

Model: 991-16

Model life 2017&gt;&gt;

## Model Overview Sales Type

Sales term	Description	Mounting time	Remark
991110	991 II Carrera Coupe	05/16	
991111	991 II Carrera Coupe	05/16	
991120	991 II Carrera S Coupe	05/16	
991121	991 II Carrera S Coupe	05/16	
991140	991 II Carrera GTS Coupe	05/16	
991141	991 II Carrera GTS Coupe	05/16	
991150	991 Coupe T	05/16	
991151	991 Coupe T	05/16	
991310	991 II Carrera Cabrio	05/16	
991311	991 II Carrera Cabrio	05/16	
991320	991 II Carrera S Cabrio	05/16	
991321	991 II Carrera S Cabrio	05/16	
991340	991 II Carrera GTS Cabrio	05/16	
991341	991 II Carrera GTS Cabrio	05/16	
991410	991 II Carrera 4 Coupe	05/16	
991411	991 II Carrera 4 Coupe	05/16	
991420	991 II Carrera 4S Coupe	05/16	
991421	991 II Carrera 4S Coupe	05/16	
991440	991 II Carrera 4 GTS Coupe	05/16	
991441	991 II Carrera 4 GTS Coupe	05/16	
991510	991 II Targa	05/16	
991511	991 II Targa	05/16	
991520	991 II Targa S	05/16	
991521	991 II Targa S	05/16	
991540	991 II Targa GTS	05/16	
991541	991 II Targa GTS	05/16	
991610	991 II Carrera 4 Cabrio	05/16	
991611	991 II Carrera 4 Cabrio	05/16	
991620	991 II Carrera 4S Cabrio	05/16	
991621	991 II Carrera 4S Cabrio	05/16	
991640	991 II Carrera 4 GTS Cabrio	05/16	
991641	991 II Carrera 4 GTS Cabrio	05/16	

Model: 991-16

Model life 2017>>

Model Overview EC

EC	Sales term	LTR	KW	Hp	Cyl	Mounting time	Remark
AB03		3,80	294	399	6	05/16-05/17	
AB04		3,40	257	349	6	05/16-05/17	
DCH		3,00	309	420	6	05/16	
DCHA		3,00	309	420	6	05/16	
DCJ		3,00	331	450	6	05/17	
DCJA		3,00	331	450	6	05/16	
DCK		3,00	272	369	6	05/17	
DCKA		3,00	272	369	6	05/16	
DPEA		3,00	331	450	6	05/15	MA202 OPF

**Model: 991-16****Model life 2017>>**

## Model Overview TC

TC	Sales term	Type	Mounting time	Remark
CG105		7C	05/16-05/17	
CG110		7C	05/16	
CG115		7C	05/16	
CG135		7C	05/16-05/17	
CG140		7C	05/16	
G9105		7S	05/16	
G9106		7S	05/16	
G9135		7S	05/16	

Model: 991-16 Model life 2017>>

VIN-Numbers Overview

Model year	Date	VIN	Remark
2017	01.06.2016	99-HS100061	>99-HS106000 991
2017	01.06.2016	A9-HS106061	>A9-HS110000 991 (USA, CDN)
2017	01.06.2016	99-HS138061	>99-HS141000 991 Cabrio
2017	01.06.2016	99-HS110061	>99-HS122000 991 S
2017	01.06.2016	A9-GS122061	>A9-GS130000 991 S (USA, CDN)
2017	01.06.2016	99-HS143061	>99-HS154000 991 S Cabrio
2017	01.06.2016	99-HS133061	>99-HS136000 991 S Targa
2017	01.06.2016	99-HS130061	>99-HS132000 991 Targa
2017	01.06.2016	A9-HS132061	>A9-HS133000 991 Targa (USA, CDN)
2017	01.06.2016	99-HS122061	>99-HS130000 991 S (CN, MEX, BR, KOR)
2017	01.06.2016	99-HS154061	>99-HS160000 991 S Cabrio (CN, MEX, BR, KOR)
2017	01.06.2016	A9-HS154061	>A9-HS160000 991 S Cabrio (USA, CDN)
2017	01.06.2016	99-HS106061	>99-HS110000 991 (CN, MEX, BR, KOR)
2017	01.06.2016	99-HS141061	>99-HS143000 991 Cabrio (CN, MEX, BR, KOR)
2017	01.06.2016	99-HS132061	>99-HS133000 991 Targa (CN, MEX, BR, KOR)
2017	01.06.2016	A9-HS136061	>A9-HS138000 991 S Targa (CN, MEX, BR, KOR)
2017	01.06.2016	A9-HS136061	>A9-HS138000 991 S Targa (USA, CDN)
2017	01.06.2016	A9-HS141061	>A9-HS143000 991 Cabrio (USA,CDN)
2018	01.06.2017	99-JS100061	>99-JS105000 991
2018	01.06.2017	A9-JS105061	>A9-JS110000 991 (USA, CDN)
2018	01.06.2017	99-JS136061	>99-JS138000 991 Cabrio
2018	01.06.2017	99-JS110061	>99-JS122000 991 S / GTS
2018	01.06.2017	A9-JS122061	>A9-JS128000 991 S / GTS (USA,CDN)
2018	01.06.2017	99-JS140061	>99-JS147000 991 S / GTS Cabrio
2018	01.06.2017	99-JS130061	>99-JS134000 991 S / GTS Targa
2018	01.06.2017	99-JS128061	>99-JS129000 991 Targa
2018	01.06.2017	A9-JS129061	>A9-JS130000 991 Targa (USA, CDN)
2018	01.06.2017	99-JS105061	>99-JS110000 991 (CN, MEX, BR, KOR)
2018	01.06.2017	99-JS138061	>99-JS140000 991 Cabrio (CN, MEX, BR, KOR)
2018	01.06.2017	99-JS129061	>99-JS130000 991 Targa (CN, MEX, BR, KOR)
2018	01.06.2017	A9-JS138061	>A9-JS140000 991 Cabrio (USA,CDN)
2018	01.06.2017	99-JS122061	>99-JS128000 991 S/GTS (CN,MEX,BR,KOR)
2018	01.06.2017	A9-JS147061	>A9-JS151000 991 S/GTS Cabrio (USA,CDN)
2018	01.06.2017	99-JS147061	>99-JS151000 991 S/GTS Cabrio (CN,MEX,BR,KOR)
2018	01.06.2017	A9-JS134061	>A9-JS136000 991 S/GTS Targa (USA,CDN)
2018	01.06.2017	99-JS134061	>99-JS136000 991 S/GTS Targa (CN,MEX,BR,KOR)
2019	01.06.2018	99-KS100001	>99-KS103000 991
2019	01.06.2018	A9-KS103001	>A9-KS109000 991 (USA, CDN)

**Model: 991-16 Model life 2017>>**

2019	01.06.2018	99-KS127001	>99-KS129000	991 Cabrio
2019	01.06.2018	99-KS109001	>99-KS114000	991 S / GTS
2019	01.06.2018	A9-KS114001	>A9-KS118000	991 S / GTS (USA,CDN)
2019	01.06.2018	99-KS131001	>99-KS136000	991 S / GTS Cabrio
2019	01.06.2018	99-KS122001	>99-KS125000	991 S / GTS Targa
2019	01.06.2018	99-KS118001	>99-KS120000	991 Targa
2019	01.06.2018	A9-KS120001	>A9-KS122000	991 Targa (USA, CDN)
2019	01.06.2018	99-KS103001	>99-KS109000	991 (CN, MEX, BR, KOR)
2019	01.06.2018	99-KS129001	>99-KS131000	991 Cabrio (CN, MEX, BR, KOR)
2019	01.06.2018	99-KS120001	>99-KS122000	991 Targa (CN, MEX, BR, KOR)
2019	01.06.2018	A9-KS129001	>A9-KS131000	991 Cabrio (USA,CDN)
2019	01.06.2018	99-KS114001	>99-KS118000	991 S/GTS (CN,MEX,BR,KOR)
2019	01.06.2018	A9-KS136001	>A9-KS136000	991 S/GTS Cabrio (USA,CDN)
2019	01.06.2018	99-KS136001	>99-KS138000	991 S/GTS Cabrio (CN,MEX,BR,KOR)
2019	01.06.2018	A9-KS125001	>A9-KS127000	991 S/GTS Targa (USA,CDN)
2019	01.06.2018	99-KS125001	>99-KS127000	991 S/GTS Targa (CN,MEX,BR,KOR)

**Model: 991-16****Model life 2017>>**

## Engine Numbers

Engine number	Model year	Vehicle type	Engine type
__C 00501>60000	2017	991 S	AB03
_ C 00501>60000	2017	991	AB04
__C 00501>60000	2017	991 S HP C33	DCH
__C 00501>60000	2017	991 S HP	DCHA
__C 00501>60000	2017	991 S HP	DCJA
__C 00501>60000	2017	991 LP	DCKA
__C 00501>60000	2018	991 S HP C33	DCH
__C 00501>60000	2018	991 S HP	DCHA
__C 00501>60000	2018	991 S HP C33	DCJ
__C 00501>60000	2018	991 S HP	DCJA
__C 00501>60000	2018	991 LP C33	DCK
__C 00501>60000	2018	991 LP	DCKA

**Model: 991-16****Model life 2017>>**

## Transmission Numbers

Transmission Number	Model year	Vehicle type	Gearbox type
CG105 1 002001>999999	2017	991 C2 PDK	CG105
CG110 1 002001>999999	2017	991 C2 PDK S/GTS	CG110
CG115 1 002001>999999	2017	991 C2 PDK Basis	CG115
CG135 1 002001>999999	2017	991 C4 PDK	CG135
CG140 1 002001>999999	2017	991 C4 PDK	CG140
G9105 1 002001>999999	2017	991 C2 Schalt S/GTS	G9105
G9106 1 002001>999999	2017	991 C2 Schalt Basis	G9106
G9135 1 002001>999999	2017	991 C4 Schalt	G9135
CG110 1 002001>999999	2018	991 C2 PDK S/GTS	CG110
CG115 1 002001>999999	2018	991 C2 PDK Basis	CG115
CG140 1 002001>999999	2018	991 C4 PDK	CG140
G9105 1 002001>999999	2018	991 C2 Schalt S/GTS	G9105
G9106 1 002001>999999	2018	991 C2 Schalt Basis	G9106
G9135 1 002001>999999	2018	991 C4 Schalt	G9135

Model: 991-16

Model life 2017&gt;&gt;

NR	Description
008	Basic 981/991
009	"s" 981/991
011	Special model GTS (981/991)
012	Special model China Style Edition
013	Special model Black Edition
014	Special model "50 years 911"
019	Special model 911 Carrera 4 GTS
022	Black-coloured instrument dials, instrument cluster
023	Silver -coloured instrument dials, instrument cluster
024	Version for Greece
025	Black-coloured instrument dials, stopwatch
026	Silver-coloured instrument dials, stopwatch
027	Instrument cluster dials, Carmine Red
029	Standard chassis
030	Sports suspension
031	Sports chassis with PASM and PDCC
032	Touring suspension
034	Version for Italy
037	911 T
058	Impact absorbers, front and rear
061	Version for Great Britain
062	sweden version
063	Version Luxemburg
064	Version for Netherlands
065	Version for Denmark
066	Version for Norway
067	Version for Finland
068	PAP right-hand drive version
069	Other country version
070	Pedestrian protection
071	EU country version
072	Version for Mexico
073	Version for Russia
074	PAP left-hand drive version
075	Chinese version
082	Fuel tank, 90-litre
086	Korea version
090	Communications package for the interior
098	Left-hand drive version
099	Right-hand drive version
111	Version for Austria
113	Version for Canada
114	Version for Taiwan
119	Version for Spain
124	Version for France
126	Control and indications in French lettering



Model: 991-16

Model life 2017&gt;&gt;

NR	Description
127	Control and indications in Swedish lettering
130	Control and indications in English lettering
140	Dynamic engine mounts (PADM)
145	Compression variant
147	Carrera power kit
150	Operation with leaded gas
153	Middle radiator
160	EU4 emissions concept without EOBD
165	Emission standard EU5
170	Acoustic package RoW
171	Acoustic package USA
172	Acoustic package PAP, China, Korea
176	Sports exhaust system
178	Twin tailpipes, Black
181	Standard climatic zones
182	Hot country
183	Super hot country
193	japan version
194	Battery, 60 Ah
195	Battery, 70 Ah
196	Battery, 80 Ah
197	Stronger battery
198	Enhanced starter motor (1.7 kW)
199	Battery disconnection switch
200	95 Ah battery
209	Licence plate holder version 1
210	Licence plate holder version 2
211	Licence plate holder version 3
215	Version for Saudi Arabia
218	Licence plate holder version 4
219	Differential
220	Locking differential 40 %
221	PTV Plus, el. controlled rear-diff. lock
225	Version for Belgium
250	PDK transmission (dual clutch)
254	Manually retractable exterior mirrors
255	Manually retractable exterior mirrors with memory
256	Manually retractable exterior mirrors, with automatic dimming
257	Manually retractable exterior mirrors, with automatic dimming and memory
258	Electrically retractable exterior mirrors
259	Electrically retractable ext. mirrors with memory
260	Electrically retractable exterior mirrors with automatic dimming
261	Electrically retractable exterior mirrors

Model: 991-16

Model life 2017&gt;&gt;

NR	Description
	with automatic dimming and memory
263	Left exterior mirror glass, flat
264	Left exterior mirror glass, convex
265	Automatic anti-dazzle interior mirror with rain sensor
266	Automatic anti-dazzle door mirror
267	Automatically dimmable interior and door mirrors
268	Rain sensor
270	Door mirrors -flat - driver's side, electrically adjustable and heatable
271	Door mirrors -aspherical- driver's side, electrically adjustable and heatable
273	Door mirrors, electrically adjustable and heatable
274	Vanity mirror, illuminated
275	Manual anti-dazzle interior mirror
276	Automatic anti-dazzle interior mirror
277	Swiss version
284	Right exterior mirror glass, convex
285	Right exterior mirror glass, aspherical
288	Headlamp washer
301	Transmission ratio long
305	Gear lever in Alcantara, Black
310	PDK gear selector EXC
313	Sports seat, left, manual, 2-way
314	Sports seat, right, manual, 2-way
315	Sports seat, left, partially electrical, 4-way
316	Sports seat, right, partially electrical, 4-way
317	Sports seat Plus, left, manual, 2-way
318	Sports seat Plus, right, manual, 2-way
319	Sports seat Plus, left, partially electrical, 4-way
320	Sports seat Plus, right, partially electrical, 4-way
321	Sports seat, left, electrical, 14-way
322	Sports seat, right, electrical, 14-way
323	Sports seat Plus, left, electrical, 18-way
324	Sports seat Plus, right, electrical, 18-way
325	Version for South Africa/New Zealand

Model: 991-16

Model life 2017&gt;&gt;

NR	Description
335	Automatic seat belt, 3-point, rear
338	Rear-wheel drive
339	All-wheel drive
340	Wheel rims painted in basic colour
342	Seat heating, left/right seat
344	Rim painted in silky-gloss Black
345	Heated steering wheel
346	Rims, painted Silver
352	Electronic damper control for PASM and PDCC
369	Standard seat, left
370	Standard seat, right
375	Sports seat, backrest shell, left
376	Sports seat, backrest shell, right
377	Sports seat, backrest shell, left, electrically adjustable
378	Sports seat, backrest shell, right, electrically adjustable
388	Sports bucket seat, left
389	Sports bucket seat, right
392	17-inch Carrera wheel
393	17-inch Boxster II wheel (987)
397	18-inch Boxster S wheel (987)
398	19" Cayman S wheel
401	18-in. Cayman S wheel
402	Carrera 3 wheel 18-inch
403	Carrera S wheel 19-inch
404	19" Turbo-1 wheel
405	Carrera Classic wheel 19-inch
406	Carrera GT wheel 19-inch/20-inch
407	SportDesign wheel 19-inch
410	18" Turbo-2/Panamera wheel
411	18-inch Carrera wheel -->2005 19-inch Carrera wheel 2012-->
414	Carrera S Facelift 18" wheel
415	18-inch Turbo-Look II wheel
416	18-inch GT3 wheel
418	18-inch Turbo II wheel in GT Silver
419	Carrera S Facelift 19" wheel
421	Turbo 2 wheel, 19"
422	Turbo wheel, 19", central lock
423	20-inch Carrera S wheel (III)
424	CD storage unit
425	Rear window wiper
426	Without rear window wiper
427	20-inch Carrera Classic wheel (II)

Model: 991-16

Model life 2017&gt;&gt;

NR	Description
428	20-inch Sport Design wheel (II)
429	20" 911 Turbo III wheel
430	GT3 wheel, 19", central lock
431	Multi-function steering wheel, touch + feel
432	19" Carrera wheel (6)
433	20" Carrera S wheel (4)
435	911 Turbo S wheel, 20" central lock
436	3-spoke airbag steering wheel
437	Comfort seat, left, electrically adjustable
438	Comfort seat, right, electrically adjustable
439	20" 911 Turbo 4 wheel
440	Antenna diversity
441	Basic sound package
444	Anti-theft lock, wheel bolts "THATCHAM"
446	Concave wheel centers with full-colour Porsche Crest
447	Emergency wheel
448	Brake pad; sport version
449	911 Turbo Sport 3 20" wheel
450	Ceramic brake (PCCB)
451	Multi-function steering wheel, Makassar Ebony, touch + feel
452	Multi-function steering wheel, Sycamore, touch + feel
453	Multi-function steering wheel, Carbon, touch + feel
454	Automatic speed control
456	Automatic distance control (ACC)
457	Lane change assist
459	3-spoke airbag steering wheel, touch + feel
460	20" RS Spyder Design wheel
461	External antenna
465	Rear fog light, left
466	Rear fog light, right
470	Rear-axle steering
474	Front-axle lift function
475	"PASM" electronic damper control
476	Porsche Stability Management (PSM)
477	PASM w/o lowering
478	Central wheel lock
479	Version for Australia
480	6-speed manual transmission
482	Tire Pressure Monitoring TPM, 433 MHz
483	315-MHz TPM, Tire Pressure Monitoring
484	Version for USA
487	7-speed manual transmission

Model: 991-16

Model life 2017&gt;&gt;

NR	Description
488	Inscriptions in German language
489	Multi-function operation + steering wheel heating
490	Sound system "ASK"
492	Headlights for left-hand traffic
493	Balance weights, Black
497	Deletion of model designation and Porsche logo
498	Deletion of model designation on rear end
499	Version for Germany
501	Car cover
509	Fire extinguishers
513	Lumbar support, right seat
514	GTS logo with model designation in Silver
515	GTS logo with model designation in Black
521	Tilt sensor
523	Immobiliser, 434 MHz
524	Immobilizer, central locking, 433 MHz
525	Immobilizer, central locking, 315 MHz
528	Door mirror, standard
529	SportDesign exterior mirror
532	Alarm system remote control omitted
533	Radio convertible-top operation omitted
534	Theft security system, 433 MHz
535	Theft security system, 315 MHz
536	-07 Alarm siren and tilt sensor 08- Alarm siren
537	Seat position control for comfort seat, left
538	Seat position control for comfort seat, right
539	Mechanical seat height adjustment, left
540	Mechanical seat height adjustment, right
541	Active seat ventilation (incl. heated seats)
542	Active seat ventilation, front and rear (incl. heated seats)
544	Anti-theft protection without infrared monitoring, 433 MHz
545	Anti-theft protection without infrared monitoring, 315 MHz
549	Roof Transport System
550	Hardtop
551	Wind deflector
552	Electric wind deflector
553	Version for USA, Canada
554	Front spoiler lip included
555	Black seat belts

Model: 991-16

Model life 2017&gt;&gt;

NR	Description
557	Seat belts in contrasting colours
559	High-gloss mouldings
560	Advanced airbag
562	Airbag, driver's side and front passenger's side
563	Side airbag
566	Front fog lights, white
567	Windscreen tinted, upper part darker coloured
568	Windscreen without shade band
571	Activated charcoal filter
572	Manual air-conditioning system
573	Air conditioner
574	No air conditioning
575	Luggage compartment cooling system
581	Centre console, front
583	Smoker package
584	Storage box on engine cover
586	Lumbar support, left seat
590	Steel doors
594	Alcantara rooflining
599	Aluminium doors
601	Xenon lighting system
602	LED headlights with dynamic cornering light Plus (PDLs Plus)
603	Xenon plus dynamic cornering light
605	LED daytime driving lights
606	Daytime driving lights
607	Garage door opener "Homelink", 315 MHz
608	Garage door opener "Homelink" 433 MHz
610	DVD navigation, "Europe package"
611	DVD navigation South Africa
612	DVD navigation middle east
613	DVD navigation australia
614	DVD navigation asia-pacific
615	DVD navigation system, North America
616	DVD, Navigation Russia
617	DVD Navigation China
618	Phone preparation
619	Mobile phone preparation (BLUETOOTH) without console
621	12-V socket, passenger's side, footwell
625	"KESSY" Porsche Entry and Drive
630	Interior light package
631	Traffic sign recognition
632	PDLs+ dynamic high beam
634	ParkAssist (front and rear) with camera (LOW)

Model: 991-16

Model life 2017&gt;&gt;

NR	Description
635	Park distance control
636	Park distance control in front and rear
638	ParkAssist, front, rear and reversing camera
639	Sport Chrono package
640	Sport Chrono Plus package
641	electronic log book
642	Start/Stop function
647	Steering column, mechanically reach/height-adjustable, without ELV
648	Steering column, electrically reach/height-adjustable, without ELV
650	Electrical sliding roof
651	External sliding roof
652	Without sliding/tilting roof
653	External-sliding glass sunroof
655	Steering column with mech. reach/height adjustment
656	Steering column with electric reach/height adjustment and memory
657	Power steering
658	Servotronic
659	on-board computer
660	Obd 2
661	Stricter emission-control concept
663	Fuel pump activation
664	Orvr
665	-2008 PCM 2, 2009- PCM 3 basic module incl. radio
666	-2008 PCM 2, 2009- PCM 3 telephone (GSM)
668	PCM2 telephone handset
669	PCM 3 - Telephone handset (BLUETOOTH)
670	PCM2 navigation
671	Voice control system
672	-2008 PCM 2, 2009- PCM 3 Offroad navigation
673	Navigation system preparation, China
674	"Vehicle Tracking System" preparation
675	Without radio preparation (Japan navigation system)
676	TV tuner
677	"Driver card" antenna
678	Alarm system connection
679	Restart inhibitor
680	BOSE sound package
682	Top Premium sound system
685	Rear seat assembly
686	SAT radio reception XM (SDARS)
688	HD radio reception
689	Preperation for CD autochanger

Model: 991-16

Model life 2017&gt;&gt;

NR	Description
690	SDARS + HD radio reception
691	Digital radio reception DAB
692	CD autochanger "Porsche"
693	Integrated CD/DVD autochanger
694	CD radio "PORSCHE CDR 24"
696	CD radio, Porsche CDR 31
697	CD radio "Porsche CDR-23"
711	Omission underbody protection
712	Deletion of GTS logo
713	Omission of rear seat assembly
751	PCCB, front axle and rear axle 3K
752	PCCB, front axle MFF / rear axle 3K
756	Special model "911 Sport Classic"
788	Painted plastic components, door panel
789	Colour to sample
796	Full leather trim natural leather
798	Full leather trim special leather
799	Full leather trim by choice
801	Makassar Ebony wood package, dark (matt satin finish)
802	Sycamore package, light (matt satin finish)
803	Carbon package
804	GT2 Carbon exterior package
805	Lifestyle package
809	Centre console trim, brushed aluminium, Black
810	foot mats
811	without door panel trim
812	Door panel trim, galvanised
815	Door panel trim, brushed aluminium, Black
829	Transmission speed sensor
840	Sports steering wheel (for PDK with paddle)
841	Basic steering wheel Smooth leather
843	Sports steering wheel in Alcantara
844	Multi-function steering wheel Smooth leather
845	Multi-function steering wheel Carbon
847	Multi-function steering wheel Makassar
852	PDLs+ High beam assist
855	Sports steering wheel in leather, basic
858	Sports steering wheel GT, leather
859	Additional engine cooling measure
870	Universal multimedia interface
893	Decorative dashboard trim, brushed aluminium, Black
896	Decorative dashboard trim, Black
897	Zierblende Türtafel lackiert schwarz
899	Isifix child-seat restraint on front passenger side
911	Model designation 911



Model: 991-16

Model life 2017&gt;&gt;

NR	Description
912	without identification plate
931	Rear seat covers in Alcantara/leatherette
932	Rear seat covers in Alcantara/leather
933	Rear seat covers in fabric/leather
936	Seat covers, rear, leather
937	Seat covers, rear, leatherette
939	Seat covers, rear, draped leather
940	Seat covers rear, ruff.leather/leather/leatherette Soft ruffled leather, embossed
946	Seat covers, front, leather/leather/leatherette
948	Front seat covers in fabric/leather/leather
950	Alcantara seat covers, front
951	Seat covers front, Alcantara/leather/leather
970	Two-tone interior
971	"TORO" embossed leather
980	Leather package
981	Leather equipment, without seat covers
982	Seat covers, front, draped leather/leather/leather
983	Seat covers, front, leather
985	Seat covers, leather/leather/leatherette, 2
990	Seat covers, front, cloth/cloth/leatherette
991	Steering wheel airbag module in leather
998	Leather, natural
999	Passenger compartment monitoring sensor for leather colour of choice
ALC	Alcantara interior
ER1	Regional code "ECE" for radio
ER2	Regional code "RdW" for radio
ER3	Region code "USA" for radio
ER4	Region code "Mexico/NAR2" for radio
ER5	Region code Japan for radio
ER6	Regional code "China" for radio
ER7	Regional code "Korea" for radio
ER8	Regional code "Taiwan" for radio
ER9	Regional code "Rest of Asia" for radio
GB1	Compensator, EU/ROW
GB2	Compensator, NAR
GB3	Compensator, China
IY0	Model year period from week 01 to week 22
IY1	Model year period from week 22 to week 45
IY2	Model year period from week 45 to week 22
I8L	Premium radio (2nd gen.)
KK1	Refrigerant R134a
KK3	Refrigerant R1234yf

Model: 991-16

Model life 2017&gt;&gt;

NR	Description
NZ3	ERA/GLONASS (emergency call)
QR0	Without compass
QR4	Sport Chrono package
QR5	Sport Chrono Package Plus
QU1	TV reception + digital radio reception (DAB) MIB
QU8	SAT radio reception, USA
QV0	Without TV and digital radio reception
QV1	With TV reception
QV3	HD radio reception (high-definition)
UI2	2 X USB/IPOD interface
UI4	Electrical interface for external use, USB and iPod
UX6	TPM valve, Silver
UX7	TPM valve, Black
XAA	Aerokit Cup
XAF	Turbo aerokit
XAG	Carrera - rear spoiler
XAH	Carrera 4S aerokit
XAJ	Painted sill covers
XAS	Sport Design front apron
XAT	SportDesign package
XAX	Rear lid slats painted
XCA	Dashboard trim strip (3-part) sports seats
XCB	Instrument surround sports seats
XCC	Side air vents sports seats
XCD	Center air vent bracket sports seats
XCE	Rear center console sports seats
XCG	Sports seat backrest in Aluminium Look finish
XCH	Side/centre air vent slats, sports seats
XCK	Rear center console in Galvano Silver
XCL	Instrument surround in Galvano Silver
XCN	Side air vents in Aluminium Look finish (997)
XCW	Aluminium Look trim on belt opening in B-pillar
XCX	Center air vent in Aluminium Look finish
XCZ	Short shifter
XDA	Wheel spokes painted Black
XDG	Rims painted in high-gloss Black
XDH	Wheel centre painted in Platinum
XDJ	Decorative trim on gear lever/selector, painted
XDK	Silky gloss rims, Black Matt
XDL	Rims painted Jet Black Metallic
XDM	Decorative dashboard trim, painted
XDP	Instrument cluster frame, painted
XDR	Painted trim on belt opening in B-pillar
XDS	Ignition lock surround in leather
XDU	Leather trim on belt opening in B-pillar
XDV	Dashboard end-trim in leather

Model: 991-16

Model life 2017&gt;&gt;

NR	Description
XDX	Mirror attachment point finisher, leather
XDZ	Selector lever cover in leather
XD9	Wheel painted in body colour
XEA	Passive handset in leather
XES	Preparation, illuminated door entry guard
XEX	Headlights, Black
XEY	LED headlights, dynamic Cornering light
XE8	Gear lever knob aluminium/dark burr maple/leather
XE9	Handbrake lever aluminium/dark burr maple/leather
XFB	Instrument dials painted Bordeaux Red
XFD	Instrument dials in Sand Beige
XFE	Instrument dials in Terracotta
XFF	Instrument dials in Brown/Natural
XFG	Instrument dials in Guards Red
XFH	Instrument dials in Speed Yellow
XFJ	Instrument dials in Carrara White
XFL	Instrument dials painted in Luxor Beige
XFP	Handbrake lever Aluminium II
XFR	Instrument dial painted Racing Yellow
XGB	Decorative dashboard trim, carbon
XGC	Dashboard carbon/Alcantara
XGD	Parking brake handle carbon/Alcantara
XGE	Handle recess insert, carbon
XGK	Stopwatch dials, Luxor Beige
XGL	Stopwatch dials, Racing Yellow
XGM	Stopwatch dials, White
XGN	Stopwatch dials, Guards Red
XGP	Stopwatch dials, Bordeaux Red
XHB	Centre console trim in leather
XHC	Shift lever in mahogany
XHD	PDK selector lever in mahogany
XHE	Dashboard trim panel in mahogany
XHF	Multi-function steering wheel in mahogany
XHG	Centre console trim in mahogany
XHH	Shift lever, carbon
XHJ	PDK selector lever, carbon
XHL	Multi-function steering wheel, carbon
XHM	Centre console trim, carbon
XHN	Seat belts in Racing Yellow
XHP	Seat belts in Luxor Beige
XHS	Rear centre tunnel in leather
XHU	Seat belts in Bordeaux Red
XHV	Multi-function sports steering wheel, Mahogany
XHW	Multi-function sports steering wheel, Carbon
XHX	Seat belts in Chalk

Model: 991-16

Model life 2017&gt;&gt;

NR	Description
XJJ	Carbon trim on belt opening in B-pillar
XJL	Makassar Ebony side air vent
XJM	Sycamore side air vent
XJN	Makassar Ebony center air vent
XJP	Sycamore center air vent
XJR	Makassar Ebony windscreen defroster panel
XJS	Sycamore windscreen defroster panel
XJT	Makassar Ebony rear center console
XJU	Sycamore rear center console
XJW	Exterior mirror top half, Carbon
XJ4	Leather cover for ignition lock surround
XKB	Side air vent in light burr maple
XKC	Side air vent in dark burr maple
XKD	Side air vent in Carbon
XKG	"Defroster trim in light burr maple; leather"
XKH	"Defroster trim in dark burr maple; leather"
XKJ	Defroster trim in Carbon/leather
XKL	Leather speaker covers
XKM	Speaker covers in light burr maple
XKN	Speaker covers in dark burr maple
XKP	Carbon speaker covers
XKR	Center air vent bracket in light burr maple
XKS	Center air vent bracket in dark burr maple
XKW	Center nozzle bracket arctic silver
XLF	Sports exhaust system
XLG	Centre console storage bin cover in Alcantara, with logo
XLJ	Centre console lid in Alcantara with crest
XLK	SportDesign steering wheel, Alcantara
XLL	GT sports steering wheel, Alcantara
XML	Shift lever, Alcantra
XLN	PDK selector lever, Alcantra
XLP	Sports tailpipes, Black
XLT	Sports tailpipes, 997
XLU	Sun visors, Alcantara
XMA	Rooflining in leather
XME	Rear section of centre console painted
XMF	Front center console including 2 storage bins, leather
XMJ	Rear section of centre console in Carbon
XMK	Roll-over bar in exterior color
XML	Rear center console in light burr maple
XMP	Leather sun visor, 2 illuminated vanity mirrors *
XMR	Sun visor in leather, 2 illuminated vanity mirrors,
XMZ	Rear section of centre console in leather
XNB	Rear center console in dark burr maple

Model: 991-16

Model life 2017&gt;&gt;

NR	Description
XNG	Instrument surround in leather
XNN	Center air vent bracket in leather
XNR	Carbon center air vent bracket
XNS	Leather steering column trim, 4-part
XNU	Leather trim strip (dashboard)
XNV	Trim strip (dashboard) in light burr maple
XNW	Trim strip (dashboard) in dark burr maple
XNX	Carbon trim strip (dashboard)
XN3	Dashboard side air vent in leather
XPA	3-spoke sports steering wheel in leather interior co
XPB	3-spoke sports steering wheel, light burr maple, leather
XPC	3-spoke sports steering wheel, dark burr maple, leather
XPD	3-spoke sports steering wheel, Carbon/leather
XPG	3-spoke sports steering wheel, sports seats
XPL	Privacy glazing
XPR	Rear window with privacy-glazing
XPT	Centre console storage bin lid with crest
XPU	Multi-function steering wheel Galvano Silver, new generation
XPV	Multi-function steering wheel, Galvano Silver
XPW	Instrument surround in light burr maple
XPX	Instrument surround in dark burr maple *
XPY	Carbon instrument surround
XRB	18-inch Sport Classic II wheel
XRC	18-inch SportTechno wheel
XRD	20" Carrera Sport wheel
XRL	18-inch SportDesign wheel
XRN	17-mm spacers, rear
XRP	5-mm spacers, front/rear
XRR	19-in. Carrera Sport wheel
XRS	19" Sport Classic WHEEL
XRT	20-inch Sport Techno wheel
XRU	20" Sport Classic wheel
XSA	Painted sports seat backrest
XSB	Leather sports seat backrest
XSC	Porsche Crest embossed in headrest
XSD	Front seat controls in leather
XSE	Bucket seat, left
XSF	Bucket seat, right
XSG	Racing bucket seat, left
XSH	Silver seat belts
XSJ	6-point harness
XSL	6-point safety catch
XSM	Racing safety cage



Model: 991-16

Model life 2017&gt;&gt;

NR	Description
XXD	Door entry guards, carbon, illuminated
XXF	Red tail lights
XXG	Tail lights in clear glass look
XXH	Alcantara sun visor
XXJ	Alcantara interior light cover
XXK	Front seat covers in woven leather
XXL	Rear seat covers in woven leather
XXM	Without chequered flag design (seat)
XXP	Tail lights, darkened
XXT	Exclusive Design Edition
XXV	Sports-look pedals
XXZ	Footrest
XX1	Floor mats, logo, leather border
XX2	footwell light
XYA	PDK selector lever (EXC)
XYB	Fuel tank cap in Aluminium Look
XYC	Shift lever, aluminium
XYD	Dashboard trim panel, aluminium
XYE	Centre console cover, brushed aluminium
XYG	Centre console trim, painted
XYH	PDK selector lever, aluminium
XY5	Tiptronic gear selector gate in leather
XZB	Carbon centre air vent
XZD	Interior light surround in leather
X45	Instrument dial in interior color
X46	Tiptronic selector lever in aluminium/leather
X47	Gear lever knob in Carbon/leather
X50	Powerkit 331/340 kW
X51	Powerkit 250 kW
X54	Stainless steel tailpipes
X58	Handbrake lever in Carbon/leather
X69	Door entry guards in Carbon with logo
X70	Door entry guards in stainless steel with logo
X71	Instrument dial painted/Aluminium Look finish
X72	Gear lever knob aluminium/light burr maple/leather
X73	Sports chassis -20 mm, without PASM
X74	Sports suspension (exclusive)
X75	Differential lock (exclusive)
X76	Inner door sill guard, left/right
X91	Handbrake lever aluminium/light burr maple/leather
X97	Gear lever knob in aluminium/leather
X98	Handbrake lever in aluminium/leather
X99	Natural leather
1T3	First aid kit, warning triangle
7CA	Emission standard LEV 3/Tier 3 160
7CP	Emission standard EU6 AG/H/I
7CQ	Emission standard EU6 AJ/K/L

Model: 991-16

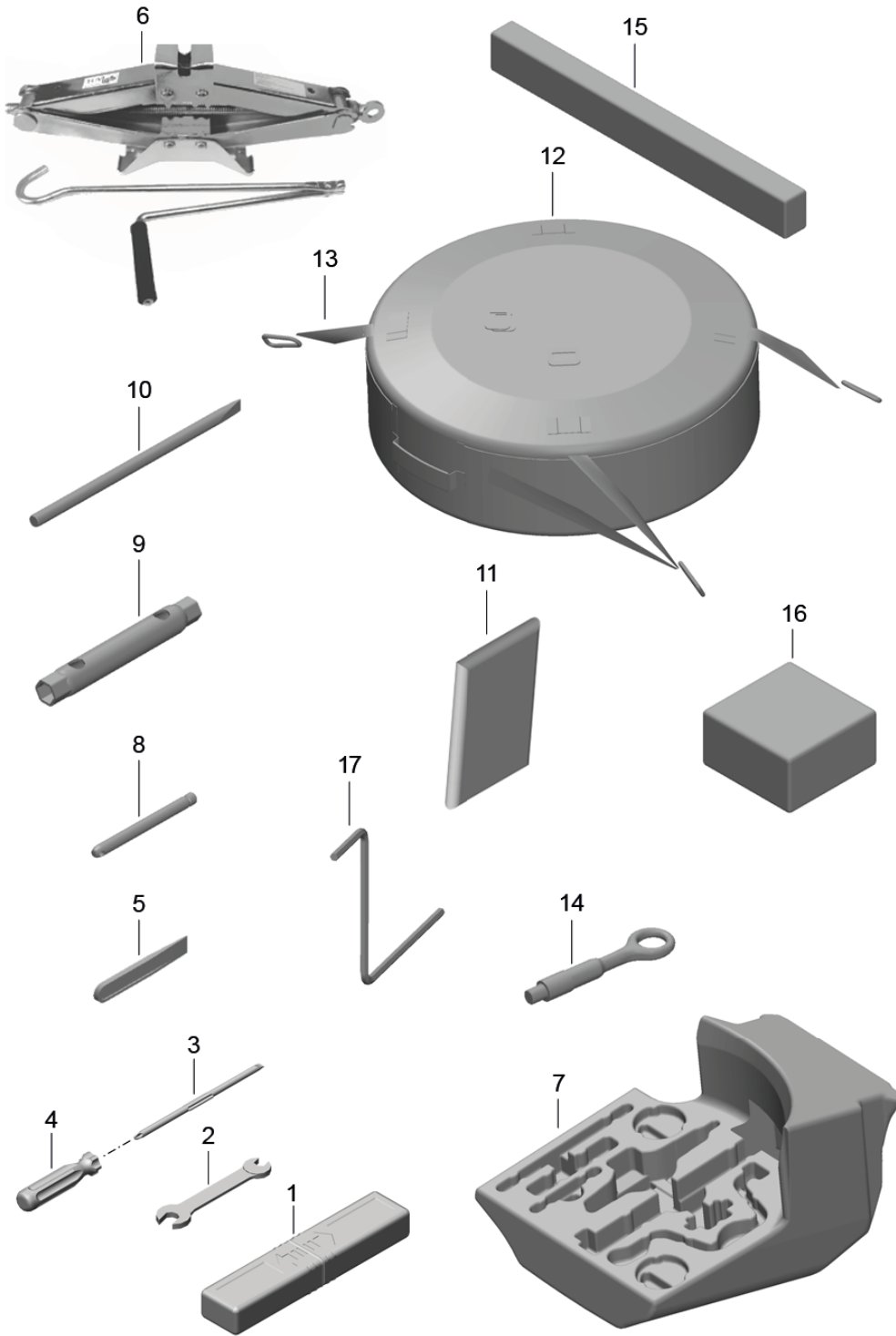
Model life 2017&gt;&gt;

NR	Description
7CR	Emissions concept C6B with RDE
7G9	VTS preparation and Porsche Car Connect (pcc)
7I0	VTS security package (incl. PCC) and keypad
7I2	VTS security package (with PCC)
7MU	Emission standard LEV 3/Tier 3 125
7MV	Emission standard EU6 ZD/E/F
7UG	Navigation device, High
77J	Navigation software Argentina
77K	Navigation software Chile
8AA	without radio
9NY	electronic log book
9VJ	Top Premium sound systemTop Premium sound system
9VK	Sound package 1/sound package
9VL	Sound package 2/High-end sound system
9ZC	Telephone module with connection box
9ZE	Mobile-phone preparation with connection box
9ZK	Telephone module
9ZX	Mobile phone preparation



Model: 991-16

Model life 2017>>



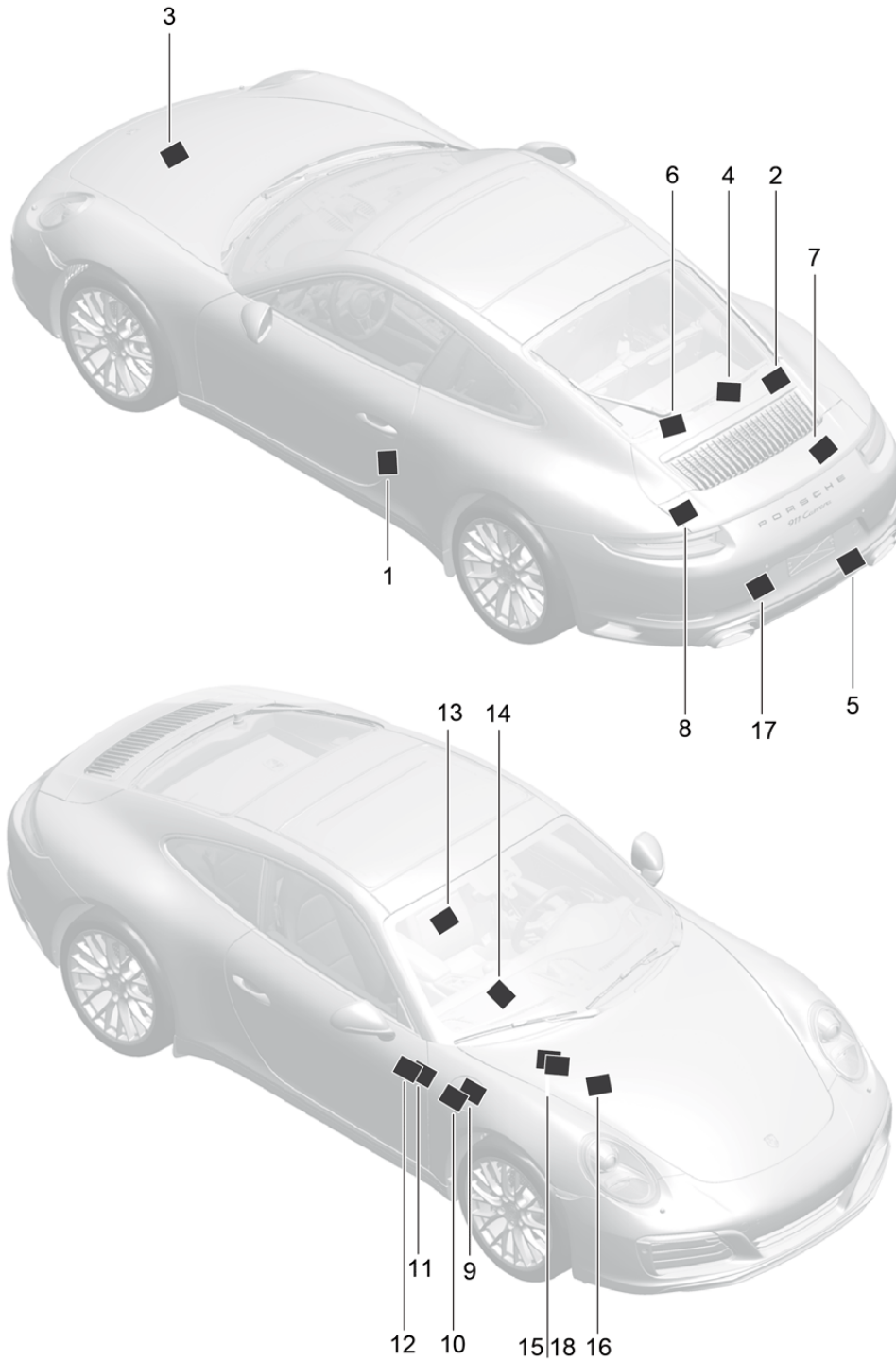
Model: 991-16

Model life 2017>>

Pos	Part Number	Description	Remark	Qty	Model
1	9P1 012 106	Tool jack Toolbox with contents comprising:		1	
2	477 012 229	Double open-ended spanner 10 X 13		1	
3	477 012 231	screwdriver Insert		1	
4	111 012 287	handle screwdriver		1	
5	991 613 299 00	Assembly tool Release Selector lever lock - PDK -		1	
6	996 721 211 00	Scissors type jack		1	PR:447
7	991 722 101 00	Foam part		1	PR:447
8	999 571 074 30	Threaded stud for Assembly Wheels		1	PR:447
9	477 012 221 A	wheel bolt wrench		1	PR:447
10	999 571 069 30	operating rod for Rim wrench		1	PR:447
11	996 361 521 00	Protective sleeve		1	PR:447
12	991 722 061 00	Cover Spare wheel		1	PR:447,-450
(12)	991 722 061 01	Cover Spare wheel		1	PR:447
13	997 722 073 00	tensioning strap Spare wheel		1	PR:447
14	970 721 551 01	Tow hitch No longer use the part here		1	
(14)	970 721 551 02	Tow hitch		1	
15	8K0 860 251	warning triangle		1	
-		Bracket warning triangle see illustration:	807-000		
16	000 722 041 01	first aid kit		1	
17	970 564 810 00	Emergency operation crank Sunroof		1	

Model: 991-16

Model life 2017>>



Model: 991-16 Model life 2017>>

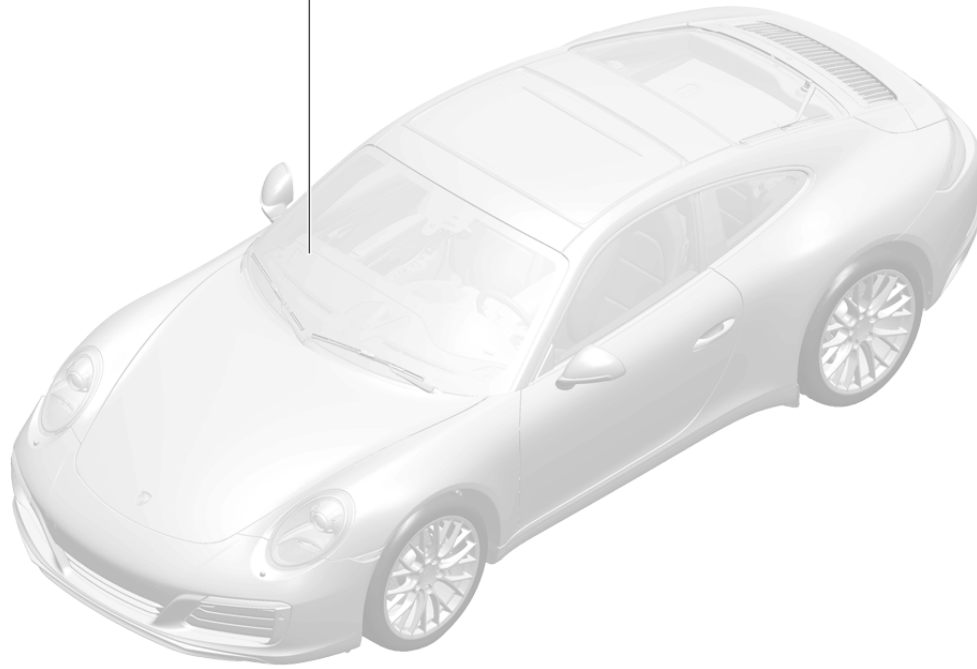
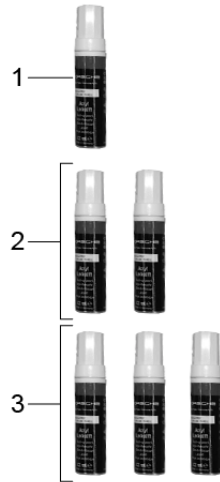
Pos	Part Number	Description	Remark	Qty	Model
-		Signs/notices		1	
1	991 701 287 00	Signs/notices Tyre pressure Data plate for tyre pressure		1	CARRERA 2/2S PR:432
1	991 701 287 01	Data plate for tyre pressure		1	CARRERA 2/2S PR:XRD,427, 433,439,460
(1)	991 701 287 02	Data plate for tyre pressure		1	CARRERA 4/4S PR:432
(1)	991 701 287 03	Data plate for tyre pressure		1	CARRERA 4/4S PR:XRD,427, 433,439,460
2	95B 010 001	Sticker Mercury		1	PR:484
3	958 701 289 01	Sticker Spare wheel		1	PR:447
5	7PP 010 001	Sticker Exhaust gas		1	PR:068
7	7PP 010 786 T	Sticker engine oil - MOBIL 1 -		1	
8	9P1 010 867 M	Sticker Reservoir		1	PR:193 "J.."
9	991 006 117 00	Sticker 98 ROZ		1	PR:-193, -075,-479
9	991 006 117 04	Sticker 98 ROZ		1	PR:075
9	991 006 117 02	Sticker 96 ROZ		1	PR:479
9	991 006 117 03	Sticker 93 RON /MON/2		1	PR:193
10	955 701 676 10	Sticker Fuel filler flap		1	PR:193
11	955 701 435 00	Warning sign Airbag		1	PR:-075, -215,-479
(11)	955 701 435 10	Warning sign Airbag		1	PR:075
(11)	955 701 435 20	Warning sign Airbag		1	PR:215
(11)	955 701 435 30	Warning sign Airbag		1	PR:479
12	970 701 523 00	Sticker Recycling		1	PR:193
14	991 701 160 00	Sticker Windbreak		1	CABRIO PR:447
15	991 701 521 00	Sticker Air conditioning		1	PR:193
16	955 701 673 00	Sticker Battery		1	PR:193
17	955 701 675 15	Sticker Import Japan		1	PR:193

Model: 991-16

Model life 2017>>

PROD.NUMMER PROD.NUMBER	888 0815
FIN VIN	WP1ZZZ12345678912
TYP TYPE	9PAAG1
MOTORKB./GETR.KB ENG.CODE/TRANS.CODE	M5502/C7050
VERTRIEBSFARBCODE SALESNO.	G1
AUSSTATTUNGSCODE INTERIOR CODE	AT
FARBCODE COLORCODE	6B8

7P5.010.732.T



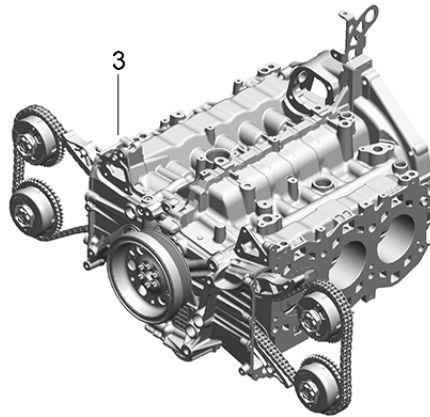
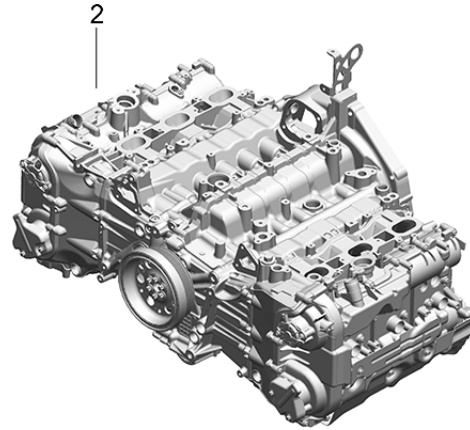
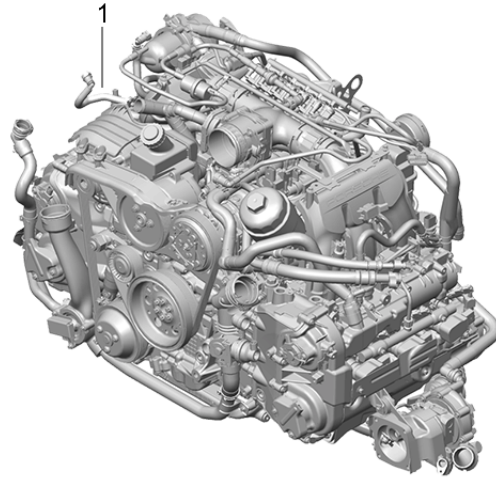
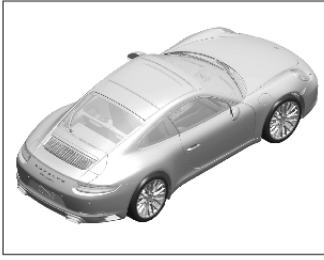
Model: 991-16

Model life 2017>>

Pos	Part Number	Description	Remark	Qty	Model
-		paint touch-up applicator Paints Paint identification label see Vehicle wallet Vehicle data carrier			
1	911 095 932 21	paint touch-up applicator		X	
	911 095 932 21 041	Black			A 1
	911 095 932 21 80K	guards red (Porsche)			G 1
	911 095 932 21 1S1	Racing Yellow			P 3
	911 095 932 21 C9A	white			O Q
	911 095 932 21 M2A	Lava Orange			H 2
	911 095 932 21 M3C	Carmine red			O L
	911 095 932 21 M5C	miami blue			J 5
2	911 095 933 21	Paint pen set Set comprising: base paint clear paint		X	
	911 095 933 21 M7Z	GT Silver Metallic			U 2
	911 095 933 21 M7S	Achat Grey Metallic			N 0
	911 095 933 21 M7U	Rhodium Silver Metallic			S 2
	911 095 933 21 C9X	Jet Black Metallic			2 T
	911 095 933 21 M5J	Sapphire Blue Metallic			N 1
	911 095 933 21 M5G	Graphite Blue Metallic			A 7
	911 095 933 21 M5F	Midnight Blue Metallic			N 5
3	911 095 933 31	Paint pen set Set comprising: Primer filler base paint clear paint		X	
	911 095 933 31 S9R	Carrara White metallic			2 Y

Model: 991-16

Model life 2017>>



Model: 991-16 Model life 2017>>

Pos	Part Number	Description	Remark	Qty	Model
		Replacement engine without: Clutch plate - PDK - Gearbox without: flywheel Manual gearbox with: Compressor Air conditioning			
1	9A2 100 927 01	Replacement engine D - MJ 2017>>	MA2.01	1	DCKA,DCK+ PR:475,477
1	9A2 100 927 01	Replacement engine D - MJ 2017>>	MA2.01	1	911 T DCKA,DCK+ PR:030
1	9A2 100 927 AX	Replacement engine D - MJ 2017>>	MA2.01	1	DCKA,DCK+ PR:475,477
1	9A2 100 927 AX	Replacement engine D - MJ 2017>>	MA2.01	1	911 T DCKA,DCK+ PR:030
1	9A2 100 930 00	Replacement engine D - MJ 2017>>	MA2.02	1	DCHA,DCH+ PR:030,475, 477,-147, -X51
1	9A2 100 930 X	Replacement engine D - MJ 2017>>	MA2.02	1	DCHA,DCH+ PR:030,475, 477,-147, -X51
1	9A2 100 970 00	Replacement engine D - MJ 2017>>	MA2.02	1	DCJA,DCJ+ PR:030,475, 477,147,X51
1	9A2 100 970 X	Replacement engine D - MJ 2017>>	MA2.02	1	DCJA,DCJ+ PR:030,475, 477,147,X51
1	9A2 100 930 01	Replacement engine D - MJ 2017>>	MA2.02	1	DCHA,DCH+ PR:031,352, -147,-X51
1	9A2 100 930 AX	Replacement engine D - MJ 2017>>	MA2.02	1	DCHA,DCH+ PR:031,352, -147,-X51
1	9A2 100 970 01	Replacement engine D - MJ 2017>>	MA2.02	1	DCJA,DCJ+ PR:031,352, 147,X51
1	9A2 100 970 AX	Replacement engine D - MJ 2017>>	MA2.02	1	DCJA,DCJ+ PR:031,352, 147,X51
1	9A2 100 970 00	Replacement engine D - MJ 2017>>	MA2.02	1	GTS DCJA,DCJ+ PR:030,475, 477,147
1	9A2 100 970 X	Replacement engine D - MJ 2017>>	MA2.02	1	GTS DCJA,DCJ+ PR:030,475, 477,147
1	9A2 100 970 01	Replacement engine D - MJ 2017>>	MA2.02	1	GTS 147
1	9A2 100 970 AX	Replacement engine D - MJ 2017>>	MA2.02	1	GTS 147
2	9A2 100 927 60	Base engine comprising: Crankcase housing Cylinder head		1	DCKA,DCK, DCHA,DCH, DCJA,DCJ+ PR:030,475,



Model: 991-16 Model life 2017>>

Pos	Part Number	Description	Remark	Qty	Model
		Valve cover Connecting rod Crankshaft piston oil pump timing chain Parts kit			477
		Gaskets	without:		
			also use:		
			9A7 003 842 00	18	
			9P1 251 263	2	
			948 107 222 00	1	
			948 107 322 00	1	
2	9A2 100 927 RX	Base engine comprising: Crankcase housing Cylinder head Valve cover Connecting rod Crankshaft piston oil pump timing chain Parts kit		1	DCKA,DCK, DCHA,DCH, DCJA,DCJ+ PR:030,475, 477
		Gaskets	without:		
			also use:		
			9A7 003 842 00	18	
			9P1 251 263	2	
			948 107 222 00	1	
			948 107 322 00	1	
-	9P1 251 261	Seal Exhaust manifolds Base engine 9A210092760/RX Parts kit for seals		2	DCKA,DCK, DCHA,DCH, DCJA,DCJ+ PR:030,475, 477
			also use:		
			946 110 228 60	6	
			999 701 187 41	6	
			9A2 110 516 00	6	
			946 110 628 60	6	
			946 110 528 60	6	
			946 110 428 60	6	
			9A2 110 328 00	6	
			999 707 643 40	1	
			9A1 106 226 03	1	
			9A1 106 559 00	1	
-	9A2 110 218 00	Seal intake air distributor Base engine 9A210092760/RX Parts kit for seals Accessories		6	DCKA,DCK, DCHA,DCH, DCJA,DCJ+ PR:030,475, 477
			also use:		
			999 707 530 40	1	
			9A1 106 215 00	2	
			9A1 106 325 00	1	
			9A1 106 326 00	1	
			9A1 102 312 40	1	
			9A1 102 322 40	2	
			999 707 604 40	2	
			999 707 589 40	2	
2	9A2 100 930 60	Base engine comprising: Crankcase housing Cylinder head		1	DCHA,DCH, DCJA,DCJ+ PR:031,352

Model: 991-16 Model life 2017>>

Pos	Part Number	Description	Remark	Qty	Model
2	9A2 100 930 RX	Valve cover Connecting rod Crankshaft piston oil pump timing chain Parts kit  without: Gaskets  also use:	9A7 003 842 00 9P1 251 263 948 107 222 00 948 107 322 00	18 2 1 1	DCHA, DCH, DCJA, DCJ+ PR:031, 352
-	9P1 251 261	Base engine comprising: Crankcase housing Cylinder head Valve cover Connecting rod Crankshaft piston oil pump timing chain Parts kit  without: Gaskets  also use:	9A7 003 842 00 9P1 251 263 948 107 222 00 948 107 322 00	18 2 1 1	DCHA, DCH, DCJA, DCJ+ PR:031, 352
-	9A2 110 218 00	Seal Exhaust manifolds Base engine 9A210093060/RX Parts kit for seals  also use:	946 110 228 60 999 701 187 41 9A2 110 516 00 946 110 628 60 946 110 528 60 946 110 428 60 9A2 110 328 00 999 707 643 40 9A1 106 226 03 9A1 106 559 00	6 6 6 6 6 6 6 1 1 1	DCHA, DCH, DCJA, DCJ+ PR:031, 352
3	9A2 100 930 50	Seal intake air distributor Base engine 9A210093060/RX Parts kit for seals Accessories  also use:	999 707 530 40 9A1 106 215 00 9A1 106 325 00 9A1 106 326 00 9A1 102 312 40 9A1 102 322 40 999 707 604 40 999 707 589 40	1 2 1 1 1 2 2 2	DCKA, DCK, DCHA, DCH, DCJA, DCJ

Model: 991-16 Model life 2017>>

Pos	Part Number	Description	Remark	Qty	Model
3	9A2 100 930 TX	Crankshaft piston oil pump timing chain Parts kit  without: Gaskets  also use:	9A7 003 842 00 9P1 251 263 999 170 154 90 948 107 222 00 948 107 322 00 9A1 107 465 01 999 707 594 40 999 707 595 40	18 2 6 1 1 1 1 1	DCKA, DCK, DCHA, DCH, DCJA, DCJ
-	9A2 104 143 01	Short block comprising: Crankcase housing Connecting rod Crankshaft piston oil pump timing chain Parts kit  without: Gaskets  also use:	9A7 003 842 00 9P1 251 263 999 170 154 90 948 107 222 00 948 107 322 00 9A1 107 465 01 999 707 594 40 999 707 595 40	18 2 6 1 1 1 1 1	DCKA, DCK, DCHA, DCH, DCJA, DCJ
-	9A2 110 218 00	Cylinder head gasket Short block 9A210093050/TX Parts kit for seals  also use:	9A2 104 144 01 946 110 228 60 999 701 187 41 9A2 110 516 00 946 110 628 60 946 110 528 60 9A2 110 328 00 946 110 428 60 999 707 643 40 9P1 251 261 9A2 105 571 00 9A2 105 581 00 9A1 106 226 03 9A1 106 559 00 000 043 207 31	1 6 6 6 6 6 6 6 2 2 1 1 1 1 X	DCKA, DCK, DCHA, DCH, DCJA, DCJ
-	9A2 110 218 00	Seal intake air distributor Short block 9A210093050/TX Parts kit for seals Accessories  also use:	999 707 530 40 9A1 106 215 00 9A1 106 325 00 9A1 106 326 00	1 2 1 1	DCKA, DCK, DCHA, DCH, DCJA, DCJ

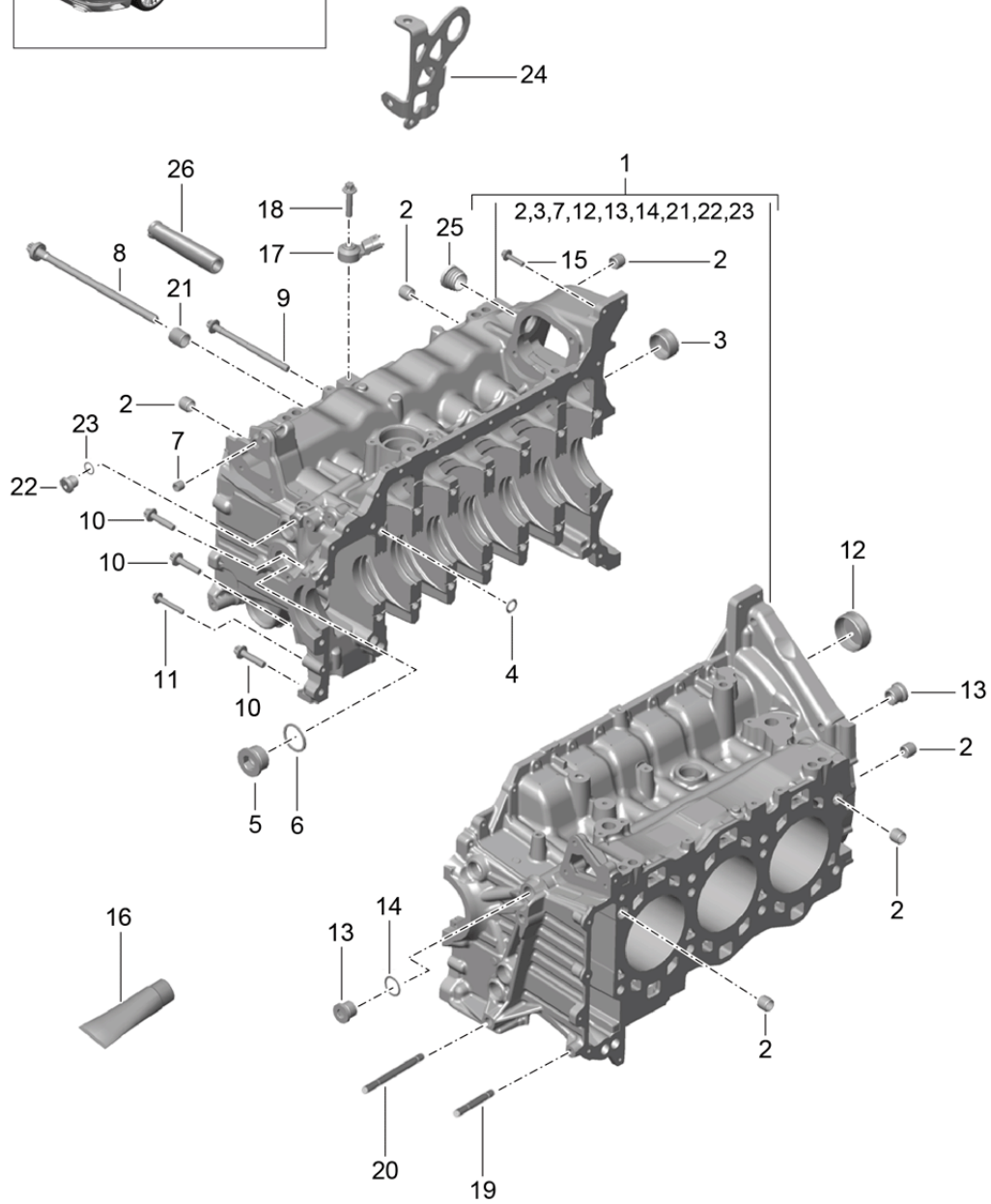
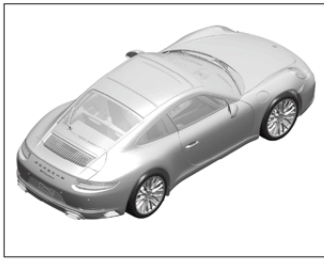
Model: 991-16

Model life 2017>>

Pos	Part Number	Description	Remark	Qty	Model
-	9A1 102 322 00	Seal thermostat housing Short block 9A210093050/TX Parts kit for seals Accessories	9A1 102 312 40 9A1 102 322 40 999 707 604 40 9A2 110 710 00 999 707 577 40 999 707 639 40 999 701 789 40	1 2 2 1 2 1 1 1	DCKA, DCK, DCHA, DCH, DCJA, DCJ
		also use:	999 707 657 40 999 707 517 40 999 707 589 40 999 707 589 40 999 707 692 40	1 2 2 2 4	

Model: 991-16

Model life 2017>>



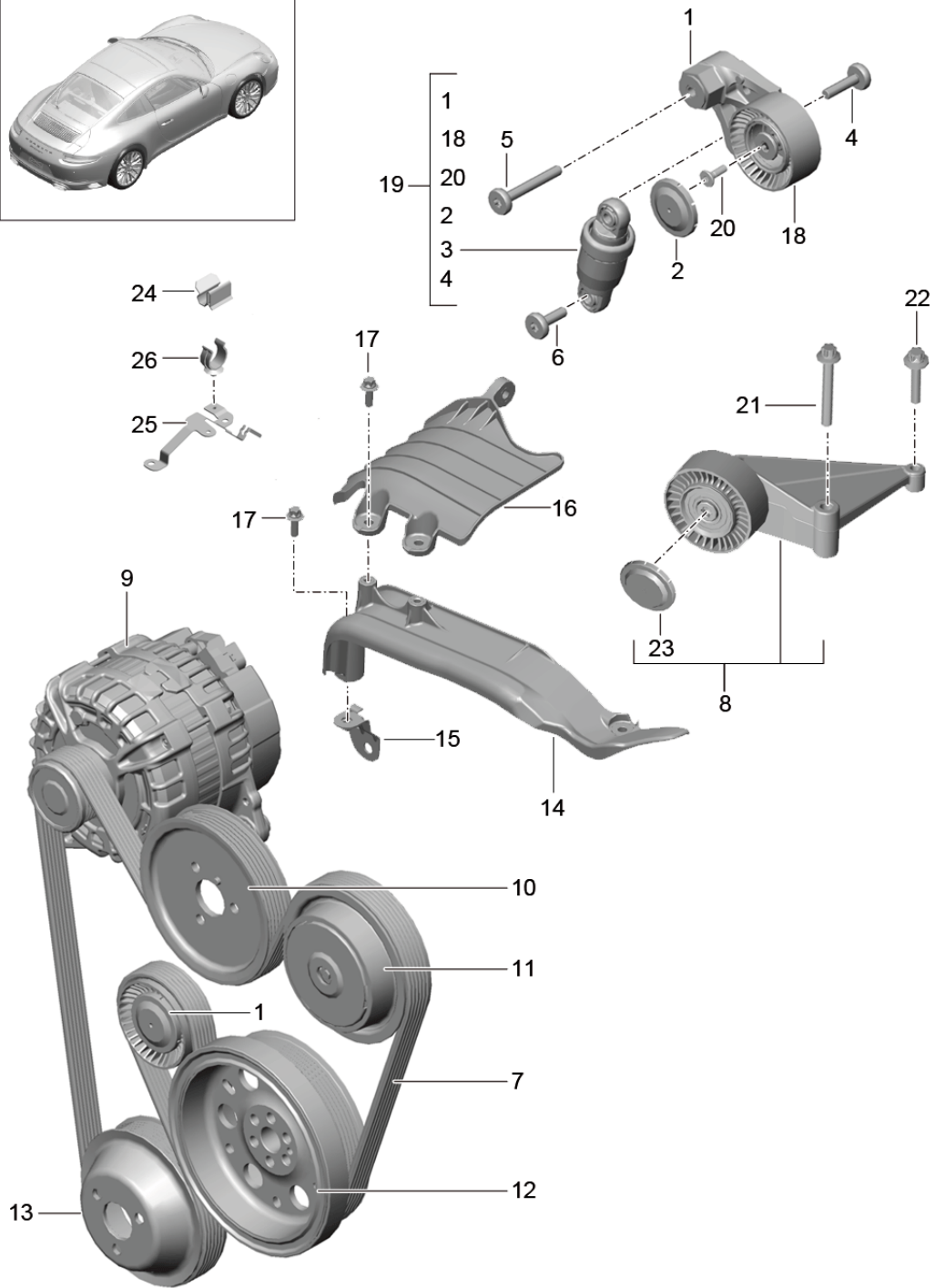
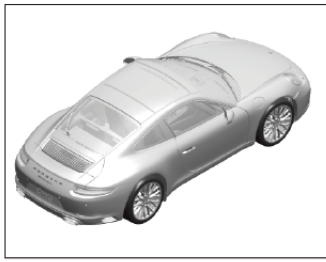
Model: 991-16

Model life 2017&gt;&gt;

Pos	Part Number	Description	Remark	Qty	Model
1	9A2 101 930 01	Crankcase housing		1	
2	014 301 153 B	Crankcase housing dowel sleeve		6	
3	9A1 101 215 01	End cap		1	
4	999 707 568 40	O-ring 12,0 X 3,0		1	
5	900 219 031 30	sealing plug M 30 X 1,5		1	
6	900 123 172 20	seal ring A 30 X 36		1	
7	999 095 063 01	dowel sleeve M 6 X 10		1	
8	9A1 101 250 01	Outer hexagon round screw M 10 X 1,5 X 195		14	
8	WHT 008 240	Bolt with washer Washer M 10 X 1,5 X 195		14	
9	900 385 281 01	Torx screw M 8 X 120		1	
10	900 385 042 01	Torx screw M 8 X 35		3	
11	900 385 045 01	Torx screw M 6 X 40		1	
12	9A1 101 216 01	End cap M 8 X 35		1	
13	999 063 039 01	sealing plug M 20 X 1,5 X 18		2	
14	900 123 159 20	seal ring D 20X24		2	
15	900 385 072 01	Torx screw M 6 X 25		14	
16	000 043 305 76	sealant 80 ML		X	
17	997 606 121 00	Knock sensor D >> - MJ 2017		2	
18	900 385 042 01	Torx screw M 8 X 35		2	
19	900 060 112 01	Threaded pin M 10 X 80		1	
20	900 060 109 01	Threaded pin M 10 X 120		1	
21	996 101 225 50	dowel sleeve		2	
22	999 063 036 01	sealing plug M 10X1X11		4	
23	900 123 160 20	seal ring D 10X13,5		4	
24	9A2 101 211 00	Transportation shackle		1	
25	999 703 023 40	Bungs Crankcase housing		1	
26	9A1 101 511 01	reducing piece		12	

Model: 991-16

Model life 2017>>



Model: 991-16 Model life 2017>>

Pos	Part Number	Description	Remark	Qty	Model
1	9A2 102 211 00	Belt tensioner v-belt lever Tensioning roller	also use: 9A1 102 212 00 999 073 579 01 948 102 839 00	1	
2	948 102 839 00	Protective cap		1	
3	948 102 261 00	tensioner Hydraulic		1	
4	999 073 246 02	Hexagon socket head bolt M 8 X 33 - 10.9		1	
5	999 073 411 01	Hexagon socket flat head bolt M 8 X 60		1	
6	999 073 412 01	Torx screw M 8 X 26		1	
7	9A1 102 218 00	v-belt		1	DCKA, DCK+ PR: 475, 477
(7)	9A2 102 222 00	v-belt		1	DCHA, DCH, DCJA, DCJ+ PR: 030, 475, 477
(7)	9A2 102 221 00	v-belt		1	DCHA, DCH, DCJA, DCJ+ PR: 031, 352
8	9A1 102 030 01	Console	with:	1	DCKA, DCK
8	9A1 102 030 01	track roller Console	with:	1	DCHA, DCH, DCJA, DCJ+ PR: 030, 475, 477
9		Alternator	see illustration:	1	
10		pulley Pump	902-005		
11		pulley Compressor	see illustration: 402-060	1	
12		pulley Crankshaft	see illustration: 813-040	1	
13		pulley Coolant pump	see illustration: 102-000	1	
14	9A1 102 290 01	Cover	see illustration: 105-000	1	
15	9A2 102 295 02	Bracket		1	DCHA, DCH, DCJA, DCJ
16	9A1 603 290 01	Cover		1	
17	900 385 009 01	Torx screw M 6 X 16		5	
18	9A1 102 212 00	Tensioning roller		1	
19	9A2 102 016 00	Belt tensioner damper		1	
20	999 073 579 01	round hd. screw M 10 X 30		1	
21	900 385 048 01	Torx screw M6 X 30		1	
22	900 385 091 01	Hexagon head bolt M8 X 60		2	
23	03G 145 291	Protective cap		1	DCKA, DCK
23	03G 145 291	Protective cap		1	DCHA, DCH,



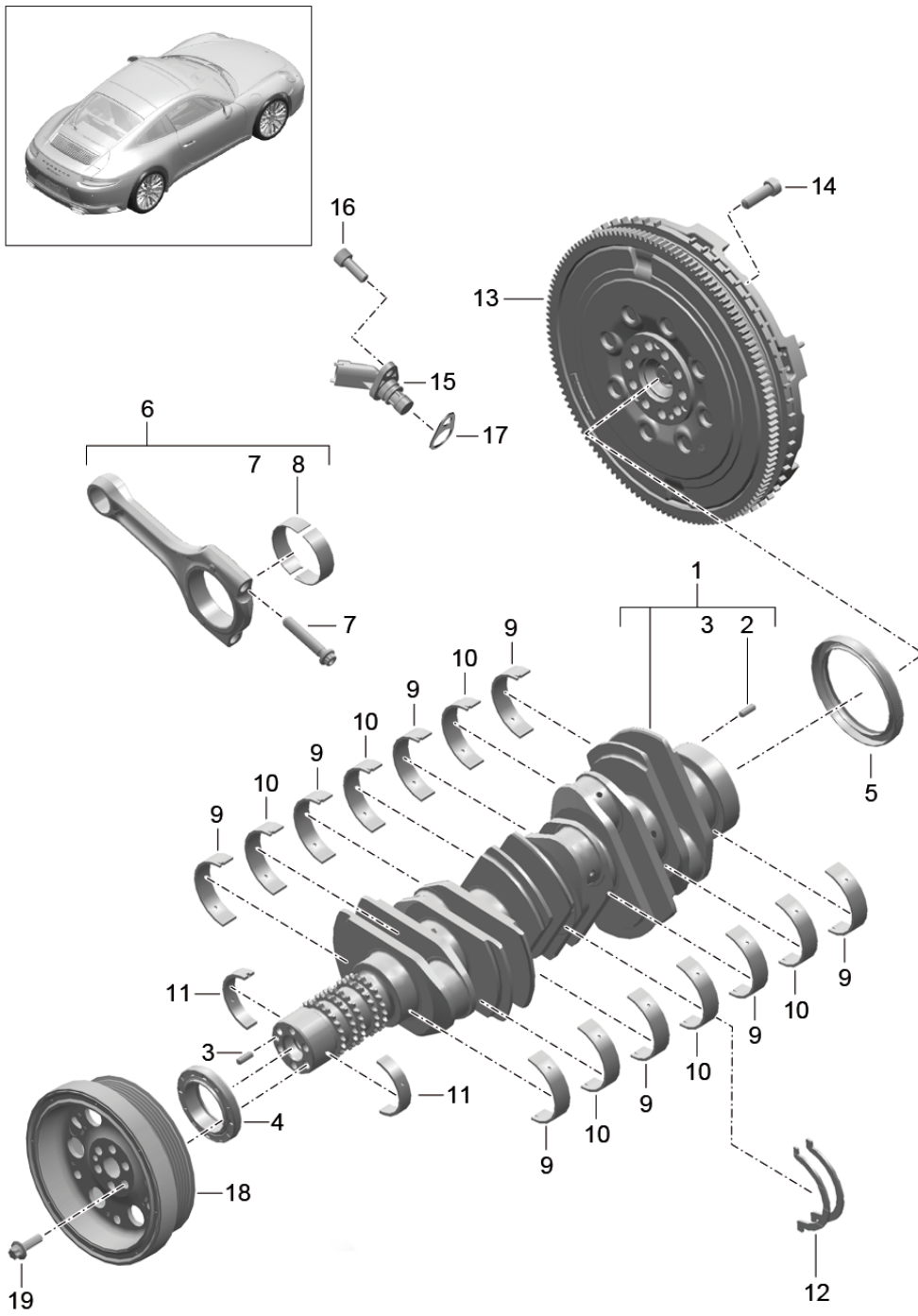
Model: 991-16

Model life 2017&gt;&gt;

Pos	Part Number	Description	Remark	Qty	Model
24	999 591 360 01	Cable holder 5,5 - 6,0		1	DCJA, DCJ+ PR: 030, 475, 477
25	9A2 102 285 01	Bracket for compressor Cover		1	
26	999 507 930 40	Hose bracket 21,0 - 23,0		1	

Model: 991-16

Model life 2017>>



Model: 991-16 Model life 2017>>

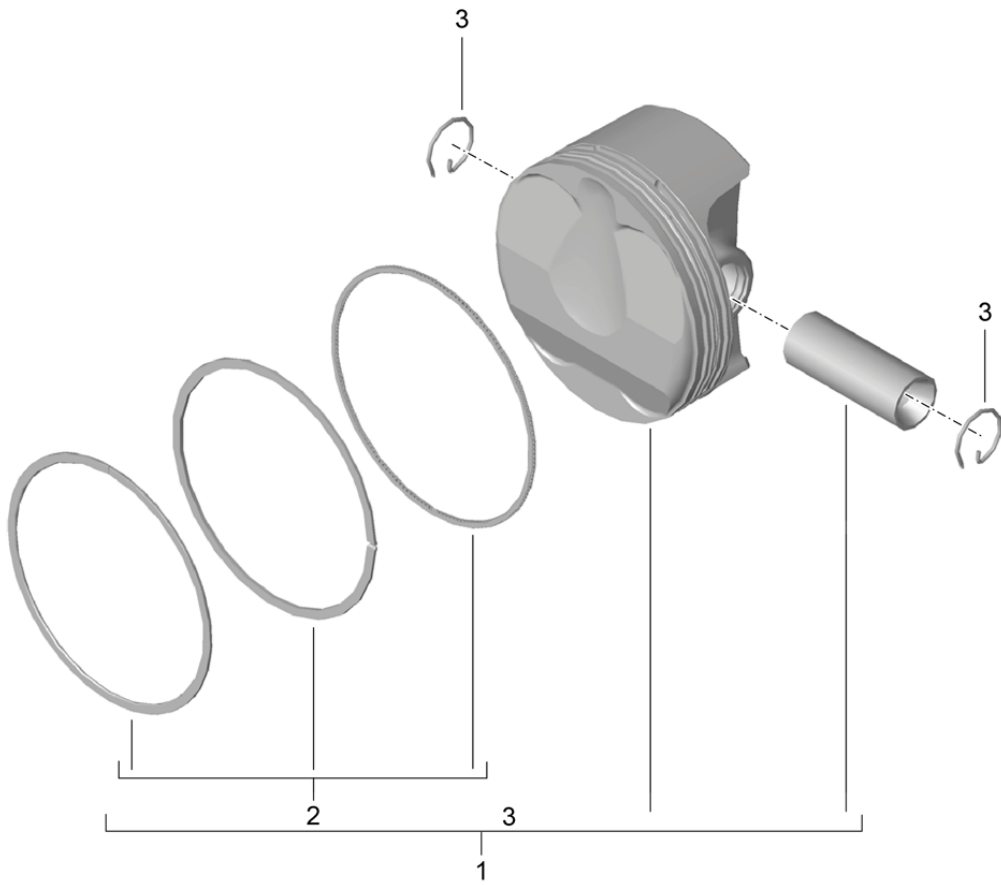
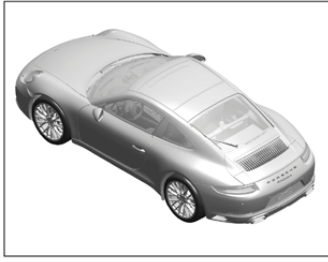
Pos	Part Number	Description	Remark	Qty	Model
1	9A2 102 086 00	Crankshaft		1	
2	900 095 031 00	Connecting rod		1	
3	900 302 016 00	Crankshaft		1	
4	9A1 101 222 02	Spring pin 6,0 X 16,0		1	
5	997 101 212 01	Cylinder pin 6,0 X 16,0		1	
6	9A2 103 916 00	Shaft oil seal 52,5 X 9		1	
6	9A2 103 006 00	Shaft oil seal 85 X 105 X 11		1	
7	9A1 103 115 02	Connecting rod Set comprising: Connecting rods		6	
8	9A1 103 053 03	No longer use the part here Connecting rod Set comprising: Connecting rods		1	
8	9A1 103 053 04	bolt - connecting rod M 10 X 1,25 X 51		12	
8	9A1 103 053 05	connecting rod bearing shell Identification: >> >> red		12	
9	9A2 101 064 00	connecting rod bearing shell Identification: >> >> yellow		12	
9	9A2 101 064 01	connecting rod bearing shell Identification: >> >> blue		12	
9	9A2 101 064 02	crankshaft bearing Identification: >> >> red		8	
10	9A2 101 063 00	crankshaft bearing Identification: >> >> yellow		8	
10	9A2 101 063 01	crankshaft bearing Identification: >> >> blue	with:	6	
10	9A2 101 063 02	crankshaft bearing Identification: >> >> red	with:	6	
11	9A2 101 052 03	crankshaft bearing Identification: >> >> yellow	with:	6	
11	9A2 101 052 04	crankshaft bearing Identification: >> >> blue		2	
11	9A2 101 052 05	crankshaft bearing Identification: >> >> red		2	
11	9A2 101 052 05	crankshaft bearing Identification: >> >> yellow		2	

Model: 991-16 Model life 2017>>

Pos	Part Number	Description	Remark	Qty	Model
12	996 101 132 00	blue thrust washer D = 63		2	
13	9P1 105 262 A	Dual-mass flywheel		1	PR:487
(13)	9P1 105 264	Dual-mass flywheel		1	PR:250
14	N 906 651 01	Socket head bolt with inner multipoint head M 10 X 1 X 29		10	
15	991 606 112 02	speed sensor		1	
16	N 105 464 03	Hexagon socket head bolt M 6 X 16		1	
17	991 606 912 00	Shim speed sensor D >> - 12.09.2016		1	G9105
17	991 606 912 00	Shim speed sensor D >> - 08.09.2016		1	G9106
17	991 606 912 00	Shim speed sensor D >> - 15.10.2016		1	G9135+ PR:219
17	991 606 912 00	Shim speed sensor D >> - 22.07.2016		1	G9135+ PR:220
17	991 606 912 00	Shim speed sensor D >> - 04.07.2016		1	CG115
17	991 606 912 00	Shim speed sensor D >> - 03.07.2016		1	CG140+ PR:219
17	991 606 912 00	Shim speed sensor D >> - 22.06.2016		1	CG110
17	991 606 912 00	Shim speed sensor D >> - 26.06.2016		1	CG140+ PR:221
18	9A2 102 146 00	vibration damper pulley		1	
19	900 385 127 01	Hexagon head bolt		6	

Model: 991-16

Model life 2017>>



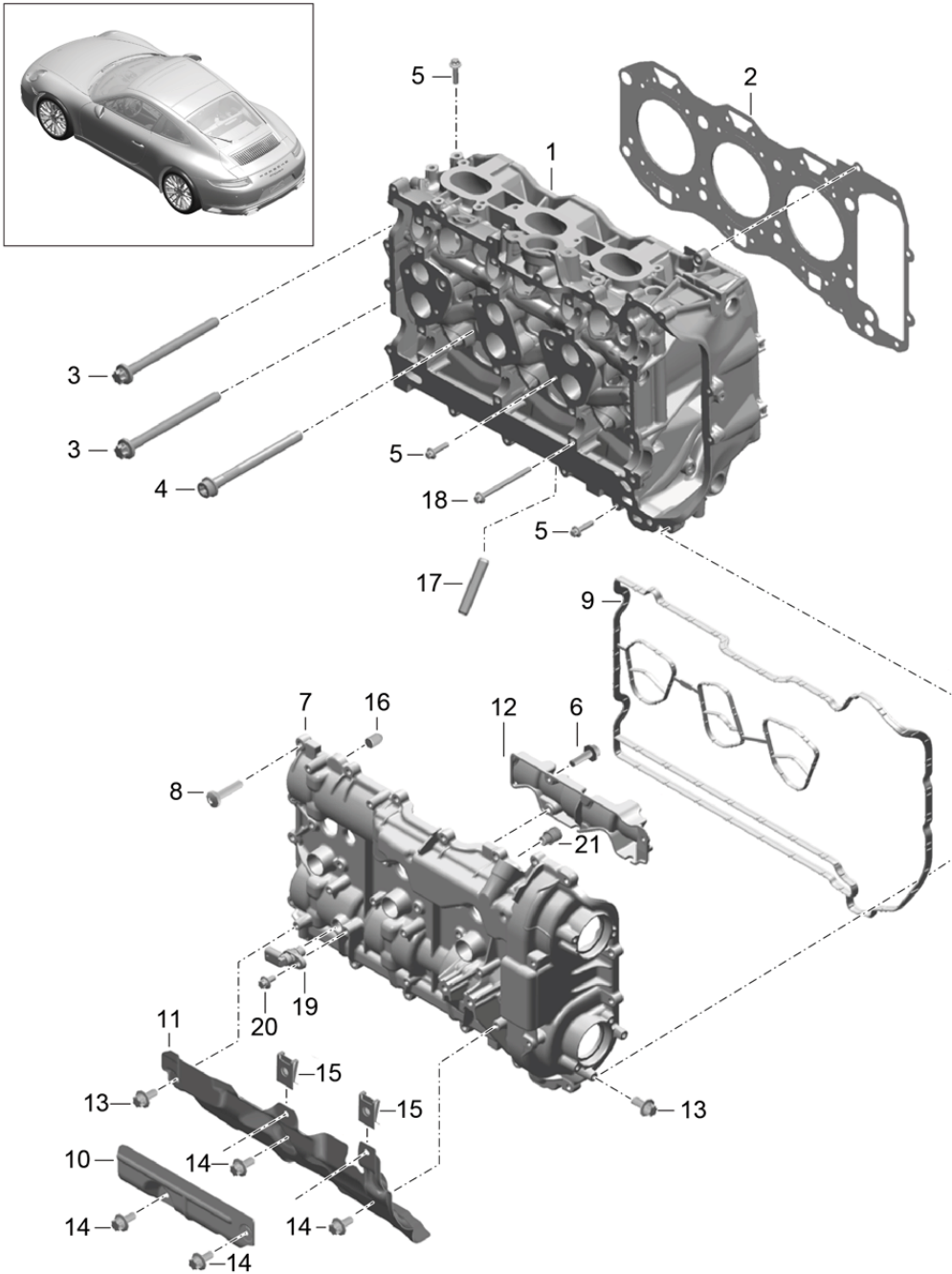
Model: 991-16

Model life 2017>>

Pos	Part Number	Description	Remark	Qty	Model
1	9A2 103 930 00	piston piston Tolerance range X Identification: >> >> -		6	
1	9A2 103 930 50	piston Tolerance range X Identification: >> >> +		6	
2	9A2 103 075 00	1 set: piston rings		6	
3	9A1 103 141 01	Securing ring		12	

Model: 991-16

Model life 2017>>



Model: 991-16

Model life 2017&gt;&gt;

Pos	Part Number	Description	Remark	Qty	Model
		Cylinder head			
		with:			
		Valve			
		Cylinder head gasket			
		Valve cover			
1	9A2 104 915 00	Cylinder head	cylinders 1-3	1	
		D >> - 24.01.2018			
1	9A2 104 915 01	Cylinder head	cylinders 1-3	1	
		D - 25.01.2018>>			
(1)	9A2 104 916 00	Cylinder head	cylinders 4-6	1	
		D >> - 24.01.2018			
(1)	9A2 104 916 01	Cylinder head	cylinders 4-6	1	
		D - 25.01.2018>>			
2	9A2 104 143 01	Cylinder head gasket	cylinders 1-3	1	
(2)	9A2 104 144 01	Cylinder head gasket	cylinders 4-6	1	
3	9A1 104 191 00	Torx screw		4	
		M 12 X 1,5 X 140			
4	9A1 104 191 02	Torx screw		12	
		M 12 X 1,5 X 140			
5	900 385 072 01	Torx screw		11	
		M 6 X 25			
6	N 909 530 04	Oval hexagon socket head bolt		6	
		M 5X14			
7	9A2 105 553 02	Valve cover	cylinders 1-3	1	
		No longer use the part here			
7	9A2 105 313 02	Valve cover	cylinders 1-3	1	
(7)	9A2 105 563 02	Valve cover	cylinders 4-6	1	
		No longer use the part here			
(7)	9A2 105 323 02	Valve cover	cylinders 4-6	1	
8	9A1 107 313 01	Torx screw		45	
		M 6 X 25			
9	9A2 105 571 00	Seal	cylinders 1-3	1	
		Valve cover			
(9)	9A2 105 581 00	Seal	cylinders 4-6	1	
		Valve cover			
10	9A2 104 321 00	Heat insulation	cylinders 1-3	1	
		Upper part			
(10)	9A2 104 322 00	Heat insulation	cylinders 4-6	1	
		Upper part			
11	9A2 104 319 02	Heat insulation	cylinders 1-3	1	
		Lower part			
(11)	9A2 104 019 02	Heat insulation	cylinders 1-3	1	
		(complete)			
		D >> - 05.03.2017			
(11)	9A2 104 019 03	Heat insulation	cylinders 1-3	1	
		(complete)			
		D - 06.03.2017>> - 09.05.2018			
(11)	9A2 104 019 04	Heat insulation	cylinders 1-3	1	
		(complete)			
		D - 14.05.2018>>			
(11)	9A2 104 320 02	Heat insulation	cylinders 4-6	1	
		Lower part			
(11)	9A2 104 020 02	Heat insulation	cylinders 4-6	1	
		(complete)			
		D >> - 05.03.2017			
(11)	9A2 104 020 03	Heat insulation	cylinders 4-6	1	
		(complete)			
		D - 06.03.2017>>			
12	9A2 105 615 00	oil separator	cylinders 1-3	1	
(12)	9A2 105 616 00	oil separator	cylinders 4-6	1	
13	900 385 041 01	Torx screw		12	
		M 6 X 12			
14	999 073 650 01	Torx screw		4	



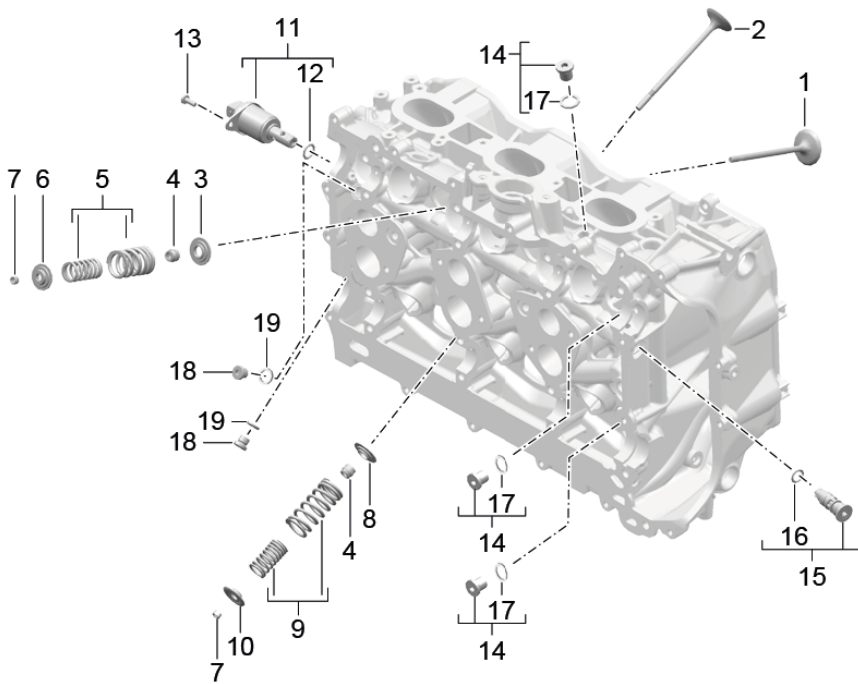
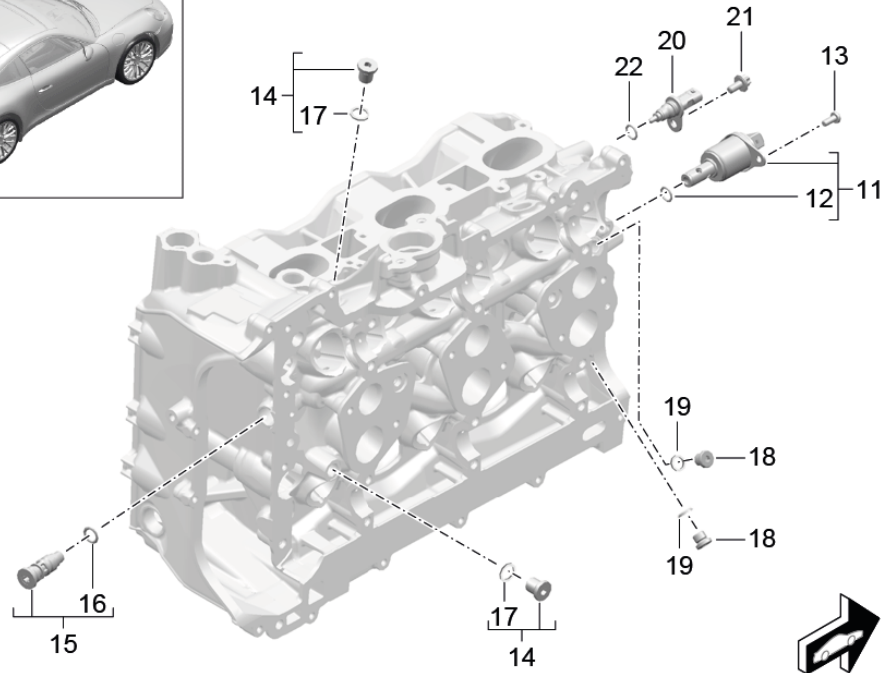
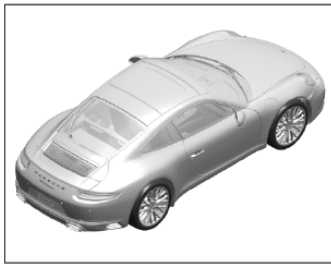
Model: 991-16

Model life 2017>>

Pos	Part Number	Description	Remark	Qty	Model
15	999 591 882 01	M 5 X 12 panel nut		4	
16	999 012 001 01	M6 Cylinder pin		4	
17	999 060 001 01	8H7X11 Threaded stud		18	
18	900 385 027 01	Torx screw		4	
19	946 606 106 00	BM 6X70 Hall sensor		4	
20	900 387 264 01	Socket head bolt		4	
20	N 105 464 03	M 6 X 16 No longer use the part here Hexagon socket head bolt		4	
20	999 073 601 01	M 6 X 16 No longer use the part here flat round head bolt		4	
21		M 6 X 14 connection piece Bleeding Crankcase housing Not available Valve cover Use		2	

Model: 991-16

Model life 2017>>



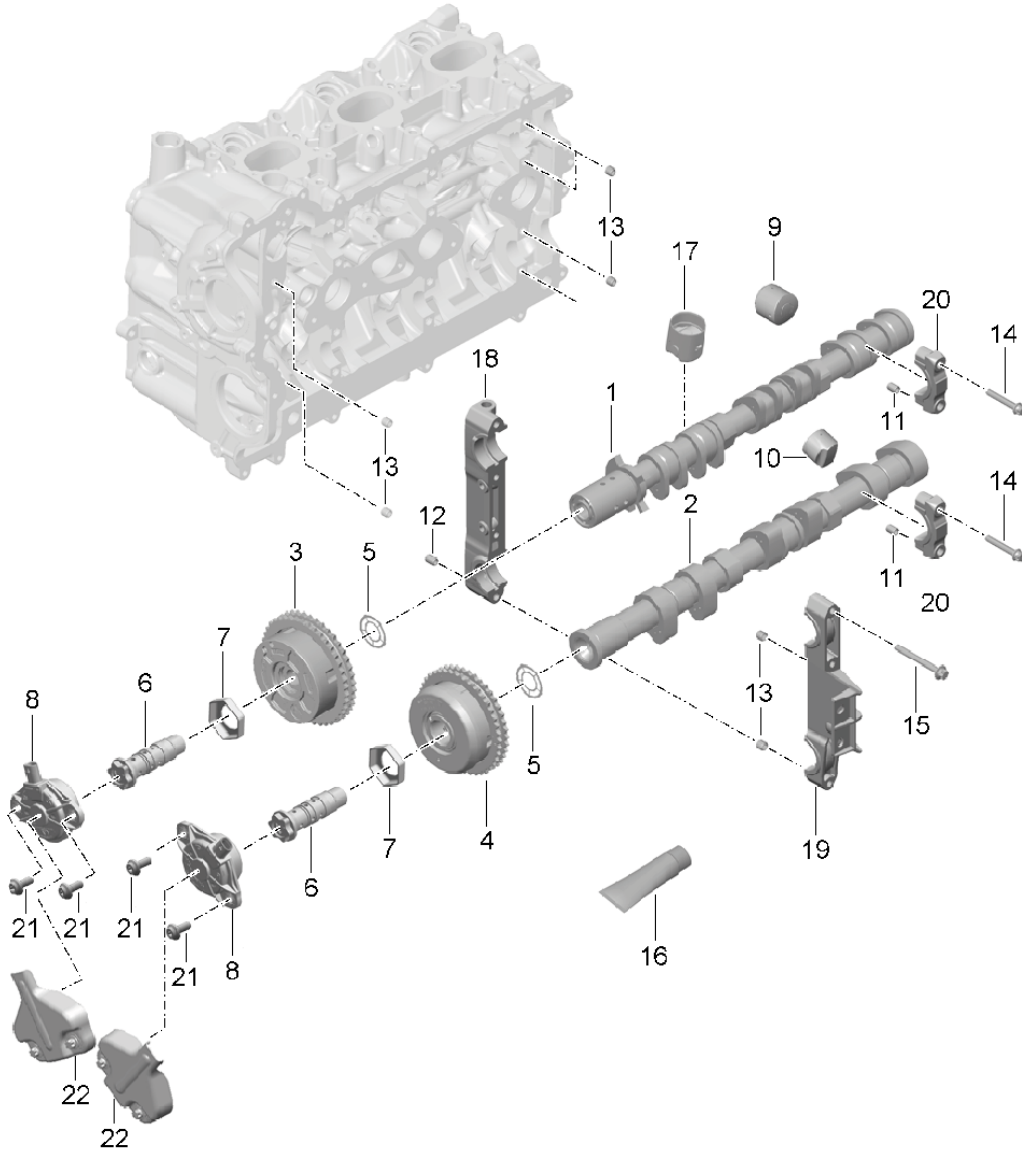
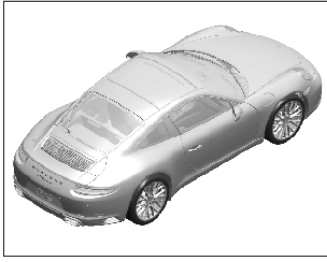
Model: 991-16

Model life 2017&gt;&gt;

Pos	Part Number	Description	Remark	Qty	Model
		Cylinder head			
		Accessories			
		Valves			
1	9A2 105 701 00	Inlet valve		12	
2	9A2 105 723 01	exhaust valve		12	
3	948 105 153 51	spring disc	lower Inlet	12	
4	996 105 115 52	Valve stem seal		24	
5	9A2 105 250 00	1 set of valve springs	Inlet	12	
6	9A1 105 352 00	spring disc	upper Inlet	12	
7	996 105 123 52	cotter, split		48	
8	9A2 105 831 00	spring disc	lower Outlet	12	
9	9A2 105 765 00	1 set of valve springs	Outlet	12	
		No longer use the part here			
9	9A2 105 262 00	1 set of valve springs	Outlet	12	
10	9A2 105 821 00	spring disc	upper Outlet	12	
11	9A1 105 308 04	throttle control element VVS		2	
12	900 331 057 40	O-ring		2	
		11,2 X 2,65			
13	999 073 650 01	Torx screw		4	
		M 5 X 12			
14	999 063 037 01	sealing plug	cylinders 1-3	3	
		M 12 X 1,5 X 15			
14	999 063 037 01	sealing plug	cylinders 4-6	2	
		M 12 X 1,5 X 15			
15	9A1 104 250 01	choke		2	
16	999 707 577 40	O-ring		2	
		10 X 2,5N			
17	900 123 161 20	seal ring	cylinders 1-3	3	
		12 X 16			
17	900 123 161 20	seal ring	cylinders 4-6	2	
		12 X 16			
18	999 063 036 01	sealing plug		4	
		M 10X1			
19	900 123 160 20	seal ring		4	
		D 10X13,5			
20	9A7 919 525 00	Temperature sensor Coolant cooling system		1	
		Discontinued part			
20	958 606 623 20	Temperature sensor Coolant cooling system		1	
21	900 385 041 01	Torx screw		1	
		BM 6 X 12			
22	WHT 002 287 B	O-ring		1	
		5,6 X 2,00			

Model: 991-16

Model life 2017>>



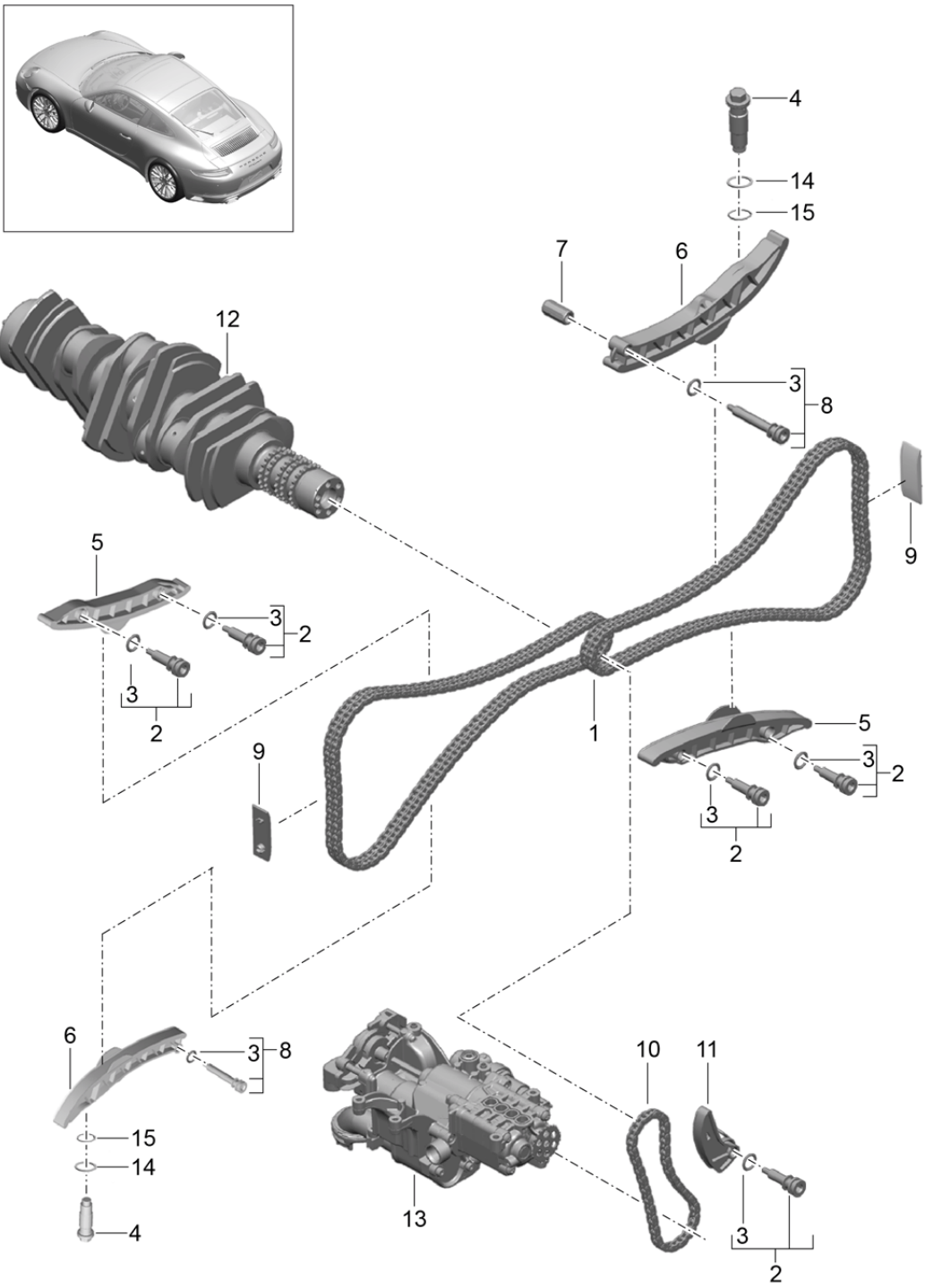
Model: 991-16

Model life 2017&gt;&gt;

Pos	Part Number	Description	Remark	Qty	Model
1	9A2 105 504 01	Camshaft Hydraulic tappet camshaft adjuster unit Camshaft	Inlet cylinders 1-3	1	
(1)	9A2 105 514 01	Camshaft	Inlet cylinders 4-6	1	
2	9A2 105 524 01	Camshaft	Outlet cylinders 1-3	1	
(2)	9A2 105 534 01	Camshaft	Outlet cylinders 4-6	1	
3	946 105 051 76	camshaft adjuster unit	Inlet	2	
4	946 105 052 76	camshaft adjuster unit	Outlet	2	
5	946 105 155 75	Friction washer camshaft adjuster unit		4	
6	946 105 054 77	Screw camshaft adjuster unit		4	
7	946 105 154 75	Sleeve camshaft adjuster unit		4	
8	946 105 053 79	throttle control element Camshaft		4	
9	9A1 105 070 04	Hydraulic tappet	Inlet	12	
10	9A1 105 071 01	Hydraulic tappet	Outlet	12	
11	999 095 078 01	dowel sleeve 7,5H7X11		13	
12	999 095 079 00	dowel sleeve 12M6X25		1	
13	996 104 117 50	dowel sleeve		16	
14	999 073 450 01	Outer hexagon round screw M 6 X 37 X 25		28	
15	900 385 027 01	Torx screw BM 6X70		4	
16	000 043 204 17	Extreme-pressure grease 1 tube 80 GR. for Camshaft		1	
17	06L 109 311	Tappets		2	
18		Bearing housing Matching with: Cylinder head	lower	1	
19		Bearing housing Matching with: Cylinder head	upper	1	
20		Bearing cover Matching with: Cylinder head		12	
21	N 911 261 01	Hexagon socket flat head bolt M 6 X 14		8	
22	0PB 103 770	Guard plate Actuator		2	

Model: 991-16

Model life 2017>>



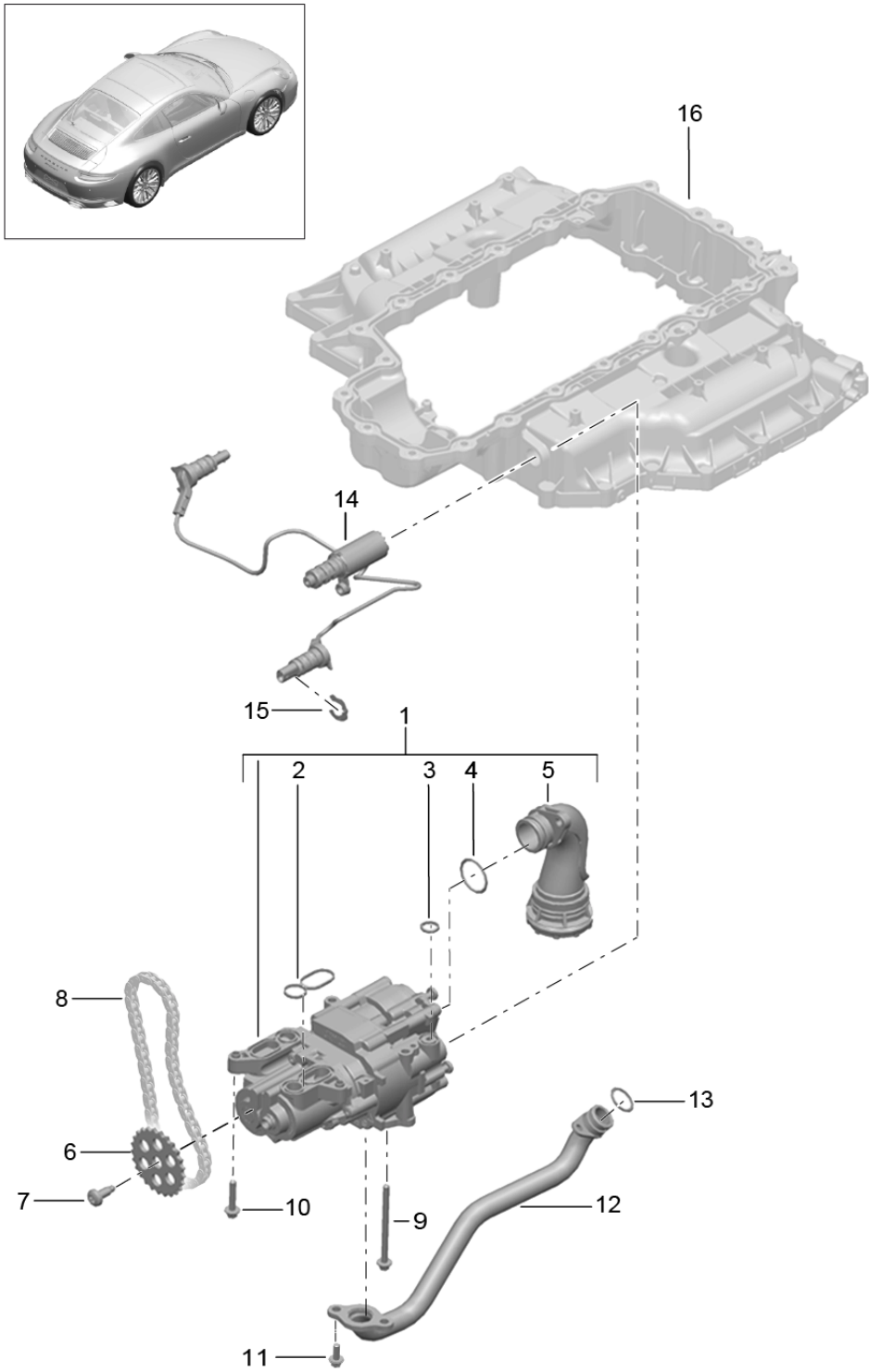
Model: 991-16

Model life 2017>>

Pos	Part Number	Description	Remark	Qty	Model
1	9A2 105 148 01	Valve control timing chain Camshaft Crankshaft		2	
2	9A1 105 062 01	Socket head bolt Tensioner blade		6	
3	999 707 346 40	O-ring 15,0 X 3,0		X	
4	9A2 105 157 01	chain tensioner		2	
5	9A2 105 123 01	slide rail		2	
6	9A2 105 125 01	Tensioner blade		2	
7	9A1 105 165 02	spacer sleeve		1	
8	9A1 105 063 01	Screw		1	
9	9A1 105 101 03	slide rail		2	
10	9A1 105 233 02	timing chain oil pump Crankshaft		1	
11	9A1 105 235 02	Tensioner blade		1	
12		Crankshaft			
13		oil pump see illustration:	102-000	1	
14	900 123 011 21	seal ring A 22 X 27	see illustration: 104-000	2	
15	999 701 066 40	O-ring chain tensioner		2	

Model: 991-16

Model life 2017>>





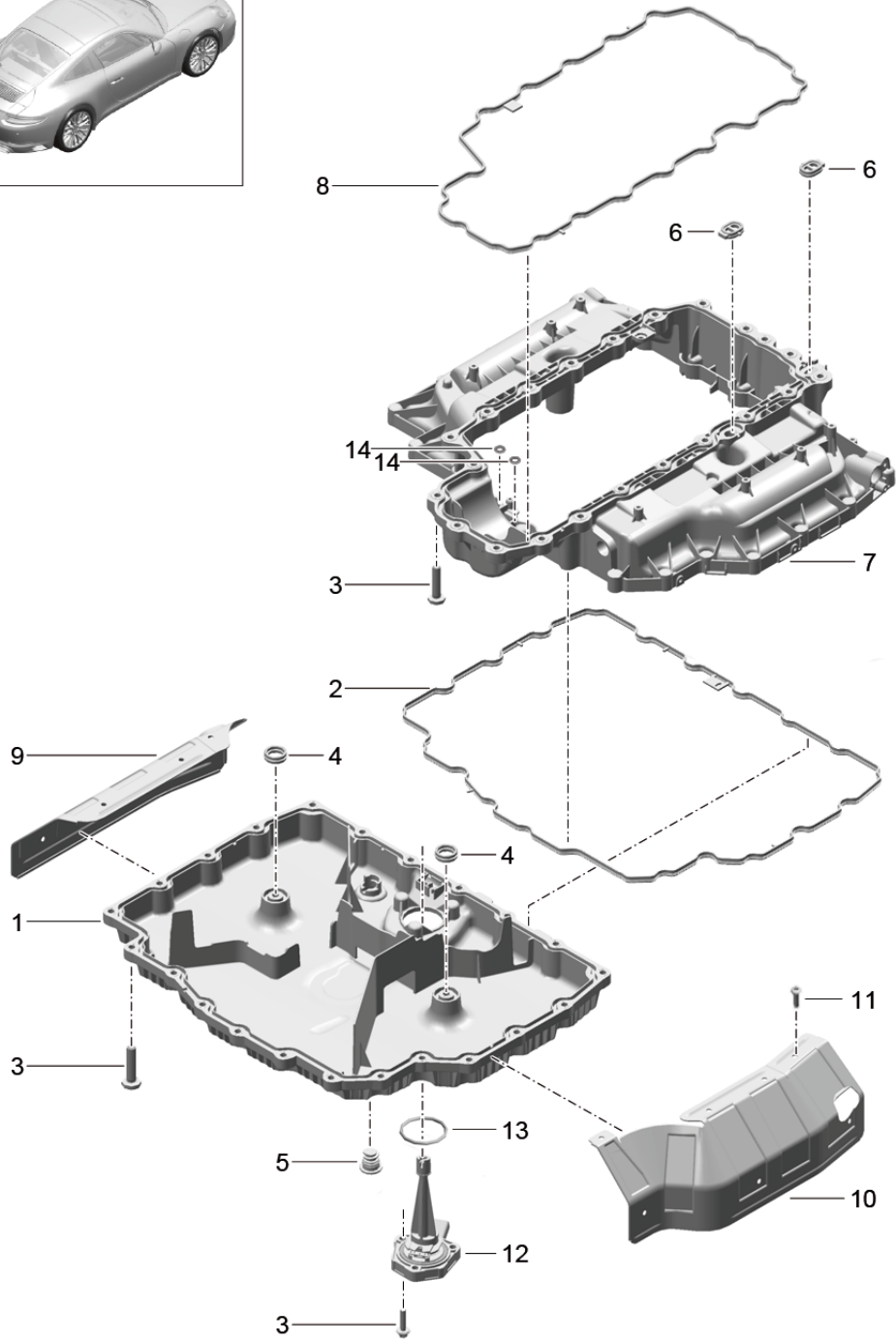
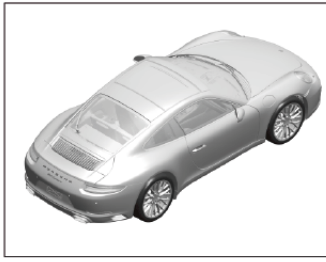
Model: 991-16

Model life 2017>>

Pos	Part Number	Description	Remark	Qty	Model
1	0PB 115 103 D	oil pump oil pump No longer use the part here		1	
1	9A7 115 103 10	oil pump		1	
2	0PB 115 189	Seal for oil pump		2	
3	0PB 115 131	Seal for oil pump		1	
4	999 707 547 40	O-ring 28,00 X 3,00		1	
5	0PB 115 169	Suction tube		1	
6	9A1 105 225 02	Chain sprocket		1	
7	999 073 380 01	oil pump Torx screw M8 X 22		1	
8		Chain oil pump			
9	900 385 108 02	see illustration: Torx screw M6 X 80	103-015	2	
10	900 385 048 01	Torx screw M6 X 30		5	
11	900 385 009 01	Torx screw M6 X 25		3	
12	0PB 115 703	oil pipe oil pump Crankcase housing		1	
13	999 707 575 40	also use: O-ring 20,00 X 3,00	999 707 575 40	1	
14	0PB 115 393 B	control valve		1	
15	946 107 413 60	securing clip Solenoid valve		1	
15	9A7 115 047 00	oil pump securing clip Solenoid valve		1	
16		oil pump oil sump Upper part see illustration:	104-002		

Model: 991-16

Model life 2017>>



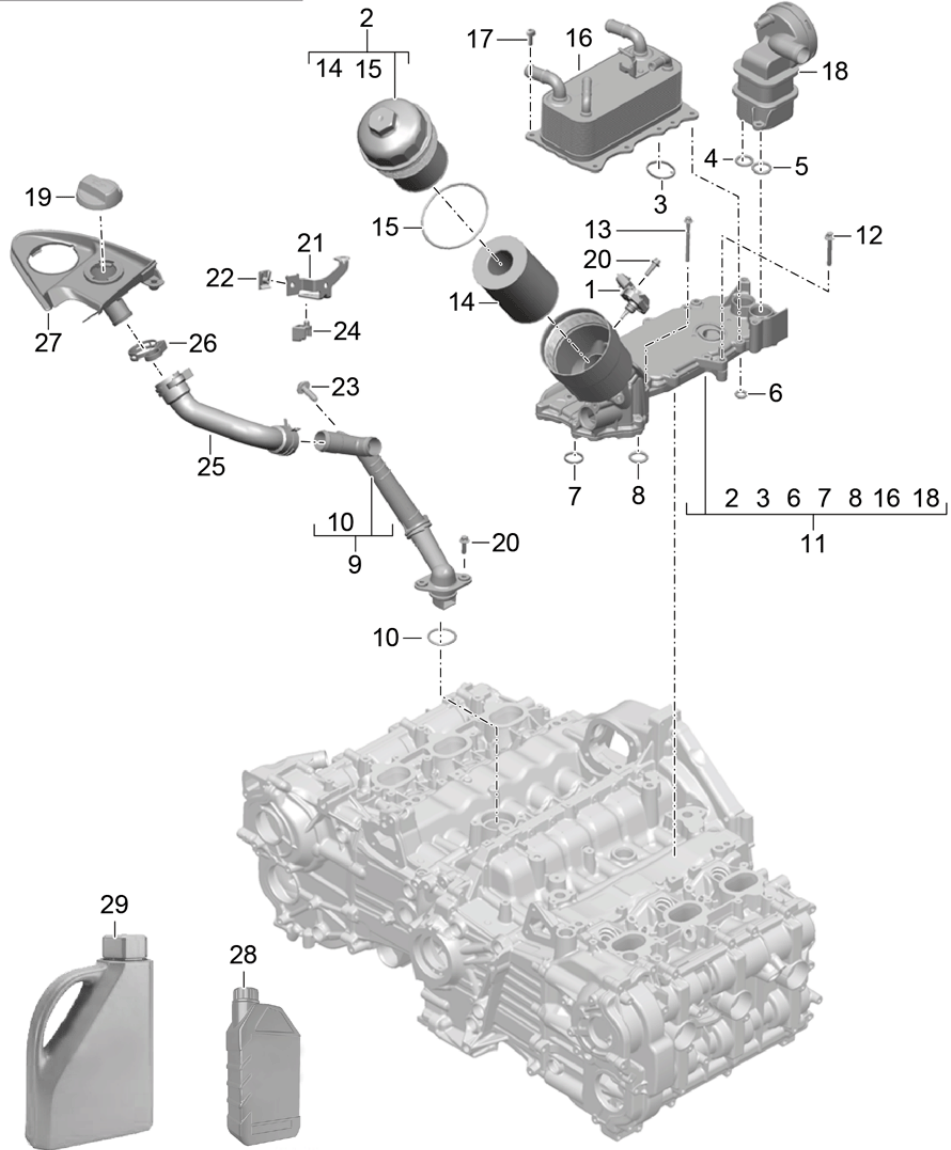
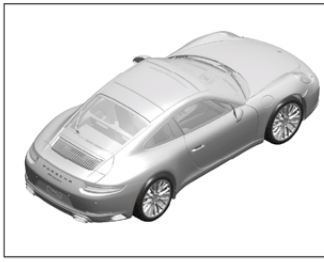
Model: 991-16

Model life 2017>>

Pos	Part Number	Description	Remark	Qty	Model
1	9A2 107 309 00	oil sump oil sump-lower part Discontinued part		1	
1	9A2 107 039 03	oil sump-lower part		1	
2	9A2 107 338 00	gasket for oil sump		1	
3	9A1 107 313 01	Torx screw BM 6 X 25		47	
4	9A2 107 336 00	seal ring oil sump		2	
5	958 103 801 00	Cap closure oil sump		1	
6	9A2 107 317 01	gasket for oil sump		2	
7	9A2 107 306 03	oil sump-upper part		1	
8	9A2 107 319 00	gasket for oil sump		1	
9	9A2 107 327 00	Heat insulation	left	1	
10	9A2 107 328 00	Heat insulation	right	1	
11	N 908 249 02	oval head panel screw TP 4,0X8,0		12	
12	958 606 160 10	oil level sensor		1	
13	038 103 196 B	seal ring		1	
14	999 707 638 40	O-ring 10,00 X 3,50		2	

Model: 991-16

Model life 2017>>



Model: 991-16 Model life 2017>>

Pos	Part Number	Description	Remark	Qty	Model
1	948 606 213 00	Engine lubrication		1	
2	948 107 022 00	Oil pressure sender		1	
3	948 107 175 00	oil filter (complete)		2	
4	999 707 634 40	Seal heat exchanger		1	
5	999 707 635 40	O-ring 18,50 X 4,00		1	
6	999 707 594 40	O-ring 21,00 X 4,00		1	
7	9A1 107 465 01	O-ring 11,00 X 4,00		2	
8	999 707 595 40	seal ring		1	
9	9A2 107 015 00	O-ring 20,00 X 4,00		1	
10	999 707 530 40	Filler tube engine oil		1	
11	999 707 530 40	O-ring 34,52 X 3,53		1	
11	9A2 107 045 00	Oil-conducting housing (complete)		1	
11	9A2 107 010 00	No longer use the part here Oil-conducting housing (complete)		1	
12	900 385 125 01	Torx screw M 6 X 45		6	
13	900 385 027 01	Torx screw BM 6X70		1	
14	948 107 222 00	Oil filter insert		1	
15	948 107 322 00	also use: seal ring 91,0 X 4,0	948 107 322 00	1	
16	9A2 107 455 00	heat exchanger		1	PR:030,475, 477
(16)	9A2 107 455 20	heat exchanger		1	PR:031,352
17	999 073 416 01	Bolt with washer M 6 X 20		6	
18	9A1 107 040 01	oil separator Discontinued part		1	
18	9A1 107 040 02	oil separator		1	
19	9P1 115 423	End cap		1	
20	900 385 019 01	Torx screw M 6 X 20		7	
21	9A2 107 215 00	Bracket		1	
22	999 591 882 01	Filler tube panel nut M6		1	
23	999 919 283 01	Oval-head screw M6 X 18		1	
24	999 507 886 40	Hose bracket 4,8 - 8,0		1	
25	9P1 115 310	Filling hose		1	
26	999 512 695 09	engine oil Hose clamp B 38 X 12		2	
27		Filler tube engine oil			
28	000 043 305 21	see illustration: engine oil EXXON MOBIL 1 0W-40	105-020 1.0 Ltr.	X	
(28)	000 043 210 93	D >> - 13.05.2018 engine oil EXXON MOBIL 1 0W-40	1.0 Ltr.	X	

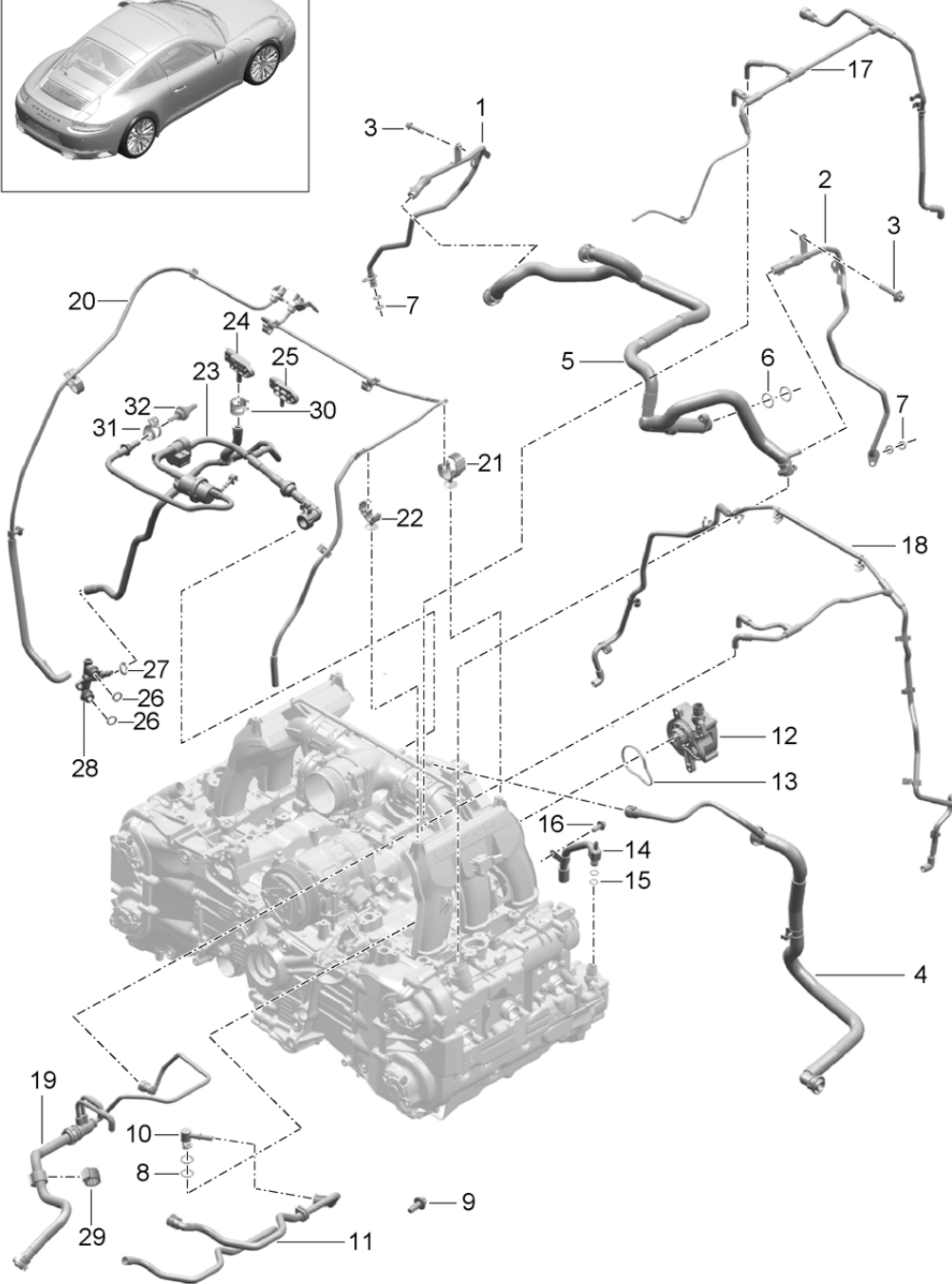
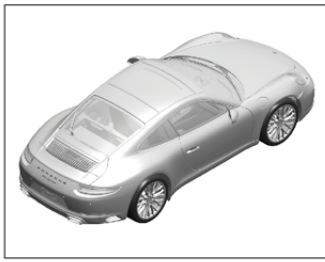
Model: 991-16

Model life 2017>>

Pos	Part Number	Description	Remark	Qty	Model
29	000 043 305 22	ESP X 3 D - 14.05.2018>> engine oil EXXON MOBIL 1 0W-40 D >> - 13.05.2018	20ltr.	x	

Model: 991-16

Model life 2017>>



Model: 991-16

Model life 2017>>

Pos	Part Number	Description	Remark	Qty	Model
1	9A2 107 241 01	Crankcase housing Bleeding Tank ventilation Breather line Exhaust gas turbocharger		1	
2	9A2 107 242 01	Breather line Exhaust gas turbocharger	cylinders 1-3	1	
3	900 385 072 01	Torx screw BM 6X25		4	
4	9A2 107 551 01	Breather line		1	
5	9A2 107 550 00	Crankcase housing Breather line		1	
6	999 707 639 40	Crankcase housing O-ring 24,0 X 2,5 N		2	
7	999 707 692 40	O-ring 10,0 X 3,0		4	
8	999 707 577 40	O-ring 10,0 X 2,5		2	
9	900 385 041 01	Torx screw M 6 X 12		3	
10	9A1 107 545 73	ventilation union		1	
11	9A2 107 541 00	Ventilation pipe Crankcase housing		1	
12		Vacuum pump		1	
13	9A2 110 710 00	Seal Vacuum pump	see illustration: 107-015	1	
14	9A2 110 065 00	Vacuum line		1	
15	999 701 789 40	O-ring 12,00X2,00		2	
16	900 385 009 01	Torx screw BM 6X16		3	
17	9A2 110 080 00	Vacuum line		1	
18	9A2 110 086 00	Control line Boost pressure		1	
19	9A2 110 098 00	Air line		1	
20	9A2 110 090 01	Control line thermostat		1	
20	9A2 110 090 02	Discontinued part Control line thermostat		1	
21	999 507 249 40	Bracket 22,0		1	
22	999 507 306 40	Bracket 14,0		1	
23	9A2 110 095 01	Breather line		1	
24	7P5 906 051	Pressure sensor		1	
25	9A2 110 595 00	Tank ventilation Bungs		1	
26	9A7 008 755 00	Tank ventilation O-ring		2	
27		Breather line O-ring		1	
28		Breather line Not available jet		1	
		Breather line Not available To Use			



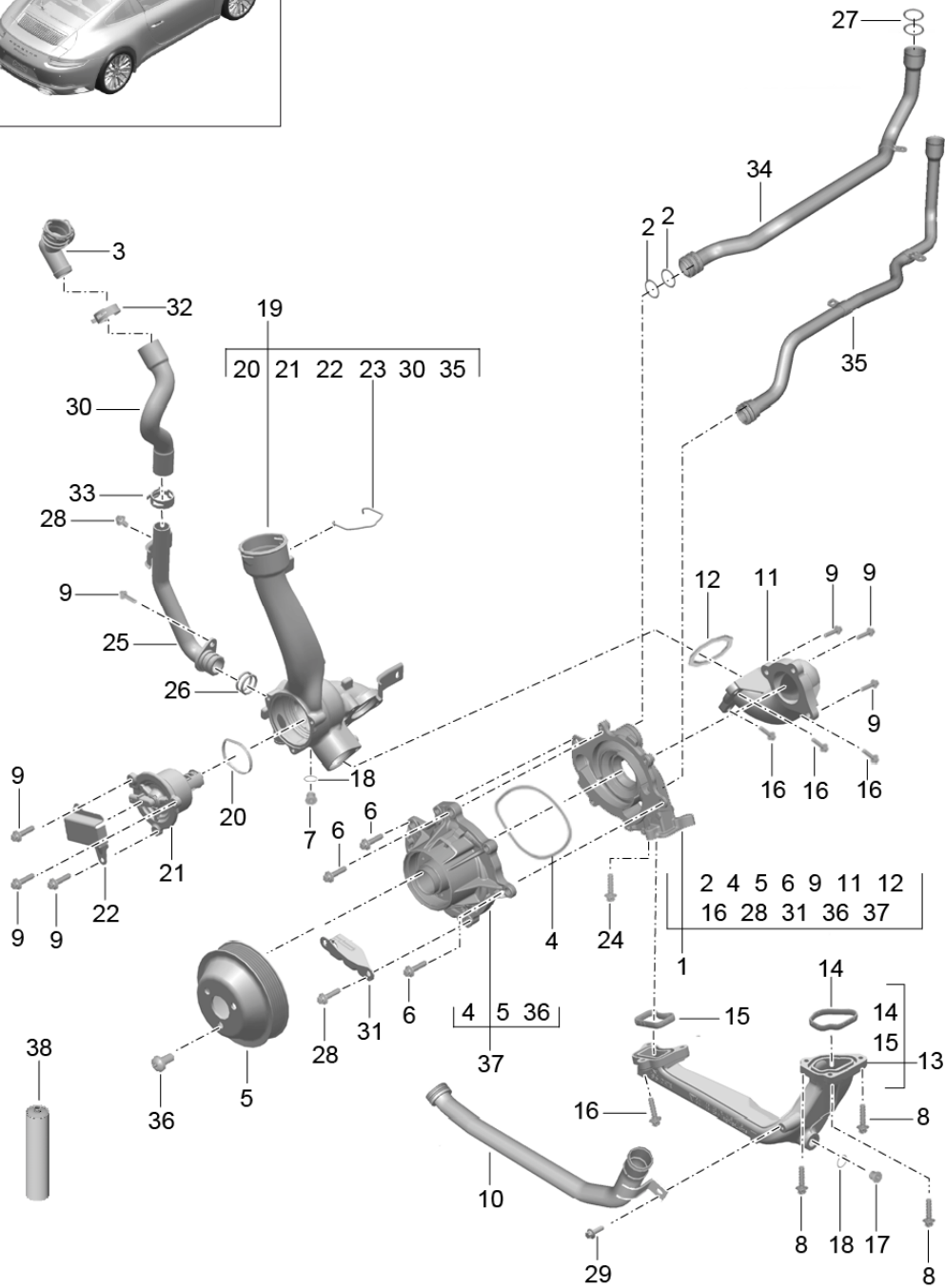
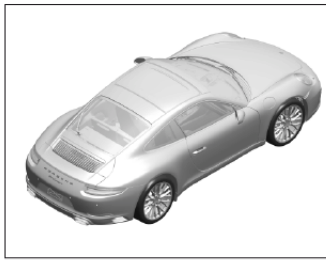
Model: 991-16

Model life 2017&gt;&gt;

Pos	Part Number	Description	Remark	Qty	Model
29	N 107 278 01	Breather line 9A2.110.095.01 Distance piece B17X28X20		1	
30	N 910 203 01	Spring band clamp 14,5 X 12		2	
31	999 512 596 09	Hose clamp A 13X12		2	
32	996 110 135 70	Valve Tank ventilation		2	
32	9A7 133 528 00	No longer use the part here Valve Tank ventilation		2	

Model: 991-16

Model life 2017>>



Model: 991-16

Model life 2017>>

Pos	Part Number	Description	Remark	Qty	Model
1	9A2 106 039 72	Coolant pump thermostat housing Coolant pump (complete)		1	
		with:			
(1)	0PB 121 010 A	pulley Coolant pump (complete)		1	
		with:			
2	999 707 604 40	pulley O-ring 34,0 X 3,0		2	
3	9A1 106 535 00	Coupling		1	
4	9A1 106 217 00	Seal Coolant pump		1	
5	9A1 106 248 00	pulley		1	
6	900 385 098 01	Torx screw M8 X 25		3	
6	900 385 114 01	Torx screw M8 X 25		3	
7	999 063 038 01	sealing plug M14 X 1,5 X 15		1	
8	900 385 071 01	Torx screw M8 X 50		3	
9	900 385 019 01	Torx screw M6 X 20		6	
10		Water pipe		1	
		see illustration:	105-003		
11	9A1 106 238 00	Water pipe		1	
12	9A1 106 215 00	Seal Water pipe		1	
13	9A2 106 025 00	Water pipe		1	
14	9A1 106 326 00	Seal Water pipe		1	
15	9A1 106 325 00	Seal Water pipe		1	
16	900 385 072 01	Torx screw M6 X 25		16	
17	900 219 018 30	sealing plug M14 X 1,5		2	
		No longer use the part here			
17	999 063 038 01	sealing plug M14 X 1,5		2	
18	900 123 104 30	seal ring 14 X 18		2	
		No longer use the part here			
18	900 123 173 20	seal ring 14 X 18		2	
19	9A1 106 012 03	Water guide housing		1	
		with:			
20	9A1 106 559 00	thermostat Seal		1	
21	9A1 106 226 03	thermostat		1	
22	9A1 106 450 00	Guard plate		1	
23	997 106 802 03	Spring		1	
24	900 385 070 01	Torx screw	M6X35	1	
24	PAF 008 685 00	Torx screw	M6X35	1	
25	9A2 106 851 00	Filling hose		1	PR: -7CP
26	999 707 658 40	O-ring	23X3	2	PR: -7CP
27	999 707 657 40	O-ring	31X3	2	
28	900 385 009 01	Torx screw	M6X16	2	
29	900 385 041 01	Torx screw	M6X12	1	

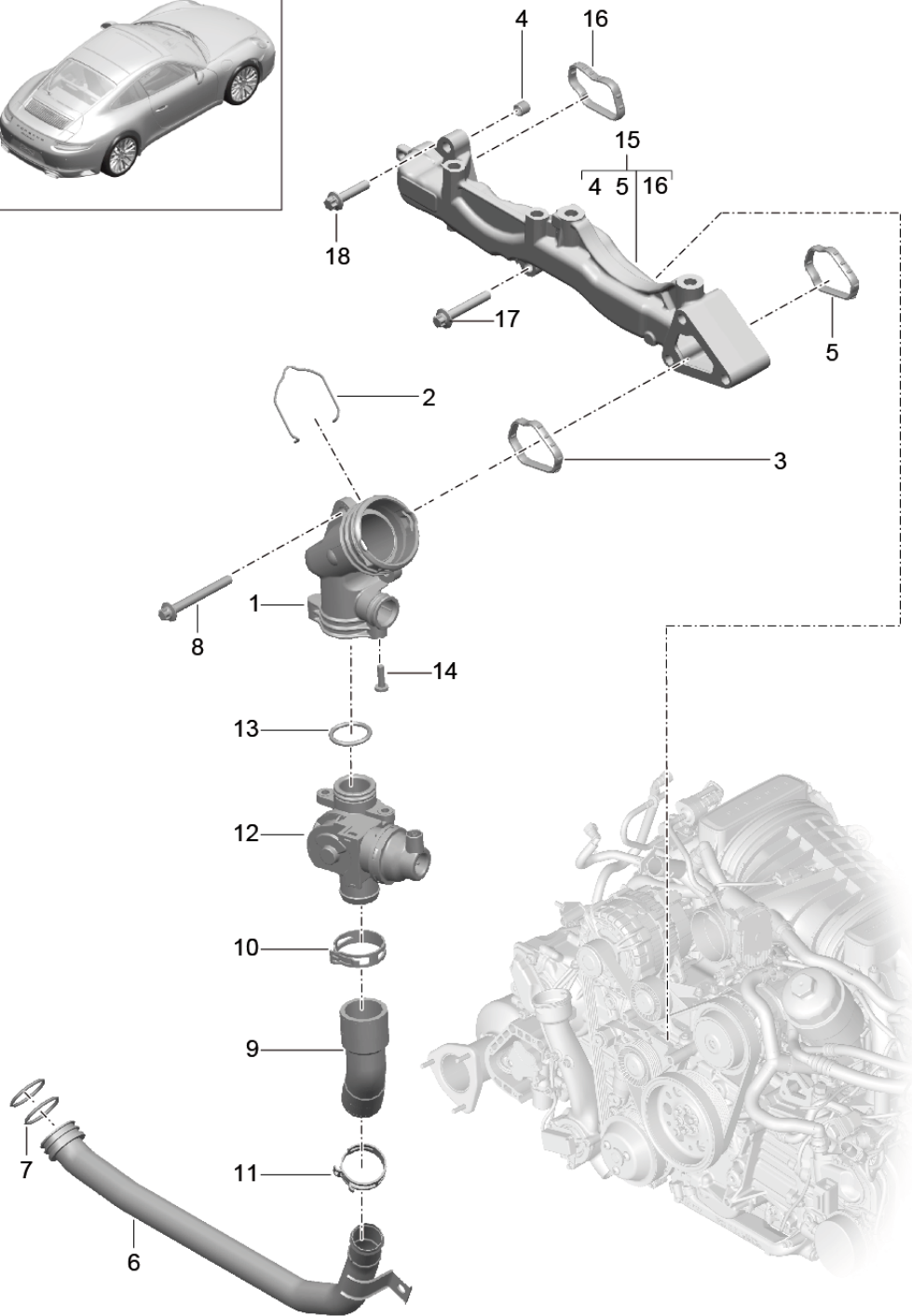
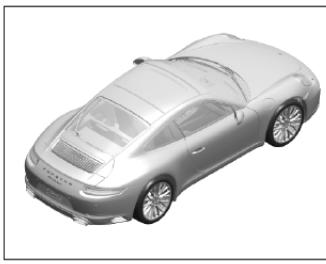
Model: 991-16

Model life 2017>>

Pos	Part Number	Description	Remark	Qty	Model
30	9A2 106 852 00	Filling hose		1	PR:-7CP
31	9A1 106 631 01	Bracket		1	
32	999 512 661 09	Hose clamp	30X12	1	PR:-7CP
33	999 512 658 09	Hose clamp	27X12	1	PR:-7CP
34		Water pipe	return	1	
		see illustration:	105-005		
35		Water pipe	feed	1	
		see illustration:	105-005		
37	9A2 106 049 02	Coolant pump		1	
		Bearing housing			
		with:			
38	000 043 303 93	pulley		X	
		sealant			
		Fixing			
		DOBOSEAL 08-07			
		20 ML			

Model: 991-16

Model life 2017>>



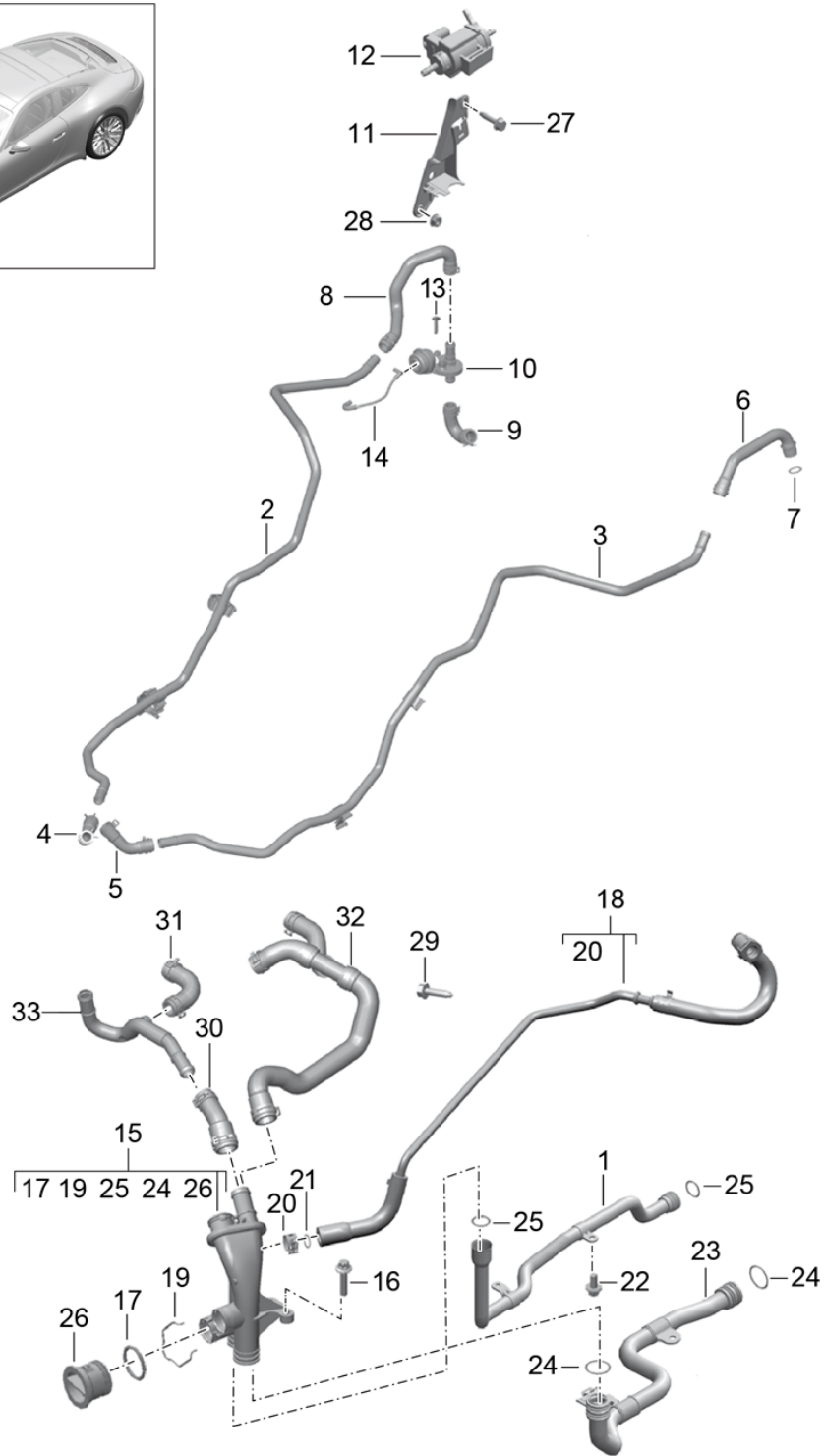
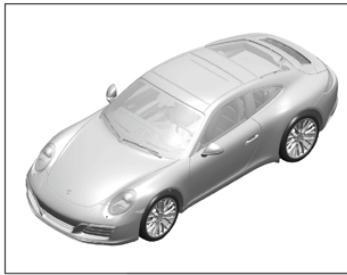
Model: 991-16

Model life 2017>>

Pos	Part Number	Description	Remark	Qty	Model
		Assembly carrier			
		Water pipe			
1	9A1 106 134 00	Cooling water socket		1	
2	997 106 802 03	Spring		1	
3	9A1 102 322 00	Seal		1	
4	999 095 063 03	dowel sleeve M 6 X 10		5	
5	9A1 102 322 40	Seal		1	
6	9A1 106 627 01	Water pipe		1	
7	999 707 657 40	O-ring 31,0 X 3,0		2	
8	900 385 115 01	Torx screw M 8 X 70		3	
9	9A1 106 617 00	Water hose		1	
10	999 512 665 09	Hose clamp 40 X 12		1	
11	999 512 709 01	Hose clamp 35 X 12		1	
12	9A1 106 555 04	Valve		1	
13	999 707 654 40	O-ring 29,00 X 4,00		1	
14	999 073 344 01	flat round head bolt M 6 X 20		2	
15	9A2 102 113 00	Assembly carrier Discontinued part		1	
15	9A2 102 013 00	Assembly carrier		1	
16	9A1 102 312 40	Seal		1	
17	900 385 071 01	Torx screw BM 8 X 50		3	
18	900 385 042 01	Torx screw BM 8 X 35		1	

Model: 991-16

Model life 2017>>



Model: 991-16

Model life 2017&gt;&gt;

Pos	Part Number	Description	Remark	Qty	Model
1	9A2 106 620 01	Connection Water pipe Control Water cooling Exhaust gas turbocharger Water pipe	feed	1	
2	9P1 121 050 A	Heater pipeline	feed	1	
3	9P1 121 070 A	Heater pipeline	return	1	
4	991 106 212 01	Water hose		1	
5	991 106 222 01	Water hose		1	
6	991 106 822 01	Water hose	return	1	
7	996 106 801 03	O-ring		1	
8	9P1 121 626	Water hose		1	
9	9P1 121 393	Heating hose	feed	1	
10	991 307 573 00	Disc valve		1	
11	9P1 121 313	Bracket		1	
12	7PP 906 283 F	Change-over valve		1	
13	999 073 415 01	flat round head bolt M 4 X 16		1	
14	999 239 041 40	Hose 3,5 X 2,0 X 120		1	
15	9A1 106 010 02	Connection (complete)		1	
16	900 385 072 01	Torx screw M 6 X 25		2	
17	999 707 590 40	O-ring 21,35 X 3,00		3	
18	9A1 106 550 00	Breather line		1	
19	997 106 802 04	Spring clip		3	
20	999 512 686 09	Hose clamp B 17 X 12		1	
21	999 707 658 40	O-ring 22 X 3		4	
22	900 385 041 01	Torx screw M 6 X 12		3	
23	9A2 106 625 01	Water pipe	return	1	
24	999 707 589 40	O-ring 31 X 3		2	
25	999 707 517 40	O-ring 22 X 3		2	
26	9A1 106 546 00	Bungs		3	
26	0PB 121 099	Bungs		3	
27	900 378 317 01	Hexagon bolt M 6 X 25		1	
28	999 084 638 01	Hexagon nut M 6		1	
29	900 385 070 01	Torx screw BM 6 X 50		1	
29	PAF 008 685 00	Torx screw BM 6 X 50		1	
30	9A1 106 513 70	Molded hose heat exchanger	return	1	
31	9A1 106 515 70	Molded hose	return	1	
32	9A2 106 512 71	Molded hose heat exchanger		1	



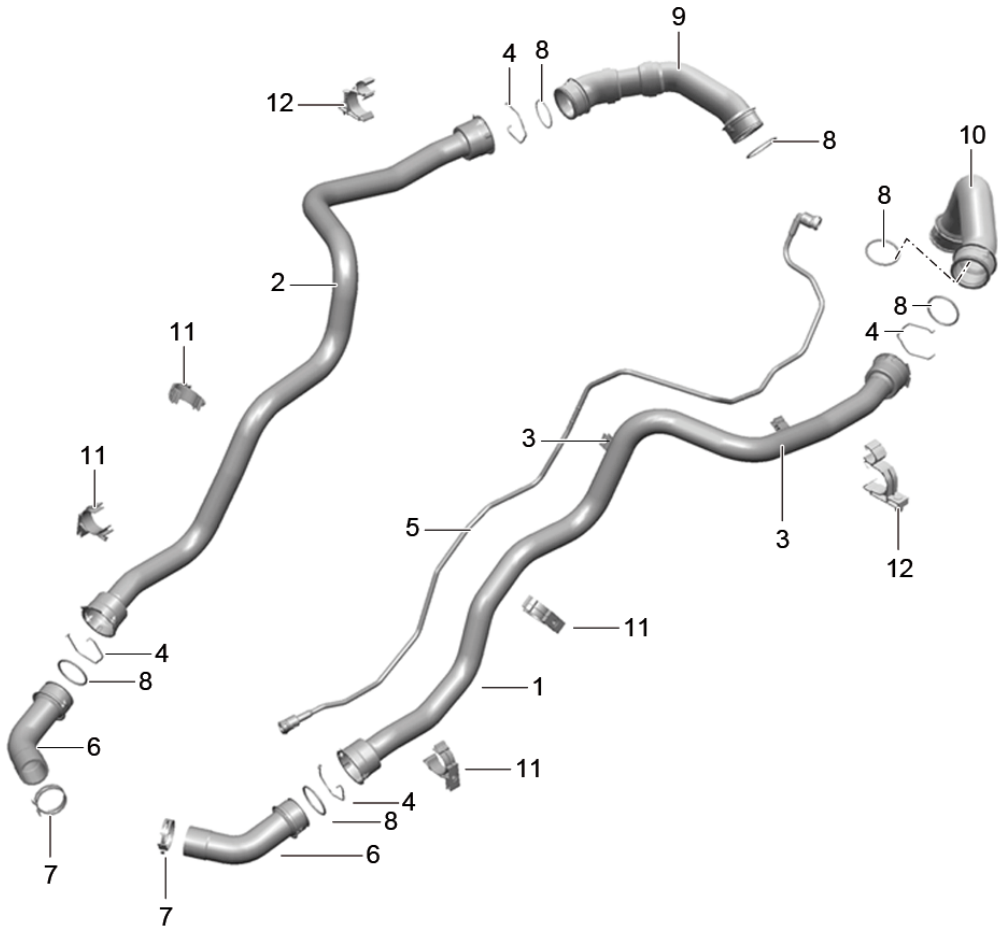
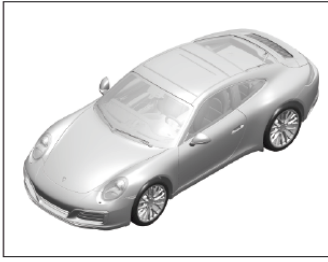
Model: 991-16

Model life 2017&gt;&gt;

Pos	Part Number	Description	Remark	Qty	Model
33	9A1 106 516 71	Water line Distributor tube	feed  return	1	

Model: 991-16

Model life 2017>>



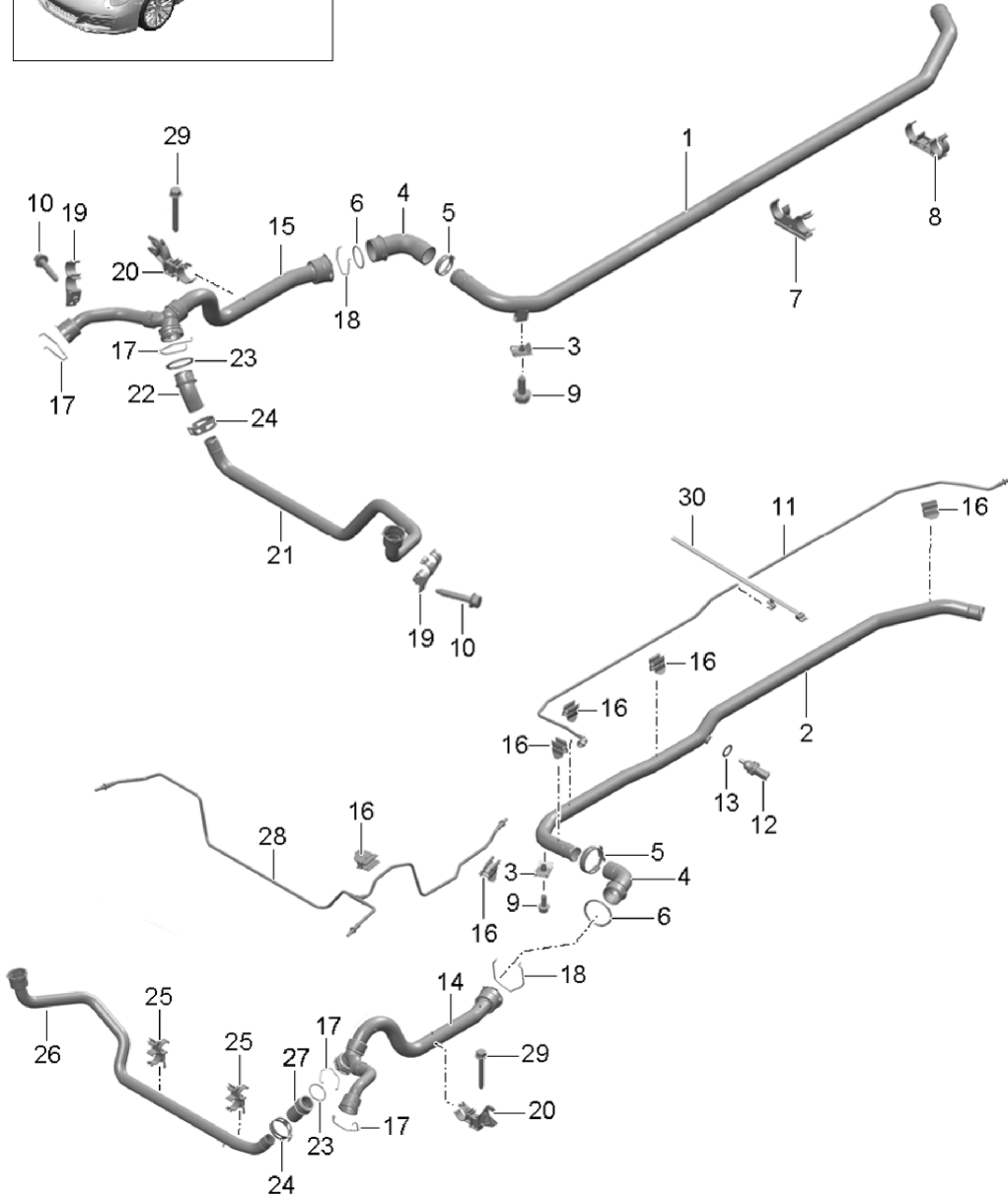
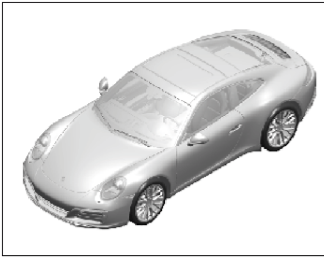
Model: 991-16

Model life 2017>>

Pos	Part Number	Description	Remark	Qty	Model
1	9P1 121 567	Water cooling 1 Coolant pipe		1	
2	9P1 121 568	Coolant pipe	return	1	
3	991 106 512 02	Bracket	feed	2	
4	997 106 802 03	Spring		4	
5	9P1 121 638	Breather line		1	
6	991 106 740 01	Water hose		2	
7	999 512 667 09	Hose clamp		2	
8	996 106 801 03	O-ring		6	
9	9P1 121 641	Water hose		1	
10	9P1 121 642	Water hose		1	
11	991 106 415 02	Bracket		4	
		Water pipe			
12	9P1 121 660	Bracket		2	
		Water pipe			
		No longer use the part here			
(12)	991 106 417 03	Bracket		2	
		Water pipe			

Model: 991-16

Model life 2017>>



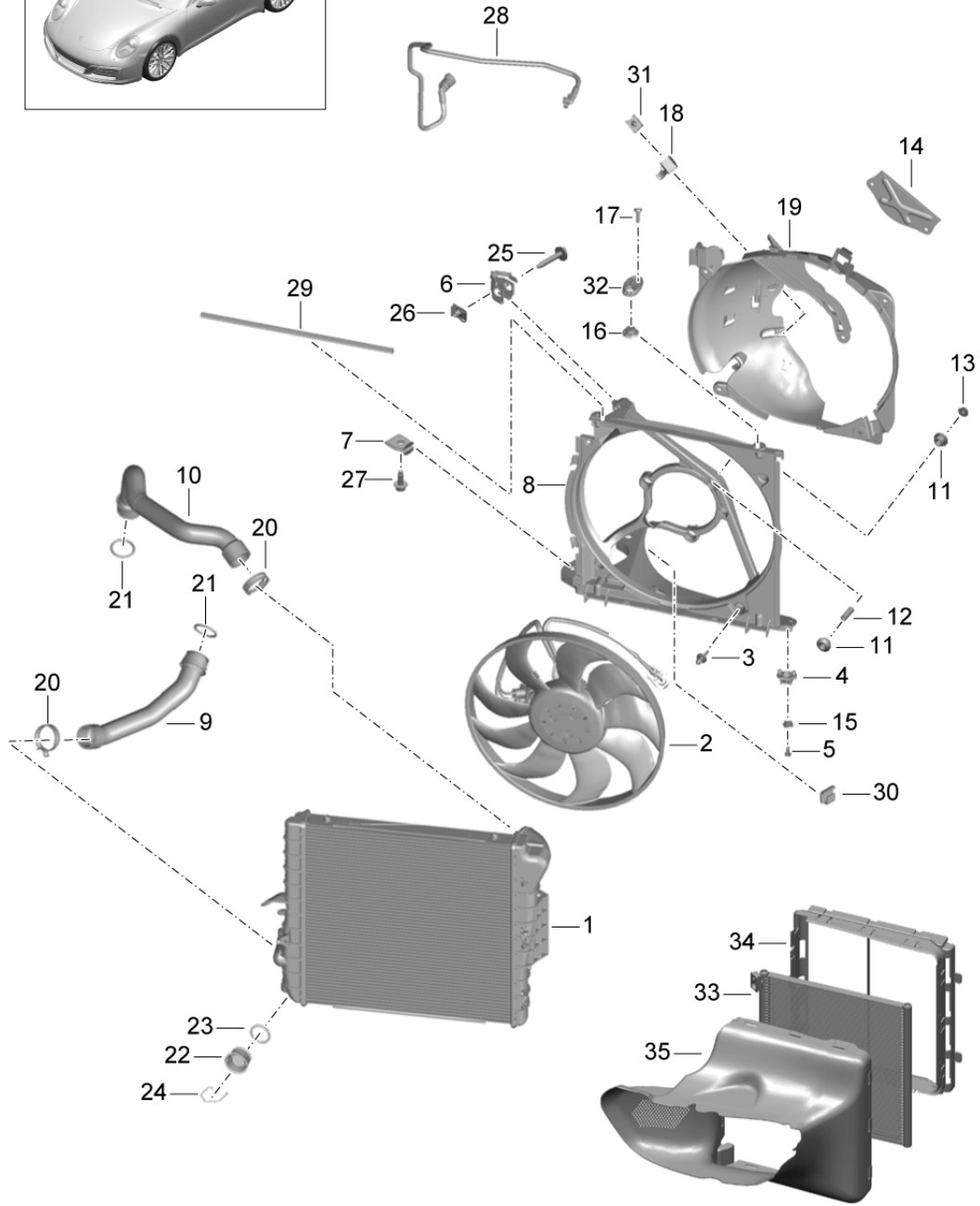
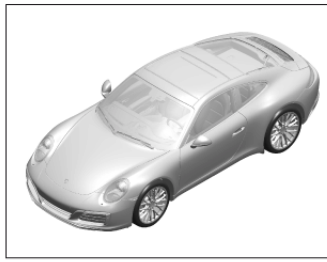
Model: 991-16

Model life 2017&gt;&gt;

Pos	Part Number	Description	Remark	Qty	Model
1	991 106 651 02	Water cooling 2 Coolant pipe	feed	1	
2	991 106 652 02	Coolant pipe	return	1	
3	999 507 246 01	panel nut		2	
4	991 106 551 01	Water hose		2	
5	999 512 667 09	Hose clamp B 44 X 12		2	
6	996 106 801 03	O-ring		4	
7	991 106 540 01	Bracket		1	
8	991 106 541 01	Bracket		1	
9	900 378 155 01	Hexagon bolt M 6 X 16		2	
10	900 378 141 01	Hexagon bolt M 6 X 35		4	
11	991 106 227 03	Breather line		1	
12	948 606 420 00	Temperature sensor		1	
13	900 123 111 20	seal ring A14 X 20		1	
14	991 106 751 03	Distributor tube see Technical information 44/12		1	
15	991 106 752 03	Distributor tube see Technical information 44/12		1	
16	991 106 512 02	Bracket		6	
17	997 106 802 01	Spring		6	
18	997 106 802 03	Spring		2	
19	991 106 525 02	Bracket		2	
20	991 106 413 03	Bracket		2	
21	991 106 711 02	Cross tube see Technical information 44/12		1	
22	991 106 724 00	Water hose		1	
23	996 106 801 02	O-ring		2	
24	999 512 664 09	Hose clamp B 36 X 12		2	
25	991 106 527 02	Bracket		2	
26	991 106 720 02	Cross tube see Technical information 44/12		1	
27	991 106 723 00	Water hose		1	
28	991 106 767 03	Breather line		1	
29	900 378 270 01	Hexagon bolt M 6 X 45		2	
30	N 107 603 01	Combination holder 30,0 / 8,0		1	

Model: 991-16

Model life 2017>>



Model: 991-16

Model life 2017>>

Pos	Part Number	Description	Remark	Qty	Model
1	991 106 141 01	Water cooling 3 Cooler for coolant	left	1	
		No longer use the part here			
1	9P1 121 251	Cooler for coolant	left	1	
(1)	991 106 142 01	Cooler for coolant	right	1	
		No longer use the part here			
(1)	9P1 121 252	Cooler for coolant	right	1	
2	9P1 959 455 BY	Fan		2	
3	999 591 525 40	Spreader rivet		10	
4	991 106 755 03	Bracket		2	
		also use:	999 919 306 01		
5	999 919 306 01	Screw		4	
		with:			
		Plastic washer			
6	991 106 255 02	Cap		2	
		Assembly aux. material			
7	991 106 355 03	Clip		4	
8	9P1 121 383	Console	left	1	
		Radiator			
(8)	9P1 121 384	Console	right	1	
		Radiator			
9	9P1 121 623	Coolant hose	left feed long	1	
(9)	9P1 121 624	Coolant hose	right feed long	1	
(10)	9P1 121 611	Coolant hose	left feed short	1	
(10)	9P1 121 612	Coolant hose	right feed short	1	
11	991 624 173 00	Rubber bush		12	
		Fan			
12	991 624 175 03	spacer sleeve		6	
		Fan			
13	999 076 066 09	Hexagon nut		6	
		M 6			
14	9P1 959 541	Cap		2	
		Fan			
15	999 591 499 03	panel nut		2	
		ST 4,8			
16	991 106 331 01	Rubber bush		8	
17	999 919 258 01	Screw		8	
		6,0 X 25,0			
18	9P1 121 724	Bracket		2	
19	9P1 121 333	Air guide	left	1	
(19)	9P1 121 334	Air guide	right	1	
20	999 512 666 09	Hose clamp		4	
		B 42 X 12			
21	996 106 801 02	O-ring		4	
22	991 106 546 01	Bungs		2	
23	996 106 801 05	O-ring		2	
24	997 106 802 00	Spring		2	
25	N 105 728 02	bolt,hex.hd.with shoul.(combi)		2	
		M 8 X 50			
26	999 591 869 03	panel nut		6	
		M 8			
27	N 019 530 7	Hex collared bolt		4	
		M 8 X 25			
28	9P1 121 465	Breather line	left	1	
(28)	9P1 121 466	Breather line	right	1	

Model: 991-16

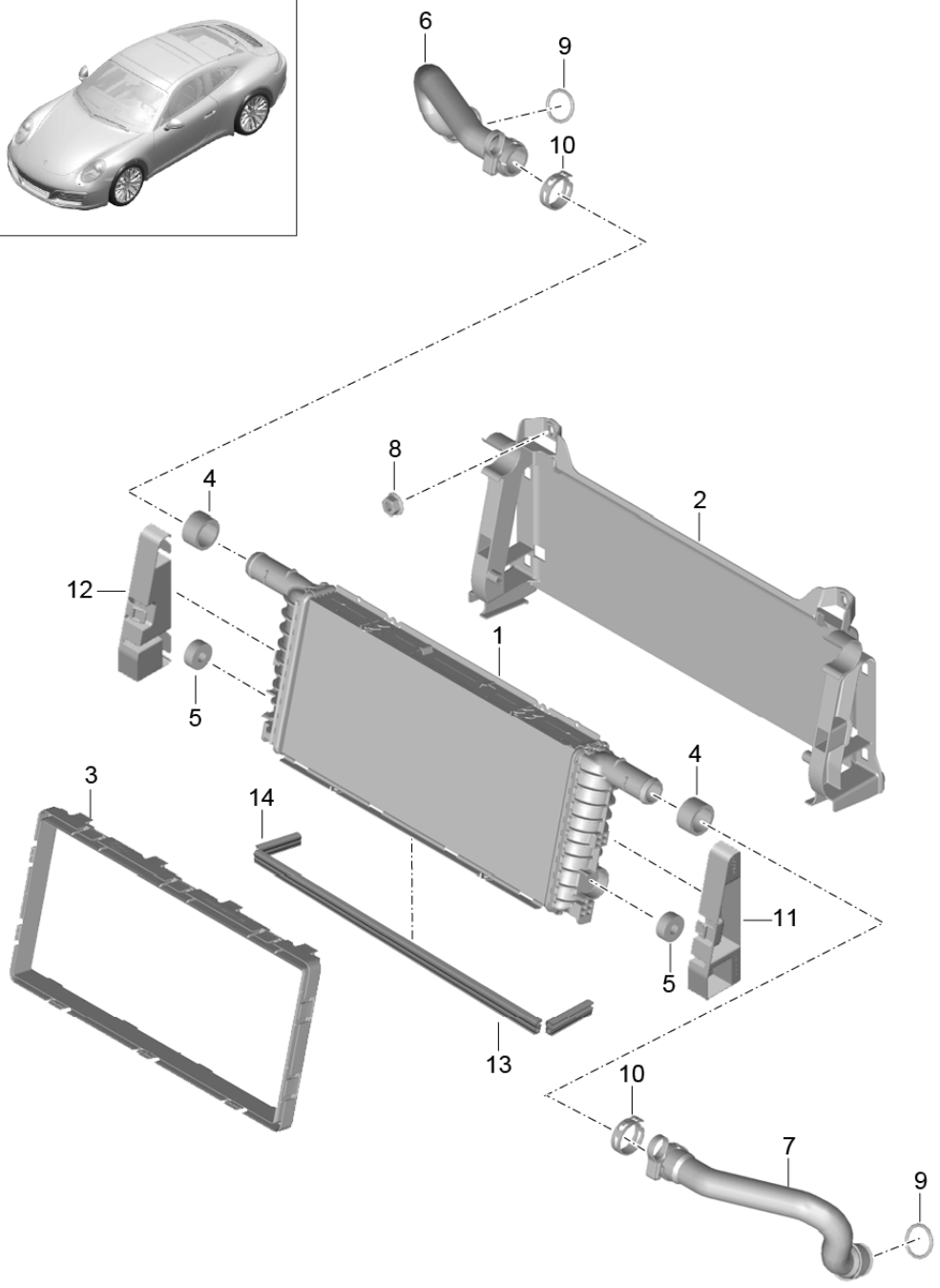
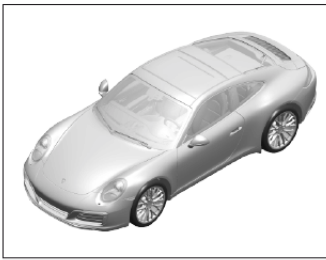
Model life 2017>>

Pos	Part Number	Description	Remark	Qty	Model
29	9P1 121 228	Seal		6	
30	9P1 121 299	Cap		2	
31	999 507 759 01	panel nut 4,8		2	
32	9P1 121 241	Bracket		8	
33		Condenser			
		see illustration:	813-020		
34		Sealing frame Condenser			
		see illustration:	813-020		
35		Air guide			
		see illustration:	813-020		



Model: 991-16

Model life 2017>>



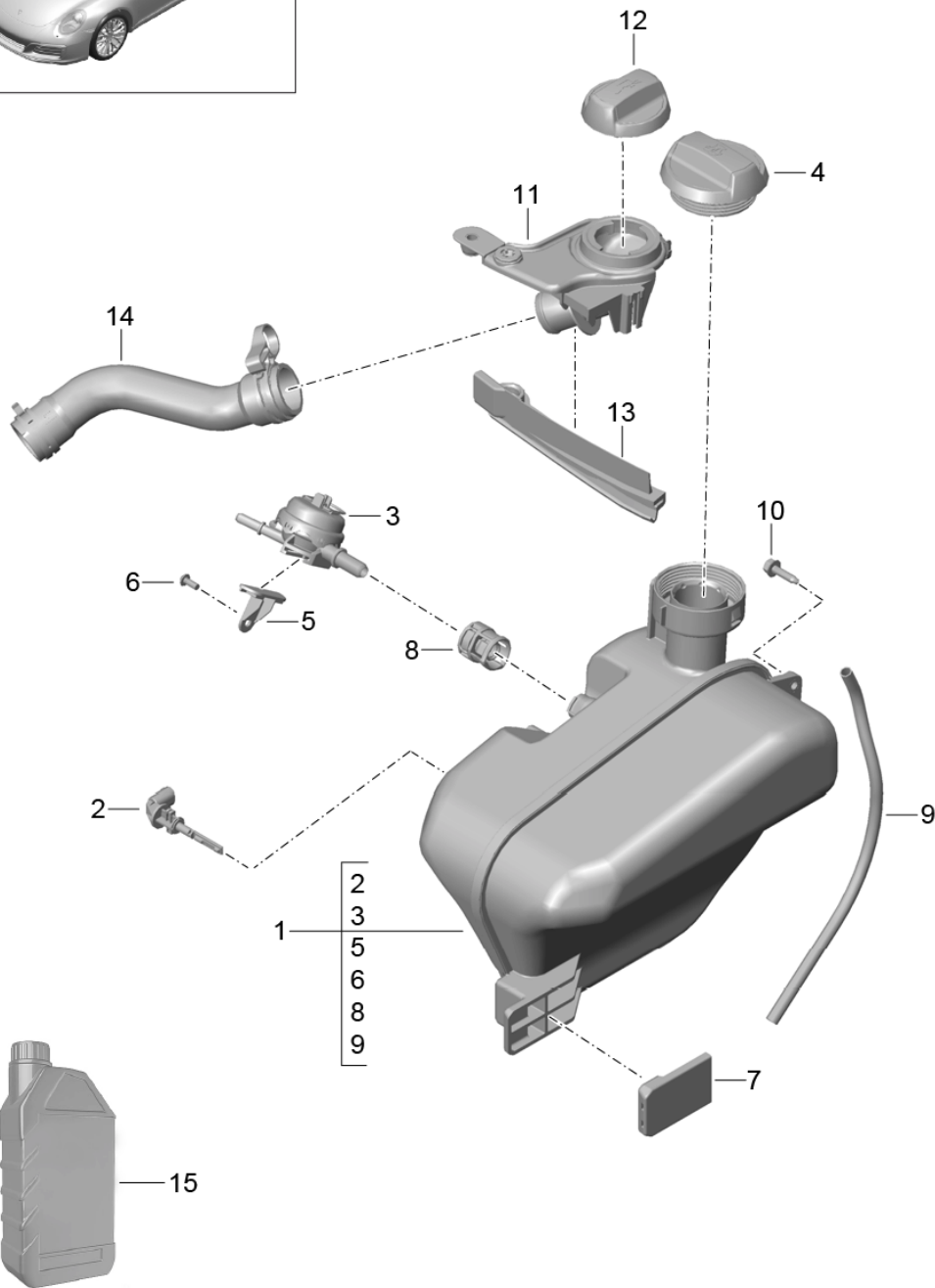
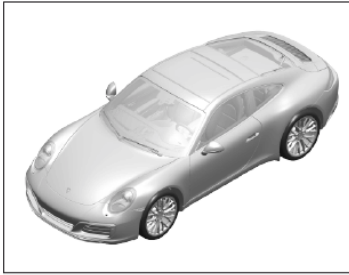
Model: 991-16

Model life 2017>>

Pos	Part Number	Description	Remark	Qty	Model
1	9P1 121 253	Radiator Radiator	center center	1	PR:153
		with:			
2	9P1 121 291	Air guide Sealing frame Air guide Retaining frame		1	
3	991 106 337 01	Sealing frame		1	
4	991 106 537 01	Rubber bush	upper	2	
5	991 106 538 02	Rubber bush	lower	2	
6	9P1 121 629	Water hose		1	
7	9P1 121 630	Water hose		1	
8	999 084 638 01	Hexagon nut		4	
9	996 106 801 05	O-ring		2	
10	999 512 671 09	Hose clamp B 34 X 12		2	
11	9P1 121 483	Cover	left	1	
12	9P1 121 484	Cover	right	1	
13	9P1 121 687	Seal		1	
14	9P1 121 687 A	Seal		2	

Model: 991-16

Model life 2017>>



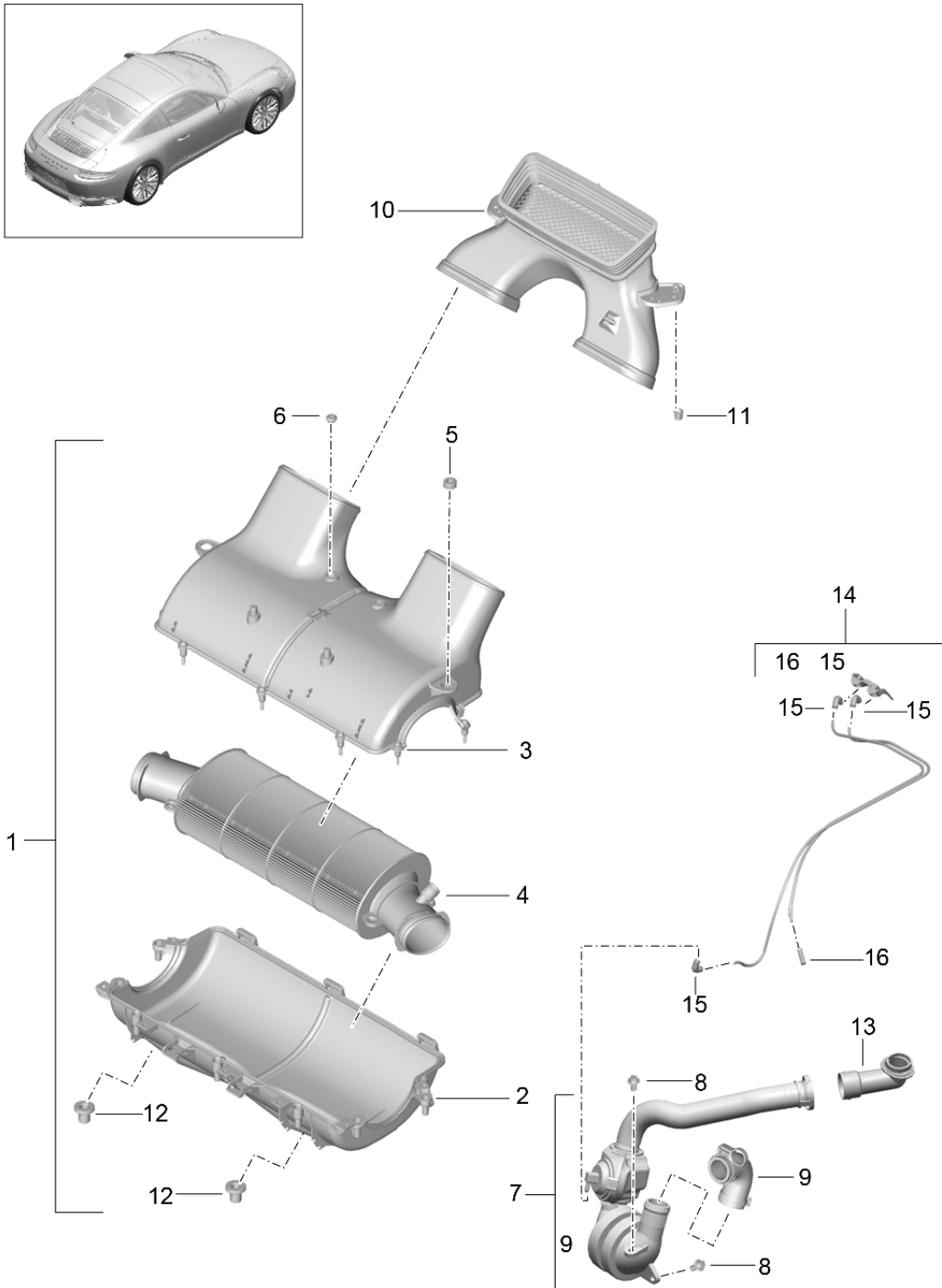
Model: 991-16

Model life 2017>>

Pos	Part Number	Description	Remark	Qty	Model
		Water cooling 4			
		Water reservoir			
		Oil inlet			
1	991 106 157 04	Water reservoir		1	
2	970 606 503 00	water level sender		1	
		Water reservoir			
3	7P5 121 671 A	Bleed valve		1	
4	991 106 457 01	End cap		1	
		Coolant			
5	991 106 449 01	Bracket		1	
		Bleed valve			
6	999 919 164 01	fillister hd. bolt		1	
		M 5 X 12			
7	991 106 357 01	Rubber holder		1	
8	999 230 595 40	Coupling		1	
9	991 106 297 00	Overflow hose		1	
10	900 378 317 01	Hexagon bolt		2	
		M 6 X 25			
11	9P1 115 653	oil filler pipe		1	
		engine oil			
12	9P1 115 423	End cap		1	
13	991 106 473 00	Seal		1	
14	9P1 115 310	Filling hose		1	
		engine oil			
15	000 043 305 15	Coolant additive	1.0 Ltr.	X	
(15)	000 043 305 16	Coolant additive	20ltr.	X	
(15)	000 043 305 64	Cleaning solution	20ltr.	X	

Model: 991-16

Model life 2017>>



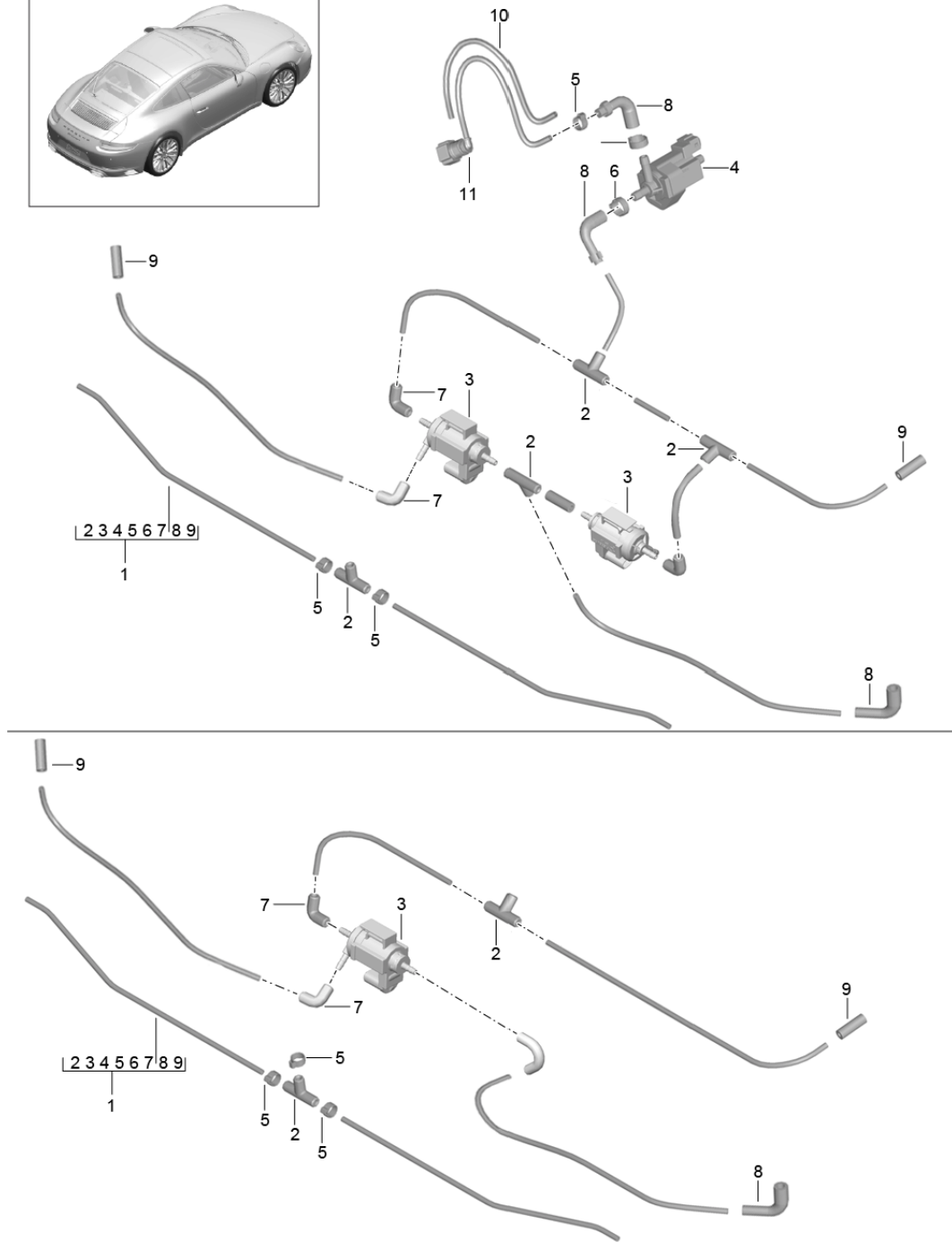
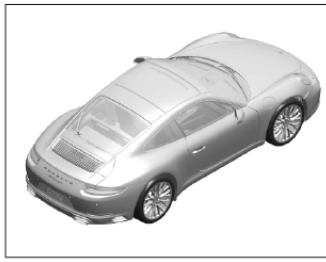
Model: 991-16

Model life 2017>>

Pos	Part Number	Description	Remark	Qty	Model
1	9P1 129 634	Air filter		1	
2	9P1 129 614	Air filter housing		1	
3	9P1 129 613	Air filter Lower part housing		1	
4	9P1 129 620	Air filter Upper part element		1	
5	999 702 319 41	Grommet		2	
6	9P1 129 689	Rubber buffer		2	
7	9P1 129 504 B	Line	left	1	
(7)	9P1 129 504 C	Diaphragm Air filter Body	right	1	
8	900 385 009 01	Line		4	
9	9P1 129 678	Torx screw 6 X 16		2	
10	9P1 129 533 A	Hose		1	
11	997 110 239 00	Diaphragm	with:	2	
12	999 703 267 40	Clamp		2	
13	9P1 129 637	intake manifold		2	
14	9P1 129 139 B	Support		1	
15	9A1 110 666 00	Pin		3	
16	999 239 048 40	bush		1	
		12 X 25,6 X 17 connection piece		2	
		Diaphragm		1	
		Vacuum line (complete)		1	
		Connecting piece		3	
		Hose 4,5 X 2,5 X 28		1	

Model: 991-16

Model life 2017>>



Model: 991-16

Model life 2017>>

Pos	Part Number	Description	Remark	Qty	Model
1	991 110 180 30	Air filter Vacuum control Vacuum line Air filter (complete) Not available Individual parts Use		1	PR:008,-176
(1)	991 110 181 30	No longer use the part here Vacuum line Air filter (complete) Not available Individual parts Use		1	PR:009,-176
(1)	991 110 181 30	No longer use the part here Vacuum line Air filter (complete) Not available Individual parts Use		1	PR:176
2	06E 133 794	t-piece		2	PR:008,-176
2	06E 133 794	t-piece		4	PR:009,176
3	7PP 906 283 F	Change-over valve		1	PR:008,-176
3	7PP 906 283 F	Change-over valve		2	PR:009,176
4	9A1 605 125 01	Change-over valve		1	
5	999 512 707 00	Ear crimp hose clamp 9,6 - 11,3		5	
6	999 512 498 00	Hose clamp 13,1 - 15,3		2	
7	9A1 110 666 00	Connecting piece		3	
8	9A1 110 667 00	Molded hose		4	
9	999 239 048 40	Hose 4,5 X 2,5 X 28		2	PR:008,-176
9	999 239 048 40	Hose 4,5 X 2,5 X 28		3	PR:009,176
10	999 181 445 40	Protective hose 5,0 X 200		1	
11	9A1 110 172 70	Vacuum line		1	
		with:			
-	900 918 005 40	Coupling 5,0X1,0X220 Pipe 5,0X1 modify in workshop Shorten		X	
12		Vacuum line L=315MM		1	
13		Vacuum line L=70MM		1	
14		Vacuum line L=150MM		1	PR:008,-176
14		Vacuum line L=150MM		2	PR:009,176
15		Vacuum line L=185MM		1	PR:009,176
16		Vacuum line L=350MM		1	PR:009,176
17		Vacuum line L=20MM		1	PR:009,176
18		Vacuum line		1	PR:009,176



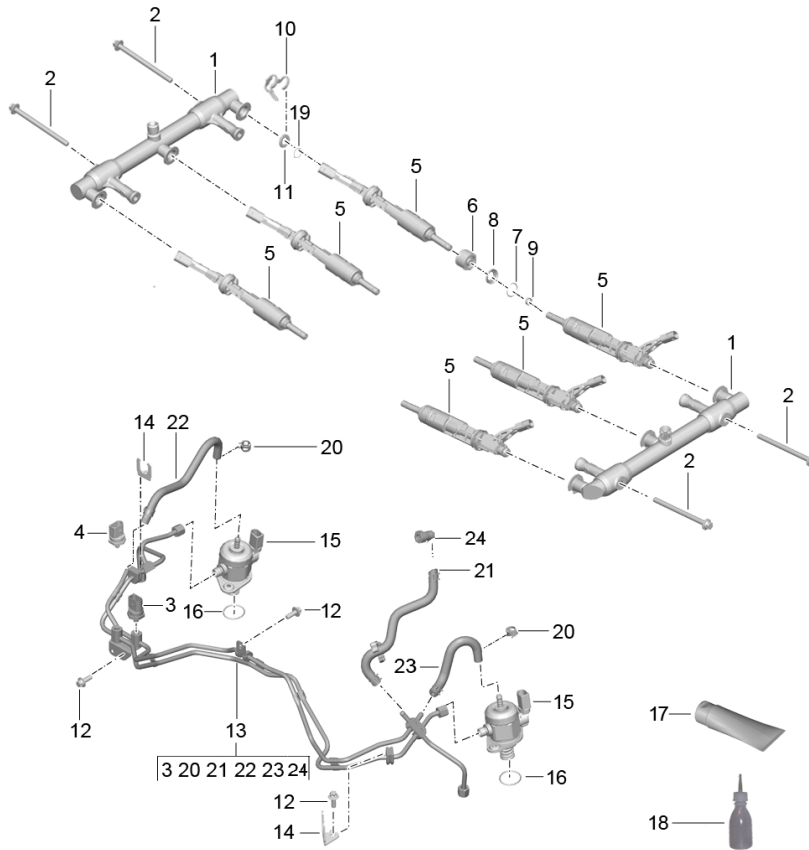
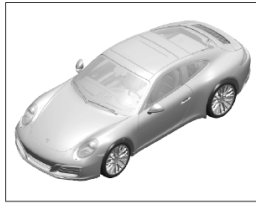
Model: 991-16

Model life 2017&gt;&gt;

Pos	Part Number	Description	Remark	Qty	Model
19		L=60MM Vacuum line L=220MM		1	PR:009,176

Model: 991-16

Model life 2017>>



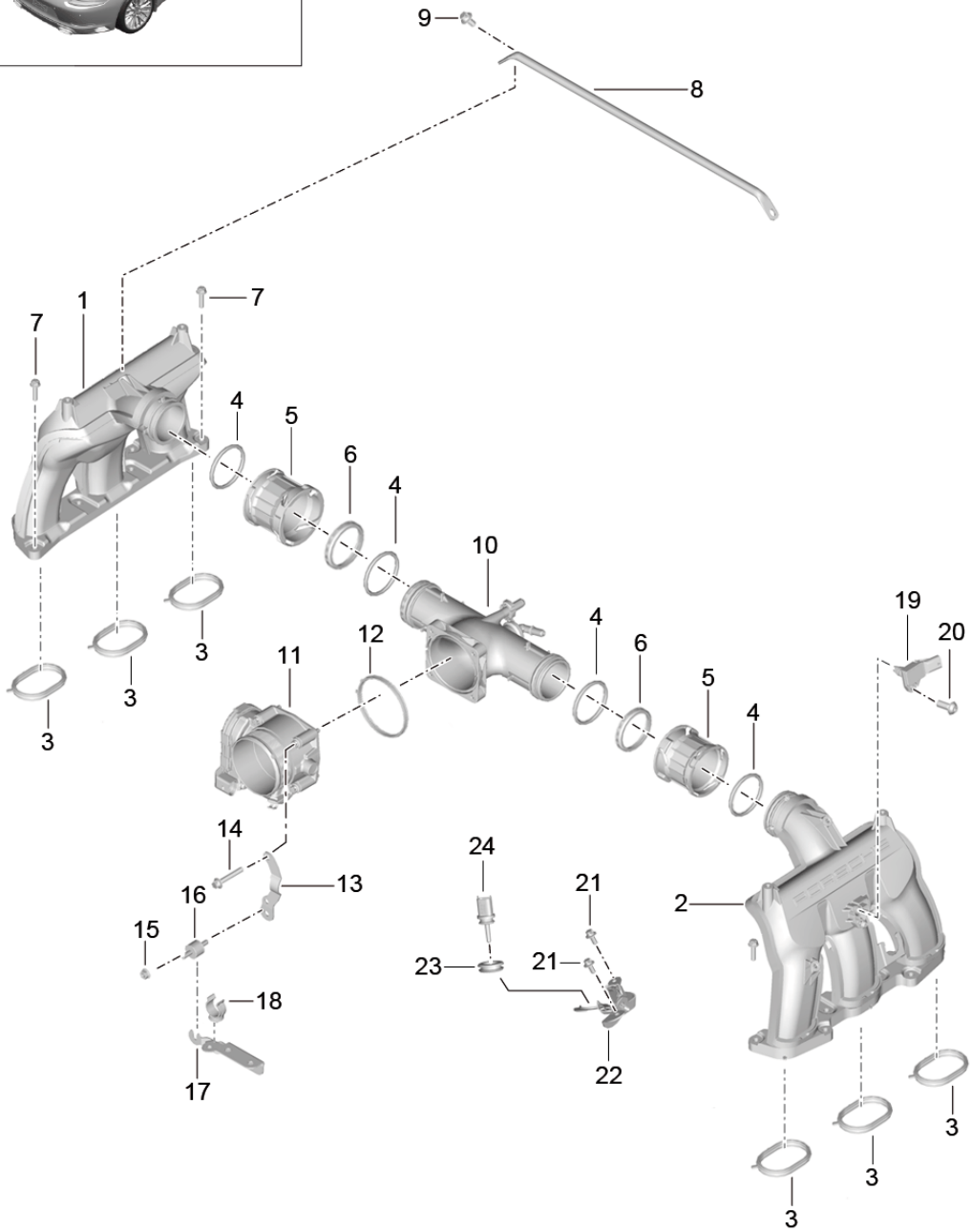
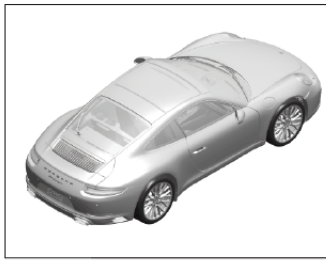
Model: 991-16

Model life 2017>>

Pos	Part Number	Description	Remark	Qty	Model
		Fuel collection pipe high pressure pump			
1	9A2 110 403 00	Fuel collection pipe		2	
2	900 385 172 01	Torx screw BM 6 X 85		4	
3	06H 906 051 G	Pressure sensor Low-pressure switch		1	
4	9P1 906 051	Pressure sensor		1	
5	9A2 110 316 01	high-pressure injector		6	
5	9A2 110 316 02	high-pressure injector		6	
6	9A2 110 516 00	Seal		6	
7	946 110 628 60	Securing ring		6	
8	946 110 528 60	Spacer ring		6	
9	946 110 428 60	seal ring		6	
10	946 110 228 60	Bracket high-pressure injector		6	
11	999 701 187 41	O-ring 5394 X 3,53		6	
12	900 385 009 01	Torx screw M 6 X 16		4	
13	9A2 110 453 03	Fuel line (complete)		1	
14	9A2 110 552 00	Retainer for fuel line		2	
15	9A2 110 315 00	high pressure pump		2	
(15)	9A2 110 315 AX	high pressure pump		2	
16	999 701 048 40	O-ring 31,00 X 2,00		2	
17	000 043 207 35	Grease 30 ML		1	
18	000 043 303 27	Lubricants 50ML		1	
19	9A2 110 328 00	Spacer ring		6	
20	N 910 203 01	Spring band clamp		6	
21	9A2 110 557 00	Fuel hose without:		1	
22	9A2 110 558 00	Connection piece Fuel hose		1	
23	9A2 110 559 00	Fuel hose		1	
24		Connection piece * single parts no available * Use item: 9A2.110.453.03		1	

Model: 991-16

Model life 2017>>



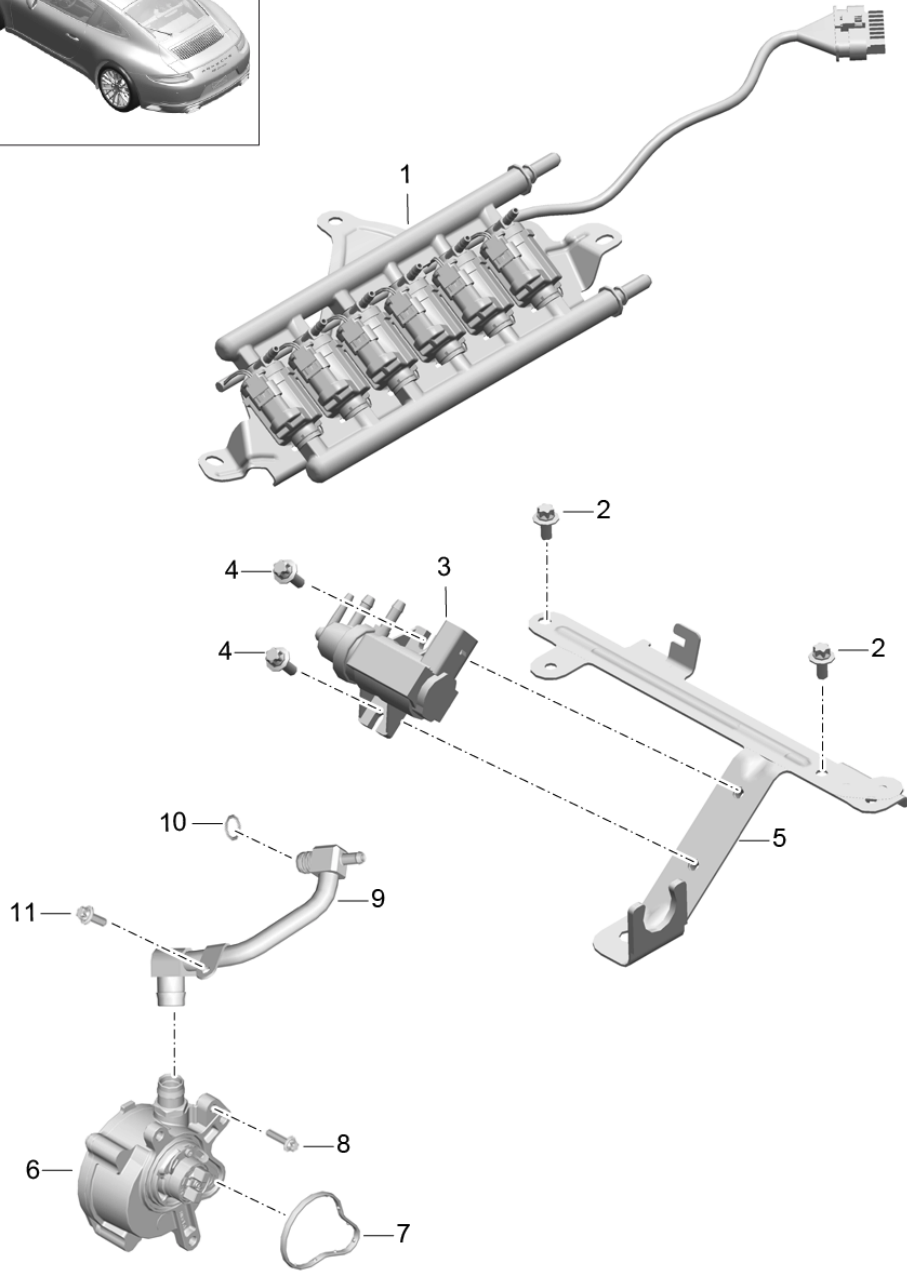
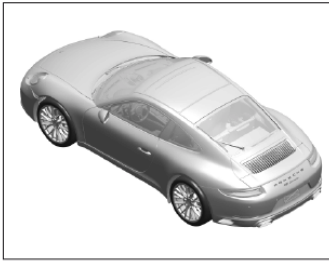
Model: 991-16

Model life 2017&gt;&gt;

Pos	Part Number	Description	Remark	Qty	Model
1	9A2 110 135 02	intake air distributor throttle valve adapter intake air distributor	cylinders 1-3	1	
2	9A2 110 136 02	intake air distributor		1	
3	9A2 110 218 00	Seal	cylinders 4-6	6	
4	999 707 642 40	O-ring 53,00X5,00		4	
5	9A1 110 222 71	Sleeve pressure pipe		2	
6	9A1 110 223 70	seal ring		2	
7	900 385 072 01	Distributor tube Torx screw M6 X 25		12	
8	9A1 110 249 70	Bracket intake air distributor		1	
9	900 385 041 01	Torx screw M 6 X 12		2	
10	9A2 110 137 02	Distributor tube		1	
11	9A2 605 115 00	throttle valve adapter No longer use the part here		1	
(11)	9A2 605 115 02	throttle valve adapter		1	
12	9A2 110 320 00	Seal throttle valve adapter		1	
13	9A2 110 290 00	Retaining bracket throttle valve adapter		1	
14	900 385 045 01	Torx screw BM 6X40		4	
15	900 377 010 01	Hexagon nut M6		1	
16	999 703 239 01	sound absorber piece		1	
17	9A2 110 292 01	Bracket for compressor throttle valve adapter		1	
18	999 507 930 40	Hose bracket 21,0 - 23,0		1	
19	06E 906 051 AA	Pressure sensor No longer use the part here		1	
19	9A7 906 051 10	Pressure sensor		1	
20	999 919 241 01	Oval-head screw M 6 X 15 No longer use the part here		1	
20	N 107 214 01	oval hd. self-tapp fitt. screw		1	
21	900 385 041 01	Torx screw BM 6 X 12		2	
22	9A2 606 178 01	Bracket Temperature sensor		1	
23	993 110 530 01	Grommet Temperature sensor		1	
24	997 606 213 00	Temperature sensor		1	

Model: 991-16

Model life 2017>>



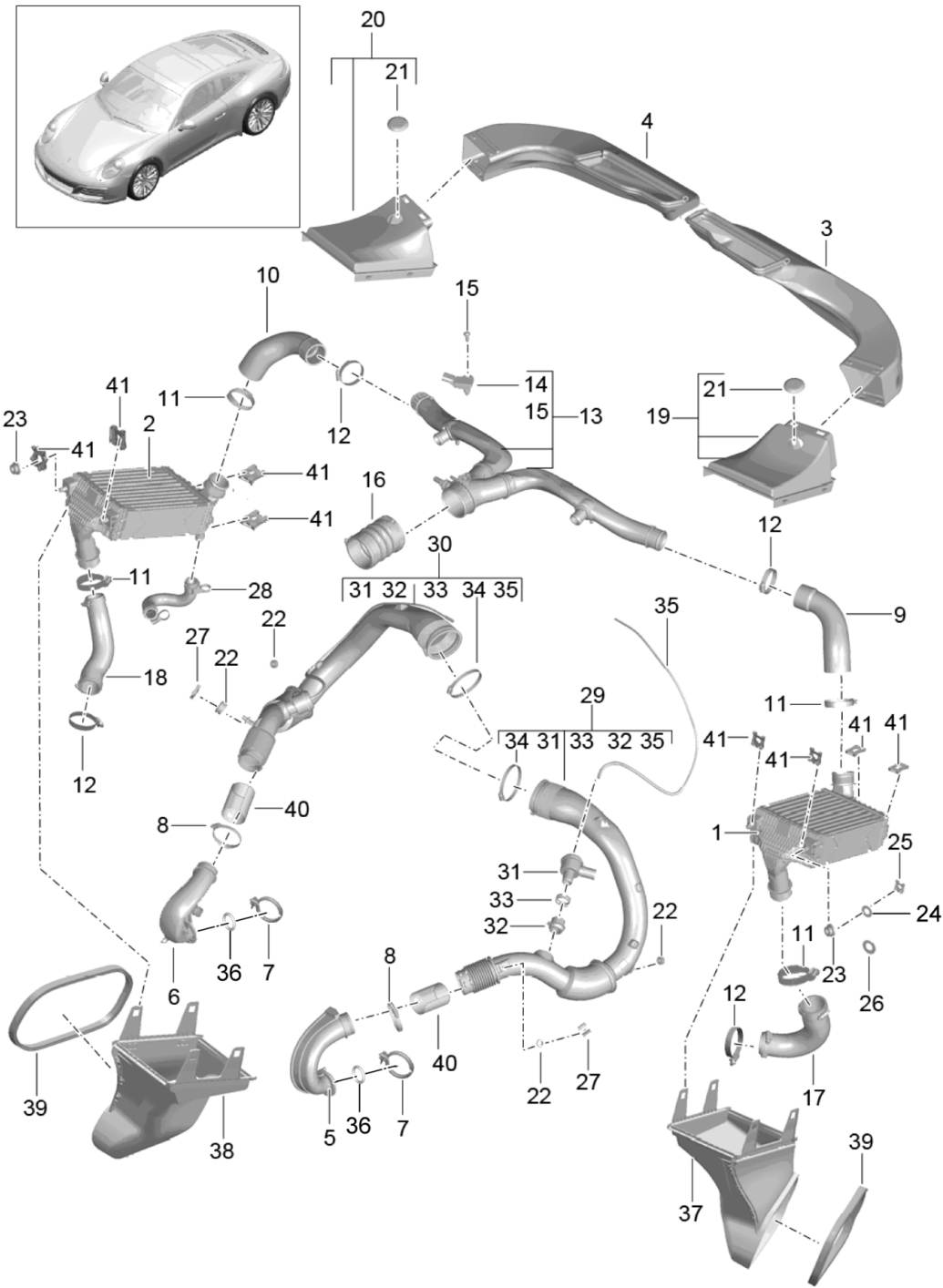
Model: 991-16

Model life 2017>>

Pos	Part Number	Description	Remark	Qty	Model
		vacuum system			
		Engine			
1	9A7 906 283 00	Vacuum pump		1	
		Valve block			
		Change-over valve			
2	900 385 041 01	Torx screw		6	
		M 6 X 12			
3	9A7 906 627 00	Pressure converter		2	
4	900 385 009 01	Torx screw		2	
		BM 6 X 16			
5	9A2 606 171 01	Bracket		1	
		Pressure converter			
6	9A2 110 070 02	Vacuum pump		1	
		Discontinued part			
6	9A7 145 100 00	Vacuum pump	0PB145100	1	
7	9A2 110 710 00	Seal		1	
8	900 385 072 01	Torx screw		3	
		BM 6 X 25			
9	9A2 110 065 00	Vacuum line		1	
10	999 701 789 40	O-ring		2	
		12,00 X 2,00			
11	900 385 009 01	Torx screw		2	
		BM 6 X 16			

Model: 991-16

Model life 2017>>





Model: 991-16

Model life 2017&gt;&gt;

Pos	Part Number	Description	Remark	Qty	Model
		Charge air cooler Turbocharging			
1	9P1 145 621 A	Charge air cooler	left	1	
2	9P1 145 622 A	Charge air cooler	right	1	
3	9P1 145 333 A	Air guide	left	1	
4	9P1 145 334 A	Air guide	right	1	
5	9P1 145 583 A	Air guide	left	1	
6	9P1 145 584 A	Air guide	right	1	
7	9P1 129 260 A	Clamp 76MM		2	
8	999 512 779 01	Hose clamp 50 - 70		2	
9	9P1 145 745	Pressure hose	left	1	
10	9P1 145 746	Pressure hose	right	1	
11	N 105 188 01	Hose clamp A 40 - 60 X 12		4	
12	N 105 189 01	Hose clamp A 50 - 70 X 12		4	
13	9P1 145 683 C	pressure pipe		1	
14	06E 906 051 AA	Pressure sensor		1	
		No longer use the part here			
14	9A7 906 051 10	Pressure sensor		1	
15	999 919 134 09	fillister hd. bolt 6,0 X 16		1	
16	9P1 129 659	Air guide		1	
		with:			
17	9P1 145 719 A	Clamp Pressure hose	left	1	
18	9P1 145 720 A	Pressure hose	right	1	
19	991 575 757 01	Air guide	left	1	
20	991 575 758 01	Charge air cooler Air guide	right	1	
21	N 909 649 01	Charge air cooler Sealing cap Air guide		2	
22	999 702 319 41	Charge air cooler Grommet 10,0 X 16,8 X 9,0		4	
23	991 504 849 01	Grommet 10,0 X 16,8 X 9,0		8	
24	999 025 255 01	Washer 16,0 X 32 X 0,5		8	
25	999 166 083 09	Retaining plate SLB 14		8	
26	900 025 008 03	Washer A 10,5		2	
27	999 166 076 01	securing clip SLB 10		2	
28	9P1 129 453	Hose	left	1	
(28)	9P1 129 454	Hose	right	1	
29	9P1 145 941 B	pressure pipe	left	1	
30	9P1 145 942 B	pressure pipe	right	1	
31	9A1 110 337 70	cut-off valve		2	
32	9A1 110 662 70	Rubber sleeve		2	
33	999 512 662 09	Hose clamp B 32 X 12		2	
34	999 512 698 01	Hose clamp 70 - 90		2	
35	9P1 129 488 B	Vacuum line pressure pipe		2	
36	999 707 694 40	O-ring 45,00 X 3,00		3	
37	991 575 471 01	Air guide	lower	1	

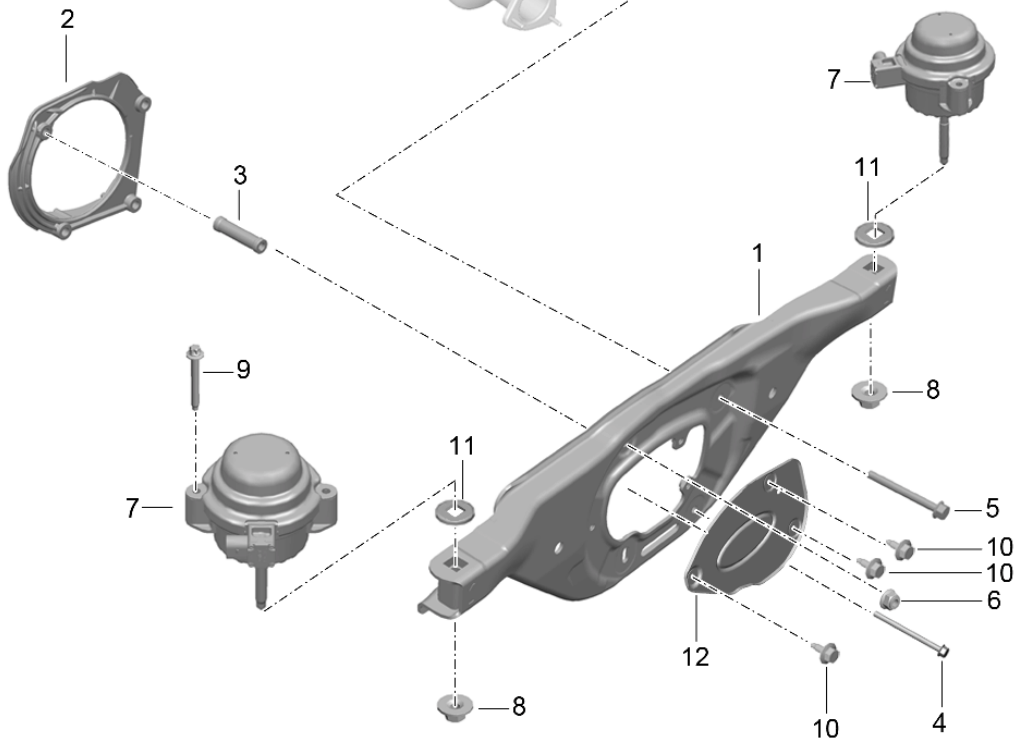
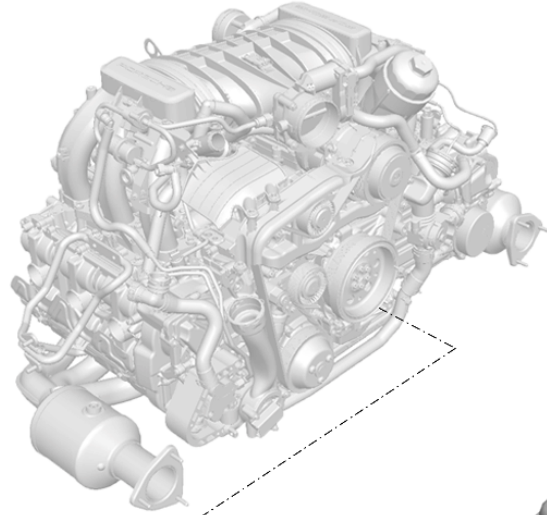
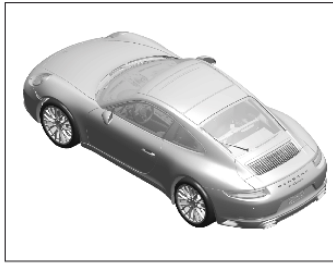
Model: 991-16

Model life 2017&gt;&gt;

Pos	Part Number	Description	Remark	Qty	Model
38	991 575 471 01 OK1	Charge air cooler Matt black	left	1	
	991 575 472 01	Air guide Charge air cooler	lower right		
39	991 575 472 01 OK1	Matt black		2	
	991 575 889 01	Seal Air guide			
40	9P1 145 707	Charge air cooler Damping		2	
41	N 902 362 03	Charge air cooler Retaining washer B10 X 0,6		8	

Model: 991-16

Model life 2017>>

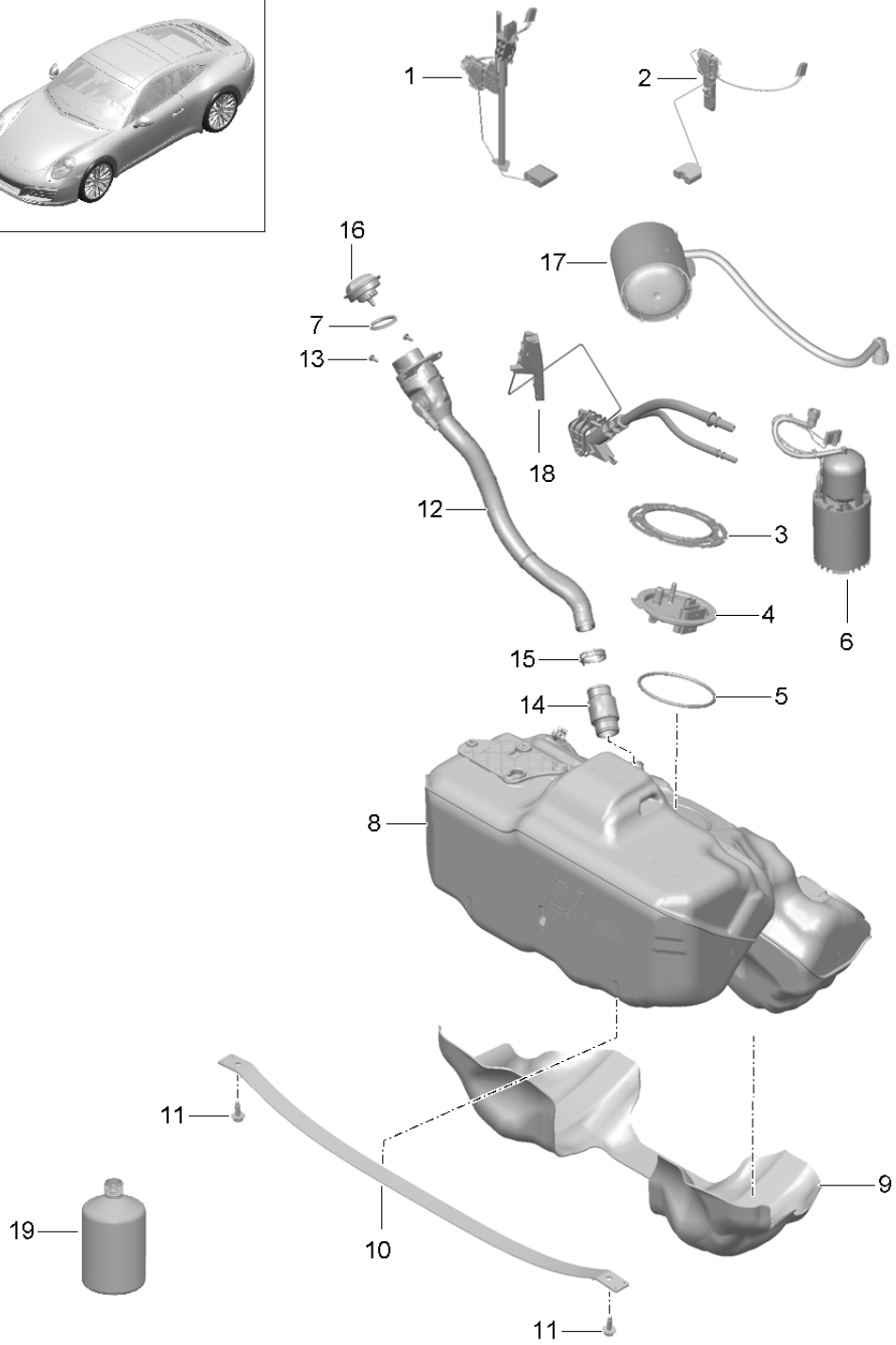
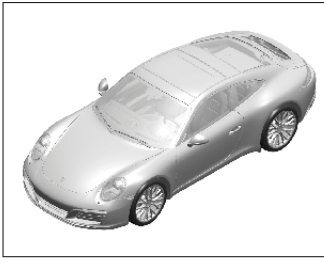


Model: 991-16 Model life 2017>>

Pos	Part Number	Description	Remark	Qty	Model
1	9A2 375 156 03	Engine suspension Engine brackets No longer use the part here		1	
1	9A2 375 056 03	Engine brackets		1	
2	9A2 375 236 02	Intermediate flange		1	
3	9A2 375 245 00	spacer sleeve Intermediate flange		1	
4	900 378 283 01	Torx screw M 10 X 130 X 32		1	
5	900 378 332 01	Hexagon flange screw M 10 X 92		1	
6	N 102 861 10	Hexagon collar nut self-locking M 10		2	
7	991 375 049 04	hydro-mounting		2	PR:-140
(7)	991 375 059 22	hydro-mounting		2	PR:140
		also use:	991 375 261 00		
		see Technical information D >> - 01.09.2016			
(7)	991 375 059 24	hydro-mounting see Technical information D - 02.09.2016>>		2	PR:140
8	N 908 484 05	Hexagon nut M 12 X 1,5		2	
9	900 385 167 01	Outer hexagon round screw M 8 X 35		4	PR:-140
(9)	900 385 168 01	Outer hexagon round screw M 8 X 65		4	PR:140
10	N 100 988 11	bolt, hex. hd. (combi.) self-locking M 6 X 16		3	
11	991 375 261 00	Shim hydro-mounting D >> - 01.09.2016		2	PR:140
12	9A2 102 251 00	Heat insulation		1	

Model: 991-16

Model life 2017>>



Model: 991-16

Model life 2017>>

Pos	Part Number	Description	Remark	Qty	Model
1	991 620 831 00	Fuel tank Tank gauge		1	C2
2	991 620 833 00	Fuel tank Tank gauge		1	C4
3	991 201 623 00	Fuel tank Union nut		1	
4	9P1 201 194	flange		1	C2
(4)	9P1 201 194 A	flange		1	C4
5	991 201 733 01	seal ring		1	
6	9P1 919 087	Fuel pump		1	C2
(6)	9P1 919 087 A	Discontinued part Fuel pump		1	C4
7	1K0 201 557 A	seal ring	also use: 9P1 201 847	1	
8	9P1 201 021	Fuel tank		1	/LL C2 PR:098
8	991 201 021 04	No longer use the part here Fuel tank	64L	1	/LL C2 PR:098
8	991 201 021 91	Fuel tank	90L	1	/LL C2 PR:098,082
(8)	991 201 021 05	Fuel tank No longer use the part here	64L	1	/LL C4 PR:098
(8)	9P1 201 075 A	Fuel tank	64L	1	/LL C4 PR:098
(8)	9P1 201 022	Fuel tank No longer use the part here		1	/RL C2 PR:099
(8)	991 201 022 04	Fuel tank	64L	1	/RL C2 PR:099
(8)	991 201 022 05	Fuel tank	64L	1	/RL C4 PR:099
9	991 201 331 00	Underside protection		1	PR:098
(9)	991 201 331 01	Underside protection		1	PR:099
(9)	991 201 331 02	Underside protection		1	
10	991 201 107 01	tensioning strap		2	C4
(10)		tensioning strap To Use Support frame 991.504.233.01 see illustration:	801-020	2	C2
11	N 911 591 01	hexagon head bolt (combi) M 8 X 40		2	C2 PR:-082
(11)	N 019 530 7	Hex collared bolt M 8 X 25		2	C4
12	991 201 044 06	fuel filler neck		1	C2 PR:-664
(12)	991 201 044 12	fuel filler neck		1	C2 PR:-664,082
(12)	991 201 044 12	fuel filler neck		1	C4 PR:-664
13	N 910 967 02	Oval hexagon socket head bolt M 6 X 16		2	
14	991 201 812 00	Hose		1	
14	9P1 201 543	Hose		1	
15	999 512 748 01	Clip B 43 X 12		2	
16	991 201 241 01	Fuel tank cap		1	PR:-XYB
(16)	000 044 001 90	with: Holding strap Fuel tank cap aluminium with: Holding strap		1	PR:XYB

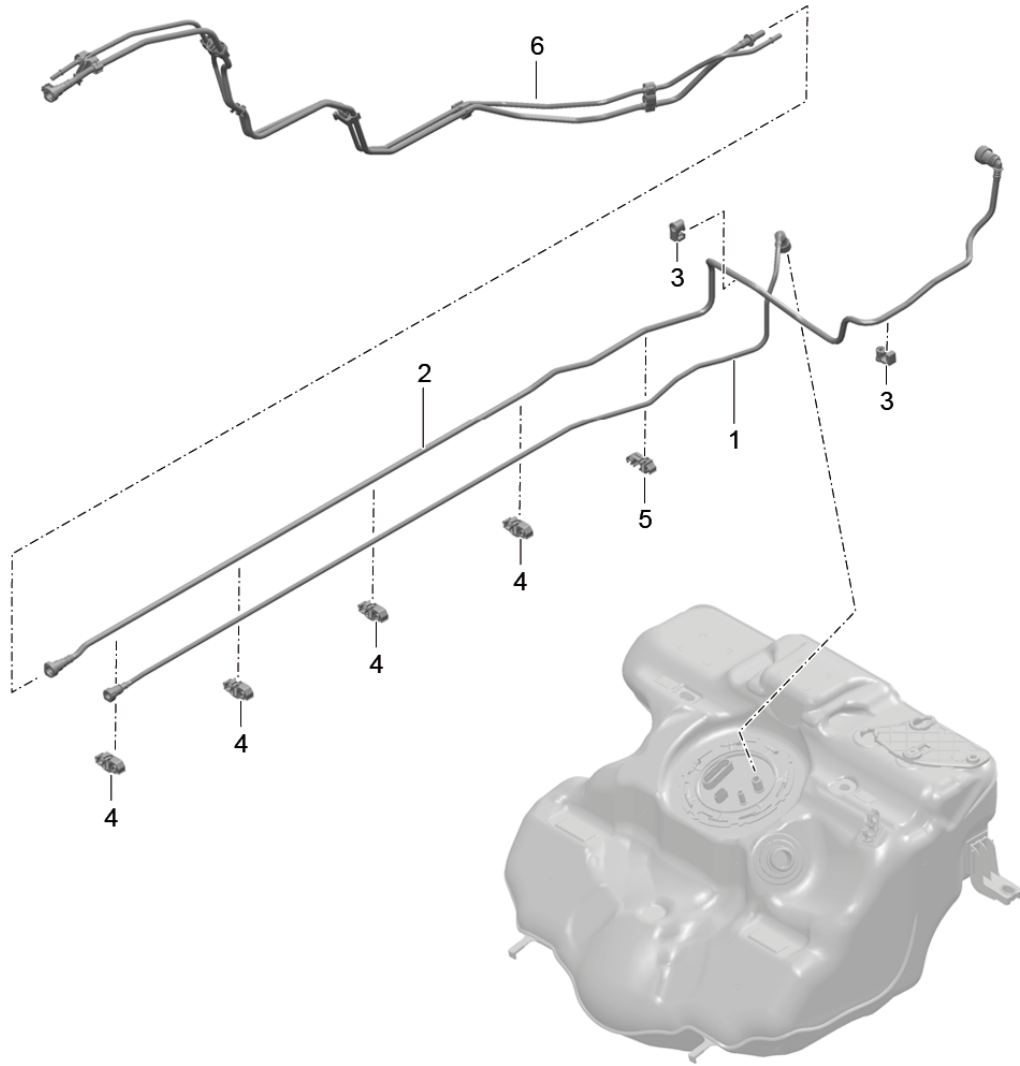
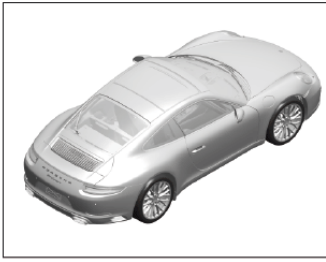
Model: 991-16

Model life 2017&gt;&gt;

Pos	Part Number	Description	Remark	Qty	Model
17	9P1 201 847	filter element		1	C4
18	991 620 123 00	suction jet pump		1	C4
19	000 043 209 02	Multi-purpose additive for Otto engine fuels 100 ML		X	

Model: 991-16

Model life 2017>>





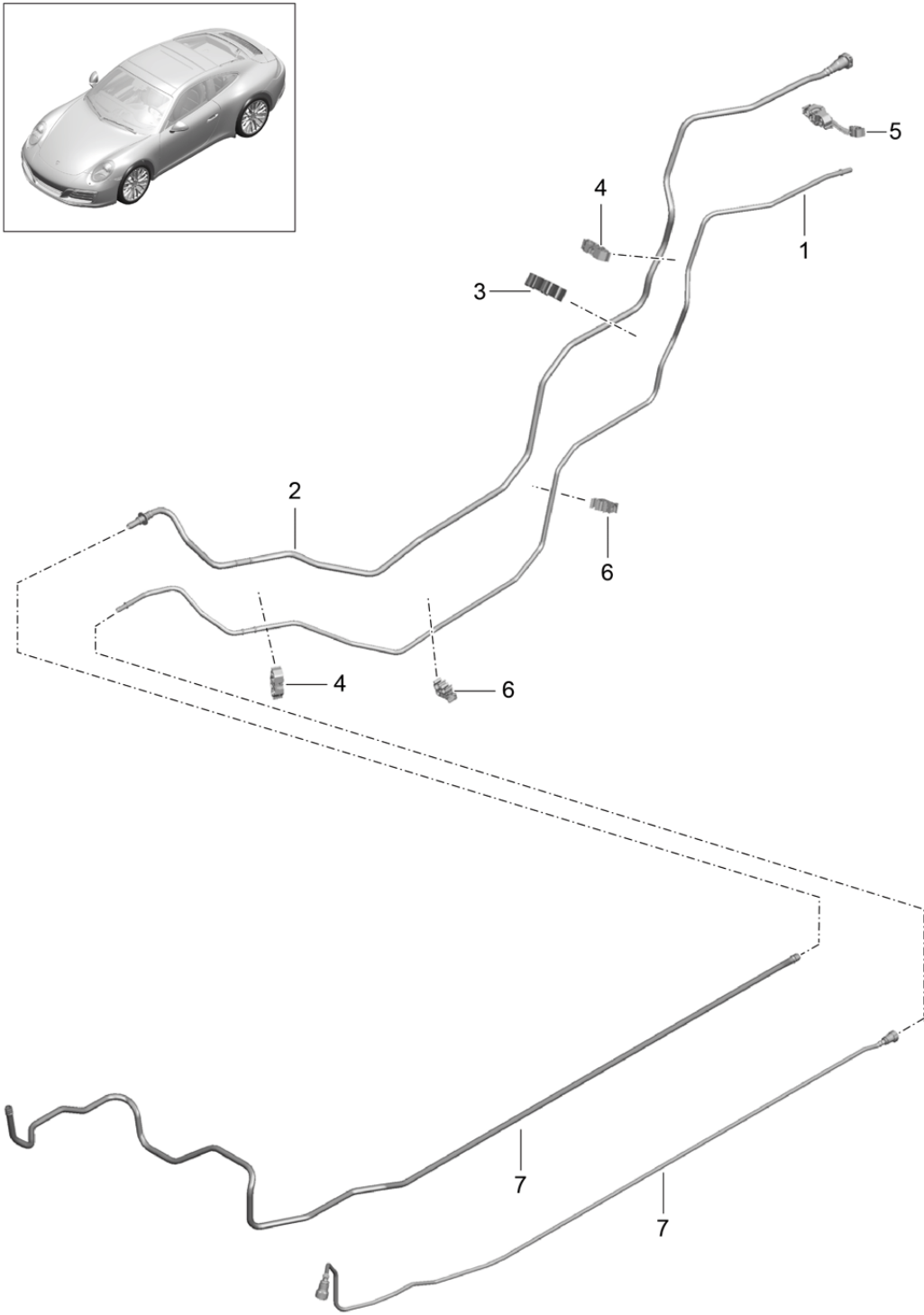
Model: 991-16

Model life 2017>>

Pos	Part Number	Description	Remark	Qty	Model
1	9P1 201 082	Fuel system Fuel line	front front	1	
2	9P1 201 915	Pressure line Purge-air line	front	1	
3	999 651 416 40	Cable holder 12,0		2	
4	999 507 269 40	Cable holder 8,0 / 12,0		4	
5	999 507 273 40	Cable holder 8,0 / 16 / 10		1	
6		Fuel line see illustration:	rear 201-010		

Model: 991-16

Model life 2017>>



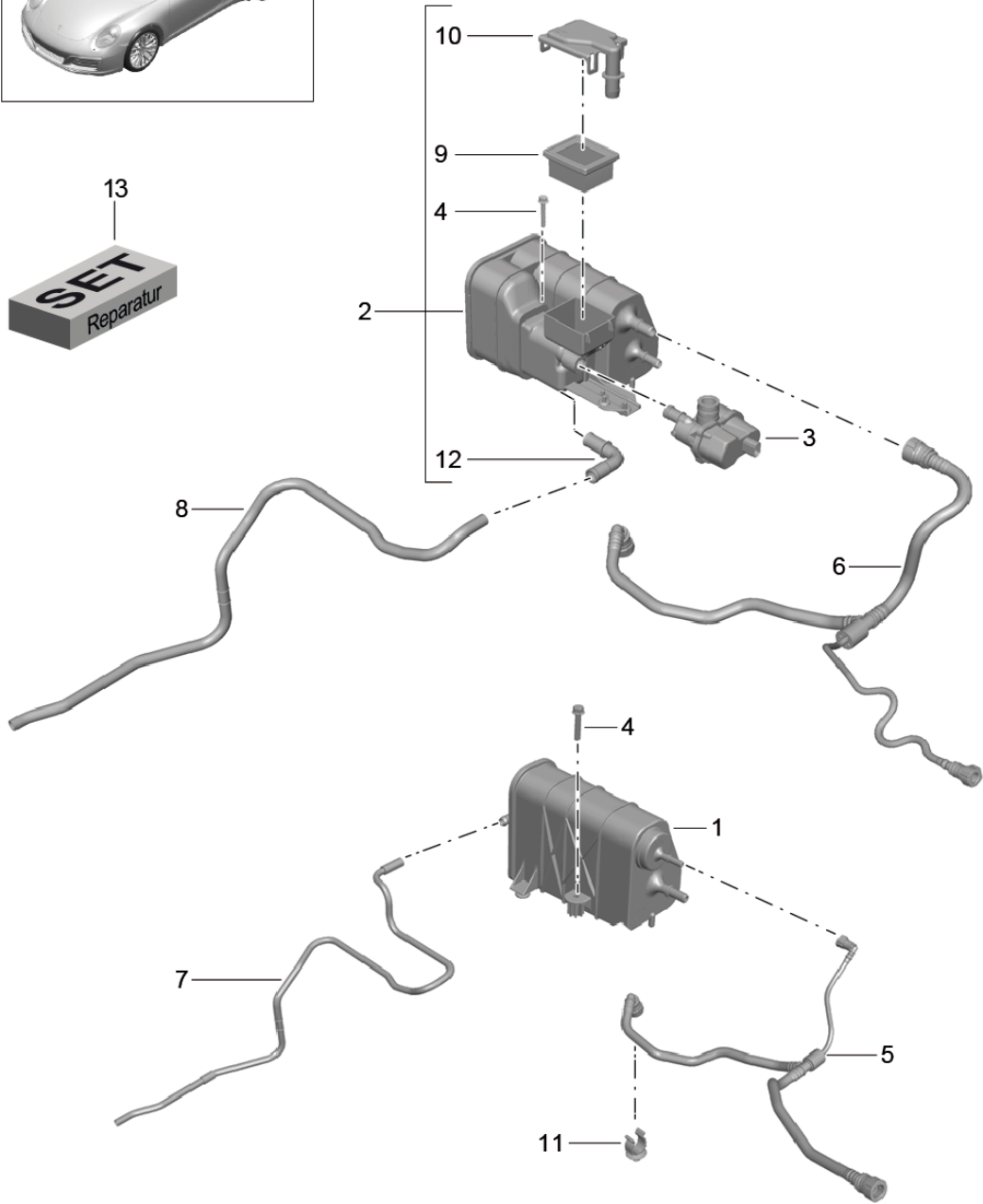
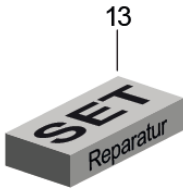
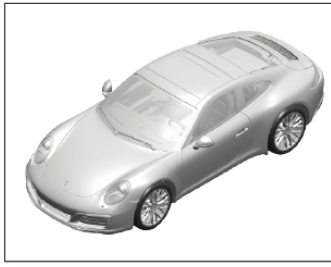
Model: 991-16

Model life 2017>>

Pos	Part Number	Description	Remark	Qty	Model
1	991 201 965 00	Fuel system Fuel line	rear rear	1	
2	991 201 355 03	Pressure line Purge-air line	rear	1	
3	999 507 488 40	Cable holder 5,0 / 10,0		1	
4	999 507 269 40	Cable holder 8,0 / 12,0		2	
5	991 201 835 00	Cable holder		1	
6	999 507 270 40	Cable holder 8,0 / 10,0		2	
7		Fuel line see illustration:	front 201-005		

Model: 991-16

Model life 2017>>



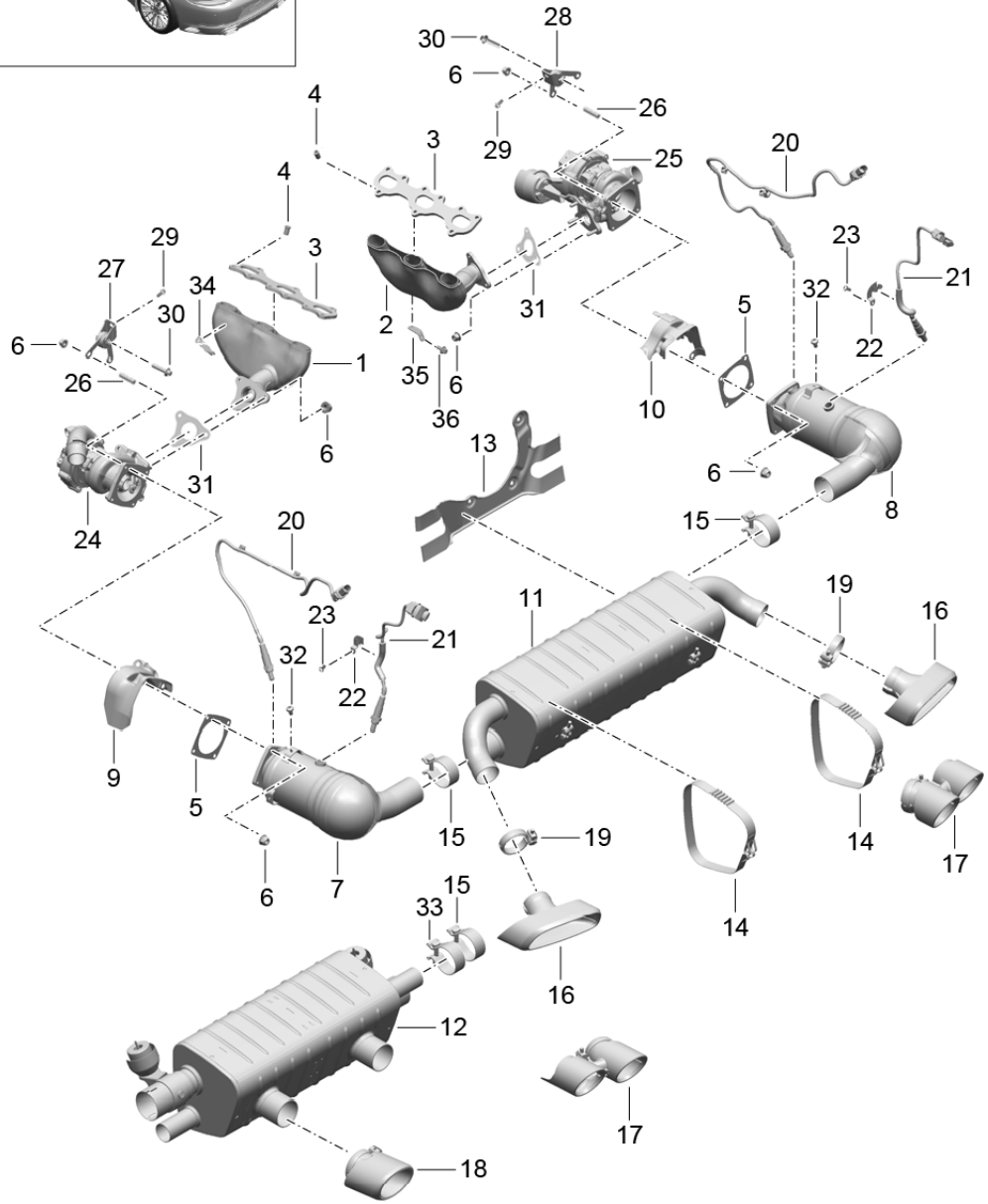
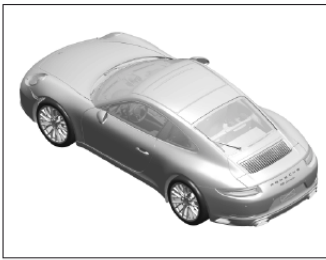
Model: 991-16

Model life 2017&gt;&gt;

Pos	Part Number	Description	Remark	Qty	Model
1	991 201 221 02	Activated charcoal container		1	PR:-664
4	900 378 115 01	Activated charcoal container		1	
		Hexagon bolt			
		M 6 X 35			
5	991 201 251 00	Breather line		1	PR:098,-664
		Fuel tank			
6	991 201 251 03	Breather line		1	PR:664
		Fuel tank			
7	991 201 361 03	Purge-air line		1	PR:098,-664
		Activated charcoal container			
(7)	991 201 361 05	Purge-air line		1	PR:099
		Activated charcoal container			
11	999 507 280 40	Cable holder		1	PR:099
		16,0			

Model: 991-16

Model life 2017>>



Model: 991-16 Model life 2017>>

Pos	Part Number	Description	Remark	Qty	Model
1	9P1 251 215 B	exhaust system Exhaust manifolds	left	1	
2	9P1 251 216 B	Exhaust manifolds	right	1	
3	9P1 251 261	Seal Exhaust manifolds		2	
4	9A7 003 842 00	Hexagon nut M 8		18	
5	9P1 251 263	Seal		2	
6	999 084 642 02	Hexagon nut M 8		8	
7	9P1 254 400	Catalytic converter	left cylinders 1-3	1	PR:-176
7	9P1 254 400 X	Catalytic converter	left cylinders 1-3	1	PR:-176
(7)	9P1 254 400 A	Catalytic converter	left cylinders 1-3	1	PR:176
(7)	9P1 254 400 AX	Catalytic converter	left cylinders 1-3	1	PR:176
8	9P1 254 450	Catalytic converter	right cylinders 4-6	1	PR:-176
8	9P1 254 450 X	Catalytic converter	right cylinders 4-6	1	PR:-176
(8)	9P1 254 450 A	Catalytic converter	right cylinders 4-6	1	PR:176
(8)	9P1 254 450 AX	Catalytic converter	right cylinders 4-6	1	PR:176
9	9A2 123 215 01	Guard plate Exhaust gas turbocharger	left cylinders 1-3	1	
10	9A2 123 216 01	Guard plate Exhaust gas turbocharger	right cylinders 4-6	1	
11	9P1 251 051 A	Silencer		1	DCKA,DCK+ PR:008,-176
(11)	9P1 251 052	Silencer		1	DCHA,DCH+ PR:009,-176
(12)	9P1 251 053 A	Silencer		1	PR:176
13	9P1 251 225 A	Bracket Silencer		1	
14	9P1 251 571	Clip Silencer		2	
15	997 111 230 80	clamp Silencer		2	
16	9P1 251 187	Tailpipe	left oval	1	DCKA,DCK+ PR:008,-XLP, -XLT,-176
(16)	9P1 251 188	Tailpipe	right oval	1	DCKA,DCK+ PR:008,-XLP, -XLT,-176
17	9P1 251 187 A	Tailpipe stainless steel Discontinued part	left Round	1	DCHA,DCH+ PR:009,-XLP, -XLT,-176
17	9P1 251 187 J	Tailpipe stainless steel	left Round	1	DCHA,DCH+ PR:009,-XLP, -XLT,-176
17	9P1 251 187 E	Tailpipe chrome	left Round	1	DCHA,DCH+ PR:009,XLT, -176
17	9P1 251 187 F	Tailpipe Black	left Round	1	DCHA,DCH+ PR:009,XLP, -176
17	9P1 251 187 C	Tailpipe chrome	left Round	1	DCHA,DCH+ PR:008,XLT, -176
17	9P1 251 187 D	Tailpipe	left	1	DCHA,DCH+

Model: 991-16

Model life 2017>>

Pos	Part Number	Description	Remark	Qty	Model
(17)	9P1 251 188 A	Black Tailpipe stainless steel Discontinued part	Round right Round	1	PR:008,XLP, -176 DCHA,DCH+ PR:009,-XLP, -XLT,-176
(17)	9P1 251 188 J	Tailpipe stainless steel	right Round	1	DCHA,DCH+ PR:009,-XLP, -XLT,-176
(17)	9P1 251 188 E	Tailpipe chrome	right Round	1	DCHA,DCH+ PR:009,XLT, -176
(17)	9P1 251 188 F	Tailpipe Black	right Round	1	DCHA,DCH+ PR:009,XLP, -176
(17)	9P1 251 188 C	Tailpipe chrome	right Round	1	DCHA,DCH+ PR:008,XLT, -176
(17)	9P1 251 188 D	Tailpipe Black	right Round	1	DCHA,DCH+ PR:008,XLP, -176
18	9P1 251 187 B	Tailpipe chrome	center left Round	1	PR:176,-178
18	9P1 251 187 G	Tailpipe Black	center left Round	1	GTS PR:176,178
(18)	9P1 251 188 B	Tailpipe chrome	center right Round	1	PR:176,-178
(18)	9P1 251 188 G	Tailpipe Black	center right Round	1	GTS PR:176,178
19	997 111 240 30	Clamp Tailpipe		2	PR:-176
20	9A2 606 188 01	Lambda probe (in front of catalyst)		2	
21	9A2 606 198 00	Lambda probe (behind catalyst)		2	
22	9A2 606 174 00	Holder for lambda probe		2	
23	999 073 189 01	flat round head bolt M 6 X 12		2	
24	9A2 123 027 02	Exhaust gas turbocharger No longer use the part here	cylinders 1-3	1	DCKA,DCK
24	9A2 123 027 05	Exhaust gas turbocharger	cylinders 1-3	1	DCKA,DCK
(24)	9A2 123 031 02	Exhaust gas turbocharger No longer use the part here	cylinders 1-3	1	DCHA,DCH+ PR:-147,-X51
(24)	9A2 123 031 05	Exhaust gas turbocharger	cylinders 1-3	1	DCHA,DCH+ PR:-147,-X51
(24)	9A2 123 031 52	Exhaust gas turbocharger	cylinders 1-3	1	GTS DCHA,DCH+, DCJA PR:147,X51
(24)	9A2 123 031 55	No longer use the part here Exhaust gas turbocharger	cylinders 1-3	1	GTS DCHA,DCJA
(24)	9A2 123 031 55	Exhaust gas turbocharger	cylinders 1-3	1	GTS DCHA,DCJA
25	9A2 123 028 02	Exhaust gas turbocharger No longer use the part here	cylinders 4-6	1	DCKA,DCK
25	9A2 123 028 03	Exhaust gas turbocharger No longer use the part here	cylinders 4-6	1	DCKA,DCK
25	9A2 123 028 05	Exhaust gas turbocharger	cylinders 4-6	1	DCKA,DCK
(25)	9A2 123 032 02	Exhaust gas turbocharger No longer use the part here	cylinders 4-6	1	DCHA,DCH+ PR:-147,-X51



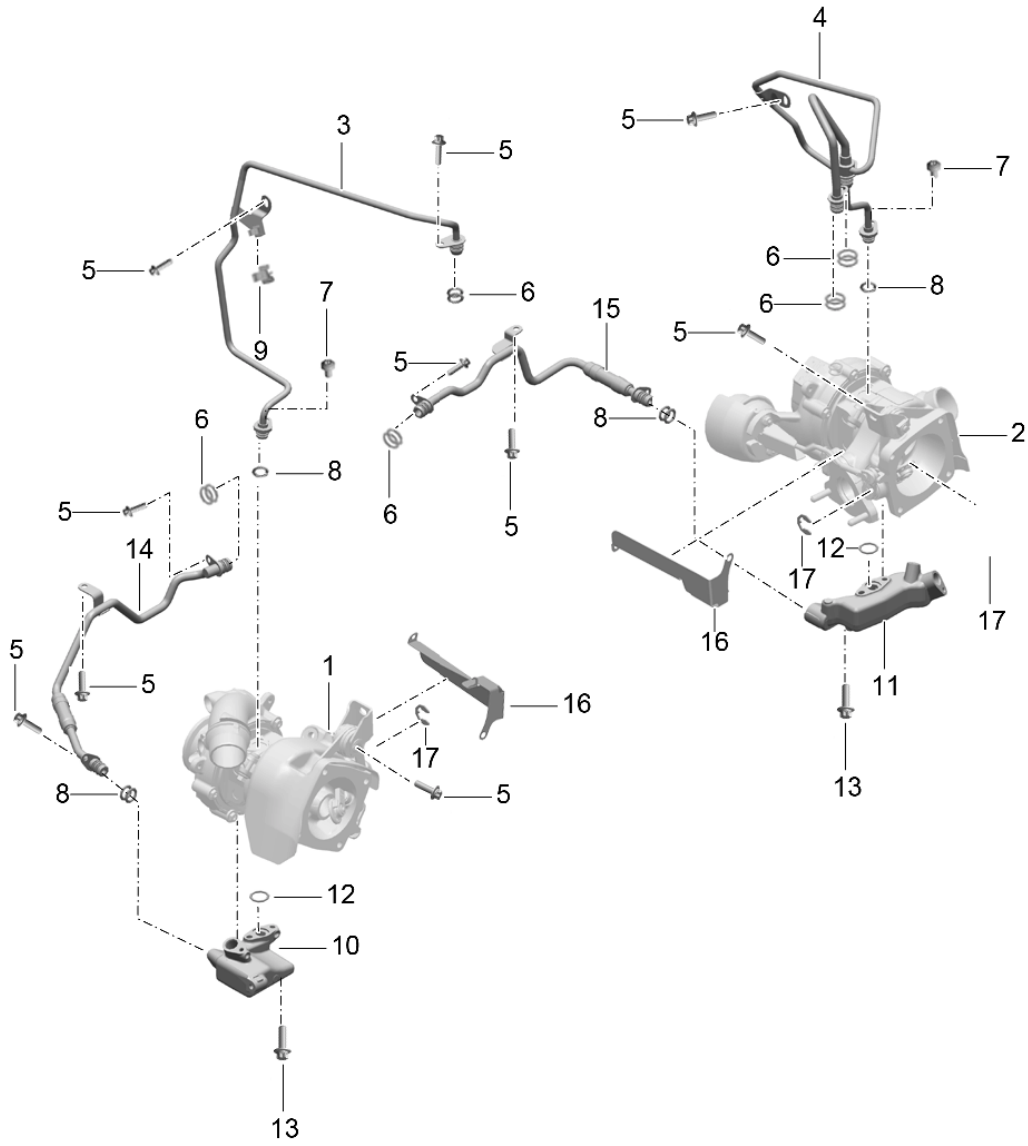
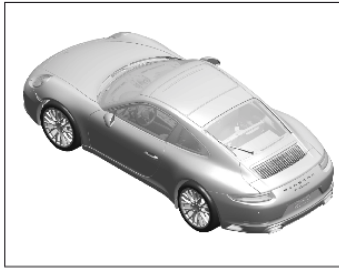
Model: 991-16

Model life 2017>>

Pos	Part Number	Description	Remark	Qty	Model
(25)	9A2 123 032 05	Exhaust gas turbocharger	cylinders 4-6	1	DCHA,DCH+
(25)	9A2 123 032 52	Exhaust gas turbocharger	cylinders 4-6	1	PR:-147,-X51
(25)	9A2 123 032 55	Exhaust gas turbocharger	cylinders 4-6	1	GTS
(25)	9A2 123 032 55	Exhaust gas turbocharger	cylinders 4-6	1	DCHA,DCJA
26	900 081 059 01	Threaded pin M 8 X 22		4	DCJA
27	9A2 123 327 00	Carrier	cylinders 1-3	1	
28	9A2 123 328 00	Carrier	cylinders 4-6	1	
29	900 385 001 02	Torx screw BM 8 X 20		2	
30	900 385 042 01	Torx screw BM 8 X 35		2	
31	9A2 111 215 00	Seal		2	
32	999 073 236 0A	fillister hd. bolt M 6 X 10		8	
33	9P1 253 145	clamp		2	PR:176
34	9P1 251 418	Silencer Bracket	right	1	
35	9P1 251 417	Exhaust manifolds Bracket	left	1	
36	900 385 044 01	Exhaust manifolds Torx screw BM 8 X 16		2	

Model: 991-16

Model life 2017>>



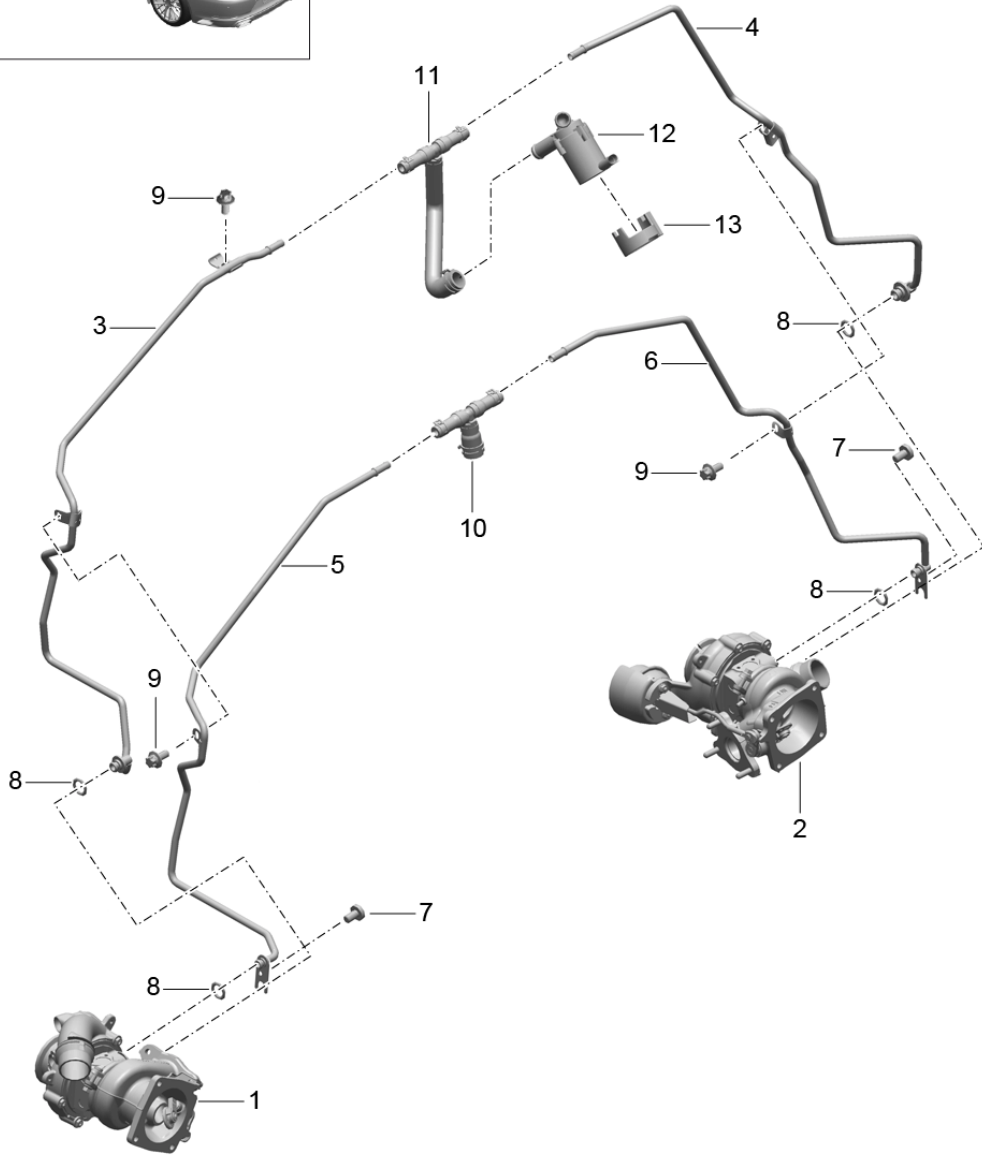
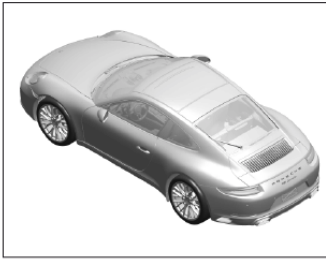
Model: 991-16

Model life 2017&gt;&gt;

Pos	Part Number	Description	Remark	Qty	Model
1		Exhaust gas turbocharger Cooling Oil pipe Exhaust gas turbocharger		1	
2		see illustration: Exhaust gas turbocharger	cylinders 1-3 202-000	1	
3	9A2 107 223 01	Pressure line Exhaust gas turbocharger		1	
4	9A2 107 224 01	Pressure line Exhaust gas turbocharger	cylinders 4-6 202-000	1	
5	900 385 041 01	Torx screw BM 6 X 12	cylinders 1-3	11	
6	999 707 612 42	O-ring 12,00 X 2,50		10	
7	999 073 236 0A	fillister hd. bolt M 6 X 10		2	
8	999 707 692 40	O-ring 10,00 X 3,00		6	
9	999 651 392 07	Cable holder 9,5 - 10,5		1	
10	9A2 107 331 00	collector container Exhaust gas turbocharger		1	
11	9A2 107 332 00	collector container Exhaust gas turbocharger	cylinders 1-3	1	
12	999 707 387 40	O-ring 15,00 X 2,50	cylinders 4-6	2	
13	900 385 019 01	Torx screw BM 6 X 20		4	
14	9A2 107 333 01	suction line Exhaust gas turbocharger		1	
15	9A2 107 334 01	suction line Exhaust gas turbocharger	cylinders 1-3	1	
15	9A2 107 334 02	No longer use the part here suction line Exhaust gas turbocharger	cylinders 4-6	1	
16	9A2 123 311 00	Guard plate Exhaust gas turbocharger	cylinders 4-6	2	
17	N 012 437 6	No longer use the part here Retaining washer		2	

Model: 991-16

Model life 2017>>



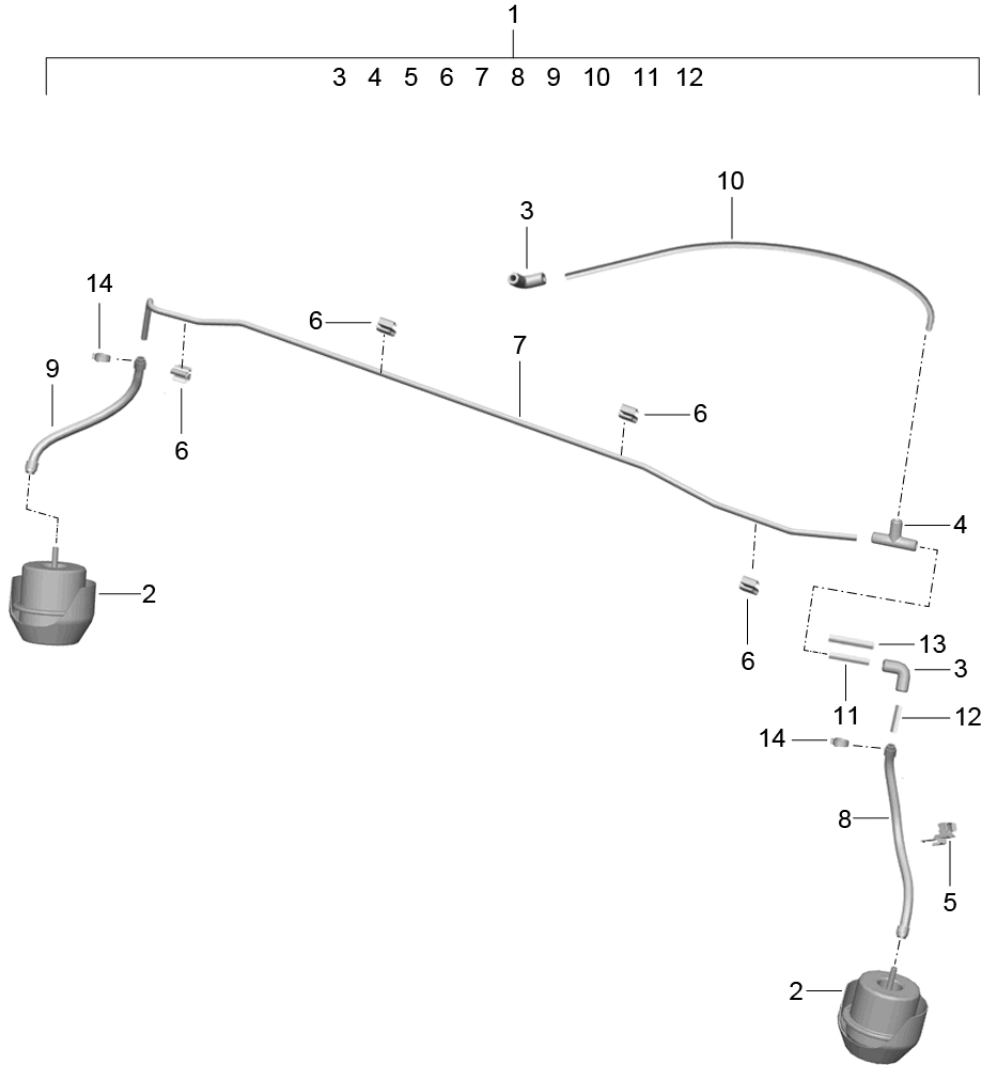
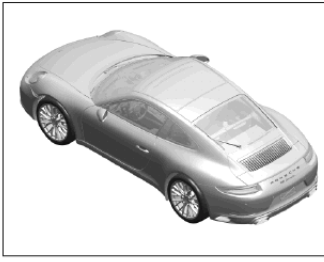
Model: 991-16

Model life 2017>>

Pos	Part Number	Description	Remark	Qty	Model
1		Exhaust gas turbocharger Cooling Water line Exhaust gas turbocharger		1	
2		see illustration: Exhaust gas turbocharger	cylinders 1-3 202-000	1	
3	9A2 106 081 01	Water line Exhaust gas turbocharger	see illustration: cylinders 4-6 202-000	1	
4	9A2 106 082 00	Water line Exhaust gas turbocharger	feed cylinders 1-3	1	
5	9A2 106 083 01	Water line Exhaust gas turbocharger	feed cylinders 4-6	1	
6	9A2 106 084 00	Water line Exhaust gas turbocharger	return cylinders 1-3	1	
7	999 073 236 0A	fillister hd. bolt M 6 X 10	return cylinders 4-6	2	
8	999 707 603 40	O-ring 10,00 X 3,00		4	
9	900 385 041 01	Torx screw BM 6 X 12		3	
10	9A1 106 553 71	t-piece Exhaust gas turbocharger		1	
11	9A2 106 649 76	t-piece Exhaust gas turbocharger	return	1	
12	9A2 620 251 00	Coolant pump Exhaust gas turbocharger	feed	1	
13	9A2 106 201 70	Thrust ring Coolant pump Exhaust gas turbocharger		1	

Model: 991-16

Model life 2017>>

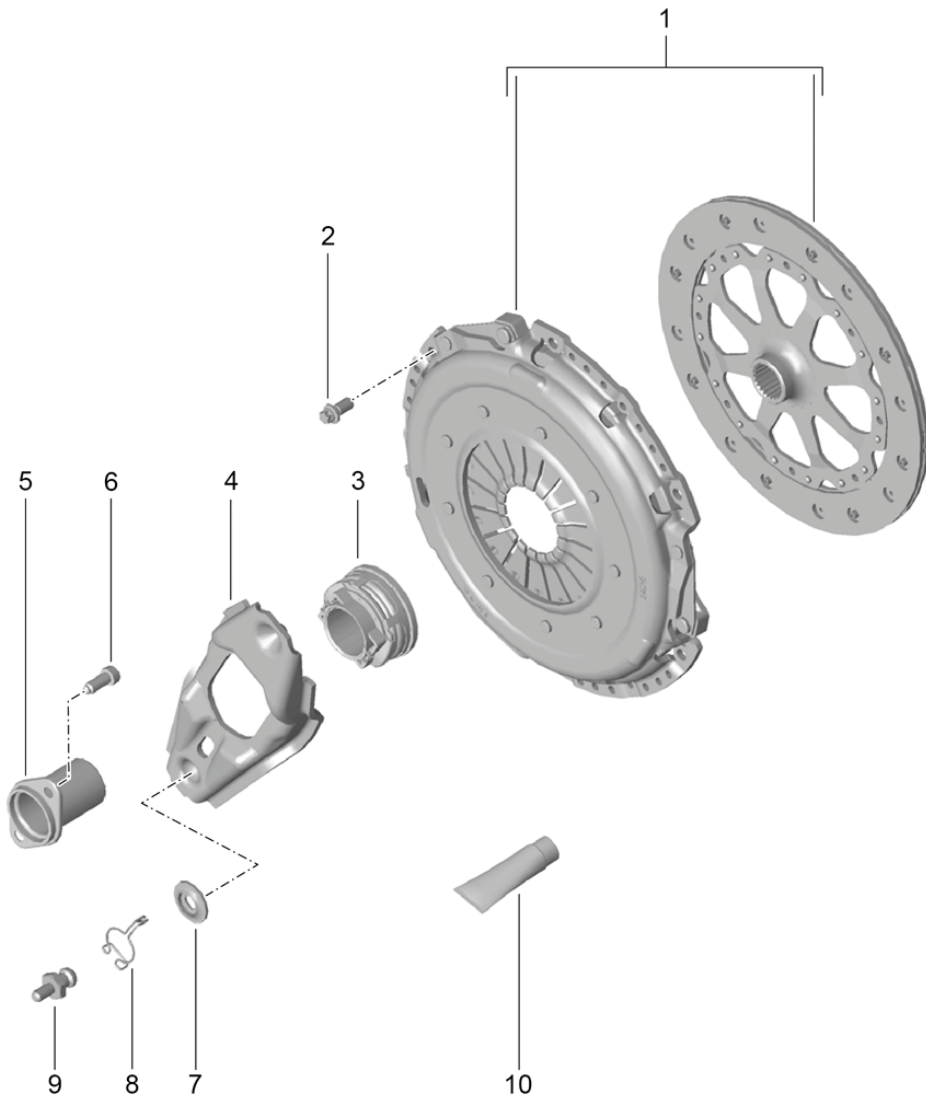
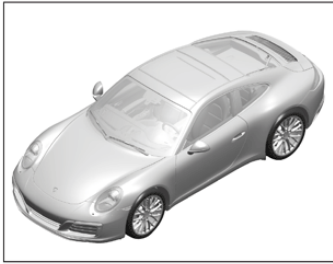


Model: 991-16 Model life 2017>>

Pos	Part Number	Description	Remark	Qty	Model
1	9P1 253 760 A	exhaust system Control Vacuum line (complete) No longer use the part here		1	PR:009,-176
1		Vacuum line Individual parts Use		1	PR:009,-176
(1)	9P1 253 760	Vacuum line (complete) No longer use the part here		1	PR:176
(1)		Vacuum line Individual parts Use		1	PR:176
2	9P1 251 837	Vacuum unit D - MJ 2019>>		1	
3	9A1 110 666 00	Connecting piece		2	
4	06E 133 794	t-piece		1	
5	999 651 363 01	Cable holder 7,5 - 8,5		1	
6	999 651 401 01	Cable fastener		4	
7	9P1 251 838 A	Vacuum line D >> 2019		1	
8	991 111 504 00	Vacuum hose 190MM		1	PR:176
		Clamp with:			
8		Vacuum hose 190MM	99111150600	1	PR:176,7CP
		Clamp with:			
(8)	991 111 501 00	Vacuum hose 203MM		1	PR:009,-176
		Clamp with:			
9	991 111 502 00	Vacuum hose 93MM		1	PR:176
		Clamp with:			
(9)		Vacuum hose 93MM	99111150500	1	PR:176,7CP
		Clamp with:			
(9)	991 111 503 00	Vacuum hose 163MM		1	PR:009,-176
-	900 918 005 40	Pipe Vacuum line 5,0 X 1,0		X	
10		Vacuum line 350MM		1	
11		Vacuum line 70MM		1	
12		Vacuum line 25MM		1	
13	999 181 518 40	Protective hose 50MM		1	
14	999 512 707 00	Ear crimp hose clamp 9,6 - 11,3		2	

Model: 991-16

Model life 2017>>





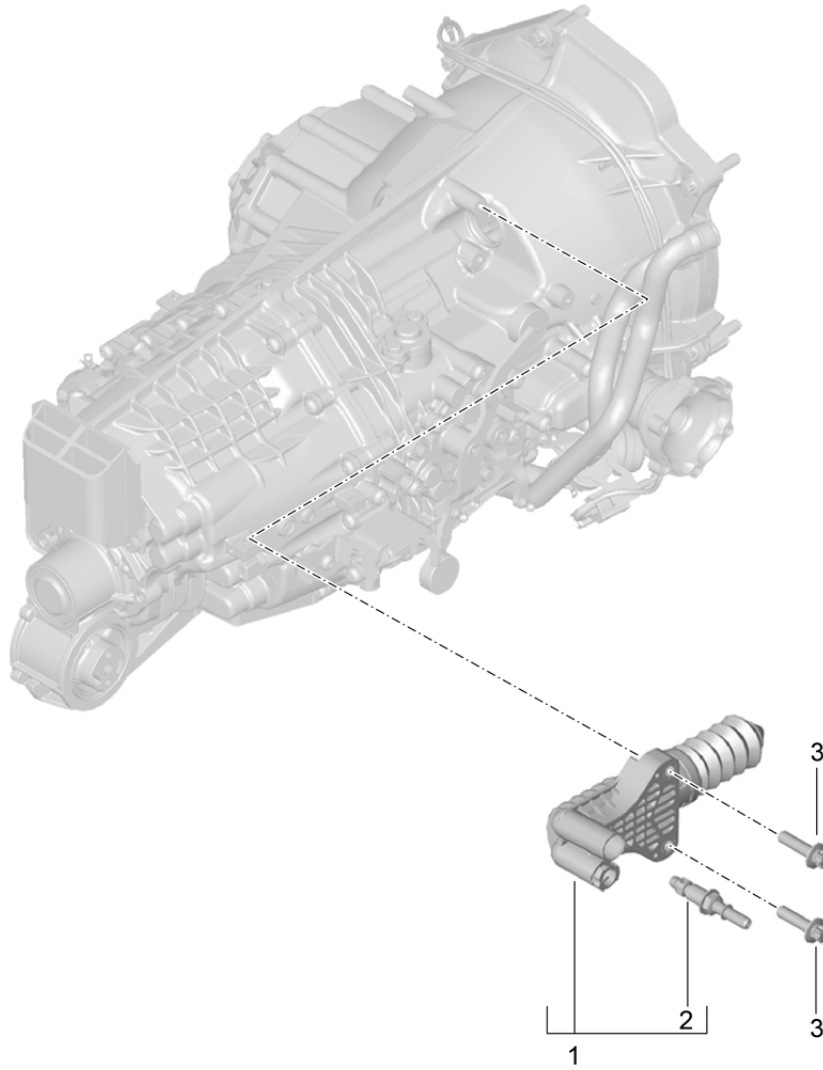
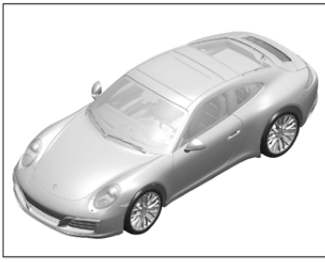
Model: 991-16

Model life 2017&gt;&gt;

Pos	Part Number	Description	Remark	Qty	Model
		Coupling			G9105,G9106, G9135+ PR:487
1	9P1 141 117	Coupling		1	
		Set			
2	9A7 004 076 00	Torx screw		6	
		M 8 X 16			
3	012 141 165 E	release bearing		1	
4	9P1 141 719	clutch operating lever		1	
5	996 116 087 01	guide sleeve		1	
6	N 903 663 01	Socket head bolt		2	
		M 8 X 22			
7	996 116 743 00	seal ring		1	
8	996 116 741 00	Clip		1	
9	997 116 716 02	Ball stud		1	
10	000 043 024 00	Extreme-pressure grease		1	
		LONGTIME 3EP			
		Container			
		80 GR.			

Model: 991-16

Model life 2017>>



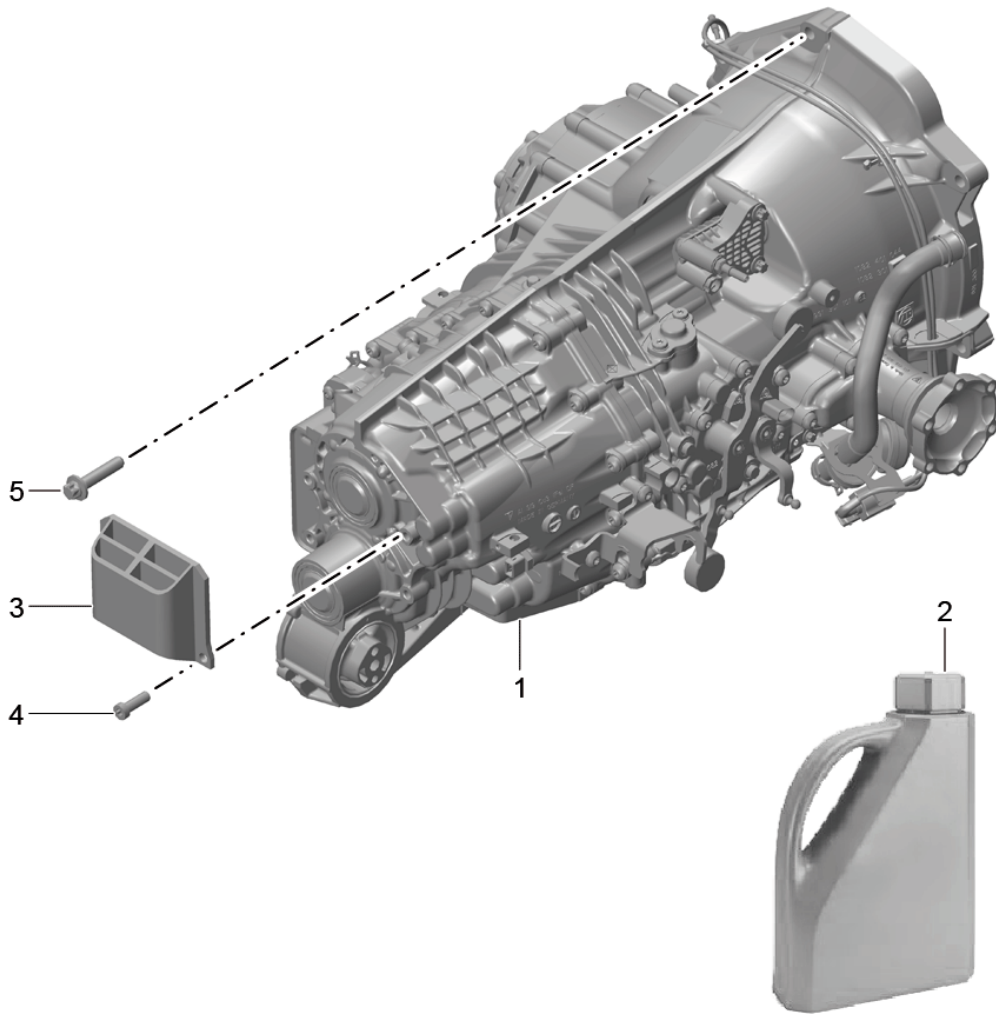
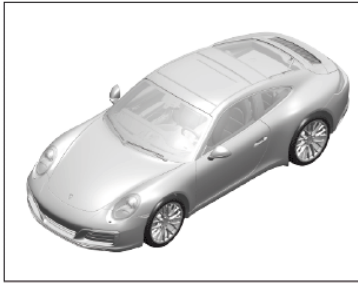
Model: 991-16

Model life 2017>>

Pos	Part Number	Description	Remark	Qty	Model
		Clutch release Clutch slave cylinder			G9105,G9106, G9135+ PR:487
1	9G1 116 238 01	Clutch slave cylinder		1	
2		breather assy. To Use		1	
3	900 385 096 01	Clutch slave cylinder Torx screw		2	

Model: 991-16

Model life 2017>>

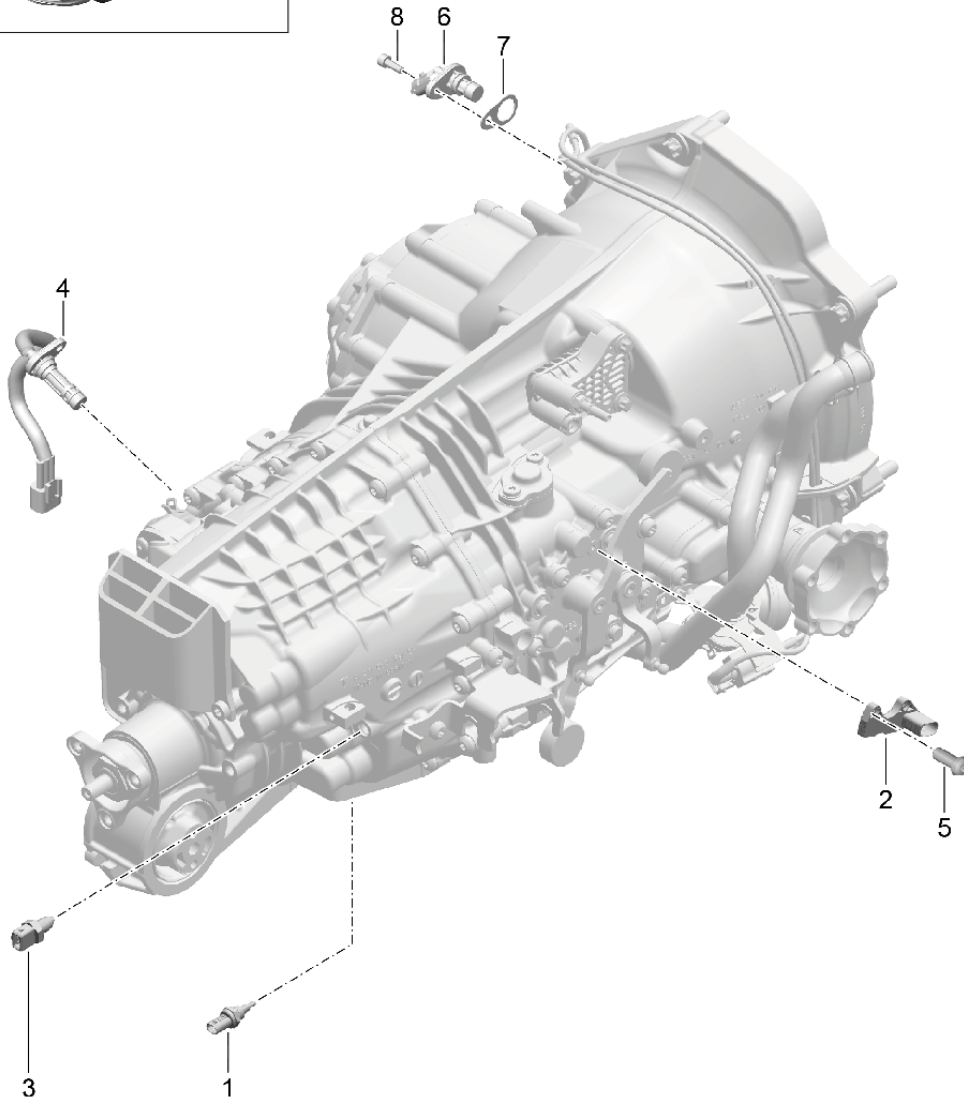
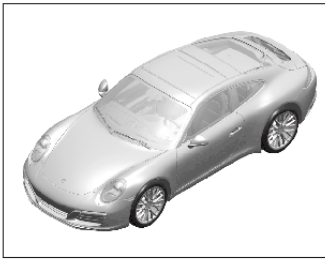


Model: 991-16 Model life 2017>>

Pos	Part Number	Description	Remark	Qty	Model
1	9P1 300 041 A	Manual gearbox Replacement transmission		1	G9105,G9106, G9135
1	9P1 300 041 AX	Replacement transmission D >> - 08.09.2016		1	G9106
1	9P1 300 041 B	Replacement transmission D - 09.09.2016>>		1	G9106
1	9P1 300 041 BX	Replacement transmission D - 09.09.2016>>		1	G9106
1	9P1 300 042	Replacement transmission D >> - 12.09.2016		1	G9105
1	9P1 300 042 X	Replacement transmission D >> - 12.09.2016		1	G9105
1	9P1 300 042 A	Replacement transmission D - 13.09.2016>>		1	G9105
1	9P1 300 042 AX	Replacement transmission D - 13.09.2016>>		1	G9105
1	9P1 300 061	Replacement transmission D >> - 02.11.2016		1	G9135+ PR:219
1	9P1 300 061 X	Replacement transmission D >> - 02.11.2016		1	G9135+ PR:219
1	9P1 300 061 A	Replacement transmission D - 03.11.2016>>		1	G9135+ PR:219
1	9P1 300 061 AX	Replacement transmission D - 03.11.2016>>		1	G9135+ PR:219
1	9P1 300 062	Replacement transmission D >> - 24.07.2016		1	G9135+ PR:220
1	9P1 300 062 X	Replacement transmission D >> - 24.07.2016		1	G9135+ PR:220
1	9P1 300 062 A	Replacement transmission D - 25.07.2016>>		1	G9135+ PR:220
1	9P1 300 062 AX	Replacement transmission D - 25.07.2016>>		1	G9135+ PR:220
2	000 043 204 20	Transmission fluid MOBILUBE PTX 75 W 90 20 LTR. Container		X	
3	991 449 105 02	Shock absorber		1	
4	999 073 209 01	Socket head bolt M 10 X 20		2	
5	999 385 009 01	Hexagon head bolt BM 12 X 1,5 X 55		6	

Model: 991-16

Model life 2017>>



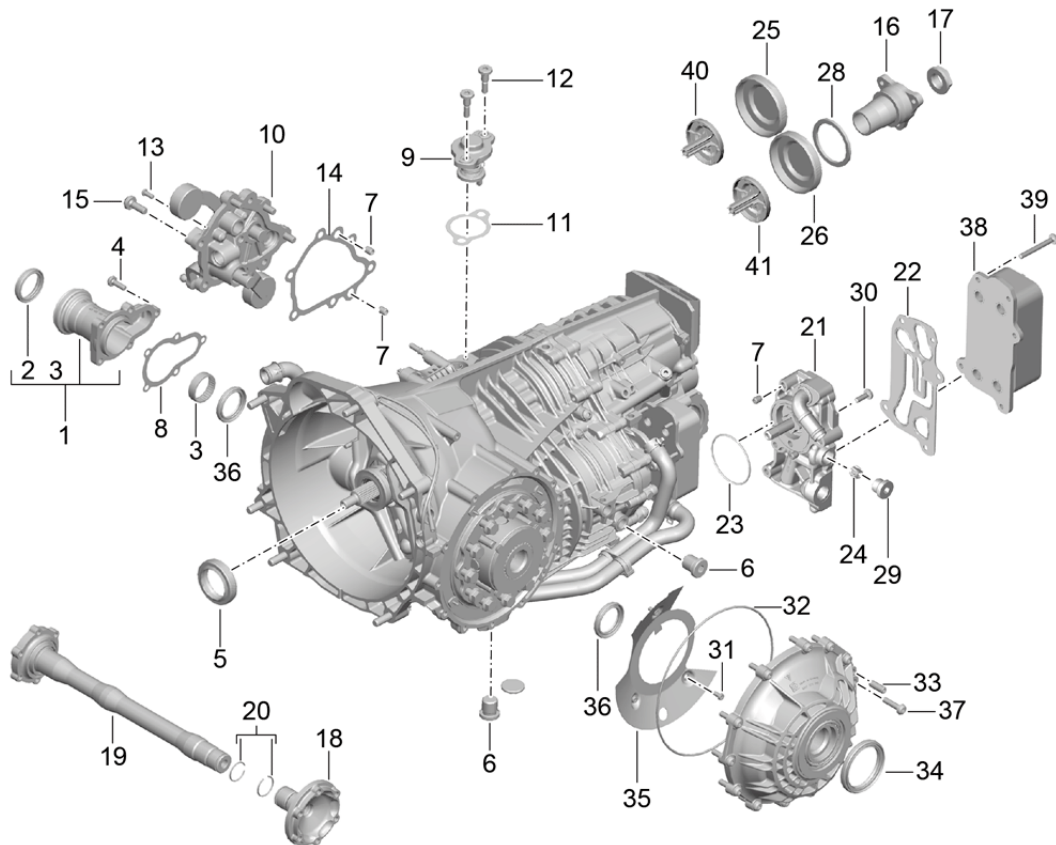
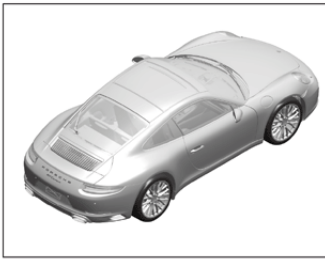
Model: 991-16

Model life 2017>>

Pos	Part Number	Description	Remark	Qty	Model
		Manual gearbox Individual parts			G9105,G9106, G9135
1	991 606 391 00	Temperature sensor		1	
2	991 606 303 00	Sensor Neutral Speed		1	
3	991 613 189 01	Reverse light switch		1	
4	991 606 305 00	Sensor speed sensor		1	
5	991 303 806 00	flat round head bolt M 5 X 12		2	
6	991 606 112 02	speed sensor		1	
7	991 606 912 00	Shim		1	
8	900 387 264 01	Socket head bolt M 6 X 16		1	
8	N 105 464 03	Discontinued part Hexagon socket head bolt M 6 X 16		1	

Model: 991-16

Model life 2017>>





Model: 991-16

Model life 2017>>

Pos	Part Number	Description	Remark	Qty	Model
1	9G1 321 959 00	Manual gearbox Individual parts Housing neck Discontinued part		1	G9105,G9106, G9135
1	9G1 321 059 00	Housing neck		1	
2	9G1 332 804 01	Shaft oil seal 42 X 55 X 7		1	
3	9G1 332 850 00	needle bearing - 42,0 X 47,0 X 13,0		1	
4	9G1 332 801 00	Torx screw M 8 X 25		5	
5	991 302 801 00	Shaft oil seal 28 X 41 X 2,8		1	
6	9G1 321 805 00	Seal bolt with sealing ring M 18 X 1,5		2	
7	9G1 321 821 00	Centre sleeve		2	
8	9G1 321 259 00	Seal Housing neck		1	
9	991 303 103 00	barring pin		1	
10	991 303 105 01	Cover		1	
11	991 303 802 00	Seal		1	
12	991 303 804 00	Locating bolt		2	
13	991 303 806 00	flat round head bolt M 5 X 12		2	
14	991 303 807 00	Seal Cover		1	
15	991 303 808 00	flat round head bolt M 8 X 22		7	
16	9G1 302 301 35	Output flange		1	
17	9G1 302 824 00	Nut M 24 X 1,5		1	G9135
18	9G1 332 208 55	Drive flange		1	
19	991 332 209 00	Drive flange	short long	1	
20	9G1 332 820 00	snap ring		2	
21	9G1 307 033 01	Oil pump housing		1	
22	9G1 307 241 00	Seal heat exchanger		1	
		also use:	991 307 822 00 991 307 823 00	2 3	
23	9G1 307 890 00	O-ring		1	
24	9G1 307 893 00	Valve		1	
25	9G1 321 360 00	End cap		2	G9105,G9106
26	9G1 321 360 00	End cap		1	G9135
27	9G1 321 817 00	flat round head bolt M 8 X 50		16	
28	9G1 321 807 00	Shaft oil seal 45 X 48 X 7		1	G9135
29	970 321 805 00	Seal bolt with sealing ring M 18 X 1,5		1	
30	991 307 822 00	flat round head bolt M 6 X 20		2	
31	9G1 321 809 00	flat round head bolt		3	
32	9G1 321 815 00	O-ring 221 X 3		1	
33	9G1 321 890 00	Cylinder pin D 10 X 28		1	
34	9G1 332 803 01	Shaft oil seal Drive flange 64 X 82 X 8		1	

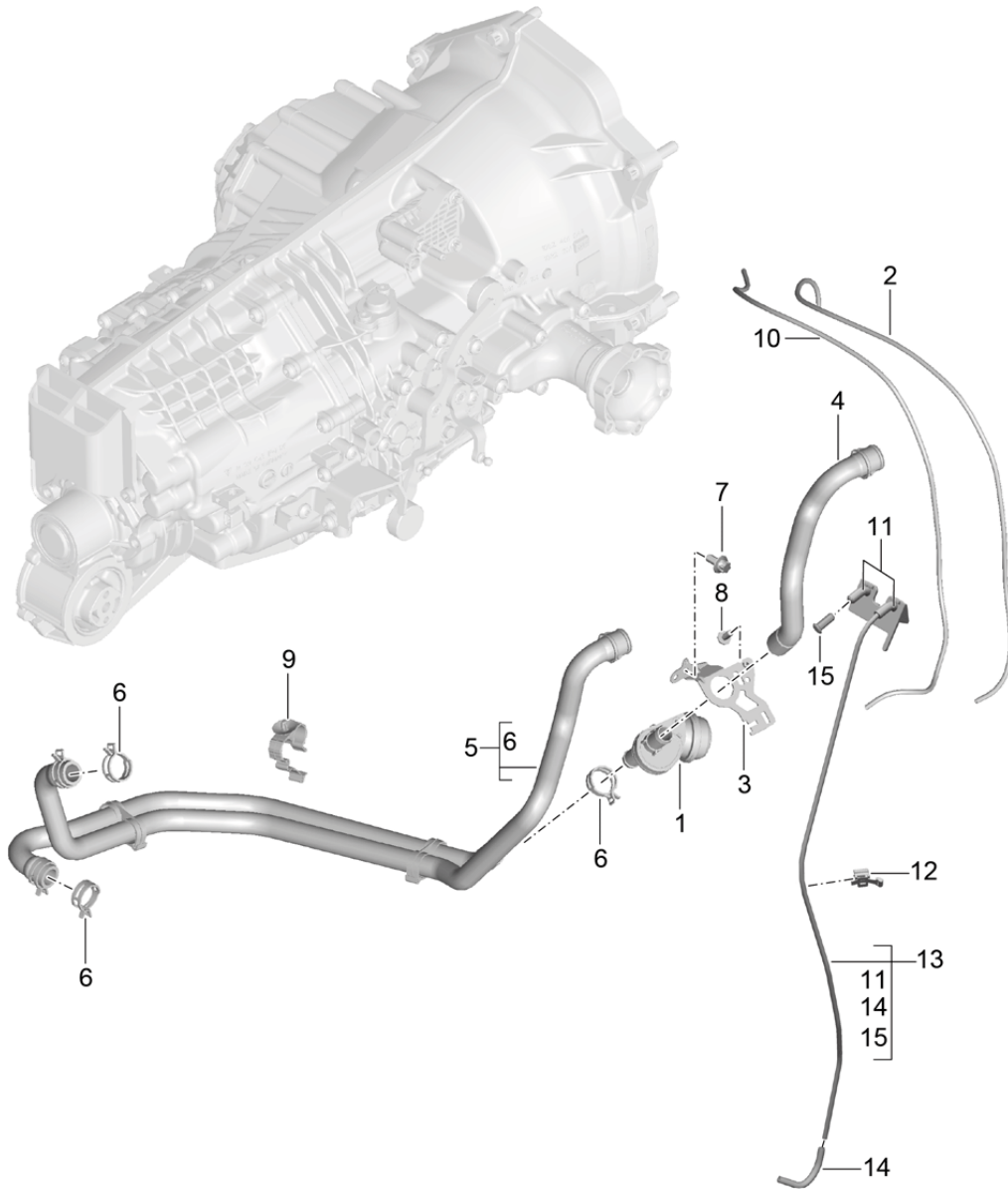
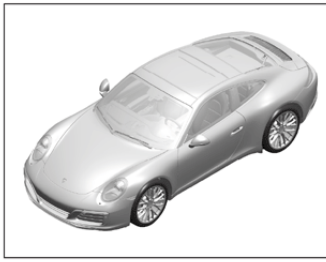
Model: 991-16

Model life 2017>>

Pos	Part Number	Description	Remark	Qty	Model
35	991 307 104 01	Guide Transmission fluid		1	
36	991 332 805 00	Shaft oil seal 40 X 55 X 7		1	
37	991 332 806 00	flat round head bolt M 8 X 33,5		13	
38	9G1 307 019 00	heat exchanger		1	
		also use:	9G1 307 241 00	1	
			991 307 822 00	2	
			991 307 823 00	3	
39	991 307 823 00	flat round head bolt		3	
40	9G1 302 375 00	seal ring End cap		1	
41	9G1 302 377 91	seal ring End cap		1	G9105,G9106

Model: 991-16

Model life 2017>>



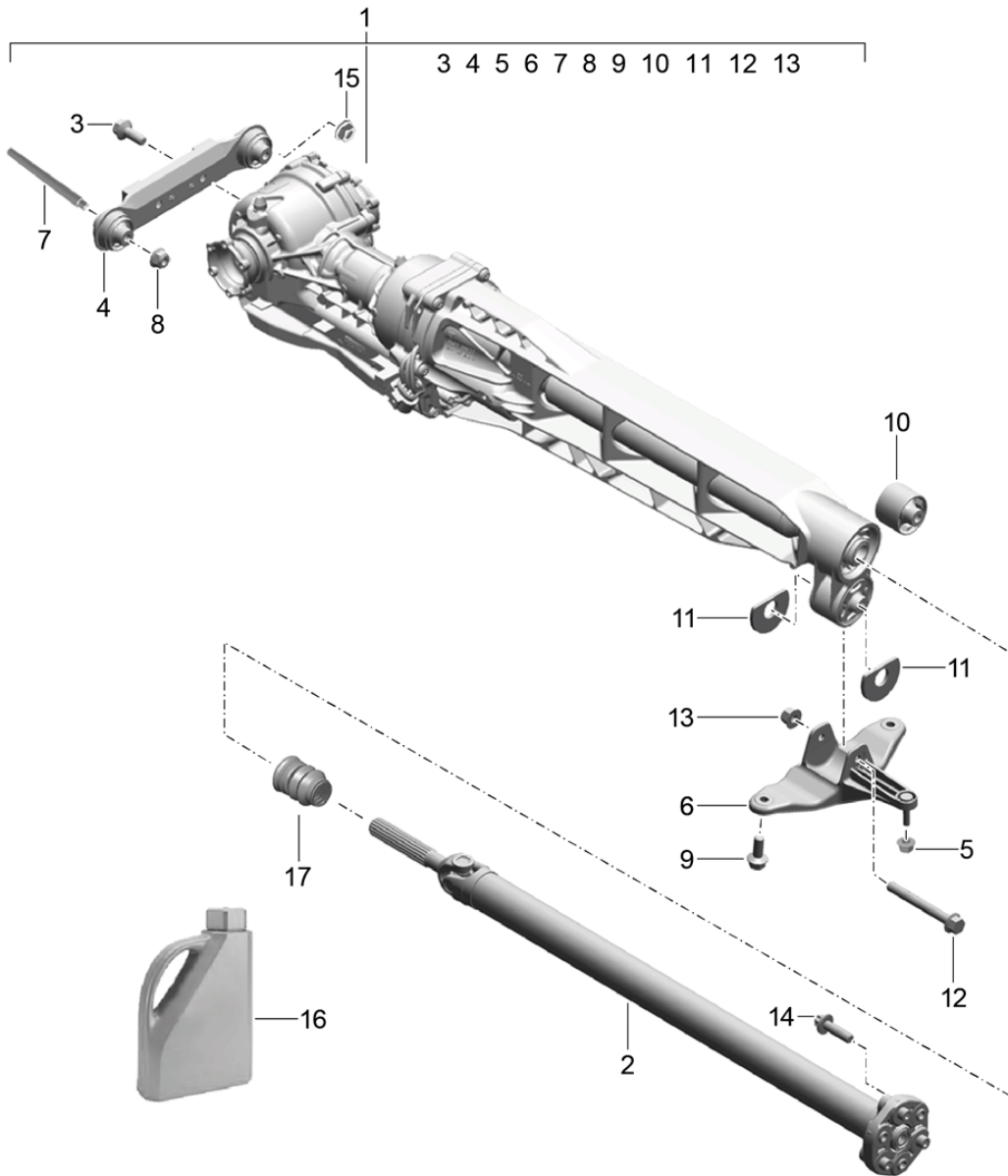
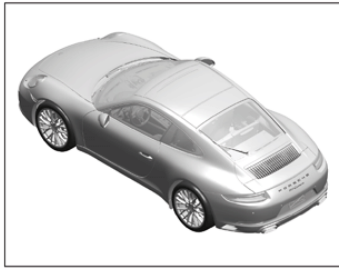
Model: 991-16

Model life 2017&gt;&gt;

Pos	Part Number	Description	Remark	Qty	Model
		Manual gearbox heat exchanger oil pipe Water pipe			G9105,G9106, G9135
1	991 307 573 00	Disc valve		2	
-	900 918 005 40	Pipe 5,0 X 1,0	Running meter	X	
2		Vacuum line L = 540 MM		1	
3	991 307 402 00	Bracket Disc valve		1	
4	991 307 719 00	Hose		1	
5	991 307 076 00	Hose (complete)		1	
6	999 512 589 09	Hose clamp 25 X 12		4	
7	900 385 041 01	Torx screw BM 6 X 12		1	
8	N 910 682 01	Hexagon socket flat head bolt M 4 X 10		1	
9	999 507 855 40	Cable holder 22,0 / 22,0		1	
-	900 918 110 40	Pipe 5,0 X 1,0	Running meter	*	
10		Vacuum line L = 815 MM		1	
11	928 574 717 07	Molded hose No longer use the part here		3	
11	9P1 129 487	Molded hose		3	
12	999 507 952 40	Cable holder		1	
13	9P1 317 351	Bracket		1	
14	999 239 042 40	Hose		1	
15	900 312 042 01	Sealing cap		1	

Model: 991-16

Model life 2017>>



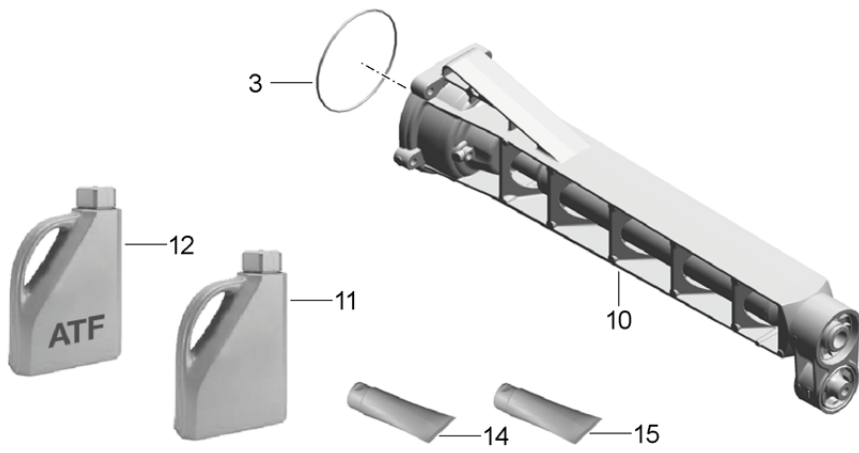
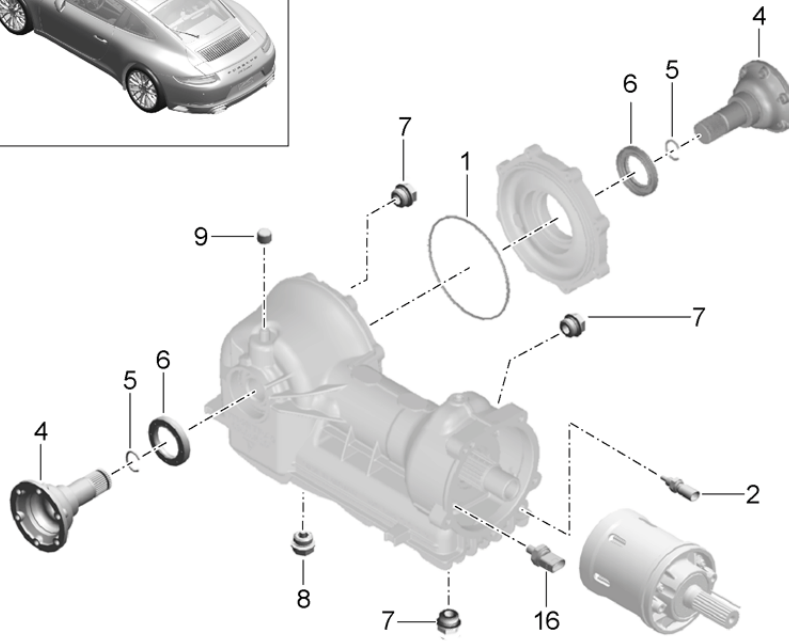
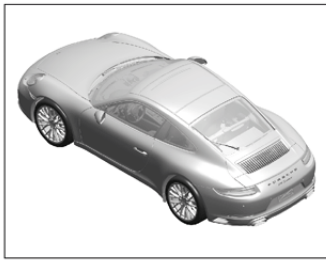
Model: 991-16

Model life 2017>>

Pos	Part Number	Description	Remark	Qty	Model
		Front axle differential Cardan shaft	Z91.00		
1	991 349 010 10	Front axle differential	Z91.00	1	
(1)	991 349 010 X	Front axle differential	Z91.00	1	
(1)	991 349 010 11	Front axle differential	Z91.00	1	
(1)	991 349 010 LX	Front axle differential	Z91.00	1	
2	991 421 020 01	Cardan shaft		1	
3	999 072 064 01	Conical screw M 10 X 26		2	
4	9P1 399 225 A	transmission carrier	front	1	
5	N 102 861 10	Hexagon collar nut self-locking M8		1	
6	991 375 343 03	transmission carrier	rear	1	
7	999 061 011 01	Threaded pin M 10 X 105		2	
8	999 084 648 01	Hexagon nut M 10		2	
9	999 072 063 02	Hexagon bolt AM 10 X 40		2	
10	996 375 054 03	gearbox mounting	rear	1	
11	991 375 257 00	Stop		2	
12	900 378 142 01	Hexagon bolt M 10 X 90		1	
13	900 380 008 01	Hexagon nut M 10		1	
14	900 385 097 01	Torx screw BM 10 X 35		3	
15	N 015 082 10	Hexagon collar nut M 6		1	
16	000 043 210 12	Transmission fluid Front axle differential MOBILUBE PTX 75 W 90 Container 20 LTR.		X	
17	996 421 145 01	Gaiter Cardan shaft		1	

Model: 991-16

Model life 2017>>



Model: 991-16

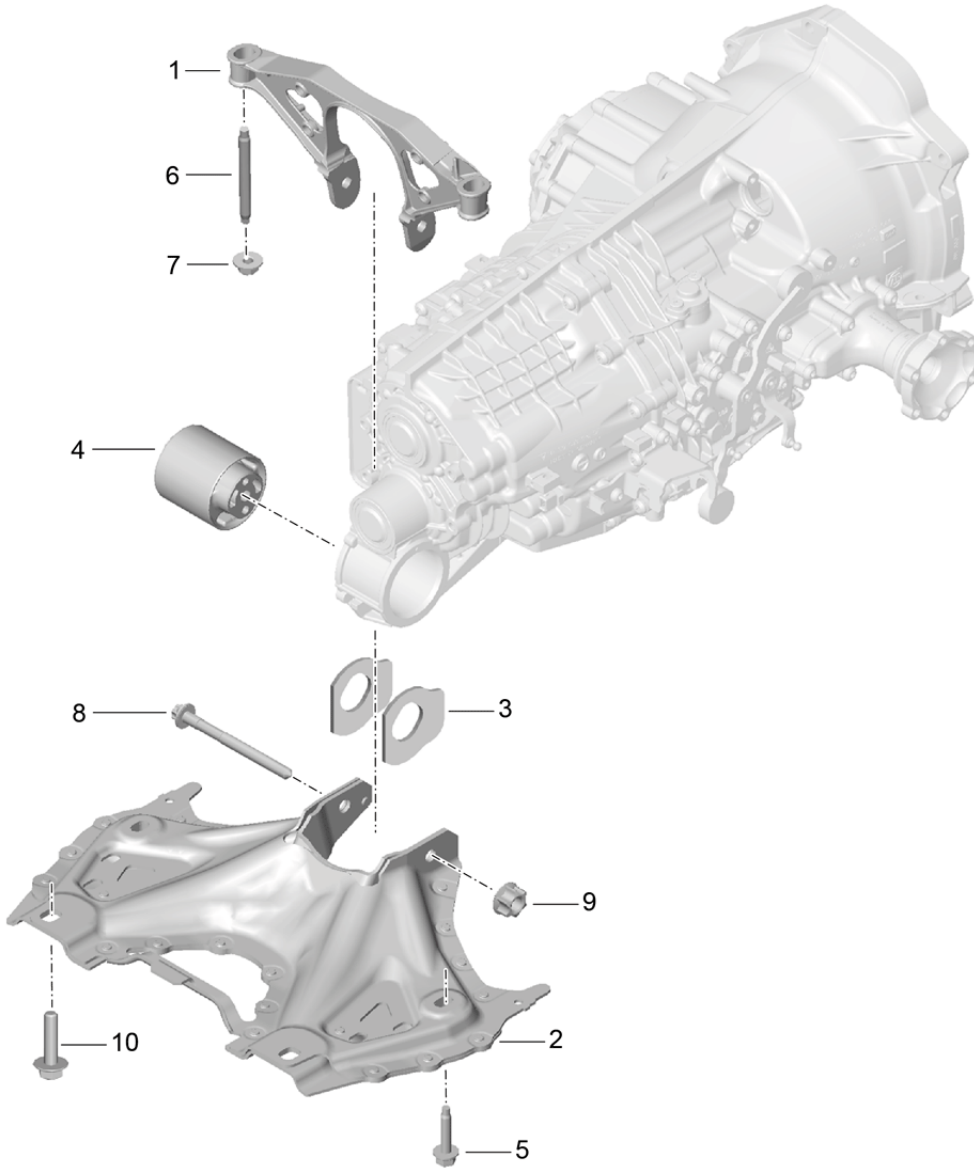
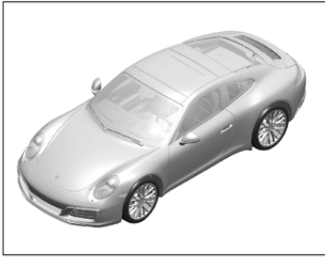
Model life 2017>>

Pos	Part Number	Description	Remark	Qty	Model
1	999 701 743 40	Front axle differential Individual parts O-ring Cover 144,5 X 3,0		1	
2	997 606 303 00	Temperature sensor Front axle differential No longer use the part here		1	
2	9P1 906 529	Temperature sensor Front axle differential		1	
3	999 707 455 40	O-ring 123,00 X 3,0		1	
4	9P1 409 355	Flanged shaft		2	
5	9P1 409 419	snap ring 3,2		2	
6	9P1 409 400	Shaft oil seal		2	
7	WHT 007 394	sealing plug Oil filler screw AM 18 X 1,5		3	
8	WHT 007 394 A	sealing plug drain plug AM 18 X 1,5		2	
9	9P1 409 845	Cap		1	
10	9P1 406 521	Support No longer use the part here		1	
10	9P1 409 521	Support		1	
11	000 043 302 97	Transmission fluid for Coupling 0,850 LITER Container No longer use the part here		1	
11	000 043 209 33	Transmission fluid for Coupling 0,850 LITER Container		1	
12	000 043 210 12	Transmission fluid Front axle differential MOBILUBE PTX75W90		X	
14	000 043 209 23	Grease LIQUI MOLY PU 53 / WDR 50 GR.		X	
16	9P1 906 278 A	Pressure sensor		1	



Model: 991-16

Model life 2017>>



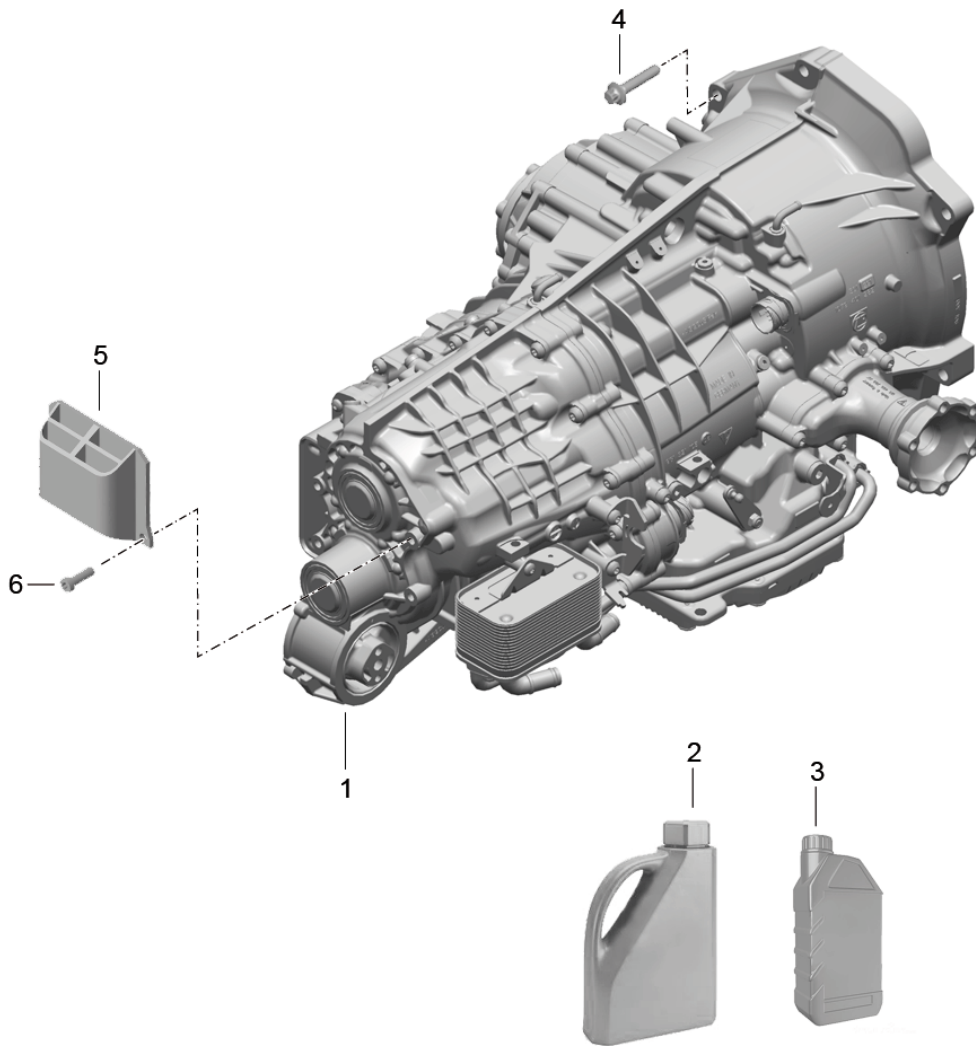
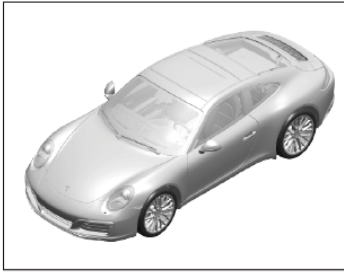
Model: 991-16

Model life 2017>>

Pos	Part Number	Description	Remark	Qty	Model
		Transmission suspension			
		Threaded joint			
		Engine			
1	991 375 039 03	transmission carrier		1	
2	991 375 114 03	Side member		1	
3	991 375 255 00	Stop		2	PR:487
		gearbox mounting			
(3)	991 375 255 00	Stop		2	Cabrio
		gearbox mounting			PR:250
(3)	991 375 256 00	Stop		2	Coupe
		gearbox mounting			PR:250
4	991 375 055 00	gearbox mounting		1	PR:250
5	999 072 841 01	Bolt with washer		2	
		M 10 X 50			
6	999 061 009 02	Threaded pin		2	
		M 10 X 64			
7	999 076 053 01	Hexagon nut		2	
		M 10			
8	900 385 164 01	Outer hexagon round screw		1	
		BM 12 X 1,5 X 140			
9	999 086 009 02	Nut		1	
		M 12 X 1,5			
10	999 072 063 02	Hexagon bolt		2	
		AM 10 X 40			

Model: 991-16

Model life 2017>>



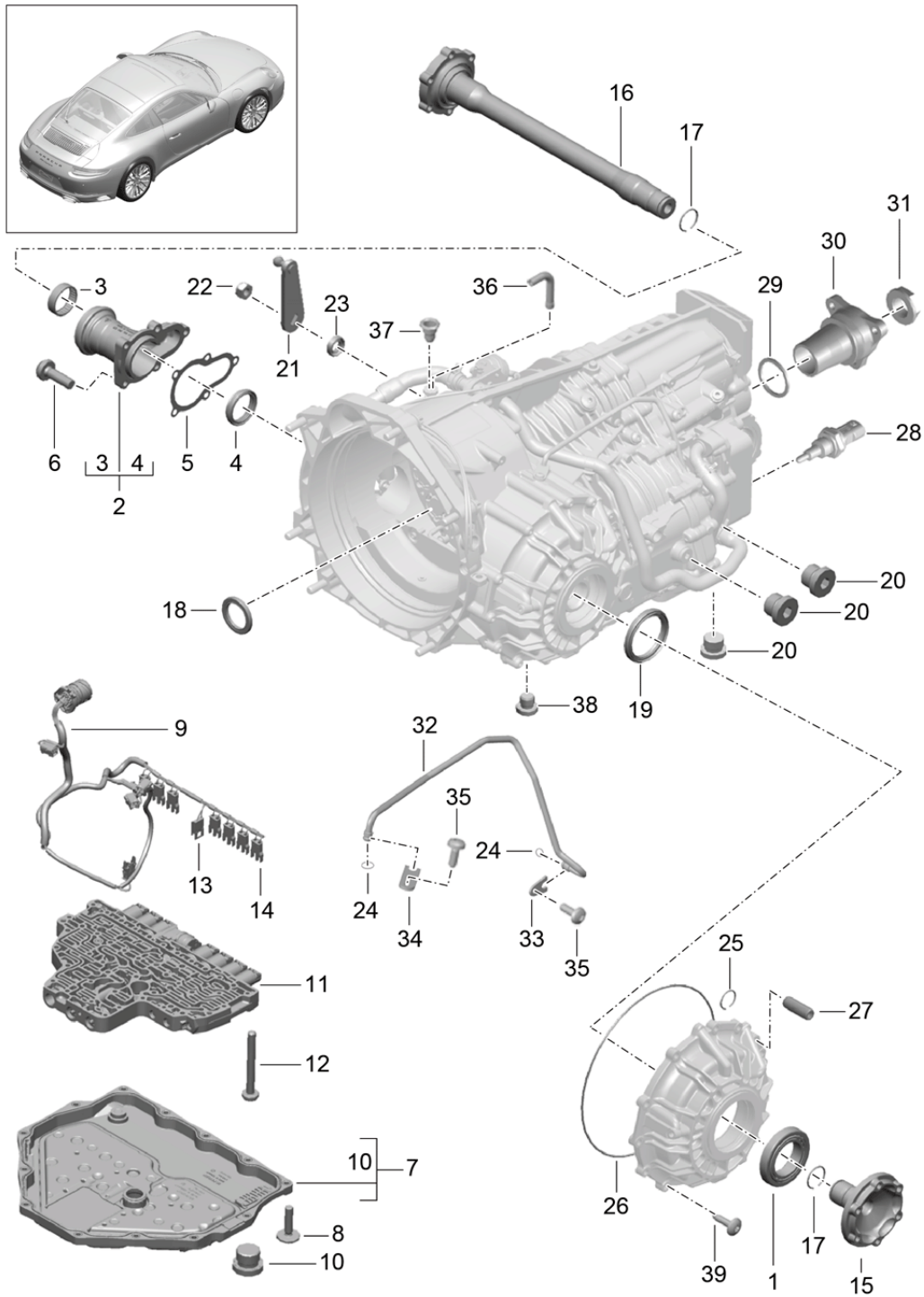
Model: 991-16

Model life 2017&gt;&gt;

Pos	Part Number	Description	Remark	Qty	Model
		- PDK - Gearbox			CG110,CG115, CG140
1	9G1 300 011 15	Replacement transmission		1	CG115
		D >> - 04.07.2016			
1	9G1 300 011 HX	Replacement transmission		1	CG115
		D >> - 04.07.2016			
1	9G1 300 011 16	Replacement transmission		1	CG115
		D - 05.07.2016>>			
1	9G1 300 011 KX	Replacement transmission		1	CG115
		D - 05.07.2016>>			
(1)	9G1 300 011 40	Replacement transmission		1	CG140+
		D >> - 03.07.2016			PR:219
(1)	9G1 300 011 JX	Replacement transmission		1	CG140+
		D >> - 03.07.2016			PR:219
(1)	9G1 300 011 41	Replacement transmission		1	CG140+
		D - 04.07.2016>>			PR:219
(1)	9G1 300 011 LX	Replacement transmission		1	CG140+
		D - 04.07.2016>>			PR:219
(1)	9G1 300 031 10	Replacement transmission		1	CG110
		D >> - 22.06.2016			
(1)	9G1 300 031 GX	Replacement transmission		1	CG110
		D >> - 22.06.2016			
(1)	9G1 300 031 11	Replacement transmission		1	CG110
		D - 23.06.2016>>			
(1)	9G1 300 031 MX	Replacement transmission		1	CG110
		D - 23.06.2016>>			
(1)	9G1 300 031 40	Replacement transmission		1	CG140+
		with: limited slip differential			PR:221
		D >> - 26.06.2016			
(1)	9G1 300 031 JX	Replacement transmission		1	CG140+
		with: limited slip differential			PR:221
		D >> - 26.06.2016			
(1)	9G1 300 031 41	Replacement transmission		1	CG140+
		with: limited slip differential			PR:221
		D - 27.06.2016>>			
(1)	9G1 300 031 NX	Replacement transmission		1	CG140+
		with: limited slip differential			PR:221
		D - 27.06.2016>>			
2	000 043 305 14	Transmission fluid		X	
		PENTOSIN FFL 3			
		20 LTR.			
		Container			
(2)	000 043 305 13	Transmission fluid		X	
		PENTOSIN FFL 3			
		1 LTR.			
		Container			
(3)	000 043 305 55	Transmission fluid		X	
		75 W 90 MOBILUBE PTX			
		Differential			
		Container			
		20 LTR.			
4	999 385 009 01	Hexagon head bolt		6	
		M 12 X 1,5 X 55			
		Threaded joint			
		Engine and transmission			
5	991 449 105 02	Shock absorber		1	
6	999 073 209 01	Socket head bolt		2	
		M 10 X 20			

Model: 991-16

Model life 2017>>



Model: 991-16 Model life 2017>>

Pos	Part Number	Description	Remark	Qty	Model
		- PDK - Gearbox Individual parts			CG110,CG115, CG140
1	9G1 332 803 00	Shaft oil seal 64X82X8 No longer use the part here		1	
1	9G1 332 803 01	Shaft oil seal 64X82X8		1	
2	9G1 321 059 00	Housing neck (complete)		1	
3	9G1 332 850 00	needle bearing - 42,0 X 47,0 X 13,0		1	
4	9G1 332 804 00	Shaft oil seal 42 X 55 X 7		1	
5	9G1 321 259 00	Seal flange		1	
6	9G1 332 801 00	Torx screw M8 X 25		18	
7	9G1 321 025 00	oil sump (complete)		1	
8	9G1 321 801 00	Torx screw M6 X 25		13	
9		Wire set Control unit Not available			
10	9G1 321 825 01	sealing plug Included seal ring		1	
11	9G1 317 015 05	Control unit Hydraulic - PDK -		1	PR:219
(11)	9G1 317 015 35	Control unit Hydraulic - PDK -	also use: 918 317 801 00	1	PR:221
12	9G1 317 801 00	Screw M6X55 No longer use the part here	also use: 918 317 801 00	20	
12	918 317 801 00	Torx screw aluminium M6X55		20	
13	9G1 317 697 00	Connector housing pressure regulator		2	
14	9G1 317 698 00	Connector housing Solenoid valve		7	
15	9G1 332 028 55	Drive flange		1	
16	9G1 332 029 55	Drive flange	short long	1	
17	9G1 332 820 00	snap ring D36 X 2,6		2	
18	9G1 116 807 00	Shaft oil seal for Coupling 40 X 57 X 6		1	
19	9G1 332 806 00	Shaft oil seal 40X52 / 55X40		1	
20	970 321 805 00	Seal bolt with sealing ring M 18 X 1,5		3	
21	9G1 324 135 05	gearshift lever		1	
22	9G1 324 815 00	Nut		1	

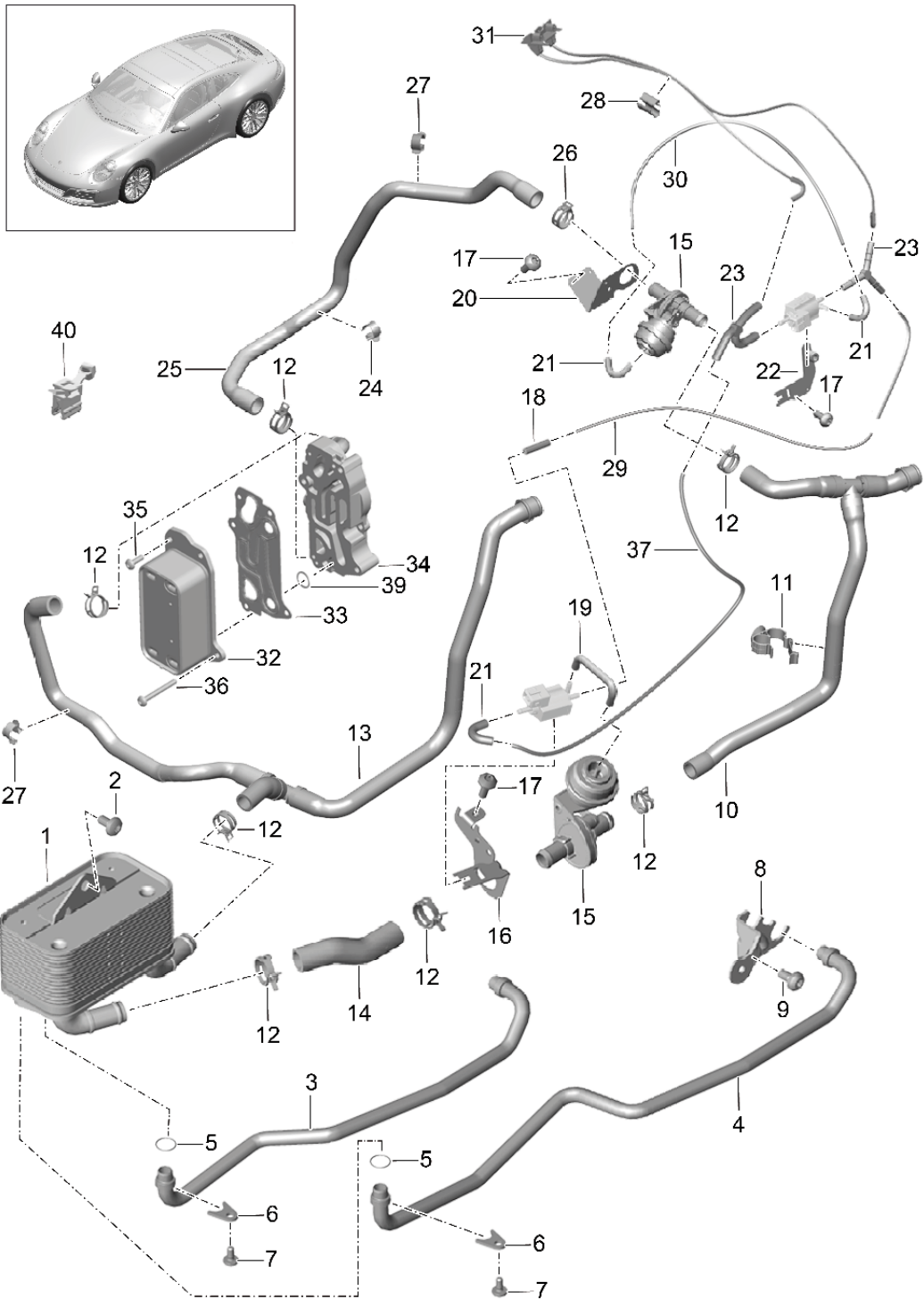
Model: 991-16

Model life 2017>>

Pos	Part Number	Description	Remark	Qty	Model
23	970 324 805 00	M 8 X 1 Shaft oil seal		1	
24	9G1 307 892 00	10 X 18 X 5 O-ring oil pipe		1	
25	9G1 321 818 00	O-ring		2	PR:221
26	9G1 321 815 00	O-ring 221 X 3		1	
27	9G1 321 890 00	Cylinder pin D 10 X 28		1	
28	991 606 391 00	Temperature sensor		1	
29	9G1 321 807 00	Shaft oil seal		1	C4
30	9G1 302 301 35	45 X 58 X 7 Output flange		1	CG140 C4
31	9G1 302 824 00	Nut M 24 X 1,5		1	CG140 C4
32	9G1 307 202 00	Pipe assembly		1	
33	9G1 307 253 00	Retaining plate		1	
34	9G1 307 259 00	Retaining plate		1	
35	9G1 307 822 00	flat round head bolt		3	
36	9G1 321 221 00	ventilation union		1	
37	9G1 321 219 00	Sleeve Bleeding		1	
38	970 321 871 00	sealing plug M 10 X 1		1	
39	9G1 332 801 00	Torx screw M8 X 25		13	

Model: 991-16

Model life 2017>>





Model: 991-16

Model life 2017>>

Pos	Part Number	Description	Remark	Qty	Model
		- PDK - Gearbox heat exchanger oil pipe Water pipe			CG110,CG115, CG140
1	9G1 307 017 00	heat exchanger		1	
2	9G1 307 813 00	Torx screw M 6 X 12		3	
3	9G1 307 087 05	Oil pipe heat exchanger		1	
4	9G1 307 085 05	Return line Oil return line heat exchanger Supply		1	
5	9G1 307 891 00	seal ring Oil pipe heat exchanger		4	
6	9G1 307 245 00	Retaining plate Oil pipe heat exchanger		2	
7	9G1 307 813 00	Torx screw M 6 X 12		2	
8	9G1 307 255 00	Retaining plate Oil pipe Gearbox		1	
9	9G1 307 802 00	Torx screw M 8 X 15		1	
10	9G1 307 731 01	Hose Coolant Supply		1	
11	999 507 855 40	Cable holder 12,00 / 12,00		1	
12	999 512 589 09	Hose clamp 25 X 12		6	
13	9G1 307 735 02	Hose Coolant Return line		1	
14	9G1 307 713 05	Coolant hose Coolant		1	
15	991 307 573 00	Disc valve		2	
16	9G1 307 401 12	Bracket Disc valve		1	
17	N 910 682 01	Hexagon socket flat head bolt M 4 X 10		7	
18	999 239 040 40	Connecting piece		2	
19	9G1 307 673 00	Molded hose		1	
20	9G1 307 411 01	Bracket Disc valve		1	
21	928 574 717 07	Molded hose No longer use the part here		4	
21	9P1 129 487	Molded hose		4	
22	9G1 307 407 02	Bracket Change-over valve Breather line		1	
22	9G1 307 407 03	Bracket Change-over valve Breather line		1	
23	928 573 727 05	Distributor		2	
24	999 651 418 01	Bracket Hose		1	
25	9G1 307 733 01	Hose Coolant		1	

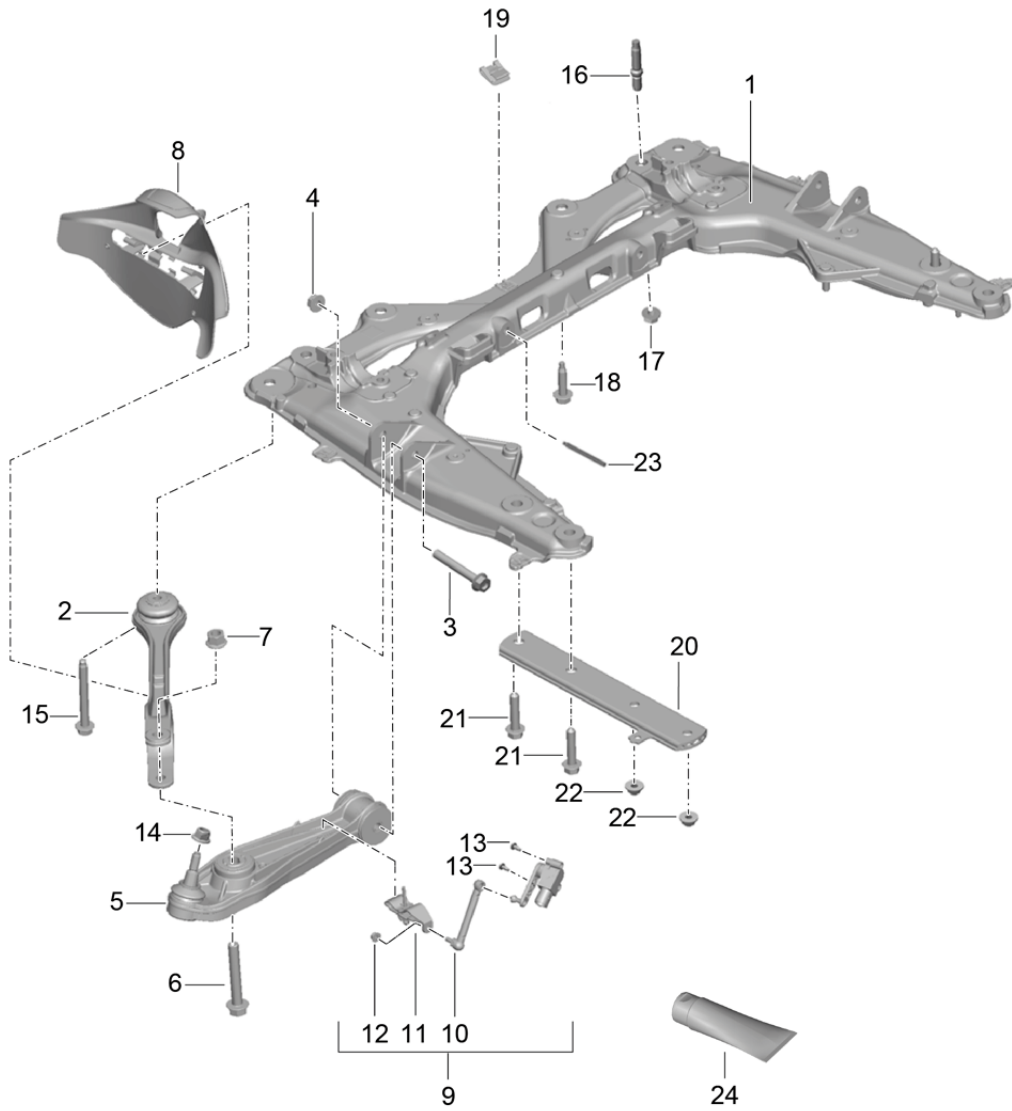
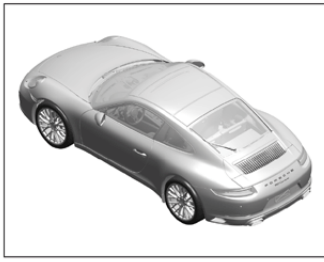
Model: 991-16

Model life 2017>>

Pos	Part Number	Description	Remark	Qty	Model
26	999 512 656 09	Supply Hose clamp B 25 X 12		1	
27	999 651 358 01	Bracket 15 - 21		2	
28	811 971 848 B	Retaining clip 4,8 - 5,3		1	
31	9P1 317 357	Bracket		1	
32	9G1 307 019 00	heat exchanger		1	
		also use:	9G1 307 241 00	1	
			991 307 822 00	2	
			991 307 823 00	3	
33	9G1 307 241 00	Seal heat exchanger		1	
		also use:	991 307 822 00	2	
			991 307 823 00	3	
34	9G1 307 033 01	Oil pump housing		1	PR:219
(34)	9G1 307 033 31	Oil pump housing		1	PR:221
35	991 307 822 00	flat round head bolt		2	
36	991 307 823 00	flat round head bolt		3	
39	9G1 307 890 00	O-ring		1	
40	999 507 952 40	Cable holder		1	

Model: 991-16

Model life 2017>>

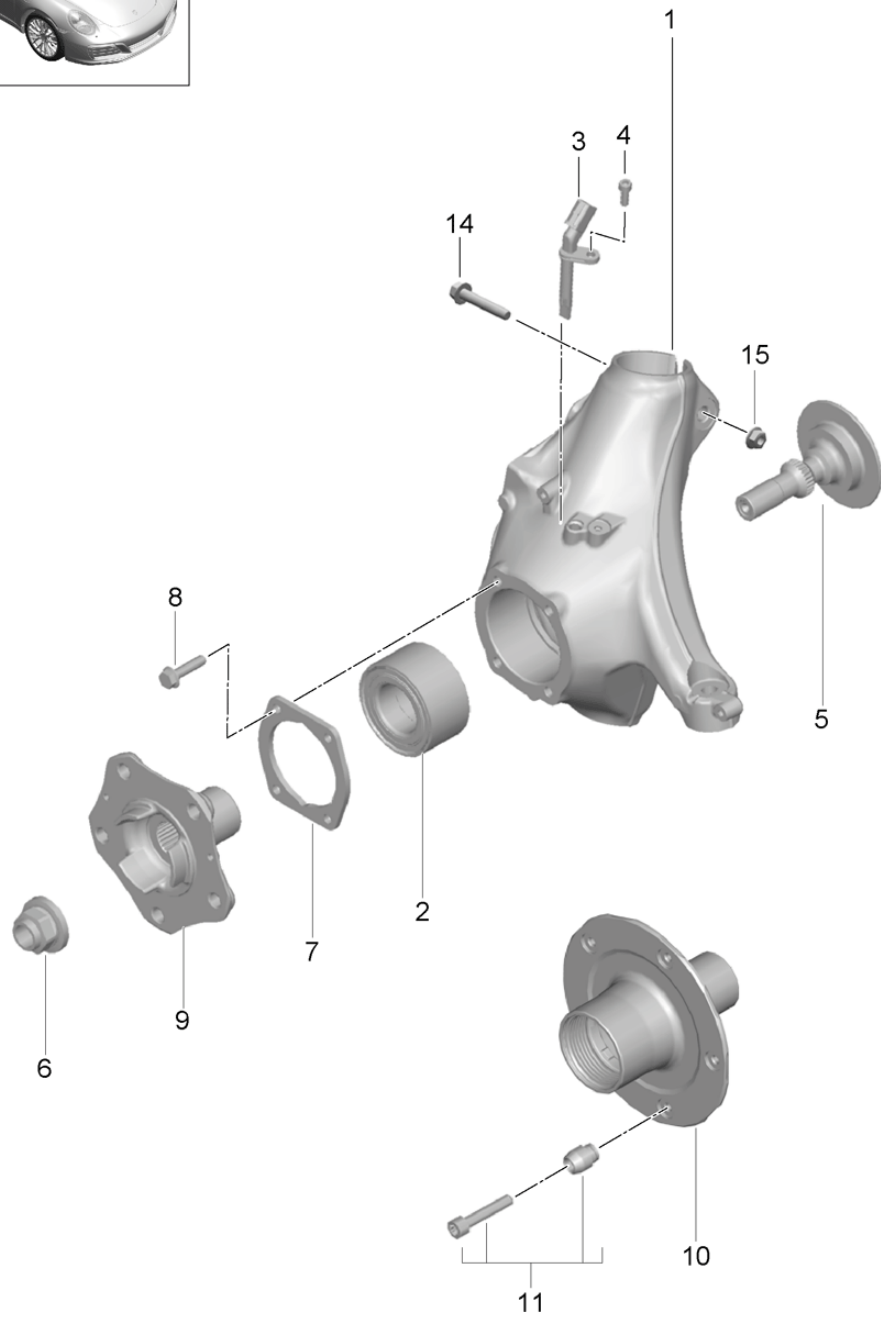
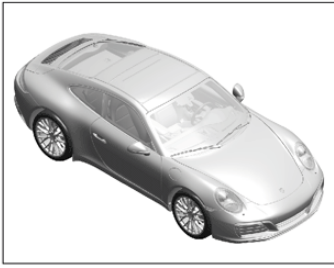


Model: 991-16 Model life 2017>>

Pos	Part Number	Description	Remark	Qty	Model
		Cross member Wishbone			
1	991 341 081 16	Cross member		1	PR:-470
1	991 341 081 37	Cross member		1	PR:-470
(1)	991 341 081 40	Cross member		1	PR:470
2	991 341 043 03	Guide		2	
3	999 072 852 01	Hexagon bolt M 12 X 1,5 X 90 Discontinued part		2	
(3)	9A7 008 209 00	Hexagon bolt M 12 X 1,5 X 90		2	
4	999 084 445 01	Locknut M 12 X 1,5		2	
5	991 341 053 01	Wishbone		2	
6	999 072 892 01	Hexagon bolt AM 14 X 1,5 X 95		2	
7	900 380 012 01	Hexagon nut M 14 X 1,5		2	
8	991 341 481 01	Spoiler	left	1	PR:008,-450
(8)	991 341 482 01	Spoiler	right	1	PR:008,-450
(8)	991 341 483 02	Spoiler	left	1	PR:009,-450
(8)	991 341 484 02	Spoiler	right	1	PR:009,-450
(8)	981 341 483 00	Spoiler	left	1	PR:450
(8)	981 341 484 00	Spoiler	right	1	PR:450
9	991 343 021 01	Level sensor		1	
10	991 343 327 00	Brace		1	
11	996 341 371 03	Bracket for cross member		1	
12	900 380 015 01	Hexagon nut M 6		2	
13	N 104 857 03	Hexagon socket flat head bolt M 5 X 12		2	
14	999 084 449 09	Locknut M 12 X 1,5		2	
15	999 072 864 01	Hexagon bolt AM 12 X 1,5 X 105		2	
16	999 061 125 01	Threaded pin M 12 X 1,5		2	
17	N 909 167 01	Hexagon collar nut self-locking M 12 X 1,5		2	
18	999 072 863 01	Hexagon bolt AM12X1,5X50		2	
19	999 507 795 09	panel nut ST 4,8		5	
20	991 504 741 00	Brace		2	
21	N 911 489 01	multi-point socket head bolt with collar M 12 X 1,5 X 60		4	
22	999 084 648 01	Hexagon nut M 10		4	
23	999 061 011 01	Threaded pin		2	
24	9A7 915 576 01	Corrosion protection		1	

Model: 991-16

Model life 2017>>



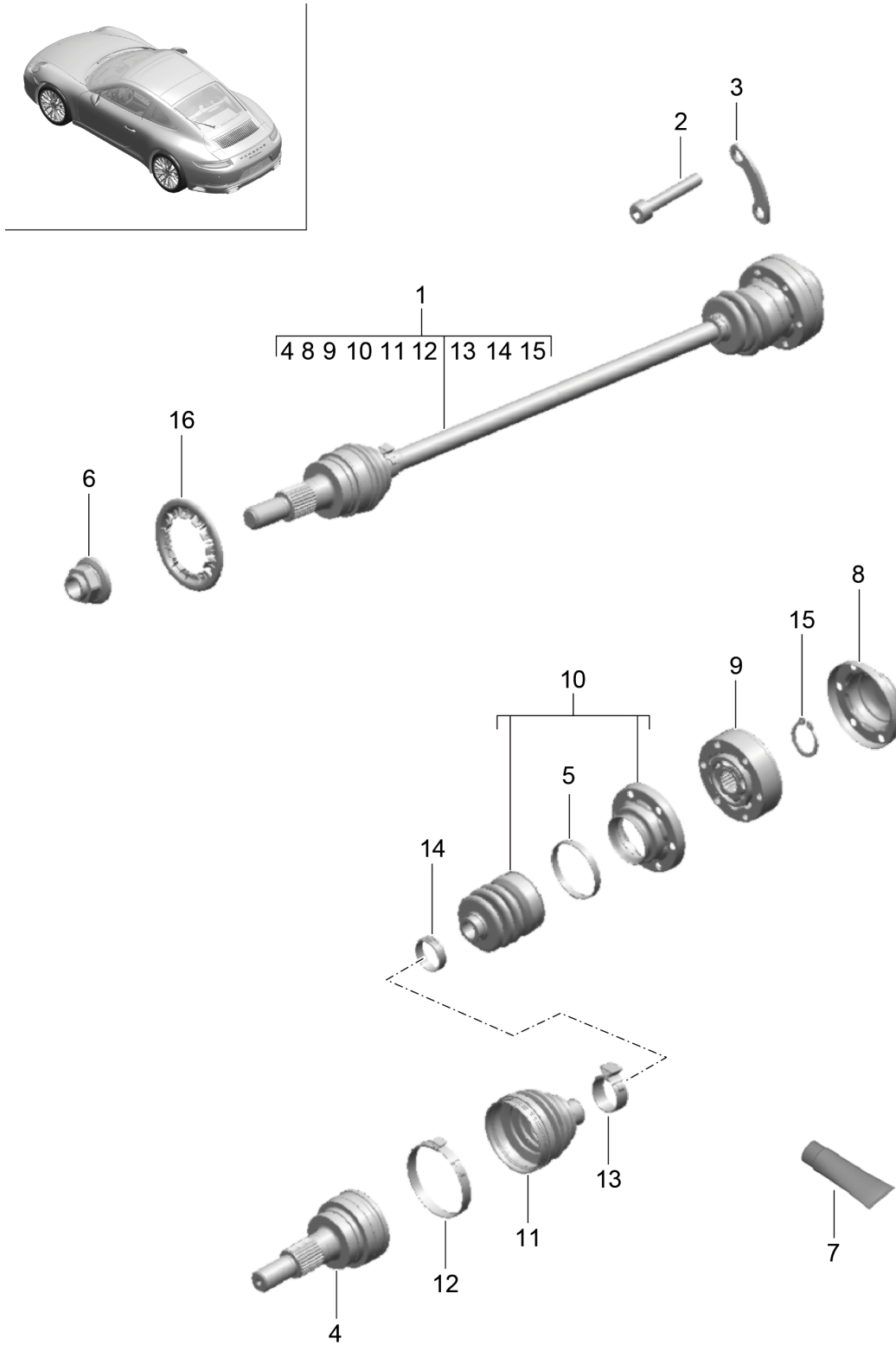
Model: 991-16

Model life 2017&gt;&gt;

Pos	Part Number	Description	Remark	Qty	Model
1	991 341 157 05	Wheel carrier			
		Wheel hub			
(1)	991 341 158 05	Wheel carrier	left	1	PR:-470
1	991 341 157 31	Wheel carrier	right	1	PR:-470
(1)	991 341 158 31	Wheel carrier	left	1	PR:470
2	9P1 407 621	Wheel carrier	right	1	PR:470
3	991 606 407 01	angular ball bearing		2	
4	900 067 117 04	speed sensor		2	
		Socket head bolt		2	
		M 6 X 16			
5	9P1 407 123	retaining bolt		2	
6	WHT 007 021	hex. nut, self-locking with washer		2	PR:-478
		M 22 X 1,5 S			
(6)	999 084 135 02	Hexagon nut		2	PR:478
		M 22 X 1,5 S			
7	986 331 661 20	Cover		2	
8	999 217 042 03	Hexagon bolt		8	
		M 8 X 35			
9	991 341 605 03	Wheel hub		2	PR:-478
10	991 341 607 00	Wheel hub		2	PR:478
11	991 341 901 00	1 set attachment parts comprising:		5	PR:478
		Driving pin		5	
		Socket head bolt		5	
14	999 072 851 01	Hexagon bolt		2	PR:031,352
		AM 12 X 1,5 X 70			
15	999 084 445 01	Locknut		2	
		M 12 X 1,5			

Model: 991-16

Model life 2017>>



Model: 991-16

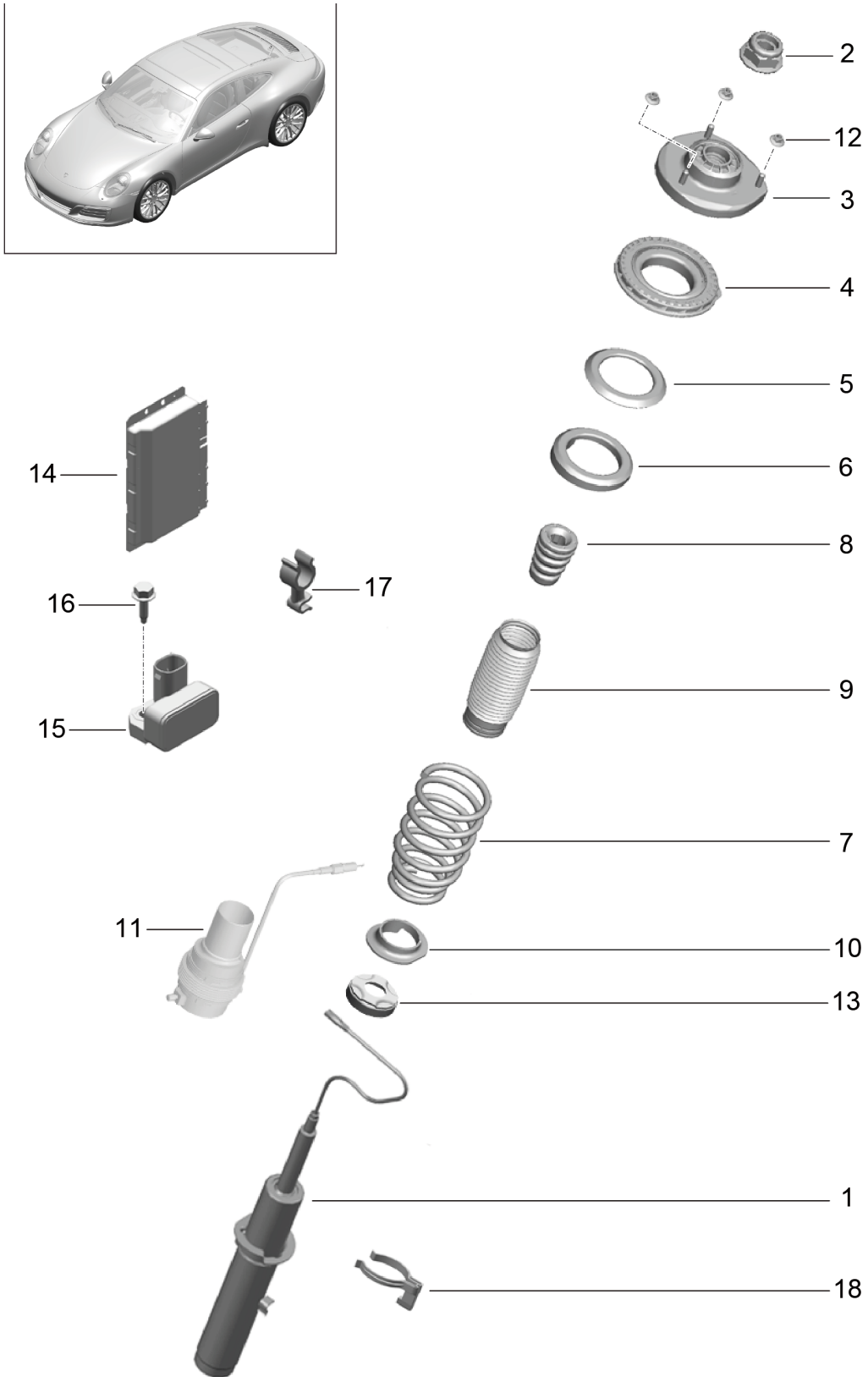
Model life 2017>>

Pos	Part Number	Description	Remark	Qty	Model
1	9P1 407 271	Drive shaft		2	
2	900 067 073 02	Drive shaft		2	
		Socket head bolt		12	
		M 8 X 45			
3	9P1 407 306	Spacer		6	
4	991 349 029 00	Joint		2	
5	N 908 945 01	snap ring		4	
6	WHT 007 021	hex. nut, self-locking with washer		2	
		M 22 X 1,5			
7	000 043 110 02	grease		X	
		1 100-gramme tube			
(7)	000 043 205 36	sealant		X	
		1 100-gramme tube			
8	996 349 267 01	End cap		2	
9	991 349 030 01	Joint		2	
10	997 349 955 00	Bellows		2	
		with:			
11	991 349 291 00	Bellow support			
		Dust bellows		4	
12	N 106 015 01	clamp		2	
13	991 349 257 00	clip		2	
14	9P1 407 293	clip		2	
15	900 041 011 01	Securing ring		2	
16	991 349 269 00	protective ring		2	



Model: 991-16

Model life 2017>>



Model: 991-16 Model life 2017>>

Pos	Part Number	Description	Remark	Qty	Model
1	991 343 045 33	suspension Shock absorber strut Shock absorbers		2	PR:-474,352, 475,477
1	991 343 045 34	Shock absorbers		2	PR:474,352, 475,477
1	991 343 045 39	Shock absorbers		2	PR:474,352, 475,477
(1)	991 343 045 35	Shock absorbers		2	PR:-474,030,
(1)	991 343 045 36	Shock absorbers		2	PR:474,030,
(1)	991 343 045 40	Shock absorbers		2	PR:474,030,
2	999 084 133 01	Hexagon nut M 14 X 1,5		2	
3	991 343 015 02	Shock absorber bearing		2	
4	991 343 501 03	Mounting		2	
5	991 343 513 00	compensation ring		2	PR:030,031,
(5)	991 343 513 00	compensation ring		2	PR:352,475,
6	991 343 511 01	Underlay	upper	2	
7	991 343 531 26	Coil spring		1	PR:352,475, 477
	991 343 531 26 504	1 pair of springs Identification: >> >> Light blue orange D >> - 09.12.2016			
(7)	991 343 531 30	Coil spring		1	PR:352,475, 477
	991 343 531 30 504	1 pair of springs Identification: >> >> Light blue brown D - 10.12.2016>>			
(7)	991 343 531 28	Coil spring		1	PR:030,031
	991 343 531 28 504	1 pair of springs Identification: >> >> yellow-green Zinc Yellow D >> - 09.12.2016			
(7)	991 343 531 32	Coil spring		1	PR:030,031
	991 343 531 32 504	1 pair of springs Identification: >> >> yellow-green fire red D - 10.12.2016>>			
8	991 343 301 03	helper spring		2	PR:352,475, 477
(8)	991 343 301 05	helper spring		2	PR:030,031
9	991 343 509 02	Bellows		2	PR:030,031, 352,475,477
(9)	991 343 509 02	Bellows		2	PR:352,475, 477
10	991 343 525 02	shelf	lower	2	PR:030,031, 352,475,477, -474
(10)	991 343 525 02	shelf	lower	2	PR:352,475, 477,-474
(10)	9P1 412 103	spring disc	lower	2	PR:474
11		Level adjustment see illustration:	402-003		PR:474
12	999 084 447 01	Hexagon nut		6	
12	PAF 003 923	Hexagon nut		6	
13	991 343 661 01	stop cap		2	PR:474
14	991 618 440 24	Control unit		1	PR:030,031,

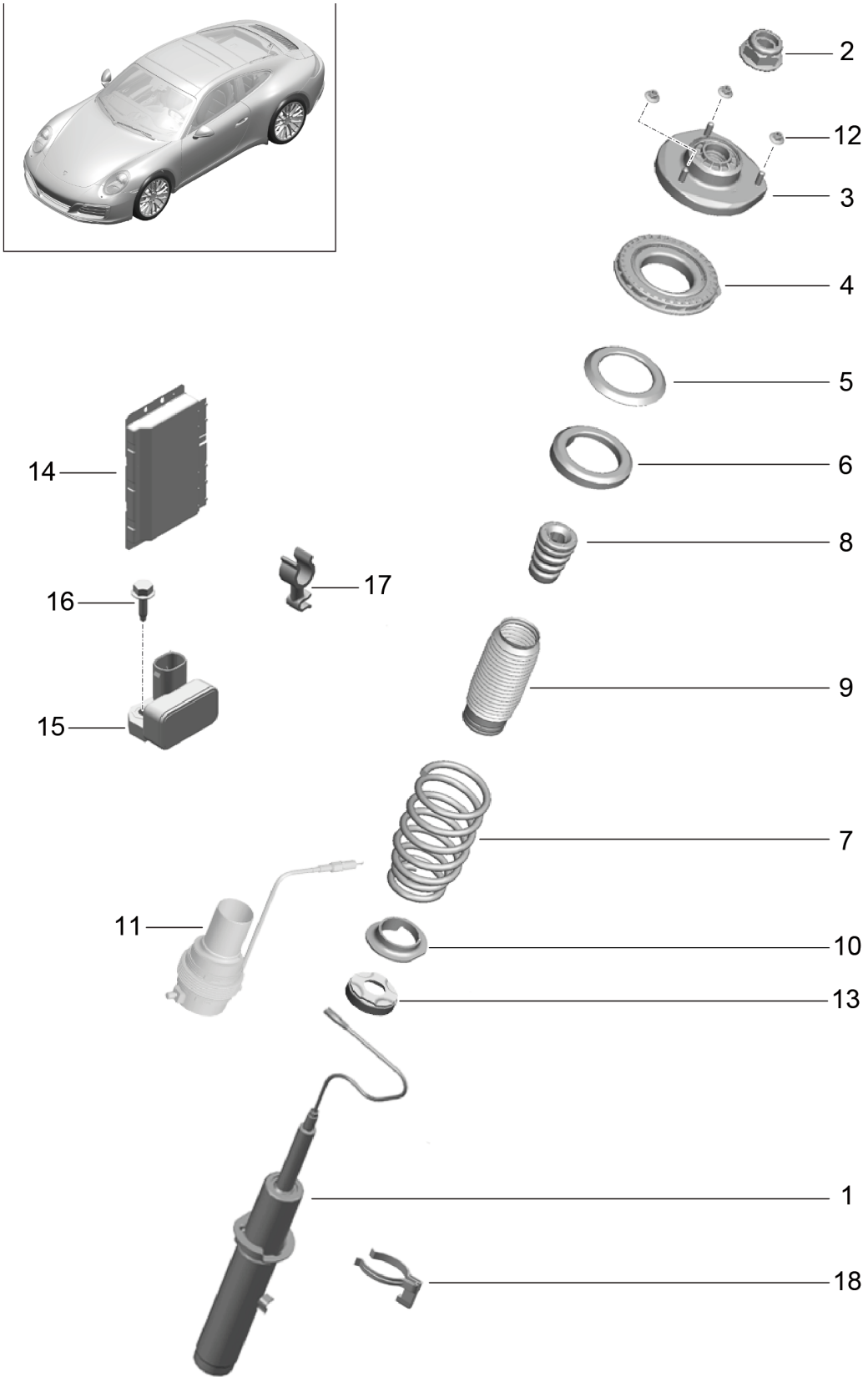
Model: 991-16

Model life 2017>>

Pos	Part Number	Description	Remark	Qty	Model
(14)	991 618 450 24	Control unit		1	352,475,477, -140 PR:030,031, 352,475,477, 140
15	991 606 111 00	Acceleration sensor for bodywork		3	PR:030,031, 352,475,477
16	900 378 173 01	Hexagon bolt M 6 X 20		3	
17	999 507 016 40	Cable holder 4,0 / 10,0		1	
18	991 343 571 00	Distance piece		2	PR:477

Model: 991-16

Model life 2017>>

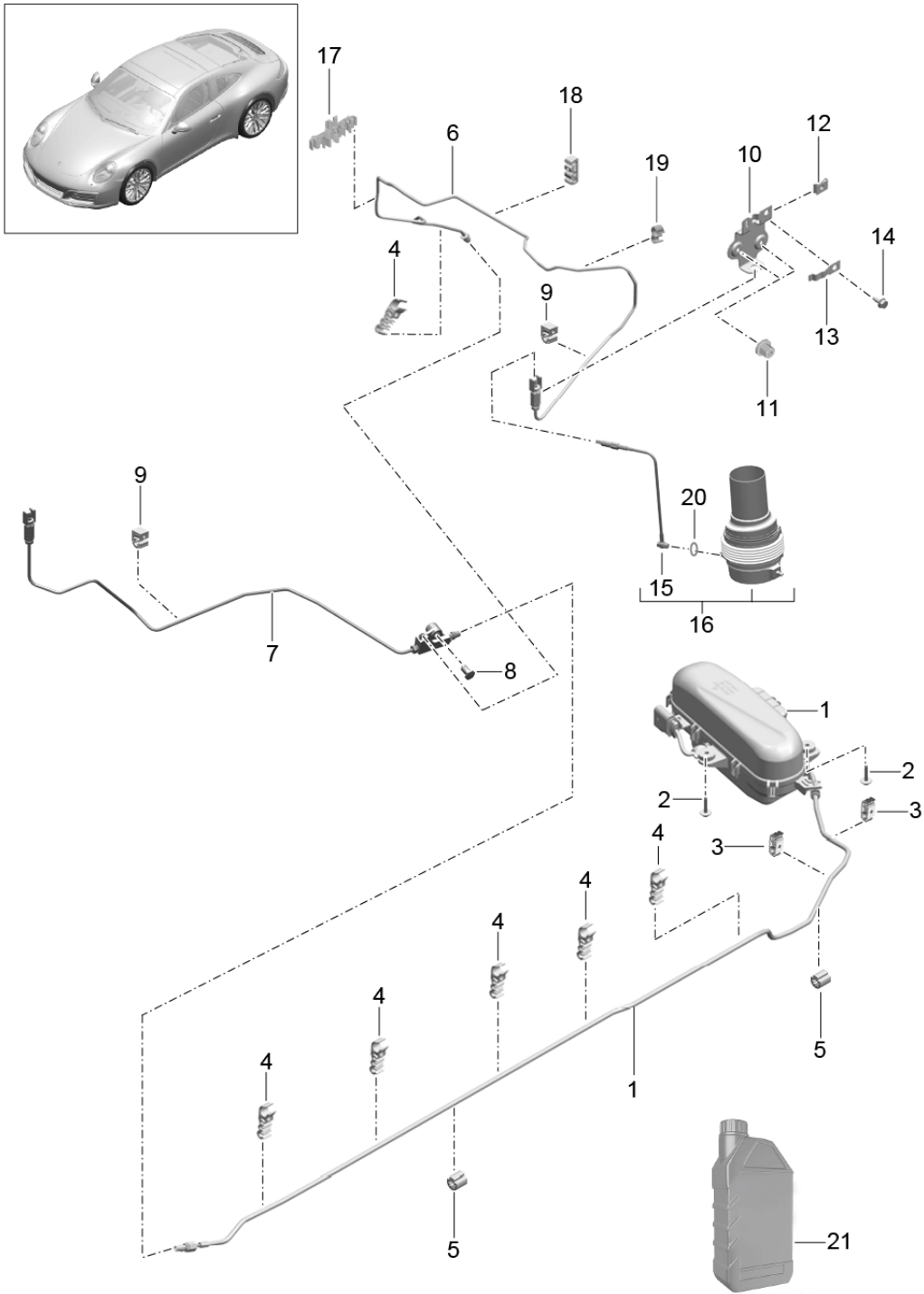


Model: 991-16 Model life 2017>>

Pos	Part Number	Description	Remark	Qty	Model
1	991 343 045 33	suspension Shock absorber strut Shock absorbers		2	PR:-474, -030,-031
(1)	991 343 045 34	Shock absorbers		2	PR:474,-030, -031
(1)	991 343 045 35	Shock absorbers		2	PR:-474,030,
(1)	991 343 045 36	Shock absorbers		2	PR:474,030,
2	999 084 133 01	Hexagon nut M 14 X 1,5		2	
3	991 343 015 02	Shock absorber bearing		2	
4	991 343 501 03	Mounting		2	
5	991 343 513 00	compensation ring		2	
6	991 343 511 01	Underlay	upper	2	
7	991 343 531 25	Coil spring		1	PR:352,475, 477
	991 343 531 25 504	1 pair of springs Identification: >> >> pure white yellow-green D >> - 09.12.2016			
(7)	991 343 531 31	Coil spring		1	PR:352,475, 477
	991 343 531 31 504	1 pair of springs Identification: >> >> pure white Zinc Yellow D - 10.12.2016>>			
(7)	991 343 531 29	Coil spring		1	PR:030,031
	991 343 531 29 504	1 pair of springs Identification: >> >> yellow-green Light blue D >> - 09.12.2016			
(7)	991 343 531 33	Coil spring		1	PR:030,031
	991 343 531 33 504	1 pair of springs Identification: >> >> yellow-green pink D - 10.12.2016>>			
8	991 343 301 03	helper spring		2	PR:352,475, 477
(8)	991 343 301 05	helper spring		2	PR:030,031
9	991 343 509 02	Bellows		2	
10	991 343 525 02	shelf	lower	2	PR:-474
(10)	9P1 412 103	spring disc	lower	2	PR:474
11		Level adjustment see illustration:	402-003		PR:474
12	999 084 447 01	Hexagon nut		6	
12	PAF 003 923	Hexagon nut		6	
13	991 343 661 01	stop cap		2	PR:474
14	991 618 440 24	Control unit		1	PR:030,031, 352,475,477, -140
(14)	991 618 450 24	Control unit		1	PR:030,031, 352,475,477, 140
15	991 606 111 00	Acceleration sensor for bodywork		3	PR:030,031, 352,475,477
16	900 378 173 01	Hexagon bolt M 6 X 20		3	
17	999 507 016 40	Cable holder 4,0 / 10,0		1	

Model: 991-16

Model life 2017>>



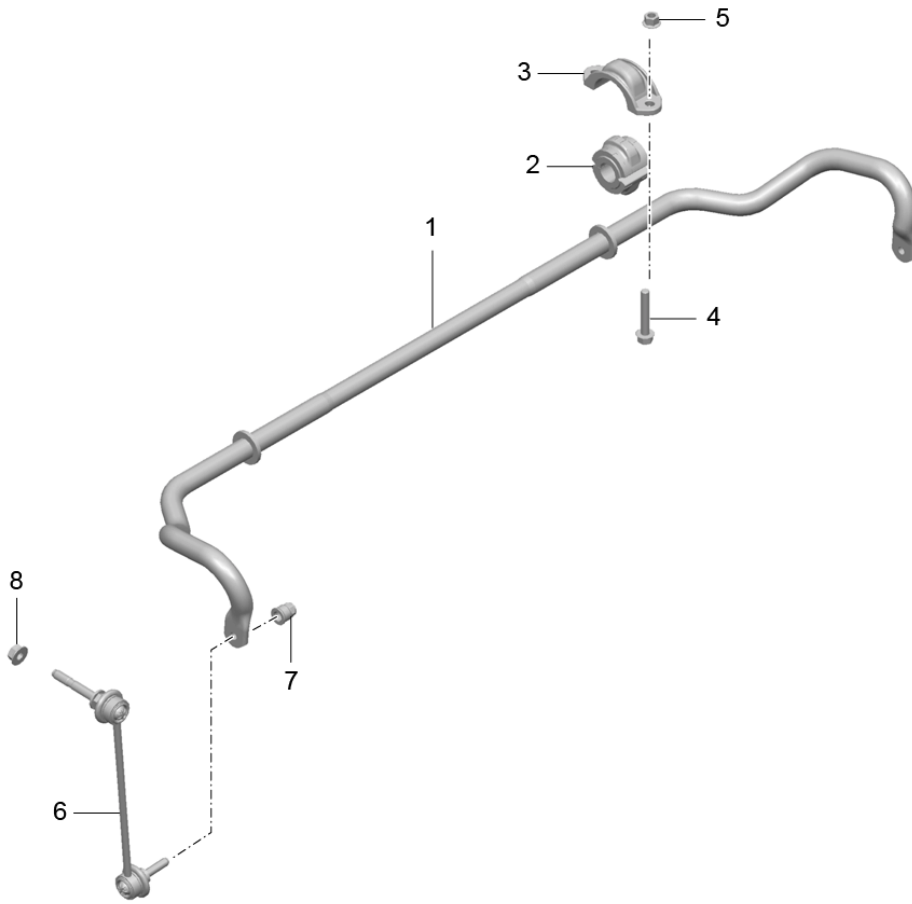
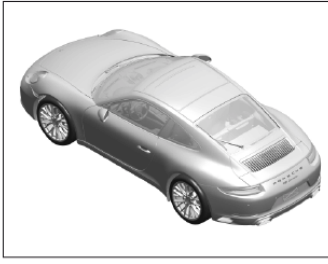
Model: 991-16

Model life 2017>>

Pos	Part Number	Description	Remark	Qty	Model
1	9P1 412 257 A	Level adjustment Pump		1	PR:474
2	999 143 012 01	Level adjustment Hexagon bolt M 6 X 30		3	
3	8E0 611 797 D	Bracket		2	
4	991 355 512 11	Bracket		6	
5	N 107 224 01	Distance piece		2	
6	991 343 175 04	Pressure line	front left	1	
7	991 343 176 04	Pressure line	front right	1	
		with:			
8	999 049 036 40	Connecting piece for Connection point Plastic nut M 6		1	
9	95B 611 797	Clip		2	
10	991 343 815 01	Bracket	left	1	
(10)	991 343 816 01	Bracket	right	1	
11	N 910 189 01	Hexagon plastic collar nut T6 / 16,5		4	
12	N 901 686 07	Speed nut M 6		2	
13	991 343 817 00	Bracket		2	
14	900 378 155 01	Hexagon bolt M 6 X 16		2	
15	9P1 412 517	Pressure line		1	
(15)	9P1 411 813	D >> - 09.12.2016 Hose D - 10.12.2016>>		1	
16	9P1 412 179 B	Governor Hydraulic D >> - 09.12.2016		2	
(16)	9P1 412 179 C	Governor Hydraulic D - 10.12.2016>>		2	
17	991 355 507 60	Bracket		1	
18	8K0 611 797 G	Brake line bracket		1	
19	999 507 567 40	Cable holder 7,00 - 9,00		1	PR:487
20	N 013 830 2	seal ring Copper 8 X 12		2	
21	000 043 204 89	Oil		1	

Model: 991-16

Model life 2017>>



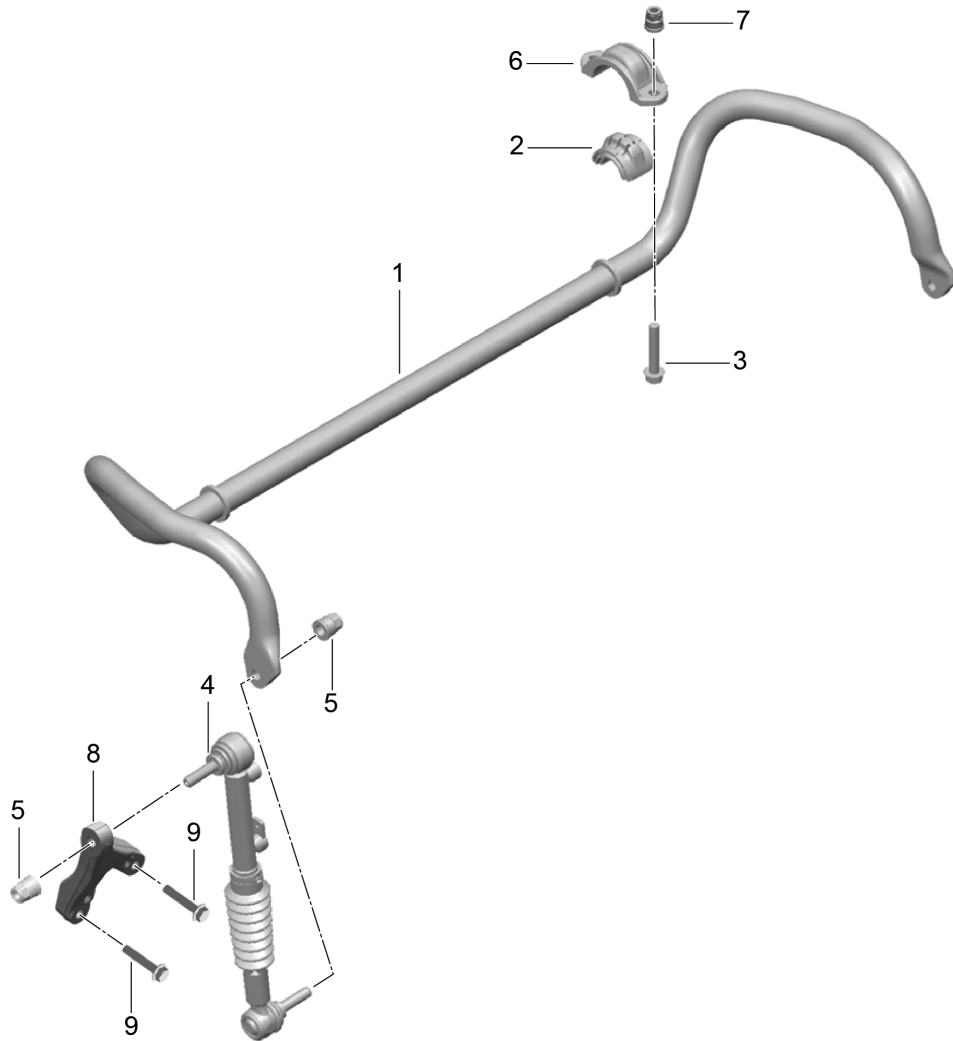
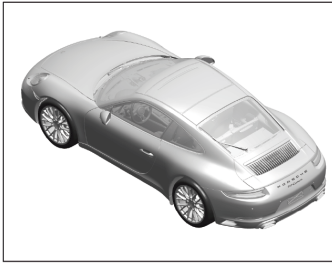


Model: 991-16 Model life 2017>>

Pos	Part Number	Description	Remark	Qty	Model
1	991 343 705 10	Anti-roll bar Anti-roll bar Identification: >> >> Light green		1	PR:-031 PR:008
(1)	991 343 705 10	Anti-roll bar Identification: >> >> Light green		1	PR:009,-030
(1)	991 343 705 15	Anti-roll bar Identification: >> >>		1	PR:009,030
(1)	991 343 705 12	pink Anti-roll bar Identification: >> >>		1	PR:008
(1)	991 343 705 12	Grey Anti-roll bar Identification: >> >>		1	PR:009,-030
(1)	991 343 705 11	Grey Anti-roll bar Identification: >> >> blue		1	PR:009,030
2	991 343 792 07	anti-roll bar bearing bracket		2	PR:008
(2)	991 343 792 07	anti-roll bar bearing bracket		2	PR:009,-030
(2)	991 343 792 08	anti-roll bar bearing bracket		2	PR:009,030
(2)	991 343 792 07	anti-roll bar bearing bracket		2	PR:008
(2)	991 343 792 07	anti-roll bar bearing bracket		2	PR:009,-030
(2)	991 343 792 07	anti-roll bar bearing bracket		2	PR:009,030
3	991 343 777 00	Clamp		2	
4	999 072 836 01	Hexagon bolt AM 10 X 60		4	
5	900 380 008 01	Hexagon nut M 10		4	
6	991 343 069 02	Coupling rod	left	1	
(6)	991 343 070 02	Coupling rod	right	1	
7	999 084 123 09	Hexagon nut M 10	lower	2	
8	999 084 445 01	Locknut M 12 X 1,5	upper	2	

Model: 991-16

Model life 2017>>



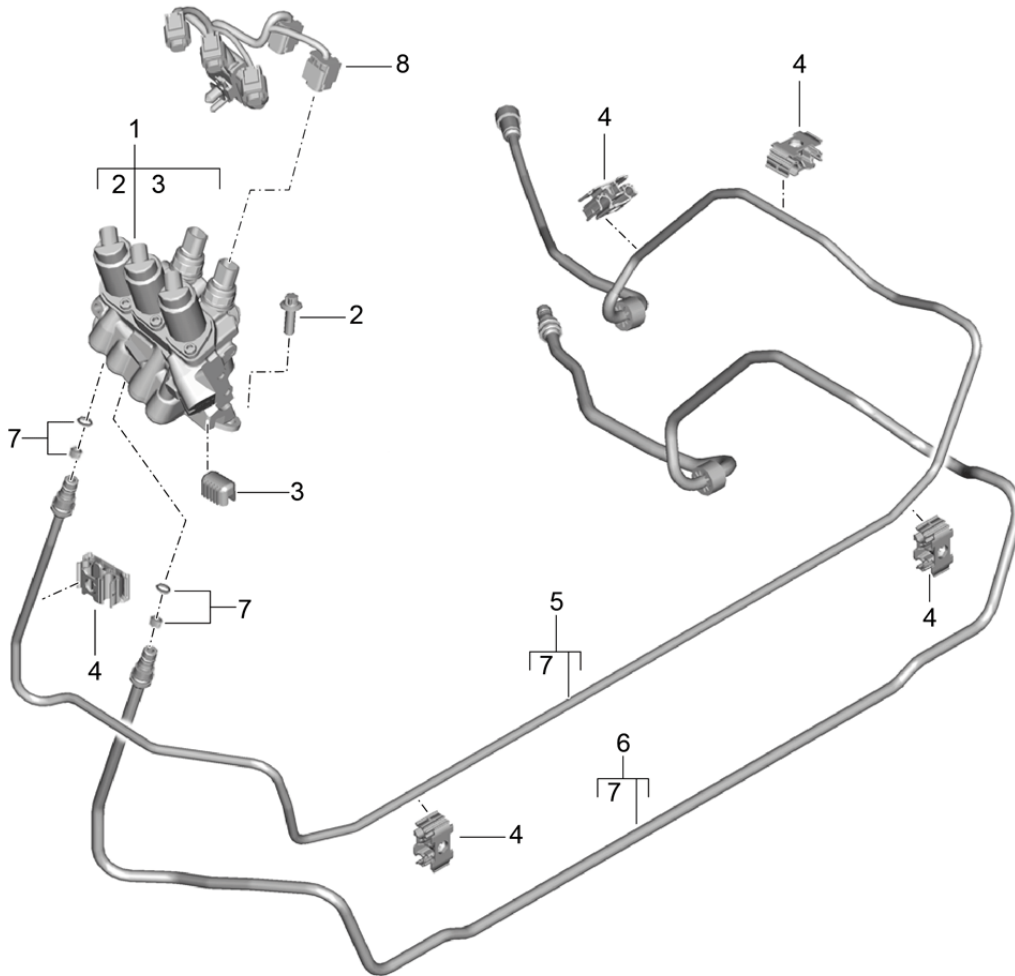
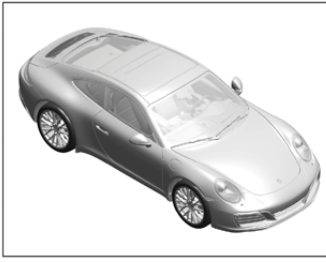
Model: 991-16

Model life 2017>>

Pos	Part Number	Description	Remark	Qty	Model
		Anti-roll bar PDCC			PR:031,352
1	991 343 703 10	Anti-roll bar		1	
2	991 343 793 02	anti-roll bar bearing bracket		2	
3	999 072 836 01	Hexagon bolt M 10 X 60		4	
4	991 359 083 04	Damper		2	
5	999 084 132 01	Hexagon nut M 12		4	
6	991 343 777 00	Clamp		2	
7	900 380 008 01	Hexagon nut M 10		4	
8	991 341 359 00	Adapter Damper	left	1	
(8)	991 341 360 00	Adapter Damper	right	1	
9	900 378 076 01	Hexagon bolt M 10 X 50		4	

Model: 991-16

Model life 2017>>



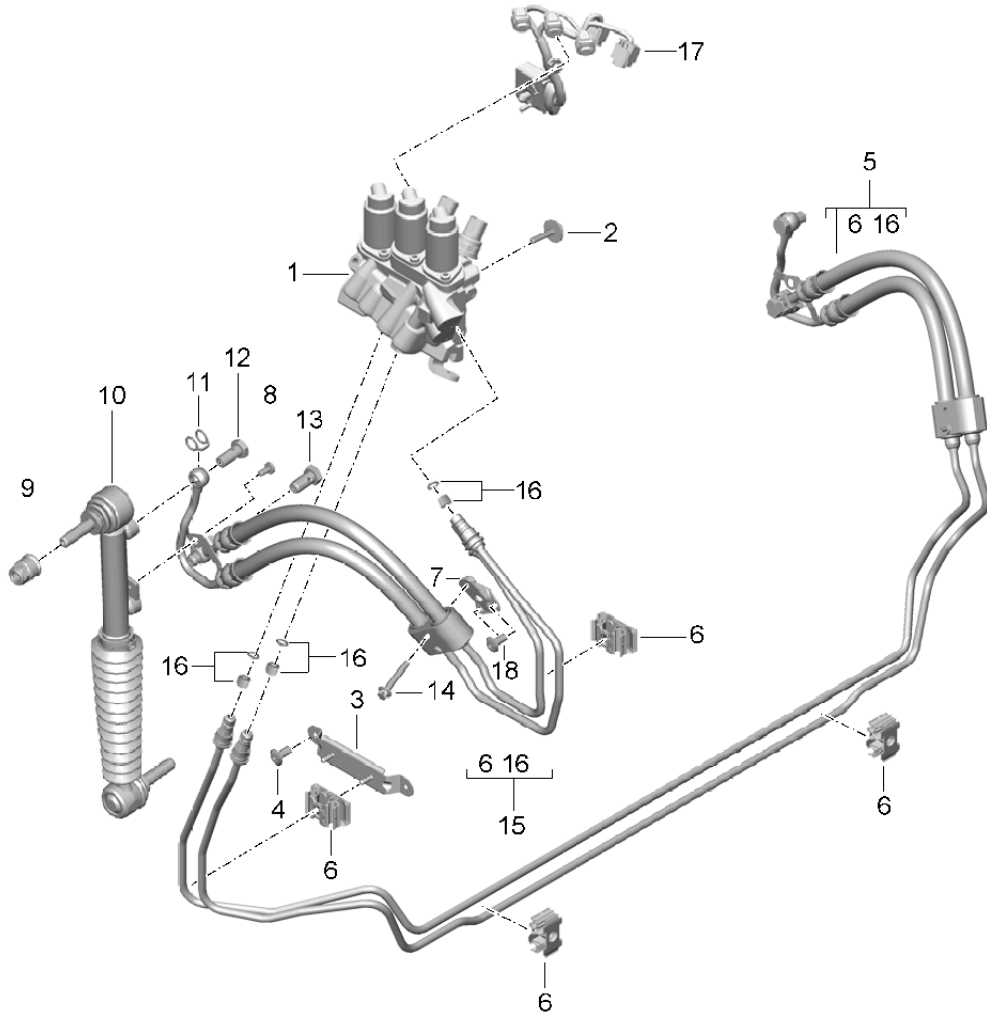
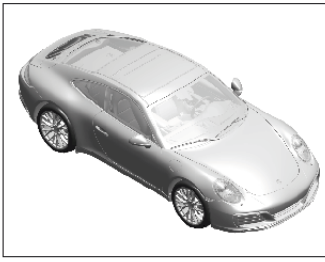
Model: 991-16

Model life 2017>>

Pos	Part Number	Description	Remark	Qty	Model
		Lines Valve block Front end PDCC			PR:031,352
1	991 359 075 04	Valve block		1	
2	900 378 180 01	Hexagon bolt AM 8 X 25		2	
3	991 359 375 00	Rubber bush		2	
4	999 507 162 40	Cable holder 8,0/10,0		5	
5	991 359 221 02	Pressure line		1	
6	991 359 223 02	return line		1	
7	997 347 945 00	repair set comprising: Spring O-ring		X	
8	991 609 898 00	Wire set Valve block		1	

Model: 991-16

Model life 2017>>

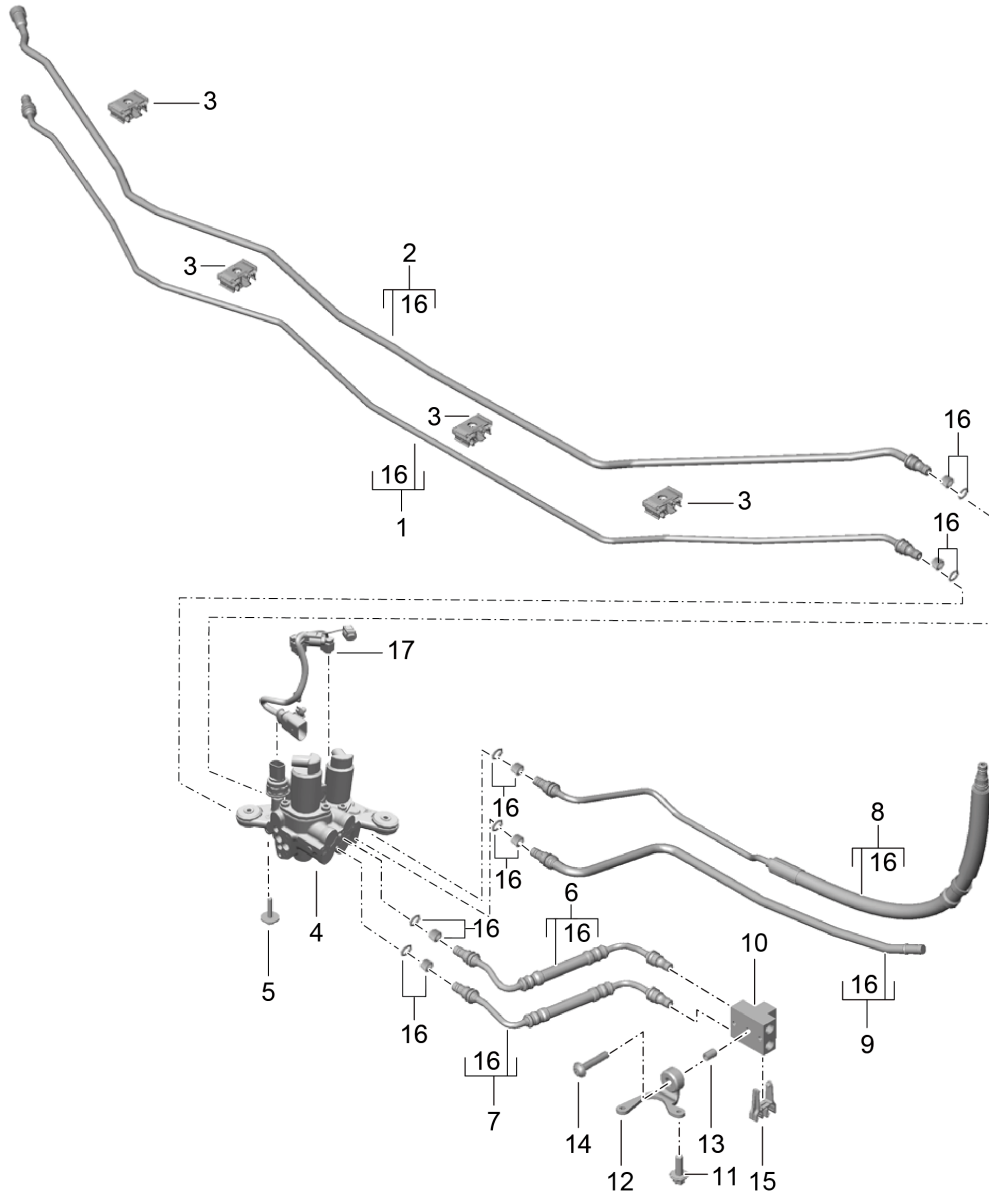
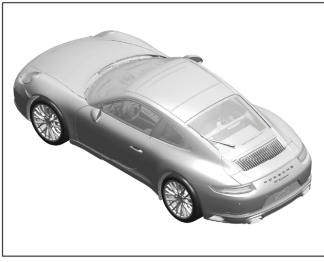


Model: 991-16 Model life 2017>>

Pos	Part Number	Description	Remark	Qty	Model
		Lines			PR:031,352
		Front end			
		Damper			
		PDCC			
1	991 359 075 04	Valve block		1	
2	900 378 318 01	Bolt with washer		1	
		M 6 X 30			
3	991 359 273 02	Bracket		1	
4	900 378 169 01	Hexagon bolt		2	
		M 6 X 12			
5	991 359 157 04	Line harness		1	PR:-011
(5)	991 359 157 27	Line harness		1	PR:011
(5)	991 359 157 27	Line harness		1	
6	999 507 907 40	Cable holder		4	
		8,0/8,0			
7	991 359 275 03	Bracket		2	
8	999 073 189 01	flat round head bolt		2	
		M 6 X 12			
9	999 084 132 01	Hexagon nut		4	
		M 12 X 1,5			
10	991 359 083 04	Damper		2	
11	991 359 361 01	Sealing plate		4	
12	900 175 020 03	Banjo bolt		2	
		8			
13	991 359 359 00	Banjo bolt		2	
		with:			
		Non-return valve			
14	900 385 045 01	Torx screw		2	
		BM 6 X 40			
		D >> - 19.03.2017			
(14)	9A7 008 130 00	Torx screw		2	
		BM 6 X 40			
		D - 20.03.2017>>			
15	991 359 158 03	Line harness		1	
16	997 347 945 00	repair set		X	
		comprising:			
		Spring			
		O-ring			
17	991 609 898 00	Wire set		1	
		Valve block			
18	900 333 016 30	Pop rivet		4	
		A 5 X 10,00			

Model: 991-16

Model life 2017>>





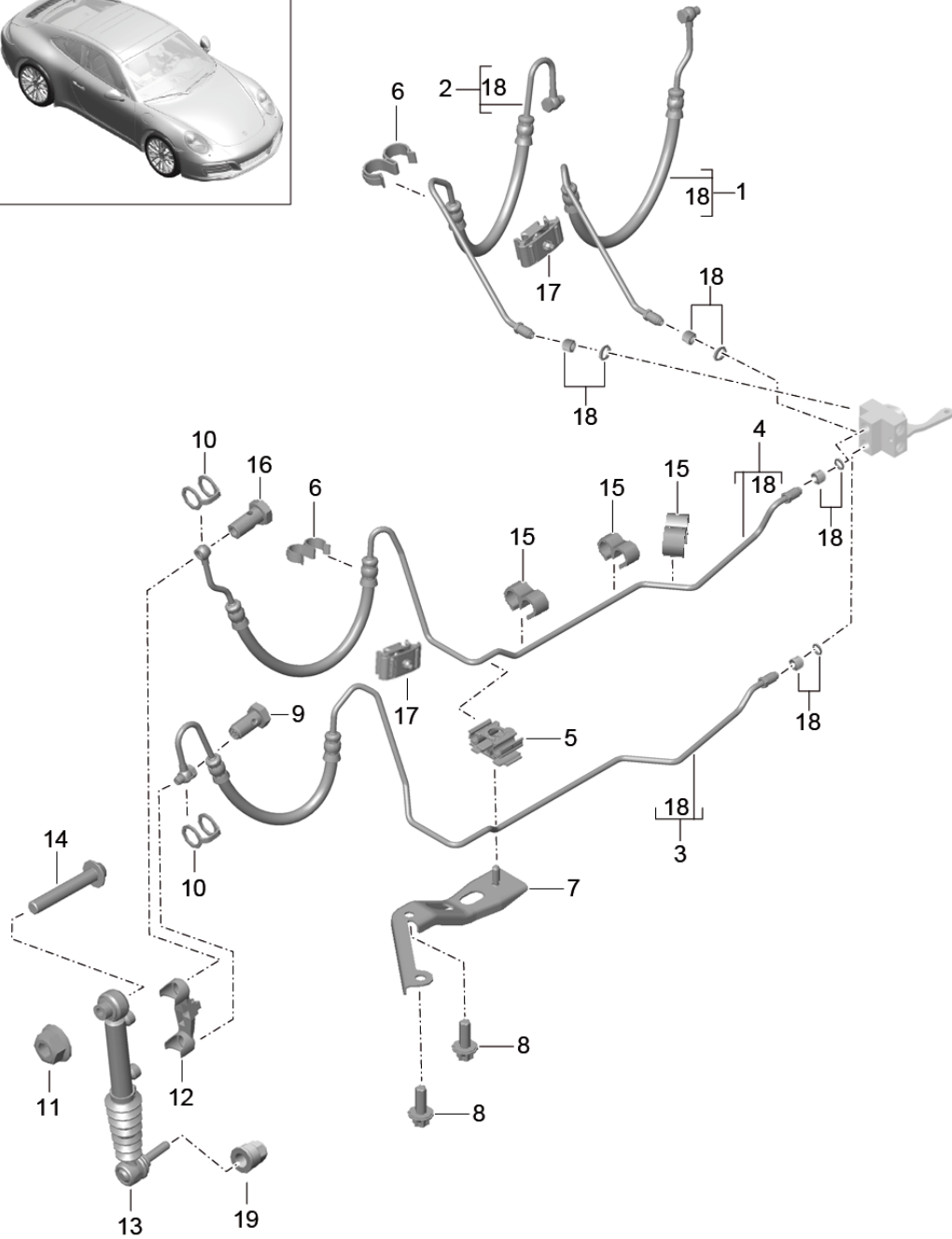
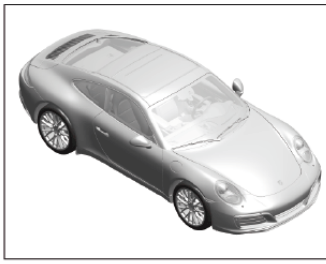
Model: 991-16

Model life 2017>>

Pos	Part Number	Description	Remark	Qty	Model
		Lines	center		PR:031,352
		Underbody			
		PDCC			
1	991 359 261 01	Pressure line		1	
2	991 359 263 02	return line		1	
3	999 507 162 40	Cable holder		4	
		8,0/10,0			
4	991 359 077 04	Valve block		1	
5	999 143 012 01	Hexagon bolt		3	
		M 6 X 30			
6	991 359 255 03	Pressure line		1	
7	991 359 253 03	Pressure line		1	
8	991 359 237 03	Pressure line		1	
9	991 359 225 02	return line		1	
10	991 359 179 01	t-piece		1	
11	900 385 009 01	Torx screw		2	
		BM 6 X 16			
12	991 359 279 02	Bracket		1	
13	991 359 287 00	bush		1	
14	999 073 417 01	fillister hd. bolt		1	
15	991 359 289 02	Bracket		2	
16	997 347 945 00	repair set		X	
		comprising:			
		Spring			
		O-ring			
17	991 609 899 00	Wire set		1	
		Valve block			

Model: 991-16

Model life 2017>>



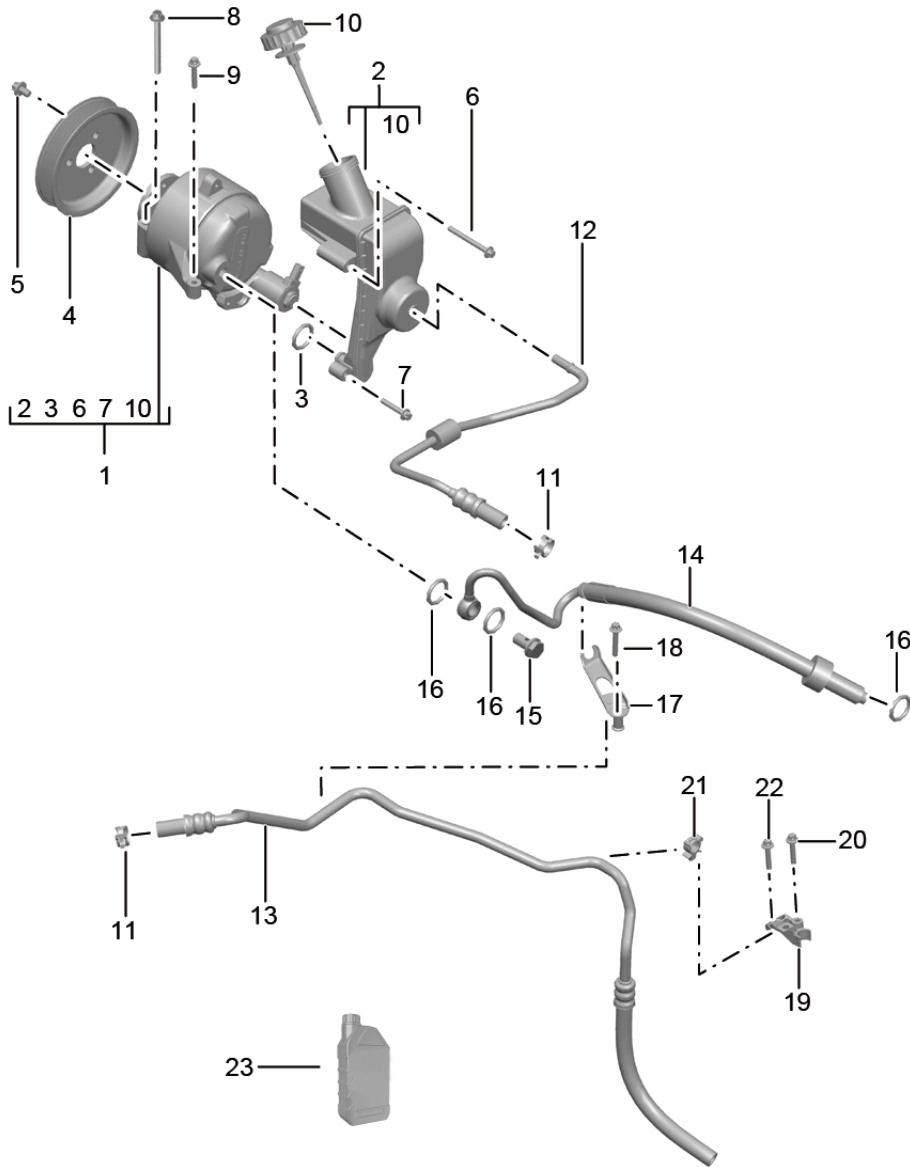
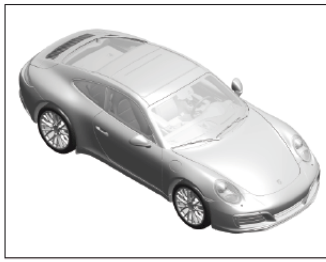
Model: 991-16

Model life 2017>>

Pos	Part Number	Description	Remark	Qty	Model
		Lines Rear end Damper PDCC			PR:031,352
1	991 359 249 03	Pressure line	left	1	
2	991 359 251 03	Pressure line	left	1	
3	991 359 250 03	Pressure line	right	1	
4	991 359 252 03	Pressure line	right	1	
5	999 507 907 40	Cable holder 8,0/8,0		1	
6	999 507 830 40	Cable holder 21,5/21,5		2	
7	991 359 280 02	Bracket		1	
8	900 385 009 01	Torx screw BM 6 X 16		2	
9	991 359 359 00	Banjo bolt		2	
		with:			
10	991 359 361 01	Non-return valve Sealing plate		4	
11	999 084 445 01	Locknut M 12 X 1,5		4	
12	991 359 285 02	Bracket	left	1	
(12)	991 359 286 02	Discontinued part Bracket Discontinued part	right	1	
13	991 359 085 04	Damper		2	
14	999 073 530 01	Socket head bolt M 12 X 1,5 X 72		2	
15	999 591 897 40	Bracket 8,0/8,0		3	
16	900 175 020 03	Banjo bolt M 12 X 1,5		2	
17	955 359 513 00	Line holder		2	
18	997 347 945 00	repair set comprising: Spring O-ring		X	
19	999 084 132 01	Hexagon nut M 12 X 1,5		2	

Model: 991-16

Model life 2017>>

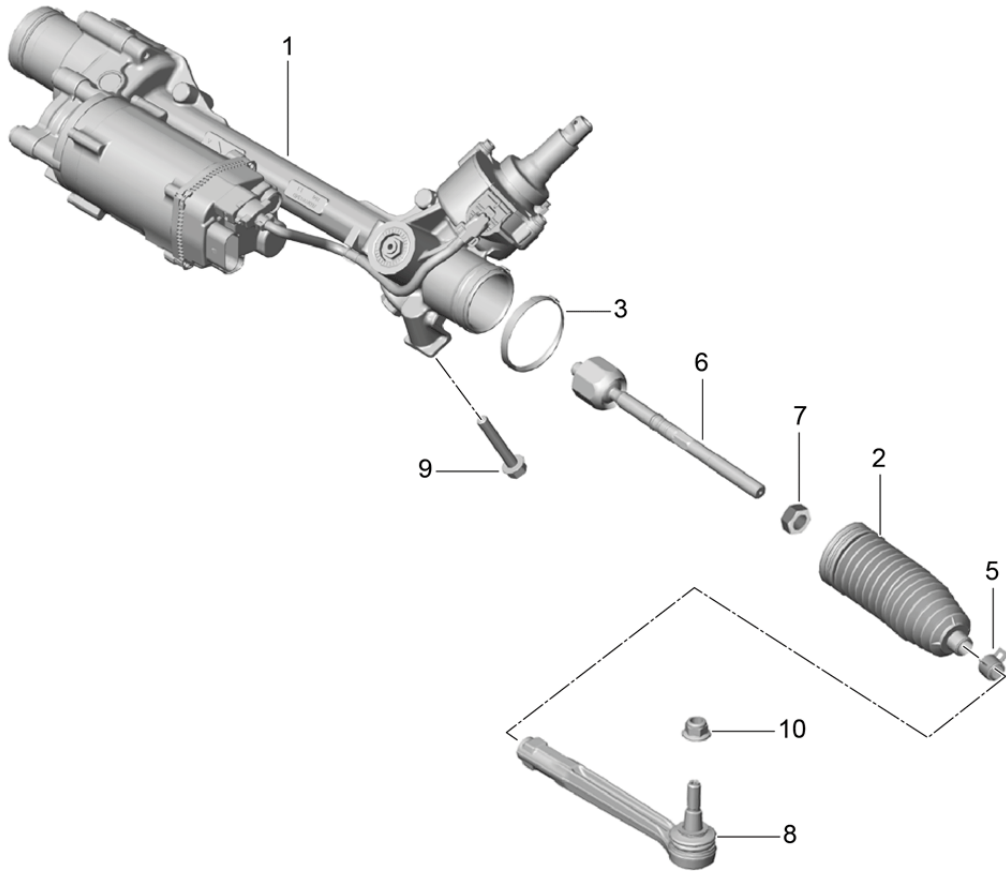
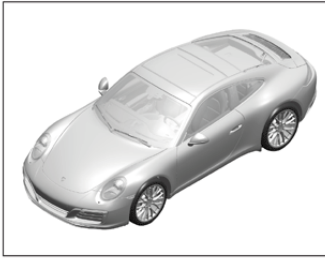


Model: 991-16 Model life 2017>>

Pos	Part Number	Description	Remark	Qty	Model
		Lines			PR:031,352
		Engine			
		PDCC			
1	9A1 359 021 04	Pump		1	
2	9A1 359 081 03	container		1	
		with:			
		O-ring			
3	999 701 184 40	O-ring		1	
		12,3 X 2,15			
4	9A1 147 123 00	pulley		1	
5	900 385 099 01	Torx screw		3	
		BM 8 X 12			
6	900 385 276 01	Torx screw		1	
		M 6 X 60			
7	900 385 270 01	Hexagon head bolt		1	
		M 6 X 35			
8	900 385 091 01	Hexagon head bolt		2	
		BM 8 X 60			
9	900 385 048 01	Torx screw		1	
		BM 6 X 30			
10	9A1 359 223 00	Cover		1	
11	999 512 744 01	Clamp		2	
		B 19 X 12			
12	9A1 359 229 50	return line		1	
13	9A2 359 227 50	return line		1	
14	9A1 359 235 04	Pressure line		1	
		with:			
		Banjo bolt		1	
		with:			
		O-ring		2	
15	999 230 288 01	Banjo bolt		1	
		M 14 X 1,5			
		D >> - 14.05.2017			
(15)	9A7 008 338 00	Banjo bolt		1	
		M 14 X 1,5			
		D - 15.05.2017>>			
16	999 707 446 40	O-ring		2	
		18 X 2,5			
17	9A1 359 335 03	Bracket		1	
19	9A1 359 339 02	Bracket		1	
20	900 385 048 01	Torx screw		1	
		M 6 X 30			
21	999 507 906 40	Bracket		1	
		12,00			
22	900 385 072 01	Torx screw		1	
		BM 6 X 25			
23	000 043 206 56	Pentosin		1	

Model: 991-16

Model life 2017>>



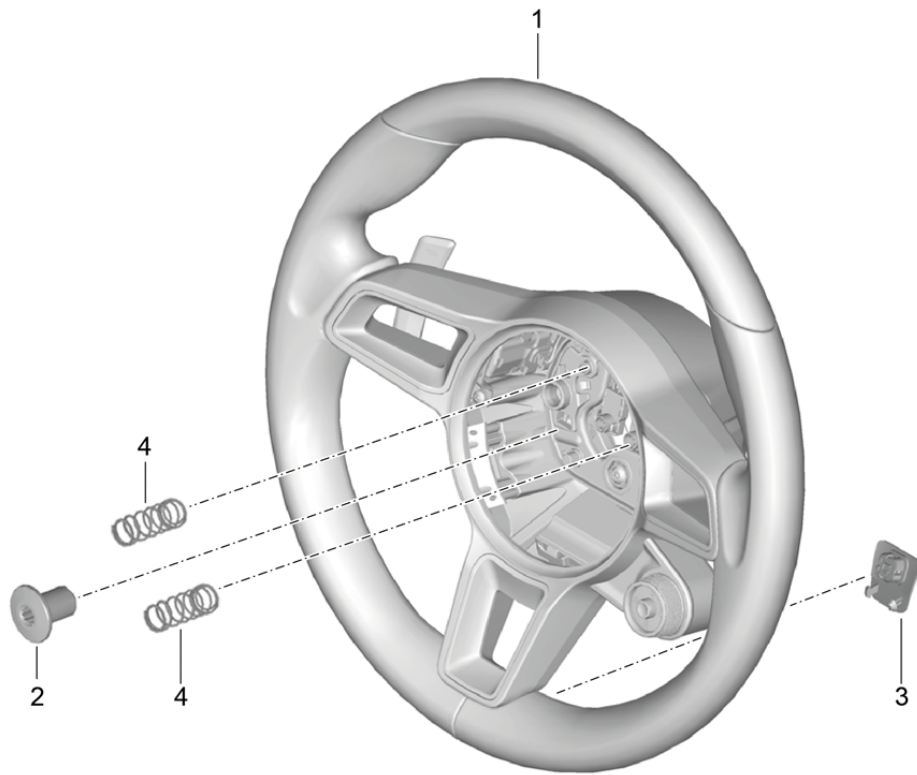
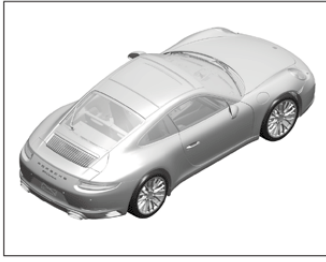
Model: 991-16

Model life 2017&gt;&gt;

Pos	Part Number	Description	Remark	Qty	Model
1	991 347 011 25	Steering gear Steering parts Steering gear D >> - 17.01.2017		1	PR:098,657, 658,-470
1	991 347 011 26	Steering gear D - 18.01.2017>>		1	PR:098,657, 658,-470
(1)	991 347 012 25	Steering gear D >> - 17.01.2017		1	PR:099,657, 658,-470
(1)	991 347 012 26	Steering gear D - 18.01.2017>>		1	PR:099,657, 658,-470
(1)	991 347 011 65	Steering gear D >> - 17.01.2017		1	PR:098,657, 658,470
(1)	991 347 011 66	Steering gear D - 18.01.2017>>		1	PR:098,657, 658,470
(1)	991 347 012 65	Steering gear D >> - 17.01.2017		1	PR:099,657, 658,470
(1)	991 347 012 66	Steering gear D - 18.01.2017>>		1	PR:099,657, 658,470
2	991 347 191 01	Bellows		2	
3	991 347 293 01	clamping ring		2	
5	991 347 375 01	clamping ring		2	
6	991 347 322 00	Joint		2	
7	999 034 037 01	Hexagon nut M 14 X 1,5		2	
8	991 347 131 00	Track rod		2	
9	999 072 836 01	Hexagon bolt AM 10 X 60		2	
10	999 084 449 09	Locknut M 12 X 1,5		2	

Model: 991-16

Model life 2017>>





Model: 991-16 Model life 2017>>

Pos	Part Number	Description	Remark	Qty	Model
1	9P1 419 091 EG	Steering wheels - PDK - steering wheel (leather)		1	PR:250 PR:855,QR0, -489
	9P1 419 091 EG A34	Black	-GF,GG,GQ,GR, GW,GY,AG,AJ, AQ,AZ,BT,BM, TD,99		
	9P1 419 091 EG OE5	agate grey	-FG,FJ,FQ,FZ		
	9P1 419 091 EG 9J9	Luxor beige	-UG,UJ,UQ,UZ		
	9P1 419 091 EG OH7	Graphite Blue	-HZ,BG,TG		
	9P1 419 091 EG OK6	saddle brown	-SZ		
	9P1 419 091 EG OG6	Bordeaux red	-LZ		
	9P1 419 091 EG 6H6	Espresso	-NE,BY		
(1)	9P1 419 091 EH	steering wheel (leather)		1	PR:855,QR4, QR5,-489
	9P1 419 091 EH A34	Black	-GF,GG,GQ,GR, GW,GY,AG,AJ, AQ,AZ,BT,BM, TD,99		
	9P1 419 091 EH OE5	agate grey	-FG,FJ,FQ,FZ		
	9P1 419 091 EH 9J9	Luxor beige	-UG,UJ,UQ,UZ		
	9P1 419 091 EH OH7	Graphite Blue	-HZ,BG,TG		
	9P1 419 091 EH OK6	saddle brown	-SZ		
	9P1 419 091 EH OG6	Bordeaux red	-LZ		
	9P1 419 091 EH 6H6	Espresso	-NE,BY		
(1)	95B 419 091 AK	steering wheel Leather		1	PR:855,QR0, 489
	95B 419 091 AK A34	Black	-GF,GG,GQ,GR, GW,GY,AG,AJ, AQ,AZ,BT,BM, TD,99		
	95B 419 091 AK OE5	agate grey	-FG,FJ,FQ,FZ		
	95B 419 091 AK 9J9	Luxor beige	-UG,UJ,UQ,UZ		
	95B 419 091 AK OH7	Graphite Blue	-HZ,BG,TG		
	95B 419 091 AK OK6	saddle brown	-SZ		
	95B 419 091 AK OG6	Bordeaux red	-LZ		
	95B 419 091 AK 6H6	Espresso	-NE,BY		
(1)	9P1 419 091 EJ	steering wheel (leather)		1	PR:855,QR4, QR5,489
	9P1 419 091 EJ A34	Black	-GF,GG,GQ,GR, GW,GY,AG,AJ, AQ,AZ,BT,BM, TD,99		
	9P1 419 091 EJ OE5	agate grey	-FG,FJ,FQ,FZ		
	9P1 419 091 EJ 9J9	Luxor beige	-UG,UJ,UQ,UZ		
	9P1 419 091 EJ OH7	Graphite Blue	-HZ,BG,TG		
	9P1 419 091 EJ OK6	saddle brown	-SZ		
	9P1 419 091 EJ OG6	Bordeaux red	-LZ		
	9P1 419 091 EJ 6H6	Espresso	-NE,BY		
(1)	9P1 419 091 EK	steering wheel Carbon		1	PR:XHW,QR0, 489
	9P1 419 091 EK A34	Black	-GF,GG,GQ,GR, GW,GY,AG,AJ, AQ,AZ,BT,BM, TD,99		
	9P1 419 091 EK OE5	agate grey	-FG,FJ,FQ,FZ		
	9P1 419 091 EK 9J9	Luxor beige	-UG,UJ,UQ,UZ		
	9P1 419 091 EK OH7	Graphite Blue	-HZ,BG,TG		
	9P1 419 091 EK OK6	saddle brown	-SZ		
	9P1 419 091 EK OG6	Bordeaux red	-LZ		
	9P1 419 091 EK 6H6	Espresso	-NE,BY		
(1)	9P1 419 091 EM	steering wheel		1	PR:XHW,QR4,

Model: 991-16

Model life 2017>>

Pos	Part Number	Description	Remark	Qty	Model
	9P1 419 091 EM A34	Carbon Black	-GF,GG,GQ,GR, GW,GY,AG,AJ, AQ,AZ,BT,BM, TD,99		QR5,489
	9P1 419 091 EM OE5	agate grey	-FG,FJ,FQ,FZ		
	9P1 419 091 EM 9J9	Luxor beige	-UG,UJ,UQ,UZ		
	9P1 419 091 EM OH7	Graphite Blue	-HZ,BG,TG		
	9P1 419 091 EM OK6	saddle brown	-SZ		
	9P1 419 091 EM OG6	Bordeaux red	-LZ		
	9P1 419 091 EM 6H6	Espresso	-NE,BY		
(1)	9P1 419 091 EL	steering wheel Mahogany Yachting		1	PR:XHV,QR0, 489
	9P1 419 091 EL A34	Yachting mahogany/black	-GF,GG,GQ,GR, GW,GY,AG,AJ, AQ,AZ,BT,BM, TD,99		
	9P1 419 091 EL OE5	Yachting mahogany/agate grey	-FG,FJ,FQ,FZ		
	9P1 419 091 EL 9J9	Yachting mahogany/luxor beige	-UG,UJ,UQ,UZ		
	9P1 419 091 EL OH7	Yachting mahogany/graphit blue	-HZ,BG,TG		
	9P1 419 091 EL OK6	Yachting mahogany/saddle brown	-SZ		
	9P1 419 091 EL OG6	Yachting mahogany/bordeaux red	-LZ		
	9P1 419 091 EL 6H6	Yachting mahogany/espresso	-NE,BY		
(1)	9P1 419 091 EN	steering wheel Mahogany Yachting		1	PR:XHV,QR4, QR5,489
	9P1 419 091 EN A34	Yachting mahogany/black	-GF,GG,GQ,GR, GW,GY,AG,AJ, AQ,AZ,BT,BM, TD,99		
	9P1 419 091 EN OE5	Yachting mahogany/agate grey	-FG,FJ,FQ,FZ		
	9P1 419 091 EN 9J9	Yachting mahogany/luxor beige	-UG,UJ,UQ,UZ		
	9P1 419 091 EN OH7	Yachting mahogany/graphit blue	-HZ,BG,TG		
	9P1 419 091 EN OK6	Yachting mahogany/saddle brown	-SZ		
	9P1 419 091 EN OG6	Yachting mahogany/bordeaux red	-LZ		
	9P1 419 091 EN 6H6	Yachting mahogany/espresso	-NE,BY		
(1)	9P1 419 091 FD	steering wheel (leather)		1	PR:858,QR0, -489
	9P1 419 091 FD A34	GT Black	-GF,GG,GQ,GR, GW,GY,AG,AJ, AQ,AZ,BT,BM, TD,99		
	9P1 419 091 FD OE5	agate grey	-FG,FJ,FQ,FZ		
	9P1 419 091 FD 9J9	Luxor beige	-UG,UJ,UQ,UZ		
	9P1 419 091 FD OH7	Graphite Blue	-HZ,BG,TG		
	9P1 419 091 FD OK6	saddle brown	-SZ		
	9P1 419 091 FD OG6	Bordeaux red	-LZ		
	9P1 419 091 FD 6H6	Espresso	-NE,BY		
(1)	9P1 419 091 FF	steering wheel (leather)		1	PR:858,QR4, QR5,-489
	9P1 419 091 FF A34	GT Black	-GF,GG,GQ,GR, GW,GY,AG,AJ, AQ,AZ,BT,BM, TD,99		
	9P1 419 091 FF OE5	agate grey	-FG,FJ,FQ,FZ		
	9P1 419 091 FF 9J9	Luxor beige	-UG,UJ,UQ,UZ		
	9P1 419 091 FF OH7	Graphite Blue	-HZ,BG,TG		
	9P1 419 091 FF OK6	saddle brown	-SZ		
	9P1 419 091 FF OG6	Bordeaux red	-LZ		
	9P1 419 091 FF 6H6	Espresso	-NE,BY		
(1)	9P1 419 091 FH	steering wheel (leather)		1	PR:858,QR0, 489

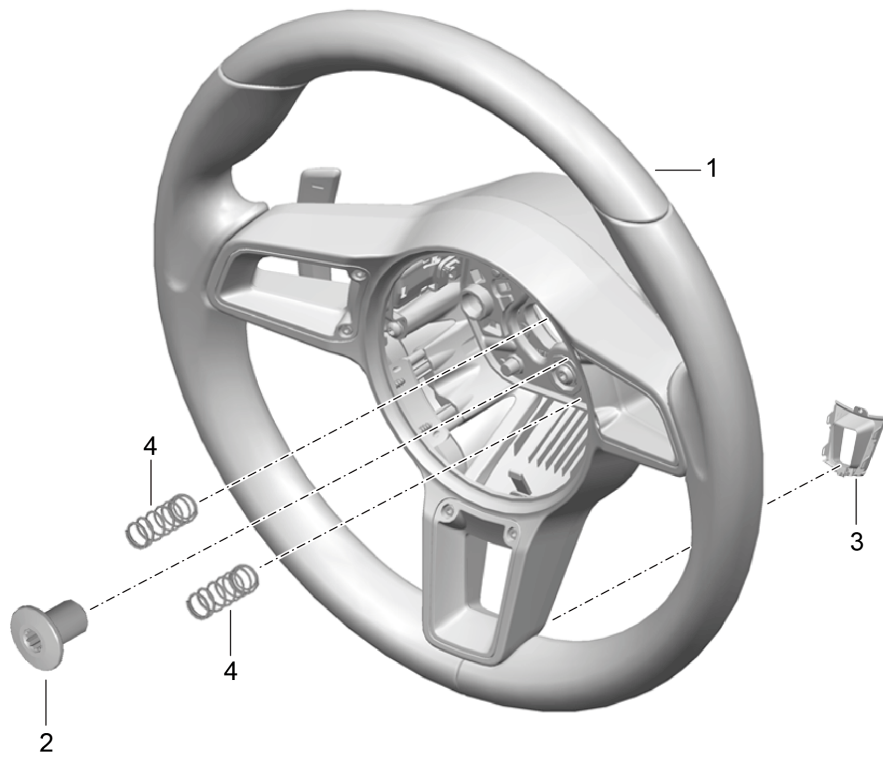
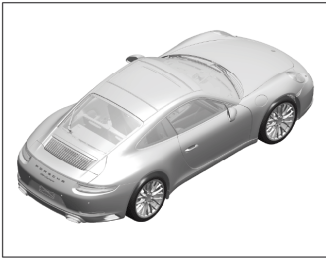
Model: 991-16

Model life 2017>>

Pos	Part Number	Description	Remark	Qty	Model
	9P1 419 091 FH A34	GT Black	-GF,GG,GQ,GR, GW,GY,AG,AJ, AQ,AZ,BT,BM, TD,99		
	9P1 419 091 FH OE5	agate grey	-FG,FJ,FQ,FZ		
	9P1 419 091 FH 9J9	Luxor beige	-UG,UJ,UQ,UZ		
	9P1 419 091 FH OH7	Graphite Blue	-HZ,BG,TG		
	9P1 419 091 FH OK6	saddle brown	-SZ		
	9P1 419 091 FH OG6	Bordeaux red	-LZ		
	9P1 419 091 FH 6H6	Espresso	-NE,BY		
(1)	9P1 419 091 FK	steering wheel (leather)		1	PR:858,QR4, QR5,489
	9P1 419 091 FK A34	GT Black	-GF,GG,GQ,GR, GW,GY,AG,AJ, AQ,AZ,BT,BM, TD,99		
	9P1 419 091 FK OE5	agate grey	-FG,FJ,FQ,FZ		
	9P1 419 091 FK 9J9	Luxor beige	-UG,UJ,UQ,UZ		
	9P1 419 091 FK OH7	Graphite Blue	-HZ,BG,TG		
	9P1 419 091 FK OK6	saddle brown	-SZ		
	9P1 419 091 FK OG6	Bordeaux red	-LZ		
	9P1 419 091 FK 6H6	Espresso	-NE,BY		
(1)	9P1 419 091 FE	steering wheel Alcantara		1	PR:XLL,QR0, -489
	9P1 419 091 FE 2W0	GT Black			
(1)	9P1 419 091 FG	steering wheel Alcantara		1	PR:XLL,QR4, QR5,-489
	9P1 419 091 FG 2W0	GT Black			
(1)	9P1 419 091 FJ	steering wheel Alcantara		1	PR:XLL,QR0, 489
	9P1 419 091 FJ 2W0	GT Black			
(1)	9P1 419 091 FL	steering wheel Alcantara		1	PR:XLL,QR4, QR5,489
	9P1 419 091 FL 2W0	GT Black			
2	N 910 207 01	Screw with int. serrations M 18 X 1,5 X 26		1	
(2)	N 907 991 02	D >> - 24.01.2017 Pan head bolt w/ multi-point drive, self-locking M18 X 1,5 X 18		1	
		D - 25.01.2017>>			
3	95B 951 527	Trim heater steering wheel		1	PR:489
	95B 951 527 6N3	Black			
4	9P1 419 357	Spring in steering wheel No longer use the part here		2	

Model: 991-16

Model life 2017>>



Model: 991-16 Model life 2017>>

Pos	Part Number	Description	Remark	Qty	Model
1	9P1 419 091 DS	Steering wheels Manual gearbox steering wheel (leather)		1	PR:487 PR:855,QR0, -489
	9P1 419 091 DS A34	Black	-GF,GG,GQ,GR, GW,GY,AG,AJ, AQ,AZ,BT,BM, TD,99		
	9P1 419 091 DS OE5	agate grey	-FG,FJ,FQ,FZ		
	9P1 419 091 DS 9J9	Luxor beige	-UG,UJ,UQ,UZ		
	9P1 419 091 DS OH7	Graphite Blue	-HZ,BG,TG		
	9P1 419 091 DS OK6	saddle brown	-SZ		
	9P1 419 091 DS OG6	Bordeaux red	-LZ		
	9P1 419 091 DS 6H6	Espresso	-NE,BY		
(1)	9P1 419 091 DT	steering wheel (leather)		1	PR:855,QR4, QR5,-489
	9P1 419 091 DT A34	Black	-GF,GG,GQ,GR, GW,GY,AG,AJ, AQ,AZ,BT,BM, TD,99		
	9P1 419 091 DT OE5	agate grey	-FG,FJ,FQ,FZ		
	9P1 419 091 DT 9J9	Luxor beige	-UG,UJ,UQ,UZ		
	9P1 419 091 DT OH7	Graphite Blue	-HZ,BG,TG		
	9P1 419 091 DT OK6	saddle brown	-SZ		
	9P1 419 091 DT OG6	Bordeaux red	-LZ		
	9P1 419 091 DT 6H6	Espresso	-NE,BY		
(1)	9P1 419 091 EA	steering wheel (leather)		1	PR:855,QR0, 489
	9P1 419 091 EA A34	Black	-GF,GG,GQ,GR, GW,GY,AG,AJ, AQ,AZ,BT,BM, TD,99		
	9P1 419 091 EA OE5	agate grey	-FG,FJ,FQ,FZ		
	9P1 419 091 EA 9J9	Luxor beige	-UG,UJ,UQ,UZ		
	9P1 419 091 EA OH7	Graphite Blue	-HZ,BG,TG		
	9P1 419 091 EA OK6	saddle brown	-SZ		
	9P1 419 091 EA OG6	Bordeaux red	-LZ		
	9P1 419 091 EA 6H6	Espresso	-NE,BY		
(1)	9P1 419 091 EB	steering wheel (leather)		1	PR:855,QR4, QR5,489
	9P1 419 091 EB A34	Black	-GF,GG,GQ,GR, GW,GY,AG,AJ, AQ,AZ,BT,BM, TD,99		
	9P1 419 091 EB OE5	agate grey	-FG,FJ,FQ,FZ		
	9P1 419 091 EB 9J9	Luxor beige	-UG,UJ,UQ,UZ		
	9P1 419 091 EB OH7	Graphite Blue	-HZ,BG,TG		
	9P1 419 091 EB OK6	saddle brown	-SZ		
	9P1 419 091 EB OG6	Bordeaux red	-LZ		
	9P1 419 091 EB 6H6	Espresso	-NE,BY		
(1)	9P1 419 091 EC	steering wheel Carbon		1	PR:XHW,QR0, 489
	9P1 419 091 EC A34	Black	-GF,GG,GQ,GR, GW,GY,AG,AJ, AQ,AZ,BT,BM, TD,99		
	9P1 419 091 EC OE5	agate grey	-FG,FJ,FQ,FZ		
	9P1 419 091 EC 9J9	Luxor beige	-UG,UJ,UQ,UZ		
	9P1 419 091 EC OH7	Graphite Blue	-HZ,BG,TG		
	9P1 419 091 EC OK6	saddle brown	-SZ		
	9P1 419 091 EC OG6	Bordeaux red	-LZ		
	9P1 419 091 EC 6H6	Espresso	-NE,BY		
(1)	9P1 419 091 ED	steering wheel		1	PR:XHW,QR4,

Model: 991-16

Model life 2017>>

Pos	Part Number	Description	Remark	Qty	Model
	9P1 419 091 ED A34	Carbon Black	-GF,GG,GQ,GR, GW,GY,AG,AJ, AQ,AZ,BT,BM, TD,99		QR5,489
	9P1 419 091 ED OE5	agate grey	-FG,FJ,FQ,FZ		
	9P1 419 091 ED 9J9	Luxor beige	-UG,UJ,UQ,UZ		
	9P1 419 091 ED OH7	Graphite Blue	-HZ,BG,TG		
	9P1 419 091 ED OK6	saddle brown	-SZ		
	9P1 419 091 ED OG6	Bordeaux red	-LZ		
	9P1 419 091 ED 6H6	Espresso	-NE,BY		
(1)	9P1 419 091 EE	steering wheel Mahogany Yachting		1	PR: XHV, QR0, 489
	9P1 419 091 EE A34	Yachting mahogany/black	-GF,GG,GQ,GR, GW,GY,AG,AJ, AQ,AZ,BT,BM, TD,99		
	9P1 419 091 EE OE5	Yachting mahogany/agate grey	-FG,FJ,FQ,FZ		
	9P1 419 091 EE 9J9	Yachting mahogany/luxor beige	-UG,UJ,UQ,UZ		
	9P1 419 091 EE OH7	Yachting mahogany/graphit blue	-HZ,BG,TG		
	9P1 419 091 EE OK6	Yachting mahogany/saddle brown	-SZ		
	9P1 419 091 EE OG6	Yachting mahogany/bordeaux red	-LZ		
	9P1 419 091 EE 6H6	Yachting mahogany/espresso	-NE,BY		
(1)	9P1 419 091 EF	steering wheel Mahogany Yachting		1	PR: XHV, QR4, QR5,489
	9P1 419 091 EF A34	Yachting mahogany/black	-GF,GG,GQ,GR, GW,GY,AG,AJ, AQ,AZ,BT,BM, TD,99		
	9P1 419 091 EF OE5	Yachting mahogany/agate grey	-FG,FJ,FQ,FZ		
	9P1 419 091 EF 9J9	Yachting mahogany/luxor beige	-UG,UJ,UQ,UZ		
	9P1 419 091 EF OH7	Yachting mahogany/graphit blue	-HZ,BG,TG		
	9P1 419 091 EF OK6	Yachting mahogany/saddle brown	-SZ		
	9P1 419 091 EF OG6	Yachting mahogany/bordeaux red	-LZ		
	9P1 419 091 EF 6H6	Yachting mahogany/espresso	-NE,BY		
(1)	9P1 419 091 EP	steering wheel (leather)		1	PR: 858, QR0, -489
	9P1 419 091 EP A34	GT Black	-GF,GG,GQ,GR, GW,GY,AG,AJ, AQ,AZ,BT,BM, TD,99		
	9P1 419 091 EP OE5	agate grey	-FG,FJ,FQ,FZ		
	9P1 419 091 EP 9J9	Luxor beige	-UG,UJ,UQ,UZ		
	9P1 419 091 EP OH7	Graphite Blue	-HZ,BG,TG		
	9P1 419 091 EP OK6	saddle brown	-SZ		
	9P1 419 091 EP OG6	Bordeaux red	-LZ		
	9P1 419 091 EP 6H6	Espresso	-NE,BY		
(1)	9P1 419 091 ER	steering wheel (leather)		1	PR: 858, QR4, QR5,-489
	9P1 419 091 ER A34	GT Black	-GF,GG,GQ,GR, GW,GY,AG,AJ, AQ,AZ,BT,BM, TD,99		
	9P1 419 091 ER OE5	agate grey	-FG,FJ,FQ,FZ		
	9P1 419 091 ER 9J9	Luxor beige	-UG,UJ,UQ,UZ		
	9P1 419 091 ER OH7	Graphite Blue	-HZ,BG,TG		
	9P1 419 091 ER OK6	saddle brown	-SZ		
	9P1 419 091 ER OG6	Bordeaux red	-LZ		
	9P1 419 091 ER 6H6	Espresso	-NE,BY		
(1)	9P1 419 091 ET	steering wheel (leather)		1	PR: 858, QR0, 489

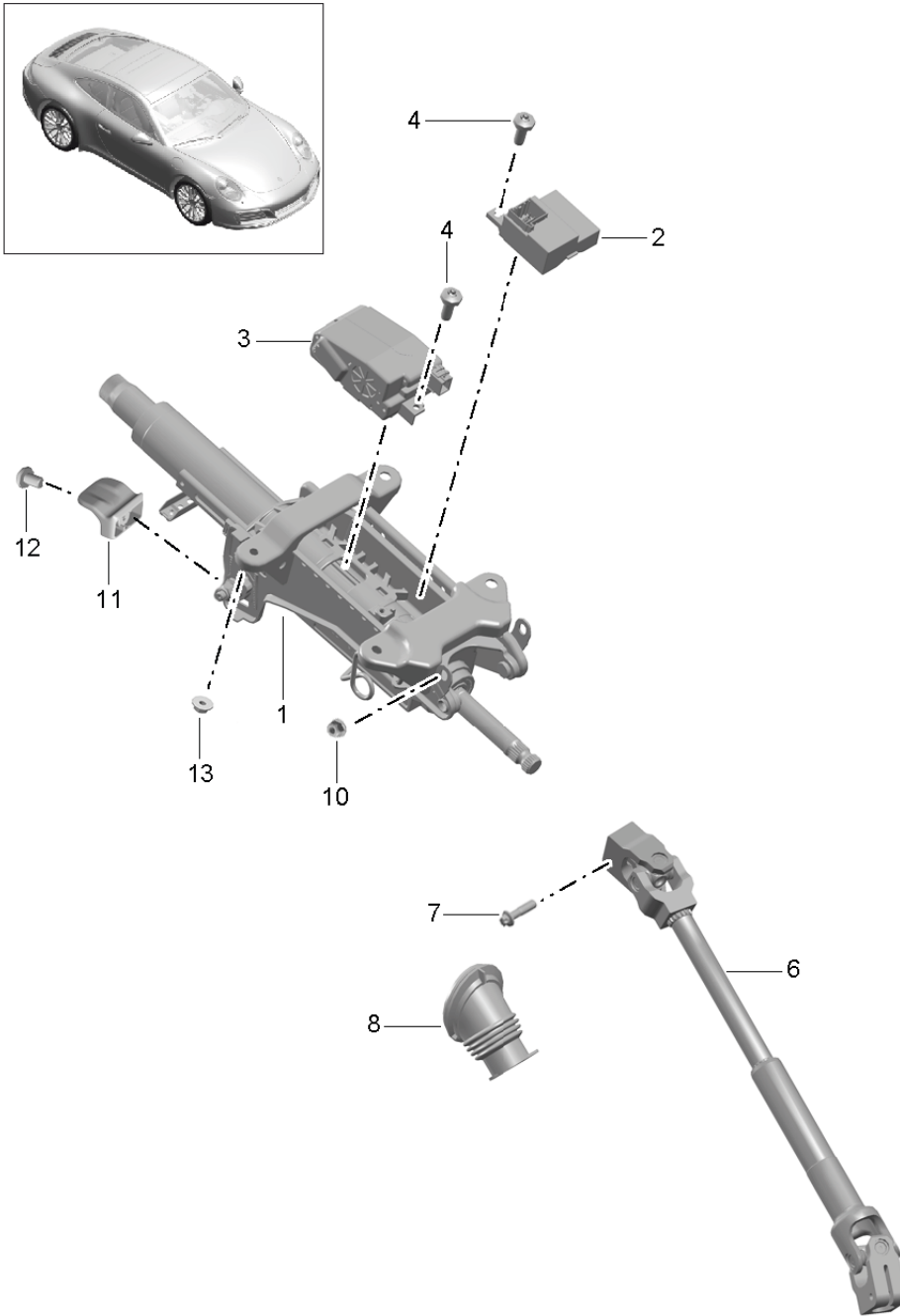
Model: 991-16

Model life 2017>>

Pos	Part Number	Description	Remark	Qty	Model
	9P1 419 091 ET A34	GT Black	-GF,GG,GQ,GR, GW,GY,AG,AJ, AQ,AZ,BT,BM, TD,99		
	9P1 419 091 ET OE5	agate grey	-FG,FJ,FQ,FZ		
	9P1 419 091 ET 9J9	Luxor beige	-UG,UJ,UQ,UZ		
	9P1 419 091 ET OH7	Graphite Blue	-HZ,BG,TG		
	9P1 419 091 ET OK6	saddle brown	-SZ		
	9P1 419 091 ET OG6	Bordeaux red	-LZ		
	9P1 419 091 ET 6H6	Espresso	-NE,BY		
(1)	9P1 419 091 FB	steering wheel (leather)		1	PR:858,QR4, QR5,489
	9P1 419 091 FB A34	GT Black	-GF,GG,GQ,GR, GW,GY,AG,AJ, AQ,AZ,BT,BM, TD,99		
	9P1 419 091 FB OE5	agate grey	-FG,FJ,FQ,FZ		
	9P1 419 091 FB 9J9	Luxor beige	-UG,UJ,UQ,UZ		
	9P1 419 091 FB OH7	Graphite Blue	-HZ,BG,TG		
	9P1 419 091 FB OK6	saddle brown	-SZ		
	9P1 419 091 FB OG6	Bordeaux red	-LZ		
	9P1 419 091 FB 6H6	Espresso	-NE,BY		
(1)	9P1 419 091 EQ	steering wheel Alcantara		1	PR:XLL,QR0, -489
	9P1 419 091 EQ 2W0	GT Black			
(1)	9P1 419 091 ES	steering wheel Alcantara		1	PR:XLL,QR4, QR5,-489
	9P1 419 091 ES 2W0	GT Black			
(1)	9P1 419 091 FA	steering wheel Alcantara		1	PR:XLL,QR0, 489
	9P1 419 091 FA 2W0	GT Black			
(1)	9P1 419 091 FC	steering wheel Alcantara		1	PR:XLL,QR4, QR5,489
	9P1 419 091 FC 2W0	GT Black			
2	N 910 207 01	Screw with int. serrations M 18 X 1,5 X 26		1	
(2)	N 907 991 02	D >> - 24.01.2017 Pan head bolt w/ multi-point drive, self-locking M18 X 1,5 X 18 D - 25.01.2017>>		1	
3	95B 951 527	Trim heater steering wheel		1	PR:489
4	95B 951 527 6N3 9P1 419 357	Black Spring in steering wheel No longer use the part here		2	

Model: 991-16

Model life 2017>>



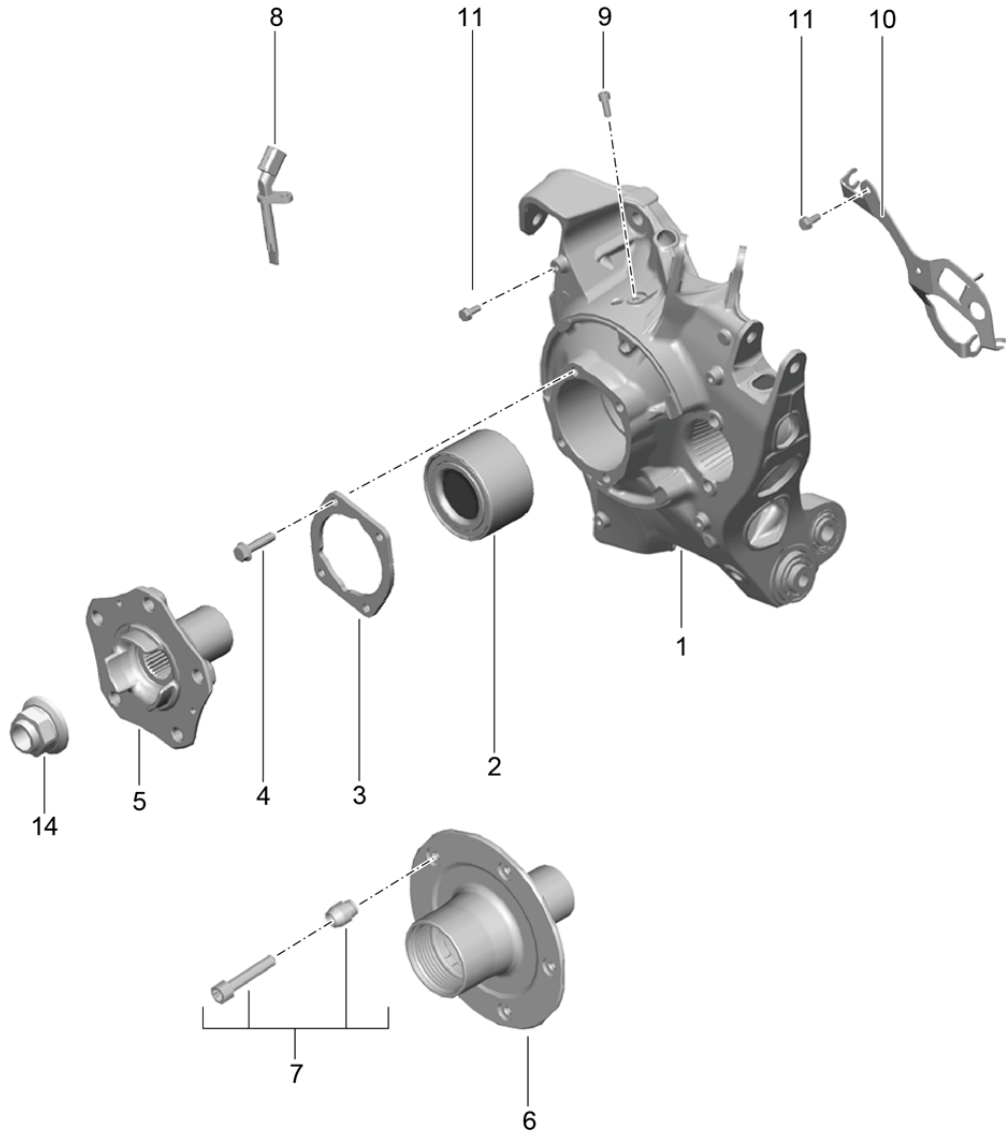
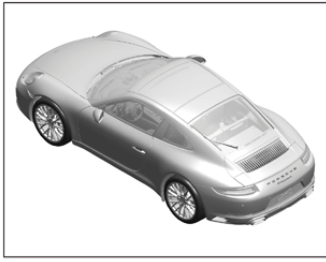


Model: 991-16 Model life 2017>>

Pos	Part Number	Description	Remark	Qty	Model
1	991 347 015 24	Steering column Intermediate steering shaft		1	PR:647
(1)	991 347 015 33	Steering column (complete)		1	PR:648
(1)	991 347 015 34	Steering column (complete) D >> - 10.12.2016		1	PR:648
(1)	991 347 015 06	Steering column (complete) D - 12.12.2016>>		1	PR:655
(1)	991 347 015 15	Steering column (complete)		1	PR:656
(1)	991 347 015 16	Steering column (complete) D >> - 10.12.2016 D - 12.12.2016>>		1	PR:656
2	4H0 907 705 K	Control unit for electrically adjustable steering column		1	PR:648,656
3	7PP 905 852 C	Control unit		1	PR:655,656
4	8E0 035 413	Hexagon socket head bolt M 5 X 10		2	PR:648,656
6	991 347 023 03	Intermediate steering shaft		1	PR:098
(6)	991 347 024 03	Intermediate steering shaft		1	PR:099
7	WHT 004 955 A	Torx socket head bolt M 8 X 30		2	
8	991 347 037 02	Bellows		1	
10	999 084 630 01	Hexagon nut M 8		1	
11	970 347 175 00	handle		1	PR:647,655
	970 347 175 00 1E0	Black			
12	N 104 857 03	Hexagon socket flat head bolt M 5 X 12		1	
13	N 907 988 05	Hexagon collar nut M 8		4	

Model: 991-16

Model life 2017>>



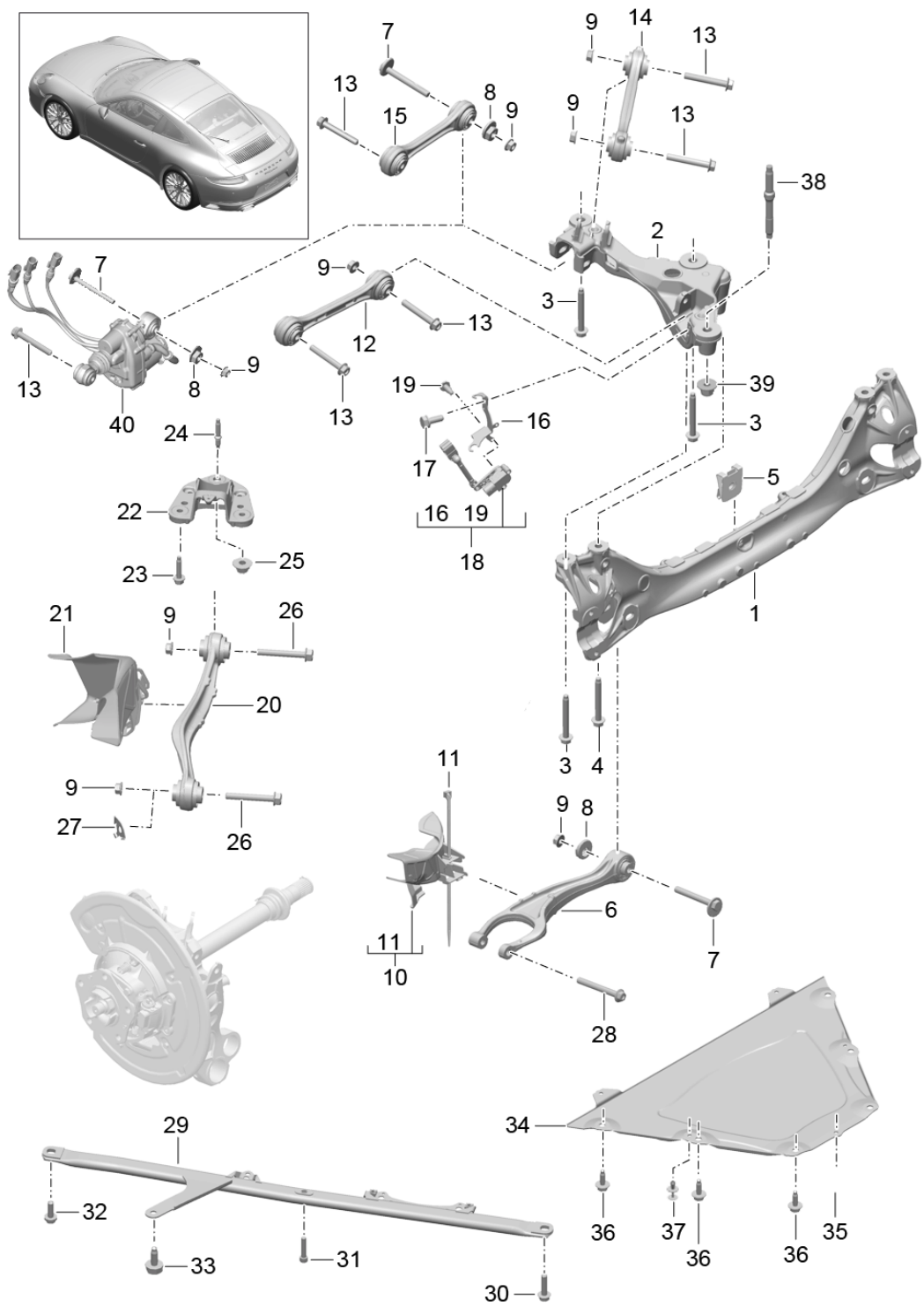
Model: 991-16

Model life 2017>>

Pos	Part Number	Description	Remark	Qty	Model
1	991 331 111 20	Rear axle Wheel carrier Wheel hub Wheel carrier	left	1	PR:-450, -470,-011
(1)	991 331 112 20	Wheel carrier	right	1	PR:-450, -470,-011
1	991 331 111 33	Wheel carrier	left	1	PR:-450,470, -011
(1)	991 331 112 33	Wheel carrier	right	1	PR:-450,470, -011
1	991 331 111 33	Wheel carrier	left	1	PR:450,470, -011
(1)	991 331 112 33	Wheel carrier	right	1	PR:450,470, -011
(1)	991 331 111 33	Wheel carrier	left	1	PR:011
(1)	991 331 112 33	Wheel carrier	right	1	PR:011
2	298 407 621	angular ball bearing Discontinued part		2	
2	971 407 621	angular ball bearing		2	
3	996 331 661 01	Cover		2	
4	999 217 042 03	Hexagon bolt M 8 X 35		8	
5	991 331 605 03	Wheel hub		2	PR:-478
6	991 331 607 00	Wheel hub		2	PR:478
7	991 341 901 00	1 set attachment parts		2	PR:478
8	991 606 407 01	speed sensor		2	
9	900 067 117 04	Socket head bolt M6 X 16		2	
10	991 609 401 01	bracket for speed sensor	left	1	
(10)	991 609 402 01	bracket for speed sensor	right	1	
11	999 217 116 01	Hexagon bolt M 6 X 16		4	
14	WHT 007 021	hex. nut, self-locking with washer M 22 X 1,5		2	

Model: 991-16

Model life 2017>>



Model: 991-16 Model life 2017>>

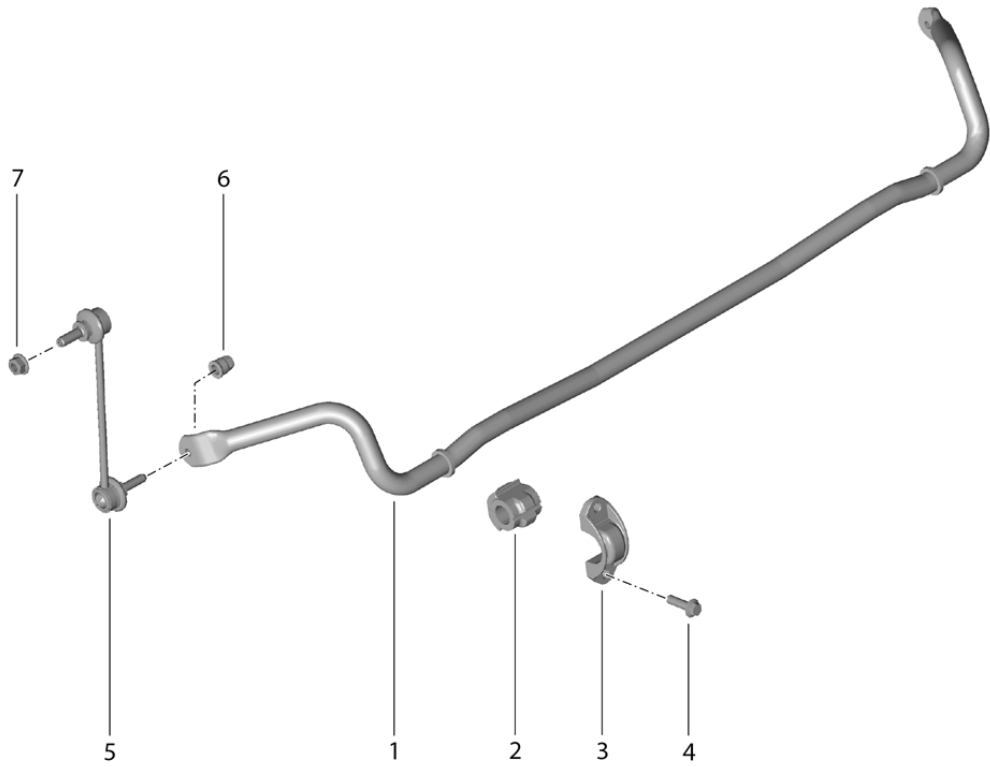
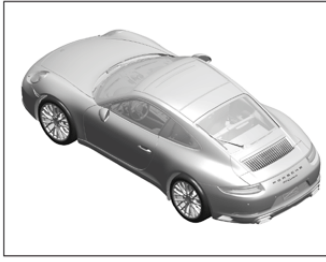
Pos	Part Number	Description	Remark	Qty	Model
		Rear axle Side part Carrier Guide			
1	9P1 505 105 B	Cross member		1	
2	991 331 151 11	Side part	left	1	
(2)	991 331 152 11	Side part	right	1	
3	999 072 875 01	Hexagon bolt M12 X 1,5 X 95		6	
4	999 072 931 01	Hexagon bolt M12 X 1,5 X 110		2	
5	999 507 795 09	panel nut		1	
6	991 331 053 21	Wishbone	lower	2	
7	970 341 217 00	Eccentric bolt M 12 X 1,5 X 97		4	
8	970 331 219 00	eccentric washer		4	
9	999 084 445 01	Locknut M 12 X 1,5		14	
10	991 331 483 03	Spoiler	left	1	PR:470,-450
10	991 331 483 04	Spoiler	left	1	PR:470,-450,-011
(10)	991 331 483 04	Spoiler	left	1	PR:011,-450
(10)	991 331 484 03	Spoiler	right	1	PR:470,-450
(10)	991 331 484 04	Spoiler	right	1	PR:011,-450
11	9A7 008 379 00	Cable ties		2	
12	991 331 047 03	Wishbone	upper	2	
13	999 072 868 01	Hexagon bolt M 12 X 1,5 X 80		10	
14	991 331 061 04	Guide	upper	2	
15	991 331 045 20	Track rod		2	PR:-470
16	991 609 417 00	Bracket	left	1	
(16)	991 609 418 00	Bracket	right	1	
17	999 217 116 01	Hexagon bolt		2	
18	991 333 031 00	Level sensor	left	1	
(18)	991 333 032 00	Level sensor	right	1	
19	N 104 857 03	Hexagon socket flat head bolt		4	
20	991 331 043 20	Guide	left lower	1	
(20)	991 331 044 20	Guide	right lower	1	
21	9P1 615 457 E	Spoiler	left	1	PR:-450,-470
(21)	9P1 615 458 E	Spoiler	right	1	PR:-450,-470
(21)	9P1 615 457 F	Spoiler	left	1	PR:450
(21)	9P1 615 458 F	Spoiler	right	1	PR:450
22	991 331 329 02	Support Guide		2	
(22)	991 331 329 03	D Support Guide	>> - 20.07.2017	2	
23	999 072 841 01	D - 21.07.2017>> Bolt with washer AM 10 X 50		4	
24	999 061 124 01	Threaded pin M 10 X 1,5		2	
25	999 076 053 01	Hexagon nut M 10		2	
25	PAF 008 868	Hexagon nut M 10		2	
26	999 072 920 01	Hexagon bolt AM 12 X 1,5 X 90		4	
27	991 331 221 01	Nut lock M 12 X 1,5		2	PR:450

Model: 991-16 Model life 2017>>

Pos	Part Number	Description	Remark	Qty	Model
28	999 072 930 01	Hexagon bolt M 12 X 1,5 X 105		2	
29	991 331 081 07	Brace	left	1	
(29)	991 331 082 07	Brace	right	1	
(29)	991 331 083 07	Brace	left	1	
(29)	991 331 084 07	Brace	right	1	
30	999 072 869 01	Hexagon bolt AM 12 X 1,5 X 45		2	
31	999 510 046 01	Socket head bolt M 10 X 45		2	
32	999 073 443 01	Bolt with washer M 12 X 1,5 X 40		2	
33	999 075 095 01	Bolt with washer M 8 X 25		2	
34	991 331 070 03	Bracket		1	
35	999 073 505 01	panel screw ST 4,8 X 16		2	
36	N 019 530 8	Hex collared bolt M 8 X 25		6	
37	N 107 009 01	Spreader rivet 4,5 X 11,5		2	
38	999 061 127 01	Threaded pin M 12 X 1,5		2	
39	N 909 167 01	Hexagon collar nut self-locking M 12 X 1,5		2	
40	991 331 057 25	Track rod Adjusting motor D >> - 25.01.2017	left	1	PR:009,470
(40)	991 331 057 26	Track rod Adjusting motor D - 26.01.2017>>	left	1	PR:009,470
(40)	991 331 058 25	Track rod Adjusting motor D >> - 25.01.2017	right	1	PR:009,470
(40)	991 331 058 26	Track rod Adjusting motor D - 26.01.2017>>	right	1	PR:009,470

Model: 991-16

Model life 2017>>



Model: 991-16

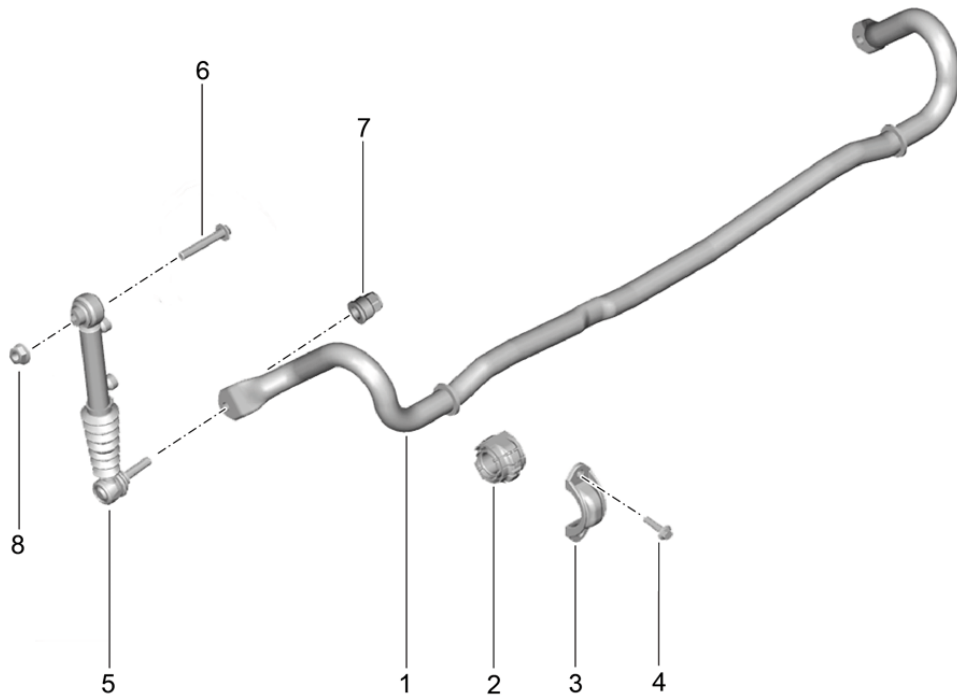
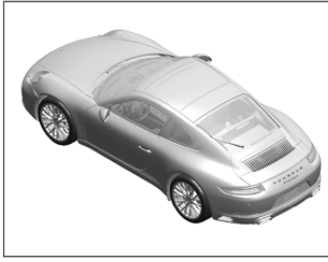
Model life 2017&gt;&gt;

Pos	Part Number	Description	Remark	Qty	Model
1	991 333 705 19	Anti-roll bar Anti-roll bar Identification: >> >> orange		1	PR:-031,-352 PR:008
(1)	991 333 705 19	Anti-roll bar Identification: >> >> orange		1	PR:009,475
(1)	991 333 705 15	Anti-roll bar Identification: >> >> Deer Brown		1	PR:009,030
(1)	991 333 705 18	Anti-roll bar Identification: >> >> Pastel blue		1	PR:008,475, 477,-220, -221
(1)	991 333 705 19	Anti-roll bar Identification: >> >> orange		1	PR:008,475, 220,221
(1)	991 333 705 19	Anti-roll bar Identification: >> >> orange		1	PR:009,-030
(1)	991 333 705 15	Anti-roll bar Identification: >> >> Deer Brown		1	PR:009,030
(1)	991 333 705 15	Anti-roll bar Identification: >> >> Deer Brown		1	PR:011
2	991 333 794 11	anti-roll bar bearing bracket		2	
3	991 333 779 00	Clamp		2	
4	999 072 065 02	Hexagon bolt AM 10 X 40		4	
5	991 333 071 02	Coupling rod		2	
6	999 084 123 09	Hexagon nut M 10		2	
7	999 084 445 01	Locknut M 12 X 1,5		2	



Model: 991-16

Model life 2017>>



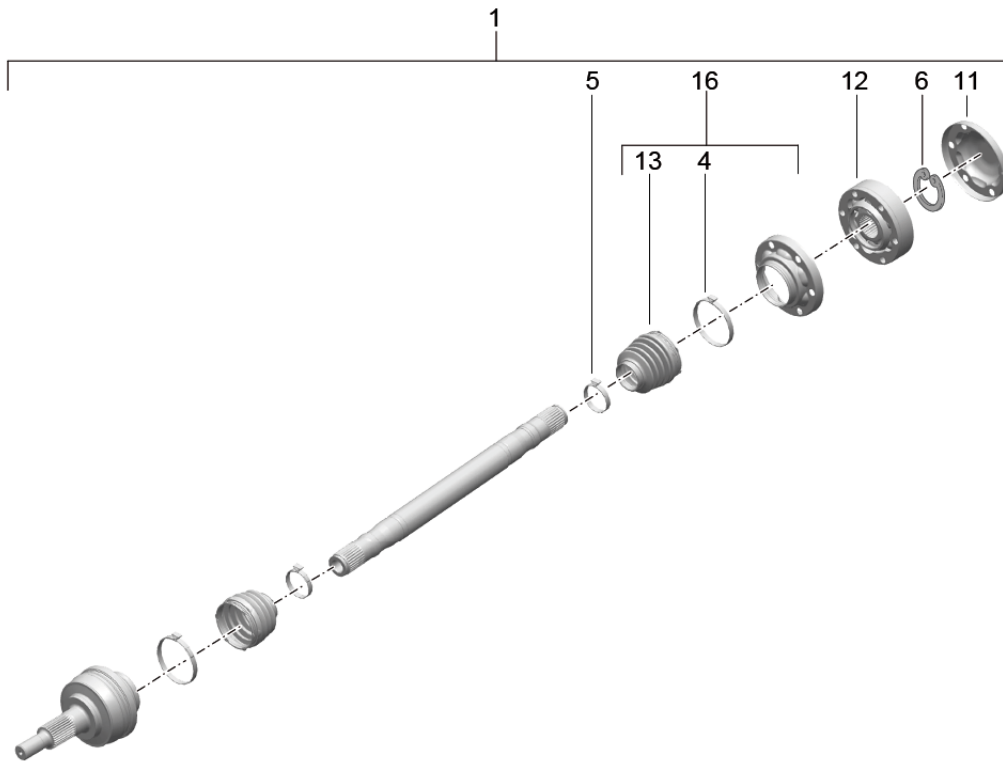
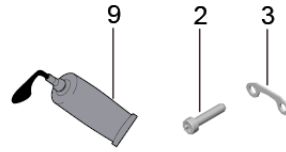
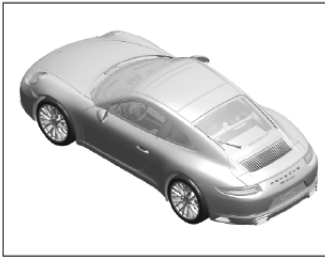
Model: 991-16

Model life 2017>>

Pos	Part Number	Description	Remark	Qty	Model
		Anti-roll bar PDCC			PR:031,352
1	991 333 703 12	Anti-roll bar		1	
2	991 333 797 02	anti-roll bar bearing bracket		2	
3	991 333 777 01	Clamp		2	
4	999 072 065 02	Hexagon bolt AM 10 X 40		4	
(5)	991 359 085 04	Damper		2	
6	999 073 530 01	Socket head bolt M 12 X 1,5 X 72		2	
7	999 084 132 01	Hexagon nut M 12		2	
8	999 084 445 01	Locknut M 12 X 1,5		2	

Model: 991-16

Model life 2017>>



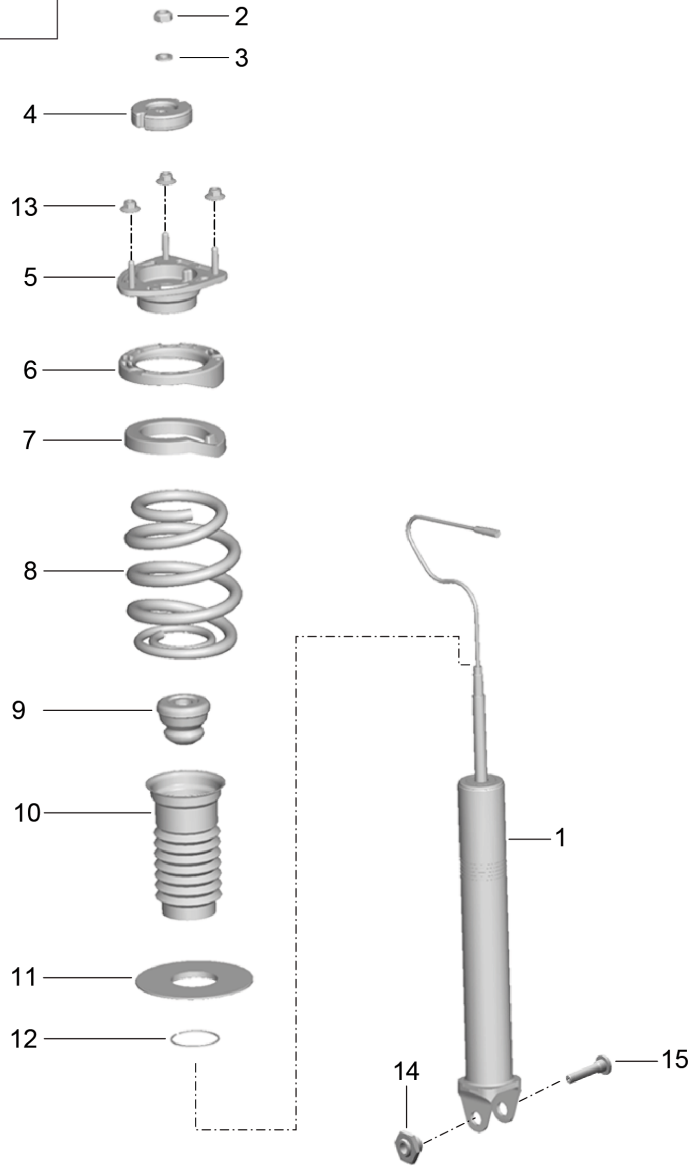
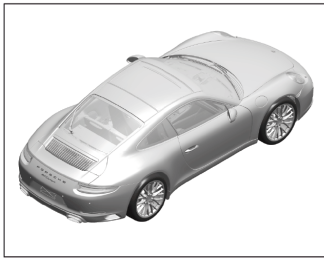
Model: 991-16

Model life 2017>>

Pos	Part Number	Description	Remark	Qty	Model
1	991 332 024 20	Drive shaft Wheel hub		2	PR:487
1	991 332 024 22	Drive shaft D - 03.02.2017>>	>> - 02.02.2017	2	PR:487
(1)	991 332 024 60	Drive shaft D	>> - 02.02.2017	2	PR:250
(1)	991 332 024 62	Drive shaft D - 03.02.2017>>		2	PR:250
2	999 073 517 01	Socket head bolt M 10 X 1 X 46,5		12	
3	9P1 501 375	Spacer		6	
4	N 911 884 01	clamp		2	
5	N 107 534 01	clamp		4	PR:487
(5)	9P1 501 159	hose clip		4	PR:250
6	900 041 055 01	Securing ring		4	PR:487
(6)	900 041 014 00	Securing ring		2	PR:250
11	997 332 267 00	End cap		2	
12	991 332 030 10	Joint		2	PR:487
(12)	991 332 030 00	Joint		2	PR:250
13	9A7 501 153 00	Dust bellows		2	PR:487
(13)	9P1 501 151	Dust bellows		2	PR:250
16	9P1 501 135 A	Dust bellows		2	PR:487
			with:		
(16)	9P1 501 135	Bracket Dust bellows		2	PR:250
			with:		
		Bracket			

Model: 991-16

Model life 2017>>



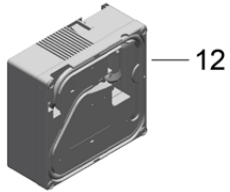
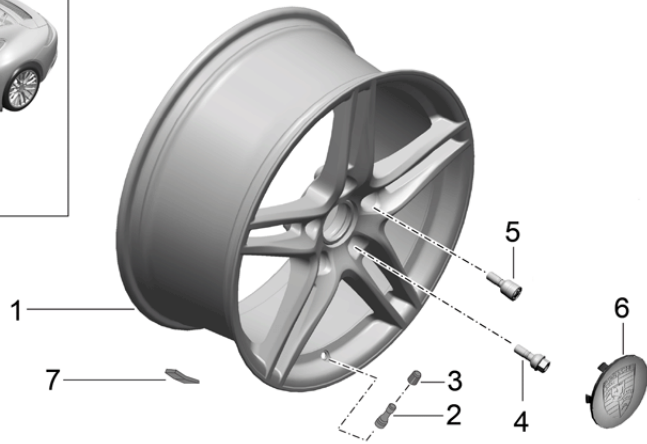
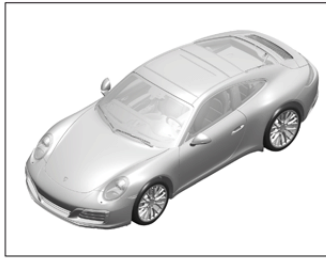
Model: 991-16

Model life 2017>>

Pos	Part Number	Description	Remark	Qty	Model
1	991 333 053 21	Shock absorbers Coil spring Shock absorbers		2	PR:352,475, 477
(1)	991 333 053 19	Shock absorbers		2	PR:030,031
2	999 084 050 02	Hexagon nut M12X1		2	
3	999 025 271 02	Washer		2	
4	991 333 691 00	Insert		2	
(4)	991 333 691 01	Insert		2	
5	991 333 161 01	Shock absorber bearing		2	
6	991 333 511 00	Insert		2	
7	991 333 504 00	shelf	upper	2	
8	991 333 531 05	Coil spring Set		1	PR:352,475, 477
		Colour designation:	yellow green		
(8)	991 333 531 05 504	1 pair of springs			
	991 333 531 15	Coil spring		1	PR:030,031
		Colour designation:			
	991 333 531 15 504	1 pair of springs			
9	991 333 105 02	helper spring		2	PR:352,475, 477
(9)	991 333 105 01	helper spring		2	PR:030,031
10	9P1 512 137	Bellows		2	PR:352,475, 477
10	991 333 107 00	Bellows		2	PR:352,475, 477
(10)	991 333 107 01	Bellows		2	PR:030,031
11	997 333 513 00	spring disc	lower	2	PR:352,475, 477
(11)	991 333 413 00	spring disc	lower	2	PR:030,031
12	999 152 163 00	snap ring		2	
13	999 084 447 01	Hexagon nut M 8		6	
13	PAF 003 923	Hexagon nut M 8		6	
14	991 331 231 00	Hexagon nut M 12 X 1,5		2	
15	991 331 230 01	Socket head bolt M 12 X 1,5		2	

Model: 991-16

Model life 2017>>



Model: 991-16 Model life 2017>>

Pos	Part Number	Description	Remark	Qty	Model
-		Wheels part number Disc wheel			
		without:			
		Hub cap and Wheel bolts			
1	991 362 510 00	Alloy wheel 8,5JX19 ET 50	front	2	PR:432
(1)	991 362 510 00 8Z8	Brilliant Silver			PR:340
	991 362 710 00	Alloy wheel 8,5JX20 ET 49	front	2	PR:433,340, XDK,XDH,XDG, XDL
	991 362 710 00 88Z	Brilliant chrome finish			PR:340
	991 362 710 00 JE1	Matt black			PR:XDK
	991 362 710 00 OB5	Platinum satin-matt			PR:XDH
	991 362 710 00 041	Black			PR:XDG
	991 362 710 00 C9X	Jet Black Metallic			PR:XDL
(1)	991 362 710 00	Alloy wheel 8,5JX20 ET 49	front	2	PR:433,340, 037
	991 362 710 00 OC6	Titanium			PR:037,340
(1)	991 362 710 00	Alloy wheel 8,5JX20 ET 49	front	2	PR:433,346, 011
	991 362 710 00 88Z	Brilliant chrome finish			
(1)	991 362 711 00	Alloy wheel 8,5JX20 ET 49	front	2	PR:439
	991 362 711 00 OC6	Titanium			PR:340
(1)	991 362 711 02	Alloy wheel 8,5JX20 ET 49	front	2	PR:427
	991 362 711 02 041	Black			PR:XDG
	991 362 711 02 OC6	Titanium			PR:340
(1)	991 362 712 00	Alloy wheel 8,5JX20 ET 49	front	2	PR:460
	991 362 712 00 OB5	Platinum satin-matt			PR:340
(1)	991 362 722 00	Alloy wheel 8,5JX20 ET 49	front	2	PR:XRD
	991 362 722 00 OU7	Platinum Silver Metallic			PR:340
	991 362 722 00 041	Black			PR:XDG
	991 362 722 00 OB5	Platinum satin-matt			PR:XDH
	991 362 722 00 C9X	Jet Black Metallic			PR:XDL
(1)	991 362 560 00	Alloy wheel 11,5JX19 ET 76	rear	2	PR:432
	991 362 560 00 8Z8	Brilliant Silver			PR:340
(1)	991 362 560 01	Alloy wheel 11,5JX19 ET 56	rear	2	PR:432
	991 362 560 01 8Z8	Brilliant Silver			PR:340
(1)	991 362 760 00	Alloy wheel 11,5JX20 ET 76	rear	2	PR:433
	991 362 760 00 88Z	Brilliant chrome finish			PR:340
	991 362 760 00 JE1	Matt black			PR:XDK
	991 362 760 00 OB5	Platinum satin-matt			PR:XDH
	991 362 760 00 041	Black			PR:XDG
	991 362 760 00 C9X	Jet Black Metallic			PR:XDL



Model: 991-16 Model life 2017>>

Pos	Part Number	Description	Remark	Qty	Model
(1)	991 362 760 00	Alloy wheel 11,5JX20 ET 76	rear	2	PR:433,340, 037
	991 362 760 00 OC6	Titanium			PR:037,340
(1)	991 362 760 01	Alloy wheel 11,5JX20 ET 56	rear	2	PR:433
	991 362 760 01 88Z	Brilliant chrome finish			PR:340
	991 362 760 01 JE1	Matt black			PR:XDK
	991 362 760 01 OB5	Platinum satin-matt			PR:XDH
	991 362 760 01 041	Black			PR:XDG
	991 362 760 01 C9X	Jet Black Metallic			PR:XDL
(1)	991 362 760 01	Alloy wheel 11,5JX20 ET 56	rear	2	PR:433,346, 011
	991 362 760 01 88Z	Brilliant chrome finish			PR:346
(1)	991 362 761 00	Alloy wheel 11,5JX20 ET 76	rear	2	PR:439
	991 362 761 00 OC6	Titanium			PR:340
(1)	991 362 761 01	Alloy wheel 11,5JX20 ET 56	rear	2	PR:439
	991 362 761 01 OC6	Titanium			PR:340
(1)	991 362 761 04	Alloy wheel 11,5JX20 ET 76	rear	2	PR:427
	991 362 761 04 041	Black			PR:XDG
	991 362 761 04 OC6	Titanium			PR:340
(1)	991 362 761 05	Alloy wheel 11,5JX20 ET 56	rear	2	PR:427
	991 362 761 05 041	Black			PR:XDG
	991 362 761 05 OC6	Titanium			PR:340
(1)	991 362 760 04	Alloy wheel 11,5JX20 ET 76	rear	2	PR:460
	991 362 760 04 OB5	Platinum satin-matt			PR:340
(1)	991 362 760 05	Alloy wheel 11,5JX20 ET 56	rear	2	PR:460
	991 362 760 05 OB5	Platinum satin-matt			PR:340
(1)	991 362 772 00	Alloy wheel 11,5JX20 ET 76	rear	2	PR:XRD
	991 362 772 00 OU7	Platinum Silver Metallic			PR:340
	991 362 772 00 041	Black			PR:XDG
	991 362 772 00 OB5	Platinum satin-matt			PR:XDH
	991 362 772 00 C9X	Jet Black Metallic			PR:XDL
(1)	991 362 772 01	Alloy wheel 11,5JX20 ET 56	rear	2	PR:XRD
	991 362 772 01 OU7	Platinum Silver Metallic			PR:340
	991 362 772 01 041	Black			PR:XDG
	991 362 772 01 OB5	Platinum satin-matt			PR:XDH
	991 362 772 01 C9X	Jet Black Metallic			PR:XDL
2	900 265 001 51	Rubber valve Discontinued part		4	PR:447
2	311 601 361	Rubber valve		4	PR:447
3	WHT 006 913	Valve cap for valve unit		4	PR:447
4	WHT 006 978	Wheel bolt M 14 X 1,5 X 44		16	PR:-478

Model: 991-16

Model life 2017&gt;&gt;

Pos	Part Number	Description	Remark	Qty	Model
5	WHT 006 979 A	1 set wheel studs, anti-theft Black		1	PR:-444,-478
(5)	WHT 006 980 C	1 set wheel studs, anti-theft Black		1	PR:444,-478
6	9P1 601 147	Hub cap	Concave	4	PR:-446,340
	9P1 601 147 8Z8	Brilliant Silver			PR:432
	9P1 601 147 88Z	Brilliant chrome finish			PR:433
	9P1 601 147 OB5	Platinum satin-matt			PR:460
(6)	9P1 601 147 A	Hub cap	Concave	4	PR:446,432,
		Porsche crest	Multi-coloured		340
	9P1 601 147 A 8Z8	Brilliant Silver			
(6)	9P1 601 147 A	Hub cap	Concave	4	PR:446,340,
		Porsche crest	Multi-coloured		433,-011
	9P1 601 147 A 88Z	Brilliant chrome finish			PR:433
(6)	9P1 601 147 A	Hub cap	Concave	4	PR:446,346,
		Porsche crest	Multi-coloured		433,011
	9P1 601 147 A 88Z	Brilliant chrome finish			PR:433
(6)	9P1 601 149	Hub cap	Convex	4	PR:427,340,
					-446
	9P1 601 149 OC6	Titanium			
(6)	9P1 601 149 A	Hub cap	Convex	4	PR:427,340,
		Porsche crest	Multi-coloured		446
	9P1 601 149 A OC6	Titanium			PR:340
(6)	7L5 601 151	Hub cap	Concave	4	PR:433,446
		Porsche crest	Multi-coloured		
	7L5 601 151 041	Black			PR:XDG
	7L5 601 151 OB5	Platinum satin-matt			PR:XDH
	7L5 601 151 JE1	Matt black			PR:XDK
(6)	9A7 601 151 00	Hub cap	Concave	4	PR:433,446
		Porsche crest	Multi-coloured		
	9A7 601 151 00 C9X	Jet Black Metallic			PR:XDL
(6)	7L5 601 151	Hub cap	Concave	4	PR:433
		Porsche crest	Multi-coloured		
	7L5 601 151 JE1	Matt black			PR:XDK
(6)	7PP 601 149 H	Hub cap	Concave	4	PR:439,-446
		Porsche crest			
		Black			
(6)	7PP 601 149 J	Hub cap	Concave	4	PR:439,446
		Porsche crest	Multi-coloured		
(6)	7P5 601 151	Hub cap	Convex	4	PR:XRD,446
			Multi-coloured		
	7P5 601 151 041	Black			PR:XDG
	7P5 601 151 OB5	Platinum satin-matt			PR:XDH
	7P5 601 151 C9X	Jet Black Metallic			PR:XDL
	7P5 601 151 OU7	Platinum Silver Metallic			PR:340
7	997 361 405 00	Balancer weight (self-adhesive) 5.G.		X	PR:-493
(7)	9P1 601 179	Balancer weight (self-adhesive) Black		X	PR:493
(7)	997 361 410 00	Balancer weight (self-adhesive) 10 G.		X	PR:-493
(7)	9P1 601 181	Balancer weight (self-adhesive) Black		X	PR:493
(7)	997 361 415 00	Balancer weight (self-adhesive) 15 G.		X	PR:-493
(7)	9P1 601 182	Balancer weight		X	PR:493

Model: 991-16

Model life 2017&gt;&gt;

Pos	Part Number	Description	Remark	Qty	Model
(7)	997 361 420 00	(self-adhesive) Black Balancer weight (self-adhesive) 20 G.		X	PR:-493
(7)	9P1 601 183	Balancer weight (self-adhesive) Black		X	PR:493
(7)	997 361 425 00	Balancer weight (self-adhesive) 25 G.		X	PR:-493
(7)	9P1 601 184	Balancer weight (self-adhesive) Black		X	PR:493
(7)	997 361 430 00	Balancer weight (self-adhesive) 30 G.		X	PR:-493
(7)	9P1 601 185	Balancer weight (self-adhesive) Black		X	PR:493
(7)	997 361 435 00	Balancer weight (self-adhesive) 35 G.		X	PR:-493
(7)	9P1 601 186	Balancer weight (self-adhesive) Black		X	PR:493
(7)	997 361 440 00	Balancer weight (self-adhesive) 40 G.		X	PR:-493
(7)	9P1 601 187	Balancer weight (self-adhesive) Black		X	PR:493
(7)	997 361 445 00	Balancer weight (self-adhesive) 45 G.		X	PR:-493
(7)	9P1 601 188	Balancer weight (self-adhesive) Black		X	PR:493
(7)	997 361 450 00	Balancer weight (self-adhesive) 50 G.		X	PR:-493
(7)	9P1 601 189	Balancer weight (self-adhesive) Black		X	PR:493
(7)	997 361 455 00	Balancer weight (self-adhesive) 55 G.		X	PR:-493
(7)	9P1 601 190	Balancer weight (self-adhesive) Black		X	PR:493
(7)	997 361 460 00	Balancer weight (self-adhesive) 60 G.		X	PR:-493
(7)	9P1 601 191	Balancer weight (self-adhesive) Black		X	PR:493
(7)	997 361 465 00	Balancer weight (self-adhesive) 65 G.		X	PR:-493
(7)	9P1 601 192	Balancer weight (self-adhesive) Black		X	PR:493
(7)	997 361 470 00	Balancer weight		X	PR:-493

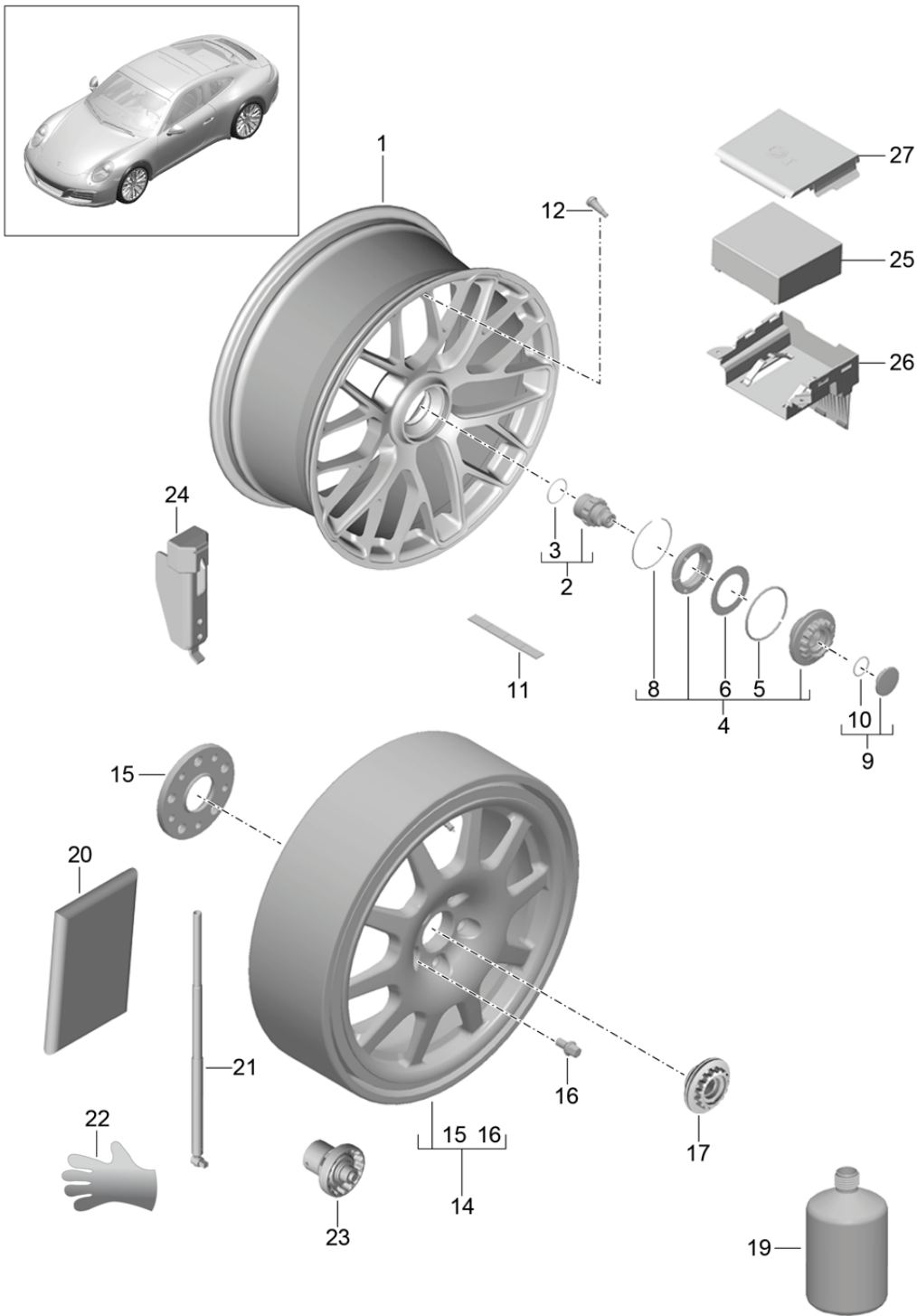
Model: 991-16

Model life 2017>>

Pos	Part Number	Description	Remark	Qty	Model
(7)	9P1 601 193	(self-adhesive) 70 G. Balancer weight (self-adhesive) Black		X	PR:493
(7)	997 361 475 00	Balancer weight (self-adhesive) 75 G.		X	PR:-493
(7)	9P1 601 194	Balancer weight (self-adhesive) Black		X	PR:493
(7)	997 361 480 00	Balancer weight (self-adhesive) 80 G.		X	PR:-493
(7)	9P1 601 195	Balancer weight (self-adhesive) Black		X	PR:493
(7)	997 361 485 00	Balancer weight (self-adhesive) 85 G.		X	PR:-493
(7)	9P1 601 196	Balancer weight (self-adhesive) Black		X	PR:493
(7)	997 361 490 00	Balancer weight (self-adhesive) 90 G.		X	PR:-493
(7)	9P1 601 197	Balancer weight (self-adhesive) Black		X	PR:493
8	991 362 050 00	Spare wheel		1	PR:447,-478
9	4L0 012 619 B	Tyre sealant		1	
10		Cover for Spare wheel 19"			PR:447
11	999 914 001 40	Plastic gloves No longer use the part here	see illustration: 001-000	1	PR:447
12	5N0 012 615 C	Air compressor Spare wheel		1	
(12)	9P1 012 615 A	D >> - 08.11.2016 Compressor Spare wheel		1	
13	996 361 521 00	D - 09.11.2016>> Protective sleeve for Spare wheel		1	PR:447

Model: 991-16

Model life 2017>>



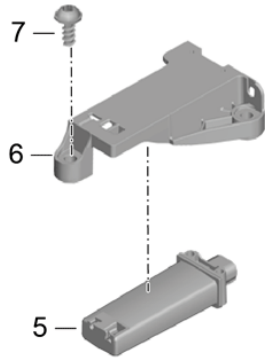
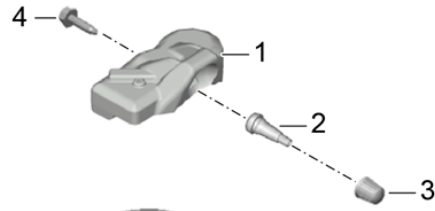
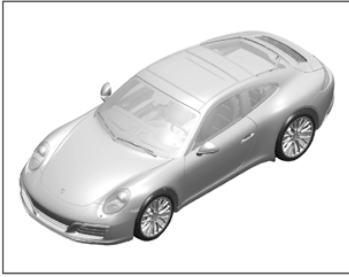
Model: 991-16

Model life 2017>>

Pos	Part Number	Description	Remark	Qty	Model
		Wheels			PR:478
(1)	991 362 721 00	Central locking Alloy wheel	front	2	PR:449,XDK
		9JX20 ET 51			
(1)	991 362 721 00 JE1	Matt black			
	991 362 771 01	Alloy wheel	rear	2	PR:449,XDK
		12JX20 ET 63			
	991 362 771 01 JE1	Matt black			
2	991 341 251 02	Locking mechanism		2	
3	999 707 012 40	O-ring		4	
		37 X 2,5			
4	991 361 081 90	Wheel bolt		4	
5	999 707 663 40	O-ring		4	
		90,00 X 4			
6	991 361 189 00	Washer		4	
8	997 361 187 00	Securing ring		4	
		2,0			
9	991 361 207 20	Hub cap		4	PR:449
		Central locking			
10	999 707 667 40	O-ring		4	PR:449
		30 X 2,5			
11		Balancer weight (self-adhesive)		X	
			601-000		
		see illustration:			
12	900 265 001 51	Rubber valve	rubber	4	PR:447
		Discontinued part			
12	311 601 361	Rubber valve	rubber	4	PR:447
14	991 362 021 02	Spare wheel		1	PR:447
15	991 362 191 00	Adapter		1	PR:447
		Spare wheel			
16	991 361 209 00	Wheel bolt		5	PR:447
		Adapter			
17	991 361 181 50	Wheel bolt		1	PR:447
		Central locking			
		Spare wheel			
19	9A7 012 619 02	Tyre sealant		1	
20	996 361 521 00	Protective sleeve		1	PR:447
		Spare wheel			
21	997 361 161 00	Extension		1	PR:447
		Spare wheel			
22	999 914 001 40	Plastic gloves		1	PR:447
		No longer use the part here			
23	991 361 069 00	Tool		1	
		for			
		Wheel bolt			
24	991 361 079 00	release tool		1	
25	9P1 012 615 A	Compressor		1	
		for			
		Spare wheel			
26	991 555 575 04	Bracket for compressor		1	
	991 555 575 04 1E0	Black			
		for			
		Compressor			
27	991 555 765 03	Cover		1	
	991 555 765 03 1E0	Black			
		for			
		Compressor			

Model: 991-16

Model life 2017>>



Model: 991-16

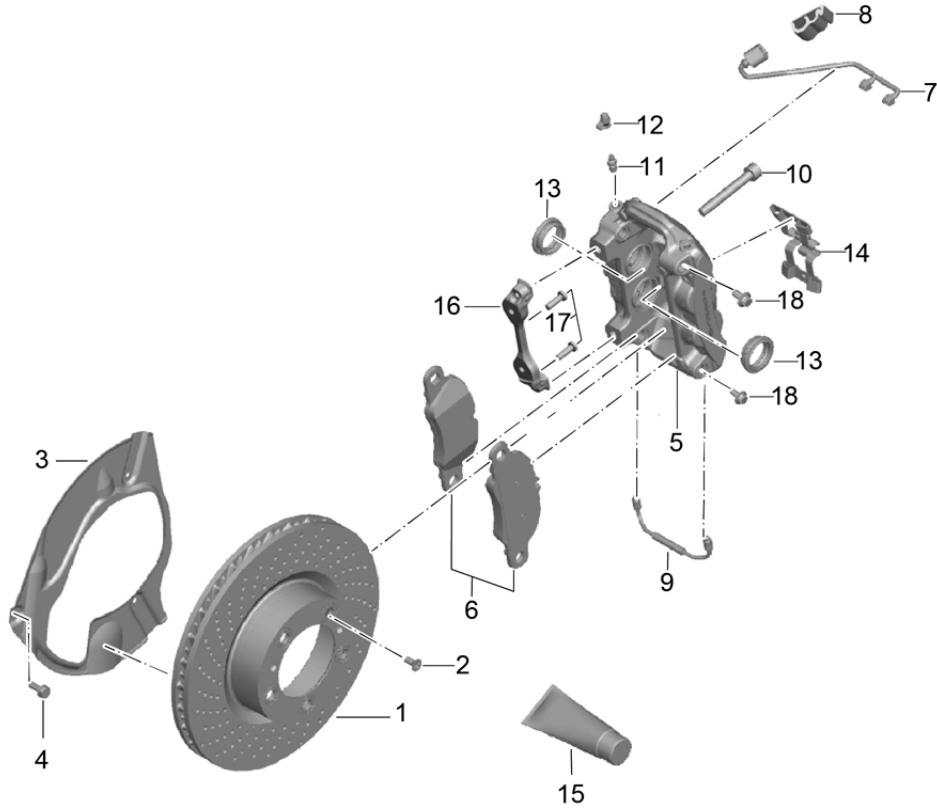
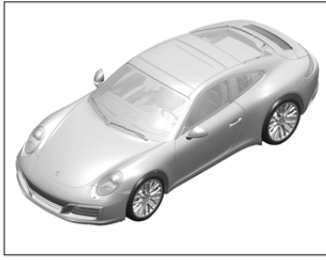
Model life 2017>>

Pos	Part Number	Description	Remark	Qty	Model
1	5Q0 907 275 B	tyre pressure control system Tyre pressure sensor tyre pressure control system also use: Valve		4	PR:482,483 PR:482
(1)	5Q0 907 275 C	Tyre pressure sensor tyre pressure control system also use: Valve		4	PR:483
2	9P1 601 361	Valve tyre pressure control system Black		4	PR:UX7
(2)	9P1 601 361 A	Valve tyre pressure control system silver		4	PR:UX6
3	WHT 006 913	Valve cap for valve unit Black		4	PR:UX7
(3)	N 908 729 01	Valve cap for valve unit silver		4	PR:UX6
4	4D0 601 365	Hexagon socket head bolt, self-locking		4	
5	7PP 907 273 H	Control unit for tyre pressure control D >> - 14.06.2016		1	PR:482
5	9A7 907 273 51	Control unit for tyre pressure control D - 15.06.2016>>		1	PR:482
(5)	9A7 907 273 00	Control unit for tyre pressure control D >> - 14.06.2016		1	PR:483
(5)	9A7 907 273 02	Control unit for tyre pressure control D - 15.06.2016>>		1	PR:483
6	991 618 269 01	Bracket		1	
7	999 919 241 01	Oval-head screw		2	



Model: 991-16

Model life 2017>>



Model: 991-16

Model life 2017>>

Pos	Part Number	Description	Remark	Qty	Model
(1)	9P1 615 301 A	Disc brake Front axle Brake disc	left front	1	PR:008,-450
(1)	9P1 615 301	Brake disc	left front	1	PR:009,-450
(1)	991 351 407 06	Brake disc	left front	1	PR:450
(1)	9P1 615 302 A	Brake disc	right front	1	PR:008,-450
(1)	9P1 615 302	Brake disc	right front	1	PR:009,-450
(1)	991 351 408 06	Brake disc	right front	1	PR:450
2	900 269 047 03	countersunk bolt M 6 X 12 - MK		4	PR:-478
3	991 351 801 01	Cover plate	left	1	PR:008,-450
(3)	991 351 801 02	Cover plate	left	1	PR:009,-450
(3)	991 351 805 01	Cover plate	left	1	PR:450
(3)	991 351 802 01	Cover plate	right	1	PR:008,-450
(3)	991 351 802 02	Cover plate	right	1	PR:009,-450
(3)	991 351 806 01	Cover plate	right	1	PR:450
4	999 217 116 01	Hexagon bolt M6 X 16		6	
5	9P1 615 123 B	caliper without brake pads	left	1	PR:008,-450
		also use:	999 067 053 09	4	
(5)	991 351 423 14	caliper without brake pads	left	1	PR:009,-450
		also use:	999 067 053 09	4	
(5)	991 351 429 33	caliper without brake pads	left	1	PR:450
		also use:	999 067 054 09	4	
(5)	9P1 615 124 B	caliper without brake pads	right	1	PR:008,-450
		also use:	999 067 053 09	4	
(5)	991 351 424 14	caliper without brake pads	right	1	PR:009,-450
		also use:	999 067 053 09	4	
(5)	991 351 430 33	caliper without brake pads	right	1	PR:450
		also use:	999 067 054 09	4	
6	9P1 698 151 A	1 set of brake pads for disk brake	front	1	PR:008,-450
		also use:			
		Fasteners	999 067 053 09	4	
		also use:			
(6)	991 351 947 02	1 set of brake pads for disk brake	front	1	PR:009,-450
		also use:			
		Fasteners	999 067 053 09	4	
		also use:			
(6)	991 351 946 02	1 set of brake pads for disk brake	front	1	PR:450
		also use:	999 067 054 09	4	
7	991 609 165 00	sender wire (pad wear indicator)		2	PR:008,-450
(7)	991 609 181 00	sender wire (pad wear indicator)		2	PR:009,-450
(7)	991 609 181 00	sender wire (pad wear indicator)		2	PR:450
8	944 612 627 00	Line holder for sender wire (pad wear indicator)		2	
9	9P1 615 175	Connecting line		2	PR:008,-450
(9)	991 351 961 11	Fixed calliper Connecting line		2	PR:009,-450
(9)	991 351 961 01	Fixed calliper Connecting line	left	1	PR:450
(9)	991 351 962 01	Connecting line	right	1	PR:450
10	999 067 053 09	Socket head bolt M 12 X 1,5 X 85		4	PR:-450
(10)	999 067 054 09	Socket head bolt		4	PR:450

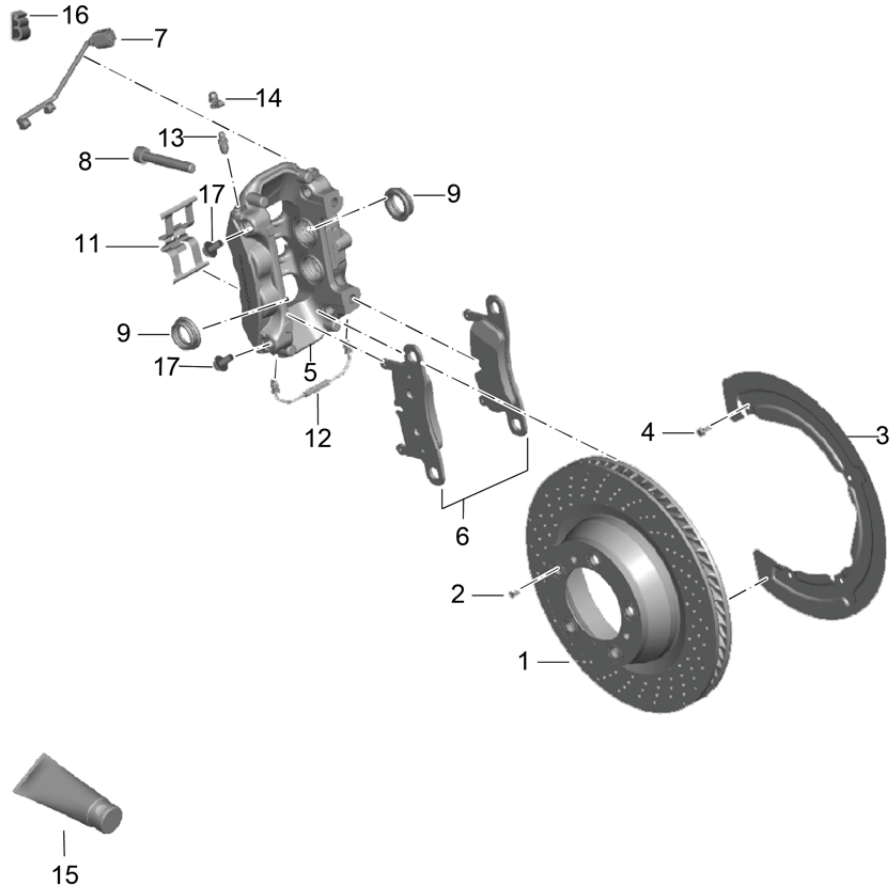
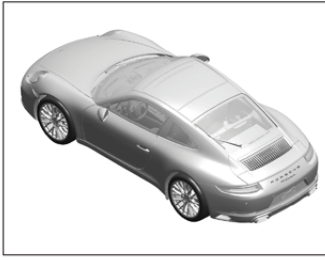
Model: 991-16

Model life 2017&gt;&gt;

Pos	Part Number	Description	Remark	Qty	Model
11	8A0 615 273	M 12 X 1,5 X 62 Breather valve		4	PR:008,-009, -450
(11)	8A0 615 273	Breather valve		4	PR:450
(11)	997 352 917 00	Breather valve		4	PR:009,-450
12	211 611 483	dust cap		20	PR:-009
(12)	930 351 927 00	dust cap		2	PR:009,-450
13	996 351 915 01	repair set Protection caps 38 MM		X	PR:008,-450
(13)	951 352 917 01	repair set Protection caps 30 MM		X	PR:009,-450
(13)	996 352 915 00	repair set Protection caps 32 MM		X	PR:009,-450
(13)	965 352 917 00	Repair set for rear axle Protection caps		X	PR:009,-450
(13)	991 351 915 00	repair set Protection caps 32 MM		X	PR:450
14	9P1 615 157	Spring repair set		2	PR:008,-450
14	970 351 959 01	Spring repair set		2	PR:009
15	000 043 117 00	brake cylinder paste 50 G		X	
(15)	000 043 020 00	Assembly paste 100 G		X	
16	997 351 505 04	Adapter Fixed calliper		2	PR:450
17	999 073 313 09	flat round head bolt M12 X 1,5 X 37 Adapter		4	PR:450
18	9A7 008 689 00	shouldered bolt M 8 X 16		4	PR:-450

Model: 991-16

Model life 2017>>



Model: 991-16

Model life 2017>>

Pos	Part Number	Description	Remark	Qty	Model
1	991 352 403 01	Disc brake			
(1)	991 352 403 02	Rear axle			
		Brake disc	left rear	1	PR:-450,-478
		Brake disc	left rear	1	PR:-450,478,
			also use:		
			991 341 901 00	1	009
(1)	991 352 409 07	Brake disc	left rear	1	PR:450
(1)	991 352 404 01	Brake disc	right rear	1	PR:-450,-478
(1)	991 352 404 02	Brake disc	right rear	1	PR:-450,478,
			also use:		
			991 341 901 00	1	009
(1)	991 352 410 07	Brake disc	right rear	1	PR:450
2	900 269 047 03	countersunk bolt		4	PR:-478
		M 6 X 12			
(2)	900 269 106 01	countersunk bolt		4	PR:XRP,-478
		M 6 X 16			
3	9P1 615 611	Cover plate	left	1	PR:-450
(3)	991 352 805 02	Cover plate	left	1	PR:450
(3)	9P1 615 612	Cover plate	right	1	PR:-450
(3)	991 352 806 02	Cover plate	right	1	PR:450
4	999 217 116 01	Hexagon bolt		8	
		M 6 X 16			
5	991 352 421 02	caliper without brake pads	left	1	PR:008,-450
			also use:		
			999 067 053 09	2	
(5)	991 352 423 14	caliper without brake pads	left	1	PR:009,-450
			also use:		
			999 067 053 09	2	
(5)	991 352 429 33	caliper without brake pads	left	1	PR:450
			also use:		
			N 911 837 01	2	
(5)	991 352 422 02	caliper without brake pads	right	1	PR:008,-450
			also use:		
			999 067 053 09	2	
(5)	991 352 424 14	caliper without brake pads	right	1	PR:009,-450
			also use:		
			999 067 053 09	2	
(5)	991 352 430 33	caliper without brake pads	right	1	PR:450
			also use:		
			N 911 837 01	2	
(6)	991 352 949 02	1 set of brake pads for	rear	1	PR:-450
		disk brake			
			999 067 053 09	4	
			also use:		
(6)	991 352 946 01	1 set of brake pads for	rear	1	PR:450
		disk brake			
			N 911 837 01	4	
			also use:		
7	991 609 183 00	sender wire		2	
		(pad wear indicator)			
8	999 067 053 09	Socket head bolt		4	PR:-450
		M 12 X 1,5 X 85			
(8)	N 911 837 01	Socket head bolt with inner		4	PR:450
		multipoint head			
		M 12 X 1,5 X 115			
9	9A7 698 671 00	Set		4	PR:-450
		Protection caps			
		32 MM			
(9)	996 351 915 00	repair set		4	PR:450
		Protection caps			
		32 MM			
11	970 352 959 00	Spring		2	PR:-450
(11)	991 352 951 00	Repair set for		2	PR:450
		rear axle			
		Spring			
12	971 615 701	Connecting line		2	PR:-450
13	8A0 615 273	Breather valve		4	
14	211 611 483	dust cap		4	
15	000 043 117 00	brake cylinder paste		X	
		50 G			
(15)	000 043 020 00	Assembly paste		X	

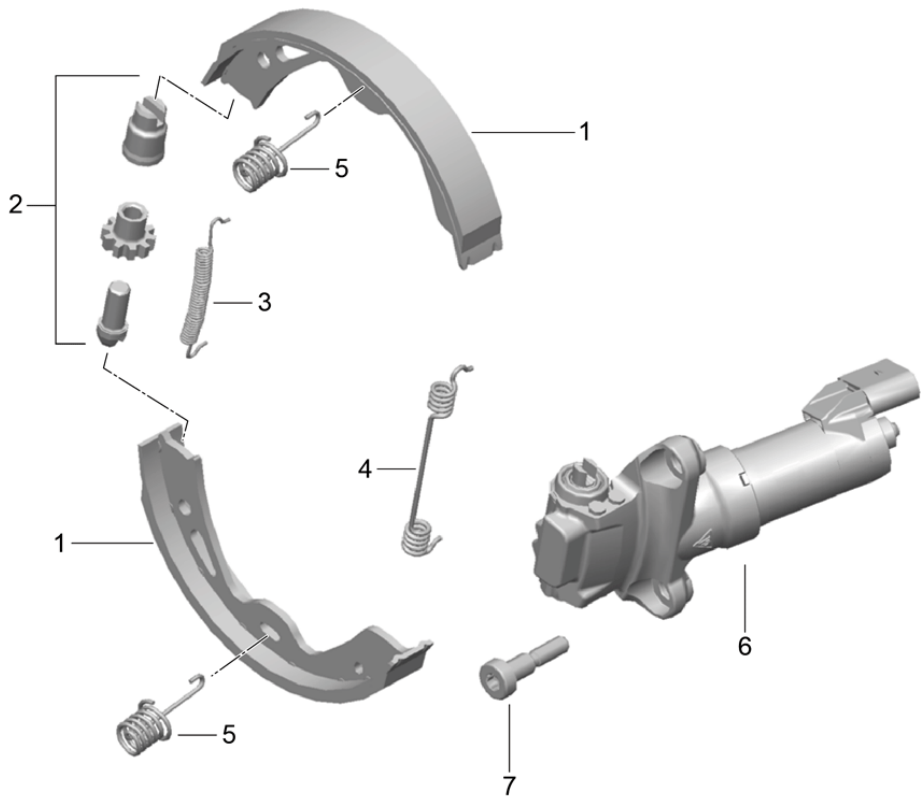
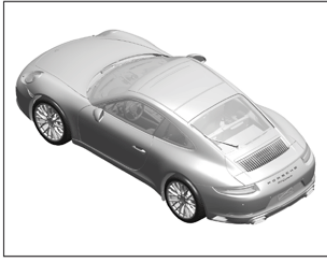
Model: 991-16

Model life 2017&gt;&gt;

Pos	Part Number	Description	Remark	Qty	Model
16	944 612 627 00	100 G Line holder for		2	
17	9A7 008 689 00	Warning contact shouldered bolt M 8 X 16		4	PR:-450

Model: 991-16

Model life 2017>>



Model: 991-16

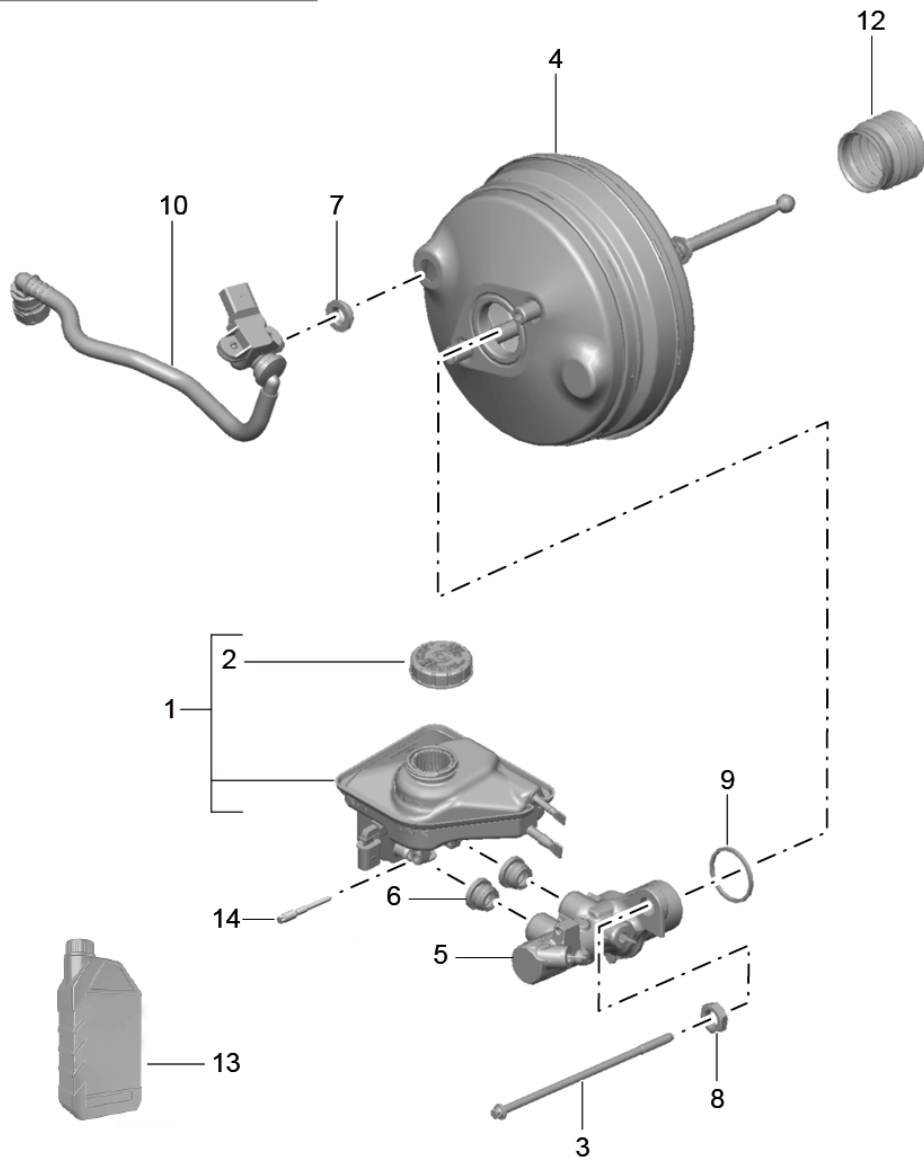
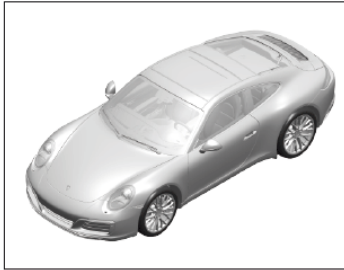
Model life 2017>>

Pos	Part Number	Description	Remark	Qty	Model
1	298 698 533	Parking brake Brake shoe repair set comprising: Brake shoe		1	
		also use:		4	
		Fasteners			
		D >> - 13.05.2016			
1	971 698 533	Brake shoe repair set comprising: Brake shoe		1	
		also use:		4	
		Fasteners			
		D - 16.05.2016>>			
2	298 609 723	adjustment screw		2	
3	298 609 717	tension spring		2	
4	298 609 715	tension spring		2	
5	298 609 583	Pressure spring		4	
6	298 609 403	Servomotor	left	1	
(6)	298 609 404	Servomotor	right	1	
7	999 073 452 01	Screw M 8 X 38		4	



Model: 991-16

Model life 2017>>



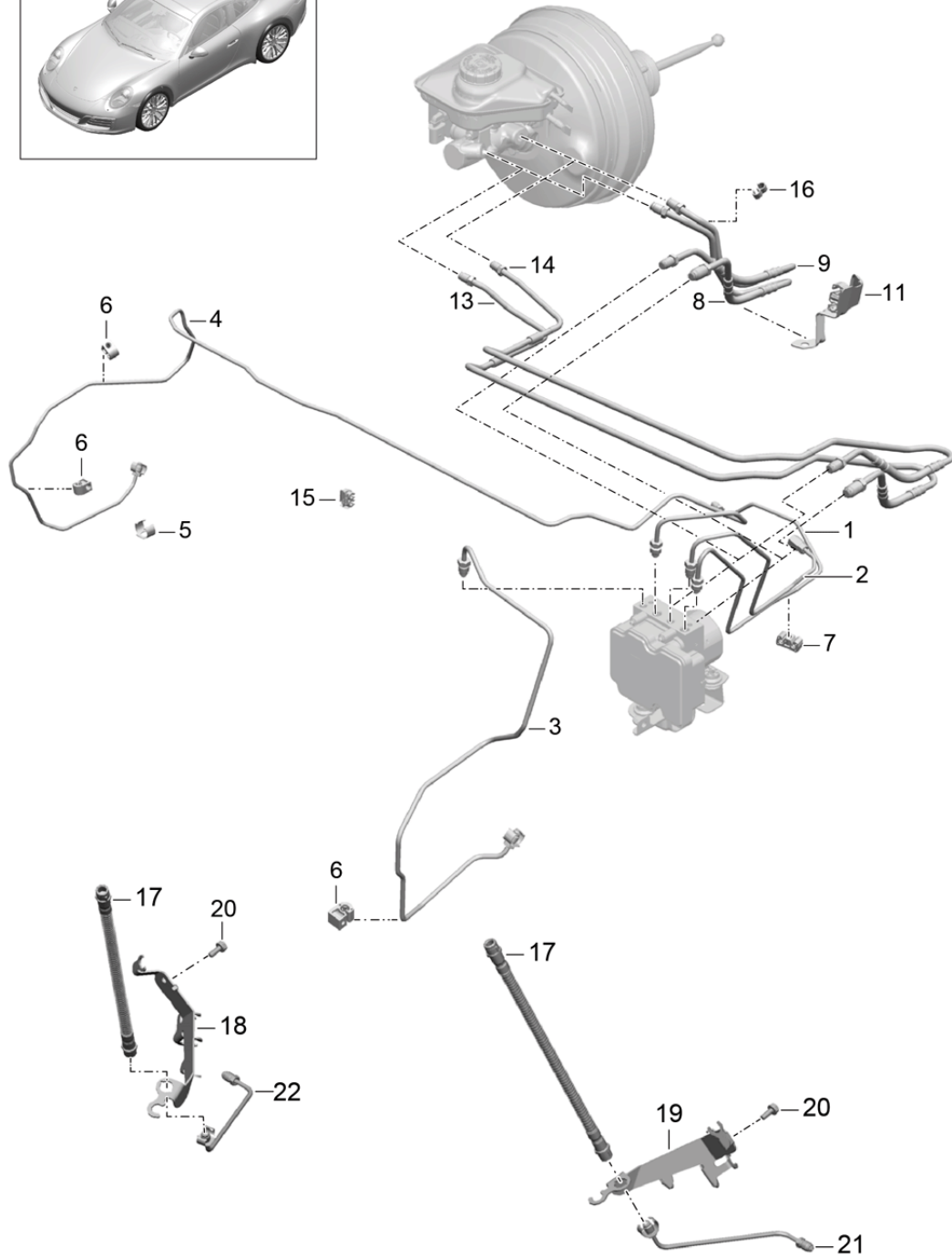
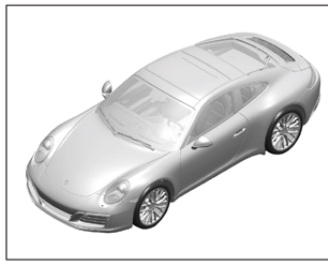
Model: 991-16

Model life 2017>>

Pos	Part Number	Description	Remark	Qty	Model
1	991 355 013 02	Brake master cylinder		1	
2	5Q0 611 349 A	Brake servo Reservoir cap for expansion tank		1	PR:484
(2)	5Q0 611 349 B	cap for expansion tank		1	PR:-484
3	991 355 929 00	Socket head bolt M 8 X 196,9 X 31,9		2	
4	991 355 125 28	Brake servo		1	PR:-450
(4)	991 355 125 29	Brake servo		1	PR:450
5	991 355 130 27	Brake master cylinder		1	
6	958 355 922 00	Rubber seal Reservoir		2	
7		Seal  only in conj. with:		1	
8	970 355 925 00	Brake servo Nut M 16 X 8		2	
9	993 355 212 00	Seal		1	
10	991 355 577 04	Vacuum line		1	PR:098
(10)	991 355 578 02	Vacuum line		1	PR:099
12	970 355 969 00	Bellows		1	
13	000 043 210 82	brake fluid	1.0 Ltr.	X	
13	000 043 210 86	brake fluid	30ltr.	X	
14	WHT 005 308	stud with shoulder M 5 X 51		1	

Model: 991-16

Model life 2017>>

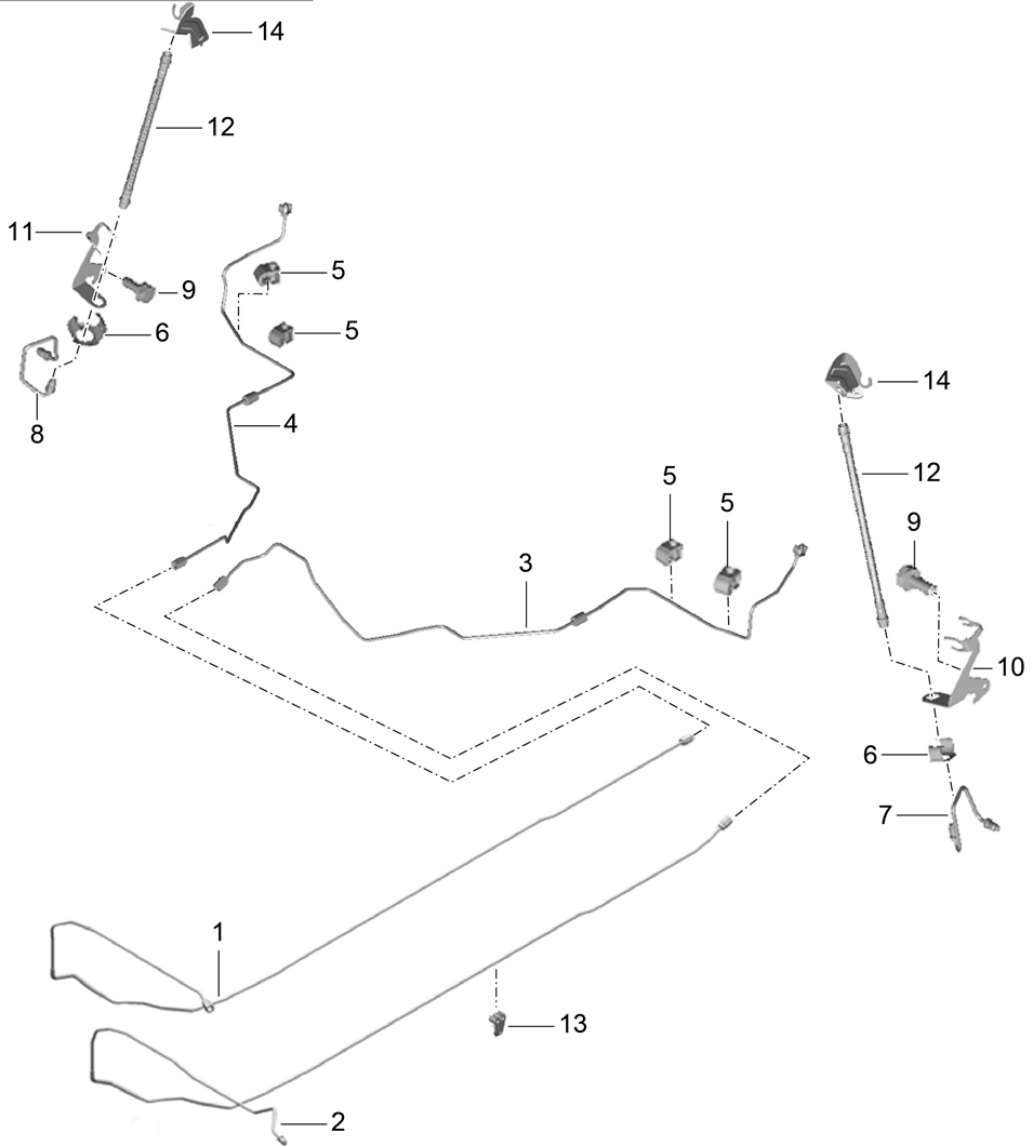
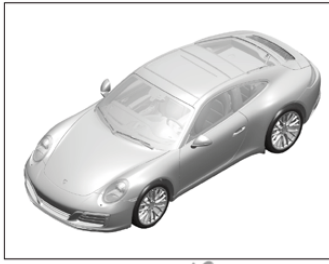


Model: 991-16 Model life 2017>>

Pos	Part Number	Description	Remark	Qty	Model
		Brake lines	front		
		Front end			
1	991 355 316 12	Brake line		1	
2	991 355 315 07	Brake line		1	
3	991 355 175 05	Brake line		1	
4	991 355 176 06	Brake line		1	
5	997 355 331 01	retaining spring		6	
		Brake line			
6	95B 611 797	Clip		4	
		4,75-6,0			
7	8K0 611 797 G	Brake line bracket		2	
8	991 355 311 30	Brake line		1	PR:098
9	991 355 313 29	Brake line		1	PR:098
11	991 355 509 10	Bracket		1	PR:099,-031
(11)	991 355 509 01	Bracket		1	PR:099,031, 352
13	991 355 312 31	Brake line		1	PR:099,-011
(13)	991 355 312 06	Brake line		1	PR:099,011
(13)	991 355 312 06	Brake line		1	PR:099
14	991 355 314 30	Brake line		1	PR:099,-011
(14)	991 355 314 05	Brake line		1	PR:099,011
(14)	991 355 314 05	Brake line		1	PR:099
15	991 355 508 01	Bracket		2	PR:099,-011
(15)	991 355 508 26	Bracket		2	PR:099,011
(15)	991 355 508 26	Bracket		2	PR:099
16	999 591 897 40	Bracket		3	
		8,00/8,00			
17	991 355 137 01	Brake hose		2	
18	9P1 611 845	Bracket	left	1	
19	9P1 611 846	Bracket	right	1	
20	999 217 116 01	Hexagon bolt		2	
		M 6 X 16			
21	991 355 581 02	Brake line	left	1	PR:008,-450
(21)	991 355 581 03	Brake line	left	1	PR:009,-450
(21)	991 355 581 05	Brake line	left	1	PR:450
22	991 355 582 02	Brake line	right	1	PR:008,-450
(22)	991 355 582 03	Brake line	right	1	PR:009,-450
(22)	991 355 582 05	Brake line	right	1	PR:450

Model: 991-16

Model life 2017>>



Model: 991-16 Model life 2017>>

Pos	Part Number	Description	Remark	Qty	Model
		Brake lines	center		
		Underbody	rear		
1	991 355 179 11	Brake line		1	
2	991 355 177 13	Brake line		1	
3	991 355 189 07	Brake line	left	1	PR:-450, -470,-011
(3)	991 355 189 54	Brake line	left	1	PR:450,-011
(3)	991 355 189 54	Brake line	left	1	PR:470,-011
(3)	991 355 189 54	Brake line	left	1	PR:011
4	991 355 190 12	Brake line	right	1	PR:-450, -470,-011
(4)	991 355 190 62	Brake line	right	1	PR:450,-011
(4)	991 355 190 62	Brake line	right	1	PR:470,-011
(4)	991 355 190 62	Brake line	right	1	PR:011
5	95B 611 797	Clip 4,75-6,0		4	
6	997 355 331 00	retaining spring		2	
		Brake line			
7	9P1 614 771	Brake line	left	1	PR:-450, -470,-011
(7)	9P1 614 771 A	Brake line	left	1	PR:-450,470, -011
(7)	9P1 614 771 A	Brake line	left	1	PR:-450,011
(7)	9P1 614 771 B	Brake line	left	1	PR:450
8	9P1 614 772	Brake line	right	1	PR:-450, -470,-011
(8)	9P1 614 772 A	Brake line	right	1	PR:-450,470, -011
(8)	9P1 614 772 A	Brake line	right	1	PR:-450,011
(8)	9P1 614 772 B	Brake line	right	1	PR:450
9	999 217 116 01	Hexagon bolt M 6 X 16		2	
10	9P1 614 843	Bracket	left	1	PR:-450, -470,-011
(10)	9P1 614 843 A	Bracket	left	1	PR:-450,470, -011
(10)	9P1 614 843 A	Bracket	left	1	PR:-450,011
(10)	9P1 614 843 B	Bracket	left	1	PR:450
11	9P1 614 844	Bracket	right	1	PR:-450, -470,-011
(11)	9P1 614 844 A	Bracket	right	1	PR:-450,470, -011
(11)	9P1 614 844 A	Bracket	right	1	PR:-450,011
(11)	9P1 614 844 B	Bracket	right	1	PR:450
12	991 355 137 01	Brake hose		2	
13	991 355 510 02	Bracket		2	
		Clip			
14	991 355 505 03	Retainer for brake hose Mount Body	left	1	PR:450,-011
(14)	991 355 505 03	Retainer for brake hose Mount Body	left	1	PR:011
(14)	991 355 505 03	Retainer for brake hose Mount Body	left	1	PR:-450,470, -011
(14)	991 355 506 03	Retainer for brake hose Mount Body	right	1	PR:450,-011

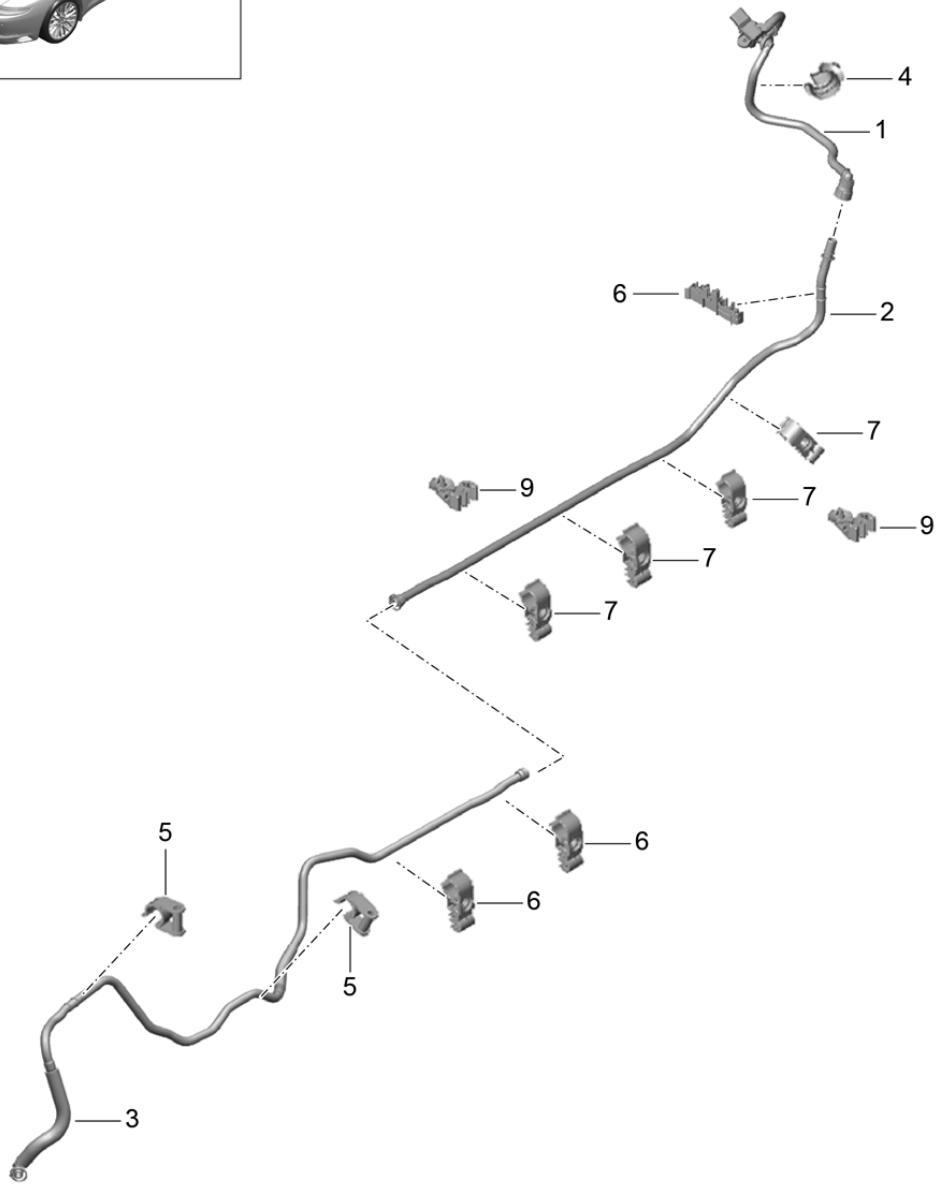
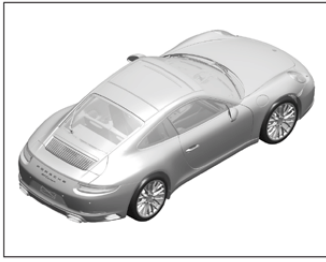
Model: 991-16

Model life 2017>>

Pos	Part Number	Description	Remark	Qty	Model
(14)	991 355 506 03	Body Retainer for brake hose Mount	right	1	PR:011
(14)	991 355 506 03	Body Retainer for brake hose Mount Body	right	1	PR:-450,470, -011

Model: 991-16

Model life 2017>>





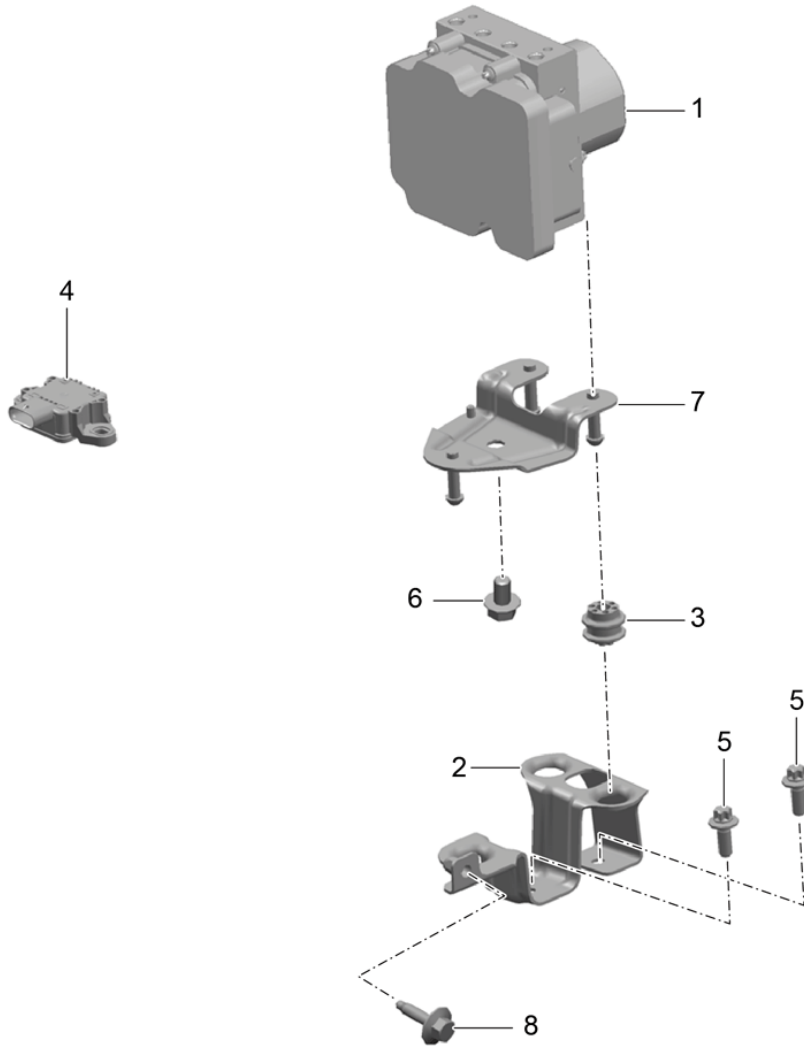
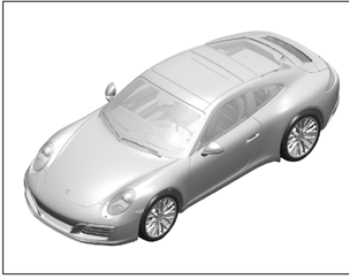
Model: 991-16

Model life 2017>>

Pos	Part Number	Description	Remark	Qty	Model
		Vacuum line Brake servo	front center rear		
1	991 355 577 04	Vacuum line	lhd	1	PR:098
(1)	991 355 578 02	Vacuum line	rhd	1	PR:099
2	991 355 571 02	Vacuum line		1	
3	991 355 575 11	Vacuum line		1	
4	999 507 968 41	Clip 15,0		1	
5	999 591 964 40	Bracket 15,0		6	
6	991 355 507 50	Bracket		1	PR:-474
(6)	991 355 507 60	Bracket		1	PR:474
7	991 355 512 02	Bracket		6	PR:-474
(7)	991 355 512 11	Bracket		6	PR:474
9	991 355 510 02	Bracket		2	

Model: 991-16

Model life 2017>>



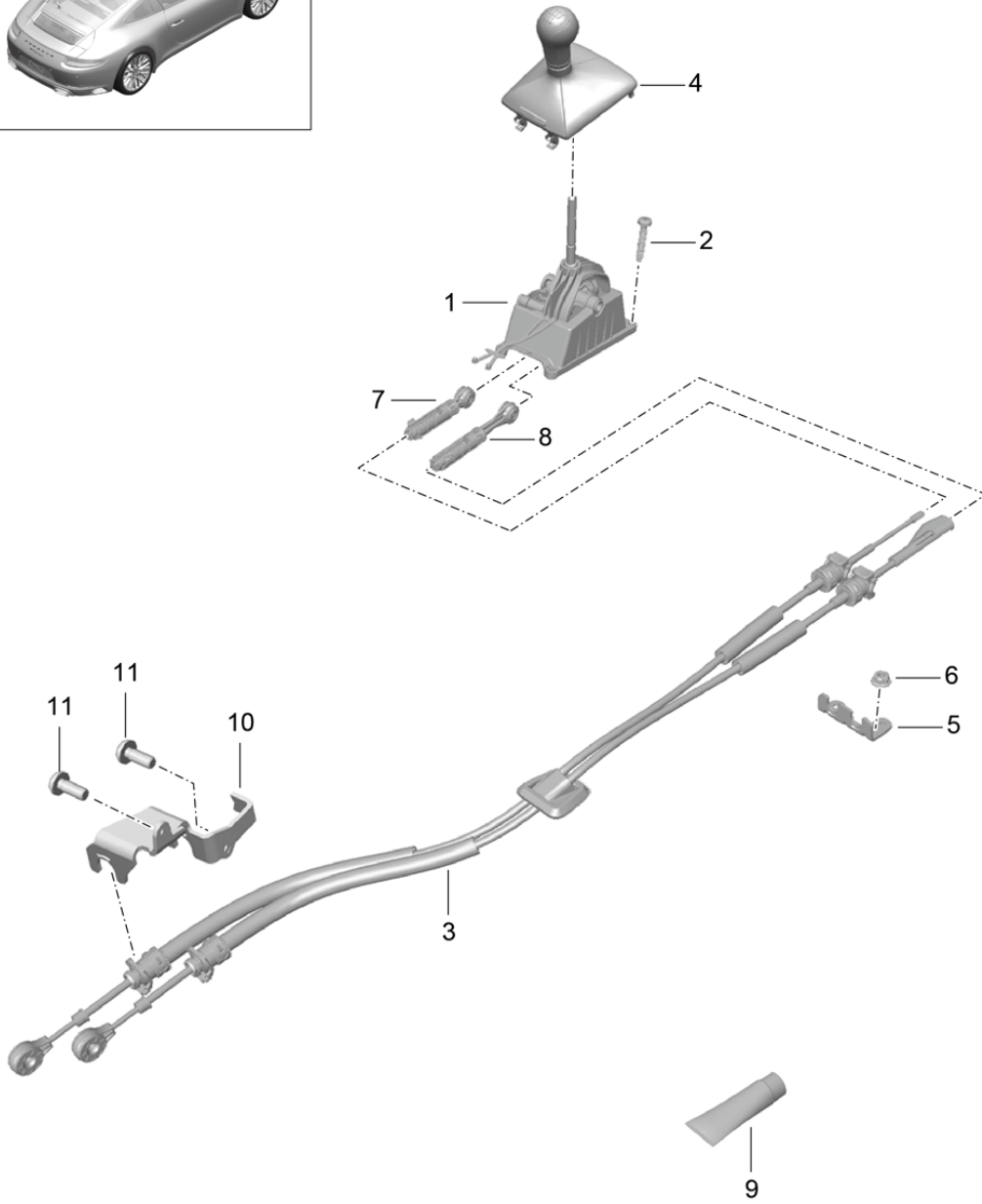
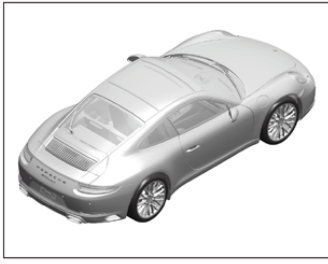
Model: 991-16

Model life 2017>>

Pos	Part Number	Description	Remark	Qty	Model
		Hydraulic unit anti-locking brake syst. -abs- Control			
1	9P1 698 517 D	Hydraulic unit		1	
(1)	9P1 698 517 E	Hydraulic unit		1	
2	991 355 033 01	Bracket		1	
3	958 355 177 10	Stop buffer		3	
4	991 606 145 03	Sensor		1	
5	999 073 556 01	Hexagon bolt M 8 X 30		2	
6	900 378 346 01	Hexagon bolt M 10 X 1 X 16		1	
7	991 355 135 01	Retainer, upper part	upper	1	
8	N 909 995 02	Hex collared bolt AM 6 X 25		1	

Model: 991-16

Model life 2017>>



Model: 991-16 Model life 2017>>

Pos	Part Number	Description	Remark	Qty	Model
		Transmission control Manual gearbox			PR:487
1	991 424 010 01	ball housing - gearshift lever		1	
2	999 919 281 01	fillister hd. bolt 5 X 30		4	
3	991 424 041 00	cable for shift mechanism		1	
4	991 424 075 31	Transmission control gearstick knob (leather)		1	PR:-XHC, -XHH,-XLM, -XYC,-037
(4)	991 424 075 31 8YR	Black			
	991 424 980 33	gearstick knob Carbon Shift pattern		1	PR:XHH
	991 424 980 33 8YR	Black	-AG,AJ,AQ,AZ, BT,BM,TD,99, GQ		
	991 424 980 33 OG6	Bordeaux red	-LZ		
	991 424 980 33 PL1	agate grey	-FG,FJ,FQ,FZ		
	991 424 980 33 OH7	Graphite Blue	-HZ,BG,TG		
	991 424 980 33 OK6	saddle brown	-SZ		
	991 424 980 33 8C0	Espresso	-NE,BY		
	991 424 980 33 9H6	Luxor beige	-UG,UJ,UQ,UZ		
(4)	991 424 980 34	gearstick knob mahagoni Shift pattern		1	PR:XHC
	991 424 980 34 8YR	Black	-AG,AJ,AQ,AZ, BT,BM,TD,99		
	991 424 980 34 OG6	Mahogany/bordeaux red	-LZ		
	991 424 980 34 PL1	Mahogany/agate grey	-FG,FJ,FQ,FZ		
	991 424 980 34 OH7	Mahogany/graphite blue	-HZ,BG,TG		
	991 424 980 34 OK6	Mahogany/saddle brown	-SZ		
	991 424 980 34 8C0	Mahogany/espresso	-NE,BY		
	991 424 980 34 9H6	Mahogany/luxor beige	-UG,UJ,UQ,UZ		
(4)	991 424 980 35	gearstick knob aluminium Shift pattern		1	PR:XYC
	991 424 980 35 8YR	Black	-AG,AJ,AQ,AZ, BT,BM,TD,99		
	991 424 980 35 OG6	Bordeaux red	-LZ		
	991 424 980 35 PL1	agate grey	-FG,FJ,FQ,FZ		
	991 424 980 35 OH7	Graphite Blue	-HZ,BG,TG		
	991 424 980 35 OK6	saddle brown	-SZ		
	991 424 980 35 8C0	Espresso	-NE,BY		
	991 424 980 35 9H6	Luxor beige	-UG,UJ,UQ,UZ		
(4)	991 424 980 36	gearshift lever Alcantara		1	PR:XLM
(4)	991 424 980 36 2W0	Alcantara			
(4)	991 424 980 37	gearshift lever Alcantara		1	PR:XLM,037
	991 424 980 37 2W0	Black			
(4)	991 424 075 33	gearshift lever Leather		1	PR:-XLM,037
	991 424 075 33 8YR	Black			
5	991 424 163 00	Bracket		1	
6	999 084 629 01	Hexagon nut M 6		2	
7	991 424 145 00	Securing element for Cable		1	
8	991 424 147 00	Adjustable Securing element for		1	

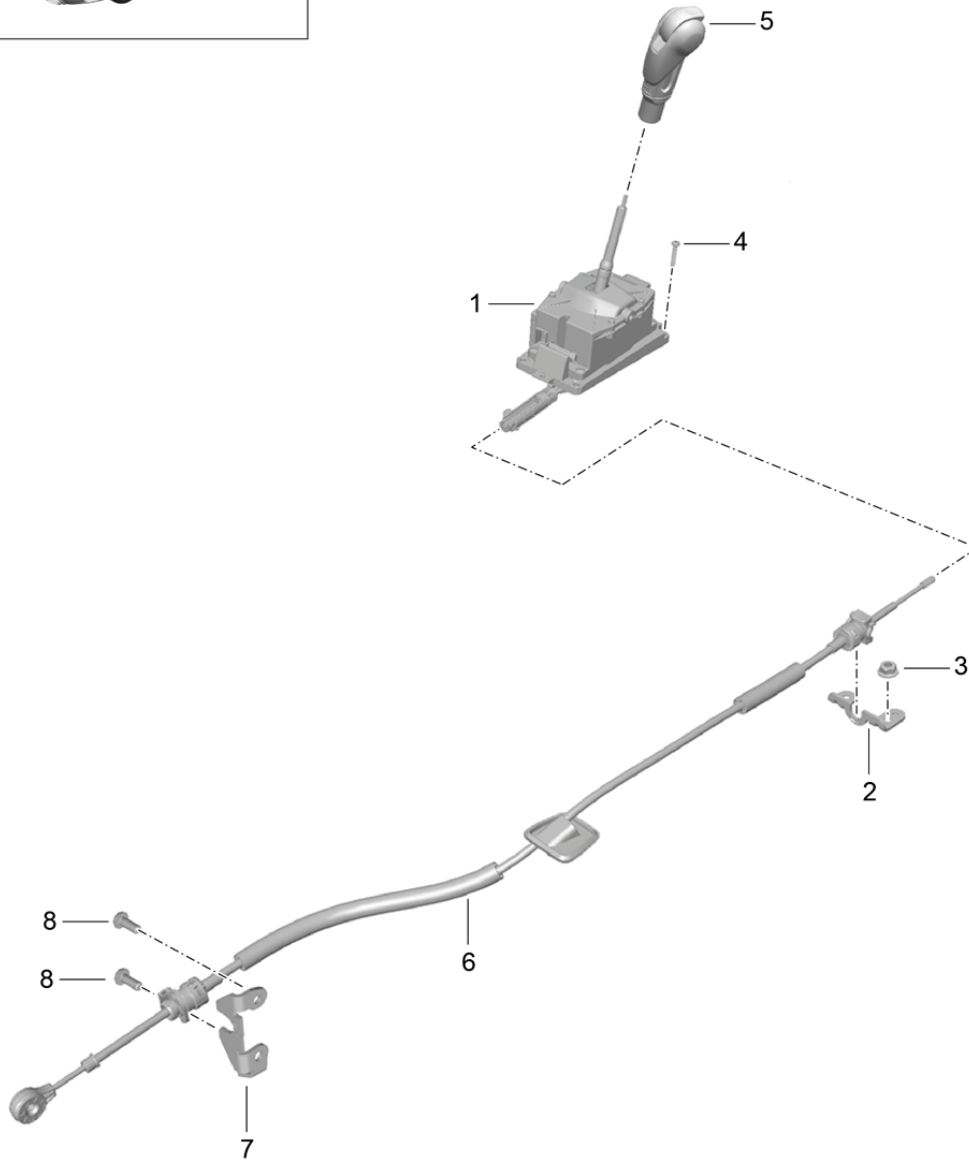
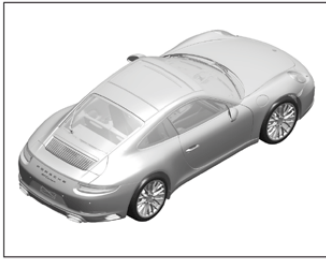
Model: 991-16

Model life 2017&gt;&gt;

Pos	Part Number	Description	Remark	Qty	Model
9	000 043 305 39	Cable Adjustable Grease 1 100-gramme tube		1	

Model: 991-16

Model life 2017>>



Model: 991-16

Model life 2017>>

Pos	Part Number	Description	Remark	Qty	Model
1	9G1 426 011 10	selector lever - PDK - Support		1	PR:250
		with:			
2	9G1 426 209 00	housing		1	
3	999 084 629 01	Bracket		1	
		Hexagon nut		2	
		M 6 SB			
4	999 919 281 01	fillister hd. bolt		4	
		5 X 30			
5	9G1 426 069 30	Selector knob		1	PR:-XYH, -XHD,-XHJ, -XLN
		Leather			
	9G1 426 069 30 8YR	Black	-AG,AJ,AQ,AZ, BT,BM,TD,99, GF,GG,GQ,GR, GW,GY		
	9G1 426 069 30 OG6	Bordeaux red	-LZ		
	9G1 426 069 30 PL1	agate grey	-FG,FJ,FQ,FZ		
	9G1 426 069 30 OH7	Graphite Blue	-HZ,BG,TG		
	9G1 426 069 30 OK6	saddle brown	-SZ		
	9G1 426 069 30 8C0	Espresso	-NE,BY		
	9G1 426 069 30 9H6	Luxor beige	-UG,UJ,UQ,UZ		
(5)	9G1 426 980 13	Selector knob		1	PR: XHJ
		Carbon			
	9G1 426 980 13 8YR	Black	-AG,AJ,AQ,AZ, BT,BM,TD,99, GF,GG,GQ,GR, GW,GY		
	9G1 426 980 13 OG6	Bordeaux red	-LZ		
	9G1 426 980 13 PL1	agate grey	-FG,FJ,FQ,FZ		
	9G1 426 980 13 OH7	Graphite Blue	-HZ,BG,TG		
	9G1 426 980 13 OK6	saddle brown	-SZ		
	9G1 426 980 13 8C0	Espresso	-NE,BY		
	9G1 426 980 13 9H6	Luxor beige	-UG,UJ,UQ,UZ		
(5)	9G1 426 980 14	Selector knob		1	PR: XHD
		mahagoni			
	9G1 426 980 14 8YR	Black	-AG,AJ,AQ,AZ, BT,BM,TD,99, GF,GG,GQ,GR, GW,GY		
	9G1 426 980 14 OG6	Mahogany/bordeaux red	-LZ		
	9G1 426 980 14 PL1	Mahogany/agate grey	-FG,FJ,FQ,FZ		
	9G1 426 980 14 OH7	Mahogany/graphite blue	-HZ,BG,TG		
	9G1 426 980 14 OK6	Mahogany/saddle brown	-SZ		
	9G1 426 980 14 8C0	Mahogany/espresso	-NE,BY		
	9G1 426 980 14 9H6	Mahogany/luxor beige	-UG,UJ,UQ,UZ		
(5)	9G1 426 980 15	Selector knob		1	PR: XYH
		aluminium			
	9G1 426 980 15 8YR	Black	-AG,AJ,AQ,AZ, BT,BM,TD,99, GF,GG,GQ,GR, GW,GY		
	9G1 426 980 15 OG6	Bordeaux red	-LZ		
	9G1 426 980 15 PL1	agate grey	-FG,FJ,FQ,FZ		
	9G1 426 980 15 OH7	Graphite Blue	-HZ,BG,TG		
	9G1 426 980 15 OK6	saddle brown	-SZ		
	9G1 426 980 15 8C0	Espresso	-NE,BY		
	9G1 426 980 15 9H6	Luxor beige	-UG,UJ,UQ,UZ		
(5)	9G1 426 980 11	selector lever		1	PR: XYA
		aluminium			
	9G1 426 980 11 8YR	Black	-AG,AJ,AQ,AZ, BT,BM,TD,99,		



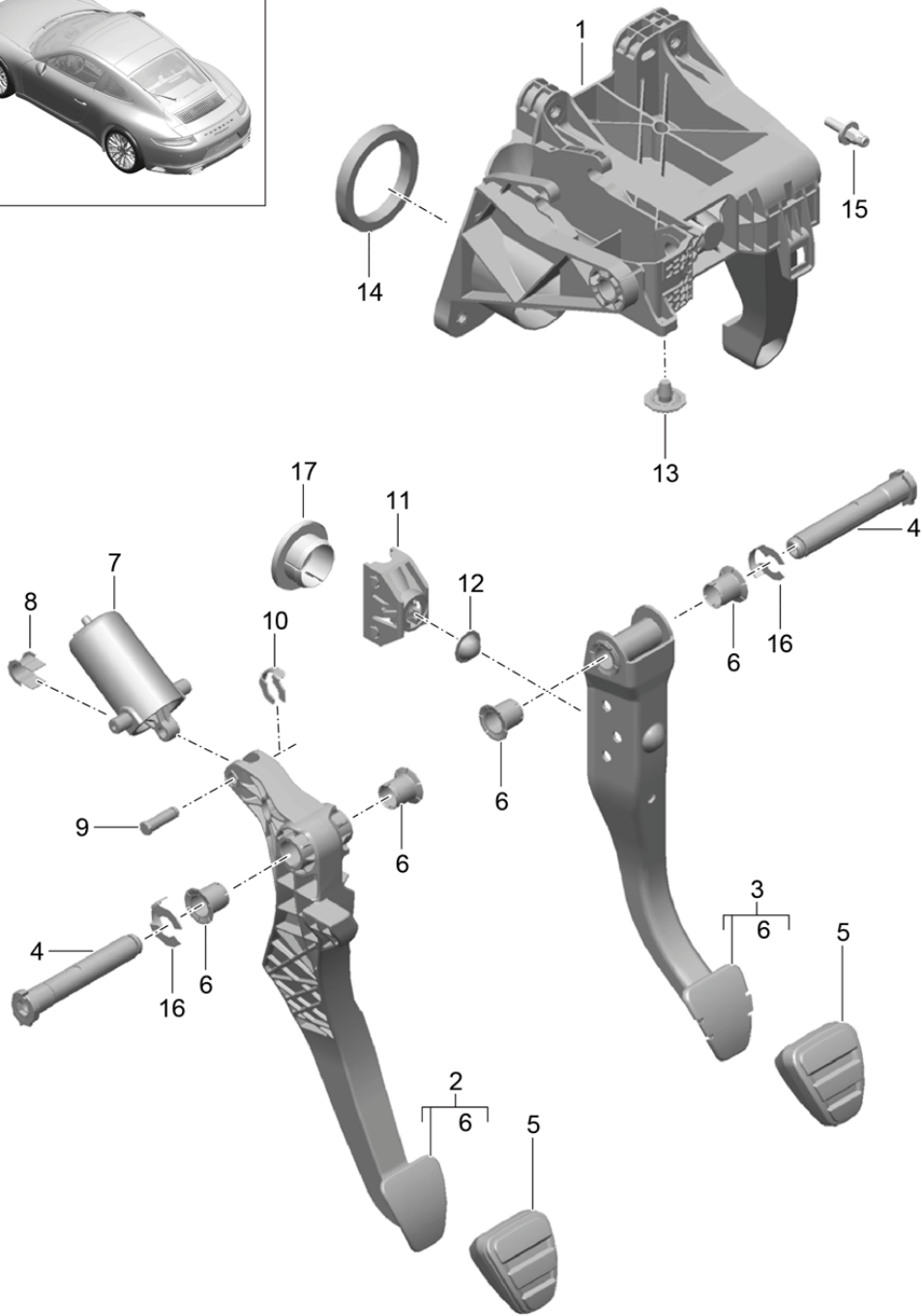
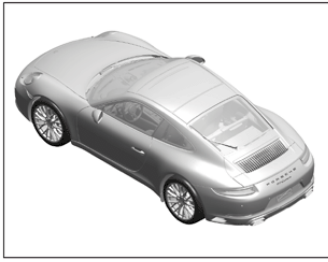
Model: 991-16

Model life 2017>>

Pos	Part Number	Description	Remark	Qty	Model
	9G1 426 980 11 OG6	Bordeaux red	GF,GG,GQ,GR, GW,GY		
	9G1 426 980 11 PL1	agate grey	-LZ		
	9G1 426 980 11 OH7	Graphite Blue	-FG,FJ,FQ,FZ		
	9G1 426 980 11 OK6	saddle brown	-HZ,BG,TG		
	9G1 426 980 11 8C0	Espresso	-SZ		
	9G1 426 980 11 9H6	Luxor beige	-NE,BY		
(5)	9G1 426 980 16	selector lever	-UG,UJ,UQ,UZ	1	PR:XLN
	9G1 426 980 16 2W0	Alcantara			
6	9G1 426 033 10	Cable		1	

Model: 991-16

Model life 2017>>



Model: 991-16 Model life 2017>>

Pos	Part Number	Description	Remark	Qty	Model
		Pedals			
		brake pedal			
1	991 423 065 01	Clutch pedal		1	PR:098
(1)	991 423 066 00	Bracket		1	PR:099
2	991 423 039 01	Clutch pedal		1	PR:098,487
		also use:		1	
(2)	991 423 040 01	Pedal cap		1	PR:099,487
		Clutch pedal		1	
		also use:		1	
3	991 423 041 01	Pedal cap		1	PR:098,487
		brake pedal		1	
		also use:		1	
(3)	991 423 042 01	Pedal cap		1	PR:099,487
		brake pedal		1	
		also use:		1	
(3)	991 423 041 21	Pedal cap		1	PR:098,250
		brake pedal		1	
		also use:		1	
(3)	991 423 042 21	Pedal cap		1	PR:099,250
		brake pedal		1	
		also use:		1	
4	991 423 283 00	Pedal cap		1	PR:098
		bearing pin			
(4)	991 423 284 00	Clutch pedal		1	PR:099
		brake pedal			
5	997 423 910 00	bearing pin		2	PR:-XXV,487
(5)	991 423 111 01	pad for		2	PR:XXV,487
(5)	997 423 912 00	brake and clutch pedals		1	PR:-XXV,250
(5)	991 423 112 00	Pedal cap		1	PR:XXV,250
6	7PP 721 113 A	Cap for foot brake pedal		4	PR:487,250
		Pedal cap		2	
7	991 423 081 11	bush		1	PR:487
8	955 423 581 00	Servo spring		2	PR:487
		bearing shell			
9	996 423 315 06	Servo spring		1	PR:487
		Pin			
(9)	992 721 737	Servo spring	>> - 24.06.2016	1	
		D			
		Pin			
10	999 166 022 01	Servo spring	D - 27.06.2016>>	1	PR:487
		Kl-lock			
		Pin			
(10)	N 908 874 02	D	>> - 24.06.2016	1	
		Kl-lock			
		Pin			
11	1J0 721 165	D - 27.06.2016>>		1	
		Support			
12	955 423 341 00	push rod		1	
		bearing shell			
13	955 423 720 00	Support		1	PR:487
14	991 423 275 00	Stop buffer		1	PR:098
		Seal			
(14)	991 423 276 01	Firewall		1	PR:099
		Seal			
15	999 080 072 01	Firewall		1	
		Fastening screw			
16	999 166 092 01	M 8 X 26		2	PR:098,099
		Kl-lock			

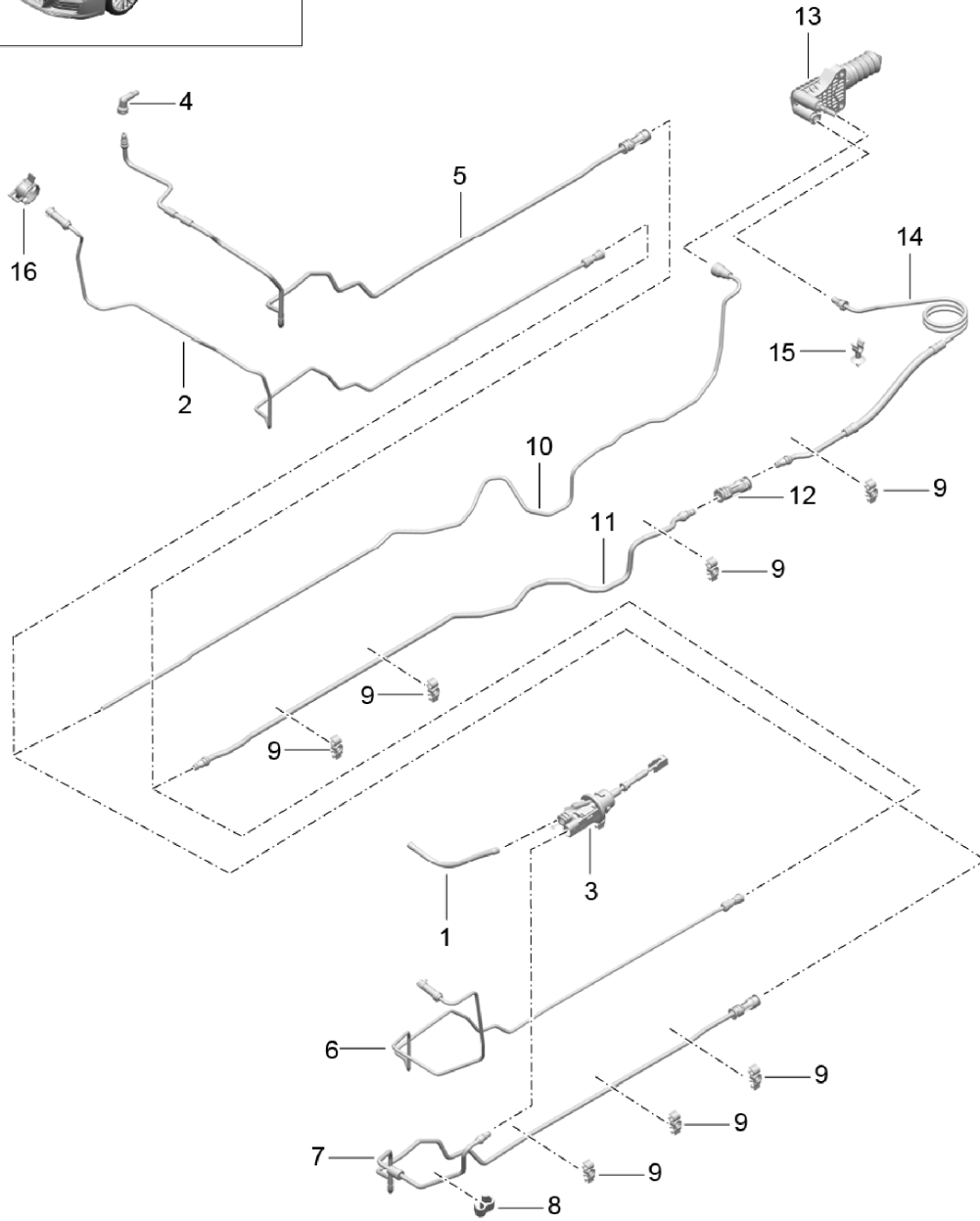
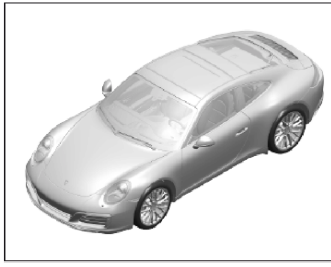
Model: 991-16

Model life 2017&gt;&gt;

Pos	Part Number	Description	Remark	Qty	Model
17	991 423 291 00	KL 16 Bungs Firewall		1	PR:250

Model: 991-16

Model life 2017>>



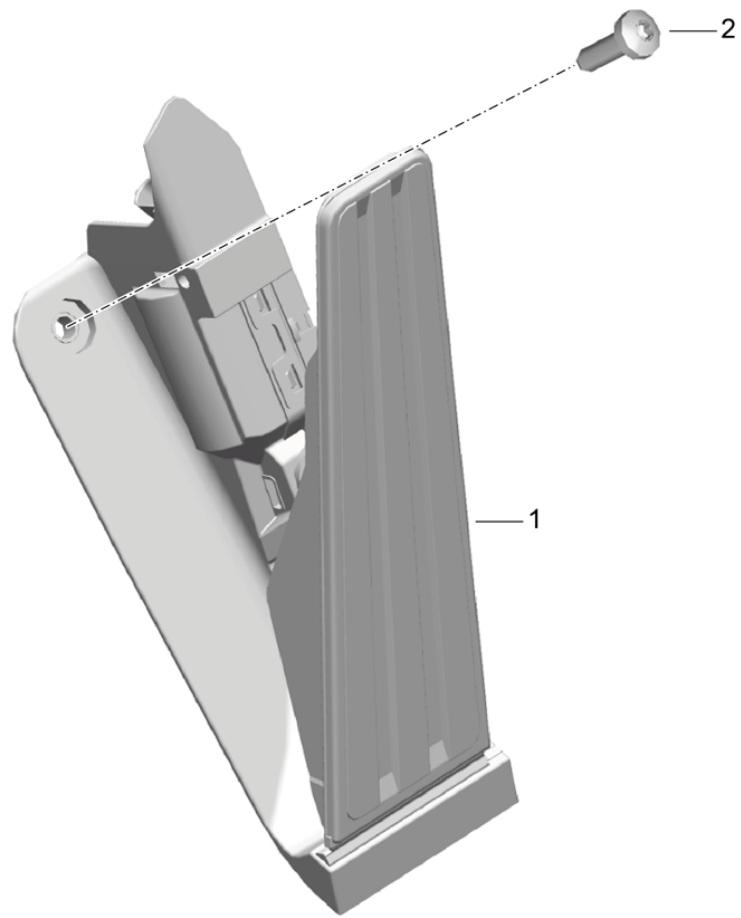
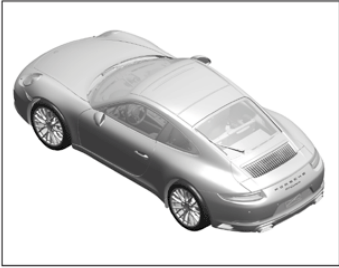
Model: 991-16

Model life 2017>>

Pos	Part Number	Description	Remark	Qty	Model
		clutch actuation Clutch master cylinder Clutch slave cylinder Lines			PR:487
1	991 423 137 03	suction line		1	PR:098
(1)	991 423 138 02	Clutch master cylinder suction line		1	PR:099
2	991 423 190 10	Clutch master cylinder		1	PR:099
3	991 423 171 00	Breather line		1	PR:099
4	991 423 151 00	Clutch master cylinder		1	PR:099
5	991 423 151 00	Elbow fitting		1	PR:099
6	991 423 108 10	Clutch tube		1	PR:099
7	991 423 191 10	Breather line		1	PR:098
8	991 423 107 10	Clutch tube		1	PR:098
9	999 507 567 40	Cable holder		6	PR:098
10	991 423 514 02	Bracket		8	
11	991 423 193 10	return line		1	
12	991 423 113 04	Clutch tube		1	
13	991 423 153 00	Sleeve		1	
14	9G1 116 238 01	Clutch slave cylinder		1	
15	991 423 377 10	Clutch hose		1	
16	999 507 286 40	Bracket		1	
		Clutch hose			
		Gearbox			
16	N 107 160 01	Spring band clamp		1	

Model: 991-16

Model life 2017>>



Model: 991-16

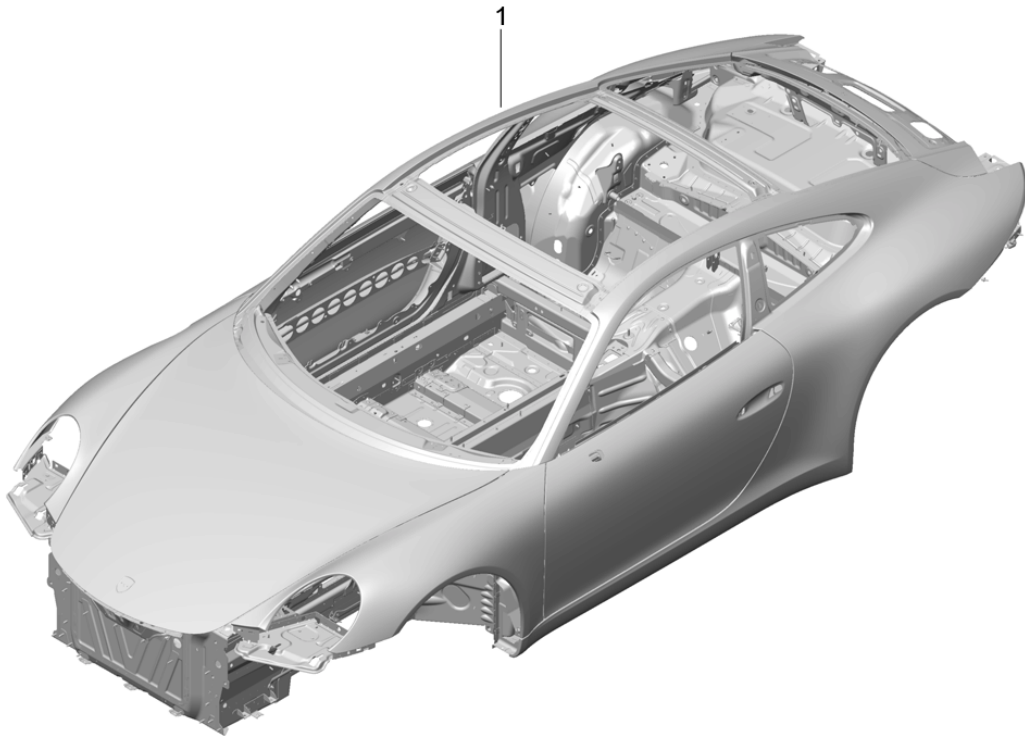
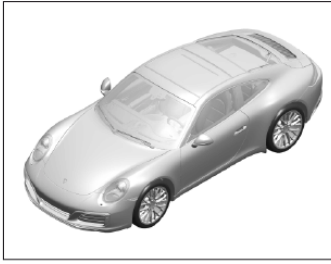
Model life 2017>>

Pos	Part Number	Description	Remark	Qty	Model
1	298 721 507 K	Pedals throttle control		1	PR: -XXV
(1)	298 721 507 L	throttle control		1	PR: XXV
2	999 073 378 05	throttle control flat round head bolt M 6 X 20		1	



Model: 991-16

Model life 2017>>

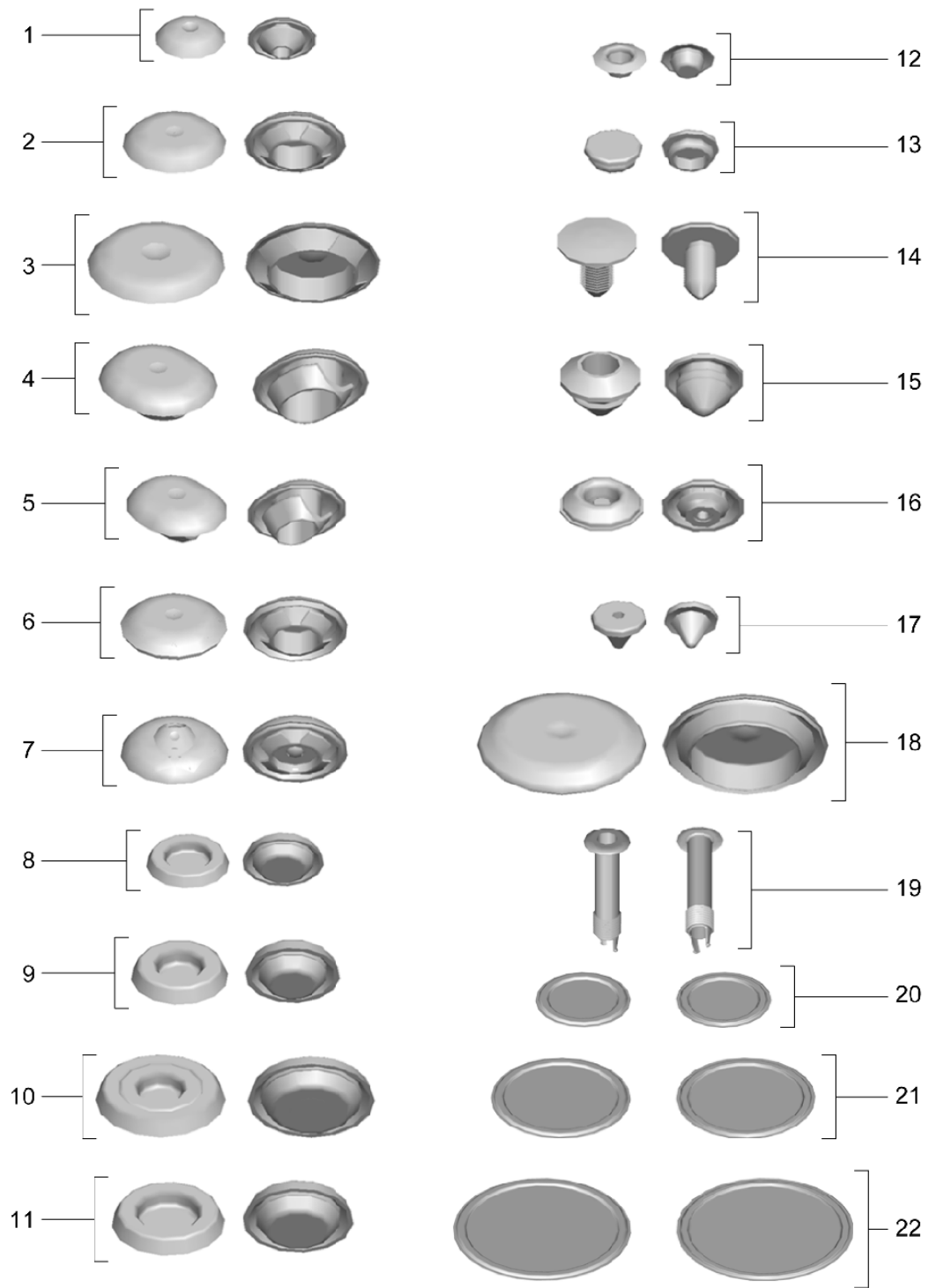


Model: 991-16 Model life 2017>>

Pos	Part Number	Description	Remark	Qty	Model
-		Car body primed Sealed			
		with: Underbody protection			
		with: Doors/lids/wings			
-		BodysHELLS can only only available from current Model year available			
-		The data required for your order Can be found on the Vehicle data carrier in Vehicle wallet Please indicate this data in your order Vehicle data carrier Vehicle Ident. No. Order type Country equipment Optional extras Additional applications Please state the colour			
A					
B					
C					
D					
E					
F					
G					
1	991 500 001 00	Car body Coupe	lhd	1	PR:098
	991 500 001 00 GRV	primed			
(1)	991 500 001 04	Car body Coupe	lhd	1	PR:011,098
	991 500 001 04 GRV	primed			
(1)	991 500 001 01	Car body Coupe	rhd	1	PR:099
	991 500 001 01 GRV	primed			
(1)	991 500 001 05	Car body Coupe	rhd	1	PR:099,011
	991 500 001 05 GRV	primed			
(1)	991 500 001 02	Car body Cabriolet	lhd	1	PR:098
	991 500 001 02 GRV	primed			
(1)	991 500 001 06	Car body Cabriolet	lhd	1	PR:098,011
	991 500 001 06 GRV	primed			
(1)	991 500 001 03	Car body Cabriolet	rhd	1	PR:099
	991 500 001 03 GRV	primed			
(1)	991 500 001 07	Car body Cabriolet	rhd	1	PR:099,011
	991 500 001 07 GRV	primed			
(1)	991 500 001 08	Car body Targa	lhd	1	PR:098
	991 500 001 08 GRV	primed			
(1)	991 500 001 09	Car body Targa	rhd	1	PR:099
	991 500 001 09 GRV	primed			

Model: 991-16

Model life 2017>>



Model: 991-16

Model life 2017&gt;&gt;

Pos	Part Number	Description	Remark	Qty	Model
1	955 504 281 00	Bungs Bungs Hole 10 MM		X	
2	955 504 182 00	Bungs Hole 20 MM		X	
3	955 504 183 00	Bungs Hole 30 MM		X	
4	955 504 184 00	Bungs Hole 20 MM X 25 MM		X	
5	955 504 185 00	Bungs Hole 15 MM X 20 MM		X	
6	955 504 187 00	Bungs Hole 20 MM		X	
7	955 512 188 00	Water drain valve Hole 20 MM		X	
8	955 511 196 00	Bungs Hole 15 MM		X	
9	999 703 196 40	End cap Hole 20 MM		X	
10	999 703 195 40	Rubber grommet Hole 30 MM		X	
11	999 703 543 40	End cap Hole 25 MM		X	
12	999 703 462 40	End cap Hole 10 MM		X	
13	999 703 421 40	Grommet Hole 15 MM		X	
14	999 507 637 40	Bungs Hole 10 MM		X	
15	999 703 466 40	Bungs Hole 15 MM		X	
16	999 703 556 40	End cap Hole 15 MM		X	
17	999 703 105 50	Bungs Hole 10 MM		X	
18	N 909 649 01	Sealing cap Hole 40 MM		X	
19	991 504 667 00	drain tube Hole		X	Cabrio Targa
20	991 504 893 00	End cap Hole 75 MM		X	
20	991 504 893 00	End cap Hole 75 MM		X	

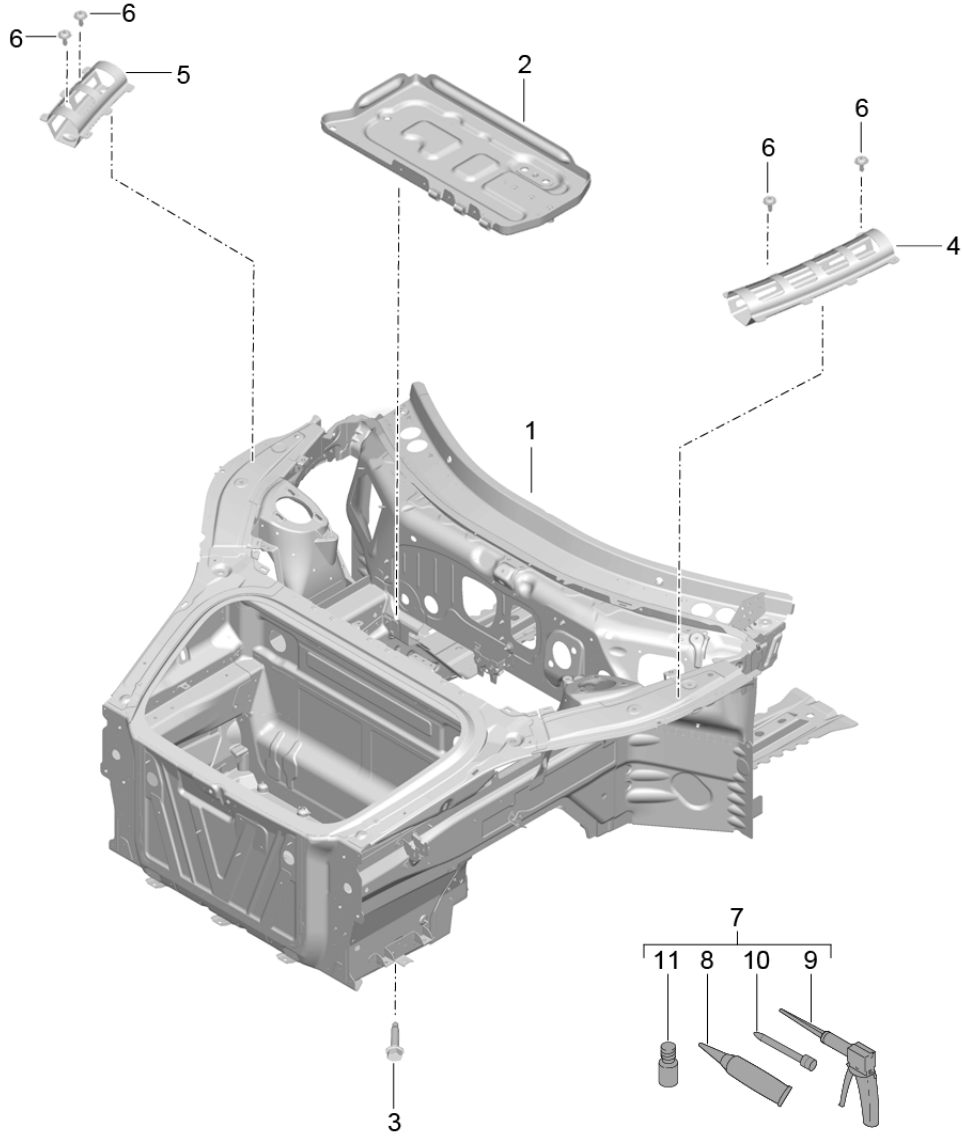
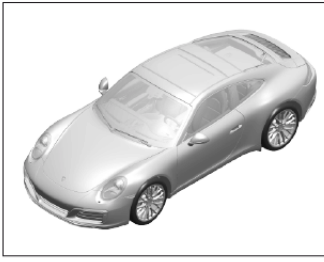
Model: 991-16

Model life 2017&gt;&gt;

Pos	Part Number	Description	Remark	Qty	Model
21	991 504 895 00	End cap Hole 110 MM		X	
20	991 504 893 00	End cap Hole 75 MM		X	
21	991 504 895 00	End cap Hole 110 MM		X	
22	991 504 897 00	End cap Hole 140 MM		X	

Model: 991-16

Model life 2017>>



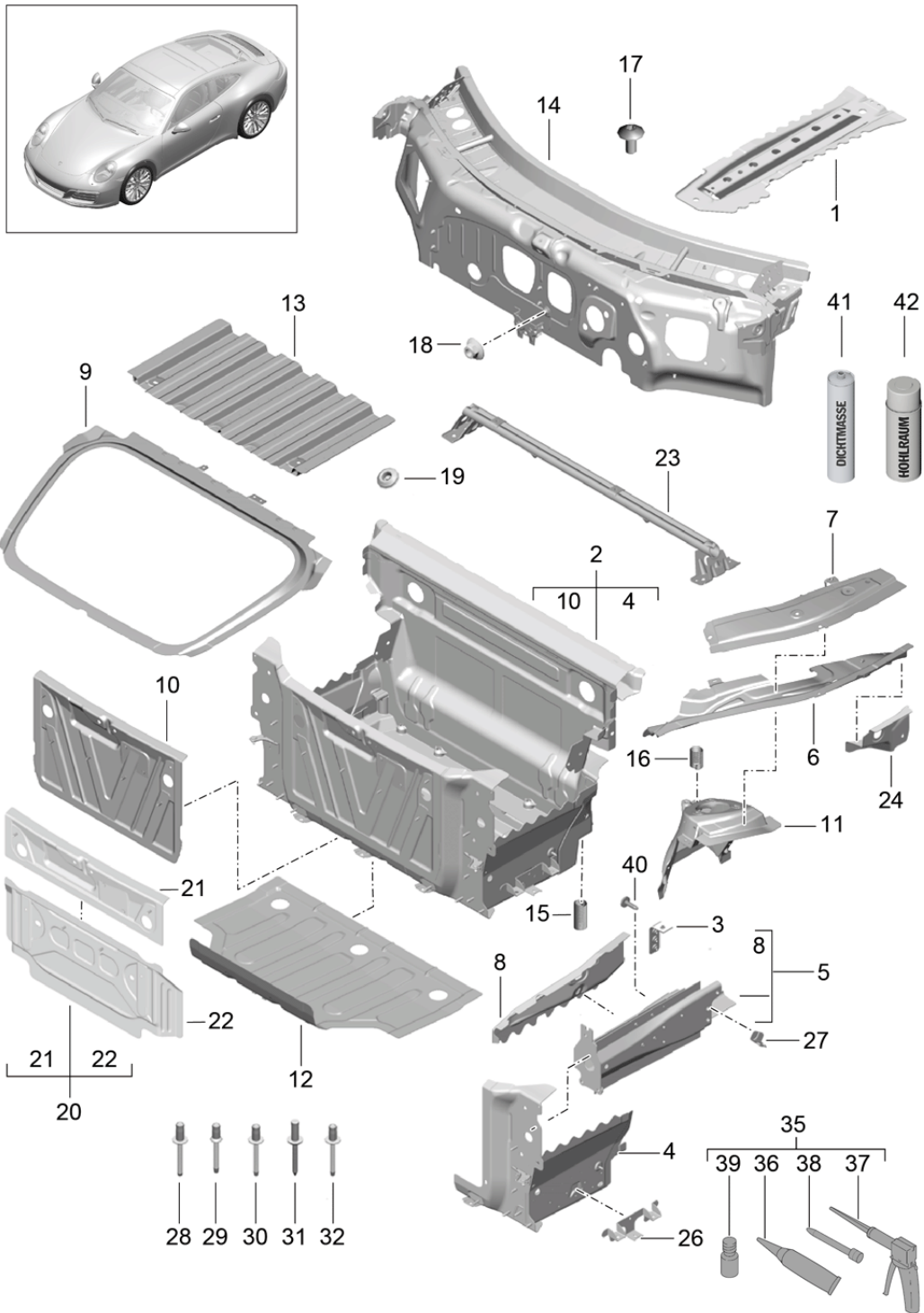
Model: 991-16

Model life 2017>>

Pos	Part Number	Description	Remark	Qty	Model
1	991 501 991 00	Front end (complete) Front end	lhd	1	C2 PR:098
	991 501 991 00 GRV	primed also use: Processing instructions See technical manual	000 043 206 30		
1	991 501 991 01	Front end	lhd	1	C2 GTS/C4 PR:098,011
	991 501 991 01 GRV	primed also use: Processing instructions See technical manual	000 043 206 30		
(1)	991 501 991 02	Front end	rhd	1	C2 PR:099
	991 501 991 02 GRV	primed also use: Processing instructions See technical manual	000 043 206 30		
(1)	991 501 991 03	Front end	rhd	1	C2 GTS/C4 PR:099,011
	991 501 991 03 GRV	primed also use: Processing instructions See technical manual	000 043 206 30		
2	9P1 804 825	Battery console	lhd	1	PR:098
(2)	9P1 804 825 A	Battery console	rhd	1	PR:099
(2)	9P1 804 825 B	Battery console	lhd	1	PR:098
(2)	9P1 804 825 C	Battery console	rhd	1	PR:099
3	N 102 400 03	Hex collared bolt M8X32		4	
4	991 504 775 01	deformation element	left	1	
	991 504 775 01 GRV	primed			
5	991 504 776 01	deformation element	right	1	
	991 504 776 01 GRV	primed			
6	999 073 348 09	fillister hd. bolt M6 X 20		X	
7	000 043 206 29	Adhesive set Body comprising:		X	
8	000 043 206 30	adhesive		1	
9	000 043 206 31	Double cartridge gun		1	
10	000 043 206 32	emulsion tube		1	
11	000 043 206 33	activator		1	

Model: 991-16

Model life 2017>>





Model: 991-16 Model life 2017>>

Pos	Part Number	Description	Remark	Qty	Model
1	991 501 125 00	Front end Individual parts Cross panel	left rear	1	
(1)	991 501 125 00 GRV	primed			
	991 501 126 00	Cross panel	right rear	1	
	991 501 126 00 GRV	primed			
2	991 501 920 00	Luggage compartment liner		1	C2 PR:-011
	991 501 920 00 GRV	primed			
(2)	991 501 920 01	Luggage compartment liner	also use: 000 043 206 30	1	C4
	991 501 920 01 GRV	primed			
4	991 501 911 00	Side part Luggage compartment	left	1	C2 PR:-011
	991 501 911 00 GRV	primed			
(4)	991 501 911 01	Side part Luggage compartment	also use: 000 043 206 30 left	1	C4
	991 501 911 01 GRV	primed			
(4)	991 501 912 00	Side part Luggage compartment	also use: 000 043 206 30 right	1	C2 PR:-011
	991 501 912 00 GRV	primed			
(4)	991 501 912 01	Side part Luggage compartment	also use: 000 043 206 30 right	1	C4
	991 501 912 01 GRV	primed			
5	991 501 913 01	Carrier Sub-part	left	1	
	991 501 913 01 GRV	primed			
(5)	991 501 914 01	Carrier Sub-part	also use: 000 043 206 30 right	1	
	991 501 914 01 GRV	primed			
6	991 501 387 00	Side member	left upper outer	1	
	991 501 387 00 GRV	primed			
(6)	991 501 388 00	Side member	right upper outer	1	
	991 501 388 00 GRV	primed			
7	991 501 397 00	Side member	left upper	1	
	991 501 397 00 GRV	primed			
(7)	991 501 398 00	Side member	also use: 000 043 206 30 right upper	1	
	991 501 398 00 GRV	primed			
8	991 501 535 01	Side plate for wheel arch	left	1	
	991 501 535 01 GRV	primed			
(8)	991 501 536 01	Side plate for wheel arch	right	1	
	991 501 536 01 GRV	primed			
9	991 501 231 02	Sealing frame Luggage compartment		1	
	991 501 231 02 GRV	primed			
10	991 501 431 02	Cross panel		1	C2

Model: 991-16

Model life 2017>>

Pos	Part Number	Description	Remark	Qty	Model
		Of			
11	991 501 431 02 GRV	primed			
	991 501 477 00	Suspension strut mounting	left	1	
	991 501 477 00 GRV	primed			
(11)	991 501 478 00	Suspension strut mounting	right	1	
	991 501 478 00 GRV	primed			
12	991 501 479 00	boot floor plate		1	C2
	991 501 479 00 GRV	primed			
		also use:	000 043 206 30		
(12)	991 501 479 02	boot floor plate		1	C4
	991 501 479 02 GRV	primed			
		also use:	000 043 206 30		
13	991 504 303 00	Insert		1	
	991 504 303 00 GRV	primed			
(13)	991 504 303 01	Insert		1	
	991 504 303 01 GRV	primed			
14	991 502 331 00	Firewall	lhd	1	PR:098
			upper		
14	991 502 331 00 GRV	primed			
	991 502 331 01	Firewall	rhd	1	PR:099
			upper		
	991 502 331 01 GRV	primed			PR:099
15	999 504 266 01	threaded insert M12x1,5x28 Cross member		X	
16	999 504 262 01	Luggage compartment threaded insert M8x15 Support		X	
17	999 073 549 01	Spring strut Oval-head screw M 8 X 16		X	
18	N 907 988 05	Hexagon collar nut M8		1	
19	999 703 556 40	End cap 14,5x0,6		1	
20	991 501 431 01	Cross panel		1	
	991 501 431 01 GRV	Of primed			
		also use:	000 043 206 30		
21	991 501 599 00	Cross panel	upper	1	
	991 501 599 00 GRV	primed			
		also use:	000 043 206 30		
22	991 501 531 01	Cross panel	lower	1	
	991 501 531 01 GRV	primed			
		also use:	000 043 206 30		
23	9P1 804 471	Cross member		1	
24	991 502 547 00	Side member	left	1	
	991 502 547 00 GRV	primed			
(24)	991 502 548 00	Side member	right	1	
	991 502 548 00 GRV	primed			
26	991 501 671 00	Bracket		1	
	991 501 671 00 GRV	primed	lower		
27	991 501 815 00	Brake line bracket	left	1	
	991 501 815 00 GRV	primed			
(27)	991 501 816 00	Brake line bracket	right	1	
	991 501 816 00 GRV	primed			
-		see workshop manual			
28	999 190 227 01	Pop rivet 6,5 X 12,5		X	
29	999 190 228 01	Pop rivet 6,5 X 11,5		X	

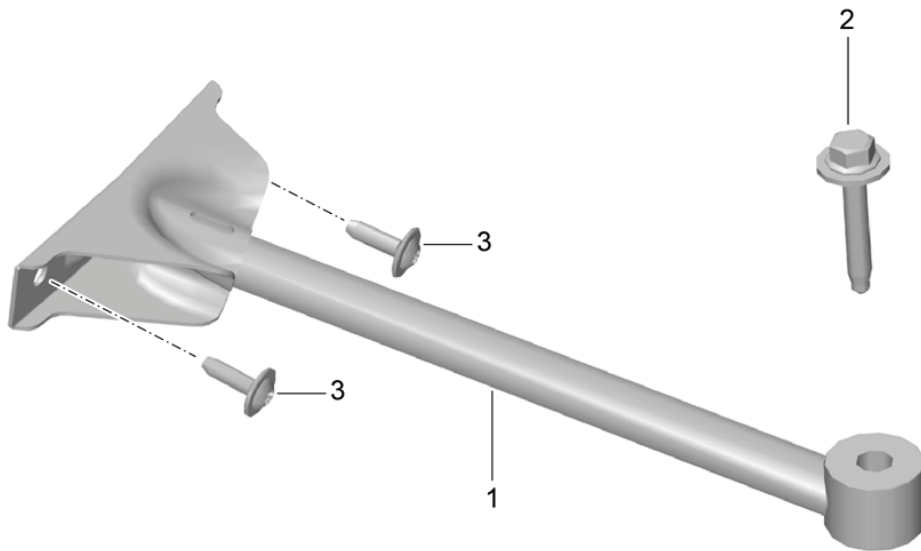
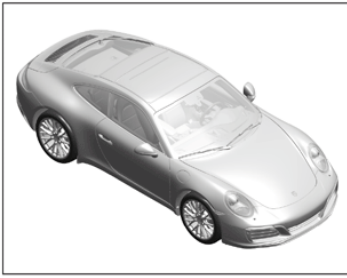
Model: 991-16

Model life 2017&gt;&gt;

Pos	Part Number	Description	Remark	Qty	Model
30	999 190 229 01	Pop rivet 6,5 X 10,5		X	
31	999 190 230 01	Pop rivet 6,5 X 14,5		X	
32	N 107 608 01	clinch pin		X	
35	000 043 206 29	Adhesive set		1	
36	000 043 206 30	adhesive		1	
37	000 043 206 31	Double cartridge gun		1	
38	000 043 206 32	emulsion tube		1	
39	000 043 207 70	activator		1	
40	999 073 577 01	Torx screw		X	
41	000 043 305 32	sealant		1	
42	000 043 204 85	cavity preservative agent		1	

Model: 991-16

Model life 2017>>



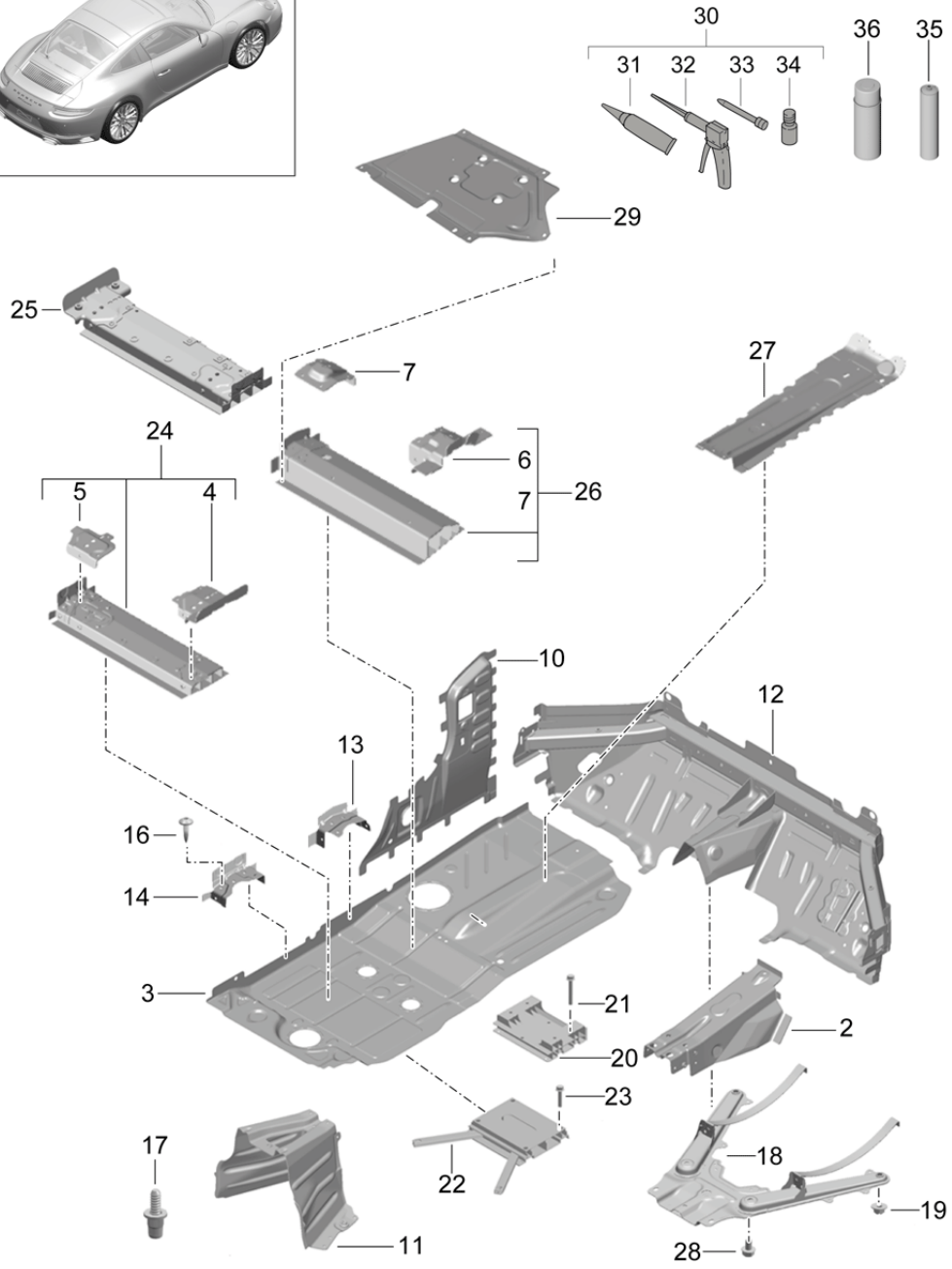
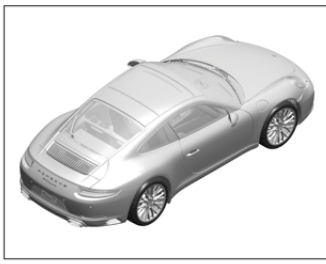
Model: 991-16

Model life 2017>>

Pos	Part Number	Description	Remark	Qty	Model
1	991 504 537 01	Dome strut			
(1)	991 504 538 01	Brace	left	1	
2	N 105 728 02	Brace	right	1	
		bolt,hex.hd.with shoul.(combi)		1	
		M8X50			
3	999 073 322 02	fillister hd. bolt		4	
		M6X20			

Model: 991-16

Model life 2017>>



Model: 991-16 Model life 2017>>

Pos	Part Number	Description	Remark	Qty	Model
2	991 501 309 00	Floor Support	center front	1	
(3)	991 501 309 00 GRV	primed			
	991 501 251 03	Floor	left outer	1	
	991 501 251 03 GRV	primed			
(3)	991 501 252 03	Floor	also use: 000 043 206 30 right outer	1	
	991 501 252 03 GRV	primed			
4	991 501 645 00	Reinforcement Seat support	also use: 000 043 206 30 left rear, inner	1	
	991 501 645 00 GRV	primed			
(4)	991 501 646 00	Reinforcement Seat support	right rear, inner	1	
	991 501 646 00 GRV	primed			
5	991 501 581 00	Reinforcement Seat support	left rear outer	1	
	991 501 581 00 GRV	primed			
(5)	991 501 582 00	Reinforcement Seat support	right rear outer	1	
	991 501 582 00 GRV	primed			
6	991 501 687 00	Reinforcement Seat support	left rear, inner	1	
	991 501 687 00 GRV	primed			
(6)	991 501 688 00	Reinforcement Seat support	right rear, inner	1	
	991 501 688 00 GRV	primed			
7	991 501 583 00	Reinforcement Seat support	front outer	2	
	991 501 583 00 GRV	primed			
10	991 502 639 00	Web plate A-pillar	left	1	
	991 502 639 00 GRV	primed			
(10)	991 502 640 00	Web plate A-pillar	also use: 000 043 206 30 right	1	
	991 502 640 00 GRV	primed			
11	991 501 367 00	Reinforcement	also use: 000 043 206 30 rear	1	
	991 501 367 00 GRV	primed			
12	991 501 951 08	Firewall	lhd lower	1	PR:098
	991 501 951 08 GRV	primed			
(12)	991 501 951 09	Firewall	also use: 000 043 206 30 rhd lower	1	PR:099
	991 501 951 09 GRV	primed			
13	991 501 893 00	angle	also use: 000 043 206 30 left front	1	
	991 501 893 00 GRV	primed			
(13)	991 501 894 00	angle	right front	1	
	991 501 894 00 GRV	primed			
14	991 501 891 00	angle	left rear	1	
	991 501 891 00 GRV	primed			
(14)	991 501 892 00	angle	right rear	1	

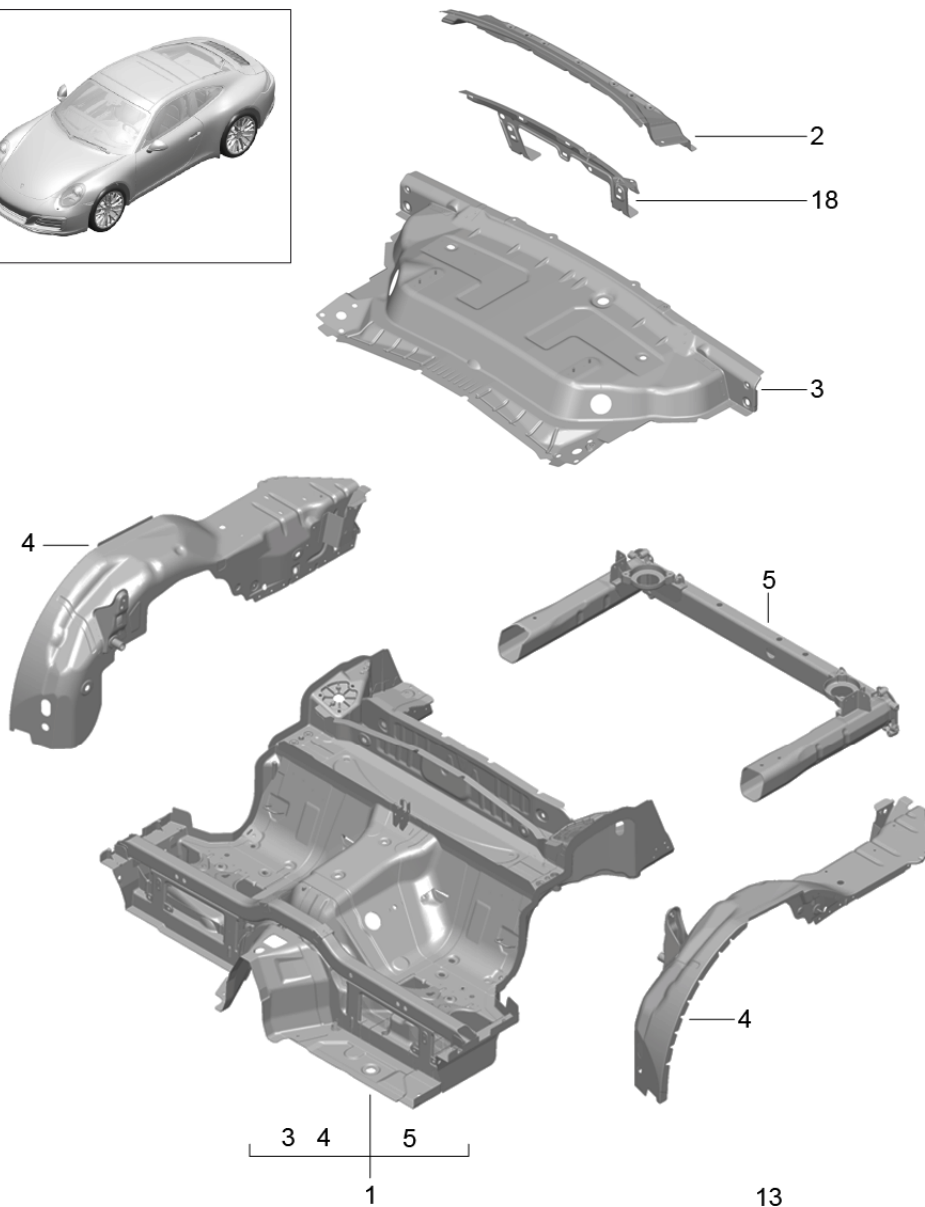
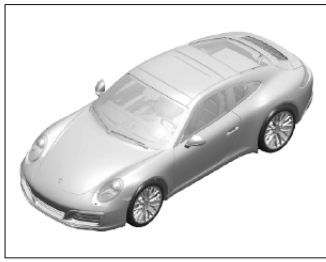
Model: 991-16 Model life 2017>>

Pos	Part Number	Description	Remark	Qty	Model
16	991 501 892 00 GRV 999 073 917 01	primed Oval-head screw M5X20		X	
17	999 190 501 01	Pin T6		X	
18	991 504 233 02	Support frame Front end		1	
19	999 084 648 01	Hexagon nut M 10		4	
20	991 504 823 00	Transverse strut tunnel		1	
21	900 378 255 01	Hexagon bolt M 10 X 70		4	
22	991 504 333 00	Brace transmission carrier	rear	1	
23	999 072 063 02	Hexagon bolt M 10 X 40		6	
24	991 501 993 90	Seat support	left	1	
	991 501 993 90 GRV	primed	rear		
25	991 501 994 90	Seat support	right	1	
	991 501 994 90 GRV	primed	rear		
26	991 501 453 00	Seat support	left	1	
	991 501 453 00 GRV	primed	front		
(26)	991 501 454 00	Seat support	right	1	
	991 501 454 00 GRV	primed	front		
27	991 501 297 00	Connecting piece	left	1	
	991 501 297 00 GRV	primed Carrier			
(27)	991 501 298 00	Connecting piece	right	1	
	991 501 298 00 GRV	primed Carrier			
28	900 378 350 01	Hexagon bolt M10X16		1	
29	991 504 857 00	Bracket Bottom plate	left	1	
	991 504 857 00 GRV	primed			
(29)	991 504 658 00	Bracket Bottom plate	right	1	
	991 504 658 00 GRV	primed			
30	000 043 206 29	Adhesive set		1	
31	000 043 206 30	adhesive		1	
32	000 043 206 31	Double cartridge gun		1	
33	000 043 206 32	emulsion tube		1	
34	000 043 207 70	activator		1	
35	000 043 305 32	sealant		1	
36	000 043 204 85	cavity preservative agent		1	



Model: 991-16

Model life 2017>>



- 12 — [nut]
- 11 — [washer]
- 10 — [nut]
- 6 — [screw]
- 7 — [nut]
- 8 — [washer]
- 9 — [nut]

- 13 — [bracket]
- 14 — [screw]
- 15 — [screw]
- 16 — [screw]
- 17 — [nut]

Model: 991-16 Model life 2017>>

Pos	Part Number	Description	Remark	Qty	Model
1	991 501 961 05 991 501 961 05 GRV	Rear end Rear end primed		1	Coupe
(1)	991 501 961 06 991 501 961 06 GRV	Rear end Rear end primed	also use: 000 043 206 30	1	Cabrio
(1)	991 501 961 07 991 501 961 07 GRV	Rear end Rear end primed	also use: 000 043 206 30	1	Targa
2	991 502 409 00 991 502 409 00 GRV	Cross member Cross member primed		1	Coupe
(2)	991 502 509 01 991 502 509 01 GRV	Cross member Cross member primed		1	Cabrio
3	991 502 421 03 991 502 421 03 GRV	Convertible top tray primed		1	Targa Coupe
(3)	991 502 421 04 991 502 421 04 GRV	tray Convertible top primed	also use: 000 043 206 30	1	Cabrio
(3)	991 502 421 05 991 502 421 05 GRV	tray Convertible top primed	also use: 000 043 206 30	1	Targa
4	991 501 973 07 991 501 973 07 GRV	Wheel housing  (complete) primed	also use: 000 043 206 30 left inner	1	Coupe
(4)	991 501 974 07 991 501 974 07 GRV	Wheel housing  (complete) primed	also use: 000 043 206 30 right inner	1	Coupe
(4)	991 501 973 08 991 501 973 08 GRV	Wheel housing  (complete) primed	also use: 000 043 206 30 left inner	1	Cabrio
(4)	991 501 974 08 991 501 974 08 GRV	Wheel housing  (complete) primed	also use: 000 043 206 30 right inner	1	Cabrio
(4)	991 501 973 09 991 501 973 09 GRV	Wheel housing  (complete) primed	also use: 000 043 206 30 left inner	1	Targa
(4)	991 501 974 09 991 501 974 09 GRV	Wheel housing  (complete) primed	also use: 000 043 206 30 right inner	1	Targa
5	991 501 903 01 991 501 903 01 GRV	Frame comprising: Cross member engine mounting Carrier primed	also use: 000 043 206 30	1	

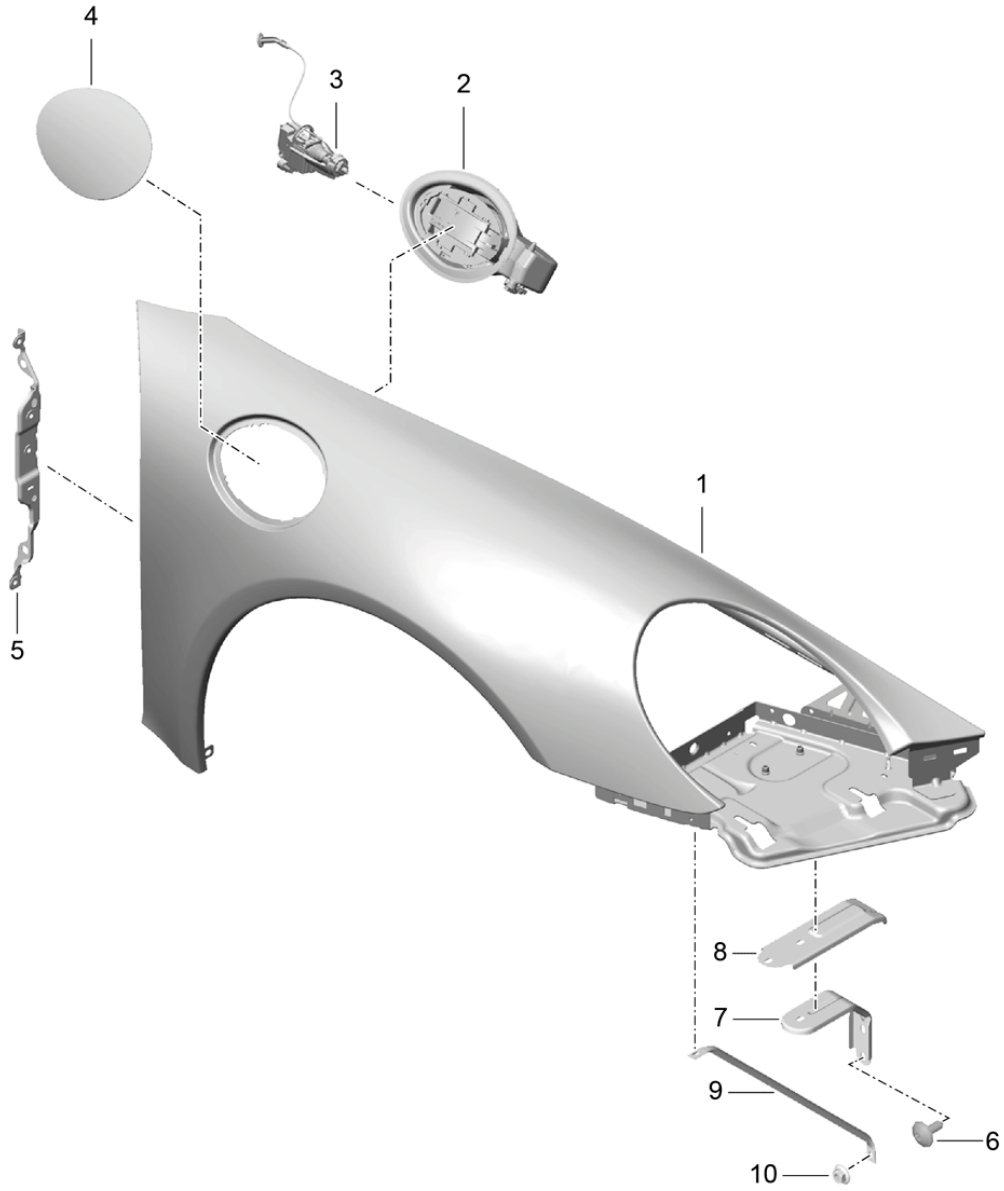
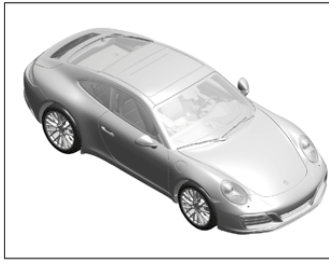
Model: 991-16

Model life 2017>>

Pos	Part Number	Description	Remark	Qty	Model
6	999 073 917 01	Oval-head screw M5X20	also use: 000 043 206 30	X	
7	999 500 196 01	Nut M8		X	
8	999 025 285 31	Washer 8,4X20X1,5		X	
9	999 504 267 01	threaded insert M10X27		X	
10	999 504 268 01	threaded insert M10X20		X	
11	999 504 263 01	threaded insert M12X1,5X22		X	
12	999 504 262 01	threaded insert M8X15		X	
13	000 043 206 29	Adhesive set Body		X	
14	000 043 206 30	comprising: adhesive		1	
15	000 043 206 31	Double cartridge gun		1	
16	000 043 206 32	emulsion tube		1	
17	000 043 206 33	activator		1	
18	991 502 573 00	Cross member for tray		1	Coupe
	991 502 573 00 GRV	primed	also use: 000 043 206 30		

Model: 991-16

Model life 2017>>



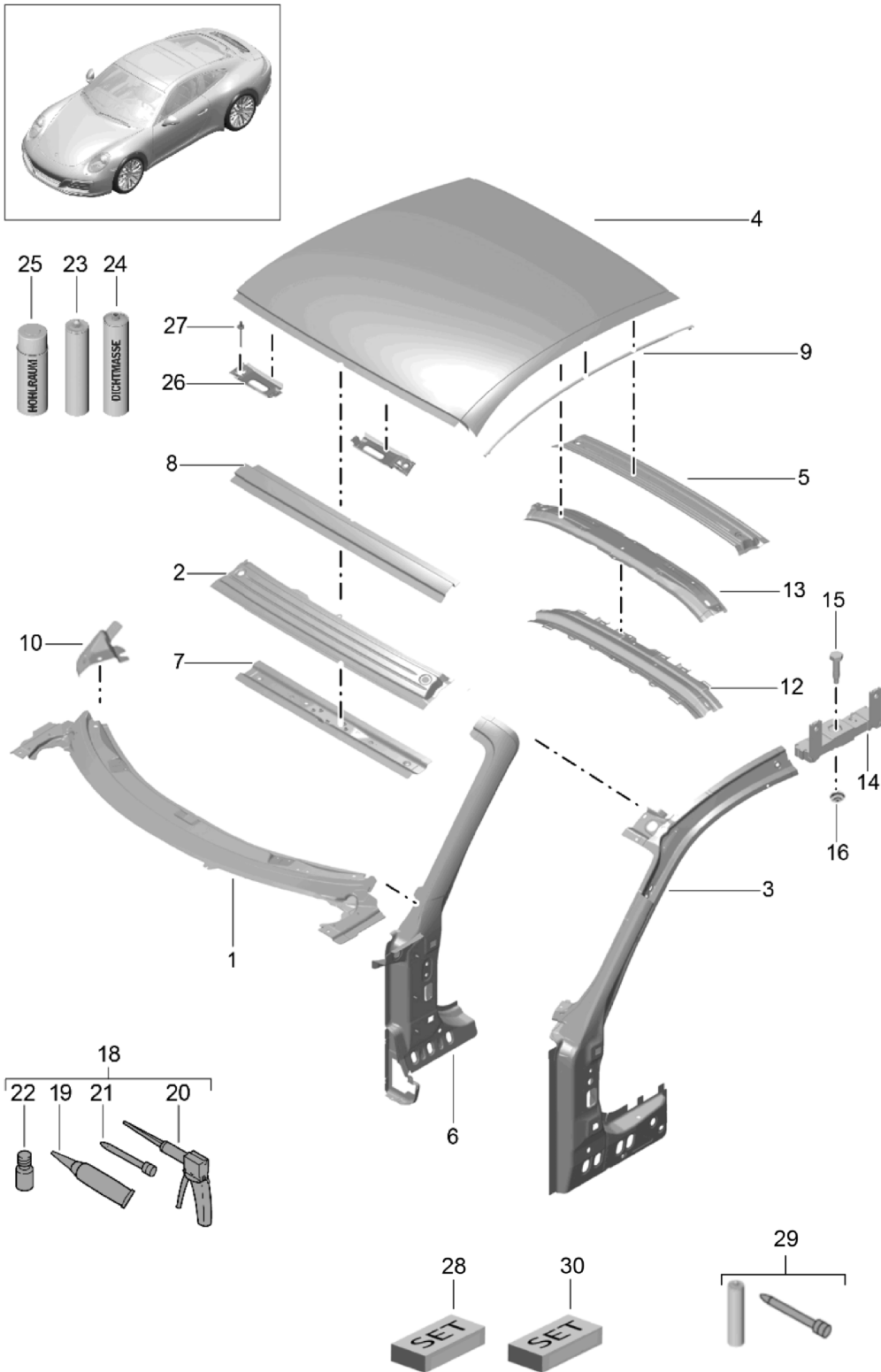
Model: 991-16

Model life 2017>>

Pos	Part Number	Description	Remark	Qty	Model
(1)	991 503 031 00	Wing			
	991 503 031 00 GRV	Wing primed	left	1	
1	991 503 032 00	Wing			
	991 503 032 00 GRV	Wing primed	right	1	
2	991 504 142 03	Cup		1	
		Fuel filler flap			
3	991 504 414 03	throttle control element		1	
		Fuel filler flap			
4	991 503 034 00	Fuel filler flap		1	
	991 503 034 00 GRV	Fuel filler flap primed			
(5)	991 502 347 00	bracket - fender	left	1	
	991 502 347 00 GRV	bracket - fender primed			
5	991 502 348 00	bracket - fender	right	1	
	991 502 348 00 GRV	bracket - fender primed			
6	N 910 423 01	Oval hexagon socket head bolt M 6 x 16		X	
7	991 503 555 00	Console		2	
		Headlight recess			
8	991 503 557 00	Support	left	1	
		Headlight recess			
(8)	991 503 558 00	Support	right	1	
		Headlight recess			
9	991 503 441 01	Brace		2	
		Headlight recess			
10	999 076 066 09	Hexagon nut M6		X	

Model: 991-16

Model life 2017>>



Model: 991-16 Model life 2017>>

Pos	Part Number	Description	Remark	Qty	Model
1	991 502 137 00	Scuttle Roof Scuttle	lower outer	1	
	991 502 137 00 GRV	primed			
2	991 502 329 00	Scuttle Bottom half	upper	1	Coupe
	991 502 329 00 GRV	primed			
			also use: 000 043 206 30		
3	991 502 035 00	A-pillar	left inner	1	Coupe
	991 502 035 00 GRV	primed			
			also use: 000 043 206 30		
(3)	991 502 035 01	A-pillar	left inner	1	Cabrio/Targa
	991 502 035 01 GRV	primed			
			also use: 000 043 206 30		
(3)	991 502 036 00	A-pillar	right inner	1	Coupe
	991 502 036 00 GRV	primed			
			also use: 000 043 206 30		
(3)	991 502 036 01	A-pillar	right inner	1	Cabrio
	991 502 036 01 GRV	primed			
			also use: 000 043 206 30		
4	991 503 901 00	Outer roof panel		1	PR:652
	991 503 901 00 GRV	primed			
			also use: 000 043 305 35		
5	991 502 269 00	see workshop manual roof frame	inner rear	1	Coupe
	991 502 269 00 GRV	primed			
			also use: 000 043 206 30		
6	991 502 235 00	A-pillar	left outer	1	Cabrio/Targa
	991 502 235 00 GRV	primed			
			also use: 000 043 206 30		
6	991 502 236 00	A-pillar	right outer	1	Cabrio/Targa
	991 502 236 00 GRV	primed			
			also use: 000 043 206 30		
7	991 502 259 01	Scuttle Bottom half	upper	1	Cabrio
	991 502 259 01 GRV	primed			
			also use: 000 043 206 30		
(7)	991 502 259 02	Frame Bottom half	upper	1	Targa
	991 502 259 02 GRV	primed			
			also use: 000 043 206 30		
8	991 502 529 00	Scuttle Top half	upper	1	Cabrio
	991 502 529 00 GRV	primed			
			also use: 000 043 206 30		
(8)	991 502 529 01	Frame Top half	upper	1	Targa
	991 502 529 01 GRV	primed			
			also use: 000 043 206 30		
9	991 566 901 00	Seal Roof module	left	1	Coupe PR:652
(9)	991 566 902 00	Seal Roof module	right	1	Coupe PR:652

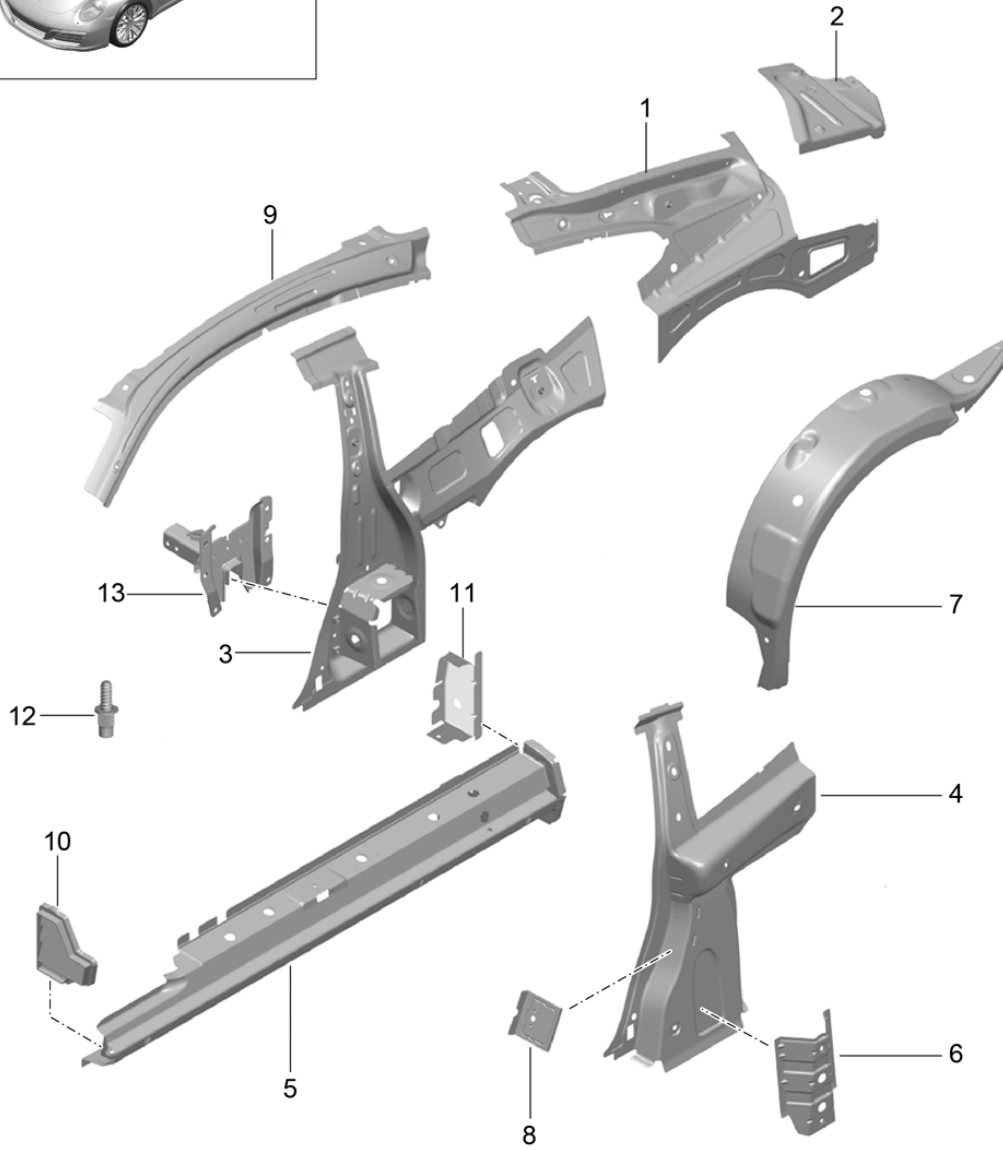
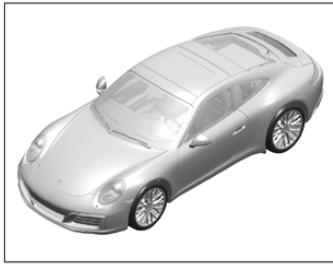
Model: 991-16 Model life 2017>>

Pos	Part Number	Description	Remark	Qty	Model
10	991 502 657 00	Console	left	1	
	991 502 657 00 GRV	primed			
(10)	991 502 658 00	Console	right	1	
	991 502 658 00 GRV	primed			
12	991 502 489 00	Cross member		1	Targa
		Roof			
	991 502 489 00 GRV	primed			
		also use:	000 043 206 30		
13	991 502 469 00	Closing plate		1	Targa
		Roof			
	991 502 469 00 GRV	primed			
		also use:	000 043 206 30		
14	9P1 898 256	1 set: mountings for roof carrier system		1	PR:651,652,653
15	999 075 043 01	Hexagon bolt M6 X25		4	
18	000 043 206 29	Adhesive set		1	
19	000 043 206 30	adhesive		1	
20	000 043 206 31	Double cartridge gun		1	
21	000 043 206 32	emulsion tube		1	
22	000 043 206 33	activator		1	
		Discontinued part			
22	000 043 207 70	activator		1	
23	999 915 337 40	sealant		1	
		Acoustics			
24	000 043 305 32	sealant		1	
25	000 043 204 85	cavity preservative agent		1	
26	991 502 653 02	deformation element	left upper	1	
		Scuttle			
	991 502 653 02 GRV	primed			
(26)	991 502 654 02	deformation element	right upper	1	
		Scuttle			
	991 502 654 02 GRV	primed			
27	N 900 978 02	Pop rivet 4X8		8	
28	000 043 305 65	Adhesive set		1	
29	000 043 205 37	emulsion tube		1	
30	000 043 305 35	2K pane adhesive set		1	



Model: 991-16

Model life 2017>>



Model: 991-16 Model life 2017>>

Pos	Part Number	Description	Remark	Qty	Model
1	991 502 085 00	Side part	inner	1	Coupe
	991 502 085 00	Side part	left		
	991 502 085 00 GRV	primed	inner		
(1)	991 502 086 00	(complete) Side part	right	1	
	991 502 086 00 GRV	primed	inner		
	991 502 086 00 GRV	(complete)			
2	991 502 105 00	Side part	left	1	
	991 502 105 00 GRV	primed	inner		
	991 502 105 00 GRV	Carrier plate			
(2)	991 502 106 00	Side part	right	1	
	991 502 106 00 GRV	primed	inner		
	991 502 106 00 GRV	Carrier plate			
3	991 502 391 00	B-pillar	left	1	
	991 502 391 00 GRV	(complete) primed	inner		
(3)	991 502 392 00	B-pillar	right	1	
	991 502 392 00 GRV	(complete) primed	inner		
4	991 502 019 00	Side part	left	1	
	991 502 019 00 GRV	primed	inner		
(4)	991 502 020 00	Side part	right	1	
	991 502 020 00 GRV	primed	inner		
5	991 502 563 00	Reinforcement	left	1	
	991 502 563 00 GRV	Sill primed			
(5)	991 502 564 00	Reinforcement	right	1	
	991 502 564 00 GRV	Sill primed			
6	991 502 709 00	Support		2	
	991 502 709 00 GRV	B-pillar primed			
7	991 502 515 00	Wheel housing	left	1	C2 PR:-011
	991 502 515 00 GRV	primed			
(7)	991 502 516 00	Wheel housing	right	1	C2 PR:-011
	991 502 516 00 GRV	primed			
(7)	991 502 515 02	Wheel housing	left	1	C4
	991 502 515 02 GRV	primed			
(7)	991 502 516 02	Wheel housing	right	1	C4
	991 502 516 02 GRV	primed			
8	991 502 311 01	Reinforcement	left a. right	2	
	991 502 311 01 GRV	Lock striker primed			
9	991 502 465 00	Reinforcement for A-pillar	left	1	
	991 502 465 00 GRV	primed	upper		
(9)	991 502 466 00	Reinforcement for A-pillar	right	1	
	991 502 466 00 GRV	primed	upper		
10	991 572 311 01	Water protection cap	left	1	
(10)	991 572 312 01	Water protection cap	right	1	
(11)	991 501 748 00	Closing plate	right	1	
	991 501 748 00 GRV	primed			

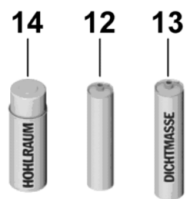
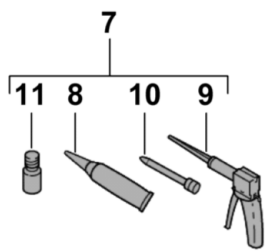
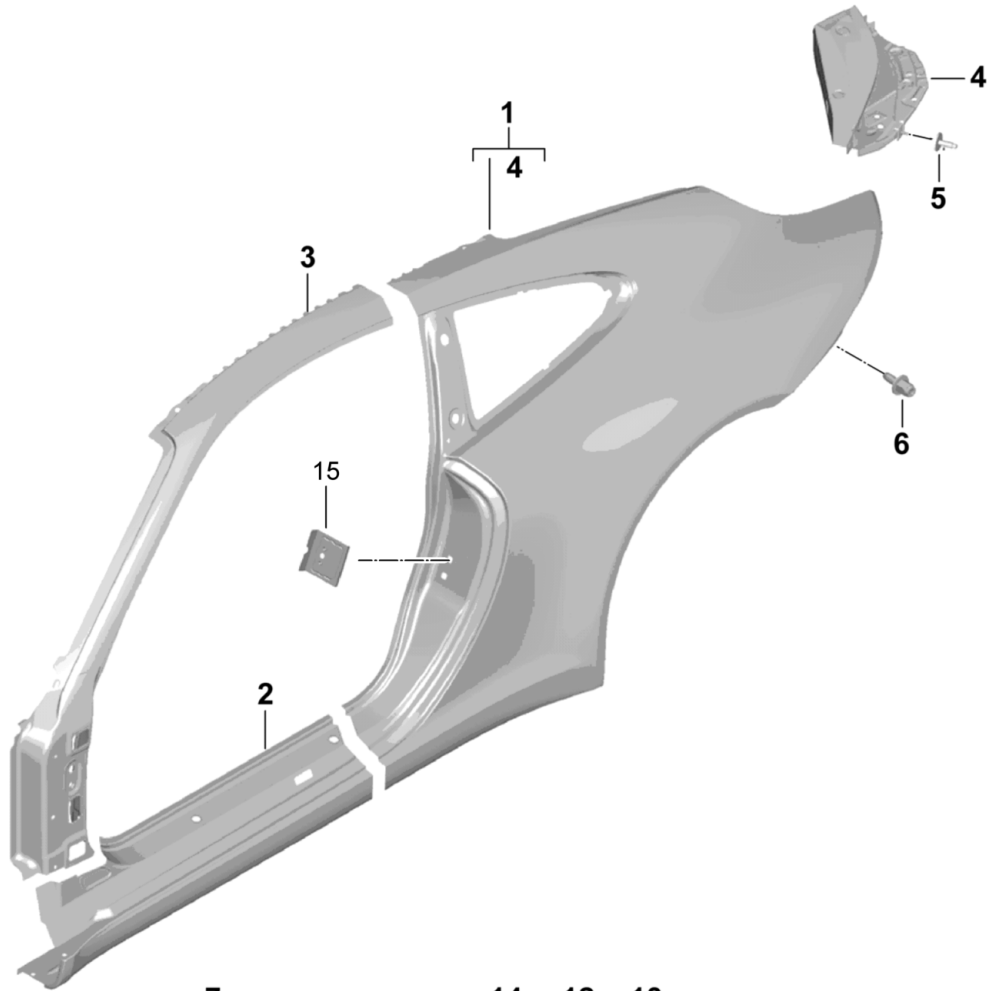
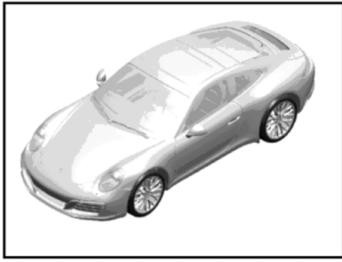
Model: 991-16

Model life 2017>>

Pos	Part Number	Description	Remark	Qty	Model
12	999 190 342 01	Threaded stud T5		X	
13	991 502 413 00	Support	left	1	
	991 502 413 00 GRV	primed			
(13)	991 502 414 00	Support	right	1	
	991 502 414 00 GRV	primed			

Model: 991-16

Model life 2017>>



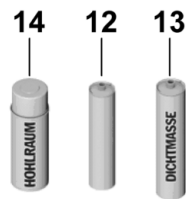
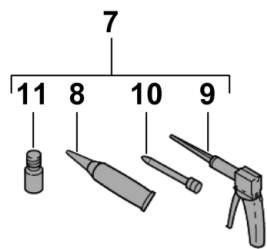
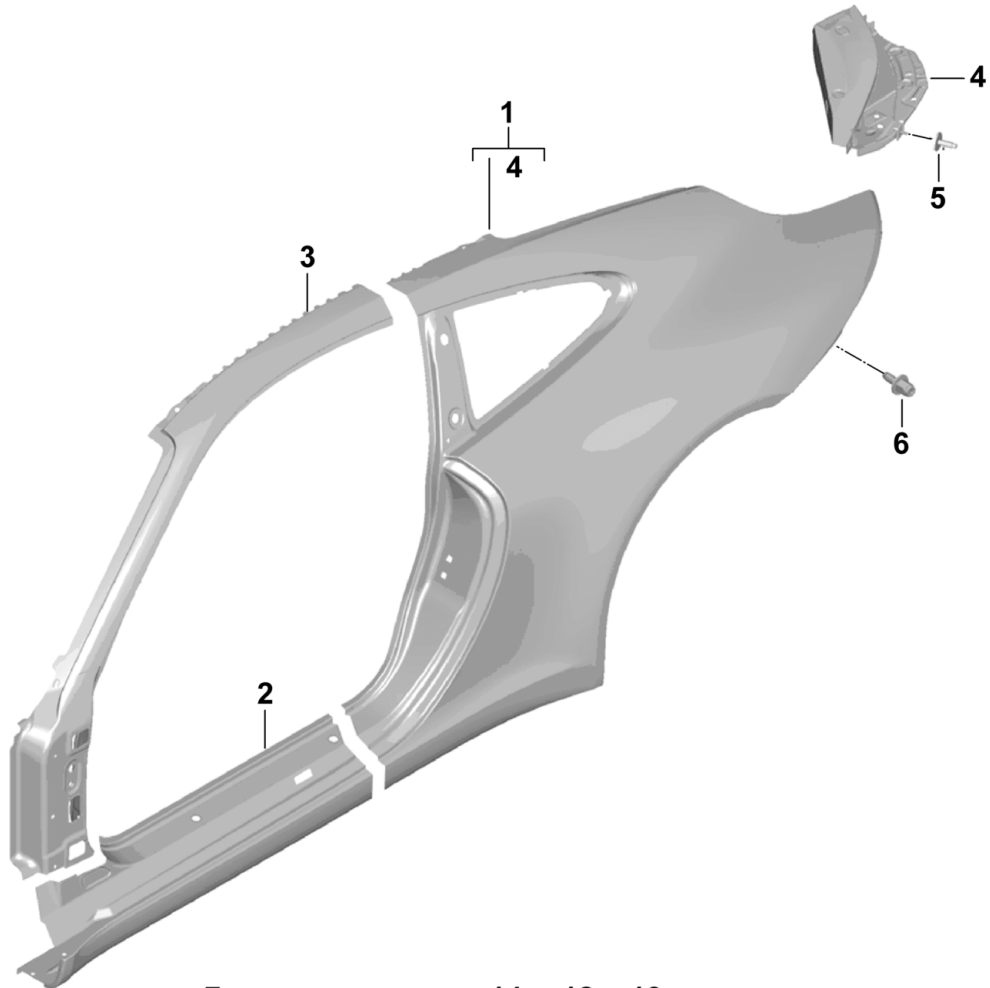
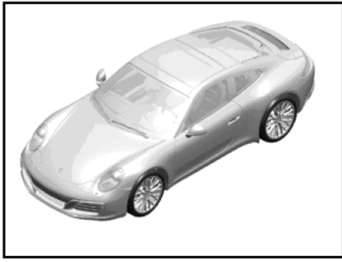
Model: 991-16

Model life 2017>>

Pos	Part Number	Description	Remark	Qty	Model
		Side part	outer		Coupé
1	991 503 961 00	Side part	left	1	C2 PR:-011
(1)	991 503 961 00 GRV	primed			
	991 503 962 00	Side part	right	1	C2 PR:-011
	991 503 962 00 GRV	primed			
2	991 503 963 00	Sill	left	1	C2 PR:-011
(2)	991 503 963 00 GRV	primed			
	991 503 964 00	Sill	right	1	C2 PR:-011
	991 503 964 00 GRV	primed			
3	991 503 965 00	A-pillar	left	1	C2 PR:-011
(3)	991 503 965 00 GRV	primed			
	991 503 966 00	A-pillar	right	1	C2 PR:-011
	991 503 966 00 GRV	primed			
4	991 502 361 03	Mounting for tail light	left	1	
(4)	991 502 361 03 GRV	primed			
	991 502 362 03	Mounting for tail light	right	1	
	991 502 362 03 GRV	primed			
5	999 503 533 02	Weld screw		X	
		M6X20			
6	999 080 057 01	Blind rivet stud		X	
		Side part			
		M 6 X 15			
7	000 043 206 29	Adhesive set		1	
8	000 043 305 41	adhesive		1	
9	000 043 206 31	Double cartridge gun		1	
10	000 043 206 32	emulsion tube		1	
11	000 043 305 31	activator		1	
12	000 043 305 59	sealant		1	
		Noise insulation			
13	000 043 305 32	sealant		1	
15	991 502 311 01	Reinforcement	left a. right	2	
		Lock striker			
	991 502 311 01 GRV	primed			

Model: 991-16

Model life 2017>>



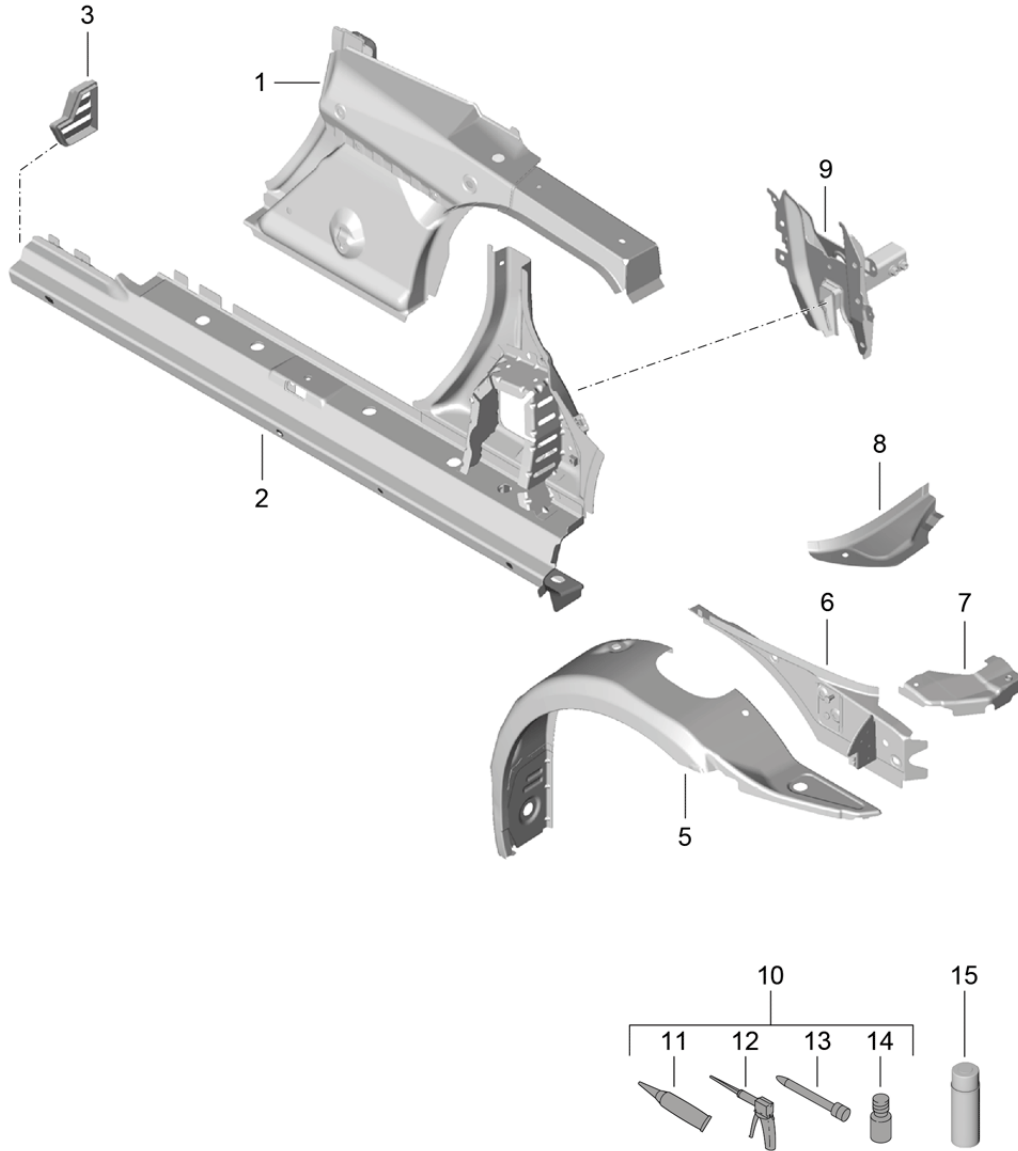
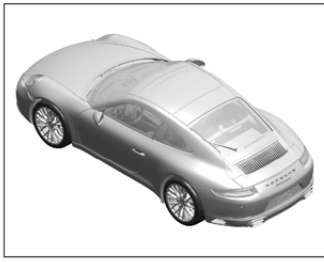
Model: 991-16

Model life 2017>>

Pos	Part Number	Description	Remark	Qty	Model
		Side part	outer		Coupé C4 GTS
1	991 503 961 02	Side part	left	1	
	991 503 961 02 GRV	primed			
(1)	991 503 962 02	Side part	right	1	
	991 503 962 02 GRV	primed			
2	991 503 963 02	Sill	left	1	
	991 503 963 02 GRV	primed			
(2)	991 503 964 02	Sill	right	1	
	991 503 964 02 GRV	primed			
3	991 503 965 02	A-pillar	left	1	
	991 503 965 02 GRV	primed			
(3)	991 503 966 02	A-pillar	right	1	
	991 503 966 02 GRV	primed			
4	991 502 361 03	Mounting for tail light	left	1	
	991 502 361 03 GRV	primed			
(4)	991 502 362 03	Mounting for tail light	right	1	
	991 502 362 03 GRV	primed			
5	999 503 533 02	Weld screw M6X20		X	
6	999 080 057 01	Blind rivet stud Side part M 6 X 15		X	
7	000 043 206 29	Adhesive set		1	
8	000 043 305 41	adhesive		1	
9	000 043 206 31	Double cartridge gun		1	
10	000 043 206 32	emulsion tube		1	
11	000 043 305 31	activator		1	
12	000 043 305 59	sealant Noise insulation		1	
13	000 043 305 32	sealant		1	
15	991 502 311 01	Reinforcement	left a. right	2	
	991 502 311 01 GRV	Lock striker primed			

Model: 991-16

Model life 2017>>





Model: 991-16 Model life 2017>>

Pos	Part Number	Description	Remark	Qty	Model
1	991 502 019 01	Side part	inner	1	Cabrio
		Side part	left		C2
	991 502 019 01 GRV	primed			PR:-011
(1)	991 502 020 01	Side part	also use: 000 043 206 30 right	1	C2
	991 502 020 01 GRV	primed			PR:-011
(1)	991 502 019 03	Side part	also use: 000 043 206 30 left	1	C4
	991 502 019 03 GRV	primed			
(1)	991 502 020 03	Side part	also use: 000 043 206 30 right	1	C4
	991 502 020 03 GRV	primed			
2	991 502 563 01	Reinforcement	also use: 000 043 206 30 left	1	
	991 502 563 01 GRV	Sill primed			
(2)	991 502 564 01	Reinforcement	also use: 000 043 206 30 right	1	
	991 502 564 01 GRV	Sill primed			
3	991 572 311 01	Water protection cap	also use: 000 043 206 30 left	1	
(3)	991 572 312 01	Water protection cap	right	1	
5	991 502 315 00	Wheel housing	left	1	C2
	991 502 315 00 GRV	primed	outer		PR:-011
(5)	991 502 316 00	Wheel housing	also use: 000 043 206 30 right	1	C2
	991 502 316 00 GRV	primed	outer		PR:-011
(5)	991 502 315 01	Wheel housing	also use: 000 043 206 30 left	1	C4
	991 502 315 01 GRV	primed	outer		
(5)	991 502 316 01	Wheel housing	also use: 000 043 206 30 right	1	C4
	991 502 316 01 GRV	primed	outer		
(5)	991 502 315 01	Wheel housing	also use: 000 043 206 30 left	1	GTS
	991 502 315 01 GRV	primed			
(5)	991 502 316 01	Wheel housing	also use: 000 043 206 30 right	1	GTS
	991 502 316 01 GRV	primed			
6	991 502 085 01	Side part	also use: 000 043 206 30 left	1	
	991 502 085 01 GRV	primed	rear		
(6)	991 502 086 01	(complete) Side part	right	1	
	991 502 086 01 GRV	primed	rear		
7	991 502 475 00	Console	left	1	
	991 502 475 00 GRV	primed	rear		
(7)	991 502 476 00	Console	right	1	
	991 502 476 00 GRV	primed	rear		
8	991 502 595 01	corner part	left	1	
			rear		

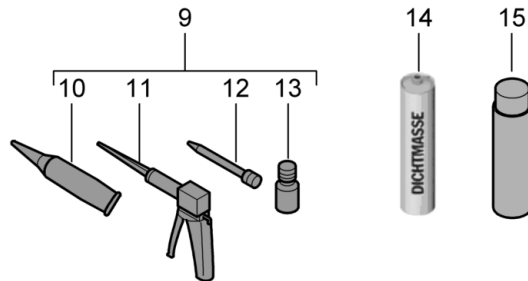
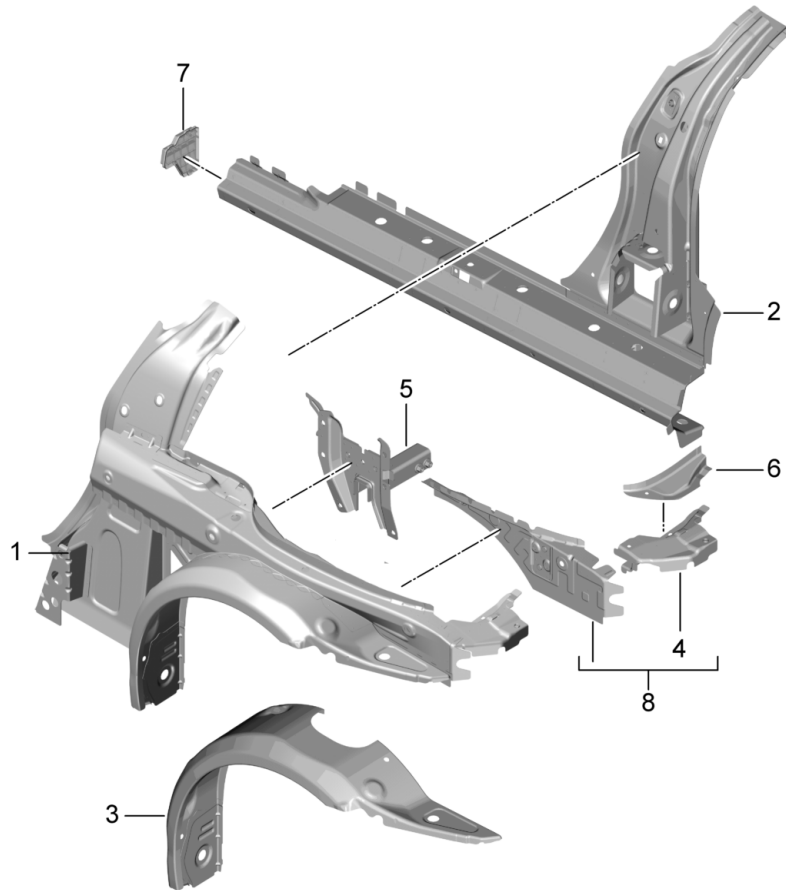
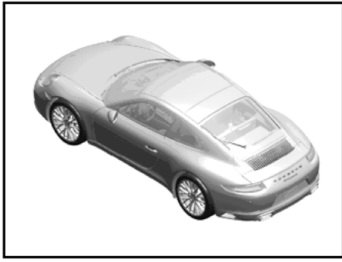
Model: 991-16

Model life 2017>>

Pos	Part Number	Description	Remark	Qty	Model
(8)	991 502 595 01 GRV 991 502 596 01	primed corner part	right rear	1	
9	991 502 596 01 GRV 991 502 413 03	primed Support	left	1	
(9)	991 502 413 03 GRV 991 502 414 03	primed Support	right	1	
10	991 502 414 03 GRV 000 043 206 29	primed Adhesive set Body		X	
11	000 043 206 30	comprising: adhesive		1	
12	000 043 206 31	Double cartridge gun		1	
13	000 043 206 32	emulsion tube		1	
14	000 043 206 33	activator		1	
15	000 043 305 51	cavity preservative agent		1	

Model: 991-16

Model life 2017>>

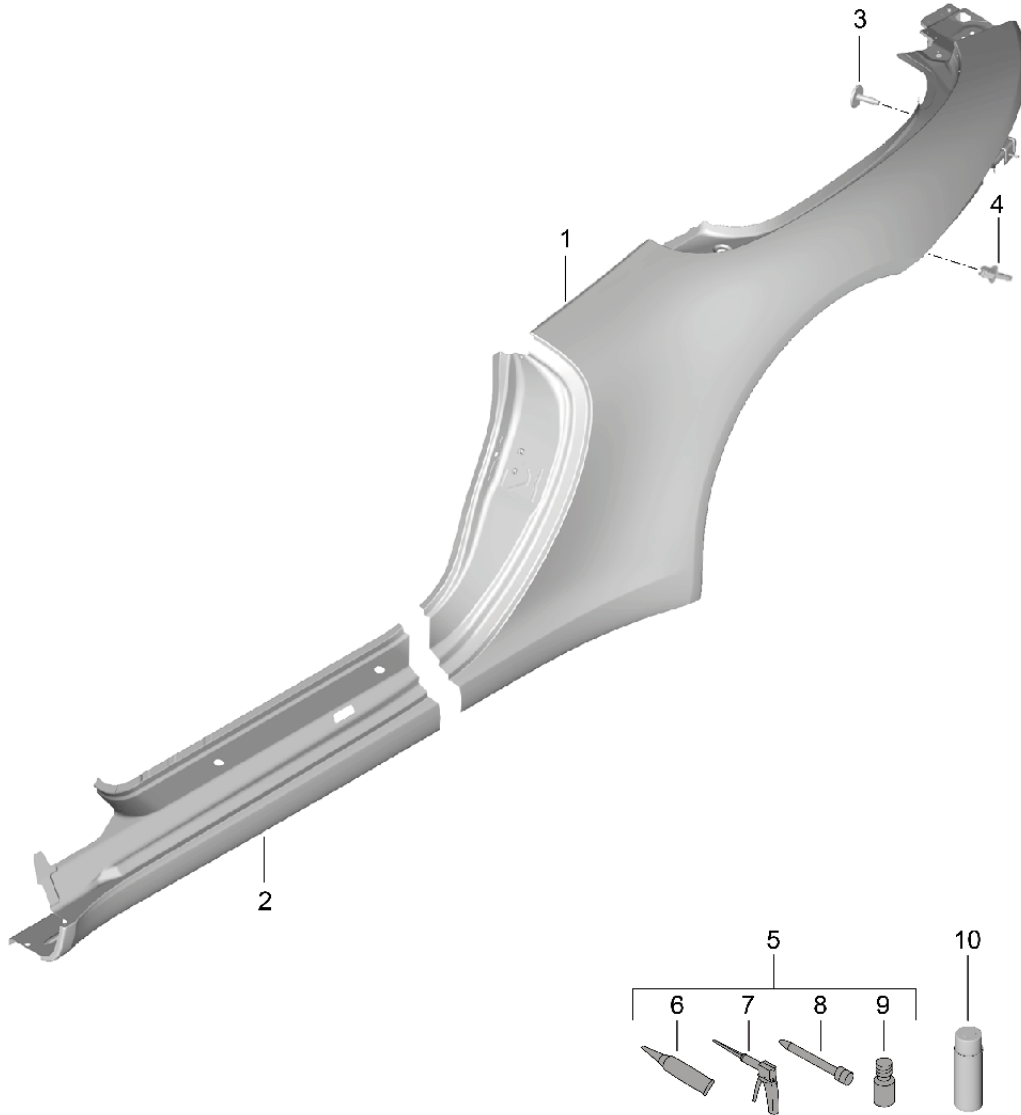
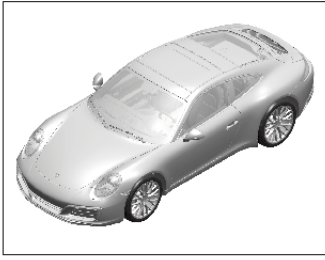


Model: 991-16 Model life 2017>>

Pos	Part Number	Description	Remark	Qty	Model
1	991 502 019 08	Side part	inner	1	TARGA
	991 502 019 08 GRV	Side part primed	inner left		
(1)	991 502 020 08	Side part	also use: 000 043 206 30 inner right	1	
	991 502 020 08 GRV	Side part primed			
2	991 502 563 03	Reinforcement Sill	also use: 000 043 206 30 left	1	
	991 502 563 03 GRV	Reinforcement Sill primed			
(2)	991 502 564 03	Reinforcement Sill	also use: 000 043 206 30 right	1	
	991 502 564 03 GRV	Reinforcement Sill primed			
3	991 502 315 01	Wheel housing	also use: 000 043 206 30 left	1	
	991 502 315 01 GRV	Wheel housing primed			
(3)	991 502 316 01	Wheel housing	also use: 000 043 206 30 right	1	
	991 502 316 01 GRV	Wheel housing primed			
4	991 502 475 00	Console	also use: 000 043 206 30 left	1	
	991 502 475 00 GRV	Console primed			
(4)	991 502 476 00	Console	right	1	
	991 502 476 00 GRV	Console primed			
5	991 502 413 02	Support	left	1	
	991 502 413 02 GRV	Support primed			
(5)	991 502 414 02	Support	right	1	
	991 502 414 02 GRV	Support primed			
6	991 502 595 01	corner part	left rear	1	
	991 502 595 01 GRV	corner part primed			
(6)	991 502 596 01	corner part	right rear	1	
	991 502 596 01 GRV	corner part primed			
7	991 572 311 01	Water protection cap	left	1	
(7)	991 572 312 01	Water protection cap	right	1	
8	991 502 085 01	Side part	left rear	1	
	991 502 085 01 GRV	Side part primed			
(8)	991 502 086 01	Side part	also use: 000 043 206 30 right rear	1	
	991 502 086 01 GRV	Side part primed			
9	000 043 206 29	Adhesive set	also use: 000 043 206 30	X	
		Body comprising:			
10	000 043 305 41	adhesive		1	
11	000 043 206 31	Double cartridge gun		1	
12	000 043 206 32	emulsion tube		1	
		10 STUECK			
13	000 043 305 31	activator		1	
14	000 043 305 32	sealant		1	
15	000 043 305 51	cavity preservative agent		1	

Model: 991-16

Model life 2017>>



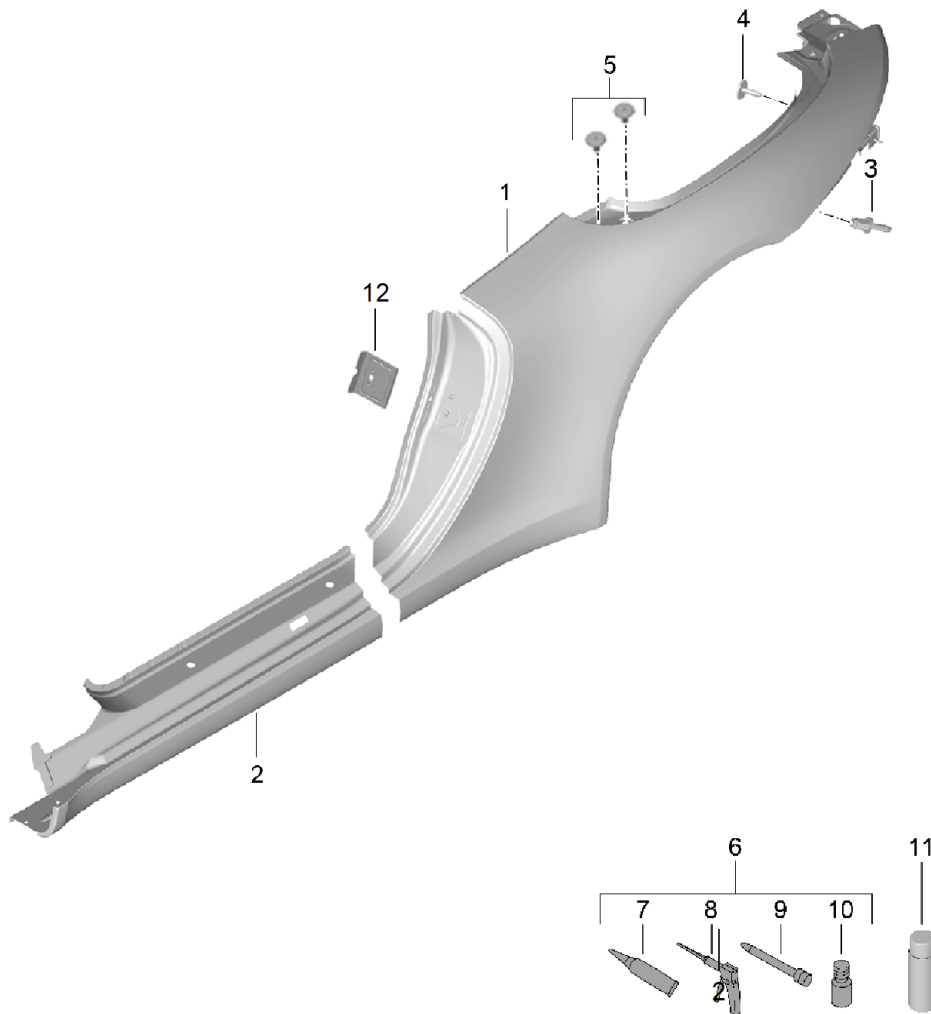
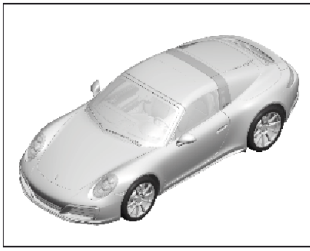
Model: 991-16

Model life 2017>>

Pos	Part Number	Description	Remark	Qty	Model
1	991 503 961 01 991 503 961 01 GRV	Side part Side part primed	outer left	1	Cabrio C2
(1)	991 503 962 01 991 503 962 01 GRV	Side part primed	also use: 000 043 206 30 right	1	C2
(1)	991 503 961 03 991 503 961 03 GRV	Side part primed	also use: 000 043 206 30 left	1	C4
(1)	991 503 962 03 991 503 962 03 GRV	Side part primed	also use: 000 043 206 30 right	1	C4
(1)	991 503 961 03 991 503 961 03 GRV	Side part primed	also use: 000 043 206 30 left	1	GTS
(1)	991 503 962 03 991 503 962 03 GRV	Side part primed	also use: 000 043 206 30 right	1	GTS
2	991 503 963 01 991 503 963 01 GRV	Sill primed	also use: 000 043 206 30 left	1	C2 PR:-011
(2)	991 503 964 01 991 503 964 01 GRV	Sill primed	also use: 000 043 206 30 right	1	C2 PR:-011
(2)	991 503 963 03 991 503 963 03 GRV	Sill primed	also use: 000 043 206 30 left	1	C4
(2)	991 503 964 03 991 503 964 03 GRV	Sill primed	also use: 000 043 206 30 right	1	C4
(2)	991 503 963 03 991 503 963 03 GRV	Sill primed	also use: 000 043 206 30 left	1	GTS
(2)	991 503 964 03 991 503 964 03 GRV	Sill primed	also use: 000 043 206 30 right	1	GTS
3	999 503 533 02	Weld screw M6X20		X	
4	999 080 057 01	Blind rivet stud		X	
5	000 043 206 29	Side part M 6 X 15 Adhesive set Body		X	
6	000 043 206 30	comprising: adhesive		1	
7	000 043 206 31	Double cartridge gun		1	
8	000 043 206 32	emulsion tube		1	
9	000 043 207 70	activator		1	
10	000 043 305 51	cavity preservative agent		1	
11	991 502 311 01 991 502 311 01 GRV	Reinforcement Lock striker primed	left a. right	2	

Model: 991-16

Model life 2017>>



Model: 991-16

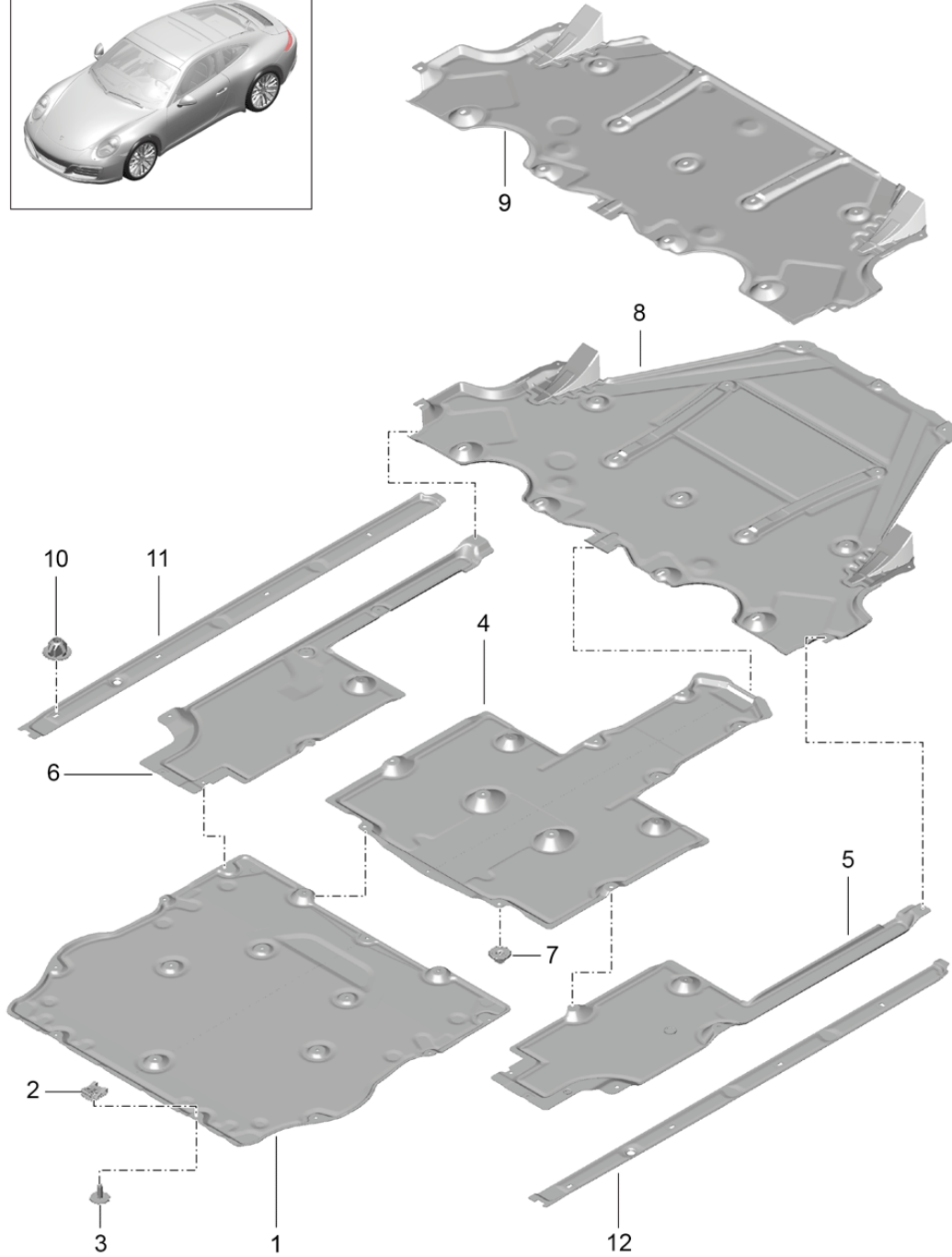
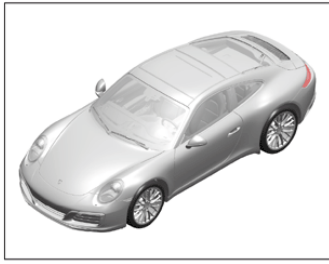
Model life 2017>>

Pos	Part Number	Description	Remark	Qty	Model
1	991 503 961 06	Side part Side part	outer left outer	1	Targa
	991 503 961 06 GRV	primed			
(1)	991 503 962 06	Side part	also use: 000 043 206 30 right outer	1	
	991 503 962 06 GRV	primed			
2	991 503 963 06	Sill Side part	also use: 000 043 206 30 left outer	1	
	991 503 963 06 GRV	primed			
(2)	991 503 964 06	Sill Side part	also use: 000 043 206 30 right outer	1	
	991 503 964 06 GRV	primed			
3	999 080 057 01	Blind rivet stud Side part	also use: 000 043 206 30	X	
		M 6 X 15			
4	999 503 533 02	Weld screw M6X20		X	
5	999 190 414 01	Pop rivet 4,8X10,3		2	
6	000 043 206 29	Adhesive set Body		X	
7	000 043 206 30	comprising: adhesive		1	
8	000 043 206 31	Double cartridge gun		1	
9	000 043 206 32	emulsion tube		1	
10	000 043 207 70	activator		1	
11	000 043 305 51	cavity preservative agent		1	
12	991 502 311 01	Reinforcement Lock striker	left a. right	2	
	991 502 311 01 GRV	primed			



Model: 991-16

Model life 2017>>



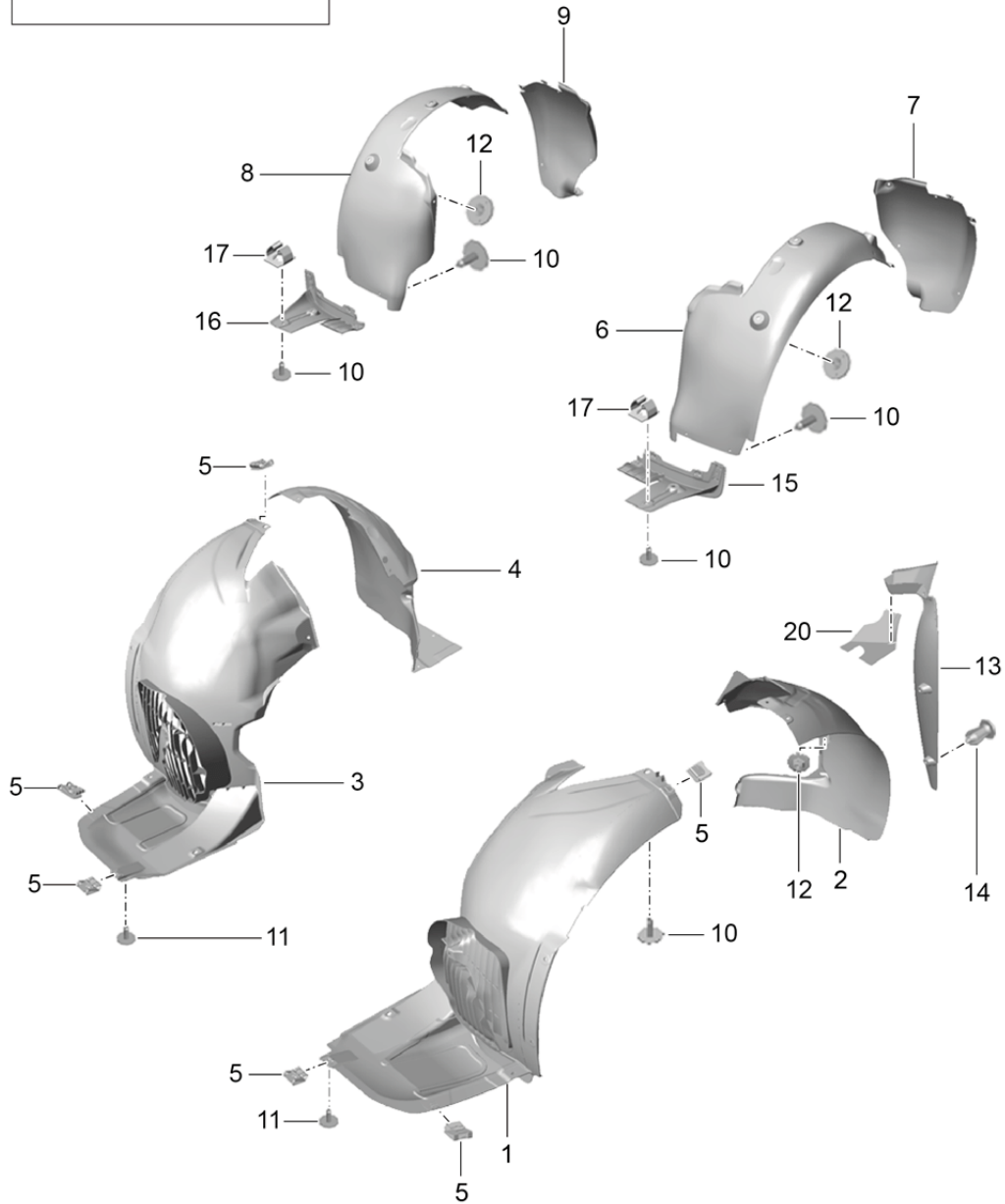
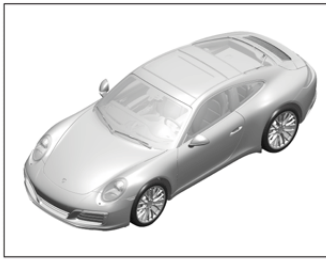
Model: 991-16

Model life 2017&gt;&gt;

Pos	Part Number	Description	Remark	Qty	Model
		Underbody			
		Linings			
1	991 504 601 04	Cover	front	1	C2
1	991 504 601 05	Cover	front	1	C4
2	999 507 309 02	panel nut ST 4,8		X	
3	999 073 505 01	panel screw ST 4,8x16		X	
4	991 504 603 00	Cover	center	1	
5	991 504 605 00	Cover	left	1	
			center		
6	991 504 606 00	Cover	right	1	
			center		
7	999 049 032 40	Hexagon plastic collar nut T6/22x10,5		X	
8	991 504 609 00	Cover	rear	1	Coupe
		Underbody			
9	991 504 609 01	Cover	rear	1	Cabrio
		Underbody			Targa
10	991 504 597 00	Securing clip		8	
		Cover			
11	991 504 619 00	Cover	left	1	
		Sill			
12	991 504 620 00	Cover	right	1	
		Sill			

Model: 991-16

Model life 2017>>



Model: 991-16

Model life 2017&gt;&gt;

Pos	Part Number	Description	Remark	Qty	Model
1	991 504 501 05	Wheel housing liner Linings	left	1	PR:008
(1)	991 504 501 05	Wheel housing liner	front	1	PR:009
2	991 504 503 03	Wheel housing liner	left	1	C2
(2)	991 504 503 04	Wheel housing liner	front	1	PR:-011
3	991 504 502 05	Wheel housing liner	rear	1	PR:008
(3)	991 504 502 05	Wheel housing liner	left	1	PR:009
4	991 504 504 00	Wheel housing liner	right	1	C2
(4)	991 504 504 01	Wheel housing liner	front	1	PR:-011
5	999 507 309 02	panel nut ST 4,8	rear	10	
6	991 504 305 03	Wheel housing liner	left	1	C2
(6)	991 504 305 04	Wheel housing liner	front	1	C4/Targa
7	991 504 509 03	Wheel housing liner	rear	1	C2
(7)	991 504 509 04	Wheel housing liner	left	1	C4/Targa
8	991 504 306 03	Wheel housing liner	rear	1	C2
(8)	991 504 306 04	Wheel housing liner	front	1	C4/Targa
9	991 504 510 03	Wheel housing liner	right	1	C2
(7)	991 504 510 04	Wheel housing liner	rear	1	C4/Targa
10	999 073 505 01	panel screw ST 4,8x16		X	
11	999 073 227 09	panel screw ST 4,8x19		4	
12	999 049 032 40	Hexagon plastic collar nut T6/22x10,5		X	
13	991 504 641 00	trim for a-pillar	left	1	
(13)	991 504 641 00 1E0	Black			
	991 504 642 00	trim for a-pillar	right	1	
	991 504 642 00 1E0	Black			
14	999 591 712 40	Spreader rivet 6,0x12,0		6	
15	991 504 593 01	Trim Spoiler	left	1	C2
		Wheel	rear	1	PR:-011
16	991 504 593 01 1E0	Black			
	991 504 594 01	Trim Spoiler	right	1	C2
		Wheel	rear	1	PR:-011

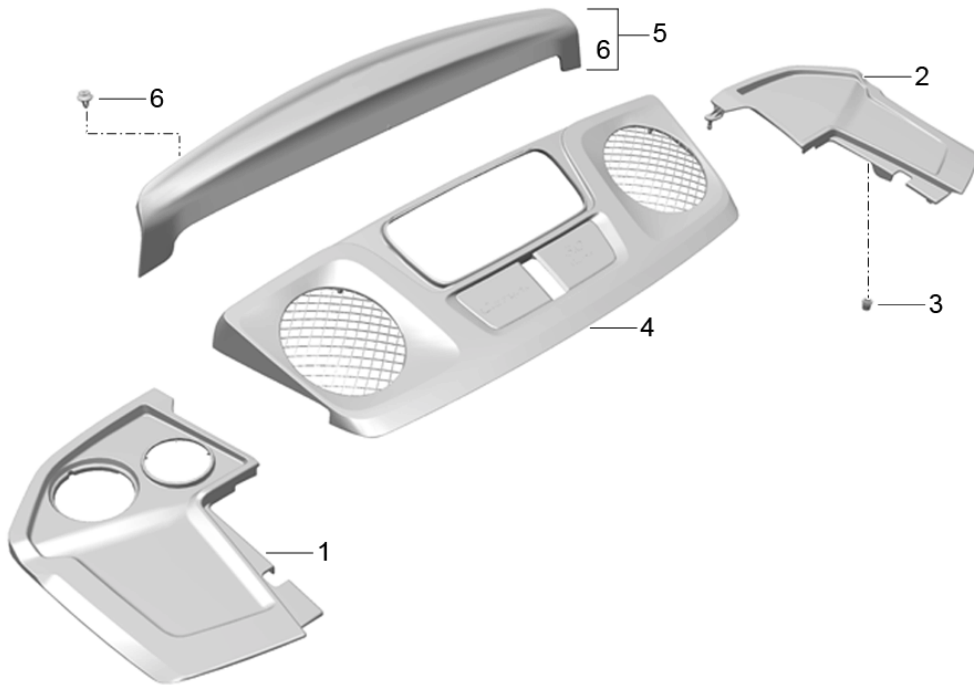
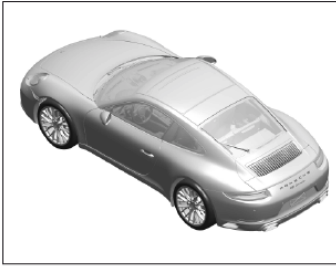
Model: 991-16

Model life 2017>>

Pos	Part Number	Description	Remark	Qty	Model
17	991 504 594 01 1E0	Black			
	999 507 849 01	Cage nut		4	
20	991 555 747 00	Trim	left	1	
		A-pillar		1	
		Wing		1	
(20)	991 555 747 00 1E0	Black			
	991 555 748 00	Trim	right	1	
		A-pillar		1	
		Wing		1	
	991 555 748 00 1E0	Black			

Model: 991-16

Model life 2017>>



Model: 991-16

Model life 2017>>

Pos	Part Number	Description	Remark	Qty	Model
1	9P1 813 165	Trim Engine compartment cover for engine compartment	side left	1	
2	9P1 813 165 1E0 9P1 813 166	Black cover for engine compartment	side right	1	
3	9P1 813 166 1E0 997 110 239 00	Black Support		X	
4	991 504 583 14	cover for engine compartment with: Badge "CARRERA 3,0"		1	PR:008,-011
(4)	991 504 583 14 1E0 991 504 583 15	Black cover for engine compartment with: Badge "CARRERA 3,0S"		1	PR:009,-011
(4)	991 504 583 15 1E0 991 504 583 16	Black cover for engine compartment with: Badge "TARGA 3,0"		1	PR:008,-011
(4)	991 504 583 16 1E0 991 504 583 17	Black cover for engine compartment with: Badge "TARGA 3,0S"		1	PR:009
(4)	991 504 583 17 1E0 991 504 583 18	Black cover for engine compartment with: Badge Carrera GTS		1	
(4)	991 504 583 18 1E0 991 504 583 19	Black cover for engine compartment with: Badge TARGA GTS		1	
(3)	991 504 583 19 1E0 991 504 990 02	Black cover for engine compartment with: Badge "CARRERA 3.0 S" "EXCLUSIVE POWERKIT"		1	PR:X51
(3)	991 504 990 04	cover for engine compartment with: Badge "TARGA 3.0 S" "EXCLUSIVE POWERKIT"		1	PR:X51
(3)	991 504 990 00	cover for engine compartment with: Badge "CARRERA 3.8" "EXCLUSIVE POWERKIT"		1	PR:X51
(3)	991 504 990 04	cover for engine compartment with: Badge "TARGA 3.8" "EXCLUSIVE POWERKIT"		1	PR:X51
5	991 504 585 00 991 504 585 00 1E0	Cover Cross member Black		1	

Model: 991-16

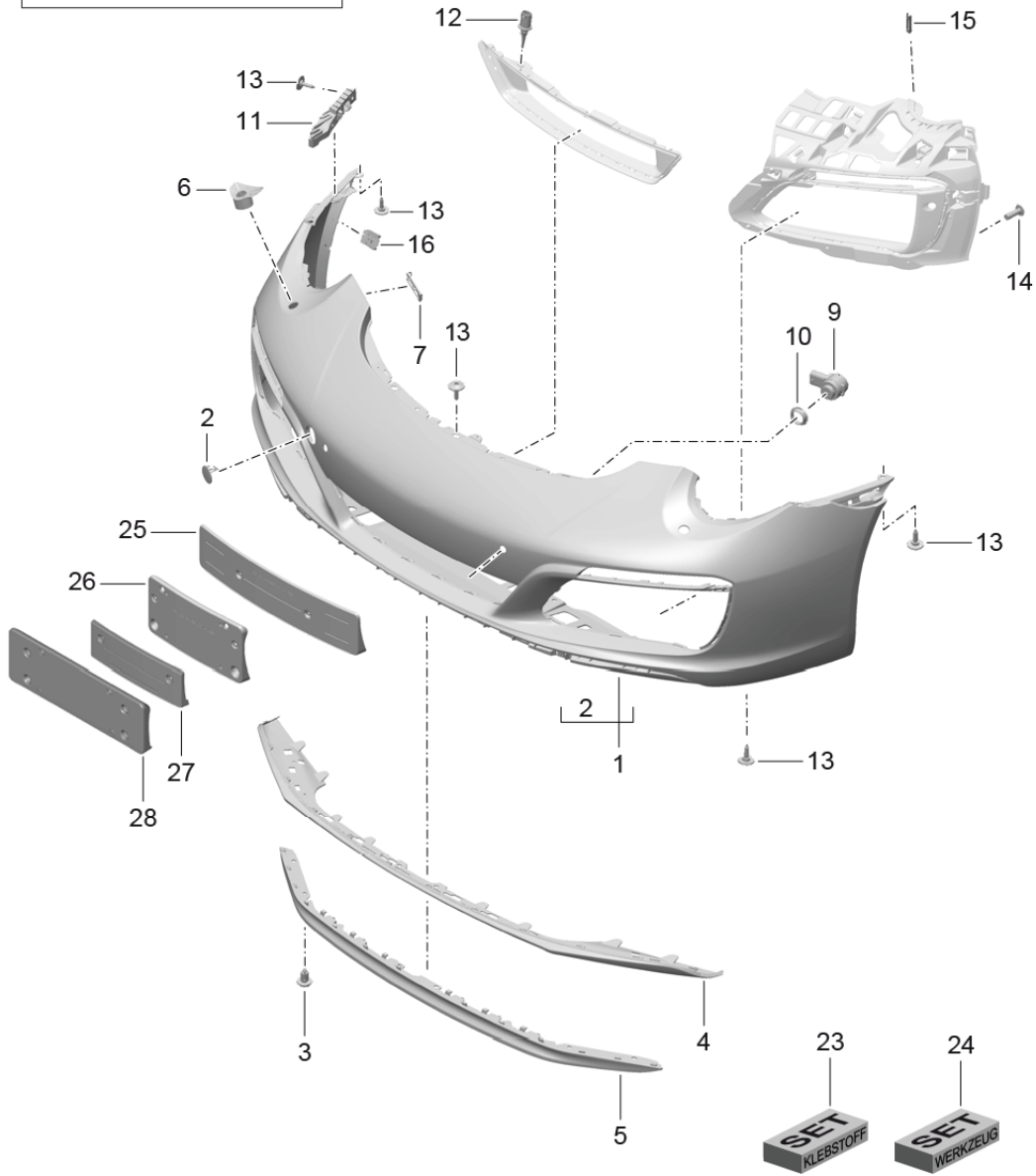
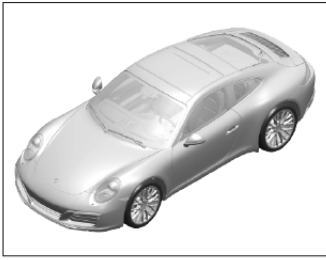
Model life 2017>>

Pos	Part Number	Description	Remark	Qty	Model
6	999 507 999 40	Retaining clip 8,1 X 2,00		5	



Model: 991-16

Model life 2017>>



Model: 991-16

Model life 2017>>

Pos	Part Number	Description	Remark	Qty	Model
1	991 505 013 50	bumper Spoiler Bumper cover	front	1	PR:288,-636,-638
1	991 505 013 51	Bumper cover		1	PR:288,636,638
1	991 505 013 52	Bumper cover		1	PR:-288,-636,-638
(1)	991 505 013 53	Bumper cover		1	PR:636,638,-288
2	981 505 703 02	cover for towing eye		1	
	981 505 703 02 G2X	primed			
3	999 591 941 40	Spreader rivet ST. 4,2		X	
4	991 505 525 03	Spoiler	front	1	PR:352,475,
	991 505 525 03 OK1	Matt black			
(4)	991 505 525 04	Spoiler	front	1	PR:030,031
	991 505 525 04 OK1	Matt black			
5	991 505 557 04	Spoiler lip		1	PR:352,475,477,487
	991 505 557 04 OK1	Matt black			
(5)	991 505 557 05	Front spoiler		1	
	991 505 557 05 OK1	Matt black			
6	991 505 761 02	Retaining plate headlight washer system	left	1	PR:288
		also use:	000 043 300 47		
(6)	991 505 762 02	Retaining plate headlight washer system	right	1	PR:288
		also use:	000 043 300 47		
7	997 505 719 00	Fixing		1	
9	5Q0 919 275 B	Sensor Parking aid	inner	2	
	5Q0 919 275 B G2X	primed			
(9)	5Q0 919 275 C	Sensor Parking aid	outer	2	
	5Q0 919 275 C G2X	primed			
10	5Q0 919 133	seal ring Sensors Parking aid		4	
	5Q0 919 133 9B9	Satin black			
11	991 505 535 01	retaining strip	left side	1	
(11)	991 505 536 01	retaining strip	right side	1	
12	958 505 535 00	Sensor Temperature sensor		1	
13	999 073 227 09	panel screw ST4,8X19		X	
14	999 919 246 01	fillister hd. bolt ST 6,0X18,0 0-Q		X	
15	999 507 696 00	U-clip 1,20-1,70		2	
16	999 507 309 02	panel nut ST 4,8		X	
23	000 043 300 47	Adhesive set adhesive		1	
		with:	5 point		
		emulsion tube Bracket headlight washer system			
-		use if required:			
24	000 043 300 48	Tool set for adhesive		1	

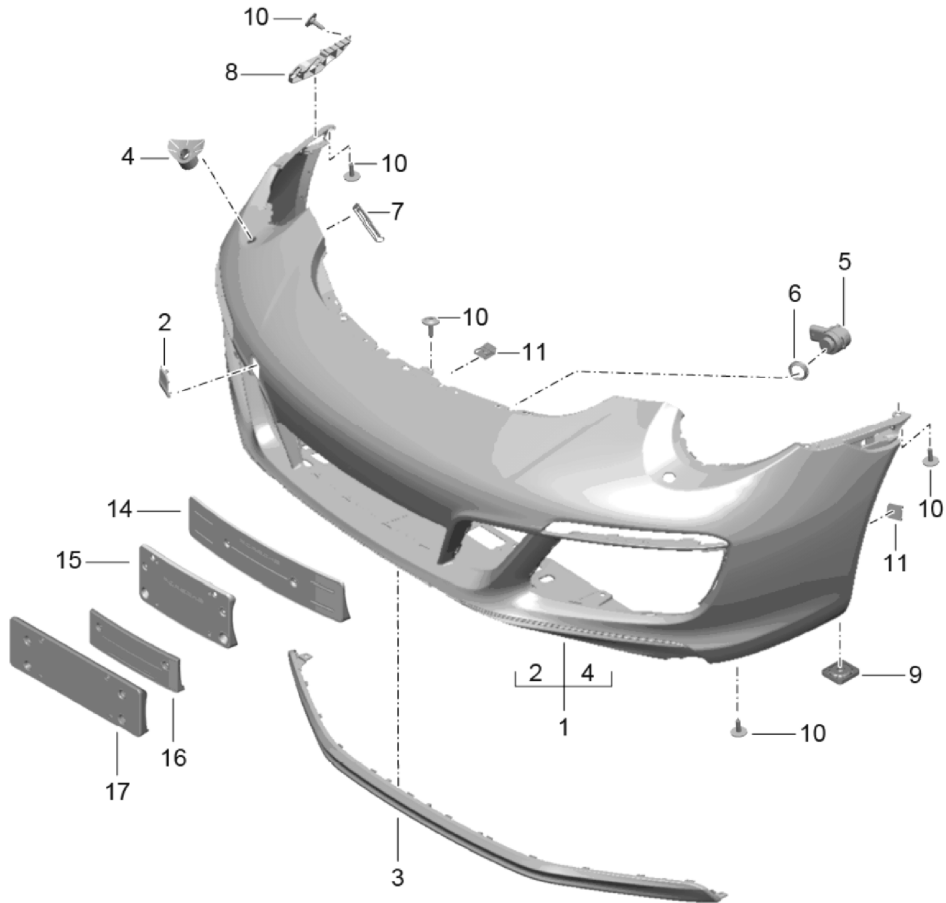
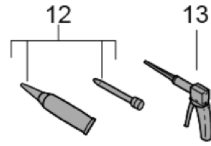
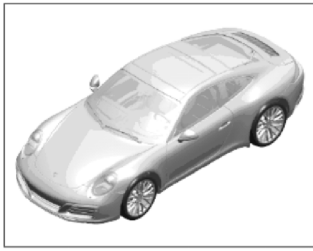
Model: 991-16

Model life 2017>>

Pos	Part Number	Description	Remark	Qty	Model
25	991 701 051 14	Assembly kit Licence plate holder	ECE	1	PR:211
	991 701 051 14 OK1	Matt black			
26	991 701 051 16	Assembly kit Licence plate holder	Japan	1	PR:209
	991 701 051 16 OK1	Matt black			
27	991 701 051 18	Assembly kit Licence plate holder	RDW	1	PR:210
	991 701 051 18 OK1	Matt black			
(27)	991 701 051 19	Assembly kit Licence plate holder	Japan ACC	1	PR:209,456
	991 701 051 19 OK1	Matt black			
28	991 701 051 20	Assembly kit Licence plate holder	China	1	PR:211,075
	991 701 051 20 OK1	Matt black			

Model: 991-16

Model life 2017>>



Model: 991-16 Model life 2017>>

Pos	Part Number	Description	Remark	Qty	Model
		bumper Spoiler Sport Design package	front		PR:XAS,XAT
1	991 505 013 90	Trim primed		1	PR:288,-636, -638
(1)	991 505 013 91	Trim primed		1	PR:288,636, 638
(1)	991 505 013 92	Trim primed		1	PR:-288, -636,-638
(1)	991 505 013 93	Trim primed		1	PR:636,638, -288
2	991 505 903 00	cover for towing eye		1	
	991 505 903 00 G2X	primed			
3	991 505 983 05	Spoiler		1	
	991 505 983 05 G2X	primed			
4	991 505 761 02	Retaining plate headlight washer system	left	1	PR:288
		also use:	000 043 300 47		
(4)	991 505 762 02	Retaining plate headlight washer system	right	1	PR:288
		also use:	000 043 300 47		
5	5Q0 919 275 B	Sensor Parking aid	inner	2	
	5Q0 919 275 B G2X	primed			
(5)	5Q0 919 275 C	Sensor Parking aid	outer	2	
	5Q0 919 275 C G2X	primed			
6	5Q0 919 133	seal ring Sensor Parking aid		4	
	5Q0 919 133 9B9	Satin black			
7	997 505 719 00	Fixing		1	
8	991 505 535 01	retaining strip	left	1	
(8)	991 505 536 01	retaining strip	right side	1	
9	982 807 341	Insert Trim		2	
10	999 073 227 09	panel screw ST4,8X19		6	
11	999 507 309 02	panel nut ST 4,8		6	
12	000 043 305 77	Adhesive set adhesive		1	
		with:			
-		emulsion tube	5 point		
		use if required:			
13	000 043 300 48	Tool set for adhesive		1	
14	991 701 051 00	Assembly kit Licence plate holder	ECE	1	PR:211,-075
	991 701 051 00 1E0	Black			
15	991 701 051 02	Assembly kit Licence plate holder	Japan	1	PR:209,-456
	991 701 051 02 1E0	Black			
(15)	991 701 051 05	Assembly kit Licence plate holder	Japan ACC	1	PR:209,456
	991 701 051 05 1E0	Black			
16	991 701 051 04	Assembly kit Licence plate holder	RDW	1	PR:210
	991 701 051 04 1E0	Black			
17	991 701 051 06	Assembly kit	China	1	PR:211,075

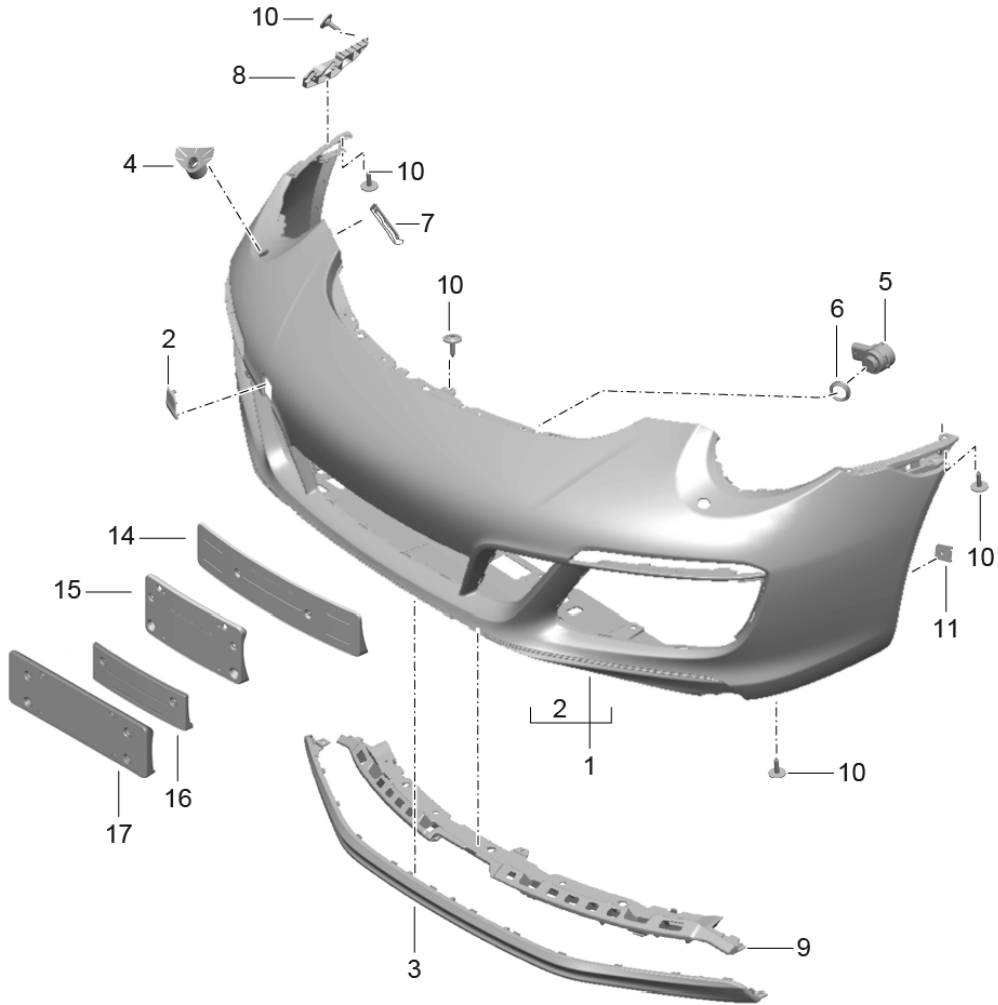
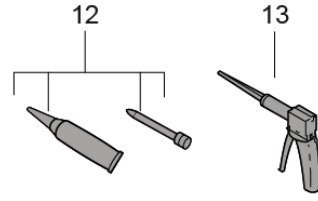
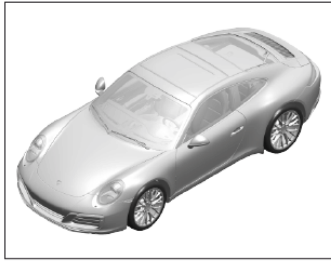
Model: 991-16

Model life 2017>>

Pos	Part Number	Description	Remark	Qty	Model
	991 701 051 06 1E0	Licence plate holder Black			

Model: 991-16

Model life 2017>>



Model: 991-16 Model life 2017>>

Pos	Part Number	Description	Remark	Qty	Model
		bumper Spoiler GTS	front		PR:011
1	991 505 013 90	Trim primed		1	PR:288,-636, -638
(1)	991 505 013 91	Trim primed		1	PR:288,636, 638
(1)	991 505 013 92	Trim primed		1	PR:-288, -636,-638
(1)	991 505 013 93	Trim primed		1	PR:636,638, -288
2	991 505 903 00	cover for towing eye		1	
	991 505 903 00 G2X	primed			
3	991 505 983 05	Spoiler	front	1	
	991 505 983 05 G2X	primed			
4	991 505 761 02	Retaining plate headlight washer system	left	1	PR:288
		also use:	000 043 300 47		
(4)	991 505 762 02	Retaining plate headlight washer system	right	1	PR:288
		also use:	000 043 300 47		
5	5Q0 919 275 B	Sensor Parking aid	inner	2	
	5Q0 919 275 B G2X	primed			
(5)	5Q0 919 275 C	Sensor Parking aid	outer	2	
	5Q0 919 275 C G2X	primed			
6	5Q0 919 133	seal ring Sensor Parking aid		4	
	5Q0 919 133 9B9	Satin black			
7	997 505 719 00	Fixing		1	
8	991 505 535 01	retaining strip	left	1	
(8)	991 505 536 01	retaining strip	right side	1	
9	982 807 341	Insert Trim		2	
10	999 073 227 09	panel screw ST4,8X19		6	
11	999 507 309 02	panel nut ST 4,8		6	
12	000 043 305 77	Adhesive set adhesive		1	
		with:			
-		emulsion tube	5 point		
		use if required:			
13	000 043 300 48	Tool set for adhesive		1	
14	991 701 051 00	Assembly kit Licence plate holder	ECE	1	PR:211,-075
	991 701 051 00 1E0	Black			
15	991 701 051 02	Assembly kit Licence plate holder	Japan	1	PR:209,-456
	991 701 051 02 1E0	Black			
(15)	991 701 051 05	Assembly kit Licence plate holder	Japan ACC	1	PR:209,456
	991 701 051 05 1E0	Black			
16	991 701 051 04	Assembly kit Licence plate holder	RDW	1	PR:210
	991 701 051 04 1E0	Black			
17	991 701 051 06	Assembly kit	China	1	PR:211,075



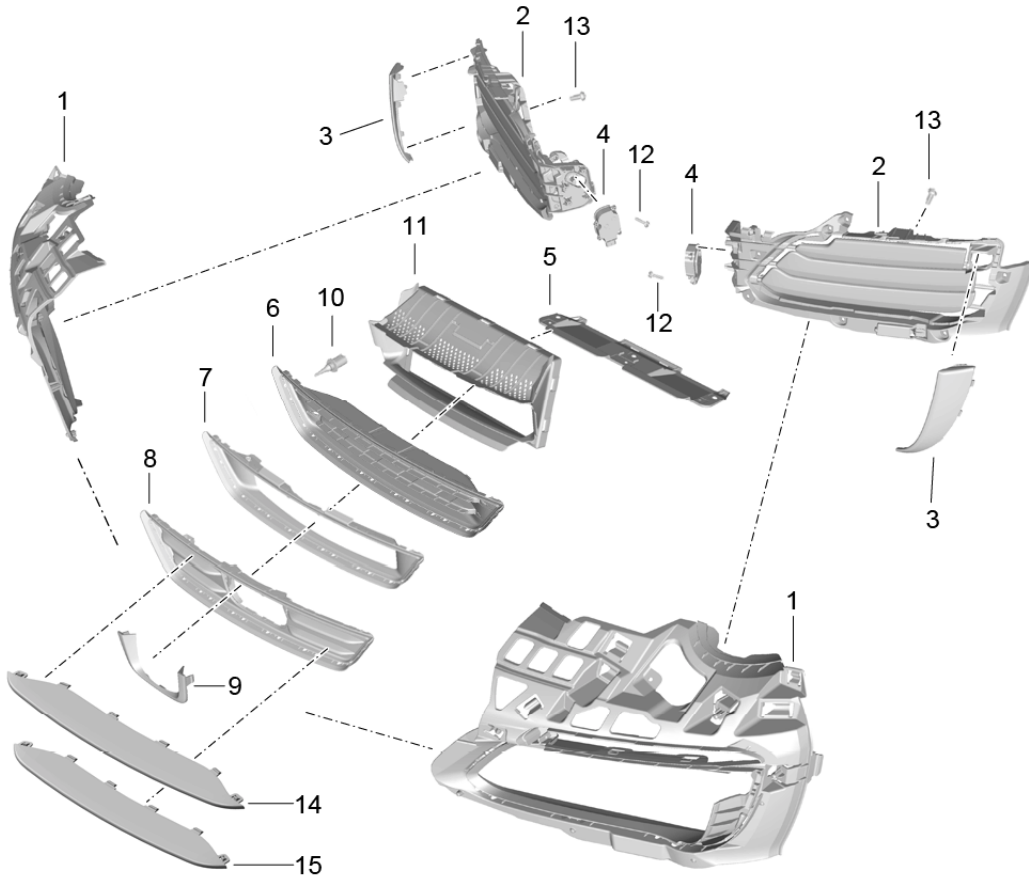
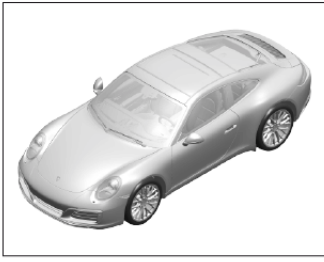
Model: 991-16

Model life 2017>>

Pos	Part Number	Description	Remark	Qty	Model
	991 701 051 06 1E0	Licence plate holder Black			

Model: 991-16

Model life 2017>>

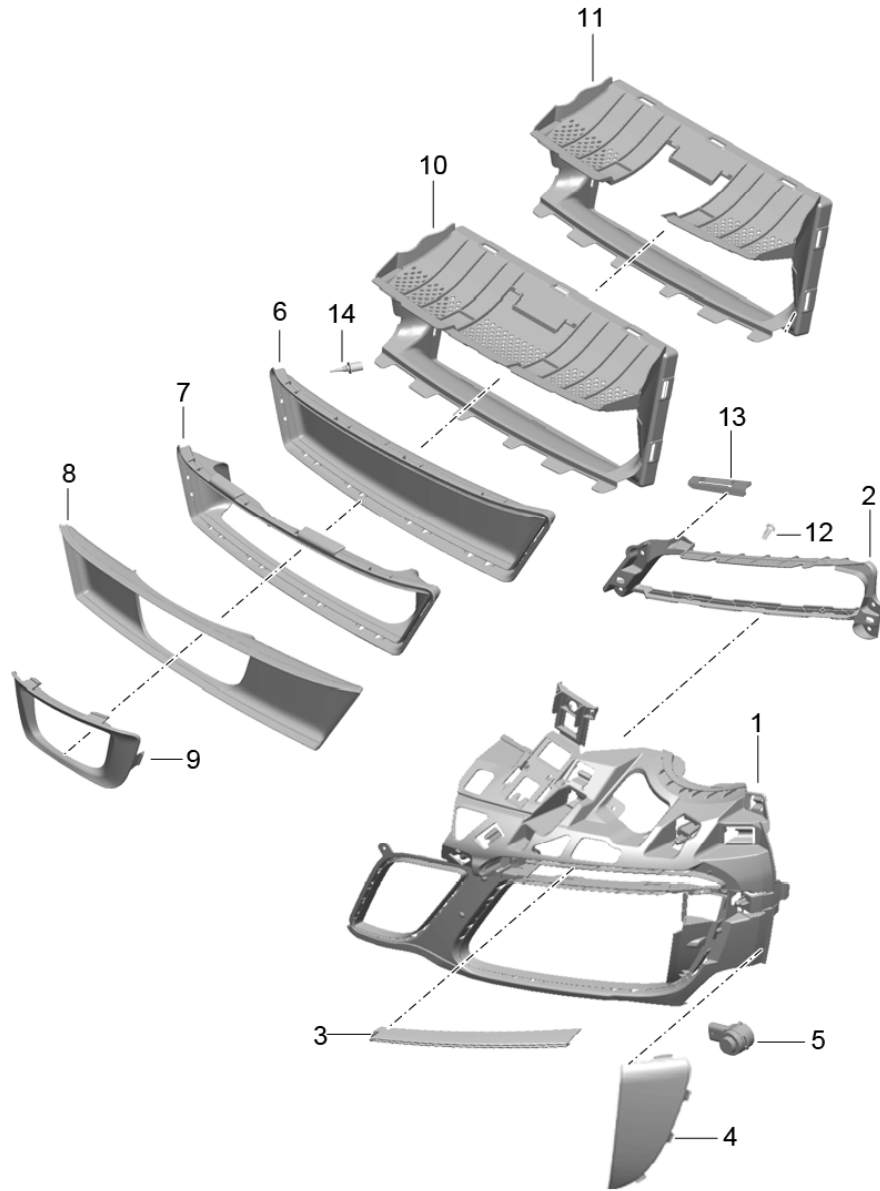
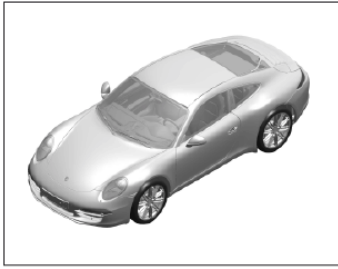


Model: 991-16 Model life 2017>>

Pos	Part Number	Description	Remark	Qty	Model
1	991 505 563 04	Air guide bumper Retaining frame	front left side	1	
(1)	991 505 563 04 OK1 991 505 564 04	Matt black Retaining frame	right side	1	
2	991 505 564 04 OK1 991 505 567 01	Matt black Cooling air control	left	1	
(2)	991 505 567 01 OK1 991 505 568 01	Matt black Cooling air control	right	1	
3	991 505 568 01 OK1 991 505 767 09	Matt black Trim Retaining frame	left	1	
(3)	991 505 767 09 OK1 991 505 765 03	Matt black Trim Retaining frame	left	1	PR:636,638
-	991 505 765 03 OK1	Matt black Sensor Parking aid			
(3)	991 505 768 09	see illustration: Trim Retaining frame	802-000 right	1	
(3)	991 505 768 09 OK1 991 505 766 03	Matt black Trim Retaining frame	right	1	PR:636,638
-	991 505 766 03 OK1	Matt black Sensor Parking aid			
4	95B 965 501 H	see illustration: Servomotor Disc pack	802-000 front	2	
5	991 575 161 03	Air deflector vane		1	PR:009,153, 250
6	991 505 569 04 991 505 569 04 OK1	Retaining frame Matt black	center	1	
7	991 505 569 05 991 505 569 05 OK1	Retaining frame Matt black	center	1	PR:859
8	991 505 569 06 991 505 569 06 OK1	Retaining frame ACC Matt black	center	1	PR:456
9	991 505 769 01	Trim Retaining frame ACC	center	1	PR:456
10	991 505 769 01 OK1 958 505 535 00	Matt black Sensor Ambient temperature gauge		1	
11	991 575 141 04 991 575 141 04 OK1	Air guide Matt black	center	1	PR:153
(11)	991 575 141 07 991 575 141 07 OK1	Air guide Matt black	center	1	PR:153,456
12	999 919 718 01	fillister hd. bolt 4,0X18		6	
13	999 919 246 01	fillister hd. bolt 6,0X18		2	
14	991 505 759 01 991 505 759 01 OK1	Disc Matt black	center upper	1	
15	991 505 759 02 991 505 759 02 OK1	Disc Matt black	center lower	1	

Model: 991-16

Model life 2017>>



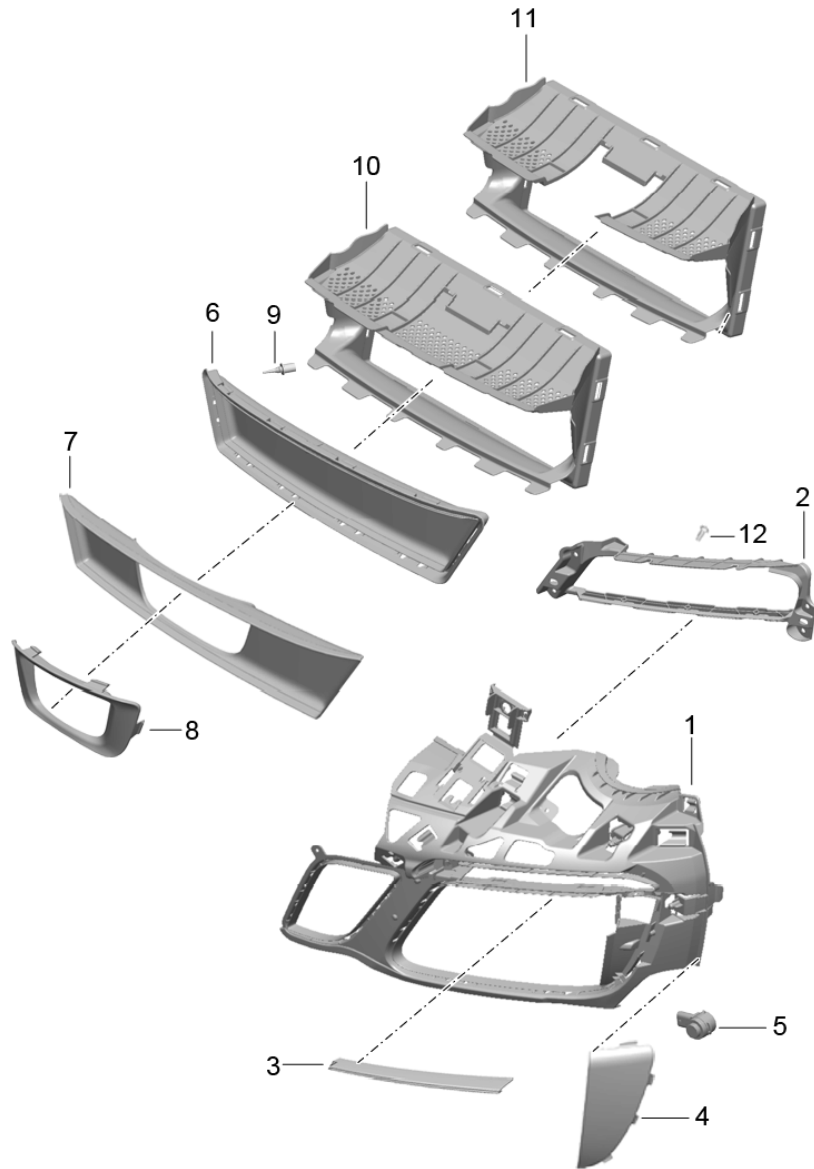
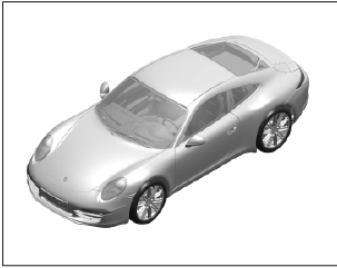
Model: 991-16

Model life 2017>>

Pos	Part Number	Description	Remark	Qty	Model
		Air guide bumper	front		PR:XAS,XAT
1	991 505 985 01	Sport Design package Retaining frame	left side	1	
(1)	991 505 985 01 OK1	Matt black			
	991 505 986 01	Retaining frame	right side	1	
	991 505 986 01 OK1	Matt black			
2	991 505 933 00	Support for bicycle	left	1	
(2)	991 505 934 00	Support for bicycle	right	1	
3	991 505 961 00	Disc	left	1	
		Retaining frame			
	991 505 961 00 OK1	Matt black			
(3)	991 505 962 00	Disc	right	1	
		Retaining frame			
	991 505 962 00 OK1	Matt black			
4	991 505 967 00	Trim	left	1	
		Retaining frame			
(4)	991 505 967 00 OK1	Matt black			
	991 505 965 00	Trim	left	1	PR:636,638
		Retaining frame			
(4)	991 505 965 00 OK1	Matt black			
	991 505 968 00	Trim	right	1	
		Retaining frame			
(4)	991 505 968 00 OK1	Matt black			
	991 505 966 00	Trim	right	1	PR:636,638
		Retaining frame			
5	991 505 966 00 OK1	Matt black			
		Sensor			
		Parking aid			
		see illustration:			
6	991 505 989 00	Retaining frame	802-001 center	1	PR:-456,-859
	991 505 989 00 1E0	Black			
7	991 505 989 03	Retaining frame	center	1	PR:-456,859
	991 505 989 03 1E0	Black			
8	991 505 989 01	Retaining frame	center	1	PR:456,-859
		ACC			
	991 505 989 01 1E0	Black			
9	991 505 995 00	Trim	center	1	PR:636,638
		ACC			
		Retaining frame			
	991 505 995 00 1E0	Black			
10	991 575 985 00	Air guide	center	1	PR:153,-456
	991 575 985 00 OK1	Matt black			
11	991 575 985 01	Air guide	center	1	PR:153,456
		with:			
		ACC			
	991 575 985 01 OK1	Matt black			
12	999 919 246 01	fillister hd. bolt		14	
		6,0X18			
13	999 507 696 00	U-clip		2	
		1,20-1,70			
14	958 505 535 00	Sensor		1	
		Ambient temperature gauge			

Model: 991-16

Model life 2017>>



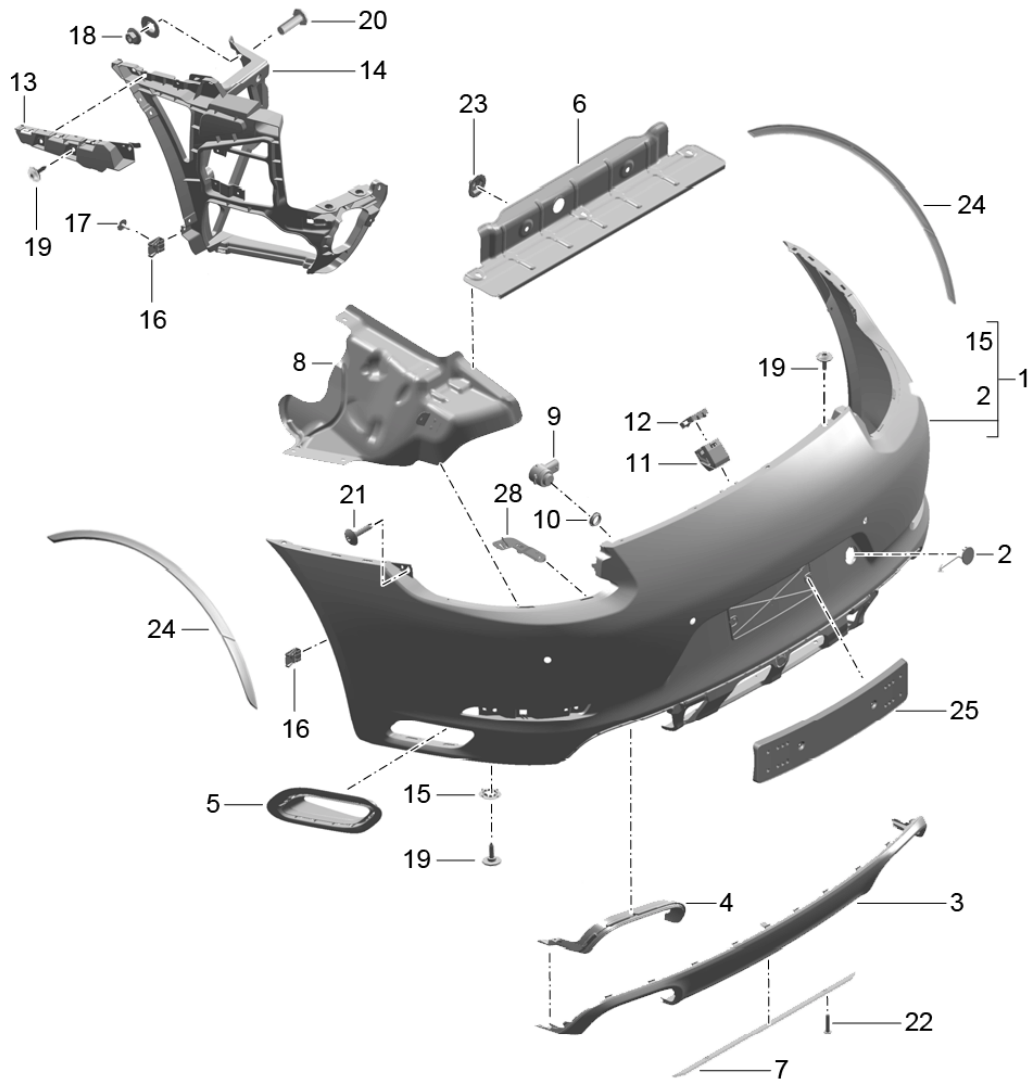
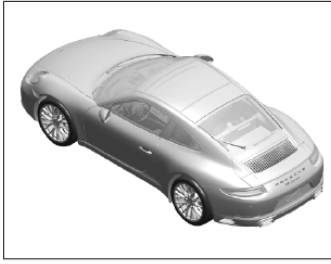
Model: 991-16

Model life 2017>>

Pos	Part Number	Description	Remark	Qty	Model
		Air guide bumper GTS	front		PR:011
1	991 505 985 01	Retaining frame	left side	1	
(1)	991 505 985 01 OK1	Matt black			
	991 505 986 01	Retaining frame	right side	1	
	991 505 986 01 OK1	Matt black			
2	991 505 933 00	Support for bicycle	left	1	
(2)	991 505 934 00	Support for bicycle	right	1	
3	991 505 961 00	Disc	left	1	
		Retaining frame			
	991 505 961 00 OK1	Matt black			
(3)	991 505 962 00	Disc	right	1	
		Retaining frame			
	991 505 962 00 OK1	Matt black			
4	991 505 967 00	Trim	left	1	
		Retaining frame			
(4)	991 505 967 00 OK1	Matt black			
	991 505 965 00	Trim	left	1	PR:636,638
		Retaining frame			
(4)	991 505 965 00 OK1	Matt black			
	991 505 968 00	Trim	right	1	
		Retaining frame			
(4)	991 505 968 00 OK1	Matt black			
	991 505 966 00	Trim	right	1	PR:636,638
		Retaining frame			
5	991 505 966 00 OK1	Matt black			
		Sensor			
		Parking aid			
		see illustration:			
6	991 505 989 00	Retaining frame	802-001 center	1	PR:-456,-859
	991 505 989 00 1E0	Black			
7	991 505 989 01	Retaining frame	center	1	PR:456,-859
		ACC			
	991 505 989 01 1E0	Black			
8	991 505 995 00	Trim	center	1	PR:636,638
		ACC			
		Retaining frame			
	991 505 995 00 1E0	Black			
9	958 505 535 00	Sensor		1	
		Ambient temperature gauge			
10	991 575 985 00	Air guide	center	1	PR:153,-456
	991 575 985 00 OK1	Matt black			
11	991 575 985 01	Air guide	center	1	PR:153,456
		with:			
		ACC			
	991 575 985 01 OK1	Matt black			
12	999 919 246 01	fillister hd. bolt 6,0X18		14	

Model: 991-16

Model life 2017>>





Model: 991-16 Model life 2017>>

Pos	Part Number	Description	Remark	Qty	Model
		bumper Carrera 2	rear		PR:-176
1	991 505 022 30	Bumper cover primed		1	
(1)	991 505 022 31	Bumper cover primed		1	PR:638
(1)	991 505 022 32	Bumper cover primed		1	PR:635,636
2	991 505 803 02	Cover cap Tow hitch		1	
	991 505 803 02 G2X	primed			
3	991 505 811 02	Trim	rear lower	1	
	991 505 811 02 OK1	Matt black			
4	991 505 651 02	Trim for exhaust tail pipe Tailpipe	left	1	
	991 505 651 02 OK1	Matt black			
(4)	991 505 652 02	Trim for exhaust tail pipe Tailpipe	right	1	
	991 505 652 02 OK1	Matt black			
5	991 505 665 01	Frame	left	1	
	991 505 665 01 OK1	Air exhaust Matt black			
(5)	991 505 666 01	Frame	right	1	
	991 505 666 01 OK1	Air exhaust Matt black			
6	991 505 471 01	Heat insulation	center upper	1	
7	991 505 837 01	retaining rail	lower	1	
8	991 505 477 02	Heat insulation	left inner	1	
(8)	991 505 478 02	Heat insulation	right inner	1	
9	5Q0 919 275 B	Sensor Parking aid		4	PR:636,638
	5Q0 919 275 B G2X	primed			
10	5Q0 919 133	seal ring Sensor		4	
	5Q0 919 133 9B9	Satin black			
11	991 505 899 01	Bracket Camera		1	
	991 505 899 01 OK1	Matt black			
12	991 505 901 01	arm Camera		1	
13	991 505 635 02	retaining rail	left side	1	
(13)	991 505 636 02	retaining rail	right side	1	
14	991 505 831 02	Bracket Trim	left side	1	
(14)	991 505 832 02	Bracket Trim	right side	1	
15	999 507 181 01	Reinforcement Insert		6	
		10,6X12,6			
16	999 507 309 02	panel nut ST 4,8		X	
17	999 073 505 01	panel screw ST4,8X16		4	
18	999 076 042 01	Hexagon nut M 6		4	
19	999 073 227 09	panel screw ST 4,8X19		X	

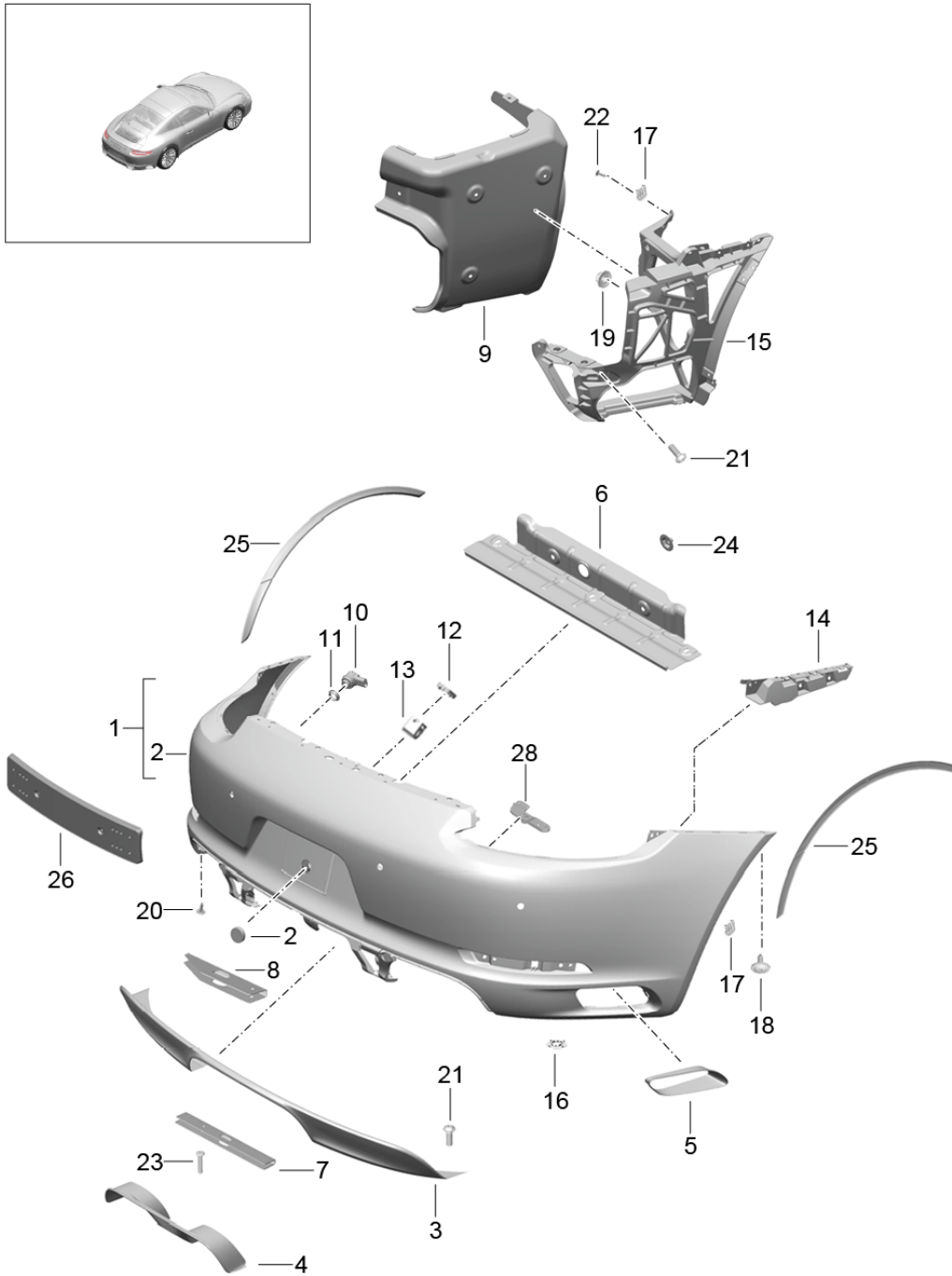
Model: 991-16

Model life 2017&gt;&gt;

Pos	Part Number	Description	Remark	Qty	Model
20	999 919 246 01	fillister hd. bolt ST 6,0X18,0-Q		2	
21	999 073 131 02	fillister hd. bolt M6X25-SC		2	
22	999 190 191 30	Pop rivet A 3,2X17,0		2	
23	999 049 039 01	Hexagon nut T6		X	
24	991 505 629 00	Set Cover primed	rear	1	Japan PR:193
25		Assembly kit Number plate		1	
28	9P1 937 540	see illustration: Bracket Wire set	802-000	1	

Model: 991-16

Model life 2017>>



Model: 991-16 Model life 2017>>

Pos	Part Number	Description	Remark	Qty	Model
		bumper Carrera 2	rear		PR:176
(1)	991 505 022 33	Bumper cover primed		1	PR:176,-636, -638
(1)	991 505 022 34	Bumper cover primed		1	PR:176,638
(1)	991 505 022 35	Bumper cover primed		1	PR:176,635, 636
2	991 505 803 02	Cover cap Tow hitch		1	
	991 505 803 02 G2X	primed			
3	991 505 811 04	Trim	rear lower	1	
	991 505 811 04 OK1	Matt black			
4	991 505 651 04	Trim for exhaust tail pipe Tailpipe		1	
	991 505 651 04 OK1	Matt black			
5	991 505 665 01	Frame Air exhaust	left	1	
	991 505 665 01 OK1	Matt black			
(5)	991 505 666 01	Frame Air exhaust	right	1	
	991 505 666 01 OK1	Matt black			
6	991 505 471 01	Heat insulation	center upper	1	
7	991 505 837 02	retaining rail	lower center	1	
8	991 505 837 03	retaining rail	lower outer	2	
9	991 505 477 02	Heat insulation	left outer	1	
(9)	991 505 478 02	Heat insulation	right outer	1	
10	5Q0 919 275 B	Sensor Parking aid		4	PR:636,638
	5Q0 919 275 B G2X	primed			
11	5Q0 919 133	seal ring Sensor		4	
	5Q0 919 133 9B9	Satin black			
12	991 505 899 01	Bracket Camera		1	
	991 505 899 01 OK1	Matt black			
13	991 505 901 01	arm Camera		1	
14	991 505 635 02	retaining rail	left side	1	
(14)	991 505 636 02	retaining rail	right side	1	
15	991 505 831 02	Bracket Trim	left side	1	
(15)	991 505 832 02	Bracket Trim	right side	1	
16	999 507 181 01	Reinforcement Insert		6	
		10,6X12,6			
17	999 507 309 02	panel nut ST 4,8		X	
18	999 073 505 01	panel screw ST4,8X16		4	
19	999 076 042 01	Hexagon nut M 6		4	
20	999 073 227 09	panel screw ST 4,8X19		X	

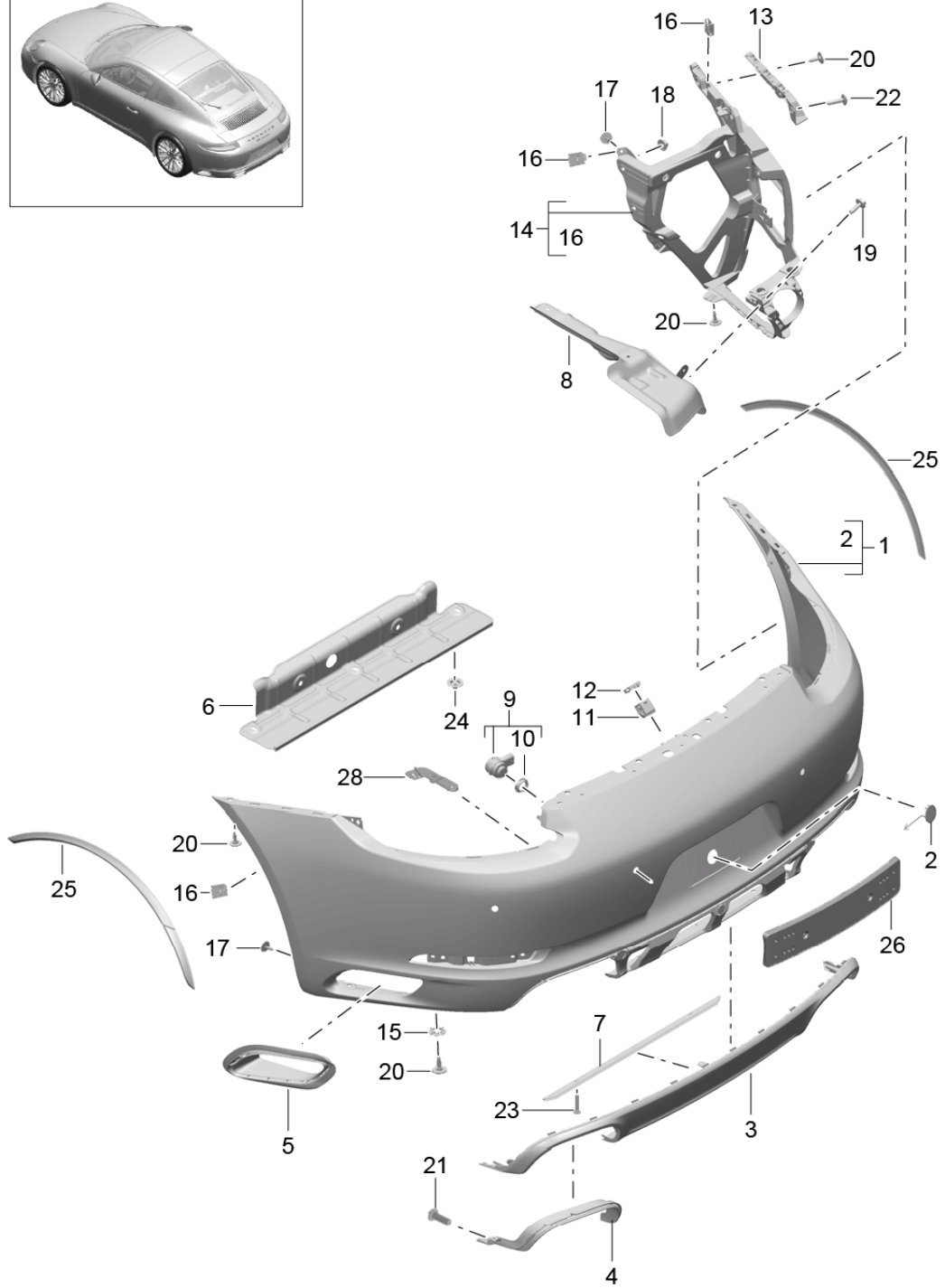
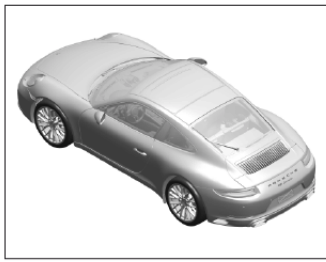
Model: 991-16

Model life 2017>>

Pos	Part Number	Description	Remark	Qty	Model
21	999 919 246 01	fillister hd. bolt ST 6,0X18,0-Q		2	
22	999 073 131 02	fillister hd. bolt M6X25-SC		2	
23	999 190 191 30	Pop rivet A 3,2X17,0		3	
24	999 049 039 01	Hexagon nut T6		X	
25	991 505 629 00	Set Cover primed	rear	1	Japan PR:193
26		Assembly kit Number plate		1	
28	9P1 937 540	see illustration: Bracket Wire set	802-000	1	

Model: 991-16

Model life 2017>>



Model: 991-16 Model life 2017>>

Pos	Part Number	Description	Remark	Qty	Model
1	991 505 022 60	bumper Carrera 4 Bumper cover primed	rear	1	PR:-176
(1)	991 505 022 61	Bumper cover primed		1	PR:638
(1)	991 505 022 62	Bumper cover primed		1	PR:635,636
2	991 505 803 02	Cover cap Tow hitch		1	
3	991 505 803 02 G2X 991 505 811 02	primed Trim	rear lower	1	
4	991 505 811 02 OK1 991 505 651 02	Matt black Trim for exhaust tail pipe Tailpipe	left	1	
(4)	991 505 651 02 OK1 991 505 652 02	Matt black Trim for exhaust tail pipe Tailpipe	right	1	
5	991 505 652 02 OK1 991 505 665 02	Matt black Frame	left	1	
(5)	991 505 665 02 OK1 991 505 666 02	Matt black Frame Air exhaust	right	1	
6	991 505 666 02 OK1 991 505 471 01	Matt black Heat insulation	center upper	1	
7	991 505 837 01	retaining rail	lower	1	
8	991 505 477 02	Heat insulation	left	1	
(8)	991 505 478 02	Heat insulation	outer right	1	
9	5Q0 919 275 B	Sensor Parking aid		4	PR:636,638
10	5Q0 919 275 B G2X 5Q0 919 133	primed seal ring		4	
11	5Q0 919 133 9B9 991 505 899 01	Sensor Satin black Bracket		1	
12	991 505 899 01 OK1 991 505 901 01	Camera Matt black arm		1	
13	991 505 635 03	Camera retaining rail	left side	1	
(13)	991 505 636 03	retaining rail	right side	1	
14	991 505 831 03	Bracket for trim	left side	1	
(14)	991 505 832 03	Bracket for trim	right side	1	
15	999 507 181 01	Reinforcement Insert		6	
16	999 507 309 02	10,6X12,6 panel nut		X	
17	999 073 505 01	ST 4,8 panel screw		4	
18	999 076 042 01	ST4,8X16 Hexagon nut		4	
19	999 143 101 01	M 6 Bolt with washer M6POWX22		2	

Model: 991-16

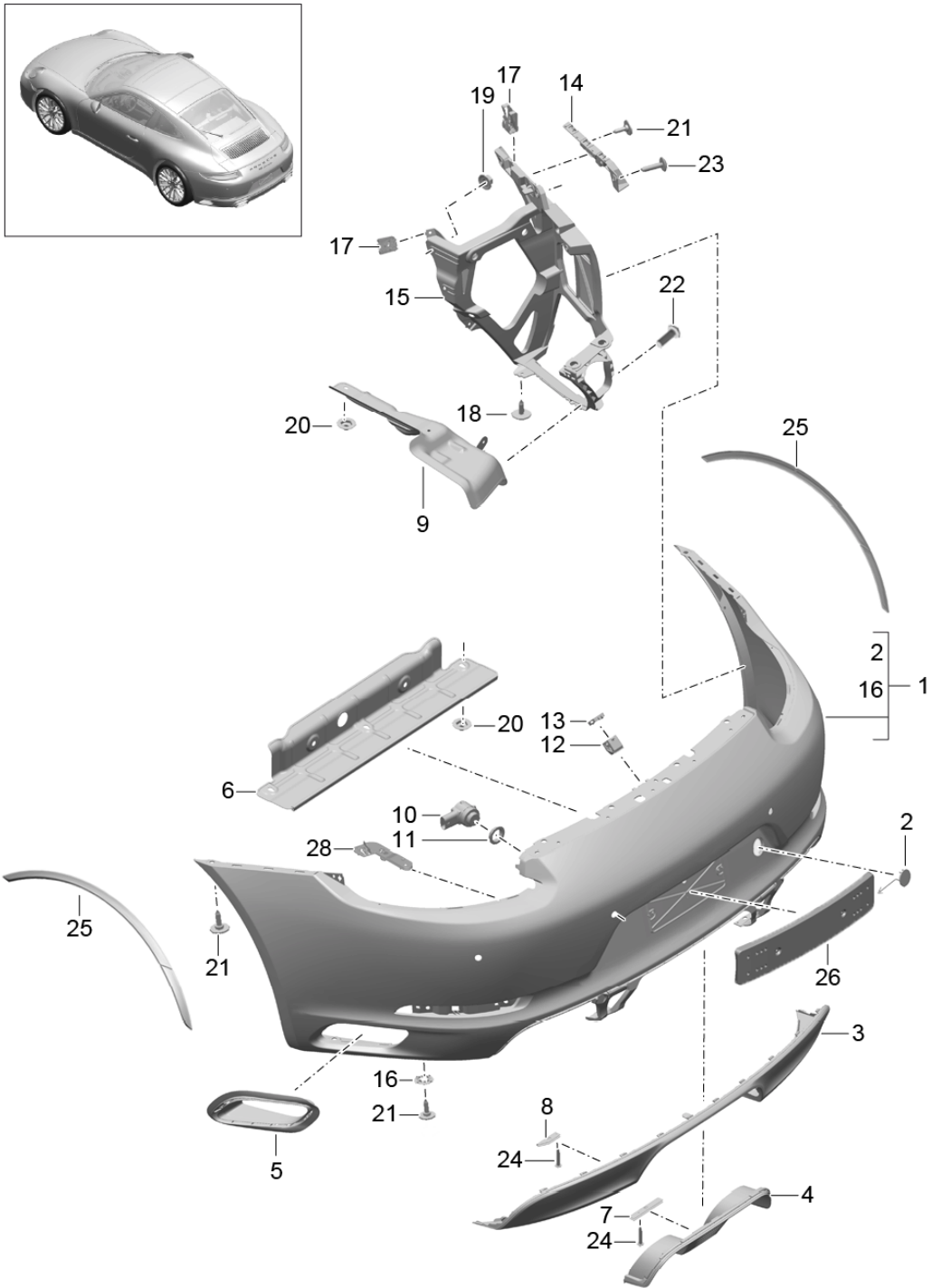
Model life 2017&gt;&gt;

Pos	Part Number	Description	Remark	Qty	Model
20	999 073 227 09	panel screw ST 4,8X19		X	
21	999 919 246 01	fillister hd. bolt ST 6,0X18,0-Q		2	
22	999 073 131 02	fillister hd. bolt M6X25-SC		2	
23	999 190 191 30	Pop rivet A 3,2X17,0		5	
24	999 049 039 01	Hexagon nut T6		X	
25	991 505 629 00	Set Cover primed	rear	1	Japan PR:193
26		Assembly kit Number plate		1	
28	9P1 937 540	see illustration: Bracket Wire set	802-000	1	



Model: 991-16

Model life 2017>>



Model: 991-16 Model life 2017>>

Pos	Part Number	Description	Remark	Qty	Model
		bumper CARRERA 4	rear		PR:176
1	991 505 022 63	Bumper cover primed		1	
(1)	991 505 022 64	Bumper cover primed		1	PR:638
(1)	991 505 022 65	Bumper cover primed		1	PR:635,636
2	991 505 803 02	Cover cap Tow hitch		1	
	991 505 803 02 G2X	primed			
3	991 505 811 04	Trim	rear lower	1	
	991 505 811 04 OK1	Matt black			
4	991 505 651 04	Trim for exhaust tail pipe Tailpipe		1	
	991 505 651 04 OK1	Matt black			
5	991 505 665 02	Frame Air exhaust	left	1	
	991 505 665 02 OK1	Matt black			
(5)	991 505 666 02	Frame Air exhaust	right	1	
	991 505 666 02 OK1	Matt black			
6	991 505 471 01	Heat insulation	center upper	1	
7	991 505 837 02	retaining rail	lower center	1	
8	991 505 837 03	retaining rail	lower outer	1	
9	991 505 477 02	Heat insulation	left outer	1	
(9)	991 505 478 02	Heat insulation	right outer	1	
10	5Q0 919 275 B	Sensor Parking aid		4	PR:636,638
	5Q0 919 275 B G2X	primed			
11	5Q0 919 133	seal ring Sensor		4	
	5Q0 919 133 9B9	Satin black			
12	991 505 899 01	Bracket Camera		1	
	991 505 899 01 OK1	Matt black			
13	991 505 901 01	arm Camera		1	
14	991 505 635 03	retaining rail	left side	1	
(14)	991 505 636 03	retaining rail	right side	1	
15	991 505 831 03	Bracket for trim	left side	1	
(15)	991 505 832 03	Bracket for trim	right side	1	
16	999 507 181 01	Reinforcement Insert		6	
		10,6X12,6			
17	999 507 309 02	panel nut ST 4,8		X	
18	999 073 505 01	panel screw ST4,8X16		4	
19	999 076 042 01	Hexagon nut M 6		4	
20	999 049 039 01	Hexagon nut T6		X	

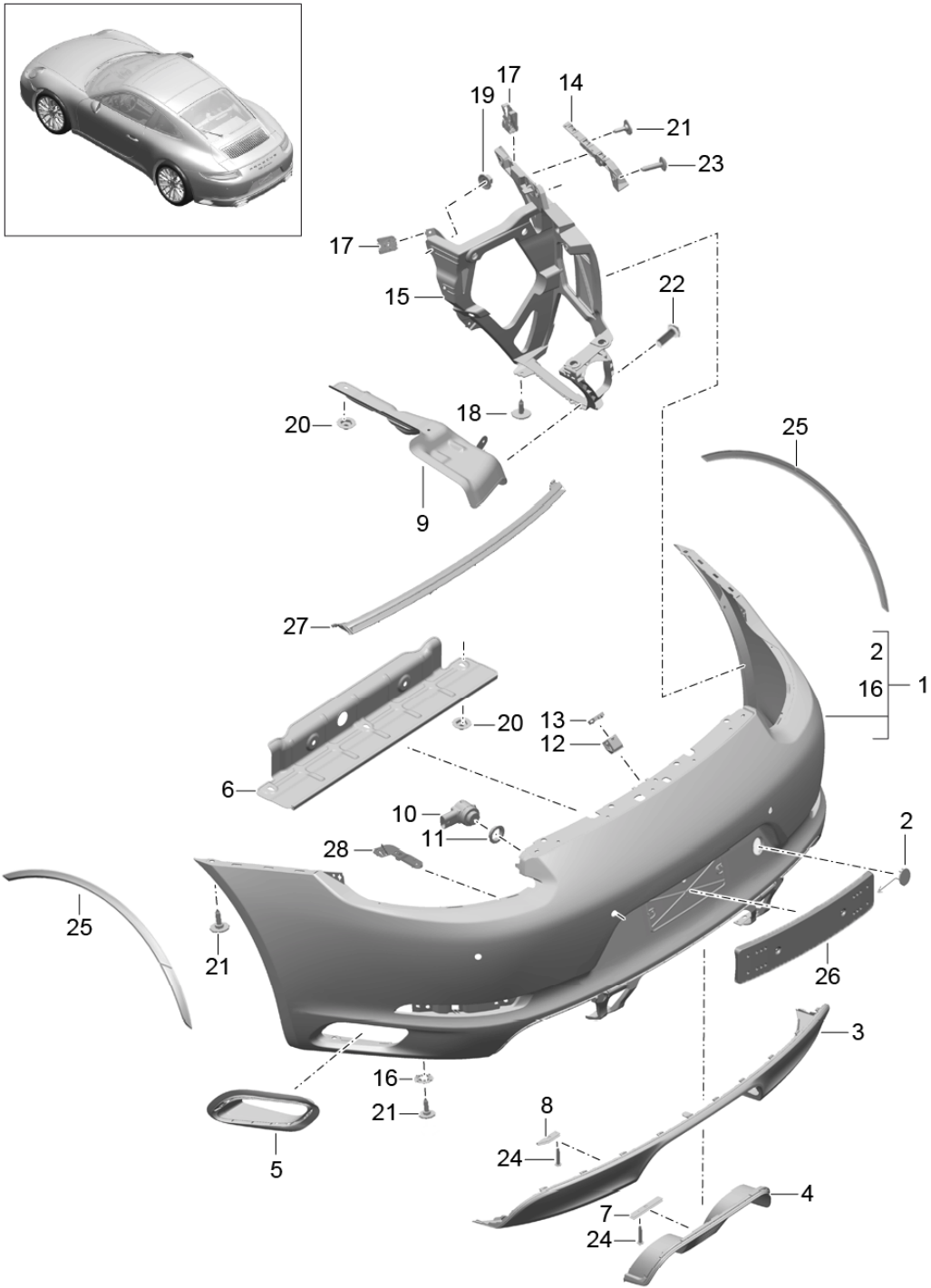
Model: 991-16

Model life 2017>>

Pos	Part Number	Description	Remark	Qty	Model
21	999 073 227 09	panel screw ST 4,8X19		X	
22	999 919 246 01	fillister hd. bolt ST 6,0X18,0-Q		2	
23	999 073 131 02	fillister hd. bolt M6X25-SC		2	
24	999 190 191 30	Pop rivet A 3,2X17,0		5	
25	991 505 629 00	Set Cover primed	rear	1	Japan PR:193
26		Assembly kit Number plate		1	
28	9P1 937 540	see illustration: Bracket Wire set	802-000	1	

Model: 991-16

Model life 2017>>



Model: 991-16 Model life 2017>>

Pos	Part Number	Description	Remark	Qty	Model
		bumper CARRERA 4 GTS	rear		PR:176,011
1	991 505 022 63	Bumper cover primed		1	PR:-635, -636,-638
(1)	991 505 022 64	Bumper cover primed		1	PR:638,-553
(1)	991 505 022 65	Bumper cover primed		1	PR:635,636, -553
2	991 505 803 02	Cover cap Tow hitch		1	
	991 505 803 02 G2X	primed			
3	991 505 811 04	Trim	rear lower	1	
	991 505 811 04 OK1	Matt black			
4	991 505 651 04	Trim for exhaust tail pipe Tailpipe		1	
	991 505 651 04 OK1	Matt black			
5	991 505 665 02	Frame	left	1	
	991 505 665 02 OK1	Air exhaust Matt black			
(5)	991 505 666 02	Frame	right	1	
	991 505 666 02 OK1	Air exhaust Matt black			
6	991 505 471 01	Heat insulation	center upper	1	
7	991 505 837 02	retaining rail	lower center	1	
8	991 505 837 03	retaining rail	lower outer	1	
9	991 505 477 02	Heat insulation	left outer	1	
(9)	991 505 478 02	Heat insulation	right outer	1	
10	5Q0 919 275 B	Sensor Parking aid		4	PR:636,638
	5Q0 919 275 B G2X	primed			
11	5Q0 919 133	seal ring Sensor		4	
	5Q0 919 133 9B9	Satin black			
12	991 505 899 01	Bracket Camera		1	
	991 505 899 01 OK1	Matt black			
13	991 505 901 01	arm Camera		1	
14	991 505 635 03	retaining rail	left side	1	
(14)	991 505 636 03	retaining rail	right side	1	
15	991 505 831 03	Bracket for trim	left side	1	
(15)	991 505 832 03	Bracket for trim	right side	1	
16	999 507 181 01	Reinforcement Insert 10,6X12,6		6	
17	999 507 309 02	panel nut ST 4,8		X	
18	999 073 505 01	panel screw ST4,8X16		4	
19	999 076 042 01	Hexagon nut M 6		4	
20	999 049 039 01	Hexagon nut		X	

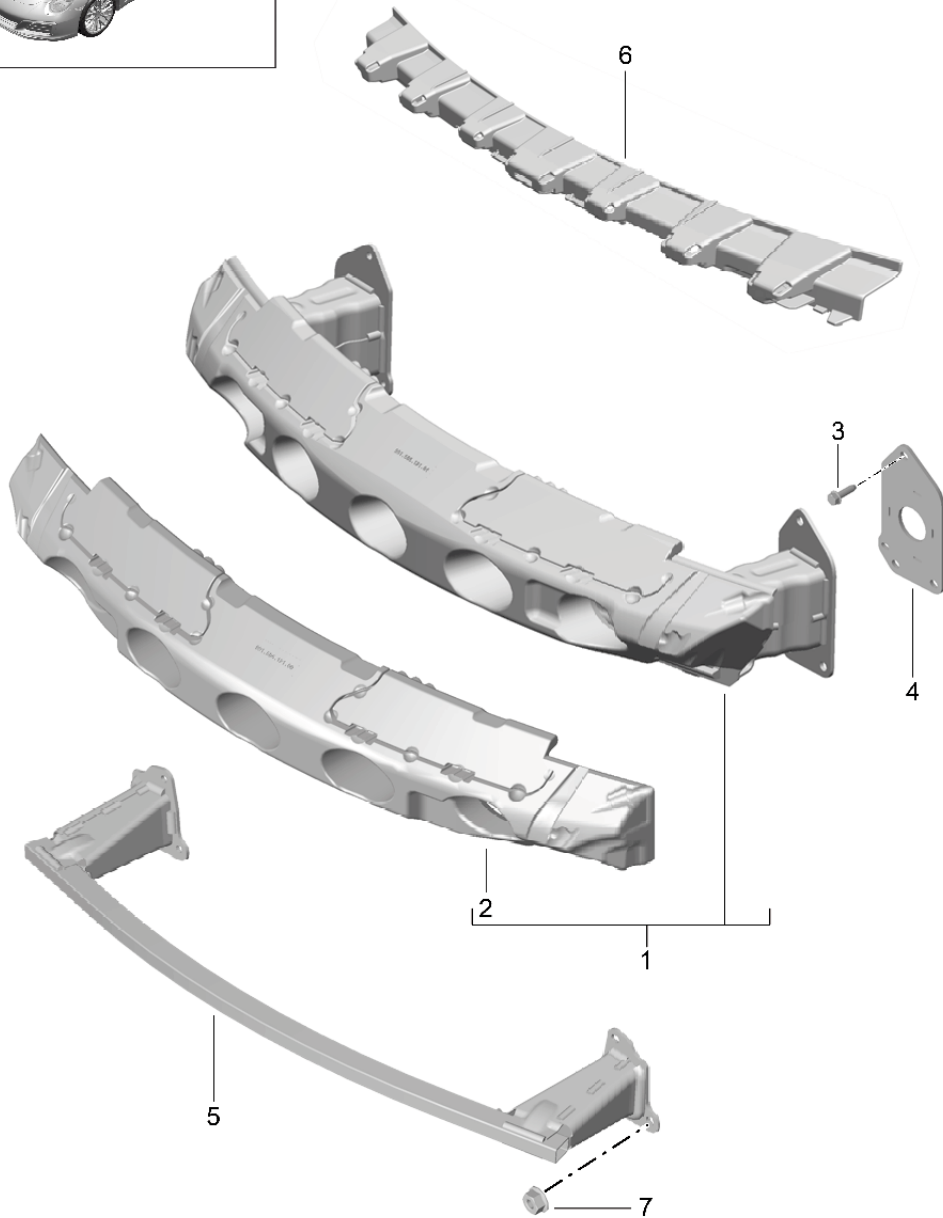
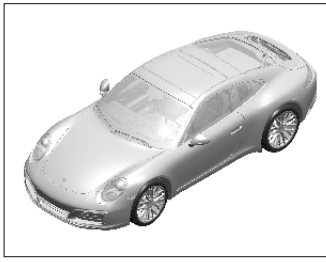
Model: 991-16

Model life 2017>>

Pos	Part Number	Description	Remark	Qty	Model
21	999 073 227 09	T6 panel screw ST 4,8X19		X	
22	999 919 246 01	fillister hd. bolt ST 6,0X18,0-Q		2	
23	999 073 131 02	fillister hd. bolt M6X25-SC		2	
24	999 190 191 30	Pop rivet A 3,2X17,0		5	
25	991 505 629 00	Set Cover primed	rear	1	Japan PR:193
26		Assembly kit Number plate see illustration:	802-000	1	
27	991 505 821 02	Trim Carrera 2	rear upper	1	
(27)	991 505 821 02 OK1	Matt black Reflector cover Carrera 4 see illustration:	905-005	1	
28	9P1 937 540	Bracket Wire set		1	
29	991 505 477 03	Heat insulation	left inner	1	PR:7CP
(29)	991 505 478 03	Heat insulation	right inner	1	PR:7CP

Model: 991-16

Model life 2017>>



Model: 991-16

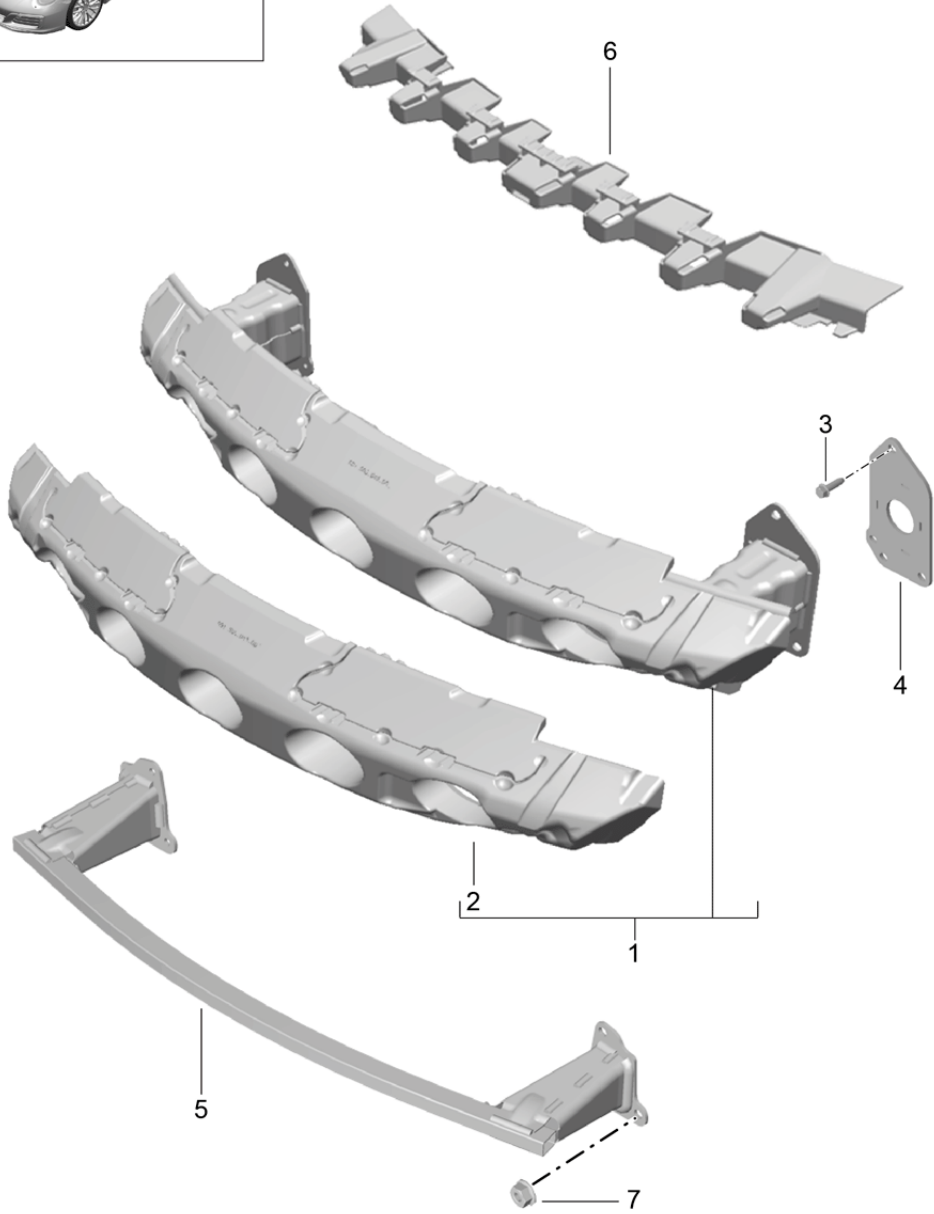
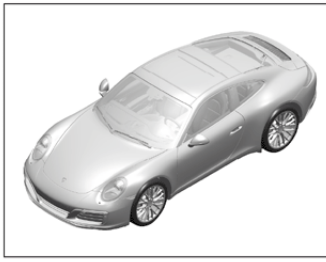
Model life 2017>>

Pos	Part Number	Description	Remark	Qty	Model
1	991 505 121 04	Bumper carrier Bumper carrier (complete)	front front	1	
		with:			
2	991 505 777 03	Foam part Foam part		1	
3	900 378 351 01	Pedestrian protection Hexagon bolt		6	
4	991 505 771 00	M 8 X 30 Seal		2	
5	991 505 531 04	Shock absorber Carrier	front	1	PR:070
(5)	991 505 531 05	Pedestrian protection Carrier	front	1	PR:-070
6	991 505 787 01	protective clip Insert		1	
7	N 106 092 04	Pedestrian protection Hexagon collar nut M 8		6	



Model: 991-16

Model life 2017>>



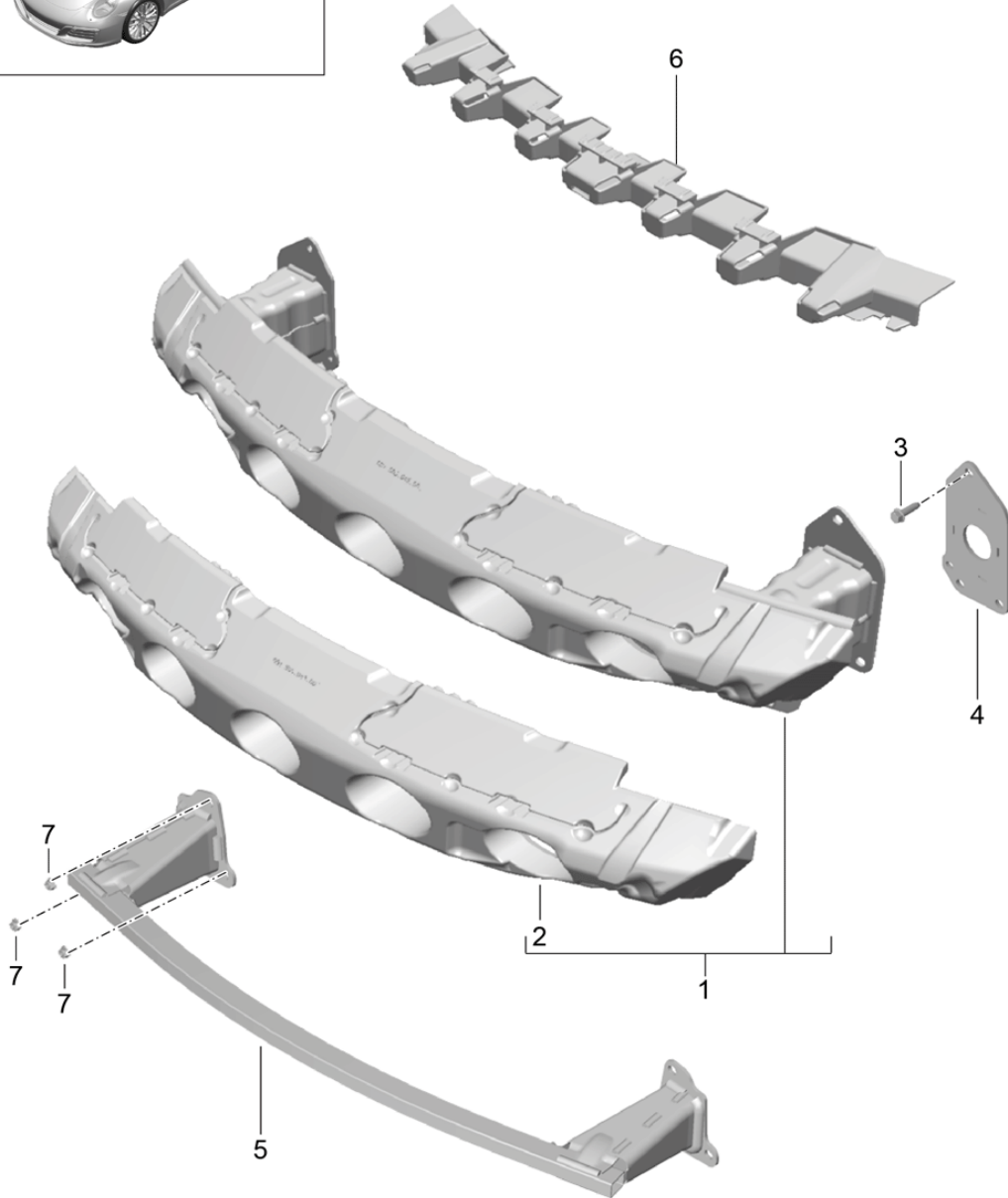
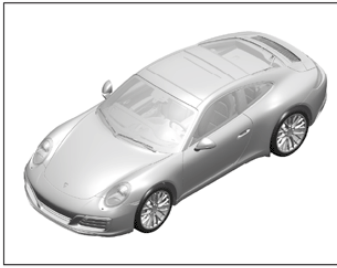
Model: 991-16

Model life 2017>>

Pos	Part Number	Description	Remark	Qty	Model
1	991 505 943 00	Bumper carrier Sport Design package Bumper carrier (complete)	front front	1	PR: XAS, XAT
		with:			
2	991 505 977 00	Foam part Foam part		1	
3	900 378 351 01	Pedestrian protection Hexagon bolt		6	
4	991 505 771 00	M 8 X 30 Seal		2	
5	991 505 531 04	Shock absorber Carrier	front	1	PR:070
(5)	991 505 531 05	Pedestrian protection Carrier	front	1	PR:-070
6	991 505 940 00	protective clip Insert		1	
7	N 106 092 04	Pedestrian protection Hexagon collar nut M 8		6	

Model: 991-16

Model life 2017>>



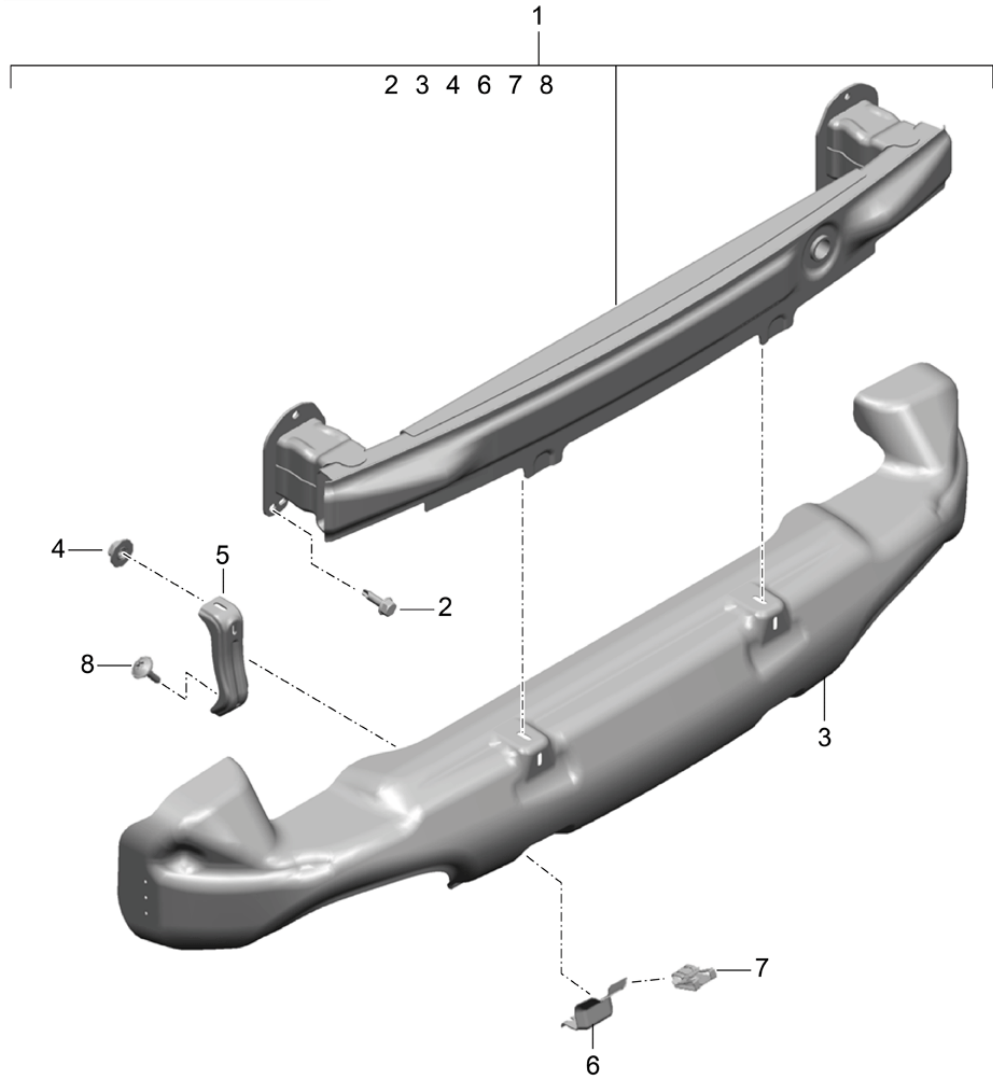
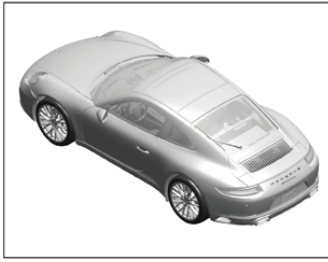
Model: 991-16

Model life 2017>>

Pos	Part Number	Description	Remark	Qty	Model
1	991 505 943 00	Bumper carrier GTS Bumper carrier (complete)	front front	1	PR:011
		with:			
2	991 505 977 00	Foam part Foam part		1	
3	900 378 351 01	Pedestrian protection Hexagon bolt		6	
4	991 505 771 00	M 8 X 30 Seal		2	
5	991 505 531 04	Shock absorber Carrier	front	1	PR:070
(5)	991 505 531 05	Pedestrian protection Carrier	front	1	PR:-070
(6)	991 505 940 00	protective clip Insert		1	
7	N 106 092 04	Pedestrian protection Hexagon collar nut M 8		6	

Model: 991-16

Model life 2017>>



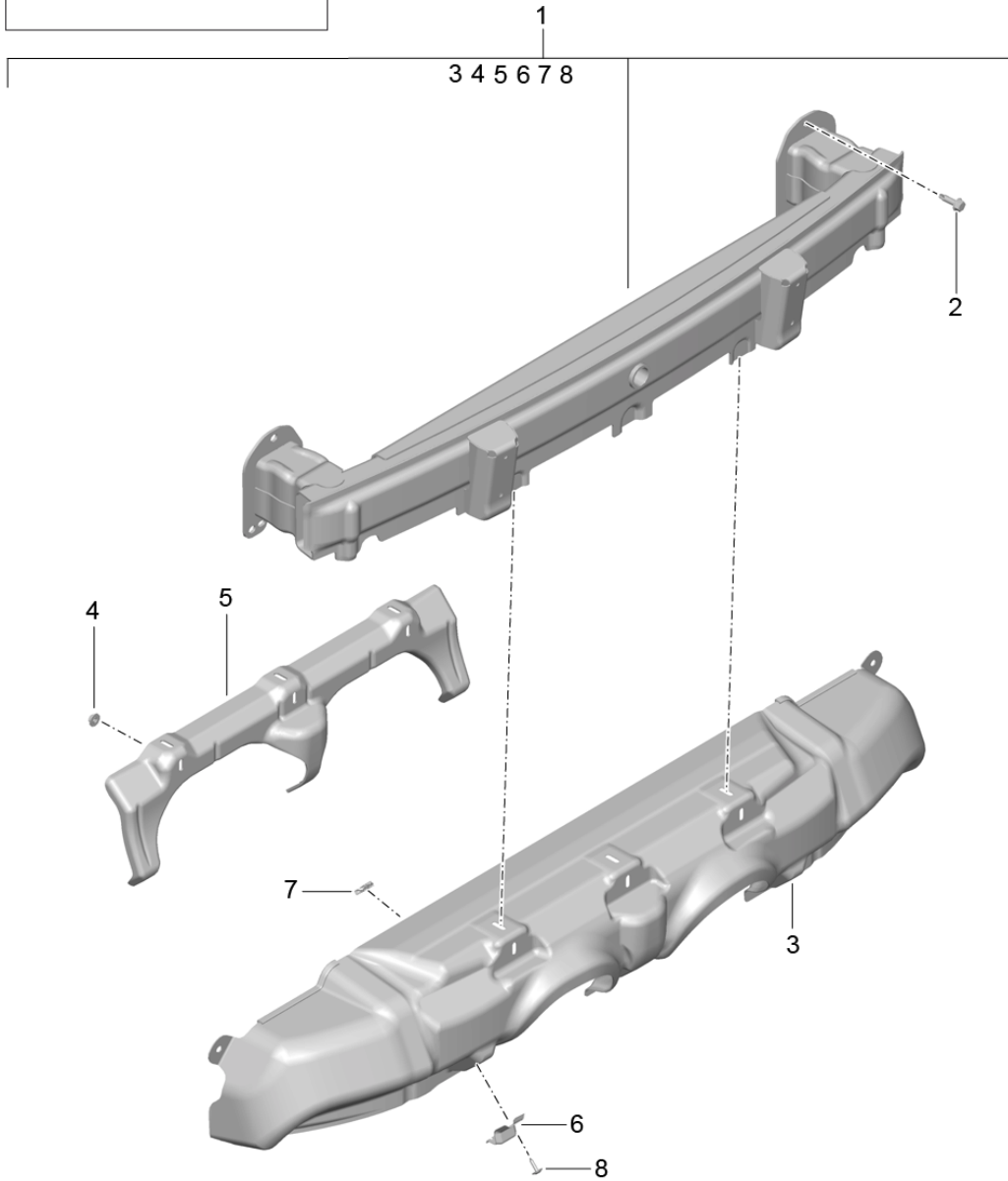
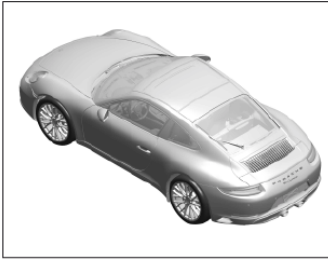
Model: 991-16

Model life 2017>>

Pos	Part Number	Description	Remark	Qty	Model
1	991 505 141 04	Bumper carrier Bumper carrier	rear rear	1	PR:-176 PR:-176
		with:			
2	900 378 351 01	Heat protection Hexagon bolt M 8 X 30		6	
3	991 505 475 02	Heat insulation	center	1	PR:-176
4	999 076 091 01	Hexagon nut M6-S		X	
5	991 505 639 02	Rear support		2	PR:-176
6	996 505 649 01	angle		2	
7	999 507 309 02	panel nut ST 4,8		4	
8	999 073 418 01	panel screw ST4,8X19-C		X	

Model: 991-16

Model life 2017>>



Model: 991-16

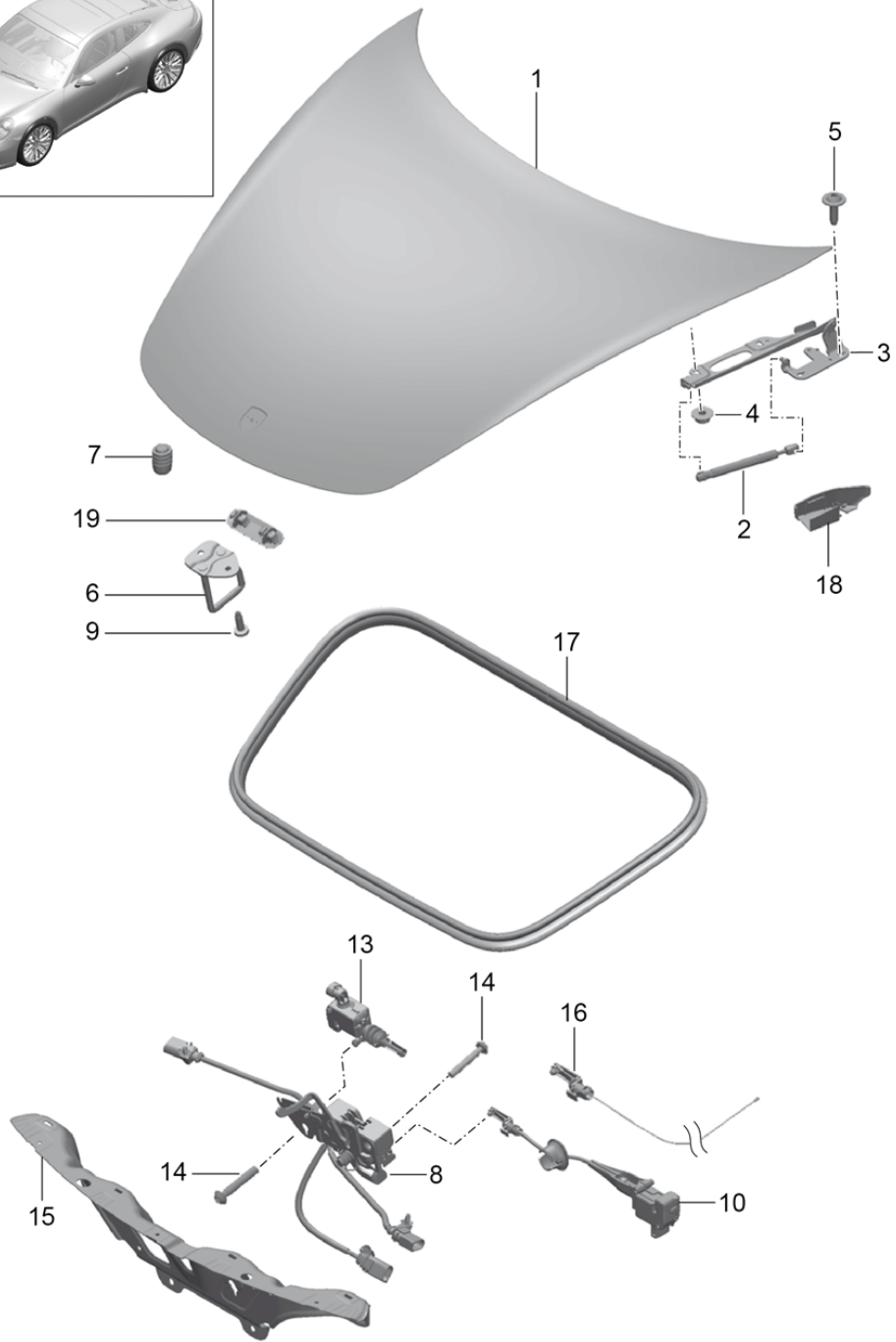
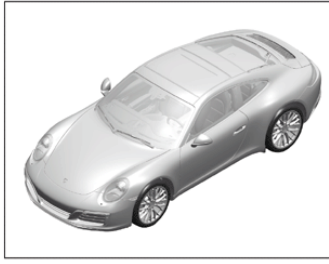
Model life 2017>>

Pos	Part Number	Description	Remark	Qty	Model
		Bumper carrier	rear		PR:176
		Sports tailpipe			
(1)	991 505 141 08	Bumper carrier	rear	1	PR:176
		with:			
		Heat protection			
2	900 378 351 01	Hexagon bolt		6	
		M 8 X 30			
(3)	991 505 475 04	Heat insulation	center	1	PR:176
4	999 076 091 01	Hexagon nut		6	
		M6-S			
5	991 505 639 03	Rear support		2	PR:176
6	996 505 649 01	angle		3	
7	999 507 309 02	panel nut		6	
		ST 4,8			
8	999 073 418 01	panel screw		3	
		ST4,8X19-C			



Model: 991-16

Model life 2017>>



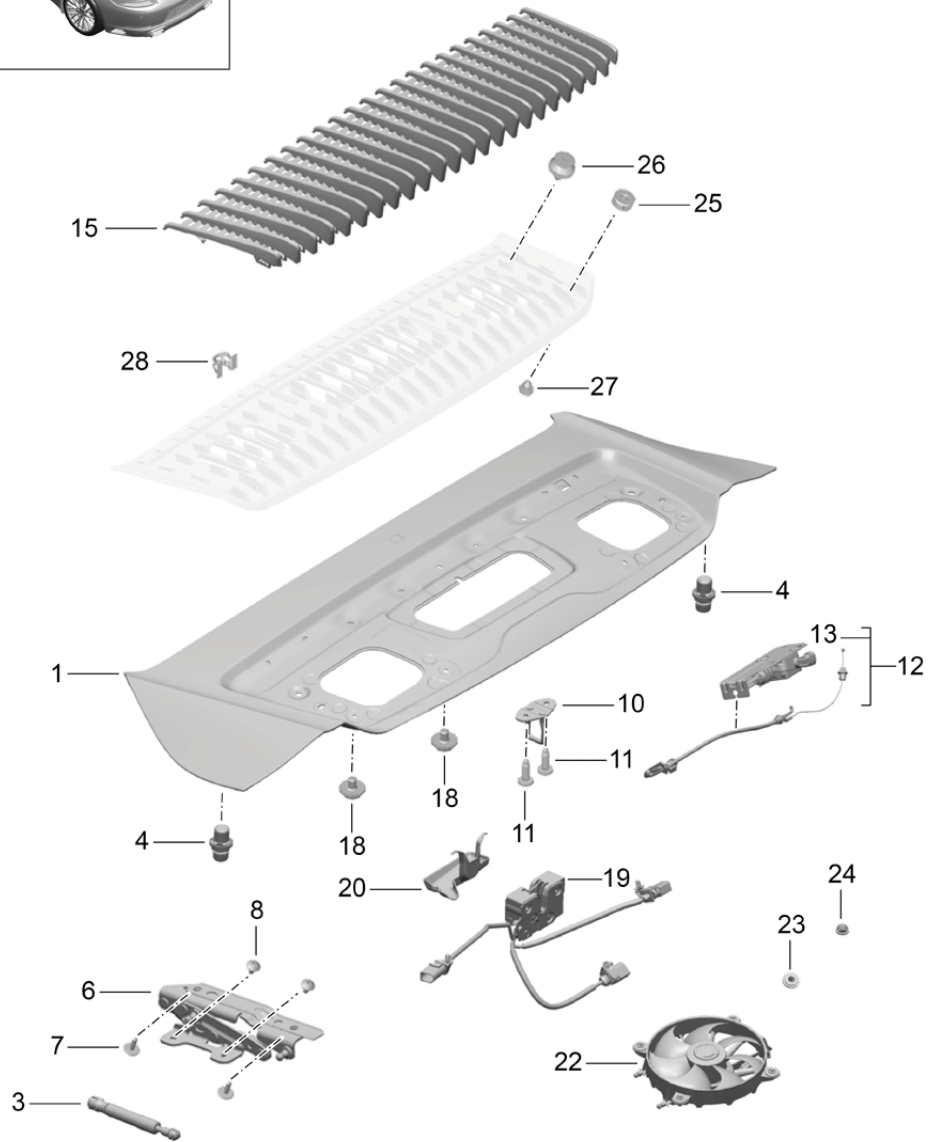
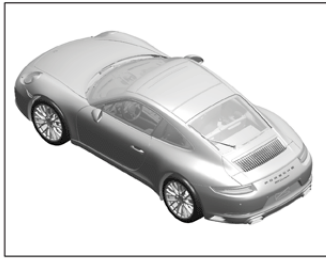
Model: 991-16

Model life 2017>>

Pos	Part Number	Description	Remark	Qty	Model
1	991 511 011 04	Cover	front	1	
	991 511 011 04 GRV	Cover primed			
2	991 511 551 00	Gas filled strut		2	
3	991 511 151 03	Hinge	left	1	
(3)	991 511 152 03	Hinge	right	1	
4	999 076 066 09	Hexagon nut		4	
		M6			
5	N 911 883 02	Hexagon socket head bolt		4	
		M6 X 20			
6	991 511 051 00	Lock upper part		1	
7	999 703 140 40	Rubber buffer		2	
8	991 511 033 05	Lock lower part		1	
9	999 073 378 02	flat round head bolt		2	
		M6 X 20			
10	991 504 117 20	throttle control element		1	
11	999 919 717 01	fillister hd. bolt		2	
		5,0X27			
14	999 919 717 01	fillister hd. bolt		2	
		5,0 X 27			
15	9P1 806 620	Bracket		1	
16	991 511 217 01	Cable		1	
		Emergency operation			
17	991 511 611 03	Seal		1	
		Cover			
18	991 511 651 02	Hose bracket	left	1	
	991 511 651 02 1E0	Black			
(18)	991 511 652 02	Hose bracket	right	1	
	991 511 652 02 1E0	Black			
19	991 511 649 00	Protective cap		1	

Model: 991-16

Model life 2017>>



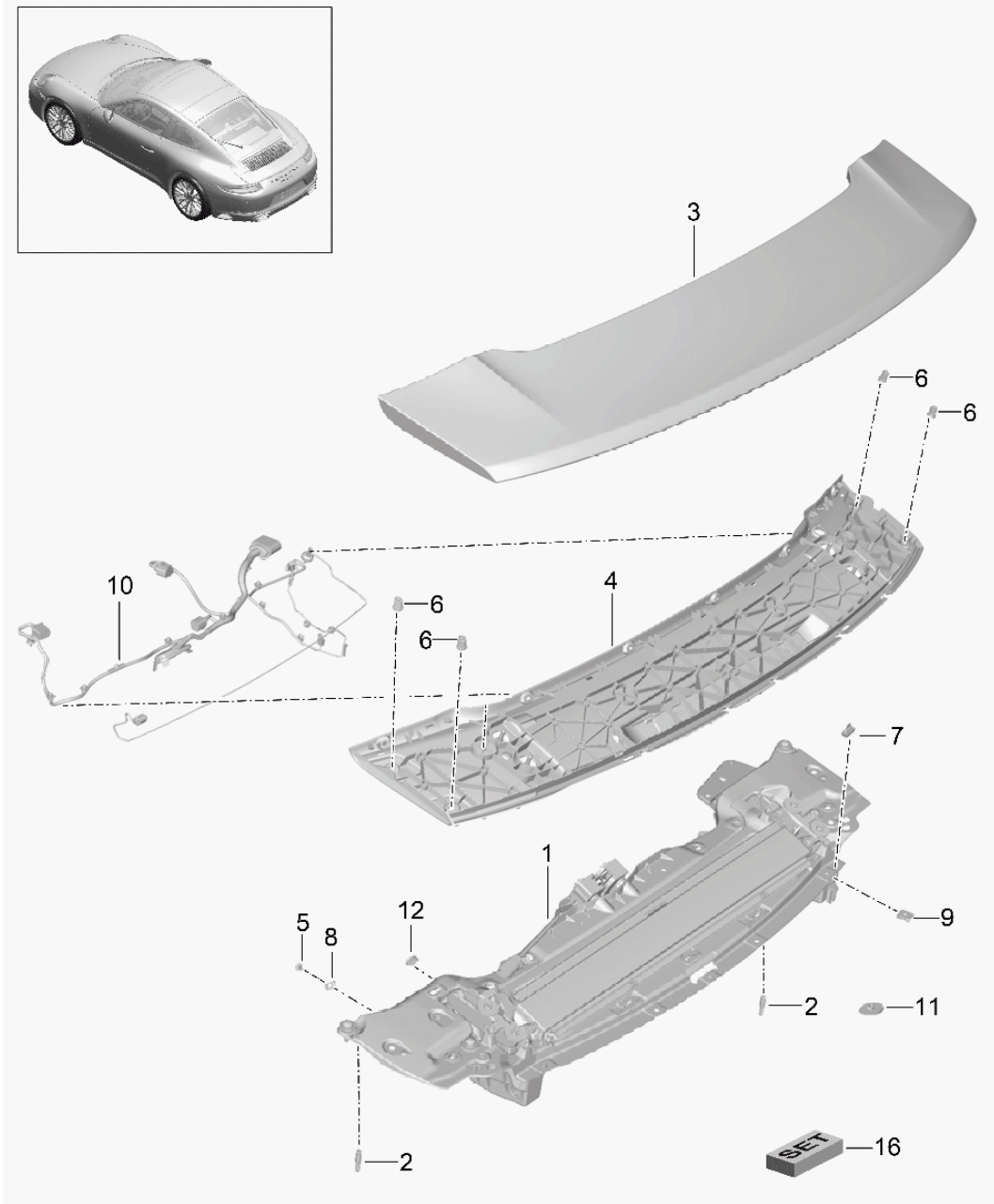
Model: 991-16

Model life 2017>>

Pos	Part Number	Description	Remark	Qty	Model
1	991 512 011 20	Cover Cover	rear	1	PR:QU1, QV0, QV1, QV3
(1)	991 512 011 20 GRV 991 512 011 21 991 512 011 21 GRV	primed Cover primed		1	PR:QU8
3	991 512 551 20	Gas filled strut		2	
4	8X0 827 499	stop buffer, adjustable Adjustable		2	Coupe
6	991 512 151 20	Hinge	left	1	
(6)	991 512 152 20	Hinge	right	1	
7	N 911 883 01	Hexagon socket head bolt M6 X 20		4	
8	N 910 966 01	Hexagon socket flat head bolt M6 X 12		4	
10	991 512 213 20	Striker		1	
11	999 073 378 02	flat round head bolt M6 X 20		2	
12	991 504 117 20	throttle control element		1	
		with:			
13	991 504 553 20	Bowden cable		1	
15	991 512 331 21	Ventilation grille (complete)		1	PR:-XAX
	991 512 331 21 041	Black			
	991 512 331 21 OK1	Matt black			
15	991 512 331 23	Ventilation grille (complete)		1	
	991 512 331 23 G2X	primed			
15	991 512 331 23	Ventilation grille (complete)		1	PR:037
	991 512 331 23 G2X	primed			
18	996 564 245 00	Bolt with washer 5X8		4	PR:011, XAS
19	991 504 053 00	Lid lock		1	
20	991 504 683 00	Water guide housing Lid lock	rear	1	
22	991 624 052 01	Fan Discontinued part		2	
23	991 624 353 00	Grommet		X	
24	958 110 673 00	Grommet		X	
25	997 512 671 00	clamping nut		X	
26	999 507 897 40	Retaining clip 7,8X1,6		7	
27	999 703 270 40	Stop buffer 5,5X9X8,6		X	
28	999 507 584 01	Clamp 8,0X10,2/2,0		X	

Model: 991-16

Model life 2017>>

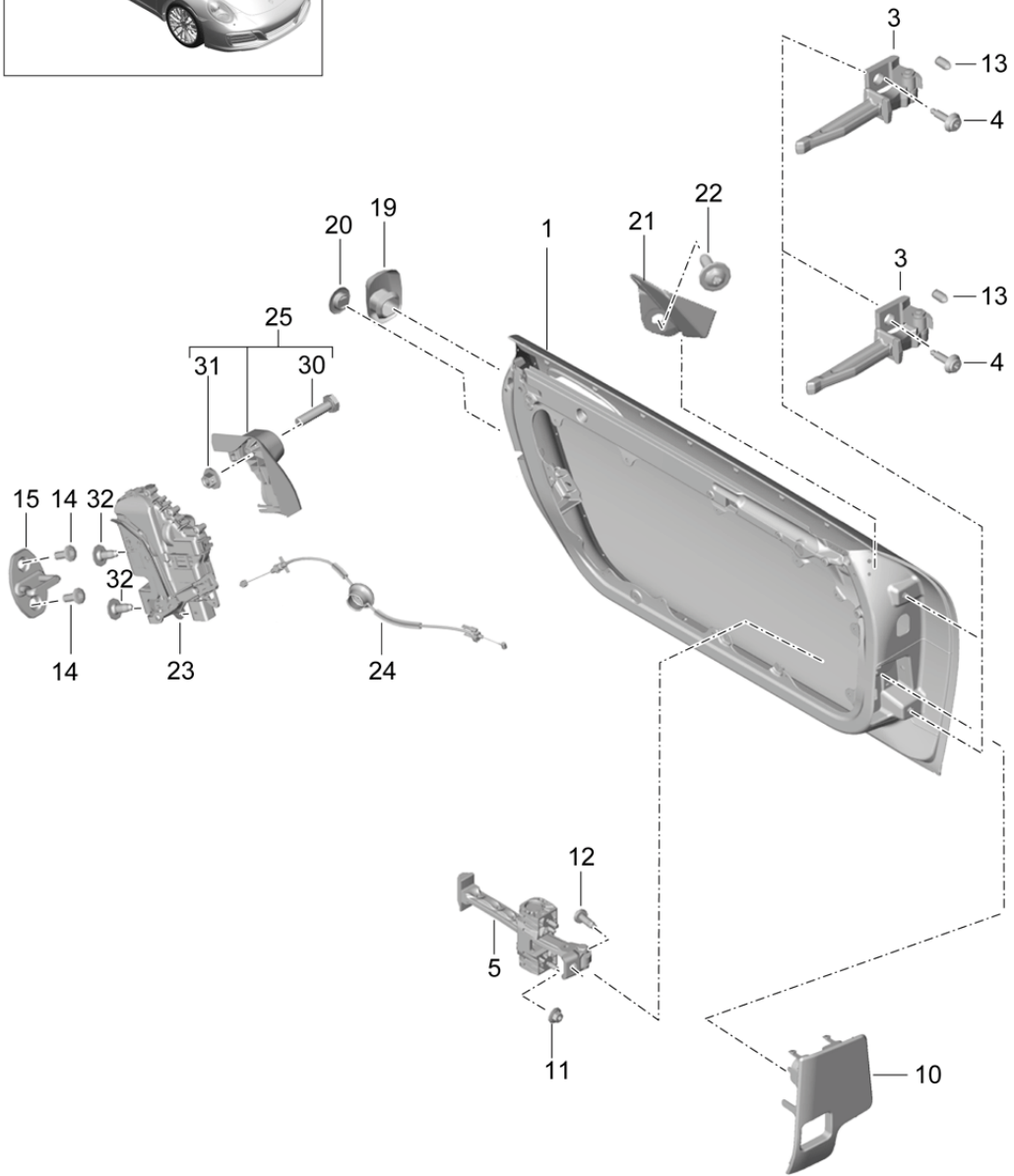
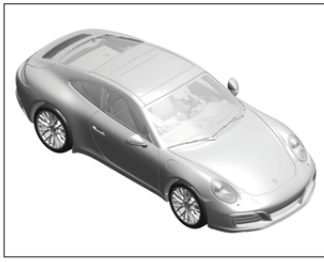


Model: 991-16 Model life 2017>>

Pos	Part Number	Description	Remark	Qty	Model
1	991 504 041 24	Rear spoiler Drive unit for rear spoiler (complete)		1	COUPE
1	991 504 041 26	Driving mechanism Rear spoiler (complete)		1	COUPE
(1)	991 504 041 25	D - MJ 2017>> Drive unit for rear spoiler (complete)		1	CABRIO
(1)	991 504 041 27	Driving mechanism Rear spoiler (complete)		1	CABRIO
2	991 504 621 00	D - MJ 2017>> Centring journal Carrier		2	
3	991 504 241 25	Rear spoiler Upper part primed		1	
(3)	991 504 981 19	Rear spoiler Upper part primed		1	C2 PR:XAT
(3)	991 504 981 19	D >> - 10.04.2017 Rear spoiler Upper part primed		1	C4 PR:XAT
(3)	991 504 981 21	D - 10.04.2017>> Spoiler Upper part primed		1	PR:-011,XAT
4	991 504 205 24	D - 11.04.2017>> Spoiler Lower part		1	C2 PR:-011
(4)	991 504 205 25	Spoiler Lower part		1	C4
5	N 909 868 03	Hexagon socket head panel bolt ST 4,2 X13 Mount Spoiler Lower part		5	
6	999 703 885 40	Stop buffer 6X14,5X20		4	
7	999 703 274 40	Rubber bush 19X5X2		2	C2
8	999 507 785 01	panel nut ST 4,2		X	PR:789
9	999 507 309 02	panel nut ST 4,8		6	
10	9P1 974 224 D	Wire set Rear spoiler		1	Coupe PR:-XAA,-XAT
(10)	9P1 974 224 E	Wire set Rear spoiler		1	Cabrio PR:-XAT
11	999 073 138 01	flat round head bolt M8X25		X	
(12)	991 504 275 21	Cover cap Spoiler		X	
16	991 504 903 00	Parts set Mount Spoiler Lower part		1	

Model: 991-16

Model life 2017>>



Model: 991-16 Model life 2017>>

Pos	Part Number	Description	Remark	Qty	Model
		Door shell Installation parts Door lock			
1	9P1 831 051 B	Door shell	left	1	
	9P1 831 051 B GRV	primed			
(1)	9P1 831 052 B	Door shell	right	1	
	9P1 831 052 B GRV	primed			
3	991 531 319 00	Hinge	left	2	
(3)	991 531 320 00	Hinge	right	2	
4	999 073 192 01	Socket head bolt M 8 X 33		2	
5	991 537 151 00	Door catch		2	
10	991 537 931 00	Cover Door catch Black	left	1	
		See technical information GR. 5 NR. 16/14			
(10)	991 537 932 00	Cover Door catch Black	right	1	
		See technical information GR. 5 NR. 16/14			
11	999 076 042 01	Hexagon nut M 6		4	
12	999 073 138 01	flat round head bolt M 8 X 25		2	
13	958 537 947 00	Cover cap Hinge		4	
14	N 910 174 01	countersunk multi-point socket head bolt M 8 X 22		4	
15	3C0 837 767 A	Striker		2	
19	9P1 837 111	Cover Door frame		1	
	9P1 837 111 1E0	Black			
20	9P1 837 111 A	Cover Emergency operation Door frame		1	
	9P1 837 111 A 1E0	Black			
21	991 537 831 00	Support Wing	left	1	
	991 537 831 00 1E0	Black			
(21)	991 537 832 00	Support Wing	right	1	
	991 537 832 00 1E0	Black			
22	999 073 322 02	fillister hd. bolt M6X20-SC		1	
23	8J1 837 015 E	Door lock	left	1	PR:098,-072, -553,-250
(23)	8J1 837 015 F	Door lock	left	1	PR:072,553, -250
(23)	4G1 837 015	Door lock	left	1	PR:098,-072, -553,250
(23)	9A7 837 315 00	Door lock	left	1	PR:098,-072, -553,250
(23)	4G1 837 015 A	Door lock	left	1	PR:072,553, 250
(23)	8J1 837 016 E	Door lock	right	1	PR:098,-072, -553,-250
(23)	8J1 837 016 F	Door lock	right	1	PR:072,553, -250
(23)	8J2 837 015 E	Door lock	left	1	PR:099,250, 487



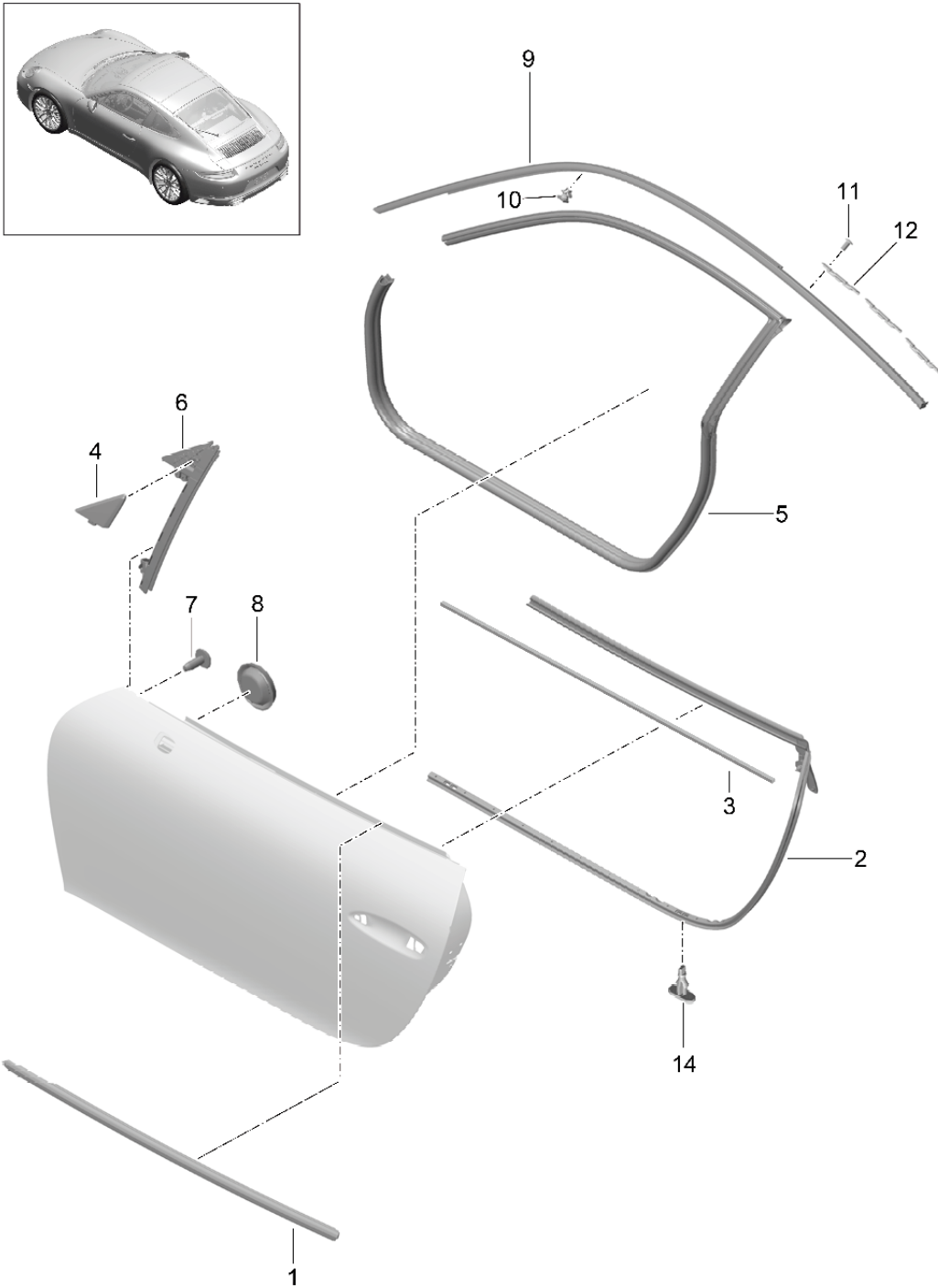
Model: 991-16

Model life 2017&gt;&gt;

Pos	Part Number	Description	Remark	Qty	Model
(23)	8J2 837 016 E	Door lock	right	1	PR:099,487
(23)	4G2 837 016	Door lock	right	1	PR:099,250
24	991 537 319 00	Bowden cable		2	
25	991 537 045 01	Door lock door lock cover (drivers side)	lhd	1	PR:098
(25)	991 537 046 01	door lock cover (drivers side)	rhd	1	PR:099
30	N 010 218 13	Hexagon bolt M 6 X 25		1	
31	999 084 212 03	Hexagon nut M 6		1	
32	WHT 003 688	fillister head bolt (combi.) M 8 X 16		4	

Model: 991-16

Model life 2017>>

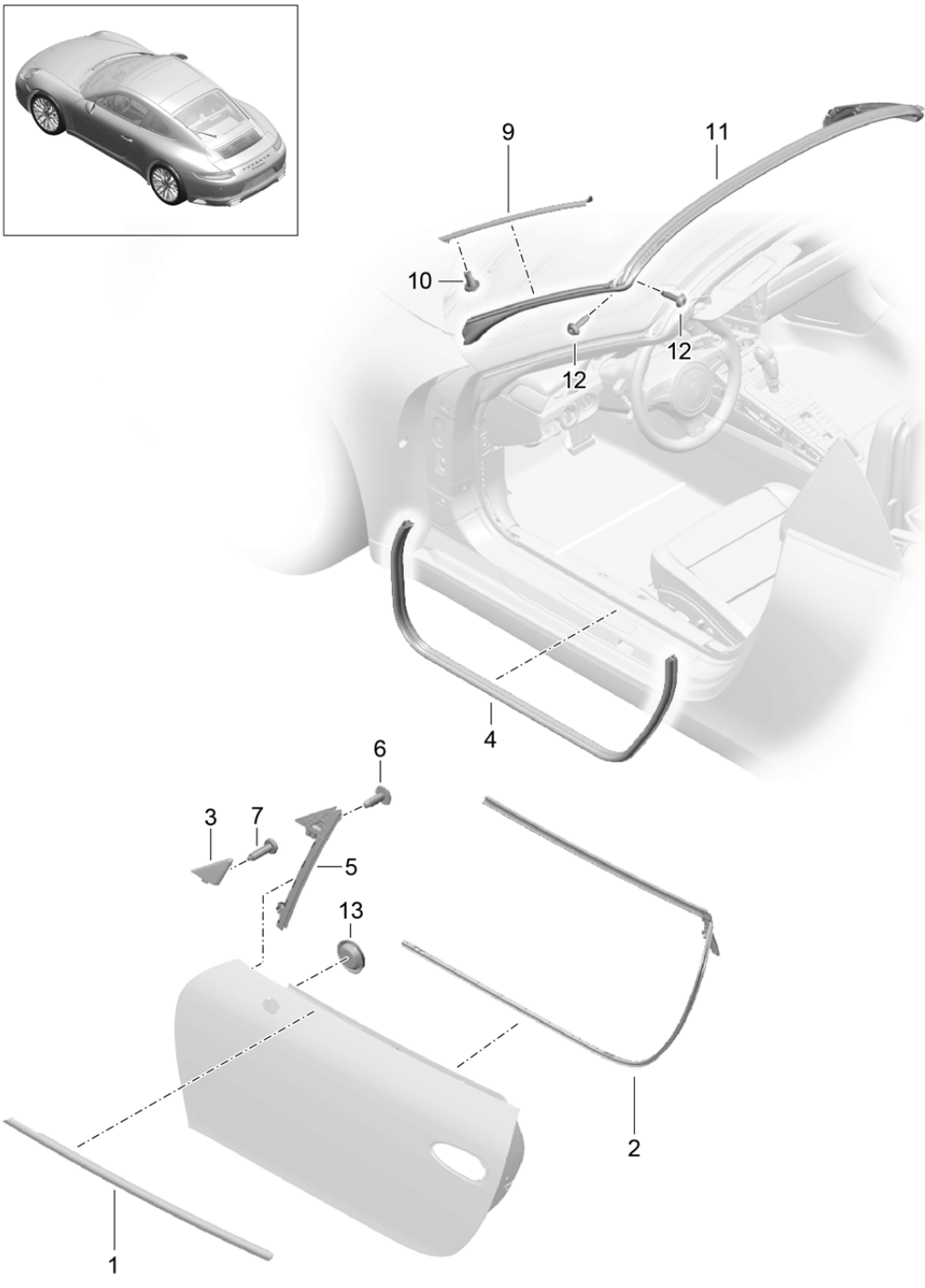


Model: 991-16 Model life 2017>>

Pos	Part Number	Description	Remark	Qty	Model
		Door seal and Trim			Coupe
1	991 537 085 01	Seal	left	1	PR:-559
		Door channel	outer		
(1)	991 537 085 01 03C	Rally black			
	991 537 085 02	Seal	left	1	PR:559
		Door channel	outer		
(1)	991 537 085 02 V09	Alushine			
	991 537 086 01	Seal	right	1	PR:-559
		Door channel	outer		
(1)	991 537 086 01 03C	Rally black			
	991 537 086 02	Seal	right	1	PR:559
		Door channel	outer		
	991 537 086 02 V09	Alushine			
2	991 537 377 00	Seal	left	1	
		Door channel	inner		
(2)	991 537 378 00	Seal	right	1	
		Door channel	inner		
3	999 911 201 40	sealing tape		1	
		1000 X 10 X 3 MM			
4	991 537 551 03	Cover	left	1	
			outer		
(4)	991 537 551 03 1E0	Black			
	991 537 552 03	Cover	right	1	
			outer		
	991 537 552 03 1E0	Black			
5	991 537 075 04	Door seal	left	1	
			inner		
(5)	991 537 076 04	Door seal	right	1	
			inner		
6	991 537 431 04	Window guide	left	1	
(6)	991 537 432 04	Window guide	right	1	
7	999 073 333 09	fillister hd. bolt		6	
		M6X16-SC			
8	999 703 543 40	End cap		1	
		25,0X35,0			
9	991 537 481 02	Trim	left	1	PR:-559
		roof frame	side		
(9)	991 537 481 02 03C	Rally black			
	991 537 481 03	Trim	left	1	PR:559
		roof frame	side		
(9)	991 537 481 03 V09	Alushine			
	991 537 482 02	Trim	right	1	PR:-559
		roof frame	side		
(9)	991 537 482 02 03C	Rally black			
	991 537 482 03	Trim	right	1	PR:559
		roof frame	side		
	991 537 482 03 V09	Alushine			
10	991 537 671 00	Clip		16	
11	N 907 878 02	cup rivet		12	
		AK3,2X6,5			
12	3D5 853 707 B	Retaining clip		6	
14	999 507 304 41	Water deflector strip		X	
		Clip			

Model: 991-16

Model life 2017>>



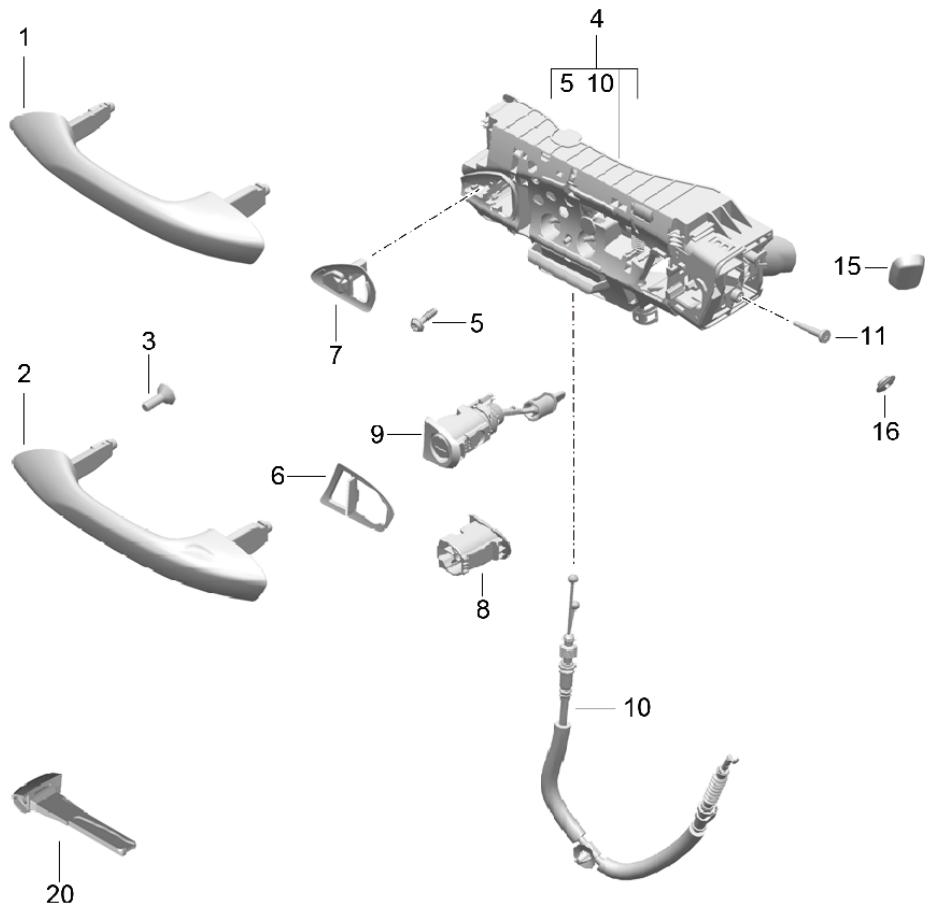
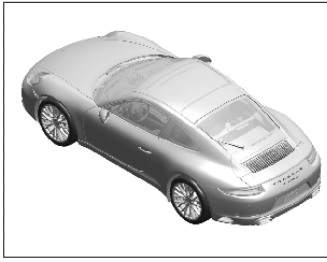
Model: 991-16

Model life 2017>>

Pos	Part Number	Description	Remark	Qty	Model
		Door seal and Trim			Cabrio/Targa
1	991 537 085 04	Seal	left	1	
(1)	991 537 085 01	Door channel Seal	outer left	1	
	991 537 085 01 03C	Door channel	outer		
(1)	991 537 086 04	Rally black Seal	right	1	
(1)	991 537 086 01	Door channel Seal	outer right	1	
	991 537 086 01 03C	Door channel	outer		
2	991 537 377 00	Rally black Seal	left	1	
(2)	991 537 378 00	Door channel Seal	inner right	1	
		Door channel	inner		
3	991 537 551 03	Cover	left	1	
	991 537 551 03 1E0	Black	outer		
(3)	991 537 552 03	Cover	right	1	
	991 537 552 03 1E0	Black	outer		
4	991 537 075 05	Door seal	left	1	
(4)	991 537 075 06	Door seal	inner left	1	
(4)	991 537 076 05	Door seal	inner right	1	
(4)	991 537 076 06	Door seal	inner right	1	
5	991 537 431 04	Window guide	left	1	
(5)	991 537 432 04	Window guide	right	1	
6	999 073 333 09	fillister hd. bolt M6X16-SC		6	
7	999 919 718 01	fillister hd. bolt 4,0X18		2	
9	991 537 481 04	Trim	left	1	
(9)	991 537 482 04	roof frame Trim	side right	1	
		roof frame	side		
10	999 190 445 37	Pop rivet		8	
11	991 537 077 02	Seal		1	
(11)	991 537 077 04	Windscreen frame part Seal		1	
		Windscreen frame part			
12	999 073 498 01	fillister hd. bolt M5x20		4	
13	999 703 543 40	End cap 25,0X35,0		1	

Model: 991-16

Model life 2017>>



Model: 991-16 Model life 2017>>

Pos	Part Number	Description	Remark	Qty	Model
1	9P1 837 165 Y	Door handle Door handle	left basic	1	PR:-625
(1)	9P1 837 166 Y	primed Door handle	right	1	PR:-625
2	9P1 837 165 AY	primed Door handle	left	1	PR:625
(2)	9P1 837 166 AY	'Keyless Entry (KESSY)' primed Door handle	right	1	PR:625
3	900 144 183 01	'Keyless Entry (KESSY)' primed panel screw		1	
4	9P1 837 885 B	ST2.9X5.4 Mounting bar	left lhd	1	PR:098
(4)	9P1 837 886 B	Mounting bar	left right lhd	1	PR:098
(4)	9P1 837 885 C	Mounting bar	right left rhd	1	PR:099
(4)	9P1 837 886 C	Mounting bar	left right rhd	1	PR:099
5	999 919 311 01	fillister hd. bolt	right	3	
6	9P1 837 209	5.0X18.0 Underlay	left	1	
(6)	9P1 837 210	Lock cylinders Underlay	right	1	
7	9P1 837 161	Lock cylinders Bracket	left	1	
(7)	9P1 837 162	Mounting bar Bracket	right	1	
8	9P1 837 469	Mounting bar Bracket	left rhd	1	PR:099
(8)	9P1 837 470	Mounting bar Bracket	right lhd	1	PR:098
9	9P1 800 375 B	Mounting bar Set of locks	lhd	1	PR:098
		with stipulated lock number comprising:			
		Lock cylinders		1	
		emergency key		1	
		Key fob		1	
		Vehicle Ident. No. and			
(9)	9P1 800 375 C	State lock number Set of locks	rhd	1	PR:099
		with stipulated lock number comprising:			
		Lock cylinders		1	
		emergency key		1	
		Key fob		1	
		Vehicle Ident. No. and			
10	9P1 837 017	State lock number Bowden cable		1	
11	WHT 002 684	Mounting bar Locating bolt		1	
15	9P1 837 111	M 4GFX5X29 Cover		1	
		Door frame			
16	9P1 837 111 1E0	Black			
	9P1 837 111 A	Cover		1	
		Emergency operation			

Model: 991-16

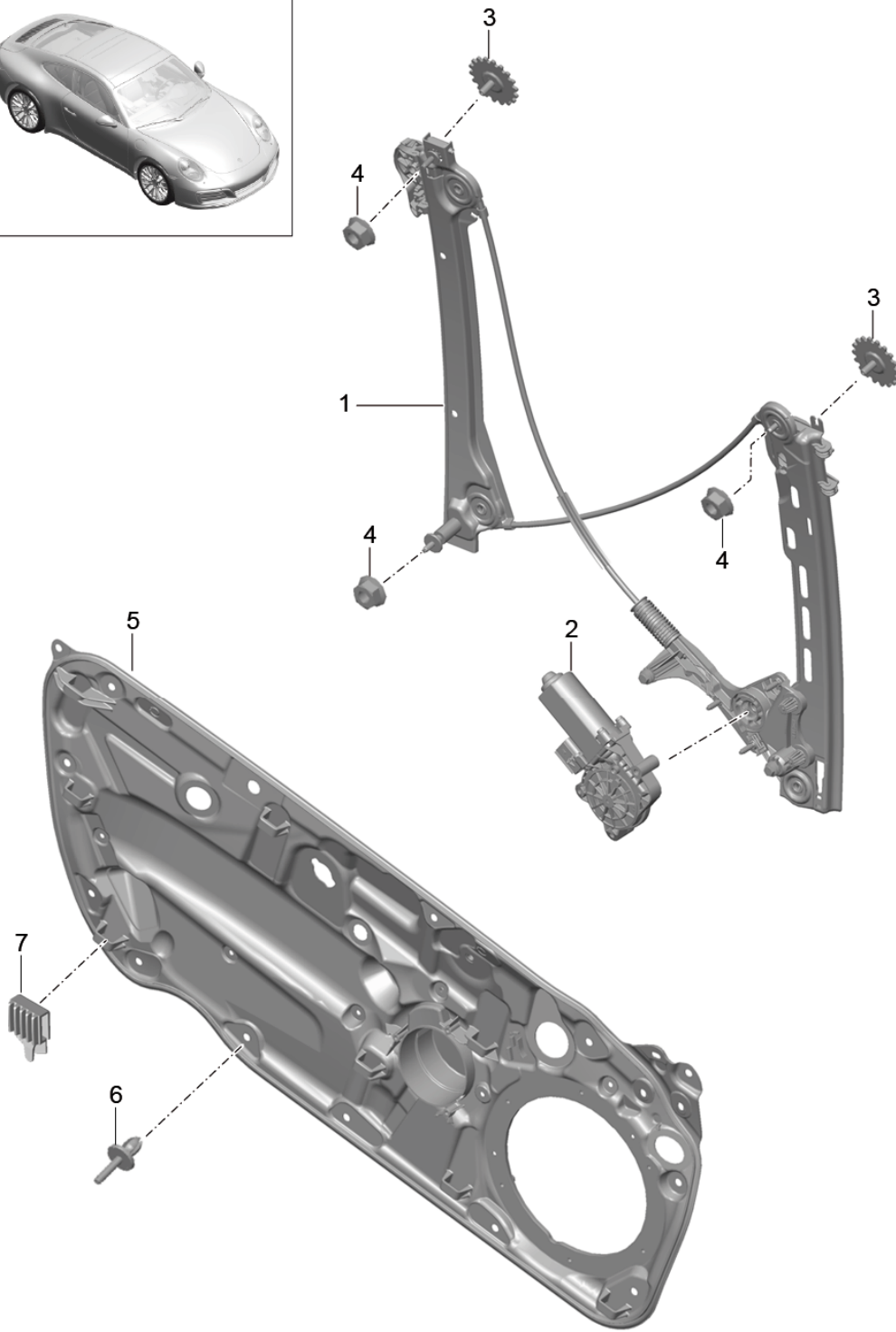
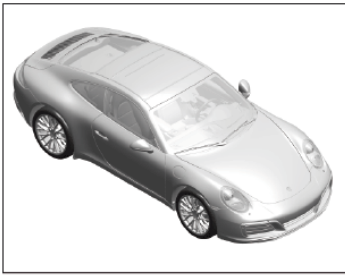
Model life 2017&gt;&gt;

Pos	Part Number	Description	Remark	Qty	Model
20	9P1 837 111 A 1E0 958 538 916 00	Black emergency key with stipulated lock number State lock number		X	



Model: 991-16

Model life 2017>>



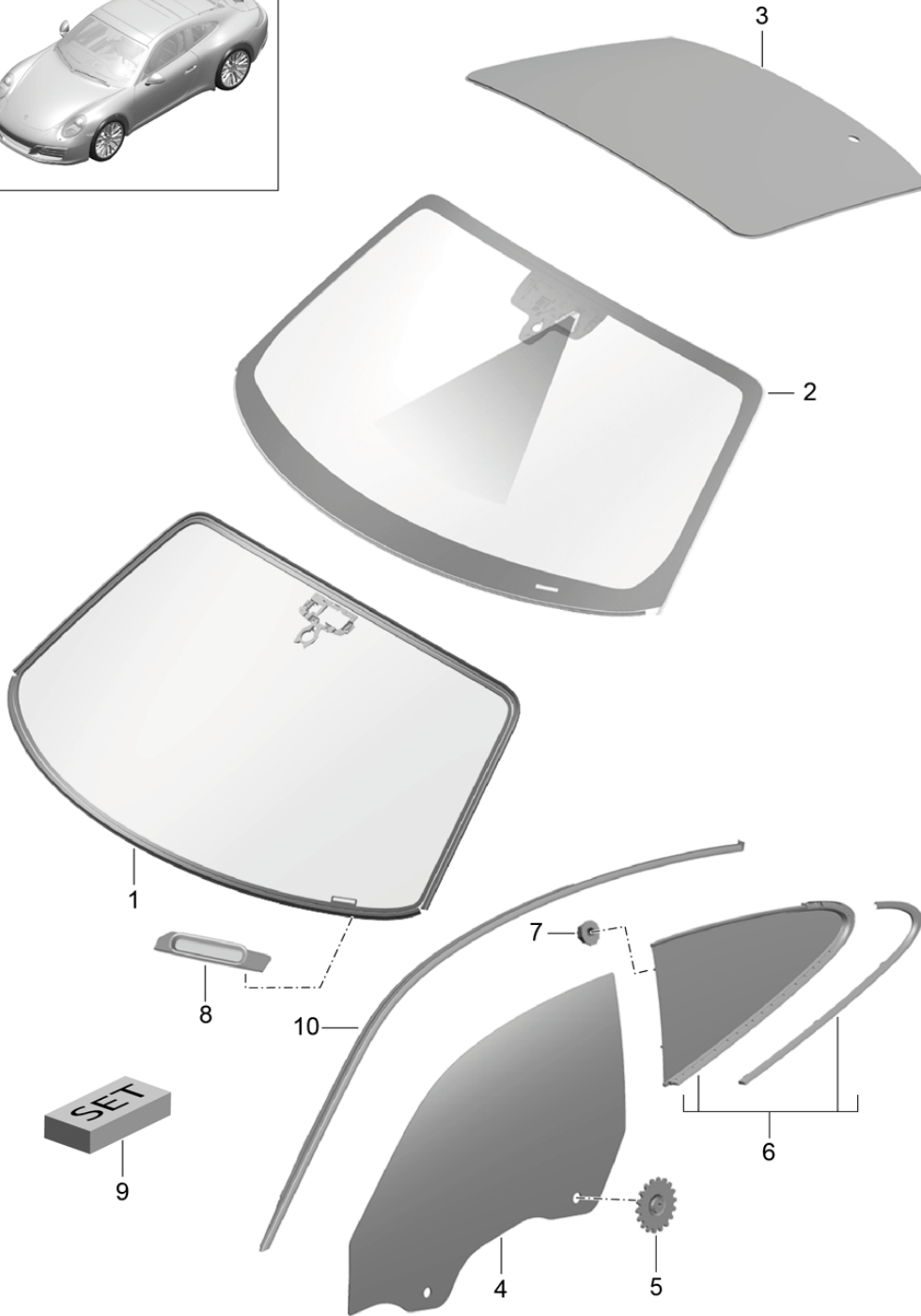
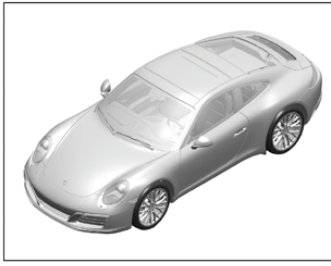
Model: 991-16

Model life 2017&gt;&gt;

Pos	Part Number	Description	Remark	Qty	Model
1	991 542 975 01	Window regulator Window regulator without motor	left	1	
(1)	991 542 976 01	Electric motor Window regulator without motor	right	1	
2	991 624 101 02	Electric motor Window regulator	left	1	
(2)	991 624 102 02	Electric motor Window regulator	right	1	
3	991 542 551 04	Mount Window regulator		2	
4	900 377 018 09	Hexagon nut M 6		3	
5	991 537 221 01	Assembly frame	left	1	
(5)	991 537 222 01	Assembly frame	right	1	
6	999 591 525 40	Spreader rivet 7,0X14,2		13	
7	991 537 557 00	Rubber ply		8	

Model: 991-16

Model life 2017>>



Model: 991-16

Model life 2017>>

Pos	Part Number	Description	Remark	Qty	Model
1	9P1 845 011	window glazing Windscreen		1	COUPE
		without: Camera			PR:568,QU8,
		also use:	000 043 305 35	1	QV0,-ER5,
(1)	9P1 845 011 A	Windscreen		1	-632,-631,
		without: Camera			-852
		also use:	000 043 305 35	1	COUPE
(1)	9P1 845 011 B	Windscreen		1	PR:567,QU8,
		without: Camera			QV0,-ER5,
		also use:	000 043 305 35	1	-632,-631,
(1)	9P1 845 011 C	Windscreen		1	-852
		without: Camera			COUPE
		also use:	000 043 305 35	1	PR:567,QU1,
(1)	9P1 845 011 D	Windscreen		1	QV1,QV3,
		without: Camera			-ER5,-631,
		also use:	000 043 305 35	1	-632,-852
(1)	9P1 845 011 E	Windscreen		1	COUPE
		without: Camera			PR:568,QU1,
		also use:	000 043 305 35	1	QV1,QV3,ER5,
(1)	9P1 845 011 F	Windscreen		1	-631,-632,
		without: Camera			-852
		also use:	000 043 305 35	1	COUPE
(1)	9P1 845 011 G	Windscreen		1	PR:567,QU1,
		without: Camera			QV1,QV3,ER5,
		also use:	000 043 305 35	1	-631,-632,
(1)	9P1 845 011 H	Windscreen		1	-852
		without: Camera			CABRIO/TARGA
		also use:	000 043 305 35	1	PR:568,QU8,
(1)	9P1 845 011 I	Windscreen		1	QV0,-ER5,
		without: Camera			-632,-631,
		also use:	000 043 305 35	1	-852
(1)	9P1 845 011 J	Windscreen		1	CABRIO/TARGA
		without: Camera			PR:567,QU8,
		also use:	000 043 305 35	1	QV0,-ER5,
(1)	9P1 845 011 K	Windscreen		1	-632,-631,
		without: Camera			-852
		also use:	000 043 305 35	1	CABRIO/TARGA
(1)	9P1 845 011 L	Windscreen		1	PR:567,QU8,
		without: Camera			QV0,-ER5,
		also use:	000 043 305 35	1	-632,-631,
(1)	9P1 845 011 M	Windscreen		1	-852
		without: Camera			CABRIO/TARGA
		also use:	000 043 305 35	1	PR:568,QU1,
(1)	9P1 845 011 N	Windscreen		1	QV1,QV3,ER5,
		without: Camera			-631,-632,
		also use:	000 043 305 35	1	-852
2	9P1 845 011 E	Windscreen		1	CABRIO/TARGA
		with: Camera			PR:567,QU8,
		also use:	000 043 305 35	1	QV0,-ER5,
2	9P1 845 011 E	Windscreen		1	852,632,631
		with: Camera			COUPE
		also use:	000 043 305 35	1	PR:567,QU8,
2	9P1 845 011 E	Windscreen		1	QV0,-ER5,
		with: Camera			852,632,-631
		also use:	000 043 305 35	1	COUPE
		with: Camera			PR:567,QU8,
		also use:	000 043 305 35	1	QV0,-ER5,
					-852,-632,

Model: 991-16

Model life 2017>>

Pos	Part Number	Description	Remark	Qty	Model
(2)	9P1 845 011 F	Windscreen with: Camera		1	631 COUPE
		also use:	000 043 305 35	1	PR:567,QU1, QV1,QV3, -ER5,632, 631,852
(2)	9P1 845 011 F	Windscreen with: Camera		1	COUPE
		also use:	000 043 305 35	1	PR:567,QU1, QV1,QV3, -ER5,-632, 631,-852
(2)	9P1 845 011 F	Windscreen with: Camera		1	COUPE
		also use:	000 043 305 35	1	PR:567,QU1, QV1,QV3, -ER5,632, -631,852
(2)	9P1 845 011 G	Windscreen with: Camera		1	COUPE
		also use:	000 043 305 35	1	PR:568,QU1, QV1,QV3,ER5, 632,631,852
(2)	9P1 845 011 G	Windscreen with: Camera		1	COUPE
		also use:	000 043 305 35	1	PR:568,QU1, QV1,QV3,ER5, -632,631, -852
(2)	9P1 845 011 G	Windscreen with: Camera		1	COUPE
		also use:	000 043 305 35	1	PR:568,QU1, QV1,QV3,ER5, 632,-631,852
(2)	9P1 845 011 H	Windscreen with: Camera		1	COUPE
		also use:	000 043 305 35	1	PR:567,QU1, QV1,QV3,ER5, 632,631,852
(2)	9P1 845 011 H	Windscreen with: Camera		1	COUPE
		also use:	000 043 305 35	1	PR:567,QU1, QV1,QV3,ER5, -632,631, -852
(2)	9P1 845 011 H	Windscreen with: Camera		1	COUPE
		also use:	000 043 305 35	1	PR:567,QU1, QV1,QV3,ER5, 632,-631,852
(2)	9P1 845 011 P	Windscreen with: Camera		1	CABRIO/TARGA
		also use:	000 043 305 35	1	PR:567,QU8, QV0,-ER5, 632,631,852
(2)	9P1 845 011 P	Windscreen with: Camera		1	CABRIO/TARGA
		also use:	000 043 305 35	1	PR:567,QU8, QV0,-ER5, -632,631, -852
(2)	9P1 845 011 P	Windscreen with: Camera		1	CABRIO/TARGA
		also use:	000 043 305 35	1	PR:567,QU8, QV0,-ER5, 632,-631,852
(2)	9P1 845 011 Q	Windscreen with: Camera		1	CABRIO/TARGA
		also use:	000 043 305 35	1	PR:567,QU1, QV1,QV3, -ER5,632, 631,852
(2)	9P1 845 011 Q	Windscreen with: Camera		1	CABRIO/TARGA
		also use:	000 043 305 35	1	PR:567,QU1, QV1,QV3,

Model: 991-16 Model life 2017>>

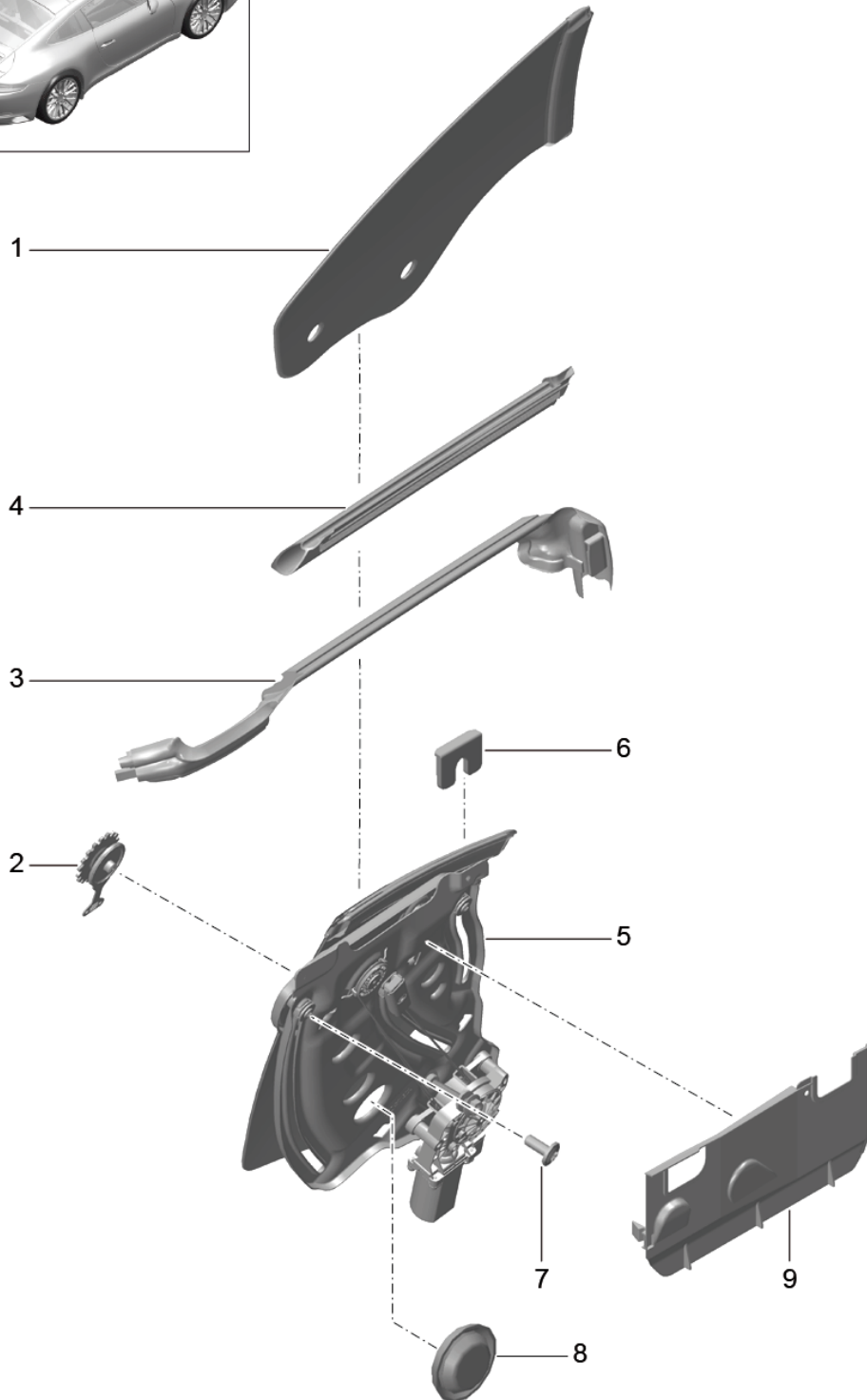
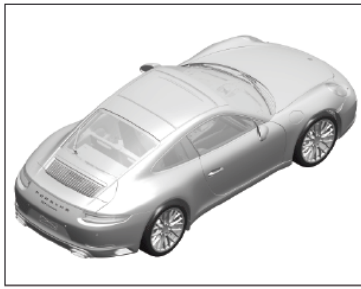
Pos	Part Number	Description	Remark	Qty	Model	
			also use:	000 043 305 35	1	-ER5,-632, 631,-852
(2)	9P1 845 011 Q	Windscreen		1		CABRIO/TARGA
			with:			PR:567,QU1, QV1,QV3,
		Camera		1		-ER5,632, -631,852
(2)	9P1 845 011 R	Windscreen		1		CABRIO/TARGA
			with:			PR:568,QU1, QV1,QV3,ER5,
		Camera		1		632,631,852
(2)	9P1 845 011 R	Windscreen		1		CABRIO/TARGA
			with:			PR:568,QU1, QV1,QV3,ER5,
		Camera		1		-632,631, -852
(2)	9P1 845 011 R	Windscreen		1		CABRIO/TARGA
			with:			PR:568,QU1, QV1,QV3,ER5,
		Camera		1		632,-631,852
(2)	9P1 845 011 S	Windscreen		1		CABRIO/TARGA
			with:			PR:567,QU1, QV1,QV3,ER5,
		Camera		1		632,631,852
(2)	9P1 845 011 S	Windscreen		1		CABRIO/TARGA
			with:			PR:567,QU1, QV1,QV3,ER5,
		Camera		1		-632,631, -852
(2)	9P1 845 011 S	Windscreen		1		CABRIO/TARGA
			with:			PR:567,QU1, QV1,QV3,ER5,
		Camera		1		632,-631,852
3	991 545 911 00	Rear window		1		COUPE
			also use:	000 043 305 35	1	PR:426,-XPL, -XPR
3	991 545 911 05	Rear window		1		COUPE
			also use:	000 043 305 35	1	PR:426,-XPL, -XPR
(3)	991 545 911 01	Rear window		1		COUPE
			also use:	000 043 305 35	1	PR:425,-XPL, -XPR
(3)	991 545 911 03	Rear window		1		COUPE
			also use:	000 043 305 35	1	PR:426,XPL, XPR
(3)	991 545 911 04	Rear window		1		COUPE
			also use:	000 043 305 35	1	PR:425,XPL, XPR
(3)	991 545 111 82	Rear window		1		COUPE
			also use:	000 043 305 35	1	PR:037
4		Side window doors				
4	991 542 511 03	Door window	left	1		COUPE
(4)	991 542 512 03	Door window	right	1		COUPE
(4)	991 542 511 01	Door window	left	1		CABRIO
(4)	991 542 512 01	Door window	right	1		CABRIO
(4)	991 542 511 02	Door window	left	1		TARGA
(4)	991 542 512 02	Door window	right	1		TARGA
5	991 542 551 04	Mount		1		
6		Door window				
6		Side window	left			
			right			
6	991 543 111 08	Side window	left	1		COUPE

Model: 991-16 Model life 2017>>

Pos	Part Number	Description	Remark	Qty	Model
					PR:-XPL,-559
(6)	991 543 111 08 03C 991 543 112 08	Rally black Side window	right	1	COUPE PR:-XPL,-559
(6)	991 543 112 08 03C 991 543 111 09	Rally black Side window	left	1	COUPE PR:559,-XPL
(6)	991 543 111 09 V09 991 543 112 09	Alushine Side window	right	1	COUPE PR:559,-XPL
(6)	991 543 112 09 V09 991 543 111 10	Alushine Side window	left	1	COUPE PR:XPL,-559
(6)	991 543 111 10 03C 991 543 112 10	Rally black Side window	right	1	COUPE PR:XPL,-559
(6)	991 543 112 10 03C 991 543 111 11	Rally black Side window	left	1	COUPE PR:XPL,559
(6)	991 543 111 11 V09 991 543 112 11	Alushine Side window	right	1	COUPE PR:XPL,559
(6)	991 543 112 11 V09 991 543 111 80	Alushine Side window	left	1	COUPE PR:037
(6)	991 543 111 80 03C 991 543 112 80	Matt black Side window	right	1	COUPE PR:037
7	991 543 112 80 03C N 015 082 10	Matt black Hexagon collar nut M6 Mount Side window		2	COUPE
8	991 552 571 00	Bracket		1	
9	000 043 305 35	Chassis number 2K pane adhesive set		1	
10		Trim see illustration:	804-010		

Model: 991-16

Model life 2017>>





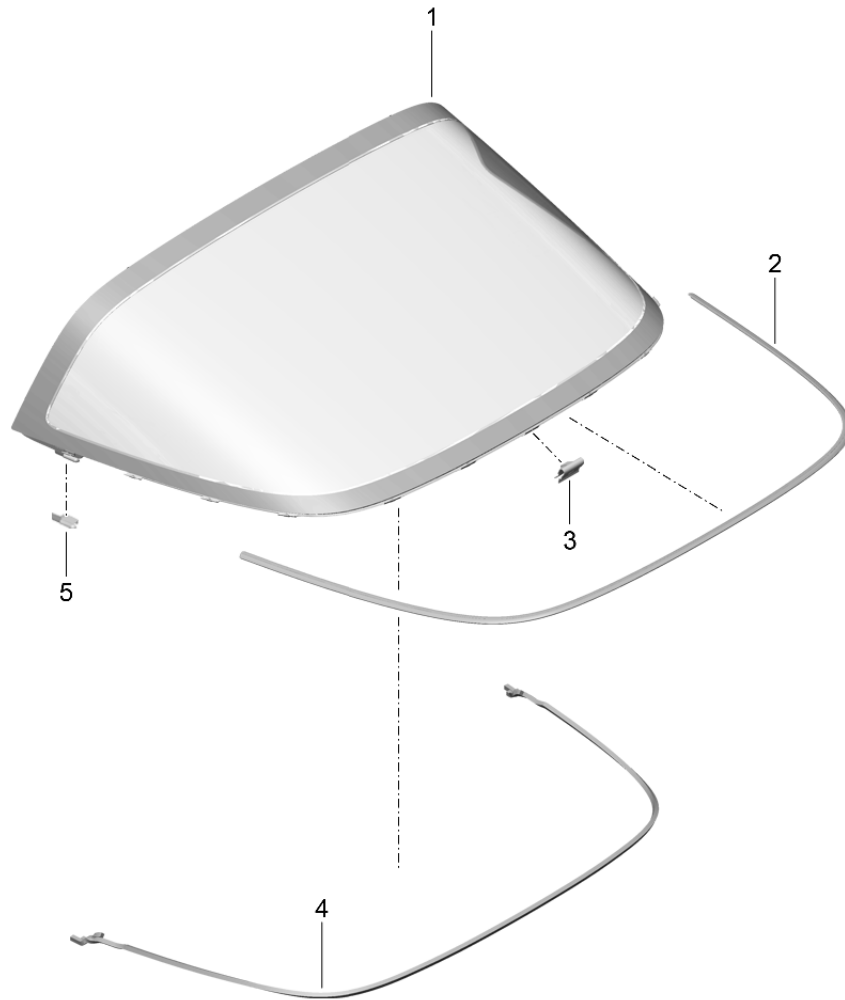
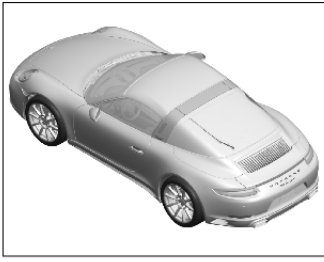
Model: 991-16

Model life 2017>>

Pos	Part Number	Description	Remark	Qty	Model
		Side window			Cabrio
1	991 543 111 07	Side window	left	1	
(1)	991 543 112 07	Side window	right	1	
2	991 543 531 02	Mount		2	
		Side window			
3	991 543 475 02	Seal	left	1	
			outer		
(3)	991 543 476 02	Seal	right	1	
			outer		
4	991 543 477 01	Seal	left	1	
			inner		
(4)	991 543 478 01	Seal	right	1	
			inner		
5	991 543 915 00	Window regulator	left	1	
		Side window			
		Connector			
		6-pole			
(5)	991 543 015 01	Window regulator	left	1	
		Side window			
		Connector			
		2-pole			
(5)	991 543 916 00	Window regulator	right	1	
		Side window			
		Connector			
		6-pole			
(5)	991 543 016 01	Window regulator	right	1	
		Side window			
		Connector			
		2-pole			
6	991 543 561 00	Distance piece		2	
		Grey			
(6)	991 543 561 01	Distance piece		2	
		white			
(6)	991 543 561 02	Distance piece		2	
		yellow			
(6)	991 543 561 03	Distance piece		2	
		green			
(6)	991 543 561 04	Distance piece		2	
		blue			
(6)	991 543 561 05	Distance piece		2	
		Black			
7	999 073 103 02	flat round head bolt		2	
		M 6 X 16			
8	N 105 151 01	Bungs		1	
		33,0 X 24,5			
9	991 543 479 01	Cover	left	1	
		Window regulator			
(9)	991 543 480 01	Cover	right	1	
		Window regulator			

Model: 991-16

Model life 2017>>



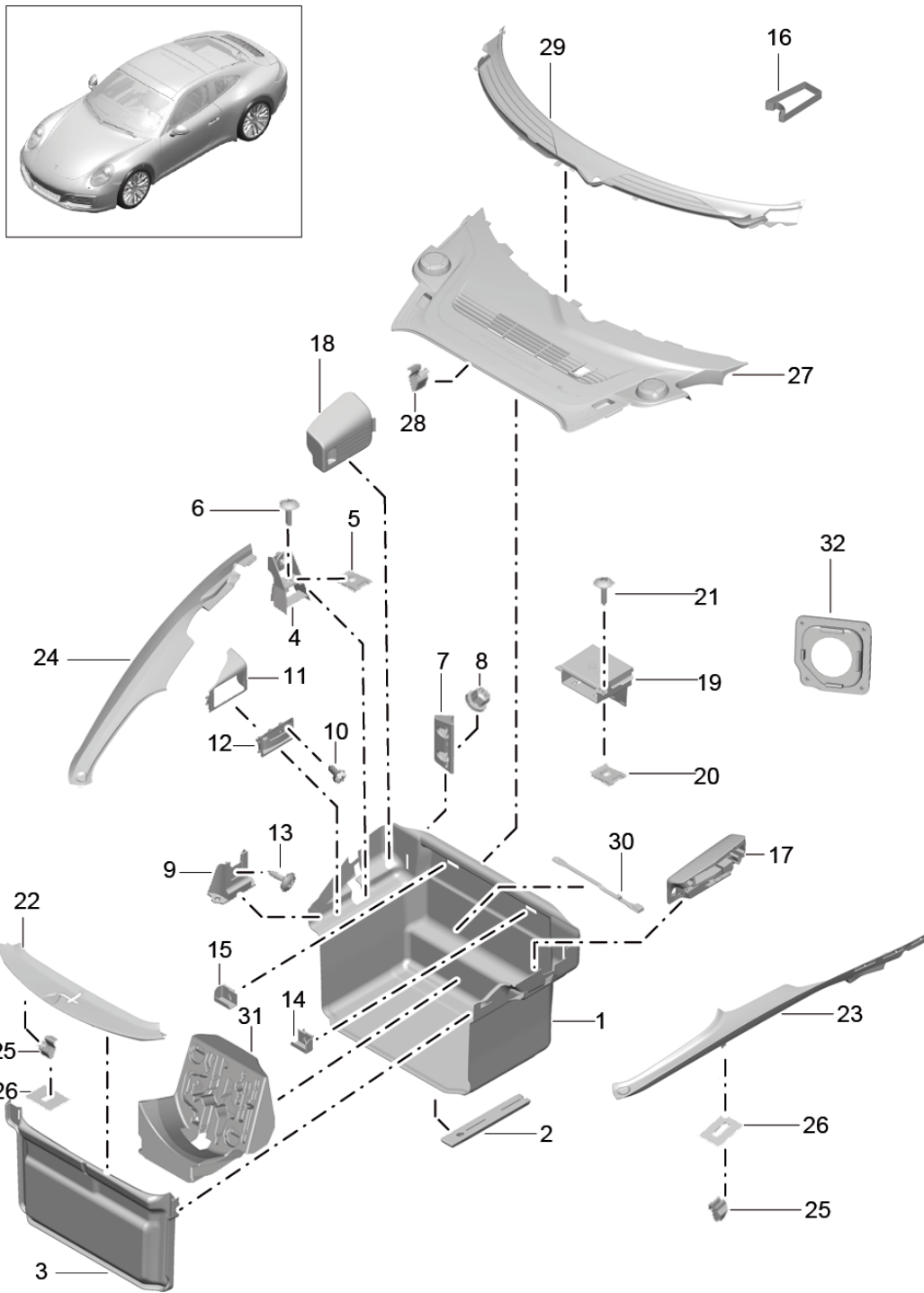
Model: 991-16

Model life 2017>>

Pos	Part Number	Description	Remark	Qty	Model
1	991 545 211 12	Rear window Rear window		1	Targa PR:426,QU1, QV0,QV1,QV3
(1)	991 545 211 13	Seal Rear window		1	PR:425,QU1, QV0,QV1,QV3
(1)	991 545 211 14	Seal Rear window		1	PR:426,QU8
(1)	991 545 211 15	Seal Rear window		1	PR:425,QU8
2	991 545 611 03	Trim strip for rear window		1	
3	9A7 007 832 00	clip for molding		1	
4	991 545 633 00	sealing tape 10X10X2600		1	
5	991 545 631 00	Adapter Seal for sealing tape	left	1	
(5)	991 545 632 00	Adapter Seal for sealing tape	right	1	

Model: 991-16

Model life 2017>>



Model: 991-16

Model life 2017>>

Pos	Part Number	Description	Remark	Qty	Model
1	991 551 045 00	Luggage compartment Trim		1	CARRERA 2 PR:-193,-553
(1)	991 551 045 00 A31	Luggage compartment liner Carpet Black		1	PR:-011
	991 551 045 19	Luggage compartment trim Luggage compartment liner Carpet		1	PR:193
	991 551 045 19 A31	Black			PR:-011
2	991 551 420 01	Foam part		5	
3	991 551 051 00	Luggage compartment liner	front	1	
	991 551 051 00 A31	Carpet Black			PR:-011
4	991 551 825 00	Bracket Cover	front	2	
		with:			
5	999 591 348 01	Rubber grommet panel nut ST 4,8		2	
6	999 073 418 01	panel screw 4,8 X 19		2	
7	991 551 823 00	Bracket Cover	rear	2	PR:-011
8	999 049 033 40	Plastic nut T6 22 X 10,5		4	PR:-011
14	991 551 801 00	retaining strap for warning triangle	left	1	PR:-553,-193
	991 551 801 00 1E0	Black			PR:-011
15	991 551 802 00	retaining strap for warning triangle	right	1	PR:-553,-193
	991 551 802 00 1E0	Black			PR:-011
16	997 551 741 00	retaining strap for first aid kit		1	PR:1T3
17	991 551 421 02	Cover Tool Long	left	1	
	991 551 421 02 1E0	Black			PR:-011
18	991 551 422 00	Cover Compressed air bottle	right	1	PR:-553
	991 551 422 00 1E0	Black			PR:-011
19	991 555 575 04	Bracket for compressor		1	
	991 555 575 04 1E0	Black			
20	999 591 348 01	panel nut ST 4,8		2	
21	999 073 418 01	panel screw 4,8 X 19		2	
22	991 555 411 02	Trim lock carrier		1	
	991 555 411 02 1E0	Black			
23	991 555 465 03	Cover Wing strut	left	1	
	991 555 465 03 1E0	Black			
24	991 555 466 03	Cover Wing strut	right	1	
	991 555 466 03 1E0	Black			
25	999 507 047 01	Clip Trim		4	
26	999 209 084 40	Distance piece 20 X 25 X 05		4	
27	991 555 367 06	Cover Technology	lhd	1	PR:098
	991 555 367 06 1E0	Black			

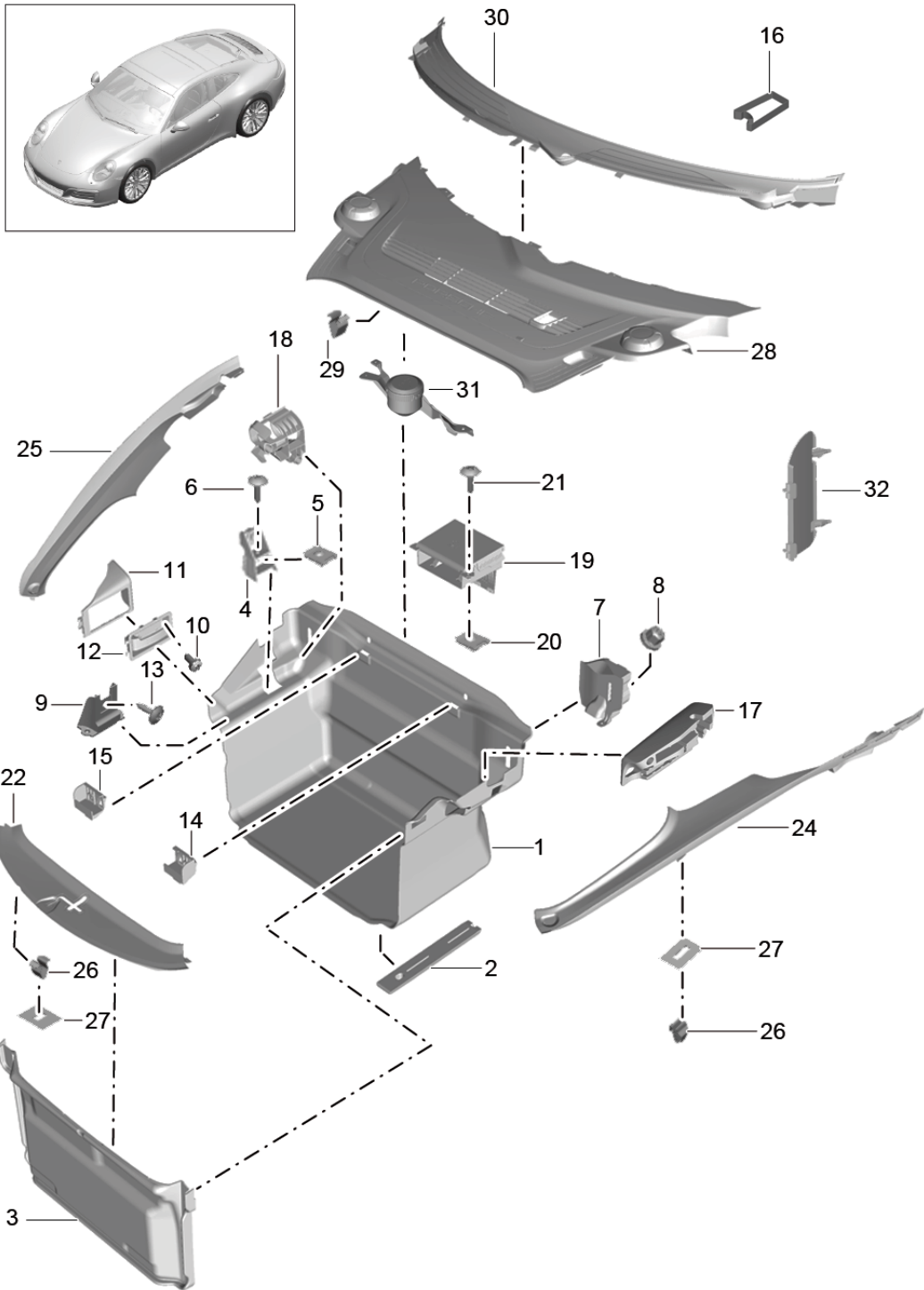
Model: 991-16

Model life 2017>>

Pos	Part Number	Description	Remark	Qty	Model
(27)	991 555 367 07	Cover Technology	rhd	1	PR:099
28	991 555 367 07 1E0 999 507 839 01	Black Clip		2	
29	991 555 563 06	Cover Scuttle	lhd	1	PR:098
(29)	991 555 563 06 1E0 991 555 563 07	Black Cover Scuttle	rhd	1	PR:099
30	991 555 563 07 1E0 991 555 539 00	Black Holding strap Cover Technology		1	
31	991 722 071 00	Foam part Tool for Spare wheel		1	PR:447
32	991 610 115 00	Cover Cable guide Firewall		1	

Model: 991-16

Model life 2017>>



Model: 991-16

Model life 2017>>

Pos	Part Number	Description	Remark	Qty	Model
		Luggage compartment			CARRERA 4 Targa PR:-193,-553
(1)	991 551 045 15	Trim		1	
		Luggage compartment liner			
		Carpet			
	991 551 045 15 A31	Black			
(1)	991 551 045 17	Trim		1	PR:193
		Luggage compartment liner			
		Carpet			
	991 551 045 17 A31	Black			
2	991 551 420 01	Foam part		5	
		Luggage compartment liner			
3	991 551 051 01	Luggage compartment trim	front	1	
		Carpet			
	991 551 051 01 A31	Black			
4	991 551 825 00	Bracket	front	2	
		Cover			
5	999 591 348 01	panel nut		2	
		ST4,8			
6	999 073 418 01	panel screw		2	
		4,8 X 19			
7	991 551 823 01	Bracket	left	1	
		Cover	rear		
(7)	991 551 824 01	Bracket	right	1	
		Cover	rear		
8	999 049 033 40	Plastic nut		4	
		T6 22 X 10,5			
14	991 551 801 01	retaining strap for warning triangle	left	1	PR:-193,-553
	991 551 801 01 1E0	Black			
15	991 551 802 01	retaining strap for warning triangle	right	1	PR:-193,-553
	991 551 802 01 1E0	Black			
16	997 551 741 00	retaining strap for first aid kit		1	
17	991 551 421 04	Cover	left	1	
		Tool			
	991 551 421 04 1E0	Black			
18	991 551 422 08	Cover	right	1	PR:-553
		Compressed air bottle			
	991 551 422 08 1E0	Black			
19	991 555 575 02	Bracket for compressor		1	
	991 555 575 02 1E0	Black			
20	999 591 348 01	panel nut		2	
		ST 4,8			
21	999 073 418 01	panel screw		2	
		4,8 X 19			
22	991 555 411 00	Trim		1	
		lock carrier			
	991 555 411 00 1E0	Black			
24	991 555 465 03	Cover	left	1	
		Wing strut			
	991 555 465 03 1E0	Black			
25	991 555 466 03	Cover	right	1	
		Wing strut			
	991 555 466 03 1E0	Black			
26	999 507 047 01	Clip		5	
		Trim			
27	999 209 084 40	Distance piece		5	
		20 X 25 X 05			
28	991 555 367 06	Cover	lhd	1	PR:098
		Technology			
	991 555 367 06 1E0	Black			



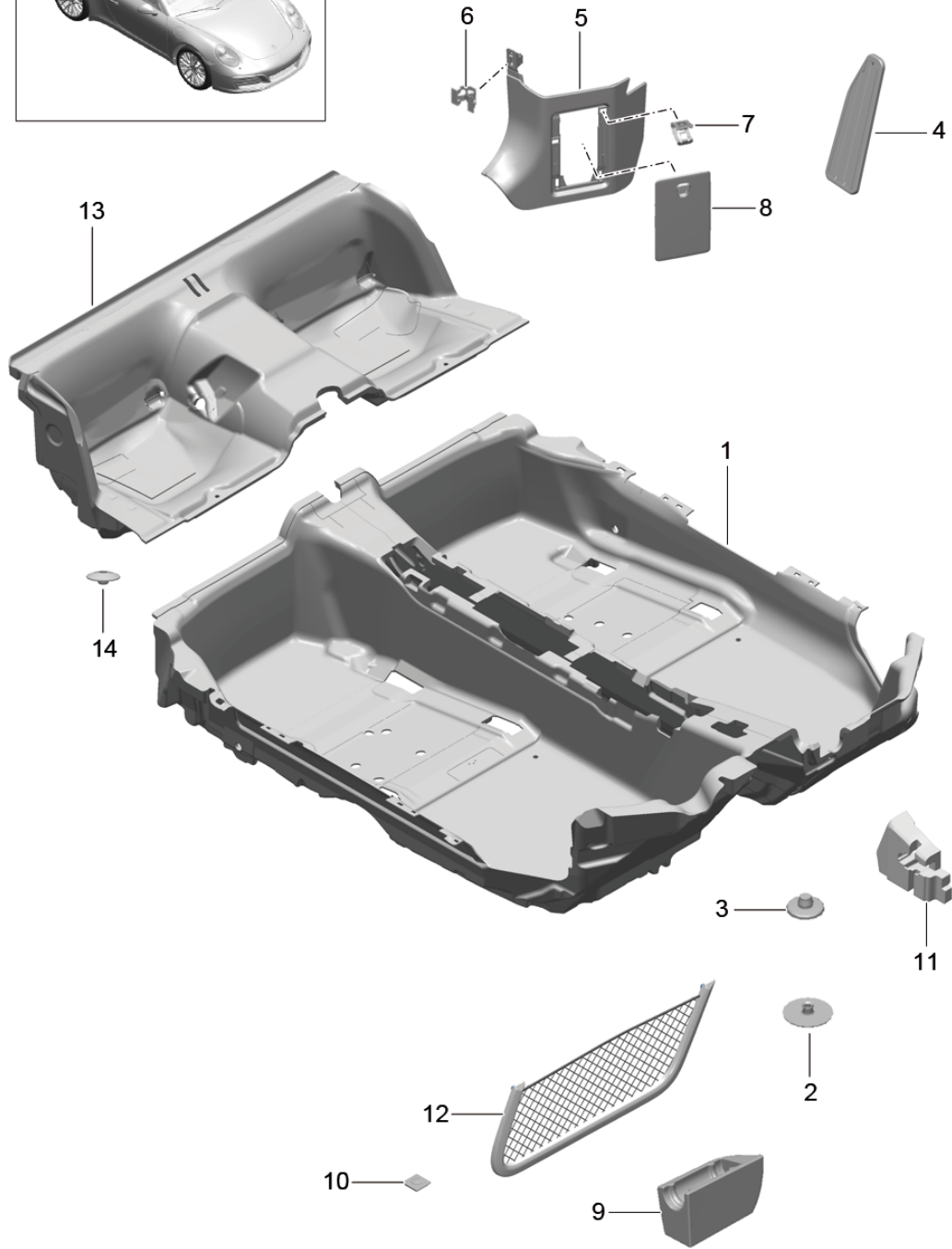
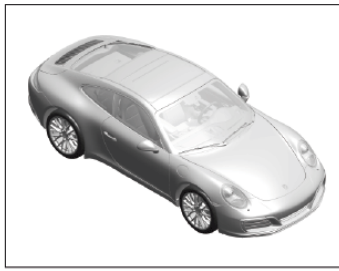
Model: 991-16

Model life 2017>>

Pos	Part Number	Description	Remark	Qty	Model
(28)	991 555 367 07	Cover Technology	rhd	1	PR:099
	991 555 367 07 1E0	Black			
29	999 507 839 01	Clip		2	
		Cover			
30	991 555 563 06	Cover Scuttle	lhd	1	PR:098
	991 555 563 06 1E0	Black			
(30)	991 555 563 07	Cover Scuttle	rhd	1	PR:099
	991 555 563 07 1E0	Black			
32	991 610 263 00	Cover		1	

Model: 991-16

Model life 2017>>



Model: 991-16 Model life 2017>>

Pos	Part Number	Description	Remark	Qty	Model
1	991 551 011 06	Flooring Linings Flooring (carpet)	lhd	1	COUPE PR:098,-388, -389,-581
	991 551 011 06 GDE	Black	-GF,GG,GR,GW, GY,AG,AJ,AQ, AZ,BT,BM,TD		GQ
	991 551 011 06 GFE	Luxor beige	-UG,UJ,UQ,UZ		
	991 551 011 06 GHE	agate grey	-FG,FJ,FQ,FZ		
	991 551 011 06 GKE	Espresso	-NE,BY		
	991 551 011 06 GTE	Graphite Blue	-HZ,BG,TG		
	991 551 011 06 GIE	saddle brown	-SZ		
	991 551 011 06 GUE	Bordeaux red	-LZ		
(1)	991 551 011 14	Flooring (carpet)	lhd	1	COUPE PR:098,-388, -389,581
	991 551 011 14 GDE	Black	-GF,GG,GR,GW, GY,AG,AJ,AQ, AZ,BT,BM,TD		GQ
	991 551 011 14 GFE	Luxor beige	-UG,UJ,UQ,UZ		
	991 551 011 14 GHE	agate grey	-FG,FJ,FQ,FZ		
	991 551 011 14 GKE	Espresso	-NE,BY		
	991 551 011 14 GTE	Graphite Blue	-HZ,BG,TG		
	991 551 011 14 GIE	saddle brown	-SZ		
	991 551 011 14 GUE	Bordeaux red	-LZ		
(1)	991 551 011 18	Flooring (carpet)	lhd	1	COUPE PR:098,388, 389,581
	991 551 011 18 GDE	Black	-GF,GG,GR,GW, GY,AG,AJ,AQ, AZ,BT,BM,TD		GQ
	991 551 011 18 GFE	Luxor beige	-UG,UJ,UQ,UZ		
	991 551 011 18 GHE	agate grey	-FG,FJ,FQ,FZ		
	991 551 011 18 GKE	Espresso	-NE,BY		
	991 551 011 18 GTE	Graphite Blue	-HZ,BG,TG		
	991 551 011 18 GIE	saddle brown	-SZ		
	991 551 011 18 GUE	Bordeaux red	-LZ		
(1)	991 551 011 22	Flooring (carpet)	lhd	1	COUPE PR:098,388, 389,-581
	991 551 011 22 GDE	Black	-GF,GG,GR,GW, GY,AG,AJ,AQ, AZ,BT,BM,TD		GQ
	991 551 011 22 GFE	Luxor beige	-UG,UJ,UQ,UZ		
	991 551 011 22 GHE	agate grey	-FG,FJ,FQ,FZ		
	991 551 011 22 GKE	Espresso	-NE,BY		
	991 551 011 22 GTE	Graphite Blue	-HZ,BG,TG		
	991 551 011 22 GIE	saddle brown	-SZ		
	991 551 011 22 GUE	Bordeaux red	-LZ		
(1)	991 551 011 07	Flooring (carpet)	rhd	1	COUPE PR:099,-388, -389,-581
	991 551 011 07 GDE	Black	-GF,GG,GR,GW, GY,AG,AJ,AQ, AZ,BT,BM,TD		GQ
	991 551 011 07 GFE	Luxor beige	-UG,UJ,UQ,UZ		
	991 551 011 07 GHE	agate grey	-FG,FJ,FQ,FZ		
	991 551 011 07 GKE	Espresso	-NE,BY		
	991 551 011 07 GTE	Graphite Blue	-HZ,BG,TG		
	991 551 011 07 GIE	saddle brown	-SZ		
	991 551 011 07 GUE	Bordeaux red	-LZ		
(1)	991 551 011 15	Flooring (carpet)	rhd	1	COUPE

Model: 991-16 Model life 2017>>

Pos	Part Number	Description	Remark	Qty	Model
	991 551 011 15 GDE	Black	-GF,GG,GR,GW, GY,AG,AJ,AQ, AZ,BT,BM,TD		PR:099,-388, -389,581 GQ
	991 551 011 15 GFE	Luxor beige	-UG,UJ,UQ,UZ		
	991 551 011 15 GHE	agate grey	-FG,FJ,FQ,FZ		
	991 551 011 15 GKE	Espresso	-NE,BY		
	991 551 011 15 GTE	Graphite Blue	-HZ,BG,TG		
	991 551 011 15 GIE	saddle brown	-SZ		
	991 551 011 15 GUE	Bordeaux red	-LZ		
(1)	991 551 011 19	Flooring (carpet)	rhd	1	COUPE PR:099,388, 389,581 GQ
	991 551 011 19 GDE	Black	-GF,GG,GR,GW, GY,AG,AJ,AQ, AZ,BT,BM,TD		
	991 551 011 19 GFE	Luxor beige	-UG,UJ,UQ,UZ		
	991 551 011 19 GHE	agate grey	-FG,FJ,FQ,FZ		
	991 551 011 19 GKE	Espresso	-NE,BY		
	991 551 011 19 GTE	Graphite Blue	-HZ,BG,TG		
	991 551 011 19 GIE	saddle brown	-SZ		
	991 551 011 19 GUE	Bordeaux red	-LZ		
(1)	991 551 011 23	Flooring (carpet)	rhd	1	COUPE PR:099,388, 389,-581 GQ
	991 551 011 23 GDE	Black	-GF,GG,GR,GW, GY,AG,AJ,AQ, AZ,BT,BM,TD		
	991 551 011 23 GFE	Luxor beige	-UG,UJ,UQ,UZ		
	991 551 011 23 GHE	agate grey	-FG,FJ,FQ,FZ		
	991 551 011 23 GKE	Espresso	-NE,BY		
	991 551 011 23 GTE	Graphite Blue	-HZ,BG,TG		
	991 551 011 23 GIE	saddle brown	-SZ		
	991 551 011 23 GUE	Bordeaux red	-LZ		
(1)	991 551 011 08	Flooring (carpet)	lhd	1	CABRIO PR:098,-388, -389 GQ
	991 551 011 08 GDE	Black	-GF,GG,GR,GW, GY,AG,AJ,AQ, AZ,BT,BM,TD		
	991 551 011 08 GFE	Luxor beige	-UG,UJ,UQ,UZ		
	991 551 011 08 GHE	agate grey	-FG,FJ,FQ,FZ		
	991 551 011 08 GKE	Espresso	-NE,BY		
	991 551 011 08 GTE	Graphite Blue	-HZ,BG,TG		
	991 551 011 08 GIE	saddle brown	-SZ		
	991 551 011 08 GUE	Bordeaux red	-LZ		
(1)	991 551 011 16	Flooring (carpet)	lhd	1	CABRIO PR:098,-388, -389,581 GQ
	991 551 011 16 GDE	Black	-GF,GG,GR,GW, GY,AG,AJ,AQ, AZ,BT,BM,TD		
	991 551 011 16 GFE	Luxor beige	-UG,UJ,UQ,UZ		
	991 551 011 16 GHE	agate grey	-FG,FJ,FQ,FZ		
	991 551 011 16 GKE	Espresso	-NE,BY		
	991 551 011 16 GTE	Graphite Blue	-HZ,BG,TG		
	991 551 011 16 GIE	saddle brown	-SZ		
	991 551 011 16 GUE	Bordeaux red	-LZ		
(1)	991 551 011 20	Flooring (carpet)	lhd	1	CABRIO PR:098,388, 389,581 GQ
	991 551 011 20 GDE	Black	-GF,GG,GR,GW,		

Model: 991-16 Model life 2017>>

Pos	Part Number	Description	Remark	Qty	Model
	991 551 011 20 GFE	Luxor beige	GY, AG, AJ, AQ, AZ, BT, BM, TD		
	991 551 011 20 GHE	agate grey	-UG, UJ, UQ, UZ		
	991 551 011 20 GKE	Espresso	-FG, FJ, FQ, FZ		
	991 551 011 20 GTE	Graphite Blue	-NE, BY		
	991 551 011 20 GIE	saddle brown	-HZ, BG, TG		
	991 551 011 20 GUE	Bordeaux red	-SZ		
(1)	991 551 011 24	Flooring (carpet)	-LZ	1	CABRIO PR:098,388, 389,-581 GQ
	991 551 011 24 GDE	Black	-GF, GG, GR, GW, GY, AG, AJ, AQ, AZ, BT, BM, TD		
	991 551 011 24 GFE	Luxor beige	-UG, UJ, UQ, UZ		
	991 551 011 24 GHE	agate grey	-FG, FJ, FQ, FZ		
	991 551 011 24 GKE	Espresso	-NE, BY		
	991 551 011 24 GTE	Graphite Blue	-HZ, BG, TG		
	991 551 011 24 GIE	saddle brown	-SZ		
	991 551 011 24 GUE	Bordeaux red	-LZ		
(1)	991 551 011 09	Flooring (carpet)		1	CABRIO PR:099,-388, -389,-581 GQ
	991 551 011 09 GDE	Black	-GF, GG, GR, GW, GY, AG, AJ, AQ, AZ, BT, BM, TD		
	991 551 011 09 GFE	Luxor beige	-UG, UJ, UQ, UZ		
	991 551 011 09 GHE	agate grey	-FG, FJ, FQ, FZ		
	991 551 011 09 GKE	Espresso	-NE, BY		
	991 551 011 09 GTE	Graphite Blue	-HZ, BG, TG		
	991 551 011 09 GIE	saddle brown	-SZ		
	991 551 011 09 GUE	Bordeaux red	-LZ		
(1)	991 551 011 17	Flooring (carpet)		1	CABRIO PR:099,-388, -389,581 GQ
	991 551 011 17 GDE	Black	-GF, GG, GR, GW, GY, AG, AJ, AQ, AZ, BT, BM, TD		
	991 551 011 17 GFE	Luxor beige	-UG, UJ, UQ, UZ		
	991 551 011 17 GHE	agate grey	-FG, FJ, FQ, FZ		
	991 551 011 17 GKE	Espresso	-NE, BY		
	991 551 011 17 GTE	Graphite Blue	-HZ, BG, TG		
	991 551 011 17 GIE	saddle brown	-SZ		
	991 551 011 17 GUE	Bordeaux red	-LZ		
(1)	991 551 011 21	Flooring (carpet)		1	CABRIO PR:099,388, 389,581 GQ
	991 551 011 21 GDE	Black	-GF, GG, GR, GW, GY, AG, AJ, AQ, AZ, BT, BM, TD		
	991 551 011 21 GFE	Luxor beige	-UG, UJ, UQ, UZ		
	991 551 011 21 GHE	agate grey	-FG, FJ, FQ, FZ		
	991 551 011 21 GKE	Espresso	-NE, BY		
	991 551 011 21 GTE	Graphite Blue	-HZ, BG, TG		
	991 551 011 21 GIE	saddle brown	-SZ		
	991 551 011 21 GUE	Bordeaux red	-LZ		
(1)	991 551 011 25	Flooring (carpet)		1	CABRIO PR:099,388, 389,-581 GQ
	991 551 011 25 GDE	Black	-GF, GG, GR, GW, GY, AG, AJ, AQ, AZ, BT, BM, TD		
	991 551 011 25 GFE	Luxor beige	-UG, UJ, UQ, UZ		

Model: 991-16 Model life 2017>>

Pos	Part Number	Description	Remark	Qty	Model
	991 551 011 25 GHE	agate grey	-FG, FJ, FQ, FZ		
	991 551 011 25 GKE	Espresso	-NE, BY		
	991 551 011 25 GTE	Graphite Blue	-HZ, BG, TG		
	991 551 011 25 GIE	saddle brown	-SZ		
	991 551 011 25 GUE	Bordeaux red	-LZ		
2	955 551 227 02	Bracket		4	
		Flooring			
3	955 551 229 02	Cover cap		4	
		Flooring			
	955 551 229 02 1E0	Black	-GF, GG, GR, GW, GY, AG, AJ, AQ, AZ, BT, BM, TD		GQ
	955 551 229 02 4H0	Luxor beige	-UG, UJ, UQ, UZ		
	955 551 229 02 OP1	agate grey	-FG, FJ, FQ, FZ		
	955 551 229 02 7N0	Espresso	-NE, BY		
	955 551 229 02 OH7	Graphite Blue	-HZ, BG, TG		
	955 551 229 02 OM8	saddle brown	-SZ		
	955 551 229 02 OG6	saddle brown	-LZ		
4	991 551 611 01	Cover for footrest	lhd	1	PR:098, -XXZ
	991 551 611 01 1E0	Black			
(4)	991 551 612 01	Cover for footrest	rhd	1	PR:099
	991 551 612 01 1E0	Black			
5	991 555 101 01	Trim	left	1	
		Fuse box			
	991 555 101 01 A75	Black	-GF, GG, GR, GW, GY, AG, AJ, AQ, AZ, BT, BM, TD		GQ
	991 555 101 01 T75	Luxor beige	-UG, UJ, UQ, UZ		
	991 555 101 01 C75	agate grey	-FG, FJ, FQ, FZ		
	991 555 101 01 R75	Espresso	-NE, BY		
	991 555 101 01 OH7	Black/graphite blue	-HZ, BG, TG		
	991 555 101 01 CH6	saddle brown	-SZ		
	991 555 101 01 OG6	Bordeaux red	-LZ		
(5)	991 555 102 02	Trim	right	1	
		Fuse box			
	991 555 102 02 A75	Black	-GF, GG, GR, GW, GY, AG, AJ, AQ, AZ, BT, BM, TD		GQ
	991 555 102 02 T75	Luxor beige	-UG, UJ, UQ, UZ		
	991 555 102 02 C75	agate grey	-FG, FJ, FQ, FZ		
	991 555 102 02 R75	Espresso	-NE, BY		
	991 555 102 02 OH7	Graphite Blue	-HZ, BG, TG		
	991 555 102 02 CH6	saddle brown	-SZ		
	991 555 102 02 OG6	Bordeaux red	-LZ		
6	999 507 533 02	Clamp		2	
		8,0 X 10,0			
7	999 507 552 01	Spring clip		4	
		9,0 X 13,0			
8	991 555 421 03	Cover	left	1	
		Trim			
		Fuse box			
	991 555 421 03 1E0	Black	-GF, GG, GR, GW, GY, AG, AJ, AQ, AZ		GQ
	991 555 421 03 6L0	Platinum Grey	-CG, CJ, CQ, BR		
	991 555 421 03 4H0	Luxor beige	-UG, UJ, UQ, UZ, BL		
	991 555 421 03 2F0	yachting blue	-EG, EJ, EQ, EZ		
	991 555 421 03 OP1	agate grey	-DK		
	991 555 421 03 OV4	flint grey	-BV		
	991 555 421 03 OW5	Carrera Red	-BA, NG		
	991 555 421 03 7N0	Espresso	-NE		
	991 555 421 03 8P0	Cognac	-BH		

Model: 991-16 Model life 2017>>

Pos	Part Number	Description	Remark	Qty	Model
(8)	991 555 622 02	Cover trim	right	1	
	991 555 622 02 1E0	Fuse box Black	-GF,GG,GR,GW, GY,AG,AJ,AQ, AZ		GQ
	991 555 622 02 6L0	Platinum Grey	-CG,CJ,CQ,BR		
	991 555 622 02 4H0	Luxor beige	-UG,UJ,UQ,UZ, BL		
	991 555 622 02 2F0	Black/yachting blue	-EG,EJ,EQ,EZ		
	991 555 622 02 OP1	Black/agate grey	-DK		
	991 555 622 02 OV4	Black/pebble grey	-BV		
	991 555 622 02 OW5	Carrera Red	-BA,NG		
	991 555 622 02 7N0	Black/espresso	-NE		
	991 555 622 02 8P0	Black/cognac	-BH		
(8)	991 555 621 04	Cover trim		1	
		Fuse box (complete) No longer use the part here			
	991 555 621 04 1E0	Black	-GF,GG,GR,GW, GY,AG,AJ,AQ, AZ,BT,BM,TD		GQ
	991 555 621 04 4H0	Luxor beige	-UG,UJ,UQ,UZ		
	991 555 621 04 OP1	agate grey	-FG,FJ,FQ,FZ		
	991 555 621 04 7N0	Espresso	-NE,BY		
	991 555 621 04 OH7	Graphite Blue	-HZ,BG,TG		
	991 555 621 04 OM8	saddle brown	-SZ		
	991 555 621 04 OG6	Bordeaux red	-LZ		
9	991 555 718 00	Bracket		1	PR:193
		Warning light			
10	999 902 059 40	Holding strap		2	
		Fuse box			
		A-pillar			
11	991 551 465 00	Support		1	
		Luggage compartment lamp			
12	981 551 547 00	Luggage net		1	PR:098,581
		tunnel			
	981 551 547 00 1E0	Black	-GF,GG,GR,GW, GY,AG,AJ,AQ, AZ,BT,BM,TD		GQ
	981 551 547 00 4H0	Luxor beige	-UG,UJ,UQ,UZ		
	981 551 547 00 OP1	agate grey	-FG,FJ,FQ,FZ		
	981 551 547 00 7N0	Espresso	-NE,BY		
	981 551 547 00 OH7	Graphite Blue	-HZ,BG,TG		
	981 551 547 00 OM8	saddle brown	-SZ		
	981 551 547 00 OG6	Bordeaux red	-LZ		
(12)	981 551 548 00	Luggage net		1	PR:099,581
		tunnel			
	981 551 548 00 1E0	Black	-GF,GG,GR,GW, GY,AG,AJ,AQ, AZ,BT,BM,TD		GQ
	981 551 548 00 4H0	Luxor beige	-UG,UJ,UQ,UZ		
	981 551 548 00 OP1	agate grey	-FG,FJ,FQ,FZ		
	981 551 548 00 7N0	Espresso	-NE,BY		
	981 551 548 00 OH7	Graphite Blue	-HZ,BG,TG		
	981 551 548 00 OM8	saddle brown	-SZ		
	981 551 548 00 OG6	Bordeaux red	-LZ		
13	991 551 017 03	Carpet		1	
		Seat well			
	991 551 017 03 A75	Black	-GF,GG,GR,GW, GY,AG,AJ,AQ, AZ,BT,BM,TD		GQ
	991 551 017 03 T75	Luxor beige	-UG,UJ,UQ,UZ		
	991 551 017 03 C75	agate grey	-FG,FJ,FQ,FZ		

Model: 991-16

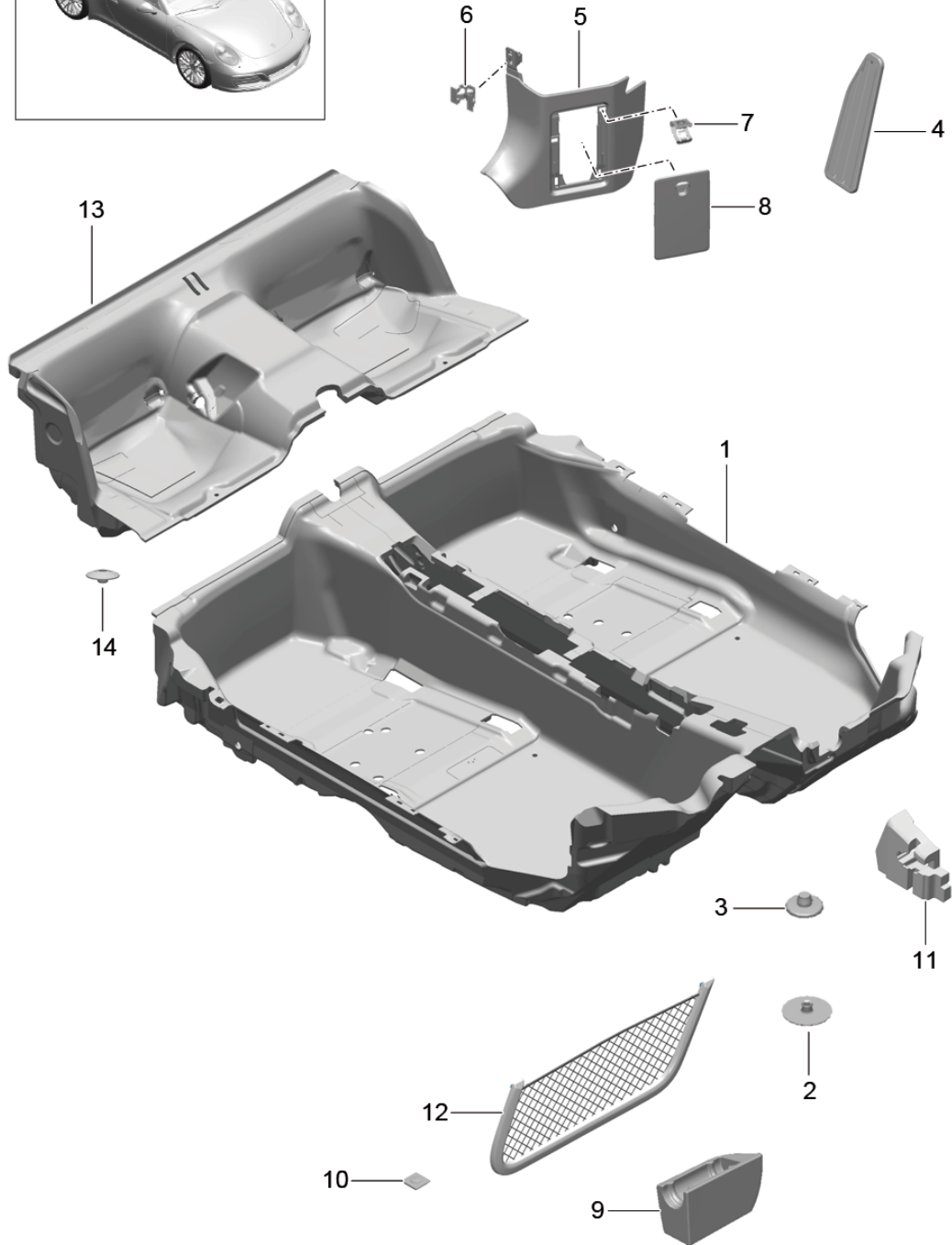
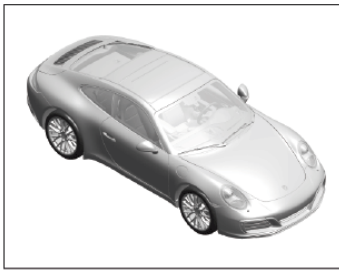
Model life 2017>>

Pos	Part Number	Description	Remark	Qty	Model
14	991 551 017 03 R75	Espresso	-NE, BY	2	PR: 685
	991 551 017 03 OH7	Graphite Blue	-HZ, BG, TG		
	991 551 017 03 CH6	saddle brown	-SZ		
	991 551 017 03 OG6	Bordeaux red	-LZ		
	999 049 020 40	Plastic nut T5 30 X 5,1			



Model: 991-16

Model life 2017>>



Model: 991-16 Model life 2017>>

Pos	Part Number	Description	Remark	Qty	Model
1	991 551 011 08	Flooring Linings Flooring (carpet)	lhd	1	Targa PR:098,-388, -398,-581
	991 551 011 08 GDE	Black	-GF,GG,GR,GW, GY,AG,AJ,AQ, AZ,BT,BM,TD		GQ
	991 551 011 08 GFE	Luxor beige	-UG,UJ,UQ,UZ		
	991 551 011 08 GHE	agate grey	-FG,FJ,FQ,FZ		
	991 551 011 08 GKE	Espresso	-NE,BY		
	991 551 011 08 GTE	Graphite Blue	-HZ,BG,TG		
	991 551 011 08 GIE	saddle brown	-SZ		
	991 551 011 08 GUE	Bordeaux red	-LZ		
(1)	991 551 011 09	Flooring (carpet)	rhd	1	PR:099,-388, -389,-581
	991 551 011 09 GDE	Black	-GF,GG,GR,GW, GY,AG,AJ,AQ, AZ,BT,BM,TD		GQ
	991 551 011 09 GFE	Luxor beige	-UG,UJ,UQ,UZ		
	991 551 011 09 GHE	agate grey	-FG,FJ,FQ,FZ		
	991 551 011 09 GKE	Espresso	-NE,BY		
	991 551 011 09 GTE	Graphite Blue	-HZ,BG,TG		
	991 551 011 09 GIE	saddle brown	-SZ		
	991 551 011 09 GUE	Bordeaux red	-LZ		
(1)	991 551 011 16	Flooring (carpet)	lhd	1	PR:098,581, -388,-389
	991 551 011 16 GDE	Black	-GF,GG,GR,GW, GY,AG,AJ,AQ, AZ,BT,BM,TD		GQ
	991 551 011 16 GFE	Luxor beige	-UG,UJ,UQ,UZ		
	991 551 011 16 GHE	agate grey	-FG,FJ,FQ,FZ		
	991 551 011 16 GKE	Espresso	-NE,BY		
	991 551 011 16 GTE	Graphite Blue	-HZ,BG,TG		
	991 551 011 16 GIE	saddle brown	-SZ		
	991 551 011 16 GUE	Bordeaux red	-LZ		
(1)	991 551 011 17	Flooring (carpet)	rhd	1	PR:099,581, -388,-389
	991 551 011 17 GDE	Black	-GF,GG,GR,GW, GY,AG,AJ,AQ, AZ,BT,BM,TD		GQ
	991 551 011 17 GFE	Luxor beige	-UG,UJ,UQ,UZ		
	991 551 011 17 GHE	agate grey	-FG,FJ,FQ,FZ		
	991 551 011 17 GKE	Espresso	-NE,BY		
	991 551 011 17 GTE	Graphite Blue	-HZ,BG,TG		
	991 551 011 17 GIE	saddle brown	-SZ		
	991 551 011 17 GUE	Bordeaux red	-LZ		
(1)	991 551 011 20	Flooring (carpet)	lhd	1	PR:098,388, 389,581
	991 551 011 20 GDE	Black	-GF,GG,GR,GW, GY,AG,AJ,AQ, AZ,BT,BM,TD		GQ
	991 551 011 20 GFE	Luxor beige	-UG,UJ,UQ,UZ		
	991 551 011 20 GHE	agate grey	-FG,FJ,FQ,FZ		
	991 551 011 20 GKE	Espresso	-NE,BY		
	991 551 011 20 GTE	Graphite Blue	-HZ,BG,TG		
	991 551 011 20 GIE	saddle brown	-SZ		
	991 551 011 20 GUE	Bordeaux red	-LZ		
(1)	991 551 011 21	Flooring (carpet)	rhd	1	PR:099,388, 389,581
	991 551 011 21 GDE	Black	-GF,GG,GR,GW, GY,AG,AJ,AQ, AZ,BT,BM,TD		GQ
	991 551 011 21 GFE	Luxor beige	-UG,UJ,UQ,UZ		

Model: 991-16 Model life 2017>>

Pos	Part Number	Description	Remark	Qty	Model			
(1)	991 551 011 21 GHE	agate grey	-FG,FJ,FQ,FZ	1	PR:098,388, 389,-581 GQ			
	991 551 011 21 GKE	Espresso	-NE,BY					
	991 551 011 21 GTE	Graphite Blue	-HZ,BG,TG					
	991 551 011 21 GIE	saddle brown	-SZ					
	991 551 011 21 GUE	Bordeaux red	-LZ					
	991 551 011 24	Flooring (carpet)	lhd					
	991 551 011 24 GDE	Black	-GF,GG,GR,GW, GY,AG,AJ,AQ, AZ,BT,BM,TD					
	991 551 011 24 GFE	Luxor beige	-UG,UJ,UQ,UZ					
	991 551 011 24 GHE	agate grey	-FG,FJ,FQ,FZ					
	991 551 011 24 GKE	Espresso	-NE,BY					
(1)	991 551 011 24 GTE	Graphite Blue	-HZ,BG,TG	1	PR:099,388, 389,-581 GQ			
	991 551 011 24 GIE	saddle brown	-SZ					
	991 551 011 24 GUE	Bordeaux red	-LZ					
	991 551 011 25	Flooring (carpet)	rhd					
	991 551 011 25 GDE	Black	-GF,GG,GR,GW, GY,AG,AJ,AQ, AZ,BT,BM,TD					
	991 551 011 25 GFE	Luxor beige	-UG,UJ,UQ,UZ					
	991 551 011 25 GHE	agate grey	-FG,FJ,FQ,FZ					
	991 551 011 25 GKE	Espresso	-NE,BY					
	991 551 011 25 GTE	Graphite Blue	-HZ,BG,TG					
	991 551 011 25 GIE	saddle brown	-SZ					
2	991 551 011 25 GUE	Bordeaux red	-LZ	4	GQ			
	955 551 227 02	Bracket Flooring						
	3	955 551 229 02	Cover cap Flooring					
		955 551 229 02 1E0	Black			-GF,GG,GR,GW, GY,AG,AJ,AQ, AZ,BT,BM,TD		
	4	955 551 229 02 4H0	Luxor beige			-UG,UJ,UQ,UZ	1	PR:098,-XXZ
		955 551 229 02 OP1	agate grey			-FG,FJ,FQ,FZ		
		955 551 229 02 7N0	Espresso			-NE,BY		
		955 551 229 02 OH7	Graphite Blue			-HZ,BG,TG		
		955 551 229 02 OM8	saddle brown			-SZ		
		955 551 229 02 OG6	saddle brown			-LZ		
991 551 611 01		Cover for footrest	lhd					
991 551 611 01 1E0		Black						
(4)	991 551 612 01	Cover for footrest	rhd	1	PR:099			
	991 551 612 01 1E0	Black						
5	991 555 101 01	Trim Fuse box	left	1	GQ			
	991 555 101 01 A75	Black	-GF,GG,GR,GW, GY,AG,AJ,AQ, AZ,BT,BM,TD					
	991 555 101 01 T75	Luxor beige	-UG,UJ,UQ,UZ					
	991 555 101 01 C75	agate grey	-FG,FJ,FQ,FZ					
	991 555 101 01 R75	Espresso	-NE,BY					
	991 555 101 01 OH7	Black/graphite blue	-HZ,BG,TG					
	991 555 101 01 CH6	saddle brown	-SZ					
	991 555 101 01 OG6	Bordeaux red	-LZ					
	(5)	991 555 102 02	Trim Fuse box			right	1	GQ
		991 555 102 02 A75	Black			-GF,GG,GR,GW, GY,AG,AJ,AQ, AZ,BT,BM,TD		
(5)	991 555 102 02 T75	Luxor beige	-UG,UJ,UQ,UZ	1	GQ			
	991 555 102 02 C75	agate grey	-FG,FJ,FQ,FZ					
	991 555 102 02 R75	Espresso	-NE,BY					

Model: 991-16 Model life 2017>>

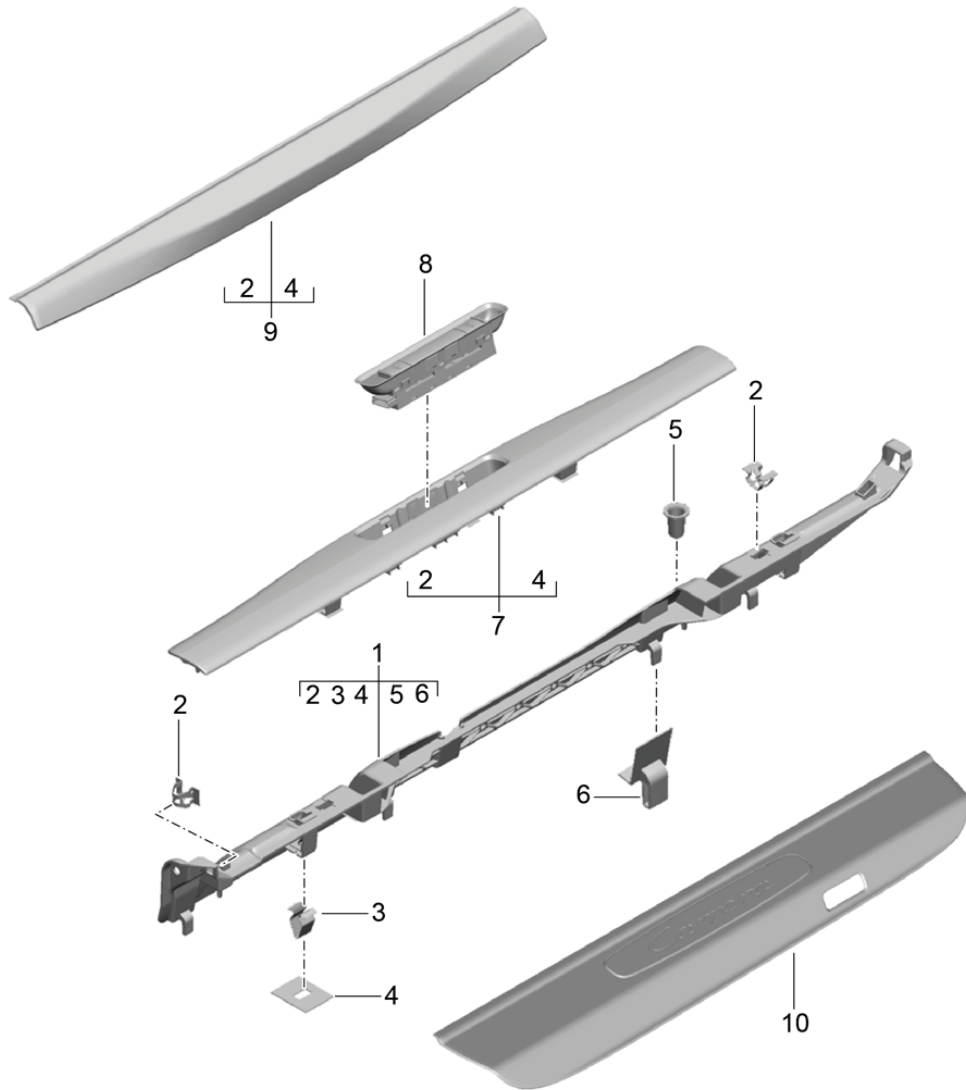
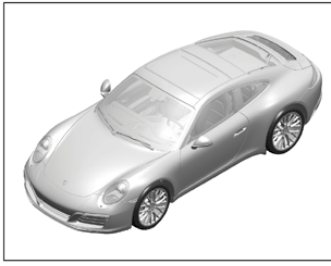
Pos	Part Number	Description	Remark	Qty	Model
	991 555 102 02 OH7	Graphite Blue	-HZ, BG, TG		
	991 555 102 02 CH6	saddle brown	-SZ		
6	991 555 102 02 OG6	Bordeaux red	-LZ	2	
	999 507 533 02	Clamp 8,0 X 10,0			
7	999 507 552 01	Spring clip 9,0 X 13,0		4	
8	991 555 421 03	Cover Trim Fuse box	left	1	
	991 555 421 03 1E0	Black	-GF, GG, GR, GW, GY, AG, AJ, AQ, AZ		
	991 555 421 03 6L0	Platinum Grey	-CG, CJ, CQ, BR		
	991 555 421 03 4H0	Luxor beige	-UG, UJ, UQ, UZ, BL		
	991 555 421 03 2F0	yachting blue	-EG, EJ, EQ, EZ		
	991 555 421 03 OP1	agate grey	-DK		
	991 555 421 03 OV4	flint grey	-BV		
	991 555 421 03 OW5	Carrera Red	-BA, NG		
(8)	991 555 421 03 7N0	Espresso	-NE	1	
	991 555 421 03 8P0	Cognac	-BH		
	991 555 622 02	Cover trim Fuse box	right	1	
	991 555 622 02 1E0	Black	-GF, GG, GR, GW, GY, AG, AJ, AQ, AZ		
	991 555 622 02 6L0	Platinum Grey	-CG, CJ, CQ, BR		
	991 555 622 02 4H0	Luxor beige	-UG, UJ, UQ, UZ, BL		
	991 555 622 02 2F0	Black/yachting blue	-EG, EJ, EQ, EZ		
	991 555 622 02 OP1	Black/agate grey	-DK		
	991 555 622 02 OV4	Black/pebble grey	-BV		
	991 555 622 02 OW5	Carrera Red	-BA, NG		
(8)	991 555 622 02 7N0	Black/espresso	-NE	1	
	991 555 622 02 8P0	Black/cognac	-BH		
	991 555 621 04	Cover trim Fuse box No longer use the part here	left	1	
	991 555 621 04 1E0	Black	-GF, GG, GR, GW, GY, AG, AJ, AQ, AZ, BT, BM, TD		
	991 555 621 04 4H0	Luxor beige	-UG, UJ, UQ, UZ		
	991 555 621 04 OP1	agate grey	-FG, FJ, FQ, FZ		
	991 555 621 04 7N0	Espresso	-NE, BY		
	991 555 621 04 OH7	Graphite Blue	-HZ, BG, TG		
9	991 555 621 04 OM8	saddle brown	-SZ	1	PR:193
	991 555 621 04 OG6	Bordeaux red	-LZ		
10	999 902 059 40	Bracket Warning light Holding strap Fuse box A-pillar		2	
11	991 551 465 00	Support Luggage compartment lamp		1	
12	981 551 547 00	Luggage net tunnel		1	PR:098,581
	981 551 547 00 1E0	Black	-GF, GG, GR, GW, GY, AG, AJ, AQ, AZ, BT, BM, TD		
	981 551 547 00 4H0	Luxor beige	-UG, UJ, UQ, UZ		
	981 551 547 00 OP1	agate grey	-FG, FJ, FQ, FZ		
	981 551 547 00 7N0	Espresso	-NE, BY		

Model: 991-16 Model life 2017>>

Pos	Part Number	Description	Remark	Qty	Model
(12)	981 551 547 00 OH7	Graphite Blue	-HZ, BG, TG	1	PR:099,581
	981 551 547 00 OM8	saddle brown	-SZ		
	981 551 547 00 OG6	Bordeaux red	-LZ		
	981 551 548 00	Luggage net tunnel			
	981 551 548 00 1E0	Black	-GF, GG, GR, GW, GY, AG, AJ, AQ, AZ, BT, BM, TD		
	981 551 548 00 4H0	Luxor beige	-UG, UJ, UQ, UZ		
	981 551 548 00 OP1	agate grey	-FG, FJ, FQ, FZ		
	981 551 548 00 7N0	Espresso	-NE, BY		
	981 551 548 00 OH7	Graphite Blue	-HZ, BG, TG		
	981 551 548 00 OM8	saddle brown	-SZ		
13	981 551 548 00 OG6	Bordeaux red	-LZ	1	GQ
	991 551 017 03	Carpet Seat well			
	991 551 017 03 A75	Black	-GF, GG, GR, GW, GY, AG, AJ, AQ, AZ, BT, BM, TD		
	991 551 017 03 T75	Luxor beige	-UG, UJ, UQ, UZ		
	991 551 017 03 C75	agate grey	-FG, FJ, FQ, FZ		
	991 551 017 03 R75	Espresso	-NE, BY		
	991 551 017 03 OH7	Graphite Blue	-HZ, BG, TG		
	991 551 017 03 CH6	saddle brown	-SZ		
	991 551 017 03 OG6	Bordeaux red	-LZ		
	14	999 049 020 40	Plastic nut T5 30 X 5,1		

Model: 991-16

Model life 2017>>



Model: 991-16 Model life 2017>>

Pos	Part Number	Description	Remark	Qty	Model
1	991 555 619 03	Trim Sill Support	left	1	
(1)	991 555 620 03	Sill Support	right	1	
2	999 507 533 02	Clamp 8,0 X 10		6	
3	999 507 839 01	Clip 3,5		X	
4	999 209 084 40	Distance piece 20 X 25 X 0,5		X	
5	997 555 857 00	Grommet Clip		4	
6	991 555 889 01	Grommet		8	
7	991 555 119 04	Trim Sill (drivers side)	left	1	PR:098,-XTG
	991 555 119 04 1E0	Black	-AG,AJ,AQ,AZ, BT,BM,TD,GF, GG,GQ,GR,GW,GY		
	991 555 119 04 OP1	agate grey	-FG,FJ,FQ,FZ		
	991 555 119 04 4H0	Luxor beige	-UG,UJ,UQ,UZ		
	991 555 119 04 OH7	Graphite Blue	-HZ,BG,TG		
	991 555 119 04 OM8	saddle brown	-SZ		
	991 555 119 04 OG6	Bordeaux red	-LZ		
	991 555 119 04 7N0	Espresso	-NE,BY		
(7)	991 555 120 00	Trim Sill (drivers side)	right	1	PR:099,-XTG
	991 555 120 00 1E0	Black	-AG,AJ,AQ,AZ, BT,BM,TD,GF, GG,GQ,GR,GW,GY		
	991 555 120 00 OP1	agate grey	-FG,FJ,FQ,FZ		
	991 555 120 00 4H0	Luxor beige	-UG,UJ,UQ,UZ		
	991 555 120 00 OH7	Graphite Blue	-HZ,BG,TG		
	991 555 120 00 OM8	saddle brown	-SZ		
	991 555 120 00 OG6	Bordeaux red	-LZ		
	991 555 120 00 7N0	Espresso	-NE,BY		
(7)	991 555 985 01	Trim Sill (drivers side) Leather	left	1	PR:098,XTG
		with:			
	991 555 985 01 A11	Switch Black	-AZ		
	991 555 985 01 OA1	agate grey	-FZ		
	991 555 985 01 OH7	Graphite Blue	-HZ		
	991 555 985 01 OK6	saddle brown	-SZ		
	991 555 985 01 7J0	Luxor beige	-UZ,BT		
	991 555 985 01 OG6	Bordeaux red	-LZ,BM		
	991 555 985 01 OL8	Chalk	-BG		
	991 555 985 01 6J0	Espresso	-NE		
	991 555 985 01 7F0	Cognac	-BY		
	991 555 985 01 HAG	Black/Rhodium Silver	-GR		
(7)	991 555 986 01	Trim Sill (drivers side) Leather	right	1	PR:099,XTG
		with:			
	991 555 986 01 A11	Switch Black	-AZ		
	991 555 986 01 OA1	agate grey	-FZ		

Model: 991-16 Model life 2017>>

Pos	Part Number	Description	Remark	Qty	Model
8	991 555 986 01 OH7	Graphite Blue	-HZ	1	
	991 555 986 01 OK6	saddle brown	-SZ		
	991 555 986 01 7J0	Luxor beige	-UZ, BT		
	991 555 986 01 OG6	Bordeaux red	-LZ, BM		
	991 555 986 01 OL8	Chalk	-BG		
	991 555 986 01 6J0	Espresso	-NE		
	991 555 986 01 7F0	Cognac	-BY		
	991 555 986 01 HAG	Black/Rhodium Silver	-GR		
(9)	991 555 121 00	Trim Sill (passenger side)	see illustration: 903-005 left	1	PR:099, -XTG
	991 555 121 00 1E0	Black	-AG, AJ, AQ, AZ, BT, BM, TD, GF, GG, GQ, GR, GW, GY	1	
	991 555 121 00 OP1	agate grey	-FG, FJ, FQ, FZ		
	991 555 121 00 4H0	Luxor beige	-UG, UJ, UQ, UZ		
	991 555 121 00 OH7	Graphite Blue	-HZ, BG, TG		
	991 555 121 00 OM8	saddle brown	-SZ		
	991 555 121 00 OG6	Bordeaux red	-LZ		
	991 555 121 00 7N0	Espresso	-NE, BY		
9	991 555 122 04	Trim Sill (passenger side)	right		
	991 555 122 04 1E0	Black	-AG, AJ, AQ, AZ, BT, BM, TD, GF, GG, GQ, GR, GW, GY		
	991 555 122 04 OP1	agate grey	-FG, FJ, FQ, FZ		
	991 555 122 04 4H0	Luxor beige	-UG, UJ, UQ, UZ		
	991 555 122 04 OH7	Graphite Blue	-HZ, BG, TG		
	991 555 122 04 OM8	saddle brown	-SZ		
	991 555 122 04 OG6	Bordeaux red	-LZ		
	991 555 122 04 7N0	Espresso	-NE, BY		
(9)	991 555 987 01	Trim Sill (passenger side)	left		
	991 555 987 01 A11	Black	-AZ	1	
	991 555 987 01 OA1	agate grey	-FZ		
	991 555 987 01 OH7	Graphite Blue	-HZ		
	991 555 987 01 OK6	saddle brown	-SZ		
	991 555 987 01 7J0	Luxor beige	-UZ, BT		
	991 555 987 01 OG6	Bordeaux red	-LZ, BM		
	991 555 987 01 OL8	Chalk	-BG		
	991 555 987 01 6J0	Espresso	-NE		
	991 555 987 01 7F0	Cognac	-BY		
	991 555 987 01 HAG	Black/Rhodium Silver	-GR		
(9)	991 555 988 01	Trim Sill (passenger side)	right		
	991 555 988 01 A11	Black	-AZ		
	991 555 988 01 OA1	agate grey	-FZ		
	991 555 988 01 OH7	Graphite Blue	-HZ		
	991 555 988 01 OK6	saddle brown	-SZ		
	991 555 988 01 7J0	Luxor beige	-UZ, BT		
	991 555 988 01 OG6	Bordeaux red	-LZ, BM		
	991 555 988 01 OL8	Chalk	-BG		
	991 555 988 01 6J0	Espresso	-NE		
	991 555 988 01 7F0	Cognac	-BY		
	991 555 988 01 HAG	Black/Rhodium Silver	-GR		
10	991 555 988 01	Sill trim strip		1	



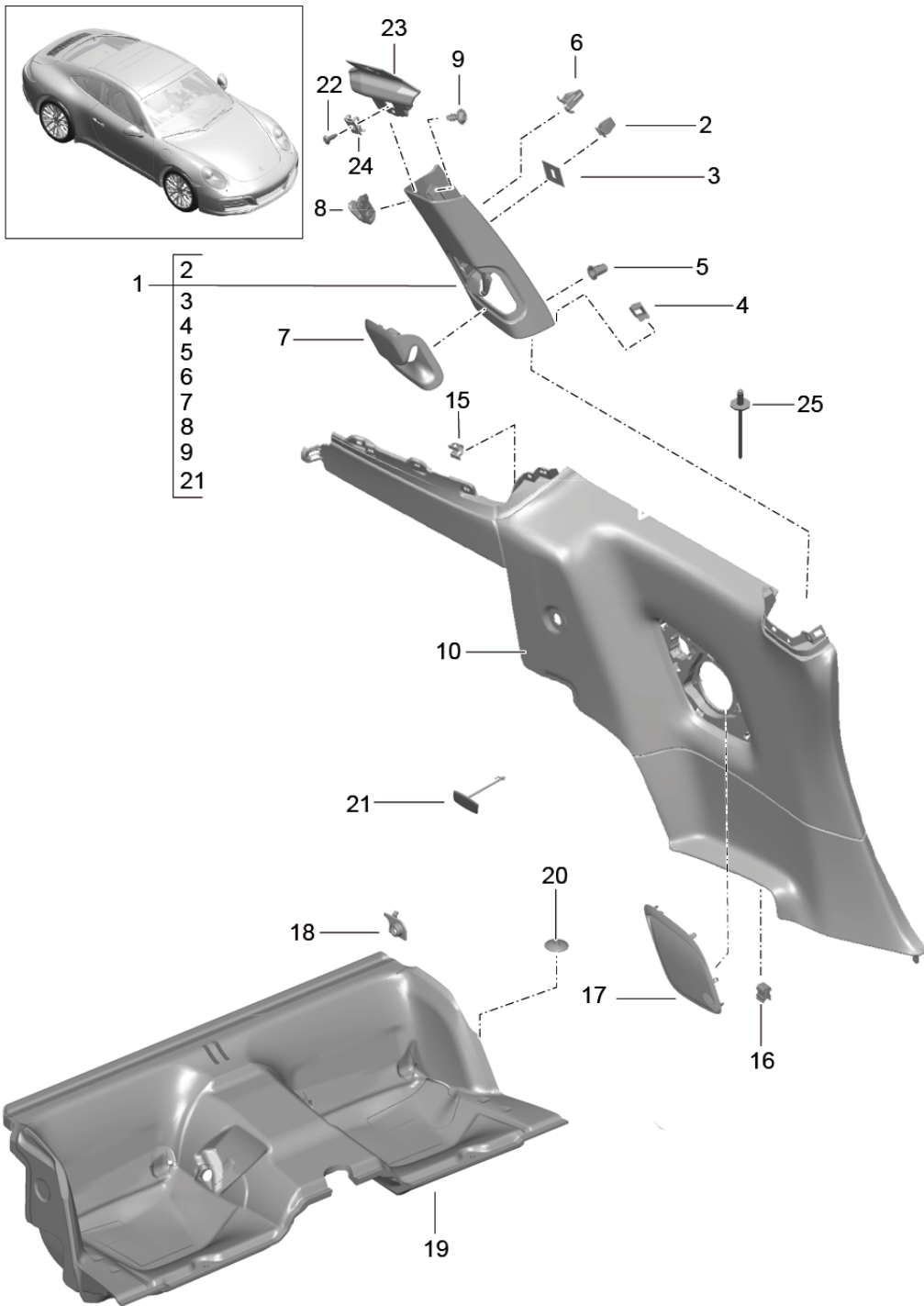
Model: 991-16

Model life 2017>>

Pos	Part Number	Description	Remark	Qty	Model
		Sill see illustration:	807-055		

Model: 991-16

Model life 2017>>



Model: 991-16 Model life 2017>>

Pos	Part Number	Description	Remark	Qty	Model
		Side panel trim Seat well B-pillar			COUPE
1	991 555 183 09	B-pillar trim	left	1	PR:-981
		D >> - MJ 2017			
	991 555 183 09 DK4	Black	-GF,GG,AG,AJ, AQ		
	991 555 183 09 DM5	Luxor beige	-UG,UJ,UQ		
	991 555 183 09 OS2	agate grey	-FG,FJ,FQ		
(1)	9P1 867 243 B	B-pillar trim	left	1	PR:-981,-553
		also use:			
		Position 21			
		D - MJ 2018>>			
	9P1 867 243 B DK4	Black	-GF,GG,AG,AJ, AQ,WS,WI,WL, WG		
	9P1 867 243 B OS2	agate grey	-FG,FJ,FQ		
(1)	991 555 184 09	B-pillar trim	right	1	PR:-981
		D >> - MJ 2017			
	991 555 184 09 DK4	Black	-GF,GG,AG,AJ, AQ		
	991 555 184 09 DM5	Luxor beige	-UG,UJ,UQ		
	991 555 184 09 OS2	agate grey	-FG,FJ,FQ		
(1)	9P1 867 244 B	B-pillar trim	right	1	PR:-981,-553
		also use:			
		Position 21			
		D - MJ 2018>>			
	9P1 867 244 B DK4	Black	-GF,GG,AG,AJ, AQ,WS,WI,WL, WG		
	9P1 867 244 B OS2	agate grey	-FG,FJ,FQ		
(1)	991 555 183 10	B-pillar trim (Alcantara)	left	1	PR:981
		D >> - MJ 2017			
	991 555 183 10 2W0	Black	-GQ,GR,GW,GY, AZ,SZ,LZ,BT, BM,TD		
	991 555 183 10 9U1	Luxor beige	-UZ		
	991 555 183 10 9U7	Espresso	-NE,BY		
	991 555 183 10 OU5	agate grey	-FZ		
	991 555 183 10 OH7	Graphite Blue	-HZ,BG,TG		
(1)	9P1 867 243 C	B-pillar trim (Alcantara)	left	1	PR:981,-553
		also use:			
		Position D - MJ 2018>>			
	9P1 867 243 C 2W0	Black	-GQ,GR,GW,GY, AZ,SZ,LZ,YS, YI,YL,YG,BT, BM		
	9P1 867 243 C 9U7	Espresso	-NE,BY		
	9P1 867 243 C OU5	agate grey	-FZ		
	9P1 867 243 C OH7	Graphite Blue	-HZ,BG		
(1)	991 555 184 10	B-pillar trim (Alcantara)	right	1	PR:981
		D >> - MJ 2017			
	991 555 184 10 2W0	Black	-GQ,GR,GW,GY, AZ,SZ,LZ,BT, BM,TD		
	991 555 184 10 9U1	Luxor beige	-UZ		
	991 555 184 10 9U7	Espresso	-NE,BY		

Model: 991-16 Model life 2017>>

Pos	Part Number	Description	Remark	Qty	Model
(1)	991 555 184 10 OU5	agate grey	-FZ	1	PR:981,-553
	991 555 184 10 OH7	Graphite Blue	-HZ,BG,TG		
	9P1 867 244 C	B-pillar trim (Alcantara)	right		
		also use: Position D - MJ 2018>> Black			
	9P1 867 244 C 2W0	Black	-GQ,GR,GW,GY, AZ,SZ,LZ,YS, YI,YL,YG,BT, BM		
	9P1 867 244 C 9U7	Espresso	-NE,BY		
	9P1 867 244 C OU5	agate grey	-FZ		
	9P1 867 244 C OH7	Graphite Blue	-HZ,BG		
2	999 507 839 01	Clip 3,5		1	
3	999 209 084 40	Distance piece 25 X 20 X 5		1	
4	991 555 883 00	Grommet		1	
5	997 555 857 00	Grommet		3	
6	5N0 880 385	Clip		1	
7	991 555 527 00	Airbag Rosette	left	1	
		Seat belt B-pillar			
	991 555 527 00 1E0	Black			
	991 555 527 00 4H0	Luxor beige			
	991 555 527 00 7N0	Espresso			
	991 555 527 00 OH7	Graphite Blue			
(7)	991 555 527 00 OP1	agate grey		1	
	991 555 528 00	Rosette	right		
		Seat belt B-pillar			
	991 555 528 00 1E0	Black			
	991 555 528 00 4H0	Luxor beige			
	991 555 528 00 7N0	Espresso			
	991 555 528 00 OH7	Graphite Blue			
8	991 555 528 00 OP1	agate grey		2	
	958 555 635 01	Coat hook			
	958 555 635 01 82V	Titan black			
	958 555 635 01 4H0	Luxor beige			
	958 555 635 01 7N0	Espresso			
	958 555 635 01 OH7	Graphite Blue			
	958 555 635 01 OP1	agate grey			
9	999 919 286 01	fillister hd. bolt 5,0 X 10,0		2	
10	991 555 071 21	Side panel trim slush technology	left	1	PR:-713,-981
		Black			
	991 555 071 21 DK4	Black			
	991 555 071 21 OS2	agate grey			
	991 555 071 21 DM5	Luxor beige			
(10)	991 555 072 21	Side panel trim slush technology	right	1	PR:-713,-981
		Black			
	991 555 072 21 DK4	Black			
	991 555 072 21 OS2	agate grey			
	991 555 072 21 DM5	Luxor beige			
(10)	991 555 071 19	Side panel trim Leather	left	1	PR:981,-713, -970,-XTG
		Black			
	991 555 071 19 A11	Black	-GR,GY,AZ,YS		
	991 555 071 19 OA1	agate grey	-FZ		
	991 555 071 19 OH7	Graphite Blue	-HZ		
	991 555 071 19 OG6	Bordeaux red	-LZ		
	991 555 071 19 OK6	saddle brown	-SZ		

Model: 991-16 Model life 2017>>

Pos	Part Number	Description	Remark	Qty	Model
	991 555 071 19 6J0	Espresso	-NE		
	991 555 071 19 7J0	Luxor beige	-UZ		
	991 555 071 19 DSK	Black/Carmine Red	-GQ		
	991 555 071 19 HAG	Black/Rhodium Silver	-GR		
	991 555 071 19 DRK	Black/Guards Red	-YI		
	991 555 071 19 DPI	Black/Racing Yellow	-YL		
	991 555 071 19 DSL	black/silver	-YG		
	991 555 071 19 JHB	Black/Dark Silver	-TD		
(10)	991 555 072 19	Side panel trim Leather	right	1	PR:981,-713, -970,-XTG
	991 555 072 19 A11	Black	-GR,GY,AZ,YS		
	991 555 072 19 OA1	agate grey	-FZ		
	991 555 072 19 OH7	Graphite Blue	-HZ		
	991 555 072 19 OG6	Bordeaux red	-LZ		
	991 555 072 19 OK6	saddle brown	-SZ		
	991 555 072 19 6J0	Espresso	-NE		
	991 555 072 19 7J0	Luxor beige	-UZ		
	991 555 072 19 DSK	Black/Carmine Red	-GQ		
	991 555 072 19 HAG	Black/Rhodium Silver	-GR		
	991 555 072 19 DRK	Black/Guards Red	-YI		
	991 555 072 19 DPI	Black/Racing Yellow	-YL		
	991 555 072 19 DSL	black/silver	-YG		
	991 555 072 19 JHB	Black/Dark Silver	-TD		
(10)	991 555 071 20	Side panel trim Leather	left	1	PR:970,981, -713,-XTG
		two-colour			
	991 555 071 20 DTO	Black/Luxor Beige			
	991 555 071 20 GUG	Black/Bordeaux Red			
	991 555 071 20 GTG	Graphite Blue/Chalk			
	991 555 071 20 GRG	Espresso/Cognac			
(10)	991 555 072 20	Side panel trim Leather	right	1	PR:970,981, -713,-XTG
		two-colour			
	991 555 072 20 DTO	Black/Luxor Beige			
	991 555 072 20 GUG	Black/Bordeaux Red			
	991 555 072 20 GTG	Graphite Blue/Chalk			
	991 555 072 20 GRG	Espresso/Cognac			
(10)	991 555 975 00	Side panel trim (leather)	left	1	PR:XTG,981, -970
	991 555 975 00 A11	Black			
	991 555 975 00 OA1	agate grey			
	991 555 975 00 OG6	Bordeaux red			
	991 555 975 00 OH7	Graphite Blue			
	991 555 975 00 OK6	saddle brown			
	991 555 975 00 6J0	Espresso			
	991 555 975 00 7J0	Luxor beige			
(10)	991 555 976 00	Side panel trim (leather)	right	1	PR:XTG,981, -970
	991 555 976 00 A11	Black			
	991 555 976 00 OA1	agate grey			
	991 555 976 00 OG6	Bordeaux red			
	991 555 976 00 OH7	Graphite Blue			
	991 555 976 00 OK6	saddle brown			
	991 555 976 00 6J0	Espresso			
	991 555 976 00 7J0	Luxor beige			
(10)	991 555 975 01	Side panel trim (leather)	left	1	PR:XTG,981, 970
		two-colour			
	991 555 975 01 DTO	Black/Luxor Beige			
	991 555 975 01 GUG	Black/Bordeaux Red			
	991 555 975 01 GTG	Graphite Blue/Chalk			
	991 555 975 01 GRG	Espresso/Cognac			
(10)	991 555 976 01	Side panel trim (leather)	right	1	PR:XTG,981,

Model: 991-16 Model life 2017>>

Pos	Part Number	Description	Remark	Qty	Model
		two-colour			970
	991 555 976 01 DTO	Black/Luxor Beige			
	991 555 976 01 GUG	Black/Bordeaux Red			
	991 555 976 01 GTG	Graphite Blue/Chalk			
	991 555 976 01 GRG	Espresso/Cognac			
(10)	991 555 975 06	Side panel trim (leather)	left	1	PR:XTG,981,713
	991 555 975 06 DSK	Black/Carmine Red			
	991 555 975 06 HAG	Black/Rhodium Silver			
	991 555 975 06 A11	Black			
(10)	991 555 976 06	Side panel trim (leather)	right	1	PR:XTG,981,713
	991 555 976 06 DSK	Black/Carmine Red			
	991 555 976 06 HAG	Black/Rhodium Silver			
	991 555 976 06 A11	Black			
15	999 507 533 02	Clamp 8,0 X 10,0		3	
16	991 555 875 00	Rubber ply		8	
17	991 555 049 00	Loudspeaker trim	left	1	
	991 555 049 00 1E0	Black			
	991 555 049 00 4H0	Luxor beige			
	991 555 049 00 7N0	Espresso			
	991 555 049 00 8P0	Cognac			
	991 555 049 00 OG6	Bordeaux red			
	991 555 049 00 OH7	Graphite Blue			
	991 555 049 00 OM8	saddle brown			
	991 555 049 00 OL8	Chalk			
	991 555 049 00 OP1	agate grey			
(17)	991 555 050 00	Loudspeaker trim	right	1	
	991 555 050 00 1E0	Black			
	991 555 050 00 4H0	Luxor beige			
	991 555 050 00 7N0	Espresso			
	991 555 050 00 8P0	Cognac			
	991 555 050 00 OG6	Bordeaux red			
	991 555 050 00 OH7	Graphite Blue			
	991 555 050 00 OM8	saddle brown			
	991 555 050 00 OL8	Chalk			
	991 555 050 00 OP1	agate grey			
18	991 555 701 00	Rosette Bracket backrest	left	1	
	991 555 701 00 1E0	Black			
(18)	991 555 702 00	Rosette Bracket backrest	right	1	
	991 555 702 00 1E0	Black			
19	991 551 017 02	Carpet		1	
	991 551 017 02 A75	Black			
	991 551 017 02 C75	agate grey			
	991 551 017 02 CH6	saddle brown			
	991 551 017 02 OG6	Bordeaux red			
	991 551 017 02 OH7	Graphite Blue			
	991 551 017 02 R75	Espresso			
	991 551 017 02 T75	Luxor beige			
20	999 049 020 40	Plastic nut T5 30 X 5,1		2	
21	9P1 867 329	Dummy cover D - MJ 2018>>		1	PR:-553
	9P1 867 329 1E0	Black	-GF,GG,GQ,GR, GW,GY,AG,AJ, AQ,WS,WI,WL, WG,AZ,SZ,LZ,		

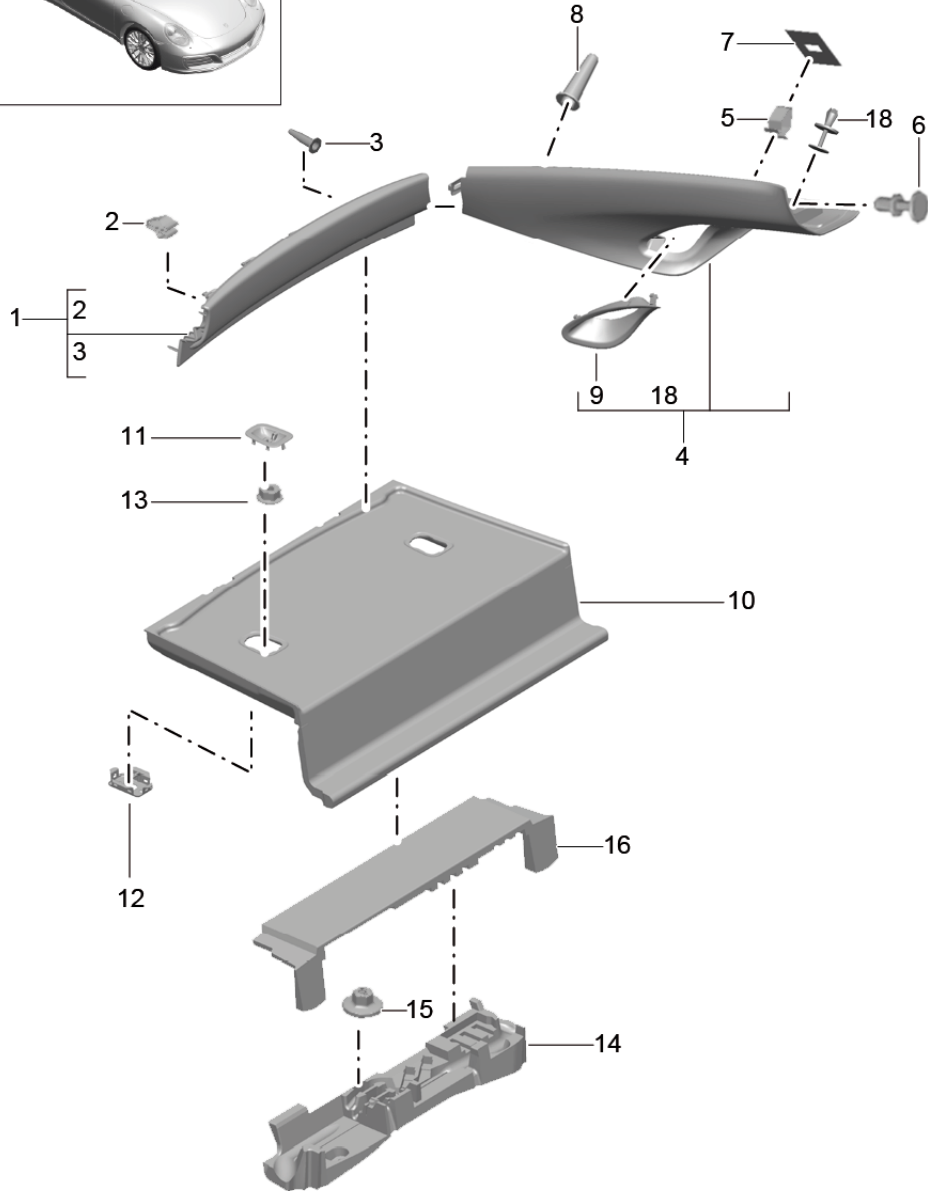
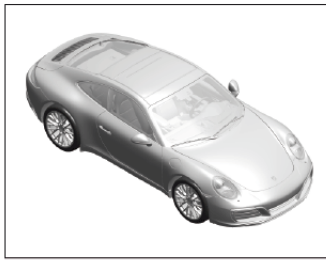
Model: 991-16

Model life 2017>>

Pos	Part Number	Description	Remark	Qty	Model
	9P1 867 329 OP1	agate grey	YS, YI, YL, YG,		
	9P1 867 329 OH7	Graphite Blue	BT, BM, TD		
	9P1 867 329 7N0	Espresso	-FG, FJ, FQ, FZ		
22	999 073 459 01	fillister hd. bolt M5X16	-HZ, BG, TG -NE, BY	2	
		D - MJ 2018>>			
23	9P1 868 785	Bracket	left	1	
		D - MJ 2018>>			
(23)	9P1 868 786	Bracket	right	1	
		D - MJ 2018>>			
24	999 507 702 01	panel nut M5		1	
25	N 900 978 02	Pop rivet A 4,0X6,0		1	

Model: 991-16

Model life 2017>>





Model: 991-16 Model life 2017>>

Pos	Part Number	Description	Remark	Qty	Model
1	991 555 093 08	Linings c-pillar Rear panel trim Carpet	rear	1	COUPE PR:426
	991 555 093 08 A75	Black	-AG,AJ,AQ,AZ, BT,BM,TD		
	991 555 093 08 C75	agate grey	-FG,FJ,FQ,FZ		
	991 555 093 08 T75	Luxor beige	-UG,UJ,UQ,UZ		
	991 555 093 08 OH7	Graphite Blue	-HZ,BG,TG		
	991 555 093 08 CH6	saddle brown	-SZ		
	991 555 093 08 OG6	Bordeaux red	-LZ		
	991 555 093 08 R75	Espresso	-NE,BY		
(1)	991 555 093 09	Rear panel trim Carpet		1	PR:425
	991 555 093 09 A75	Black	-AG,AJ,AQ,AZ, BT,BM,TD		
	991 555 093 09 C75	agate grey	-FG,FJ,FQ,FZ		
	991 555 093 09 T75	Luxor beige	-UG,UJ,UQ,UZ		
	991 555 093 09 OH7	Graphite Blue	-HZ,BG,TG		
	991 555 093 09 CH6	saddle brown	-SZ		
	991 555 093 09 OG6	Bordeaux red	-LZ		
	991 555 093 09 R75	Espresso	-NE,BY		
2	999 507 130 01	U-clip		7	
3	9P1 863 275	Grommet		2	
			short		
(3)	9P1 863 275 A	Grommet		2	
			long		
4	991 555 187 01	C-pillar trim (Alcantara)	left	1	PR:594
		D >> - MJ 2017			
	991 555 187 01 2W0	Black	-AG,AJ,AQ,AZ, SZ,LZ,BT,BM, TD		
	991 555 187 01 OU5	agate grey	-FG,FJ,FQ,FZ		
	991 555 187 01 9U1	Luxor beige	-UG,UJ,UQ,UZ		
	991 555 187 01 OH7	Graphite Blue	-HZ,BG,TG		
	991 555 187 01 9U7	Espresso	-NE,BY		
4	9P1 867 287 B	C-pillar trim (Alcantara)	left	1	PR:594
		D - MJ 2018>>			
	9P1 867 287 B 2W0	Black	-GF,GG,GQ,GR, GW,GY,AG,FG, AJ,AQ,WS,WI, WL,WG,AZ,SZ, LZ,YS,YI,YL, YG,BT,BM,TD		
	9P1 867 287 B OU5	agate grey	-FJ,FQ,FZ		
	9P1 867 287 B OH7	Graphite Blue	-HZ,BG,TG		
	9P1 867 287 B 9U7	Espresso	-NE,BY		
(4)	9P1 867 287 C	C-pillar trim (Alcantara)	left	1	PR:594,713
		D - MJ 2018>>			
	9P1 867 287 C 2W0	Black	-GF,GG,GQ,GR, GW,GY,WS,WI, WL,WG,YS,YI, YL,YG		
(4)	991 555 188 01	C-pillar trim (Alcantara)	right	1	PR:594
		D >> - MJ 2017			
	991 555 188 01 2W0	Black	-AG,AJ,AQ,AZ, SZ,LZ,BT,BM, TD		
	991 555 188 01 OU5	agate grey	-FG,FJ,FQ,FZ		

Model: 991-16 Model life 2017>>

Pos	Part Number	Description	Remark	Qty	Model
(4)	991 555 188 01 9U1	Luxor beige	-UG,UJ,UQ,UZ	1	PR:594
	991 555 188 01 OH7	Graphite Blue	-HZ,BG,TG		
	991 555 188 01 9U7	Espresso	-NE,BY		
	9P1 867 288 B	C-pillar trim (Alcantara) D - MJ 2018>>	right		
	9P1 867 288 B 2W0	Black	-GF,GG,GQ,GR, GW,GY,AG,FG, AJ,AQ,WS,WI, WL,WG,AZ,SZ, LZ,YS,YI,YL, YG,BT,BM,TD		
	9P1 867 288 B OU5	agate grey	-FJ,FQ,FZ		
	9P1 867 288 B OH7	Graphite Blue	-HZ,BG,TG		
	9P1 867 288 B 9U7	Espresso	-NE,BY		
(4)	9P1 867 288 C	C-pillar trim (Alcantara) D - MJ 2018>>	right	1	PR:594,713
	9P1 867 288 C 2W0	Black	-GF,GG,GQ,GR, GW,GY,WS,WI, WL,WG,YS,YI, YL,YG		
5	999 507 839 01	Clip 3,5		2	
6	N 107 009 01	Spreader rivet		1	
7	999 209 084 40	Distance piece 25 X 20 X 25		2	
8	996 555 857 00	Grommet		3	
9	991 555 545 00	Rosette Seat belt	left rear	1	PR:594
	991 555 545 00 1E0	Black	-AG,AJ,AQ,AZ, SZ,LZ,BT,BM, TD		
	991 555 545 00 OP1	agate grey	-FG,FJ,FQ,FZ		
	991 555 545 00 4H0	Luxor beige	-UG,UJ,UQ,UZ		
	991 555 545 00 OH7	Graphite Blue	-HZ,BG,TG		
	991 555 545 00 7N0	Espresso	-NE,BY		
(9)	991 555 546 00	Rosette Seat belt	right rear	1	PR:594
	991 555 546 00 1E0	Black	-AG,AJ,AQ,AZ, SZ,LZ,BT,BM, TD		
	991 555 546 00 OP1	agate grey	-FG,FJ,FQ,FZ		
	991 555 546 00 4H0	Luxor beige	-UG,UJ,UQ,UZ		
	991 555 546 00 OH7	Graphite Blue	-HZ,BG,TG		
	991 555 546 00 7N0	Espresso	-NE,BY		
10	991 551 031 02	Trim Carpet	rear	1	
	991 551 031 02 A75	Black	-AG,AJ,AQ,AZ, BT,BM,TD		
	991 551 031 02 C75	agate grey	-FG,FJ,FQ,FZ		
	991 551 031 02 T75	Luxor beige	-UG,UJ,UQ,UZ		
	991 551 031 02 OH7	Graphite Blue	-HZ,BG,TG		
	991 551 031 02 CH6	saddle brown	-SZ		
	991 551 031 02 OG6	Bordeaux red	-LZ		
	991 551 031 02 R75	Espresso	-NE,BY		
11	991 551 587 02	Trim Trim		2	
	991 551 587 02 1E0	Black	-AG,AJ,AQ,AZ, BT,BM,TD		
	991 551 587 02 OP1	agate grey	-FG,FJ,FQ,FZ		
	991 551 587 02 4H0	Luxor beige	-UG,UJ,UQ,UZ		
	991 551 587 02 OH7	Graphite Blue	-HZ,BG,TG		

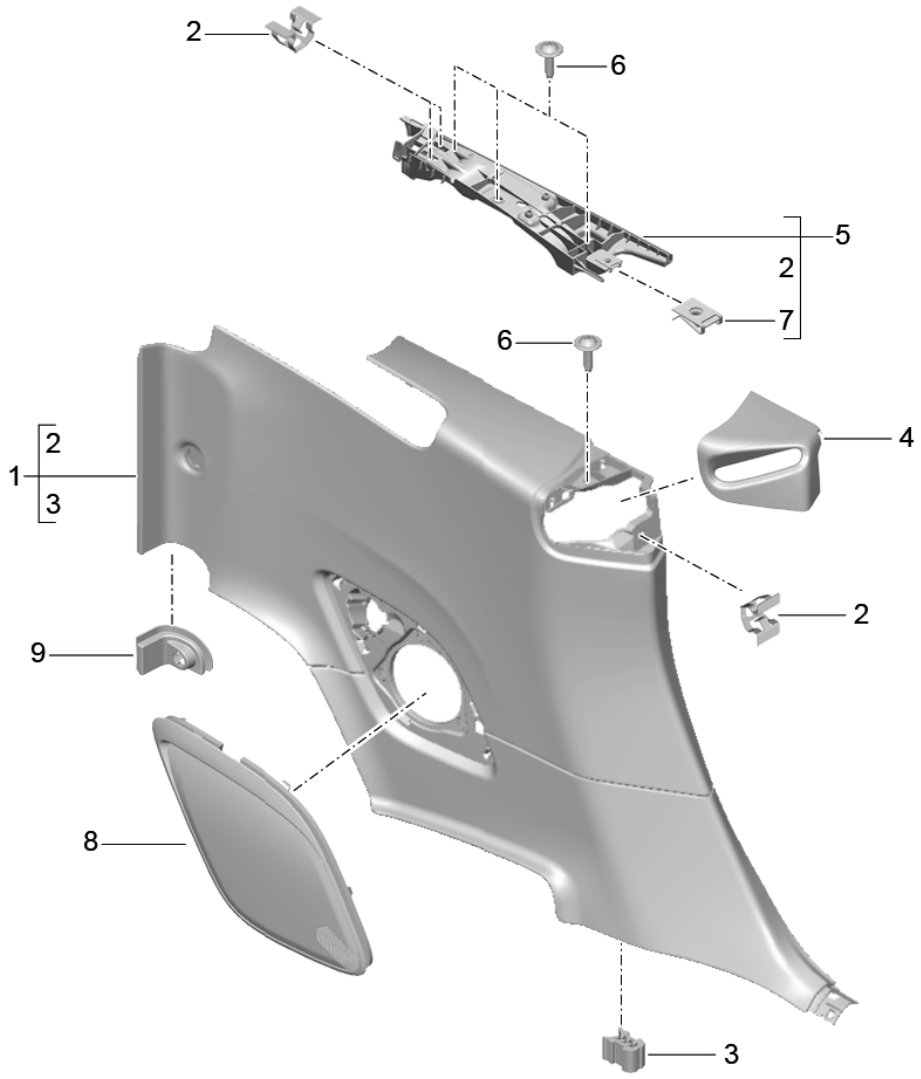
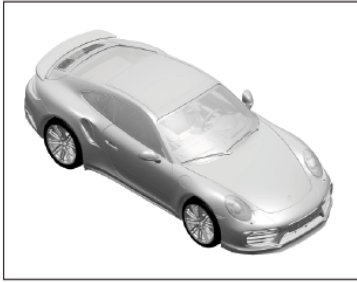
Model: 991-16

Model life 2017&gt;&gt;

Pos	Part Number	Description	Remark	Qty	Model
	991 551 587 02 OM8	saddle brown	-SZ		
	991 551 587 02 OG6	Bordeaux red	-LZ		
	991 551 587 02 7N0	Espresso	-NE, BY		
12	991 551 585 02	Retainer for trim		2	
13	N 015 082 13	Hexagon collar nut M 6		4	
14	991 551 581 01	Foam part Control units		1	
15	999 049 032 40	Hexagon plastic collar nut T6 /22 X 10,5		2	
16	991 551 583 01	Cover Foam part		1	
17	991 555 449 03	Plug-in part Transverse		1	
	991 555 449 03 5Q0	Black			
18	N 105 835 01	Spreader rivet D - MJ 2018>>		1	

Model: 991-16

Model life 2017>>



Model: 991-16 Model life 2017>>

Pos	Part Number	Description	Remark	Qty	Model
1	991 555 071 16	Side panel trim Side panel trim Leather	rear left	1	CABRIO PR:981,-XTG, -970
	991 555 071 16 A11	Black	-AZ,GW,GY		
	991 555 071 16 OA1	agate grey	-FZ		
	991 555 071 16 OH7	Graphite Blue	-HZ		
	991 555 071 16 OK6	saddle brown	-SZ		
	991 555 071 16 7J0	Luxor beige	-UZ		
	991 555 071 16 OG6	Bordeaux red	-LZ		
	991 555 071 16 JHB	Black/Dark Silver	-TD		
	991 555 071 16 6J0	Espresso	-NE		
	991 555 071 16 DSK	Black/Carmine Red	-GQ		
	991 555 071 16 HAG	Black/Rhodium Silver	-GR		
(1)	991 555 072 16	Side panel trim Leather	right	1	PR:981,-XTG, -970
	991 555 072 16 A11	Black	-AZ,GW,GY		
	991 555 072 16 OA1	agate grey	-FZ		
	991 555 072 16 OH7	Graphite Blue	-HZ		
	991 555 072 16 OK6	saddle brown	-SZ		
	991 555 072 16 7J0	Luxor beige	-UZ		
	991 555 072 16 OG6	Bordeaux red	-LZ		
	991 555 072 16 JHB	Black/Dark Silver	-TD		
	991 555 072 16 6J0	Espresso	-NE		
	991 555 072 16 DSK	Black/Carmine Red	-GQ		
	991 555 072 16 HAG	Black/Rhodium Silver	-GR		
(1)	991 555 071 17	Side panel trim Leather two-colour	left	1	PR:970,981, -XTG
	991 555 071 17 GFI	Black/Luxor Beige	-BT		
	991 555 071 17 GUI	Black/Bordeaux Red	-BM		
	991 555 071 17 GTI	Graphite Blue/Chalk	-BG,TG		
	991 555 071 17 GRG	Espresso/Cognac	-BY		
(1)	991 555 072 17	Side panel trim Leather two-colour	right	1	PR:970,981, -XTG
	991 555 072 17 GFI	Black/Luxor Beige	-BT		
	991 555 072 17 GUI	Black/Bordeaux Red	-BM		
	991 555 072 17 GTI	Graphite Blue/Chalk	-BG,TG		
	991 555 072 17 GRG	Espresso/Cognac	-BY		
(1)	991 555 071 18	Side panel trim slush technology	left	1	PR:-981
	991 555 071 18 DK4	Black	-AG,AJ,AQ,GF, GG		
	991 555 071 18 OS2	agate grey	-FG,FJ,FQ		
	991 555 071 18 DM5	Luxor beige	-UG,UJ,UQ		
(1)	991 555 072 18	Side panel trim slush technology	right	1	PR:-981
	991 555 072 18 DK4	Black	-AG,AJ,AQ,GF, GG		
	991 555 072 18 OS2	agate grey	-FG,FJ,FQ		
	991 555 072 18 DM5	Luxor beige	-UG,UJ,UQ		
(1)	991 555 975 02	Side panel trim (leather)	left	1	PR:981,XTG, -970
	991 555 975 02 A11	Black	-AZ,GW,GY		
	991 555 975 02 OA1	agate grey	-FZ		
	991 555 975 02 OH7	Graphite Blue	-HZ		
	991 555 975 02 OK6	saddle brown	-SZ		
	991 555 975 02 7J0	Luxor beige	-UZ		
	991 555 975 02 OG6	Bordeaux red	-LZ		
	991 555 975 02 JHB	Black/Dark Silver	-TD		
	991 555 975 02 6J0	Espresso	-NE		
	991 555 975 02 DSK	Black/Carmine Red	-GQ		
	991 555 975 02 HAG	Black/Rhodium Silver	-GR		

Model: 991-16 Model life 2017>>

Pos	Part Number	Description	Remark	Qty	Model
(1)	991 555 976 02	Side panel trim (leather)	right	1	PR:981,XTG, -970
	991 555 976 02 A11	Black	-AZ,GW,GY		
	991 555 976 02 OA1	agate grey	-FZ		
	991 555 976 02 OH7	Graphite Blue	-HZ		
	991 555 976 02 OK6	saddle brown	-SZ		
	991 555 976 02 7J0	Luxor beige	-UZ		
	991 555 976 02 OG6	Bordeaux red	-LZ		
	991 555 976 02 JHB	Black/Dark Silver	-TD		
	991 555 976 02 6J0	Espresso	-NE		
	991 555 976 02 DSK	Black/Carmine Red	-GQ		
	991 555 976 02 HAG	Black/Rhodium Silver	-GR		
(1)	991 555 975 03	Side panel trim (leather)	left	1	PR:981,XTG, 970
	991 555 975 03 GFI	Black/Luxor Beige	-BT		
	991 555 975 03 GUI	Black/Bordeaux Red	-BM		
	991 555 975 03 GTI	Graphite Blue/Chalk	-BG,TG		
	991 555 975 03 GRG	Espresso/Cognac	-BY		
(1)	991 555 976 03	Side panel trim (leather)	right	1	PR:981,XTG, 970
	991 555 976 03 GFI	Black/Luxor Beige	-BT		
	991 555 976 03 GUI	Black/Bordeaux Red	-BM		
	991 555 976 03 GTI	Graphite Blue/Chalk	-BG,TG		
	991 555 976 03 GRG	Espresso/Cognac	-BY		
2	999 507 533 02	Clamp 8,0 X 10,0		3	
3	991 555 875 00	Rubber ply		8	
4	991 555 671 04	Rosette Seat belt B-pillar	left	1	
	991 555 671 04 5Q0	Black	-AG,AJ,AQ,AZ, BT,BM,TD,GF, GG,GQ,GR,GW, GY GTS		
	991 555 671 04 OA6	agate grey	-FG,FJ,FQ,FZ		
	991 555 671 04 6W0	Luxor beige	-UG,UJ,UQ,UZ		
	991 555 671 04 OH7	Graphite Blue	-HZ,BG,TG		
	991 555 671 04 OL7	saddle brown	-SZ		
	991 555 671 04 OG6	Bordeaux red	-LZ		
	991 555 671 04 3T0	Espresso	-NE,BY		
(4)	991 555 672 04	Rosette Seat belt B-pillar	right	1	
	991 555 672 04 5Q0	Black	-AG,AJ,AQ,AZ, BT,BM,TD,GF, GG,GQ,GR,GW, GY GTS		
	991 555 672 04 OA6	agate grey	-FG,FJ,FQ,FZ		
	991 555 672 04 6W0	Luxor beige	-UG,UJ,UQ,UZ		
	991 555 672 04 OH7	Graphite Blue	-HZ,BG,TG		
	991 555 672 04 OL7	saddle brown	-SZ		
	991 555 672 04 OG6	Bordeaux red	-LZ		
	991 555 672 04 3T0	Espresso	-NE,BY		
5	991 555 571 02	Carrier Side panel trim	left	1	
(5)	991 555 572 02	Carrier Side panel trim	right	1	
6	999 073 322 02	fillister hd. bolt M 6 X 20		X	
7	999 507 246 01	panel nut M6		2	

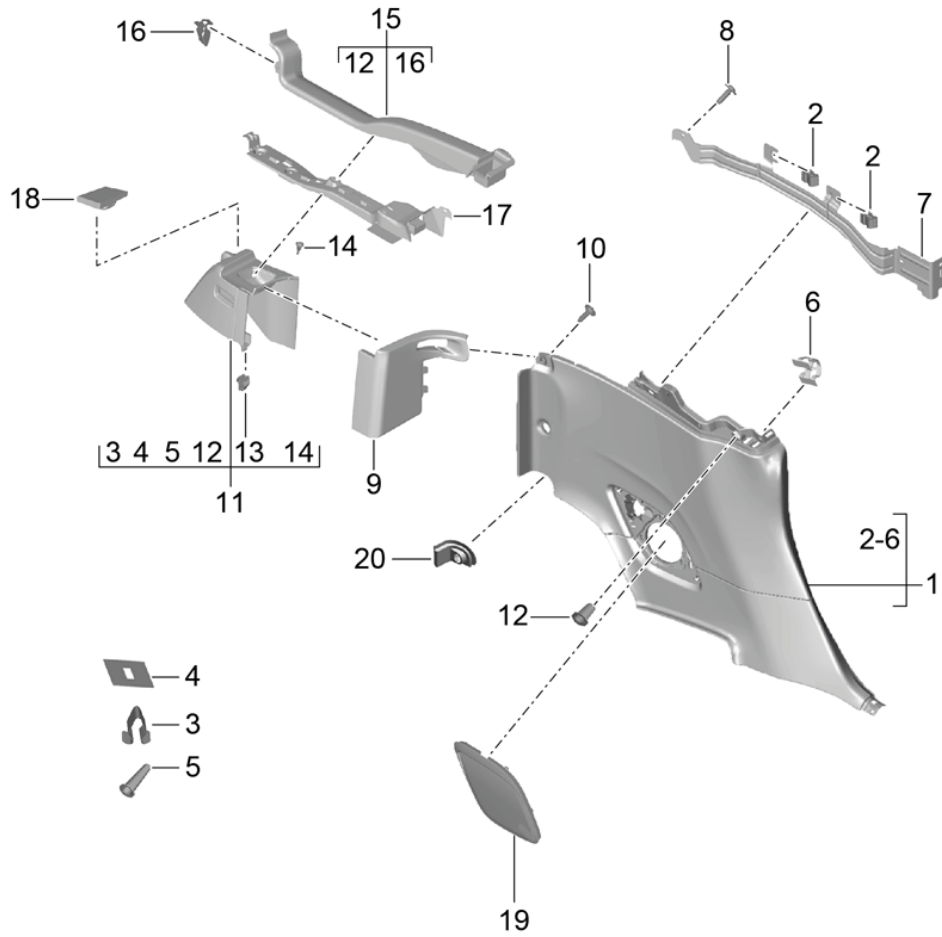
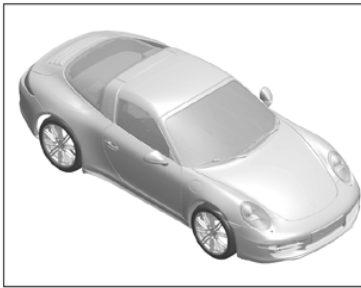
Model: 991-16

Model life 2017>>

Pos	Part Number	Description	Remark	Qty	Model
8	991 555 049 00	Loudspeaker trim	left	1	
	991 555 049 00 1E0	Black	-AZ,TD		
	991 555 049 00 OP1	agate grey	-FZ		
	991 555 049 00 OH7	Graphite Blue	-HZ		
	991 555 049 00 OM8	saddle brown	-SZ		
	991 555 049 00 4H0	Luxor beige	-UZ,BT		
	991 555 049 00 OG6	Bordeaux red	-LZ,BM		
	991 555 049 00 OL8	Chalk	-BG,TG		
	991 555 049 00 7N0	Espresso	-NE		
	991 555 049 00 8P0	Cognac	-BY		
(8)	991 555 050 00	Loudspeaker trim	right	1	
	991 555 050 00 1E0	Black	-AZ,TD		
	991 555 050 00 OP1	agate grey	-FZ		
	991 555 050 00 OH7	Graphite Blue	-HZ		
	991 555 050 00 OM8	saddle brown	-SZ		
	991 555 050 00 4H0	Luxor beige	-UZ,BT		
	991 555 050 00 OG6	Bordeaux red	-LZ,BM		
	991 555 050 00 OL8	Chalk	-BG,TG		
	991 555 050 00 7N0	Espresso	-NE		
	991 555 050 00 8P0	Cognac	-BY		
9	991 555 701 01	Rosette Bracket backrest	left	1	PR:685
	991 555 701 01 1E0	Black			
(9)	991 555 702 01	Rosette Bracket backrest	right	1	PR:685
	991 555 702 01 1E0	Black			

Model: 991-16

Model life 2017>>





Model: 991-16 Model life 2017>>

Pos	Part Number	Description	Remark	Qty	Model
1	991 555 071 06	Side panel trim Side panel trim slush technology	rear left	1	TARGA PR:-981
	991 555 071 06 DK4	Black	-AG,AJ,AQ,GF, GG		
	991 555 071 06 OS2	agate grey	-FG,FJ,FQ		
	991 555 071 06 DM5	Luxor beige	-UG,UJ,UQ		
(1)	991 555 072 06	Side panel trim slush technology	right	1	PR:-981
	991 555 072 06 DK4	Black	-AG,AJ,AQ,GF, GG		
	991 555 072 06 OS2	agate grey	-FG,FJ,FQ		
	991 555 072 06 DM5	Luxor beige	-UG,UJ,UQ		
(1)	991 555 071 07	Side panel trim (leather)	left	1	PR:981,-XTG, -970
	991 555 071 07 A11	Black	-AZ,TD,GQ,GR, GW,GY		
	991 555 071 07 OA1	agate grey	-FZ		
	991 555 071 07 OH7	Graphite Blue	-HZ		
	991 555 071 07 OK6	saddle brown	-SZ		
	991 555 071 07 7J0	Luxor beige	-UZ		
	991 555 071 07 OG6	Bordeaux red	-LZ		
	991 555 071 07 6J0	Espresso	-NE		
(1)	991 555 072 07	Side panel trim (leather)	right	1	PR:981,-XTG, -970
	991 555 072 07 A11	Black	-AZ,TD,GQ,GR, GW,GY		
	991 555 072 07 OA1	Black/agate grey	-FZ		
	991 555 072 07 OH7	Graphite Blue	-HZ		
	991 555 072 07 OK6	saddle brown	-SZ		
	991 555 072 07 7J0	Luxor beige	-UZ		
	991 555 072 07 OG6	Bordeaux red	-LZ		
	991 555 072 07 6J0	Black/espresso	-NE		
(1)	991 555 071 08	Side panel trim Leather two-colour	left	1	PR:970,981, -XTG
	991 555 071 08 GFI	Black/Luxor Beige	-BT		
	991 555 071 08 GUI	Black/Bordeaux Red	-BM		
	991 555 071 08 GTI	Graphite Blue/Chalk	-BG,TG		
	991 555 071 08 GRI	Espresso/Cognac	-BY		
(1)	991 555 072 08	Side panel trim Leather two-colour	right	1	PR:970,981, -XTG
	991 555 072 08 GFI	Black/Luxor Beige	-BT		
	991 555 072 08 GUI	Black/Bordeaux Red	-BM		
	991 555 072 08 GTI	Graphite Blue/Chalk	-BG,TG		
	991 555 072 08 GRI	Espresso/Cognac	-BY		
(1)	991 555 975 04	Side panel trim (leather)	left	1	PR:981,XTG, -970
	991 555 975 04 A11	Black	-AZ,TD,GQ,GR, GW,GY		
	991 555 975 04 OA1	agate grey	-FZ		
	991 555 975 04 OH7	Graphite Blue	-HZ		
	991 555 975 04 OK6	saddle brown	-SZ		
	991 555 975 04 7J0	Luxor beige	-UZ		
	991 555 975 04 OG6	Bordeaux red	-LZ		
	991 555 975 04 6J0	Espresso	-NE		
(1)	991 555 976 04	Side panel trim (leather)	right	1	PR:981,XTG, -970
	991 555 976 04 A11	Black	-AZ,TD,GQ,GR, GW,GY		
	991 555 976 04 OA1	Black/agate grey	-FZ		
	991 555 976 04 OH7	Graphite Blue	-HZ		

Model: 991-16

Model life 2017&gt;&gt;

Pos	Part Number	Description	Remark	Qty	Model
	991 555 976 04 OK6	saddle brown	-SZ		
	991 555 976 04 7J0	Luxor beige	-UZ		
	991 555 976 04 OG6	Bordeaux red	-LZ		
	991 555 976 04 6J0	Black/espresso	-NE		
(1)	991 555 975 05	Side panel trim Leather two-colour	left	1	PR:XTG,981, 970
	991 555 975 05 GFI	Black/Luxor Beige	-BT		
	991 555 975 05 GUI	Black/Bordeaux Red	-BM		
	991 555 975 05 GTI	Graphite Blue/Chalk	-BG,TG		
	991 555 975 05 GRI	Espresso/Cognac	-BY		
(1)	991 555 976 05	Side panel trim Leather two-colour	right	1	PR:XTG,981, 970
	991 555 976 05 GFI	Black/platinum grey/black/ luxor beige	-BT		
	991 555 976 05 GUI	Black/Bordeaux Red	-BM		
	991 555 976 05 GTI	Graphite Blue/Chalk	-BG,TG		
	991 555 976 05 GRI	Black/platinum grey/espresso/ cognac	-BY		
2	991 555 875 00	Rubber ply		X	
3	999 507 839 01	Clip 3,5		X	
4	999 209 084 40	Distance piece		X	
5	996 555 857 00	Grommet Long		X	
6	999 507 533 02	Clamp 8 X 10		X	
7	991 555 171 01	Carrier Side panel trim	left	1	
(7)	991 555 172 01	Carrier Side panel trim	right	1	
8	999 073 322 02	fillister hd. bolt M6 X 20		1	
9	991 555 671 05	Rosette Belt Dome strut	left	1	
	991 555 671 05 5Q0	Black	-AG,AJ,AQ,AZ, BT,BM,TD,GF, GG,GQ,GR,GW, GY		
	991 555 671 05 OA6	agate grey	-FG,FJ,FQ,FZ		
	991 555 671 05 6W0	Luxor beige	-UG,UJ,UQ,UZ		
	991 555 671 05 OH7	Graphite Blue	-HZ,BG,TG		
	991 555 671 05 OL7	saddle brown	-SZ		
	991 555 671 05 OG6	Bordeaux red	-LZ		
	991 555 671 05 3T0	Espresso	-NE,BY		
(9)	991 555 672 05	Rosette Belt Dome strut	right	1	
	991 555 672 05 5Q0	Black	-AG,AJ,AQ,AZ, BT,BM,TD,GF, GG,GQ,GR,GW, GY		
	991 555 672 05 OA6	agate grey	-FG,FJ,FQ,FZ		
	991 555 672 05 6W0	Luxor beige	-UG,UJ,UQ,UZ		
	991 555 672 05 OH7	Graphite Blue	-HZ,BG,TG		
	991 555 672 05 OL7	saddle brown	-SZ		
	991 555 672 05 OG6	Bordeaux red	-LZ		
	991 555 672 05 3T0	Espresso	-NE,BY		
10	999 073 322 02	fillister hd. bolt M6 X 20		2	
11	991 555 461 02	Trim	left	1	

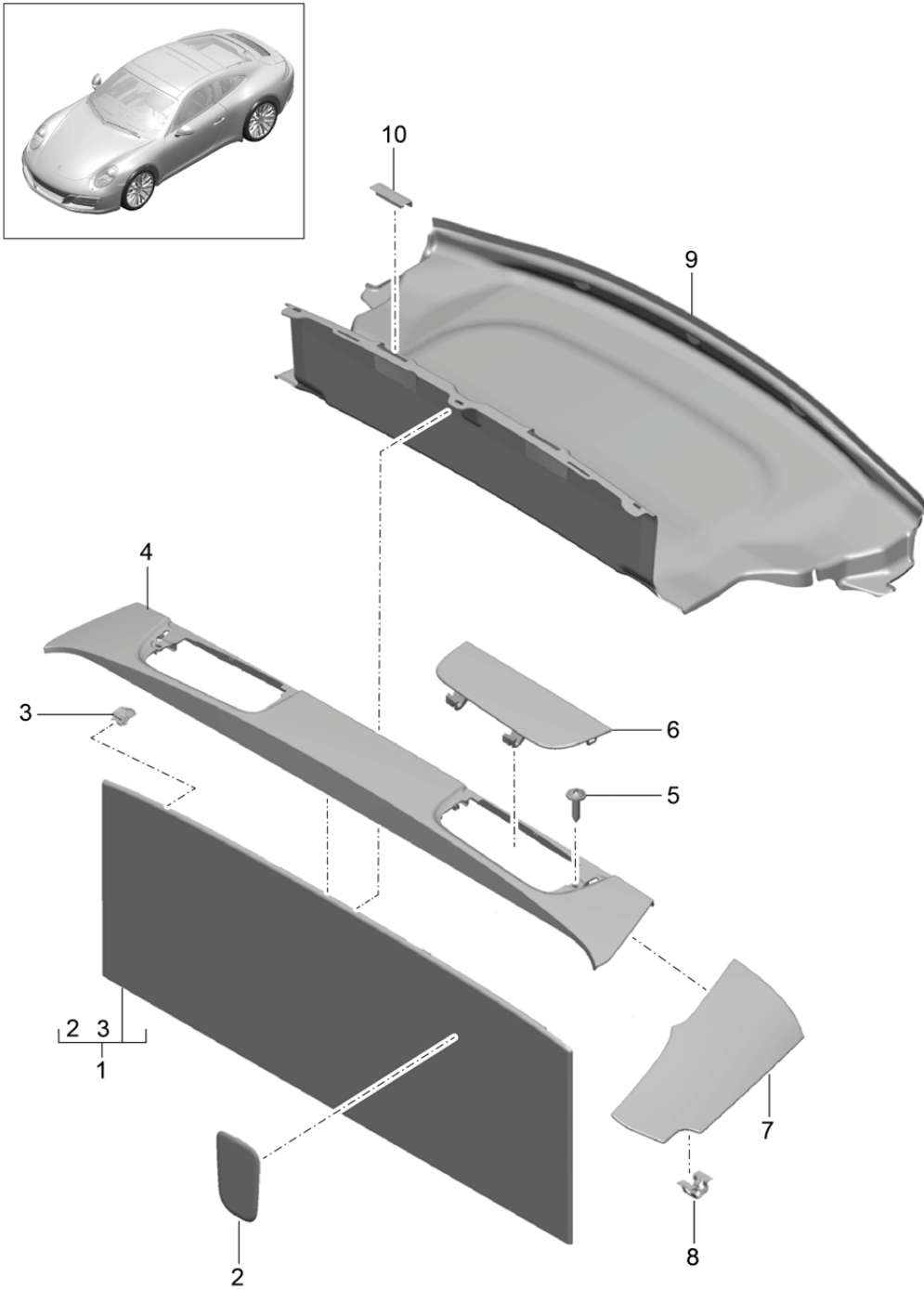
Model: 991-16

Model life 2017>>

Pos	Part Number	Description	Remark	Qty	Model
(11)	991 555 461 02 5Q0 991 555 462 02	Dome strut Belt Black Trim	right	1	
12	991 555 462 02 5Q0 997 555 857 00	Dome strut Belt Black Grommet		X	
13	999 507 130 01	Short U-clip		X	
14	999 703 041 40	Rubber buffer		X	
15	991 555 463 01	Trim Dome strut Belt	left rear	1	
(15)	991 555 463 01 5Q0 991 555 464 01	Black Trim Dome strut Belt	right rear	1	
16	991 555 464 01 5Q0 8X0 867 276 A	Black Clip		X	
17	991 555 515 00	Bracket Dome strut Belt	left	1	
(17)	991 555 516 00	Bracket Dome strut Belt	right	1	
18	991 555 639 01	shelf Centring journal Trim Dome strut Belt	left	1	
(18)	991 555 640 01	shelf Centring journal Trim Dome strut Belt	right	1	
19	991 555 049 00 991 555 049 00 1E0	Loudspeaker trim Black	left	1	
(19)	991 555 050 00 991 555 050 00 1E0	Loudspeaker trim Black	right	1	
20	991 555 701 01	Rosette Bracket backrest	left	1	PR:685
(20)	991 555 701 01 1E0 991 555 702 01	Black Rosette Bracket backrest	right	1	PR:685
	991 555 702 01 1E0	Black			

Model: 991-16

Model life 2017>>



Model: 991-16 Model life 2017>>

Pos	Part Number	Description	Remark	Qty	Model
1	991 555 081 06	Trim Rear panel trim	rear	1	PR:-479
	991 555 081 06 A75	Carpet Black	-AG,AJ,AQ,AZ, BT,BM,TD		
	991 555 081 06 C75	agate grey	-FG,FJ,FQ,FZ		
	991 555 081 06 T75	Luxor beige	-UG,UJ,UQ,UZ		
	991 555 081 06 OH7	Graphite Blue	-HZ,BG,TG		
	991 555 081 06 CH6	saddle brown	-SZ		
	991 555 081 06 OG6	Bordeaux red	-LZ		
	991 555 081 06 R75	Espresso	-NE,BY		
(1)	991 555 081 07	Rear panel trim		1	PR:479
	991 555 081 07 A75	Carpet Black	-AG,AJ,AQ,AZ, BT,BM,TD		
	991 555 081 07 C75	agate grey	-FG,FJ,FQ,FZ		
	991 555 081 07 T75	Luxor beige	-UG,UJ,UQ,UZ		
	991 555 081 07 OH7	Graphite Blue	-HZ,BG,TG		
	991 555 081 07 CH6	saddle brown	-SZ		
	991 555 081 07 OG6	Bordeaux red	-LZ		
	991 555 081 07 R75	Espresso	-NE,BY		
2	991 555 785 00	Cover		2	PR:479
		Trim rear panel			
	991 555 785 00 1E0	Black			
3	999 507 130 01	U-clip		5	
		1,2 - 1,7			
4	991 555 083 00	Cover	center	1	
	991 555 083 00 A10	Black			
	991 555 083 00 R17	brown			
	991 555 083 00 L02	red			
	991 555 083 00 G38	blue			
5	999 073 062 02	panel screw		2	
		4,8 X 19			
6	991 555 341 00	Flap	left	1	
		Cover			
	991 555 341 00 A10	Black			
	991 555 341 00 R17	brown			
	991 555 341 00 L02	red			
	991 555 341 00 G38	blue			
(6)	991 555 342 00	Flap	right	1	
		Cover			
	991 555 342 00 A10	Black			
	991 555 342 00 R17	brown			
	991 555 342 00 L02	red			
	991 555 342 00 G38	blue			
7	991 555 263 00	Flap	left	1	
		c-pillar			
	991 555 263 00 A10	Black			
	991 555 263 00 R17	brown			
	991 555 263 00 L02	red			
	991 555 263 00 G38	blue			
(7)	991 555 264 00	Flap	right	1	
		c-pillar			
	991 555 264 00 A10	Black			
	991 555 264 00 R17	brown			
	991 555 264 00 L02	red			
	991 555 264 00 G38	blue			
8	999 507 533 02	Clamp		7	
9	991 551 035 07	Trim		1	
		Carpet tray Convertible top			

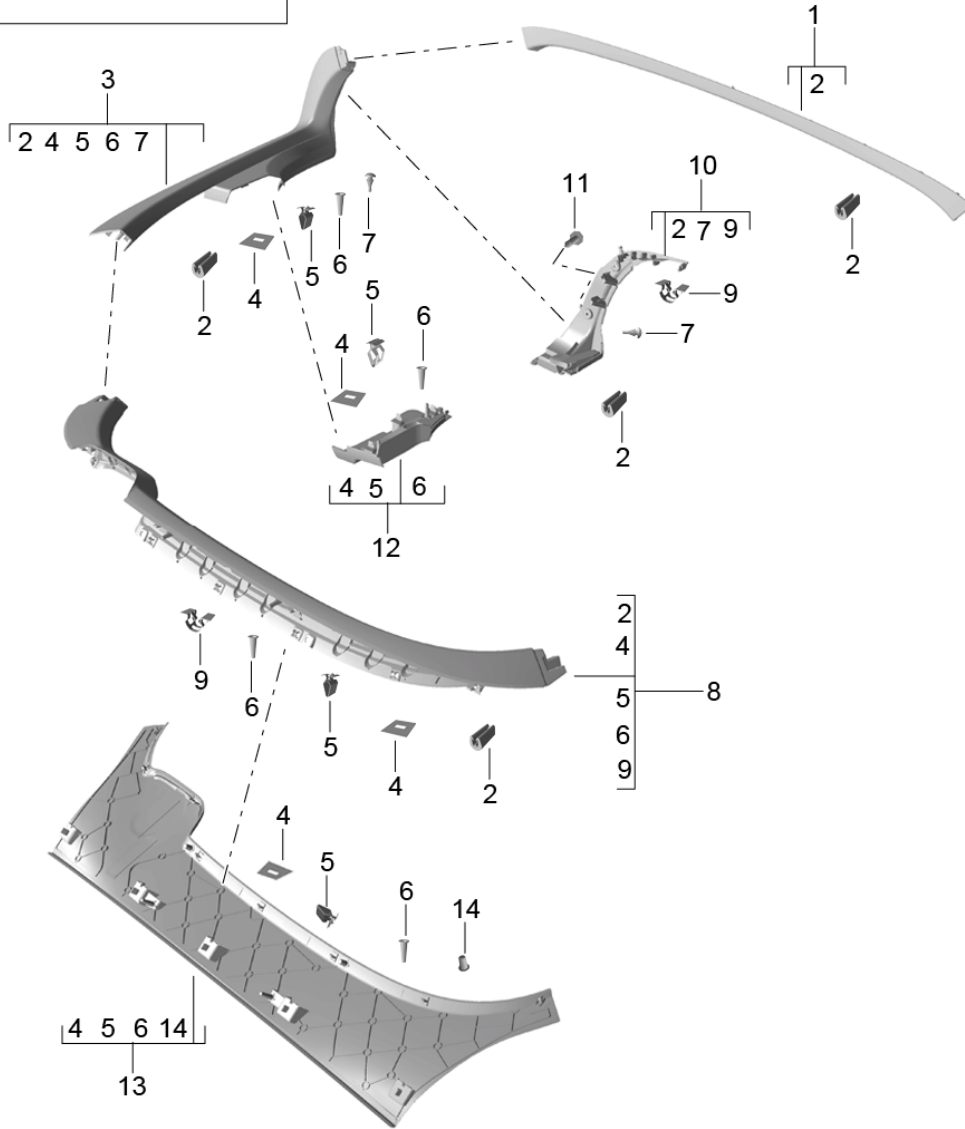
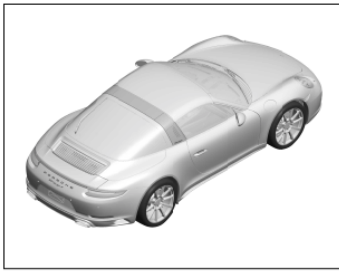
Model: 991-16

Model life 2017>>

Pos	Part Number	Description	Remark	Qty	Model
10	991 551 035 07 A75 991 561 663 00	Black shelf Convertible top		2	

Model: 991-16

Model life 2017>>



Model: 991-16

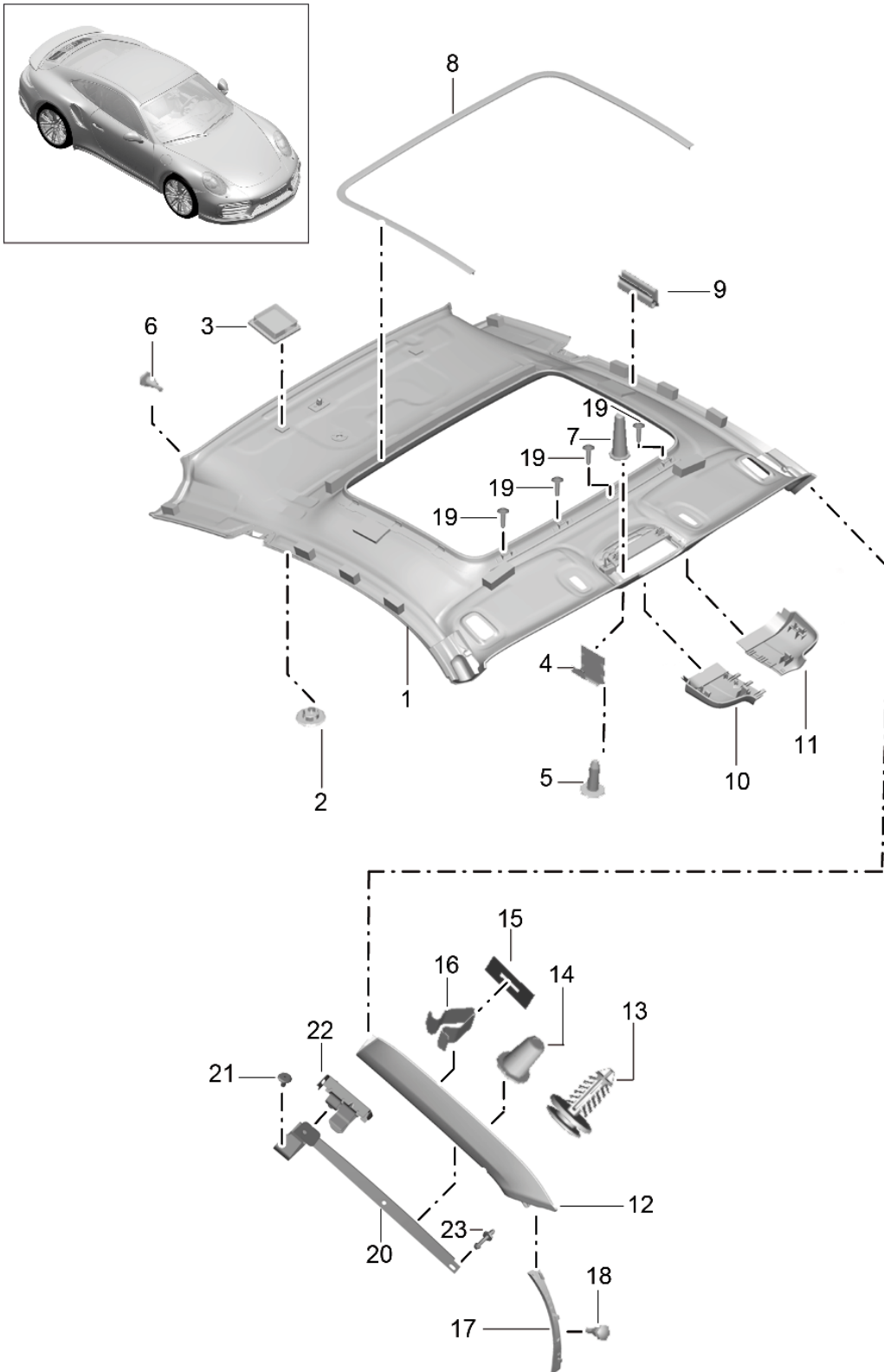
Model life 2017>>

Pos	Part Number	Description	Remark	Qty	Model
		Linings convertible top stowage box Cover			TARGA
1	991 555 079 01	Trim	center front	1	
	991 555 079 01 5Q0	Black			
2	999 911 492 40	Tread		X	
3	991 555 077 02	Trim	left	1	
	991 555 077 02 5Q0	Black			
(3)	991 555 078 02	Trim	right	1	
	991 555 078 02 5Q0	Black			
4	999 209 084 40	Distance piece		X	
5	8X0 867 276 A	Clip		X	
6	996 555 857 00	Grommet		X	
7	999 703 041 40	Rubber buffer		2	
8	991 555 075 04	Trim	rear center	1	PR:426
	991 555 075 04 5Q0	Black			
(8)	991 555 075 05	Trim	rear center	1	PR:425
	991 555 075 05 5Q0	Black			
9	999 507 533 02	Clamp		11	
10	991 555 179 02	Trim	left side front	1	
	991 555 179 02 5Q0	Black			
(10)	991 555 180 02	Trim	right side front	1	
	991 555 180 02 5Q0	Black			
11	999 073 226 09	panel screw 4,2 X 16		4	
12	991 555 177 03	Trim	left side front	1	
	991 555 177 03 5Q0	Black			
(12)	991 555 178 03	Trim	right side front	1	
	991 555 178 03 5Q0	Black			
13	991 555 175 04	Trim	rear lower	1	PR:426
	991 555 175 04 5Q0	Black			
(13)	991 555 175 05	Trim	rear lower	1	PR:425
	991 555 175 05 5Q0	Black			
14	997 555 857 00	Grommet		2	
		Short			
15	3D0 867 276 A	Clip		3	



Model: 991-16

Model life 2017>>



Model: 991-16 Model life 2017>>

Pos	Part Number	Description	Remark	Qty	Model
1	991 555 091 20	roof trim A-pillar roof trim Alcantara		1	COUPE PR:594,652, -631,-632, -852,-553
		without:			
		Sunroof			
		D >> - MJ 2017			
	991 555 091 20 2W0	Black			
	991 555 091 20 OU5	agate grey			
	991 555 091 20 9U1	Luxor beige			
	991 555 091 20 OH7	Graphite Blue			
	991 555 091 20 9U7	Espresso			
(1)	991 555 091 22	roof trim Alcantara		1	PR:594,651, 653,-631, -632,-852, -553
		with:			
		Sunroof			
		D >> - MJ 2017			
	991 555 091 22 2W0	Black			
	991 555 091 22 OU5	agate grey			
	991 555 091 22 9U1	Luxor beige			
	991 555 091 22 OH7	Graphite Blue			
	991 555 091 22 9U7	Espresso			
(1)	991 555 091 16	roof trim Alcantara		1	PR:594,631, 632,652,852, -553
		without:			
		Sunroof			
		D >> - MJ 2017			
	991 555 091 16 2W0	Black			
	991 555 091 16 OU5	agate grey			
	991 555 091 16 9U1	Luxor beige			
	991 555 091 16 OH7	Graphite Blue			
	991 555 091 16 9U7	Espresso			
(1)	991 555 091 18	roof trim Alcantara		1	PR:594,631, 632,651,653, 852,-553
		with:			
		Sunroof			
		D >> - MJ 2017			
	991 555 091 18 2W0	Black			
	991 555 091 18 OU5	agate grey			
	991 555 091 18 9U1	Luxor beige			
	991 555 091 18 OH7	Graphite Blue			
	991 555 091 18 9U7	Espresso			
(1)	9P1 867 501	roof trim Alcantara		1	PR:594,652, -631,-632, -852
		without:			
		Sunroof			
		D - MJ 2018>>			
	9P1 867 501 2W0	Black	-AZ, SZ, LZ, BT, BM, TD, 99		
	9P1 867 501 OU5	agate grey	-FZ		
	9P1 867 501 OH7	agate grey	-HZ, BG, TG		
	9P1 867 501 9U7	Espresso	-NE, BY		
(1)	9P1 867 501 A	roof trim Alcantara		1	PR:594,651, 653,-631, -632,-852
		without:			
		Sunroof			
		D - MJ 2018>>			
	9P1 867 501 A 2W0	Black	-AZ, SZ, LZ, BT, BM, TD, 99, 60		
	9P1 867 501 A OU5	agate grey	-FZ		
	9P1 867 501 A OH7	Graphite Blue	-HZ, BG, TG		
	9P1 867 501 A 9U7	Espresso	-NE, BY		
(1)	9P1 867 501 B	roof trim		1	PR:594,652,

Model: 991-16 Model life 2017>>

Pos	Part Number	Description	Remark	Qty	Model
		Alcantara without: Sunroof D - MJ 2018>> Black			631,-632, -852
	9P1 867 501 B 2W0		-AZ,SZ,LZ,BT, BM,TD,99,60		
	9P1 867 501 B OU5	agate grey	-FZ		
	9P1 867 501 B OH7	Graphite Blue	-HZ,BG,TG		
	9P1 867 501 B 9U7	Espresso	-NE,BY		
(1)	9P1 867 501 C	roof trim Alcantara without: Sunroof D - MJ 2018>> Black		1	PR:594,651, 653,631, -632,-852
	9P1 867 501 C 2W0		-AZ,SZ,LZ,BT, BM,TD,99,60		
	9P1 867 501 C OU5	agate grey	-FZ		
	9P1 867 501 C OH7	Graphite Blue	-HZ,BG,TG		
	9P1 867 501 C 9U7	Espresso	-NE,BY		
2	991 555 791 00	Cover Emergency operation Sunroof		1	PR:651,653
	991 555 791 00 1E0	Black			
	991 555 791 00 4H0	Luxor beige			
	991 555 791 00 OP1	agate grey			
	991 555 791 00 7N0	Espresso			
	991 555 791 00 OH7	Graphite Blue			
3	7PP 867 300	Clip		2	
4	958 731 633 00	Clamp		2	
5	999 073 339 09	panel screw ST 4,2 X 13		2	
6	999 703 041 40	Rubber buffer		4	
7	996 555 857 00	Grommet		1	
8	991 555 591 01	Cover frame		1	PR:651,653
9	999 651 415 01	Clip Cover frame		11	PR:651,653
10	991 555 525 00	Cover GPS-ANTENNE	left	1	PR:-631, -632,-852
	991 555 525 00 1E0	Black			
(10)	991 555 525 02	Cover Aerial	left	1	PR:631,632, 852
	991 555 525 02 1E0	Black			
11	991 555 526 00	Cover GPS-ANTENNE	right	1	PR:-631, -632,-852
	991 555 526 00 1E0	Black			
11	991 555 526 02	Cover Aerial	right	1	PR:631,632, 852
	991 555 526 02 1E0	Black			
12	991 555 181 09	A-pillar trim slush technology D >> - MJ 2017	left	1	PR:-981
	991 555 181 09 DK4	Black			
	991 555 181 09 OS2	agate grey			
	991 555 181 09 DM5	Luxor beige			
12	9P1 867 233 B	A-pillar trim slush technology D - MJ 2018>> Black	left	1	PR:-981
	9P1 867 233 B DK4		-GF,GG,AG,AQ, WS,WI,WL,WG		
	9P1 867 233 B OS2	agate grey	-FG,AJ,FJ,FQ		
(12)	991 555 182 09	A-pillar trim slush technology D >> - MJ 2017	right	1	PR:-981

Model: 991-16 Model life 2017>>

Pos	Part Number	Description	Remark	Qty	Model
12	991 555 182 09 DK4	Black			
	991 555 182 09 OS2	agate grey			
	991 555 182 09 DM5	Luxor beige			
	9P1 867 234 B	A-pillar trim slush technology D - MJ 2018>>	left	1	PR:-981
	9P1 867 234 B DK4	Black	-GF,GG,AG,AQ, WS,WI,WL,WG -FG,AJ,FJ,FQ		
(12)	9P1 867 234 B OS2	agate grey			
	991 555 181 08	A-pillar trim (Alcantara) D >> - MJ 2017	left	1	PR:981
	991 555 181 08 2W0	Black			
	991 555 181 08 OH7	Graphite Blue			
	991 555 181 08 9U1	Luxor beige			
	991 555 181 08 OU5	agate grey			
	991 555 181 08 9U7	Espresso			
(12)	9P1 867 233 C	A-pillar trim (Alcantara) D - MJ 2018>>	left	1	PR:981
	9P1 867 233 C 2W0	Black	-GQ,GR,GW,GY, AZ,SZ,LZ,YS, YI,YL,YG,BT, BM,TD -HZ,BG,TG		
	9P1 867 233 C OH7	Graphite Blue	-HZ,BG,TG		
	9P1 867 233 C OU5	agate grey	-FZ		
	9P1 867 233 C 9U7	Espresso	-NE,BY		
(12)	991 555 182 08	A-pillar trim (Alcantara) D >> - MJ 2017	right	1	PR:981
	991 555 182 08 2W0	Black			
	991 555 182 08 OH7	Graphite Blue			
	991 555 182 08 9U1	Luxor beige			
	991 555 182 08 OU5	agate grey			
	991 555 182 08 9U7	Espresso			
(12)	9P1 867 234 C	A-pillar trim (Alcantara) D - MJ 2018>>	right	1	PR:981
	9P1 867 234 C 2W0	Black	-GQ,GR,GW,GY, AZ,SZ,LZ,YS, YI,YL,YG,BT, BM,TD -HZ,BG,TG		
	9P1 867 234 C OH7	Graphite Blue	-HZ,BG,TG		
	9P1 867 234 C OU5	agate grey	-FZ		
	9P1 867 234 C 9U7	Espresso	-NE,BY		
13	999 507 195 40	Cup expander spring 10,7 X 26,4		2	
14	997 555 857 00	Grommet		2	
15	999 209 084 40	Distance piece 25 X 20 X 0,5		4	
16	999 507 839 01	Clip 3,5		4	
17	991 555 185 01	A-pillar trim	left lower	1	
	991 555 185 01 1E0	Black			
	991 555 185 01 4H0	Luxor beige			
	991 555 185 01 OP1	agate grey			
	991 555 185 01 7N0	Espresso			
	991 555 185 01 OG6	Bordeaux red			
	991 555 185 01 OH7	Graphite Blue			
	991 555 185 01 OM8	saddle brown			
(17)	991 555 186 01	A-pillar trim	right lower	1	

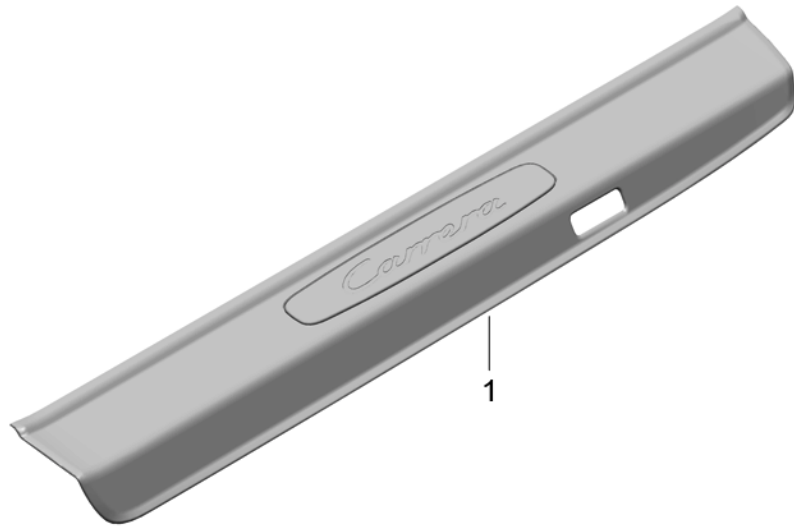
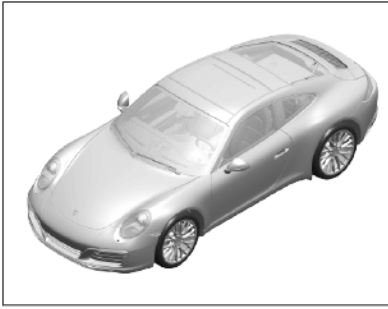
Model: 991-16

Model life 2017&gt;&gt;

Pos	Part Number	Description	Remark	Qty	Model
	991 555 186 01 1E0	Black			
	991 555 186 01 4H0	Luxor beige			
	991 555 186 01 OP1	agate grey			
	991 555 186 01 7N0	Espresso			
	991 555 186 01 OG6	Bordeaux red			
	991 555 186 01 OH7	Graphite Blue			
	991 555 186 01 OM8	saddle brown			
18	999 703 041 40	Rubber buffer 4 X 6 X 9,3		2	
19	999 073 142 09	panel screw 4,2 X 19 Mount roof trim Sunroof		4	
20	9P1 880 671 A	deformation element A-pillar D - MJ 2018>>	left	1	
(20)	9P1 880 672 A	deformation element A-pillar D - MJ 2018>>	right	1	
21	N 900 978 02	Pop rivet D - MJ 2018>>		4	
22	9A7 867 276 00	Clip D - MJ 2018>>		1	
23	9A7 007 506 00	Screw bolt D - MJ 2018>>		1	
24	991 555 901 00	Plastic foam strip repair set		X	
25	999 073 322 04	fillister hd. bolt M6X20		X	
26	9P1 867 729 A	Bracket for moulded headliner	left front	1	
(26)	9P1 867 730 A	Bracket for moulded headliner	right front	1	
27	9P1 867 737 A	Bracket for moulded headliner	left rear	1	
(27)	9P1 867 738 A	Bracket for moulded headliner	right rear	1	
28	N 900 978 02	Pop rivet	4X8	1	
29	9A7 867 276	Clip		1	

Model: 991-16

Model life 2017>>



Model: 991-16 Model life 2017>>

Pos	Part Number	Description	Remark	Qty	Model
-		Sill trim strip Sill Trim Sill			
1	991 555 303 20	see illustration: Sill trim strip Sill inscription	807-015 left	1	Carrera PR:008,-XXB, -XXD,-X69, -X70
(1)	991 555 303 20 1E0 991 555 304 20	Black Sill trim strip Sill inscription	right	1	Carrera PR:008,-XXB, -XXD,-X69, -X70
(1)	991 555 304 20 1E0 991 555 303 21	Black Sill trim strip Sill inscription	left	1	Carrera S PR:009,-XXB, -XXD,-X69, -X70
(1)	991 555 303 21 1E0 991 555 304 21	Black Sill trim strip Sill inscription	right	1	Carrera S PR:009,-XXB, -XXD,-X69, -X70
1	991 555 304 21 1E0 991 555 303 22	Black Sill trim strip Sill inscription	left	1	Carrera 4 PR:008,-XXB, -XXD,-X69, -X70
(1)	991 555 303 22 1E0 991 555 304 22	Black Sill trim strip Sill inscription	right	1	Carrera 4 PR:008,-XXB, -XXD,-X69, -X70
1	991 555 304 22 1E0 991 555 303 23	Black Sill trim strip Sill inscription	left	1	Carrera 4S PR:009,-XXB, -XXD,-X69, -X70,-011
(1)	991 555 303 23 1E0 991 555 304 23	Black Sill trim strip Sill inscription	right	1	Carrera 4s PR:009,-XXB, -XXD,-X69, -X70,-011
1	991 555 304 23 1E0 991 555 303 30	Black Sill trim strip Sill	left	1	

Model: 991-16 Model life 2017>>

Pos	Part Number	Description	Remark	Qty	Model
		inscription			Targa 4 PR:008,-XXB, -XXD,-X69, -X70
(1)	991 555 303 30 1E0 991 555 304 30	Black Sill trim strip Sill inscription	right	1	
					Targa 4 PR:008,-XXB, -XXD,-X69, -X70
1	991 555 304 30 1E0 991 555 303 31	Black Sill trim strip Sill inscription	left	1	
					Targa 4S PR:009,-XXB, -XXD,-X69, -X70
(1)	991 555 303 31 1E0 991 555 304 31	Black Sill trim strip Sill inscription	right	1	
					Targa 4S PR:009,-XXB, -XXD,-X69, -X70
(1)	991 555 304 31 1E0 991 555 981 16	Black Sill trim strip Sill inscription	left	1	PR:008,X70
					Carrera
(1)	991 555 981 16 1E0 991 555 982 16	Black Sill trim strip Sill inscription	right	1	PR:008,X70
					Carrera
(1)	991 555 982 16 1E0 991 555 981 70	Black Sill trim strip Sill inscription	left	1	PR:008,XXB
					Carrera
(1)	991 555 981 70 1E0 991 555 982 70	Black Sill trim strip Sill inscription	right	1	PR:008,XXB
					Carrera
(1)	991 555 982 70 1E0 991 555 981 18	Black Sill trim strip Sill inscription	left	1	PR:008,X69
					Carrera
(1)	991 555 981 18 1E0 991 555 982 18	Black Sill trim strip Sill inscription	right	1	PR:008,X69
					Carrera
(1)	991 555 982 18 1E0 991 555 981 71	Black Sill trim strip Sill inscription	left	1	PR:008,XXD
					Carrera
(1)	991 555 981 71 1E0 991 555 982 71	Black Sill trim strip Sill inscription	right	1	PR:008,XXD
					Carrera
(1)	991 555 982 71 1E0 991 555 981 20	Black Sill trim strip Sill inscription	left	1	PR:009,X70
					Carrera S
(1)	991 555 981 20 1E0 991 555 982 20	Black Sill trim strip	right	1	PR:009,X70



Model: 991-16

Model life 2017>>

Pos	Part Number	Description	Remark	Qty	Model
		Sill inscription			Carrera S
(1)	991 555 982 20 1E0	Black			
	991 555 981 72	Sill trim strip	left	1	PR:009,XXB
		Sill inscription			Carrera S
(1)	991 555 981 72 1E0	Black			
	991 555 982 72	Sill trim strip	right	1	PR:009,XXB
		Sill inscription			Carrera S
(1)	991 555 982 72 1E0	Black			
	991 555 981 22	Sill trim strip	left	1	PR:009,X69
		Sill inscription			Carrera S
(1)	991 555 981 22 1E0	Black			
	991 555 982 22	Sill trim strip	right	1	PR:009,X69
		Sill inscription			Carrera S
(1)	991 555 982 22 1E0	Black			
	991 555 981 73	Sill trim strip	left	1	PR:009,XXD
		Sill inscription			Carrera S
(1)	991 555 981 73 1E0	Black			
	991 555 982 73	Sill trim strip	right	1	PR:009,XXD
		Sill inscription			Carrera S
(1)	991 555 982 73 1E0	Black			
	991 555 981 24	Sill trim strip	left	1	PR:008,X70
		Sill inscription			Carrera 4
(1)	991 555 981 24 1E0	Black			
	991 555 982 24	Sill trim strip	right	1	PR:008,X70
		Sill inscription			Carrera 4
(1)	991 555 982 24 1E0	Black			
	991 555 981 76	Sill trim strip	left	1	PR:008,XXB
		Sill inscription			Carrera 4
(1)	991 555 981 76 1E0	stainless steel			
	991 555 982 76	Sill trim strip	right	1	PR:008,XXB
		Sill inscription			Carrera 4
(1)	991 555 982 76 1E0	stainless steel			
	991 555 981 26	Sill trim strip	left	1	PR:008,X69
		Sill inscription			Carrera 4
(1)	991 555 981 26 1E0	Black			
	991 555 982 26	Sill trim strip	right	1	PR:008,X69
		Sill inscription			Carrera 4
(1)	991 555 982 26 1E0	Black			
	991 555 981 77	Sill trim strip	left	1	PR:008,XXD
		Sill inscription			Carrera 4
(1)	991 555 981 77 1E0	Carbon			
	991 555 982 77	Sill trim strip	right	1	PR:008,XXD
		Sill inscription			Carrera 4
(1)	991 555 982 77 1E0	Carbon			
	991 555 981 28	Sill trim strip	left	1	
		Sill inscription			Carrera 4S PR:009,X70,

Model: 991-16

Model life 2017>>

Pos	Part Number	Description	Remark	Qty	Model
(1)	991 555 981 28 1E0 991 555 982 28	Black Sill trim strip Sill inscription	right	1	-011  Carrera 4S PR:009,X70, -011
(1)	991 555 982 28 1E0 991 555 981 78	Black Sill trim strip Sill inscription	left	1	Carrera 4S PR:009,XXB, -011
(1)	991 555 981 78 1E0 991 555 982 78	stainless steel Sill trim strip Sill inscription	right	1	Carrera 4S PR:009,XXB, -011
(1)	991 555 982 78 1E0 991 555 981 30	stainless steel Sill trim strip Sill inscription	left	1	Carrera 4S PR:009,X69, -011
(1)	991 555 981 30 1E0 991 555 982 30	Black Sill trim strip Sill inscription	right	1	Carrera 4S PR:009,X69, -011
(1)	991 555 982 30 1E0 991 555 981 79	Black Sill trim strip Sill inscription	left	1	Carrera 4S PR:009,XXD, -011
(1)	991 555 981 79 1E0 991 555 982 79	Carbon Sill trim strip Sill inscription	right	1	Carrera 4S PR:009,XXD, -011
(1)	991 555 982 79 1E0 991 555 981 62	Carbon Sill trim strip Sill inscription	left	1	PR:008,X70  Targa 4
(1)	991 555 981 62 1E0 991 555 982 62	Black Sill trim strip Sill inscription	right	1	PR:008,X70  Targa 4
(1)	991 555 982 62 1E0 991 555 981 82	Black Sill trim strip Sill inscription	left	1	PR:008,XXB  Targa 4
(1)	991 555 981 82 1E0 991 555 982 82	stainless steel Sill trim strip Sill inscription	right	1	PR:008,XXB  Targa 4
(1)	991 555 982 82 1E0 991 555 981 64	stainless steel Sill trim strip Sill inscription	left	1	PR:008,X69  Targa 4

Model: 991-16 Model life 2017>>

Pos	Part Number	Description	Remark	Qty	Model
(1)	991 555 981 64 1E0 991 555 982 64	Black Sill trim strip Sill inscription	right	1	PR:008,X69  Targa 4
(1)	991 555 982 64 1E0 991 555 981 83	Black Sill trim strip Sill inscription	left	1	PR:008,XXD  Targa 4
(1)	991 555 981 83 1E0 991 555 982 83	Carbon Sill trim strip Sill inscription	right	1	PR:008,XXD  Targa 4
(1)	991 555 982 83 1E0 991 555 981 66	Carbon Sill trim strip Sill inscription	left	1	  Targa 4S PR:009,X70, -011
(1)	991 555 981 66 1E0 991 555 982 66	Black Sill trim strip Sill inscription	right	1	  Targa 4S PR:009,X70, -011
(1)	991 555 982 66 1E0 991 555 981 84	Black Sill trim strip Sill inscription	left	1	  Targa 4S PR:009,XXB, -011
(1)	991 555 981 84 1E0 991 555 982 84	stainless steel Sill trim strip Sill inscription	right	1	  Targa 4S PR:009,XXB, -011
(1)	991 555 982 84 1E0 991 555 981 68	stainless steel Sill trim strip Sill inscription	left	1	  Targa 4S PR:009,X69, -011
(1)	991 555 981 68 1E0 991 555 982 68	Black Sill trim strip Sill inscription	right	1	  Targa 4S PR:009,X69, -011
(1)	991 555 982 68 1E0 991 555 981 85	Black Sill trim strip Sill inscription	left	1	  Targa 4S PR:009,XXD, -011
(1)	991 555 981 85 1E0 991 555 982 85	Carbon Sill trim strip Sill inscription	right	1	  Targa 4S PR:009,XXD, -011
(1)	991 555 982 85 1E0 991 555 303 39	Carbon Sill trim strip Sill	left	1	PR:008,037

Model: 991-16 Model life 2017>>

Pos	Part Number	Description	Remark	Qty	Model
(1)	991 555 303 39 1E0 991 555 304 39	Black Sill trim strip Sill	right	1	PR:008,037
(1)	991 555 304 39 1E0 991 555 303 32	Black Sill trim strip Sill inscription	left	1	Carerra GTS PR:011,-XXB, -XXD,-X69, -X70
(1)	991 555 303 32 1E0 991 555 304 32	Black Sill trim strip Sill inscription	right	1	Carerra GTS PR:011,-XXB, -XXD,-X69, -X70
(1)	991 555 304 32 1E0 991 555 303 35	Black Sill trim strip Sill inscription	left	1	Carerra4 GTS PR:011,-XXB, -XXD,-X69, -X70
(1)	991 555 303 35 1E0 991 555 304 35	Black Sill trim strip Sill inscription	right	1	Carerra4 GTS PR:011,-XXB, -XXD,-X69, -X70
(1)	991 555 304 35 1E0 991 555 303 34	Black Sill trim strip Sill inscription	left	1	Targa4 GTS PR:011,-XXB, -XXD,-X69, -X70
(1)	991 555 303 34 1E0 991 555 304 34	Black Sill trim strip Sill inscription	right	1	Targa4 GTS PR:011,-XXB, -XXD,-X69, -X70
(1)	991 555 304 34 1E0 991 555 981 54	Black Sill trim strip Sill inscription	left	1	PR:011,X70  Carerra GTS
(1)	991 555 981 54 1E0 991 555 982 54	Black Sill trim strip Sill inscription	right	1	PR:011,X70  Carerra GTS
(1)	991 555 982 54 1E0 991 555 981 56	Black Sill trim strip Sill inscription	left	1	PR:011,X69  Carerra GTS
(1)	991 555 981 56 1E0 991 555 982 56	Black Sill trim strip Sill inscription	right	1	PR:011,X69  Carerra GTS
(1)	991 555 982 56 1E0 991 555 981 58	Black Sill trim strip	left	1	PR:011,X70

Model: 991-16

Model life 2017>>

Pos	Part Number	Description	Remark	Qty	Model
		Sill inscription			Carerra4 GTS
(1)	991 555 981 58 1E0	Black			
	991 555 982 58	Sill trim strip	right	1	PR:011,X70
		Sill inscription			Carerra4 GTS
	991 555 982 58 1E0	Black			
(1)	991 555 981 60	Sill trim strip	left	1	PR:011,X69
		Sill inscription			Carerra4 GTS
	991 555 981 60 1E0	Black			
(1)	991 555 982 60	Sill trim strip	right	1	PR:011,X69
		Sill inscription			Carerra4 GTS
	991 555 982 60 1E0	Black			
(1)	991 555 981 94	Sill trim strip	left	1	PR:011,X70
		Sill inscription			Targa 4 GTS
	991 555 981 94 1E0	Black			
(1)	991 555 982 94	Sill trim strip	right	1	PR:011,X70
		Sill inscription			Targa 4 GTS
	991 555 982 94 1E0	Black			
(1)	991 555 981 96	Sill trim strip	left	1	PR:011,X69
		Sill inscription			Targa 4 GTS
	991 555 981 96 1E0	Black			
(1)	991 555 982 96	Sill trim strip	right	1	PR:011,X69
		Sill inscription			Targa 4 GTS
	991 555 982 96 1E0	Black			
(1)	991 555 981 74	Trim	left	1	PR:011,XXB
		Sill inscription			Carrera GTS
	991 555 981 74 1E0	Black			
(1)	991 555 982 74	Trim	right	1	PR:011,XXB
		Sill inscription			Carerra GTS
	991 555 982 74 1E0	Black			
(1)	991 555 981 75	Trim	left	1	PR:011,XXD
		Sill inscription			Carerra GTS
	991 555 981 75 1E0	Black			
(1)	991 555 982 75	Trim	right	1	PR:011,XXD
		Sill inscription			Carrera GTS
	991 555 982 75 1E0	Black			
(1)	991 555 981 80	Sill trim strip	left	1	PR:011,XXB
		Sill inscription			Carrera4 GTS
	991 555 981 80 1E0	Black			
(1)	991 555 982 80	Sill trim strip	right	1	PR:011,XXB
		Sill inscription			Carerra4 GTS
	991 555 982 80 1E0	Black			
(1)	991 555 981 81	Sill trim strip	left	1	PR:011,XXD
		Sill inscription			Carerra4 GTS
	991 555 981 81 1E0	Black			
(1)	991 555 982 81	Sill trim strip	right	1	PR:011,XXD
		Sill inscription			Carrera4 GTS
	991 555 982 81 1E0	Black			

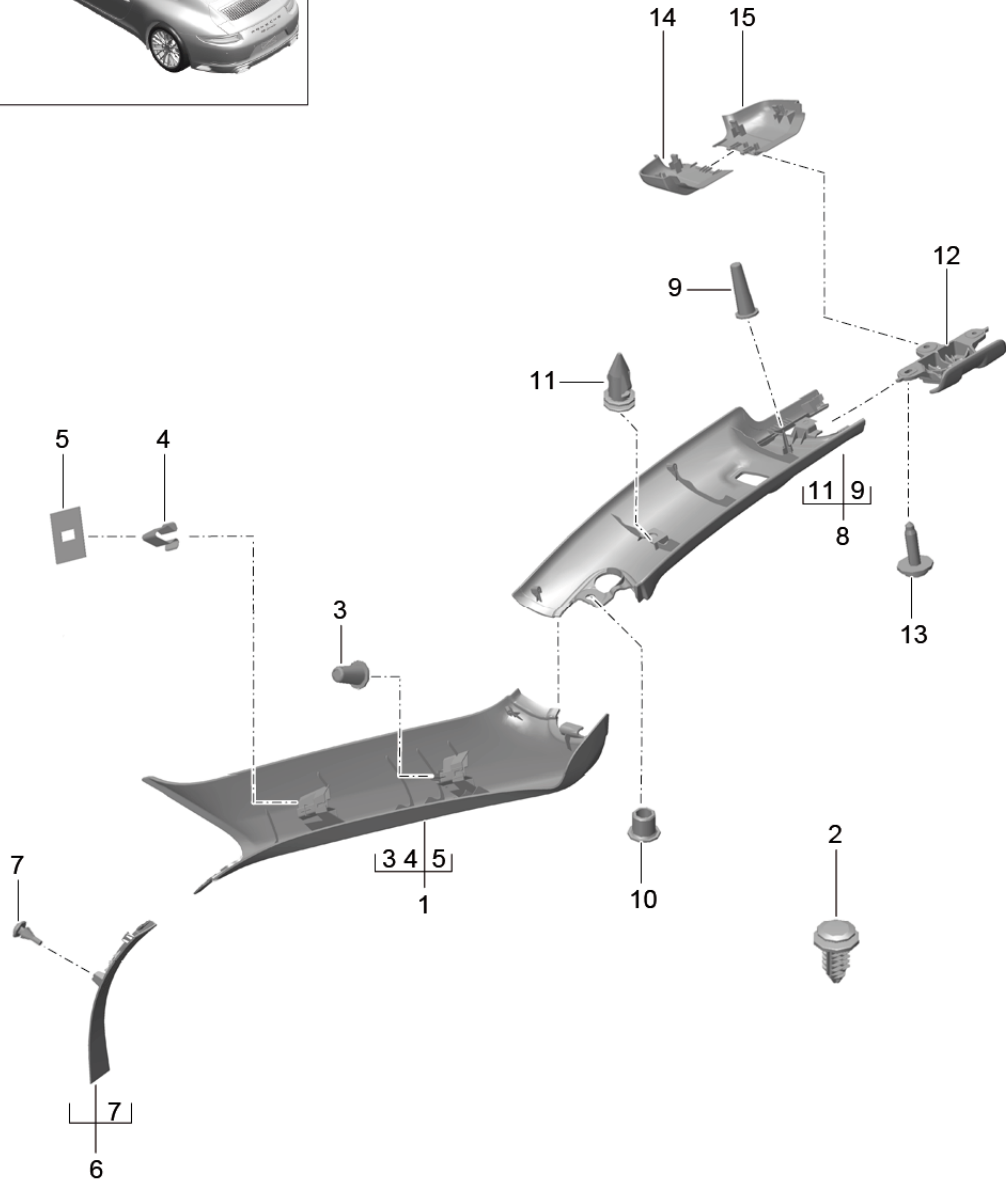
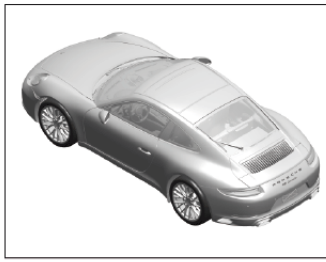
Model: 991-16

Model life 2017>>

Pos	Part Number	Description	Remark	Qty	Model
(1)	991 555 981 95	Trim Sill inscription	left	1	PR:011,XXB Targa 4 GTS
	991 555 981 95 1E0	Black			
(1)	991 555 982 95	Trim Sill inscription	right	1	PR:011,XXB Targa 4 GTS
	991 555 982 95 1E0	Black			
(1)	991 555 981 97	Trim Sill inscription	left	1	PR:011,XXD Targa 4 GTS
	991 555 981 97 1E0	Black			
(1)	991 555 982 97	Trim Sill inscription	right	1	PR:011,XXD Targa 4 GTS
	991 555 982 97 1E0	Black			

Model: 991-16

Model life 2017>>



Model: 991-16 Model life 2017>>

Pos	Part Number	Description	Remark	Qty	Model
		A-pillar windshield frame			CABRIO
1	991 555 181 06	A-pillar trim slush technology	left	1	PR:-981
	991 555 181 06 DK4	Black	-GF,GG,AG,AJ,AQ		
	991 555 181 06 OS2	agate grey	-FG,FJ,FQ		
	991 555 181 06 DM5	Luxor beige	-UG,UJ,UQ		
(1)	991 555 182 06	A-pillar trim slush technology	right	1	PR:-981
	991 555 182 06 DK4	Black	-GF,GG,AG,AJ,AQ		
	991 555 182 06 OS2	agate grey	-FG,FJ,FQ		
	991 555 182 06 DM5	Luxor beige	-UG,UJ,UQ		
(1)	991 555 181 03	A-pillar trim (leather)	left	1	PR:981
	991 555 181 03 A11	Black	-AZ,GW,GY,GQ,GR,BR,BT,BM,TD		
	991 555 181 03 7J0	Luxor beige	-UZ		
	991 555 181 03 OH7	Graphite Blue	-HZ,BG,TG		
	991 555 181 03 OA1	agate grey	-FZ		
	991 555 181 03 6J0	Espresso	-NE,BY		
	991 555 181 03 OG6	Bordeaux red	-LZ		
	991 555 181 03 OK6	saddle brown	-SZ		
(1)	991 555 182 03	A-pillar trim (leather)	right	1	PR:981
	991 555 182 03 A11	Black	-AZ,GW,GY,GQ,GR,BR,BT,BM,TD		
	991 555 182 03 7J0	Luxor beige	-UZ		
	991 555 182 03 OH7	Graphite Blue	-HZ,BG,TG		
	991 555 182 03 OA1	agate grey	-FZ		
	991 555 182 03 6J0	Espresso	-NE,BY		
	991 555 182 03 OG6	Bordeaux red	-LZ		
	991 555 182 03 OK6	saddle brown	-SZ		
2	999 507 195 40	Cup expander spring 10,7 X 26,4		2	
3	997 555 857 00	Grommet		2	
4	999 507 839 01	Centring journal		4	
4	999 507 839 01	Clip 3,5		4	
5	999 209 084 40	Distance piece 25 X 20 X 0,5		4	
6	991 555 185 01	A-pillar trim	left lower	1	
	991 555 185 01 1E0	Black	-GF,GG,GW,GY,GQ,GR,AG,AJ,AQ,AZ,BR,BL,BA,BT,BM,TD		
	991 555 185 01 4H0	Luxor beige	-UZ,UJ,UQ		
	991 555 185 01 OH7	Graphite Blue	-HZ,BG,TG		
	991 555 185 01 OP1	agate grey	-FG,FJ,FQ		
	991 555 185 01 7N0	Espresso	-NE		
	991 555 185 01 OG6	Bordeaux red	-LZ		
	991 555 185 01 OM8	saddle brown	-SZ		
(6)	991 555 186 01	A-pillar trim	right lower	1	
	991 555 186 01 1E0	Black	-GF,GG,GW,GY,GQ,GR,AG,AJ,AQ,AZ,BR,BL,BA,BT,BM,TD		
	991 555 186 01 4H0	Luxor beige	-UZ,UJ,UQ		



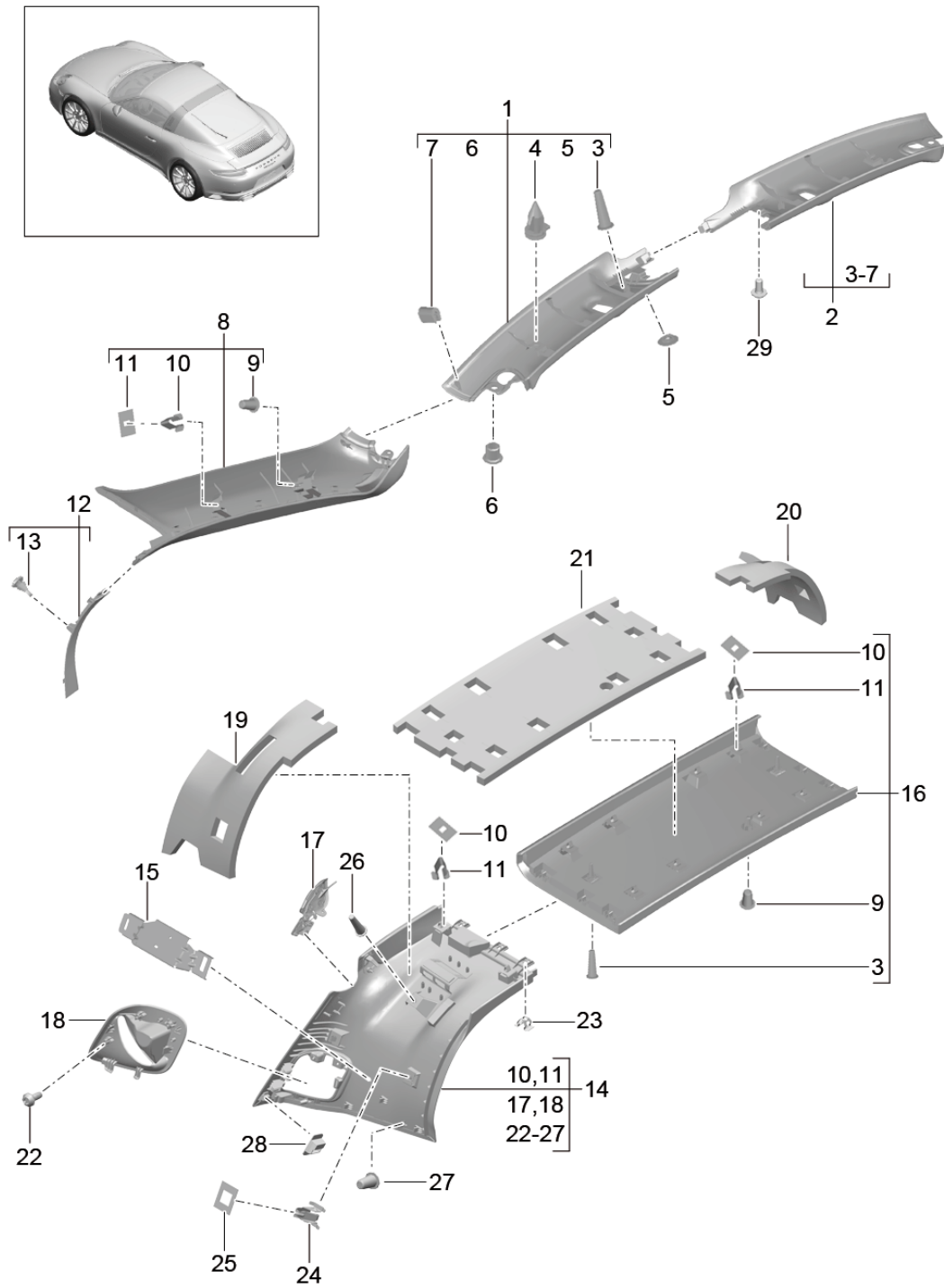
Model: 991-16

Model life 2017&gt;&gt;

Pos	Part Number	Description	Remark	Qty	Model
	991 555 186 01 OH7	Graphite Blue	-HZ,BG,TG		
	991 555 186 01 OP1	agate grey	-FG,FJ,FQ		
	991 555 186 01 7N0	Espresso	-NE		
	991 555 186 01 OG6	Bordeaux red	-LZ		
	991 555 186 01 OM8	saddle brown	-SZ		
7	999 703 041 40	Rubber buffer 4 X 6 X 9,3		2	
8	991 555 059 04	Trim	left	1	PR:-981
	991 555 059 04 DK4	Windscreen frame part Black	-GF,GG,AG,AJ, AQ		
	991 555 059 04 OS2	agate grey	-FG,FJ,FQ		
	991 555 059 04 DM5	Luxor beige	-UG,UJ,UQ		
(8)	991 555 060 04	Trim	right	1	PR:-981
	991 555 060 04 DK4	Windscreen frame part Black	-GF,GG,AG,AJ, AQ		
	991 555 060 04 OS2	agate grey	-FG,FJ,FQ		
	991 555 060 04 DM5	Luxor beige	-UG,UJ,UQ		
(8)	991 555 059 01	Trim	left	1	PR:981
	991 555 059 01 A11	Windscreen frame part Black	-GQ,GR,GW,GY, AZ,BT,BM,TD		
	991 555 059 01 7J0	Luxor beige	-UZ		
	991 555 059 01 OH7	Graphite Blue	-HZ,BG,TG		
	991 555 059 01 OA1	agate grey	-FZ		
	991 555 059 01 6J0	Espresso	-NE,BY		
	991 555 059 01 OK6	saddle brown	-SZ		
(8)	991 555 060 01	Trim	right	1	PR:981
	991 555 060 01 A11	Windscreen frame part Black	-GQ,GR,GW,GY, AZ,BT,BM,TD		
	991 555 060 01 7J0	Luxor beige	-UZ		
	991 555 060 01 OH7	Graphite Blue	-HZ,BG,TG		
	991 555 060 01 OA1	agate grey	-FZ		
	991 555 060 01 6J0	Espresso	-NE,BY		
	991 555 060 01 OK6	saddle brown	-SZ		
9	996 555 857 00	Grommet		2	
10	999 209 116 01	spacer sleeve 8,0 X 2,0		2	
11	999 591 143 40	Clip 12,0 X 2,0		2	
12	991 561 235 01	Support		1	
	991 561 235 01 5Q0	sealing bearing Black			
13	999 073 223 01	Bolt with washer M 6 X 25		3	
14	991 555 525 00	Cover	left	1	
	991 555 525 00 1E0	GPS-ANTENNE Black			
15	991 555 526 00	Cover	right	1	
	991 555 526 00 1E0	GPS-ANTENNE Black			

Model: 991-16

Model life 2017>>



Model: 991-16 Model life 2017>>

Pos	Part Number	Description	Remark	Qty	Model
		A-pillar B-pillar Cowl panel covering Rosette Belt	inner		Targa
1	991 555 059 09	Cowl panel covering	inner	1	
	991 555 059 09 DK4	Black	-GF,GG,AG		
	991 555 059 09 OS2	agate grey	-FG,FJ,FQ		
	991 555 059 09 DM5	Luxor beige	-UG,UJ,UQ		
2	991 555 060 09	Cowl panel covering	inner	1	
	991 555 060 09 DK4	Black	-GF,GG,AG		
	991 555 060 09 OS2	agate grey	-FG,FJ,FQ		
	991 555 060 09 DM5	Luxor beige	-UG,UJ,UQ		
(1)	991 555 059 10	Cowl panel covering	inner	1	PR:981
	991 555 059 10 A11	Black	-GQ,GR,GW,GY, AZ,BT,BM,TD		
	991 555 059 10 7J0	Luxor beige	-UZ		
	991 555 059 10 OA1	agate grey	-FZ		
	991 555 059 10 OH7	Graphite Blue	-HZ,BG,TG		
	991 555 059 10 OK6	saddle brown	-SZ		
	991 555 059 10 OG6	Bordeaux red	-LZ		
	991 555 059 10 6J0	Espresso	-NE,BY		
(2)	991 555 060 10	Cowl panel covering	inner	1	PR:981
	991 555 060 10 A11	Black	-GQ,GR,GW,GY, AZ,BT,BM,TD		
	991 555 060 10 7J0	Luxor beige	-UZ		
	991 555 060 10 OA1	agate grey	-FZ		
	991 555 060 10 OH7	Graphite Blue	-HZ,BG,TG		
	991 555 060 10 OK6	saddle brown	-SZ		
	991 555 060 10 OG6	Bordeaux red	-LZ		
	991 555 060 10 6J0	Espresso	-NE,BY		
(1)	991 555 059 11	Cowl panel covering	inner	1	PR:631,632, 852
	991 555 059 11 DK4	Black	-GF,GG,AG		
	991 555 059 11 OS2	agate grey	-FG,FJ,FQ		
	991 555 059 11 DM5	Luxor beige	-UG,UJ,UQ		
(2)	991 555 060 11	Cowl panel covering	inner	1	PR:631,632, 852
	991 555 060 11 DK4	Black	-GF,GG,AG		
	991 555 060 11 OS2	agate grey	-FG,FJ,FQ		
	991 555 060 11 DM5	Luxor beige	-UG,UJ,UQ		
(1)	991 555 059 12	Cowl panel covering	inner	1	PR:631,632, 852,981
	991 555 059 12 A11	Black	-GQ,GR,GW,GY, AZ,BT,BM,TD		
	991 555 059 12 7J0	Luxor beige	-UZ		
	991 555 059 12 OA1	Black/agate grey	-FZ		
	991 555 059 12 OH7	Black/graphite blue	-HZ,BG,TG		
	991 555 059 12 OK6	saddle brown	-SZ		
	991 555 059 12 OG6	Bordeaux red	-LZ		
	991 555 059 12 6J0	Black/espresso	-NE,BY		
(2)	991 555 060 12	Cowl panel covering	inner	1	PR:631,632, 852,981
	991 555 060 12 A11	Black	-GQ,GR,GW,GY, AZ,BT,BM,TD		
	991 555 060 12 7J0	Luxor beige	-UZ		
	991 555 060 12 OA1	Black/agate grey	-FZ		
	991 555 060 12 OH7	Black/graphite blue	-HZ,BG,TG		
	991 555 060 12 OK6	saddle brown	-SZ		
	991 555 060 12 OG6	Bordeaux red	-LZ		
	991 555 060 12 6J0	Black/espresso	-NE,BY		
3	996 555 857 00	Grommet A-pillar		X	

Model: 991-16 Model life 2017>>

Pos	Part Number	Description	Remark	Qty	Model
4	999 591 143 40	Trim Clip		1	
5	999 209 087 02	A-pillar Trim spacer sleeve		1	
6	999 209 116 01	A-pillar Trim spacer sleeve	Small	1	
7	999 911 443 40	A-pillar Trim Tread	Large	*	
8	991 555 181 06	A-pillar trim	left	1	
	991 555 181 06 DK4	Black	-GF,GG,AG		
	991 555 181 06 OS2	agate grey	-FG,FJ,FQ		
	991 555 181 06 DM5	Luxor beige	-UG,UJ,UQ		
(8)	991 555 182 06	A-pillar trim	right	1	
	991 555 182 06 DK4	Black	-GF,GG,AG		
	991 555 182 06 OS2	agate grey	-FG,FJ,FQ		
	991 555 182 06 DM5	Luxor beige	-UG,UJ,UQ		
(8)	991 555 181 03	A-pillar trim (leather)	left	1	PR:981
	991 555 181 03 A11	Black	-GQ,GR,GW,GY, AZ,BT,BM,TD		
	991 555 181 03 7J0	Luxor beige	-UZ		
	991 555 181 03 OA1	agate grey	-FZ		
	991 555 181 03 OH7	Graphite Blue	-HZ		
	991 555 181 03 OK6	saddle brown	-SZ		
	991 555 181 03 OG6	Bordeaux red	-LZ		
	991 555 181 03 OH7	Graphite Blue	-BG,TG		
	991 555 181 03 6J0	Espresso	-NE,BY		
(8)	991 555 182 03	A-pillar trim (leather)	right	1	PR:981
	991 555 182 03 A11	Black	-GQ,GR,GW,GY, AZ,BT,BM,TD		
	991 555 182 03 7J0	Luxor beige	-UZ		
	991 555 182 03 OA1	agate grey	-FZ		
	991 555 182 03 OH7	Graphite Blue	-HZ		
	991 555 182 03 OK6	saddle brown	-SZ		
	991 555 182 03 OG6	Bordeaux red	-LZ		
	991 555 182 03 OH7	Graphite Blue	-BG,TG		
	991 555 182 03 6J0	Espresso	-NE,BY		
9	997 555 857 00	Grommet Centring journal A-pillar		X	
10	999 507 839 01	Clip		X	
11	999 209 084 40	Distance piece		X	
12	991 555 185 01	A-pillar trim	left	1	PR:981
	991 555 185 01 1E0	Black	center -GF,GG,GQ,GR, GW,GY,AG,AJ, AQ,AZ,BT,TD		
	991 555 185 01 OP1	agate grey	-FG,FJ,FQ,FZ		
	991 555 185 01 4H0	Luxor beige	-UG,UJ,UQ,UZ		
	991 555 185 01 OH7	Graphite Blue	-HZ,BG,TG		
	991 555 185 01 OM8	saddle brown	-SZ		
	991 555 185 01 OG6	Bordeaux red	-LZ		
	991 555 185 01 OH7	Graphite Blue	-HZ,BG,TG		
(12)	991 555 186 01	A-pillar trim	right center	1	PR:981

Model: 991-16 Model life 2017>>

Pos	Part Number	Description	Remark	Qty	Model
	991 555 186 01 1E0	Black	-GF,GG,GQ,GR, GW,GY,AG,AJ, AQ,AZ,BT,TD		
	991 555 186 01 OP1	agate grey	-FG,FJ,FQ,FZ		
	991 555 186 01 4H0	Luxor beige	-UG,UJ,UQ,UZ		
	991 555 186 01 OH7	Graphite Blue	-HZ,BG,TG		
	991 555 186 01 OM8	saddle brown	-SZ		
	991 555 186 01 OG6	Bordeaux red	-LZ		
	991 555 186 01 OH7	Graphite Blue	-HZ,BG,TG		
13	999 703 041 40	Rubber buffer A-pillar	center	1	
(14)	991 555 967 00	B-pillar trim (Alcantara)	left  991 555 787 01	1	
			also use:		
(14)	991 555 967 00 2W0	Black			
	991 555 968 00	B-pillar trim (Alcantara)	right  991 555 788 01	1	
			also use:		
15	991 555 968 00 2W0	Black			
	991 555 583 01	Bracket B-pillar	left	1	
(15)	991 555 584 01	Bracket B-pillar	right	1	
16	991 555 969 00	B-pillar trim arm Roof		1	
			also use:		
17	991 555 969 00 2W0	Black			
	991 562 179 02	Flap B-pillar		1	
(17)	991 562 179 02 1E0	Black			
	991 562 180 02	Flap B-pillar		1	
18	991 562 180 02 1E0	Black			
	991 555 527 03	Belt Belt	left  painted	1	
(18)	991 555 527 03 5Q0	Black			
	991 555 528 03	Belt Belt	right  painted	1	
19	991 555 528 03 5Q0	Black			
	991 555 787 01	Sound absorber B-pillar	left	1	
20	991 555 788 01	Sound absorber B-pillar	right	1	
21	991 555 797 01	Sound absorber arm Roof B-pillar		1	
22	N 106 021 01	Hexagon socket flat head bolt		3	
23	999 507 533 02	Clamp		3	
24	5N0 880 385	Clip		1	
25	999 209 122 40	Distance piece		1	
26	996 555 857 00	Grommet		2	
27	997 555 857 00	Grommet		1	
28	991 555 883 00	Grommet	left	1	
(28)	991 555 884 00	Grommet	right	1	

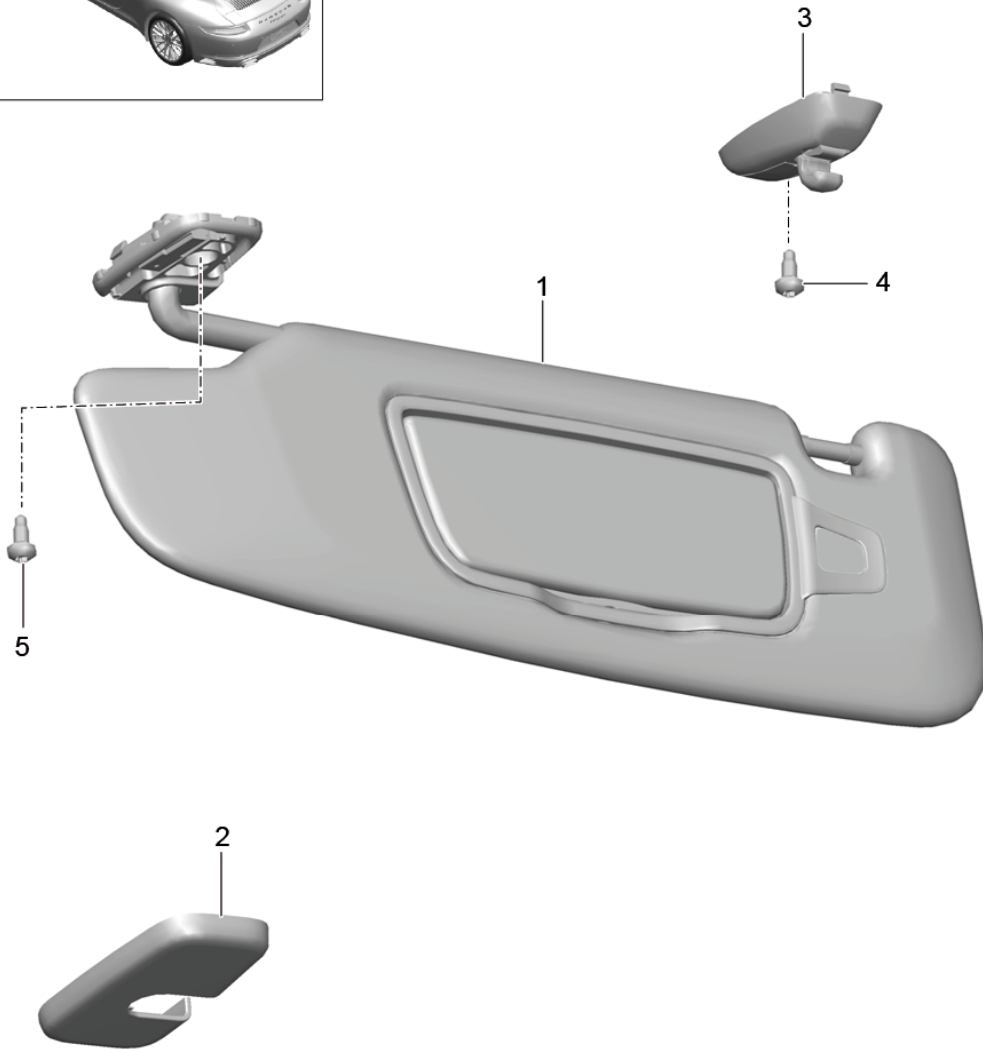
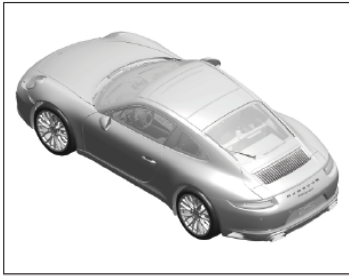
Model: 991-16

Model life 2017&gt;&gt;

Pos	Part Number	Description	Remark	Qty	Model
29	999 015 025 09	Oval-head screw M6X12		2	

Model: 991-16

Model life 2017>>



Model: 991-16 Model life 2017>>

Pos	Part Number	Description	Remark	Qty	Model
1	991 731 031 26	sun vizors Sun visor	left	1	PR: -XLU, -XMP COUPE PR:098
	991 731 031 26 OF7	Black	-AG, AJ, AQ, AZ, SZ, LZ, BT, BM, TD, GF, GG, GQ, -FG, FJ, FQ, FZ		
	991 731 031 26 OA2	agate grey	-UG, UJ, UQ, UZ		
	991 731 031 26 OE6	Luxor beige	-HZ, BG, TG		
	991 731 031 26 OH7	Graphite Blue	-NE, BY		
(1)	991 731 031 26 OJ8	Espresso		1	COUPE PR:098, 074
	991 731 032 26	Sun visor	right		
	991 731 032 26 OF7	Black	-AG, AJ, AQ, AZ, SZ, LZ, BT, BM, TD, GF, GG, GQ, -FG, FJ, FQ, FZ		
	991 731 032 26 OA2	agate grey	-UG, UJ, UQ, UZ		
	991 731 032 26 OE6	Luxor beige	-HZ, BG, TG		
	991 731 032 26 OH7	Graphite Blue	-NE, BY		
(1)	991 731 032 26 OJ8	Espresso		1	COUPE PR:098, -074
	991 731 032 28	Sun visor	right		
	991 731 032 28 OF7	Black	-AG, AJ, AQ, AZ, SZ, LZ, BT, BM, TD, GF, GG, GQ, -FG, FJ, FQ, FZ		
	991 731 032 28 OA2	agate grey	-UG, UJ, UQ, UZ		
	991 731 032 28 OE6	Luxor beige	-HZ, BG, TG		
	991 731 032 28 OH7	Graphite Blue	-NE, BY		
(1)	991 731 032 28 OJ8	Espresso		1	COUPE PR:099
	991 731 031 28	Sun visor	left		
	991 731 031 28 OF7	Black	-AG, AJ, AQ, AZ, SZ, LZ, BT, BM, TD, GF, GG, GQ, -FG, FJ, FQ, FZ		
	991 731 031 28 OA2	agate grey	-UG, UJ, UQ, UZ		
	991 731 031 28 OE6	Luxor beige	-HZ, BG, TG		
	991 731 031 28 OH7	Graphite Blue	-NE, BY		
(1)	991 731 031 28 OJ8	Espresso		1	COUPE PR:099
	991 731 032 26	Sun visor	right		
	991 731 032 26 OF7	Black	-AG, AJ, AQ, AZ, SZ, LZ, BT, BM, TD, GF, GG, GQ, -FG, FJ, FQ, FZ		
	991 731 032 26 OA2	agate grey	-UG, UJ, UQ, UZ		
	991 731 032 26 OE6	Luxor beige	-HZ, BG, TG		
	991 731 032 26 OH7	Graphite Blue	-NE, BY		
(1)	991 731 032 26 OJ8	Espresso		1	Cabrio PR:098
	991 731 031 29	Sun visor	left		
	991 731 031 29 OF7	Black	-AG, AJ, AQ, AZ, SZ, LZ, BT, BM, TD, GF, GG, GQ, -FG, FJ, FQ, FZ		
	991 731 031 29 OA2	agate grey	-UG, UJ, UQ, UZ		
	991 731 031 29 OE6	Luxor beige	-HZ, BG, TG		
	991 731 031 29 OH7	Graphite Blue	-NE, BY		
(1)	991 731 031 29 OJ8	Espresso		1	Cabrio PR:098, 074
	991 731 032 29	Sun visor	right		
	991 731 032 29 OF7	Black	-AG, AJ, AQ, AZ, SZ, LZ, BT, BM, TD, GF, GG, GQ, -FG, FJ, FQ, FZ		
	991 731 032 29 OA2	agate grey	-UG, UJ, UQ, UZ		
	991 731 032 29 OE6	Luxor beige	-HZ, BG, TG		
	991 731 032 29 OH7	Graphite Blue			

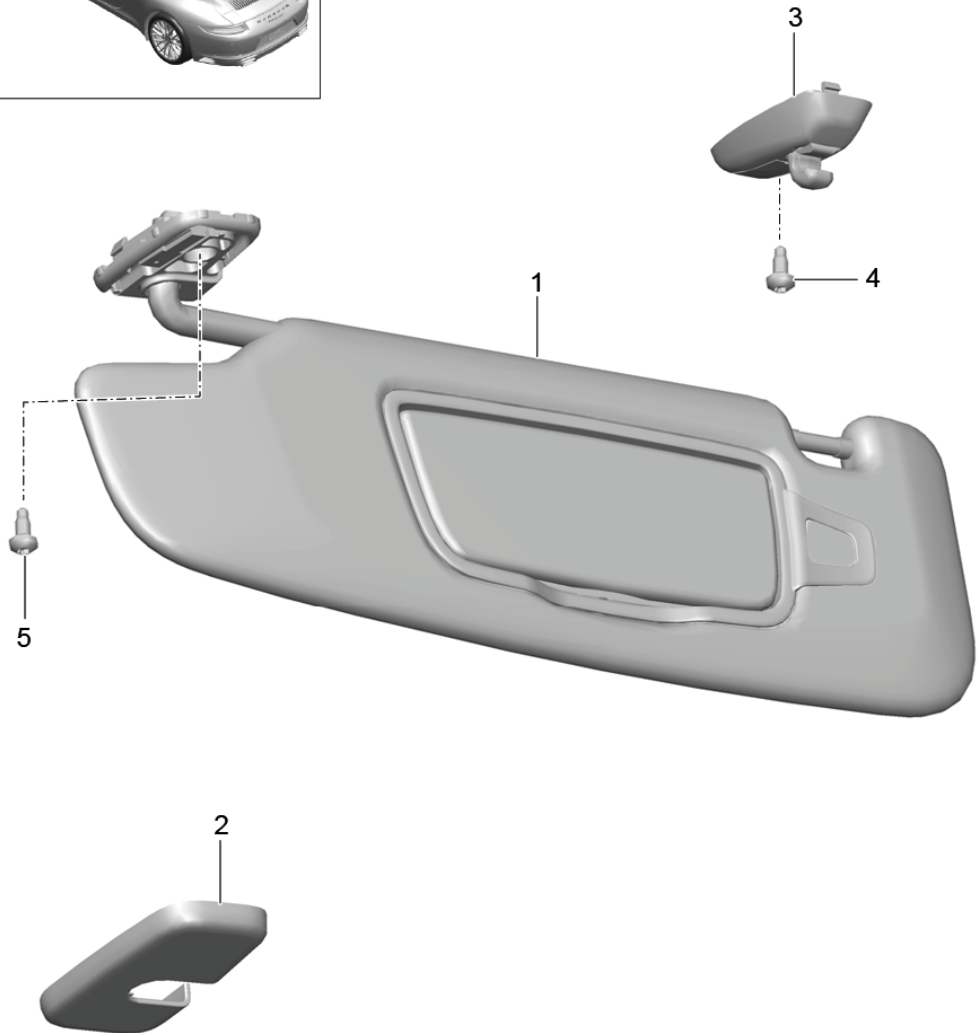
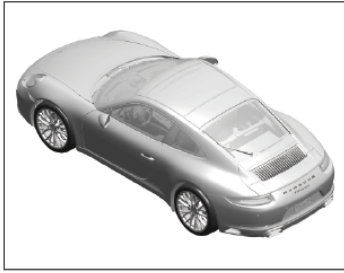


Model: 991-16 Model life 2017>>

Pos	Part Number	Description	Remark	Qty	Model
(1)	991 731 032 29 OJ8 991 731 032 31	Espresso Sun visor	-NE,BY right	1	Cabrio PR:098,-074
	991 731 032 31 OF7	Black	-AG,AJ,AQ,AZ, SZ,LZ,BT,BM, TD,GF,GG,GQ, -FG,FJ,FQ,FZ		
	991 731 032 31 OA2	agate grey	-FG,FJ,FQ,FZ		
	991 731 032 31 OE6	Luxor beige	-UG,UJ,UQ,UZ		
	991 731 032 31 OH7	Graphite Blue	-HZ,BG,TG		
(1)	991 731 032 31 OJ8 991 731 031 31	Espresso Sun visor	-NE,BY left	1	Cabrio PR:099
	991 731 031 31 OF7	Black	-AG,AJ,AQ,AZ, SZ,LZ,BT,BM, TD,GF,GG,GQ, -FG,FJ,FQ,FZ		
	991 731 031 31 OA2	agate grey	-FG,FJ,FQ,FZ		
	991 731 031 31 OE6	Luxor beige	-UG,UJ,UQ,UZ		
	991 731 031 31 OH7	Graphite Blue	-HZ,BG,TG		
(1)	991 731 031 31 OJ8 991 731 032 29	Espresso Sun visor	-NE,BY right	1	Cabrio PR:099
	991 731 032 29 OF7	Black	-AG,AJ,AQ,AZ, SZ,LZ,BT,BM, TD,GF,GG,GQ, -FG,FJ,FQ,FZ		
	991 731 032 29 OA2	agate grey	-FG,FJ,FQ,FZ		
	991 731 032 29 OE6	Luxor beige	-UG,UJ,UQ,UZ		
	991 731 032 29 OH7	Graphite Blue	-HZ,BG,TG		
	991 731 032 29 OJ8	Espresso	-NE,BY		
2	991 731 831 03	Cover	left	1	COUPE
(2)	991 731 831 03 1E0	Black			
(2)	991 731 832 03	Cover	right	1	COUPE
(2)	991 731 832 03 1E0	Black			
(2)	991 731 831 06	Cover	left	1	CABRIO
(2)	991 731 831 06 1E0	Black			
(2)	991 731 832 06	Cover	right	1	CABRIO
(2)	991 731 832 06 1E0	Black			
3	991 731 341 04	Support Sun visor		2	
4	991 731 341 04 1E0 N 104 857 03	Black Hexagon socket flat head bolt		2	
5	N 104 857 03	M5 X 12 Hexagon socket flat head bolt		2	COUPE
(5)	999 073 223 01	M5 X 12 Bolt with washer M6 X 25		4	CABRIO

Model: 991-16

Model life 2017>>



Model: 991-16 Model life 2017>>

Pos	Part Number	Description	Remark	Qty	Model
1	991 731 981 20	sun vizors Sun visor	left	1	COUPE PR:XMP,098
	991 731 981 20 A11	Black			
	991 731 981 20 OA1	agate grey			
	991 731 981 20 7J0	Luxor beige			
	991 731 981 20 OH7	Graphite Blue			
	991 731 981 20 OK6	saddle brown			
	991 731 981 20 6J0	Espresso			
(1)	991 731 982 20	Sun visor	right	1	COUPE PR:XMP,098, 074
	991 731 982 20 A11	Black			
	991 731 982 20 OA1	agate grey			
	991 731 982 20 7J0	Luxor beige			
	991 731 982 20 OH7	Graphite Blue			
	991 731 982 20 OK6	saddle brown			
	991 731 982 20 6J0	Espresso			
(1)	991 731 982 21	Sun visor	right	1	COUPE PR:XMP,098, -074
	991 731 982 21 A11	Black			
	991 731 982 21 OA1	agate grey			
	991 731 982 21 7J0	Luxor beige			
	991 731 982 21 OH7	Graphite Blue			
	991 731 982 21 OK6	saddle brown			
	991 731 982 21 6J0	Espresso			
(1)	991 731 981 21	Sun visor	left	1	COUPE PR:XMP,099
	991 731 981 21 A11	Black			
	991 731 981 21 OA1	agate grey			
	991 731 981 21 7J0	Luxor beige			
	991 731 981 21 OH7	Graphite Blue			
	991 731 981 21 OK6	saddle brown			
	991 731 981 21 6J0	Espresso			
(1)	991 731 982 20	Sun visor	right	1	COUPE PR:XMP,099
	991 731 982 20 A11	Black			
	991 731 982 20 OA1	agate grey			
	991 731 982 20 7J0	Luxor beige			
	991 731 982 20 OH7	Graphite Blue			
	991 731 982 20 OK6	saddle brown			
	991 731 982 20 6J0	Espresso			
(1)	991 731 981 26	Sun visor	left	1	CABRIO/TARGA PR:XMP,098
	991 731 981 26 A11	Black			
	991 731 981 26 OA1	agate grey			
	991 731 981 26 7J0	Luxor beige			
	991 731 981 26 OH7	Graphite Blue			
	991 731 981 26 OK6	saddle brown			
	991 731 981 26 OG6	Bordeaux red			
	991 731 981 26 6J0	Espresso			
(1)	991 731 982 26	Sun visor	right	1	CABRIO/TARGA PR:XMP,098, 074
	991 731 982 26 A11	Black			
	991 731 982 26 OA1	agate grey			
	991 731 982 26 7J0	Luxor beige			
	991 731 982 26 OH7	Graphite Blue			
	991 731 982 26 OK6	saddle brown			
	991 731 982 26 OG6	Bordeaux red			
	991 731 982 26 6J0	Espresso			
(1)	991 731 982 27	Sun visor	right	1	CABRIO/TARGA

Model: 991-16 Model life 2017>>

Pos	Part Number	Description	Remark	Qty	Model
	991 731 982 27 A11	Black			PR:XMP,098, -074
	991 731 982 27 OA1	agate grey			
	991 731 982 27 7J0	Luxor beige			
	991 731 982 27 OH7	Graphite Blue			
	991 731 982 27 OK6	saddle brown			
	991 731 982 27 OG6	Bordeaux red			
	991 731 982 27 6J0	Espresso			
(1)	991 731 981 27	Sun visor	left	1	CABRIO/TARGA PR:XMP,099
	991 731 981 27 A11	Black			
	991 731 981 27 OA1	agate grey			
	991 731 981 27 7J0	Luxor beige			
	991 731 981 27 OH7	Graphite Blue			
	991 731 981 27 OK6	saddle brown			
	991 731 981 27 OG6	Bordeaux red			
	991 731 981 27 6J0	Espresso			
(1)	991 731 982 26	Sun visor	right	1	CABRIO/TARGA PR:XMP,099
	991 731 982 26 A11	Black			
	991 731 982 26 OA1	agate grey			
	991 731 982 26 7J0	Luxor beige			
	991 731 982 26 OH7	Graphite Blue			
	991 731 982 26 OK6	saddle brown			
	991 731 982 26 OG6	Bordeaux red			
	991 731 982 26 6J0	Espresso			
(1)	991 731 981 23	Sun visor	left	1	COUPE PR:XLU,098
(1)	991 731 981 23 2W0	Black			
(1)	991 731 982 23	Sun visor	right	1	COUPE PR:XLU,098, 074
(1)	991 731 982 23 2W0	Black			
(1)	991 731 982 24	Sun visor	right	1	COUPE PR:XLU,098, -074
(1)	991 731 982 24 2W0	Black			
(1)	991 731 981 24	Sun visor	left	1	COUPE PR:XLU,099
(1)	991 731 981 24 2W0	Black			
(1)	991 731 982 23	Sun visor	right	1	COUPE PR:XLU,099
(1)	991 731 982 23 2W0	Black			
(1)	991 731 981 29	Sun visor	left	1	CABRIO PR:XLU,098
(1)	991 731 981 29 2W0	Black			
(1)	991 731 982 29	Sun visor	right	1	CABRIO PR:XLU,098, 074
(1)	991 731 982 29 2W0	Black			
(1)	991 731 982 29	Sun visor	right	1	CABRIO PR:XLU,099
(1)	991 731 982 29 2W0	Black			
(1)	991 731 982 30	Sun visor	right	1	CABRIO PR:XLU,098, -074
(1)	991 731 982 30 2W0	Black			
(1)	991 731 981 30	Sun visor	left	1	CABRIO PR:XLU,099
2	991 731 981 30 2W0	Black			
	991 731 831 03	Cover	left	1	COUPE
	991 731 831 03 1E0	Black			

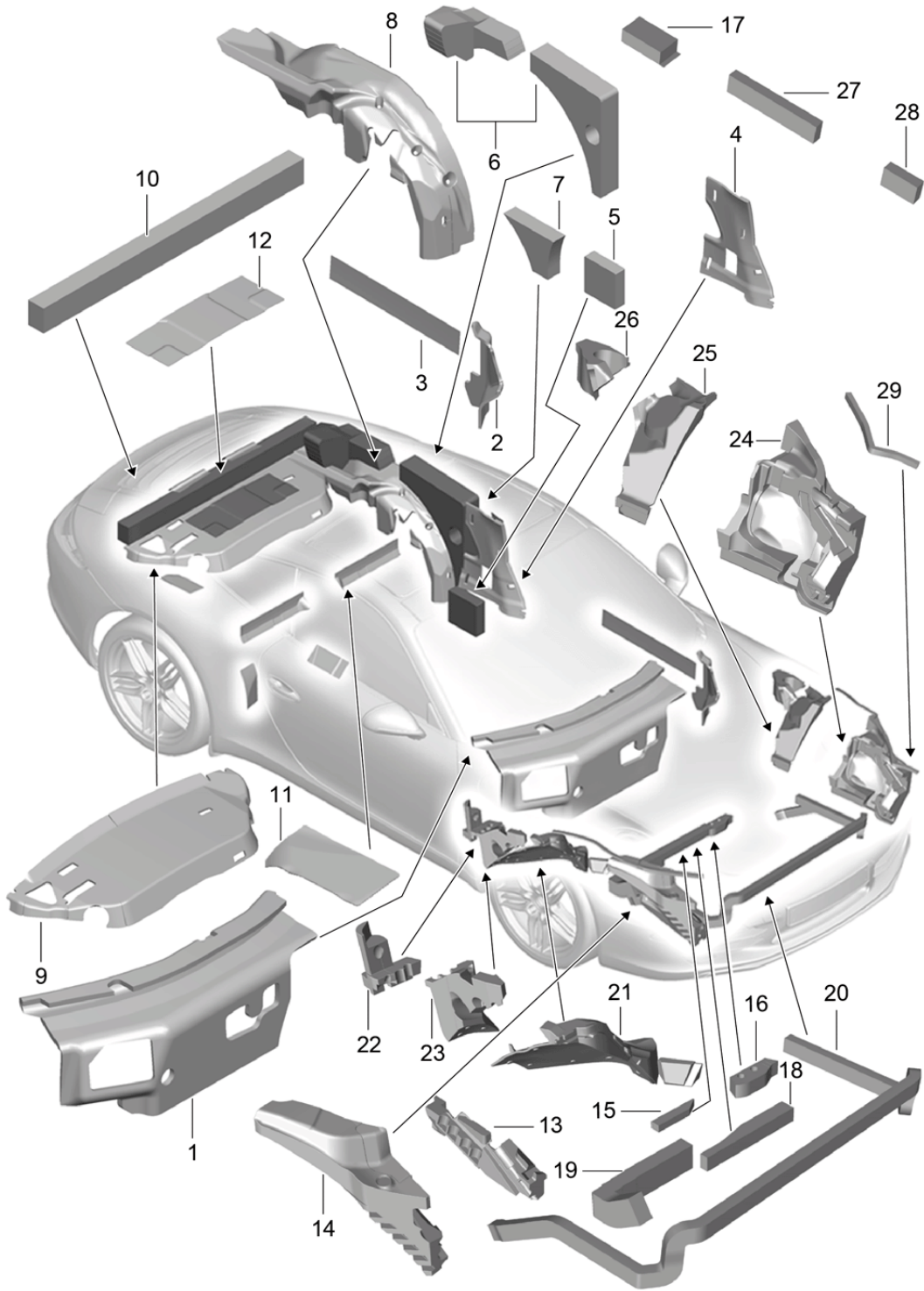
Model: 991-16

Model life 2017>>

Pos	Part Number	Description	Remark	Qty	Model
(2)	991 731 832 03 991 731 832 03 1E0	Cover Black	right	1	COUPE
(2)	991 731 831 06 991 731 831 06 1E0	Cover Black	left	1	CABRIO/TARGA
(2)	991 731 832 06 991 731 832 06 1E0	Cover Black	right	1	CABRIO/TARGA
3	991 731 341 04	Support Sun visor		2	
	991 731 341 04 1E0	Black			
4	N 104 857 03	Hexagon socket flat head bolt M5 X 12		X	
5	N 104 857 03	Hexagon socket flat head bolt M5 X 12		2	COUPE
(5)	999 073 223 01	Bolt with washer M6 X 25		4	CABRIO

Model: 991-16

Model life 2017>>



Model: 991-16 Model life 2017>>

Pos	Part Number	Description	Remark	Qty	Model
		Body			COUPE
1	991 556 723 01	Sound proofing 1 Sound absorber	lhd	1	PR:098
(1)	991 556 724 01	Firewall Sound absorber	rhd	1	PR:099
2	991 556 605 02	Firewall Sound absorber	left	1	
(2)	991 556 606 01	Wheel housing Sound absorber	front right	1	
3	997 556 531 01	Wheel housing Sound absorber for door	front	2	
4	991 556 513 06	Sound absorber B-pillar		2	
5	991 556 803 01	Side panel trim Sound absorber		2	
6	991 556 571 02	Seat well Sound absorber	left	2	
(6)	991 556 573 00	Rear bulkhead Sound absorber		2	
7	991 556 667 01	Rear bulkhead Sound absorber		2	
8	991 556 657 03	Wheel housing Sound absorber	left	1	
(8)	991 556 658 00	Wheel housing Sound absorber	rear right	1	
9	991 556 711 02	Wheel housing Sound absorber	rear	1	
10	991 556 719 03	Engine bay Sound absorber		1	
11	991 556 503 00	Bleeding Damping	inner	14	
12	991 556 521 00	Damping mat	rear	1	
13	991 572 532 00	Foam part PDCC	lhd	1	PR:098
14	991 572 534 00	Firewall Foam part	lhd	1	PR:098
15	991 572 557 00	PDCC Foam part		1	
16	991 572 553 00	Fuel tank Foam part		1	
17	991 572 529 00	Fuel tank Foam part		1	
18	991 572 527 01	Fuel tank Foam part		1	
19	991 572 525 01	Fuel tank Foam part		1	
20	991 572 522 02	Fuel tank Foam part		1	
24	991 572 531 01	Fuel tank Foam part	rhd	1	PR:099
25	991 572 511 01	Hydraulic unit Foam part	rhd	1	PR:099
26	991 572 513 01	Water reservoir Foam part	rhd	1	PR:099
27	991 572 543 00	Water reservoir Foam part		1	
28	991 572 545 00	Wing Foam part		1	
29	991 556 647 00	Wing Sound absorber		1	PR:652
		Roof			

Model: 991-16

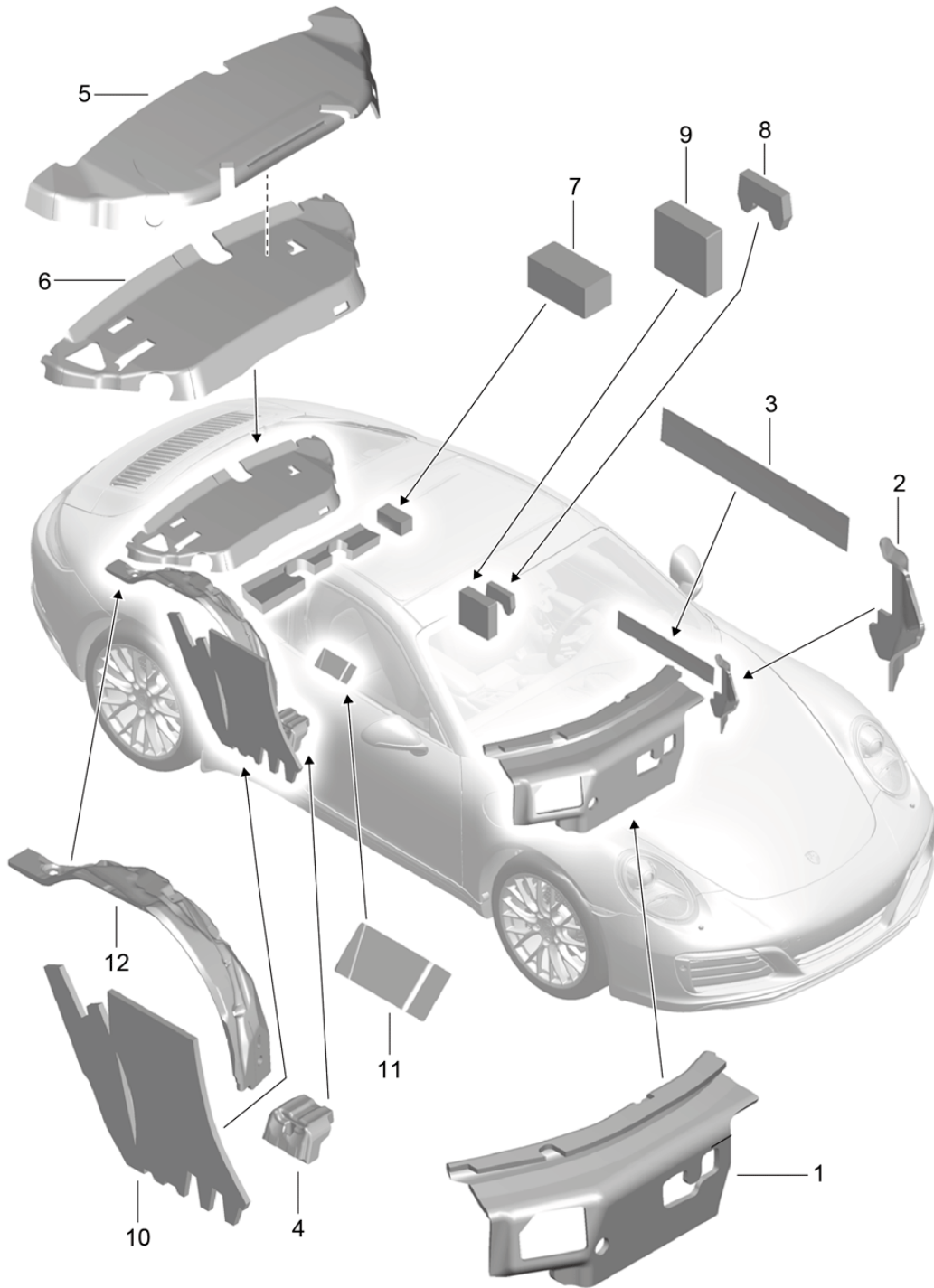
Model life 2017&gt;&gt;

Pos	Part Number	Description	Remark	Qty	Model
30	999 049 027 40	Plastic nut Mount Sound absorber Rear bulkhead		2	



Model: 991-16

Model life 2017>>



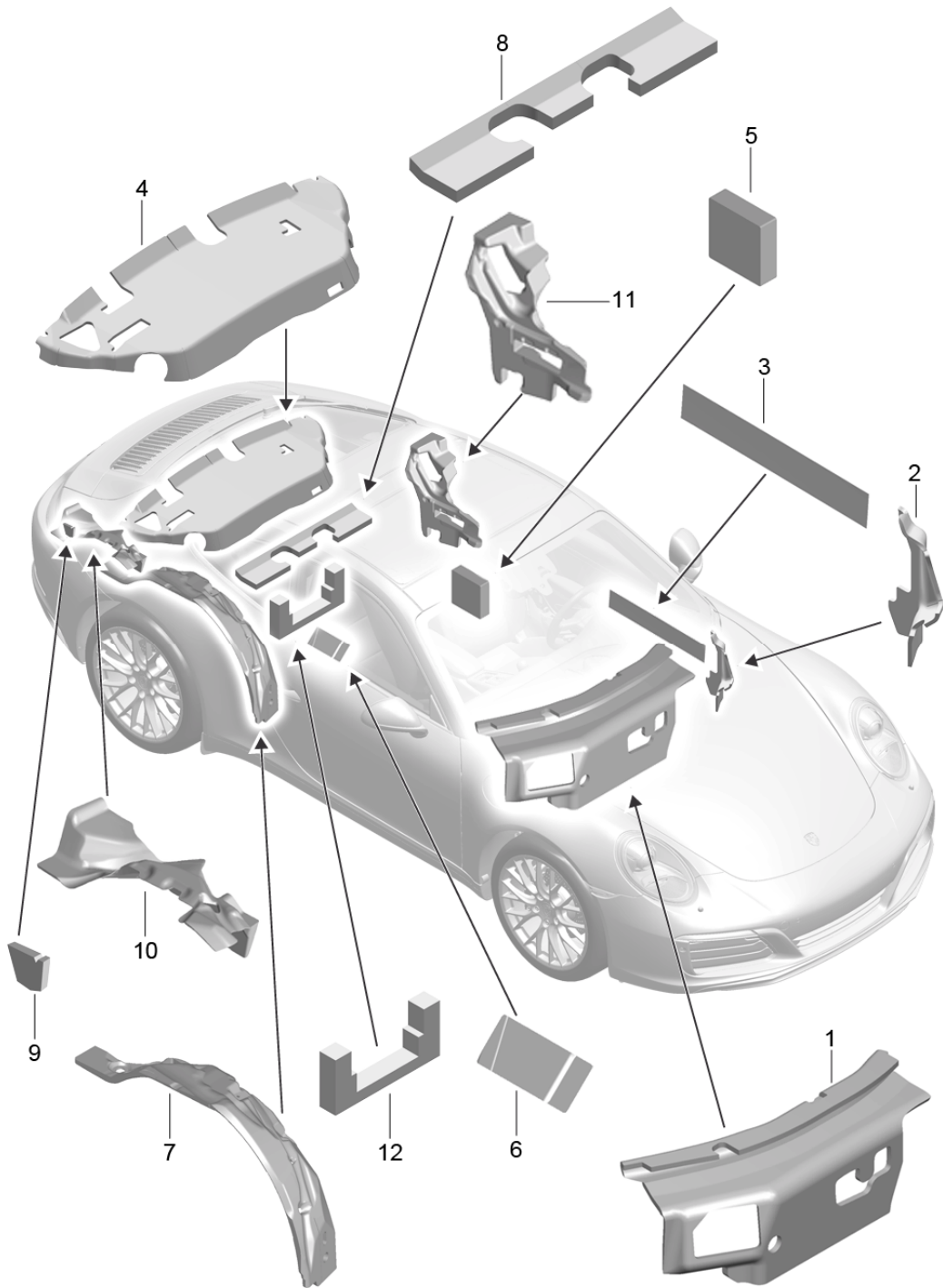
Model: 991-16

Model life 2017>>

Pos	Part Number	Description	Remark	Qty	Model
		Body			Cabrio
1	991 556 723 01	Sound proofing 1 Sound absorber Firewall	lhd	1	PR:098
(1)	991 556 724 01	Sound absorber Firewall	rhd	1	PR:099
2	991 556 605 02	Sound absorber Wheel housing	left front	1	
(2)	991 556 606 01	Sound absorber Wheel housing	right front	1	
3	997 556 531 01	sound absorber for door		2	
4	991 556 541 00	Sound absorber B-pillar	lower	1	
5	991 556 611 02	Sound absorber Convertible top tray		1	
6	991 556 711 02	Sound absorber Engine bay	outer	1	
7	991 556 821 00	Sound absorber Mounting backrest		1	
8	991 556 543 00	Sound absorber B-pillar	inner	1	
9	991 556 803 01	Sound absorber Seat well		1	
10	991 556 546 03	Sound absorber Rear bulkhead	right	1	
(10)	991 556 545 03	Sound absorber Rear bulkhead	left	1	
11	991 556 503 00	Damping	inner	16	
12	991 556 658 01	Sound absorber Wheel housing	rear right	1	
(12)	991 556 657 01	Sound absorber Wheel housing	rear left	1	

Model: 991-16

Model life 2017>>



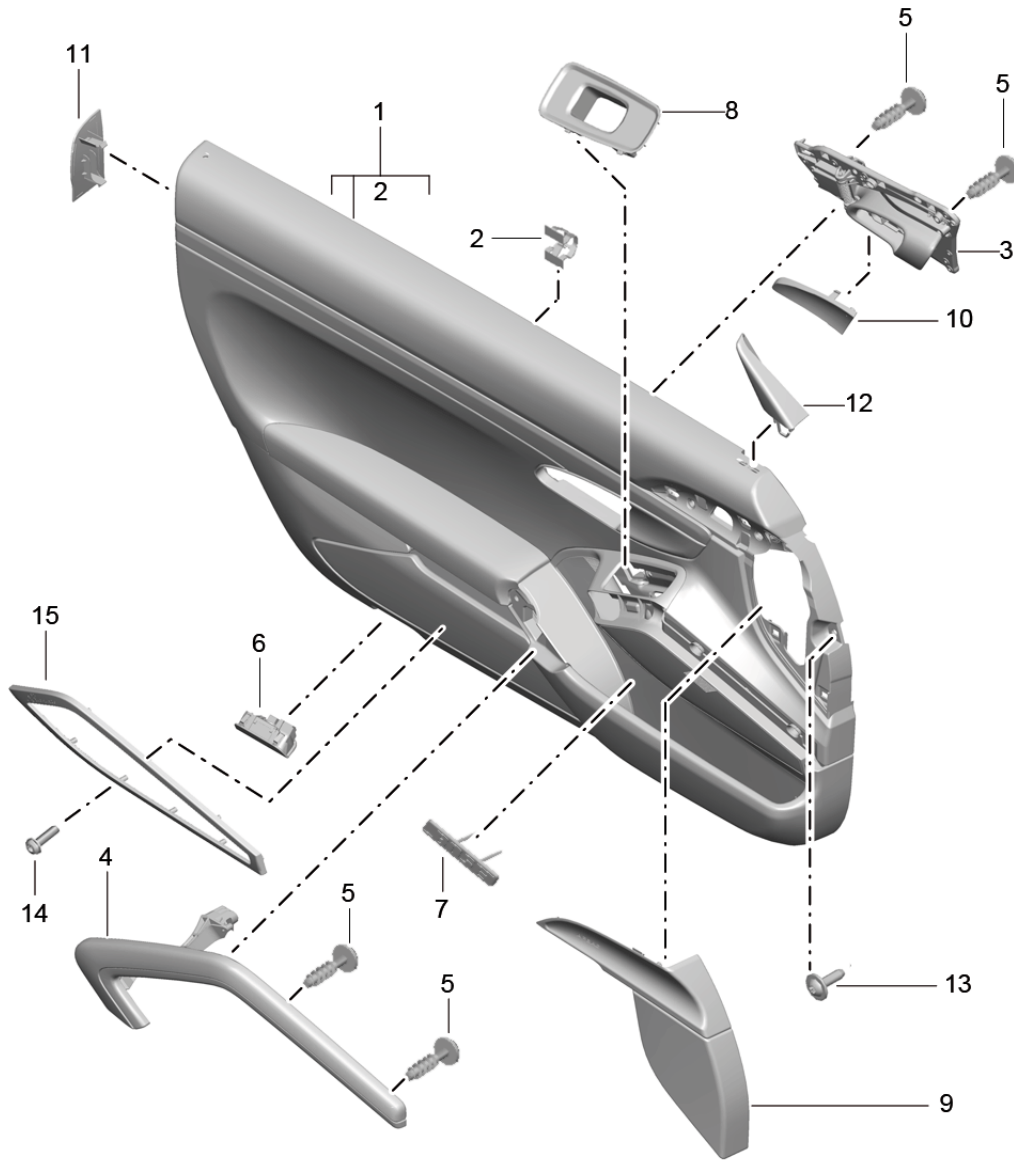
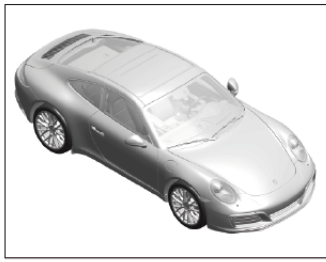
Model: 991-16

Model life 2017>>

Pos	Part Number	Description	Remark	Qty	Model
		Body			Targa
1	991 556 723 01	Sound proofing 1 Sound absorber	lhd	1	PR:098
(1)	991 556 724 01	Firewall Sound absorber	rhd	1	PR:099
2	991 556 605 02	Firewall Sound absorber	left	1	
(2)	991 556 606 01	Wheel housing Sound absorber	front right	1	
3	997 556 531 01	Wheel housing sound absorber for door	front	2	
4	991 556 711 02	Sound absorber	outer	1	
5	991 556 803 01	Engine bay Sound absorber		1	
6	991 556 503 00	Seat well Damping	inner	1	
7	991 556 658 02	Sound absorber	right	1	
(7)	991 556 657 02	Wheel housing Sound absorber	rear left	1	
8	991 556 643 02	Wheel housing Sound absorber	rear	1	
9	991 556 621 00	rear panel Sound absorber	left a. right	1	
10	991 556 623 01	Wheel housing Sound absorber	rear outer	1	
(10)	991 556 624 01	Wheel housing Sound absorber	left lower right	1	
11	991 556 515 00	Wheel housing Sound absorber	rear lower	1	
(11)	991 556 516 00	Rear bulkhead Sound absorber	left	1	
12	991 556 633 01	Rear bulkhead Sound absorber	right	1	
		Convertible top Driving mechanism		1	

Model: 991-16

Model life 2017>>



Model: 991-16 Model life 2017>>

Pos	Part Number	Description	Remark	Qty	Model
1	991 555 203 00	door panel Accessories Leatherette	left	1	PR:811,-981,-975
	991 555 203 00 DK4	Black	-AG,AJ,AQ		
	991 555 203 00 OU4	agate grey	-FG,FJ,FQ		
	991 555 203 00 DM5	Luxor beige	-UG,UJ,UQ		
(1)	991 555 203 01	door panel Leatherette	left	1	PR:811,9VK,-537,-625,-975
	991 555 203 01 DK4	Black	-AG,AJ,AQ		
	991 555 203 01 OU4	agate grey	-FG,FJ,FQ		
	991 555 203 01 DM5	Luxor beige	-UG,UJ,UQ		
(1)	991 555 203 02	door panel Leatherette	left	1	PR:811,9VL,-537,-625,-975
	991 555 203 02 DK4	Black	-AG,AJ,AQ		
	991 555 203 02 OU4	agate grey	-FG,FJ,FQ		
	991 555 203 02 DM5	Luxor beige	-UG,UJ,UQ		
(1)	991 555 203 06	door panel Leatherette	left	1	PR:537,811,9VK,-625,-975
	991 555 203 06 DK4	Black	-AG,AJ,AQ		
	991 555 203 06 OU4	agate grey	-FG,FJ,FQ		
	991 555 203 06 DM5	Luxor beige	-UG,UJ,UQ		
(1)	991 555 203 07	door panel Leatherette	left	1	PR:537,811,9VL,-625,-975
	991 555 203 07 DK4	Black	-AG,AJ,AQ		
	991 555 203 07 OU4	agate grey	-FG,FJ,FQ		
	991 555 203 07 DM5	Luxor beige	-UG,UJ,UQ		
(1)	991 555 203 08	door panel Leatherette	left	1	PR:537,811,9VJ,-625,-975
	991 555 203 08 DK4	Black	-AG,AJ,AQ		
	991 555 203 08 OU4	agate grey	-FG,FJ,FQ		
	991 555 203 08 DM5	Luxor beige	-UG,UJ,UQ		
(1)	991 555 203 12	door panel Leatherette	left	1	PR:625,811,9VK,-537,-975
	991 555 203 12 DK4	Black	-AG,AJ,AQ		
	991 555 203 12 OU4	agate grey	-FG,FJ,FQ		
	991 555 203 12 DM5	Luxor beige	-UG,UJ,UQ		
(1)	991 555 203 13	door panel Leatherette	left	1	PR:625,811,9VL,-537,-975
	991 555 203 13 DK4	Black	-AG,AJ,AQ		
	991 555 203 13 OU4	agate grey	-FG,FJ,FQ		
	991 555 203 13 DM5	Luxor beige	-UG,UJ,UQ		
(1)	991 555 203 14	door panel Leatherette	left	1	PR:625,811,9VJ,-537,-975
	991 555 203 14 DK4	Black	-AG,AJ,AQ		
	991 555 203 14 OU4	agate grey	-FG,FJ,FQ		
	991 555 203 14 DM5	Luxor beige	-UG,UJ,UQ		
(1)	991 555 203 18	door panel Leatherette	left	1	PR:537,625,811,9VK,-975
	991 555 203 18 DK4	Black	-AG,AJ,AQ		
	991 555 203 18 OU4	agate grey	-FG,FJ,FQ		
	991 555 203 18 DM5	Luxor beige	-UG,UJ,UQ		
(1)	991 555 203 19	door panel	left	1	PR:098,537,

Model: 991-16 Model life 2017>>

Pos	Part Number	Description	Remark	Qty	Model
	991 555 203 19 DK4	Leatherette Black	-AG,AJ,AQ		625,811,9VL
	991 555 203 19 OU4	agate grey	-FG,FJ,FQ		
	991 555 203 19 DM5	Luxor beige	-UG,UJ,UQ		
(1)	991 555 203 20	door panel Leatherette	left	1	PR:537,625, 811,9VJ,-975
	991 555 203 20 DK4	Black	-AG,AJ,AQ		
	991 555 203 20 OU4	agate grey	-FG,FJ,FQ		
	991 555 203 20 DM5	Luxor beige	-UG,UJ,UQ		
(1)	991 555 203 D2	door panel Leatherette	left	1	PR:037,8AA, 9VK,9VL,811
	991 555 203 D2 DVR	Black/Guards Red	-WI		
(1)	991 555 204 00	door panel Leatherette	right	1	PR:811,9VK, -538,-625, -975
	991 555 204 00 DK4	Black	-AG,AJ,AQ		
	991 555 204 00 OU4	agate grey	-FG,FJ,FQ		
	991 555 204 00 DM5	Luxor beige	-UG,UJ,UQ		
(1)	991 555 204 01	door panel Leatherette	right	1	PR:811,9VL, -538,-625, -975
	991 555 204 01 DK4	Black	-AG,AJ,AQ		
	991 555 204 01 OU4	agate grey	-FG,FJ,FQ		
	991 555 204 01 DM5	Luxor beige	-UG,UJ,UQ		
(1)	991 555 204 02	door panel Leatherette	right	1	PR:811,9VJ, -538,-625, -975
	991 555 204 02 DK4	Black	-AG,AJ,AQ		
	991 555 204 02 OU4	agate grey	-FG,FJ,FQ		
	991 555 204 02 DM5	Luxor beige	-UG,UJ,UQ		
(1)	991 555 204 06	door panel Leatherette	right	1	PR:538,811, 9VK,-625, -975
	991 555 204 06 DK4	Black	-AG,AJ,AQ		
	991 555 204 06 OU4	agate grey	-FG,FJ,FQ		
	991 555 204 06 DM5	Luxor beige	-UG,UJ,UQ		
(1)	991 555 204 07	door panel Leatherette	right	1	PR:538,811, 9VL,-625, -975
	991 555 204 07 DK4	Black	-AG,AJ,AQ		
	991 555 204 07 OU4	agate grey	-FG,FJ,FQ		
	991 555 204 07 DM5	Luxor beige	-UG,UJ,UQ		
(1)	991 555 204 08	door panel Leatherette	right	1	PR:538,811, 9VJ,-625, -975
	991 555 204 08 DK4	Black	-AG,AJ,AQ		
	991 555 204 08 OU4	agate grey	-FG,FJ,FQ		
	991 555 204 08 DM5	Luxor beige	-UG,UJ,UQ		
(1)	991 555 204 12	door panel Leatherette	right	1	PR:625,811, 9VK,-538, -975
	991 555 204 12 DK4	Black	-AG,AJ,AQ		
	991 555 204 12 OU4	agate grey	-FG,FJ,FQ		
	991 555 204 12 DM5	Luxor beige	-UG,UJ,UQ		
(1)	991 555 204 13	door panel Leatherette	right	1	PR:625,811, 9VL,-538, -975
	991 555 204 13 DK4	Black	-AG,AJ,AQ		
	991 555 204 13 OU4	agate grey	-FG,FJ,FQ		
	991 555 204 13 DM5	Luxor beige	-UG,UJ,UQ		
(1)	991 555 204 14	door panel Leatherette	right	1	PR:625,811, 9VJ,-538, -975

Model: 991-16 Model life 2017>>

Pos	Part Number	Description	Remark	Qty	Model
(1)	991 555 204 14 DK4	Black	-AG,AJ,AQ	1	PR:538,625, 811,9VK,-975
	991 555 204 14 OU4	agate grey	-FG,FJ,FQ		
	991 555 204 14 DM5	Luxor beige	-UG,UJ,UQ		
	991 555 204 18	door panel Leatherette	right		
(1)	991 555 204 18 DK4	Black	-AG,AJ,AQ	1	PR:538,625, 811,9VL,-975
	991 555 204 18 OU4	agate grey	-FG,FJ,FQ		
	991 555 204 18 DM5	Luxor beige	-UG,UJ,UQ		
	991 555 204 19	door panel Leatherette	right		
(1)	991 555 204 19 DK4	Black	-AG,AJ,AQ	1	PR:538,625, 811,9VJ,-975
	991 555 204 19 OU4	agate grey	-FG,FJ,FQ		
	991 555 204 19 DM5	Luxor beige	-UG,UJ,UQ		
	991 555 204 20	door panel Leatherette	right		
(1)	991 555 204 20 DK4	Black	-AG,AJ,AQ	1	PR:037,8AA, 9VK,9VL,811
	991 555 204 20 OU4	agate grey	-FG,FJ,FQ		
	991 555 204 20 DM5	Luxor beige	-UG,UJ,UQ		
	991 555 204 C4	door panel Leatherette	right		
2	991 555 204 C4 DVR	Black/Guards Red	-WI	4	
	999 507 533 02	Clamp 8,0 X 10,0 /2,5		4	
3	991 555 521 02	Inner actuator	left	1	
		with:			
(3)	991 555 521 02 V08	Sensor Galvano silver		1	
	991 555 522 02	Inner actuator	right		
		with:			
4	991 555 522 02 V08	Sensor Galvano silver		1	
	991 555 533 00	Pull handle Leather	left		
(4)	991 555 533 00 A11	Black	-AG,AJ,AQ	1	
	991 555 533 00 OA1	agate grey	-FG,FJ,FQ		
	991 555 533 00 7J0	Luxor beige	-UG,UJ,UQ		
	991 555 534 00	Pull handle (leather)	right		
5	991 555 534 00 A11	Black	-AG,AJ,AQ	9	
	991 555 534 00 OA1	agate grey	-FG,FJ,FQ		
	991 555 534 00 7J0	Luxor beige	-UG,UJ,UQ		
	999 919 262 01	fillister hd. bolt 4,0 X 16,0			
6	970 632 135 00	Door warning light		2	
7	7PP 945 699	inscription		2	PR:680
8	991 555 723 02	Bose Mounting frame		1	
		Switch			
9	991 555 723 02 1E0	Black		1	
	991 555 721 02	Cover	left front		
(9)	991 555 721 02 5Q0	Black	-AG,AJ,AQ	1	
	991 555 721 02 OA6	agate grey	-FG,FJ,FQ		
	991 555 721 02 6W0	Luxor beige	-UG,UJ,UQ		
	991 555 722 02	Cover	right front		
10	991 555 722 02 5Q0	Black	-AG,AJ,AQ	1	
	991 555 722 02 OA6	agate grey	-FG,FJ,FQ		
	991 555 722 02 6W0	Luxor beige	-UG,UJ,UQ		
	7PP 837 247	Cover panel	left		
(10)	7PP 837 247 1E0	Inner actuator		1	
	7PP 837 248	Black Cover panel Inner actuator	right		



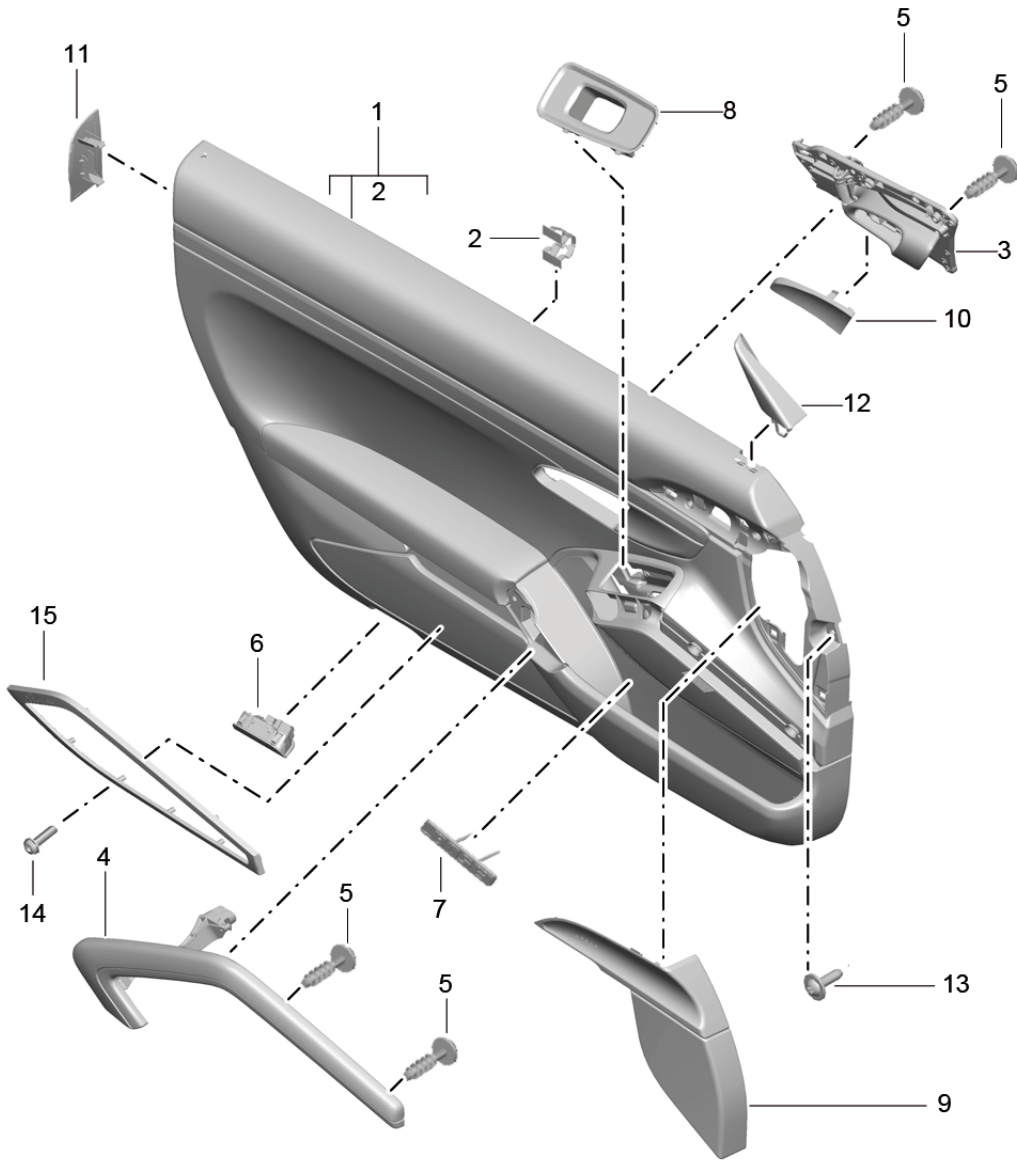
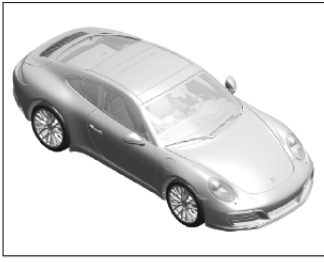
Model: 991-16

Model life 2017>>

Pos	Part Number	Description	Remark	Qty	Model
11	7PP 837 248 1E0	Black			
	991 555 683 01	cover for airbag	left	1	
	991 555 683 01 5Q0	Black	-AG,AJ,AQ		
	991 555 683 01 OA6	agate grey	-FG,FJ,FQ		
	991 555 683 01 6W0	Luxor beige	-UG,UJ,UQ		
(11)	991 555 684 01	cover for airbag	right	1	
	991 555 684 01 5Q0	Black	-AG,AJ,AQ		
	991 555 684 01 OA6	agate grey	-FG,FJ,FQ		
	991 555 684 01 6W0	Luxor beige	-UG,UJ,UQ		
12	991 555 741 00	Cover panel	left	1	
		window frame			
	991 555 741 00 1E0	Black			
(12)	991 555 742 00	Cover panel	right	1	
		window frame			
	991 555 742 00 1E0	Black			
13	999 073 322 02	fillister hd. bolt		8	
		M 6 X 20			
14	999 919 203 07	fillister hd. bolt		10	
		M 3 X 10			
15	991 555 581 00	decorative frame	left	1	PR:9VJ
		Loudspeaker trim			
		Burmester			
	991 555 581 00 V08	Galvano silver			
(15)	991 555 582 00	decorative frame	right	1	PR:9VJ
		Loudspeaker trim			
		Burmester			
	991 555 582 00 V08	Galvano silver			

Model: 991-16

Model life 2017>>



Model: 991-16 Model life 2017>>

Pos	Part Number	Description	Remark	Qty	Model
		door panel Accessories Leather Trim Galvano silver			PR:812,981
(1)	991 555 203 03	Door panel trim (leather)	left	1	PR:9VK
	991 555 203 03 A11	Black	-AZ		
	991 555 203 03 OA1	agate grey	-FZ		
	991 555 203 03 OH7	Graphite Blue	-HZ		
	991 555 203 03 OK6	saddle brown	-SZ		
	991 555 203 03 7J0	Luxor beige	-UZ		
	991 555 203 03 OG6	Bordeaux red	-LZ		
	991 555 203 03 6J0	Espresso	-NE		
	991 555 203 03 JHB	Black/Dark Silver	-TD		
(1)	991 555 203 03	Door panel trim (leather) two-colour	left	1	PR:9VK
	991 555 203 03 DTO	Black/Luxor Beige	-BT		
	991 555 203 03 GUG	Black/Bordeaux Red	-BM		
	991 555 203 03 GTG	Graphite Blue/Chalk	-BG,TG		
	991 555 203 03 GRG	Espresso/Cognac	-BY		
(1)	991 555 204 03	Door panel trim (leather)	right	1	PR:9VK
	991 555 204 03 A11	Black	-AZ		
	991 555 204 03 OA1	agate grey	-FZ		
	991 555 204 03 OH7	Graphite Blue	-HZ		
	991 555 204 03 OK6	saddle brown	-SZ		
	991 555 204 03 7J0	Luxor beige	-UZ		
	991 555 204 03 OG6	Bordeaux red	-LZ		
	991 555 204 03 6J0	Espresso	-NE		
	991 555 204 03 JHB	Black/Dark Silver	-TD		
(1)	991 555 204 03	Door panel trim (leather) two-colour	right	1	PR:9VK
	991 555 204 03 DTO	Black/Luxor Beige	-BT		
	991 555 204 03 GUG	Black/Bordeaux Red	-BM		
	991 555 204 03 GTG	Graphite Blue/Chalk	-BG,TG		
	991 555 204 03 GRG	Espresso/Cognac	-BY		
(1)	991 555 203 04	Door panel trim (leather)	left	1	PR:9VL
	991 555 203 04 A11	Black	-AZ		
	991 555 203 04 OA1	agate grey	-FZ		
	991 555 203 04 OH7	Graphite Blue	-HZ		
	991 555 203 04 OK6	saddle brown	-SZ		
	991 555 203 04 7J0	Luxor beige	-UZ		
	991 555 203 04 OG6	Bordeaux red	-LZ		
	991 555 203 04 6J0	Espresso	-NE		
	991 555 203 04 JHB	Black/Dark Silver	-TD		
(1)	991 555 203 04	Door panel trim (leather) two-colour	left	1	PR:9VL
	991 555 203 04 DTO	Black/Luxor Beige	-BT		
	991 555 203 04 GUG	Black/Bordeaux Red	-BM		
	991 555 203 04 GTG	Graphite Blue/Chalk	-BG,TG		
	991 555 203 04 GRG	Espresso/Cognac	-BY		
(1)	991 555 204 04	Door panel trim (leather)	right	1	PR:9VL
	991 555 204 04 A11	Black	-AZ		
	991 555 204 04 OA1	agate grey	-FZ		
	991 555 204 04 OH7	Graphite Blue	-HZ		
	991 555 204 04 OK6	saddle brown	-SZ		
	991 555 204 04 7J0	Luxor beige	-UZ		
	991 555 204 04 OG6	Bordeaux red	-LZ		
	991 555 204 04 6J0	Espresso	-NE		
	991 555 204 04 JHB	Black/Dark Silver	-TD		
(1)	991 555 204 04	Door panel trim (leather) two-colour	right	1	PR:9VL
	991 555 204 04 DTO	Black/Luxor Beige	-BT		
	991 555 204 04 GUG	Black/Bordeaux Red	-BM		

Model: 991-16 Model life 2017>>

Pos	Part Number	Description	Remark	Qty	Model
	991 555 204 04 GTG	Graphite Blue/Chalk	-BG,TG		
	991 555 204 04 GRG	Espresso/Cognac	-BY		
(1)	991 555 203 05	Door panel trim (leather)	left	1	PR:9VJ
	991 555 203 05 A11	Black	-AZ		
	991 555 203 05 OA1	agate grey	-FZ		
	991 555 203 05 OH7	Black	-HZ		
	991 555 203 05 OK6	saddle brown	-SZ		
	991 555 203 05 7J0	Luxor beige	-UZ		
	991 555 203 05 OG6	Bordeaux red	-LZ		
	991 555 203 05 6J0	Espresso	-NE		
	991 555 203 05 JHB	Black/Dark Silver	-TD		
(1)	991 555 203 05	Door panel trim (leather)	left	1	PR:9VJ
		two-colour			
	991 555 203 05 DTO	Black/Luxor Beige	-BT		
	991 555 203 05 GUG	Black/Bordeaux Red	-BM		
	991 555 203 05 GTG	Graphite Blue/Chalk	-BG,TG		
	991 555 203 05 GRG	Espresso/Cognac	-BY		
(1)	991 555 204 05	Door panel trim (leather)	right	1	PR:9VJ
	991 555 204 05 A11	Black	-AZ		
	991 555 204 05 OA1	agate grey	-FZ		
	991 555 204 05 OH7	Black	-HZ		
	991 555 204 05 OK6	saddle brown	-SZ		
	991 555 204 05 7J0	Luxor beige	-UZ		
	991 555 204 05 OG6	Bordeaux red	-LZ		
	991 555 204 05 6J0	Espresso	-NE		
	991 555 204 05 JHB	Black/Dark Silver	-TD		
(1)	991 555 204 05	Door panel trim (leather)	right	1	PR:9VJ
		two-colour			
	991 555 204 05 DTO	Black/Luxor Beige	-BT		
	991 555 204 05 GUG	Black/Bordeaux Red	-BM		
	991 555 204 05 GTG	Graphite Blue/Chalk	-BG,TG		
	991 555 204 05 GRG	Espresso/Cognac	-BY		
(1)	991 555 203 09	Door panel trim (leather)	left lhd	1	PR:9VK,537, 098
	991 555 203 09 A11	Black	-AZ		
	991 555 203 09 OA1	agate grey	-FZ		
	991 555 203 09 OH7	Graphite Blue	-HZ		
	991 555 203 09 OK6	saddle brown	-SZ		
	991 555 203 09 7J0	Luxor beige	-UZ		
	991 555 203 09 OG6	Bordeaux red	-LZ		
	991 555 203 09 6J0	Espresso	-NE		
	991 555 203 09 JHB	Black/Dark Silver	-TD		
(1)	991 555 203 09	Door panel trim (leather)	left lhd	1	PR:9VK,537, 098
		two-colour			
	991 555 203 09 DTO	Black/Luxor Beige	-BT		
	991 555 203 09 GUG	Black/Bordeaux Red	-BM		
	991 555 203 09 GTG	Graphite Blue/Chalk	-BG,TG		
	991 555 203 09 GRG	Espresso/Cognac	-BY		
(1)	991 555 204 09	Door panel trim (leather)	right rhd	1	PR:9VK,538, 099
	991 555 204 09 A11	Black	-AZ		
	991 555 204 09 OA1	agate grey	-FZ		
	991 555 204 09 OH7	Black	-HZ		
	991 555 204 09 OK6	saddle brown	-SZ		
	991 555 204 09 7J0	Luxor beige	-UZ		
	991 555 204 09 OG6	Bordeaux red	-LZ		
	991 555 204 09 6J0	Espresso	-NE		
	991 555 204 09 JHB	Black/Dark Silver	-TD		
(1)	991 555 204 09	Door panel trim (leather)	right rhd	1	PR:9VK,538, 099
		two-colour			
	991 555 204 09 DTO	Black/Luxor Beige	-BT		

Model: 991-16 Model life 2017>>

Pos	Part Number	Description	Remark	Qty	Model			
(1)	991 555 204 09 GUG	Black/Bordeaux Red	-BM	1	PR:9VL,537,098			
	991 555 204 09 GTG	Graphite Blue/Chalk	-BG,TG					
	991 555 204 09 GRG	Espresso/Cognac	-BY					
	991 555 203 10	Door panel trim (leather)	left lhd					
	991 555 203 10 A11	Black	-AZ					
	991 555 203 10 OA1	agate grey	-FZ					
	991 555 203 10 OH7	Graphite Blue	-HZ					
	991 555 203 10 OK6	saddle brown	-SZ					
	991 555 203 10 7J0	Luxor beige	-UZ					
	991 555 203 10 OG6	Bordeaux red	-LZ					
(1)	991 555 203 10 6J0	Espresso	-NE	1	PR:9VL,537,098			
	991 555 203 10 JHB	Black/Dark Silver	-TD					
	991 555 203 10	Door panel trim (leather)	left lhd					
		two-colour						
	991 555 203 10 DTO	Black/Luxor Beige	-BT					
	991 555 203 10 GUG	Black/Bordeaux Red	-BM					
	991 555 203 10 GTG	Graphite Blue/Chalk	-BG,TG					
	991 555 203 10 GRG	Espresso/Cognac	-BY					
	991 555 204 10	Door panel trim (leather)	right rhd					
	(1)	991 555 204 10 A11	Black			-AZ	1	PR:9VL,538,099
991 555 204 10 OA1		agate grey	-FZ					
991 555 204 10 OH7		Graphite Blue	-HZ					
991 555 204 10 OK6		saddle brown	-SZ					
991 555 204 10 7J0		Luxor beige	-UZ					
991 555 204 10 OG6		Bordeaux red	-LZ					
991 555 204 10 6J0		Espresso	-NE					
991 555 204 10 JHB		Black/Dark Silver	-TD					
991 555 204 10		Door panel trim (leather)	right rhd					
		two-colour						
(1)	991 555 204 10 DTO	Black/Luxor Beige	-BT	1	PR:9VL,538,099			
	991 555 204 10 GUG	Black/Bordeaux Red	-BM					
	991 555 204 10 GTG	Graphite Blue/Chalk	-BG,TG					
	991 555 204 10 GRG	Espresso/Cognac	-BY					
	991 555 203 11	Door panel trim (leather)	left lhd					
	(1)	991 555 203 11 A11	Black			-AZ	1	PR:9VJ,537,098
		991 555 203 11 OA1	agate grey			-FZ		
		991 555 203 11 OH7	Graphite Blue			-HZ		
		991 555 203 11 OK6	saddle brown			-SZ		
		991 555 203 11 7J0	Luxor beige			-UZ		
991 555 203 11 OG6		Bordeaux red	-LZ					
991 555 203 11 6J0		Espresso	-NE					
991 555 203 11 JHB		Black/Dark Silver	-TD					
991 555 203 11		Door panel trim (leather)	left lhd					
		two-colour						
(1)	991 555 203 11 DTO	Black/Luxor Beige	-BT	1	PR:9VJ,537,098			
	991 555 203 11 GUG	Black/Bordeaux Red	-BM					
	991 555 203 11 GTG	Graphite Blue/Chalk	-BG,TG					
	991 555 203 11 GRG	Espresso/Cognac	-BY					
	991 555 204 11	Door panel trim (leather)	right rhd					
	(1)	991 555 204 11 A11	Black			-AZ	1	PR:9VJ,538,099
		991 555 204 11 OA1	agate grey			-FZ		
		991 555 204 11 OH7	Graphite Blue			-HZ		
		991 555 204 11 OK6	saddle brown			-SZ		
		991 555 204 11 7J0	Luxor beige			-UZ		
991 555 204 11 OG6		Bordeaux red	-LZ					
991 555 204 11 6J0		Espresso	-NE					

Model: 991-16 Model life 2017>>

Pos	Part Number	Description	Remark	Qty	Model
(1)	991 555 204 11 JHB	Black/Dark Silver	-TD		
	991 555 204 11	Door panel trim (leather)	right rhd	1	PR:9VJ,538,099
		two-colour			
	991 555 204 11 DTO	Black/Luxor Beige	-BT		
	991 555 204 11 GUG	Black/Bordeaux Red	-BM		
	991 555 204 11 GTG	Graphite Blue/Chalk	-BG,TG		
	991 555 204 11 GRG	Espresso/Cognac	-BY		
(1)	991 555 203 15	Door panel trim (leather)	left	1	PR:9VK,625
	991 555 203 15 A11	Black	-AZ		
	991 555 203 15 OA1	agate grey	-FZ		
	991 555 203 15 OH7	Graphite Blue	-HZ		
	991 555 203 15 OK6	saddle brown	-SZ		
	991 555 203 15 7J0	Luxor beige	-UZ		
	991 555 203 15 OG6	Bordeaux red	-LZ		
	991 555 203 15 6J0	Espresso	-NE		
	991 555 203 15 JHB	Black/Dark Silver	-TD		
(1)	991 555 203 15	Door panel trim (leather)	left	1	PR:9VK,625
		two-colour			
	991 555 203 15 DTO	Black/Luxor Beige	-BT		
	991 555 203 15 GUG	Black/Bordeaux Red	-BM		
	991 555 203 15 GTG	Graphite Blue/Chalk	-BG,TG		
	991 555 203 15 GRG	Espresso/Cognac	-BY		
(1)	991 555 204 15	Door panel trim (leather)	right	1	PR:9VK,625
	991 555 204 15 A11	Black	-AZ		
	991 555 204 15 OA1	agate grey	-FZ		
	991 555 204 15 OH7	Graphite Blue	-HZ		
	991 555 204 15 OK6	saddle brown	-SZ		
	991 555 204 15 7J0	Luxor beige	-UZ		
	991 555 204 15 OG6	Bordeaux red	-LZ		
	991 555 204 15 6J0	Espresso	-NE		
	991 555 204 15 JHB	Black/Dark Silver	-TD		
(1)	991 555 204 15	Door panel trim (leather)	right	1	PR:9VK,625
		two-colour			
	991 555 204 15 DTO	Black/Luxor Beige	-BT		
	991 555 204 15 GUG	Black/Bordeaux Red	-BM		
	991 555 204 15 GTG	Graphite Blue/Chalk	-BG,TG		
	991 555 204 15 GRG	Espresso/Cognac	-BY		
(1)	991 555 203 16	Door panel trim (leather)	left	1	PR:9VL,625
	991 555 203 16 A11	Black	-AZ		
	991 555 203 16 OA1	agate grey	-FZ		
	991 555 203 16 OH7	Graphite Blue	-HZ		
	991 555 203 16 OK6	saddle brown	-SZ		
	991 555 203 16 7J0	Luxor beige	-UZ		
	991 555 203 16 OG6	Bordeaux red	-LZ		
	991 555 203 16 6J0	Espresso	-NE		
	991 555 203 16 JHB	Black/Dark Silver	-TD		
(1)	991 555 203 16	Door panel trim (leather)	left	1	PR:9VL,625
		two-colour			
	991 555 203 16 DTO	Black/Luxor Beige	-BT		
	991 555 203 16 GUG	Black/Bordeaux Red	-BM		
	991 555 203 16 GTG	Graphite Blue/Chalk	-BG,TG		
	991 555 203 16 GRG	Espresso/Cognac	-BY		
(1)	991 555 204 16	Door panel trim (leather)	right	1	PR:9VL,625
	991 555 204 16 A11	Black	-AZ		
	991 555 204 16 OA1	agate grey	-FZ		
	991 555 204 16 OH7	Graphite Blue	-HZ		
	991 555 204 16 OK6	saddle brown	-SZ		
	991 555 204 16 7J0	Luxor beige	-UZ		
	991 555 204 16 OG6	Bordeaux red	-LZ		
	991 555 204 16 6J0	Espresso	-NE		
	991 555 204 16 JHB	Black/Dark Silver	-TD		
(1)	991 555 204 16	Door panel trim (leather)	right	1	PR:9VL,625

Model: 991-16 Model life 2017>>

Pos	Part Number	Description	Remark	Qty	Model
	991 555 204 16 DTO	two-colour Black/Luxor Beige	-BT		
	991 555 204 16 GUG	Black/Bordeaux Red	-BM		
	991 555 204 16 GTG	Graphite Blue/Chalk	-BG, TG		
	991 555 204 16 GRG	Espresso/Cognac	-BY		
(1)	991 555 203 17	Door panel trim (leather)	left	1	PR:9VJ,625
	991 555 203 17 A11	Black	-AZ		
	991 555 203 17 OA1	agate grey	-FZ		
	991 555 203 17 OH7	Graphite Blue	-HZ		
	991 555 203 17 OK6	saddle brown	-SZ		
	991 555 203 17 7J0	Luxor beige	-UZ		
	991 555 203 17 OG6	Bordeaux red	-LZ		
	991 555 203 17 6J0	Espresso	-NE		
	991 555 203 17 JHB	Black/Dark Silver	-TD		
(1)	991 555 203 17	Door panel trim (leather)	left	1	PR:9VJ,625
	991 555 203 17 DTO	two-colour Black/Luxor Beige	-BT		
	991 555 203 17 GUG	Black/Bordeaux Red	-BM		
	991 555 203 17 GTG	Graphite Blue/Chalk	-BG, TG		
	991 555 203 17 GRG	Espresso/Cognac	-BY		
(1)	991 555 204 17	Door panel trim (leather)	right	1	PR:9VJ,625
	991 555 204 17 A11	Black	-AZ		
	991 555 204 17 OA1	agate grey	-FZ		
	991 555 204 17 OH7	Graphite Blue	-HZ		
	991 555 204 17 OK6	saddle brown	-SZ		
	991 555 204 17 7J0	Luxor beige	-UZ		
	991 555 204 17 OG6	Bordeaux red	-LZ		
	991 555 204 17 6J0	Espresso	-NE		
	991 555 204 17 JHB	Black/Dark Silver	-TD		
(1)	991 555 204 17	Door panel trim (leather)	right	1	PR:9VJ,625
	991 555 204 17 DTO	two-colour Black/Luxor Beige	-BT		
	991 555 204 17 GUG	Black/Bordeaux Red	-BM		
	991 555 204 17 GTG	Graphite Blue/Chalk	-BG, TG		
	991 555 204 17 GRG	Espresso/Cognac	-BY		
(1)	991 555 203 21	Door panel trim (leather)	left lhd	1	PR:9VK,537, 625,098
	991 555 203 21 A11	Black	-AZ		
	991 555 203 21 OA1	agate grey	-FZ		
	991 555 203 21 OH7	Graphite Blue	-HZ		
	991 555 203 21 OK6	saddle brown	-SZ		
	991 555 203 21 7J0	Luxor beige	-UZ		
	991 555 203 21 OG6	Bordeaux red	-LZ		
	991 555 203 21 6J0	Espresso	-NE		
	991 555 203 21 JHB	Black/Dark Silver	-TD		
(1)	991 555 203 21	Door panel trim (leather)	left lhd	1	PR:9VK,537, 625,098
	991 555 203 21 DTO	two-colour Black/Luxor Beige	-BT		
	991 555 203 21 GUG	Black/Bordeaux Red	-BM		
	991 555 203 21 GTG	Graphite Blue/Chalk	-BG, TG		
	991 555 203 21 GRG	Espresso/Cognac	-BY		
(1)	991 555 204 21	Door panel trim (leather)	right rhd	1	PR:9VK,538, 625,099
	991 555 204 21 A11	Black	-AZ		
	991 555 204 21 OA1	agate grey	-FZ		
	991 555 204 21 OH7	Graphite Blue	-HZ		
	991 555 204 21 OK6	saddle brown	-SZ		
	991 555 204 21 7J0	Luxor beige	-UZ		
	991 555 204 21 OG6	Bordeaux red	-LZ		
	991 555 204 21 6J0	Espresso	-NE		
	991 555 204 21 JHB	Black/Dark Silver	-TD		
(1)	991 555 204 21	Door panel trim (leather)	right rhd	1	PR:9VK,538,

Model: 991-16

Model life 2017>>

Pos	Part Number	Description	Remark	Qty	Model
		two-colour			625,099
	991 555 204 21 DTO	Black/Luxor Beige	-BT		
	991 555 204 21 GUG	Black/Bordeaux Red	-BM		
	991 555 204 21 GTG	Graphite Blue/Chalk	-BG,TG		
	991 555 204 21 GRG	Espresso/Cognac	-BY		
(1)	991 555 203 22	Door panel trim (leather)	left lhd	1	PR:9VL,537,625,098
	991 555 203 22 A11	Black	-AZ		
	991 555 203 22 OA1	agate grey	-FZ		
	991 555 203 22 OH7	Graphite Blue	-HZ		
	991 555 203 22 OK6	saddle brown	-SZ		
	991 555 203 22 7J0	Luxor beige	-UZ		
	991 555 203 22 OG6	Bordeaux red	-LZ		
	991 555 203 22 6J0	Espresso	-NE		
	991 555 203 22 JHB	Black/Dark Silver	-TD		
(1)	991 555 203 22	Door panel trim (leather)	left lhd	1	PR:9VL,537,625,098
		two-colour			
	991 555 203 22 DTO	Black/Luxor Beige	-BT		
	991 555 203 22 GUG	Black/Bordeaux Red	-BM		
	991 555 203 22 GTG	Graphite Blue/Chalk	-BG,TG		
	991 555 203 22 GRG	Espresso/Cognac	-BY		
(1)	991 555 204 22	Door panel trim (leather)	right rhd	1	PR:9VL,538,625,099
	991 555 204 22 A11	Black	-AZ		
	991 555 204 22 OA1	agate grey	-FZ		
	991 555 204 22 OH7	Graphite Blue	-HZ		
	991 555 204 22 OK6	saddle brown	-SZ		
	991 555 204 22 7J0	Luxor beige	-UZ		
	991 555 204 22 OG6	Bordeaux red	-LZ		
	991 555 204 22 6J0	Espresso	-NE		
	991 555 204 22 JHB	Black/Dark Silver	-TD		
(1)	991 555 204 22	Door panel trim (leather)	right rhd	1	PR:9VL,538,625,099
		two-colour			
	991 555 204 22 DTO	Black/Luxor Beige	-BT		
	991 555 204 22 GUG	Black/Bordeaux Red	-BM		
	991 555 204 22 GTG	Graphite Blue/Chalk	-BG,TG		
	991 555 204 22 GRG	Espresso/Cognac	-BY		
(1)	991 555 203 23	Door panel trim (leather)	left lhd	1	PR:9VJ,537,625,098
	991 555 203 23 A11	Black	-AZ		
	991 555 203 23 OA1	agate grey	-FZ		
	991 555 203 23 OH7	Graphite Blue	-HZ		
	991 555 203 23 OK6	saddle brown	-SZ		
	991 555 203 23 7J0	Luxor beige	-UZ		
	991 555 203 23 OG6	Bordeaux red	-LZ		
	991 555 203 23 6J0	Espresso	-NE		
	991 555 203 23 JHB	Black/Dark Silver	-TD		
(1)	991 555 203 23	Door panel trim (leather)	left lhd	1	PR:9VJ,537,625,098
		two-colour			
	991 555 203 23 DTO	Black/Luxor Beige	-BT		
	991 555 203 23 GUG	Black/Bordeaux Red	-BM		
	991 555 203 23 GTG	Graphite Blue/Chalk	-BG,TG		
	991 555 203 23 GRG	Espresso/Cognac	-BY		
(1)	991 555 204 23	Door panel trim (leather)	right rhd	1	PR:9VJ,538,625,099
	991 555 204 23 A11	Black	-AZ		
	991 555 204 23 OA1	agate grey	-FZ		
	991 555 204 23 OH7	Graphite Blue	-HZ		
	991 555 204 23 OK6	saddle brown	-SZ		



Model: 991-16 Model life 2017>>

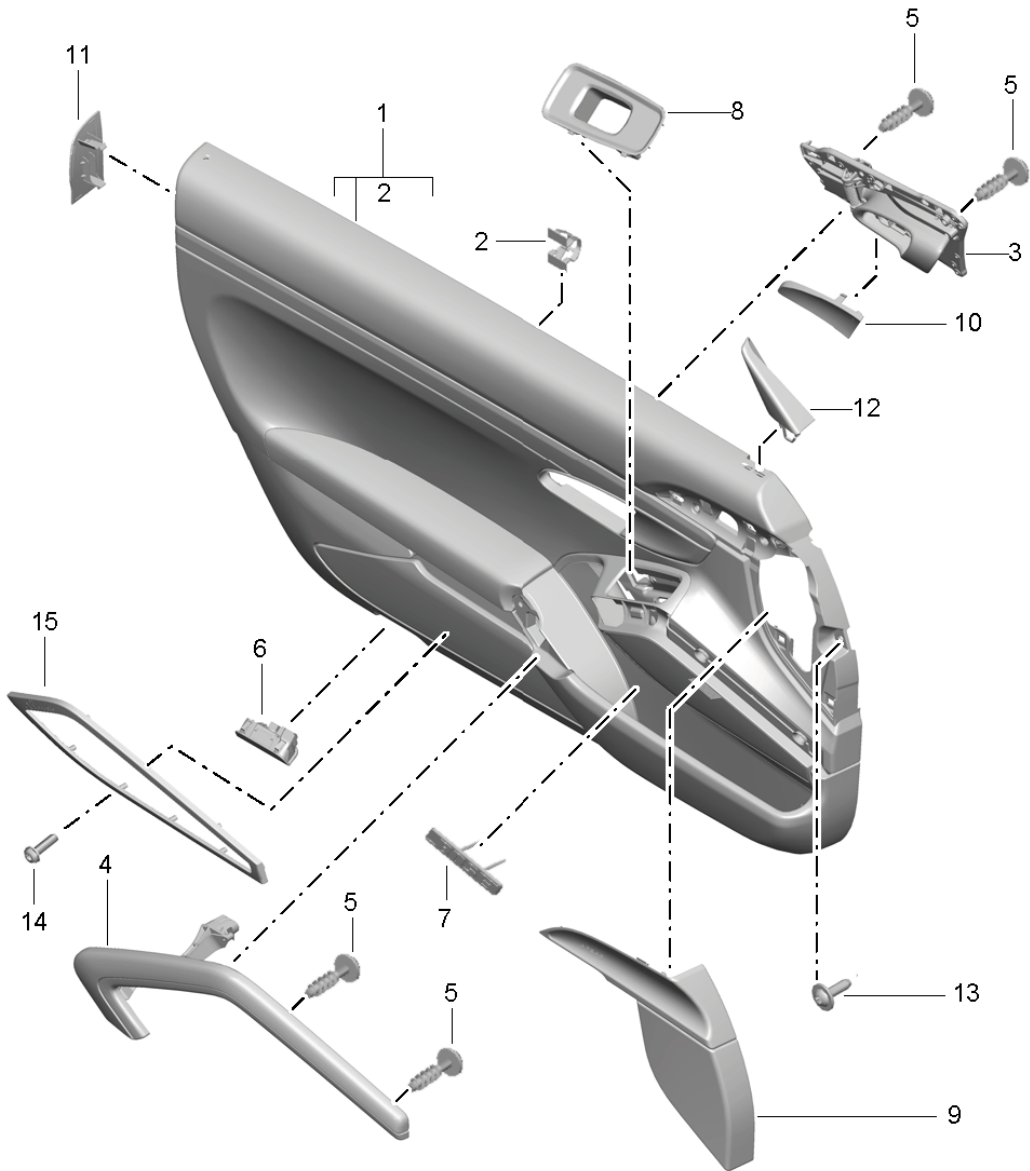
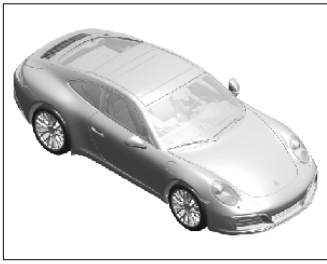
Pos	Part Number	Description	Remark	Qty	Model
(1)	991 555 204 23 7J0	Luxor beige	-UZ	1	PR:9VJ,538, 625,099
	991 555 204 23 OG6	Bordeaux red	-LZ		
	991 555 204 23 6J0	Espresso	-NE		
	991 555 204 23 JHB	Black/Dark Silver	-TD		
	991 555 204 23	Door panel trim (leather)	right rhd		
		two-colour			
	991 555 204 23 DTO	Black/Luxor Beige	-BT		
	991 555 204 23 GUG	Black/Bordeaux Red	-BM		
	991 555 204 23 GTG	Graphite Blue/Chalk	-BG,TG		
	991 555 204 23 GRG	Espresso/Cognac	-BY		
2	999 507 533 02	Clamp		4	
3	991 555 521 02	Inner actuator	left	1	
	991 555 521 02 V08	Galvano silver			
(3)	991 555 522 02	Inner actuator	right	1	
	991 555 522 02 V08	Galvano silver			
4	991 555 533 00	Pull handle	left	1	
		Leather			
(4)	991 555 533 00 A11	Black	-AZ	1	
	991 555 533 00 OA1	agate grey	-FZ		
	991 555 533 00 OH7	Graphite Blue	-HZ		
	991 555 533 00 OK6	saddle brown	-SZ		
	991 555 533 00 7J0	Luxor beige	-UZ,BT		
	991 555 533 00 OG6	Bordeaux red	-LZ,BM		
	991 555 533 00 OL8	Chalk	-BG,TG		
	991 555 533 00 6J0	Espresso	-NE		
	991 555 533 00 7F0	Cognac	-BY		
	991 555 533 00 JHB	Black/Dark Silver	-TD		
	991 555 534 00	Pull handle (leather)	right		
	991 555 534 00 A11	Black	-AZ		
	991 555 534 00 OA1	agate grey	-FZ		
	991 555 534 00 OH7	Graphite Blue	-HZ		
	991 555 534 00 OK6	saddle brown	-SZ		
	991 555 534 00 7J0	Luxor beige	-UZ,BT		
	991 555 534 00 OG6	Bordeaux red	-LZ,BM		
991 555 534 00 OL8	Chalk	-BG,TG			
991 555 534 00 6J0	Espresso	-NE			
991 555 534 00 7F0	Cognac	-BY			
991 555 534 00 JHB	Black/Dark Silver	-TD			
5	999 919 262 01	fillister hd. bolt		9	
6	1K0 947 419 A	rear light reflector		2	
7	7PP 945 699	inscription		2	
8		Bose		1	
	991 555 723 02	Mounting frame			
9		Switch		1	
	991 555 723 02 1E0	Black			
	991 555 721 02	Cover	left	1	
(9)			front	1	
	991 555 721 02 5Q0	Black	-AZ,BT,BM,TD		
	991 555 721 02 OA6	agate grey	-FZ		
	991 555 721 02 OH7	Graphite Blue	-HZ,BG,TG		
	991 555 721 02 OL7	saddle brown	-SZ		
	991 555 721 02 6W0	Luxor beige	-UZ		
	991 555 721 02 OG6	Bordeaux red	-LZ		
	991 555 721 02 3T0	Espresso	-NE,BY		
	991 555 722 02	Cover	right		
			front		
	991 555 722 02 5Q0	Black	-AZ,BT,BM,TD	1	
	991 555 722 02 OA6	agate grey	-FZ		
	991 555 722 02 OH7	Graphite Blue	-HZ,BG,TG		
	991 555 722 02 OL7	saddle brown	-SZ		

Model: 991-16 Model life 2017>>

Pos	Part Number	Description	Remark	Qty	Model	
10	991 555 722 02 6W0	Luxor beige	-UZ	1		
	991 555 722 02 OG6	Bordeaux red	-LZ			
	991 555 722 02 3T0	Espresso	-NE,BY			
	7PP 837 247	Cover panel	left			
(10)	7PP 837 247 1E0	Inner actuator		1		
	7PP 837 248	Black	right			
11	7PP 837 248 1E0	Cover panel		1		
	991 555 683 01	Inner actuator				
	991 555 683 01	Black	left			
	991 555 683 01 5Q0	cover for airbag	-AZ,BT,BM,TD			
	991 555 683 01 OA6	Black	-FZ			
	991 555 683 01 OH7	agate grey	-HZ,BG,TG			
	991 555 683 01 OL7	Graphite Blue	-SZ			
	991 555 683 01 6W0	saddle brown	-UZ			
	991 555 683 01 OG6	Luxor beige	-LZ			
	991 555 683 01 3T0	Bordeaux red	-NE,BY			
	(11)	991 555 684 01	Espresso			right
12	991 555 684 01 5Q0	cover for airbag	-AZ,BT,BM,TD	1		
	991 555 684 01 OA6	Black	-FZ			
	991 555 684 01 OH7	agate grey	-HZ,BG,TG			
	991 555 684 01 OL7	Graphite Blue	-SZ			
	991 555 684 01 6W0	saddle brown	-UZ			
	991 555 684 01 OG6	Luxor beige	-LZ			
	991 555 684 01 3T0	Bordeaux red	-NE,BY			
	991 555 741 00	Espresso	left			
	(12)	991 555 741 00 1E0	Cover panel			
		991 555 742 00	window frame			right
13	991 555 742 00 1E0	Cover panel		8		
	999 073 322 02	Black				
14	999 919 203 07	fillister hd. bolt		10		
		M 6 X 20				
15	999 919 203 07	fillister hd. bolt		1	PR:9VJ	
		M 3 X 10	left			
(15)	991 555 581 00	decorative frame		1	PR:9VJ	
	991 555 581 00 V08	Loudspeaker trim				
	991 555 582 00	Galvano silver	right			
	991 555 582 00 V08	decorative frame				
	991 555 582 00 V08	Loudspeaker trim				
	991 555 582 00 V08	Galvano silver				

Model: 991-16

Model life 2017>>



Model: 991-16 Model life 2017>>

Pos	Part Number	Description	Remark	Qty	Model
		door panel Accessories Leather			PR:815,981
(1)	991 555 203 74	Door panel trim (leather)	left	1	PR:9VK,-537, -625
	991 555 203 74 A11	Black	-AZ		
	991 555 203 74 OA1	agate grey	-FZ		
	991 555 203 74 OH7	Graphite Blue	-HZ		
	991 555 203 74 OK6	saddle brown	-SZ		
	991 555 203 74 7J0	Luxor beige	-UZ		
	991 555 203 74 OG6	Bordeaux red	-LZ		
	991 555 203 74 6J0	Espresso	-NE		
	991 555 203 74 JHB	Black/Dark Silver	-TD		
(1)	991 555 203 74	Door panel trim (leather)	left	1	PR:9VK,-537, -625
		two-colour			
	991 555 203 74 DTO	Black/Luxor Beige	-BT		
	991 555 203 74 GUG	Black/Bordeaux Red	-BM		
	991 555 203 74 GTG	Graphite Blue/Chalk	-BG,TG		
	991 555 203 74 GRG	Espresso/Cognac	-BY		
(1)	991 555 204 74	Door panel trim (leather)	right	1	PR:9VK,-538, -625
	991 555 204 74 A11	Black	-AZ		
	991 555 204 74 OA1	agate grey	-FZ		
	991 555 204 74 OH7	Graphite Blue	-HZ		
	991 555 204 74 OK6	saddle brown	-SZ		
	991 555 204 74 7J0	Luxor beige	-UZ		
	991 555 204 74 OG6	Bordeaux red	-LZ		
	991 555 204 74 6J0	Espresso	-NE		
	991 555 204 74 JHB	Black/Dark Silver	-TD		
(1)	991 555 204 74	Door panel trim (leather)	right	1	PR:9VK,-538, -625
		two-colour			
	991 555 204 74 DTO	Black/Luxor Beige	-BT		
	991 555 204 74 GUG	Black/Bordeaux Red	-BM		
	991 555 204 74 GTG	Graphite Blue/Chalk	-BG,TG		
	991 555 204 74 GRG	Espresso/Cognac	-BY		
(1)	991 555 203 75	Door panel trim (leather)	left	1	PR:9VL,-537, -625
	991 555 203 75 A11	Black	-AZ		
	991 555 203 75 OA1	agate grey	-FZ		
	991 555 203 75 OH7	Graphite Blue	-HZ		
	991 555 203 75 OK6	saddle brown	-SZ		
	991 555 203 75 7J0	Luxor beige	-UZ		
	991 555 203 75 OG6	Bordeaux red	-LZ		
	991 555 203 75 6J0	Espresso	-NE		
	991 555 203 75 JHB	Black/Dark Silver	-TD		
(1)	991 555 203 75	Door panel trim (leather)	left	1	PR:9VL,-537, -625
		two-colour			
	991 555 203 75 DTO	Black/Luxor Beige	-BT		
	991 555 203 75 GUG	Black/Bordeaux Red	-BM		
	991 555 203 75 GTG	Graphite Blue/Chalk	-BG,TG		
	991 555 203 75 GRG	Espresso/Cognac	-BY		
(1)	991 555 204 75	Door panel trim (leather)	right	1	PR:9VL,-538, -625
	991 555 204 75 A11	Black	-AZ		
	991 555 204 75 OA1	agate grey	-FZ		
	991 555 204 75 OH7	Graphite Blue	-HZ		
	991 555 204 75 OK6	saddle brown	-SZ		
	991 555 204 75 7J0	Luxor beige	-UZ		
	991 555 204 75 OG6	Bordeaux red	-LZ		
	991 555 204 75 6J0	Espresso	-NE		

Model: 991-16 Model life 2017>>

Pos	Part Number	Description	Remark	Qty	Model
(1)	991 555 204 75 JHB 991 555 204 75	Black/Dark Silver Door panel trim (leather)	-TD right	1	PR:9VL,-538, -625
		two-colour			
	991 555 204 75 DTO	Black/Luxor Beige	-BT		
	991 555 204 75 GUG	Black/Bordeaux Red	-BM		
	991 555 204 75 GTG	Graphite Blue/Chalk	-BG,TG		
	991 555 204 75 GRG	Espresso/Cognac	-BY		
(1)	991 555 203 76	Door panel trim (leather)	left	1	PR:9VJ,-537, -625
	991 555 203 76 A11	Black	-AZ		
	991 555 203 76 OA1	agate grey	-FZ		
	991 555 203 76 OH7	Graphite Blue	-HZ		
	991 555 203 76 OK6	saddle brown	-SZ		
	991 555 203 76 7J0	Luxor beige	-UZ		
	991 555 203 76 OG6	Bordeaux red	-LZ		
	991 555 203 76 6J0	Espresso	-NE		
(1)	991 555 203 76 JHB 991 555 203 76	Black/Dark Silver Door panel trim (leather)	-TD left	1	PR:9VJ,-537, -625
		two-colour			
	991 555 203 76 DTO	Black/Luxor Beige	-BT		
	991 555 203 76 GUG	Black/Bordeaux Red	-BM		
	991 555 203 76 GTG	Graphite Blue/Chalk	-BG,TG		
	991 555 203 76 GRG	Espresso/Cognac	-BY		
(1)	991 555 204 76	Door panel trim (leather)	right	1	PR:9VJ,-538, -625
	991 555 204 76 A11	Black	-AZ		
	991 555 204 76 OA1	agate grey	-FZ		
	991 555 204 76 OH7	Graphite Blue	-HZ		
	991 555 204 76 OK6	saddle brown	-SZ		
	991 555 204 76 7J0	Luxor beige	-UZ		
	991 555 204 76 OG6	Bordeaux red	-LZ		
	991 555 204 76 6J0	Espresso	-NE		
(1)	991 555 204 76 JHB 991 555 204 76	Black/Dark Silver Door panel trim (leather)	-TD right	1	PR:9VJ,-538, -625
		two-colour			
	991 555 204 76 DTO	Black/Luxor Beige	-BT		
	991 555 204 76 GUG	Black/Bordeaux Red	-BM		
	991 555 204 76 GTG	Graphite Blue/Chalk	-BG,TG		
	991 555 204 76 GRG	Espresso/Cognac	-BY		
(1)	991 555 203 77	Door panel trim (leather)	left lhd	1	PR:9VK,537, -625,098
	991 555 203 77 A11	Black	-AZ		
	991 555 203 77 OA1	agate grey	-FZ		
	991 555 203 77 OH7	Graphite Blue	-HZ		
	991 555 203 77 OK6	saddle brown	-SZ		
	991 555 203 77 7J0	Luxor beige	-UZ		
	991 555 203 77 OG6	Bordeaux red	-LZ		
	991 555 203 77 6J0	Espresso	-NE		
(1)	991 555 203 77 JHB 991 555 203 77	Black/Dark Silver Door panel trim (leather)	-TD left lhd	1	PR:9VK,537, -625,098
		two-colour			
	991 555 203 77 DTO	Black/Luxor Beige	-BT		
	991 555 203 77 GUG	Black/Bordeaux Red	-BM		
	991 555 203 77 GTG	Graphite Blue/Chalk	-BG,TG		
	991 555 203 77 GRG	Espresso/Cognac	-BY		
(1)	991 555 204 77	Door panel trim (leather)	right rhd	1	PR:9VK,538, -625,099
	991 555 204 77 A11	Black	-AZ		
	991 555 204 77 OA1	agate grey	-FZ		

Model: 991-16 Model life 2017>>

Pos	Part Number	Description	Remark	Qty	Model
	991 555 204 77 OH7	Graphite Blue	-HZ		
	991 555 204 77 OK6	saddle brown	-SZ		
	991 555 204 77 7J0	Luxor beige	-UZ		
	991 555 204 77 OG6	Bordeaux red	-LZ		
	991 555 204 77 6J0	Espresso	-NE		
	991 555 204 77 JHB	Black/Dark Silver	-TD		
(1)	991 555 204 77	Door panel trim (leather)	right rhd	1	PR:9VK,538, -625,099
		two-colour			
	991 555 204 77 DTO	Black/Luxor Beige	-BT		
	991 555 204 77 GUG	Black/Bordeaux Red	-BM		
	991 555 204 77 GTG	Graphite Blue/Chalk	-BG,TG		
	991 555 204 77 GRG	Espresso/Cognac	-BY		
(1)	991 555 203 78	Door panel trim (leather)	left lhd	1	PR:9VL,537, -625,098
	991 555 203 78 A11	Black	-AZ		
	991 555 203 78 OA1	agate grey	-FZ		
	991 555 203 78 OH7	Graphite Blue	-HZ		
	991 555 203 78 OK6	saddle brown	-SZ		
	991 555 203 78 7J0	Luxor beige	-UZ		
	991 555 203 78 OG6	Bordeaux red	-LZ		
	991 555 203 78 6J0	Espresso	-NE		
	991 555 203 78 JHB	Black/Dark Silver	-TD		
(1)	991 555 203 78	Door panel trim (leather)	left lhd	1	PR:9VL,537, -625,098
		two-colour			
	991 555 203 78 DTO	Black/Luxor Beige	-BT		
	991 555 203 78 GUG	Black/Bordeaux Red	-BM		
	991 555 203 78 GTG	Graphite Blue/Chalk	-BG,TG		
	991 555 203 78 GRG	Espresso/Cognac	-BY		
(1)	991 555 204 78	Door panel trim (leather)	right rhd	1	PR:9VL,538, -625,099
	991 555 204 78 A11	Black	-AZ		
	991 555 204 78 OA1	agate grey	-FZ		
	991 555 204 78 OH7	Graphite Blue	-HZ		
	991 555 204 78 OK6	saddle brown	-SZ		
	991 555 204 78 7J0	Luxor beige	-UZ		
	991 555 204 78 OG6	Bordeaux red	-LZ		
	991 555 204 78 6J0	Espresso	-NE		
	991 555 204 78 JHB	Black/Dark Silver	-TD		
(1)	991 555 204 78	Door panel trim (leather)	right rhd	1	PR:9VL,538, -625,099
		two-colour			
	991 555 204 78 DTO	Black/Luxor Beige	-BT		
	991 555 204 78 GUG	Black/Bordeaux Red	-BM		
	991 555 204 78 GTG	Graphite Blue/Chalk	-BG,TG		
	991 555 204 78 GRG	Espresso/Cognac	-BY		
(1)	991 555 203 79	Door panel trim (leather)	left lhd	1	PR:9VJ,537, -625,098
	991 555 203 79 A11	Black	-AZ		
	991 555 203 79 OA1	agate grey	-FZ		
	991 555 203 79 OH7	Graphite Blue	-HZ		
	991 555 203 79 OK6	saddle brown	-SZ		
	991 555 203 79 7J0	Luxor beige	-UZ		
	991 555 203 79 OG6	Bordeaux red	-LZ		
	991 555 203 79 6J0	Espresso	-NE		
	991 555 203 79 JHB	Black/Dark Silver	-TD		
(1)	991 555 203 79	Door panel trim (leather)	left lhd	1	PR:9VJ,537, -625,098
		two-colour			
	991 555 203 79 DTO	Black/Luxor Beige	-BT		
	991 555 203 79 GUG	Black/Bordeaux Red	-BM		
	991 555 203 79 GTG	Graphite Blue/Chalk	-BG,TG		

Model: 991-16 Model life 2017>>

Pos	Part Number	Description	Remark	Qty	Model
(1)	991 555 203 79 GRG	Espresso/Cognac	-BY		
	991 555 204 79	Door panel trim (leather)	right rhd	1	PR:9VJ,538, -625,099
	991 555 204 79 A11	Black	-AZ		
	991 555 204 79 OA1	agate grey	-FZ		
	991 555 204 79 OH7	Graphite Blue	-HZ		
	991 555 204 79 OK6	saddle brown	-SZ		
	991 555 204 79 7J0	Luxor beige	-UZ		
	991 555 204 79 OG6	Bordeaux red	-LZ		
	991 555 204 79 6J0	Espresso	-NE		
	991 555 204 79 JHB	Black/Dark Silver	-TD		
(1)	991 555 204 79	Door panel trim (leather)	right rhd	1	PR:9VJ,538, -625,099
		two-colour			
	991 555 204 79 DTO	Black/Luxor Beige	-BT		
	991 555 204 79 GUG	Black/Bordeaux Red	-BM		
	991 555 204 79 GTG	Graphite Blue/Chalk	-BG,TG		
	991 555 204 79 GRG	Espresso/Cognac	-BY		
(1)	991 555 203 80	Door panel trim (leather)	left	1	PR:9VK,625, -537
	991 555 203 80 A11	Black	-AZ		
	991 555 203 80 OA1	agate grey	-FZ		
	991 555 203 80 OH7	Graphite Blue	-HZ		
	991 555 203 80 OK6	saddle brown	-SZ		
	991 555 203 80 7J0	Luxor beige	-UZ		
	991 555 203 80 OG6	Bordeaux red	-LZ		
	991 555 203 80 6J0	Espresso	-NE		
	991 555 203 80 JHB	Black/Dark Silver	-TD		
(1)	991 555 203 80	Door panel trim (leather)	left	1	PR:9VK,625, -537
		two-colour			
	991 555 203 80 DTO	Black/Luxor Beige	-BT		
	991 555 203 80 GUG	Black/Bordeaux Red	-BM		
	991 555 203 80 GTG	Graphite Blue/Chalk	-BG,TG		
	991 555 203 80 GRG	Espresso/Cognac	-BY		
(1)	991 555 204 80	Door panel trim (leather)	right	1	PR:9VK,625, -538
	991 555 204 80 A11	Black	-AZ		
	991 555 204 80 OA1	agate grey	-FZ		
	991 555 204 80 OH7	Graphite Blue	-HZ		
	991 555 204 80 OK6	saddle brown	-SZ		
	991 555 204 80 7J0	Luxor beige	-UZ		
	991 555 204 80 OG6	Bordeaux red	-LZ		
	991 555 204 80 6J0	Espresso	-NE		
	991 555 204 80 JHB	Black/Dark Silver	-TD		
(1)	991 555 204 80	Door panel trim (leather)	right	1	PR:9VK,625, -538
		two-colour			
	991 555 204 80 DTO	Black/Luxor Beige	-BT		
	991 555 204 80 GUG	Black/Bordeaux Red	-BM		
	991 555 204 80 GTG	Graphite Blue/Chalk	-BG,TG		
	991 555 204 80 GRG	Espresso/Cognac	-BY		
(1)	991 555 203 81	Door panel trim (leather)	left	1	PR:9VL,680, -537
	991 555 203 81 A11	Black	-AZ		
	991 555 203 81 OA1	agate grey	-FZ		
	991 555 203 81 OH7	Graphite Blue	-HZ		
	991 555 203 81 OK6	saddle brown	-SZ		
	991 555 203 81 7J0	Luxor beige	-UZ		
	991 555 203 81 OG6	Bordeaux red	-LZ		
	991 555 203 81 6J0	Espresso	-NE		
	991 555 203 81 JHB	Black/Dark Silver	-TD		
(1)	991 555 203 81	Door panel trim (leather)	left	1	PR:9VL,625,

Model: 991-16

Model life 2017>>

Pos	Part Number	Description	Remark	Qty	Model
		two-colour			-537
	991 555 203 81 DTO	Black/Luxor Beige	-BT		
	991 555 203 81 GUG	Black/Bordeaux Red	-BM		
	991 555 203 81 GTG	Graphite Blue/Chalk	-BG,TG		
	991 555 203 81 GRG	Espresso/Cognac	-BY		
(1)	991 555 204 81	Door panel trim (leather)	right	1	PR:9VL,625, -538
	991 555 204 81 A11	Black	-AZ		
	991 555 204 81 OA1	agate grey	-FZ		
	991 555 204 81 OH7	Graphite Blue	-HZ		
	991 555 204 81 OK6	saddle brown	-SZ		
	991 555 204 81 7J0	Luxor beige	-UZ		
	991 555 204 81 OG6	Bordeaux red	-LZ		
	991 555 204 81 6J0	Espresso	-NE		
	991 555 204 81 JHB	Black/Dark Silver	-TD		
(1)	991 555 204 81	Door panel trim (leather)	right	1	PR:9VL,625, -538
		two-colour			
	991 555 204 81 DTO	Black/Luxor Beige	-BT		
	991 555 204 81 GUG	Black/Bordeaux Red	-BM		
	991 555 204 81 GTG	Graphite Blue/Chalk	-BG,TG		
	991 555 204 81 GRG	Espresso/Cognac	-BY		
(1)	991 555 203 82	Door panel trim (leather)	left	1	PR:9VJ,625, -537
	991 555 203 82 A11	Black	-AZ		
	991 555 203 82 OA1	agate grey	-FZ		
	991 555 203 82 OH7	Graphite Blue	-HZ		
	991 555 203 82 OK6	saddle brown	-SZ		
	991 555 203 82 7J0	Luxor beige	-UZ		
	991 555 203 82 OG6	Bordeaux red	-LZ		
	991 555 203 82 6J0	Espresso	-NE		
	991 555 203 82 JHB	Black/Dark Silver	-TD		
(1)	991 555 203 82	Door panel trim (leather)	left	1	PR:9VJ,625, -537
		two-colour			
	991 555 203 82 DTO	Black/Luxor Beige	-BT		
	991 555 203 82 GUG	Black/Bordeaux Red	-BM		
	991 555 203 82 GTG	Graphite Blue/Chalk	-BG,TG		
	991 555 203 82 GRG	Espresso/Cognac	-BY		
(1)	991 555 204 82	Door panel trim (leather)	right	1	PR:9VJ,625, -538
	991 555 204 82 A11	Black	-AZ		
	991 555 204 82 OA1	agate grey	-FZ		
	991 555 204 82 OH7	Graphite Blue	-HZ		
	991 555 204 82 OK6	saddle brown	-SZ		
	991 555 204 82 7J0	Luxor beige	-UZ		
	991 555 204 82 OG6	Bordeaux red	-LZ		
	991 555 204 82 6J0	Espresso	-NE		
	991 555 204 82 JHB	Black/Dark Silver	-TD		
(1)	991 555 204 82	Door panel trim (leather)	right	1	PR:9VJ,625, -538
		two-colour			
	991 555 204 82 DTO	Black/Luxor Beige	-BT		
	991 555 204 82 GUG	Black/Bordeaux Red	-BM		
	991 555 204 82 GTG	Graphite Blue/Chalk	-BG,TG		
	991 555 204 82 GRG	Espresso/Cognac	-BY		
(1)	991 555 203 83	Door panel trim (leather)	left lhd	1	PR:9VK,537, 625,098
	991 555 203 83 A11	Black	-AZ		
	991 555 203 83 OA1	agate grey	-FZ		
	991 555 203 83 OH7	Graphite Blue	-HZ		
	991 555 203 83 OK6	saddle brown	-SZ		



Model: 991-16 Model life 2017>>

Pos	Part Number	Description	Remark	Qty	Model
	991 555 203 83 7J0	Luxor beige	-UZ		
	991 555 203 83 OG6	Bordeaux red	-LZ		
	991 555 203 83 6J0	Espresso	-NE		
	991 555 203 83 JHB	Black/Dark Silver	-TD		
(1)	991 555 203 83	Door panel trim (leather)	left lhd	1	PR:9VK,537, 625,098
		two-colour			
	991 555 203 83 DTO	Black/Luxor Beige	-BT		
	991 555 203 83 GUG	Black/Bordeaux Red	-BM		
	991 555 203 83 GTG	Graphite Blue/Chalk	-BG,TG		
	991 555 203 83 GRG	Espresso/Cognac	-BY		
(1)	991 555 204 83	Door panel trim (leather)	right rhd	1	PR:9VK,538, 625,099
	991 555 204 83 A11	Black	-AZ		
	991 555 204 83 OA1	agate grey	-FZ		
	991 555 204 83 OH7	Graphite Blue	-HZ		
	991 555 204 83 OK6	saddle brown	-SZ		
	991 555 204 83 7J0	Luxor beige	-UZ		
	991 555 204 83 OG6	Bordeaux red	-LZ		
	991 555 204 83 6J0	Espresso	-NE		
	991 555 204 83 JHB	Black/Dark Silver	-TD		
(1)	991 555 204 83	Door panel trim (leather)	right rhd	1	PR:9VK,538, 625,099
		two-colour			
	991 555 204 83 DTO	Black/Luxor Beige	-BT		
	991 555 204 83 GUG	Black/Bordeaux Red	-BM		
	991 555 204 83 GTG	Graphite Blue/Chalk	-BG,TG		
	991 555 204 83 GRG	Espresso/Cognac	-BY		
(1)	991 555 203 84	Door panel trim (leather)	left lhd	1	PR:9VL,537, 625,098
	991 555 203 84 A11	Black	-AZ		
	991 555 203 84 OA1	agate grey	-FZ		
	991 555 203 84 OH7	Graphite Blue	-HZ		
	991 555 203 84 OK6	saddle brown	-SZ		
	991 555 203 84 7J0	Luxor beige	-UZ		
	991 555 203 84 OG6	Bordeaux red	-LZ		
	991 555 203 84 6J0	Espresso	-NE		
	991 555 203 84 JHB	Black/Dark Silver	-TD		
(1)	991 555 203 84	Door panel trim (leather)	left lhd	1	PR:9VL,537, 625,098
		two-colour			
	991 555 203 84 DTO	Black/Luxor Beige	-BT		
	991 555 203 84 GUG	Black/Bordeaux Red	-BM		
	991 555 203 84 GTG	Graphite Blue/Chalk	-BG,TG		
	991 555 203 84 GRG	Espresso/Cognac	-BY		
(1)	991 555 204 84	Door panel trim (leather)	right rhd	1	PR:9VL,538, 625,099
	991 555 204 84 A11	Black	-AZ		
	991 555 204 84 OA1	agate grey	-FZ		
	991 555 204 84 OH7	Graphite Blue	-HZ		
	991 555 204 84 OK6	saddle brown	-SZ		
	991 555 204 84 7J0	Luxor beige	-UZ		
	991 555 204 84 OG6	Bordeaux red	-LZ		
	991 555 204 84 6J0	Espresso	-NE		
	991 555 204 84 JHB	Black/Dark Silver	-TD		
(1)	991 555 204 84	Door panel trim (leather)	right rhd	1	PR:9VL,538, 625,099
		two-colour			
	991 555 204 84 DTO	Black/Luxor Beige	-BT		
	991 555 204 84 GUG	Black/Bordeaux Red	-BM		
	991 555 204 84 GTG	Graphite Blue/Chalk	-BG,TG		
	991 555 204 84 GRG	Espresso/Cognac	-BY		
(1)	991 555 203 85	Door panel trim (leather)	left lhd	1	PR:9VJ,537,

Model: 991-16 Model life 2017>>

Pos	Part Number	Description	Remark	Qty	Model
	991 555 203 85 A11	Black	-AZ		625,098
	991 555 203 85 OA1	agate grey	-FZ		
	991 555 203 85 OH7	Graphite Blue	-HZ		
	991 555 203 85 OK6	saddle brown	-SZ		
	991 555 203 85 7J0	Luxor beige	-UZ		
	991 555 203 85 OG6	Bordeaux red	-LZ		
	991 555 203 85 6J0	Espresso	-NE		
	991 555 203 85 JHB	Black/Dark Silver	-TD		
(1)	991 555 203 85	Door panel trim (leather)	left lhd	1	PR:9VJ,537, 625,098
		two-colour			
	991 555 203 85 DTO	Black/Luxor Beige	-BT		
	991 555 203 85 GUG	Black/Bordeaux Red	-BM		
	991 555 203 85 GTG	Graphite Blue/Chalk	-BG,TG		
	991 555 203 85 GRG	Espresso/Cognac	-BY		
(1)	991 555 204 85	Door panel trim (leather)	right rhd	1	PR:9VJ,538, 625,099
	991 555 204 85 A11	Black	-AZ		
	991 555 204 85 OA1	agate grey	-FZ		
	991 555 204 85 OH7	Graphite Blue	-HZ		
	991 555 204 85 OK6	saddle brown	-SZ		
	991 555 204 85 7J0	Luxor beige	-UZ		
	991 555 204 85 OG6	Bordeaux red	-LZ		
	991 555 204 85 6J0	Espresso	-NE		
	991 555 204 85 JHB	Black/Dark Silver	-TD		
(1)	991 555 204 85	Door panel trim (leather)	right rhd	1	PR:9VJ,538, 625,099
		two-colour			
	991 555 204 85 DTO	Black/Luxor Beige	-BT		
	991 555 204 85 GUG	Black/Bordeaux Red	-BM		
	991 555 204 85 GTG	Graphite Blue/Chalk	-BG,TG		
	991 555 204 85 GRG	Espresso/Cognac	-BY		
2	999 507 533 02	Clamp		4	
		8,0 X 10,0 /2,5			
(3)	991 555 521 02	Inner actuator	left	1	
		with:			
	991 555 521 02 V08	Sensor Galvano silver			
(3)	991 555 522 02	Inner actuator	right	1	
		with:			
	991 555 522 02 V08	Sensor Galvano silver			
4	991 555 533 00	Pull handle	left	1	
		Leather			
	991 555 533 00 A11	Black	-AZ		
	991 555 533 00 OA1	agate grey	-FZ		
	991 555 533 00 OH7	Graphite Blue	-HZ		
	991 555 533 00 OK6	saddle brown	-SZ		
	991 555 533 00 7J0	Luxor beige	-UZ,BT		
	991 555 533 00 OG6	Bordeaux red	-LZ,BM		
	991 555 533 00 OL8	Chalk	-BG,TG		
	991 555 533 00 6J0	Espresso	-NE		
	991 555 533 00 7F0	Cognac	-BY		
	991 555 533 00 JHB	Black/Dark Silver	-TD		
(4)	991 555 534 00	Pull handle (leather)	right	1	
	991 555 534 00 A11	Black	-AZ		
	991 555 534 00 OA1	agate grey	-FZ		
	991 555 534 00 OH7	Graphite Blue	-HZ		
	991 555 534 00 OK6	saddle brown	-SZ		
	991 555 534 00 7J0	Luxor beige	-UZ,BT		
	991 555 534 00 OG6	Bordeaux red	-LZ,BM		
	991 555 534 00 OL8	Chalk	-BG,TG		

Model: 991-16 Model life 2017>>

Pos	Part Number	Description	Remark	Qty	Model
5	991 555 534 00 6J0	Espresso	-NE	9	
	991 555 534 00 7F0	Cognac	-BY		
	991 555 534 00 JHB	Black/Dark Silver	-TD		
	999 919 262 01	fillister hd. bolt 4,0 X 16,0			
6	970 632 135 00	Door warning light		2	
7	7PP 945 699	inscription Bose		2	
8	991 555 723 02	Mounting frame Switch (passenger side)		1	
(9)	991 555 723 02 1E0	Black		1	
	991 555 721 02	Cover	left		
			front		
	991 555 721 02 5Q0	Black	-AZ, BT, BM, TD		
	991 555 721 02 OA6	agate grey	-FZ		
	991 555 721 02 OH7	Graphite Blue	-HZ, BG, TG		
	991 555 721 02 OL7	saddle brown	-SZ		
	991 555 721 02 6W0	Luxor beige	-UZ		
	991 555 721 02 OG6	Bordeaux red	-LZ		
	991 555 721 02 3T0	Espresso	-NE, BY		
	991 555 722 02	Cover	right		
			front		
	991 555 722 02 5Q0	Black	-AZ, BT, BM, TD		
	991 555 722 02 OA6	agate grey	-FZ		
	991 555 722 02 OH7	Graphite Blue	-HZ, BG, TG		
	991 555 722 02 OL7	saddle brown	-SZ		
991 555 722 02 6W0	Luxor beige	-UZ			
991 555 722 02 OG6	Bordeaux red	-LZ			
991 555 722 02 3T0	Espresso	-NE, BY			
10	7PP 837 247	Cover panel Inner actuator	left	1	
(10)	7PP 837 247 1E0	Black		1	
	7PP 837 248	Cover panel Inner actuator	right		
7PP 837 248 1E0	Black				
11	991 555 683 01	cover for airbag	left	1	
(11)	991 555 683 01 5Q0	Black	-AZ, BT, BM, TD	1	
	991 555 683 01 OA6	agate grey	-FZ		
	991 555 683 01 OH7	Graphite Blue	-HZ, BG, TG		
	991 555 683 01 OL7	saddle brown	-SZ		
	991 555 683 01 6W0	Luxor beige	-UZ		
	991 555 683 01 OG6	Bordeaux red	-LZ		
	991 555 683 01 3T0	Espresso	-NE, BY		
	991 555 684 01	cover for airbag	right		
	991 555 684 01 5Q0	Black	-AZ, BT, BM, TD		
	991 555 684 01 OA6	agate grey	-FZ		
	991 555 684 01 OH7	Graphite Blue	-HZ, BG, TG		
	991 555 684 01 OL7	saddle brown	-SZ		
	991 555 684 01 6W0	Luxor beige	-UZ		
	991 555 684 01 OG6	Bordeaux red	-LZ		
	991 555 684 01 3T0	Espresso	-NE, BY		
	12	991 555 741 00	Cover panel window frame		
(12)	991 555 741 00 1E0	Black		1	
	991 555 742 00	Cover panel window frame	right		
991 555 742 00 1E0	Black				
13	999 073 322 02	fillister hd. bolt M 6 X 20		8	
14	999 919 167 09	fillister hd. bolt M 3 X 10		10	
15	991 555 581 00	decorative frame	left	1	

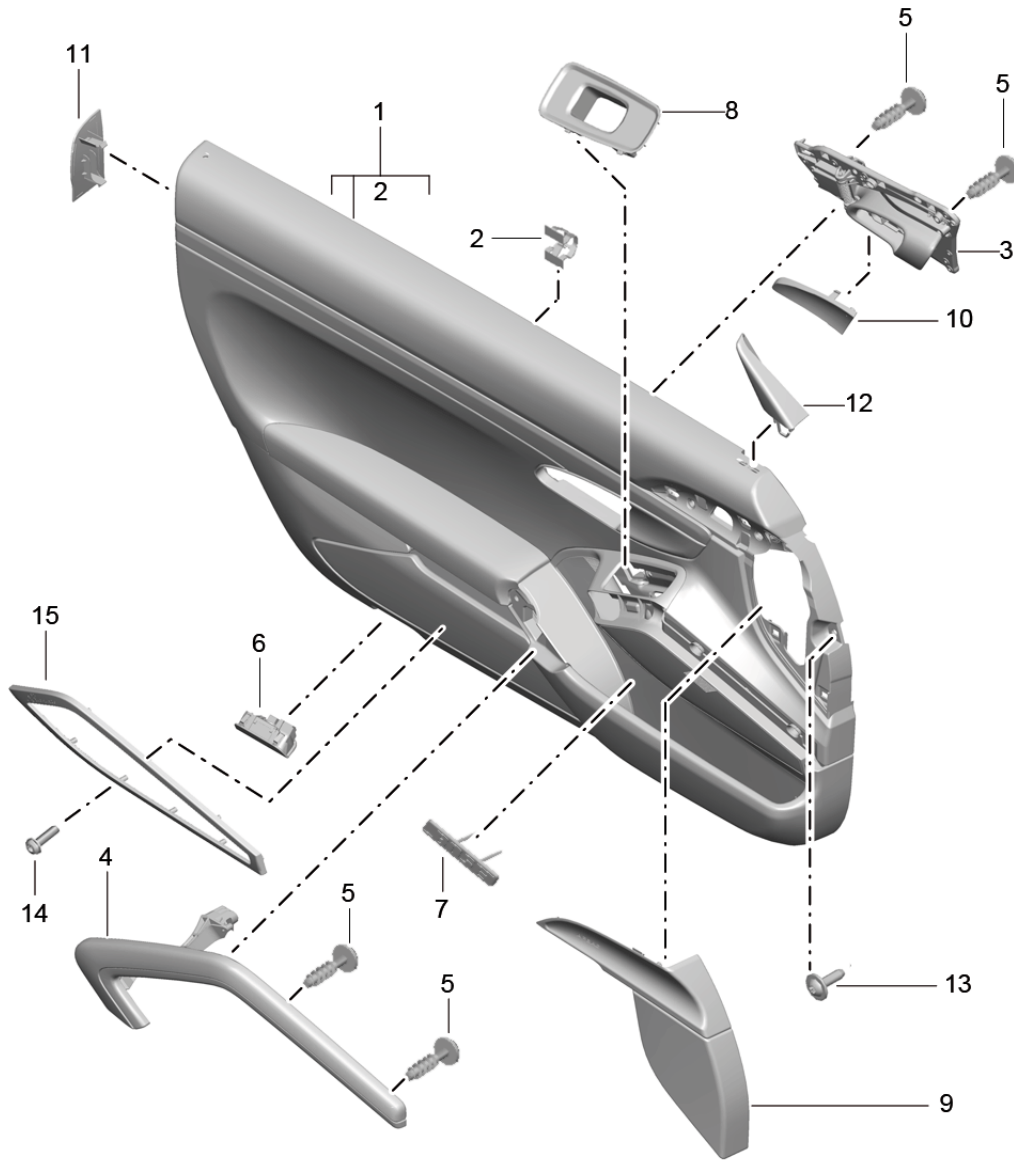
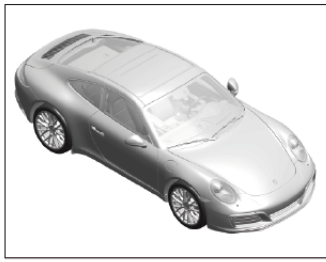
Model: 991-16

Model life 2017>>

Pos	Part Number	Description	Remark	Qty	Model
(15)	991 555 581 00 V08	Loudspeaker trim Galvano silver	right	1	
	991 555 582 00	decorative frame			
	991 555 582 00 V08	Loudspeaker trim Galvano silver			

Model: 991-16

Model life 2017>>



Model: 991-16 Model life 2017>>

Pos	Part Number	Description	Remark	Qty	Model
		door panel			PR:981,XWA
		Accessories			
		Leather			
		Trim			
		Leather			
1	991 555 993 06	Door panel trim (leather)	left	1	PR:9VK
	991 555 993 06 A11	Black	-AZ		
	991 555 993 06 OA1	agate grey	-FZ		
	991 555 993 06 OH7	Graphite Blue	-HZ		
	991 555 993 06 OK6	saddle brown	-SZ		
	991 555 993 06 7J0	Luxor beige	-UZ		
	991 555 993 06 OG6	Bordeaux red	-LZ		
	991 555 993 06 6J0	Espresso	-NE		
	991 555 993 06 JHB	Black/Dark Silver	-TD		
(1)	991 555 993 06	Door panel trim (leather)	left	1	PR:9VK
		two-colour			
	991 555 993 06 DTO	Black/Luxor Beige	-BT		
	991 555 993 06 GUG	Black/Bordeaux Red	-BM		
	991 555 993 06 GTG	Graphite Blue/Chalk	-BG,TG		
	991 555 993 06 GRG	Espresso/Cognac	-BY		
(1)	991 555 994 06	Door panel trim (leather)	right	1	PR:9VK
	991 555 994 06 A11	Black	-AZ		
	991 555 994 06 OA1	agate grey	-FZ		
	991 555 994 06 OH7	Graphite Blue	-HZ		
	991 555 994 06 OK6	saddle brown	-SZ		
	991 555 994 06 7J0	Luxor beige	-UZ		
	991 555 994 06 OG6	Bordeaux red	-LZ		
	991 555 994 06 6J0	Espresso	-NE		
	991 555 994 06 JHB	Black/Dark Silver	-TD		
(1)	991 555 994 06	Door panel trim (leather)	right	1	PR:9VK
		two-colour			
	991 555 994 06 DTO	Black/Luxor Beige	-BT		
	991 555 994 06 GUG	Black/Bordeaux Red	-BM		
	991 555 994 06 GTG	Graphite Blue/Chalk	-BG,TG		
	991 555 994 06 GRG	Espresso/Cognac	-BY		
(1)	991 555 993 07	Door panel trim (leather)	left	1	PR:9VL
	991 555 993 07 A11	Black	-AZ		
	991 555 993 07 OA1	agate grey	-FZ		
	991 555 993 07 OH7	Graphite Blue	-HZ		
	991 555 993 07 OK6	saddle brown	-SZ		
	991 555 993 07 7J0	Luxor beige	-UZ		
	991 555 993 07 OG6	Bordeaux red	-LZ		
	991 555 993 07 6J0	Espresso	-NE		
	991 555 993 07 JHB	Black/Dark Silver	-TD		
(1)	991 555 993 07	Door panel trim (leather)	left	1	PR:9VL
		two-colour			
	991 555 993 07 DTO	Black/Luxor Beige	-BT		
	991 555 993 07 GUG	Black/Bordeaux Red	-BM		
	991 555 993 07 GTG	Graphite Blue/Chalk	-BG,TG		
	991 555 993 07 GRG	Espresso/Cognac	-BY		
(1)	991 555 994 07	Door panel trim (leather)	right	1	PR:9VL
	991 555 994 07 A11	Black	-AZ		
	991 555 994 07 OA1	agate grey	-FZ		
	991 555 994 07 OH7	Graphite Blue	-HZ		
	991 555 994 07 OK6	saddle brown	-SZ		
	991 555 994 07 7J0	Luxor beige	-UZ		
	991 555 994 07 OG6	Bordeaux red	-LZ		
	991 555 994 07 6J0	Espresso	-NE		
	991 555 994 07 JHB	Black/Dark Silver	-TD		
(1)	991 555 994 07	Door panel trim (leather)	right	1	PR:9VL
		two-colour			
	991 555 994 07 DTO	Black/Luxor Beige	-BT		
	991 555 994 07 GUG	Black/Bordeaux Red	-BM		

Model: 991-16 Model life 2017>>

Pos	Part Number	Description	Remark	Qty	Model
	991 555 994 07 GTG	Graphite Blue/Chalk	-BG,TG		
	991 555 994 07 GRG	Espresso/Cognac	-BY		
(1)	991 555 993 08	Door panel trim (leather)	left	1	PR:9VJ
	991 555 993 08 A11	Black	-AZ		
	991 555 993 08 OA1	agate grey	-FZ		
	991 555 993 08 OH7	Graphite Blue	-HZ		
	991 555 993 08 OK6	saddle brown	-SZ		
	991 555 993 08 7J0	Luxor beige	-UZ		
	991 555 993 08 OG6	Bordeaux red	-LZ		
	991 555 993 08 6J0	Espresso	-NE		
	991 555 993 08 JHB	Black/Dark Silver	-TD		
(1)	991 555 993 08	Door panel trim (leather)	left	1	PR:9VJ
		two-colour			
	991 555 993 08 DTO	Black/Luxor Beige	-BT		
	991 555 993 08 GUG	Black/Bordeaux Red	-BM		
	991 555 993 08 GTG	Graphite Blue/Chalk	-BG,TG		
	991 555 993 08 GRG	Espresso/Cognac	-BY		
(1)	991 555 994 08	Door panel trim (leather)	right	1	PR:9VJ
	991 555 994 08 A11	Black	-AZ		
	991 555 994 08 OA1	agate grey	-FZ		
	991 555 994 08 OH7	Graphite Blue	-HZ		
	991 555 994 08 OK6	saddle brown	-SZ		
	991 555 994 08 7J0	Luxor beige	-UZ		
	991 555 994 08 OG6	Bordeaux red	-LZ		
	991 555 994 08 6J0	Espresso	-NE		
	991 555 994 08 JHB	Black/Dark Silver	-TD		
(1)	991 555 994 08	Door panel trim (leather)	right	1	PR:9VJ
		two-colour			
	991 555 994 08 DTO	Black/Luxor Beige	-BT		
	991 555 994 08 GUG	Black/Bordeaux Red	-BM		
	991 555 994 08 GTG	Graphite Blue/Chalk	-BG,TG		
	991 555 994 08 GRG	Espresso/Cognac	-BY		
(1)	991 555 993 09	Door panel trim (leather)	left lhd	1	PR:9VK,537, 098
	991 555 993 09 A11	Black	-AZ		
	991 555 993 09 OA1	agate grey	-FZ		
	991 555 993 09 OH7	Graphite Blue	-HZ		
	991 555 993 09 OK6	saddle brown	-SZ		
	991 555 993 09 7J0	Luxor beige	-UZ		
	991 555 993 09 OG6	Bordeaux red	-LZ		
	991 555 993 09 6J0	Espresso	-NE		
	991 555 993 09 JHB	Black/Dark Silver	-TD		
(1)	991 555 993 09	Door panel trim (leather)	left lhd	1	PR:9VK,537, 098
		two-colour			
	991 555 993 09 DTO	Black/Luxor Beige	-BT		
	991 555 993 09 GUG	Black/Bordeaux Red	-BM		
	991 555 993 09 GTG	Graphite Blue/Chalk	-BG,TG		
	991 555 993 09 GRG	Espresso/Cognac	-BY		
(1)	991 555 994 09	Door panel trim (leather)	right rhd	1	PR:9VK,538, 099
	991 555 994 09 A11	Black	-AZ		
	991 555 994 09 OA1	agate grey	-FZ		
	991 555 994 09 OH7	Graphite Blue	-HZ		
	991 555 994 09 OK6	saddle brown	-SZ		
	991 555 994 09 7J0	Luxor beige	-UZ		
	991 555 994 09 OG6	Bordeaux red	-LZ		
	991 555 994 09 6J0	Espresso	-NE		
	991 555 994 09 JHB	Black/Dark Silver	-TD		
(1)	991 555 994 09	Door panel trim (leather)	right rhd	1	PR:9VK,538, 099
		two-colour			
	991 555 994 09 DTO	Black/Luxor Beige	-BT		

Model: 991-16 Model life 2017>>

Pos	Part Number	Description	Remark	Qty	Model			
(1)	991 555 994 09 GUG	Black/Bordeaux Red	-BM	1	PR:9VL,537,098			
	991 555 994 09 GTG	Graphite Blue/Chalk	-BG,TG					
	991 555 994 09 GRG	Espresso/Cognac	-BY					
	991 555 993 10	Door panel trim (leather)	left lhd					
	991 555 993 10 A11	Black	-AZ					
	991 555 993 10 OA1	agate grey	-FZ					
	991 555 993 10 OH7	Graphite Blue	-HZ					
	991 555 993 10 OK6	saddle brown	-SZ					
	991 555 993 10 7J0	Luxor beige	-UZ					
	991 555 993 10 OG6	Bordeaux red	-LZ					
(1)	991 555 993 10 6J0	Espresso	-NE	1	PR:9VL,537,098			
	991 555 993 10 JHB	Black/Dark Silver	-TD					
	991 555 993 10	Door panel trim (leather)	left lhd					
		two-colour						
	991 555 993 10 DTO	Black/Luxor Beige	-BT					
	991 555 993 10 GUG	Black/Bordeaux Red	-BM					
	991 555 993 10 GTG	Graphite Blue/Chalk	-BG,TG					
	991 555 993 10 GRG	Espresso/Cognac	-BY					
	991 555 994 10	Door panel trim (leather)	right rhd					
	(1)	991 555 994 10 A11	Black			-AZ	1	PR:9VL,538,099
991 555 994 10 OA1		agate grey	-FZ					
991 555 994 10 OH7		Graphite Blue	-HZ					
991 555 994 10 OK6		saddle brown	-SZ					
991 555 994 10 7J0		Luxor beige	-UZ					
991 555 994 10 OG6		Bordeaux red	-LZ					
991 555 994 10 6J0		Espresso	-NE					
991 555 994 10 JHB		Black/Dark Silver	-TD					
991 555 994 10		Door panel trim (leather)	right rhd					
		two-colour						
(1)	991 555 994 10 DTO	Black/Luxor Beige	-BT	1	PR:9VL,538,099			
	991 555 994 10 GUG	Black/Bordeaux Red	-BM					
	991 555 994 10 GTG	Graphite Blue/Chalk	-BG,TG					
	991 555 994 10 GRG	Espresso/Cognac	-BY					
	991 555 993 11	Door panel trim (leather)	left lhd					
	(1)	991 555 993 11 A11	Black			-AZ	1	PR:9VJ,537,098
		991 555 993 11 OA1	agate grey			-FZ		
		991 555 993 11 OH7	Graphite Blue			-HZ		
		991 555 993 11 OK6	saddle brown			-SZ		
		991 555 993 11 7J0	Luxor beige			-UZ		
991 555 993 11 OG6		Bordeaux red	-LZ					
991 555 993 11 6J0		Espresso	-NE					
991 555 993 11 JHB		Black/Dark Silver	-TD					
991 555 993 11		Door panel trim (leather)	left lhd					
		two-colour						
(1)	991 555 993 11 DTO	Black/Luxor Beige	-BT	1	PR:9VJ,537,098			
	991 555 993 11 GUG	Black/Bordeaux Red	-BM					
	991 555 993 11 GTG	Graphite Blue/Chalk	-BG,TG					
	991 555 993 11 GRG	Espresso/Cognac	-BY					
	991 555 994 11	Door panel trim (leather)	right rhd					
	(1)	991 555 994 11 A11	Black			-AZ	1	PR:9VJ,538,099
		991 555 994 11 OA1	agate grey			-FZ		
		991 555 994 11 OH7	Graphite Blue			-HZ		
		991 555 994 11 OK6	saddle brown			-SZ		
		991 555 994 11 7J0	Luxor beige			-UZ		
991 555 994 11 OG6		Bordeaux red	-LZ					
991 555 994 11 6J0		Espresso	-NE					



Model: 991-16 Model life 2017>>

Pos	Part Number	Description	Remark	Qty	Model
(1)	991 555 994 11 JHB	Black/Dark Silver	-TD		
	991 555 994 11	Door panel trim (leather)	right rhd	1	PR:9VJ,538,099
		two-colour			
	991 555 994 11 DTO	Black/Luxor Beige	-BT		
	991 555 994 11 GUG	Black/Bordeaux Red	-BM		
	991 555 994 11 GTG	Graphite Blue/Chalk	-BG,TG		
	991 555 994 11 GRG	Espresso/Cognac	-BY		
(1)	991 555 993 36	Door panel trim (leather)	left	1	PR:9VK,625
	991 555 993 36 A11	Black	-AZ		
	991 555 993 36 OA1	agate grey	-FZ		
	991 555 993 36 OH7	Graphite Blue	-HZ		
	991 555 993 36 OK6	saddle brown	-SZ		
	991 555 993 36 7J0	Luxor beige	-UZ		
	991 555 993 36 OG6	Bordeaux red	-LZ		
	991 555 993 36 6J0	Espresso	-NE		
(1)	991 555 993 36 JHB	Black/Dark Silver	-TD		
	991 555 993 36	Door panel trim (leather)	left	1	PR:9VK,625
		two-colour			
	991 555 993 36 DTO	Black/Luxor Beige	-BT		
	991 555 993 36 GUG	Black/Bordeaux Red	-BM		
	991 555 993 36 GTG	Graphite Blue/Chalk	-BG,TG		
	991 555 993 36 GRG	Espresso/Cognac	-BY		
(1)	991 555 994 36	Door panel trim (leather)	right	1	PR:9VK,625
	991 555 994 36 A11	Black	-AZ		
	991 555 994 36 OA1	agate grey	-FZ		
	991 555 994 36 OH7	Graphite Blue	-HZ		
	991 555 994 36 OK6	saddle brown	-SZ		
	991 555 994 36 7J0	Luxor beige	-UZ		
	991 555 994 36 OG6	Bordeaux red	-LZ		
	991 555 994 36 6J0	Espresso	-NE		
(1)	991 555 994 36 JHB	Black/Dark Silver	-TD		
	991 555 994 36	Door panel trim (leather)	right	1	PR:9VK,625
		two-colour			
	991 555 994 36 DTO	Black/Luxor Beige	-BT		
	991 555 994 36 GUG	Black/Bordeaux Red	-BM		
	991 555 994 36 GTG	Graphite Blue/Chalk	-BG,TG		
	991 555 994 36 GRG	Espresso/Cognac	-BY		
(1)	991 555 993 37	Door panel trim (leather)	left	1	PR:9VL,625
	991 555 993 37 A11	Black	-AZ		
	991 555 993 37 OA1	agate grey	-FZ		
	991 555 993 37 OH7	Graphite Blue	-HZ		
	991 555 993 37 OK6	saddle brown	-SZ		
	991 555 993 37 7J0	Luxor beige	-UZ		
	991 555 993 37 OG6	Bordeaux red	-LZ		
	991 555 993 37 6J0	Espresso	-NE		
(1)	991 555 993 37 JHB	Black/Dark Silver	-TD		
	991 555 993 37	Door panel trim (leather)	left	1	PR:9VL,625
		two-colour			
	991 555 993 37 DTO	Black/Luxor Beige	-BT		
	991 555 993 37 GUG	Black/Bordeaux Red	-BM		
	991 555 993 37 GTG	Graphite Blue/Chalk	-BG,TG		
	991 555 993 37 GRG	Espresso/Cognac	-BY		
(1)	991 555 994 37	Door panel trim (leather)	right	1	PR:9VL,625
	991 555 994 37 A11	Black	-AZ		
	991 555 994 37 OA1	agate grey	-FZ		
	991 555 994 37 OH7	Graphite Blue	-HZ		
	991 555 994 37 OK6	saddle brown	-SZ		
	991 555 994 37 7J0	Luxor beige	-UZ		
	991 555 994 37 OG6	Bordeaux red	-LZ		
	991 555 994 37 6J0	Espresso	-NE		
(1)	991 555 994 37 JHB	Black/Dark Silver	-TD		
	991 555 994 37	Door panel trim (leather)	right	1	PR:9VL,625

Model: 991-16 Model life 2017>>

Pos	Part Number	Description	Remark	Qty	Model
		two-colour			
	991 555 994 37 DTO	Black/Luxor Beige	-BT		
	991 555 994 37 GUG	Black/Bordeaux Red	-BM		
	991 555 994 37 GTG	Graphite Blue/Chalk	-BG, TG		
	991 555 994 37 GRG	Espresso/Cognac	-BY		
(1)	991 555 993 38	Door panel trim (leather)	left	1	PR:9VJ,625
	991 555 993 38 A11	Black	-AZ		
	991 555 993 38 OA1	agate grey	-FZ		
	991 555 993 38 OH7	Graphite Blue	-HZ		
	991 555 993 38 OK6	saddle brown	-SZ		
	991 555 993 38 7J0	Luxor beige	-UZ		
	991 555 993 38 OG6	Bordeaux red	-LZ		
	991 555 993 38 6J0	Espresso	-NE		
	991 555 993 38 JHB	Black/Dark Silver	-TD		
(1)	991 555 993 38	Door panel trim (leather)	left	1	PR:9VJ,625
		two-colour			
	991 555 993 38 DTO	Black/Luxor Beige	-BT		
	991 555 993 38 GUG	Black/Bordeaux Red	-BM		
	991 555 993 38 GTG	Graphite Blue/Chalk	-BG, TG		
	991 555 993 38 GRG	Espresso/Cognac	-BY		
(1)	991 555 994 38	Door panel trim (leather)	right	1	PR:9VJ,625
	991 555 994 38 A11	Black	-AZ		
	991 555 994 38 OA1	agate grey	-FZ		
	991 555 994 38 OH7	Graphite Blue	-HZ		
	991 555 994 38 OK6	saddle brown	-SZ		
	991 555 994 38 7J0	Luxor beige	-UZ		
	991 555 994 38 OG6	Bordeaux red	-LZ		
	991 555 994 38 6J0	Espresso	-NE		
	991 555 994 38 JHB	Black/Dark Silver	-TD		
(1)	991 555 994 38	Door panel trim (leather)	right	1	PR:9VJ,625
		two-colour			
	991 555 994 38 DTO	Black/Luxor Beige	-BT		
	991 555 994 38 GUG	Black/Bordeaux Red	-BM		
	991 555 994 38 GTG	Graphite Blue/Chalk	-BG, TG		
	991 555 994 38 GRG	Espresso/Cognac	-BY		
(1)	991 555 993 39	Door panel trim (leather)	left lhd	1	PR:9VK,537,625,098
	991 555 993 39 A11	Black	-AZ		
	991 555 993 39 OA1	agate grey	-FZ		
	991 555 993 39 OH7	Graphite Blue	-HZ		
	991 555 993 39 OK6	saddle brown	-SZ		
	991 555 993 39 7J0	Luxor beige	-UZ		
	991 555 993 39 OG6	Bordeaux red	-LZ		
	991 555 993 39 6J0	Espresso	-NE		
	991 555 993 39 JHB	Black/Dark Silver	-TD		
(1)	991 555 993 39	Door panel trim (leather)	left lhd	1	PR:9VK,537,625,098
		two-colour			
	991 555 993 39 DTO	Black/Luxor Beige	-BT		
	991 555 993 39 GUG	Black/Bordeaux Red	-BM		
	991 555 993 39 GTG	Graphite Blue/Chalk	-BG, TG		
	991 555 993 39 GRG	Espresso/Cognac	-BY		
(1)	991 555 994 39	Door panel trim (leather)	right rhd	1	PR:9VK,538,625,099
	991 555 994 39 A11	Black	-AZ		
	991 555 994 39 OA1	agate grey	-FZ		
	991 555 994 39 OH7	Graphite Blue	-HZ		
	991 555 994 39 OK6	saddle brown	-SZ		
	991 555 994 39 7J0	Luxor beige	-UZ		
	991 555 994 39 OG6	Bordeaux red	-LZ		
	991 555 994 39 6J0	Espresso	-NE		
	991 555 994 39 JHB	Black/Dark Silver	-TD		
(1)	991 555 994 39	Door panel trim (leather)	right rhd	1	PR:9VK,538,

Model: 991-16

Model life 2017>>

Pos	Part Number	Description	Remark	Qty	Model
		two-colour			625,099
	991 555 994 39 DTO	Black/Luxor Beige	-BT		
	991 555 994 39 GUG	Black/Bordeaux Red	-BM		
	991 555 994 39 GTG	Graphite Blue/Chalk	-BG,TG		
	991 555 994 39 GRG	Espresso/Cognac	-BY		
(1)	991 555 993 40	Door panel trim (leather)	left lhd	1	PR:9VL,537, 625,098
	991 555 993 40 A11	Black	-AZ		
	991 555 993 40 OA1	agate grey	-FZ		
	991 555 993 40 OH7	Graphite Blue	-HZ		
	991 555 993 40 OK6	saddle brown	-SZ		
	991 555 993 40 7J0	Luxor beige	-UZ		
	991 555 993 40 OG6	Bordeaux red	-LZ		
	991 555 993 40 6J0	Espresso	-NE		
	991 555 993 40 JHB	Black/Dark Silver	-TD		
(1)	991 555 993 40	Door panel trim (leather)	left lhd	1	PR:9VL,537, 625,098
		two-colour			
	991 555 993 40 DTO	Black/Luxor Beige	-BT		
	991 555 993 40 GUG	Black/Bordeaux Red	-BM		
	991 555 993 40 GTG	Graphite Blue/Chalk	-BG,TG		
	991 555 993 40 GRG	Espresso/Cognac	-BY		
(1)	991 555 994 40	Door panel trim (leather)	right rhd	1	PR:9VL,538, 625,099
	991 555 994 40 A11	Black	-AZ		
	991 555 994 40 OA1	agate grey	-FZ		
	991 555 994 40 OH7	Graphite Blue	-HZ		
	991 555 994 40 OK6	saddle brown	-SZ		
	991 555 994 40 7J0	Luxor beige	-UZ		
	991 555 994 40 OG6	Bordeaux red	-LZ		
	991 555 994 40 6J0	Espresso	-NE		
	991 555 994 40 JHB	Black/Dark Silver	-TD		
(1)	991 555 994 40	Door panel trim (leather)	right rhd	1	PR:9VL,538, 625,099
		two-colour			
	991 555 994 40 DTO	Black/Luxor Beige	-BT		
	991 555 994 40 GUG	Black/Bordeaux Red	-BM		
	991 555 994 40 GTG	Graphite Blue/Chalk	-BG,TG		
	991 555 994 40 GRG	Espresso/Cognac	-BY		
(1)	991 555 993 41	Door panel trim (leather)	left lhd	1	PR:9VJ,537, 625,098
	991 555 993 41 A11	Black	-AZ		
	991 555 993 41 OA1	agate grey	-FZ		
	991 555 993 41 OH7	Graphite Blue	-HZ		
	991 555 993 41 OK6	saddle brown	-SZ		
	991 555 993 41 7J0	Luxor beige	-UZ		
	991 555 993 41 OG6	Bordeaux red	-LZ		
	991 555 993 41 6J0	Espresso	-NE		
	991 555 993 41 JHB	Black/Dark Silver	-TD		
(1)	991 555 993 41	Door panel trim (leather)	left lhd	1	PR:9VJ,537, 625,098
		two-colour			
	991 555 993 41 DTO	Black/Luxor Beige	-BT		
	991 555 993 41 GUG	Black/Bordeaux Red	-BM		
	991 555 993 41 GTG	Graphite Blue/Chalk	-BG,TG		
	991 555 993 41 GRG	Espresso/Cognac	-BY		
(1)	991 555 994 41	Door panel trim (leather)	right rhd	1	PR:9VJ,538, 625,099
	991 555 994 41 A11	Black	-AZ		
	991 555 994 41 OA1	agate grey	-FZ		
	991 555 994 41 OH7	Graphite Blue	-HZ		
	991 555 994 41 OK6	saddle brown	-SZ		

Model: 991-16 Model life 2017>>

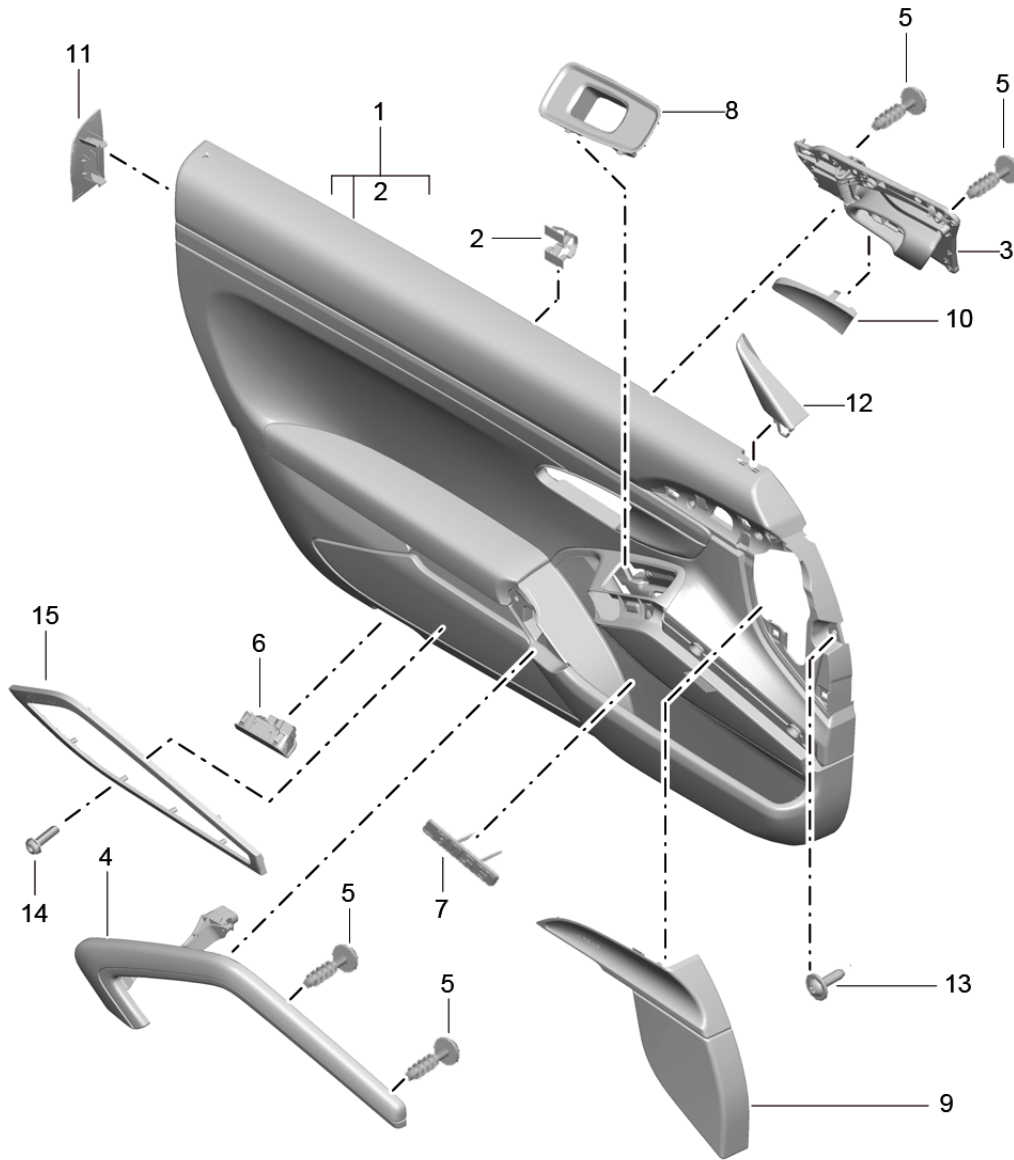
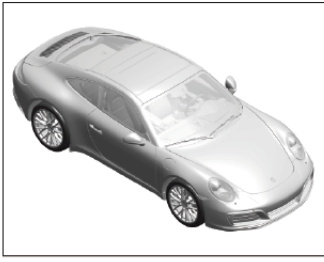
Pos	Part Number	Description	Remark	Qty	Model
(1)	991 555 994 41 7J0	Luxor beige	-UZ	1	PR:9VJ,538, 625,099
	991 555 994 41 OG6	Bordeaux red	-LZ		
	991 555 994 41 6J0	Espresso	-NE		
	991 555 994 41 JHB	Black/Dark Silver	-TD		
	991 555 994 41	Door panel trim (leather)	right rhd		
		two-colour			
	991 555 994 41 DTO	Black/Luxor Beige	-BT		
	991 555 994 41 GUG	Black/Bordeaux Red	-BM		
	991 555 994 41 GTG	Graphite Blue/Chalk	-BG,TG		
	991 555 994 41 GRG	Espresso/Cognac	-BY		
2	999 507 533 02	Clamp		4	
		8,0 X 10,0 /2,5			
3	991 555 521 02	Inner actuator	left	1	
	991 555 521 02 V08	Galvano silver			
(3)	991 555 522 02	Inner actuator	right	1	
	991 555 522 02 V08	Galvano silver			
4	991 555 533 00	Pull handle	left	1	
		Leather			
	991 555 533 00 A11	Black	-AZ		
	991 555 533 00 OA1	agate grey	-FZ		
	991 555 533 00 OH7	Graphite Blue	-HZ		
	991 555 533 00 OK6	saddle brown	-SZ		
	991 555 533 00 7J0	Luxor beige	-UZ,BT		
	991 555 533 00 OG6	Bordeaux red	-LZ,BM		
	991 555 533 00 OL8	Chalk	-BG		
	991 555 533 00 6J0	Espresso	-NE		
	991 555 533 00 7F0	Cognac	-BY		
	991 555 533 00 JHB	Black/Dark Silver	-TD		
(4)	991 555 534 00	Pull handle (leather)	right	1	
	991 555 534 00 A11	Black	-AZ		
	991 555 534 00 OA1	agate grey	-FZ		
	991 555 534 00 OH7	Graphite Blue	-HZ		
	991 555 534 00 OK6	saddle brown	-SZ		
	991 555 534 00 7J0	Luxor beige	-UZ,BT		
	991 555 534 00 OG6	Bordeaux red	-LZ,BM		
	991 555 534 00 OL8	Chalk	-BG		
		KREIDE			
	991 555 534 00 6J0	Espresso	-NE		
	991 555 534 00 7F0	Cognac	-BY		
	991 555 534 00 JHB	Black/Dark Silver	-TD		
5	999 919 262 01	fillister hd. bolt		9	
		4,0 X 16,0			
6	1K0 947 419 A	rear light reflector		2	
7	7PP 945 699	inscription		2	
		Bose			
8	991 555 723 02	Mounting frame		1	
		Switch			
	991 555 723 02 1E0	Black			
9	991 555 721 02	Cover	left	1	
			front		
	991 555 721 02 5Q0	Black	-AZ,BT,BM		
	991 555 721 02 OA6	agate grey	-FZ		
	991 555 721 02 OH7	Graphite Blue	-HZ,BG		
	991 555 721 02 OL7	saddle brown	-SZ		
	991 555 721 02 6W0	Luxor beige	-UZ		
	991 555 721 02 OG6	Bordeaux red	-LZ		
	991 555 721 02 3T0	Espresso	-NE,BY		
(9)	991 555 722 02	Cover	right	1	
			front		
	991 555 722 02 5Q0	Black	-AZ,BT,BM		
	991 555 722 02 OA6	agate grey	-FZ		
	991 555 722 02 OH7	Graphite Blue	-HZ,BG		

Model: 991-16 Model life 2017>>

Pos	Part Number	Description	Remark	Qty	Model	
10	991 555 722 02 OL7	saddle brown	-SZ	1		
	991 555 722 02 6W0	Luxor beige	-UZ			
	991 555 722 02 OG6	Bordeaux red	-LZ			
	991 555 722 02 3T0	Espresso	-NE,BY			
	7PP 837 247	Cover panel	left			
(10)	7PP 837 247 1E0	Inner actuator		1		
	7PP 837 248	Black	right			
11	7PP 837 248 1E0	Cover panel		1		
	991 555 683 01	Inner actuator				
	991 555 683 01 5Q0	Black	left			
	991 555 683 01 OA6	cover for airbag	-AZ,BT,BM			
	991 555 683 01 OH7	Black	-FZ			
	991 555 683 01 OL7	agate grey	-HZ,BG			
	991 555 683 01 6W0	Graphite Blue	-SZ			
	991 555 683 01 OG6	saddle brown	-UZ			
	991 555 683 01 3T0	Luxor beige	-LZ			
	(11)	991 555 683 01 3T0	Bordeaux red			-NE,BY
		991 555 684 01	Espresso			right
991 555 684 01 5Q0		cover for airbag	-AZ,BT,BM			
991 555 684 01 OA6		Black	-FZ			
991 555 684 01 OH7		agate grey	-HZ,BG			
991 555 684 01 OL7		Graphite Blue	-SZ			
991 555 684 01 6W0		saddle brown	-UZ			
991 555 684 01 OG6		Luxor beige	-LZ			
991 555 684 01 3T0		Bordeaux red	-NE,BY			
12		991 555 741 00	Espresso	left	1	
		991 555 741 00 1E0	Cover panel			
(12)	991 555 741 00 1E0	window frame		1		
	991 555 742 00	Black	right			
13	991 555 742 00 1E0	Cover panel		8		
	999 073 322 02	window frame				
14	999 073 322 02	fillister hd. bolt		10		
	999 919 203 07	M 6 X 20				
15	999 919 203 07	fillister hd. bolt		1	PR:9VJ	
	991 555 581 00	M 3 X 10	left			
(15)	991 555 581 00	decorative frame		1	PR:9VJ	
	991 555 581 00 V08	Loudspeaker trim				
	991 555 582 00	Galvano silver	right			
	991 555 582 00	decorative frame				
	991 555 582 00 V08	Loudspeaker trim				
	991 555 582 00 V08	Galvano silver				

Model: 991-16

Model life 2017>>



Model: 991-16 Model life 2017>>

Pos	Part Number	Description	Remark	Qty	Model
		door panel Accessories Leather Trim mahagoni			PR:981,XWB
(1)	991 555 993 18	Door panel trim (leather)	left	1	PR:9VK
	991 555 993 18 A11	Black	-AZ		
	991 555 993 18 OA1	Black/agate grey	-FZ		
	991 555 993 18 OH7	Graphite Blue	-HZ		
	991 555 993 18 OK6	saddle brown	-SZ		
	991 555 993 18 7J0	Luxor beige	-UZ		
	991 555 993 18 OG6	Bordeaux red	-LZ		
	991 555 993 18 6J0	Black/espresso	-NE		
(1)	991 555 993 18	Door panel trim (leather) two-colour	left	1	PR:9VK
	991 555 993 18 DTO	Black/Luxor Beige	-BT		
	991 555 993 18 GUG	Black/Bordeaux Red	-BM		
	991 555 993 18 GTG	Graphite Blue/Chalk	-BG		
	991 555 993 18 GRG	Espresso/Cognac	-BY		
(1)	991 555 994 18	Door panel trim (leather)	right	1	PR:9VK
	991 555 994 18 A11	Black	-AZ		
	991 555 994 18 OA1	agate grey	-FZ		
	991 555 994 18 OH7	Graphite Blue	-HZ		
	991 555 994 18 OK6	saddle brown	-SZ		
	991 555 994 18 7J0	Luxor beige	-UZ		
	991 555 994 18 OG6	Bordeaux red	-LZ		
	991 555 994 18 6J0	Espresso	-NE		
(1)	991 555 994 18	Door panel trim (leather) two-colour	right	1	PR:9VK
	991 555 994 18 DTO	Black/Luxor Beige	-BT		
	991 555 994 18 GUG	Black/Bordeaux Red	-BM		
	991 555 994 18 GTG	Graphite Blue/Chalk	-BG		
	991 555 994 18 GRG	Espresso/Cognac	-BY		
(1)	991 555 993 19	Door panel trim (leather)	left	1	PR:9VL
	991 555 993 19 A11	Black	-AZ		
	991 555 993 19 OA1	agate grey	-FZ		
	991 555 993 19 OH7	Graphite Blue	-HZ		
	991 555 993 19 OK6	saddle brown	-SZ		
	991 555 993 19 7J0	Luxor beige	-UZ		
	991 555 993 19 OG6	Bordeaux red	-LZ		
	991 555 993 19 6J0	Espresso	-NE		
(1)	991 555 993 19	Door panel trim (leather) two-colour	left	1	PR:9VL
	991 555 993 19 DTO	Black/Luxor Beige	-BT		
	991 555 993 19 GUG	Black/Bordeaux Red	-BM		
	991 555 993 19 GTG	Graphite Blue/Chalk	-BG		
	991 555 993 19 GRG	Espresso/Cognac	-BY		
(1)	991 555 994 19	Door panel trim (leather)	right	1	PR:9VL
	991 555 994 19 A11	Black	-AZ		
	991 555 994 19 OA1	agate grey	-FZ		
	991 555 994 19 OH7	Graphite Blue	-HZ		
	991 555 994 19 OK6	saddle brown	-SZ		
	991 555 994 19 7J0	Luxor beige	-UZ		
	991 555 994 19 OG6	Bordeaux red	-LZ		
	991 555 994 19 6J0	Espresso	-NE		
(1)	991 555 994 19	Door panel trim (leather) two-colour	right	1	PR:9VL
	991 555 994 19 DTO	Black/Luxor Beige	-BT		
	991 555 994 19 GUG	Black/Bordeaux Red	-BM		
	991 555 994 19 GTG	Graphite Blue/Chalk	-BG		
	991 555 994 19 GRG	Espresso/Cognac	-BY		
(1)	991 555 993 20	Door panel trim (leather)	left	1	PR:9VJ
	991 555 993 20 A11	Black	-AZ		

Model: 991-16 Model life 2017>>

Pos	Part Number	Description	Remark	Qty	Model
	991 555 993 20 OA1	agate grey	-FZ		
	991 555 993 20 OH7	Graphite Blue	-HZ		
	991 555 993 20 OK6	saddle brown	-SZ		
	991 555 993 20 7J0	Luxor beige	-UZ		
	991 555 993 20 OG6	Bordeaux red	-LZ		
	991 555 993 20 6J0	Espresso	-NE		
(1)	991 555 993 20	Door panel trim (leather) two-colour	left	1	PR:9VJ
	991 555 993 20 DTO	Black/Luxor Beige	-BT		
	991 555 993 20 GUG	Black/Bordeaux Red	-BM		
	991 555 993 20 GTG	Graphite Blue/Chalk	-BG		
	991 555 993 20 GRG	Espresso/Cognac	-BY		
(1)	991 555 994 20	Door panel trim (leather)	right	1	PR:9VJ
	991 555 994 20 A11	Black	-AZ		
	991 555 994 20 OA1	agate grey	-FZ		
	991 555 994 20 OH7	Graphite Blue	-HZ		
	991 555 994 20 OK6	saddle brown	-SZ		
	991 555 994 20 7J0	Luxor beige	-UZ		
	991 555 994 20 OG6	Bordeaux red	-LZ		
	991 555 994 20 6J0	Espresso	-NE		
(1)	991 555 994 20	Door panel trim (leather) two-colour	right	1	PR:9VJ
	991 555 994 20 DTO	Black/Luxor Beige	-BT		
	991 555 994 20 GUG	Black/Bordeaux Red	-BM		
	991 555 994 20 GTG	Graphite Blue/Chalk	-BG		
	991 555 994 20 GRG	Espresso/Cognac	-BY		
(1)	991 555 993 21	Door panel trim (leather)	left lhd	1	PR:9VK,537, 098
	991 555 993 21 A11	Black	-AZ		
	991 555 993 21 OA1	agate grey	-FZ		
	991 555 993 21 OH7	Graphite Blue	-HZ		
	991 555 993 21 OK6	saddle brown	-SZ		
	991 555 993 21 7J0	Luxor beige	-UZ		
	991 555 993 21 OG6	Bordeaux red	-LZ		
	991 555 993 21 6J0	Espresso	-NE		
(1)	991 555 993 21	Door panel trim (leather) two-colour	left lhd	1	PR:9VK,537, 098
	991 555 993 21 DTO	Black/Luxor Beige	-BT		
	991 555 993 21 GUG	Black/Bordeaux Red	-BM		
	991 555 993 21 GTG	Graphite Blue/Chalk	-BG		
	991 555 993 21 GRG	Espresso/Cognac	-BY		
(1)	991 555 994 21	Door panel trim (leather)	right rhd	1	PR:9VK,538, 099
	991 555 994 21 A11	Black	-AZ		
	991 555 994 21 OA1	agate grey	-FZ		
	991 555 994 21 OH7	Graphite Blue	-HZ		
	991 555 994 21 OK6	saddle brown	-SZ		
	991 555 994 21 7J0	Luxor beige	-UZ		
	991 555 994 21 OG6	Bordeaux red	-LZ		
	991 555 994 21 6J0	Espresso	-NE		
(1)	991 555 994 21	Door panel trim (leather) two-colour	right rhd	1	PR:9VK,538, 099
	991 555 994 21 DTO	Black/Luxor Beige	-BT		
	991 555 994 21 GUG	Black/Bordeaux Red	-BM		
	991 555 994 21 GTG	Graphite Blue/Chalk	-BG		
	991 555 994 21 GRG	Espresso/Cognac	-BY		
(1)	991 555 993 22	Door panel trim (leather)	left lhd	1	PR:9VL,537, 098
	991 555 993 22 A11	Black	-AZ		
	991 555 993 22 OA1	agate grey	-FZ		
	991 555 993 22 OH7	Graphite Blue	-HZ		



Model: 991-16 Model life 2017>>

Pos	Part Number	Description	Remark	Qty	Model
	991 555 993 22 OK6	saddle brown	-SZ		
	991 555 993 22 7J0	Luxor beige	-UZ		
	991 555 993 22 OG6	Bordeaux red	-LZ		
	991 555 993 22 6J0	Espresso	-NE		
(1)	991 555 993 22	Door panel trim (leather)	left lhd	1	PR:9VL,537,098
		two-colour			
	991 555 993 22 DTO	Black/Luxor Beige	-BT		
	991 555 993 22 GUG	Black/Bordeaux Red	-BM		
	991 555 993 22 GTG	Graphite Blue/Chalk	-BG		
	991 555 993 22 GRG	Espresso/Cognac	-BY		
(1)	991 555 994 22	Door panel trim (leather)	right rhd	1	PR:9VL,538,099
	991 555 994 22 A11	Black	-AZ		
	991 555 994 22 OA1	agate grey	-FZ		
	991 555 994 22 OH7	Graphite Blue	-HZ		
	991 555 994 22 OK6	saddle brown	-SZ		
	991 555 994 22 7J0	Luxor beige	-UZ		
	991 555 994 22 OG6	Bordeaux red	-LZ		
	991 555 994 22 6J0	Espresso	-NE		
(1)	991 555 994 22	Door panel trim (leather)	right rhd	1	PR:9VL,538,099
		two-colour			
	991 555 994 22 DTO	Black/Luxor Beige	-BT		
	991 555 994 22 GUG	Black/Bordeaux Red	-BM		
	991 555 994 22 GTG	Graphite Blue/Chalk	-BG		
	991 555 994 22 GRG	Espresso/Cognac	-BY		
(1)	991 555 993 23	Door panel trim (leather)	left lhd	1	PR:9VJ,537,098
	991 555 993 23 A11	Black	-AZ		
	991 555 993 23 OA1	agate grey	-FZ		
	991 555 993 23 OH7	Graphite Blue	-HZ		
	991 555 993 23 OK6	saddle brown	-SZ		
	991 555 993 23 7J0	Luxor beige	-UZ		
	991 555 993 23 OG6	Bordeaux red	-LZ		
	991 555 993 23 6J0	Espresso	-NE		
(1)	991 555 993 23	Door panel trim (leather)	left lhd	1	PR:9VJ,537,098
		two-colour			
	991 555 993 23 DTO	Black/Luxor Beige	-BT		
	991 555 993 23 GUG	Black/Bordeaux Red	-BM		
	991 555 993 23 GTG	Graphite Blue/Chalk	-BG		
	991 555 993 23 GRG	Espresso/Cognac	-BY		
(1)	991 555 994 23	Door panel trim (leather)	right rhd	1	PR:9VJ,538,099
	991 555 994 23 A11	Black	-AZ		
	991 555 994 23 OA1	agate grey	-FZ		
	991 555 994 23 OH7	Graphite Blue	-HZ		
	991 555 994 23 OK6	saddle brown	-SZ		
	991 555 994 23 7J0	Luxor beige	-UZ		
	991 555 994 23 OG6	Bordeaux red	-LZ		
	991 555 994 23 6J0	Espresso	-NE		
(1)	991 555 994 23	Door panel trim (leather)	right rhd	1	PR:9VJ,538,099
		two-colour			
	991 555 994 23 DTO	Black/Luxor Beige	-BT		
	991 555 994 23 GUG	Black/Bordeaux Red	-BM		
	991 555 994 23 GTG	Graphite Blue/Chalk	-BG		
	991 555 994 23 GRG	Espresso/Cognac	-BY		
(1)	991 555 993 48	Door panel trim (leather)	left	1	PR:9VK,625
	991 555 993 48 A11	Black	-AZ		
	991 555 993 48 OA1	agate grey	-FZ		
	991 555 993 48 OH7	Graphite Blue	-HZ		

Model: 991-16 Model life 2017>>

Pos	Part Number	Description	Remark	Qty	Model
(1)	991 555 993 48 OK6	saddle brown	-SZ	1	PR:9VK,625
	991 555 993 48 7J0	Luxor beige	-UZ		
	991 555 993 48 OG6	Bordeaux red	-LZ		
	991 555 993 48 6J0	Espresso	-NE		
	991 555 993 48	Door panel trim (leather) two-colour	left		
(1)	991 555 993 48 DTO	Black/Luxor Beige	-BT	1	PR:9VK,625
	991 555 993 48 GUG	Black/Bordeaux Red	-BM		
	991 555 993 48 GTG	Graphite Blue/Chalk	-BG		
	991 555 993 48 GRG	Espresso/Cognac	-BY		
	991 555 994 48	Door panel trim (leather)	right		
(1)	991 555 994 48 A11	Black	-AZ	1	PR:9VK,625
	991 555 994 48 OA1	agate grey	-FZ		
	991 555 994 48 OH7	Graphite Blue	-HZ		
	991 555 994 48 OK6	saddle brown	-SZ		
	991 555 994 48 7J0	Luxor beige	-UZ		
(1)	991 555 994 48 OG6	Bordeaux red	-LZ	1	PR:9VK,625
	991 555 994 48 6J0	Espresso	-NE		
	991 555 994 48	Door panel trim (leather) two-colour	right		
	991 555 994 48 DTO	Black/Luxor Beige	-BT		
	991 555 994 48 GUG	Black/Bordeaux Red	-BM		
(1)	991 555 994 48 GTG	Graphite Blue/Chalk	-BG	1	PR:9VL,625
	991 555 994 48 GRG	Espresso/Cognac	-BY		
	991 555 993 49	Door panel trim (leather)	left		
	991 555 993 49 A11	Black	-AZ		
	991 555 993 49 OA1	agate grey	-FZ		
(1)	991 555 993 49 OH7	Graphite Blue	-HZ	1	PR:9VL,625
	991 555 993 49 OK6	saddle brown	-SZ		
	991 555 993 49 7J0	Luxor beige	-UZ		
	991 555 993 49 OG6	Bordeaux red	-LZ		
	991 555 993 49 6J0	Espresso	-NE		
(1)	991 555 993 49	Door panel trim (leather) two-colour	left	1	PR:9VL,625
	991 555 993 49 DTO	Black/Luxor Beige	-BT		
	991 555 993 49 GUG	Black/Bordeaux Red	-BM		
	991 555 993 49 GTG	Graphite Blue/Chalk	-BG		
	991 555 993 49 GRG	Espresso/Cognac	-BY		
(1)	991 555 994 49	Door panel trim (leather)	right	1	PR:9VL,625
	991 555 994 49 A11	Black	-AZ		
	991 555 994 49 OA1	agate grey	-FZ		
	991 555 994 49 OH7	Graphite Blue	-HZ		
	991 555 994 49 OK6	saddle brown	-SZ		
(1)	991 555 994 49 7J0	Luxor beige	-UZ	1	PR:9VL,625
	991 555 994 49 OG6	Bordeaux red	-LZ		
	991 555 994 49 6J0	Espresso	-NE		
	991 555 994 49	Door panel trim (leather) two-colour	right		
	991 555 994 49 DTO	Black/Luxor Beige	-BT		
(1)	991 555 994 49 GUG	Black/Bordeaux Red	-BM	1	PR:9VL,625
	991 555 994 49 GTG	Graphite Blue/Chalk	-BG		
	991 555 994 49 GRG	Espresso/Cognac	-BY		
	991 555 993 50	Door panel trim (leather)	left		
	991 555 993 50 A11	Black	-AZ		
(1)	991 555 993 50 OA1	agate grey	-FZ	1	PR:9VJ,625
	991 555 993 50 OH7	Graphite Blue	-HZ		
	991 555 993 50 OK6	saddle brown	-SZ		
	991 555 993 50 7J0	Luxor beige	-UZ		
	991 555 993 50 OG6	Bordeaux red	-LZ		
(1)	991 555 993 50 6J0	Espresso	-NE	1	PR:9VJ,625
	991 555 993 50	Door panel trim (leather) two-colour	left		
	991 555 993 50 DTO	Black/Luxor Beige	-BT		

Model: 991-16 Model life 2017>>

Pos	Part Number	Description	Remark	Qty	Model			
(1)	991 555 993 50 GUG	Black/Bordeaux Red	-BM	1	PR:9VJ,625			
	991 555 993 50 GTG	Graphite Blue/Chalk	-BG					
	991 555 993 50 GRG	Espresso/Cognac	-BY					
	991 555 994 50	Door panel trim (leather)	right					
	991 555 994 50 A11	Black	-AZ					
	991 555 994 50 OA1	agate grey	-FZ					
	991 555 994 50 OH7	Graphite Blue	-HZ					
	991 555 994 50 OK6	saddle brown	-SZ					
	991 555 994 50 7J0	Luxor beige	-UZ					
	991 555 994 50 OG6	Bordeaux red	-LZ					
(1)	991 555 994 50 6J0	Espresso	-NE	1	PR:9VJ,625			
	991 555 994 50	Door panel trim (leather)	right					
		two-colour						
	991 555 994 50 DTO	Black/Luxor Beige	-BT					
	991 555 994 50 GUG	Black/Bordeaux Red	-BM					
	991 555 994 50 GTG	Graphite Blue/Chalk	-BG					
	991 555 994 50 GRG	Espresso/Cognac	-BY					
	(1)	991 555 993 51	Door panel trim (leather)			left lhd	1	PR:9VK,537,625,098
		991 555 993 51 A11	Black			-AZ		
		991 555 993 51 OA1	agate grey			-FZ		
991 555 993 51 OH7		Graphite Blue	-HZ					
991 555 993 51 OK6		saddle brown	-SZ					
991 555 993 51 7J0		Luxor beige	-UZ					
991 555 993 51 OG6		Bordeaux red	-LZ					
991 555 993 51 6J0		Espresso	-NE					
(1)		991 555 993 51	Door panel trim (leather)	left lhd	1	PR:9VK,537,625,098		
			two-colour					
	991 555 993 51 DTO	Black/Luxor Beige	-BT					
	991 555 993 51 GUG	Black/Bordeaux Red	-BM					
	991 555 993 51 GTG	Graphite Blue/Chalk	-BG					
	991 555 993 51 GRG	Espresso/Cognac	-BY					
	(1)	991 555 994 51	Door panel trim (leather)	right rhd			1	PR:9VK,538,625,099
		991 555 994 51 A11	Black	-AZ				
		991 555 994 51 OA1	agate grey	-FZ				
		991 555 994 51 OH7	Graphite Blue	-HZ				
991 555 994 51 OK6		saddle brown	-SZ					
991 555 994 51 7J0		Luxor beige	-UZ					
991 555 994 51 OG6		Bordeaux red	-LZ					
991 555 994 51 6J0		Espresso	-NE					
(1)		991 555 994 51	Door panel trim (leather)	right rhd	1	PR:9VK,538,625,099		
			two-colour					
	991 555 994 51 DTO	Black/Luxor Beige	-BT					
	991 555 994 51 GUG	Black/Bordeaux Red	-BM					
	991 555 994 51 GTG	Graphite Blue/Chalk	-BG					
	991 555 994 51 GRG	Espresso/Cognac	-BY					
	(1)	991 555 993 52	Door panel trim (leather)	left lhd			1	PR:9VL,537,625,098
		991 555 993 52 A11	Black	-AZ				
		991 555 993 52 OA1	agate grey	-FZ				
		991 555 993 52 OH7	Graphite Blue	-HZ				
991 555 993 52 OK6		saddle brown	-SZ					
991 555 993 52 7J0		Luxor beige	-UZ					
991 555 993 52 OG6		Bordeaux red	-LZ					
991 555 993 52 6J0		Espresso	-NE					
(1)		991 555 993 52	Door panel trim (leather)	left lhd	1	PR:9VL,537,625,098		
			two-colour					
	991 555 993 52 DTO	Black/Luxor Beige	-BT					
	991 555 993 52 GUG	Black/Bordeaux Red	-BM					

Model: 991-16 Model life 2017>>

Pos	Part Number	Description	Remark	Qty	Model
(1)	991 555 993 52 GTG	Graphite Blue/Chalk	-BG	1	PR:9VL,538, 625,099
	991 555 993 52 GRG	Espresso/Cognac	-BY		
	991 555 994 52	Door panel trim (leather)	right rhd		
	991 555 994 52 A11	Black	-AZ		
	991 555 994 52 OA1	agate grey	-FZ		
	991 555 994 52 OH7	Graphite Blue	-HZ		
	991 555 994 52 OK6	saddle brown	-SZ		
	991 555 994 52 7J0	Luxor beige	-UZ		
	991 555 994 52 OG6	Bordeaux red	-LZ		
	991 555 994 52 6J0	Espresso	-NE		
(1)	991 555 994 52	Door panel trim (leather)	right rhd	1	PR:9VL,538, 625,099
		two-colour			
	991 555 994 52 DTO	Black/Luxor Beige	-BT		
	991 555 994 52 GUG	Black/Bordeaux Red	-BM		
	991 555 994 52 GTG	Graphite Blue/Chalk	-BG		
	991 555 994 52 GRG	Espresso/Cognac	-BY		
	991 555 993 53	Door panel trim (leather)	left lhd		
	991 555 993 53 A11	Black	-AZ		
	991 555 993 53 OA1	agate grey	-FZ		
	991 555 993 53 OH7	Graphite Blue	-HZ		
(1)	991 555 993 53 OK6	saddle brown	-SZ	1	PR:9VJ,537, 625,098
	991 555 993 53 7J0	Luxor beige	-UZ		
	991 555 993 53 OG6	Bordeaux red	-LZ		
	991 555 993 53 6J0	Espresso	-NE		
	991 555 993 53	Door panel trim (leather)	left lhd		
		two-colour			
	991 555 993 53 DTO	Black/Luxor Beige	-BT		
	991 555 993 53 GUG	Black/Bordeaux Red	-BM		
	991 555 993 53 GTG	Graphite Blue/Chalk	-BG		
	991 555 993 53 GRG	Espresso/Cognac	-BY		
(1)	991 555 994 53	Door panel trim (leather)	right rhd	1	PR:9VJ,538, 625
	991 555 994 53 A11	Black	-AZ		
	991 555 994 53 OA1	agate grey	-FZ		
	991 555 994 53 OH7	Graphite Blue	-HZ		
	991 555 994 53 OK6	saddle brown	-SZ		
	991 555 994 53 7J0	Luxor beige	-UZ		
	991 555 994 53 OG6	Bordeaux red	-LZ		
	991 555 994 53 6J0	Espresso	-NE		
	991 555 994 53	Door panel trim (leather)	right rhd		
		two-colour			
(1)	991 555 994 53 DTO	Black/Luxor Beige	-BT	1	PR:9VJ,538, 625,099
	991 555 994 53 GUG	Black/Bordeaux Red	-BM		
	991 555 994 53 GTG	Graphite Blue/Chalk	-BG		
	991 555 994 53 GRG	Espresso/Cognac	-BY		
	999 507 533 02	Clamp			
	8,0 X 10,0 /2,5				
	991 555 521 02	Inner actuator	left		
	991 555 521 02 V08	Galvano silver			
	991 555 522 02	Inner actuator	right		
	991 555 522 02 V08	Galvano silver			
4	991 555 533 00	Pull handle	left	1	
		Leather			
(1)	991 555 533 00 A11	Black	-AZ	1	
	991 555 533 00 OA1	agate grey	-FZ		
	991 555 533 00 OH7	Graphite Blue	-HZ		
	991 555 533 00 OK6	saddle brown	-SZ		
	991 555 533 00 7J0	Luxor beige	-UZ,BT		

Model: 991-16 Model life 2017>>

Pos	Part Number	Description	Remark	Qty	Model
	991 555 533 00 OG6	Bordeaux red	-LZ, BM		
	991 555 533 00 OL8	Chalk KREIDE	-BG		
	991 555 533 00 6J0	Espresso	-NE		
	991 555 533 00 7F0	Cognac	-BY		
(4)	991 555 534 00	Pull handle (leather)	right	1	
	991 555 534 00 A11	Black	-AZ		
	991 555 534 00 OA1	agate grey	-FZ		
	991 555 534 00 OH7	Graphite Blue	-HZ		
	991 555 534 00 OK6	saddle brown	-SZ		
	991 555 534 00 7J0	Luxor beige	-UZ, BT		
	991 555 534 00 OG6	Bordeaux red	-LZ, BM		
	991 555 534 00 OL8	Chalk KREIDE	-BG		
	991 555 534 00 6J0	Espresso	-NE		
	991 555 534 00 7F0	Cognac	-BY		
5	999 919 262 01	fillister hd. bolt 4,0 X 16,0		9	
6	1K0 947 419 A	rear light reflector		2	
7	7PP 945 699	inscription Bose		2	
8	991 555 723 02	Mounting frame Switch		1	
	991 555 723 02 1E0	Black			
9	991 555 721 02	Cover	left	1	
	991 555 721 02 5Q0	Black	front -AZ, BT, BM		
	991 555 721 02 OA6	agate grey	-FZ		
	991 555 721 02 OH7	Graphite Blue	-HZ, BG		
	991 555 721 02 OL7	saddle brown	-SZ		
	991 555 721 02 6W0	Luxor beige	-UZ		
	991 555 721 02 OG6	Bordeaux red	-LZ		
	991 555 721 02 3T0	Espresso	-NE, BY		
(9)	991 555 722 02	Cover	right front	1	
	991 555 722 02 5Q0	Black	-AZ, BT, BM		
	991 555 722 02 OA6	agate grey	-FZ		
	991 555 722 02 OH7	Graphite Blue	-HZ, BG		
	991 555 722 02 OL7	saddle brown	-SZ		
	991 555 722 02 6W0	Luxor beige	-UZ		
	991 555 722 02 OG6	Bordeaux red	-LZ		
	991 555 722 02 3T0	Espresso	-NE, BY		
10	7PP 837 247	Cover panel Inner actuator	left	1	
	7PP 837 247 1E0	Black			
(10)	7PP 837 248	Cover panel Inner actuator	right	1	
	7PP 837 248 1E0	Black			
11	991 555 683 01	cover for airbag	left	1	
	991 555 683 01 5Q0	Black	-AZ, BT, BM		
	991 555 683 01 OA6	agate grey	-FZ		
	991 555 683 01 OH7	Graphite Blue	-HZ, BG		
	991 555 683 01 OL7	saddle brown	-SZ		
	991 555 683 01 6W0	Luxor beige	-UZ		
	991 555 683 01 OG6	Bordeaux red	-LZ		
	991 555 683 01 3T0	Espresso	-NE, BY		
(11)	991 555 684 01	cover for airbag	right	1	
	991 555 684 01 5Q0	Black	-AZ, BT, BM		
	991 555 684 01 OA6	agate grey	-FZ		
	991 555 684 01 OH7	Graphite Blue	-HZ, BG		
	991 555 684 01 OL7	saddle brown	-SZ		
	991 555 684 01 6W0	Luxor beige	-UZ		
	991 555 684 01 OG6	Bordeaux red	-LZ		

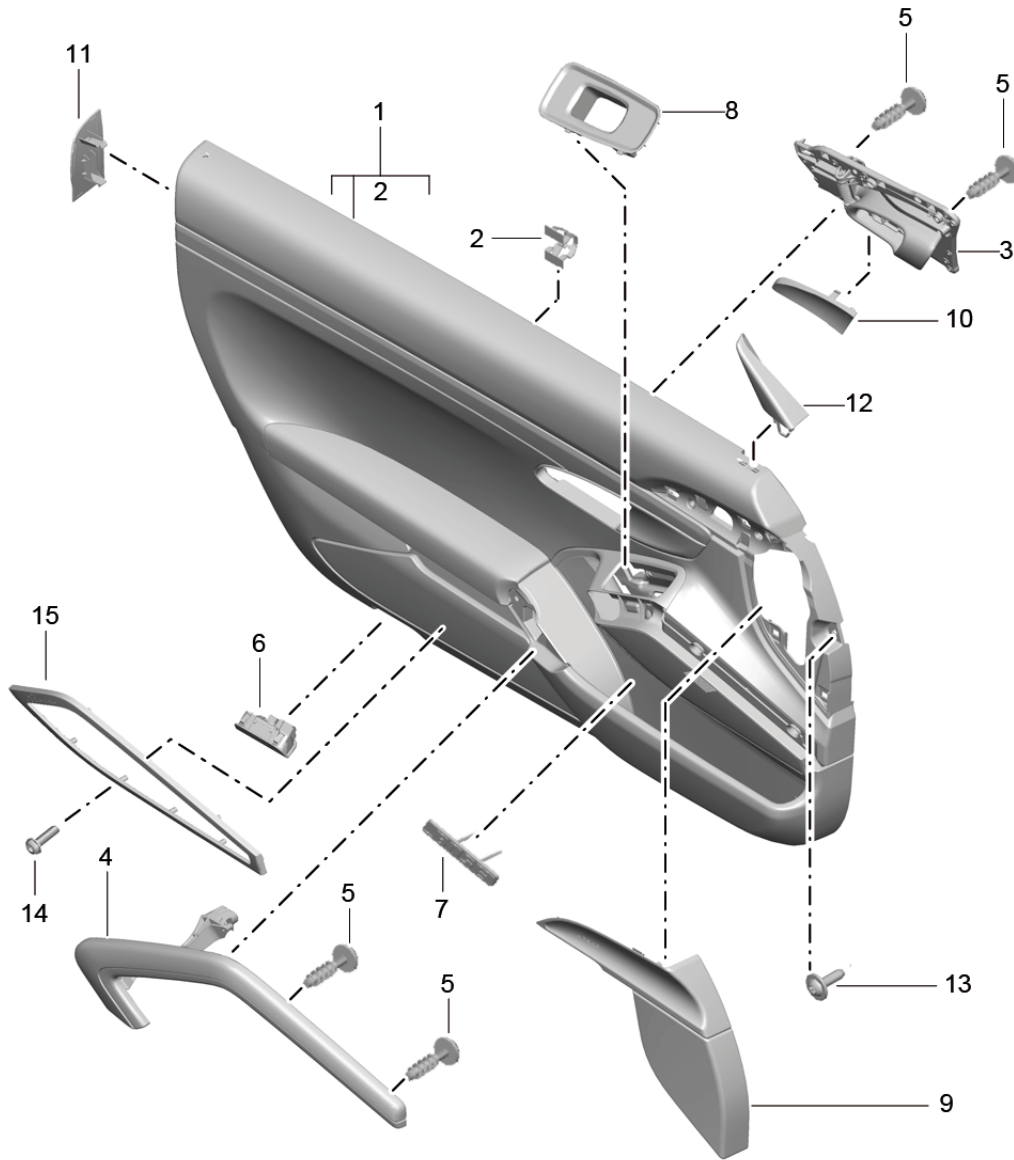
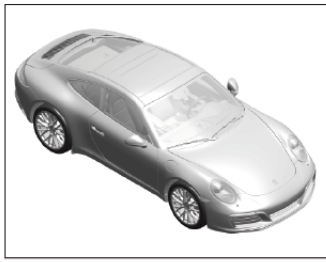
Model: 991-16

Model life 2017>>

Pos	Part Number	Description	Remark	Qty	Model
12	991 555 684 01 3T0 991 555 741 00	Espresso Cover panel window frame	-NE,BY left	1	
(12)	991 555 741 00 1E0 991 555 742 00	Black Cover panel window frame	right	1	
13	991 555 742 00 1E0 999 073 322 02	Black fillister hd. bolt M 6 X 20		8	
14	999 919 203 07	fillister hd. bolt M 3 X 10		10	
15	991 555 581 00	decorative frame Loudspeaker trim	left	1	PR:9VJ
(15)	991 555 581 00 V08 991 555 582 00	Galvano silver decorative frame Loudspeaker trim	right	1	PR:9VJ
	991 555 582 00 V08	Galvano silver			

Model: 991-16

Model life 2017>>



Model: 991-16 Model life 2017>>

Pos	Part Number	Description	Remark	Qty	Model
		door panel Accessories Leather Trim Carbon			PR:981,XWC
(1)	991 555 993 12	Door panel trim (leather)	left	1	PR:9VK
	991 555 993 12 A11	Black	-AZ		
	991 555 993 12 OA1	agate grey	-FZ		
	991 555 993 12 OH7	Graphite Blue	-HZ		
	991 555 993 12 OK6	saddle brown	-SZ		
	991 555 993 12 7J0	Luxor beige	-UZ		
	991 555 993 12 OG6	Bordeaux red	-LZ		
	991 555 993 12 6J0	Espresso	-NE		
	991 555 993 12 JHB	Black/Dark Silver	-TD		
(1)	991 555 993 12	Door panel trim (leather) two-colour	left	1	PR:9VK
	991 555 993 12 DTO	Black/Luxor Beige	-BT		
	991 555 993 12 GUG	Black/Bordeaux Red	-BM		
	991 555 993 12 GTG	Graphite Blue/Chalk	-BG		
	991 555 993 12 GRG	Espresso/Cognac	-BY		
(1)	991 555 994 12	Door panel trim (leather)	right	1	PR:9VK
	991 555 994 12 A11	Black	-AZ		
	991 555 994 12 OA1	agate grey	-FZ		
	991 555 994 12 OH7	Graphite Blue	-HZ		
	991 555 994 12 OK6	saddle brown	-SZ		
	991 555 994 12 7J0	Luxor beige	-UZ		
	991 555 994 12 OG6	Bordeaux red	-LZ		
	991 555 994 12 6J0	Espresso	-NE		
	991 555 994 12 JHB	Black/Dark Silver	-TD		
(1)	991 555 994 12	Door panel trim (leather) two-colour	right	1	PR:9VK
	991 555 994 12 DTO	Black/Luxor Beige	-BT		
	991 555 994 12 GUG	Black/Bordeaux Red	-BM		
	991 555 994 12 GTG	Graphite Blue/Chalk	-BG		
	991 555 994 12 GRG	Espresso/Cognac	-BY		
(1)	991 555 993 13	Door panel trim (leather) Leather	left	1	PR:9VL
	991 555 993 13 A11	Black	-AZ		
	991 555 993 13 OA1	agate grey	-FZ		
	991 555 993 13 OH7	Graphite Blue	-HZ		
	991 555 993 13 OK6	saddle brown	-SZ		
	991 555 993 13 7J0	Luxor beige	-UZ		
	991 555 993 13 OG6	Bordeaux red	-LZ		
	991 555 993 13 6J0	Espresso	-NE		
	991 555 993 13 JHB	Black/Dark Silver	-TD		
(1)	991 555 993 13	Door panel trim (leather) Leather two-colour	left	1	PR:9VL
	991 555 993 13 DTO	Black/Luxor Beige	-BT		
	991 555 993 13 GUG	Black/Bordeaux Red	-BM		
	991 555 993 13 GTG	Graphite Blue/Chalk	-BG		
	991 555 993 13 GRG	Espresso/Cognac	-BY		
(1)	991 555 994 13	Door panel trim (leather) Leather	right	1	PR:9VL
	991 555 994 13 A11	Black	-AZ		
	991 555 994 13 OA1	agate grey	-FZ		
	991 555 994 13 OH7	Graphite Blue	-HZ		
	991 555 994 13 OK6	saddle brown	-SZ		
	991 555 994 13 7J0	Luxor beige	-UZ		
	991 555 994 13 OG6	Bordeaux red	-LZ		
	991 555 994 13 6J0	Espresso	-NE		
	991 555 994 13 JHB	Black/Dark Silver	-TD		
(1)	991 555 994 13	Door panel trim (leather)	right	1	PR:9VL



Model: 991-16 Model life 2017>>

Pos	Part Number	Description	Remark	Qty	Model
		Leather two-colour			
	991 555 994 13 DTO	Black/Luxor Beige	-BT		
	991 555 994 13 GUG	Black/Bordeaux Red	-BM		
	991 555 994 13 GTG	Graphite Blue/Chalk	-BG		
	991 555 994 13 GRG	Espresso/Cognac	-BY		
(1)	991 555 993 14	Door panel trim (leather)	left	1	PR:9VJ
	991 555 993 14 A11	Black	-AZ		
	991 555 993 14 OA1	agate grey	-FZ		
	991 555 993 14 OH7	Graphite Blue	-HZ		
	991 555 993 14 OK6	saddle brown	-SZ		
	991 555 993 14 7J0	Luxor beige	-UZ		
	991 555 993 14 OG6	Bordeaux red	-LZ		
	991 555 993 14 6J0	Espresso	-NE		
	991 555 993 14 JHB	Black/Dark Silver	-TD		
(1)	991 555 993 14	Door panel trim (leather)	left	1	PR:9VJ
		two-colour			
	991 555 993 14 DTO	Black/Luxor Beige	-BT		
	991 555 993 14 GUG	Black/Bordeaux Red	-BM		
	991 555 993 14 GTG	Graphite Blue/Chalk	-BG		
	991 555 993 14 GRG	Espresso/Cognac	-BY		
(1)	991 555 994 14	Door panel trim (leather)	right	1	PR:9VJ
	991 555 994 14 A11	Black	-AZ		
	991 555 994 14 OA1	agate grey	-FZ		
	991 555 994 14 OH7	Graphite Blue	-HZ		
	991 555 994 14 OK6	saddle brown	-SZ		
	991 555 994 14 7J0	Luxor beige	-UZ		
	991 555 994 14 OG6	Bordeaux red	-LZ		
	991 555 994 14 6J0	Espresso	-NE		
	991 555 994 14 JHB	Black/Dark Silver	-TD		
(1)	991 555 994 14	Door panel trim (leather)	right	1	PR:9VJ
		two-colour			
	991 555 994 14 DTO	Black/Luxor Beige	-BT		
	991 555 994 14 GUG	Black/Bordeaux Red	-BM		
	991 555 994 14 GTG	Graphite Blue/Chalk	-BG		
	991 555 994 14 GRG	Espresso/Cognac	-BY		
(1)	991 555 993 15	Door panel trim (leather)	left lhd	1	PR:9VK, 537, 098
	991 555 993 15 A11	Black	-AZ		
	991 555 993 15 OA1	agate grey	-FZ		
	991 555 993 15 OH7	Graphite Blue	-HZ		
	991 555 993 15 OK6	saddle brown	-SZ		
	991 555 993 15 7J0	Luxor beige	-UZ		
	991 555 993 15 OG6	Bordeaux red	-LZ		
	991 555 993 15 6J0	Espresso	-NE		
	991 555 993 15 JHB	Black/Dark Silver	-TD		
(1)	991 555 993 15	Door panel trim (leather)	left lhd	1	PR:9VK, 537, 098
		two-colour			
	991 555 993 15 DTO	Black/Luxor Beige	-BT		
	991 555 993 15 GUG	Black/Bordeaux Red	-BM		
	991 555 993 15 GTG	Graphite Blue/Chalk	-BG		
	991 555 993 15 GRG	Espresso/Cognac	-BY		
(1)	991 555 994 15	Door panel trim (leather)	right rhd	1	PR:9VK, 538, 099
	991 555 994 15 A11	Black	-AZ		
	991 555 994 15 OA1	agate grey	-FZ		
	991 555 994 15 OH7	Graphite Blue	-HZ		
	991 555 994 15 OK6	saddle brown	-SZ		
	991 555 994 15 7J0	Luxor beige	-UZ		
	991 555 994 15 OG6	Bordeaux red	-LZ		
	991 555 994 15 6J0	Espresso	-NE		
	991 555 994 15 JHB	Black/Dark Silver	-TD		

Model: 991-16 Model life 2017>>

Pos	Part Number	Description	Remark	Qty	Model
(1)	991 555 994 15	Door panel trim (leather)	right rhd	1	PR:9VK,538,099
		two-colour			
	991 555 994 15 DTO	Black/Luxor Beige	-BT		
	991 555 994 15 GUG	Black/Bordeaux Red	-BM		
	991 555 994 15 GTG	Graphite Blue/Chalk	-BG		
	991 555 994 15 GRG	Espresso/Cognac	-BY		
(1)	991 555 993 16	Door panel trim (leather)	left lhd	1	PR:9VL,537,098
		two-colour			
	991 555 993 16 A11	Black	-AZ		
	991 555 993 16 OA1	agate grey	-FZ		
	991 555 993 16 OH7	Graphite Blue	-HZ		
	991 555 993 16 OK6	saddle brown	-SZ		
	991 555 993 16 7J0	Luxor beige	-UZ		
	991 555 993 16 OG6	Bordeaux red	-LZ		
	991 555 993 16 6J0	Espresso	-NE		
	991 555 993 16 JHB	Black/Dark Silver	-TD		
(1)	991 555 993 16	Door panel trim (leather)	left lhd	1	PR:9VL,537,098
		two-colour			
	991 555 993 16 DTO	Black/Luxor Beige	-BT		
	991 555 993 16 GUG	Black/Bordeaux Red	-BM		
	991 555 993 16 GTG	Graphite Blue/Chalk	-BG		
	991 555 993 16 GRG	Espresso/Cognac	-BY		
(1)	991 555 994 16	Door panel trim (leather)	right rhd	1	PR:9VL,538,099
		two-colour			
	991 555 994 16 A11	Black	-AZ		
	991 555 994 16 OA1	agate grey	-FZ		
	991 555 994 16 OH7	Graphite Blue	-HZ		
	991 555 994 16 OK6	saddle brown	-SZ		
	991 555 994 16 7J0	Luxor beige	-UZ		
	991 555 994 16 OG6	Bordeaux red	-LZ		
	991 555 994 16 6J0	Espresso	-NE		
	991 555 994 16 JHB	Black/Dark Silver	-TD		
(1)	991 555 994 16	Door panel trim (leather)	right rhd	1	PR:9VL,538,099
		two-colour			
	991 555 994 16 DTO	Black/Luxor Beige	-BT		
	991 555 994 16 GUG	Black/Bordeaux Red	-BM		
	991 555 994 16 GTG	Graphite Blue/Chalk	-BG		
	991 555 994 16 GRG	Espresso/Cognac	-BY		
(1)	991 555 993 17	Door panel trim (leather)	left lhd	1	PR:9VJ,537,098
		two-colour			
	991 555 993 17 A11	Black	-AZ		
	991 555 993 17 OA1	agate grey	-FZ		
	991 555 993 17 OH7	Graphite Blue	-HZ		
	991 555 993 17 OK6	saddle brown	-SZ		
	991 555 993 17 7J0	Luxor beige	-UZ		
	991 555 993 17 OG6	Bordeaux red	-LZ		
	991 555 993 17 6J0	Espresso	-NE		
	991 555 993 17 JHB	Black/Dark Silver	-TD		
(1)	991 555 993 17	Door panel trim (leather)	left lhd	1	PR:9VJ,537,098
		two-colour			
	991 555 993 17 DTO	Black/Luxor Beige	-BT		
	991 555 993 17 GUG	Black/Bordeaux Red	-BM		
	991 555 993 17 GTG	Graphite Blue/Chalk	-BG		
	991 555 993 17 GRG	Espresso/Cognac	-BY		
(1)	991 555 994 17	Door panel trim (leather)	right rhd	1	PR:9VJ,538,099
		two-colour			
	991 555 994 17 A11	Black	-AZ		
	991 555 994 17 OA1	agate grey	-FZ		
	991 555 994 17 OH7	Graphite Blue	-HZ		

Model: 991-16 Model life 2017>>

Pos	Part Number	Description	Remark	Qty	Model
	991 555 994 17 OK6	saddle brown	-SZ		
	991 555 994 17 7J0	Luxor beige	-UZ		
	991 555 994 17 OG6	Bordeaux red	-LZ		
	991 555 994 17 6J0	Espresso	-NE		
	991 555 994 17 JHB	Black/Dark Silver	-TD		
(1)	991 555 994 17	Door panel trim (leather)	right rhd	1	PR:9VJ,538,099
		two-colour			
	991 555 994 17 DTO	Black/Luxor Beige	-BT		
	991 555 994 17 GUG	Black/Bordeaux Red	-BM		
	991 555 994 17 GTG	Graphite Blue/Chalk	-BG		
	991 555 994 17 GRG	Espresso/Cognac	-BY		
(1)	991 555 993 42	Door panel trim (leather)	left	1	PR:9VK,625
	991 555 993 42 A11	Black	-AZ		
	991 555 993 42 OA1	agate grey	-FZ		
	991 555 993 42 OH7	Graphite Blue	-HZ		
	991 555 993 42 OK6	saddle brown	-SZ		
	991 555 993 42 7J0	Luxor beige	-UZ		
	991 555 993 42 OG6	Bordeaux red	-LZ		
	991 555 993 42 6J0	Espresso	-NE		
	991 555 993 42 JHB	Black/Dark Silver	-TD		
(1)	991 555 993 42	Door panel trim (leather)	left	1	PR:9VK,625
		two-colour			
	991 555 993 42 DTO	Black/Luxor Beige	-BT		
	991 555 993 42 GUG	Black/Bordeaux Red	-BM		
	991 555 993 42 GTG	Graphite Blue/Chalk	-BG		
	991 555 993 42 GRG	Espresso/Cognac	-BY		
(1)	991 555 994 42	Door panel trim (leather)	right	1	PR:9VK,625
	991 555 994 42 A11	Black	-AZ		
	991 555 994 42 OA1	agate grey	-FZ		
	991 555 994 42 OH7	Graphite Blue	-HZ		
	991 555 994 42 OK6	saddle brown	-SZ		
	991 555 994 42 7J0	Luxor beige	-UZ		
	991 555 994 42 OG6	Bordeaux red	-LZ		
	991 555 994 42 6J0	Espresso	-NE		
	991 555 994 42 JHB	Black/Dark Silver	-TD		
(1)	991 555 994 42	Door panel trim (leather)	right	1	PR:9VK,625
		two-colour			
	991 555 994 42 DTO	Black/Luxor Beige	-BT		
	991 555 994 42 GUG	Black/Bordeaux Red	-BM		
	991 555 994 42 GTG	Graphite Blue/Chalk	-BG		
	991 555 994 42 GRG	Espresso/Cognac	-BY		
(1)	991 555 993 43	Door panel trim (leather)	left	1	PR:9VL,625
	991 555 993 43 A11	Black	-AZ		
	991 555 993 43 OA1	agate grey	-FZ		
	991 555 993 43 OH7	Graphite Blue	-HZ		
	991 555 993 43 OK6	saddle brown	-SZ		
	991 555 993 43 7J0	Luxor beige	-UZ		
	991 555 993 43 OG6	Bordeaux red	-LZ		
	991 555 993 43 6J0	Espresso	-NE		
	991 555 993 43 JHB	Black/Dark Silver	-TD		
(1)	991 555 993 43	Door panel trim (leather)	left	1	PR:9VL,625
		two-colour			
	991 555 993 43 DTO	Black/Luxor Beige	-BT		
	991 555 993 43 GUG	Black/Bordeaux Red	-BM		
	991 555 993 43 GTG	Graphite Blue/Chalk	-BG		
	991 555 993 43 GRG	Espresso/Cognac	-BY		
(1)	991 555 994 43	Door panel trim (leather)	right	1	PR:9VL,625
	991 555 994 43 A11	Black	-AZ		
	991 555 994 43 OA1	agate grey	-FZ		
	991 555 994 43 OH7	Graphite Blue	-HZ		
	991 555 994 43 OK6	saddle brown	-SZ		
	991 555 994 43 7J0	Luxor beige	-UZ		

Model: 991-16 Model life 2017>>

Pos	Part Number	Description	Remark	Qty	Model
(1)	991 555 994 43 OG6	Bordeaux red	-LZ	1	PR:9VL,625
	991 555 994 43 6J0	Espresso	-NE		
	991 555 994 43 JHB	Black/Dark Silver	-TD		
	991 555 994 43	Door panel trim (leather) two-colour	right		
	991 555 994 43 DTO	Black/Luxor Beige	-BT		
(1)	991 555 994 43 GUG	Black/Bordeaux Red	-BM	1	PR:9VJ,625
	991 555 994 43 GTG	Graphite Blue/Chalk	-BG		
	991 555 994 43 GRG	Espresso/Cognac	-BY		
	991 555 993 44	Door panel trim (leather)	left		
	991 555 993 44 A11	Black	-AZ		
(1)	991 555 993 44 OA1	agate grey	-FZ	1	PR:9VJ,625
	991 555 993 44 OH7	Graphite Blue	-HZ		
	991 555 993 44 OK6	saddle brown	-SZ		
	991 555 993 44 7J0	Luxor beige	-UZ		
	991 555 993 44 OG6	Bordeaux red	-LZ		
(1)	991 555 993 44 6J0	Espresso	-NE	1	PR:9VJ,625
	991 555 993 44 JHB	Black/Dark Silver	-TD		
	991 555 993 44	Door panel trim (leather) two-colour	left		
	991 555 993 44 DTO	Black/Luxor Beige	-BT		
	991 555 993 44 GUG	Black/Bordeaux Red	-BM		
(1)	991 555 993 44 GTG	Graphite Blue/Chalk	-BG	1	PR:9VJ,625
	991 555 993 44 GRG	Espresso/Cognac	-BY		
	991 555 994 44	Door panel trim (leather)	right		
	991 555 994 44 A11	Black	-AZ		
	991 555 994 44 OA1	agate grey	-FZ		
(1)	991 555 994 44 OH7	Graphite Blue	-HZ	1	PR:9VJ,625
	991 555 994 44 OK6	saddle brown	-SZ		
	991 555 994 44 7J0	Luxor beige	-UZ		
	991 555 994 44 OG6	Bordeaux red	-LZ		
	991 555 994 44 6J0	Espresso	-NE		
(1)	991 555 994 44 JHB	Black/Dark Silver	-TD	1	PR:9VK,537, 625,098
	991 555 994 44	Door panel trim (leather) two-colour	right		
	991 555 994 44 DTO	Black/Luxor Beige	-BT		
	991 555 994 44 GUG	Black/Bordeaux Red	-BM		
	991 555 994 44 GTG	Graphite Blue/Chalk	-BG		
(1)	991 555 994 44 GRG	Espresso/Cognac	-BY	1	PR:9VK,537, 625,098
	991 555 993 45	Door panel trim (leather)	left lhd		
	991 555 993 45 A11	Black	-AZ		
	991 555 993 45 OA1	agate grey	-FZ		
	991 555 993 45 OH7	Graphite Blue	-HZ		
(1)	991 555 993 45 OK6	saddle brown	-SZ	1	PR:9VK,537, 625,098
	991 555 993 45 7J0	Luxor beige	-UZ		
	991 555 993 45 OG6	Bordeaux red	-LZ		
	991 555 993 45 6J0	Espresso	-NE		
	991 555 993 45 JHB	Black/Dark Silver	-TD		
(1)	991 555 993 45	Door panel trim (leather) two-colour	left lhd	1	PR:9VK,537, 625,098
	991 555 993 45 DTO	Black/Luxor Beige	-BT		
	991 555 993 45 GUG	Black/Bordeaux Red	-BM		
	991 555 993 45 GTG	Graphite Blue/Chalk	-SZ		
	991 555 993 45 GRG	Espresso/Cognac	-UZ		
(1)	991 555 994 45	Door panel trim (leather)	right rhd	1	PR:9VK,538, 625,099
	991 555 994 45 A11	Black	-AZ		
	991 555 994 45 OA1	agate grey	-FZ		
	991 555 994 45 OH7	Graphite Blue	-HZ		
	991 555 994 45 OK6	saddle brown	-SZ		
	991 555 994 45 7J0	Luxor beige	-UZ		

Model: 991-16 Model life 2017>>

Pos	Part Number	Description	Remark	Qty	Model
(1)	991 555 994 45 OG6	Bordeaux red	-LZ	1	PR:9VK,538, 625,099
	991 555 994 45 6J0	Espresso	-NE		
	991 555 994 45 JHB	Black/Dark Silver	-TD		
	991 555 994 45	Door panel trim (leather)	right rhd		
(1)		two-colour		1	PR:9VL,537, 625,098
	991 555 994 45 DTO	Black/Luxor Beige	-BT		
	991 555 994 45 GUG	Black/Bordeaux Red	-BM		
	991 555 994 45 GTG	Graphite Blue/Chalk	-BG		
	991 555 994 45 GRG	Espresso/Cognac	-BY		
	991 555 993 46	Door panel trim (leather)	left lhd		
	991 555 993 46 A11	Black	-AZ		
	991 555 993 46 OA1	agate grey	-FZ		
	991 555 993 46 OH7	Graphite Blue	-HZ		
	991 555 993 46 OK6	saddle brown	-SZ		
(1)	991 555 993 46 7J0	Luxor beige	-UZ	1	PR:9VL,537, 625,098
	991 555 993 46 OG6	Bordeaux red	-LZ		
	991 555 993 46 6J0	Espresso	-NE		
	991 555 993 46 JHB	Black/Dark Silver	-TD		
	991 555 993 46	Door panel trim (leather)	left lhd		
	991 555 993 46 DTO	Black/Luxor Beige	-BT		
	991 555 993 46 GUG	Black/Bordeaux Red	-BM		
	991 555 993 46 GTG	Graphite Blue/Chalk	-BG		
	991 555 993 46 GRG	Espresso/Cognac	-BY		
	991 555 994 46	Door panel trim (leather)	right rhd		
(1)	991 555 994 46 A11	Black	-AZ	1	PR:9VL,538, 625,099
	991 555 994 46 OA1	agate grey	-FZ		
	991 555 994 46 OH7	Graphite Blue	-HZ		
	991 555 994 46 OK6	saddle brown	-SZ		
	991 555 994 46 7J0	Luxor beige	-UZ		
	991 555 994 46 OG6	Bordeaux red	-LZ		
	991 555 994 46 6J0	Espresso	-NE		
	991 555 994 46 JHB	Black/Dark Silver	-TD		
	991 555 994 46	Door panel trim (leather)	right rhd		
	991 555 994 46	two-colour			
(1)	991 555 994 46 DTO	Black/Luxor Beige	-BT	1	PR:9VJ,537, 625,098
	991 555 994 46 GUG	Black/Bordeaux Red	-BM		
	991 555 994 46 GTG	Graphite Blue/Chalk	-BG		
	991 555 994 46 GRG	Espresso/Cognac	-BY		
	991 555 993 47	Door panel trim (leather)	left lhd		
	991 555 993 47 A11	Black	-AZ		
	991 555 993 47 OA1	agate grey	-FZ		
	991 555 993 47 OH7	Graphite Blue	-HZ		
	991 555 993 47 OK6	saddle brown	-SZ		
	991 555 993 47 7J0	Luxor beige	-UZ		
(1)	991 555 993 47 OG6	Bordeaux red	-LZ	1	PR:9VJ,537, 625,098
	991 555 993 47 6J0	Espresso	-NE		
	991 555 993 47 JHB	Black/Dark Silver	-TD		
	991 555 993 47	Door panel trim (leather)	left lhd		
	991 555 993 47 DTO	Black/Luxor Beige	-BT		
	991 555 993 47 GUG	Black/Bordeaux Red	-BM		
	991 555 993 47 GTG	Graphite Blue/Chalk	-BG		
	991 555 993 47 GRG	Espresso/Cognac	-BY		
	991 555 994 47	Door panel trim (leather)	right rhd		
	991 555 994 47	two-colour			
(1)	991 555 994 47	Door panel trim (leather)	right rhd	1	PR:9VJ,538, 625,099

Model: 991-16 Model life 2017>>

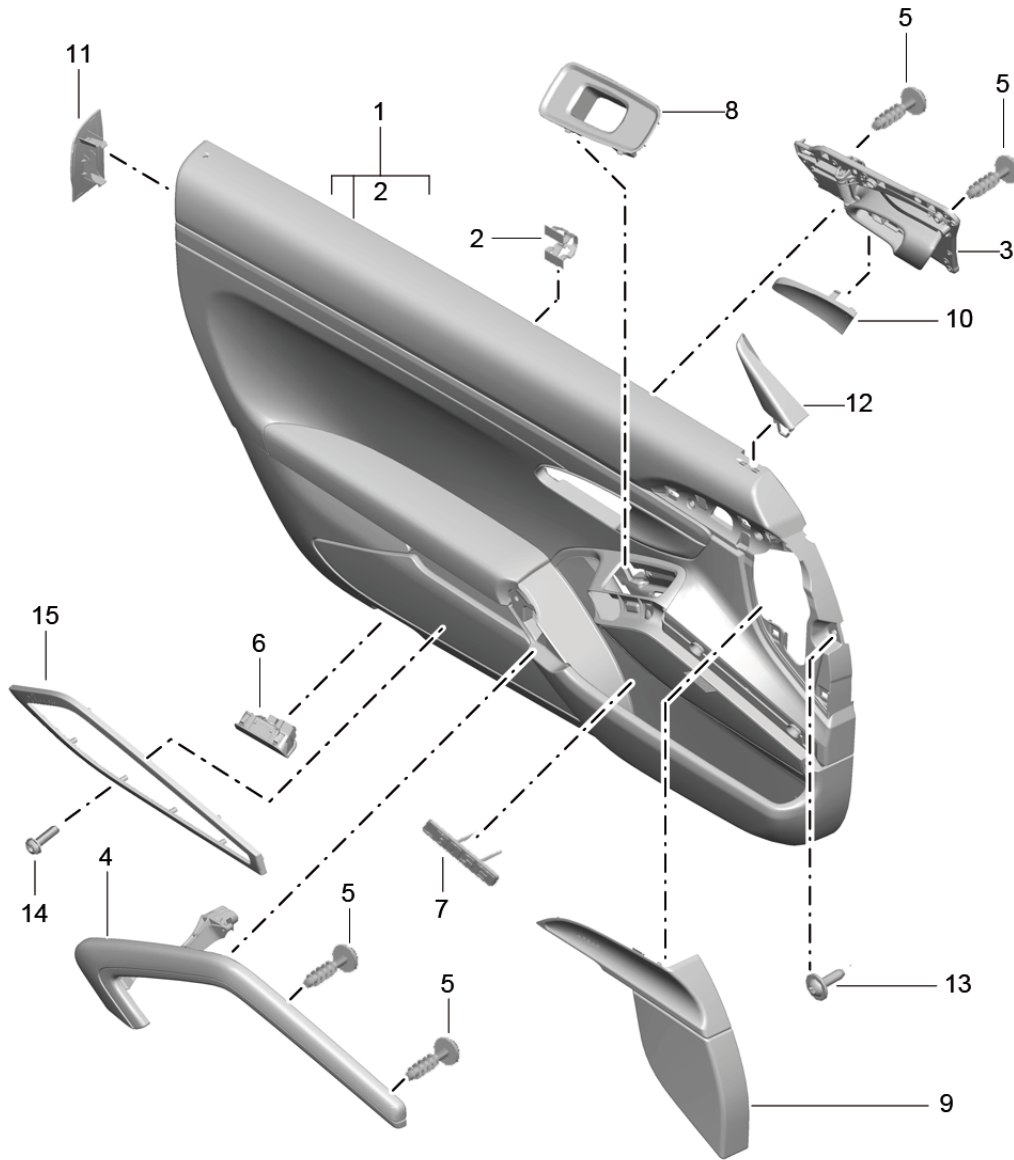
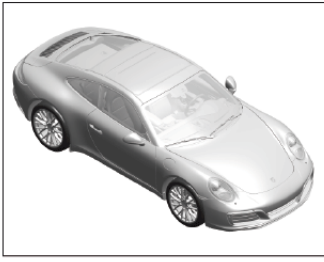
Pos	Part Number	Description	Remark	Qty	Model
	991 555 994 47 A11	Black	-AZ		
	991 555 994 47 OA1	agate grey	-FZ		
	991 555 994 47 OH7	Graphite Blue	-HZ		
	991 555 994 47 OK6	saddle brown	-SZ		
	991 555 994 47 7J0	Luxor beige	-UZ		
	991 555 994 47 OG6	Bordeaux red	-LZ		
	991 555 994 47 6J0	Espresso	-NE		
	991 555 994 47 JHB	Black/Dark Silver	-TD		
(1)	991 555 994 47	Door panel trim (leather)	right rhd	1	PR:9VJ,538, 625,099
		two-colour			
	991 555 994 47 DTO	Black/Luxor Beige	-BT		
	991 555 994 47 GUG	Black/Bordeaux Red	-BM		
	991 555 994 47 GTG	Graphite Blue/Chalk	-BG		
	991 555 994 47 GRG	Espresso/Cognac	-BY		
2	999 507 533 02	Clamp		4	
		8,0 X 10,0 /2,5			
3	991 555 521 02	Inner actuator	left	1	
	991 555 521 02 V08	Galvano silver			
(3)	991 555 522 02	Inner actuator	right	1	
	991 555 522 02 V08	Galvano silver			
4	991 555 533 00	Pull handle	left	1	
		Leather			
	991 555 533 00 A11	Black	-AZ		
	991 555 533 00 OA1	agate grey	-FZ		
	991 555 533 00 OH7	Graphite Blue	-HZ		
	991 555 533 00 OK6	saddle brown	-SZ		
	991 555 533 00 7J0	Luxor beige	-UZ,BT		
	991 555 533 00 OG6	Bordeaux red	-LZ,BM		
	991 555 533 00 OL8	Chalk	-BG		
		KREIDE			
	991 555 533 00 6J0	Espresso	-NE		
	991 555 533 00 7F0	Cognac	-BY		
(4)	991 555 534 00	Pull handle (leather)	right	1	
	991 555 534 00 A11	Black	-AZ		
	991 555 534 00 OA1	agate grey	-FZ		
	991 555 534 00 OH7	Graphite Blue	-HZ		
	991 555 534 00 OK6	saddle brown	-SZ		
	991 555 534 00 7J0	Luxor beige	-UZ,BT		
	991 555 534 00 OG6	Bordeaux red	-LZ,BM		
	991 555 534 00 OL8	Chalk	-BG		
		KREIDE			
	991 555 534 00 6J0	Espresso	-NE		
	991 555 534 00 7F0	Cognac	-BY		
5	999 919 262 01	fillister hd. bolt		9	
		4,0 X 16,0			
6	1K0 947 419 A	rear light reflector		2	
7	7PP 945 699	inscription		2	
		Bose			
8	991 555 723 02	Mounting frame		1	
		Switch			
	991 555 723 02 1E0	Black			
9	991 555 721 02	Cover	left	1	
		front			
	991 555 721 02 5Q0	Black	-AZ,BT,BM		
	991 555 721 02 OA6	agate grey	-FZ		
	991 555 721 02 OH7	Graphite Blue	-HZ,BG		
	991 555 721 02 OL7	saddle brown	-SZ		
	991 555 721 02 6W0	Luxor beige	-UZ		
	991 555 721 02 OG6	Bordeaux red	-LZ		
	991 555 721 02 3T0	Espresso	-NE,BY		
(9)	991 555 722 02	Cover	right	1	
		front			

Model: 991-16 Model life 2017>>

Pos	Part Number	Description	Remark	Qty	Model
	991 555 722 02 5Q0	Black	-AZ,BT,BM		
	991 555 722 02 OA6	agate grey	-FZ		
	991 555 722 02 OH7	Graphite Blue	-HZ,BG		
	991 555 722 02 OL7	saddle brown	-SZ		
	991 555 722 02 6W0	Luxor beige	-UZ		
	991 555 722 02 OG6	Bordeaux red	-LZ		
	991 555 722 02 3T0	Espresso	-NE,BY		
10	7PP 837 247	Cover panel	left	1	
		Inner actuator			
	7PP 837 247 1E0	Black			
(10)	7PP 837 248	Cover panel	right	1	
		Inner actuator			
	7PP 837 248 1E0	Black			
11	991 555 683 01	cover for airbag	left	1	
	991 555 683 01 5Q0	Black	-AZ,BT,BM		
	991 555 683 01 OA6	agate grey	-FZ		
	991 555 683 01 OH7	Graphite Blue	-HZ,BG		
	991 555 683 01 OL7	saddle brown	-SZ		
	991 555 683 01 6W0	Luxor beige	-UZ		
	991 555 683 01 OG6	Bordeaux red	-LZ		
	991 555 683 01 3T0	Espresso	-NE,BY		
(11)	991 555 684 01	cover for airbag	right	1	
	991 555 684 01 5Q0	Black	-AZ,BT,BM		
	991 555 684 01 OA6	agate grey	-FZ		
	991 555 684 01 OH7	Graphite Blue	-HZ,BG		
	991 555 684 01 OL7	saddle brown	-SZ		
	991 555 684 01 6W0	Luxor beige	-UZ		
	991 555 684 01 OG6	Bordeaux red	-LZ		
	991 555 684 01 3T0	Espresso	-NE,BY		
12	991 555 741 00	Cover panel	left	1	
		window frame			
	991 555 741 00 1E0	Black			
(12)	991 555 742 00	Cover panel	right	1	
		window frame			
	991 555 742 00 1E0	Black			
13	999 073 322 02	fillister hd. bolt		8	
		M 6 X 20			
14	999 919 203 07	fillister hd. bolt		10	
		M 3 X 10			
15	991 555 581 00	decorative frame	left	1	PR:9VJ
		Loudspeaker trim			
	991 555 581 00 V08	Galvano silver			
(15)	991 555 582 00	decorative frame	right	1	PR:9VJ
		Loudspeaker trim			
	991 555 582 00 V08	Galvano silver			

Model: 991-16

Model life 2017>>





Model: 991-16

Model life 2017&gt;&gt;

Pos	Part Number	Description	Remark	Qty	Model
		door panel Accessories Leather Trim Aluminium, brushed			PR:981,XWD
(1)	991 555 993 24	Door panel trim (leather)	left	1	PR:9VK
	991 555 993 24 A11	Black	-AZ		
	991 555 993 24 OA1	agate grey	-FZ		
	991 555 993 24 OH7	Graphite Blue	-HZ		
	991 555 993 24 OK6	saddle brown	-SZ		
	991 555 993 24 7J0	Luxor beige	-UZ		
	991 555 993 24 OG6	Bordeaux red	-LZ		
	991 555 993 24 6J0	Espresso	-NE		
(1)	991 555 993 24	Door panel trim (leather) two-colour	left	1	PR:9VK
	991 555 993 24 DTO	Black/Luxor Beige	-BT		
	991 555 993 24 GUG	Black/Bordeaux Red	-BM		
	991 555 993 24 GTG	Graphite Blue/Chalk	-BG		
	991 555 993 24 GRG	Espresso/Cognac	-BY		
(1)	991 555 994 24	Door panel trim (leather)	right	1	PR:9VK
	991 555 994 24 A11	Black	-AZ		
	991 555 994 24 OA1	agate grey	-FZ		
	991 555 994 24 OH7	Graphite Blue	-HZ		
	991 555 994 24 OK6	saddle brown	-SZ		
	991 555 994 24 7J0	Luxor beige	-UZ		
	991 555 994 24 OG6	Bordeaux red	-LZ		
	991 555 994 24 6J0	Espresso	-NE		
(1)	991 555 994 24	Door panel trim (leather) two-colour	right	1	PR:9VK
	991 555 994 24 DTO	Black/Luxor Beige	-BT		
	991 555 994 24 GUG	Black/Bordeaux Red	-BM		
	991 555 994 24 GTG	Graphite Blue/Chalk	-BG		
	991 555 994 24 GRG	Espresso/Cognac	-BY		
(1)	991 555 993 25	door panel Leather	left	1	PR:9VL
	991 555 993 25 A11	Black	-AZ		
	991 555 993 25 OA1	agate grey	-FZ		
	991 555 993 25 OH7	Graphite Blue	-HZ		
	991 555 993 25 OK6	saddle brown	-SZ		
	991 555 993 25 7J0	Luxor beige	-UZ		
	991 555 993 25 OG6	Bordeaux red	-LZ		
	991 555 993 25 6J0	Espresso	-NE		
(1)	991 555 993 25	door panel Leather two-colour	left	1	PR:9VL
	991 555 993 25 DTO	Black/Luxor Beige	-BT		
	991 555 993 25 GUG	Black/Bordeaux Red	-BM		
	991 555 993 25 GTG	Graphite Blue/Chalk	-BG		
	991 555 993 25 GRG	Espresso/Cognac	-BY		
(1)	991 555 994 25	door panel Leather	right	1	PR:9VL
	991 555 994 25 A11	Black	-AZ		
	991 555 994 25 OA1	agate grey	-FZ		
	991 555 994 25 OH7	Graphite Blue	-HZ		
	991 555 994 25 OK6	saddle brown	-SZ		
	991 555 994 25 7J0	Luxor beige	-UZ		
	991 555 994 25 OG6	Bordeaux red	-LZ		
	991 555 994 25 6J0	Espresso	-NE		
(1)	991 555 994 25	door panel Leather two-colour	right	1	PR:9VL
	991 555 994 25 DTO	Black/Luxor Beige	-BT		
	991 555 994 25 GUG	Black/Bordeaux Red	-BM		

Model: 991-16 Model life 2017>>

Pos	Part Number	Description	Remark	Qty	Model
	991 555 994 25 GTG	Graphite Blue/Chalk	-BG		
	991 555 994 25 GRG	Espresso/Cognac	-BY		
(1)	991 555 993 26	Door panel trim (leather)	left	1	PR:9VJ
	991 555 993 26 A11	Black	-AZ		
	991 555 993 26 OA1	agate grey	-FZ		
	991 555 993 26 OH7	Graphite Blue	-HZ		
	991 555 993 26 OK6	saddle brown	-SZ		
	991 555 993 26 7J0	Luxor beige	-UZ		
	991 555 993 26 OG6	Bordeaux red	-LZ		
	991 555 993 26 6J0	Espresso	-NE		
(1)	991 555 993 26	Door panel trim (leather)	left	1	PR:9VJ
		two-colour			
	991 555 993 26 DTO	Black/Luxor Beige	-BT		
	991 555 993 26 GUG	Black/Bordeaux Red	-BM		
	991 555 993 26 GTG	Graphite Blue/Chalk	-BG		
	991 555 993 26 GRG	Espresso/Cognac	-BY		
(1)	991 555 994 26	Door panel trim (leather)	right	1	PR:9VJ
	991 555 994 26 A11	Black	-AZ		
	991 555 994 26 OA1	agate grey	-FZ		
	991 555 994 26 OH7	Graphite Blue	-HZ		
	991 555 994 26 OK6	saddle brown	-SZ		
	991 555 994 26 7J0	Luxor beige	-UZ		
	991 555 994 26 OG6	Bordeaux red	-LZ		
	991 555 994 26 6J0	Espresso	-NE		
(1)	991 555 994 26	Door panel trim (leather)	right	1	PR:9VJ
		two-colour			
	991 555 994 26 DTO	Black/Luxor Beige	-BT		
	991 555 994 26 GUG	Black/Bordeaux Red	-BM		
	991 555 994 26 GTG	Graphite Blue/Chalk	-BG		
	991 555 994 26 GRG	Espresso/Cognac	-BY		
(1)	991 555 993 27	Door panel trim (leather)	left lhd	1	PR:9VK,537, 098
	991 555 993 27 A11	Black	-AZ		
	991 555 993 27 OA1	agate grey	-FZ		
	991 555 993 27 OH7	Graphite Blue	-HZ		
	991 555 993 27 OK6	saddle brown	-SZ		
	991 555 993 27 7J0	Luxor beige	-UZ		
	991 555 993 27 OG6	Bordeaux red	-LZ		
	991 555 993 27 6J0	Espresso	-NE		
(1)	991 555 993 27	Door panel trim (leather)	left lhd	1	PR:9VK,537, 098
		two-colour			
	991 555 993 27 DTO	Black/Luxor Beige	-BT		
	991 555 993 27 GUG	Black/Bordeaux Red	-BM		
	991 555 993 27 GTG	Graphite Blue/Chalk	-BG		
	991 555 993 27 GRG	Espresso/Cognac	-BY		
(1)	991 555 994 27	Door panel trim (leather)	right rhd	1	PR:9VK,538, 099
	991 555 994 27 A11	Black	-AZ		
	991 555 994 27 OA1	agate grey	-FZ		
	991 555 994 27 OH7	Graphite Blue	-HZ		
	991 555 994 27 OK6	saddle brown	-SZ		
	991 555 994 27 7J0	Luxor beige	-UZ		
	991 555 994 27 OG6	Bordeaux red	-LZ		
	991 555 994 27 6J0	Espresso	-NE		
(1)	991 555 994 27	Door panel trim (leather)	right rhd	1	PR:9VK,538, 099
		two-colour			
	991 555 994 27 DTO	Black/Luxor Beige	-BT		
	991 555 994 27 GUG	Black/Bordeaux Red	-BM		
	991 555 994 27 GTG	Graphite Blue/Chalk	-BG		
	991 555 994 27 GRG	Espresso/Cognac	-BY		
(1)	991 555 993 28	Door panel trim (leather)	left lhd	1	PR:9VL,537,

Model: 991-16

Model life 2017>>

Pos	Part Number	Description	Remark	Qty	Model
	991 555 993 28 A11	Black	-AZ		098
	991 555 993 28 OA1	agate grey	-FZ		
	991 555 993 28 OH7	Graphite Blue	-HZ		
	991 555 993 28 OK6	saddle brown	-SZ		
	991 555 993 28 7J0	Luxor beige	-UZ		
	991 555 993 28 OG6	Bordeaux red	-LZ		
	991 555 993 28 6J0	Espresso	-NE		
(1)	991 555 993 28	Door panel trim (leather)	left lhd	1	PR:9VL,537,098
		two-colour			
	991 555 993 28 DTO	Black/Luxor Beige	-BT		
	991 555 993 28 GUG	Black/Bordeaux Red	-BM		
	991 555 993 28 GTG	Graphite Blue/Chalk	-BG		
	991 555 993 28 GRG	Espresso/Cognac	-BY		
(1)	991 555 994 28	Door panel trim (leather)	right rhd	1	PR:9VL,538,099
		two-colour			
	991 555 994 28 A11	Black	-AZ		
	991 555 994 28 OA1	agate grey	-FZ		
	991 555 994 28 OH7	Graphite Blue	-HZ		
	991 555 994 28 OK6	saddle brown	-SZ		
	991 555 994 28 7J0	Luxor beige	-UZ		
	991 555 994 28 OG6	Bordeaux red	-LZ		
	991 555 994 28 6J0	Espresso	-NE		
(1)	991 555 994 28	Door panel trim (leather)	right rhd	1	PR:9VL,538,099
		two-colour			
	991 555 994 28 DTO	Black/Luxor Beige	-BT		
	991 555 994 28 GUG	Black/Bordeaux Red	-BM		
	991 555 994 28 GTG	Graphite Blue/Chalk	-BG		
	991 555 994 28 GRG	Espresso/Cognac	-BY		
(1)	991 555 993 29	Door panel trim (leather)	left lhd	1	PR:9VJ,537,098
		two-colour			
	991 555 993 29 A11	Black	-AZ		
	991 555 993 29 OA1	agate grey	-FZ		
	991 555 993 29 OH7	Graphite Blue	-HZ		
	991 555 993 29 OK6	saddle brown	-SZ		
	991 555 993 29 7J0	Luxor beige	-UZ		
	991 555 993 29 OG6	Bordeaux red	-LZ		
	991 555 993 29 6J0	Espresso	-NE		
(1)	991 555 993 29	Door panel trim (leather)	left lhd	1	PR:9VJ,537,098
		two-colour			
	991 555 993 29 DTO	Black/Luxor Beige	-BT		
	991 555 993 29 GUG	Black/Bordeaux Red	-BM		
	991 555 993 29 GTG	Graphite Blue/Chalk	-BG		
	991 555 993 29 GRG	Espresso/Cognac	-BY		
(1)	991 555 994 29	Door panel trim (leather)	right rhd	1	PR:9VJ,538,099
		two-colour			
	991 555 994 29 A11	Black	-AZ		
	991 555 994 29 OA1	agate grey	-FZ		
	991 555 994 29 OH7	Graphite Blue	-HZ		
	991 555 994 29 OK6	saddle brown	-SZ		
	991 555 994 29 7J0	Luxor beige	-UZ		
	991 555 994 29 OG6	Bordeaux red	-LZ		
	991 555 994 29 6J0	Espresso	-NE		
(1)	991 555 994 29	Door panel trim (leather)	right rhd	1	PR:9VJ,538,099
		two-colour			
	991 555 994 29 DTO	Black/Luxor Beige	-BT		
	991 555 994 29 GUG	Black/Bordeaux Red	-BM		
	991 555 994 29 GTG	Graphite Blue/Chalk	-BG		
	991 555 994 29 GRG	Espresso/Cognac	-BY		

Model: 991-16 Model life 2017>>

Pos	Part Number	Description	Remark	Qty	Model
(1)	991 555 993 54	Door panel trim (leather)	left	1	PR:9VK,625
	991 555 993 54 A11	Black	-AZ		
	991 555 993 54 OA1	agate grey	-FZ		
	991 555 993 54 OH7	Graphite Blue	-HZ		
	991 555 993 54 OK6	saddle brown	-SZ		
	991 555 993 54 7J0	Luxor beige	-UZ		
	991 555 993 54 OG6	Bordeaux red	-LZ		
	991 555 993 54 6J0	Espresso	-NE		
(1)	991 555 993 54	Door panel trim (leather)	left	1	PR:9VK,625
		two-colour			
	991 555 993 54 DTO	Black/Luxor Beige	-BT		
	991 555 993 54 GUG	Black/Bordeaux Red	-BM		
	991 555 993 54 GTG	Graphite Blue/Chalk	-BG		
	991 555 993 54 GRG	Espresso/Cognac	-BY		
(1)	991 555 994 54	Door panel trim (leather)	right	1	PR:9VK,625
	991 555 994 54 A11	Black	-AZ		
	991 555 994 54 OA1	agate grey	-FZ		
	991 555 994 54 OH7	Graphite Blue	-HZ		
	991 555 994 54 OK6	saddle brown	-SZ		
	991 555 994 54 7J0	Luxor beige	-UZ		
	991 555 994 54 OG6	Bordeaux red	-LZ		
	991 555 994 54 6J0	Espresso	-NE		
(1)	991 555 994 54	Door panel trim (leather)	right	1	PR:9VK,625
		two-colour			
	991 555 994 54 DTO	Black/Luxor Beige	-BT		
	991 555 994 54 GUG	Black/Bordeaux Red	-BM		
	991 555 994 54 GTG	Graphite Blue/Chalk	-BG		
	991 555 994 54 GRG	Espresso/Cognac	-BY		
(1)	991 555 993 55	Door panel trim (leather)	left	1	PR:9VL,625
	991 555 993 55 A11	Black	-AZ		
	991 555 993 55 OA1	agate grey	-FZ		
	991 555 993 55 OH7	Graphite Blue	-HZ		
	991 555 993 55 OK6	saddle brown	-SZ		
	991 555 993 55 7J0	Luxor beige	-UZ		
	991 555 993 55 OG6	Bordeaux red	-LZ		
	991 555 993 55 6J0	Espresso	-NE		
(1)	991 555 993 55	Door panel trim (leather)	left	1	PR:9VL,625
		two-colour			
	991 555 993 55 DTO	Black/Luxor Beige	-BT		
	991 555 993 55 GUG	Black/Bordeaux Red	-BM		
	991 555 993 55 GTG	Graphite Blue/Chalk	-BG		
	991 555 993 55 GRG	Espresso/Cognac	-BY		
(1)	991 555 994 55	Door panel trim (leather)	right	1	PR:9VL,625
	991 555 994 55 A11	Black	-AZ		
	991 555 994 55 OA1	agate grey	-FZ		
	991 555 994 55 OH7	Graphite Blue	-HZ		
	991 555 994 55 OK6	saddle brown	-SZ		
	991 555 994 55 7J0	Luxor beige	-UZ		
	991 555 994 55 OG6	Bordeaux red	-LZ		
	991 555 994 55 6J0	Espresso	-NE		
(1)	991 555 994 55	Door panel trim (leather)	right	1	PR:9VL,625
		two-colour			
	991 555 994 55 DTO	Black/Luxor Beige	-BT		
	991 555 994 55 GUG	Black/Bordeaux Red	-BM		
	991 555 994 55 GTG	Graphite Blue/Chalk	-BG		
	991 555 994 55 GRG	Espresso/Cognac	-BY		
(1)	991 555 993 56	Door panel trim (leather)	left	1	PR:9VJ,625
	991 555 993 56 A11	Black	-AZ		
	991 555 993 56 OA1	agate grey	-FZ		
	991 555 993 56 OH7	Graphite Blue	-HZ		
	991 555 993 56 OK6	saddle brown	-SZ		
	991 555 993 56 7J0	Luxor beige	-UZ		
	991 555 993 56 OG6	Bordeaux red	-LZ		

Model: 991-16 Model life 2017>>

Pos	Part Number	Description	Remark	Qty	Model
(1)	991 555 993 56 6J0	Espresso	-NE		
	991 555 993 56	Door panel trim (leather)	left	1	PR:9VJ,625
		two-colour			
	991 555 993 56 DTO	Black/Luxor Beige	-BT		
	991 555 993 56 GUG	Black/Bordeaux Red	-BM		
	991 555 993 56 GTG	Graphite Blue/Chalk	-BG		
	991 555 993 56 GRG	Espresso/Cognac	-BY		
(1)	991 555 994 56	Door panel trim (leather)	right	1	PR:9VJ,625
	991 555 994 56 A11	Black	-AZ		
	991 555 994 56 OA1	agate grey	-FZ		
	991 555 994 56 OH7	Graphite Blue	-HZ		
	991 555 994 56 OK6	saddle brown	-SZ		
	991 555 994 56 7J0	Luxor beige	-UZ		
	991 555 994 56 OG6	Bordeaux red	-LZ		
	991 555 994 56 6J0	Espresso	-NE		
(1)	991 555 994 56	Door panel trim (leather)	right	1	PR:9VJ,625
		two-colour			
	991 555 994 56 DTO	Black/Luxor Beige	-BT		
	991 555 994 56 GUG	Black/Bordeaux Red	-BM		
	991 555 994 56 GTG	Graphite Blue/Chalk	-BG		
	991 555 994 56 GRG	Espresso/Cognac	-BY		
(1)	991 555 993 57	Door panel trim (leather)	left lhd	1	PR:9VK,537, 625,098
	991 555 993 57 A11	Black	-AZ		
	991 555 993 57 OA1	agate grey	-FZ		
	991 555 993 57 OH7	Graphite Blue	-HZ		
	991 555 993 57 OK6	saddle brown	-SZ		
	991 555 993 57 7J0	Luxor beige	-UZ		
	991 555 993 57 OG6	Bordeaux red	-LZ		
	991 555 993 57 6J0	Espresso	-NE		
(1)	991 555 993 57	Door panel trim (leather)	left lhd	1	PR:9VK,537, 625,098
		two-colour			
	991 555 993 57 DTO	Black/Luxor Beige	-BT		
	991 555 993 57 GUG	Black/Bordeaux Red	-BM		
	991 555 993 57 GTG	Graphite Blue/Chalk	-SZ		
	991 555 993 57 GRG	Espresso/Cognac	-UZ		
(1)	991 555 994 57	Door panel trim (leather)	right rhd	1	PR:9VK,538, 625,099
	991 555 994 57 A11	Black	-AZ		
	991 555 994 57 OA1	agate grey	-FZ		
	991 555 994 57 OH7	Graphite Blue	-HZ		
	991 555 994 57 OK6	saddle brown	-SZ		
	991 555 994 57 7J0	Luxor beige	-UZ		
	991 555 994 57 OG6	Bordeaux red	-LZ		
	991 555 994 57 6J0	Espresso	-NE		
(1)	991 555 994 57	Door panel trim (leather)	right rhd	1	PR:9VK,538, 625,099
		two-colour			
	991 555 994 57 DTO	Black/Luxor Beige	-BT		
	991 555 994 57 GUG	Black/Bordeaux Red	-BM		
	991 555 994 57 GTG	Graphite Blue/Chalk	-BG		
	991 555 994 57 GRG	Espresso/Cognac	-BY		
(1)	991 555 993 58	Door panel trim (leather)	left lhd	1	PR:9VL,537, 625,098
	991 555 993 58 A11	Black	-AZ		
	991 555 993 58 OA1	agate grey	-FZ		
	991 555 993 58 OH7	Graphite Blue	-HZ		
	991 555 993 58 OK6	saddle brown	-SZ		
	991 555 993 58 7J0	Luxor beige	-UZ		
	991 555 993 58 OG6	Bordeaux red	-LZ		
	991 555 993 58 6J0	Espresso	-NE		
(1)	991 555 993 58	Door panel trim (leather)	left lhd	1	PR:9VL,537,

Model: 991-16 Model life 2017>>

Pos	Part Number	Description	Remark	Qty	Model
		two-colour			625,098
	991 555 993 58 DTO	Black/Luxor Beige	-BT		
	991 555 993 58 GUG	Black/Bordeaux Red	-BM		
	991 555 993 58 GTG	Graphite Blue/Chalk	-BG		
	991 555 993 58 GRG	Espresso/Cognac	-BY		
(1)	991 555 994 58	Door panel trim (leather)	right rhd	1	PR:9VL,538,625,099
	991 555 994 58 A11	Black	-AZ		
	991 555 994 58 OA1	agate grey	-FZ		
	991 555 994 58 OH7	Graphite Blue	-HZ		
	991 555 994 58 OK6	saddle brown	-SZ		
	991 555 994 58 7J0	Luxor beige	-UZ		
	991 555 994 58 OG6	Bordeaux red	-LZ		
	991 555 994 58 6J0	Espresso	-NE		
(1)	991 555 994 58	Door panel trim (leather)	right rhd	1	PR:9VL,538,625,099
		two-colour			
	991 555 994 58 DTO	Black/Luxor Beige	-BT		
	991 555 994 58 GUG	Black/Bordeaux Red	-BM		
	991 555 994 58 GTG	Graphite Blue/Chalk	-BG		
	991 555 994 58 GRG	Espresso/Cognac	-BY		
(1)	991 555 993 59	Door panel trim (leather)	left lhd	1	PR:9VJ,537,625,098
	991 555 993 59 A11	Black	-AZ		
	991 555 993 59 OA1	agate grey	-FZ		
	991 555 993 59 OH7	Graphite Blue	-HZ		
	991 555 993 59 OK6	saddle brown	-SZ		
	991 555 993 59 7J0	Luxor beige	-UZ		
	991 555 993 59 OG6	Bordeaux red	-LZ		
	991 555 993 59 6J0	Espresso	-NE		
(1)	991 555 993 59	Door panel trim (leather)	left lhd	1	PR:9VJ,537,625,098
		two-colour			
	991 555 993 59 DTO	Black/Luxor Beige	-BT		
	991 555 993 59 GUG	Black/Bordeaux Red	-BM		
	991 555 993 59 GTG	Graphite Blue/Chalk	-BG		
	991 555 993 59 GRG	Espresso/Cognac	-BY		
(1)	991 555 994 59	Door panel trim (leather)	right rhd	1	PR:9VJ,538,625,099
	991 555 994 59 A11	Black	-AZ		
	991 555 994 59 OA1	agate grey	-FZ		
	991 555 994 59 OH7	Graphite Blue	-HZ		
	991 555 994 59 OK6	saddle brown	-SZ		
	991 555 994 59 7J0	Luxor beige	-UZ		
	991 555 994 59 OG6	Bordeaux red	-LZ		
	991 555 994 59 6J0	Espresso	-NE		
(1)	991 555 994 59	Door panel trim (leather)	right rhd	1	PR:9VJ,538,625,099
		two-colour			
	991 555 994 59 DTO	Black/Luxor Beige	-BT		
	991 555 994 59 GUG	Black/Bordeaux Red	-BM		
	991 555 994 59 GTG	Graphite Blue/Chalk	-BG		
	991 555 994 59 GRG	Espresso/Cognac	-BY		
2	999 507 533 02	Clamp		4	
		8,0 X 10,0 /2,5			
3	991 555 521 02	Inner actuator	left	1	
(3)	991 555 521 02 V08	Galvano silver			
	991 555 522 02	Inner actuator	right	1	
	991 555 522 02 V08	Galvano silver			
4	991 555 533 00	Pull handle	left	1	
		Leather			
	991 555 533 00 A11	Black	-AZ		

Model: 991-16 Model life 2017>>

Pos	Part Number	Description	Remark	Qty	Model
	991 555 533 00 OA1	agate grey	-FZ		
	991 555 533 00 OH7	Graphite Blue	-HZ		
	991 555 533 00 OK6	saddle brown	-SZ		
	991 555 533 00 7J0	Luxor beige	-UZ,BT		
	991 555 533 00 OG6	Bordeaux red	-LZ,BM		
	991 555 533 00 OL8	Chalk	-BG		
		KREIDE			
	991 555 533 00 6J0	Espresso	-NE		
	991 555 533 00 7F0	Cognac	-BY		
(4)	991 555 534 00	Pull handle (leather)	right	1	
	991 555 534 00 A11	Black	-AZ		
	991 555 534 00 OA1	agate grey	-FZ		
	991 555 534 00 OH7	Graphite Blue	-HZ		
	991 555 534 00 OK6	saddle brown	-SZ		
	991 555 534 00 7J0	Luxor beige	-UZ,BT		
	991 555 534 00 OG6	Bordeaux red	-LZ,BM		
	991 555 534 00 OL8	Chalk	-BG		
		KREIDE			
	991 555 534 00 6J0	Espresso	-NE		
	991 555 534 00 7F0	Cognac	-BY		
5	999 919 262 01	fillister hd. bolt 4,0 X 16,0		9	
6	1K0 947 419 A	rear light reflector		2	
7	7PP 945 699	inscription		2	
		Bose			
8	991 555 723 02	Mounting frame		1	
		Switch			
	991 555 723 02 1E0	Black			
9	991 555 721 02	Cover	left	1	
			front		
	991 555 721 02 5Q0	Black	-AZ,BT,BM		
	991 555 721 02 OA6	agate grey	-FZ		
	991 555 721 02 OH7	Graphite Blue	-HZ,BG		
	991 555 721 02 OL7	saddle brown	-SZ		
	991 555 721 02 6W0	Luxor beige	-UZ		
	991 555 721 02 OG6	Bordeaux red	-LZ		
	991 555 721 02 3T0	Espresso	-NE,BY		
(9)	991 555 722 02	Cover	right	1	
			front		
	991 555 722 02 5Q0	Black	-AZ,BT,BM		
	991 555 722 02 OA6	agate grey	-FZ		
	991 555 722 02 OH7	Graphite Blue	-HZ,BG		
	991 555 722 02 OL7	saddle brown	-SZ		
	991 555 722 02 6W0	Luxor beige	-UZ		
	991 555 722 02 OG6	Bordeaux red	-LZ		
	991 555 722 02 3T0	Espresso	-NE,BY		
10	7PP 837 247	Cover panel	left	1	
		Inner actuator			
	7PP 837 247 1E0	Black			
(10)	7PP 837 248	Cover panel	right	1	
		Inner actuator			
	7PP 837 248 1E0	Black			
11	991 555 683 01	cover for airbag	left	1	
	991 555 683 01 5Q0	Black	-AZ,BT,BM		
	991 555 683 01 OA6	agate grey	-FZ		
	991 555 683 01 OH7	Graphite Blue	-HZ,BG		
	991 555 683 01 OL7	saddle brown	-SZ		
	991 555 683 01 6W0	Luxor beige	-UZ		
	991 555 683 01 OG6	Bordeaux red	-LZ		
	991 555 683 01 3T0	Espresso	-NE,BY		
(11)	991 555 684 01	cover for airbag	right	1	
	991 555 684 01 5Q0	Black	-AZ,BT,BM		
	991 555 684 01 OA6	agate grey	-FZ		

Model: 991-16

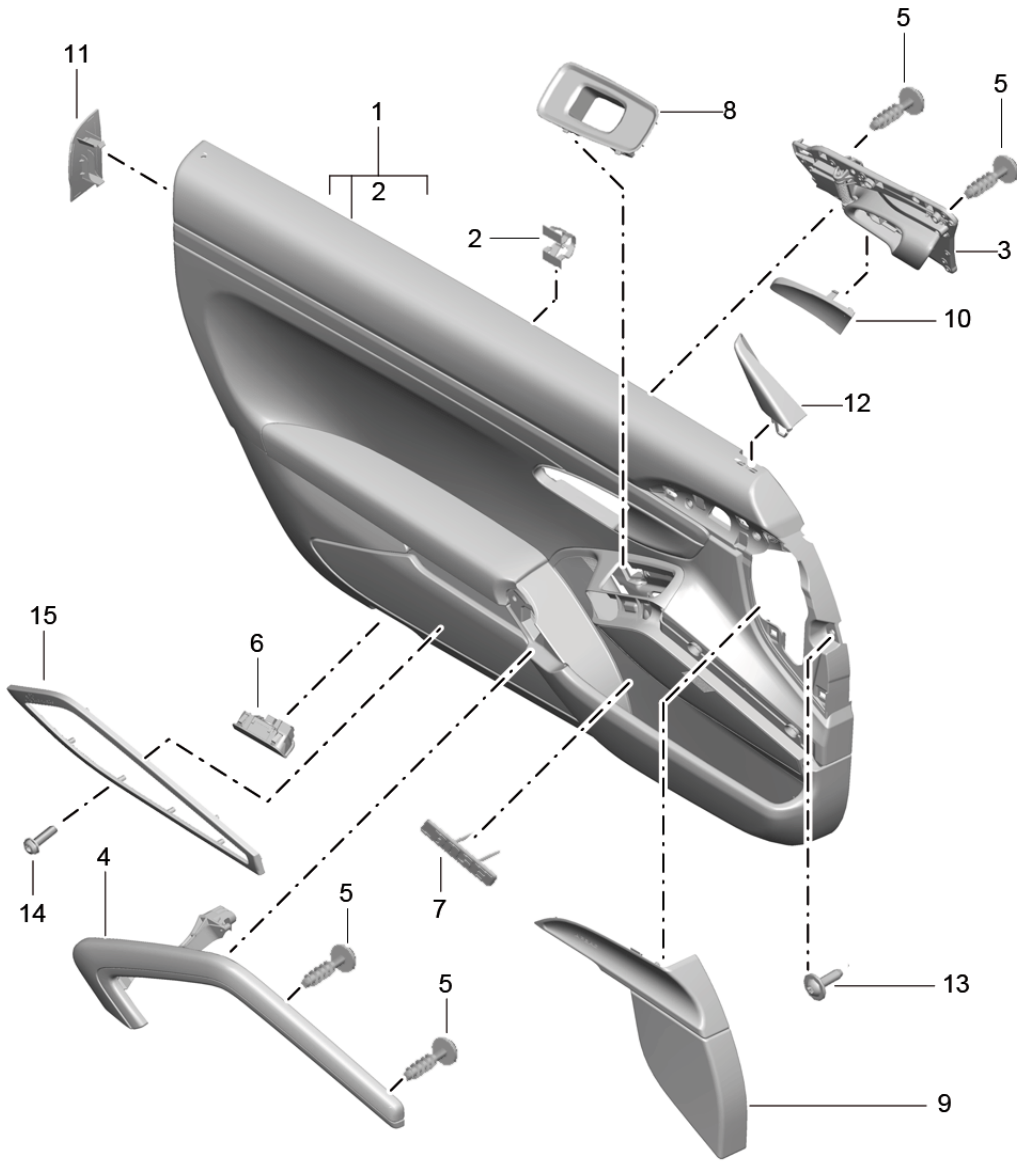
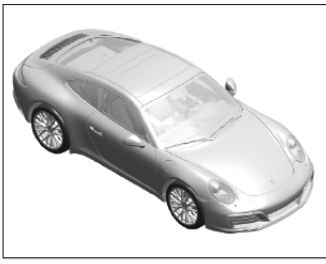
Model life 2017>>

Pos	Part Number	Description	Remark	Qty	Model
	991 555 684 01 OH7	Graphite Blue	-HZ,BG		
	991 555 684 01 OL7	saddle brown	-SZ		
	991 555 684 01 6W0	Luxor beige	-UZ		
	991 555 684 01 OG6	Bordeaux red	-LZ		
	991 555 684 01 3T0	Espresso	-NE,BY		
12	991 555 741 00	Cover panel window frame	left	1	
	991 555 741 00 1E0	Black			
(12)	991 555 742 00	Cover panel window frame	right	1	
	991 555 742 00 1E0	Black			
13	999 073 322 02	fillister hd. bolt M 6 X 20		8	
14	999 919 203 07	fillister hd. bolt M 3 X 10		10	
15	991 555 581 00	decorative frame Loudspeaker trim	left	1	PR:9VJ
	991 555 581 00 V08	Galvano silver			
(15)	991 555 582 00	decorative frame Loudspeaker trim	right	1	PR:9VJ
	991 555 582 00 V08	Galvano silver			



Model: 991-16

Model life 2017>>



Model: 991-16

Model life 2017>>

Pos	Part Number	Description	Remark	Qty	Model
-		door panel Accessories Leather Trim Lacquered in your order Vehicle Ident. No. and Please state the colour			PR:981,XWE
(1)	991 555 993 00	Door panel trim (leather)	left	1	PR:9VK
	991 555 993 00 A11	Black	-AZ		
	991 555 993 00 OA1	Black/agate grey	-FZ		
	991 555 993 00 OH7	Graphite Blue	-HZ		
	991 555 993 00 OK6	saddle brown	-SZ		
	991 555 993 00 7J0	Luxor beige	-UZ		
	991 555 993 00 OG6	Bordeaux red	-LZ		
	991 555 993 00 6J0	Black/espresso	-NE		
(1)	991 555 993 00	Door panel trim (leather) two-colour	left	1	PR:9VK
	991 555 993 00 DTO	Black/Luxor Beige	-BT		
	991 555 993 00 GUG	Black/Bordeaux Red	-BM		
	991 555 993 00 GTG	Graphite Blue/Chalk	-BG		
	991 555 993 00 GRG	Black/espresso/cognac	-BY		
(1)	991 555 994 00	Door panel trim (leather)	right	1	PR:9VK
	991 555 994 00 A11	Black	-AZ		
	991 555 994 00 OA1	Black/agate grey	-FZ		
	991 555 994 00 OH7	Graphite Blue	-HZ		
	991 555 994 00 OK6	saddle brown	-SZ		
	991 555 994 00 7J0	Luxor beige	-UZ		
	991 555 994 00 OG6	Bordeaux red	-LZ		
	991 555 994 00 6J0	Black/espresso	-NE		
(1)	991 555 994 00	Door panel trim (leather) two-colour	right	1	PR:9VK
	991 555 994 00 DTO	Black/Luxor Beige	-BT		
	991 555 994 00 GUG	Black/Bordeaux Red	-BM		
	991 555 994 00 GTG	Graphite Blue/Chalk	-BG		
	991 555 994 00 GRG	Black/espresso/cognac	-BY		
(1)	991 555 993 01	Door panel trim (leather)	left	1	PR:9VL
	991 555 993 01 A11	Black	-AZ		
	991 555 993 01 OA1	agate grey	-FZ		
	991 555 993 01 OH7	Graphite Blue	-HZ		
	991 555 993 01 OK6	saddle brown	-SZ		
	991 555 993 01 7J0	Luxor beige	-UZ		
	991 555 993 01 OG6	Bordeaux red	-LZ		
	991 555 993 01 6J0	Espresso	-NE		
(1)	991 555 993 01	Door panel trim (leather) two-colour	left	1	PR:9VL
	991 555 993 01 DTO	Black/Luxor Beige	-BT		
	991 555 993 01 GUG	Black/Bordeaux Red	-BM		
	991 555 993 01 GTG	Graphite Blue/Chalk	-BG		
	991 555 993 01 GRG	Espresso/Cognac	-BY		
(1)	991 555 994 01	Door panel trim (leather)	right	1	PR:9VL
	991 555 994 01 A11	Black	-AZ		
	991 555 994 01 OA1	agate grey	-FZ		
	991 555 994 01 OH7	Graphite Blue	-HZ		
	991 555 994 01 OK6	saddle brown	-SZ		
	991 555 994 01 7J0	Luxor beige	-UZ		
	991 555 994 01 OG6	Bordeaux red	-LZ		
	991 555 994 01 6J0	Espresso	-NE		
(1)	991 555 994 01	Door panel trim (leather) two-colour	right	1	PR:9VL
	991 555 994 01 DTO	Black/Luxor Beige	-BT		
	991 555 994 01 GUG	Black/Bordeaux Red	-BM		

Model: 991-16 Model life 2017>>

Pos	Part Number	Description	Remark	Qty	Model
	991 555 994 01 GTG	Graphite Blue/Chalk	-BG		
	991 555 994 01 GRG	Espresso/Cognac	-BY		
(1)	991 555 993 02	Door panel trim (leather)	left	1	PR:9VJ
	991 555 993 02 A11	Black	-AZ		
	991 555 993 02 OA1	agate grey	-FZ		
	991 555 993 02 OH7	Graphite Blue	-HZ		
	991 555 993 02 OK6	saddle brown	-SZ		
	991 555 993 02 7J0	Luxor beige	-UZ		
	991 555 993 02 OG6	Bordeaux red	-LZ		
	991 555 993 02 6J0	Espresso	-NE		
(1)	991 555 993 02	Door panel trim (leather)	left	1	PR:9VJ
		two-colour			
	991 555 993 02 DTO	Black/Luxor Beige	-BT		
	991 555 993 02 GUG	Black/Bordeaux Red	-BM		
	991 555 993 02 GTG	Graphite Blue/Chalk	-BG		
	991 555 993 02 GRG	Espresso/Cognac	-BY		
(1)	991 555 994 02	Door panel trim (leather)	right	1	PR:9VJ
	991 555 994 02 A11	Black	-AZ		
	991 555 994 02 OA1	agate grey	-FZ		
	991 555 994 02 OH7	Graphite Blue	-HZ		
	991 555 994 02 OK6	saddle brown	-SZ		
	991 555 994 02 7J0	Luxor beige	-UZ		
	991 555 994 02 OG6	Bordeaux red	-LZ		
	991 555 994 02 6J0	Espresso	-NE		
(1)	991 555 994 02	Door panel trim (leather)	right	1	PR:9VJ
		two-colour			
	991 555 994 02 DTO	Black/Luxor Beige	-BT		
	991 555 994 02 GUG	Black/Bordeaux Red	-BM		
	991 555 994 02 GTG	Graphite Blue/Chalk	-BG		
	991 555 994 02 GRG	Espresso/Cognac	-BY		
(1)	991 555 993 03	Door panel trim (leather)	left lhd	1	PR:9VK,537, 098
	991 555 993 03 A11	Black	-AZ		
	991 555 993 03 OA1	agate grey	-FZ		
	991 555 993 03 OH7	Graphite Blue	-HZ		
	991 555 993 03 OK6	saddle brown	-SZ		
	991 555 993 03 7J0	Luxor beige	-UZ		
	991 555 993 03 OG6	Bordeaux red	-LZ		
	991 555 993 03 6J0	Espresso	-NE		
(1)	991 555 993 03	Door panel trim (leather)	left lhd	1	PR:9VK,537, 098
		two-colour			
	991 555 993 03 DTO	Black/Luxor Beige	-BT		
	991 555 993 03 GUG	Black/Bordeaux Red	-BM		
	991 555 993 03 GTG	Graphite Blue/Chalk	-BG		
	991 555 993 03 GRG	Espresso/Cognac	-BY		
(1)	991 555 994 03	Door panel trim (leather)	right rhd	1	PR:9VK,538, 099
	991 555 994 03 A11	Black	-AZ		
	991 555 994 03 OA1	agate grey	-FZ		
	991 555 994 03 OH7	Graphite Blue	-HZ		
	991 555 994 03 OK6	saddle brown	-SZ		
	991 555 994 03 7J0	Luxor beige	-UZ		
	991 555 994 03 OG6	Bordeaux red	-LZ		
	991 555 994 03 6J0	Espresso	-NE		
(1)	991 555 994 03	Door panel trim (leather)	right rhd	1	PR:9VK,538, 099
		two-colour			
	991 555 994 03 DTO	Black/Luxor Beige	-BT		
	991 555 994 03 GUG	Black/Bordeaux Red	-BM		
	991 555 994 03 GTG	Graphite Blue/Chalk	-BG		
	991 555 994 03 GRG	Espresso/Cognac	-BY		
(1)	991 555 993 04	Door panel trim (leather)	left lhd	1	PR:9VL,537,

Model: 991-16 Model life 2017>>

Pos	Part Number	Description	Remark	Qty	Model
	991 555 993 04 A11	Black	-AZ		098
	991 555 993 04 OA1	agate grey	-FZ		
	991 555 993 04 OH7	Graphite Blue	-HZ		
	991 555 993 04 OK6	saddle brown	-SZ		
	991 555 993 04 7J0	Luxor beige	-UZ		
	991 555 993 04 OG6	Bordeaux red	-LZ		
	991 555 993 04 6J0	Espresso	-NE		
(1)	991 555 993 04	Door panel trim (leather)	left lhd	1	PR:9VL,537,098
		two-colour			
	991 555 993 04 DTO	Black/Luxor Beige	-BT		
	991 555 993 04 GUG	Black/Bordeaux Red	-BM		
	991 555 993 04 GTG	Graphite Blue/Chalk	-BG		
	991 555 993 04 GRG	Espresso/Cognac	-BY		
(1)	991 555 994 04	Door panel trim (leather)	right rhd	1	PR:9VL,538,099
		two-colour			
	991 555 994 04 A11	Black	-AZ		
	991 555 994 04 OA1	agate grey	-FZ		
	991 555 994 04 OH7	Graphite Blue	-HZ		
	991 555 994 04 OK6	saddle brown	-SZ		
	991 555 994 04 7J0	Luxor beige	-UZ		
	991 555 994 04 OG6	Bordeaux red	-LZ		
	991 555 994 04 6J0	Espresso	-NE		
(1)	991 555 994 04	Door panel trim (leather)	right rhd	1	PR:9VL,538,099
		two-colour			
	991 555 994 04 DTO	Black/Luxor Beige	-BT		
	991 555 994 04 GUG	Black/Bordeaux Red	-BM		
	991 555 994 04 GTG	Graphite Blue/Chalk	-BG		
	991 555 994 04 GRG	Espresso/Cognac	-BY		
(1)	991 555 993 05	Door panel trim (leather)	left lhd	1	PR:9VJ,537,098
		two-colour			
	991 555 993 05 A11	Black	-AZ		
	991 555 993 05 OA1	agate grey	-FZ		
	991 555 993 05 OH7	Graphite Blue	-HZ		
	991 555 993 05 OK6	saddle brown	-SZ		
	991 555 993 05 7J0	Luxor beige	-UZ		
	991 555 993 05 OG6	Bordeaux red	-LZ		
	991 555 993 05 6J0	Espresso	-NE		
(1)	991 555 993 05	Door panel trim (leather)	left lhd	1	PR:9VJ,537,098
		two-colour			
	991 555 993 05 DTO	Black/Luxor Beige	-BT		
	991 555 993 05 GUG	Black/Bordeaux Red	-BM		
	991 555 993 05 GTG	Graphite Blue/Chalk	-BG		
	991 555 993 05 GRG	Espresso/Cognac	-BY		
(1)	991 555 994 05	Door panel trim (leather)	right rhd	1	PR:9VJ,538,099
		two-colour			
	991 555 994 05 A11	Black	-AZ		
	991 555 994 05 OA1	agate grey	-FZ		
	991 555 994 05 OH7	Graphite Blue	-HZ		
	991 555 994 05 OK6	saddle brown	-SZ		
	991 555 994 05 7J0	Luxor beige	-UZ		
	991 555 994 05 OG6	Bordeaux red	-LZ		
	991 555 994 05 6J0	Espresso	-NE		
(1)	991 555 994 05	Door panel trim (leather)	right rhd	1	PR:9VJ,538,099
		two-colour			
	991 555 994 05 DTO	Black/Luxor Beige	-BT		
	991 555 994 05 GUG	Black/Bordeaux Red	-BM		
	991 555 994 05 GTG	Graphite Blue/Chalk	-BG		
	991 555 994 05 GRG	Espresso/Cognac	-BY		

Model: 991-16 Model life 2017>>

Pos	Part Number	Description	Remark	Qty	Model
(1)	991 555 993 30	Door panel trim (leather)	left	1	PR:9VK,625
	991 555 993 30 A11	Black	-AZ		
	991 555 993 30 OA1	agate grey	-FZ		
	991 555 993 30 OH7	Graphite Blue	-HZ		
	991 555 993 30 OK6	saddle brown	-SZ		
	991 555 993 30 7J0	Luxor beige	-UZ		
	991 555 993 30 OG6	Bordeaux red	-LZ		
	991 555 993 30 6J0	Espresso	-NE		
(1)	991 555 993 30	Door panel trim (leather)	left	1	PR:9VK,625
		two-colour			
	991 555 993 30 DTO	Black/Luxor Beige	-BT		
	991 555 993 30 GUG	Black/Bordeaux Red	-BM		
	991 555 993 30 GTG	Graphite Blue/Chalk	-BG		
	991 555 993 30 GRG	Espresso/Cognac	-BY		
(1)	991 555 994 30	Door panel trim (leather)	right	1	PR:9VK,625
	991 555 994 30 A11	Black	-AZ		
	991 555 994 30 OA1	agate grey	-FZ		
	991 555 994 30 OH7	Graphite Blue	-HZ		
	991 555 994 30 OK6	saddle brown	-SZ		
	991 555 994 30 7J0	Luxor beige	-UZ		
	991 555 994 30 OG6	Bordeaux red	-LZ		
	991 555 994 30 6J0	Espresso	-NE		
(1)	991 555 994 30	Door panel trim (leather)	right	1	PR:9VK,625
		two-colour			
	991 555 994 30 DTO	Black/Luxor Beige	-BT		
	991 555 994 30 GUG	Black/Bordeaux Red	-BM		
	991 555 994 30 GTG	Graphite Blue/Chalk	-BG		
	991 555 994 30 GRG	Espresso/Cognac	-BY		
(1)	991 555 993 31	Door panel trim (leather)	left	1	PR:9VL,625
	991 555 993 31 A11	Black	-AZ		
	991 555 993 31 OA1	agate grey	-FZ		
	991 555 993 31 OH7	Graphite Blue	-HZ		
	991 555 993 31 OK6	saddle brown	-SZ		
	991 555 993 31 7J0	Luxor beige	-UZ		
	991 555 993 31 OG6	Bordeaux red	-LZ		
	991 555 993 31 6J0	Espresso	-NE		
(1)	991 555 993 31	Door panel trim (leather)	left	1	PR:9VL,625
		two-colour			
	991 555 993 31 DTO	Black/Luxor Beige	-BT		
	991 555 993 31 GUG	Black/Bordeaux Red	-BM		
	991 555 993 31 GTG	Graphite Blue/Chalk	-BG		
	991 555 993 31 GRG	Espresso/Cognac	-BY		
(1)	991 555 994 31	Door panel trim (leather)	right	1	PR:9VL,625
	991 555 994 31 A11	Black	-AZ		
	991 555 994 31 OA1	agate grey	-FZ		
	991 555 994 31 OH7	Graphite Blue	-HZ		
	991 555 994 31 OK6	saddle brown	-SZ		
	991 555 994 31 7J0	Luxor beige	-UZ		
	991 555 994 31 OG6	Bordeaux red	-LZ		
	991 555 994 31 6J0	Espresso	-NE		
(1)	991 555 994 31	Door panel trim (leather)	right	1	PR:9VL,625
		two-colour			
	991 555 994 31 DTO	Black/Luxor Beige	-BT		
	991 555 994 31 GUG	Black/Bordeaux Red	-BM		
	991 555 994 31 GTG	Graphite Blue/Chalk	-BG		
	991 555 994 31 GRG	Espresso/Cognac	-BY		
(1)	991 555 993 32	Door panel trim (leather)	left	1	PR:9VJ,625
	991 555 993 32 A11	Black	-AZ		
	991 555 993 32 OA1	agate grey	-FZ		
	991 555 993 32 OH7	Graphite Blue	-HZ		
	991 555 993 32 OK6	saddle brown	-SZ		
	991 555 993 32 7J0	Luxor beige	-UZ		
	991 555 993 32 OG6	Bordeaux red	-LZ		

Model: 991-16 Model life 2017>>

Pos	Part Number	Description	Remark	Qty	Model
(1)	991 555 993 32 6J0	Espresso	-NE		
	991 555 993 32	Door panel trim (leather)	left	1	PR:9VJ,625
		two-colour			
	991 555 993 32 DTO	Black/Luxor Beige	-BT		
	991 555 993 32 GUG	Black/Bordeaux Red	-BM		
	991 555 993 32 GTG	Graphite Blue/Chalk	-BG		
	991 555 993 32 GRG	Espresso/Cognac	-BY		
(1)	991 555 994 32	Door panel trim (leather)	right	1	PR:9VJ,625
	991 555 994 32 A11	Black	-AZ		
	991 555 994 32 OA1	agate grey	-FZ		
	991 555 994 32 OH7	Graphite Blue	-HZ		
	991 555 994 32 OK6	saddle brown	-SZ		
	991 555 994 32 7J0	Luxor beige	-UZ		
	991 555 994 32 OG6	Bordeaux red	-LZ		
	991 555 994 32 6J0	Espresso	-NE		
(1)	991 555 994 32	Door panel trim (leather)	right	1	PR:9VJ,625
		two-colour			
	991 555 994 32 DTO	Black/Luxor Beige	-BT		
	991 555 994 32 GUG	Black/Bordeaux Red	-BM		
	991 555 994 32 GTG	Graphite Blue/Chalk	-BG		
	991 555 994 32 GRG	Espresso/Cognac	-BY		
(1)	991 555 993 33	Door panel trim (leather)	left lhd	1	PR:9VK,537, 625,098
	991 555 993 33 A11	Black	-AZ		
	991 555 993 33 OA1	agate grey	-FZ		
	991 555 993 33 OH7	Graphite Blue	-HZ		
	991 555 993 33 OK6	saddle brown	-SZ		
	991 555 993 33 7J0	Luxor beige	-UZ		
	991 555 993 33 OG6	Bordeaux red	-LZ		
	991 555 993 33 6J0	Espresso	-NE		
(1)	991 555 993 33	Door panel trim (leather)	left lhd	1	PR:9VK,537, 625,098
		two-colour			
	991 555 993 33 DTO	Black/Luxor Beige	-BT		
	991 555 993 33 GUG	Black/Bordeaux Red	-BM		
	991 555 993 33 GTG	Graphite Blue/Chalk	-SZ		
	991 555 993 33 GRG	Espresso/Cognac	-UZ		
(1)	991 555 994 33	Door panel trim (leather)	right rhd	1	PR:9VK,538, 625,099
	991 555 994 33 A11	Black	-AZ		
	991 555 994 33 OA1	agate grey	-FZ		
	991 555 994 33 OH7	Graphite Blue	-HZ		
	991 555 994 33 OK6	saddle brown	-SZ		
	991 555 994 33 7J0	Luxor beige	-UZ		
	991 555 994 33 OG6	Bordeaux red	-LZ		
	991 555 994 33 6J0	Espresso	-NE		
(1)	991 555 994 33	Door panel trim (leather)	right rhd	1	PR:9VK,538, 625,099
		two-colour			
	991 555 994 33 DTO	Black/Luxor Beige	-BT		
	991 555 994 33 GUG	Black/Bordeaux Red	-BM		
	991 555 994 33 GTG	Graphite Blue/Chalk	-BG		
	991 555 994 33 GRG	Espresso/Cognac	-BY		
(1)	991 555 993 34	Door panel trim (leather)	left lhd	1	PR:9VL,537, 625,098
	991 555 993 34 A11	Black	-AZ		
	991 555 993 34 OA1	agate grey	-FZ		
	991 555 993 34 OH7	Graphite Blue	-HZ		
	991 555 993 34 OK6	saddle brown	-SZ		
	991 555 993 34 7J0	Luxor beige	-UZ		
	991 555 993 34 OG6	Bordeaux red	-LZ		
	991 555 993 34 6J0	Espresso	-NE		
(1)	991 555 993 34	Door panel trim (leather)	left lhd	1	PR:9VL,537,

Model: 991-16 Model life 2017>>

Pos	Part Number	Description	Remark	Qty	Model
		two-colour			625,098
	991 555 993 34 DTO	Black/Luxor Beige	-BT		
	991 555 993 34 GUG	Black/Bordeaux Red	-BM		
	991 555 993 34 GTG	Graphite Blue/Chalk	-BG		
	991 555 993 34 GRG	Espresso/Cognac	-BY		
(1)	991 555 994 34	Door panel trim (leather)	right rhd	1	PR:9VL,538,625,099
	991 555 994 34 A11	Black	-AZ		
	991 555 994 34 OA1	agate grey	-FZ		
	991 555 994 34 OH7	Graphite Blue	-HZ		
	991 555 994 34 OK6	saddle brown	-SZ		
	991 555 994 34 7J0	Luxor beige	-UZ		
	991 555 994 34 OG6	Bordeaux red	-LZ		
	991 555 994 34 6J0	Espresso	-NE		
(1)	991 555 994 34	Door panel trim (leather)	right rhd	1	PR:9VL,538,625,099
		two-colour			
	991 555 994 34 DTO	Black/Luxor Beige	-BT		
	991 555 994 34 GUG	Black/Bordeaux Red	-BM		
	991 555 994 34 GTG	Graphite Blue/Chalk	-BG		
	991 555 994 34 GRG	Espresso/Cognac	-BY		
(1)	991 555 993 35	Door panel trim (leather)	left lhd	1	PR:9VJ,537,625,098
	991 555 993 35 A11	Black	-AZ		
	991 555 993 35 OA1	agate grey	-FZ		
	991 555 993 35 OH7	Graphite Blue	-HZ		
	991 555 993 35 OK6	saddle brown	-SZ		
	991 555 993 35 7J0	Luxor beige	-UZ		
	991 555 993 35 OG6	Bordeaux red	-LZ		
	991 555 993 35 6J0	Espresso	-NE		
(1)	991 555 993 35	Door panel trim (leather)	left lhd	1	PR:9VJ,537,625,098
		two-colour			
	991 555 993 35 DTO	Black/Luxor Beige	-BT		
	991 555 993 35 GUG	Black/Bordeaux Red	-BM		
	991 555 993 35 GTG	Graphite Blue/Chalk	-BG		
	991 555 993 35 GRG	Espresso/Cognac	-BY		
(1)	991 555 994 35	Door panel trim (leather)	right rhd	1	PR:9VJ,538,625,099
	991 555 994 35 A11	Black	-AZ		
	991 555 994 35 OA1	agate grey	-FZ		
	991 555 994 35 OH7	Graphite Blue	-HZ		
	991 555 994 35 OK6	saddle brown	-SZ		
	991 555 994 35 7J0	Luxor beige	-UZ		
	991 555 994 35 OG6	Bordeaux red	-LZ		
	991 555 994 35 6J0	Espresso	-NE		
(1)	991 555 994 35	Door panel trim (leather)	right rhd	1	PR:9VJ,538,625,099
		two-colour			
	991 555 994 35 DTO	Black/Luxor Beige	-BT		
	991 555 994 35 GUG	Black/Bordeaux Red	-BM		
	991 555 994 35 GTG	Graphite Blue/Chalk	-BG		
	991 555 994 35 GRG	Espresso/Cognac	-BY		
2	999 507 533 02	Clamp		4	
		8,0 X 10,0 /2,5			
3	991 555 521 02	Inner actuator	left	1	
(3)	991 555 521 02 V08	Galvano silver			
	991 555 522 02	Inner actuator	right	1	
	991 555 522 02 V08	Galvano silver			
4	991 555 533 00	Pull handle	left	1	
		Leather			
	991 555 533 00 A11	Black	-AZ		

Model: 991-16 Model life 2017>>

Pos	Part Number	Description	Remark	Qty	Model
	991 555 533 00 OA1	agate grey	-FZ		
	991 555 533 00 OH7	Graphite Blue	-HZ		
	991 555 533 00 OK6	saddle brown	-SZ		
	991 555 533 00 7J0	Luxor beige	-UZ, BT		
	991 555 533 00 OG6	Bordeaux red	-LZ, BM		
	991 555 533 00 OL8	Chalk	-BG		
		KREIDE			
	991 555 533 00 6J0	Espresso	-NE		
	991 555 533 00 7F0	Cognac	-BY		
(4)	991 555 534 00	Pull handle (leather)	right	1	
	991 555 534 00 A11	Black	-AZ		
	991 555 534 00 OA1	agate grey	-FZ		
	991 555 534 00 OH7	Graphite Blue	-HZ		
	991 555 534 00 OK6	saddle brown	-SZ		
	991 555 534 00 7J0	Luxor beige	-UZ, BT		
	991 555 534 00 OG6	Bordeaux red	-LZ, BM		
	991 555 534 00 OL8	Chalk	-BG		
		KREIDE			
	991 555 534 00 6J0	Espresso	-NE		
	991 555 534 00 7F0	Cognac	-BY		
5	999 919 262 01	fillister hd. bolt 4,0 X 16,0		9	
6	1K0 947 419 A	rear light reflector		2	
7	7PP 945 699	inscription		2	
		Bose			
8	991 555 723 02	Mounting frame		1	
		Switch			
	991 555 723 02 1E0	Black			
9	991 555 721 02	Cover	left front	1	
	991 555 721 02 5Q0	Black	-AZ, BT, BM		
	991 555 721 02 OA6	agate grey	-FZ		
	991 555 721 02 OH7	Graphite Blue	-HZ, BG		
	991 555 721 02 OL7	saddle brown	-SZ		
	991 555 721 02 6W0	Luxor beige	-UZ		
	991 555 721 02 OG6	Bordeaux red	-LZ		
	991 555 721 02 3T0	Espresso	-NE, BY		
(9)	991 555 722 02	Cover	right front	1	
	991 555 722 02 5Q0	Black	-AZ, BT, BM		
	991 555 722 02 OA6	agate grey	-FZ		
	991 555 722 02 OH7	Graphite Blue	-HZ, BG		
	991 555 722 02 OL7	saddle brown	-SZ		
	991 555 722 02 6W0	Luxor beige	-UZ		
	991 555 722 02 OG6	Bordeaux red	-LZ		
	991 555 722 02 3T0	Espresso	-NE, BY		
10	7PP 837 247	Cover panel	left	1	
		Inner actuator			
	7PP 837 247 1E0	Black			
(10)	7PP 837 248	Cover panel	right	1	
		Inner actuator			
	7PP 837 248 1E0	Black			
11	991 555 683 01	cover for airbag	left	1	
	991 555 683 01 5Q0	Black	-AZ, BT, BM		
	991 555 683 01 OA6	agate grey	-FZ		
	991 555 683 01 OH7	Graphite Blue	-HZ, BG		
	991 555 683 01 OL7	saddle brown	-SZ		
	991 555 683 01 6W0	Luxor beige	-UZ		
	991 555 683 01 OG6	Bordeaux red	-LZ		
	991 555 683 01 3T0	Espresso	-NE, BY		
(11)	991 555 684 01	cover for airbag	right	1	
	991 555 684 01 5Q0	Black	-AZ, BT, BM		
	991 555 684 01 OA6	agate grey	-FZ		



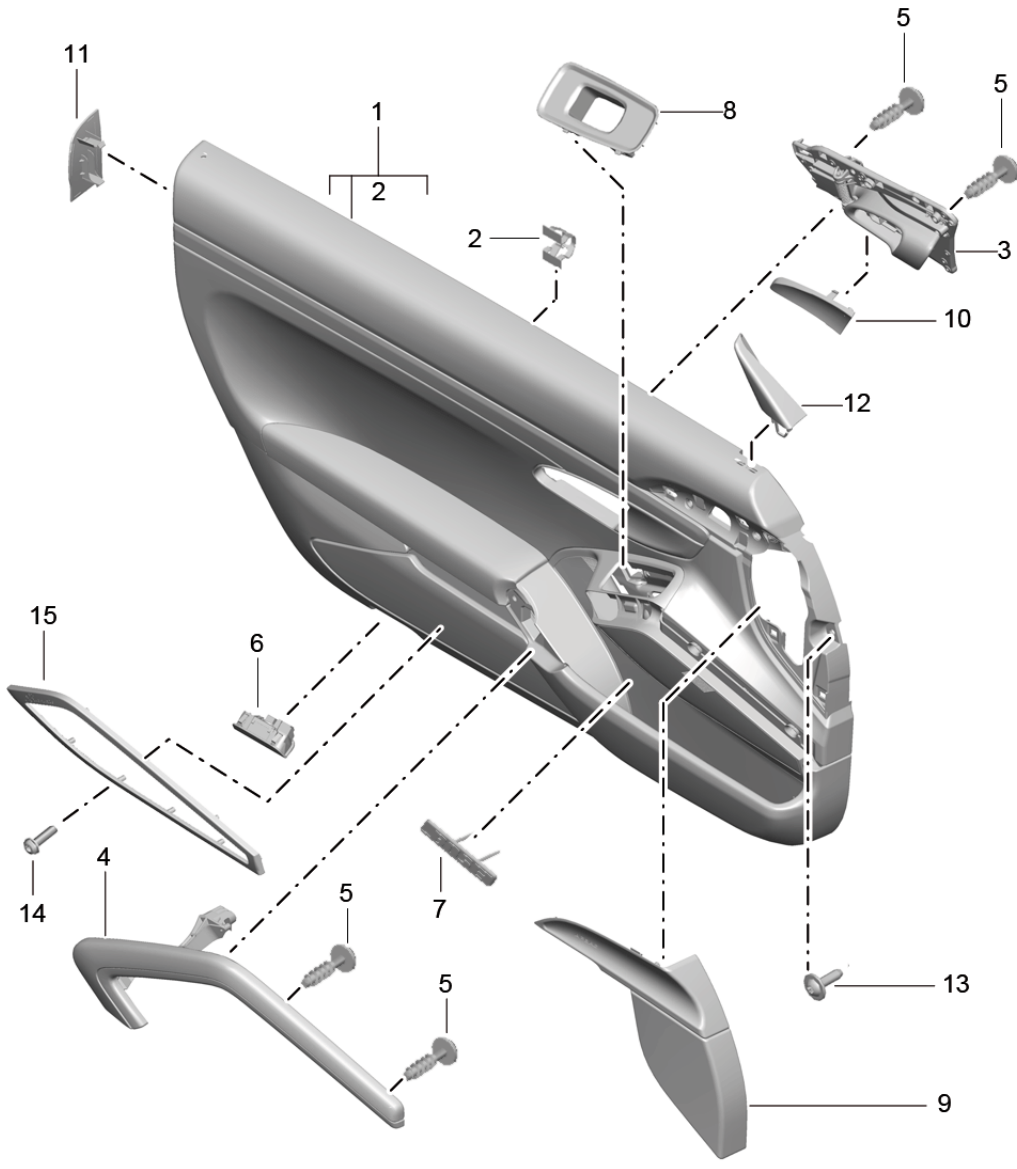
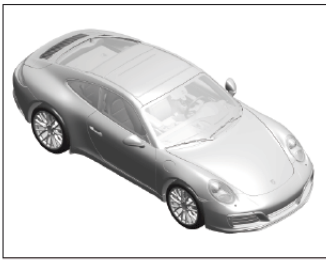
Model: 991-16

Model life 2017>>

Pos	Part Number	Description	Remark	Qty	Model
	991 555 684 01 OH7	Graphite Blue	-HZ,BG		
	991 555 684 01 OL7	saddle brown	-SZ		
	991 555 684 01 6W0	Luxor beige	-UZ		
	991 555 684 01 OG6	Bordeaux red	-LZ		
	991 555 684 01 3T0	Espresso	-NE,BY		
12	991 555 741 00	Cover panel window frame	left	1	
	991 555 741 00 1E0	Black			
(12)	991 555 742 00	Cover panel window frame	right	1	
	991 555 742 00 1E0	Black			
13	999 073 322 02	fillister hd. bolt M 6 X 20		8	
14	999 919 203 07	fillister hd. bolt M 3 X 10		10	
15	991 555 581 00	decorative frame Loudspeaker trim	left	1	PR:9VJ
	991 555 581 00 V08	Galvano silver			
(15)	991 555 582 00	decorative frame Loudspeaker trim	right	1	PR:9VJ
	991 555 582 00 V08	Galvano silver			

Model: 991-16

Model life 2017>>



Model: 991-16 Model life 2017>>

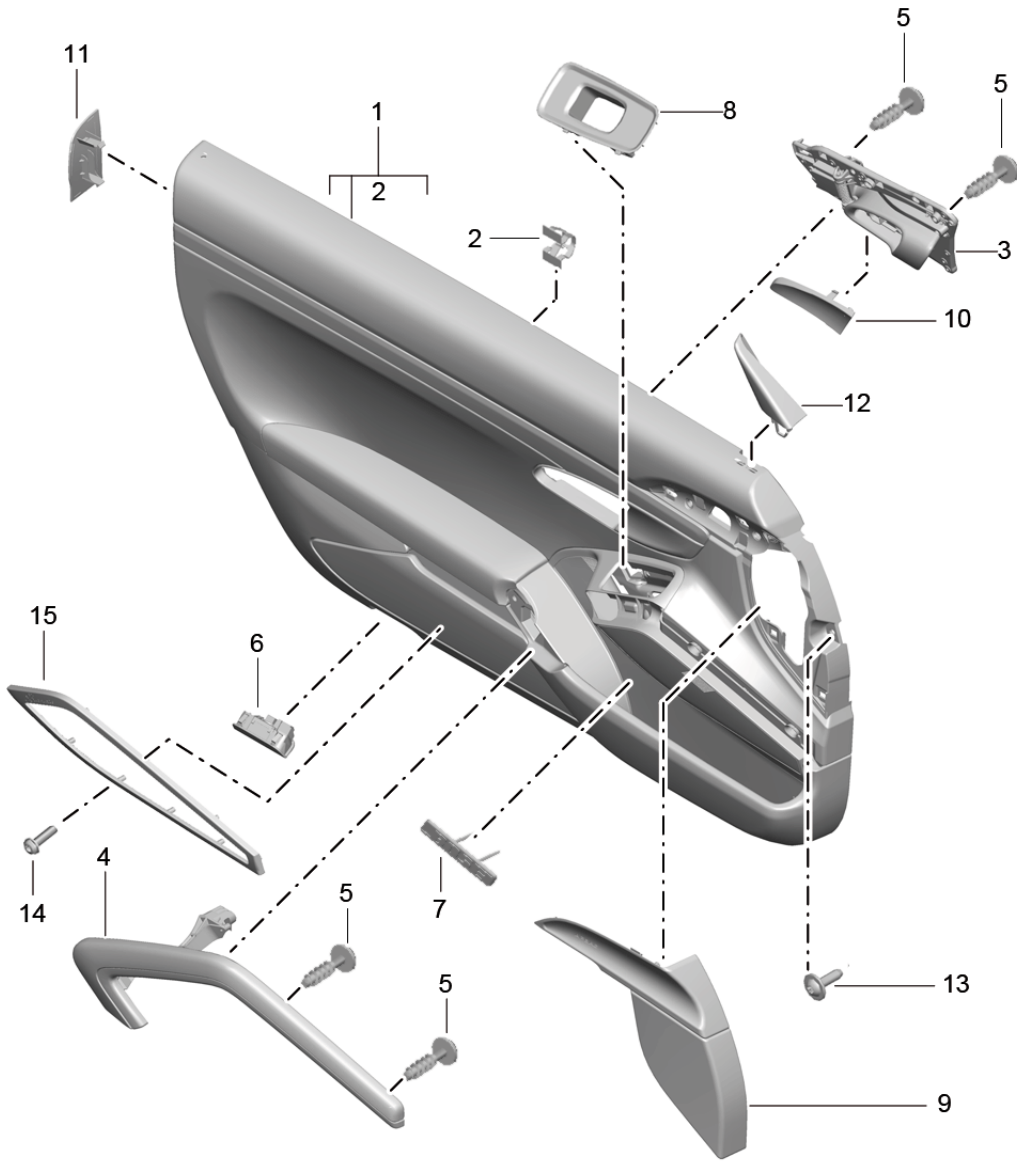
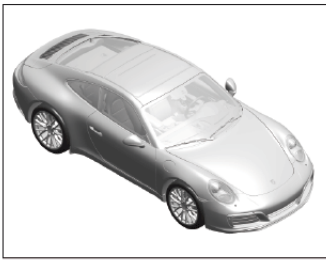
Pos	Part Number	Description	Remark	Qty	Model
		door panel Leatherette Alcantara			PR:811,975, -981
1	991 555 203 24	Door trim (leatherette)	left	1	PR:9VK,-625
	991 555 203 24 DK4	Black	-GF,GG		
(1)	991 555 204 24	Door trim (leatherette)	right	1	PR:9VK,-625
	991 555 204 24 DK4	Black	-GF,GG		
(1)	991 555 203 63	door panel	left	1	PR:9VL,-625
	991 555 203 63 DK4	Black	-GF,GG		
(1)	991 555 204 63	door panel	right	1	PR:9VL,-625
	991 555 204 63 DK4	Black	-GF,GG		
(1)	991 555 203 64	door panel	left	1	PR:9VJ,-625
	991 555 203 64 DK4	Black	-GF,GG		
(1)	991 555 204 64	door panel	right	1	PR:9VJ,-625
	991 555 204 64 DK4	Black	-GF,GG		
(1)	991 555 203 65	door panel	left lhd	1	PR:9VK,537, -625,098
	991 555 203 65 DK4	Black	-GF,GG		
(1)	991 555 204 65	door panel	right rhd	1	PR:9VK,538, -625,099
	991 555 204 65 DK4	Black	-GF,GG		
(1)	991 555 203 66	door panel	left lhd	1	PR:9VL,537, -625,098
	991 555 203 66 DK4	Black	-GF,GG		
(1)	991 555 204 66	door panel	right rhd	1	PR:9VL,538, -625,099
	991 555 204 66 DK4	Black	-GF,GG		
(1)	991 555 203 67	door panel	left lhd	1	PR:9VJ,537, -625,098
	991 555 203 67 DK4	Black	-GF,GG		
(1)	991 555 204 67	door panel	right rhd	1	PR:9VJ,538, -625,099
	991 555 204 67 DK4	Black	-GF,GG		
(1)	991 555 203 68	door panel	left	1	PR:9VK,625
	991 555 203 68 DK4	Black	-GF,GG		
(1)	991 555 204 68	door panel	right	1	PR:9VK,625
	991 555 204 68 DK4	Black	-GF,GG		
(1)	991 555 203 69	door panel	left	1	PR:9VL,625
	991 555 203 69 DK4	Black	-GF,GG		
(1)	991 555 204 69	door panel	right	1	PR:9VL,625
	991 555 204 69 DK4	Black	-GF,GG		
(1)	991 555 203 70	door panel	left	1	PR:9VJ,625
	991 555 203 70 DK4	Black	-GF,GG		
(1)	991 555 204 70	door panel	right	1	PR:9VJ,625
	991 555 204 70 DK4	Black	-GF,GG		
(1)	991 555 203 71	door panel	left lhd	1	PR:9VK,537, 625,098
	991 555 203 71 DK4	Black	-GF,GG		
(1)	991 555 204 71	door panel	left rhd	1	PR:9VK,538, 625,099
	991 555 204 71 DK4	Black	-GF,GG		
(1)	991 555 203 72	door panel	left lhd	1	PR:9VL,537, 625,098
	991 555 203 72 DK4	Black	-GF,GG		
(1)	991 555 204 72	door panel	left rhd	1	PR:9VL,538, 625,099
	991 555 204 72 DK4	Black	-GF,GG		
(1)	991 555 203 72	door panel	left lhd	1	PR:9VJ,537, 625,098
	991 555 203 72 DK4	Black	-GF,GG		
(1)	991 555 204 72	door panel	left rhd	1	PR:9VJ,538, 625,099
	991 555 204 72 DK4	Black	-GF,GG		

Model: 991-16 Model life 2017>>

Pos	Part Number	Description	Remark	Qty	Model
2	999 507 533 02	Clamp 8,0 X 10,0 /2,5		4	
3	991 555 521 02	Inner actuator	left	1	
		with:			
	991 555 521 02 V08	Sensor Galvano silver			
(3)	991 555 522 02	Inner actuator	right	1	
		with:			
	991 555 522 02 V08	Sensor Galvano silver			
4	991 555 533 01	Pull handle Alcantara	left	1	PR:975
	991 555 533 01 2W0	Black	-GF,GG		
4	991 555 534 01	Pull handle Alcantara	right	1	PR:975
	991 555 534 01 2W0	Black	-GF,GG		
5	999 919 262 01	fillister hd. bolt 4,0 X 16,0		9	
6	970 632 135 00	Door warning light		2	
7	7PP 945 699	inscription Bose		2	PR:680
8	991 555 723 02	Mounting frame Switch		1	
	991 555 723 02 1E0	Black			
9	991 555 721 02	Cover	left	1	
	991 555 721 02 5Q0	Black	front		
(9)	991 555 722 02	Cover	right	1	
	991 555 722 02 5Q0	Black	front		
10	7PP 837 247	Cover panel Inner actuator	left	1	
	7PP 837 247 1E0	Black			
(10)	7PP 837 248	Cover panel Inner actuator	right	1	
	7PP 837 248 1E0	Black			
11	991 555 683 01	cover for airbag	left	1	
	991 555 683 01 5Q0	Black	-GF,GG		
(11)	991 555 684 01	cover for airbag	right	1	
	991 555 684 01 5Q0	Black	-GF,GG		
12	991 555 741 00	Cover panel window frame	left	1	
	991 555 741 00 1E0	Black			
(12)	991 555 742 00	Cover panel window frame	right	1	
	991 555 742 00 1E0	Black			
13	999 073 322 02	fillister hd. bolt M 6 X 20		8	
14	999 919 203 07	fillister hd. bolt M 3 X 10		10	
15	991 555 581 00	decorative frame Loudspeaker trim Burmester	left	1	PR:682
	991 555 581 00 V08	Galvano silver			
(15)	991 555 582 00	decorative frame Loudspeaker trim Burmester	right	1	PR:682
	991 555 582 00 V08	Galvano silver			

Model: 991-16

Model life 2017>>



Model: 991-16

Model life 2017>>

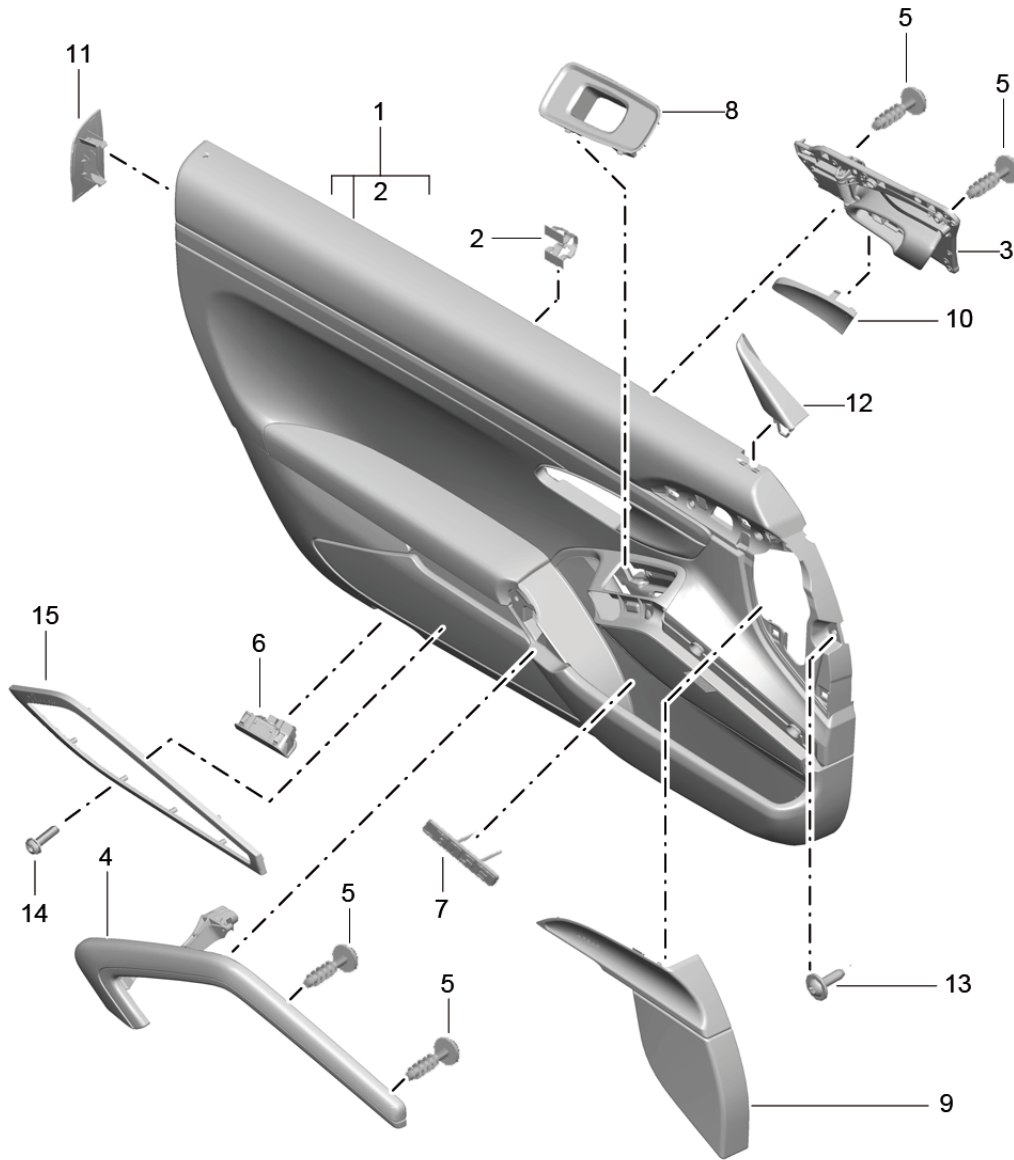
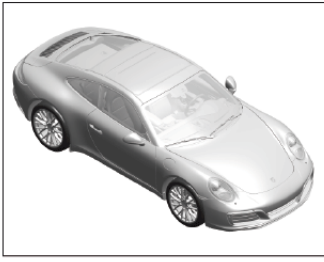
Pos	Part Number	Description	Remark	Qty	Model
		door panel Leather Alcantara Trim Aluminium Black			PR:815,975, 981
1	991 555 203 50	Door trim (Alcantara)	left	1	PR:490,-625
	991 555 203 50 DSP	Brushed aluminium/black	-GW,GY		
(1)	991 555 204 50	Door trim (Alcantara)	right	1	PR:490,-625
	991 555 204 50 DSP	Brushed aluminium/black	-GW,GY		
(1)	991 555 203 51	Door trim (Alcantara)	left	1	PR:680,-625
	991 555 203 51 DSP	Brushed aluminium/black	-GW,GY		
(1)	991 555 204 51	Door trim (Alcantara)	right	1	PR:680,-625
	991 555 204 51 DSP	Brushed aluminium/black	-GW,GY		
(1)	991 555 203 52	Door trim (Alcantara)	left	1	PR:682,-625
	991 555 203 52 DSP	Brushed aluminium/black	-GW,GY		
(1)	991 555 204 52	Door trim (Alcantara)	right	1	PR:682,-625
	991 555 204 52 DSP	Brushed aluminium/black	-GW,GY		
(1)	991 555 203 53	Door trim (Alcantara)	left lhd	1	PR:490,537, -625,098
	991 555 203 53 DSP	Brushed aluminium/black	-GW,GY		
(1)	991 555 204 53	Door trim (Alcantara)	right rhd	1	PR:490,538, -625,099
	991 555 204 53 DSP	Brushed aluminium/black	-GW,GY		
(1)	991 555 203 54	Door trim (Alcantara)	left lhd	1	PR:680,537, -625,098
	991 555 203 54 DSP	Brushed aluminium/black	-GW,GY		
(1)	991 555 204 54	Door trim (Alcantara)	right rhd	1	PR:680,538, -625,099
	991 555 204 54 DSP	Brushed aluminium/black	-GW,GY		
(1)	991 555 203 55	Door trim (Alcantara)	left lhd	1	PR:682,537, -625,098
	991 555 203 55 DSP	Brushed aluminium/black	-GW,GY		
(1)	991 555 204 55	Door trim (Alcantara)	right rhd	1	PR:682,538, -625,099
	991 555 204 55 DSP	Brushed aluminium/black	-GW,GY		
(1)	991 555 203 56	Door trim (Alcantara)	left	1	PR:490,625
	991 555 203 56 DSP	Brushed aluminium/black	-GW,GY		
(1)	991 555 204 56	Door trim (Alcantara)	right	1	PR:490,625
	991 555 204 56 DSP	Brushed aluminium/black	-GW,GY		
(1)	991 555 203 57	Door trim (Alcantara)	left	1	PR:680,625
	991 555 203 57 DSP	Brushed aluminium/black	-GW,GY		
(1)	991 555 204 57	Door trim (Alcantara)	right	1	PR:680,625
	991 555 204 57 DSP	Brushed aluminium/black	-GW,GY		
(1)	991 555 203 58	Door trim (Alcantara)	left	1	PR:682,625
	991 555 203 58 DSP	Brushed aluminium/black	-GW,GY		
(1)	991 555 204 58	Door trim (Alcantara)	right	1	PR:682,625
	991 555 204 58 DSP	Brushed aluminium/black	-GW,GY		
(1)	991 555 203 59	Door trim (Alcantara)	left lhd	1	PR:490,537, 625,098
	991 555 203 59 DSP	Brushed aluminium/black	-GW,GY		
(1)	991 555 204 59	Door trim (Alcantara)	right rhd	1	PR:490,538, 625,099
	991 555 204 59 DSP	Brushed aluminium/black	-GW,GY		
(1)	991 555 203 60	Door trim (Alcantara)	left lhd	1	PR:680,537, 625,098
	991 555 203 60 DSP	Brushed aluminium/black	-GW,GY		
(1)	991 555 204 60	Door trim (Alcantara)	right rhd	1	PR:680,538, 625,099
	991 555 204 60 DSP	Brushed aluminium/black	-GW,GY		
(1)	991 555 203 61	Door trim (Alcantara)	left lhd	1	PR:682,537, 625,098
	991 555 203 61 DSP	Brushed aluminium/black	-GW,GY		
(1)	991 555 204 61	Door trim (Alcantara)	right rhd	1	PR:682,538,

Model: 991-16 Model life 2017>>

Pos	Part Number	Description	Remark	Qty	Model
					625,099
2	991 555 204 61 DSP 999 507 533 02	Brushed aluminium/black Clamp 8,0 X 10,0 /2,5	-GW,GY	4	
3	991 555 521 02	Inner actuator	left	1	
(3)	991 555 521 02 V08 991 555 522 02 991 555 522 02 V08	Galvano silver Inner actuator Galvano silver	right	1	
4	991 555 533 01	Pull handle Alcantara	left	1	
(4)	991 555 533 01 2W0 991 555 534 01	Black Pull handle Alcantara	-GW,GY right	1	
5	991 555 534 01 2W0 999 919 262 01	Black fillister hd. bolt 4,0 X 16,0	-GW,GY	9	
6	1K0 947 419 A	rear light reflector		2	
7	7PP 945 699	inscription Bose		2	PR:9VL,680
8	991 555 723 02	Mounting frame Switch		1	
9	991 555 723 02 1E0 991 555 721 02	Black Cover	left	1	
(9)	991 555 721 02 5Q0 991 555 722 02	Black Cover	-GQ,GR,GW,GY right front	1	
10	991 555 722 02 5Q0 7PP 837 247	Black Cover panel Inner actuator	-GQ,GR,GW,GY left	1	
(10)	7PP 837 247 1E0 7PP 837 248	Black Cover panel Inner actuator	right	1	
11	7PP 837 248 1E0 991 555 683 01	Black cover for airbag	left	1	
(11)	991 555 683 01 5Q0 991 555 684 01 991 555 684 01 5Q0	Black cover for airbag Black	-GQ,GR,GW,GY right -GQ,GR,GW,GY	1	
12	991 555 741 00	Cover panel window frame	left	1	
(12)	991 555 741 00 1E0 991 555 742 00	Black Cover panel window frame	right	1	
13	991 555 742 00 1E0 999 073 322 02	Black fillister hd. bolt M 6 X 20		8	
14	999 919 203 07	fillister hd. bolt M 3 X 10		10	
15	991 555 581 00	decorative frame Loudspeaker trim	left	1	PR:9VJ,682
(15)	991 555 581 00 V08 991 555 582 00	Galvano silver decorative frame Loudspeaker trim	right	1	PR:9VJ,682
	991 555 582 00 V08	Galvano silver			

Model: 991-16

Model life 2017>>





Model: 991-16 Model life 2017>>

Pos	Part Number	Description	Remark	Qty	Model
		door panel Leather Alcantara Trim Leather			PR:XWA,981, 975
1	981 555 993 A8	Door trim (Alcantara) Trim Leather	left	1	PR:9VK,-625
	981 555 993 A8 DSP	Black	-GW,GY		
1	981 555 994 A8	Door trim (Alcantara) Trim Leather	right	1	PR:9VK,-625
	981 555 994 A8 DSP	Black	-GW,GY		
1	981 555 993 A9	Door trim (Alcantara) Trim Leather	left	1	PR:9VL,-625
	981 555 993 A9 DSP	Black	-GW,GY		
1	981 555 994 A9	Door trim (Alcantara) Trim Leather	right	1	PR:9VL,-625
	981 555 994 A9 DSP	Black	-GW,GY		
1	981 555 993 B0	Door trim (Alcantara) Trim Leather	left	1	PR:9VJ,-625
	981 555 993 B0 DSP	Black	-GW,GY		
1	981 555 994 B0	Door trim (Alcantara) Trim Leather	right	1	PR:9VJ,-625
	981 555 994 B0 DSP	Black	-GW,GY		
1	981 555 993 B1	Door trim (Alcantara) Trim Leather	left lhd	1	PR:9VK,537, -625,098
	981 555 993 B1 DSP	Black	-GW,GY		
1	981 555 994 B1	Door trim (Alcantara) Trim Leather	right rhd	1	PR:9VK,538, -625,099
	981 555 994 B1 DSP	Black	-GW,GY		
1	981 555 993 B2	Door trim (Alcantara) Trim Leather	left lhd	1	PR:9VL,537, -625,098
	981 555 993 B2 DSP	Black	-GW,GY		
1	981 555 994 B2	Door trim (Alcantara) Trim Leather	right rhd	1	PR:9VL,538, -625,099
	981 555 994 B2 DSP	Black	-GW,GY		
1	981 555 993 B3	Door trim (Alcantara) Trim Leather	left lhd	1	PR:9VJ,537, -625,098
	981 555 993 B3 DSP	Black	-GW,GY		
1	981 555 994 B3	Door trim (Alcantara) Trim Leather	right rhd	1	PR:9VJ,538, -625,099
	981 555 994 B3 DSP	Black	-GW,GY		
1	981 555 993 B4	Door trim (Alcantara) Trim Leather	left	1	PR:9VK,625
	981 555 993 B4 DSP	Black	-GW,GY		

Model: 991-16

Model life 2017&gt;&gt;

Pos	Part Number	Description	Remark	Qty	Model
1	981 555 994 B4	Door trim (Alcantara) Trim Leather	right	1	PR:9VK,625
	981 555 994 B4 DSP	Black	-GW,GY		
1	981 555 993 B5	Door trim (Alcantara) Trim Leather	left	1	PR:9VL,625
	981 555 993 B5 DSP	Black	-GW,GY		
1	981 555 994 B5	Door trim (Alcantara) Trim Leather	right	1	PR:9VL,625
	981 555 994 B5 DSP	Black	-GW,GY		
1	981 555 993 B6	Door trim (Alcantara) Trim Leather	left	1	PR:9VJ,625
	981 555 993 B6 DSP	Black	-GW,GY		
1	981 555 994 B6	Door trim (Alcantara) Trim Leather	right	1	PR:9VJ,625
	981 555 994 B6 DSP	Black	-GW,GY		
1	981 555 993 B7	Door trim (Alcantara) Trim Leather	left lhd	1	PR:9VK,537, 625,098
	981 555 993 B7 DSP	Black	-GW,GY		
1	981 555 994 B7	Door trim (Alcantara) Trim Leather	right rhd	1	PR:9VK,538, 625,099
	981 555 994 B7 DSP	Black	-GW,GY		
1	981 555 993 B8	Door trim (Alcantara) Trim Leather	left lhd	1	PR:9VL,537, 625,098
	981 555 993 B8 DSP	Black	-GW,GY		
1	981 555 994 B8	Door trim (Alcantara) Trim Leather	right rhd	1	PR:9VL,538, 625,099
	981 555 994 B8 DSP	Black	-GW,GY		
1	981 555 993 B9	Door trim (Alcantara) Trim Leather	left lhd	1	PR:9VJ,537, 625,098
	981 555 993 B9 DSP	Black	-GW,GY		
1	981 555 994 B9	Door trim (Alcantara) Trim Leather	right rhd	1	PR:9VJ,538, 625,099
	981 555 994 B9 DSP	Black	-GW,GY		
2	999 507 533 02	Clamp 8,0 X 10,0 /2,5		4	
3	991 555 521 02	Inner actuator	left	1	
	991 555 521 02 V08	Galvano silver			
(3)	991 555 522 02	Inner actuator	right	1	
	991 555 522 02 V08	Galvano silver			
4	991 555 533 01	Pull handle Alcantara	left	1	
	991 555 533 01 2W0	Black	-GW,GY		
(4)	991 555 534 01	Pull handle Alcantara	right	1	
	991 555 534 01 2W0	Black	-GW,GY		
5	999 919 262 01	fillister hd. bolt		9	

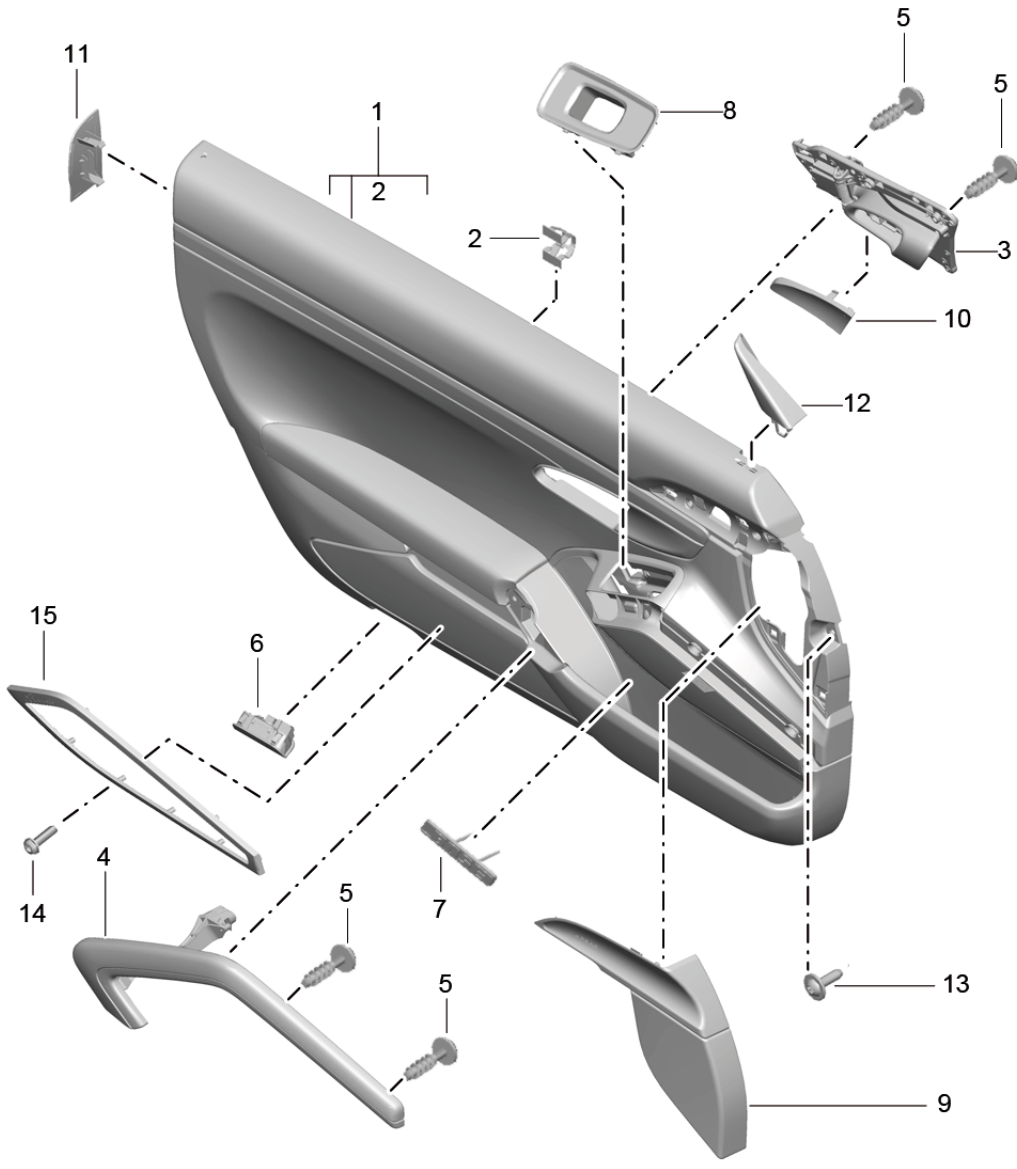
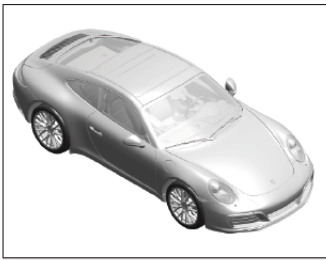
Model: 991-16

Model life 2017>>

Pos	Part Number	Description	Remark	Qty	Model
6	970 632 135 00	4,0 X 16,0 Door warning light		2	
7	7PP 945 699	inscription		2	PR:680
8	991 555 723 01	Bose Mounting frame		1	PR:098,099
	991 555 723 01 1E0	Switch			
9	991 555 721 02	Black Cover	left front	1	
	991 555 721 02 5Q0	Black			
9	991 555 722 02	Black Cover	right front	1	
	991 555 722 02 5Q0	Black			
10	7PP 837 247	Cover panel Inner actuator	left	1	
	7PP 837 247 1E0	Black			
(10)	7PP 837 248	Cover panel Inner actuator	right	1	
	7PP 837 248 1E0	Black			
11	991 555 683 01	cover for airbag	left	1	
	991 555 683 01 5Q0	Black			
(11)	991 555 684 01	cover for airbag	right	1	
	991 555 684 01 5Q0	Black			
12	991 555 741 00	Cover panel window frame	left	1	
	991 555 741 00 1E0	Black			
(12)	991 555 742 00	Cover panel window frame	right	1	
	991 555 742 00 1E0	Black			
13	999 073 322 02	fillister hd. bolt M 6 X 20		8	
14	999 919 203 07	fillister hd. bolt M 3 X 10		10	
15	991 555 581 00	decorative frame Loudspeaker trim	left	1	PR:682
	991 555 581 00 V08	Galvano silver			
(15)	991 555 582 00	decorative frame Loudspeaker trim	right	1	PR:682
	991 555 582 00 V08	Galvano silver			

Model: 991-16

Model life 2017>>



Model: 991-16 Model life 2017>>

Pos	Part Number	Description	Remark	Qty	Model
		door panel Leather Alcantara Trim Carbon			PR:XWC,975, 981
1	991 555 993 62	Door trim (Alcantara)	left	1	PR:9VK,-625
	991 555 993 62 DSP	Black	-GW,GY		
	991 555 993 62 DJS	Black/Rhodium Silver	-GR		
	991 555 993 62 DSN	Black/Carmine Red	-GQ		
(1)	991 555 994 62	Door trim (Alcantara)	right	1	PR:9VK,-625
	991 555 994 62 DSP	Black	-GW,GY		
	991 555 994 62 DJS	Black/Rhodium Silver	-GR		
	991 555 994 62 DSN	Black/Carmine Red	-GQ		
(1)	991 555 203 39	Door trim (Alcantara)	left	1	PR:9VL,-625
	991 555 203 39 DSP	Black	-GW,GY		
	991 555 203 39 DJS	Black/Rhodium Silver	-GR		
	991 555 203 39 DSN	Black/Carmine Red	-GQ		
(1)	991 555 204 39	Door trim (Alcantara)	right	1	PR:9VL,-625
	991 555 204 39 DSP	Black	-GW,GY		
	991 555 204 39 DJS	Black/Rhodium Silver	-GR		
	991 555 204 39 DSN	Black/Carmine Red	-GQ		
(1)	991 555 203 40	Door trim (Alcantara)	left	1	PR:9VJ,-625
	991 555 203 40 DSP	Black	-GW,GY		
	991 555 203 40 DJS	Black/Rhodium Silver	-GR		
	991 555 203 40 DSN	Black/Carmine Red	-GQ		
(1)	991 555 204 40	Door trim (Alcantara)	right	1	PR:9VJ,-625
	991 555 204 40 DSP	Black	-GW,GY		
	991 555 204 40 DJS	Black/Rhodium Silver	-GR		
	991 555 204 40 DSN	Black/Carmine Red	-GQ		
(1)	991 555 203 41	Door trim (Alcantara)	left lhd	1	PR:9VK,537, -625,098
	991 555 203 41 DSP	Black	-GW,GY		
	991 555 203 41 DJS	Black/Rhodium Silver	-GR		
	991 555 203 41 DSN	Black/Carmine Red	-GQ		
(1)	991 555 204 41	Door trim (Alcantara)	right rhd	1	PR:9VK,538, -625,099
	991 555 204 41 DSP	Black	-GW,GY		
	991 555 204 41 DJS	Black/Rhodium Silver	-GR		
	991 555 204 41 DSN	Black/Carmine Red	-GQ		
(1)	991 555 203 42	Door trim (Alcantara)	left lhd	1	PR:9VL,537, -625,098
	991 555 203 42 DSP	Black	-GW,GY		
	991 555 203 42 DJS	Black/Rhodium Silver	-GR		
	991 555 203 42 DSN	Black/Carmine Red	-GQ		
(1)	991 555 204 42	Door trim (Alcantara)	right rhd	1	PR:9VL,538, -625,099
	991 555 204 42 DSP	Black	-GW,GY		
	991 555 204 42 DJS	Black/Rhodium Silver	-GR		
	991 555 204 42 DSN	Black/Carmine Red	-GQ		
(1)	991 555 203 43	Door trim (Alcantara)	left lhd	1	PR:9VJ,537, -625,098
	991 555 203 43 DSP	Black	-GW,GY		
	991 555 203 43 DJS	Black/Rhodium Silver	-GR		
	991 555 203 43 DSN	Black/Carmine Red	-GQ		
(1)	991 555 204 43	Door trim (Alcantara)	right rhd	1	PR:9VJ,538, -625,099
	991 555 204 43 DSP	Black	-GW,GY		
	991 555 204 43 DJS	Black/Rhodium Silver	-GR		
	991 555 204 43 DSN	Black/Carmine Red	-GQ		
(1)	991 555 203 44	Door trim (Alcantara)	left	1	PR:9VK,625
	991 555 203 44 DSP	Black	-GW,GY		
	991 555 203 44 DJS	Black/Rhodium Silver	-GR		
	991 555 203 44 DSN	Black/Carmine Red	-GQ		

Model: 991-16 Model life 2017>>

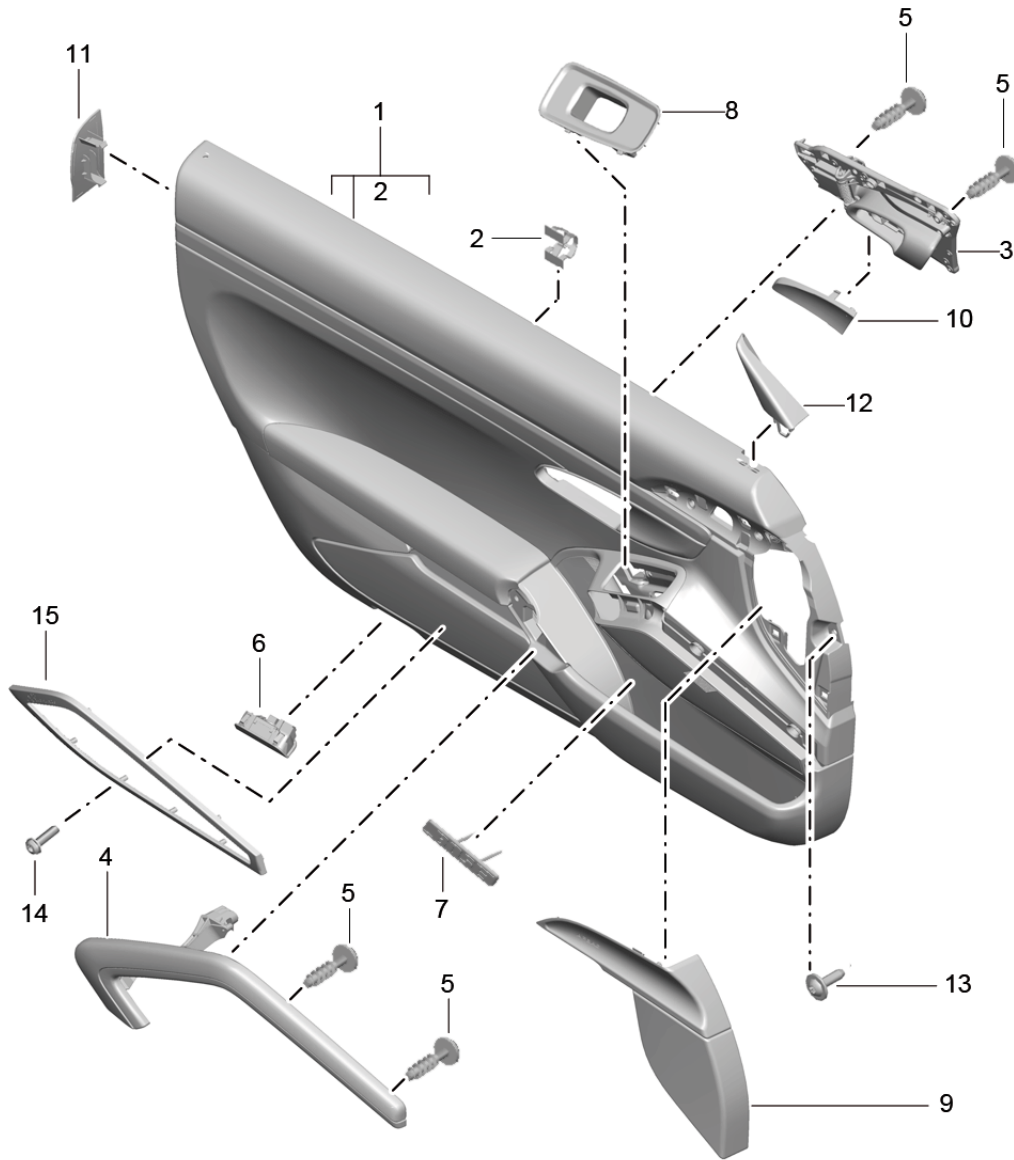
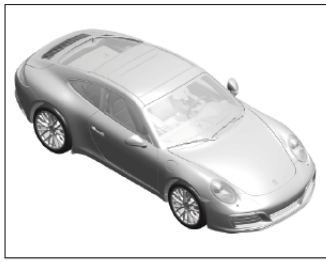
Pos	Part Number	Description	Remark	Qty	Model
(1)	991 555 204 44	Door trim (Alcantara)	right	1	PR:9VK,625
	991 555 204 44 DSP	Black	-GW,GY		
	991 555 204 44 DJS	Black/Rhodium Silver	-GR		
	991 555 204 44 DSN	Black/Carmine Red	-GQ		
(1)	991 555 203 45	Door trim (Alcantara)	left	1	PR:9VL,625
	991 555 203 45 DSP	Black	-GW,GY		
	991 555 203 45 DJS	Black/Rhodium Silver	-GR		
	991 555 203 45 DSN	Black/Carmine Red	-GQ		
(1)	991 555 204 45	Door trim (Alcantara)	right	1	PR:9VL,625
	991 555 204 45 DSP	Black	-GW,GY		
	991 555 204 45 DJS	Black/Rhodium Silver	-GR		
	991 555 204 45 DSN	Black/Carmine Red	-GQ		
(1)	991 555 203 46	Door trim (Alcantara)	left	1	PR:9VJ,625
	991 555 203 46 DSP	Black	-GW,GY		
	991 555 203 46 DJS	Black/Rhodium Silver	-GR		
	991 555 203 46 DSN	Black/Carmine Red	-GQ		
(1)	991 555 204 46	Door trim (Alcantara)	right	1	PR:9VJ,625
	991 555 204 46 DSP	Black	-GW,GY		
	991 555 204 46 DJS	Black/Rhodium Silver	-GR		
	991 555 204 46 DSN	Black/Carmine Red	-GQ		
(1)	991 555 203 47	Door trim (Alcantara)	left lhd	1	PR:9VK,537, 625,098
	991 555 203 47 DSP	Black	-GW,GY		
	991 555 203 47 DJS	Black/Rhodium Silver	-GR		
	991 555 203 47 DSN	Black/Carmine Red	-GQ		
(1)	991 555 204 47	Door trim (Alcantara)	right rhd	1	PR:9VK,538, 625,099
	991 555 204 47 DSP	Black	-GW,GY		
	991 555 204 47 DJS	Black/Rhodium Silver	-GR		
	991 555 204 47 DSN	Black/Carmine Red	-GQ		
(1)	991 555 203 48	Door trim (Alcantara)	left lhd	1	PR:9VL,537, 625,098
	991 555 203 48 DSP	Black	-GW,GY		
	991 555 203 48 DJS	Black/Rhodium Silver	-GR		
	991 555 203 48 DSN	Black/Carmine Red	-GQ		
(1)	991 555 204 48	Door trim (Alcantara)	right rhd	1	PR:9VL,538, 625,099
	991 555 204 48 DSP	Black	-GW,GY		
	991 555 204 48 DJS	Black/Rhodium Silver	-GR		
	991 555 204 48 DSN	Black/Carmine Red	-GQ		
(1)	991 555 203 49	Door trim (Alcantara)	left lhd	1	PR:9VJ,537, 625,098
	991 555 203 49 DSP	Black	-GW,GY		
	991 555 203 49 DJS	Black/Rhodium Silver	-GR		
	991 555 203 49 DSN	Black/Carmine Red	-GQ		
(1)	991 555 204 49	Door trim (Alcantara)	right rhd	1	PR:9VJ,538, 625,099
	991 555 204 49 DSP	Black	-GW,GY		
	991 555 204 49 DJS	Black/Rhodium Silver	-GR		
	991 555 204 49 DSN	Black/Carmine Red	-GQ		
2	999 507 533 02	Clamp		4	
		8,0 X 10,0 /2,5			
3	991 555 521 02	Inner actuator	left	1	
	991 555 521 02 V08	Galvano silver			
(3)	991 555 522 02	Inner actuator	right	1	
	991 555 522 02 V08	Galvano silver			
4	991 555 533 01	Pull handle	left	1	
		Alcantara			
	991 555 533 01 2W0	Black	-GW,GY		
	991 555 533 01 RBI	Black/Carmine Red	-GQ		
	991 555 533 01 RBK	Black/Rhodium Silver	-GR		
(4)	991 555 534 01	Pull handle	right	1	
		Alcantara			

Model: 991-16 Model life 2017>>

Pos	Part Number	Description	Remark	Qty	Model
	991 555 534 01 2W0	Black	-GW,GY		
	991 555 534 01 RBI	Black/Carmine Red	-GQ		
	991 555 534 01 RBK	Black/Rhodium Silver	-GR		
5	999 919 262 01	fillister hd. bolt 4,0 X 16,0		9	
6	1K0 947 419 A	rear light reflector		2	
7	7PP 945 699	inscription Bose		2	PR:9VL
8	991 555 723 02	Mounting frame Switch		1	
	991 555 723 02 1E0	Black			
9	991 555 721 02	Cover	left	1	
	991 555 721 02 5Q0	Black	-GQ,GR,GW,GY		
(9)	991 555 722 02	Cover	right	1	
	991 555 722 02 5Q0	Black	-GQ,GR,GW,GY		
10	7PP 837 247	Cover panel Inner actuator	left	1	
	7PP 837 247 1E0	Black			
(10)	7PP 837 248	Cover panel Inner actuator	right	1	
	7PP 837 248 1E0	Black			
11	991 555 683 01	cover for airbag	left	1	
	991 555 683 01 5Q0	Black	-GQ,GR,GW,GY		
(11)	991 555 684 01	cover for airbag	right	1	
	991 555 684 01 5Q0	Black	-GQ,GR,GW,GY		
12	991 555 741 00	Cover panel window frame	left	1	
	991 555 741 00 1E0	Black			
(12)	991 555 742 00	Cover panel window frame	right	1	
	991 555 742 00 1E0	Black			
13	999 073 322 02	fillister hd. bolt M 6 X 20		8	
14	999 919 203 07	fillister hd. bolt M 3 X 10		10	
15	991 555 581 00	decorative frame Loudspeaker trim	left	1	PR:9VJ
	991 555 581 00 V08	Galvano silver			
(15)	991 555 582 00	decorative frame Loudspeaker trim	right	1	PR:9VJ
	991 555 582 00 V08	Galvano silver			

Model: 991-16

Model life 2017>>





Model: 991-16 Model life 2017>>

Pos	Part Number	Description	Remark	Qty	Model
		door panel Leather Alcantara Trim Aluminium, brushed			PR:XWD,981, 975
1	981 555 993 C0	Door trim (Alcantara) Trim Aluminium, brushed	left	1	PR:9VK,-625
	981 555 993 C0 DSP	Black	-GW,GY		
1	981 555 994 C0	Door trim (Alcantara) Trim Aluminium, brushed	right	1	PR:9VK,-625
	981 555 994 C0 DSP	Black	-GW,GY		
1	981 555 993 C1	Door trim (Alcantara) Trim Aluminium, brushed	left	1	PR:9VL,-625
	981 555 993 C1 DSP	Black	-GW,GY		
1	981 555 994 C1	Door trim (Alcantara) Trim Aluminium, brushed	right	1	PR:9VL,-625
	981 555 994 C1 DSP	Black	-GW,GY		
1	981 555 993 C2	Door trim (Alcantara) Trim Aluminium, brushed	left	1	PR:9VJ,-625
	981 555 993 C2 DSP	Black	-GW,GY		
1	981 555 994 C2	Door trim (Alcantara) Trim Aluminium, brushed	right	1	PR:9VJ,-625
	981 555 994 C2 DSP	Black	-GW,GY		
1	981 555 993 C3	Door trim (Alcantara) Trim Aluminium, brushed	left lhd	1	PR:9VK,537, -625,098
	981 555 993 C3 DSP	Black	-GW,GY		
1	981 555 994 C3	Door trim (Alcantara) Trim Aluminium, brushed	right rhd	1	PR:9VK,538, -625,099
	981 555 994 C3 DSP	Black	-GW,GY		
1	981 555 993 C4	Door trim (Alcantara) Trim Aluminium, brushed	left lhd	1	PR:9VL,537, -625,098
	981 555 993 C4 DSP	Black	-GW,GY		
1	981 555 994 C4	Door trim (Alcantara) Trim Aluminium, brushed	right rhd	1	PR:9VL,538, -625,099
	981 555 994 C4 DSP	Black	-GW,GY		
1	981 555 993 C5	Door trim (Alcantara) Trim Aluminium, brushed	left lhd	1	PR:9VJ,537, -625,098
	981 555 993 C5 DSP	Black	-GW,GY		
1	981 555 994 C5	Door trim (Alcantara) Trim Aluminium, brushed	right rhd	1	PR:9VJ,538, -625,099
	981 555 994 C5 DSP	Black	-GW,GY		
1	981 555 993 C6	Door trim (Alcantara) Trim Aluminium, brushed	left	1	PR:9VK,625
	981 555 993 C6 DSP	Black	-GW,GY		

Model: 991-16 Model life 2017>>

Pos	Part Number	Description	Remark	Qty	Model
1	981 555 994 C6	Door trim (Alcantara) Trim Aluminium, brushed	right	1	PR:9VK,625
	981 555 994 C6 DSP	Black	-GW,GY		
1	981 555 993 C7	Door trim (Alcantara) Trim Aluminium, brushed	left	1	PR:9VL,625
	981 555 993 C7 DSP	Black	-GW,GY		
1	981 555 994 C7	Door trim (Alcantara) Trim Aluminium, brushed	right	1	PR:9VL,625
	981 555 994 C7 DSP	Black	-GW,GY		
1	981 555 993 C8	Door trim (Alcantara) Trim Aluminium, brushed	left	1	PR:9VJ,625
	981 555 993 C8 DSP	Black	-GW,GY		
1	981 555 994 C8	Door trim (Alcantara) Trim Aluminium, brushed	right	1	PR:9VJ,625
	981 555 994 C8 DSP	Black	-GW,GY		
1	981 555 993 C9	Door trim (Alcantara) Trim Aluminium, brushed	left lhd	1	PR:9VK,537, 625,098
	981 555 993 C9 DSP	Black	-GW,GY		
1	981 555 994 C9	Door trim (Alcantara) Trim Aluminium, brushed	right rhd	1	PR:9VK,538, 625,099
	981 555 994 C9 DSP	Black	-GW,GY		
1	981 555 993 D0	Door trim (Alcantara) Trim Aluminium, brushed	left lhd	1	PR:9VL,537, 625,098
	981 555 993 D0 DSP	Black	-GW,GY		
1	981 555 994 D0	Door trim (Alcantara) Trim Aluminium, brushed	right rhd	1	PR:9VL,538, 625,099
	981 555 994 D0 DSP	Black	-GW,GY		
1	981 555 993 D1	Door trim (Alcantara) Trim Aluminium, brushed	left lhd	1	PR:9VJ,537, 625,098
	981 555 993 D1 DSP	Black	-GW,GY		
1	981 555 994 D1	Door trim (Alcantara) Trim Aluminium, brushed	right rhd	1	PR:9VJ,538, 625,099
	981 555 994 D1 DSP	Black	-GW,GY		
2	999 507 533 02	Clamp 8,0 X 10,0 /2,5		4	
3	991 555 521 02	Inner actuator	left	1	
	991 555 521 02 V08	Galvano silver			
(3)	991 555 522 02	Inner actuator	right	1	
	991 555 522 02 V08	Galvano silver			
4	991 555 533 01	Pull handle Alcantara	left	1	
	991 555 533 01 2W0	Black	-GW,GY		
(4)	991 555 534 01	Pull handle Alcantara	right	1	
	991 555 534 01 2W0	Black	-GW,GY		
5	999 919 262 01	fillister hd. bolt		9	

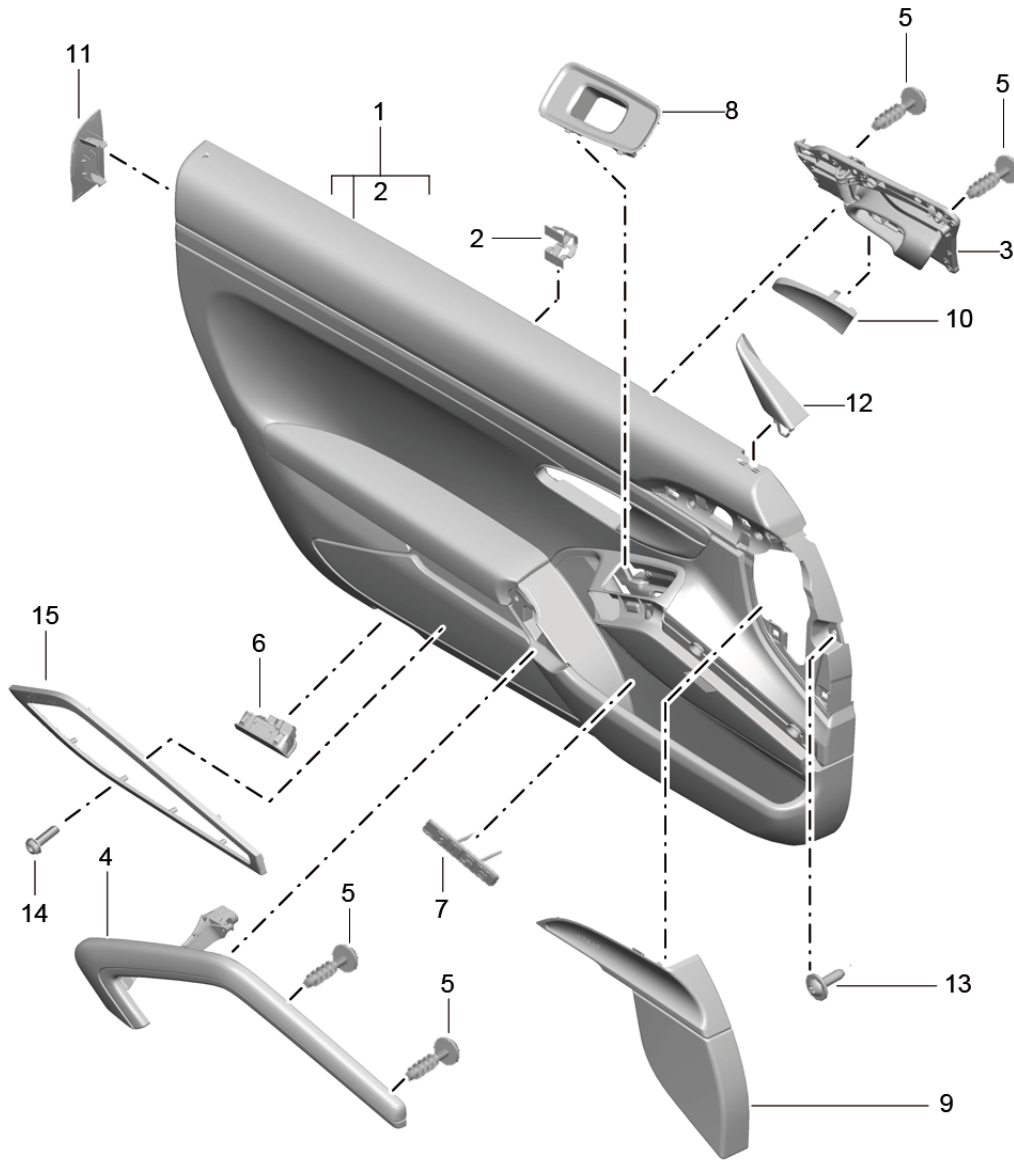
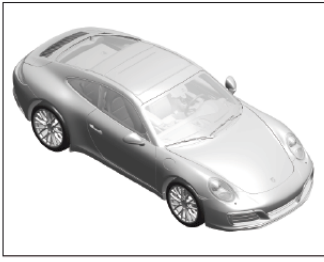
Model: 991-16

Model life 2017>>

Pos	Part Number	Description	Remark	Qty	Model
6	970 632 135 00	4,0 X 16,0 Door warning light		2	
7	7PP 945 699	inscription		2	PR:680
8	991 555 723 01	Bose Mounting frame		1	PR:098,099
	991 555 723 01 1E0	Switch			
9	991 555 721 02	Black Cover	left front	1	
	991 555 721 02 5Q0	Black			
(9)	991 555 722 02	Cover	right front	1	
	991 555 722 02 5Q0	Black			
10	7PP 837 247	Cover panel Inner actuator	left	1	
	7PP 837 247 1E0	Black			
(10)	7PP 837 248	Cover panel Inner actuator	right	1	
	7PP 837 248 1E0	Black			
11	991 555 683 01	cover for airbag	left	1	
	991 555 683 01 5Q0	Black			
(11)	991 555 684 01	cover for airbag	right	1	
	991 555 684 01 5Q0	Black			
12	991 555 741 00	Cover panel window frame	left	1	
	991 555 741 00 1E0	Black			
(12)	991 555 742 00	Cover panel window frame	right	1	
	991 555 742 00 1E0	Black			
13	999 073 322 02	fillister hd. bolt M 6 X 20		8	
14	999 919 203 07	fillister hd. bolt M 3 X 10		10	
15	991 555 581 00	decorative frame Loudspeaker trim	left	1	PR:682
	991 555 581 00 V08	Galvano silver			
(15)	991 555 582 00	decorative frame Loudspeaker trim	right	1	PR:682
	991 555 582 00 V08	Galvano silver			

Model: 991-16

Model life 2017>>



Model: 991-16 Model life 2017>>

Pos	Part Number	Description	Remark	Qty	Model
-		door panel Leather Alcantara Trim in Exterior colour Lacquered in your order Vehicle Ident. No. and Please state the colour			PR:XWE,981, 975
1	981 555 993 96	Door trim (Alcantara) Trim	left painted	1	PR:9VK,-625
	981 555 993 96 DSP	Black	-GW,GY		
1	981 555 994 96	Door trim (Alcantara) Trim	right painted	1	PR:9VK,-625
	981 555 994 96 DSP	Black	-GW,GY		
1	981 555 993 97	Door trim (Alcantara) Trim	left painted	1	PR:9VL,-625
	981 555 993 97 DSP	Black	-GW,GY		
1	981 555 994 97	Door trim (Alcantara) Trim	right painted	1	PR:9VL,-625
	981 555 994 97 DSP	Black	-GW,GY		
1	981 555 993 98	Door trim (Alcantara) Trim	left painted	1	PR:9VJ,-625
	981 555 993 98 DSP	Black	-GW,GY		
1	981 555 994 98	Door trim (Alcantara) Trim	right painted	1	PR:9VJ,-625
	981 555 994 98 DSP	Black	-GW,GY		
1	981 555 993 99	Door trim (Alcantara) Trim	left lhd painted	1	PR:9VK,537, -625,098
	981 555 993 99 DSP	Black	-GW,GY		
1	981 555 994 99	Door trim (Alcantara) Trim	right rhd painted	1	PR:9VK,538, -625,099
	981 555 994 99 DSP	Black	-GW,GY		
1	981 555 993 A0	Door trim (Alcantara) Trim	left lhd painted	1	PR:9VL,537, -625,098
	981 555 993 A0 DSP	Black	-GW,GY		
1	981 555 994 A0	Door trim (Alcantara) Trim	right rhd painted	1	PR:9VL,538, -625,099
	981 555 994 A0 DSP	Black	-GW,GY		
1	981 555 993 A1	Door trim (Alcantara) Trim	left lhd painted	1	PR:9VJ,537, -625,098
	981 555 993 A1 DSP	Black	-GW,GY		
1	981 555 994 A1	Door trim (Alcantara) Trim	right rhd painted	1	PR:9VJ,538, -625,099
	981 555 994 A1 DSP	Black	-GW,GY		
1	981 555 993 A2	Door trim (Alcantara) Trim	left painted	1	PR:9VK,625
	981 555 993 A2 DSP	Black	-GW,GY		
1	981 555 994 A2	Door trim (Alcantara) Trim	right painted	1	PR:9VK,625
	981 555 994 A2 DSP	Black	-GW,GY		
1	981 555 993 A3	Door trim (Alcantara) Trim	left painted	1	PR:9VL,625
	981 555 993 A3 DSP	Black	-GW,GY		
1	981 555 994 A3	Door trim (Alcantara)	right	1	PR:9VL,625

Model: 991-16

Model life 2017&gt;&gt;

Pos	Part Number	Description	Remark	Qty	Model
1	981 555 994 A3 DSP 981 555 993 A4	Trim Black Door trim (Alcantara)	painted -GW,GY left	1	PR:9VJ,625
1	981 555 993 A4 DSP 981 555 994 A4	Trim Black Door trim (Alcantara)	painted -GW,GY right	1	PR:9VJ,625
1	981 555 994 A4 DSP 981 555 993 A5	Trim Black Door trim (Alcantara)	painted -GW,GY left lhd	1	PR:9VK,537, 625,098
1	981 555 993 A5 DSP 981 555 994 A5	Trim Black Door trim (Alcantara)	painted -GW,GY right rhd	1	PR:9VK,538, 625,099
1	981 555 994 A5 DSP 981 555 993 A6	Trim Black Door trim (Alcantara)	painted -GW,GY left lhd	1	PR:9VL,537, 625,098
1	981 555 993 A6 DSP 981 555 994 A6	Trim Black Door trim (Alcantara)	painted -GW,GY right rhd	1	PR:9VL,538, 625,099
1	981 555 994 A6 DSP 981 555 993 A7	Trim Black Door trim (Alcantara)	painted -GW,GY left lhd	1	PR:9VJ,537, 625,098
1	981 555 993 A7 DSP 981 555 994 A7	Trim Black Door trim (Alcantara)	painted -GW,GY right rhd	1	PR:9VJ,538, 625,099
2	981 555 994 A7 DSP 999 507 533 02	Trim Black Clamp	painted -GW,GY	4	
3	991 555 521 02	8,0 X 10,0 /2,5 Inner actuator	left	1	
(3)	991 555 521 02 V08 991 555 522 02 991 555 522 02 V08	Galvano silver Inner actuator Galvano silver	right	1	
4	991 555 533 01	Pull handle Alcantara	left	1	
(4)	991 555 533 01 2W0 991 555 534 01	Black Pull handle Alcantara	-GW,GY right	1	
5	991 555 534 01 2W0 999 919 262 01	Black fillister hd. bolt	-GW,GY	9	
6	970 632 135 00	4,0 X 16,0 Door warning light		2	
7	7PP 945 699	inscription Bose		2	PR:680
8	991 555 723 01	Mounting frame Switch		1	PR:098,099
9	991 555 723 01 1E0 991 555 721 02	Black Cover	left front	1	
(9)	991 555 721 02 5Q0 991 555 722 02	Black Cover	right front	1	
10	991 555 722 02 5Q0 7PP 837 247	Black Cover panel Inner actuator	left	1	
(10)	7PP 837 247 1E0 7PP 837 248	Black Cover panel Inner actuator	right	1	

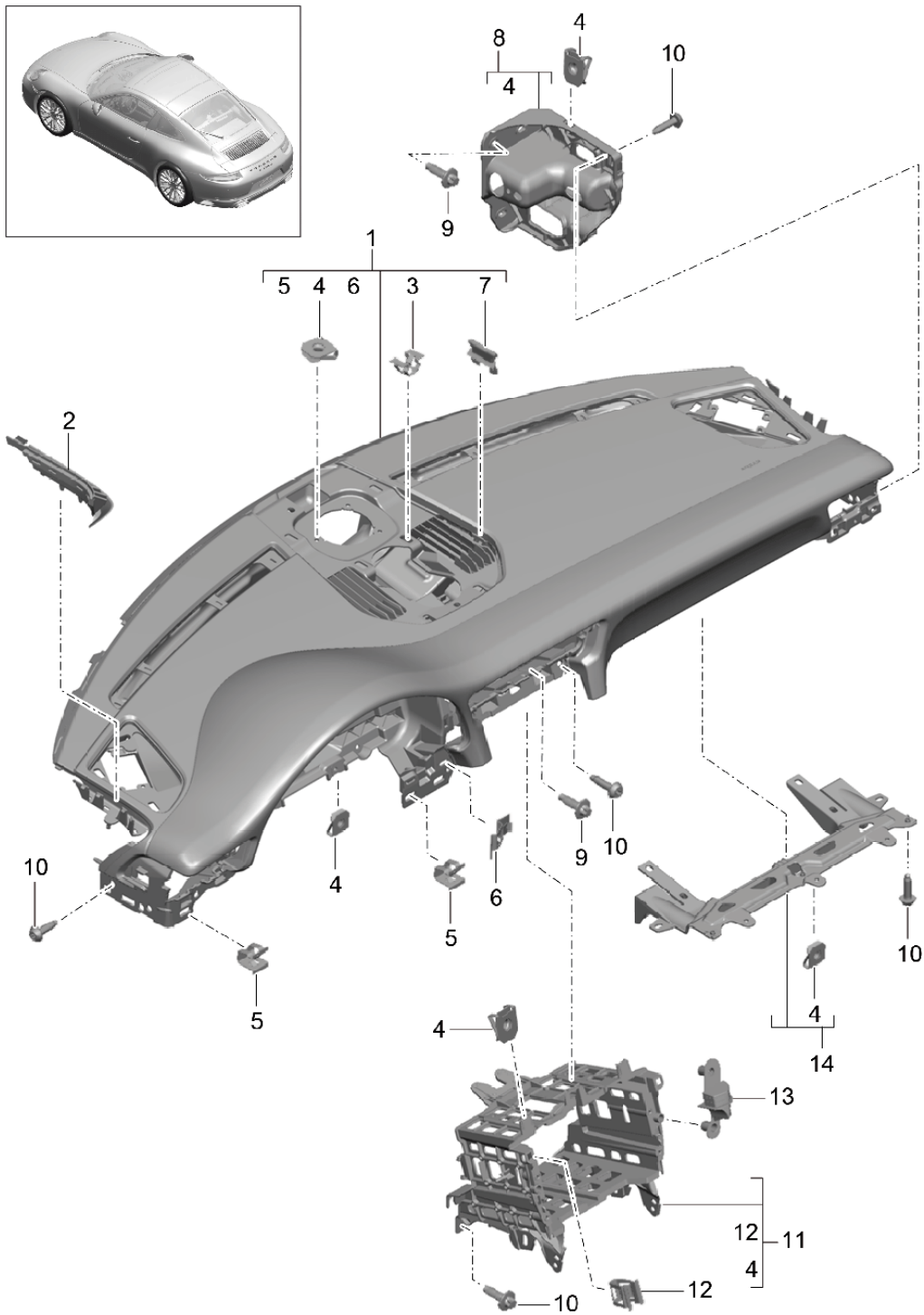
Model: 991-16

Model life 2017>>

Pos	Part Number	Description	Remark	Qty	Model
11	7PP 837 248 1E0 991 555 683 01	Black cover for airbag	left	1	
(11)	991 555 683 01 5Q0 991 555 684 01	Black cover for airbag	right	1	
12	991 555 684 01 5Q0 991 555 741 00	Black Cover panel window frame	left	1	
(12)	991 555 741 00 1E0 991 555 742 00	Black Cover panel window frame	right	1	
13	991 555 742 00 1E0 999 073 322 02	Black fillister hd. bolt M 6 X 20		8	
14	999 919 203 07	fillister hd. bolt M 3 X 10		10	
15	991 555 581 00	decorative frame Loudspeaker trim	left	1	PR:682
(15)	991 555 581 00 V08 991 555 582 00	Galvano silver decorative frame Loudspeaker trim	right	1	PR:682
	991 555 582 00 V08	Galvano silver			

Model: 991-16

Model life 2017>>





Model: 991-16 Model life 2017>>

Pos	Part Number	Description	Remark	Qty	Model
1	991 552 101 06	Instrument panel trim Upper part  with: Fasteners	lhd	1	PR:098,-981
	991 552 101 06 DK4	Black	-AG,AJ,AQ,GF, GG		
	991 552 101 06 OU4	agate grey	-FG,FJ,FQ		
	991 552 101 06 DM5	Luxor beige	-UG,UJ,UQ		
(1)	991 552 102 04	Instrument panel trim Upper part Leatherette	rhd	1	PR:099,-981
	991 552 102 04 DK4	Black	-AG,AJ,AQ,GF, GG		
	991 552 102 04 OU4	agate grey	-FG,FJ,FQ		
	991 552 102 04 DM5	Luxor beige	-UG,UJ,UQ		
(1)	991 552 101 13	Instrument panel trim Upper part Leather	lhd	1	PR:098,981
	991 552 101 13 DPI	Black/Racing Yellow	-YL		
	991 552 101 13 A11	Black	-AZ,GW,GY		
	991 552 101 13 OA1	agate grey	-FZ		
	991 552 101 13 OH7	Graphite Blue	-HZ		
	991 552 101 13 OK6	saddle brown	-SZ		
	991 552 101 13 7J0	Luxor beige	-UZ		
	991 552 101 13 OG6	Bordeaux red	-LZ		
	991 552 101 13 DTK	Black/Luxor Beige	-BT		
	991 552 101 13 GUF	Black/Bordeaux Red	-BM		
	991 552 101 13 GTF	Graphite Blue/Chalk	-BG		
	991 552 101 13 6J0	Espresso	-NE		
	991 552 101 13 GRF	Espresso/Cognac	-BY		
	991 552 101 13 DSK	Black/Carmine Red	-GQ		
	991 552 101 13 HAG	Black/Rhodium Silver	-GR		
	991 552 101 13 JHB	Black/Dark Silver	-TD		
(1)	991 552 102 11	Instrument panel trim Upper part Leather	rhd	1	PR:099,981
	991 552 102 11 DPI	Black/Racing Yellow	-YL		
	991 552 102 11 9B0	Platinum Grey			
	991 552 102 11 A11	Black	-AZ,GW,GY		
	991 552 102 11 OA1	agate grey	-FZ		
	991 552 102 11 OH7	Graphite Blue	-HZ		
	991 552 102 11 OK6	saddle brown	-SZ		
	991 552 102 11 7J0	Luxor beige	-UZ		
	991 552 102 11 OG6	Bordeaux red	-LZ		
	991 552 102 11 DTK	Black/Luxor Beige	-BT		
	991 552 102 11 GUF	Black/Bordeaux Red	-BM		
	991 552 102 11 GTF	Graphite Blue/Chalk	-BG		
	991 552 102 11 6J0	Espresso	-NE		
	991 552 102 11 GRF	Espresso/Cognac	-BY		
	991 552 102 11 DSK	Black/Carmine Red	-GQ		
	991 552 102 11 HAG	Black/Rhodium Silver	-GR		
	991 552 102 11 JHB	Black/Dark Silver	-TD		
2	991 552 581 00	Insert A-pillar	left	1	
(2)	991 552 582 00	Insert A-pillar	right	1	
3	999 507 533 02	Clamp Mount		14	
4	999 507 556 01	Defroster trim panel nut		X	

Model: 991-16

Model life 2017>>

Pos	Part Number	Description	Remark	Qty	Model
5	8E0 853 107	M5 Clip		4	
6	955 552 107 00	Retaining clip		2	
7	999 591 547 01	U-clip		2	
8	991 552 620 00	Retainer for support frame	right	1	
(8)	991 552 619 00	Retainer for support frame	left	1	
9	999 919 278 01	Hexagon head bolt M6 X 20		X	
10	999 073 498 01	fillister hd. bolt M5X20		X	
11	991 552 111 02	Mounting frame PCM		1	
12	8T0 853 107	Clip		2	
13	991 552 825 01	Connecting piece	upper	1	PR:981
	991 552 825 01 1E0	Black	-AZ, FZ, HZ, BT, BM, BG, NE, BY		
	991 552 825 01 OM8	saddle brown	-SZ		
	991 552 825 01 4H0	Luxor beige	-UZ		
	991 552 825 01 OG6	Bordeaux red	-LZ		
(13)	991 552 826 01	Connecting piece	upper	1	PR:981
	991 552 826 01 1E0	Black	-AZ, FZ, HZ, BT, BM, BG, NE, BY		
	991 552 826 01 OM8	saddle brown	-SZ		
	991 552 826 01 4H0	Luxor beige	-UZ		
	991 552 826 01 OG6	Bordeaux red	-LZ		
14	991 552 360 02	bracket for airbag (passenger side)		1	



Model: 991-16 Model life 2017>>

Pos	Part Number	Description	Remark	Qty	Model
1	991 552 381 02	Accessories Instrument panel trim Upper part Trim (drivers side)	lhd	1	PR:098,-XDM, -XGB,-XHE, -XVP,-XYD, -893
		with:			
(1)	991 552 381 02 V08	Lighting Galvano silver			
	991 552 382 02	Trim (drivers side)	rhd	1	PR:099,-XDM, -XGB,-XHE, -XVP,-XYD, -893
		with:			
(1)	991 552 382 02 V08	Lighting Galvano silver Position 8		1	PR:893
2	991 552 383 01	Order Trim (drivers side)	lhd	1	PR:098,-XDM, -XGB,-XHE, -XVP,-XYD, -893
	991 552 383 01 V08	Galvano silver			
(2)	991 552 384 01	Trim (drivers side)	rhd	1	PR:099,-XDM, -XGB,-XHE, -XVP,-XYD, -893
	991 552 384 01 V08	Galvano silver Position 8			PR:893
3	991 552 525 01	Order Trim Combi-instrument	lhd	1	PR:098,-XNG
	991 552 525 01 5Q0	Black			-AG,AJ,AQ,AZ, BT,BM
	991 552 525 01 OA6	agate grey			-FG,FJ,FQ,FZ
	991 552 525 01 6W0	Luxor beige			-UG,UJ,UQ,UZ
	991 552 525 01 OH7	Graphite Blue			-HZ,BG
	991 552 525 01 OL7	saddle brown			-SZ
	991 552 525 01 OG6	Bordeaux red			-LZ
	991 552 525 01 3T0	Espresso			-NE,BV
(3)	991 552 526 01	Trim Combi-instrument	rhd	1	PR:099,-XNG
	991 552 526 01 5Q0	Black			-AG,AJ,AQ,AZ, BT,BM
	991 552 526 01 OA6	agate grey			-FG,FJ,FQ,FZ
	991 552 526 01 6W0	Luxor beige			-UG,UJ,UQ,UZ
	991 552 526 01 OH7	Graphite Blue			-HZ,BG
	991 552 526 01 OL7	saddle brown			-SZ
	991 552 526 01 OG6	Bordeaux red			-LZ
	991 552 526 01 3T0	Espresso			-NE,BV
(3)	991 552 978 00	Leather panel Combi-instrument	lhd	1	PR:XNG,098
	991 552 978 00 A11	Black			-AG,AJ,AQ,AZ, BT,BM
	991 552 978 00 OA1	agate grey			-FG,FJ,FQ,FZ
	991 552 978 00 7J0	Luxor beige			-UG,UJ,UQ,UZ
	991 552 978 00 OH7	Graphite Blue			-HZ,BG
	991 552 978 00 OK6	saddle brown			-SZ
	991 552 978 00 OG6	Bordeaux red			-LZ
	991 552 978 00 6J0	Espresso			-NE,BV
(3)	991 552 979 00	Leather panel Combi-instrument	rhd	1	PR:XNG,099
	991 552 979 00 A11	Black			-AG,AJ,AQ,AZ, BT,BM

Model: 991-16 Model life 2017>>

Pos	Part Number	Description	Remark	Qty	Model
	991 552 979 00 OA1	agate grey	-FG,FJ,FQ,FZ		
	991 552 979 00 7J0	Luxor beige	-UG,UJ,UQ,UZ		
	991 552 979 00 OH7	Graphite Blue	-HZ,BG		
	991 552 979 00 OK6	saddle brown	-SZ		
	991 552 979 00 OG6	Bordeaux red	-LZ		
	991 552 979 00 6J0	Espresso	-NE,BV		
4	999 507 533 02	Clamp		X	
5	999 507 971 01	panel nut		2	
6	991 552 194 02	Drinks holder	lhd	1	PR:098,-XDM, -XGB,-XHE, -XVP,-XYD, -893
	991 552 194 02 V08	Galvano silver			
(6)	991 552 193 02	Drinks holder	rhd	1	PR:099,-XDM, -XGB,-XHE, -XVP,-XYD, -893
	991 552 193 02 V08	Galvano silver			
(6)		Position 8 Use			PR:893
7	991 552 388 01	Trim (passenger side)	lhd	1	PR:098,-XDM, -XGB,-XHE, -XVP,-XYD, -893
	991 552 388 01 V08	Galvano silver			
(7)	991 552 387 01	Trim (passenger side)	rhd	1	PR:099,-XDM, -XGB,-XHE, -XVP,-XYD, -893
	991 552 387 01 V08	Galvano silver			
(7)		Position 8 Order			
8	991 552 980 20	1 set trim strips for vehicle interior	lhd	1	PR:XVP,098
		with:			
	991 552 980 20 A11	Drinks holder Black			
	991 552 980 20 OA1	agate grey	-AG,AJ,AQ,AZ -FG,FJ,FQ,FZ		
	991 552 980 20 7J0	Luxor beige	-UG,UJ,UQ,UZ, BT		
	991 552 980 20 OH7	Graphite Blue	-HZ		
	991 552 980 20 OK6	saddle brown	-SZ		
	991 552 980 20 OG6	Chalk	-LZ,BM		
	991 552 980 20 OL8	Espresso	-BG		
	991 552 980 20 6J0	Espresso	-NE		
	991 552 980 20 7F0	Cognac	-BY		
(8)	991 552 981 20	1 set trim strips for vehicle interior	rhd	1	PR:XVP,099
		with:			
	991 552 981 20 A11	Drinks holder Black			
	991 552 981 20 OA1	agate grey	-AG,AJ,AQ,AZ -FG,FJ,FQ,FZ		
	991 552 981 20 7J0	Luxor beige	-UG,UJ,UQ,UZ, BT		
	991 552 981 20 OH7	Graphite Blue	-HZ		
	991 552 981 20 OK6	saddle brown	-SZ		
	991 552 981 20 OG6	Chalk	-LZ,BM		
	991 552 981 20 OL8	Espresso	-BG		
	991 552 981 20 6J0	Espresso	-NE		
	991 552 981 20 7F0	Cognac	-BY		
(8)	991 552 980 21	1 set trim strips for	lhd	1	PR:XGB,098

Model: 991-16 Model life 2017>>

Pos	Part Number	Description	Remark	Qty	Model
		vehicle interior			
		with:			
(8)	991 552 980 21 BX3 991 552 981 21	Drinks holder Carbon, fine high-gloss 1 set trim strips for vehicle interior	rhd	1	PR:XGB,099
		with:			
(8)	991 552 981 21 BX3 991 552 980 22	Drinks holder Carbon, fine high-gloss 1 set trim strips for vehicle interior	lhd	1	PR:XHE,098
		with:			
(8)	991 552 980 22 S65 991 552 981 22	Drinks holder mahagoni 1 set trim strips for vehicle interior	rhd	1	PR:XHE,099
		with:			
(8)	991 552 981 22 S65 991 552 980 23	Drinks holder mahagoni 1 set trim strips for vehicle interior	lhd	1	PR:XYD,098
		with:			
(8)	991 552 980 23 U03 991 552 981 23	Drinks holder Aluminium, brushed 1 set trim strips for vehicle interior	rhd	1	PR:XYD,099
		with:			
(8)	991 552 981 23 U03 991 552 281 90	Drinks holder Aluminium, brushed 1 set trim strips for vehicle interior	lhd	1	PR:893,098
		with:			
(8)	991 552 281 90 OR2 991 552 282 90	Drinks holder Aluminium Black 1 set trim strips for vehicle interior	rhd	1	PR:893,099
		with:			
(8)	991 552 282 90 OR2 991 552 980 24	Drinks holder Aluminium Black 1 set trim strips for vehicle interior	lhd	1	PR:XDM,098
		with:			
	991 552 980 24 041	Drinks holder Black	-A1		
	991 552 980 24 M5C	miami blue	-J5		
	991 552 980 24 84A	guards red (Porsche)	-G1		
	991 552 980 24 M2A	Lava Orange	-H2		
	991 552 980 24 M3C	Carmine red	-OL		
	991 552 980 24 1S1	Racing Yellow	-P3		
	991 552 980 24 C9A	white	-OQ		
	991 552 980 24 C9X	Jet Black Metallic	-2T		
	991 552 980 24 M7S	Achat Grey Metallic	-N0		
	991 552 980 24 M8Y	Mahogany Metallic	-Y8		
	991 552 980 24 M5G	Graphite Blue Metallic	-A7		
	991 552 980 24 M5F	Midnight Blue Metallic	-N5		
	991 552 980 24 M5J	Sapphire Blue Metallic	-N1		
	991 552 980 24 M7Z	GT Silver Metallic	-U2		
	991 552 980 24 M7U	Rhodium Silver Metallic	-S2		
	991 552 980 24 S9R	Carrara White metallic	-2Y		
(8)	991 552 981 24	1 set trim strips for vehicle interior	rhd	1	PR:XDM,099
		with:			
		Drinks holder			

Model: 991-16 Model life 2017>>

Pos	Part Number	Description	Remark	Qty	Model
	991 552 981 24 041	Black	-A1		
	991 552 981 24 M5C	miami blue	-J5		
	991 552 981 24 84A	guards red (Porsche)	-G1		
	991 552 981 24 M2A	Lava Orange	-H2		
	991 552 981 24 M3C	Carmine red	-OL		
	991 552 981 24 1S1	Racing Yellow	-P3		
	991 552 981 24 C9A	white	-0Q		
	991 552 981 24 C9X	Jet Black Metallic	-2T		
	991 552 981 24 M7S	Achat Grey Metallic	-N0		
	991 552 981 24 M8Y	Mahogany Metallic	-Y8		
	991 552 981 24 M5G	Graphite Blue Metallic	-A7		
	991 552 981 24 M5F	Midnight Blue Metallic	-N5		
	991 552 981 24 M5J	Sapphire Blue Metallic	-N1		
	991 552 981 24 M7Z	GT Silver Metallic	-U2		
	991 552 981 24 M7U	Rhodium Silver Metallic	-S2		
	991 552 981 24 S9R	Carrara White metallic	-2Y		
(8)	991 552 980 24	1 set trim strips for vehicle interior	lhd	1	PR:098,896
		Trim			
(8)	991 552 980 24 041	Black			
	991 552 981 24	1 set trim strips for vehicle interior	rhd	1	PR:099,896
		Trim			
	991 552 981 24 041	Black			
9	991 552 711 00	Trim	left	1	
		Defroster			
(9)	991 552 712 00	Trim	right	1	
		Defroster			
10	999 702 559 40	Grommet		X	
11	991 552 575 00	Loudspeaker trim	left	1	PR:9VK,9VL
	991 552 575 00 5Q0	Black			
	991 552 575 00 OA6	agate grey	-AG,AJ,AQ,AZ, BT,BM		
	991 552 575 00 6W0	Luxor beige	-FG,FJ,FQ,FZ		
	991 552 575 00 OH7	Graphite Blue	-UG,UJ,UQ,UZ		
	991 552 575 00 OL7	saddle brown	-HZ,BG		
	991 552 575 00 OG6	Bordeaux red	-SZ		
	991 552 575 00 3T0	Espresso	-LZ		
(11)	991 552 576 00	Loudspeaker trim	right	1	PR:9VK,9VL
	991 552 576 00 5Q0	Black			
	991 552 576 00 OA6	agate grey	-AG,AJ,AQ,AZ, BT,BM		
	991 552 576 00 6W0	Luxor beige	-FG,FJ,FQ,FZ		
	991 552 576 00 OH7	Graphite Blue	-UG,UJ,UQ,UZ		
	991 552 576 00 OL7	saddle brown	-HZ,BG		
	991 552 576 00 OG6	Bordeaux red	-SZ		
	991 552 576 00 3T0	Espresso	-LZ		
(11)	991 552 575 01	Loudspeaker trim	left	1	PR:9VJ
	991 552 575 01 5Q0	Black			
	991 552 575 01 OA6	agate grey	-AG,AJ,AQ,AZ, BT,BM		
	991 552 575 01 6W0	Luxor beige	-FG,FJ,FQ,FZ		
	991 552 575 01 OH7	Graphite Blue	-UG,UJ,UQ,UZ		
	991 552 575 01 OL7	saddle brown	-HZ,BG		
	991 552 575 01 OG6	Bordeaux red	-SZ		
	991 552 575 01 3T0	Espresso	-LZ		
(11)	991 552 576 01	Loudspeaker trim	right	1	PR:9VJ
	991 552 576 01 5Q0	Black			
	991 552 576 01 OA6	agate grey	-AG,AJ,AQ,AZ, BT,BM		
	991 552 576 01 6W0	Luxor beige	-FG,FJ,FQ,FZ		
	991 552 576 01 OH7	Graphite Blue	-UG,UJ,UQ,UZ		
	991 552 576 01 OL7	saddle brown	-HZ,BG		
			-SZ		

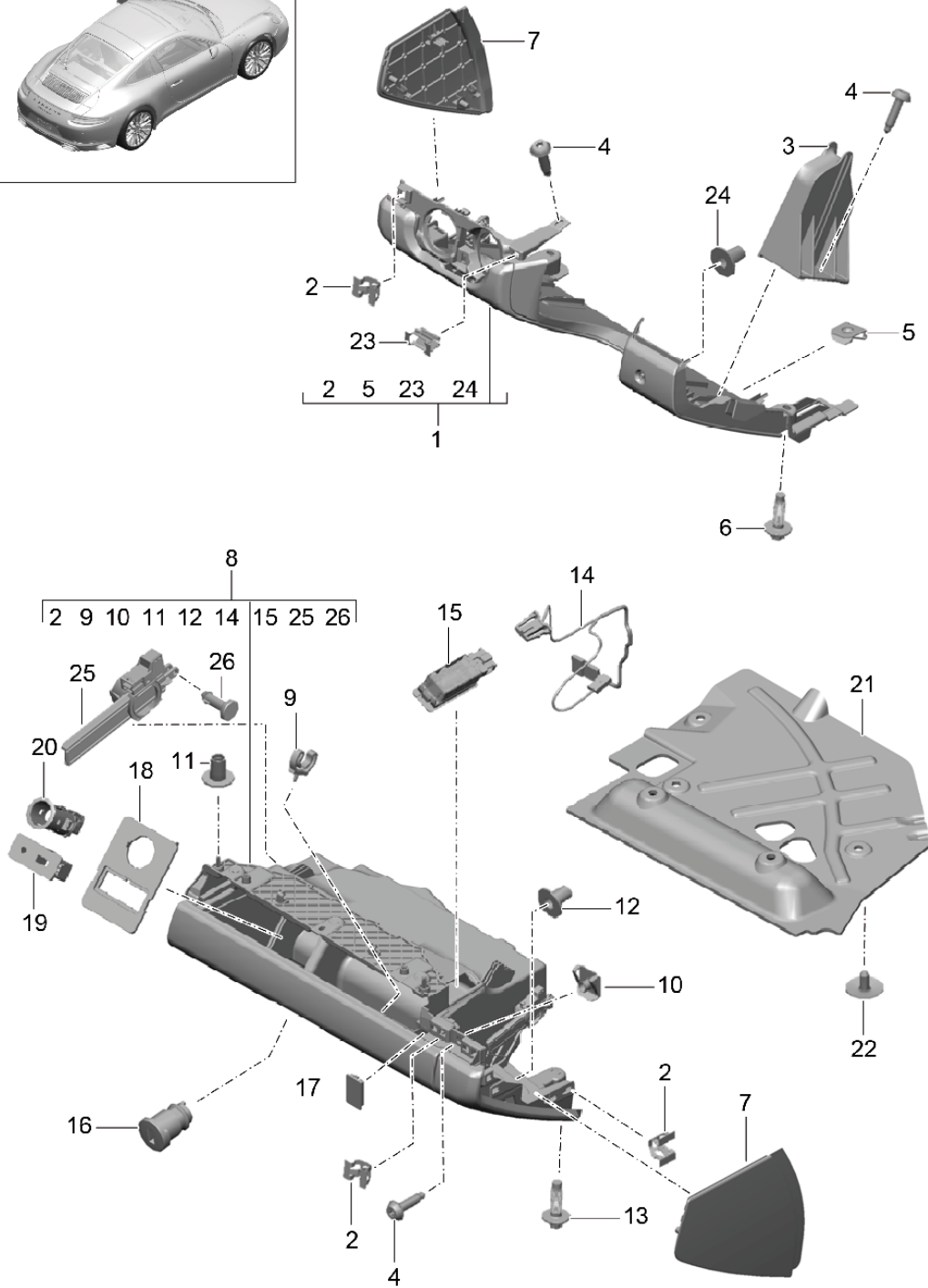
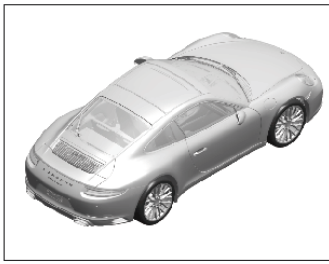
Model: 991-16 Model life 2017>>

Pos	Part Number	Description	Remark	Qty	Model			
12	991 552 576 01 OG6	Bordeaux red	-LZ	2	PR:9VK,9VL			
	991 552 576 01 3T0	Espresso	-NE, BY					
	991 552 775 00	Retaining bar Treble speaker						
(13)	991 552 151 02	Trim	center	1	PR:QR4,QR5			
	991 552 151 02 5Q0	Black	-AG, AJ, AQ, AZ, BT, BM					
	991 552 151 02 OA6	agate grey	-FG, FJ, FQ, FZ					
	991 552 151 02 6W0	Luxor beige	-UG, UJ, UQ, UZ					
	991 552 151 02 OH7	Graphite Blue	-HZ, BG					
	991 552 151 02 OL7	saddle brown	-SZ					
	991 552 151 02 OG6	Bordeaux red	-LZ					
	991 552 151 02 3T0	Espresso	-NE, BY					
	991 552 151 00	Trim	center					
	991 552 151 00 5Q0	Black	-AG, AJ, AQ, AZ, BT, BM, 99					
	991 552 151 00 OA6	agate grey	-FG, FJ, FQ, FZ					
	991 552 151 00 6W0	Luxor beige	-UG, UJ, UQ, UZ					
	14	991 552 151 00 OH7	Graphite Blue			-HZ, BG	1	PR:QR4,QR5
991 552 151 00 OL7		saddle brown	-SZ					
991 552 151 00 OG6		Bordeaux red	-LZ					
991 552 151 00 3T0		Espresso	-NE, BY					
991 552 557 02		Top half Stopwatch						
991 552 557 02 5Q0		Black	-AG, AZ, BT, BM					
991 552 557 02 OA6		agate grey	-FG, FZ					
991 552 557 02 6W0		Luxor beige	-UG, UZ					
991 552 557 02 OH7		Graphite Blue	-HZ, BG					
991 552 557 02 OL7		saddle brown	-SZ					
991 552 557 02 OG6		Bordeaux red	-LZ					
15	991 552 557 02 3T0	Espresso	-NE, BY	2				
	999 919 167 09	fillister hd. bolt 3,0 X 10 Mount Top half						
(16)	991 552 375 02	Defroster trim Leather	left	1	PR:981			
	991 552 375 02 5Q0	Black	-AZ, BT, BM					
	991 552 375 02 OA6	agate grey	-FZ					
	991 552 375 02 OH7	Graphite Blue	-HZ, BG					
	991 552 375 02 OL7	saddle brown	-SZ					
	991 552 375 02 6W0	Luxor beige	-UZ					
	991 552 375 02 OG6	Bordeaux red	-LZ					
	991 552 375 02 3T0	Espresso	-NE, BY					
	991 552 376 02	Defroster trim Leather	right					
	991 552 376 02 5Q0	Black	-AZ, BT, BM					
17	991 552 376 02 OA6	agate grey	-FZ	1	PR:981			
	991 552 376 02 OH7	Graphite Blue	-HZ, BG					
	991 552 376 02 OL7	saddle brown	-SZ					
	991 552 376 02 6W0	Luxor beige	-UZ					
	991 552 376 02 OG6	Bordeaux red	-LZ					
	991 552 376 02 3T0	Espresso	-NE, BY					
	991 552 131 00	Vent	left					
	991 552 131 00 DAP	Galvano silver						
	(17)	991 552 132 00	Vent			right	1	
		991 552 132 00 DAP	Galvano silver					
18	991 552 141 00	Centre nozzle		1				
19	991 552 141 00 DAP	Galvano silver		1				
	999 507 533 02	Clamp Defroster trim						



Model: 991-16

Model life 2017>>



Model: 991-16 Model life 2017>>

Pos	Part Number	Description	Remark	Qty	Model
1	991 552 201 14	Glove box and Trim (drivers side) Instrument panel trim	lhd	1	PR:098,-981
	991 552 201 14 DK4	Lower part Black	-AG,AJ,AQ,GF, GG,WS,WI,WL,WG		
	991 552 201 14 OS2	agate grey	-FG,FJ,FQ		
	991 552 201 14 DM5	Luxor beige	-UG,UJ,UQ		
(1)	991 552 202 10	Instrument panel trim	rhd	1	PR:099,-981
	991 552 202 10 DK4	Lower part Black	-AG,AJ,AQ,GF, GG,WS,WI,WL,WG		
	991 552 202 10 OS2	agate grey	-FG,FJ,FQ		
	991 552 202 10 DM5	Luxor beige	-UG,UJ,UQ		
(1)	991 552 201 15	Instrument panel trim	lhd	1	PR:098,981
	991 552 201 15 A11	Lower part Leather Black	-AZ,TD,YS,YI, YL,YG		
	991 552 201 15 OA1	agate grey	-FZ		
	991 552 201 15 OH7	Graphite Blue	-HZ		
	991 552 201 15 OK6	saddle brown	-SZ		
	991 552 201 15 7J0	Luxor beige	-UZ,BT		
	991 552 201 15 OG6	Bordeaux red	-LZ,BM		
	991 552 201 15 OL8	Chalk	-BG,TG		
	991 552 201 15 6J0	Espresso	-NE		
	991 552 201 15 7F0	Cognac	-BY		
(1)	991 552 202 11	Instrument panel trim	rhd	1	PR:099,981
	991 552 202 11 A11	Lower part Leather Black	-AZ,TD,YS,YI, YL,YG		
	991 552 202 11 OA1	agate grey	-FZ		
	991 552 202 11 OH7	Graphite Blue	-HZ		
	991 552 202 11 OK6	saddle brown	-SZ		
	991 552 202 11 7J0	Luxor beige	-UZ,BT		
	991 552 202 11 OG6	Bordeaux red	-LZ,BM		
	991 552 202 11 OL8	Chalk	-BG,TG		
	991 552 202 11 6J0	Espresso	-NE		
	991 552 202 11 7F0	Cognac	-BY		
1	991 552 201 93	Instrument panel trim	lhd	1	PR:098,975, 981
	991 552 201 93 2W0	Lower part Alcantara Black	-GQ,GR,GW,GY		
1	991 552 202 91	Instrument panel trim	rhd	1	PR:099,975, 981
	991 552 202 91 2W0	Lower part Alcantara Black	-GQ,GR,GW,GY		
2	999 507 533 02	Clamp		2	
4	999 073 498 01	fillister hd. bolt M5X20		X	
5	999 507 556 01	panel nut M5		2	
6	999 919 278 01	Hexagon head bolt 6X20		2	
7	991 552 405 02	Trim	left	1	
	991 552 405 02 5Q0	Black	-AG,AJ,AQ,AZ, BT,BM		
	991 552 405 02 OA6	agate grey	-FG,FJ,FQ,FZ		
	991 552 405 02 6W0	Luxor beige	-UG,UJ,UQ,UZ		
	991 552 405 02 OH7	Graphite Blue	-HZ,BG		

Model: 991-16 Model life 2017>>

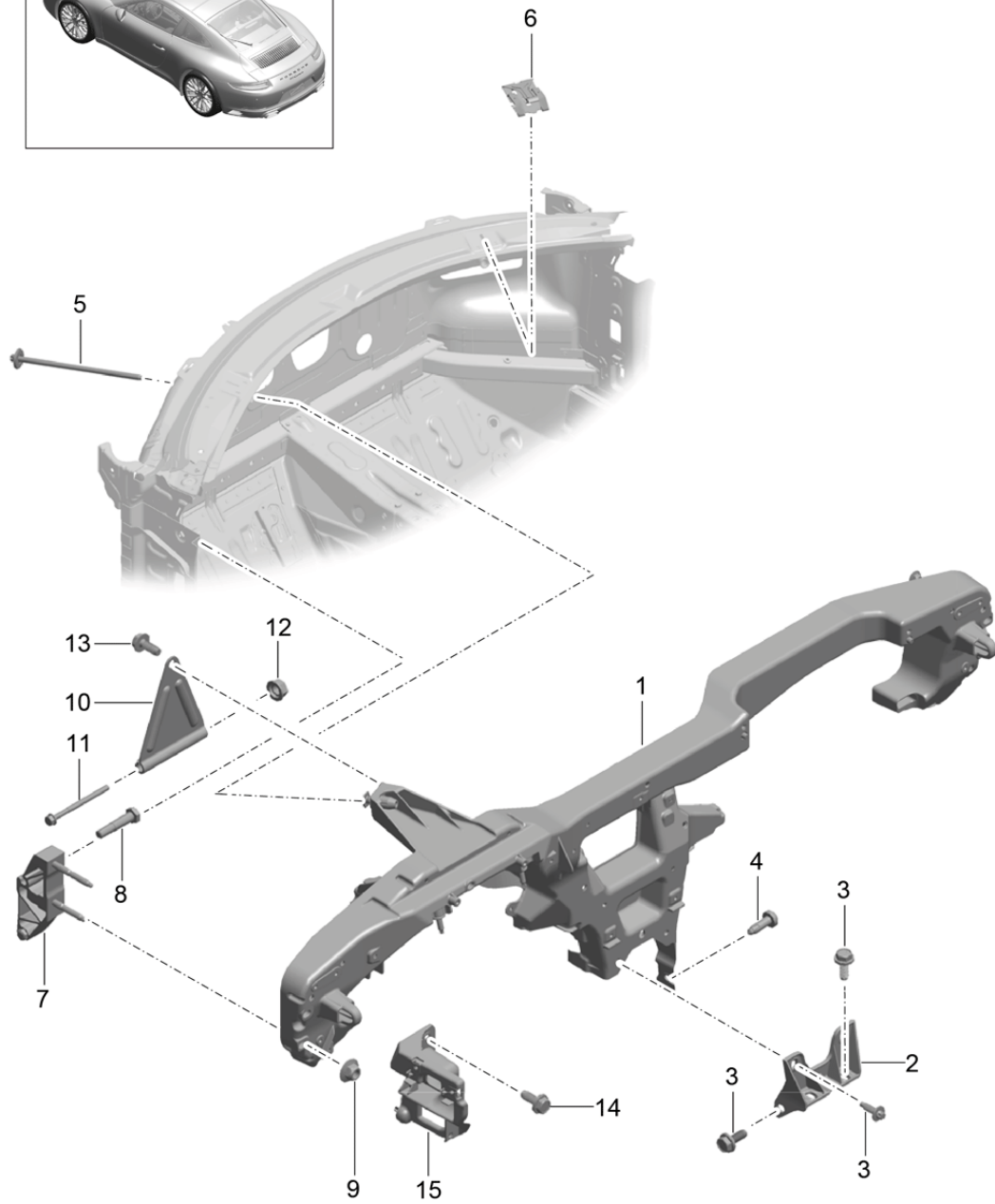
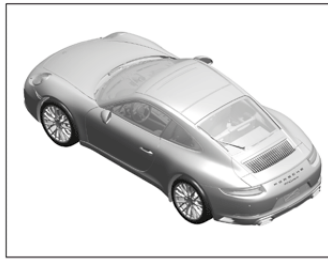
Pos	Part Number	Description	Remark	Qty	Model
(7)	991 552 405 02 OL7	saddle brown	-SZ	1	
	991 552 405 02 OG6	Bordeaux red	-LZ		
	991 552 405 02 3T0	Espresso	-NE, BY		
	991 552 406 02	Trim	right		
	991 552 406 02 5Q0	Black	-AG, AJ, AQ, AZ, BT, BM		
	991 552 406 02 OA6	agate grey	-FG, FJ, FQ, FZ		
	991 552 406 02 6W0	Luxor beige	-UG, UJ, UQ, UZ		
	991 552 406 02 OH7	Graphite Blue	-HZ, BG		
	991 552 406 02 OL7	saddle brown	-SZ		
	991 552 406 02 OG6	Bordeaux red	-LZ		
8	991 552 406 02 3T0	Espresso	-NE, BY	1	PR:098, -981
	991 552 204 16	Glove box (complete)	lhd		
	991 552 204 16 DK4	Black	-AG, AJ, AQ		
(8)	991 552 204 16 OS2	agate grey	-FG, FJ, FQ	1	PR:099, -981
	991 552 204 16 DM5	Luxor beige	-UG, UJ, UQ		
	991 552 203 16	Glove box (complete)	rhd		
(8)	991 552 203 16 DK4	Black	-AG, AJ, AQ	1	PR:098, 981
	991 552 203 16 OS2	agate grey	-FG, FJ, FQ		
	991 552 203 16 DM5	Luxor beige	-UG, UJ, UQ		
(8)	991 552 204 15	Glove box (complete)	lhd	1	PR:099, 981
	991 552 204 15 A11	Leather			
	991 552 204 15 A11	Black	-AZ, TD		
	991 552 204 15 OA1	agate grey	-FZ		
	991 552 204 15 OH7	Graphite Blue	-HZ		
	991 552 204 15 OK6	saddle brown	-SZ		
	991 552 204 15 7J0	Luxor beige	-UZ, BT		
	991 552 204 15 OG6	Bordeaux red	-LZ, BM		
	991 552 204 15 OL8	Chalk	-BG, TG		
	991 552 204 15 6J0	Espresso	-NE		
	991 552 204 15 7F0	Cognac	-BY		
	991 552 203 15	Glove box (complete)	rhd		
	991 552 203 15 A11	Leather			
	991 552 203 15 A11	Black	-AZ, TD		
	991 552 203 15 OA1	agate grey	-FZ		
	991 552 203 15 OH7	Graphite Blue	-HZ		
	991 552 203 15 OK6	saddle brown	-SZ		
991 552 203 15 7J0	Luxor beige	-UZ, BT			
991 552 203 15 OG6	Bordeaux red	-LZ, BM			
991 552 203 15 OL8	Chalk	-BG, TG			
991 552 203 15 6J0	Espresso	-NE			
991 552 203 15 7F0	Cognac	-BY			
8	991 552 204 95	Glove box (complete)	lhd	1	PR:098, 975, 981
	991 552 204 95 2W0	Alcantara			
(8)	991 552 204 95 2W0	Black	-GQ, GR, GW, GY	1	PR:099, 975, 981
	991 552 203 95	Glove box (complete)	rhd		
9	991 552 203 95 2W0	Alcantara		2	
9	996 552 813 00	Pen holder		2	
10	999 507 556 01	panel nut M5		1	
11	999 702 560 40	Grommet		X	
12	999 702 559 40	Grommet		X	
13	999 919 278 01	Hexagon head bolt 6 X 20		2	
14		Wire set		1	
		Glove box			

Model: 991-16 Model life 2017>>

Pos	Part Number	Description	Remark	Qty	Model
16	996 552 915 01	see illustration: Lock cylinders Glove box Vehicle Ident. No. Indicate	902-015	1	
17	9P1 857 115	Dummy cover Switch-off Airbag		1	PR:-899
18	991 552 601 02	Trim Multimedia interface		1	
19	991 552 601 02 1E0	Black Plug socket		1	PR:870,665, 696
20		see illustration: Socket or clamping ring	911-000	1	PR:870
21	991 552 414 00	see illustration: Trim Footwell (passenger side)	903-005	1	PR:098
(21)	991 552 413 00	Trim Footwell (passenger side)		1	PR:099
22	1H0 819 943	round hd. screw Mount Trim Footwell		X	
23	955 552 107 00	Retaining clip		1	
24	999 702 559 40	Grommet		3	
25	991 552 484 00	Damper Glove box		1	PR:098
(25)	991 552 483 00	Damper Glove box		1	PR:099
26	991 552 803 00	Pin Mount Damper		1	

Model: 991-16

Model life 2017>>



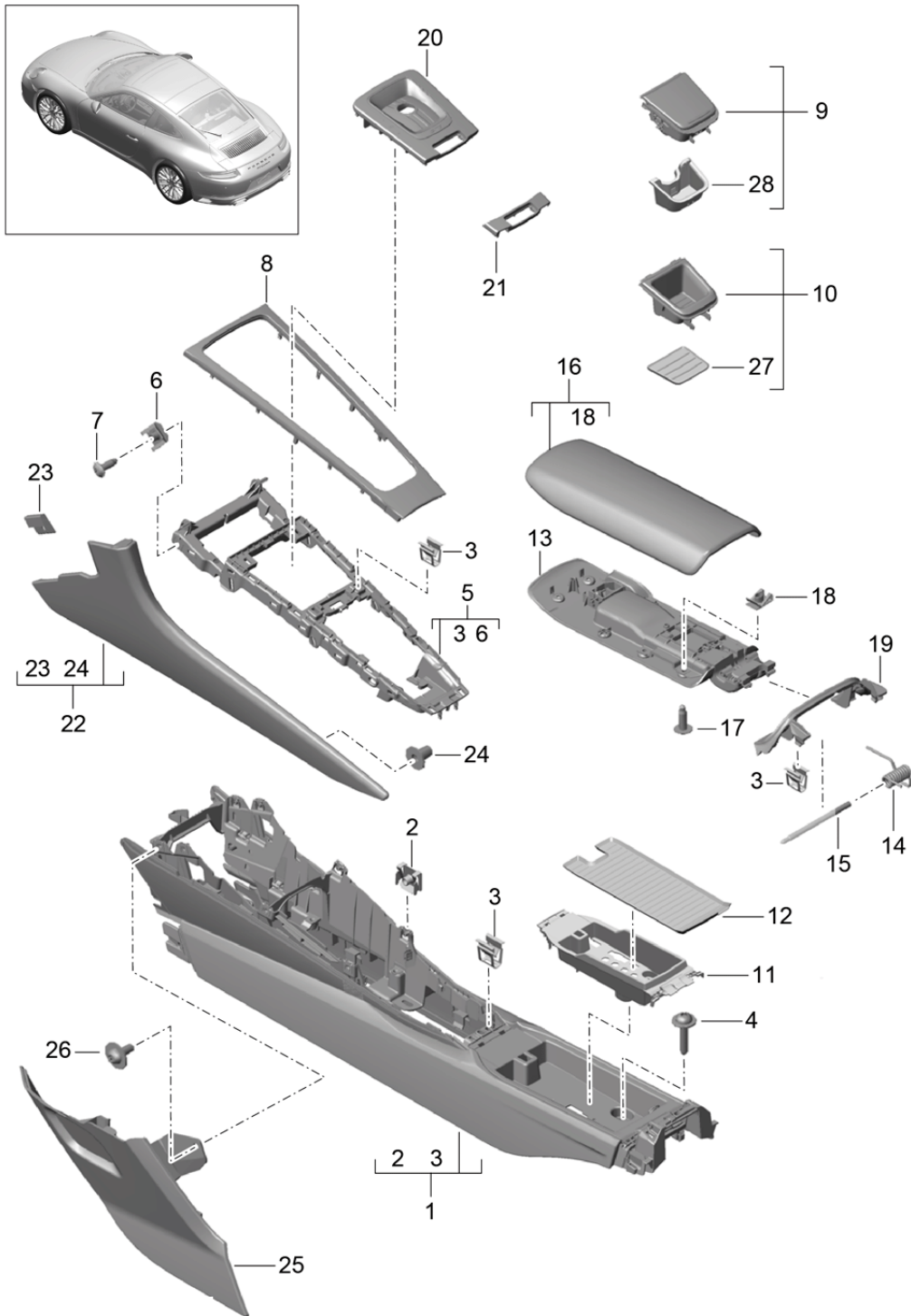
Model: 991-16

Model life 2017>>

Pos	Part Number	Description	Remark	Qty	Model
1	991 504 063 02	retaining frame dashboard		1	
(1)	991 504 063 03	retaining frame	lhd	1	PR:098
2	991 504 615 00	retaining frame	rhd	1	PR:099
		Bracket		1	
		tunnel			
3	999 143 014 01	Hexagon bolt M8X27		5	
4	999 073 138 01	flat round head bolt M8X25		1	
5	999 073 587 01	Bolt with washer M8X195		1	
6	8E0 857 117	Clip dashboard		2	
		Cowl panel			
7	991 504 407 02	Retainer for support frame A-pillar		2	
8	900 919 009 01	Locating bolt M8X45		4	
9	N 907 611 03	Hexagon collar nut self-locking M8		4	
10	991 504 653 01	Support Steering column		1	
11	N 106 366 01	bolt,hex.hd.with shoul.(combi) M8X110X80		1	
12	999 084 630 01	Hexagon nut M8		1	
13	999 143 014 01	Hexagon bolt M8X27		1	
14	999 919 278 01	Hexagon head bolt M6X20		6	
15		Bracket retaining frame		1	
		see illustration:	809-000		

Model: 991-16

Model life 2017>>



Model: 991-16

Model life 2017>>

Pos	Part Number	Description	Remark	Qty	Model
1	9P1 858 186	Centre console Carrier		1	
	9P1 858 186 PT7	Centre console Black	-AG, AJ, AQ, AZ, GF, GG, GQ, GR, GW, GY		
	9P1 858 186 OQ7	agate grey	-FG, FJ, FQ, FZ		
	9P1 858 186 PU8	Luxor beige	-UG, UQ, UZ, BT		UJ,
	9P1 858 186 OH7	Graphite Blue	-HZ		
	9P1 858 186 CH6	saddle brown	-SZ		
	9P1 858 186 OG6	Bordeaux red	-LZ, BM		
	9P1 858 186 OL8	Chalk	-BG		
	9P1 858 186 OP4	Espresso	-NE		
	9P1 858 186 OM2	Cognac	-BY		
2	999 591 145 01	panel nut M 5		8	
3	8T0 853 107	Clip		X	
4	N 105 355 02	Hexagon socket head bolt (combi) M 6 X 30		6	
5	991 553 263 01	Carrier Trim		1	
6	999 507 556 01	panel nut M 5		2	
7	999 073 459 01	fillister hd. bolt M 5 X 16		6	
8	991 553 261 00	Trim for centre console		1	PR: -XHB, -XHG, -XHM, -XYE, -XYG, -809
	991 553 261 00 V08	Galvano silver			
(8)	991 553 261 90	Trim for centre console		1	PR: 809
	991 553 261 90 OR2	Aluminium Black Anodised			
(8)	991 553 981 00	Trim for centre console		1	PR: XYG
	991 553 981 00 041	Black			
	991 553 981 00 84A	guards red (Porsche)			
	991 553 981 00 M3C	Carmine red			
	991 553 981 00 M2A	Lava Orange			
	991 553 981 00 M5C	miami blue			
	991 553 981 00 1S1	Racing Yellow			
	991 553 981 00 C9A	white			
	991 553 981 00 C9X	Jet Black Metallic			
	991 553 981 00 M7S	Achat Grey Metallic			
	991 553 981 00 M5G	Graphite Blue Metallic			
	991 553 981 00 M8Y	Mahogany Metallic			
	991 553 981 00 M5F	Midnight Blue Metallic			
	991 553 981 00 M5J	Sapphire Blue Metallic			
	991 553 981 00 M7Z	GT Silver Metallic			
	991 553 981 00 M7U	Rhodium Silver Metallic			
	991 553 981 00 S9R	Carrara White metallic			
(8)	991 553 981 01	Trim for centre console		1	PR: XHB
	991 553 981 01 A11	Black	-AG, AJ, AQ, AZ, BT, BM		
	991 553 981 01 OA1	agate grey	-FG, FJ, FQ, FZ		
	991 553 981 01 7J0	Luxor beige	-UG, UJ, UQ, UZ		
	991 553 981 01 OH7	Graphite Blue	-HZ, BG		
	991 553 981 01 OK6	saddle brown	-SZ		
	991 553 981 01 OG6	Bordeaux red	-LZ		
	991 553 981 01 6J0	Espresso	-NE, BY		
(8)	991 553 981 02	Trim for centre console		1	PR: XHM
	991 553 981 02 BX3	Carbon			
(8)	991 553 981 03	Trim for centre console		1	PR: XHG



Model: 991-16 Model life 2017>>

Pos	Part Number	Description	Remark	Qty	Model
(8)	991 553 981 03 S65	mahagoni			
	991 553 981 04	Trim for centre console		1	PR:XYE
	991 553 981 04 U03	aluminium			
9	991 553 141 02	ashtray		1	PR:583
	991 553 141 02 DML	Matt Black/hi-gloss chrome			
10	991 553 143 00	Stowage compartment		1	PR:-583
	991 553 143 00 A05	Black			
11	9P1 858 331	Stowage compartment		6	
		Centre console			
	9P1 858 331 1E0	Black			
12	9P1 857 130	Insert		1	PR:9ZK,9ZX
		Stowage compartment			
13	9P1 857 479	Cover for stowage compartment	inner	1	
	9P1 857 479 1E0	Black			
14	9P1 858 989	torsion spring		1	
		Cover			
15	991 553 447 00	axle		1	
		Cover			
16	9P1 857 151	Cover		1	PR:-XLG, -XLJ,-XPT, -XUV
	9P1 857 151 A11	Black	-AG,AJ,AQ,AZ		
	9P1 857 151 OA1	agate grey	-FG,FJ,FQ,FZ		
	9P1 857 151 7J0	Luxor beige	-UG,UJ,UQ,UZ, BT		
	9P1 857 151 OH7	Graphite Blue	-HZ		
	9P1 857 151 OK6	saddle brown	-SZ		
	9P1 857 151 OG6	Bordeaux red	-LZ,BM		
	9P1 857 151 OL8	Chalk	-BG,TG		
	9P1 857 151 JHB	Black/Dark Silver	-TD		
	9P1 857 151 6J0	Espresso	-NE		
	9P1 857 151 7F0	Cognac	-BY		
16	9P1 857 151 B	Cover		1	PR:XPT,-008, -009
		with:			
		Porsche crest			
		and			
		Decorative stitching			
	9P1 857 151 B A11	Black	-AG,AJ,AQ,AZ		
	9P1 857 151 B OA1	agate grey	-FG,FJ,FQ,FZ		
	9P1 857 151 B 7J0	Luxor beige	-UG,UJ,UQ,UZ, BT		
	9P1 857 151 B OH7	Graphite Blue	-HZ		
	9P1 857 151 B OK6	saddle brown	-SZ		
	9P1 857 151 B OG6	Bordeaux red	-LZ,BM		
	9P1 857 151 B OL8	Chalk	-BG		
	9P1 857 151 B 6J0	Espresso	-NE		
	9P1 857 151 B 7F0	Cognac	-BY		
(16)	9P1 857 151 F	Cover		1	PR:098,XUV, 008,-009
		with:			
		inscription			
		Carrera			
		and			
		Decorative stitching			
	9P1 857 151 F A11	Black	-AG,AJ,AQ,AZ		
	9P1 857 151 F OA1	agate grey	-FG,FJ,FQ,FZ		
	9P1 857 151 F 7J0	Luxor beige	-UG,UJ,UQ,UZ, BT		
	9P1 857 151 F OH7	Graphite Blue	-HZ		
	9P1 857 151 F OK6	saddle brown	-SZ		
	9P1 857 151 F OG6	Bordeaux red	-LZ,BM		
	9P1 857 151 F OL8	Chalk	-BG		
	9P1 857 151 F 6J0	Espresso	-NE		
	9P1 857 151 F 7F0	Cognac	-BY		

Model: 991-16 Model life 2017>>

Pos	Part Number	Description	Remark	Qty	Model
(16)	9P1 857 151 G	Cover with: inscription Carrera and Decorative stitching		1	PR:099,XUV, 008,-009
	9P1 857 151 G A11	Black	-AG,AJ,AQ,AZ		
	9P1 857 151 G OA1	agate grey	-FG,FJ,FQ,FZ		
	9P1 857 151 G 7J0	Luxor beige	-UG,UJ,UQ,UZ, BT		
	9P1 857 151 G OH7	Graphite Blue	-HZ		
	9P1 857 151 G OK6	saddle brown	-SZ		
	9P1 857 151 G OG6	Bordeaux red	-LZ,BM		
	9P1 857 151 G OL8	Chalk	-BG		
	9P1 857 151 G 6J0	Espresso	-NE		
	9P1 857 151 G 7F0	Cognac	-BY		
(16)	9P1 857 151 H	Cover with: inscription Carrera S and Decorative stitching		1	PR:098,XUV, 009,-008
	9P1 857 151 H A11	Black	-AG,AJ,AQ,AZ		
	9P1 857 151 H OA1	agate grey	-FG,FJ,FQ,FZ		
	9P1 857 151 H 7J0	Luxor beige	-UG,UJ,UQ,UZ, BT		
	9P1 857 151 H OH7	Graphite Blue	-HZ		
	9P1 857 151 H OK6	saddle brown	-SZ		
	9P1 857 151 H OG6	Bordeaux red	-LZ,BM		
	9P1 857 151 H OL8	Chalk	-BG		
	9P1 857 151 H 6J0	Espresso	-NE		
	9P1 857 151 H 7F0	Cognac	-BY		
(16)	9P1 857 151 J	Cover with: inscription Carrera S and Decorative stitching		1	PR:099,XUV, 009,-008
	9P1 857 151 J A11	Black	-AG,AJ,AQ,AZ		
	9P1 857 151 J OA1	agate grey	-FG,FJ,FQ,FZ		
	9P1 857 151 J 7J0	Luxor beige	-UG,UJ,UQ,UZ, BT		
	9P1 857 151 J OH7	Graphite Blue	-HZ		
	9P1 857 151 J OK6	saddle brown	-SZ		
	9P1 857 151 J OG6	Bordeaux red	-LZ,BM		
	9P1 857 151 J OL8	Chalk	-BG		
	9P1 857 151 J 6J0	Espresso	-NE		
	9P1 857 151 J 7F0	Cognac	-BY		
(16)	9P1 857 151 M	Cover with: inscription Carrera 4 and Decorative stitching		1	PR:098,XUV, 008
	9P1 857 151 M A11	Black	-AG,AJ,AQ,AZ		
	9P1 857 151 M OA1	agate grey	-FG,FJ,FQ,FZ		
	9P1 857 151 M 7J0	Luxor beige	-UG,UJ,UQ,UZ, BT		
	9P1 857 151 M OH7	Graphite Blue	-HZ		
	9P1 857 151 M OK6	saddle brown	-SZ		
	9P1 857 151 M OG6	Bordeaux red	-LZ,BM		

Model: 991-16

Model life 2017>>

Pos	Part Number	Description	Remark	Qty	Model	
(16)	9P1 857 151 M OL8	Chalk	-BG	1	PR:099,XUV, 008	
	9P1 857 151 M 6J0	Espresso	-NE			
	9P1 857 151 M 7F0	Cognac	-BY,TD			
	9P1 857 151 N	Cover				
		with:				
		inscription				
		Carrera 4				
		and				
		Decorative stitching				
		Black	-AG,AJ,AQ,AZ			
	9P1 857 151 N A11	agate grey	-FG,FJ,FQ,FZ			
	9P1 857 151 N OA1	Luxor beige	-UG,UJ,UQ,UZ, BT			
	9P1 857 151 N 7J0					
	9P1 857 151 N OH7	Graphite Blue	-HZ			
	9P1 857 151 N OK6	saddle brown	-SZ			
	9P1 857 151 N OG6	Bordeaux red	-LZ,BM			
	9P1 857 151 N OL8	Chalk	-BG			
	9P1 857 151 N 6J0	Espresso	-NE			
	9P1 857 151 N 7F0	Cognac	-BY,TD			
(16)	9P1 857 151 P	Cover		1	PR:098,XUV, 009	
		with:				
		inscription				
		Carrera 4s				
		and				
		Decorative stitching				
		Black	-AG,AJ,AQ,AZ			
		9P1 857 151 P A11	agate grey			-FG,FJ,FQ,FZ
		9P1 857 151 P OA1	Luxor beige			-UG,UJ,UQ,UZ, BT
		9P1 857 151 P 7J0				
	9P1 857 151 P OH7	Graphite Blue	-HZ			
	9P1 857 151 P OK6	saddle brown	-SZ			
	9P1 857 151 P OG6	Bordeaux red	-LZ,BM			
	9P1 857 151 P OL8	Chalk	-BG			
	9P1 857 151 P 6J0	Espresso	-NE			
	9P1 857 151 P 7F0	Cognac	-BY,TD			
(16)	9P1 857 151 Q	Cover		1	PR:099,XUV, 009	
		with:				
		inscription				
		Carrera 4s				
		and				
		Decorative stitching				
		Black	-AG,AJ,AQ,AZ			
		9P1 857 151 Q A11	agate grey			-FG,FJ,FQ,FZ
		9P1 857 151 Q OA1	Luxor beige			-UG,UJ,UQ,UZ, BT
		9P1 857 151 Q 7J0				
	9P1 857 151 Q OH7	Graphite Blue	-HZ			
	9P1 857 151 Q OK6	saddle brown	-SZ			
	9P1 857 151 Q OG6	Bordeaux red	-LZ,BM			
	9P1 857 151 Q OL8	Chalk	-BG			
	9P1 857 151 Q 6J0	Espresso	-NE			
	9P1 857 151 Q 7F0	Cognac	-BY,TD			
(16)	9P1 857 151 R	Cover		1	PR:098,XUV, 008	
		with:				
		inscription				
		Targa 4				
		and				
		Decorative stitching				
		Black	-AG,AJ,AQ,AZ			
		9P1 857 151 R A11	agate grey			-FG,FJ,FQ,FZ
		9P1 857 151 R OA1	Luxor beige			-UG,UJ,UQ,UZ, BT
		9P1 857 151 R 7J0				
	9P1 857 151 R OH7	Graphite Blue	-HZ			
	9P1 857 151 R OK6	saddle brown	-SZ			

Model: 991-16

Model life 2017>>

Pos	Part Number	Description	Remark	Qty	Model	
(16)	9P1 857 151 R OG6	Bordeaux red	-LZ, BM	1	PR:099, XUV, 008	
	9P1 857 151 R OL8	Chalk	-BG, TG			
	9P1 857 151 R 6J0	Espresso	-NE			
	9P1 857 151 R 7F0	Cognac	-BY, TD			
	9P1 857 151 S	Cover				
		with:				
		inscription				
		Targa 4				
		and				
		Decorative stitching				
	9P1 857 151 S A11	Black	-AG, AJ, AQ, AZ			
	9P1 857 151 S OA1	agate grey	-FG, FJ, FQ, FZ			
	9P1 857 151 S 7J0	Luxor beige	-UG, UJ, UQ, UZ, BT			
	9P1 857 151 S OH7	Graphite Blue	-HZ			
	9P1 857 151 S OK6	saddle brown	-SZ			
	9P1 857 151 S OG6	Bordeaux red	-LZ, BM			
	9P1 857 151 S OL8	Chalk	-BG, TG			
	9P1 857 151 S 6J0	Espresso	-NE			
	9P1 857 151 S 7F0	Cognac	-BY, TD			
(16)	9P1 857 151 T	Cover		1	PR:098, XUV, 009	
		with:				
		inscription				
		Targa 4S				
		and				
		Decorative stitching				
		9P1 857 151 T A11	Black			-AG, AJ, AQ, AZ
		9P1 857 151 T OA1	agate grey			-FG, FJ, FQ, FZ
		9P1 857 151 T 7J0	Luxor beige			-UG, UJ, UQ, UZ, BT
		9P1 857 151 T OH7	Graphite Blue			-HZ
	9P1 857 151 T OK6	saddle brown	-SZ			
	9P1 857 151 T OG6	Bordeaux red	-LZ, BM			
	9P1 857 151 T OL8	Chalk	-BG, TG			
	9P1 857 151 T 6J0	Espresso	-NE			
	9P1 857 151 T 7F0	Cognac	-BY, TD			
(16)	9P1 857 151 AA	Cover		1	PR:099, XUV, 009	
		with:				
		inscription				
		Targa 4S				
		and				
		Decorative stitching				
		9P1 857 151 AA A11	Black			-AG, AJ, AQ, AZ
		9P1 857 151 AA OA1	agate grey			-FG, FJ, FQ, FZ
		9P1 857 151 AA 7J0	Luxor beige			-UG, UJ, UQ, UZ, BT
		9P1 857 151 AA OH7	Graphite Blue			-HZ
	9P1 857 151 AA OK6	saddle brown	-SZ			
	9P1 857 151 AA OG6	Bordeaux red	-LZ, BM			
	9P1 857 151 AA OL8	Chalk	-BG, TG			
	9P1 857 151 AA 6J0	Espresso	-NE			
	9P1 857 151 AA 7F0	Cognac	-BY			
(16)	9P1 857 151 K	Cover		1	PR:098, XUV, 011	
		with:				
		inscription				
		GTS				
		9P1 857 151 K A11	Black			-AJ, AZ
		9P1 857 151 K OA1	agate grey			-FZ
		9P1 857 151 K 7J0	Luxor beige			-UZ, BT
		9P1 857 151 K OH7	Graphite Blue			-HZ
		9P1 857 151 K OK6	saddle brown			-SZ
		9P1 857 151 K OG6	Bordeaux red			-LZ, BM
	9P1 857 151 K OL8	Chalk	-BG, TG			

Model: 991-16

Model life 2017>>

Pos	Part Number	Description	Remark	Qty	Model
(16)	9P1 857 151 K 6J0	Espresso	-NE	1	PR:099,XUV, 011
	9P1 857 151 K 7F0	Cognac	-BY		
	9P1 857 151 K JHB	Black/Dark Silver	-TD		
	9P1 857 151 L	Cover			
		with:			
		inscription			
		GTS			
	9P1 857 151 L A11	Black	-AJ,AZ		
	9P1 857 151 L OA1	agate grey	-FZ		
	9P1 857 151 L 7J0	Luxor beige	-UZ,BT		
9P1 857 151 L OH7	Graphite Blue	-HZ			
9P1 857 151 L OK6	saddle brown	-SZ			
9P1 857 151 L OG6	Bordeaux red	-LZ,BM			
9P1 857 151 L OL8	Chalk	-BG,TG			
9P1 857 151 L 6J0	Espresso	-NE			
9P1 857 151 L 7F0	Cognac	-BY			
9P1 857 151 L JHB	Black/Dark Silver	-TD			
(16)	9P1 857 151 A	Cover		1	PR:975
		Alcantara			
	9P1 857 151 A DSP	Black	-GF,GG,GW,GY		
	9P1 857 151 A DSN	Black/Carmine Red	-GQ		
(16)	9P1 857 151 A DJS	Black/Rhodium Silver	-GR	1	PR:XLJ
		Cover			
		with:			
		Porsche crest			
		Alcantara			
		see illustration:	809-015		
(16)		Tequipment catalogue		1	PR:XLG
		Cover			
		with:			
		inscription			
		Porsche			
		Alcantara			
		see illustration:	809-015		
(16)	9P1 857 151 B	Tequipment catalogue		1	PR:XPT
		Cover			
		with:			
		Porsche crest			
		and			
		Decorative stitching			
	9P1 857 151 B A11	Black	-AG,AJ,AQ,AZ		
	9P1 857 151 B OA1	agate grey	-FG,FJ,FQ,FZ		
	9P1 857 151 B 7J0	Luxor beige	-UG,UJ,UQ,BT		
					+UZ,
	9P1 857 151 B OG6	Bordeaux red	-LZ,BM		
	9P1 857 151 B OL8	Chalk	-BG,TG		
	9P1 857 151 B OK6	saddle brown	-SZ		
	9P1 857 151 B OH7	Graphite Blue	-HZ		
	9P1 857 151 B 6J0	Espresso	-NE		
	9P1 857 151 B 7F0	Cognac	-BY		
	9P1 857 151 B JHB	Black/Dark Silver	-TD		
17	999 073 459 01	fillister hd. bolt		8	
		M5 X 16			
18	999 507 274 02	panel nut		8	
		M 5			
19	991 553 253 00	Cover panel	rear	1	
		Centre console			
	991 553 253 00 1E0	Black			
20	9P1 858 401	Cover		1	Carrera PR:250
		- PDK -			
	9P1 858 401 DRZ	Black/Galvano Silver			
21	991 553 651 01	trim with inscription		1	PR:487
	991 553 651 01 A05	Matt black			

Model: 991-16 Model life 2017>>

Pos	Part Number	Description	Remark	Qty	Model
22	991 553 131 02	Trim for centre console slush technology	left	1	PR:-981
	991 553 131 02 DK4	Black	-AG,AJ,AQ		
	991 553 131 02 OU4	agate grey	-FG,FJ,FQ		
	991 553 131 02 DM5	Luxor beige	-UG,UJ,UQ		
(22)	991 553 132 02	Trim for centre console slush technology	right	1	PR:-981
	991 553 132 02 DK4	Black	-AG,AJ,AQ		
	991 553 132 02 OU4	agate grey	-FG,FJ,FQ		
	991 553 132 02 DM5	Luxor beige	-UG,UJ,UQ		
(22)	991 553 131 03	Leather panel Centre console	left	1	PR:981
	991 553 131 03 A11	Black	-AZ,BT,BM		
	991 553 131 03 OA1	agate grey	-FZ		
	991 553 131 03 OH7	Graphite Blue	-HZ,BG		
	991 553 131 03 OK6	saddle brown	-SZ		
	991 553 131 03 7J0	Luxor beige	-UZ		
	991 553 131 03 OG6	Bordeaux red	-LZ		
	991 553 131 03 6J0	Espresso	-NE,BY		
(22)	991 553 132 03	Leather panel Centre console	right	1	PR:981
	991 553 132 03 A11	Black	-AZ,BT,BM		
	991 553 132 03 OA1	agate grey	-FZ		
	991 553 132 03 OH7	Graphite Blue	-HZ,BG		
	991 553 132 03 OK6	saddle brown	-SZ		
	991 553 132 03 7J0	Luxor beige	-UZ		
	991 553 132 03 OG6	Bordeaux red	-LZ		
	991 553 132 03 6J0	Espresso	-NE,BY		
23	991 553 823 00	Rubber ply		2	
24	999 702 299 40	Grommet 6,5 X 8,5 X 1,0		2	
25	991 553 151 04	Cover panel Footwell outlet vent	left	1	PR:098
	991 553 151 04 1E0	Black	-AG,AJ,AQ,AZ		
	991 553 151 04 OP1	agate grey	-FG,FJ,FQ,FZ		
	991 553 151 04 4H0	Luxor beige	-UG,UJ,UQ,UZ, BT		
	991 553 151 04 OH7	Graphite Blue	-HZ		
	991 553 151 04 OM8	saddle brown	-SZ		
	991 553 151 04 OG6	Bordeaux red	-LZ,BM		
	991 553 151 04 OL8	Chalk	-BG		
	991 553 151 04 7N0	Espresso	-NE		
	991 553 151 04 8P0	Cognac	-BY		
(25)	991 553 152 05	Cover panel Footwell outlet vent	right	1	PR:098
	991 553 152 05 1E0	Black	-AG,AJ,AQ,AZ		
	991 553 152 05 OP1	agate grey	-FG,FJ,FQ,FZ		
	991 553 152 05 4H0	Luxor beige	-UG,UJ,UQ,UZ, BT		
	991 553 152 05 OH7	Graphite Blue	-HZ		
	991 553 152 05 OM8	saddle brown	-SZ		
	991 553 152 05 OG6	Bordeaux red	-LZ,BM		
	991 553 152 05 OL8	Chalk	-BG		
	991 553 152 05 7N0	Espresso	-NE		
	991 553 152 05 8P0	Cognac	-BY		
(25)	991 553 151 05	Cover panel Footwell outlet vent	left	1	PR:099
	991 553 151 05 1E0	Black	-AG,AJ,AQ,AZ		
	991 553 151 05 OP1	agate grey	-FG,FJ,FQ,FZ		
	991 553 151 05 4H0	Luxor beige	-UG,UJ,UQ,UZ, BT		
	991 553 151 05 OH7	Graphite Blue	-HZ		
	991 553 151 05 OM8	saddle brown	-SZ		

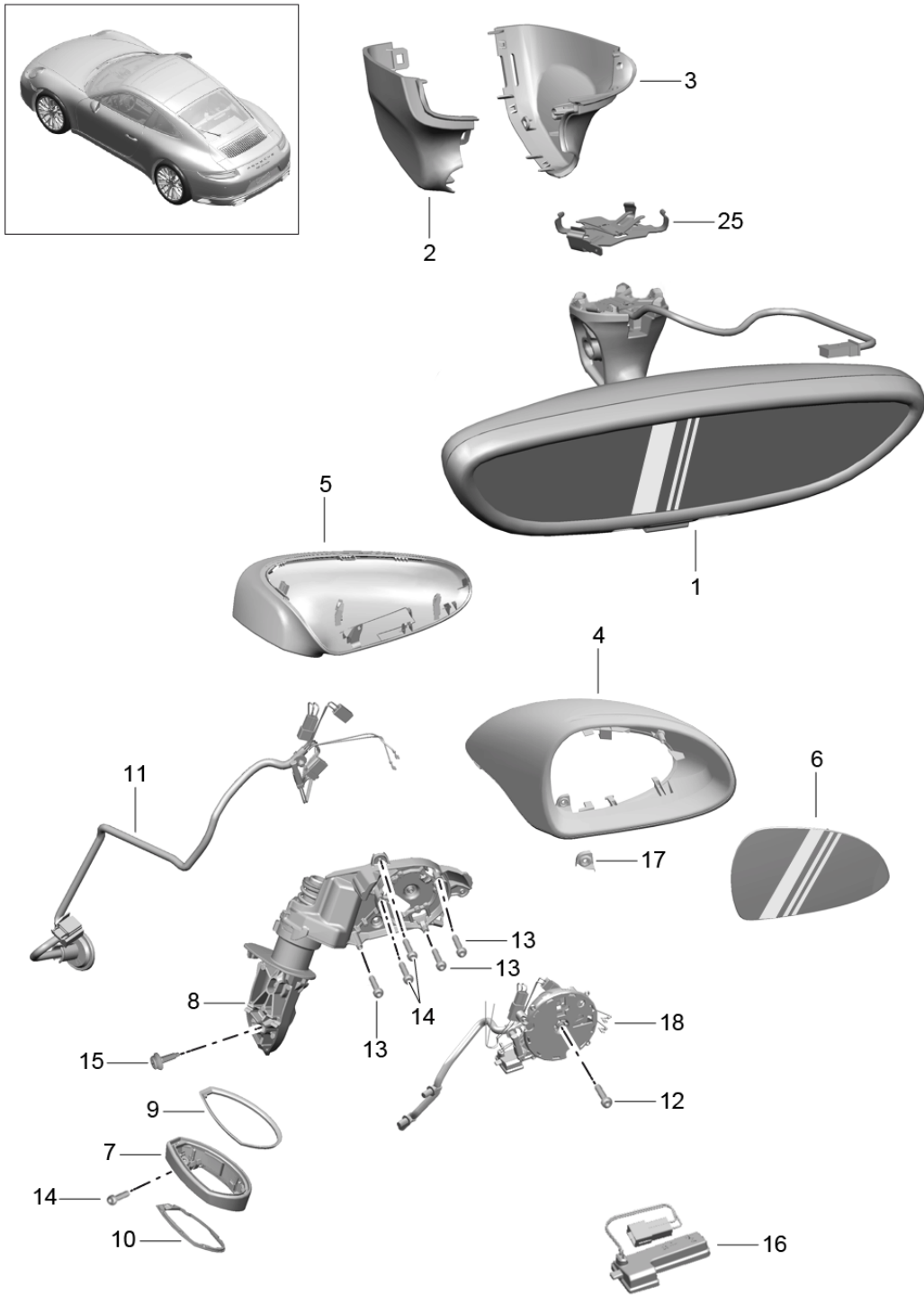
Model: 991-16

Model life 2017>>

Pos	Part Number	Description	Remark	Qty	Model
(25)	991 553 151 05 OG6	Bordeaux red	-LZ, BM	1	PR:099
	991 553 151 05 OL8	Chalk	-BG		
	991 553 151 05 7N0	Espresso	-NE		
	991 553 151 05 8P0	Cognac	-BY		
	991 553 152 04	Cover panel	right		
		Footwell outlet vent			
	991 553 152 04 1E0	Black	-AG, AJ, AQ, AZ		
	991 553 152 04 OP1	agate grey	-FG, FJ, FQ, FZ		
	991 553 152 04 4H0	Luxor beige	-UG, UJ, UQ, UZ, BT		
	991 553 152 04 OH7	Graphite Blue	-HZ		
	991 553 152 04 OM8	saddle brown	-SZ		
	991 553 152 04 OG6	Bordeaux red	-LZ, BM		
	991 553 152 04 OL8	Chalk	-BG		
	991 553 152 04 7N0	Espresso	-NE		
	991 553 152 04 8P0	Cognac	-BY		
26	999 073 295 A2	fillister hd. bolt M 5 X 12		2	
27	991 553 625 00	Insert Stowage compartment		1	PR:-583
28	991 553 341 01	Ashtray insert		1	PR:583
	991 553 341 01 1E0	Black			

Model: 991-16

Model life 2017>>





Model: 991-16 Model life 2017>>

Pos	Part Number	Description	Remark	Qty	Model
		Interior mirror			PR:528
		Exterior mirror			
1	991 731 511 03	Interior mirror		1	PR:275
	991 731 511 03 4PK	Satin black			
(1)	991 731 511 04	Interior mirror		1	PR:276
	991 731 511 04 4PK	Satin black			
2	991 731 811 01	Cover	left	1	
		Interior mirror			
		Mirror base			
	991 731 811 01 1E0	Black			
3	991 731 812 01	Cover	right	1	
		Interior mirror			
		Mirror base			
	991 731 812 01 1E0	Black			
4	991 731 619 00	Exterior mirror housing	left lhd	1	PR:098,528
	991 731 619 00 G2L	primed			
(4)	991 731 620 00	Exterior mirror housing	right lhd	1	PR:098,528
	991 731 620 00 G2L	primed			
(4)	991 731 619 01	Exterior mirror housing	left rhd	1	PR:099,528
	991 731 619 01 G2L	primed			
(4)	991 731 620 01	Exterior mirror housing	right rhd	1	PR:099,528
	991 731 620 01 G2L	primed			
5	991 731 719 04	Trim	left lower	1	PR:258,259,260,261
	991 731 719 04 1E0	Black			
5	991 731 719 06	Trim	left lower	1	PR:258,259,260,261
	991 731 719 06 G2X	primed			
(5)	991 731 720 04	Trim	right lower	1	PR:258,259,260,261
	991 731 720 04 1E0	Black			
(5)	991 731 720 06	Trim	right lower	1	PR:258,259,260,261
	991 731 720 06 G2X	primed			
(5)	991 731 719 05	Trim	left lower	1	PR:254,255,256,257
	991 731 719 05 1E0	Black			
(5)	991 731 719 07	Trim	left lower	1	PR:254,255,256,257
	991 731 719 07 G2X	primed			
(5)	991 731 720 05	Trim	right lower	1	PR:254,255,256,257
	991 731 720 05 1E0	Black			
(5)	991 731 720 07	Trim	right lower	1	PR:254,255,256,257
	991 731 720 07 G2X	primed			
6	991 731 035 04	Mirror glass (flat)	left lhd	1	PR:256,257,260,261,263,098
(6)	991 731 035 05	Mirror (aspherical) Aspherical	left lhd	1	PR:256,257,260,261,265,098
(6)	991 731 035 06	Mirror glass (flat)	left lhd	1	PR:254,255,258,259,263,098
(6)	991 731 035 07	Mirror (aspherical) Aspherical	left lhd	1	PR:254,255,258,259,265,098
(6)	991 731 036 02	Mirror (aspherical) Aspherical	right rhd	1	PR:256,257,260,261,285,099
(6)	991 731 036 03	Mirror (aspherical) Aspherical	right rhd	1	PR:254,255,258,259,285,

Model: 991-16 Model life 2017>>

Pos	Part Number	Description	Remark	Qty	Model
(6)	991 731 037 02	Mirror glass (convex)	left rhd	1	099 PR:256,257, 260,261,264, 099
(6)	991 731 037 03	Mirror glass (convex)	left rhd	1	PR:254,255, 258,259,264, 099
(6)	991 731 038 06	Mirror glass (convex)	right lhd	1	PR:256,257, 260,261,284, 098
(6)	991 731 038 08	Mirror glass (convex)	right lhd	1	PR:256,257, 260,261,284, 215,098
(6)	991 731 038 09	Mirror glass (convex)	right lhd	1	PR:254,255, 258,259,284, 098
(6)	991 731 038 11	Mirror glass (convex)	right lhd	1	PR:215,254, 255,258,259, 284,098
7	991 731 819 02	Cover Mirror base	left	1	
7	991 731 819 02 1E0 991 731 819 02	Black Cover Mirror base	left	1	
(7)	991 731 819 02 G2X 991 731 820 02	primed Cover Mirror base	right	1	
(7)	991 731 820 02 1E0 991 731 820 02	Black Cover Mirror base	right	1	
8	991 731 820 02 G2X 991 731 219 08	primed Mirror base Manually adjustable	left lhd	1	PR:098,254, 255,256,257, 528
(8)	991 731 220 08	Mirror base Manually adjustable	right lhd	1	PR:098,254, 255,256,257, 528
(8)	991 731 219 09	Mirror base Manually adjustable	left rhd	1	PR:099,254, 255,256,257, 528
(8)	991 731 220 09	Mirror base Manually adjustable	right rhd	1	PR:099,254, 255,256,257, 528
(8)	991 731 219 10	Mirror base Electrically adjustable	left lhd	1	PR:098,258, 259,260,261, 528
(8)	991 731 220 10	Mirror base Electrically adjustable	right lhd	1	PR:098,258, 259,260,261, 528
(8)	991 731 219 11	Mirror base Electrically adjustable	left rhd	1	PR:099,258, 259,260,261, 528
(8)	991 731 220 11	Mirror base Electrically adjustable	right rhd	1	PR:099,258, 259,260,261, 528
9	991 731 821 02	gasket for housing Mirror base	left	1	PR:528
(9)	991 731 822 02	gasket for housing Mirror base	right	1	PR:528
10	991 731 823 02	Seal	left lower	1	PR:528
(10)	991 731 824 02	Seal	right lower	1	PR:528

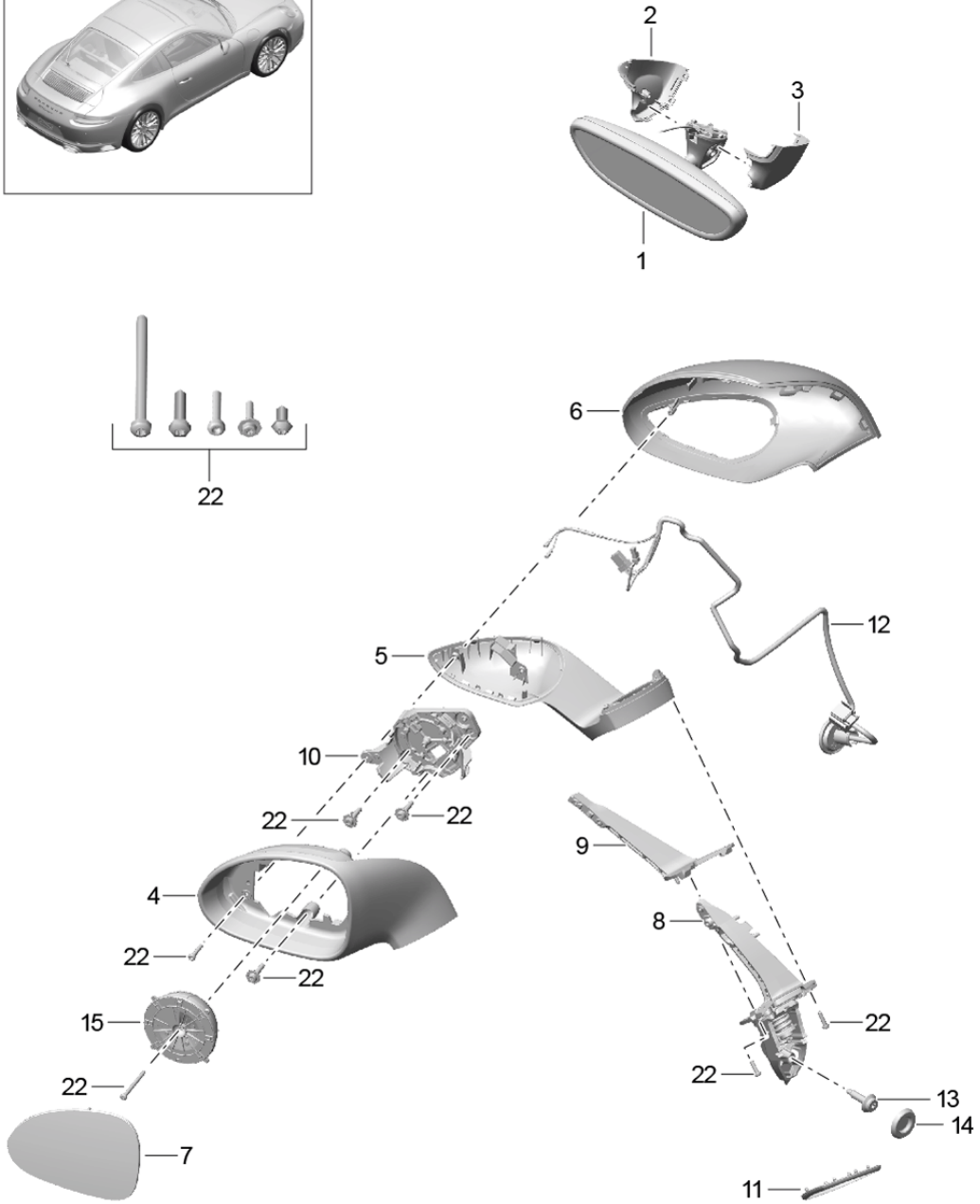
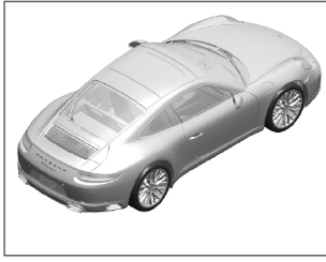
Model: 991-16

Model life 2017&gt;&gt;

Pos	Part Number	Description	Remark	Qty	Model
11	991 612 711 01	Wire set Exterior mirror		1	PR:254,528
(11)	991 612 712 02	Wire set Exterior mirror		1	PR:255,528
(11)	991 612 713 01	Wire set Exterior mirror		1	PR:256,528
(11)	991 612 714 02	Wire set Exterior mirror		1	PR:257,528
(11)	991 612 715 01	Wire set Exterior mirror		1	PR:258,528
(11)	991 612 716 02	Wire set Exterior mirror		1	PR:259,528
(11)	991 612 717 01	Wire set Exterior mirror		1	PR:260,528
(11)	991 612 718 02	Wire set Exterior mirror		1	PR:261,528
12	999 919 301 01	fillister hd. bolt M 3X38		1	
13	999 141 043 02	fillister hd. bolt M 3X14		4	
14	999 919 234 09	fillister hd. bolt 3,0X12,0		3	
15	999 073 192 01	Socket head bolt M8X33		1	
16		Light Exterior mirror see 9/04/03	left lhd	1	PR:258,259, 260,261,528, 098
(16)		Light Exterior mirror see 9/03/04	right lhd	1	PR:258,259, 260,261,528, 098
17	991 731 879 00	Cover Screw	left lhd	1	PR:098,528
(17)	991 731 879 00 1E0 991 731 879 01	Black Cover Screw	left rhd	1	PR:099,528
(17)	991 731 879 01 1E0 991 731 880 00	Black Cover Screw	right lhd	1	PR:098,528
(17)	991 731 880 00 1E0 991 731 880 01	Black Cover Screw	right rhd	1	PR:099,528
18	7PP 959 578 D	Adjusting motor		2	PR:-537,-538
(18)	7PP 959 578 E	Adjusting motor		2	PR:537,538
25	7PP 857 959	Spring clip Interior mirror		1	

Model: 991-16

Model life 2017>>



Model: 991-16 Model life 2017>>

Pos	Part Number	Description	Remark	Qty	Model
		Interior mirror			PR:529
		Exterior mirror			
		Sport Design package			
1	991 731 511 01	Interior mirror		1	PR:275
	991 731 511 01 1E0	Black			
(1)	991 731 511 02	Interior mirror		1	PR:276
	991 731 511 02 1E0	Black			
2	991 731 811 01	Cover	left	1	
		Interior mirror			
		Mirror base			
	991 731 811 01 1E0	Black			
3	991 731 812 01	Cover	right	1	
		Interior mirror			
		Mirror base			
	991 731 812 01 1E0	Black			
4	991 731 631 00	housing	left lhd	1	PR:098,254, 255,256,257, 529
		Frame			
	991 731 631 00 G2L	primed			
(4)	991 731 632 00	housing	right lhd	1	PR:098,254, 255,256,257, 529
		Frame			
	991 731 632 00 G2L	primed			
(4)	991 731 631 01	housing	left rhd	1	PR:099,254, 255,256,257, 529
		Frame			
	991 731 631 01 G2L	primed			
(4)	991 731 632 01	housing	right rhd	1	PR:099,254, 255,256,257, 529
		Frame			
	991 731 632 01 G2L	primed			
5	991 731 729 00	Trim	left	1	PR:254,255, 256,257,529
	991 731 729 00 G2L	primed			
(5)	991 731 730 00	Trim	right	1	PR:254,255, 256,257,529
	991 731 730 00 G2L	primed			
6	991 731 629 00	Housing upper part	left lhd	1	PR:098,254, 255,256,257, 529
		Exterior mirror			
	991 731 629 00 G2L	primed			
(6)	991 731 630 00	Housing upper part	right lhd	1	PR:098,254, 255,256,257, 529
		Exterior mirror			
	991 731 630 00 G2L	primed			
(6)	991 731 629 01	Housing upper part	left rhd	1	PR:099,254, 255,256,257, 529
		Exterior mirror			
	991 731 629 01 G2L	primed			
(6)	991 731 630 01	Housing upper part	right rhd	1	PR:099,254, 255,256,257, 529
		Exterior mirror			
	991 731 630 01 G2L	primed			
(6)	991 731 629 06	Housing upper part	left	1	PR:098,XJW, 789
		Exterior mirror			
	991 731 629 06 A3G	Carbon Gloss Black			
(6)	991 731 630 06	Housing upper part	right	1	PR:098,XJW, 789
		Exterior mirror			
	991 731 630 06 A3G	Carbon Gloss Black			
(6)	991 731 629 07	Housing upper part	left	1	PR:099,XJW, 789
		Exterior mirror			
	991 731 629 07 A3G	Carbon Gloss Black			
(6)	991 731 630 07	Housing upper part	right	1	PR:099,XJW,

Model: 991-16 Model life 2017>>

Pos	Part Number	Description	Remark	Qty	Model
		Exterior mirror			789
7	991 731 630 07 A3G 991 731 045 00	Carbon Gloss Black Mirror glass (flat)	left lhd	1	PR:254,255, 263,098
(7)	991 731 045 01	Mirror (aspherical) Aspherical	left lhd	1	PR:254,255, 265,098
(7)	991 731 045 02	Mirror glass (flat)	left lhd	1	PR:256,257, 263,098
(7)	991 731 045 03	Mirror (aspherical) Aspherical	left lhd	1	PR:256,257, 265,098
(7)	991 731 046 00	Mirror (aspherical) Aspherical	right rhd	1	PR:254,255, 285,099
(7)	991 731 046 01	Mirror (aspherical) Aspherical	right rhd	1	PR:256,257, 285,099
(7)	991 731 047 00	Mirror glass (convex)	left rhd	1	PR:254,255, 264,099
(7)	991 731 047 01	Mirror glass (convex)	left rhd	1	PR:256,257, 264,099
(7)	991 731 048 00	Mirror glass (convex)	right lhd	1	PR:254,255, 284,098
(7)	991 731 048 02	Mirror glass (convex)	right lhd	1	PR:215,254, 284,255,098
(7)	991 731 048 03	Mirror glass (convex)	right lhd	1	PR:256,257, 284,098
(7)	991 731 048 05	Mirror glass (convex)	right lhd	1	PR:215,256, 257,284,098
8	991 731 229 00	Mirror base Manually adjustable	left lhd	1	PR:098,529
(8)	991 731 230 00	Mirror base Manually adjustable	right lhd	1	PR:098,529
(8)	991 731 229 01	Mirror base Manually adjustable	left rhd	1	PR:099,529
(8)	991 731 230 01	Mirror base Manually adjustable	right rhd	1	PR:099,529
9	991 731 221 00	Carrier	left lhd	1	PR:098,529
(9)	991 731 222 00	Carrier	lower right lhd	1	PR:098,529
(9)	991 731 221 01	Carrier	left rhd	1	PR:099,529
(9)	991 731 222 01	Carrier	lower right rhd	1	PR:099,529
10	991 731 519 00	plate Reinforcement	left lhd	1	PR:098,529
(10)	991 731 520 00	plate Reinforcement	right lhd	1	PR:098,529
(10)	991 731 519 01	plate Reinforcement	left rhd	1	PR:099,529
(10)	991 731 520 01	plate Reinforcement	right rhd	1	PR:099,529
11	991 731 833 00	Seal	left	1	PR:529
(11)	991 731 834 00	Seal	lower right	1	PR:529
12	991 622 711 00	Wire set Exterior mirror		1	PR:254,529
(12)	991 622 712 00	Wire set Exterior mirror		1	PR:255,529
(12)	991 622 713 00	Wire set Exterior mirror		1	PR:256,529
(12)	991 622 714 00	Wire set Exterior mirror		1	PR:257,529
13	999 073 192 01	Socket head bolt		1	

Model: 991-16

Model life 2017>>

Pos	Part Number	Description	Remark	Qty	Model
14	999 703 543 40	M8X33 End cap		1	
		Screw 25,0X35,0			
15	7PP 959 578 D	Adjusting motor		2	
22	991 731 919 00	1 set securing bolts comprising:		1	
		3X14		4	
		3X12		2	
		3X16		1	
		3X10		3	
		3X38		1	
25	7PP 857 959	Spring clip Interior mirror		1	

Model: 991-16

Model life 2017>>

10—P O R S C H E

11—Carrera S—13

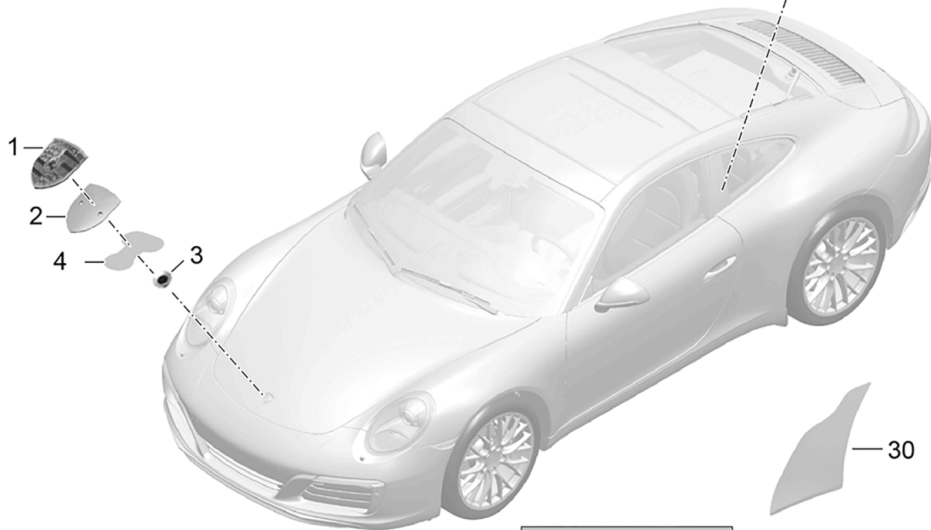
12—911 4—14

15—Targa

16—GTS

31—T

20—Targa



25—GTS

32—911 Carrera T



Model: 991-16 Model life 2017>>

Pos	Part Number	Description	Remark	Qty	Model
		inscriptions/lettering moldings Stone guard film			
1	991 559 211 00	Porsche crest	front	1	
2	991 559 215 02	Underlay		1	
3	999 591 423 03	Tapping nut 3,0		2	
4	999 911 756 41	Adhesive film		1	
10	991 559 235 00	inscription *PORSCHE*		1	
(10)	991 559 235 90	chromed inscription *PORSCHE*		1	
(10)	991 559 235 01	Black inscription *PORSCHE*		1	
	991 559 235 01 M7S	Achat Grey Metallic			
11	991 559 237 01	inscription *CARRERA*		1	
(11)	991 559 237 02	chromed inscription *CARRERA*		1	
(11)	991 559 237 03	Black inscription *CARRERA*		1	
	991 559 237 03 M7S	Achat Grey Metallic			
12	991 559 231 01	inscription *911*	Large	1	
(12)	991 559 231 02	chromed inscription *911*	Small	1	
(12)	991 559 231 03	chromed inscription *911*		1	
(12)	991 559 231 04	Black inscription *911*		1	
(12)	991 559 231 05	Black inscription *911*	Large	1	
	991 559 231 05 M7S	Achat Grey Metallic			
(12)	991 559 231 06	inscription *911*	Small	1	
	991 559 231 06 M7S	Achat Grey Metallic			
13	991 559 243 01	inscription *S*		1	
14	991 559 241 01	chromed inscription *4*		1	
(14)	991 559 241 02	chromed inscription *4*		1	
15	991 559 309 00	Black inscription Targa Trim	rear	1	
(15)	991 559 309 01	chromed inscription Targa Trim	rear	1	
16	991 559 261 00	Black inscription *GTS*		1	

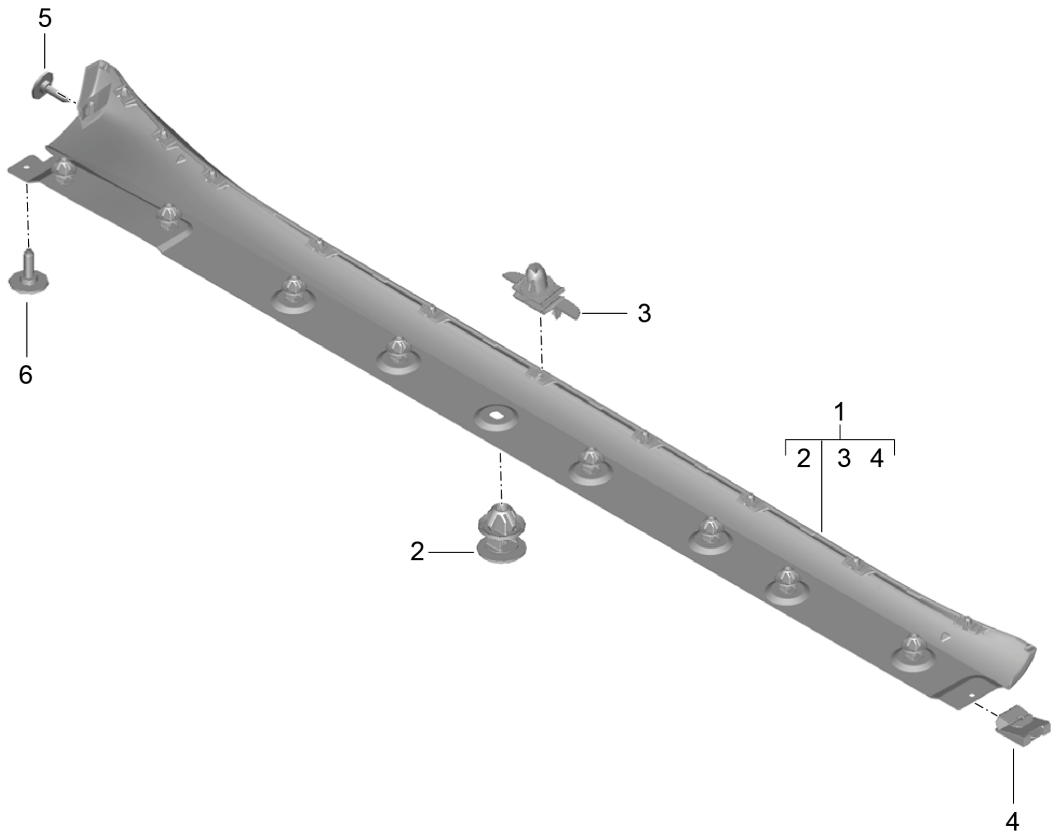
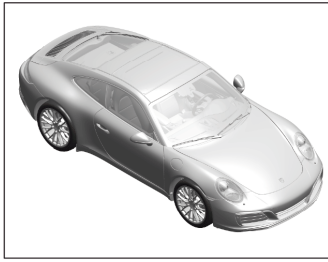
Model: 991-16

Model life 2017>>

Pos	Part Number	Description	Remark	Qty	Model
20	991 559 307 00	Black inscription Targa arm chromed		2	
(20)	991 559 307 01	Black inscription Targa arm		2	
25	991 559 443 00	Decorative film for door GTS		2	
30	991 504 835 02	Stone guard film Side part	left	1	
(30)	991 504 836 02	Stone guard film Side part	right	1	
(30)	991 504 835 05	Stone guard film Side part	left	1	
(30)	991 504 836 05	Stone guard film Side part	right	1	
31	991 559 261 01	inscription T		1	
32	991 559 261 01 M7S 991 559 443 01	Achat Grey Metallic Decorative film	side	1	

Model: 991-16

Model life 2017>>



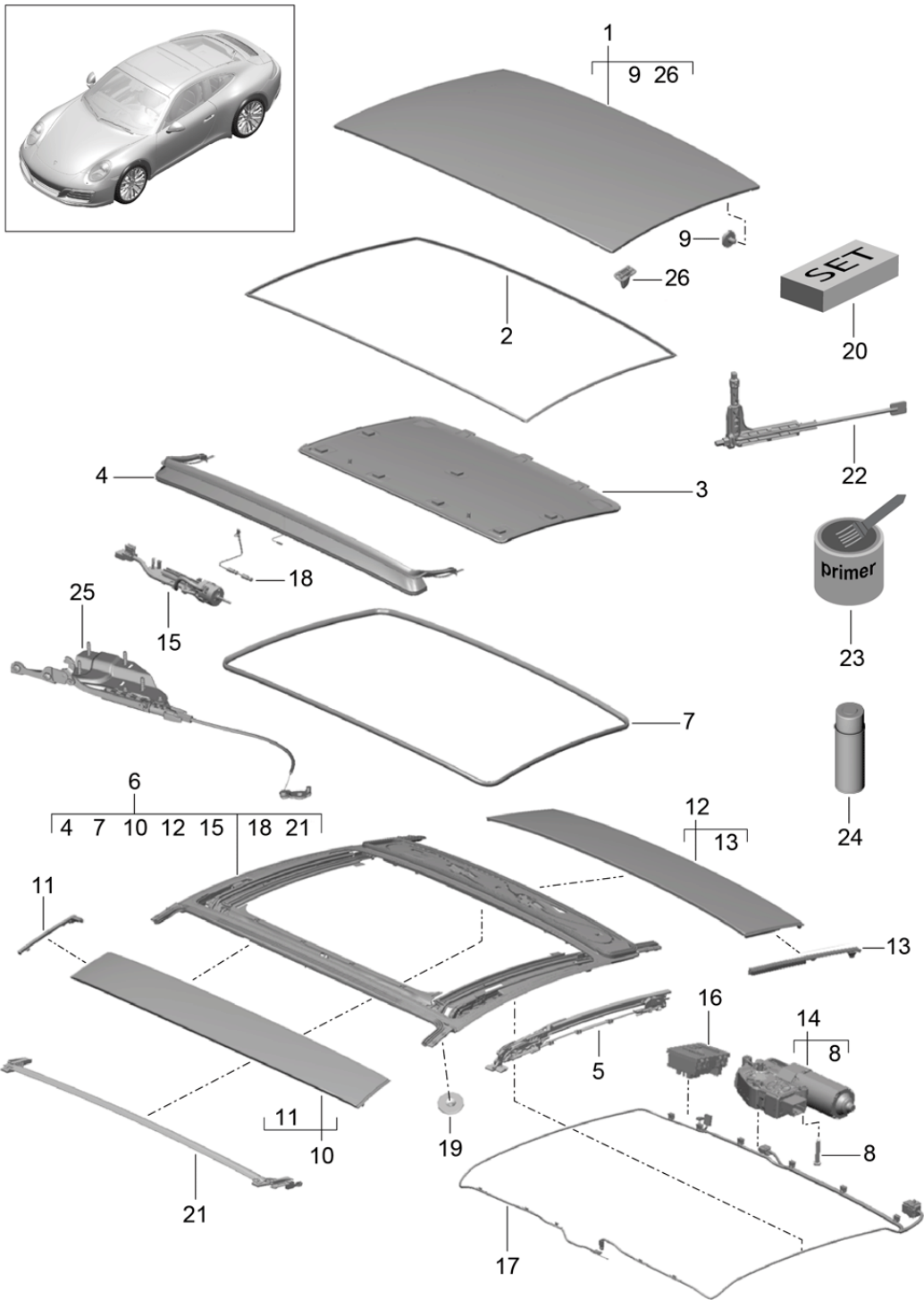
Model: 991-16

Model life 2017>>

Pos	Part Number	Description	Remark	Qty	Model
1	991 504 595 03	Side member trim	left	1	PR:011,-XAJ
	991 504 595 03 1E0	Black			
(1)	991 504 595 03	Side member trim	left	1	PR:-XAJ
	991 504 595 03 1E0	Black			
(1)	991 504 953 01	Side member trim	left	1	PR:011,XAJ, 789
		primed			
(1)	991 504 596 03	Side member trim	right	1	PR:011,-XAJ
	991 504 596 03 1E0	Black			
(1)	991 504 596 03	Side member trim	right	1	PR:-XAJ
	991 504 596 03 1E0	Black			
(1)	991 504 954 01	Side member trim	right	1	PR:011,XAJ, 789
		primed			
2	981 504 597 00	Fasteners		9	
		Cover			
3	999 507 986 40	Retaining clip		10	
		Side member trim			
		9,0X1,5			
4	999 507 795 09	panel nut		2	
		ST 4,8			
5	999 073 505 01	panel screw		1	
		ST4,8X16-C			
6	999 073 227 09	panel screw		1	
		ST4,8X19-C			

Model: 991-16

Model life 2017>>



Model: 991-16 Model life 2017>>

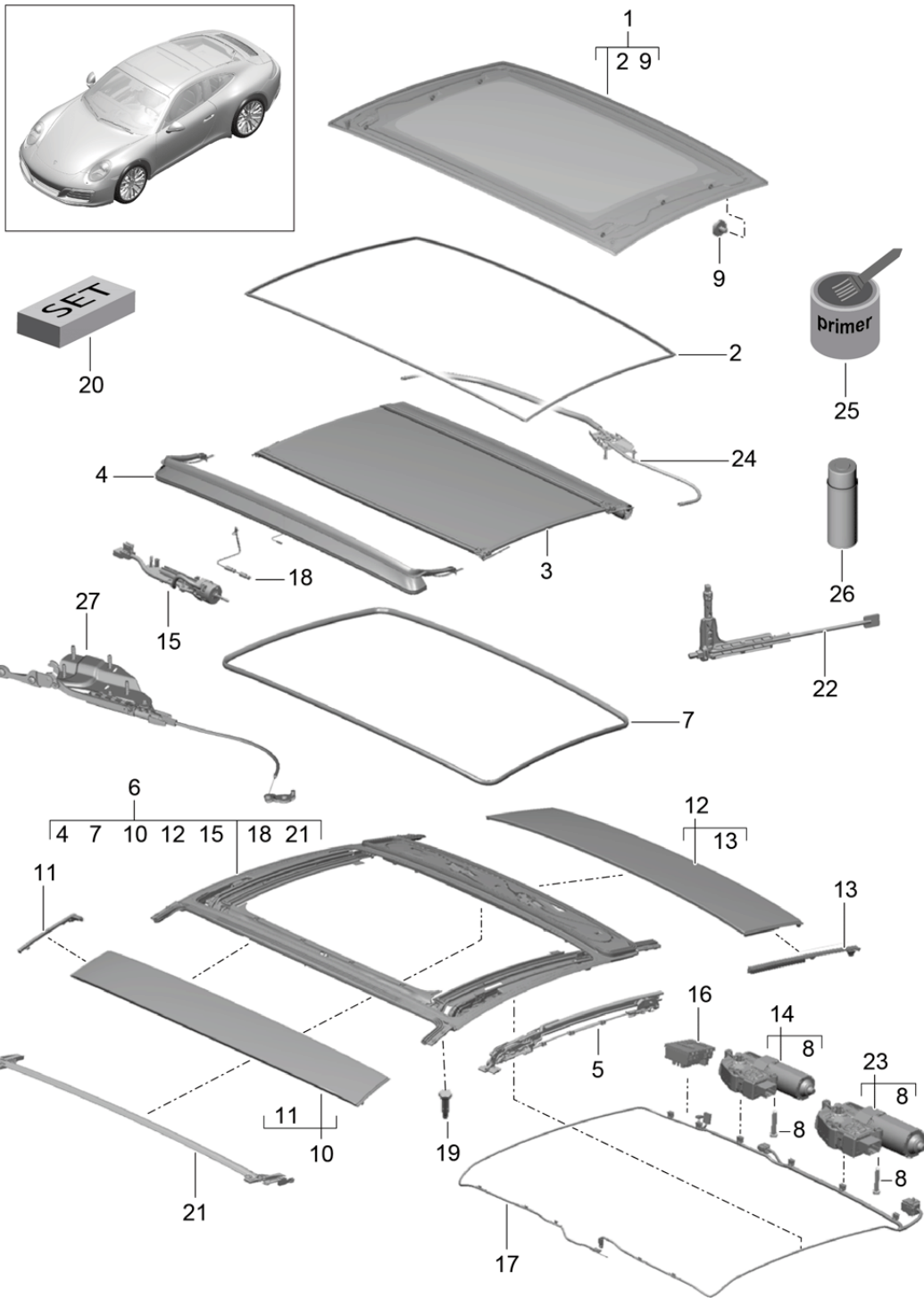
Pos	Part Number	Description	Remark	Qty	Model
1	991 566 343 01	Sliding/tilting roof Cover		1	PR:651 PR:651
		with:			
	991 566 343 01 GRV	Fastening screw primed			
2	991 566 455 00	Seal Cover		1	PR:651
3	991 566 905 00	Moulded headliner Sunroof		1	PR:651
		with:			
	991 566 905 00 2W0	Fasteners Black			
	991 566 905 00 8U3	Platinum Grey			
	991 566 905 00 9U1	Luxor beige			
	991 566 905 00 OU5	agate grey			
	991 566 905 00 9U7	Espresso			
4	991 566 161 00	wind deflector (complete)		1	PR:651
		with:			
5	991 566 351 00	Fasteners Guide rail	left	1	PR:651
		with:			
		gate guide (complete)			
(5)	991 566 352 01	Guide rail	right	1	PR:651
		with:			
		gate guide (complete)			
6	991 566 215 01	Frame for sliding sunroof aperture		1	PR:651
		also use:	N 906 661 01	2	
7	991 566 331 01	Seal Frame		1	PR:651
		use if required:	000 043 305 72	1	
8	958 562 057 00	Set of fastening parts Fastening screw Driving mechanism		1	
9	991 566 945 00	Set Fastening screw Cover		1	
10	991 566 321 00	Trim	front	1	PR:651
		with:			
	991 566 321 00 GRV	Seal primed			
11	991 566 923 00	Seal Trim	left front	1	PR:651
(11)	991 566 924 00	Seal Trim	right front	1	PR:651
12	991 566 325 00	Trim	rear	1	PR:651
		with:			
	991 566 325 00 GRV	Seal primed			
13	991 566 927 00	Seal Trim	left rear	1	PR:651
(13)	991 566 928 00	Seal Trim	right rear	1	PR:651
14	991 624 909 00	Driving mechanism Cover Sunroof		1	PR:651
		with:			
		Fasteners			
15	991 624 915 00	Driving mechanism		1	PR:651

Model: 991-16 Model life 2017>>

Pos	Part Number	Description	Remark	Qty	Model
16	991 618 215 03	wind deflector Control unit wind deflector		1	PR:352,475, 477,-XAS, -XAT
(16)	991 618 216 01	Control unit wind deflector		1	PR:XAS,030, 031,352,475, 477
(16)	991 618 216 01	Control unit wind deflector		1	PR:030,031, -XAS,-XAT
(16)	991 618 217 01	Control unit wind deflector		1	PR:XAT,030, 031,352,475, 477
17	991 612 871 00	Wire set Sunroof		1	PR:651
18	991 566 961 00	repair set Cable Guide wind deflector	also use: N 906 661 01	2 1	
19	N 905 708 02	hex. nut with washer Frame M6		4	
20	000 043 305 35	2K pane adhesive set		1	
21	991 566 443 00	Transverse strut		1	
22		Fasteners crank Emergency operation see illustration:	001-000	1	
23	000 043 305 72	Primer PRIMER for Mount Seal		1	
24	N 052 567 GB	special lubricant Spraying can 100 ML		1	
25	991 566 972 00	repair set Locking mechanism		1	PR:651
26	9P1 898 220	repair set Thrust wedge for wind deflector		1	PR:651

Model: 991-16

Model life 2017>>





Model: 991-16 Model life 2017>>

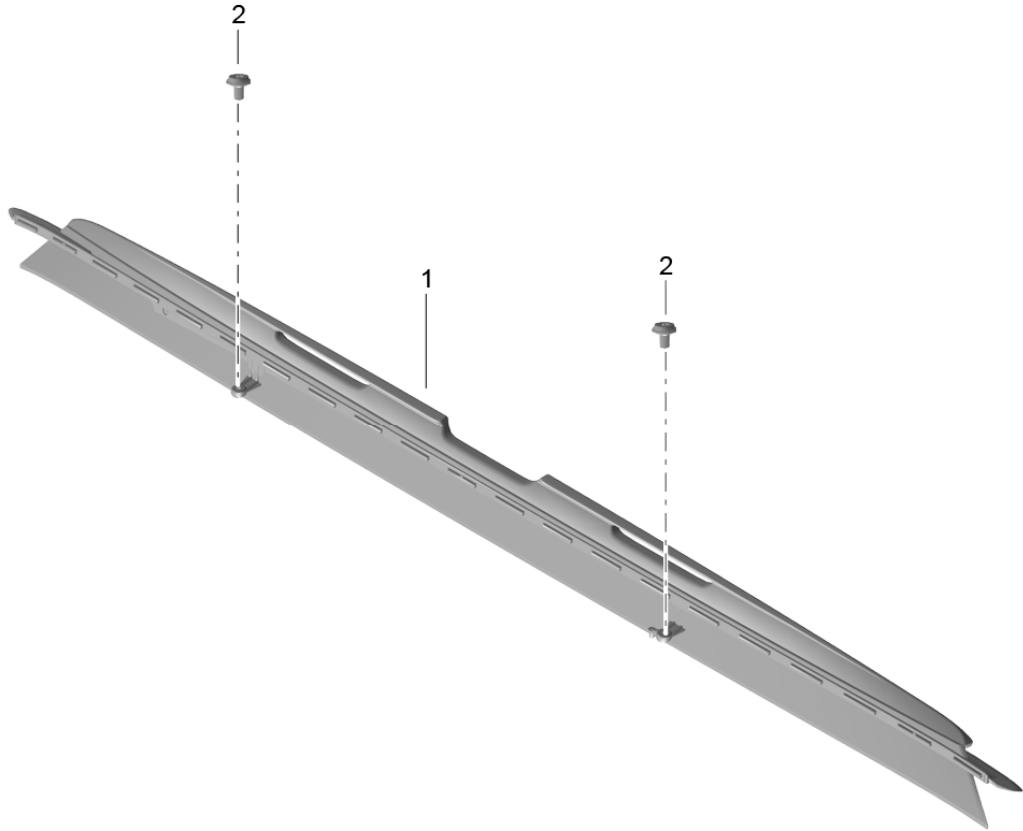
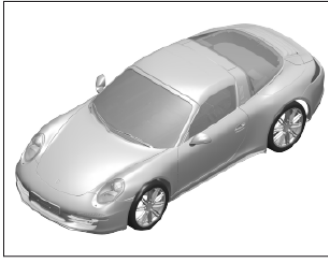
Pos	Part Number	Description	Remark	Qty	Model
(1)	991 566 345 01	Glass roof		1	PR:653
(2)	991 566 475 00	Seal		1	PR:653
3	991 566 907 00	Glass roof roller blind Glass roof		1	PR:653
		with:			
	991 566 907 00 OA3	Fasteners Black			
	991 566 907 00 OH7	Graphite grey			
	991 566 907 00 OB4	Luxor beige			
	991 566 907 00 OG9	agate grey			
	991 566 907 00 OE7	Espresso			
4	991 566 161 00	wind deflector (complete)		1	PR:653
		with:			
5	991 566 351 00	Fasteners Guide rail	left	1	PR:653
		with:			
(5)	991 566 352 01	gate guide (complete) Guide rail	right	1	PR:653
		with:			
6	991 566 215 01	Frame for sliding sunroof aperture		1	PR:653
			991 566 960 00	1	
		also use:			
7	991 566 331 01	See workshop manual Seal Frame		1	PR:653
		use if required:	000 043 305 72	1	
8	958 562 057 00	Set of fastening parts Fastening screw Driving mechanism		1	
9	991 566 945 00	Set Fastening screw Cover		1	
10	991 566 321 00	Trim	front	1	PR:653
	991 566 321 00 GRV	primed			
11	991 566 923 00	Seal	left	1	PR:653
(11)	991 566 924 00	Trim Seal	front right	1	PR:653
12	991 566 325 00	Trim	front	1	PR:653
	991 566 325 00 GRV	primed	rear	1	PR:653
13	991 566 927 00	Seal	left	1	PR:653
(13)	991 566 928 00	Trim Seal	rear right	1	PR:653
14	991 624 911 00	Trim Driving mechanism Glass roof	rear	1	PR:653
		with:			
15	991 624 915 00	Fasteners Driving mechanism wind deflector		1	PR:653
16	991 618 215 03	Control unit wind deflector		1	PR:352,475, 477,-XAS, -XAT
(16)	991 618 216 01	Control unit wind deflector		1	PR:XAS,030, 031,352,475, 477

Model: 991-16 Model life 2017>>

Pos	Part Number	Description	Remark	Qty	Model
(16)	991 618 216 01	Control unit wind deflector		1	PR:030,031, -XAS,-XAT
(16)	991 618 217 01	Control unit wind deflector		1	PR:XAT,030, 031,352,475, 477
17	991 612 871 00	Wire set Glass roof		1	PR:653
18	991 566 961 00	repair set Cable Guide wind deflector		1	PR:653
19	N 905 708 02	hex. nut with washer Frame M6		4	
20	000 043 305 35	2K pane adhesive set		1	
21	991 566 443 00	Transverse strut		1	
		with:			
22		Fasteners crank Emergency operation		1	
		see illustration:	001-000		
23	991 624 913 00	Drive f. sunlight roller blind repair set		1	PR:653
24	991 566 960 00	repair set Cable for roller blind		1	
25	000 043 305 72	Primer PRIMER for Mount Seal		1	
26	N 052 567 GB	special lubricant Spraying can 100 ML		1	
27	991 566 970 00	repair set Locking mechanism		1	PR:653

Model: 991-16

Model life 2017>>



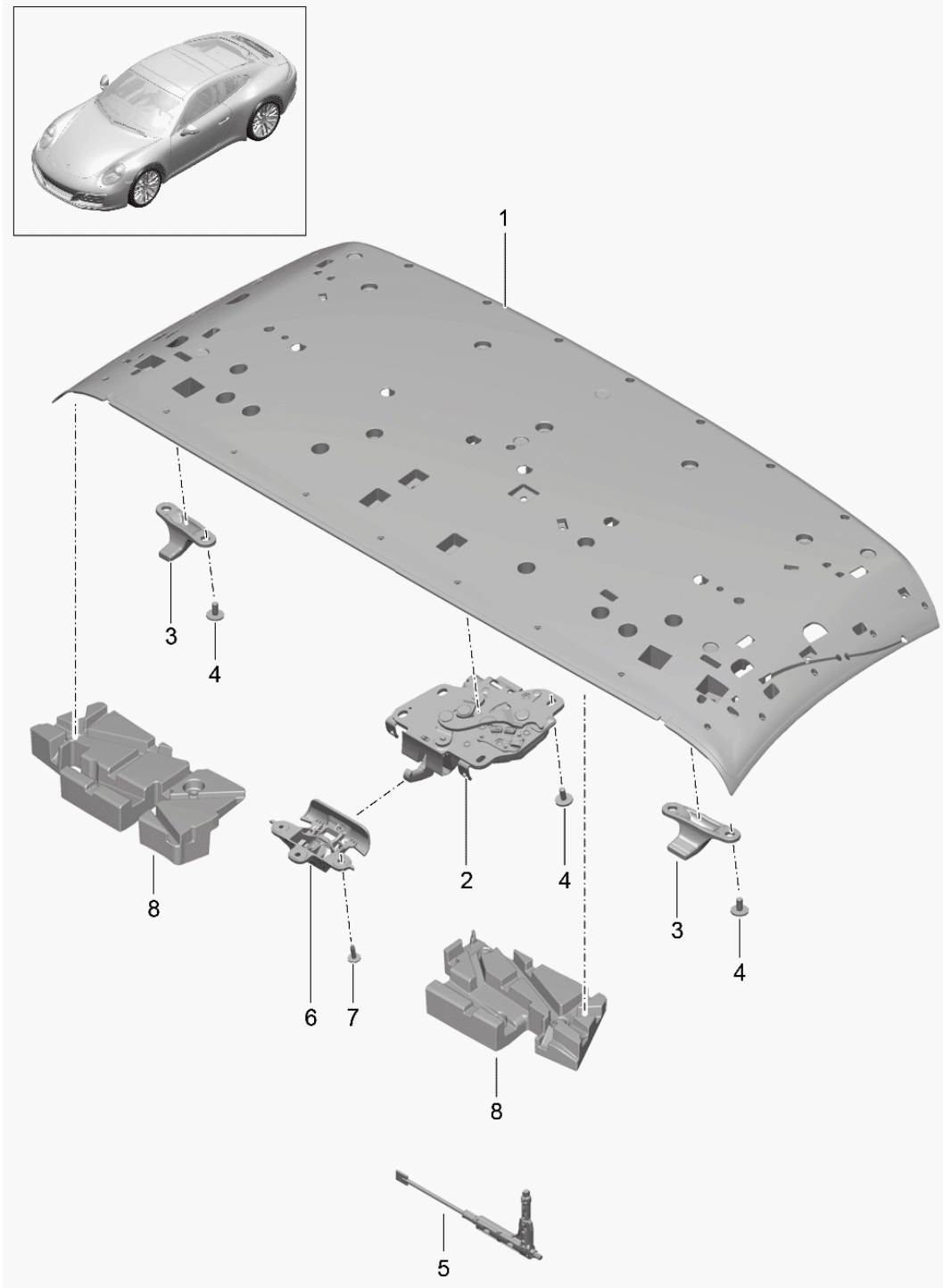
Model: 991-16

Model life 2017>>

Pos	Part Number	Description	Remark	Qty	Model
1	991 537 079 03	wind deflector		1	Targa
2	999 073 432 01	wind deflector fillister hd. bolt M5X8		4	

Model: 991-16

Model life 2017>>



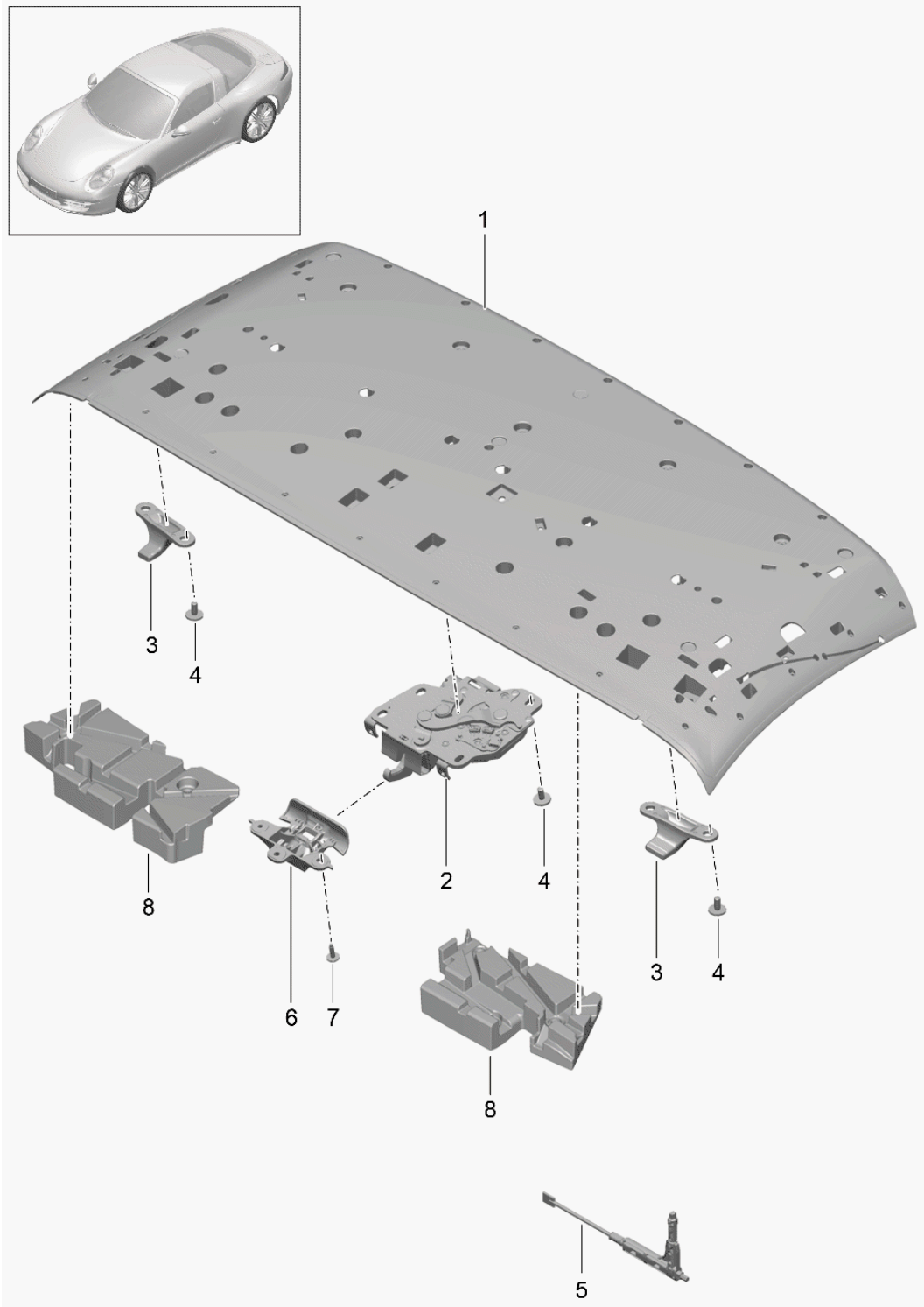
Model: 991-16

Model life 2017>>

Pos	Part Number	Description	Remark	Qty	Model
1	991 561 941 02	top frame roof frame catch roof frame  with: Fasteners	front	1	Cabrio
2	991 561 117 03	catch		1	
3	991 561 605 00	Centring journal	left	1	
(3)	991 561 606 00	Centring journal	right	1	
4	991 561 965 01	Set of fastening parts for catch and Centring journal		1	
5		Tool Emergency operation see illustration:	001-000	1	
6	991 561 235 04	Support catch		1	
	991 561 235 04 5Q0	Black			
7	999 073 223 01	Bolt with washer M6X25		3	
8	991 561 937 00	repair set deformation element		1	

Model: 991-16

Model life 2017>>



Model: 991-16

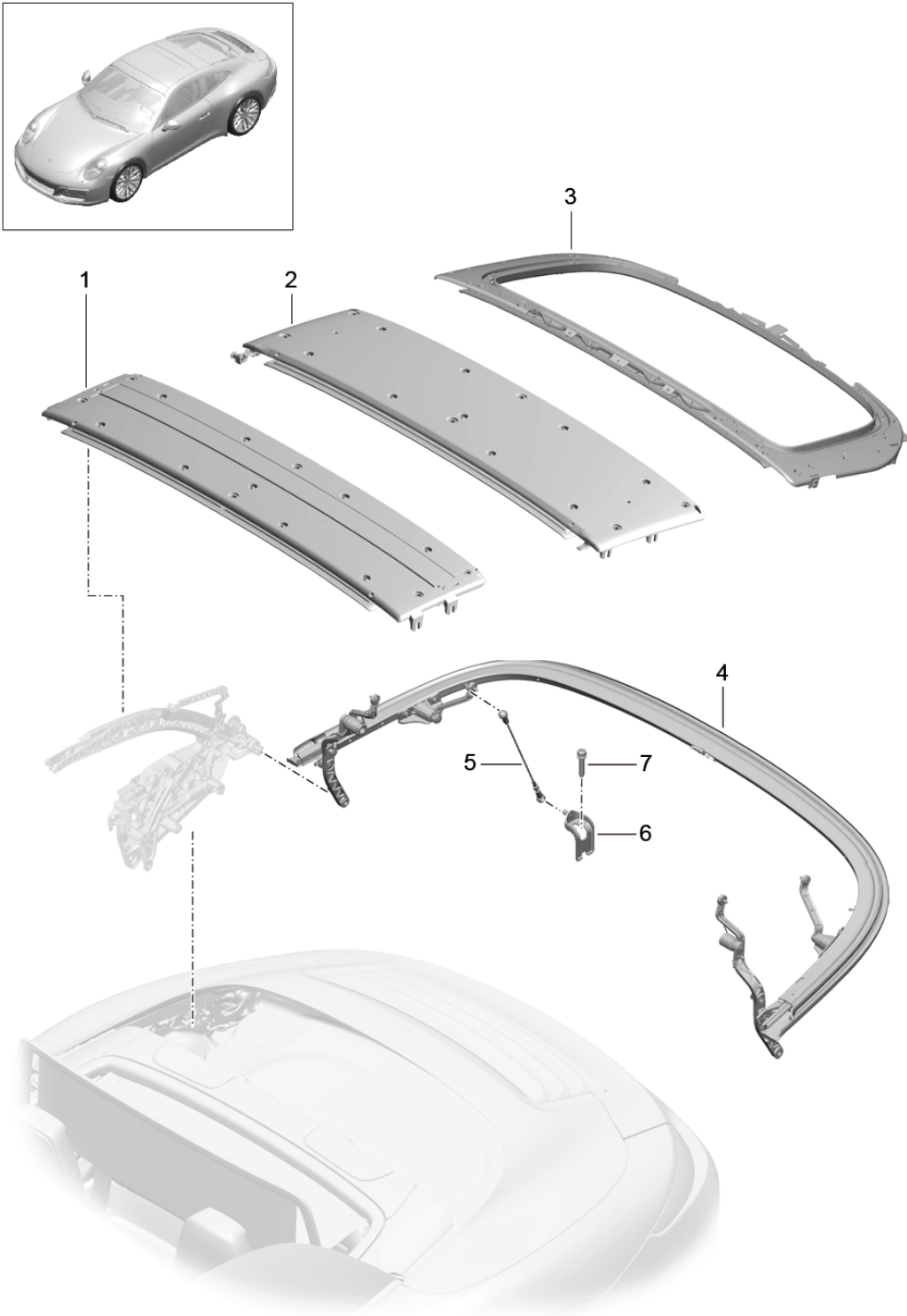
Model life 2017>>

Pos	Part Number	Description	Remark	Qty	Model
1	991 562 931 00	top frame roof frame catch roof frame  with: Fasteners	front	1	Targa
2	991 561 117 03	catch		1	
3	991 561 605 00	Centring journal	left	1	
(3)	991 561 606 00	Centring journal	right	1	
4	991 561 965 01	Set of fastening parts for catch and Centring journal		1	
5		Tool Emergency operation see illustration:	001-000	1	
6	991 561 235 04	Support catch		1	
	991 561 235 04 5Q0	Black			
7	999 073 223 01	Bolt with washer M6X25		3	
8	991 561 937 00	repair set deformation element		1	



Model: 991-16

Model life 2017>>



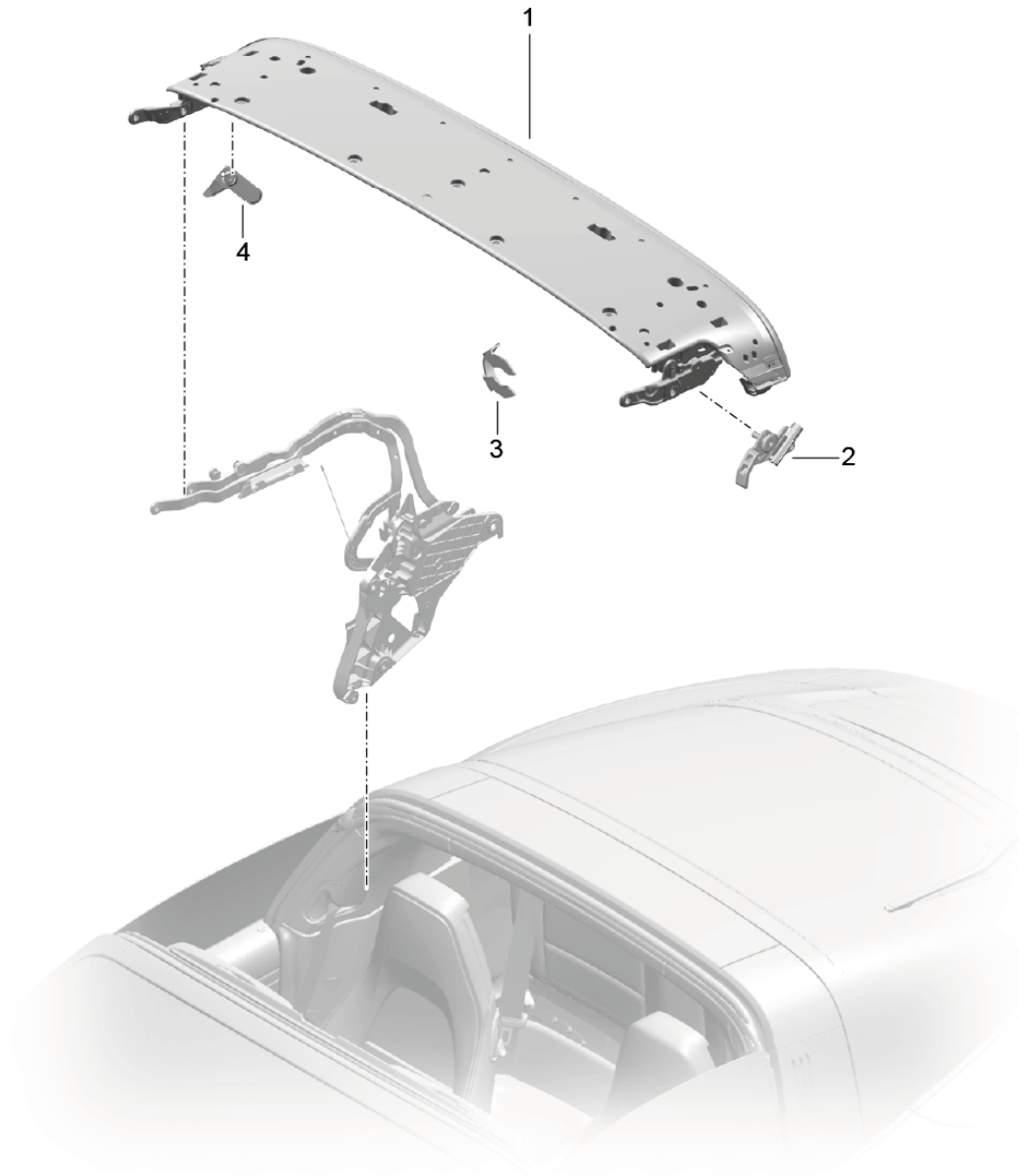
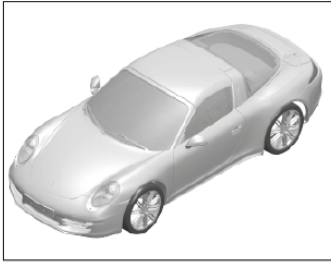
Model: 991-16

Model life 2017>>

Pos	Part Number	Description	Remark	Qty	Model
		top frame			Cabrio
		Individual parts			
1	991 561 943 01	Roof arch	front	1	
		Roof arch			
		with:			
2	991 561 945 01	Fasteners	rear	1	
		Roof arch			
		with:			
3	991 561 947 01	Fasteners		1	
		Rear window frame			
		Mount			
4	991 561 215 00	Trim	rear	1	
		Roof arch	lower		
		with:			
5	991 561 513 00	Accessories		2	
		tension wire			
6	991 561 055 00	Console		2	
		tension wire			
7	991 561 819 00	adjusting screw		2	

Model: 991-16

Model life 2017>>



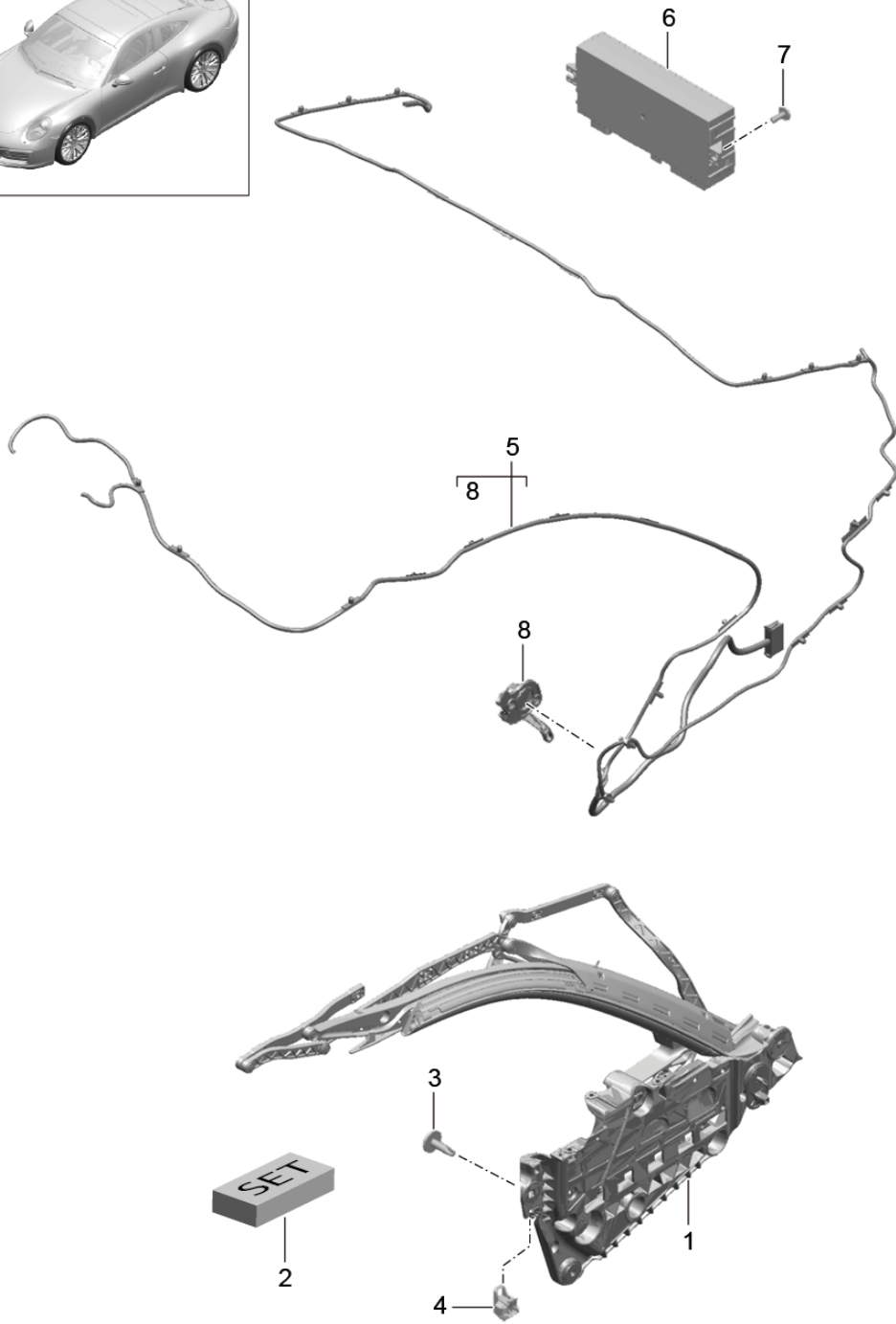
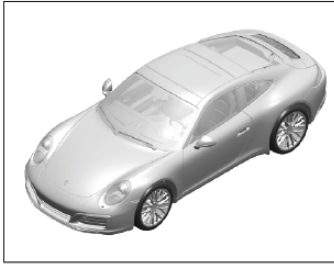
Model: 991-16

Model life 2017>>

Pos	Part Number	Description	Remark	Qty	Model
1	991 562 932 00	top frame Individual parts Roof arch Locking mechanism Roof arch	side	1	Targa
		with:			
2	991 562 945 00	Fasteners repair set Locking mechanism	left	1	
(2)	991 562 946 00	Convertible top repair set Locking mechanism	right	1	
(3)	999 166 040 01	Convertible top fuse for Cable Locking mechanism		2	
4	991 562 995 00	repair set Cover Mounting	left	1	
(4)	991 562 996 00	axle repair set Cover Mounting axle	right	1	

Model: 991-16

Model life 2017>>



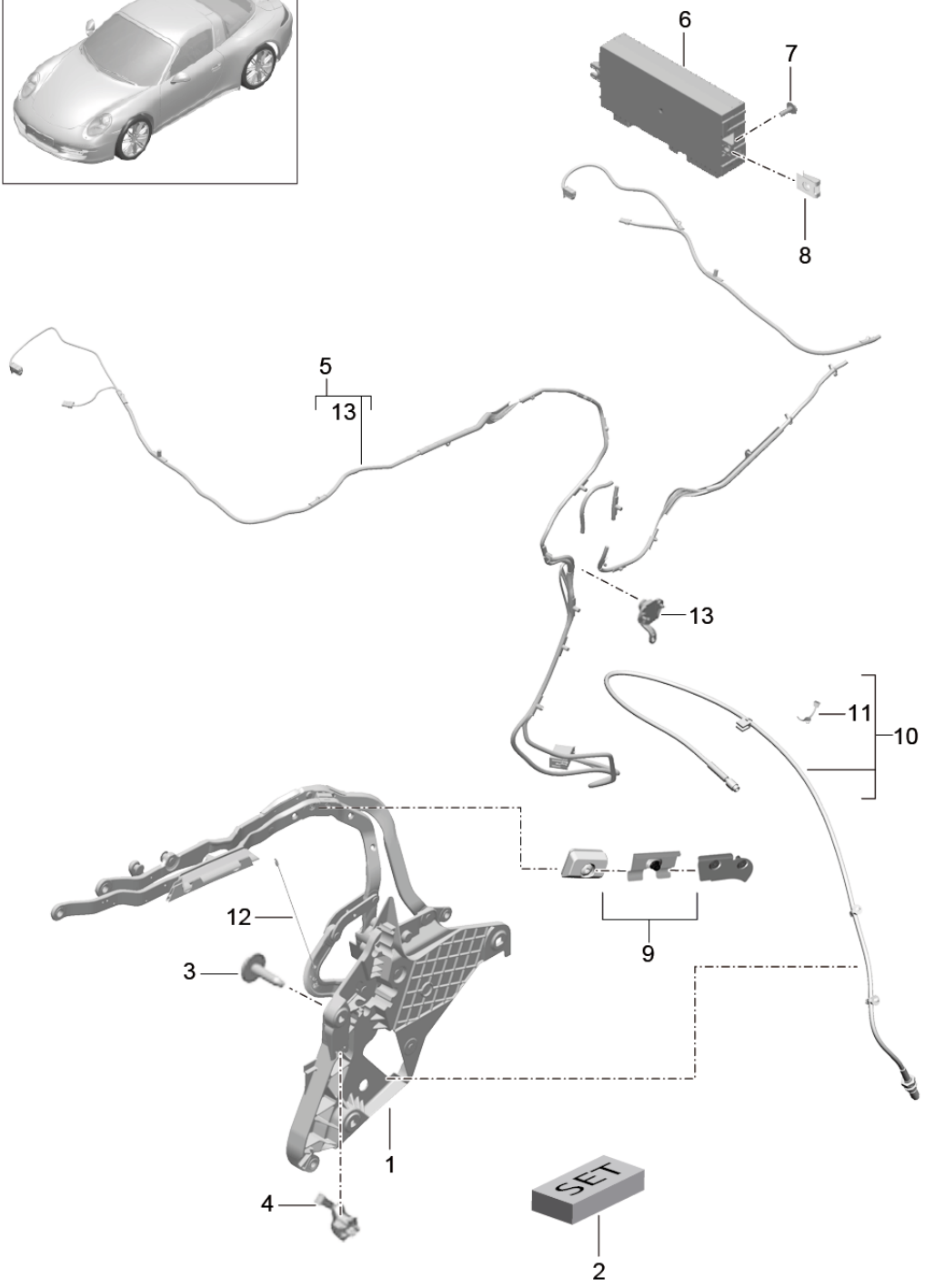
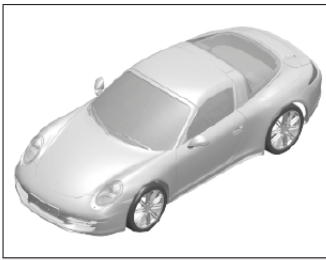
Model: 991-16

Model life 2017>>

Pos	Part Number	Description	Remark	Qty	Model
		top frame Individual parts and electrical components	side		Cabrio
1	991 561 211 02	top frame	left	1	
(1)	991 561 212 02	top frame	right	1	
2	991 561 967 00	Assembly kit top frame		1	
3	999 073 534 01	Bolt with washer M8X30		6	
4	991 561 715 01	Guide piece		2	
5	991 561 969 02	Wire set (complete)		1	
		with:			
		Potentiometer and Fasteners			
6	991 618 111 03	Control unit Convertible top control		1	
7	999 073 228 09	panel screw ST 4,8X13		2	
8	991 606 307 01	Potentiometer		1	

Model: 991-16

Model life 2017>>



Model: 991-16

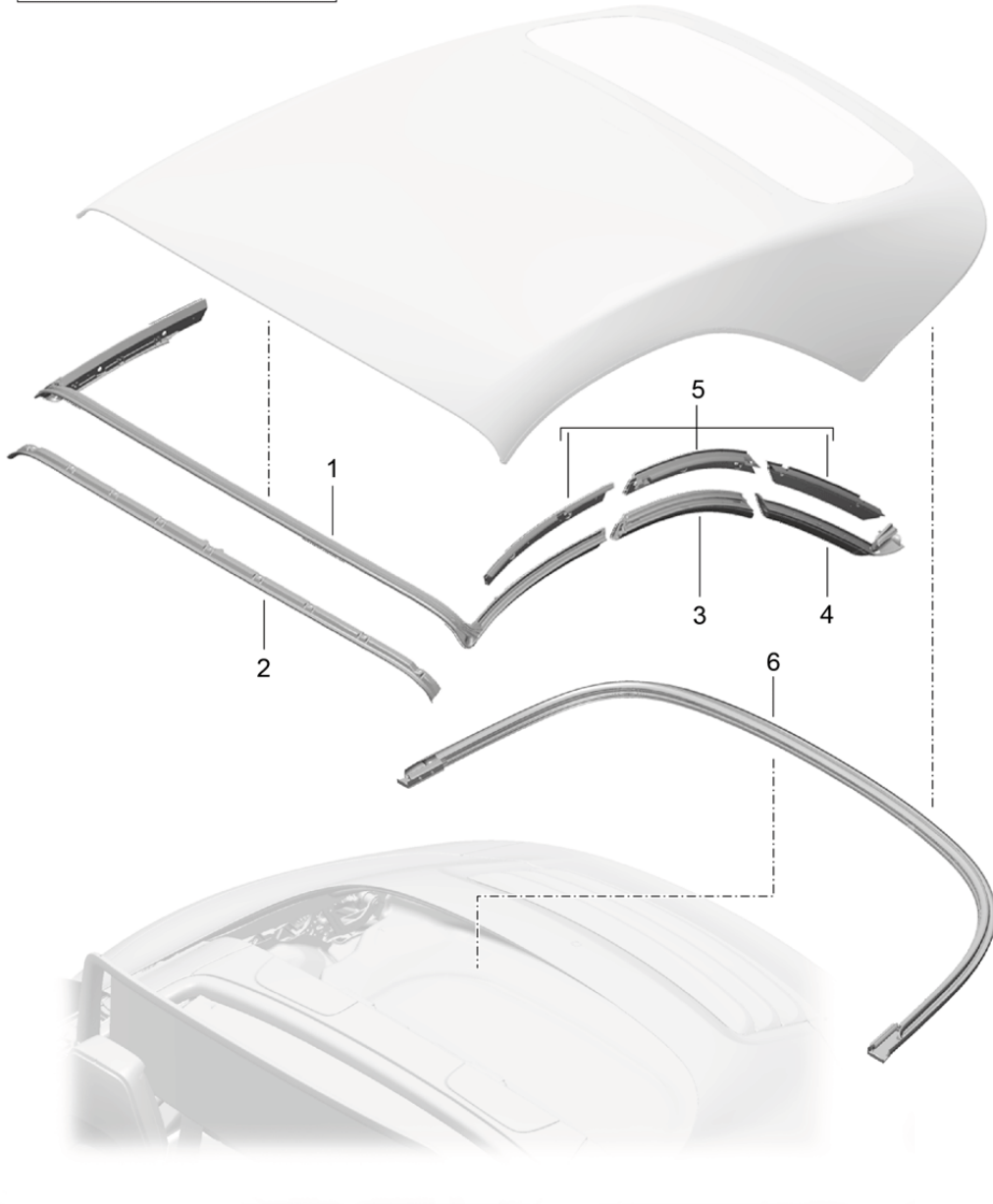
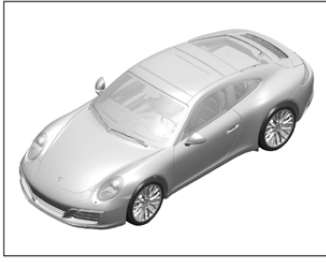
Model life 2017>>

Pos	Part Number	Description	Remark	Qty	Model
		top frame Individual parts and electrical components	side		Targa
1	991 562 541 00	top frame	left	1	
(1)	991 562 542 00	top frame	right	1	
2	991 562 968 00	Assembly kit top frame		1	
3	999 073 534 01	Bolt with washer M8X30		6	
4	991 561 715 01	Guide piece		4	
5	991 562 969 00	Wire set (complete)		1	
		with:			
6	991 618 241 03	Fasteners Control unit for convertible roof controls		1	
7	999 073 228 09	panel screw ST 4,8X13		2	
8	999 507 033 01	panel nut ST 4,8		2	
9	991 562 947 00	Repair set for convertible roof frame		1	
10	991 562 941 00	Thrust wedge repair set	left	1	
(10)	991 562 942 00	Driving mechanism Cable repair set	right	1	
11	999 513 063 40	Driving mechanism Cable Cable holder		2	
12	991 562 959 00	repair set Cable Actuator Flap		1	
13	9P1 907 127 A	B-pillar Potentiometer		1	



Model: 991-16

Model life 2017>>



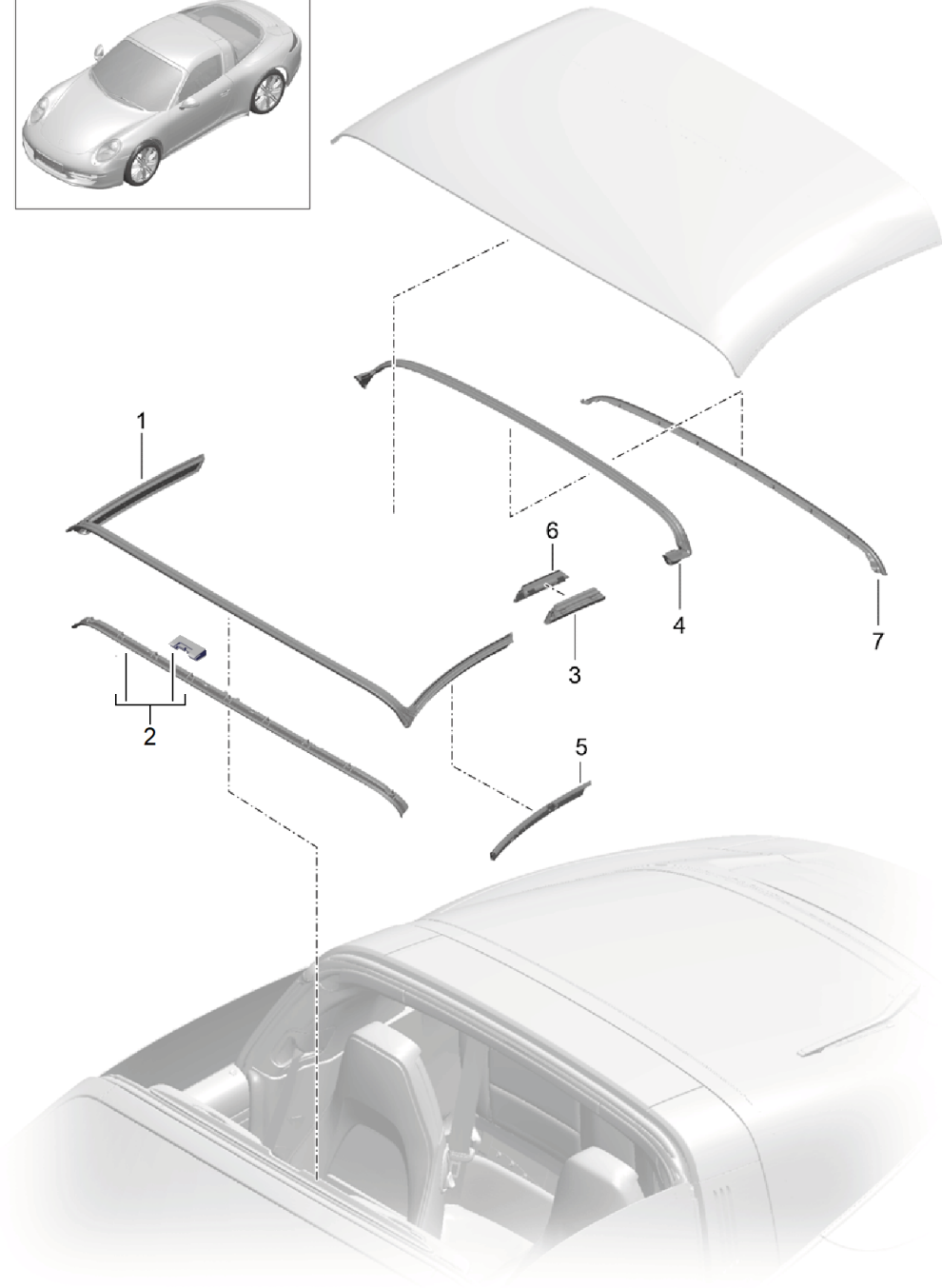
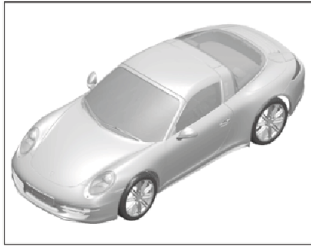
Model: 991-16

Model life 2017>>

Pos	Part Number	Description	Remark	Qty	Model
		Convertible top			Cabrio
		Seal			
1	991 561 951 01	roof frame seal		1	
2	991 561 959 01	retaining strip		1	
		with:			
		Fastening screw			
3	991 561 953 00	Seal	center	1	
			left		
(3)	991 561 954 00	Seal	center	1	
			right		
4	991 561 517 00	Seal	rear	1	
			left		
(4)	991 561 518 00	Seal	rear	1	
			right		
5	991 561 957 00	repair set	left	1	
		retaining strip			
		for			
		Seal			
(5)	991 561 958 00	repair set	right	1	
		retaining strip			
		for			
		Seal			
6	991 561 955 00	Seal	rear	1	
		with:	lower		
		Rivet			
		for			
		Roof arch			

Model: 991-16

Model life 2017>>



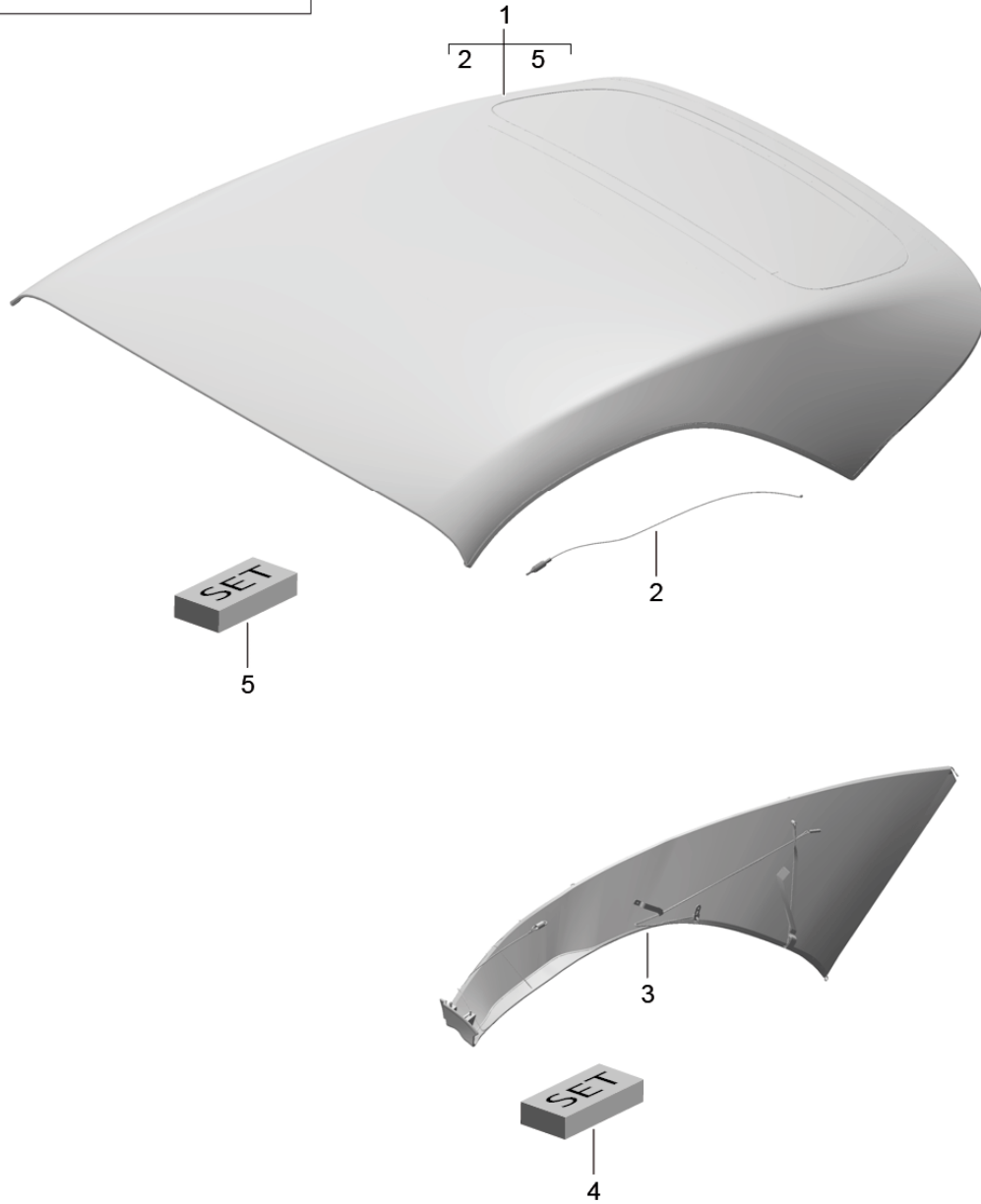
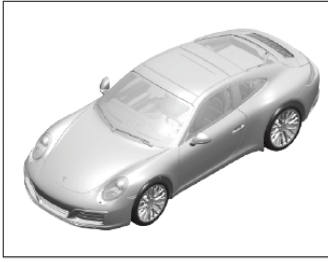
Model: 991-16

Model life 2017>>

Pos	Part Number	Description	Remark	Qty	Model
		Convertible top			Targa
1	991 562 934 00	Seal roof frame seal repair set		1	
2	991 562 951 00	retaining strip		1	
		with:			
3	991 562 935 00	Fastening screw Seal repair set	left	1	
(3)	991 562 936 00	Guide Seal repair set	right	1	
4	991 562 937 00	Guide Seal repair set	rear	1	
5	991 562 953 00	Roof arch Transverse repair set retaining strip for	left	1	
(5)	991 562 954 00	Seal roof frame repair set retaining strip for	right	1	
6	991 562 955 00	Seal roof frame repair set retaining strip for	left	1	
(6)	991 562 956 00	Seal Guide repair set retaining strip for	right	1	
7	991 562 957 00	Seal Guide repair set retaining strip for Seal Roof arch Transverse	rear	1	

Model: 991-16

Model life 2017>>



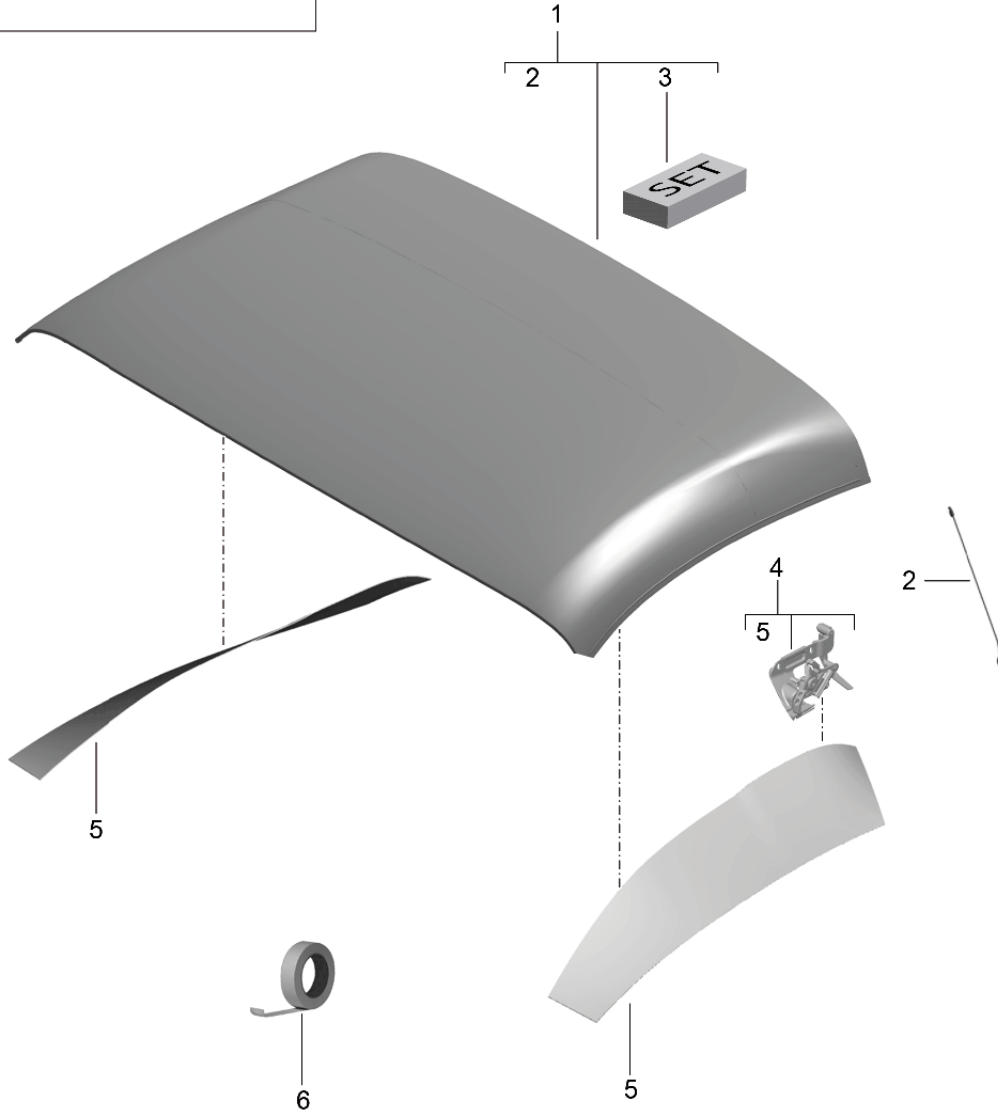
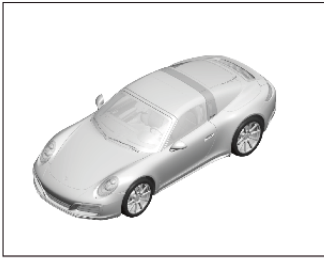
Model: 991-16

Model life 2017>>

Pos	Part Number	Description	Remark	Qty	Model
1	991 561 939 02	Convertible top covering Roofliner Convertible top covering with: Assembly kit		1	Cabrio
	991 561 939 02 A10	Black			
	991 561 939 02 R17	brown			
	991 561 939 02 L02	red			
	991 561 939 02 G38	blue			
2	991 561 511 01	tension wire		2	
3	991 561 311 02	Moulded headliner	left	1	
	991 561 311 02 A26	Black			
(3)	991 561 312 02	Moulded headliner	right	1	
	991 561 312 02 A26	Black			
4	991 561 961 01	Assembly kit Roofliner		1	
5	991 561 968 01	Assembly kit Convertible top covering		1	

Model: 991-16

Model life 2017>>



Model: 991-16

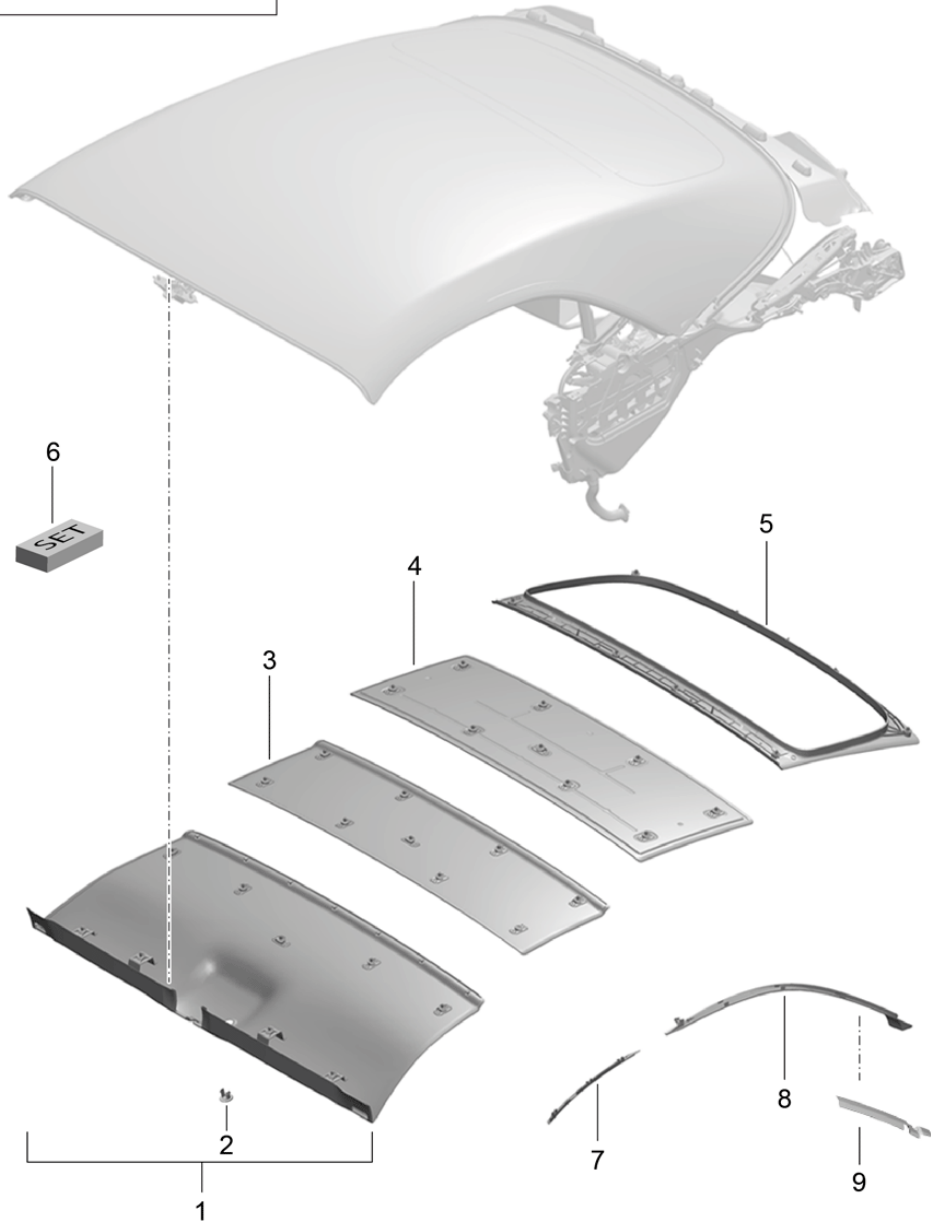
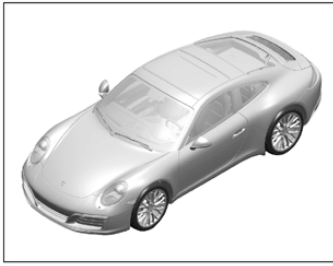
Model life 2017>>

Pos	Part Number	Description	Remark	Qty	Model
1	991 562 933 01	Convertible top covering Roofliner Convertible top covering with: Assembly kit		1	Targa
	991 562 933 01 A10	Black			
	991 562 933 01 R17	brown			
	991 562 933 01 L02	red			
	991 562 933 01 G38	blue			
2	991 562 958 00	repair set tension wire		2	
3	991 562 967 00	Assembly kit		1	
4	991 562 961 00	Convertible top covering repair set Roofliner with:	left	1	
(4)	991 562 962 00	Control repair set Roofliner with:	right	1	
5	991 562 531 00	Control Moulded headliner also use:	left 991 562 997 00	1 1	
(5)	991 562 531 00 A26	Black			
	991 562 532 00	Moulded headliner also use:	right 991 562 997 00	1 1	
	991 562 532 00 A26	Black			
6	991 562 997 00	repair set Adhesive tape		2	



Model: 991-16

Model life 2017>>

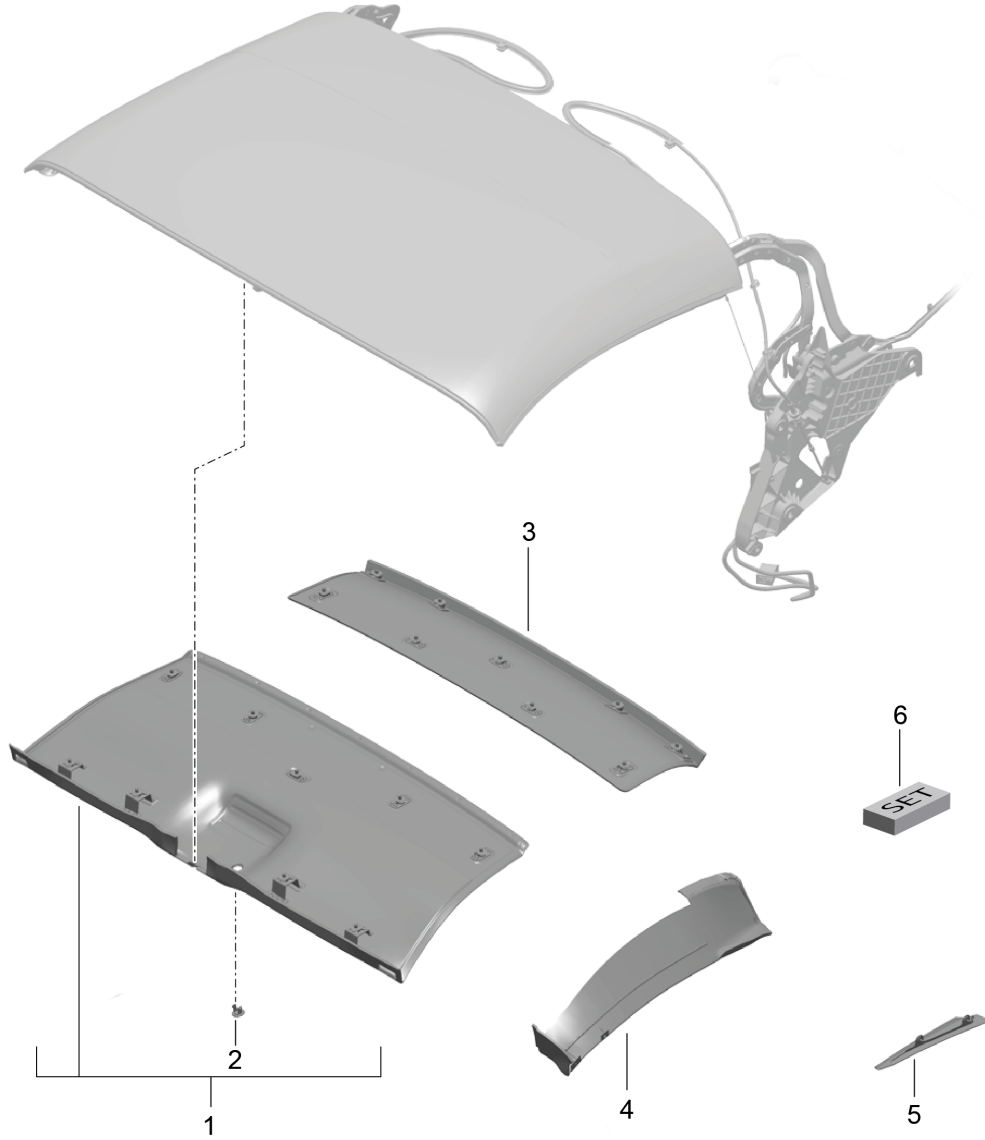
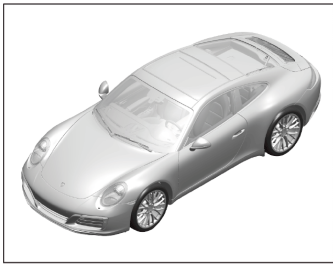


Model: 991-16 Model life 2017>>

Pos	Part Number	Description	Remark	Qty	Model
		Soft top headliner trims			Cabrio
1	991 561 313 03	Roofliner roof frame		1	
	991 561 313 03 A26	Black			
2	991 561 325 00	Bungs Emergency operation		1	
	991 561 325 00 1E0	Black			
3	991 561 315 02	Roofliner Roof arch	front	1	
	991 561 315 02 A26	Black			
4	991 561 317 02	Roofliner Roof arch	rear	1	
	991 561 317 02 A26	Black			
5	991 561 319 00	Trim Rear window		1	
	991 561 319 00 A26	Black			
6	991 561 963 01	Set of fastening parts Roofliner Content Clip		1	
7	991 561 321 00	trim for roof frame	left	10	
	991 561 321 00 1E0	Black		1	
(7)	991 561 322 00	trim for roof frame	right	1	
	991 561 322 00 1E0	Black			
8	991 561 323 00	Trim Guide	left	1	
	991 561 323 00 1E0	Black			
(8)	991 561 324 00	Trim Guide	right	1	
	991 561 324 00 1E0	Black			
9	991 561 327 00	Cover Guide	left	1	
(9)	991 561 328 00	Cover Guide	right	1	

Model: 991-16

Model life 2017>>



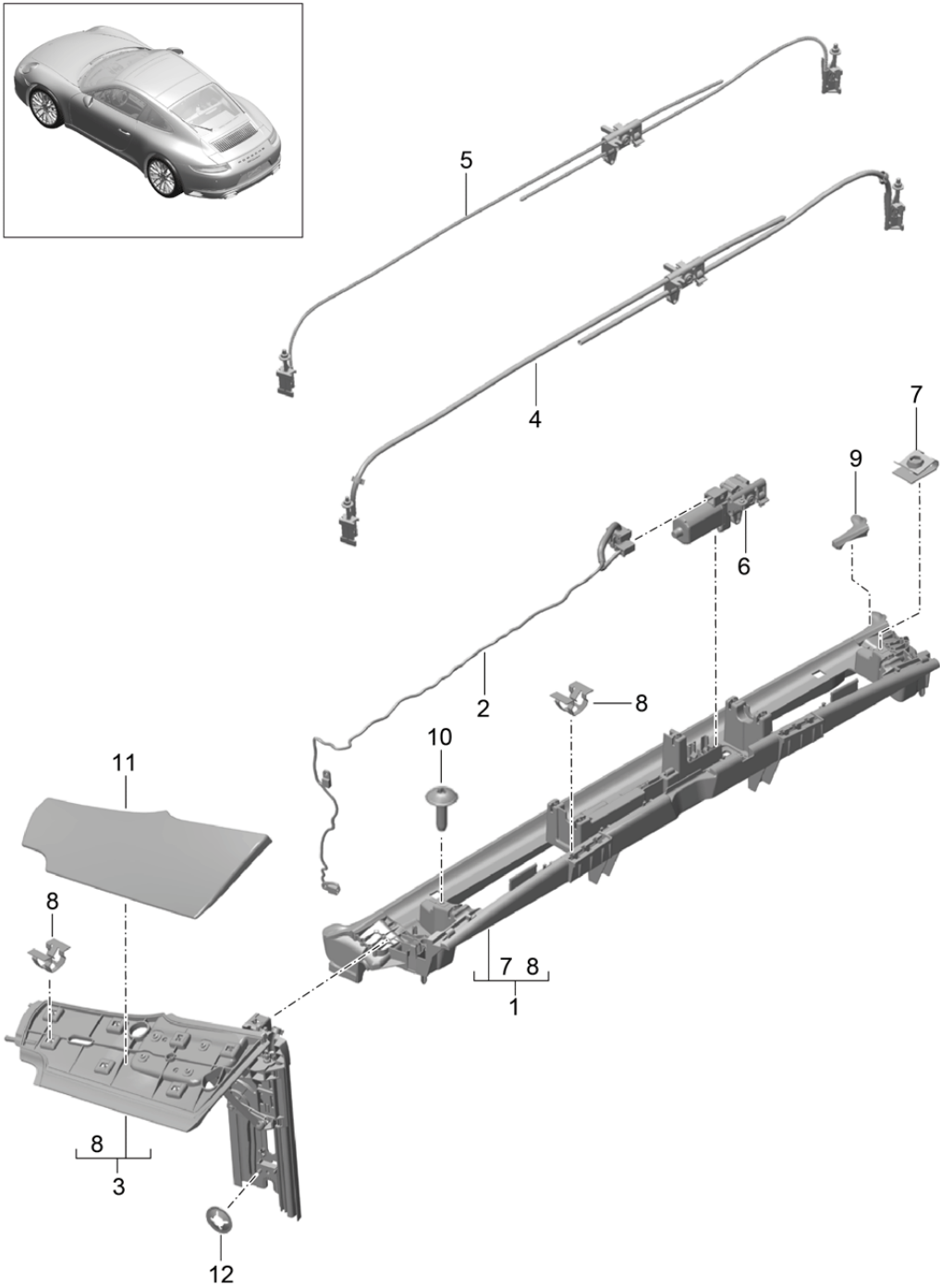
Model: 991-16

Model life 2017>>

Pos	Part Number	Description	Remark	Qty	Model
		Convertible top			Targa
1	991 562 535 00	Roofliner Roofliner roof frame		1	
2	991 562 535 00 5Q0 991 561 325 00	Black Bungs Emergency operation		1	
3	991 561 325 00 1E0 991 562 960 00	Black repair set Roofliner Roof arch		1	
4	991 562 537 00 991 562 537 00 1E0	Black trim for roof frame	left	1	
(4)	991 562 538 00 991 562 538 00 1E0	Black trim for roof frame	right	1	
5	991 562 539 00 991 562 539 00 1E0	Trim Guide Black	left	1	
(5)	991 562 540 00 991 562 540 00 1E0	Trim Guide Black	right	1	
6	991 561 963 01	Set of fastening parts Roofliner Content Clip		1  10	

Model: 991-16

Model life 2017>>

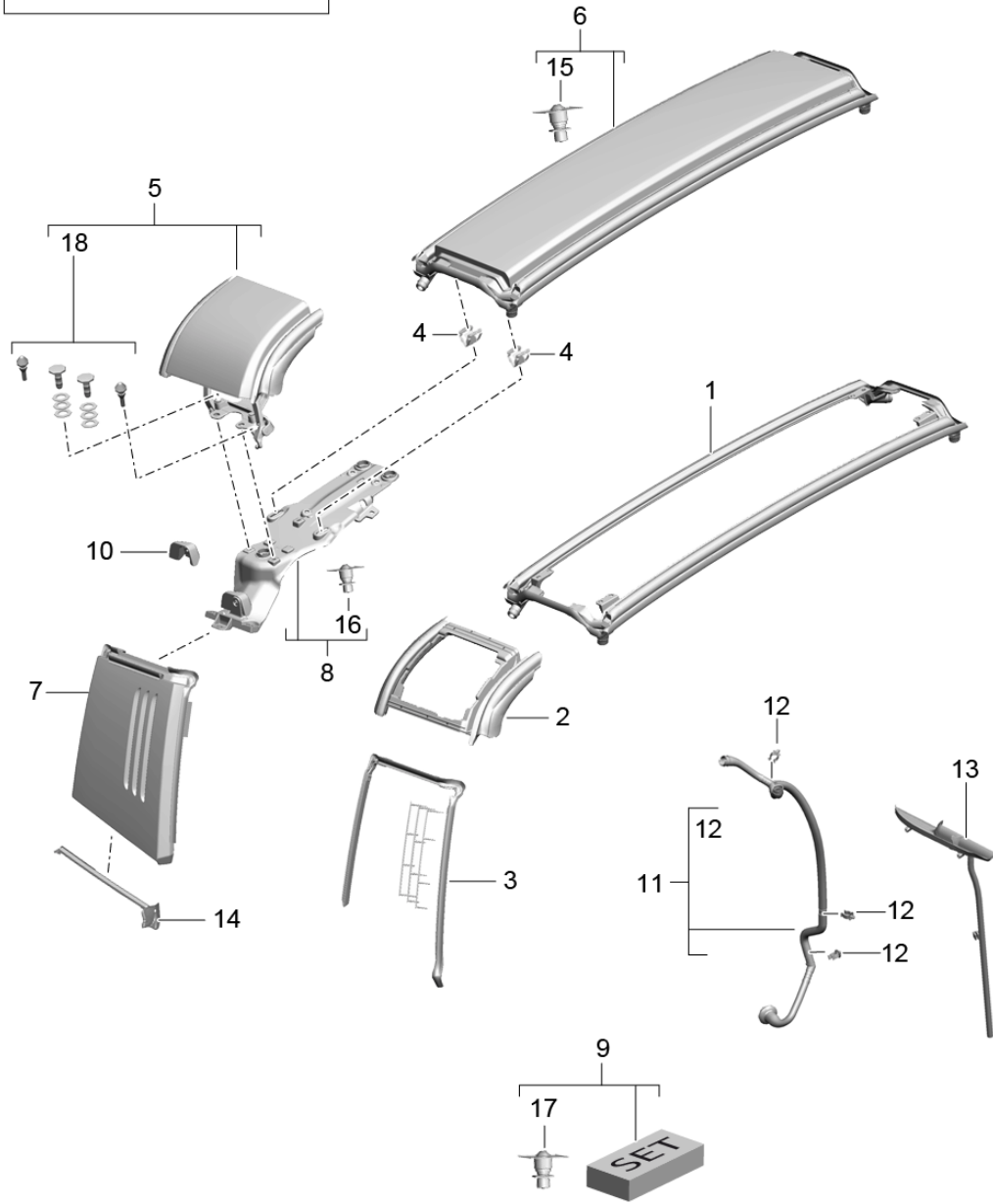
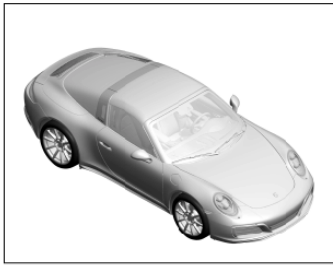


Model: 991-16 Model life 2017>>

Pos	Part Number	Description	Remark	Qty	Model
		Flap	side		Cabrio
1	991 561 479 00	Folding top		1	
	991 561 479 00 1E0	Bracket			
2	991 561 973 00	Black		1	
		repair set			
		Wire set			
3	991 561 975 00	also use:	991 561 936 00	1	
		repair set	left	1	
		Flap			
(3)	991 561 976 00	(complete)	right	1	
		repair set			
		Flap			
		(complete)			
4	991 561 977 00	repair set		1	
		guide tube			
		Actuator			
5	991 561 979 00	repair set		1	
		relay shaft			
6	991 624 115 00	Engine		1	
		with:			
7	999 507 033 01	Fastening screw		2	
		panel nut			
8	999 507 533 02	Clamp		X	
9	991 561 871 00	Rubber support	left	1	
		angled bracket			
		Windbreak			
(9)	991 561 872 00	Rubber support	right	1	
		angled bracket			
		Windbreak			
10	999 073 322 02	fillister hd. bolt		11	
11		Trim		1	
		Flap			
12	991 561 936 00	see illustration:	807-035	1	
		Clip			
		Hall sensor			
		Wire set			

Model: 991-16

Model life 2017>>



Model: 991-16 Model life 2017>>

Pos	Part Number	Description	Remark	Qty	Model
		Trim Targa			Targa
1	991 562 971 00	arm and Flap repair set	center	1	
		Seal			
2	991 562 973 00	Trim repair set	left	1	
		Seal			
(2)	991 562 974 00	Trim Flap repair set	right	1	
		Seal			
		Trim			
3	991 562 975 00	Flap repair set	left side	1	
		Seal			
		Trim			
(3)	991 562 976 00	repair set	right side	1	
		Seal			
		Trim			
(3)	9P1 898 182	repair set	right side	1	
		Seal			
		Trim			
4	991 562 977 00	1 set of retaining clips for	center	1	
		Trim			
5	991 562 981 01	repair set	left	1	
		Flap			
		with:			
		Guide and Bracket			
	991 562 981 01 OV2	Brilliant Grey			
	991 562 981 01 JE1	Matt black			
	991 562 981 01 OH9	White gold metallic			
(5)	991 562 982 01	repair set	right	1	
		Flap			
		with:			
		Guide and Bracket			
	991 562 982 01 OV2	Brilliant Grey			
	991 562 982 01 JE1	Matt black			
	991 562 982 01 OH9	White gold metallic			
6	991 562 985 01	repair set	center	1	
		Trim			
	991 562 985 01 OV2	Brilliant Grey			
	991 562 985 01 JE1	Matt black			
	991 562 985 01 OH9	White gold metallic			
7	991 562 983 01	repair set	left side	1	
		Trim			
	991 562 983 01 OV2	Brilliant Grey			
	991 562 983 01 JE1	Matt black			
	991 562 983 01 OH9	White gold metallic			
(7)	991 562 984 01	repair set	right side	1	
		Trim			
	991 562 984 01 OV2	Brilliant Grey			
	991 562 984 01 JE1	Matt black			
	991 562 984 01 OH9	White gold metallic			
8	991 562 987 01	repair set	left	1	
		Module			

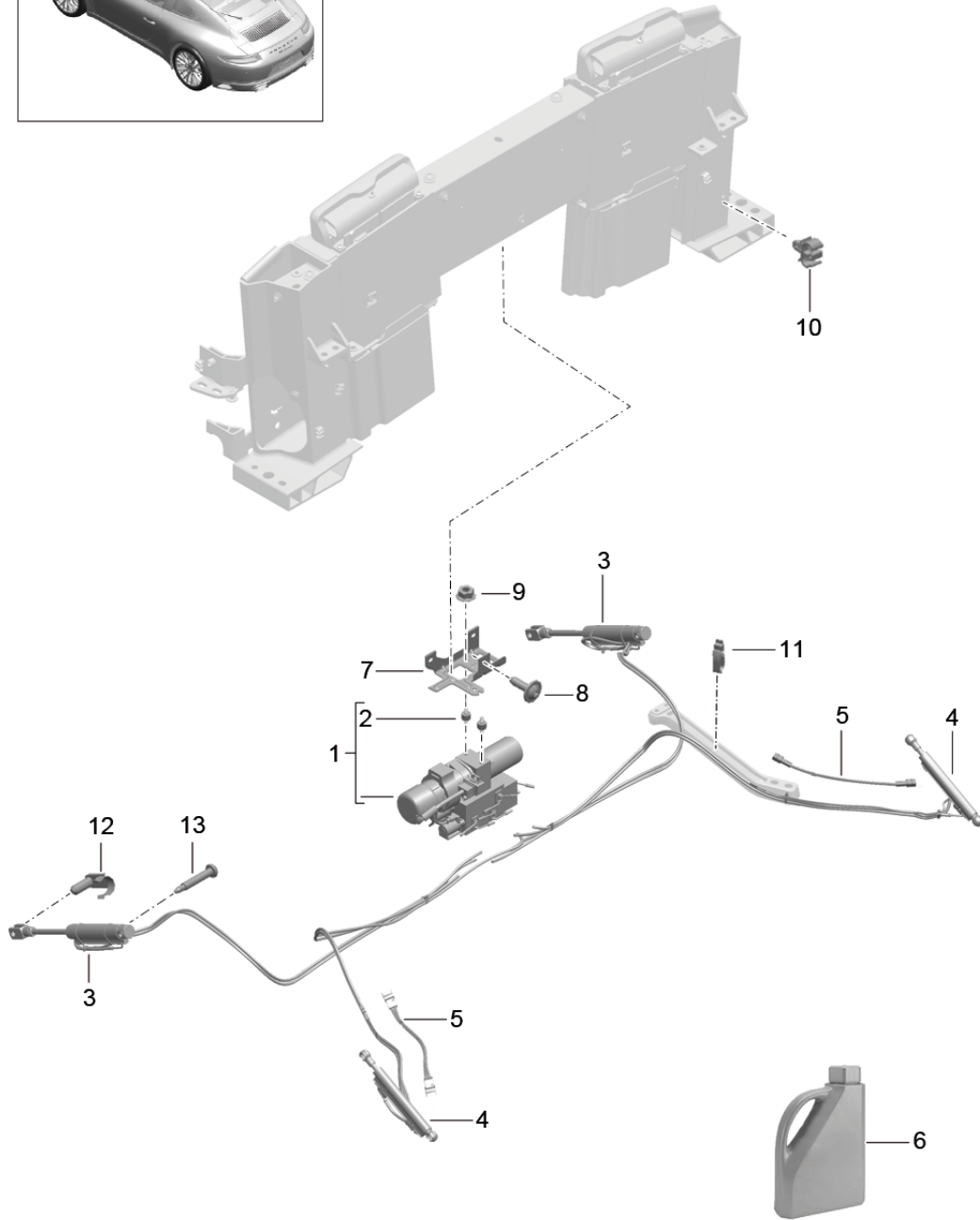
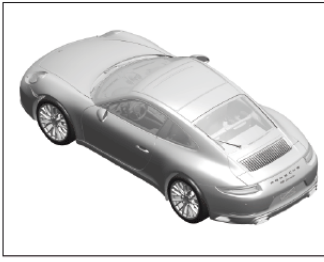


Model: 991-16 Model life 2017>>

Pos	Part Number	Description	Remark	Qty	Model
8	991 562 987 01 OV2 991 562 987 01	Carrier for Trim No longer use the part here Brilliant Grey repair set	left	1	
(8)	991 562 988 01	Module Carrier for Trim repair set	right	1	
(8)	991 562 988 01 OV2 991 562 988 01	Module Carrier for Trim No longer use the part here Brilliant Grey repair set	right	1	
9	991 562 990 00	Assembly kit		1	
10	991 562 991 00	Trim Repair set for stop buffer		1	
11	991 562 363 02	Thrust wedge Water drainage hose	left	1	
(11)	991 562 364 02	Water drainage hose	right	1	
12	999 507 280 40	Cable holder		3	
13	991 562 613 02	Sealing channel	left	1	
(13)	991 562 614 02	Hose Sealing channel	right	1	
14	991 562 475 03	Hose Seal	left outer	1	
(14)	991 562 475 03 03C 991 562 476 03	Rally black Seal	right outer	1	
15	991 562 476 03 03C 991 562 551 00	Rally black throttle control element for Trim	center	2	
16	991 562 552 00	throttle control element for Module Carrier for Trim		3	
17	991 562 550 00	throttle control element for Trim	side	4	
18	991 562 992 00	Repair set for stop buffer for Guide Bracket Flap		1	

Model: 991-16

Model life 2017>>



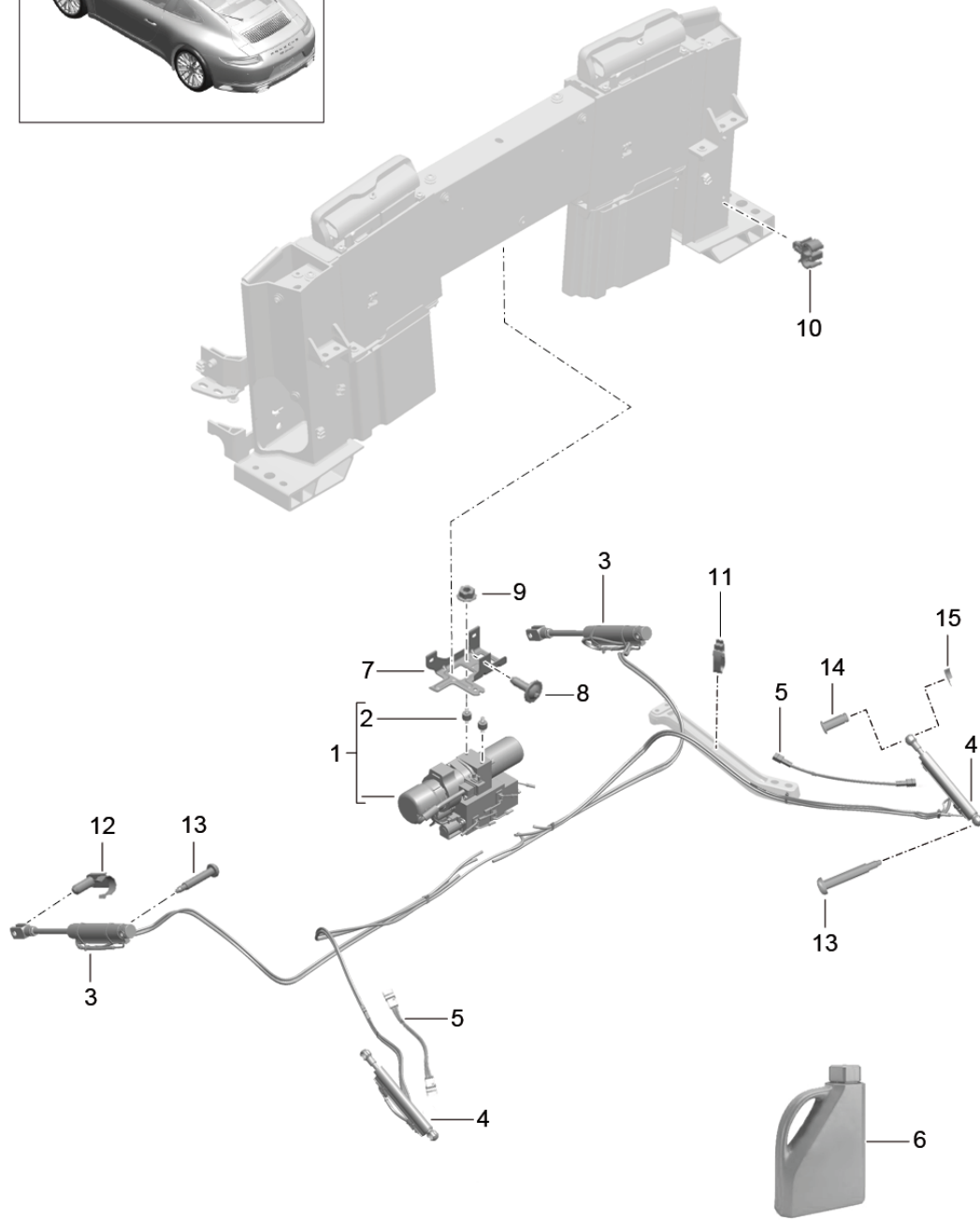
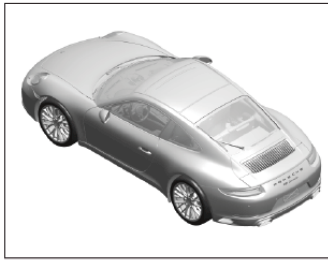
Model: 991-16

Model life 2017>>

Pos	Part Number	Description	Remark	Qty	Model
		Convertible top Driving mechanism			Cabrio
1	991 561 901 00	Hydraulic unit		1	
2	991 561 902 00	Set Bonded rubber buffer		1	
3	991 561 421 00	Hydraulic unit cylinder	left	1	
		Convertible top with:			
(3)	991 561 422 00	Hydraulic line cylinder	right	1	
		Convertible top with:			
4	991 561 423 01	Hydraulic line cylinder	left	1	
		Cover convertible top stowage box with:			
(4)	991 561 424 01	Hydraulic line cylinder	right	1	
		Cover convertible top stowage box with:			
5	991 606 321 01	Hydraulic line Hall sensor cylinder	left	1	
		Cover convertible top stowage box			
(5)	991 606 324 01	Hall sensor cylinder	right	1	
		Cover convertible top stowage box			
6	000 043 305 50	Oil		1	
7	991 561 617 00	250 ML Bracket		1	
8	999 073 322 02	Hydraulic unit fillister hd. bolt M6X20		X	
9	900 377 010 01	Hexagon nut M6		2	
10	999 507 799 40	Cable holder		X	
11	999 513 076 40	Cable ties 1,5-85		2	
12	999 166 094 01	Pin 10X20		2	
13	991 561 811 00	Threaded stud		2	

Model: 991-16

Model life 2017>>



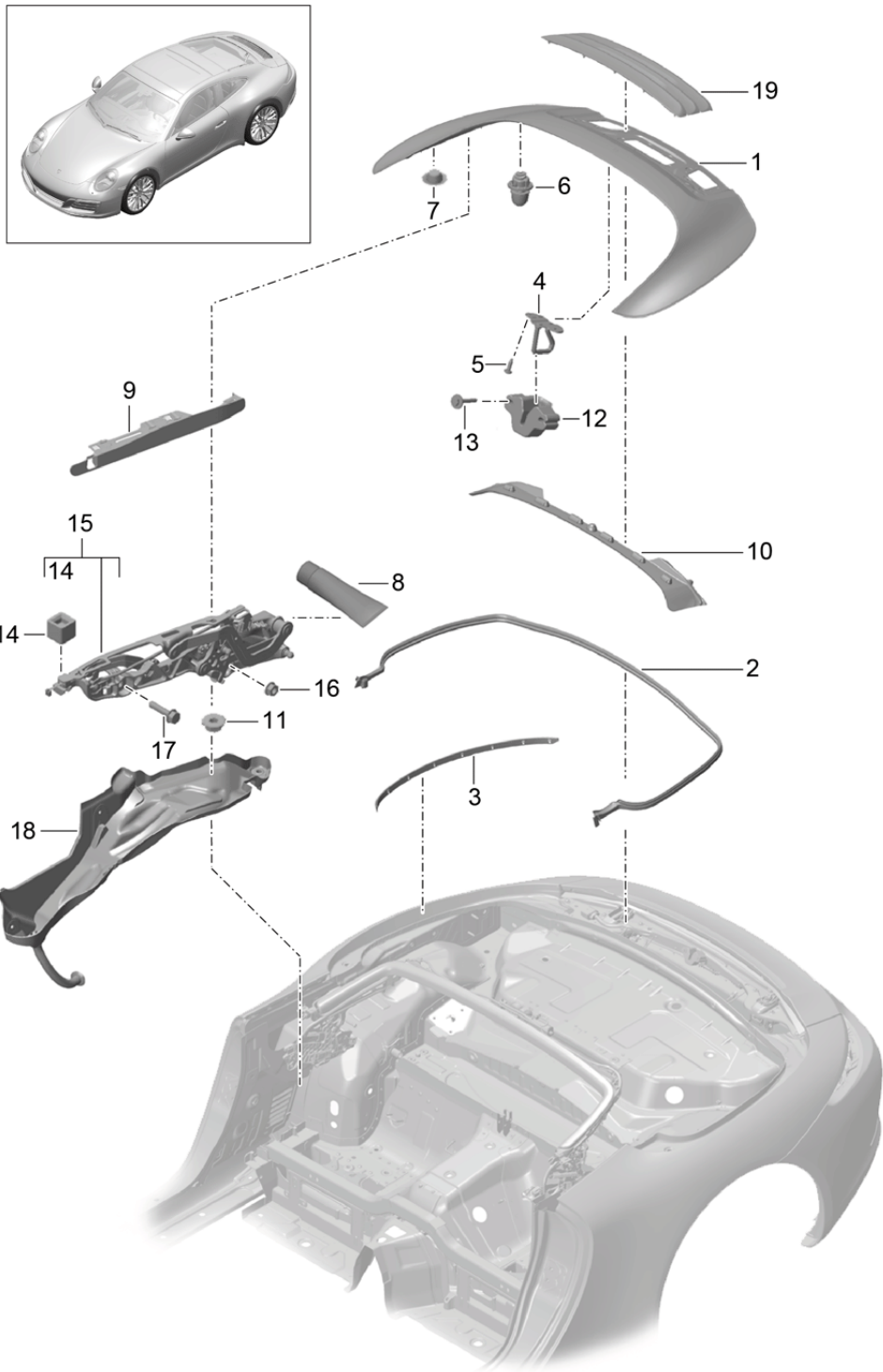
Model: 991-16

Model life 2017>>

Pos	Part Number	Description	Remark	Qty	Model
		Convertible top Driving mechanism			Targa
1	991 562 921 00	Hydraulic unit		1	
2	991 562 922 00	Set Bonded rubber buffer		1	
3	991 562 521 00	Hydraulic unit cylinder	left	1	
		Convertible top with:			
(3)	991 562 522 00	Hydraulic line cylinder	right	1	
		Convertible top with:			
4	991 562 523 00	Hydraulic line cylinder	left	1	
		Cover convertible top stowage box with:			
(4)	991 562 524 00	Hydraulic line cylinder	right	1	
		Cover convertible top stowage box with:			
5	991 562 525 00	Hydraulic line Hall sensor		2	
		Cover convertible top stowage box			
6	000 043 305 50	Oil 250 ML		1	
7	991 562 617 00	Bracket		1	
8	999 073 322 02	Hydraulic unit fillister hd. bolt		3	
		M6X20			
9	900 377 010 01	Hexagon nut M6		2	
10	999 507 799 40	Cable holder		X	
11	999 513 076 40	Cable ties 1,5-85		2	
12	999 166 094 01	Pin 10X20		2	
13	991 562 811 00	Threaded stud		2	
14	991 514 305 00	Pin		2	
15	991 514 307 00	fuse Pin		2	

Model: 991-16

Model life 2017>>



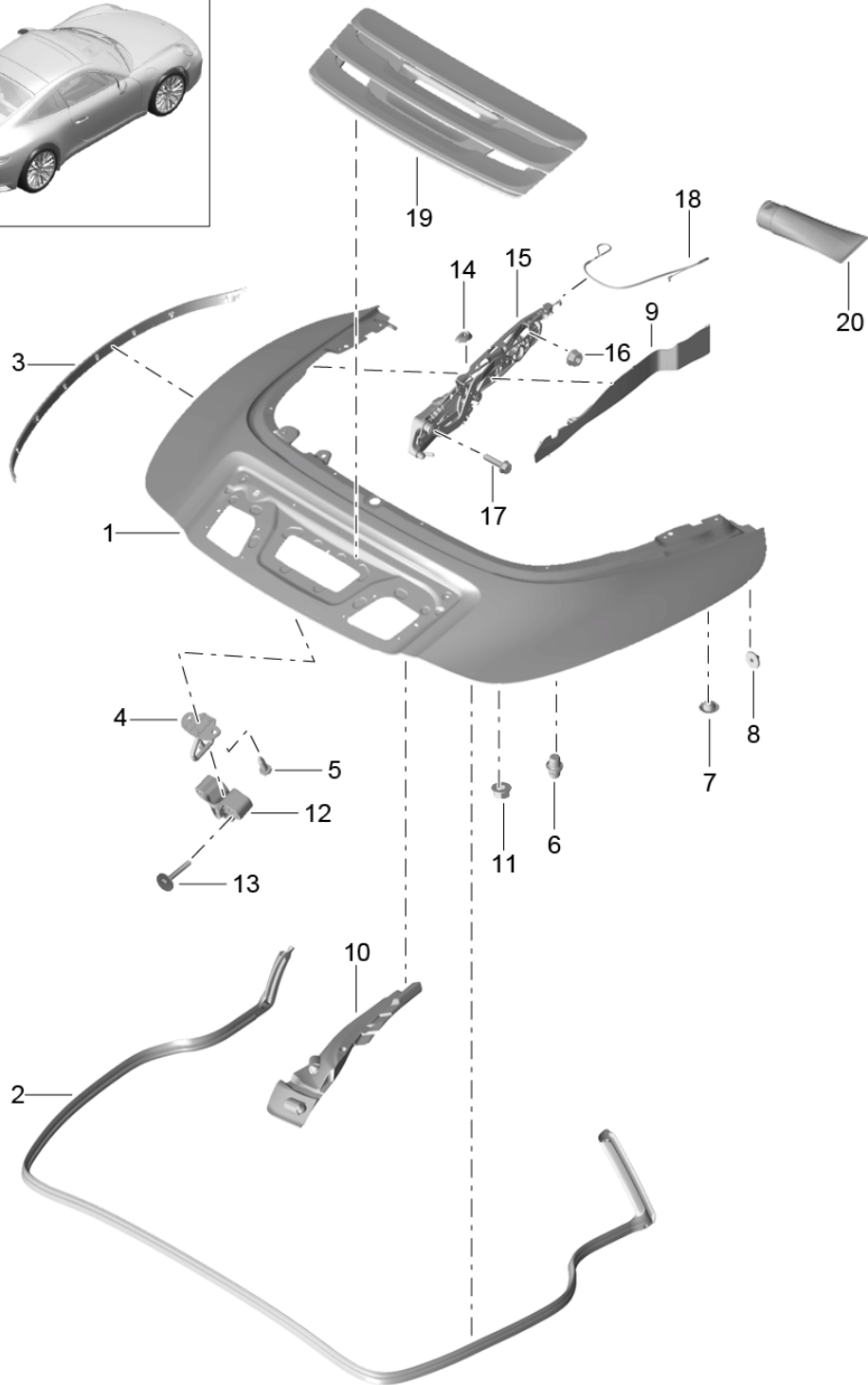
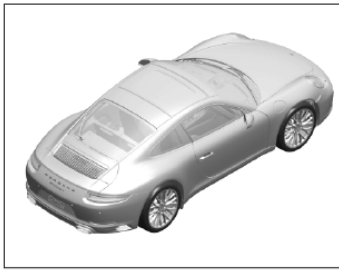
Model: 991-16

Model life 2017>>

Pos	Part Number	Description	Remark	Qty	Model
		convertible top stowage box Cover			Cabrio
1	991 514 011 20	cabrio top stowage box cover		1	PR:-QU8
	991 514 011 20 GRV	primed			
(1)	991 514 011 21	cabrio top stowage box cover		1	PR:QU8
	991 514 011 21 GRV	primed			
2	991 514 611 00	Seal Body		1	
3	991 514 631 04	Additional gasket	side left	1	
(3)	991 514 632 04	Additional gasket	side right	1	
4		Lock upper part see illustration:	803-005	1	
5	999 073 378 02	flat round head bolt		2	
6	8X0 827 499	stop buffer, adjustable		2	
7	999 703 462 40	End cap		4	
8	000 043 305 09	grease 1 tube for Hinge		1	
9	991 561 879 01	Hinge cover	left	1	
(9)	991 561 880 01	Hinge cover	right	1	
10	991 561 633 01	Foam part		1	
11	999 076 066 09	Hexagon nut M6		4	
12	991 561 673 01	Centring piece		1	
13	900 075 504 01	Bolt with washer M6X45		2	
14	991 561 677 00	Stop buffer Hinge		2	
15	991 561 907 01	Hinge	left	1	
(15)	991 561 908 01	Hinge	right	1	
16	900 377 003 03	Hexagon nut M8		4	
17	N 106 756 02	Hex collared bolt M8X35		2	
18	991 561 805 02	Water drip pan	left	1	
(18)	991 561 806 02	Water drip pan	right	1	
19		Ventilation grille see illustration:	803-005	1	

Model: 991-16

Model life 2017>>





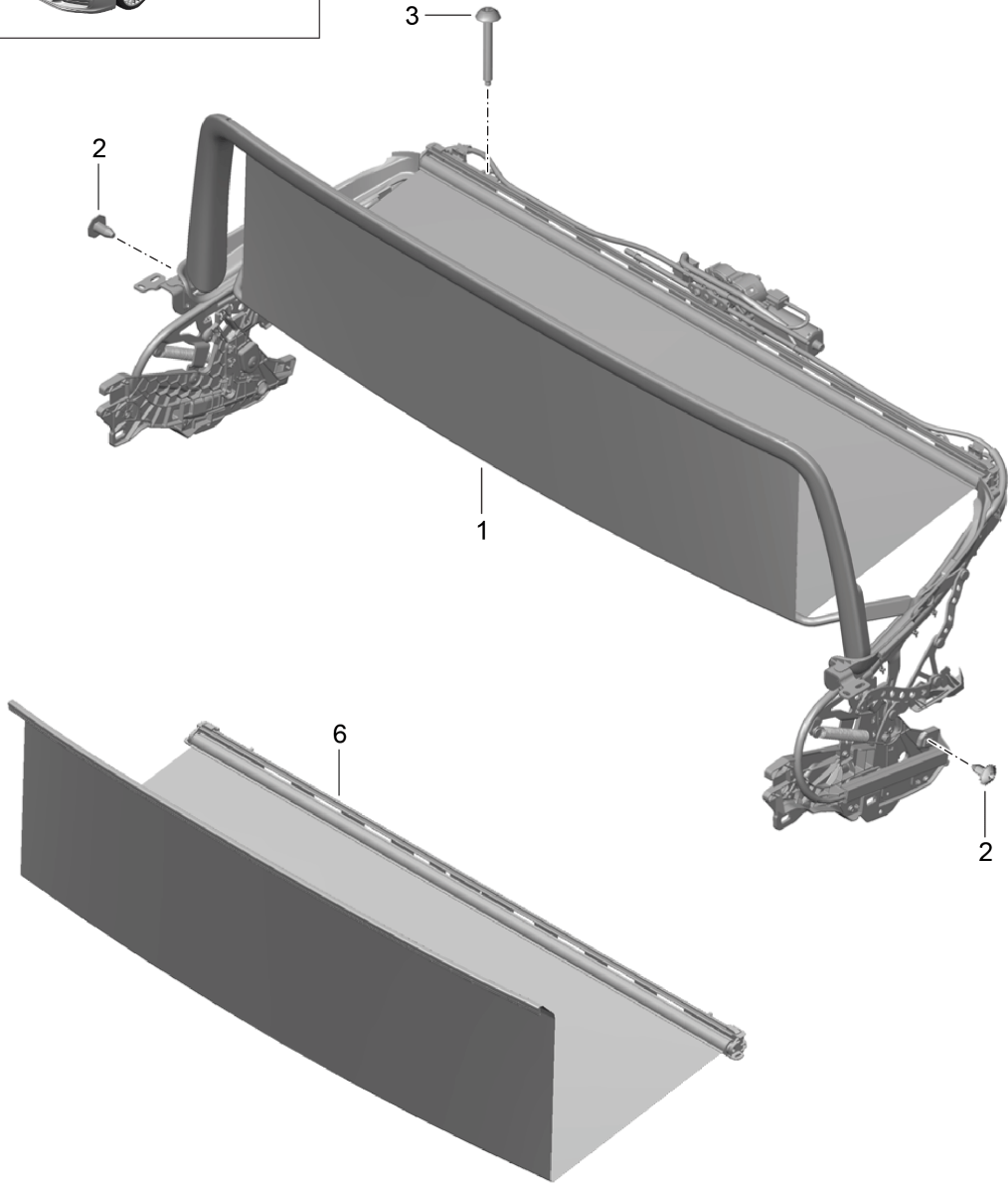
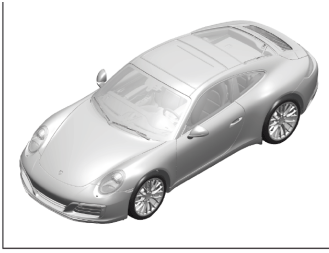
Model: 991-16

Model life 2017>>

Pos	Part Number	Description	Remark	Qty	Model
		convertible top stowage box Cover			Targa
1	991 514 013 20	cabrio top stowage box cover		1	PR:426
	991 514 013 20 GRV	primed			
(1)	991 514 013 21	cabrio top stowage box cover		1	PR:425
	991 514 013 21 GRV	primed			
2	991 514 611 04	Seal Body		1	
3	991 514 631 04	Additional gasket	side left	1	
(3)	991 514 632 04	Additional gasket	side right	1	
4		Lock upper part see illustration:	803-005	1	
5	999 073 378 02	flat round head bolt		2	
6	8X0 827 499	stop buffer, adjustable		2	
7	999 703 462 40	End cap		4	
8	999 703 421 40	Grommet		4	
9	991 562 879 01	Hinge cover	left	1	
(9)	991 562 880 01	Hinge cover	right	1	
(10)	991 562 633 02	Foam part	left	1	
(10)	991 562 634 02	Foam part	right	1	
11	900 377 003 03	Hexagon nut M8		6	
12	991 561 673 03	Centring piece		1	
13	900 075 504 01	Bolt with washer M6X45		2	
14	991 514 301 00	Stop buffer Hinge		4	
15	991 514 901 00	Hinge	left	1	
(15)	991 514 902 00	Hinge	right	1	
16	900 377 003 03	Hexagon nut M8		4	
17	N 106 756 02	Hex collared bolt M8X35		2	
18	991 514 303 01	Cable Emergency operation		2	
19		Ventilation grille see illustration:	803-005	1	
20	000 043 305 09	grease 1 tube for Hinge		1	

Model: 991-16

Model life 2017>>



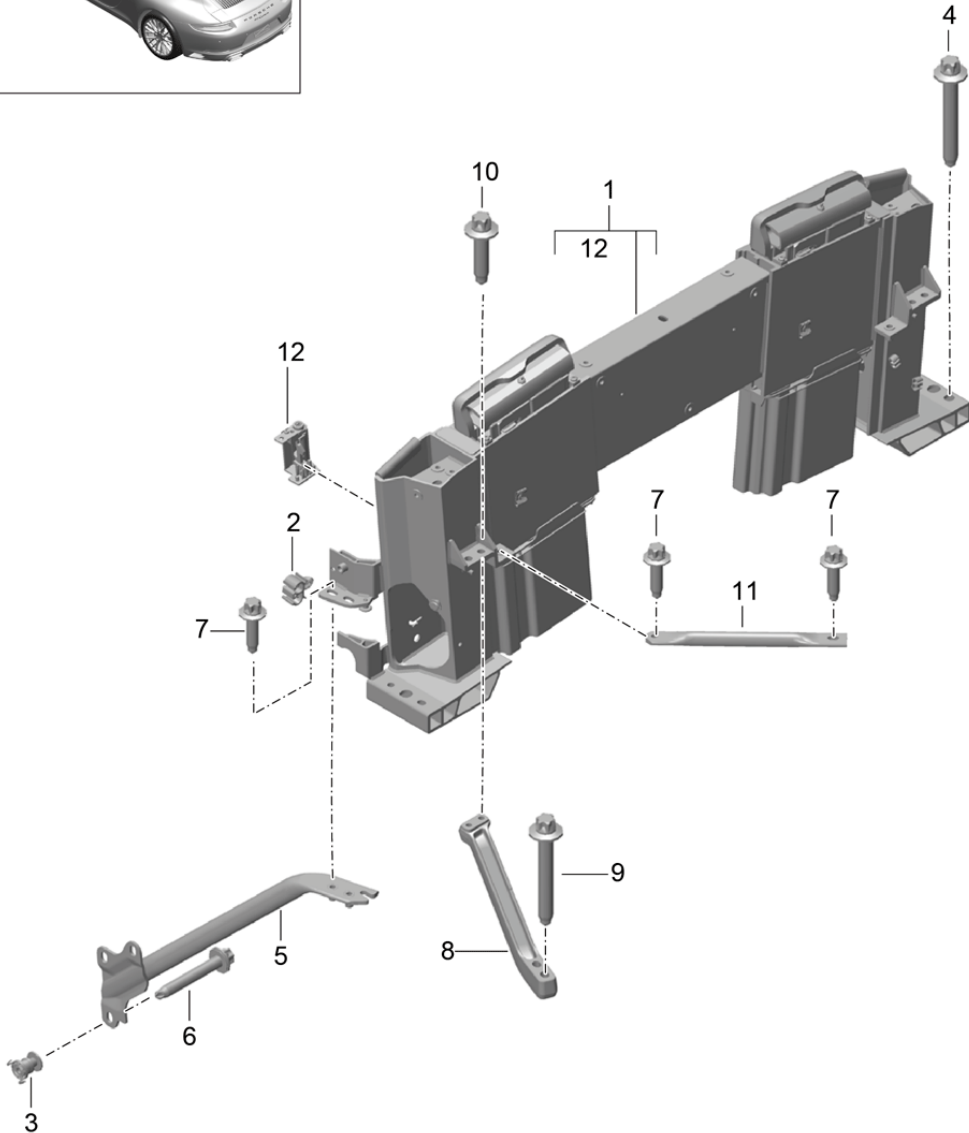
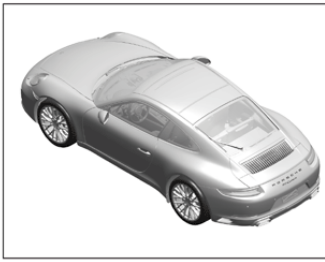
Model: 991-16

Model life 2017>>

Pos	Part Number	Description	Remark	Qty	Model
		Windbreak Electric			PR:552
1	991 561 125 05	Windbreak (complete)		1	
	991 561 125 05 1E0	Black			
2	999 073 322 02	fillister hd. bolt M6X20		4	
3	999 073 478 01	fillister hd. bolt M6X50		2	
6	991 561 931 02	repair set roller blind		1	

Model: 991-16

Model life 2017>>



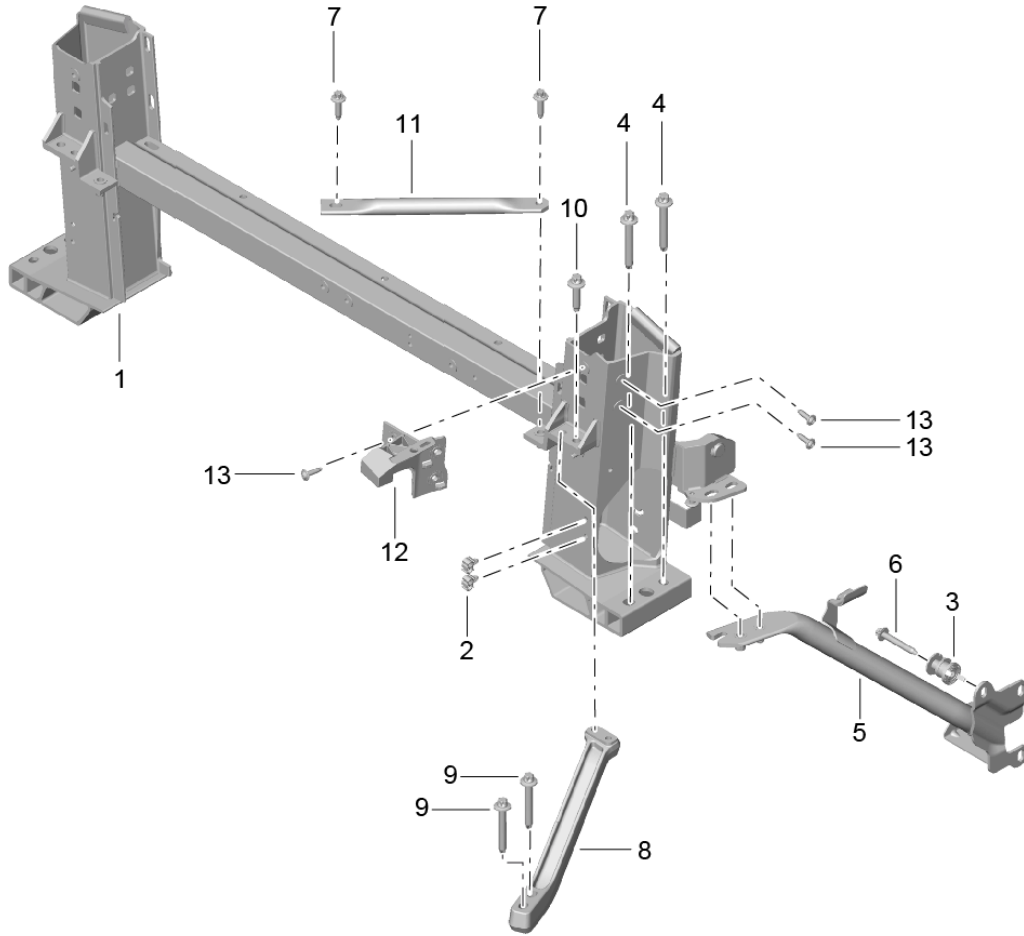
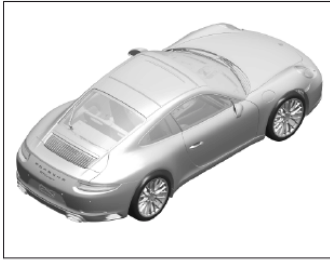
Model: 991-16

Model life 2017>>

Pos	Part Number	Description	Remark	Qty	Model
1	991 580 011 05	roll bar retaining frame		1	Cabrio
		with:			
		Ignition for Cassette			
2	999 507 799 40	Cable holder		6	
3	991 580 353 00	compensation washer		2	
4	900 385 159 01	Hexagon head bolt M10 X 70		4	
5	991 580 351 01	Brace	left front	1	
(5)	991 580 352 01	Brace	right front	1	
6	900 385 166 01	Outer hexagon round screw M8 X 55		2	
(6)	999 385 006 01	Outer hexagon round screw M10 X 35		4	
7	900 385 278 01	Outer hexagon round screw M8 X 30		8	
8	991 580 331 00	Support	left	1	
(8)	991 580 332 00	Support	right	1	
9	900 385 159 01	Hexagon head bolt M10 X 70		4	
10	900 385 285 01	Outer hexagon round screw M10 X 40		4	
11	991 580 341 00	Brace	rear	2	
12	991 580 921 00	repair set Ignition Cassette		1	

Model: 991-16

Model life 2017>>



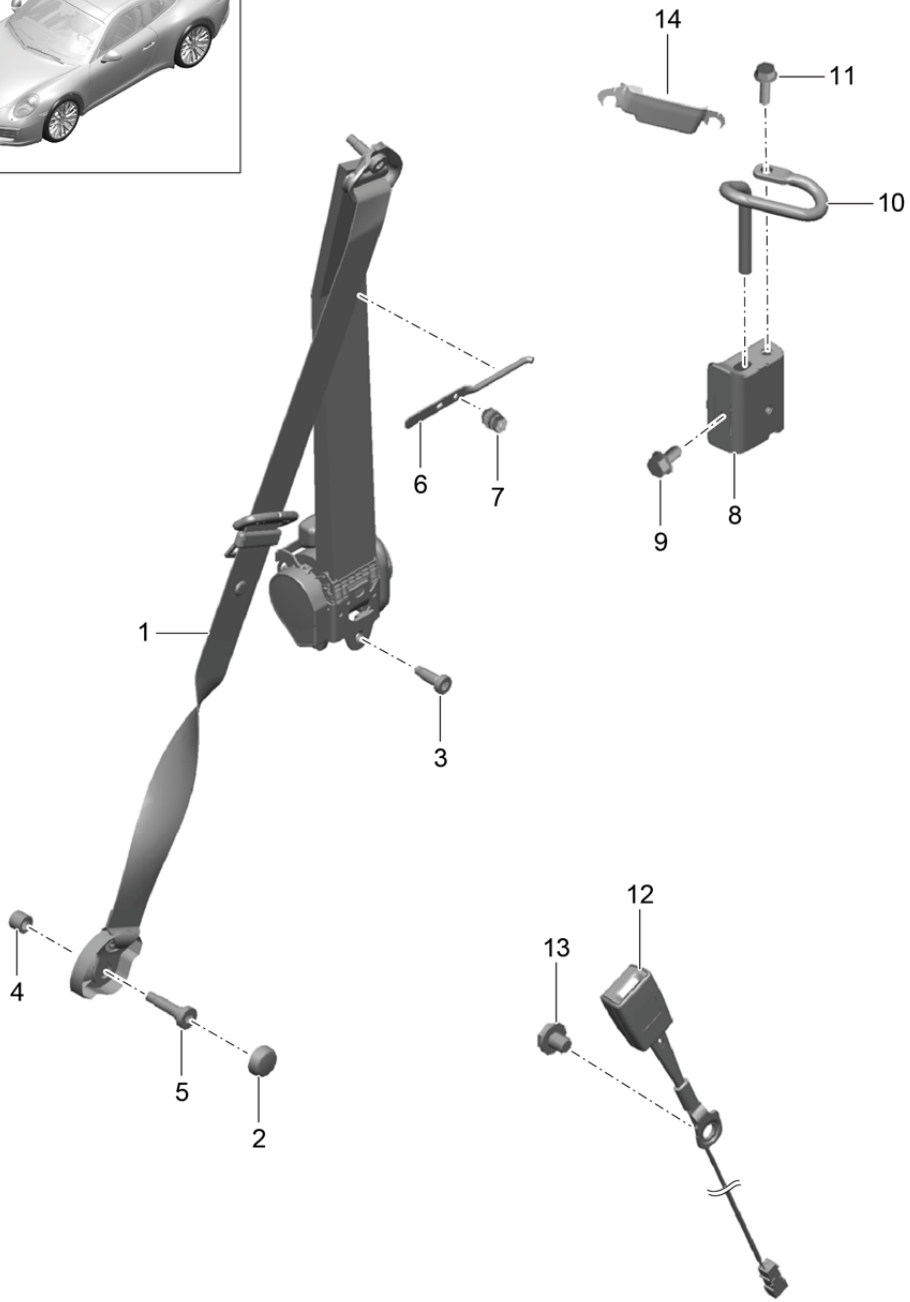
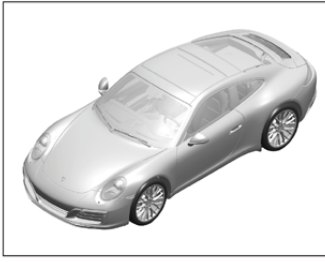
Model: 991-16

Model life 2017>>

Pos	Part Number	Description	Remark	Qty	Model
		retaining frame and Accessories			Targa
1	991 562 123 02	retaining frame		1	
2	999 507 799 40	Cable holder		4	
3	991 580 353 00	compensation washer		2	
4	900 385 159 01	Hexagon head bolt M10 X 70		4	
5	991 562 351 01	Brace	left	1	
(5)	991 562 352 01	Brace	front right front	1	
6	900 385 166 01	Outer hexagon round screw M8 X 55		2	
(6)	999 385 006 01	Outer hexagon round screw M10 X 35		4	
7	900 385 278 01	Outer hexagon round screw M8 X 30		8	
8	991 580 331 00	Support	left	1	
(8)	991 580 332 00	Support	right	1	
9	900 385 159 01	Hexagon head bolt M10 X 70		4	
10	900 385 285 01	Outer hexagon round screw M10 X 40		4	
11	991 580 341 00	Brace	rear	2	
12	991 562 463 00	shelf	left	1	
(12)	991 562 464 00	Convertible top shelf	right	1	
13	N 909 699 01	Convertible top Hex socket head locating bolt shelf Convertible top M6X25		6	

Model: 991-16

Model life 2017>>



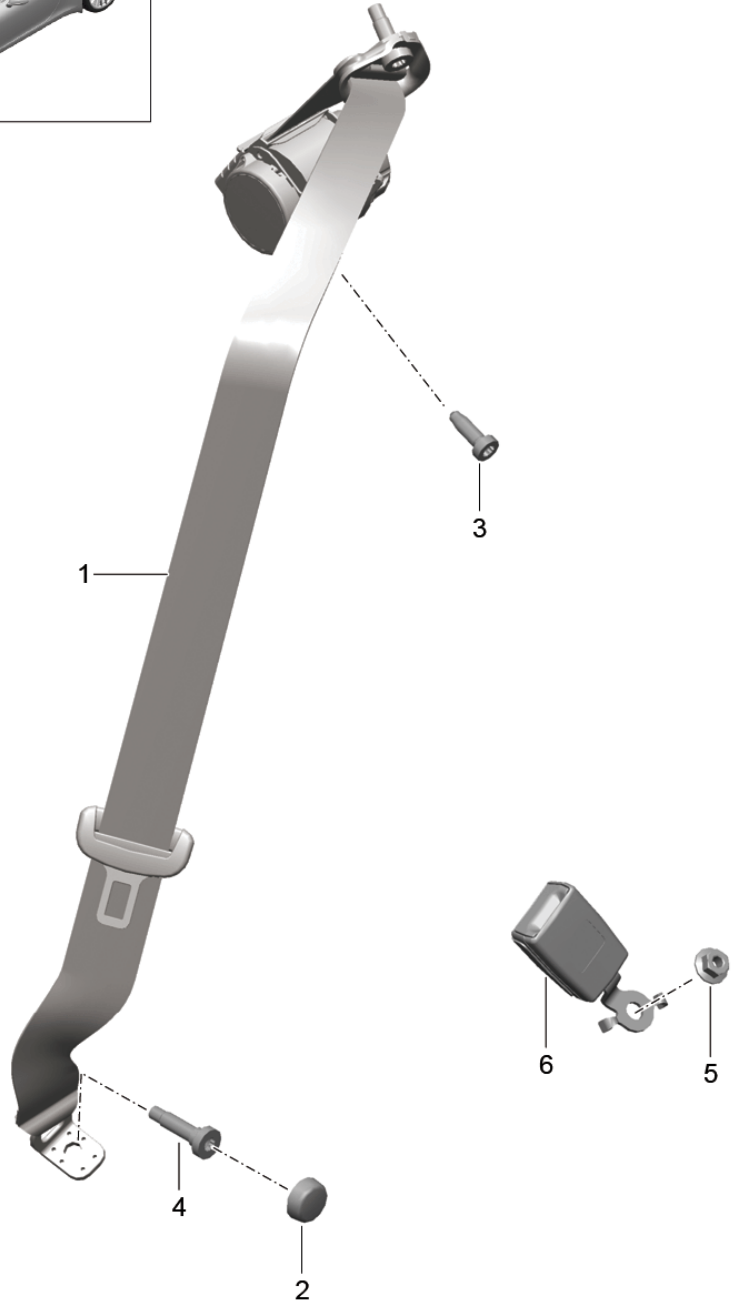
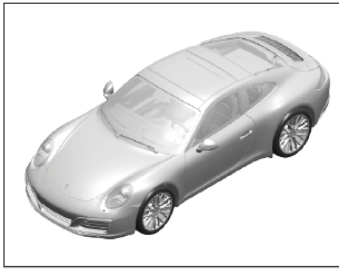


Model: 991-16 Model life 2017>>

Pos	Part Number	Description	Remark	Qty	Model
1	991 803 033 04	Three-point safety belt	front	2	COUPE/TARGA
	991 803 033 04 A23	Black			PR:555
	991 803 033 04 1S1	Racing Yellow			PR:XHN
	991 803 033 04 62S	Luxor beige			PR:XHP
	991 803 033 04 U01	silver			PR:XSH
	991 803 033 04 N13	guards red (Porsche)			PR:XSX
	991 803 033 04 OG6	Bordeaux red			PR:XHU
	991 803 033 04 M3C	Carmine red			PR:557
	991 803 033 04 M7U	Rhodium Silver Metallic			PR:557
(1)	991 803 033 05	Three-point safety belt	left	1	CABRIO
	991 803 033 05 A23	Black			PR:555
	991 803 033 05 1S1	Racing Yellow			PR:XHN
	991 803 033 05 62S	Luxor beige			PR:XHP
	991 803 033 05 U01	silver			PR:XSH
	991 803 033 05 N13	guards red (Porsche)			PR:XSX
	991 803 033 05 OG6	Bordeaux red			PR:XHU
	991 803 033 05 M3C	Carmine red			PR:557
	991 803 033 05 M7U	Rhodium Silver Metallic			PR:557
(1)	991 803 034 04	Three-point safety belt	right	1	CABRIO
	991 803 034 04 A23	Black			PR:555
	991 803 034 04 1S1	Racing Yellow			PR:XHN
	991 803 034 04 62S	Luxor beige			PR:XHP
	991 803 034 04 U01	silver			PR:XSH
	991 803 034 04 N13	guards red (Porsche)			PR:XSX
	991 803 034 04 OG6	Bordeaux red			PR:XHU
	991 803 034 04 M3C	Carmine red			PR:557
	991 803 034 04 M7U	Rhodium Silver Metallic			PR:557
2	991 803 295 00	Cover cap		2	
3	N 989 261 02	Socket head bolt with inner multipoint head		2	
		7/16-20UNF			
4	999 924 064 03	spacer bush		2	
5	9A7 007 755 00	Socket head bolt		2	
6	991 803 825 01	Deflection angle		2	COUPE/TARGA
		Belt			
7	999 516 032 01	Hexagon nut		2	
		Mount			
		Deflection angle			
8	991 803 581 00	Support	left	1	CABRIO
(8)	991 803 582 00	Support	right	1	CABRIO
9	900 378 074 01	Hexagon bolt		2	CABRIO
		M8X16			
10	991 803 815 01	Deflection angle	left	1	CABRIO
(10)	991 803 816 01	Deflection angle	right	1	CABRIO
11	N 106 296 02	Hex collared bolt		2	CABRIO
		M10X35			
12	991 803 183 00	Belt latch	lhd	1	PR:098
		(drivers side)			
(12)	991 803 183 05	Belt latch	rhd	1	PR:099
		(passenger side)			
(12)	991 803 184 06	Belt latch	lhd	1	PR:098,-560
		(passenger side)			
(12)	991 803 184 02	Belt latch	rhd	1	PR:099
		(drivers side)			
13	999 218 101 02	Hexagon bolt		2	
		7/16-20UNF			
		Mount			
		Belt latch			
14	991 803 835 01	Guide	left	1	CABRIO
		Seat belt			
(14)	991 803 836 01	Guide	right	1	CABRIO
		Seat belt			

Model: 991-16

Model life 2017>>

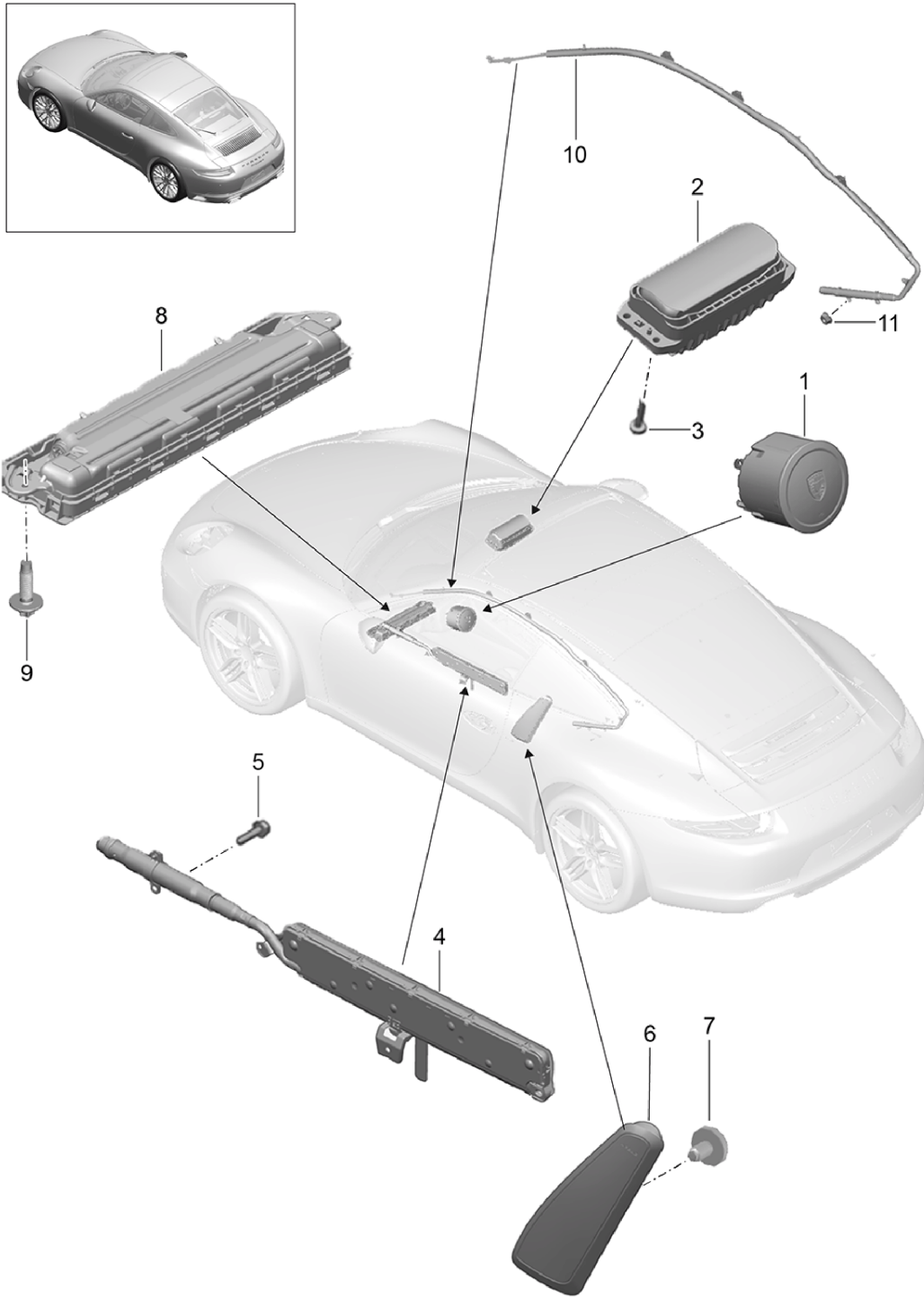


Model: 991-16 Model life 2017>>

Pos	Part Number	Description	Remark	Qty	Model
1	991 803 035 04	Seat belt	rear	2	COUPE PR:555 PR:XHN PR:XHP PR:XSH PR:XSX PR:XHU PR:557 PR:557
	991 803 035 04 A23	Three-point safety belt			
	991 803 035 04 1S1	Black			
	991 803 035 04 62S	Racing Yellow			
	991 803 035 04 U01	Luxor beige			
	991 803 035 04 M7U	silver			
	991 803 035 04 N13	guards red (Porsche)			
	991 803 035 04 OG6	Bordeaux red			
	991 803 035 04 M3C	Carmine red			
	991 803 035 04 M7U	Rhodium Silver Metallic			
(1)	991 803 035 09	Three-point safety belt	left	1	
	991 803 035 09 A23	Black			
	991 803 035 09 1S1	Racing Yellow			
	991 803 035 09 62S	Luxor beige			
	991 803 035 09 U01	silver			
	991 803 035 09 N13	guards red (Porsche)			
	991 803 035 09 OG6	Bordeaux red			
	991 803 035 09 M3C	Carmine red			
	991 803 035 09 M7U	Rhodium Silver Metallic			
(1)	991 803 036 06	Three-point safety belt	right	1	
	991 803 036 06 A23	Black			
	991 803 036 06 1S1	Racing Yellow			
	991 803 036 06 62S	Luxor beige			
	991 803 036 06 U01	silver			
	991 803 036 06 N13	guards red (Porsche)			
	991 803 036 06 OG6	Bordeaux red			
	991 803 036 06 M3C	Carmine red			
	991 803 036 06 M7U	Rhodium Silver Metallic			
2	991 803 295 00	Cover cap		2	
3	N 989 261 02	Socket head bolt with inner multipoint head		2	
4	N 989 258 01	7/16-20UNF Socket head bolt with inner multipoint head		2	
5	N 910 262 01	7/16-20UNF Hexagon collar nut		2	
6	991 803 185 00	M10 Belt latch	left	1	
(6)	991 803 186 00	Belt latch	right	1	

Model: 991-16

Model life 2017>>



Model: 991-16

Model life 2017>>

Pos	Part Number	Description	Remark	Qty	Model
1	9P1 880 201 F	Airbag Airbag unit (drivers side)		1	PR:-991
	9P1 880 201 F 5Q0	Black			
	9P1 880 201 F OA6	agate grey			
	9P1 880 201 F 6W0	Luxor beige			
(1)	9P1 880 201 L	Airbag unit (drivers side) Leather		1	PR:991
	9P1 880 201 L A34	Black			
	9P1 880 201 L OE5	agate grey			
	9P1 880 201 L 9J9	Luxor beige			
	9P1 880 201 L OH7	Graphite Blue			
	9P1 880 201 L 6H6	Espresso			
	9P1 880 201 L OK6	saddle brown			
	9P1 880 201 L OG6	Bordeaux red			
2	991 803 071 00	Airbag unit (passenger side)		1	
3	N 911 859 01	Hexagon socket flat head bolt Airbag unit (passenger side)		4	
4	991 803 091 01	Head airbag unit Door	left	1	
(4)	991 803 092 01	Head airbag unit Door	right	1	
5	N 911 087 01	Hexagon collared bolt with multi-point socket head (duo) M6X25		4	
6	991 803 081 01	Side airbag unit Seat	left	1	
	991 803 081 01 5Q0	Black	-AG,AJ,AQ,AZ		
	991 803 081 01 OA6	agate grey	-FG,FJ,FQ,FZ		
	991 803 081 01 D20	silver grey metallic	-GF,GG,GQ,GR, GW,GY,AJ,FJ, UJ,AQ,FQ,UQ, AZ,FZ,HZ,SZ, UZ,LZ,BT,BM, BG,TD,TG,NE, BY		
	991 803 081 01 6W0	Luxor beige	-UG,UJ,UQ,UZ, BT		
	991 803 081 01 OH7	Graphite Blue	-HZ		
	991 803 081 01 OL7	saddle brown	-SZ		
	991 803 081 01 OG6	Bordeaux red	-LZ,BM		
	991 803 081 01 OL8	Chalk	-BG		
	991 803 081 01 3T0	Espresso	-NE		
	991 803 081 01 2S0	Cognac	-BY		
(6)	991 803 082 01	Side airbag unit Seat	right	1	
	991 803 082 01 5Q0	Black	-AG,AJ,AQ,AZ		
	991 803 082 01 OA6	agate grey	-FG,FJ,FQ,FZ		
	991 803 082 01 D20	silver grey metallic	-GF,GG,GQ,GR, GW,GY,AJ,FJ, UJ,AQ,FQ,UQ, AZ,FZ,HZ,SZ, UZ,LZ,BT,BM, BG,TD,TG,NE, BY		
	991 803 082 01 6W0	Luxor beige	-UG,UJ,UQ,UZ, BT		
	991 803 082 01 OH7	Graphite Blue	-HZ		
	991 803 082 01 OL7	saddle brown	-SZ		

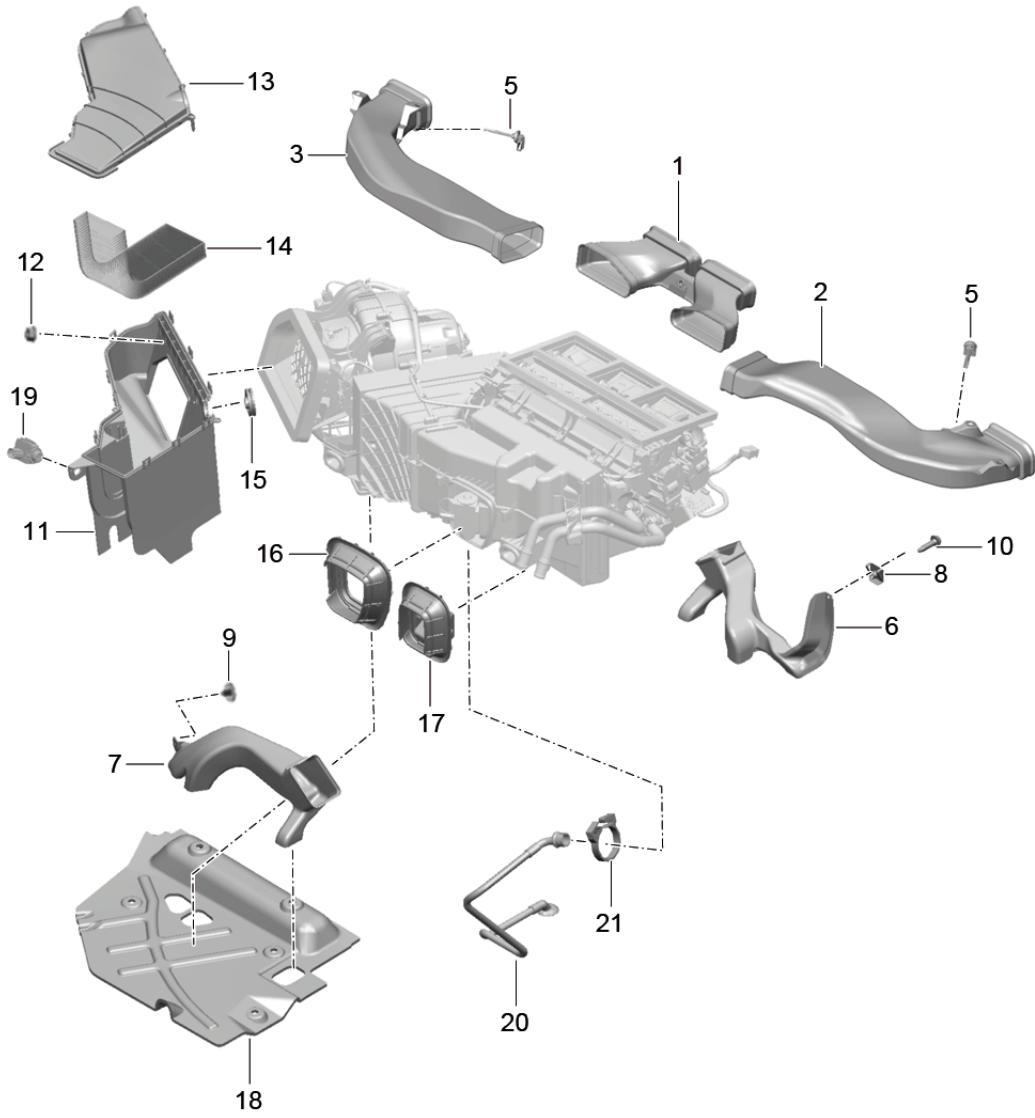
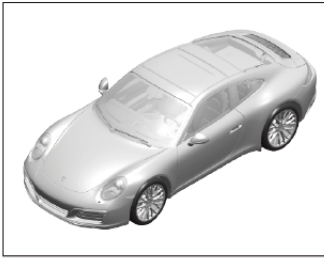
Model: 991-16

Model life 2017>>

Pos	Part Number	Description	Remark	Qty	Model
7	991 803 082 01 OG6	Bordeaux red	-LZ, BM	4	
	991 803 082 01 OL8	saddle brown	-BG		
	991 803 082 01 3T0	Espresso	-NE		
	991 803 082 01 2S0	Cognac	-BY		
	999 073 306 09	Screw			
		Side airbag unit			
	Seat				
		M6X10			

Model: 991-16

Model life 2017>>



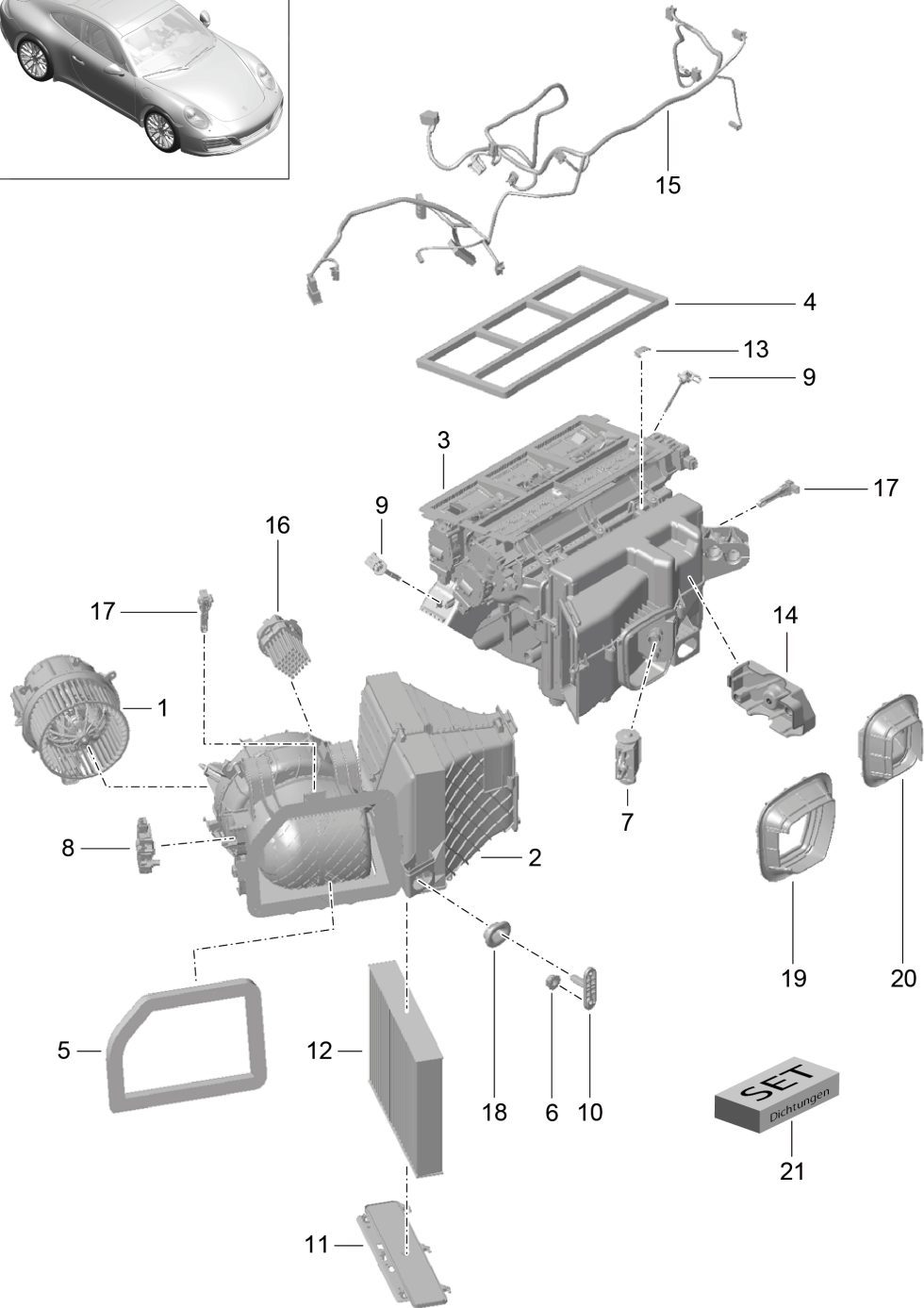
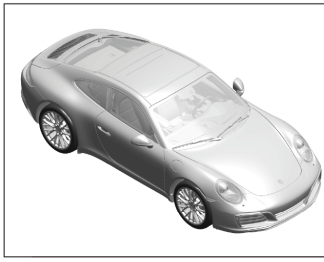
Model: 991-16 Model life 2017>>

Pos	Part Number	Description	Remark	Qty	Model
1	991 572 769 01	Air guide	center	1	
2	991 572 463 02	Air distributor Air guide	left lhd	1	PR:098
(2)	991 572 463 03	Air guide	side left rhd	1	PR:099
3	991 572 464 02	Air guide	side right lhd	1	PR:098
(3)	991 572 464 03	Air guide	side right rhd	1	PR:099
5	970 653 253 00	Temperature sensor		2	PR:573
6	991 572 693 00	Footwell outlet vent (drivers side)	lhd	1	PR:098
(6)	991 572 694 00	Footwell outlet vent (drivers side)	rhd	1	PR:099
7	991 572 794 02	Footwell outlet vent (passenger side)	lhd	1	PR:098
(7)	991 572 793 02	Footwell outlet vent (passenger side)	rhd	1	PR:099
8	999 507 556 01	panel nut M 5		1	
9	1H0 819 943	round hd. screw (passenger side)	lower	1	
10	999 073 498 01	Air guide fillister hd. bolt M5X20 (drivers side)		1	
11	991 572 072 01	Lower part Air intake	lhd	1	PR:098
(11)	991 572 071 00	Lower part Air intake	rhd	1	PR:099
12	900 377 018 09	Hexagon nut M6		2	
13	991 572 272 01	Cover Air intake	lhd	1	PR:098
(13)	991 572 271 00	Cover Air intake	rhd	1	PR:099
14	991 572 371 00	Air filter Air intake		1	
15	991 572 471 01	Grommet Air intake		1	
16	991 573 769 01	Grommet Firewall Expansion valve		1	PR:572,573
17	991 572 263 01	Seal Cross panel Heater pipeline		1	
18		Trim Cold air Cover		1	
19	7PP 907 659	Sensor		1	
20	991 573 794 00	water drain pipe		1	PR:572,573
21	999 512 418 40	Hose clamp 22,7-24,7		1	PR:572,573



Model: 991-16

Model life 2017>>

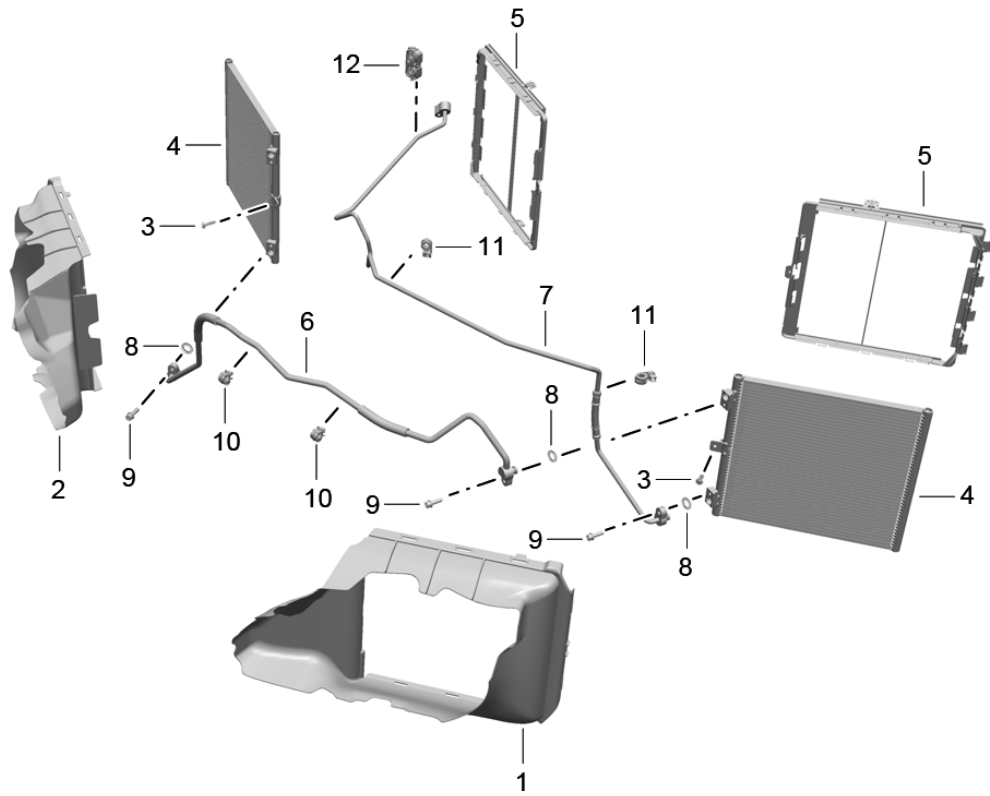
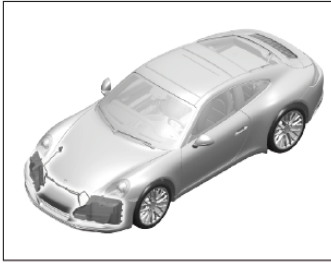


Model: 991-16 Model life 2017>>

Pos	Part Number	Description	Remark	Qty	Model
1	991 573 922 00	Air conditioner and Individual parts			
(1)	991 573 922 01	Fan	lhd	1	PR:098
2	991 573 912 06	Fan	rhd	1	PR:099
		blower housing (complete)	lhd	1	PR:098
		with:			
(2)	991 573 912 07	Engine blower housing (complete)	rhd	1	PR:099
		with:			
3	991 573 914 08	Engine Junction	lhd	1	PR:098,573
(3)	991 573 914 09	Junction	rhd	1	PR:099,573
4	991 573 851 00	Sealing frame		1	
5	991 573 850 00	Air distributor Seal	lhd	1	PR:098
(5)	991 573 849 00	Fan Seal	rhd	1	PR:099
6	900 377 018 09	Fan Hexagon nut M6		X	
7	991 573 921 00	Expansion valve R134A		1	
		also use:			
(7)	991 573 921 01	POS. 21 Expansion valve R1234YF		1	
		also use:			
8	991 624 425 03	POS. 21 Servomotor 2-zone		6	
9	970 653 253 00	Temperature sensor		2	
10	991 572 481 00	Temperature sensor Bracket		1	
11	991 573 916 00	Air conditioner Cover for Filter		1	
12	991 573 623 00	Passenger compart. filter		1	
13	928 570 423 00	Tensioning spring		3	
14	991 573 913 00	blower housing pipe holder	rhd	1	PR:099
15	9P3 971 565	Wire set	lhd	1	PR:098,573
(15)	9P4 971 565	Wire set	rhd	1	PR:099,573
16	991 624 423 01	governor for Fan		1	PR:573
17	970 653 257 00	Temperature sensor for evaporator		2	
18	991 572 875 00	Grommet		2	
19	991 573 769 01	Air conditioner Grommet		1	PR:573
20	991 572 263 01	Firewall Expansion valve Seal		1	
21	8K0 820 261	Firewall Heater pipeline Gasket set Expansion valve		1	

Model: 991-16

Model life 2017>>



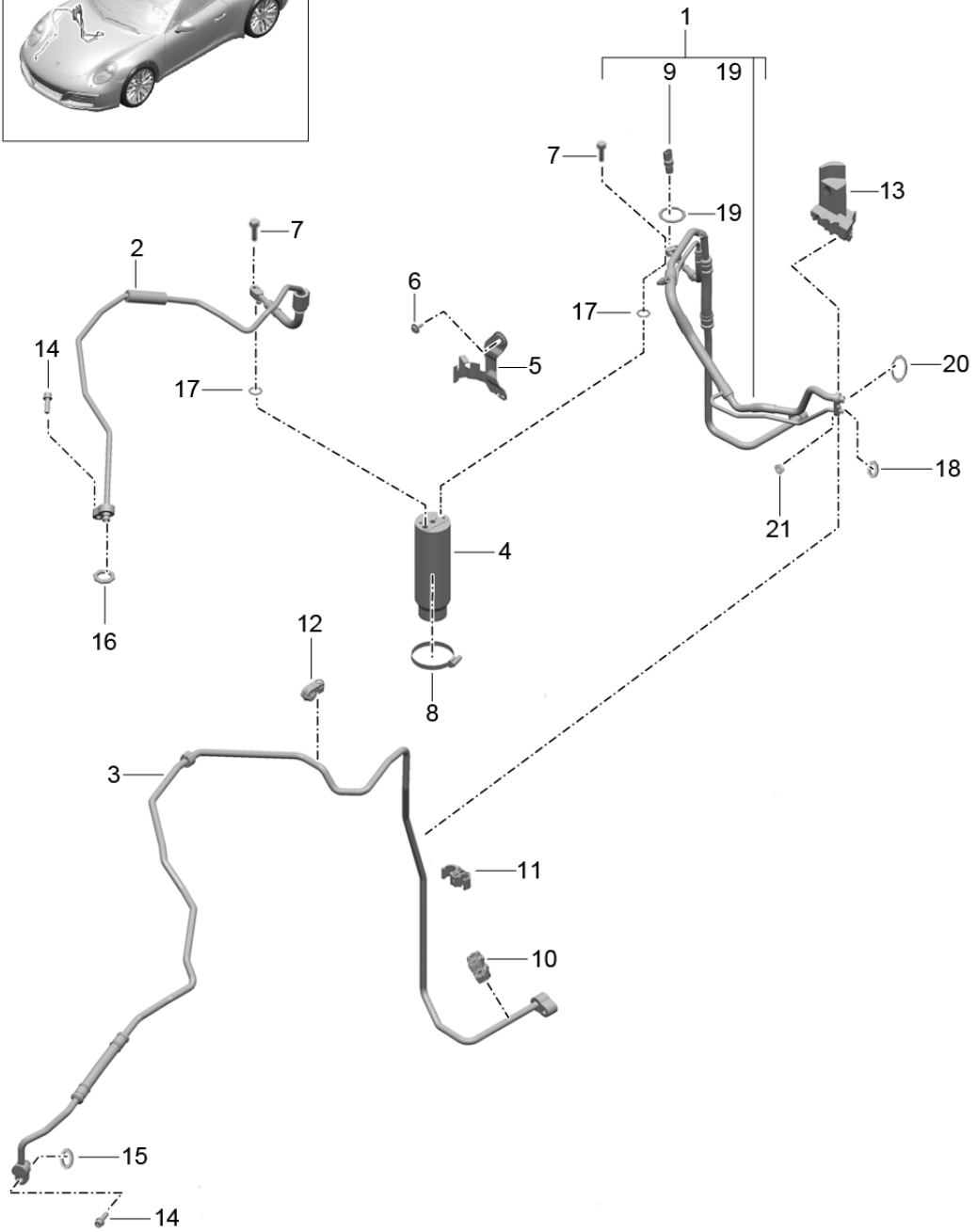
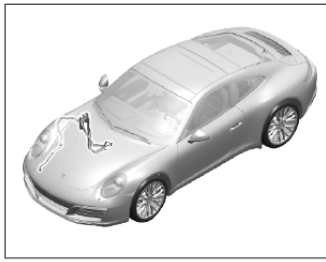
Model: 991-16

Model life 2017>>

Pos	Part Number	Description	Remark	Qty	Model
1	991 575 321 02	refrigerant circuit Air guide	front left side	1	
(1)	991 575 321 02 OK1 991 575 983 01	Matt black Air guide	left side	1	PR: XAS, XAT
2	991 575 983 01 OK1 991 575 322 02	Matt black Air guide	right side	1	
(2)	991 575 322 02 OK1 991 575 984 01	Matt black Air guide	right side	1	PR: XAS, XAT
3	991 575 984 01 OK1 999 919 133 09	Matt black Hexagon bolt 6,0X20,0		2	
4	9P1 820 411	A/C condenser		2	
5	9P1 820 860	Sealing frame		2	
6	991 573 103 06	Pressure line Between Condenser		1	
7	991 573 105 06	Pressure line Condenser Wheel housing	left	1	
8	999 707 557 41	O-ring 11X2.5		3	
9	N 104 144 02	Socket head bolt with hexagon socket head M 8X28		4	
10	991 573 839 01	Bracket		2	
11	991 573 837 00	Bracket		2	
12	991 573 841 00	Bracket		1	

Model: 991-16

Model life 2017>>

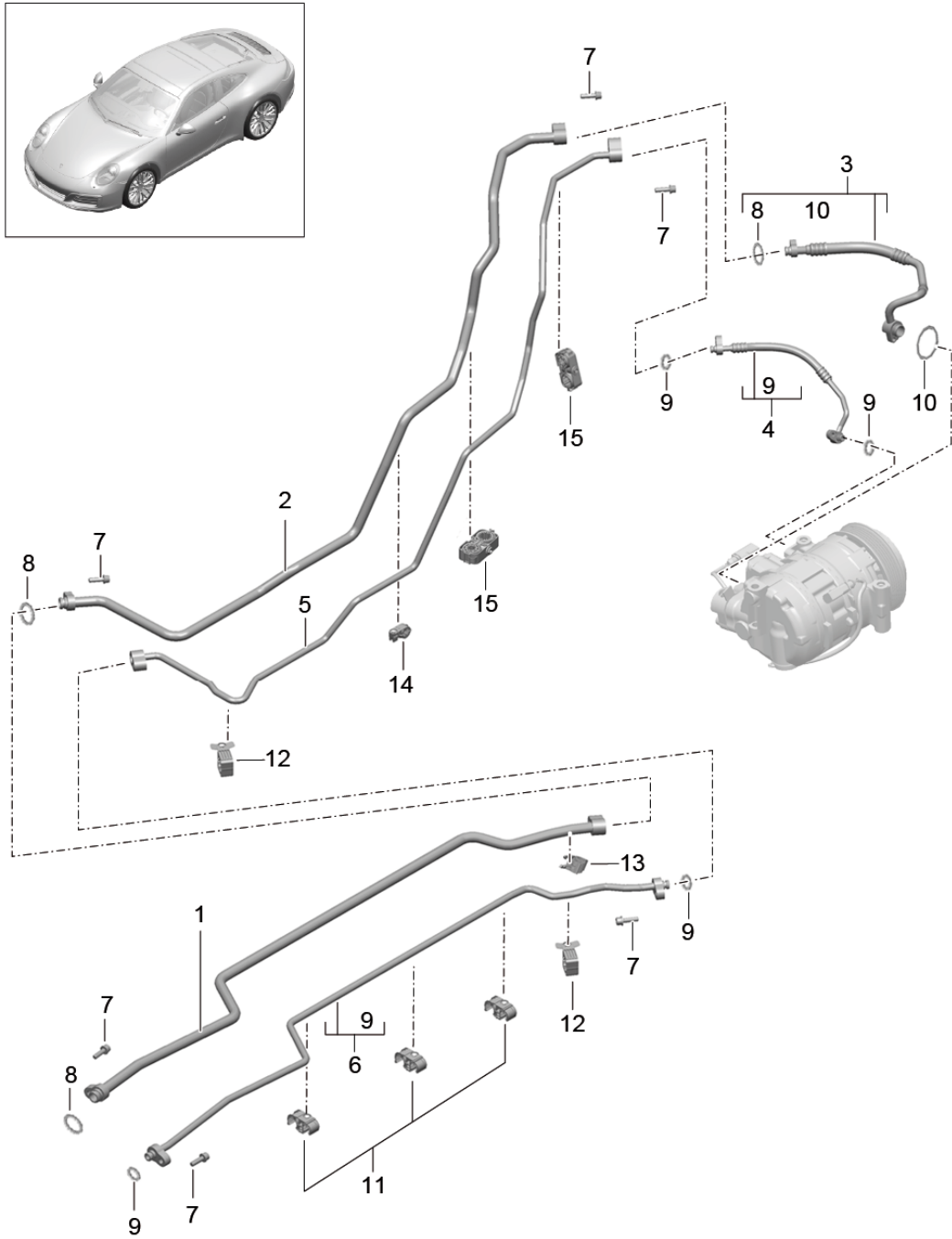


Model: 991-16 Model life 2017>>

Pos	Part Number	Description	Remark	Qty	Model
1	991 573 102 00	Air conditioning Lines Drier Of heat exchanger Line R134A	lhd	1	PR:KK1,098, 573
(1)	991 573 102 02	heat exchanger Line R1234YF	lhd	1	PR:KK3,098, 573
(1)	991 573 102 01	heat exchanger Line R134A	rhd	1	PR:KK1,099, 573
(1)	991 573 102 07	heat exchanger Refrigerant line Air conditioning		1	PR:KK3,099, 573
2	991 573 108 03	Pressure line Drier for Expansion valve		1	
3	991 573 094 05	Wheel housing panel Pressure line Underbody for Condenser	front	1	
4	944 573 143 01	Drier		1	
5	991 573 451 01	bracket for drier		1	
6	900 075 510 01	Bolt with washer M6X20		1	
7	900 075 340 01	Bolt with washer M6X22		2	
8	999 512 349 01	Hose clamp A 50-70/ 9		1	
9	955 613 137 03	Pressure sensor		1	
10	991 573 843 00	Bracket Refrigerant line Underbody		1	
11	991 573 825 01	Bracket for coolant line		1	
12	991 573 837 00	Wheel housing Bracket Refrigerant line Wheel housing		1	
13	991 572 512 00	Foam part	lhd	1	PR:098
(13)	991 572 513 01	Foam part	rhd	1	PR:099
14	N 104 144 02	Socket head bolt with hexagon socket head M 8X28		1	
15	999 707 557 41	O-ring 11X2.5		3	
16	999 707 556 41	O-ring 9,5X2,5		1	
17	999 707 660 40	O-ring 7X1.9		1	
18	999 707 652 40	O-ring 7.5X2.1		1	
19	999 707 555 41	O-ring 10.8X1.82		1	
20	999 707 558 41	O-ring 13.7X2.5		1	
21	900 377 018 09	Hexagon nut M6		1	

Model: 991-16

Model life 2017>>



Model: 991-16

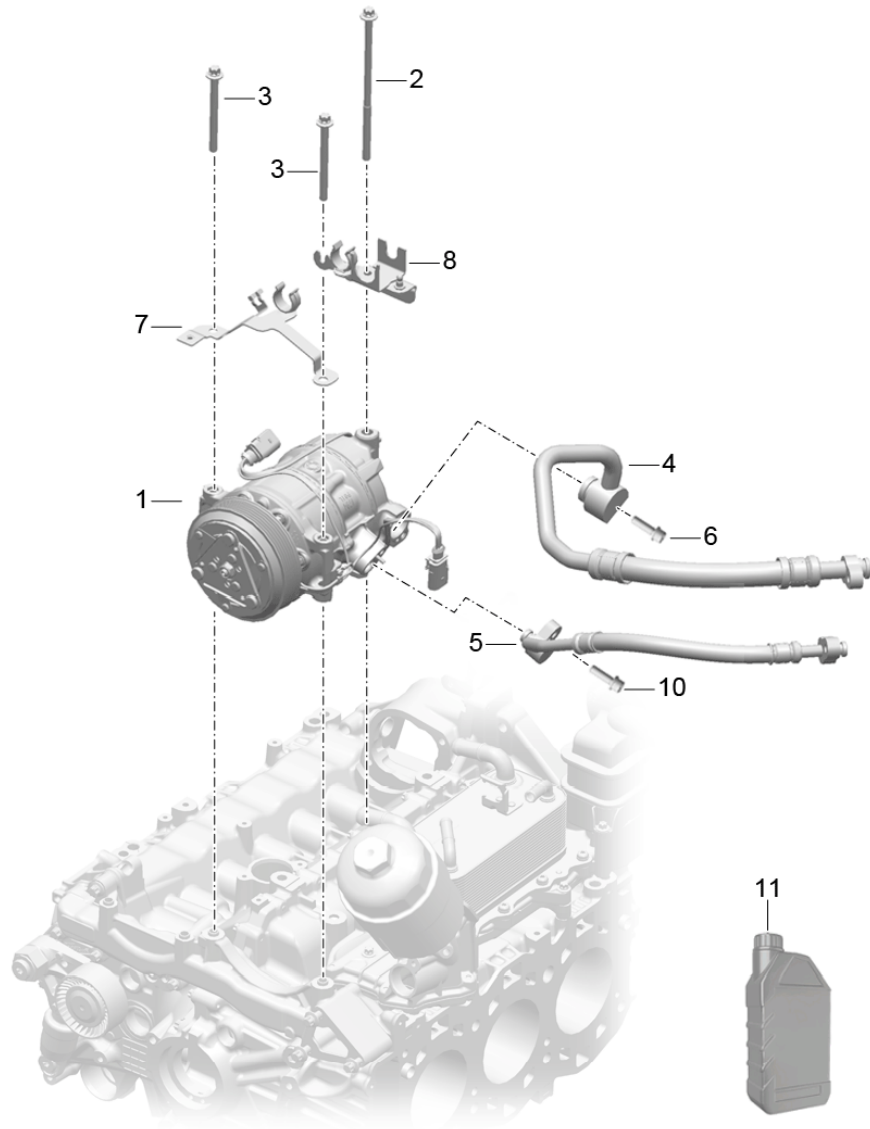
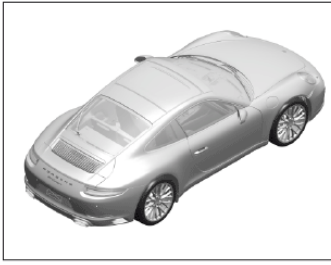
Model life 2017>>

Pos	Part Number	Description	Remark	Qty	Model
1	991 573 091 02	Refrigerant line Underbody and Rear end suction line Wheel housing for	front	1	
2	991 573 095 03	Underbody suction line Wheel housing for		1	
3	9A2 573 069 00	Compressor suction line		1	
4	9A2 573 067 00	Compressor Pressure line		1	
5	991 573 096 03	Compressor Pressure line Engine bay Compressor for		1	
6	991 573 092 02	Carrier Pressure line Underbody for Wheel housing	rear	1	
7	N 104 144 02	Socket head bolt with hexagon socket head M 8X28		7	
8	9A7 573 749 03	O-ring 16,25X2,5		3	
9	999 707 557 41	O-ring 11X2.5		4	
10	999 707 439 41	O-ring 23,8X2,4		1	
11	991 573 825 01	Bracket for coolant line Underbody		3	
12	991 573 837 00	Bracket Refrigerant line Underbody		1	
13	991 573 829 01	Bracket for coolant line Underbody		1	
14	991 573 835 01	Bracket for coolant line Engine bay		1	
15	991 573 843 00	Bracket Refrigerant line Engine bay		2	



Model: 991-16

Model life 2017>>



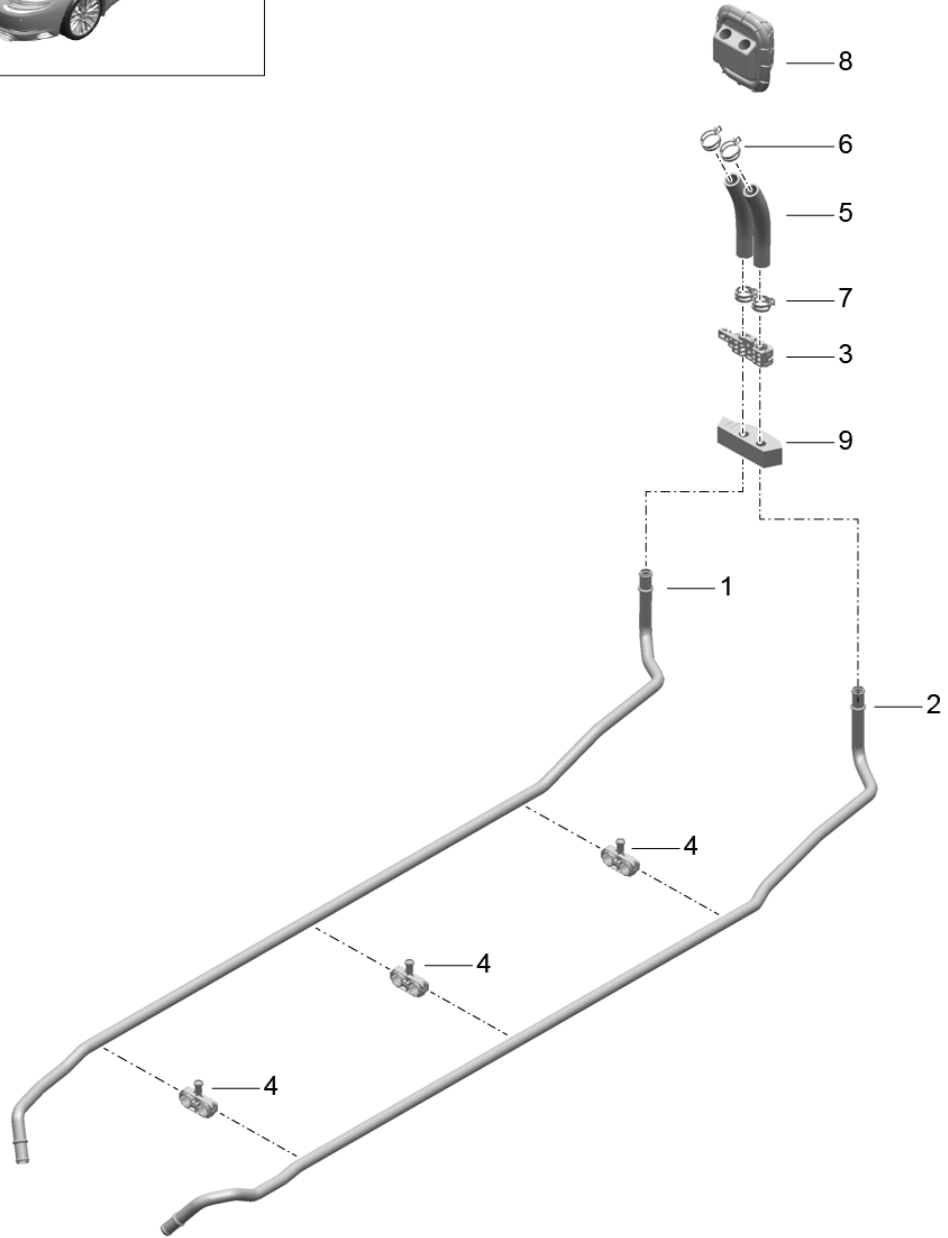
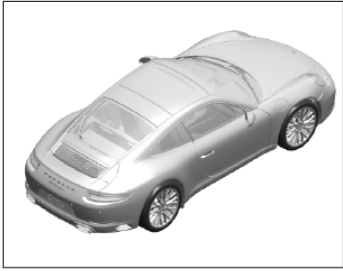
Model: 991-16

Model life 2017>>

Pos	Part Number	Description	Remark	Qty	Model
1	9P1 820 803 B	Compressor		1	
(1)	9P1 820 803 BX	Air conditioning Compressor		1	
2	900 385 134 01	Compressor Replacement parts		1	
3	900 385 102 01	Hexagon head bolt M8X170		2	
4		Torx screw M8X90		1	
5		suction line see illustration, item:	813-030,3	1	
6	N 104 144 02	Pressure line see illustration, item:	813-030,4	1	
7	9A2 102 285 01	Socket head bolt with hexagon socket head M 8X28-U		1	
8	9A2 110 292 01	Bracket for compressor		1	
10	999 073 407 01	Cover		1	
11	9A7 573 900 00	Bracket for compressor		1	
(11)		Screw M 8X25		1	
		Compressor oil 250 ML		1	
		Refrigerant for R1234YF 5 KG		1	
		See workshop manual 8X00IN			

Model: 991-16

Model life 2017>>



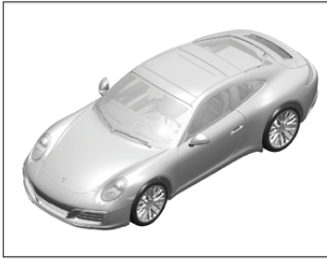
Model: 991-16

Model life 2017>>

Pos	Part Number	Description	Remark	Qty	Model
1	991 572 681 03	heater Feed line return line Heater pipeline	feed	1	
2	991 572 683 03	Heater pipeline	return	1	
3	991 572 825 01	Bracket		1	
4	991 572 823 00	Bracket Double sided 19-19		3	
5	991 572 585 01	Heating hose		2	
6	999 512 603 09	Hose clamp A26X12		2	
7	999 512 657 09	Hose clamp B26X12		2	
8	991 572 263 01	Seal Cross panel		1	
9	991 572 553 00	Heater pipeline Foam part Hot air line		1	

Model: 991-16

Model life 2017>>



Model: 991-16 Model life 2017>>

Pos	Part Number	Description	Remark	Qty	Model
1	991 521 359 00	Front seat (complete) sports seat Not available Trim Rail Rail	left	1	PR:315,319, 388
(1)	991 521 359 00 1E0	Black			
(1)	991 521 360 00	Rail Front seat	right	1	PR:316,320, 389
(1)	991 521 360 00 1E0	Black			
(1)	991 521 361 00	Rail Front seat	left	1	PR:316,320, 321,322,323, 324,389
(1)	991 521 361 00 1E0	Black			
(1)	991 521 362 00	Rail Front seat	right	1	PR:315,319, 321,322,323, 324,388
2	991 521 362 00 1E0	Black			
(2)	991 521 315 00	Cover panel Mounting component Front seat	left	1	PR:315,319, 321,323,-XWK
(2)	991 521 315 00 D20	silver grey metallic	outer		
(2)	991 521 316 00	Cover panel Mounting component Front seat	right	1	PR:316,320, 322,324,-XWK
(2)	991 521 316 00 D20	silver grey metallic	outer		
(2)	991 521 991 01	Cover panel Mounting component Front seat Sport version	left	1	PR:319,323, XWK,-998
(2)	991 521 991 01 A11	Black	-AJ,AQ,AZ,GF, GG,GQ,GR,GW, GY		
(2)	991 521 991 01 OA1	agate grey	-FJ,FQ,FZ		
(2)	991 521 991 01 7J0	Luxor beige	-UJ,UQ,UZ,BT		
(2)	991 521 991 01 OH7	Graphite Blue	-HZ		
(2)	991 521 991 01 OK6	saddle brown	-SZ		
(2)	991 521 991 01 OG6	Bordeaux red	-LZ,BM		
(2)	991 521 991 01 OL8	Chalk	-BG		
(2)	991 521 991 01 N12	Carrera Red	-BA		
(2)	991 521 992 01	Cover panel Mounting component Front seat Sport version	right	1	PR:320,324, XWK,-998
(2)	991 521 992 01 A11	Black	-AJ, A,AZ,GF, GG,GQ,GR,GW, GY		Q,
(2)	991 521 992 01 OA1	agate grey	-FJ,FQ,FZ		
(2)	991 521 992 01 7J0	Luxor beige	-UJ,UQ,UZ,BT		
(2)	991 521 992 01 OH7	Graphite Blue	-HZ		
(2)	991 521 992 01 OK6	saddle brown	-SZ		
(2)	991 521 992 01 OG6	Bordeaux red	-LZ,BM		
(2)	991 521 992 01 OL8	Chalk	-BG		
(2)	991 521 992 01 N12	Carrera Red	-BA		
(2)	991 521 991 02	Cover panel Mounting component Front seat Sport version	left outer	1	PR:319,323, 998,XWK
(2)	991 521 991 02 6J0	Espresso	-NE		
(2)	991 521 991 02 7F0	Cognac	-BY		
(2)	991 521 992 02	Cover panel	right	1	PR:320,324,

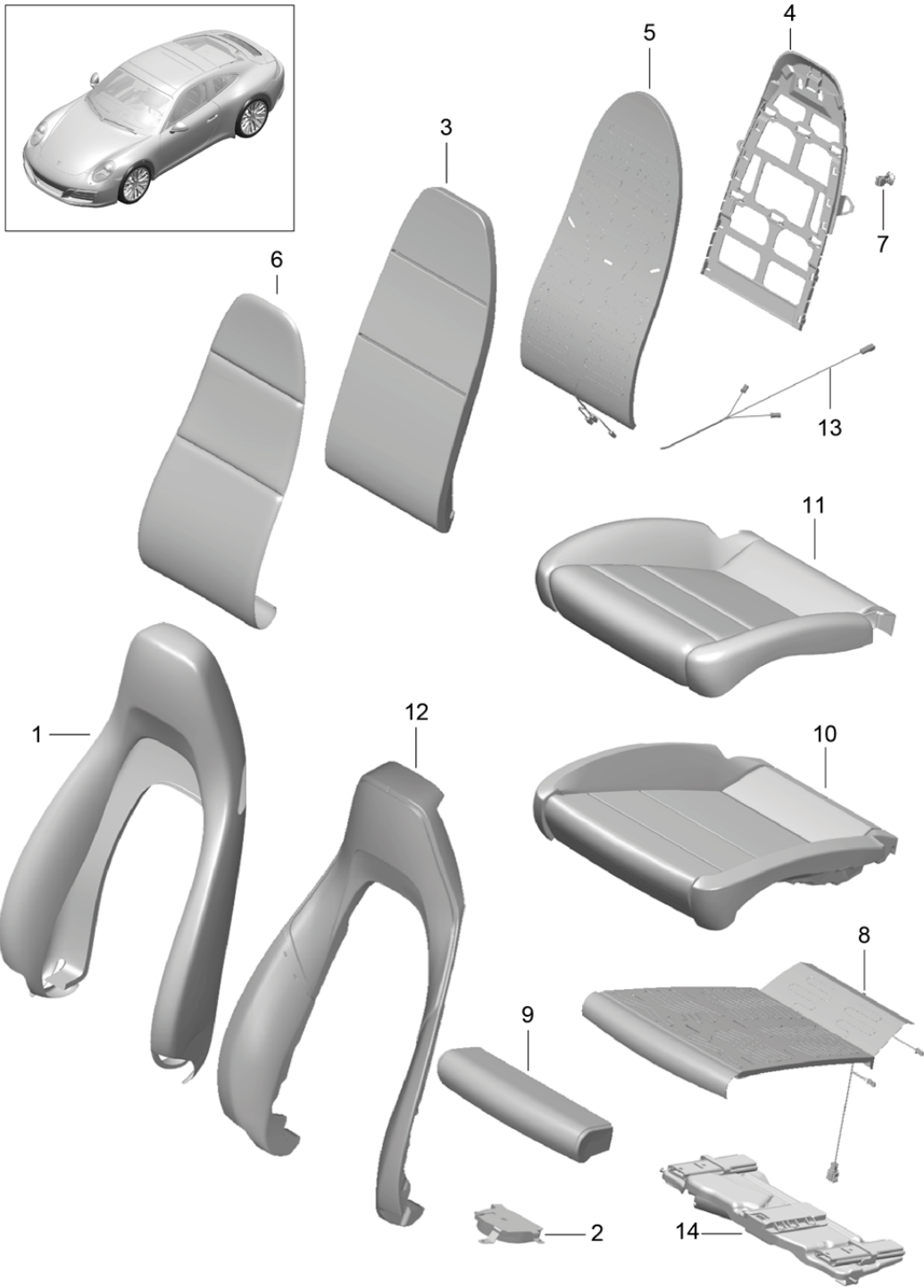
Model: 991-16

Model life 2017>>

Pos	Part Number	Description	Remark	Qty	Model
		Mounting component	outer		998, XWK
		Front seat			
		Sport version			
	991 521 992 02 6J0	Espresso	-NE		
	991 521 992 02 7F0	Cognac	-BY		
3	991 521 335 01	Cover panel	left	1	PR: 315, 319, 321, 323, -XWK
		Mounting component			
		Front seat			
	991 521 335 01 D20	silver grey metallic	inner		
(3)	991 521 336 01	Cover panel	right	1	PR: 316, 320, 322, 324, -XWK
		Mounting component			
		Front seat			
	991 521 336 01 D20	silver grey metallic	inner		
(3)	991 521 337 01	Cover panel	left	1	PR: 316, 320, 322, 324, -XWK
		Mounting component	inner		
		Front seat			
		tunnel			
	991 521 337 01 D20	silver grey metallic			
(3)	991 521 338 01	Cover panel	right	1	PR: 315, 319, 321, 323, -XWK
		Mounting component	inner		
		Front seat			
		tunnel			
	991 521 338 01 D20	silver grey metallic			
4	9A7 007 483 00	Outer hexagon round screw		4	PR: 315, 316, 319, 320, 321, 322, 323, 324, 388, 389
		Seat rail			
		Front seat			
		Floor section			

Model: 991-16

Model life 2017>>





Model: 991-16 Model life 2017>>

Pos	Part Number	Description	Remark	Qty	Model
1	991 521 141 12	Foam part Cover sports seat Backrest cover Outer part sports seat	left	1	PR:315,321, 946,-541
	991 521 141 12 GDB	Black	-AG		
	991 521 141 12 GHB	agate grey	-FG		
	991 521 141 12 GFB	Luxor beige	-UG		
(1)	991 521 142 12	Backrest cover Outer part sports seat	right	1	PR:316,322, 946,-541
	991 521 142 12 GDB	Black	-AG		
	991 521 142 12 GHB	agate grey	-FG		
	991 521 142 12 GFB	Luxor beige	-UG		
(1)	991 521 141 13	Backrest cover Outer part sports seat	left	1	PR:315,983, -541,-998
	991 521 141 13 GDC	Black	-AZ,AQ		
	991 521 141 13 GHC	agate grey	-FZ,FQ		
	991 521 141 13 GFC	Luxor beige	-UZ,UQ,BT		
	991 521 141 13 GTC	Graphite Blue	-HZ		
	991 521 141 13 DUE	saddle brown	-SZ		
	991 521 141 13 GUC	Bordeaux red	-LZ,BM		
	991 521 141 13 GVC	Chalk	-BG		
(1)	991 521 142 13	Backrest cover Outer part sports seat	right	1	PR:316,322, 983,-541, -998
	991 521 142 13 GDC	Black	-AZ,AQ		
	991 521 142 13 GHC	agate grey	-FZ,FQ		
	991 521 142 13 GFC	Luxor beige	-UZ,UQ,BT		
	991 521 142 13 GTC	Graphite Blue	-HZ		
	991 521 142 13 DUE	saddle brown	-SZ		
	991 521 142 13 GUC	Bordeaux red	-LZ,BM		
	991 521 142 13 GVC	Chalk	-BG		
(1)	991 521 141 14	Backrest cover Outer part sports seat	left	1	PR:315,321, 541,946,-998
	991 521 141 14 GDB	Black	-AG		
	991 521 141 14 GHB	agate grey	-FG		
	991 521 141 14 GFB	Luxor beige	-UG		
(1)	991 521 142 14	Backrest cover Outer part sports seat	right	1	PR:316,322, 541,946,-998
	991 521 142 14 GDB	Black	-AG		
	991 521 142 14 GHB	agate grey	-FG		
	991 521 142 14 GFB	Luxor beige	-UG		
(1)	991 521 141 15	Backrest cover Outer part sports seat	left	1	PR:315,321, 541,983,-998
	991 521 141 15 GDC	Black	-AZ,AQ		
	991 521 141 15 GHC	agate grey	-FZ,FQ		
	991 521 141 15 GTC	Graphite Blue	-HZ		
	991 521 141 15 DUE	saddle brown	-SZ		
	991 521 141 15 GFC	Luxor beige	-UZ,UQ,BT		
	991 521 141 15 GUC	Bordeaux red	-LZ,BM		
	991 521 141 15 GVC	Chalk	-BG		
(1)	991 521 142 15	Backrest cover Outer part sports seat	right	1	PR:316,322, 541,983,-998
	991 521 142 15 GDC	Black	-AZ,AQ		
	991 521 142 15 GHC	agate grey	-FZ,FQ		
	991 521 142 15 GTC	Graphite Blue	-HZ		

Model: 991-16 Model life 2017>>

Pos	Part Number	Description	Remark	Qty	Model
(1)	991 521 142 15 DUE	saddle brown	-SZ	1	PR:315,321, 983,998,-541
	991 521 142 15 GFC	Luxor beige	-UZ,UQ,BT		
	991 521 142 15 GUC	Bordeaux red	-LZ,BM		
	991 521 142 15 GVC	Chalk	-BG		
(1)	991 521 141 16	Backrest cover Outer part sports seat	left	1	PR:316,322, 983,998,-541
	991 521 141 16 GKC	Espresso	-NE		
	991 521 141 16 GRC	Cognac	-BY		
(1)	991 521 142 16	Backrest cover Outer part sports seat	right	1	PR:315,321, 541,983,998
	991 521 142 16 GKC	Espresso	-NE		
	991 521 142 16 GRC	Cognac	-BY		
(1)	991 521 141 17	Backrest cover Outer part sports seat	left	1	PR:316,322, 541,983,998
	991 521 141 17 GKC	Espresso	-NE		
	991 521 141 17 GRC	Cognac	-BY		
(1)	991 521 142 17	Backrest cover Outer part sports seat	right	1	PR:XSC,315, 321,946, -541,-998
	991 521 142 17 GKC	Espresso	-NE		
	991 521 142 17 GRC	Cognac	-BY		
(1)	991 521 981 10	Backrest cover Outer part sports seat	left	1	PR:XSC,316, 322,946, -541,-998
		Porsche crest	with:		
	991 521 981 10 GDB	Black	-AG		
(1)	991 521 981 10 GHB	agate grey	-FG	1	PR:XSC,315, 321,946,541, -998
	991 521 981 10 GFB	Luxor beige	-UG		
	991 521 982 10	Backrest cover Outer part sports seat	right		
(1)		Porsche crest	with:	1	PR:XSC,316, 322,946,541, -998
	991 521 982 10 GDB	Black	-AG		
	991 521 982 10 GHB	agate grey	-FG		
(1)	991 521 982 10 GFB	Luxor beige	-UG	1	PR:XSC,315, 321,946,541, -998
	991 521 981 11	Backrest cover Outer part sports seat	left		
		Porsche crest	with:		
(1)	991 521 981 11 GDB	Black	-AG	1	PR:XSC,316, 322,946,541, -998
	991 521 981 11 GHB	agate grey	-FG		
	991 521 981 11 GFB	Luxor beige	-UG		
(1)	991 521 982 11	Backrest cover Outer part sports seat	right	1	PR:XSC,315, 321,983, -541,-998
		Porsche crest	with:		
	991 521 982 11 GDB	Black	-AG		
(1)	991 521 982 11 GHB	agate grey	-FG	1	PR:XSC,315, 321,983, -541,-998
	991 521 982 11 GFB	Luxor beige	-UG		
	991 521 981 12	Backrest cover Outer part sports seat	left		
(1)		Porsche crest	with:	1	PR:XSC,315, 321,983, -541,-998
	991 521 981 12 GDC	Black	-AZ,AQ		
	991 521 981 12 GHC	agate grey	-FQ,FZ		

Model: 991-16 Model life 2017>>

Pos	Part Number	Description	Remark	Qty	Model
	991 521 981 12 GFC	Luxor beige	-UZ,UQ,BT		
	991 521 981 12 GTC	Graphite Blue	-HZ		
	991 521 981 12 DUE	saddle brown	-SZ		
	991 521 981 12 GUC	Bordeaux red	-LZ,BM		
	991 521 981 12 GVC	Chalk	-BG		
(1)	991 521 982 12	Backrest cover Outer part sports seat	right	1	PR:XSC,316, 322,983, -541,-998
		with:			
		Porsche crest			
	991 521 982 12 GDC	Black	-AZ,AQ		
	991 521 982 12 GHC	agate grey	-FZ,FQ		
	991 521 982 12 GFC	Luxor beige	-UZ,UQ,BT		
	991 521 982 12 GTC	Graphite Blue	-HZ		
	991 521 982 12 DUE	saddle brown	-SZ		
	991 521 982 12 GUC	Bordeaux red	-LZ,BM		
	991 521 982 12 GVC	Chalk	-BG		
(1)	991 521 981 13	Backrest cover Outer part sports seat	left	1	PR:XSC,315, 321,983,541, -998
		with:			
		Porsche crest			
	991 521 981 13 GDC	Black	-AZ,AQ		
	991 521 981 13 GHC	agate grey	-FZ,FQ		
	991 521 981 13 GFC	Luxor beige	-UZ,UQ,BT		
	991 521 981 13 GTC	Graphite Blue	-HZ		
	991 521 981 13 DUE	saddle brown	-SZ		
	991 521 981 13 GUC	Bordeaux red	-LZ,BM		
	991 521 981 13 GVC	Chalk	-BG		
(1)	991 521 982 13	Backrest cover Outer part sports seat	right	1	PR:XSC,316, 322,983,541, -998
		with:			
		Porsche crest			
	991 521 982 13 GDC	Black	-AZ,AQ		
	991 521 982 13 GHC	agate grey	-FZ,FQ		
	991 521 982 13 GFC	Luxor beige	-UZ,UQ,BT		
	991 521 982 13 GTC	Graphite Blue	-HZ		
	991 521 982 13 DUE	saddle brown	-SZ		
	991 521 982 13 GUC	Bordeaux red	-LZ,BM		
	991 521 982 13 GVC	Chalk	-BG		
(1)	991 521 981 14	Backrest cover Outer part sports seat	left	1	PR:XSC,315, 321,983,998, -541
		with:			
		Porsche crest			
	991 521 981 14 GKC	Espresso	-NE		
	991 521 981 14 GRC	Cognac	-BY		
(1)	991 521 982 14	Backrest cover Outer part sports seat	right	1	PR:XSC,316, 322,983,998, -541
		with:			
		Porsche crest			
	991 521 982 14 GKC	Espresso	-NE		
	991 521 982 14 GRC	Cognac	-BY		
(1)	991 521 981 15	Backrest cover Outer part sports seat	left	1	PR:XSC,315, 321,983,998, 541
		with:			
		Porsche crest			
	991 521 981 15 GKC	Espresso	-NE		
	991 521 981 15 GRC	Cognac	-BY		
(1)	991 521 982 15	Backrest cover	right	1	PR:XSC,316,

Model: 991-16 Model life 2017>>

Pos	Part Number	Description	Remark	Qty	Model
		Outer part sports seat			322,983,998,541
		with:			
	991 521 982 15 GKC	Porsche crest			
	991 521 982 15 GRC	Espresso	-NE		
	991 521 982 15 GRC	Cognac	-BY		
2	997 624 335 00	Electric motor		1	PR:541
		Seat cushion sports seat			
3	991 521 581 00	Foam part backrest	left a. right	1	PR:315,316,319,320,321,322,323,324,-541
		Centre part sports seat			
(3)	991 521 581 01	Foam part backrest	left a. right	1	PR:315,316,319,320,321,322,323,324,541
		Centre part sports seat			
4	991 521 551 00	Backrest-padding support part	left a. right	1	PR:315,316,319,320,321,322,323,324
		sports seat			
5	991 521 731 01	Airbag backrest	left a. right	1	PR:315,316,319,320,321,322,323,324,541
		sports seat			
6	991 521 151 00	Backrest cushion cover	left a. right	1	PR:315,316,321,322,946,-541
		Centre part sports seat			
	991 521 151 00 21U	Black	-AG		
	991 521 151 00 OF6	agate grey	-FG		
	991 521 151 00 32X	Luxor beige	-UG		
(6)	991 521 151 01	Backrest cushion cover	left a. right	1	PR:315,316,319,320,321,322,323,324,983,-541
		Centre part sports seat			
	991 521 151 01 8YR	Black	-AJ,AQ,AZ		
	991 521 151 01 PL1	agate grey	-FJ,FQ,FZ		
	991 521 151 01 9H6	Luxor beige	-UJ,UQ,UZ,BT		
	991 521 151 01 OH7	Graphite Blue	-HZ		
	991 521 151 01 OK6	saddle brown	-SZ		
	991 521 151 01 OG6	Bordeaux red	-LZ,BM		
	991 521 151 01 OL8	Chalk	-BG		
(6)	991 521 151 02	Backrest cushion cover	left a. right	1	PR:315,316,321,322,541,946
		Centre part sports seat			
	991 521 151 02 21U	Black	-AG		
	991 521 151 02 OF6	agate grey	-FG		
	991 521 151 02 32X	Luxor beige	-UG		
(6)	991 521 151 03	Backrest cushion cover	left a. right	1	PR:315,316,319,320,321,322,323,324,541,983
		Centre part sports seat			
	991 521 151 03 8YR	Black	-AJ,AQ,AZ		
	991 521 151 03 PL1	agate grey	-FJ,FQ,FZ		
	991 521 151 03 9H6	Luxor beige	-UJ,UQ,UZ,BT		
	991 521 151 03 OH7	Graphite Blue	-HZ		
	991 521 151 03 OK6	saddle brown	-SZ		
	991 521 151 03 OG6	Bordeaux red	-LZ,BM		
	991 521 151 03 OL8	Chalk	-BG		
(6)	991 521 151 05	Backrest cushion cover	left a. right	1	PR:315,316,319,320,321,322,323,324,998,-541
		Centre part sports seat			
	991 521 151 05 8C0	Espresso	-NE		

Model: 991-16

Model life 2017&gt;&gt;

Pos	Part Number	Description	Remark	Qty	Model
(6)	991 521 151 05 9EF 991 521 151 06	Cognac Backrest cushion cover Centre part sports seat	-BY left a. right	1	PR:315,316, 319,320,321, 322,323,324, 998,541
7	991 521 151 06 8C0 991 521 151 06 9EF 991 521 899 00	Espresso Cognac Clip Cushioning backrest sports seat	-NE -BY left a. right	1	PR:315,316, 319,320,321, 322,323,324
8	991 521 721 04	Airbag with heating Seat cushion sports seat		1	PR:315,316, 319,320,541
(8)	991 521 721 05	Airbag with heating Seat cushion sports seat Position Deep Adjustable		1	PR:321,322, 323,324,541
9	991 521 539 00	Foam part Seat cushion sports seat Position Deep Adjustable		1	PR:321,322, 323,324,-541
(9)	991 521 539 01	Foam part Seat cushion sports seat Position Deep Adjustable		1	PR:321,322, 323,324,541
(9)	970 521 549 00	Foam part Seat cushion Carrier Cushioning sports seat Position Deep Adjustable		1	PR:321,322, 323,324
10	991 521 571 00	Foam part Seat cushion sports seat	left	1	PR:315,-541, -560
(10)	991 521 572 08	Foam part Seat cushion sports seat	right	1	PR:316,-541, -560
(10)	991 521 571 01	Foam part Seat cushion sports seat	left	1	PR:315,541, -560
(10)	991 521 572 09	Foam part Seat cushion sports seat	right	1	PR:316,541, -560
(10)	991 521 571 02	Foam part Seat cushion sports seat Adjustable	left	1	PR:321,-541, -560
(10)	991 521 572 10	Foam part Seat cushion sports seat Adjustable	right	1	PR:322,-541, -560
(10)	991 521 571 03	Foam part	left	1	PR:321,541,

Model: 991-16 Model life 2017>>

Pos	Part Number	Description	Remark	Qty	Model
		Seat cushion sports seat Adjustable			-560
(10)	991 521 572 11	Foam part Seat cushion sports seat Adjustable	right	1	PR:322,541, -560
(10)	991 521 572 19	Foam part Seat cushion sports seat (passenger side)	right	1	PR:322,541, 560
11	991 521 161 26	Seat cover sports seat	left	1	PR:315,946, -541
	991 521 161 26 GDB	Black	-AG		
	991 521 161 26 GHB	agate grey	-FG		
	991 521 161 26 GFB	Luxor beige	-UG		
(11)	991 521 162 26	Seat cover sports seat	right	1	PR:316,946, -541
	991 521 162 26 GDB	Black	-AG		
	991 521 162 26 GHB	agate grey	-FG		
	991 521 162 26 GFB	Luxor beige	-UG		
(11)	991 521 161 27	Seat cover sports seat	left	1	PR:315,983, -541,-998
	991 521 161 27 GDC	Black	-AQ,AZ		
	991 521 161 27 GHC	agate grey	-FQ,FZ		
	991 521 161 27 GFC	Luxor beige	-UQ,UZ,BT		
	991 521 161 27 GTC	Graphite Blue	-HZ		
	991 521 161 27 DUE	saddle brown	-SZ		
	991 521 161 27 GUC	Bordeaux red	-LZ,BM		
	991 521 161 27 GVC	Chalk	-BG		
(11)	991 521 162 27	Seat cover sports seat	right	1	PR:316,983, -541,-998
	991 521 162 27 GDC	Black	-AQ,AZ		
	991 521 162 27 GHC	agate grey	-FQ,FZ		
	991 521 162 27 GFC	Luxor beige	-UQ,UZ,BT		
	991 521 162 27 GTC	Graphite Blue	-HZ		
	991 521 162 27 DUE	saddle brown	-SZ		
	991 521 162 27 GUC	Bordeaux red	-LZ,BM		
	991 521 162 27 GVC	Chalk	-BG		
(11)	991 521 161 28	Seat cover sports seat	left	1	PR:315,983, 998,-541
	991 521 161 28 GKC	Espresso	-NE		
	991 521 161 28 GRC	Cognac	-BY		
(11)	991 521 162 28	Seat cover sports seat	right	1	PR:316,983, 998,-541
	991 521 162 28 GKC	Espresso	-NE		
	991 521 162 28 GRC	Cognac	-BY		
(11)	991 521 161 29	Seat cover sports seat	left	1	PR:315,541, 946
	991 521 161 29 GDB	Black	-AG		
	991 521 161 29 GHB	agate grey	-FG		
	991 521 161 29 GFB	Luxor beige	-UG		
(11)	991 521 162 29	Seat cover sports seat	right	1	PR:316,541, 946
	991 521 162 29 GDB	Black	-AG		
	991 521 162 29 GHB	agate grey	-FG		
	991 521 162 29 GFB	Luxor beige	-UG		
(11)	991 521 161 30	Seat cover sports seat	left	1	PR:315,541, 983,-998
	991 521 161 30 GDC	Black	-AQ,AZ		
	991 521 161 30 GHC	agate grey	-FQ,FZ		
	991 521 161 30 GFC	Luxor beige	-UQ,UZ,BT		
	991 521 161 30 GTC	Graphite Blue	-HZ		

Model: 991-16 Model life 2017>>

Pos	Part Number	Description	Remark	Qty	Model
(11)	991 521 161 30 DUE	saddle brown	-SZ	1	PR:316,541, 983,-998
	991 521 161 30 GUC	Bordeaux red	-LZ,BM		
	991 521 161 30 GVC	Chalk	-BG		
	991 521 162 30	Seat cover sports seat	right		
	991 521 162 30 GDC	Black	-AQ,AZ		
	991 521 162 30 GHC	agate grey	-FQ,FZ		
	991 521 162 30 GFC	Luxor beige	-UQ,UZ,BT		
	991 521 162 30 GTC	Graphite Blue	-HZ		
	991 521 162 30 DUE	saddle brown	-SZ		
	991 521 162 30 GUC	Bordeaux red	-LZ,BM		
(11)	991 521 162 30 GVC	Chalk	-BG	1	PR:315,541, 983,998
	991 521 161 31	Seat cover sports seat	left		
(11)	991 521 161 31 GKC	Espresso	-NE	1	PR:316,541, 983,998
	991 521 161 31 GRC	Cognac	-BY		
(11)	991 521 162 31	Seat cover sports seat	right	1	PR:316,541, 983,998
	991 521 162 31 GKC	Espresso	-NE		
(11)	991 521 162 31 GRC	Cognac	-BY	1	PR:321,946, -541
	991 521 161 32	Seat cover sports seat	left		
(11)	991 521 161 32 GDB	Black	-AG	1	PR:322,946, -541
	991 521 161 32 GHB	agate grey	-FG		
	991 521 161 32 GFB	Luxor beige	-UG		
	991 521 162 32	Seat cover sports seat	right		
(11)	991 521 162 32 GDB	Black	-AG	1	PR:321,983, -541,-998
	991 521 162 32 GHB	agate grey	-FG		
	991 521 162 32 GFB	Luxor beige	-UG		
	991 521 161 33	Seat cover sports seat	left		
(11)	991 521 161 33 GDC	Black	-AQ,AZ	1	PR:322,983, -541,-998
	991 521 161 33 GHC	agate grey	-FQ,FZ		
	991 521 161 33 GFC	Luxor beige	-UQ,UZ,BT		
	991 521 161 33 GTC	Graphite Blue	-HZ		
	991 521 161 33 DUE	saddle brown	-SZ		
	991 521 161 33 GUC	Bordeaux red	-LZ,BM		
	991 521 161 33 GVC	Chalk	-BG		
	991 521 162 33	Seat cover sports seat	right		
	991 521 162 33 GDC	Black	-AQ,AZ		
	991 521 162 33 GHC	agate grey	-FQ,FZ		
(11)	991 521 162 33 GFC	Luxor beige	-UQ,UZ,BT	1	PR:321,983, 998,-541
	991 521 162 33 GTC	Graphite Blue	-HZ		
	991 521 162 33 DUE	saddle brown	-SZ		
	991 521 162 33 GUC	Bordeaux red	-LZ,BM		
(11)	991 521 162 33 GVC	Chalk	-BG	1	PR:322,983, 998,-541
	991 521 161 34	Seat cover sports seat	left		
(11)	991 521 161 34 GKC	Espresso	-NE	1	PR:322,983, 998,-541
	991 521 161 34 GRC	Cognac	-BY		
(11)	991 521 162 34	Seat cover sports seat	right	1	PR:321,541, 946
	991 521 162 34 GKC	Espresso	-NE		
(11)	991 521 162 34 GRC	Cognac	-BY	1	PR:322,541, 946
	991 521 161 35	Seat cover sports seat	left		
(11)	991 521 161 35 GDB	Black	-AG	1	PR:322,541, 946
	991 521 161 35 GHB	agate grey	-FG		
	991 521 161 35 GFB	Luxor beige	-UG		
	991 521 162 35	Seat cover sports seat	right		

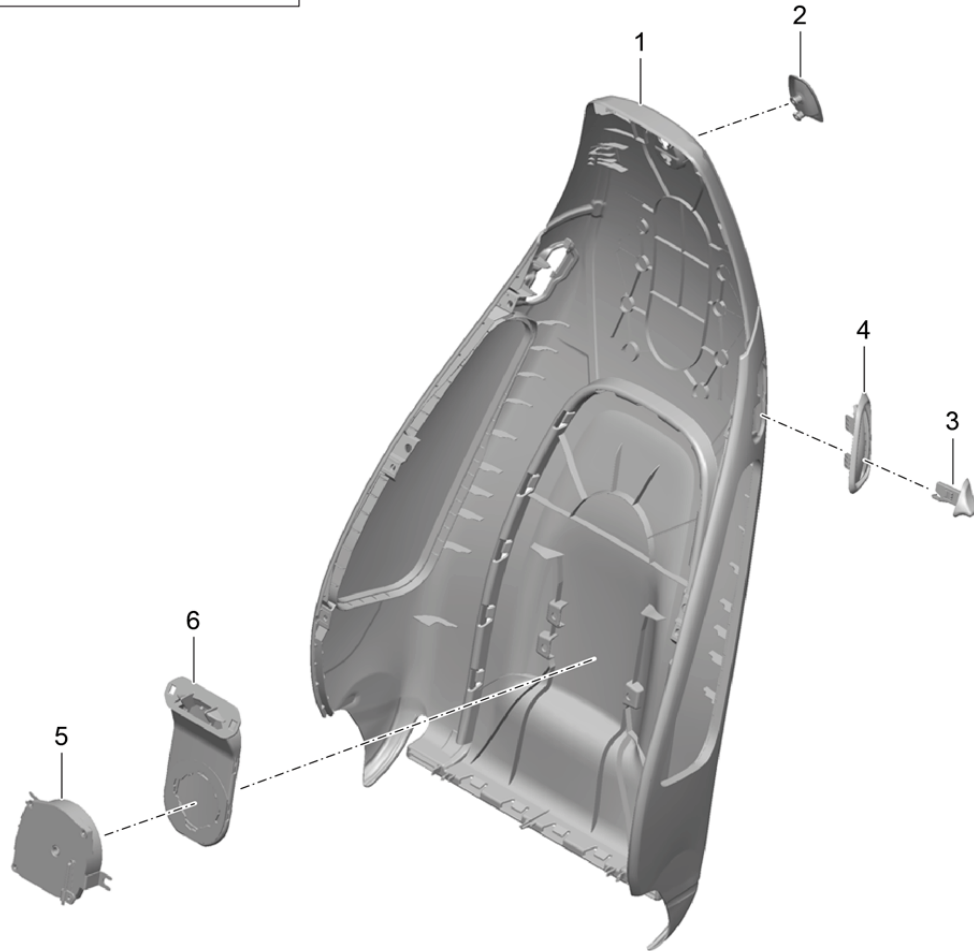
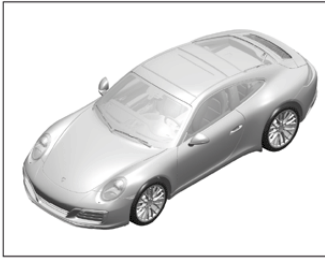
Model: 991-16 Model life 2017>>

Pos	Part Number	Description	Remark	Qty	Model
(11)	991 521 162 35 GDB	Black	-AG	1	PR:321,541, 983,-998
	991 521 162 35 GHB	agate grey	-FG		
	991 521 162 35 GFB	Luxor beige	-UG		
	991 521 161 36	Seat cover sports seat	left		
	991 521 161 36 GDC	Black	-AQ,AZ		
	991 521 161 36 GHC	agate grey	-FQ,FZ		
	991 521 161 36 GFC	Luxor beige	-UQ,UZ,BT		
	991 521 161 36 GTC	Graphite Blue	-HZ		
	991 521 161 36 DUE	saddle brown	-SZ		
	991 521 161 36 GUC	Bordeaux red	-LZ,BM		
(11)	991 521 161 36 GVC	Chalk	-BG	1	PR:322,541, 983,-998
	991 521 162 36	Seat cover sports seat	right		
	991 521 162 36 GDC	Black	-AQ,AZ		
	991 521 162 36 GHC	agate grey	-FQ,FZ		
	991 521 162 36 GFC	Luxor beige	-UQ,UZ,BT		
	991 521 162 36 GTC	Graphite Blue	-HZ		
	991 521 162 36 DUE	saddle brown	-SZ		
	991 521 162 36 GUC	Bordeaux red	-LZ,BM		
	991 521 162 36 GVC	Chalk	-BG		
	(11)	991 521 161 37	Seat cover sports seat		
991 521 161 37 GKC		Espresso	-NE		
(11)	991 521 161 37 GRC	Cognac	-BY	1	PR:322,541, 983,998
	991 521 162 37	Seat cover sports seat	right		
12	991 521 162 37 GKC	Espresso	-NE	1	PR:315,316, 321,322,-541
	991 521 162 37 GRC	Cognac	-BY		
(12)	991 521 535 00	Foam part backrest	left a. right	1	PR:315,316, 321,322,541
	991 521 535 01	Outer part	left a. right		
		Foam part backrest			
13	991 653 116 04	Outer part	left a. right	1	PR:321,322, 323,324,342, -541
		Heating element			
		Seat cushion Position Deep			
14	970 521 749 00	Adjustable	left a. right	1	PR:321,322, 323,324
		Electric drive			
		Seat cushion Position Deep			
		Adjustment			



Model: 991-16

Model life 2017>>

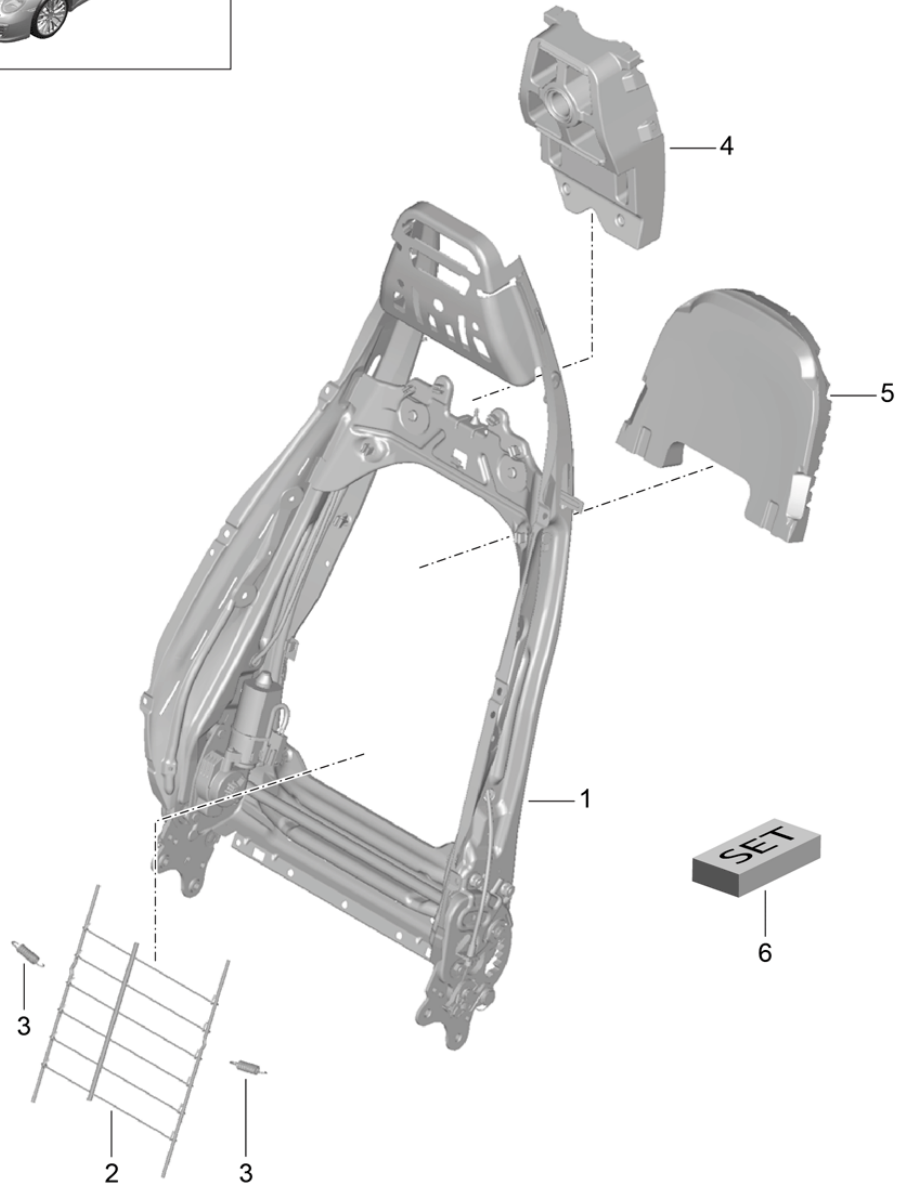
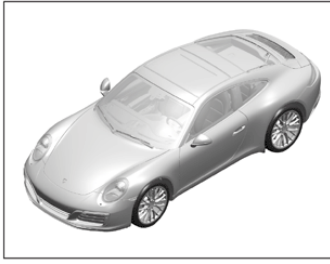


Model: 991-16 Model life 2017>>

Pos	Part Number	Description	Remark	Qty	Model
1	991 521 303 00	Backrest shell sports seat Accessories		1	PR:315,321, 946
	991 521 303 00 1D0	Black	-AG		
	991 521 303 00 OW7	agate grey	-FG		
	991 521 303 00 2E0	Luxor beige	-UG		
(1)	991 521 304 00	Backrest shell sports seat		1	PR:316,322, 946
	991 521 304 00 1D0	Black	-AG		
	991 521 304 00 OW7	agate grey	-FG		
	991 521 304 00 2E0	Luxor beige	-UG		
(1)	991 521 303 01	Backrest shell sports seat		1	PR:315,321, 983
	991 521 303 01 A80	Black	-AQ,AZ		
	991 521 303 01 C85	agate grey	-FQ,FZ		
	991 521 303 01 Q80	Luxor beige	-UQ,UZ,BT		
	991 521 303 01 OH7	Graphite Blue	-HZ		
	991 521 303 01 OK6	saddle brown	-SZ		
	991 521 303 01 OG6	Bordeaux red	-LZ,BM		
	991 521 303 01 OL8	Chalk	-BG		
	991 521 303 01 H80	Espresso	-NE		
	991 521 303 01 S80	Cognac	-BY		
	991 521 303 01 S85	Umber	-RK		
(1)	991 521 304 01	Backrest shell sports seat		1	PR:316,322, 983
	991 521 304 01 A80	Black	-AQ,AZ		
	991 521 304 01 C85	agate grey	-FQ,FZ		
	991 521 304 01 Q80	Luxor beige	-UQ,UZ,BT		
	991 521 304 01 OH7	Graphite Blue	-HZ		
	991 521 304 01 OK6	saddle brown	-SZ		
	991 521 304 01 OG6	Bordeaux red	-LZ,BM		
	991 521 304 01 OL8	Chalk	-BG		
	991 521 304 01 H80	Espresso	-NE		
	991 521 304 01 S80	Cognac	-BY		
	991 521 304 01 S85	Umber	-RK		
2	991 521 373 00	Coat hook		1	PR:315,316, 321,322
	991 521 373 00 D20	Backrest shell silver grey metallic			
3	991 521 623 00	Actuator button lever for folding backrest	left	1	PR:315,316, 319,320,321, 322,323,324
	991 521 623 00 V08	Galvano silver			
(3)	991 521 624 00	Actuator button lever for folding backrest	right	1	PR:315,316, 319,320,321, 322,323,324
	991 521 624 00 V08	Galvano silver			
4	991 521 621 00	Rosette Actuator button lever for folding backrest	left	1	PR:315,316, 321,322
	991 521 621 00 D20	silver grey metallic			
(4)	991 521 622 00	Rosette Actuator button lever for folding backrest	right	1	PR:315,316, 321,322
	991 521 622 00 D20	silver grey metallic			
5	997 624 337 00	Electric motor backrest		1	PR:541
6	997 521 733 00	Air guide channel backrest		1	PR:541

Model: 991-16

Model life 2017>>



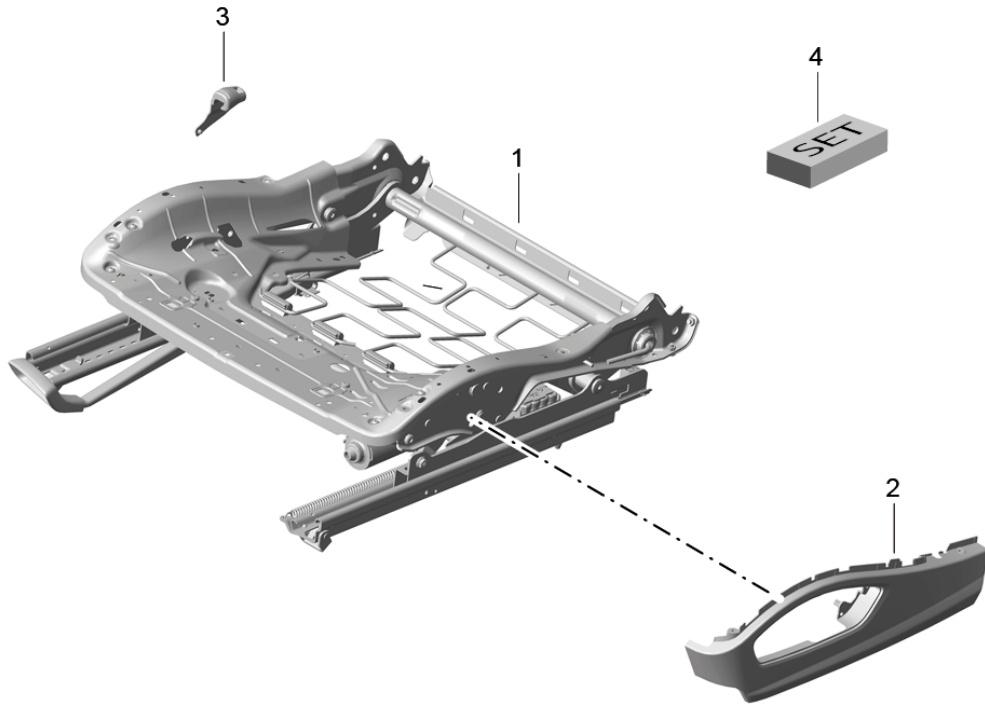
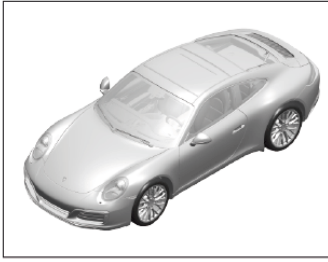
Model: 991-16

Model life 2017>>

Pos	Part Number	Description	Remark	Qty	Model
1	9P1 881 045 E	Backrest frame sports seat Accessories backrest frame sports seat		1	PR:315,316, 319,320
(1)	9P1 881 045 F	No memory function backrest frame sports seat With memory function		1	PR:321,322, 323,324
2	991 521 855 00	Grille Backrest frame	left a. right	1	PR:315,316, 319,320,321, 322,323,324
3	991 521 893 00	tension spring Grille Backrest frame	left a. right	1	PR:315,316, 319,320,321, 322,323,324
4	991 521 887 00	Foam part Head restraint Backrest frame sports seat		1	PR:315,316, 321,322
5	991 521 897 00	Foam part backrest Backrest frame sports seat		1	PR:315,316, 321,322
6	991 521 902 00	repair set backrest Set of fastening parts		1	

Model: 991-16

Model life 2017>>



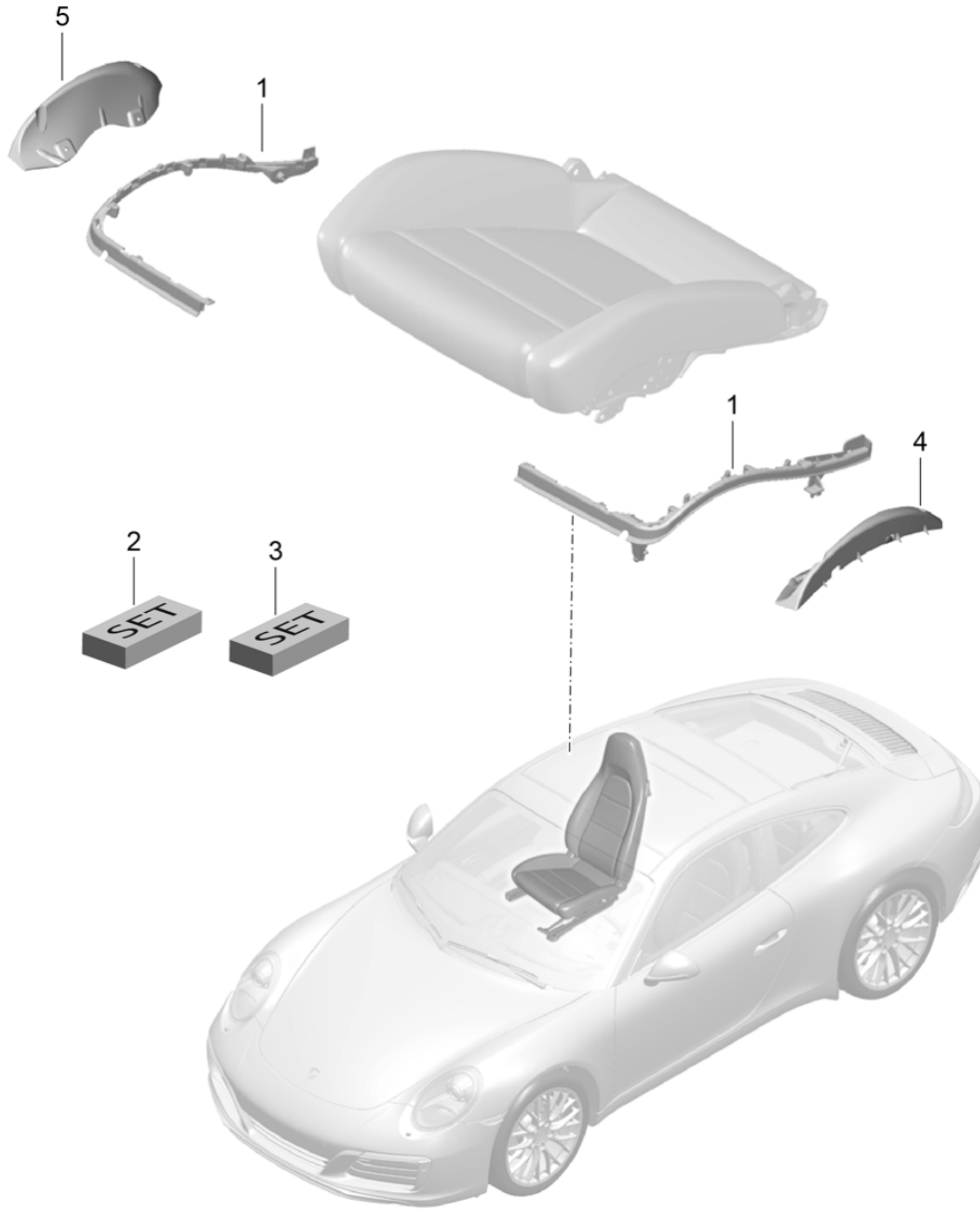
Model: 991-16

Model life 2017>>

Pos	Part Number	Description	Remark	Qty	Model
1	9P1 881 105 F	Seat frame sports seat Accessories	left	1	PR:315,319
(1)	9P1 881 106 F	Seat frame sports seat	right	1	PR:316,320
(1)	9P1 881 105 G	Seat frame (electrically adjustable) sports seat Electric	left	1	PR:321,323
(1)	9P1 881 106 G	With memory function Seat frame (electrically adjustable) sports seat Electric	right	1	PR:322,324
2	991 521 325 00	With memory function Trim for switch sports seat	left	1	PR:315,319, 321,323
(2)	991 521 325 00 D20 991 521 326 00	silver grey metallic Trim for switch sports seat	right	1	PR:316,320, 322,324
3	991 521 326 00 D20 991 521 612 00	silver grey metallic Protective plate Belt latch		1	PR:316,322, 324,560
4	991 521 901 00	Seat frame Front seat repair set Seat frame Set of fastening parts		1	

Model: 991-16

Model life 2017>>



Model: 991-16

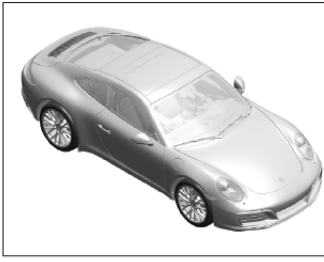
Model life 2017>>

Pos	Part Number	Description	Remark	Qty	Model
1	991 521 545 00	Cushion carrier Frame Seat surface sports seat	left outer	1	PR:315,319, 321,323
(1)	991 521 546 00	Frame Cushion carrier Seat surface sports seat	right outer	1	PR:316,320, 322,324
(1)	991 521 547 00	Frame Cushion carrier Seat surface sports seat	left inner	1	PR:316,320, 322,324
(1)	991 521 548 00	Frame Cushion carrier Seat surface sports seat	right inner	1	PR:315,319, 321,323
4	997 521 519 00	Support plate	left	1	PR:319,320
(4)	970 521 519 00	Support plate	left	1	PR:321,322, 323,324
5	997 521 520 00	Support plate	right	1	PR:319,320
(5)	970 521 520 00	Support plate	right	1	PR:321,322, 323,324



Model: 991-16

Model life 2017>>



Model: 991-16 Model life 2017>>

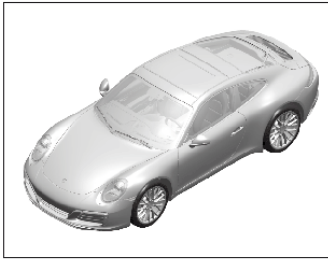
Pos	Part Number	Description	Remark	Qty	Model
		Wiring looms Switch Control unit Electric motor sports seat			
1	991 622 787 02	Wire set	left a. right	1	PR:315,316, 319,320
(1)	9P1 971 369	Backrest frame Wire set	left	1	PR:321
(1)	9P1 971 370	Backrest frame Discontinued part Wire set	right	1	PR:322
(1)	9P1 971 369 A	Backrest frame Discontinued part Wire set	left a. right	1	
(1)	9P1 971 370 A	Backrest frame Discontinued part Wire set	right	1	PR:324
2	9P1 971 365	Backrest frame Discontinued part Wire set	left	1	PR:315,319, -342,-560
(2)	9P1 971 366	Seat adjuster Wire set	right	1	PR:316,320, -342,-560
(2)	9P3 971 391 B	Seat adjuster Wire set	lhd	1	PR:098,321, 323,-342, -560
(2)	9P1 971 391 B	Seat (drivers side) Wire set	left	1	PR:321,323, 560,-342
(2)	9P1 971 392 B	Seat Wire set	right	1	PR:322,324, 560,-342
(2)	9P1 971 365 B	Seat Wire set	left	1	PR:315,319, 342,-560
(2)	9P1 971 366 B	Seat adjuster Wire set	right	1	PR:316,320, -560
(2)	9P3 971 391 C	Seat adjuster Wire set	lhd	1	PR:098,321, 323,342,-560
(5)	9P1 971 392 C	Seat Wire set	right	1	
(2)	9P1 971 391 C	Seat (drivers side) Wire set		1	
(2)	9P3 971 392 C	Seat (passenger side) Wire set		1	PR:-560
3	991 521 643 00	modify in workshop Bracket		1	PR:315,316, 319,320,-541
(3)	991 521 643 01	Electronic component Seat frame sports seat		1	PR:315,316, 319,320,541
(3)	991 521 643 02	Bracket Electronic component Seat frame		1	PR:321,322, 323,324
4	991 613 713 01	sports seat switch for seat adjustment	left	1	PR:315,319
	991 613 713 01 DMN	sports seat Galvano silver			

Model: 991-16 Model life 2017>>

Pos	Part Number	Description	Remark	Qty	Model
(4)	991 613 714 01	switch for seat adjustment sports seat	right	1	PR:316,320
(4)	991 613 714 01 DMN 7PP 959 747 AB	Galvano silver Switch module for seat Seat adjuster sports seat	left	1	PR:323
(4)	7PP 959 747 AB DMN 7PP 959 748 AB	Galvano silver Switch module for seat Seat adjuster sports seat	right	1	PR:324
(4)	7PP 959 748 AB DMN 7PP 959 747 AA	Galvano silver Switch module for seat Seat adjuster sports seat	left	1	PR:321
(4)	7PP 959 747 AA DMN 7PP 959 748 AA	Galvano silver Switch module for seat Seat adjuster sports seat	right	1	PR:322
5	7PP 959 748 AA DMN 970 618 245 03	Galvano silver Control unit for seat occupied sensor		1	PR:316,320, 322,324,560
6	970 618 537 12	Control unit Seat frame With memory function		1	PR:322,323, 324,388,537, 389,538,321
7	9P1 972 171	Wire set Airbag Seat	left	1	PR:315,319, 321,323
(7)	991 622 796 00	Wire set Airbag Seat	right	1	PR:316,320, 322,324
(7)	9P1 972 173	D >> - 22.06.2015 Wire set Airbag Seat	right	1	PR:316,320, 322,324
(7)	9P1 972 173 A	D - 23.06.2015>> - 03.11.2016 Wire set Airbag Seat D - 04.11.2016>>	right	1	PR:316,320, 322,324

Model: 991-16

Model life 2017>>



13



1



10



6



2



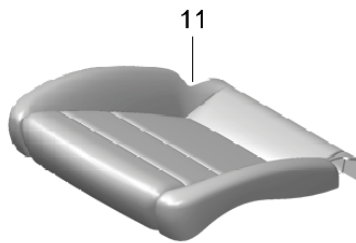
5



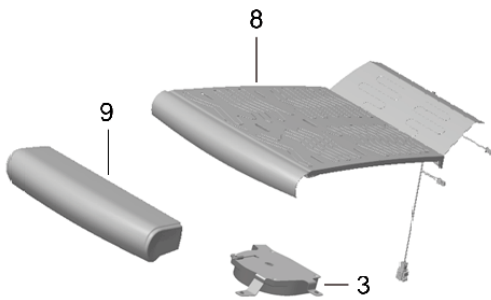
4



7



11

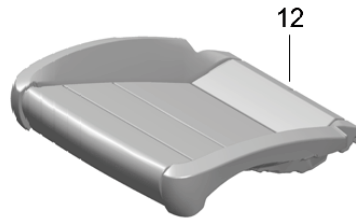


8

9



3



12

Model: 991-16 Model life 2017>>

Pos	Part Number	Description	Remark	Qty	Model
1	991 521 141 04	seat covers Foam part Backrest cover Outer part Sports seat Plus		1	PR:319,320, 323,324, -541,-998, 983
	991 521 141 04 GDC	Black	-AZ,AQ,AJ		
	991 521 141 04 GHC	agate grey	-FJ,FQ,FZ		
	991 521 141 04 GFC	Luxor beige	-UJ,UQ,UZ,BT		
	991 521 141 04 GTC	Graphite Blue	-HZ		
	991 521 141 04 DUE	saddle brown	-SZ		
	991 521 141 04 GUC	Bordeaux red	-LZ,BM		
	991 521 141 04 GVC	Chalk	-BG		
(1)	991 521 141 04	Backrest cover Outer part Sports seat Plus		1	PR:323,324, -998,XWP, -XSC
	991 521 141 04 GDC	Black	-AZ,AQ,AJ		
(1)	991 521 141 05	Backrest cover Outer part Sports seat Plus		1	PR:319,320, 323,324,541, -998
	991 521 141 05 GDC	Black	-AJ,AQ,AZ		
	991 521 141 05 GHC	agate grey	-FJ,FQ,FZ		
	991 521 141 05 GFC	Luxor beige	-UJ,UQ,UZ,BT		
	991 521 141 05 GTC	Graphite Blue	-HZ		
	991 521 141 05 DUE	saddle brown	-SZ		
	991 521 141 05 GUC	Bordeaux red	-LZ,BM		
	991 521 141 05 GVC	Chalk	-BG		
(1)	991 521 141 08	Backrest cover Outer part Sports seat Plus		1	PR:319,320, 323,324,998, -541
	991 521 141 08 GKC	Espresso	-NE		
	991 521 141 08 GRC	Cognac	-BY		
(1)	991 521 141 09	Backrest cover Outer part Sports seat Plus		1	PR:319,320, 323,324,998, 541
	991 521 141 09 GKC	Espresso	-NE		
	991 521 141 09 GRC	Cognac	-BY		
(1)	9P1 881 806	Backrest cover Outer part Sports seat Plus	left a. right	1	PR:317,318, 323,324,948, -541
	9P1 881 806 JHD	Black/Dark Silver	-TD		
	9P1 881 806 GTB	Graphite Blue/Chalk	-TG		
(1)	991 521 981 06	Backrest cover Outer part Sports seat Plus		1	PR:319,320, 323,324, -541,-998, XSC,-XWP
		with:			
	991 521 981 06 GDC	Porsche crest Black	-AZ,AQ,AJ		
	991 521 981 06 GHC	Leather	-FJ,FQ,FZ		
	991 521 981 06 GFC	Leather	-UJ,UQ,UZ,BT		
	991 521 981 06 GTC	Graphite Blue	-HZ		
	991 521 981 06 DUE	saddle brown	-SZ		
	991 521 981 06 GUC	Bordeaux red	-LZ,BM		
	991 521 981 06 GVC	Chalk	-BG		
(1)	991 521 981 06	Backrest cover Outer part Sports seat Plus		1	PR:323,324, -541,-998, XWP,XSC
		with:			
	991 521 981 06 GDC	Porsche crest Black	-AZ,AQ,AJ		
(1)	991 521 981 07	Backrest cover Outer part Sports seat Plus		1	PR:319,320, 323,324,541, -998,XSC

Model: 991-16

Model life 2017>>

Pos	Part Number	Description	Remark	Qty	Model
		with:			
	991 521 981 07 GDC	Porsche crest Black	-AJ,AQ,AZ		
	991 521 981 07 GHC	Leather	-FJ,FQ,FZ		
	991 521 981 07 GFC	Leather	-UJ,UQ,UZ,BT		
	991 521 981 07 GTC	Graphite Blue	-HZ		
	991 521 981 07 DUE	saddle brown	-SZ		
	991 521 981 07 GUC	Bordeaux red	-LZ,BM		
	991 521 981 07 GVC	Chalk	-BG		
(1)	991 521 981 08	Backrest cover Outer part Sports seat Plus		1	PR:319,320, 323,324,998, -541,XSC
		with:			
	991 521 981 08 GKC	Porsche crest Espresso	-NE		
	991 521 981 08 GRC	Cognac	-BY		
(1)	991 521 981 09	Backrest cover Outer part Sports seat Plus		1	PR:319,320, 323,324,998, 541,XSC
		with:			
	991 521 981 09 GKC	Porsche crest Espresso	-NE		
	991 521 981 09 GRC	Cognac	-BY		
(1)	991 521 981 18	Backrest cover Outer part Sports seat Plus		1	PR:319,320, 323,324,948, -541,XSC
		with:			
	991 521 981 18 JHD	Porsche crest Black/Dark Silver	-TD		
	991 521 981 18 GTB	Graphite Blue/Chalk	-TG		
(1)	981 521 141 02	Backrest cover Outer part Sports seat Plus	left a. right	1	PR:011,319, 320,323,324, 951
		with:			
		GTS inscription Leather Outer part			
	981 521 141 02 DSI	Black-black	-GF,GW		
	981 521 141 02 DSY	Black/Carmine Red	-GQ		
	981 521 141 02 DVG	Black/Rhodium Silver	-GR		
(1)	9P1 881 806 A	Backrest cover Outer part Sports seat Plus	left a. right	1	PR:011,319, 320,323,324, 951,-541
		with:			
		GTS inscription Leather Alcantara Combined seat			
	9P1 881 806 A DSD	Black	-GF,GW		
	9P1 881 806 A DSA	Black/Carmine Red	-GQ		
	9P1 881 806 A DJP	Black/Rhodium Silver	-GR		
(1)	9P1 881 806 F	Seat cover (fabric/leather) backrest		1	PR-037,319, 320,324 323,948,-541
		with:			
	9P1 881 806 F 8YR	Black	-WS,YS		
	9P1 881 806 F DRM	Black/Guards Red	-WI,YI		
	9P1 881 806 F DRQ	Black/Racing Yellow	-WL,YL		
	9P1 881 806 F DSZ	black/silver	-WG,YG		
2	991 521 581 00	Foam part backrest Centre part		1	PR:319,320, 323,324,-541

Model: 991-16 Model life 2017>>

Pos	Part Number	Description	Remark	Qty	Model
(2)	991 521 581 01	Sport version Foam part backrest Centre part		1	PR:319,320, 323,324,541
3	997 624 335 00	Sport version Electric motor Seat cushion Sports seat Plus		1	PR:541
4	991 521 551 00	Backrest-padding support part		1	PR:319,320, 323,324
5	991 521 731 01	Sport version Airbag backrest		1	PR:319,320, 323,324,541
6	991 521 151 01	Sport version Backrest cushion cover Centre part Sport version		1	PR:319,320, 323,324, -541,-998, 983
	991 521 151 01 8YR	Black	-AJ,AQ,AZ		
	991 521 151 01 PL1	agate grey	-FJ,FQ,FZ		
	991 521 151 01 9H6	Luxor beige	-UJ,UQ,UZ,BT		
	991 521 151 01 OH7	Graphite Blue	-HZ		
	991 521 151 01 OK6	saddle brown	-SZ		
	991 521 151 01 OG6	Bordeaux red	-LZ,BM		
	991 521 151 01 OL8	Chalk	-BG		
(6)	991 521 151 03	Backrest cushion cover Centre part Sport version		1	PR:319,320, 323,324,541, -998
	991 521 151 03 8YR	Black	-AJ,AQ,AZ		
	991 521 151 03 PL1	agate grey	-FJ,FQ,FZ		
	991 521 151 03 9H6	Luxor beige	-UJ,UQ,UZ,BT		
	991 521 151 03 OH7	Graphite Blue	-HZ		
	991 521 151 03 OK6	saddle brown	-SZ		
	991 521 151 03 OG6	Bordeaux red	-LZ,BM		
	991 521 151 03 OL8	Chalk	-BG		
(6)	991 521 151 05	Backrest cushion cover Centre part Sport version		1	PR:319,320, 323,324,998, -541
	991 521 151 05 8C0	Espresso	-NE		
	991 521 151 05 9EF	Cognac	-BY		
(6)	991 521 151 06	Backrest cushion cover Centre part Sport version		1	PR:319,320, 323,324,998, 541
	991 521 151 06 8C0	Espresso	-NE		
	991 521 151 06 9EF	Cognac	-BY		
(6)	981 521 151 00	Backrest cushion cover Centre part Sport version		1	PR:319,320, 323,324,951, -541,011
	981 521 151 00 2W0	Black	-GF,GQ,GR,GW		
7	991 521 899 00	Clip Cushioning backrest Sport version		1	PR:319,320, 323,324
8	991 521 721 04	Airbag with heating Seat cushion sports seat		1	PR:319,320, 541
(8)	991 521 721 05	Airbag with heating Seat cushion sports seat Position Deep		1	PR:323,324, 541

Model: 991-16 Model life 2017>>

Pos	Part Number	Description	Remark	Qty	Model
9	991 521 539 00	Adjustable Foam part Seat cushion Sport version Position Deep		1	PR:323,324, -541
(9)	991 521 539 01	Adjustable Foam part Seat cushion Sports seat Plus Position Deep		1	PR:323,324, 541
10	991 521 535 02	Adjustable Foam part backrest Outer part Sport version		1	PR:319,320, -541
(10)	991 521 535 03	Foam part backrest Outer part Sport version		1	PR:319,320, 541
(10)	991 521 535 04	Foam part backrest Outer part Sports seat Plus		1	PR:323,324, -541
(10)	991 521 535 05	Foam part backrest Outer part Sports seat Plus		1	PR:323,324, 541
11	991 521 161 38	Seat cover Sports seat Plus	left	1	PR:319,320, -541,-998, 983
	991 521 161 38 GDC	Black	-AJ,AQ,AZ		
	991 521 161 38 GHC	agate grey	-FJ,FQ,FZ		
	991 521 161 38 GFC	Luxor beige	-UJ,UQ,UZ,BT		
	991 521 161 38 GTC	Graphite Blue	-HZ		
	991 521 161 38 DUE	saddle brown	-SZ		
	991 521 161 38 GUC	Bordeaux red	-LZ,BM		
	991 521 161 38 GVC	Chalk	-BG		
(11)	991 521 162 38	Seat cover Sports seat Plus	right	1	PR:320,319, -541,-998, 983
	991 521 162 38 GDC	Black	-AJ,AQ,AZ		
	991 521 162 38 GHC	agate grey	-FJ,FQ,FZ		
	991 521 162 38 GFC	Luxor beige	-UJ,UQ,UZ,BT		
	991 521 162 38 GTC	Graphite Blue	-HZ		
	991 521 162 38 DUE	saddle brown	-SZ		
	991 521 162 38 GUC	Bordeaux red	-LZ,BM		
	991 521 162 38 GVC	Chalk	-BG		
(11)	991 521 161 39	Seat cover Sports seat Plus	left	1	PR:319,998, 320,-541
	991 521 161 39 GKC	Espresso	-NE		
	991 521 161 39 GRC	Cognac	-BY		
(11)	991 521 162 39	Seat cover Sports seat Plus	right	1	PR:320,998, 319,-541
	991 521 162 39 GKC	Espresso	-NE		
	991 521 162 39 GRC	Cognac	-BY		
(11)	991 521 161 40	Seat cover Sports seat Plus	left	1	PR:319,541, -998,320
	991 521 161 40 GDC	Black	-AJ,AQ,AZ		
	991 521 161 40 GHC	agate grey	-FJ,FQ,FZ		
	991 521 161 40 GFC	Luxor beige	-UJ,UQ,UZ,BT		
	991 521 161 40 GTC	Graphite Blue	-HZ		



Model: 991-16 Model life 2017>>

Pos	Part Number	Description	Remark	Qty	Model
(11)	991 521 161 40 DUE	saddle brown	-SZ	1	PR:320,541, -998,319
	991 521 161 40 GUC	Bordeaux red	-LZ,BM		
	991 521 161 40 GVC	Chalk	-BG		
	991 521 162 40	Seat cover Sports seat Plus	right		
	991 521 162 40 GDC	Black	-AJ,AQ,AZ		
	991 521 162 40 GHC	agate grey	-FJ,FQ,FZ		
	991 521 162 40 GFC	Luxor beige	-UJ,UQ,UZ,BT		
	991 521 162 40 GTC	Graphite Blue	-HZ		
	991 521 162 40 DUE	saddle brown	-SZ		
	991 521 162 40 GUC	Bordeaux red	-LZ,BM		
(11)	991 521 162 40 GVC	Chalk	-BG	1	PR:319,541, 998,320
	991 521 161 41	Seat cover Sports seat Plus	left		
	991 521 161 41 GKC	Espresso	-NE		
(11)	991 521 161 41 GRC	Cognac	-BY	1	PR:320,541, 998,319
	991 521 162 41	Seat cover Sports seat Plus	right		
(11)	991 521 162 41 GKC	Espresso	-NE	1	PR:323,-541, -998,324, -XWP,-948, -011
	991 521 162 41 GRC	Cognac	-BY		
(11)	991 521 161 42	Seat cover Sports seat Plus	left	1	PR:324,-541, -998,323, -XWP,-948, -011
	991 521 161 42 GDC	Black	-AJ,AQ,AZ		
	991 521 161 42 GHC	agate grey	-FJ,FQ,FZ		
	991 521 161 42 GFC	Luxor beige	-UJ,UQ,UZ,BT		
	991 521 161 42 GTC	Graphite Blue	-HZ		
	991 521 161 42 DUE	saddle brown	-SZ		
	991 521 161 42 GUC	Bordeaux red	-LZ,BM		
	991 521 161 42 GVC	Chalk	-BG		
	991 521 162 42	Seat cover Sports seat Plus	right		
	(11)	991 521 162 42 GDC	Black		
991 521 162 42 GHC		agate grey	-FJ,FQ,FZ		
991 521 162 42 GFC		Luxor beige	-UJ,UQ,UZ,BT		
991 521 162 42 GTC		Graphite Blue	-HZ		
991 521 162 42 DUE		saddle brown	-SZ		
991 521 162 42 GUC		Bordeaux red	-LZ,BM		
991 521 162 42 GVC		Chalk	-BG		
991 521 161 43		Seat cover Sports seat Plus	left		
991 521 161 43 GKC		Espresso	-NE		
991 521 161 43 GRC		Cognac	-BY		
(11)	991 521 162 43	Seat cover Sports seat Plus	right	1	PR:324,998, 323,-541
	991 521 162 43 GKC	Espresso	-NE		
(11)	991 521 162 43 GRC	Cognac	-BY	1	PR:323,-998, 541,983
	991 521 161 44	Seat cover Sports seat Plus	left		
(11)	991 521 161 44 GDC	Black	-AJ,AQ,AZ,GG, GY	1	PR:324,-998, 541,983
	991 521 161 44 GHC	agate grey	-FJ,FQ,FZ		
	991 521 161 44 GFC	Luxor beige	-UJ,UQ,UZ,BT		
	991 521 161 44 GTC	Graphite Blue	-HZ		
	991 521 161 44 DUE	saddle brown	-SZ		
	991 521 161 44 GUC	Bordeaux red	-LZ,BM		
	991 521 161 44 GVC	Chalk	-BG		
	991 521 162 44	Seat cover Sports seat Plus	right		
	991 521 162 44 GDC	Black	-AJ,AQ,AZ,GG,		

Model: 991-16 Model life 2017>>

Pos	Part Number	Description	Remark	Qty	Model
	991 521 162 44 GHC	agate grey	GY		
	991 521 162 44 GFC	Luxor beige	-FJ,FQ,FZ		
	991 521 162 44 GTC	Graphite Blue	-UJ,UQ,UZ,BT		
	991 521 162 44 DUE	saddle brown	-HZ		
	991 521 162 44 GUC	Bordeaux red	-SZ		
	991 521 162 44 GVC	Chalk	-LZ,BM		
(11)	991 521 161 45	Seat cover	-BG	1	PR:323,541,
		Sports seat Plus	left		998,324
	991 521 161 45 GKC	Espresso	-NE		
	991 521 161 45 GRC	Cognac	-BY		
(11)	991 521 162 45	Seat cover		1	PR:324,541,
		Sports seat Plus	right		998,323
	991 521 162 45 GKC	Espresso	-NE		
	991 521 162 45 GRC	Cognac	-BY		
(11)	991 521 015 55	Seat cover		1	PR:323,XWP,
		Sports seat Plus	left		-541,-998
	991 521 015 55 DSJ	Black	-AQ,AZ		
(11)	991 521 016 55	Seat cover		1	PR:324,XWP,
		Sports seat Plus	right		-541,-998
	991 521 016 55 DSJ	Black	-AQ,AZ		
(11)	9P1 881 405	Seat cover		1	PR:319,948,
		Sports seat Plus	left		-541
	9P1 881 405 JHD	Black/Dark Silver	-TD		
	9P1 881 405 GTB	Graphite Blue/Chalk	-TG		
(11)	9P1 881 406	Seat cover		1	PR:320,948,
		Sports seat Plus	right		-541
	9P1 881 406 JHD	Black/Dark Silver	-TD		
	9P1 881 406 GTB	Graphite Blue/Chalk	-TG		
(11)	9P1 881 405 A	Seat cover		1	PR:323,948,
		Sports seat Plus	left		-541
	9P1 881 405 A JHD	Black/Dark Silver	-TD		
	9P1 881 405 A GTB	Graphite Blue/Chalk	-TG		
(11)	9P1 881 405 A	Seat cover		1	PR:323,948,
		Sports seat Plus	left		-541
	9P1 881 405 A JHD	Black/Dark Silver	-TD		
	9P1 881 405 A GTB	Graphite Blue/Chalk	-TG		
(11)	9P1 881 406 A	Seat cover		1	PR:324,948,
		Sports seat Plus	right		-541
	9P1 881 406 A JHD	Black/Dark Silver	-TD		
	9P1 881 406 A GTB	Graphite Blue/Chalk	-TG		
(11)	9P1 881 405 B	Seat cover		1	PR:319,951,
		Sports seat Plus	left		-541,011
	9P1 881 405 B DSD	Black	-GF,GW		
	9P1 881 405 B DSA	Black/Carmine Red	-GQ		
	9P1 881 405 B DJP	Black/Rhodium Silver	-GR		
(11)	9P1 881 406 B	Seat cover		1	PR:320,951,
		Sports seat Plus	right		-541,011
	9P1 881 406 B DSD	Black	-GF,GW		
	9P1 881 406 B DSA	Black/Carmine Red	-GQ		
	9P1 881 406 B DJP	Black/Rhodium Silver	-GR		
(11)	9P1 881 405 C	Seat cover		1	PR:323,951,
		Sports seat Plus	left		-541,011
	9P1 881 405 C DSD	Black	-GF,GW		
	9P1 881 405 C DSA	Black/Carmine Red	-GQ		
	9P1 881 405 C DJP	Black/Rhodium Silver	-GR		
(11)	9P1 881 406 C	Seat cover		1	PR:324,951,
		Sports seat Plus	right		-541,011
	9P1 881 406 C DSD	Black	-GF,GW		
	9P1 881 406 C DSA	Black/Carmine Red	-GQ		
	9P1 881 406 C DJP	Black/Rhodium Silver	-GR		
(11)	9P1 881 405 AF	Seat cover (fabric/leather)		1	PR-090,319,
					948,-541

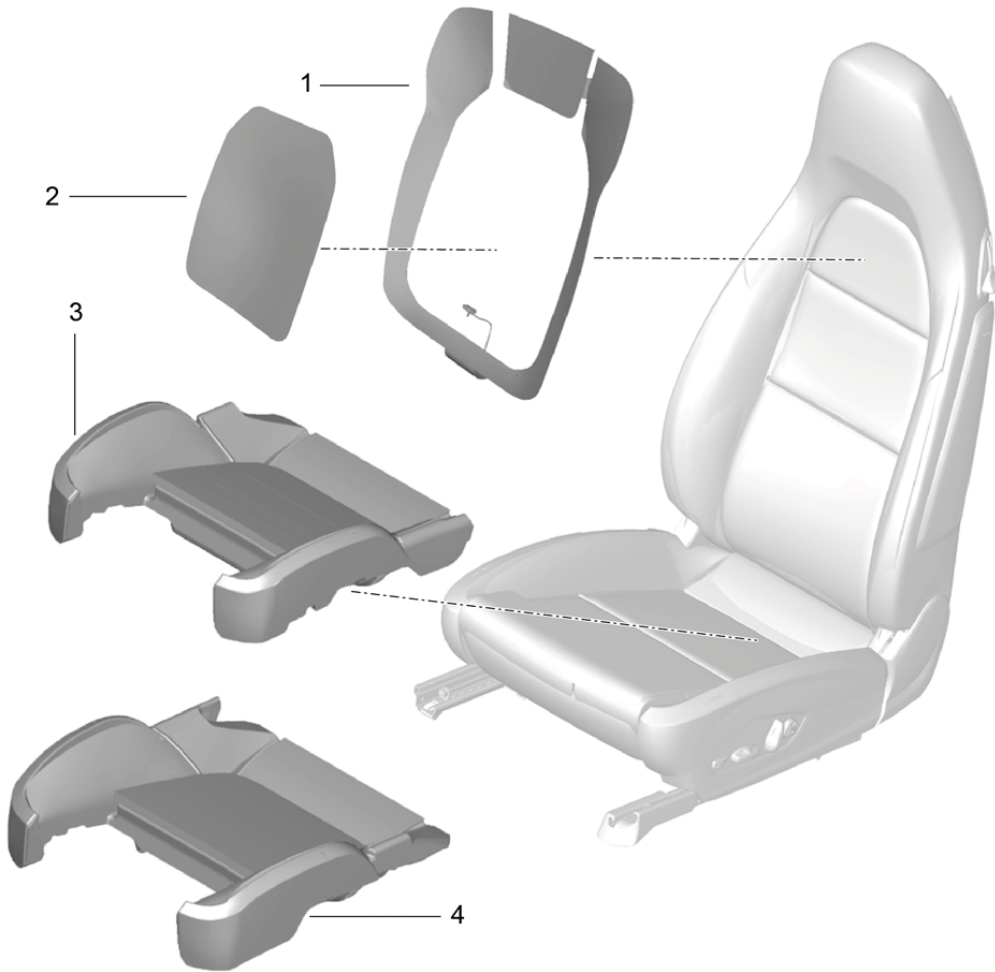
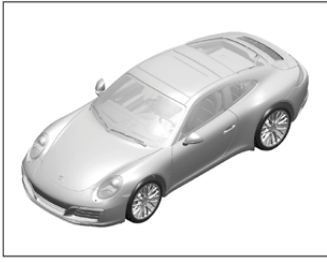
Model: 991-16

Model life 2017>>

Pos	Part Number	Description	Remark	Qty	Model
(11)	9P1 881 405 AF TCB	Black/Guards Red	-WI,YI	1	PR-090,320, 948,-541
	9P1 881 405 AF TCC	Black/Racing Yellow	-WL,YL		
	9P1 881 405 AF TCD	black/silver	-WG,YG		
	9P1 881 406 BP	Seat cover (fabric/leather)			
(11)	9P1 881 406 BP TCB	Black/Guards Red	-WI,YI	1	PR-090,323, 948,-541
	9P1 881 406 BP TCC	Black/Racing Yellow	-WL,YL		
	9P1 881 406 BP TCD	black/silver	-WG,YG		
	9P1 881 405 AG	Seat cover (fabric/leather)			
(11)	9P1 881 405 AG TCB	Black/Guards Red	-WI,YI	1	PR-090,324, 948,-541
	9P1 881 405 AG TCC	Black/Racing Yellow	-WL,YL		
	9P1 881 405 AG TCD	black/silver	-WG,YG		
	9P1 881 406 BQ	Seat cover (fabric/leather)			
12	9P1 881 406 BQ TCB	Black/Guards Red	-WI,YI	1	PR:319,-541, 320,-560
	9P1 881 406 BQ TCC	Black/Racing Yellow	-WL,YL		
	9P1 881 406 BQ TCD	black/silver	-WG,YG		
(12)	991 521 571 04	Foam part Seat cushion Sports seat Plus	left	1	PR:319,541, 320,-560
	991 521 572 12	Foam part Seat cushion Sports seat Plus	right		
		991 521 571 05	Foam part Seat cushion Sports seat Plus		
(12)	991 521 572 13	Foam part Seat cushion Sports seat Plus	right	1	PR:320,541, -560,319
		991 521 571 06	Foam part Seat cushion Sports seat Plus		
	991 521 572 14	Foam part Seat cushion Sports seat Plus Adjustable	right		
(12)	991 521 571 07	Foam part Seat cushion Sports seat Plus	left	1	PR:323,541, 324,-560
		991 521 572 15	Foam part Seat cushion Sports seat Plus Adjustable		
	991 521 891 00	Clip Backrest cover			

Model: 991-16

Model life 2017>>



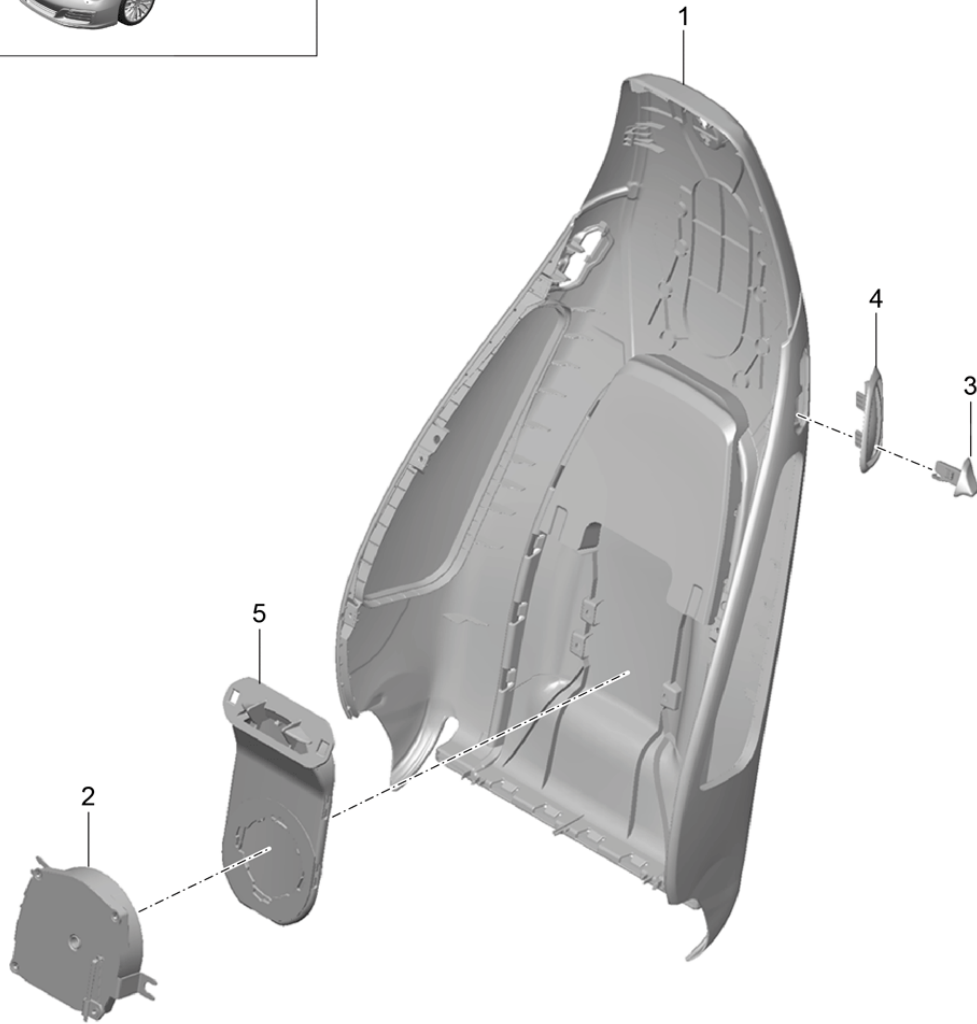
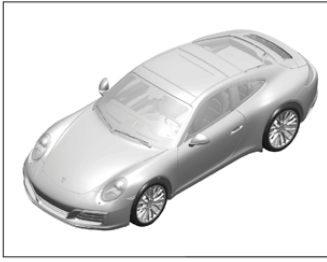
Model: 991-16

Model life 2017>>

Pos	Part Number	Description	Remark	Qty	Model
1	991 653 107 02	Heating element Backrest side bolster Centre part Seat surface		2	PR:315,316, 321,322,342, -541
(1)	991 653 127 02	Heating element Backrest side bolster	left	2	PR:319,320, 323,324,342, -541
(1)	991 653 108 02	Heating element Backrest side bolster		2	PR:315,316, 321,322,342, -541
(1)	991 653 126 02	Heating element Backrest side bolster	right	2	PR:319,320, 323,324,342, -541
2	991 653 106 02	Heating element Centre part backrest		2	PR:315,316, 319,320,321, 322,323,324, 342,-541
3	991 653 105 03	Heating element Seat cushion		2	PR:315,316, 342,-541
(3)	991 653 125 03	Heating element Seat cushion		2	PR:319,320, 342,-541
4	991 653 135 03	Heating element Seat cushion Adjustable Deep		2	PR:323,324, 342

Model: 991-16

Model life 2017>>



Model: 991-16 Model life 2017>>

Pos	Part Number	Description	Remark	Qty	Model
1	991 521 303 03	Backrest shell Sports seat Plus Accessories	left	1	PR:319,323, -XWK
(1)	991 521 303 03 D20	silver grey metallic			
(1)	991 521 304 03	Backrest shell Sport version	right	1	PR:320,324, -XKW
(1)	991 521 304 03 D20	silver grey metallic			
(1)	991 521 983 02	Backrest shell Sports seat Plus	left	1	PR:XWK,319, 983,-998
	991 521 983 02 OK6	saddle brown	-SZ		
	991 521 983 02 OG6	Bordeaux red	-LZ,BM		
	991 521 983 02 A11	Black	-GG,GY,AJ,AQ, AZ		
	991 521 983 02 7J0	Luxor beige	-UJ,UQ,UZ,BT		
	991 521 983 02 OH7	Graphite Blue	-HZ		
	991 521 983 02 OA1	agate grey	-FJ,FQ,FZ		
	991 521 983 02 OL8	Chalk	-BG		
(1)	991 521 983 02	Backrest shell Sports seat Plus	left	1	PR:XWK,319, 951
	991 521 983 02 A11	Black	-GF,GW		
	991 521 983 02 DSK	Black/Carmine Red	-GQ		
	991 521 983 02 HAG	Black/Rhodium Silver	-GR		
(1)	991 521 984 02	Backrest shell Sports seat Plus	right	1	PR:XWK,320, 951
	991 521 984 02 A11	Black	-GF,GW		
	991 521 984 02 DSK	Black/Carmine Red	-GQ		
	991 521 984 02 HAG	Black/Rhodium Silver	-GR		
(1)	991 521 984 02	Backrest shell Sports seat Plus	right	1	PR:XWK,320, 983,-998
	991 521 984 02 OK6	saddle brown	-SZ		
	991 521 984 02 OG6	Bordeaux red	-LZ,BM		
	991 521 984 02 A11	Black	-GG,GY,AJ,AQ, AZ		
	991 521 984 02 7J0	Luxor beige	-UJ,UQ,UZ,BT		
	991 521 984 02 OH7	Graphite Blue	-HZ		
	991 521 984 02 OA1	agate grey	-FJ,FQ,FZ		
	991 521 984 02 OL8	Chalk	-BG		
(1)	991 521 983 03	Backrest shell Sports seat Plus	left	1	PR:XWK,319, 983,998
	991 521 983 03 6J0	Espresso	-NE		
	991 521 983 03 7F0	Cognac	-BY		
(1)	991 521 984 03	Backrest shell Sports seat Plus	right	1	PR:XWK,320, 983,998
	991 521 984 03 6J0	Espresso	-NE		
	991 521 984 03 7F0	Cognac	-BY		
(1)	991 521 983 04	Backrest shell Sports seat Plus	left	1	PR:XWK,XWP, 323,998
	991 521 983 04 A11	Black	-AJ,AQ,AZ		
(1)	991 521 983 04	Backrest shell Sports seat Plus	left	1	PR:XWK,323, 951
	991 521 983 04 A11	Black	-GF,GW		
	991 521 983 04 DSK	Black/Carmine Red	-GQ		
	991 521 983 04 HAG	Black/Rhodium Silver	-GR		
(1)	991 521 983 04	Backrest shell Sports seat Plus	left	1	PR:XWK,323, 983,-998
	991 521 983 04 A11	Black	-GG,GY,AJ,AQ, AZ		
	991 521 983 04 OA1	agate grey	-FJ,FQ,FZ		
	991 521 983 04 7J0	Luxor beige	-UJ,UZ,BT,UQ		
	991 521 983 04 OH7	Graphite Blue	-HZ		
	991 521 983 04 OK6	saddle brown	-SZ		

Model: 991-16

Model life 2017&gt;&gt;

Pos	Part Number	Description	Remark	Qty	Model
	991 521 983 04 OG6	Bordeaux red	-LZ, BM		
	991 521 983 04 OL8	Chalk	-BG		
(1)	991 521 984 04	Backrest shell Sports seat Plus	left	1	PR: XWK, 324, 983, -998
	991 521 984 04 A11	Black	-GG, GY, AJ, AQ, AZ		
	991 521 984 04 OA1	agate grey	-FJ, FQ, FZ		
	991 521 984 04 7J0	Luxor beige	-UJ, UZ, BT, UQ		
	991 521 984 04 OH7	Graphite Blue	-HZ		
	991 521 984 04 OK6	saddle brown	-SZ		
	991 521 984 04 OG6	Bordeaux red	-LZ, BM		
	991 521 984 04 OL8	Chalk	-BG		
(1)	991 521 983 05	Backrest shell Sports seat Plus	left	1	PR: XWK, 323, 983, 998
	991 521 983 05 6J0	Espresso			
	991 521 983 05 7F0	Cognac			
(1)	991 521 984 05	Backrest shell Sports seat Plus	right	1	PR: XWK, 324, 983, 998
	991 521 984 05 6J0	Espresso			
	991 521 984 05 7F0	Cognac			
(1)	991 521 985 01	Backrest shell Sports seat Plus Leatherette	left	1	PR: XWK, 319, 323, 983, -998
	991 521 985 01 A11	Black	-GG, GY, AJ, AQ, AZ		
	991 521 985 01 OA1	agate grey	-FJ, FQ, FZ		
	991 521 985 01 7J0	Luxor beige	-UJ, UQ, UZ, BT		
	991 521 985 01 OH7	Graphite Blue	-HZ		
	991 521 985 01 OK6	saddle brown	-SZ		
	991 521 985 01 OG6	Bordeaux red	-LZ, BM		
	991 521 985 01 OL8	Chalk	-BG		
(1)	991 521 985 01	Backrest shell Sports seat Plus Alcantara	left	1	PR: XWK, XWP, 319, 323, 951, -998
	991 521 985 01 A11	Black	-GF, GW, AJ, AQ, AZ		
	991 521 985 01 DSK	Black/Carmine Red	-GQ		
	991 521 985 01 HAG	Black/Rhodium Silver	-GR		
(1)	991 521 986 01	Backrest shell Sports seat Plus Leatherette	right	1	PR: XWK, 320, 324, 983, -998
	991 521 986 01 A11	Black	-GG, GY, AJ, AQ, AZ		
	991 521 986 01 OA1	agate grey	-FJ, FQ, FZ		
	991 521 986 01 7J0	Luxor beige	-UJ, UQ, UZ, BT		
	991 521 986 01 OH7	Graphite Blue	-HZ		
	991 521 986 01 OK6	saddle brown	-SZ		
	991 521 986 01 OG6	Bordeaux red	-LZ, BM		
	991 521 986 01 OL8	Chalk	-BG		
(1)	991 521 986 01	Backrest shell Sports seat Plus Alcantara	right	1	PR: XWK, XWP, 320, 324, 951, -998
	991 521 986 01 A11	Black	-GF, GW, AJ, AQ, AZ		
	991 521 986 01 DSK	Black/Carmine Red	-GQ		
	991 521 986 01 HAG	Black/Rhodium Silver	-GR		
(1)	991 521 985 02	Backrest shell Sports seat Plus Leather	left	1	PR: XWK, 319, 323, 983, 998
	991 521 985 02 6J0	Espresso	-NE		
	991 521 985 02 7F0	Cognac	-BY		
(1)	991 521 986 02	Backrest shell Sports seat Plus	right	1	PR: XWK, 320, 324, 983, 998

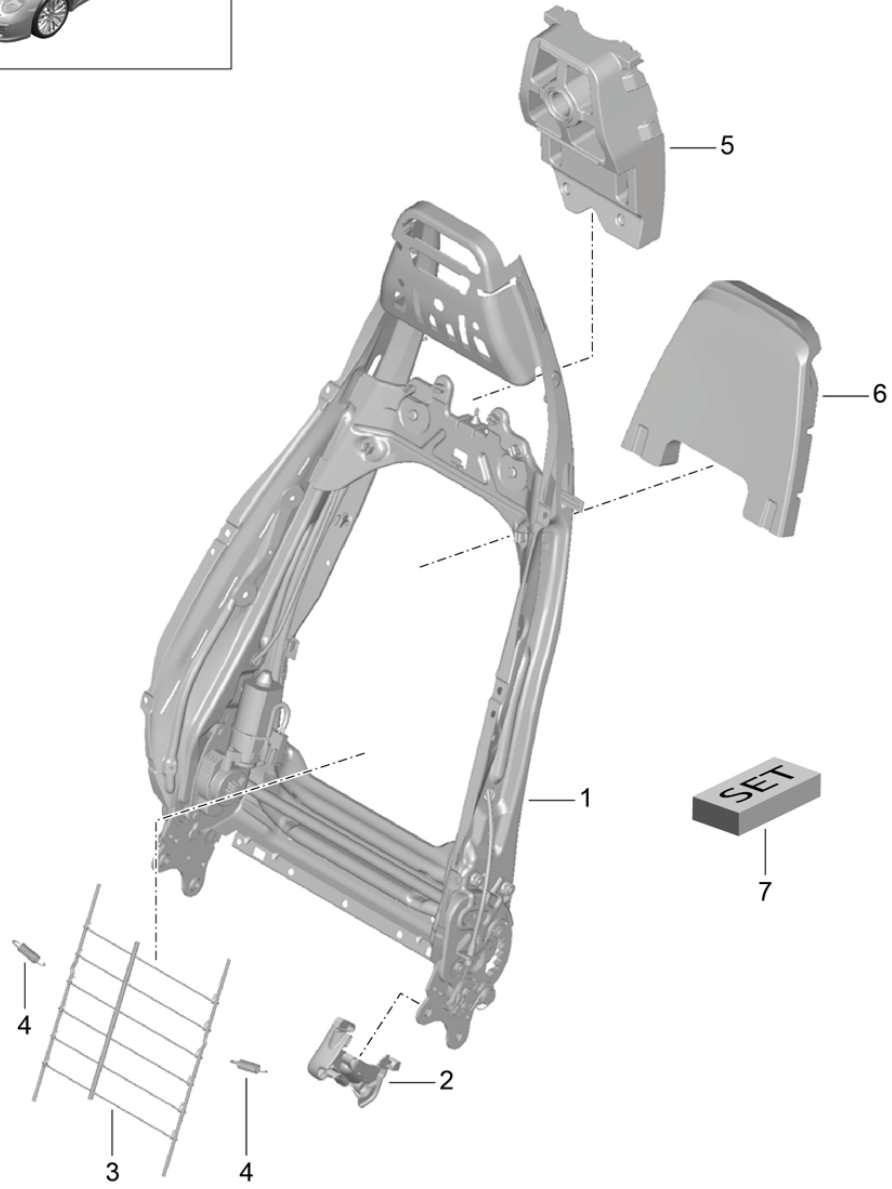
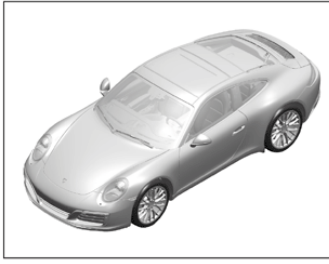


Model: 991-16 Model life 2017>>

Pos	Part Number	Description	Remark	Qty	Model
2	991 521 986 02 6J0	Leather Espresso	-NE	1	PR:541
	991 521 986 02 7F0	Cognac	-BY		
3	997 624 337 00	Electric motor backrest		1	PR:315,316,319,320,321,322,324
	991 521 623 00	Actuator button lever for folding backrest Sport version	left		
(3)	991 521 623 00 V08	Galvano silver		1	PR:315,316,319,320,321,322,324
	991 521 624 00	Actuator button lever for folding backrest Sport version	right		
4	991 521 624 00 V08	Galvano silver		1	PR:319,320,323,324,-XWK
	991 521 621 01	Rosette Actuator button Sport version lever for folding backrest	left		
(4)	991 521 621 01 D20	silver grey metallic		1	PR:319,320,323,324,-XWK
	991 521 622 01	Rosette Actuator button Sport version lever for folding backrest	right		
(4)	991 521 622 01 D20	silver grey metallic		1	PR:319,320,323,324,-XWK
	991 521 987 01	Rosette Actuator button Sport version lever for folding backrest	left		
(4)	991 521 987 01 5Q0	Black	-GF,GG,GQ,GR, GW,GY,AJ,AQ, AZ,99	1	PR:319,320,323,324,-XWK
	991 521 987 01 OA6	agate grey	-FJ,FQ,FZ		
	991 521 987 01 6W0	Luxor beige	-UJ,UQ,UZ,BT		
	991 521 987 01 OH7	Graphite Blue	-HZ		
	991 521 987 01 OL7	saddle brown	-SZ		
	991 521 987 01 OG6	Bordeaux red	-LZ,BM		
	991 521 987 01 OL8	Chalk	-BG		
	991 521 987 01 3T0	Espresso	-NE		
	991 521 987 01 2S0	Cognac	-BY		
	991 521 988 01	Rosette Actuator button Sport version lever for folding backrest	right		
	991 521 988 01 5Q0	Black	-GF,GG,GQ,GR, GW,GY,AJ,AQ, AZ,99		
	991 521 988 01 OA6	agate grey	-FJ,FQ,FZ		
	991 521 988 01 6W0	Luxor beige	-UJ,UQ,UZ,BT		
	991 521 988 01 OH7	Graphite Blue	-HZ		
	991 521 988 01 OL7	saddle brown	-SZ		
	991 521 988 01 OG6	Bordeaux red	-LZ,BM		
	991 521 988 01 OL8	Espresso	-BG		
	991 521 988 01 3T0	Espresso	-NE		
	991 521 988 01 2S0	Cognac	-BY		
	5	997 521 733 00	Air guide channel backrest		

Model: 991-16

Model life 2017>>



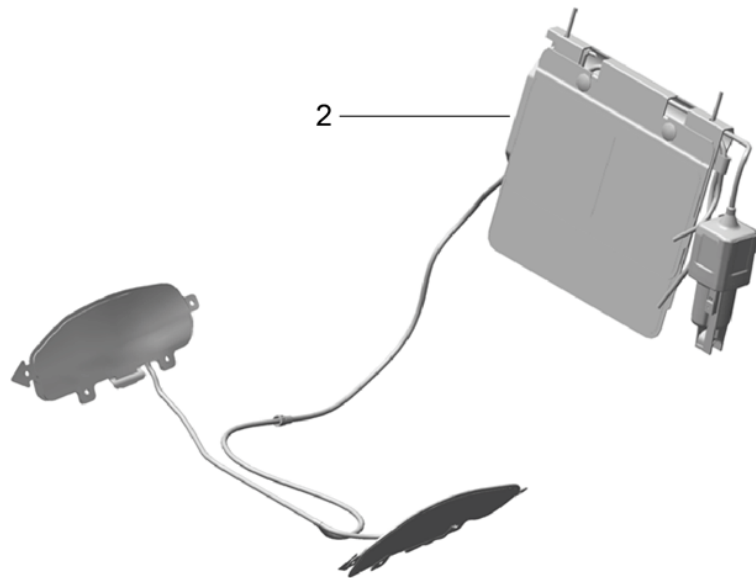
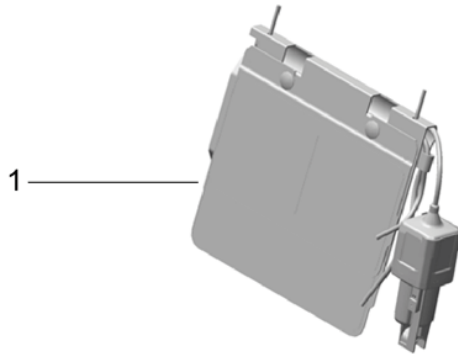
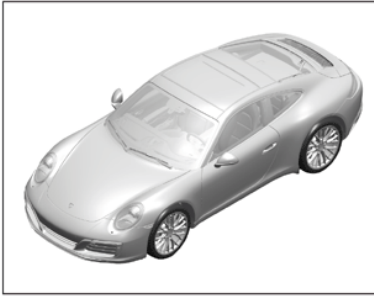
Model: 991-16

Model life 2017>>

Pos	Part Number	Description	Remark	Qty	Model
1	9P1 881 045 E	Backrest frame Sports seat Plus Accessories backrest frame Sport version No memory function		1	PR:319,320
(1)	9P1 881 045 F	backrest frame sports seat With memory function		1	PR:323,324
2	991 521 335 01	Cover panel Mounting component Sport version	left inner	1	PR:319,323, -XWK
2	991 521 335 01 D20 991 521 338 01	silver grey metallic Cover panel Mounting component Sport version	left inner	1	PR:319,323, -XWK
(2)	991 521 338 01 D20 991 521 336 01	silver grey metallic Cover panel Mounting component Sport version	right inner	1	PR:320,324, -XWK
(2)	991 521 336 01 D20 991 521 337 01	silver grey metallic Cover panel Mounting component Sport version	right inner	1	PR:320,324, -XWK
(2)	991 521 337 01 D20 991 521 993 02	silver grey metallic Trim Mounting component Sport version	left inner	1	PR:XKW,319, 323
(2)	991 521 993 02 5Q0 991 521 994 02	Black Trim Mounting component Sport version	right inner	1	PR:XKW,320, 324
(2)	991 521 994 02 5Q0 991 521 338 01	Black Cover panel Mounting component Sport version	inner	1	PR:315,319, 321,323,-XWK
3	991 521 338 01 D20 991 521 855 00	silver grey metallic Grille Backrest frame		1	PR:319,320, 323,324
4	991 521 893 00	tension spring Grille Backrest frame	left a. right	1	PR:319,320, 323,324
5	991 521 887 02	Foam part Head restraint Backrest frame Sport version		1	PR:319,320, 323,324
6	991 521 897 01	Foam part backrest Backrest frame Sport version		1	PR:319,320, 323,324
7	991 521 902 00	repair set backrest Fasteners		1	

Model: 991-16

Model life 2017>>



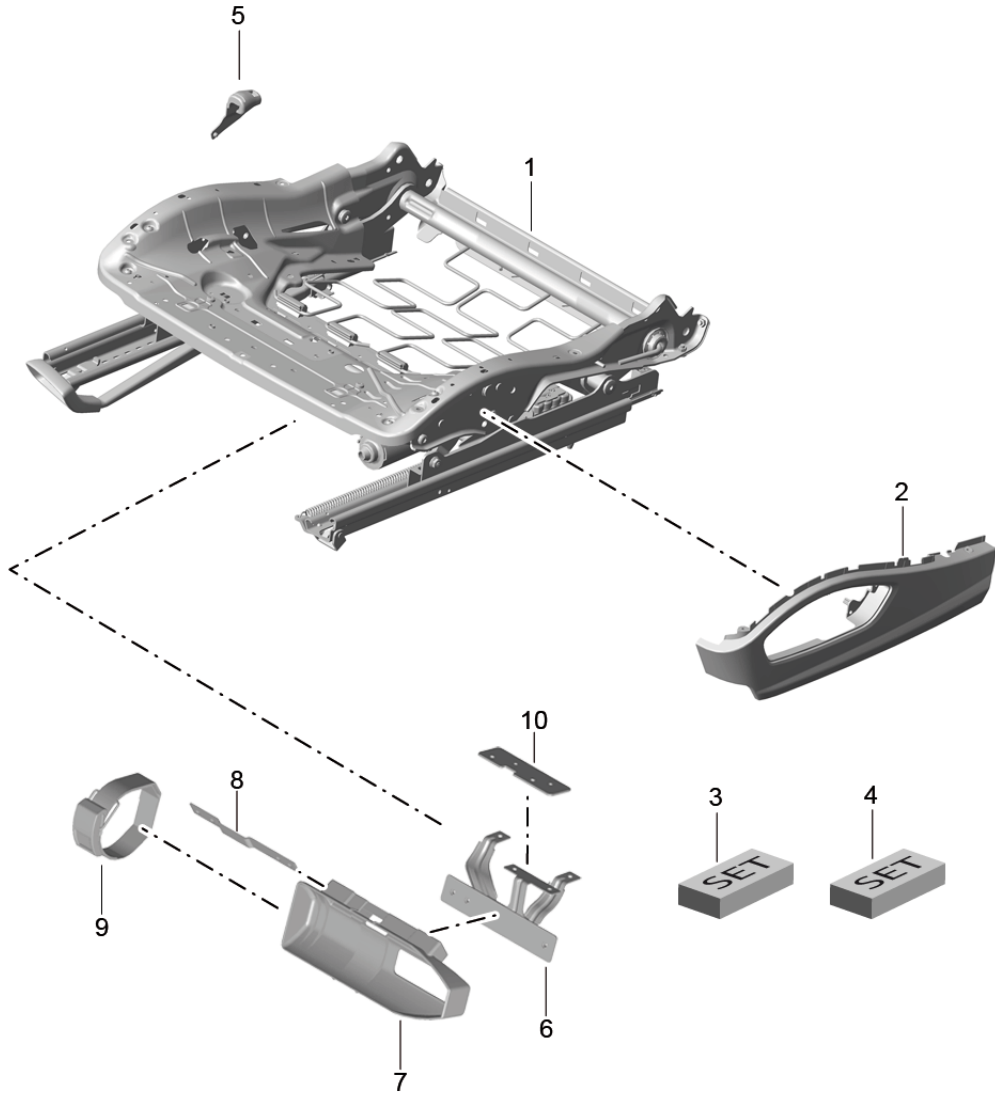
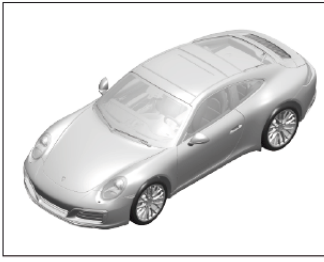
Model: 991-16

Model life 2017>>

Pos	Part Number	Description	Remark	Qty	Model
1	991 521 394 00	Lumbar support Accessories Lumbar support Units With memory function		1	PR:322
(1)	991 521 393 00	Lumbar support Units With memory function		1	PR:321
2	991 521 394 01	Lumbar support Units With memory function		1	PR:324
(2)	991 521 393 01	Lumbar support Units With memory function		1	PR:323

Model: 991-16

Model life 2017>>



Model: 991-16

Model life 2017&gt;&gt;

Pos	Part Number	Description	Remark	Qty	Model
1	9P1 881 105 F	Seat frame Sports seat Plus Accessories	left	1	PR:315,319
1	9P1 881 106 F	Seat frame sports seat	right	1	PR:316,320
(1)	9P1 881 105 G	Seat frame (electrically adjustable) Sports seat Plus Electric	left	1	PR:321,323
(1)	9P1 881 106 G	With memory function Seat frame (electrically adjustable) Sports seat Plus Electric	right	1	PR:322,324
2	991 521 325 00	Trim for switch Sports seat Plus	left	1	PR:315,319, 321,323,-XWK
(2)	991 521 325 00 D20	silver grey metallic	-GF,GG,GQ,GR		
(2)	991 521 326 00	Trim for switch Sports seat Plus	right	1	PR:316,320, 322,324,-XWK
(2)	991 521 326 00 D20	silver grey metallic	-GF,GG,GQ,GR		
(2)	991 521 989 01	Trim for switch Sports seat Plus	left	1	PR:XWK,319, 323,983,-998
	991 521 989 01 A11	Black	-AJ,AQ,AZ		
	991 521 989 01 7J0	Luxor beige	-UJ,UQ,UZ,BT		
	991 521 989 01 OA1	agate grey	-FJ,FQ,FZ		
	991 521 989 01 OH7	Graphite Blue	-HZ		
	991 521 989 01 OK6	saddle brown	-SZ		
	991 521 989 01 OG6	Bordeaux red	-LZ,BM		
	991 521 989 01 OL8	Chalk	-BG		
(2)	991 521 990 01	Trim for switch Sports seat Plus	right	1	PR:XWK,320, 324,983,-998
	991 521 990 01 A11	Black	-AJ,AQ,AZ		
	991 521 990 01 7J0	Luxor beige	-UJ,UQ,UZ,BT		
	991 521 990 01 OA1	agate grey	-FJ,FQ,FZ		
	991 521 990 01 OH7	Graphite Blue	-HZ		
	991 521 990 01 OK6	saddle brown	-SZ		
	991 521 990 01 OG6	Bordeaux red	-LZ,BM		
	991 521 990 01 OL8	Chalk	-BG		
(2)	991 521 989 02	Trim for switch Sports seat Plus	left	1	PR:XWK,319, 323,983,998
	991 521 989 02 6J0	Espresso	-NE		
	991 521 989 02 7F0	Cognac	-BY		
(2)	991 521 990 02	Trim for switch Sports seat Plus	right	1	PR:XWK,320, 324,983,998
	991 521 990 02 6J0	Espresso	-NE		
	991 521 990 02 7F0	Cognac	-BY		
3	991 521 901 00	repair set Seat frame		1	
5	991 521 612 00	Set of fastening parts Protective plate Belt latch Seat frame		1	PR:316,322, 324,560
6	997 521 251 01	Front seat Holder for fire extinguisher		1	PR:099,509
(6)	997 521 252 01	Holder for fire extinguisher		1	PR:098,509
7	7PP 882 650	Cup Fire extinguishers		1	PR:509
8	7PP 882 649	Insert Cup Fire extinguishers		1	PR:509

Model: 991-16

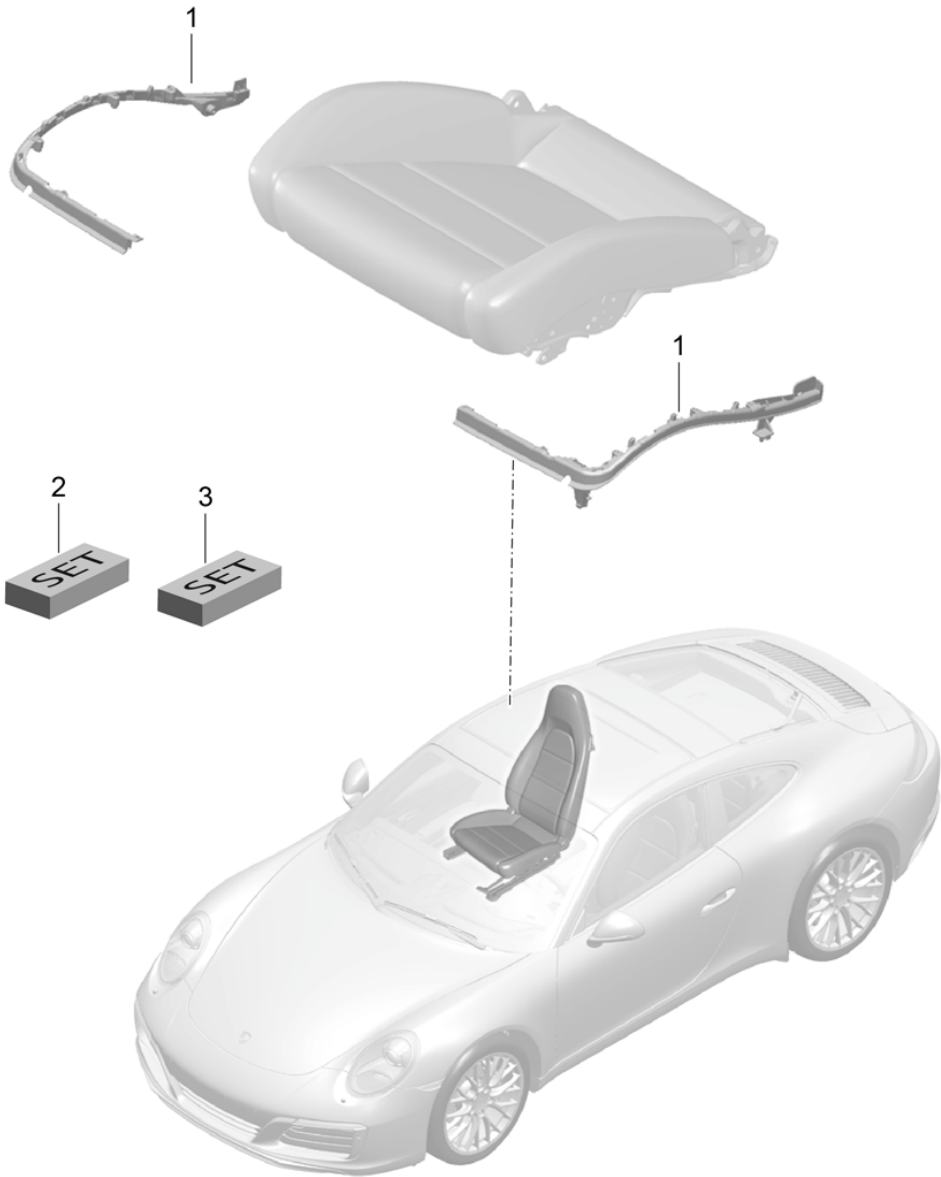
Model life 2017&gt;&gt;

Pos	Part Number	Description	Remark	Qty	Model
9	7PP 882 645	tensioning strap Fire extinguishers		1	PR:509
10	997 521 841 00	Reinforcement Bracket Fire extinguishers	front	1	PR:509
(10)	997 521 843 00	Reinforcement Bracket Fire extinguishers	rear	1	PR:509



Model: 991-16

Model life 2017>>



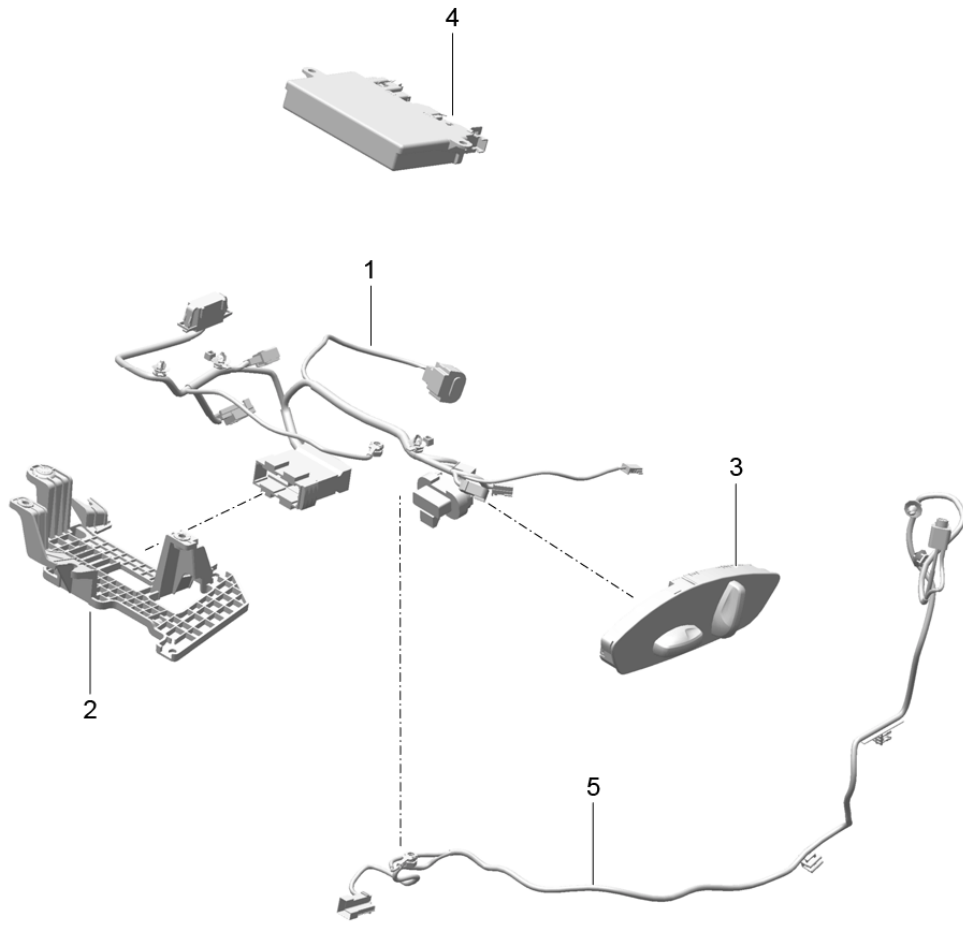
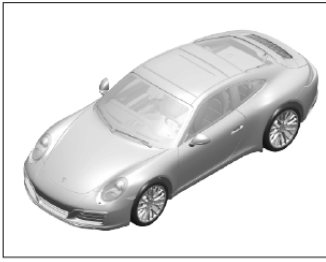
Model: 991-16

Model life 2017>>

Pos	Part Number	Description	Remark	Qty	Model
1	991 521 547 00	Cushion carrier Frame Seat surface Sports seat Plus	left inner	1	PR:316,320, 322,324
(1)	991 521 548 00	Frame Cushion carrier Seat surface Sports seat Plus	right inner	1	PR:315,319, 321,323
(1)	991 521 545 00	Frame Cushion carrier Seat surface Sports seat Plus	left outer	1	PR:315,319, 321,323
(1)	991 521 546 00	Frame Cushion carrier Seat surface Sports seat Plus	right outer	1	PR:316,320, 322,324

Model: 991-16

Model life 2017>>



Model: 991-16 Model life 2017>>

Pos	Part Number	Description	Remark	Qty	Model
		Wiring looms Switch Control units Electric motor Sports seat Plus			
1	9P1 971 365	Wire set	left	1	PR:315,319, -342,-560
(1)	9P1 971 366	Seat adjuster Wire set	right	1	PR:316,320, -342,-560
(1)	9P1 971 365 A	Seat adjuster Wire set	left	1	PR:315,319, 560,-342
(1)	9P1 971 366 A	Seat adjuster Wire set	right	1	PR:316,320, 560,-342
(1)	9P1 971 365 B	Seat adjuster Wire set	left	1	PR:315,320, 342,-560
(1)	9P1 971 366 B	Seat adjuster Wire set	right	1	PR:316,320, 342,-560
(1)	9P1 971 365 C	Seat adjuster Wire set	left	1	PR:315,319, 342,560
(1)	9P1 971 366 C	Seat adjuster Wire set	right	1	PR:316,319, 342,560
2	991 521 643 02	Bracket Electronic component Control units Seat frame Sports seat Plus		1	PR:321,322, 323,324
(2)	991 521 643 01	Bracket Electronic component Control units Seat frame Sports seat Plus		1	PR:315,316, 319,320,541
3	991 613 713 01	switch for seat adjustment	left	1	PR:315,319
(3)	991 613 713 01 DMN	Galvano silver			
(3)	991 613 714 01	switch for seat adjustment	right	1	PR:316,320
(3)	991 613 714 01 DMN	Galvano silver			
(3)	7PP 959 747 AA	Switch module for seat Seat adjuster	left	1	PR:321
(3)	7PP 959 747 AA DMN	Galvano silver			
(3)	7PP 959 748 AA	Switch module for seat Seat adjuster	right	1	PR:322
(3)	7PP 959 748 AA DMN	Galvano silver			
(3)	7PP 959 747 AB	Switch module for seat Seat adjuster	left	1	PR:323
(3)	7PP 959 747 AB DMN	Galvano silver			
(3)	7PP 959 748 AB	Switch module for seat Seat adjuster	right	1	PR:324
(3)	7PP 959 748 AB DMN	Galvano silver			
4	970 618 537 13	Control unit Seat frame		1	PR:321,322, 323,324,388, 389,537,538
(4)	970 618 245 03	Control unit for seat occupied sensor		1	PR:316,320, 322,324,560
5	9P1 972 171	Wire set Airbag Seat	left	1	PR:315,319, 321,323
(5)	991 622 796 00	Wire set Airbag Seat	right	1	PR:316,320, 322,324
(5)	9P1 972 173	D >> - 22.06.2015 Wire set Airbag Seat D - 23.06.2015>> - 03.11.2016	right	1	PR:316,320, 322,324

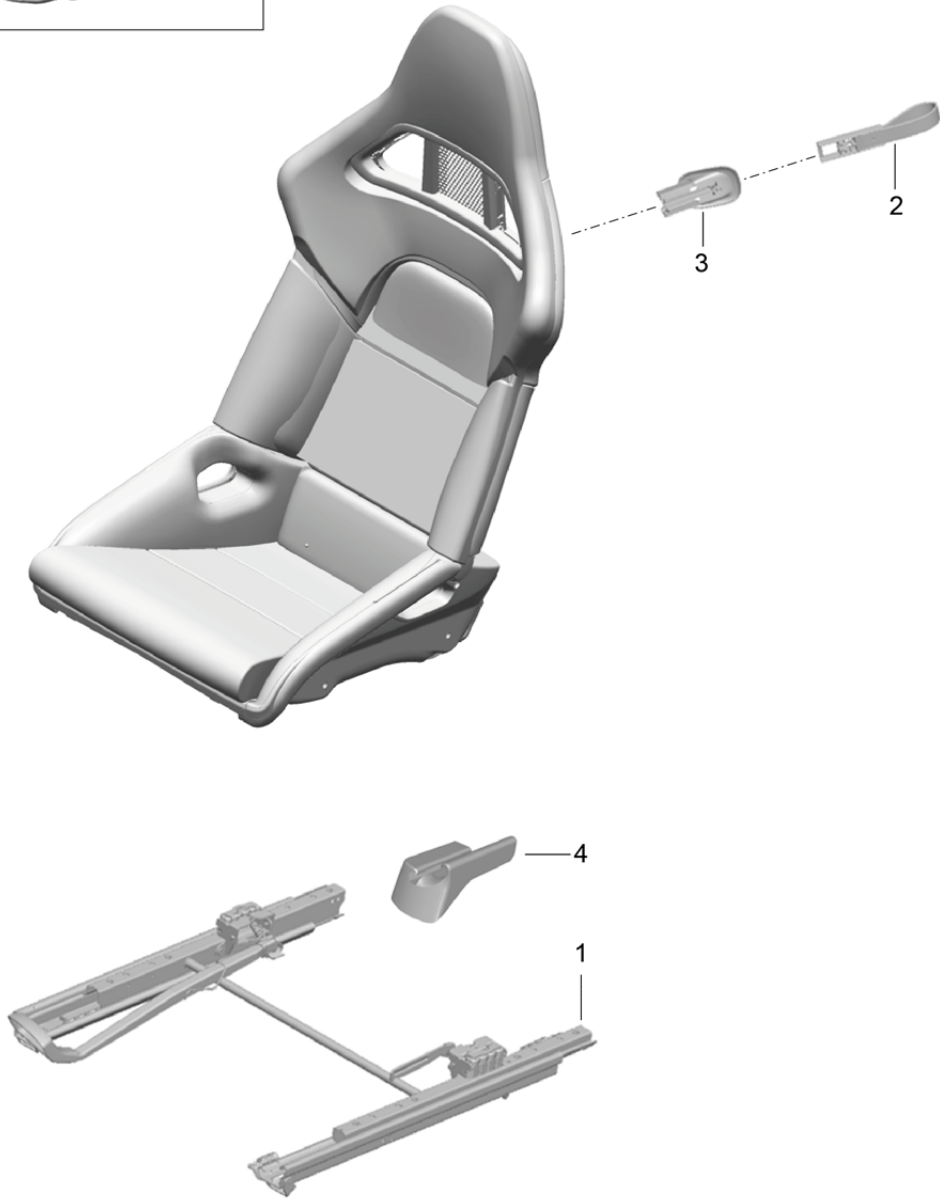
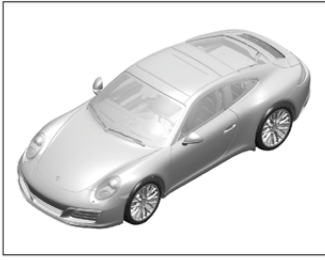
Model: 991-16

Model life 2017>>

Pos	Part Number	Description	Remark	Qty	Model
(5)	9P1 972 173 A	Wire set Airbag Seat D - 04.11.2016>>	right	1	PR:316,320, 322,324

Model: 991-16

Model life 2017>>



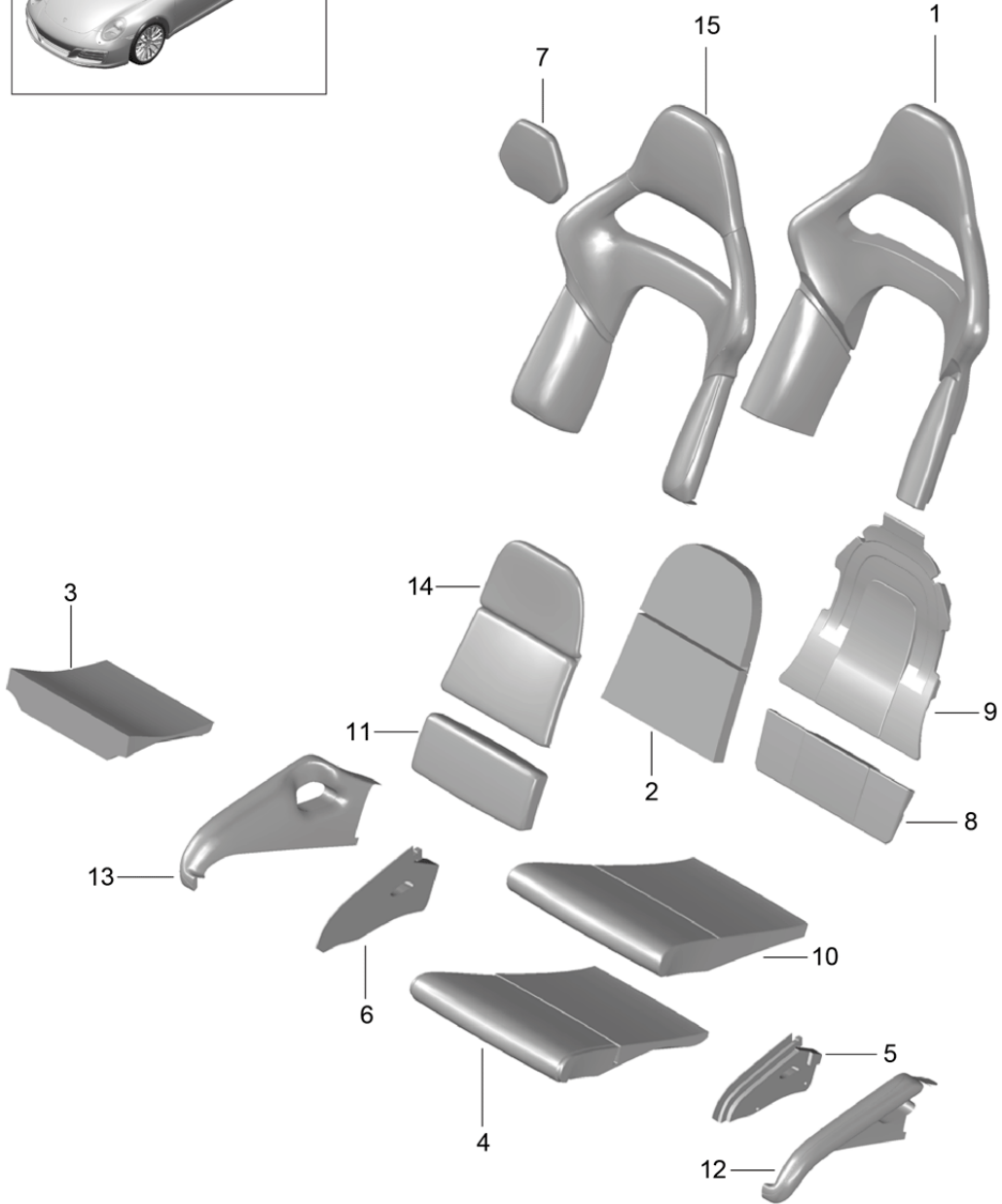
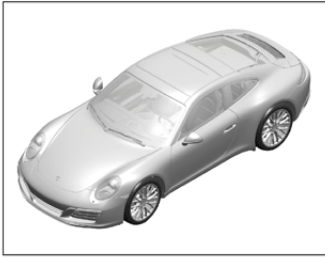
Model: 991-16

Model life 2017>>

Pos	Part Number	Description	Remark	Qty	Model
		bucket seat Collapsible (complete) Not available			
1	997 521 429 01	1 set of seat rails (drivers side)	left	1	PR:388
(1)	997 521 430 02	1 set of seat rails Seat rail (drivers side)	right	1	PR:389
2	991 521 541 00	Pull loop Backrest frame	left	1	PR:388
	991 521 541 00 A80	Black			
(2)	991 521 542 00	Pull loop Backrest frame	right	1	PR:389
	991 521 542 00 A80	Black			
3	997 521 538 00	Rosette Pull loop Backrest frame	right	1	PR:389
	997 521 538 00 01C	Satin black			
(3)	997 521 537 00	Rosette Pull loop Backrest frame	left	1	PR:388
	997 521 537 00 01C	Satin black			
4	991 521 359 00	Rail Seat rail Manually	left	1	PR:388
	991 521 359 00 1E0	Black			
(4)	991 521 360 00	Rail Seat rail Manually	right	1	PR:389
	991 521 360 00 1E0	Black			

Model: 991-16

Model life 2017>>





Model: 991-16 Model life 2017>>

Pos	Part Number	Description	Remark	Qty	Model
1	997 521 447 00	Foam part Cover Seat and backrest surface bucket seat Collapsible		2	PR:388,389
2	991 521 448 00	Foam part backrest Outer part		2	PR:388,389
3	997 521 441 00	Foam part Seat cushion	rear	2	PR:388,389
4	991 521 440 01	Foam part Seat cushion	front	2	PR:388,389
5	997 521 443 00	Foam part Seat cushion	left side outer	1	PR:388
(5)	997 521 444 00	Foam part Seat cushion	side inner left	1	PR:388
6	997 521 446 00	Foam part Seat cushion	right side outer	1	PR:389
(6)	997 521 445 00	Foam part Seat cushion	right side inner	1	PR:389
7	997 521 458 00	Foam part Head restraint		2	PR:388,389
8	997 521 456 00	Foam part Seat cushion	rear	1	PR:388,389
9	997 521 457 00	Foam part backrest		1	PR:388,389
10	991 521 380 03	Seat cover	front	1	PR:388,389, 983,-998
	991 521 380 03 8YR	Black	-GG,GY,AJ,AQ, AZ		
	991 521 380 03 OH7	Graphite Blue	-HZ		
	991 521 380 03 9H6	Luxor beige	-UJ,UQ,UZ,BT		
	991 521 380 03 OK6	saddle brown	-SZ		
	991 521 380 03 PL1	agate grey	-FJ,FQ,FZ		
	991 521 380 03 OG6	Bordeaux red	-LZ,BM		
	991 521 380 03 OL8	Chalk	-BG		
11	997 521 381 00	Seat cover	rear	1	PR:388,389, 983,-998
	997 521 381 00 8YR	Leatherette Black	-GG,GY,AJ,AQ, AZ		
	997 521 381 00 OH7	Graphite Blue	-HZ		
	997 521 381 00 9H6	Luxor beige	-UJ,UQ,UZ,BT		
	997 521 381 00 OK6	saddle brown	-SZ		
	997 521 381 00 PL1	agate grey	-FJ,FQ,FZ		
	997 521 381 00 OG6	Bordeaux red	-LZ,BM		
	997 521 381 00 OL8	Chalk	-BG		
(11)	991 521 381 00	Seat cover	rear	1	PR:388,389, 983,998
	991 521 381 00 8C0	Leather Espresso	-NE		
	991 521 381 00 9EF	Cognac	-BY		
12	991 521 383 01	Cover	left side outer	1	PR:388,983, -998
		Leatherette			

Model: 991-16 Model life 2017>>

Pos	Part Number	Description	Remark	Qty	Model
	991 521 383 01 8YR	Black	-GG,GY,AJ,AQ, AZ		
	991 521 383 01 OH7	Graphite Blue	-HZ		
	991 521 383 01 9H6	Luxor beige	-UJ,UQ,UZ,BT		
	991 521 383 01 OK6	saddle brown	-SZ		
	991 521 383 01 PL1	agate grey	-FJ,FQ,FZ		
	991 521 383 01 OG6	Bordeaux red	-LZ,MB		
	991 521 383 01 OL8	Chalk	-BG		
(12)	991 521 383 01	Cover	left side outer	1	PR:XWP,388, -998
		Alcantara			
	991 521 383 01 8YR	Black	-AJ, A,AZ		
(12)	991 521 383 00	Seat cover (leather)	left side outer	1	Q, PR:388,983, 998
	991 521 383 00 8C0	Espresso	-NE		
	991 521 383 00 9EF	Cognac	-BY		
13	991 521 384 01	Cover	left side inner	1	PR:388,983, -998
		Leatherette			
	991 521 384 01 8YR	Black	-GG,GY,AJ,AQ, AZ		
	991 521 384 01 OH7	Graphite Blue	-HZ		
	991 521 384 01 9H6	Luxor beige	-UJ,UQ,UZ,BT		
	991 521 384 01 OK6	saddle brown	-SZ		
	991 521 384 01 PL1	agate grey	-FJ,FQ,FZ		
	991 521 384 01 OG6	Bordeaux red	-LZ,MB		
	991 521 384 01 OL8	Chalk	-BG		
(13)	991 521 384 01	Cover	left side inner	1	PR:XWP,388, -998
		Alcantara			
	991 521 384 01 8YR	Black	-AJ, A,AZ		
(13)	991 521 384 00	Seat cover (leather)	left side inner	1	Q, PR:388,983, 998
	991 521 384 00 8C0	Espresso	-NE		
	991 521 384 00 9EF	Cognac	-BY		
(13)	991 521 386 01	Cover	right side outer	1	PR:389,983, -998
		Leatherette			
	991 521 386 01 8YR	Black	-GG,GY,AJ,AQ, AZ		
	991 521 386 01 OH7	Graphite Blue	-HZ		
	991 521 386 01 9H6	Luxor beige	-UJ,UQ,UZ,BT		
	991 521 386 01 OK6	saddle brown	-SZ		
	991 521 386 01 PL1	agate grey	-FJ,FQ,FZ		
	991 521 386 01 OG6	Bordeaux red	-LZ,MB		
	991 521 386 01 OL8	Chalk	-BG		
(13)	991 521 386 01	Cover	right side outer	1	PR:XWP,389, -998
		Alcantara			
	991 521 386 01 8YR	Black	-AJ, A,AZ		
(13)	991 521 386 00	Seat cover (leather)	right side outer	1	Q, PR:389,983, 998
	991 521 386 00 8C0	Espresso	-NE		
	991 521 386 00 9EF	Cognac	-BY		
(13)	991 521 385 01	Cover	right	1	PR:389,983,

Model: 991-16 Model life 2017>>

Pos	Part Number	Description	Remark	Qty	Model
			side inner		-998
	991 521 385 01 8YR	Leatherette Black	-GG,GY,AJ,AQ, AZ		
	991 521 385 01 OH7	Graphite Blue	-HZ		
	991 521 385 01 9H6	Luxor beige	-UJ,UQ,UZ,BT		
	991 521 385 01 OK6	saddle brown	-SZ		
	991 521 385 01 PL1	agate grey	-FJ,FQ,FZ		
	991 521 385 01 OG6	Bordeaux red	-LZ,MB		
	991 521 385 01 OL8	Chalk	-BG		
(13)	991 521 385 01	Cover	right side inner	1	PR:XWP,389, -998
		Alcantara			
	991 521 385 01 8YR	Black	-AJ, A,AZ		Q,
(13)	991 521 385 00	Seat cover (leather)	right side inner	1	PR:389,983, 998
	991 521 385 00 8C0	Espresso	-NE		
	991 521 385 00 9EF	Cognac	-BY		
14	997 521 387 00	Backrest centre part w. cover		1	PR:388,389, 983,-998
		Leatherette			
	997 521 387 00 8YR	Black	-GG,GY,AJ,AQ, AZ		
	997 521 387 00 OH7	Graphite Blue	-HZ		
	997 521 387 00 9H6	Luxor beige	-UJ,UQ,UZ,BT		
	997 521 387 00 OK6	saddle brown	-SZ		
	997 521 387 00 PL1	agate grey	-FJ,FQ,FZ		
	997 521 387 00 OG6	Bordeaux red	-LZ,MB		
	997 521 387 00 OL8	Chalk	-BG		
(14)	991 521 387 00	Backrest centre part w. cover	left	1	PR:388,983, 998
		Leather			
	991 521 387 00 8C0	Espresso	-NE		
	991 521 387 00 9EF	Cognac	-BY		
15	991 521 388 01	Backrest cover	outer	1	PR:XWP,388, 389,-998, -XSC
		Alcantara			
	991 521 388 01 8YR	Black	-AJ, A,AZ		Q,
15	991 521 388 01	Backrest cover	outer	1	PR:388,389, -998,-XWP, -XSC,-011
		Leatherette			
	991 521 388 01 8YR	Black	-GG,GY,AJ,AQ, AZ		
	991 521 388 01 OH7	Graphite Blue	-HZ		
	991 521 388 01 9H6	Luxor beige	-UJ,UQ,UZ,BT		
	991 521 388 01 OK6	saddle brown	-SZ		
	991 521 388 01 PL1	agate grey	-FJ,FQ,FZ		
	991 521 388 01 OG6	Bordeaux red	-LZ,MB		
	991 521 388 01 OL8	Chalk	-BG		
(15)	991 521 388 03	Backrest cover	outer	1	PR:388,389, 951,011,983, -998
		Leatherette			
	991 521 388 03 DSI	Black	-GF,GW		
	991 521 388 03 DSY	Black/Carmin Red	-GQ		
	991 521 388 03 DVG	Black/Rhodium Silver	-GR		
(15)	991 521 388 00	backrest cover (leather)	left outer	1	PR:388,983, 998

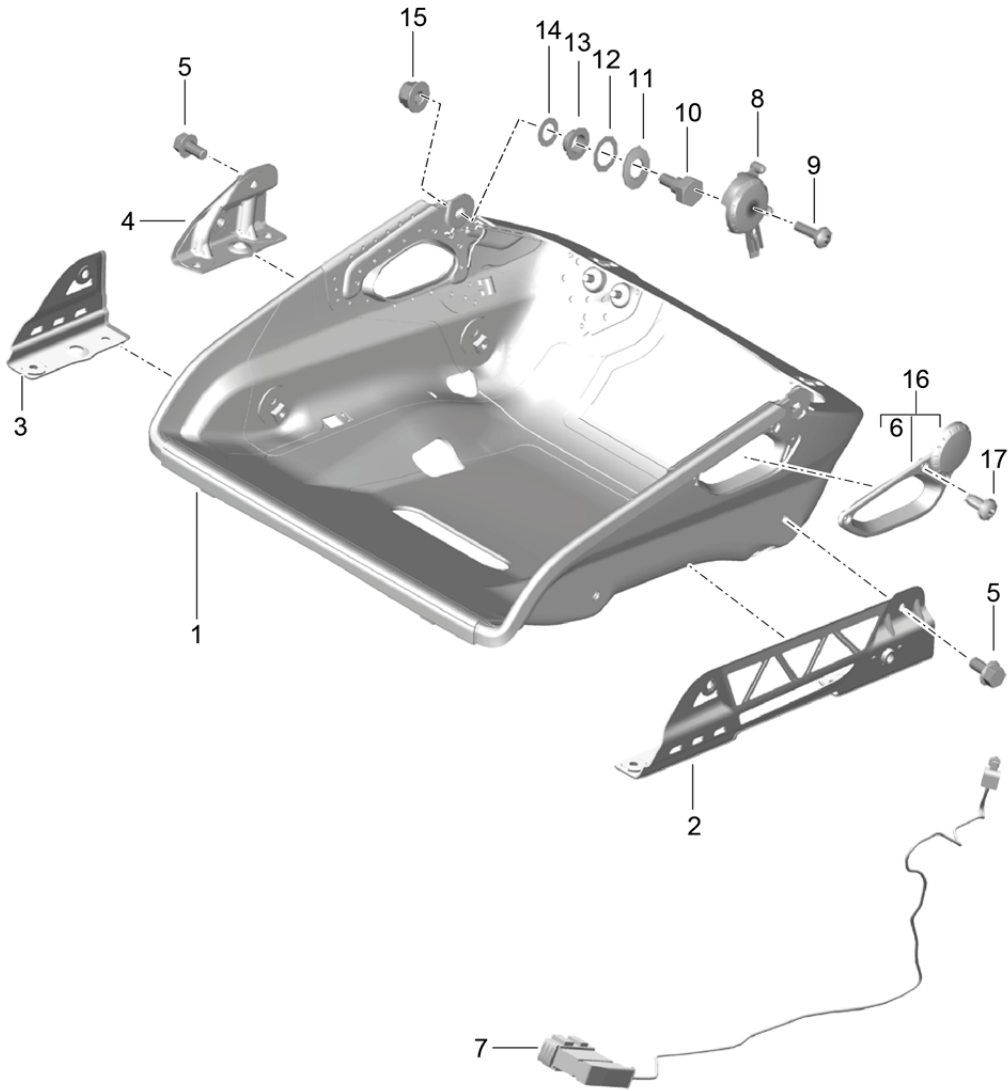
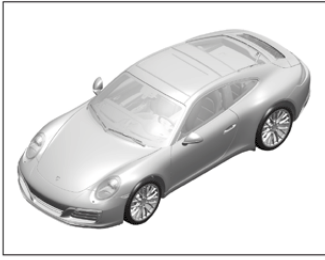
Model: 991-16

Model life 2017>>

Pos	Part Number	Description	Remark	Qty	Model
(15)	991 521 388 00 8C0	Espresso	-NE	1	PR: XSC, XWP, 388, 389, -998
	991 521 388 00 9EF	Cognac	-BY		
(15)	991 521 981 16	Backrest cover Outer part Alcantara		1	PR: XSC, 388, 389, 983, -998
	991 521 981 16 GDC	Black	-AJ, AQ, AZ		
	991 521 981 16	Backrest cover Outer part Leatherette			
	991 521 981 16 GDC	Black	-GG, GY, AJ, AQ, AZ		
	991 521 981 16 GTC	Graphite Blue	-HZ		
	991 521 981 16 GFC	Luxor beige	-UJ, UQ, UZ, BT		
	991 521 981 16 DUE	saddle brown	-SZ		
	991 521 981 16 GHC	agate grey	-FJ, FQ, FZ		
	991 521 981 16 GUC	Bordeaux red	-LZ, BM		
	991 521 981 16 GVC	Chalk	-BG		
(15)	991 521 981 17	Backrest cover Outer part Leather		1	PR: XSC, 388, 389, 983, 998
	991 521 981 17 GKC	Espresso	-NE		
	991 521 981 17 GRC	Cognac	-BY		

Model: 991-16

Model life 2017>>



Model: 991-16

Model life 2017&gt;&gt;

Pos	Part Number	Description	Remark	Qty	Model
1	991 521 281 00	bucket seat Collapsible Seat frame Accessories Cup Seat frame		2	PR:388
		without:			
2	997 521 433 01	seat occupied recognition Adapter Seat frame	outer left	1	PR:388
(2)	997 521 434 01	Adapter Seat frame	outer right	1	PR:389
3	997 521 436 01	Adapter Seat frame	front, inner right	1	PR:388
(3)	997 521 435 01	Adapter Seat frame	front, inner left	1	PR:389
		without:			
4	997 521 438 01	seat occupied recognition Adapter Seat frame	rear, inner right	1	PR:388
(4)	997 521 437 01	Adapter Seat frame	rear, inner left	1	PR:389
		without:			
5	999 217 168 01	seat occupied recognition Hexagon bolt M 8 X 16 Mount Seat rail bucket seat		4	
6	997 521 561 00	Trim Seat belt	left lower	1	PR:388,389
(6)	997 521 561 00 01C 997 521 562 00	Satin black Trim Seat belt	right lower	1	PR:388,389
7	997 521 562 00 01C 991 622 759 00	Satin black Wire set Side airbag unit		1	PR:388,389, -537,-538
8	997 521 563 00	Trim Hinge	left inner	1	PR:388,389
(8)	997 521 563 00 01C 997 521 564 00	Satin black Trim Hinge	right inner	1	PR:388,389
9	997 521 564 00 01C 999 073 456 01	Satin black flat round head bolt M4 X 12 Mount Trim	inner	2	PR:388,389
10	997 521 690 01	bearing pin Backrest shell Cup	lower	2	PR:388,389
11	999 523 019 01	Belleville spring A25		2	PR:388,389
12	999 234 034 00	fitted washer 12 X 18 X 0,2		2	PR:388,389
13	999 924 136 40	Plain bearing F12 X 6 X 14		2	PR:388,389
14	999 025 122 40	thrust washer 12 X 20 X 0,5		2	PR:388,389
15	900 380 024 01	Outer hexagon round nut M8		2	PR:388,389
16	997 521 561 00	Trim Seat belt	left lower	1	PR:388,389
	997 521 561 00 01C	Satin black			

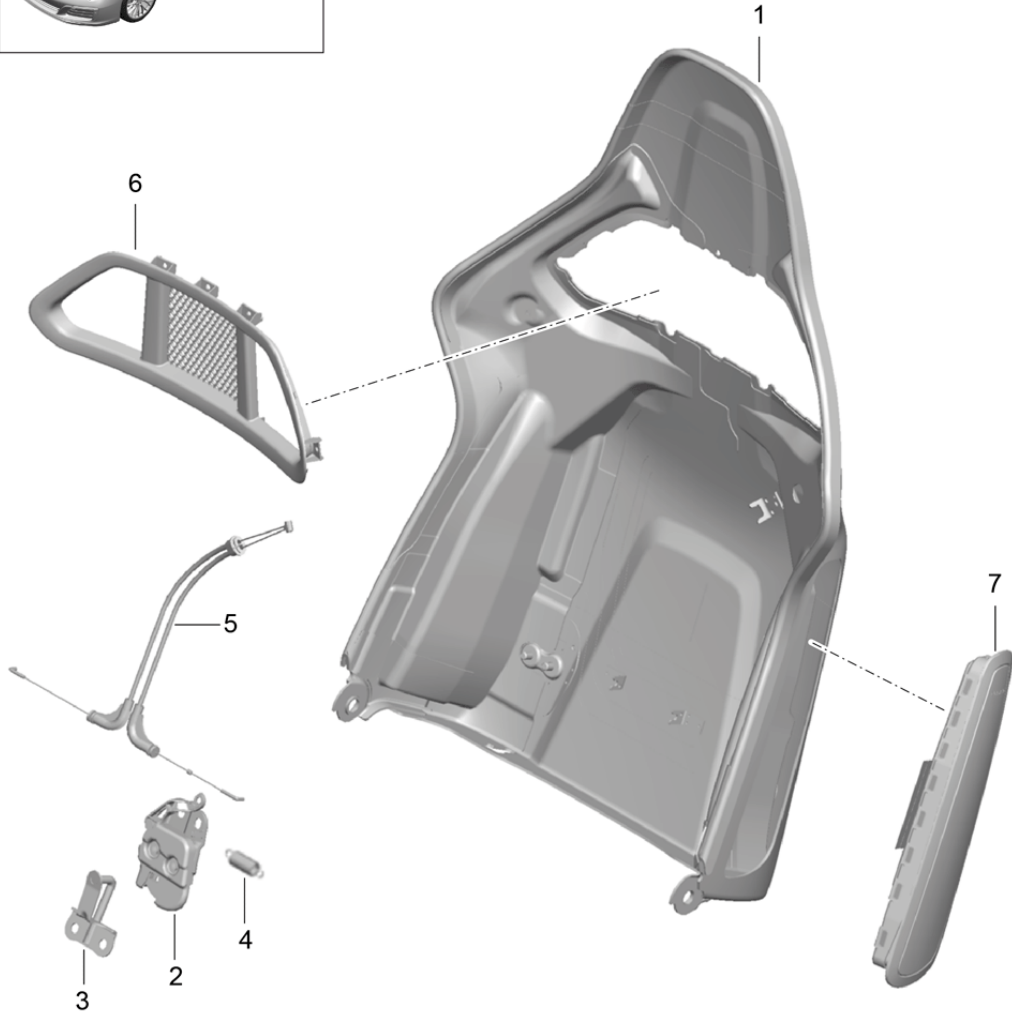
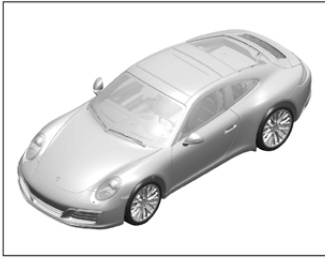
Model: 991-16

Model life 2017>>

Pos	Part Number	Description	Remark	Qty	Model
(16)	997 521 562 00	Trim Seat belt	right lower	1	PR:388,389
	997 521 562 00 01C	Satin black			
17	999 141 049 01	Oval-head screw M5 X 10 Mount Trim		3	PR:388,389

Model: 991-16

Model life 2017>>





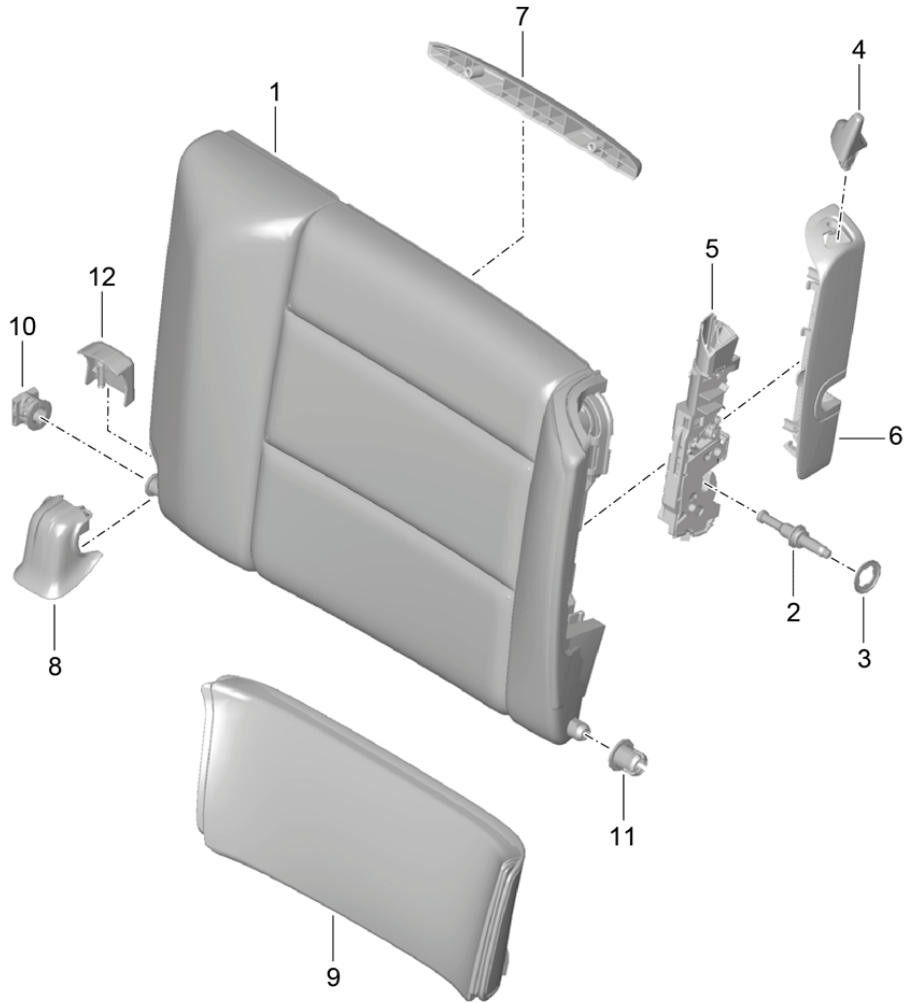
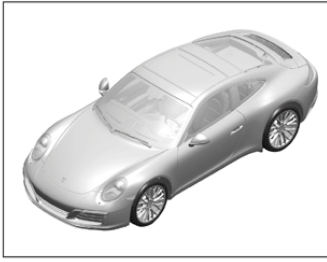
Model: 991-16

Model life 2017>>

Pos	Part Number	Description	Remark	Qty	Model
1	991 521 271 00	Backrest shell bucket seat Collapsible Accessories	left	1	PR:388
(1)	991 521 272 00	Backrest shell bucket seat Collapsible	right	1	PR:389
2	997 521 651 00	backrest lock	left	1	PR:388,389
(2)	997 521 652 00	backrest lock	right	1	PR:388,389
3	997 521 660 01	Closing element lock		2	PR:388,389
4	997 521 650 00	Backrest shell tension spring lock		2	PR:388,389
5	997 521 640 01	backrest Bowden cable Release		1	PR:388,389
6	997 521 330 00	backrest Trim	front	1	PR:388,389
(6)	997 521 330 00 01C	Seat belt Satin black			
	997 521 531 00	Trim	rear	1	PR:388,389
	997 521 531 00 01C	Seat belt Satin black			
7	997 803 081 02	Side airbag unit Front seat		1	PR:388
(7)	997 803 081 02 A03	Black			
	997 803 082 02	Side airbag unit Front seat		1	PR:389
	997 803 082 02 A03	Black			

Model: 991-16

Model life 2017>>



Model: 991-16 Model life 2017>>

Pos	Part Number	Description	Remark	Qty	Model
		Emergency seat backrest Accessories			Coupe
1	991 522 011 15	Emergency seat backrest	left	1	Coupe PR:685,937 +AJ
	991 522 011 15 1D0	Black	-GG,AG		
	991 522 011 15 OW7	agate grey	-FG,FJ		
	991 522 011 15 2E0	Luxor beige	-UG,UJ		
(1)	991 522 012 15	Emergency seat backrest	right	1	Coupe PR:685,937 +AJ
	991 522 012 15 1D0	Black	-GG,AG		
	991 522 012 15 OW7	agate grey	-FG,FJ		
	991 522 012 15 2E0	Luxor beige	-UG,UJ		
(1)	991 522 011 17	Emergency seat backrest	left	1	Coupe PR:685,936, -998
	991 522 011 17 8YR	Black	-GY,AQ,AZ		
	991 522 011 17 OH7	Graphite Blue	-HZ		
	991 522 011 17 9H6	Luxor beige	-UQ,UZ		
	991 522 011 17 OK6	saddle brown	-SZ		
	991 522 011 17 PL1	agate grey	-FQ,FZ		
	991 522 011 17 OG6	Bordeaux red	-LZ		
	991 522 011 17 GFK	Black/Luxor Beige	-BT		
	991 522 011 17 GUK	Black/Bordeaux Red	-BM		
	991 522 011 17 GTK	Graphite Blue/Chalk	-BG		
(1)	991 522 012 17	Emergency seat backrest	right	1	Coupe PR:685,936, -998
	991 522 012 17 8YR	Black	-GY,AQ,AZ		
	991 522 012 17 OH7	Graphite Blue	-HZ		
	991 522 012 17 9H6	Luxor beige	-UQ,UZ		
	991 522 012 17 OK6	saddle brown	-SZ		
	991 522 012 17 PL1	agate grey	-FQ,FZ		
	991 522 012 17 OG6	Bordeaux red	-LZ		
	991 522 012 17 GFK	Black/Luxor Beige	-BT		
	991 522 012 17 GUK	Black/Bordeaux Red	-BM		
	991 522 012 17 GTK	Graphite Blue/Chalk	-BG		
(1)	991 522 011 19	Emergency seat backrest	left	1	Coupe PR:685,936, 998
	991 522 011 19 8C0	Espresso	-NE		
	991 522 011 19 GRK	Espresso/Cognac	-BY		
(1)	991 522 012 19	Emergency seat backrest	right	1	Coupe PR:685,936, 998
	991 522 012 19 8C0	Espresso	-NE		
	991 522 012 19 GRK	Espresso/Cognac	-BY		
(1)	991 522 011 23	Cover	left	1	Coupe PR:011,685, 932
	991 522 011 23 DSA	Black/Carmin Red	-GQ		
	991 522 011 23 DJP	Black/Rhodium Silver	-GR		
	991 522 011 23 DSD	Black	-GW		
(1)	991 522 012 23	Cover	right	1	Coupe PR:011,685, 932
	991 522 012 23 DSA	Black/Carmin Red	-GQ		
	991 522 012 23 DJP	Black/Rhodium Silver	-GR		
	991 522 012 23 DSD	Black	-GW		
(1)	991 522 011 25	Back seat backrest	left	1	PR-685,933
	991 522 011 25 AU4	Black	-YS,WS		
	991 522 011 25 GTB	Graphite Blue/Chalk	-TG		
	991 522 011 25 JHD	Black/Dark Silver	-TD		
	991 522 011 25 OT9	Black/Guards Red	-YI,WI		

Model: 991-16 Model life 2017>>

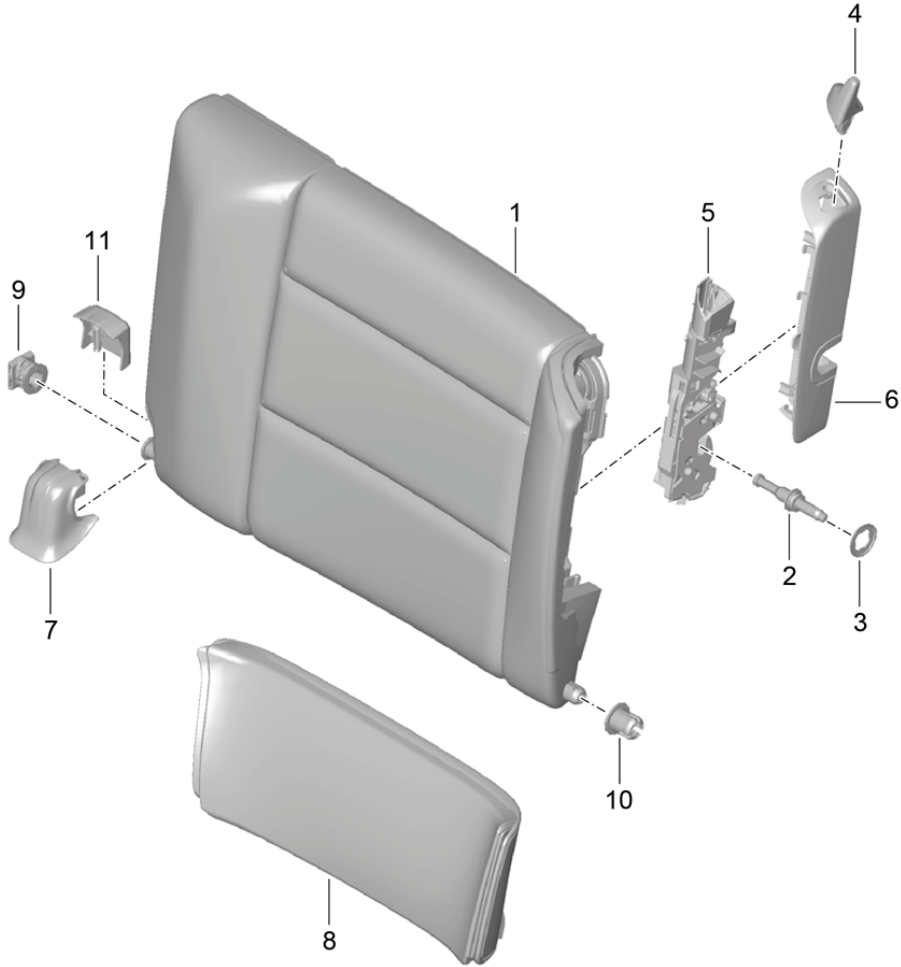
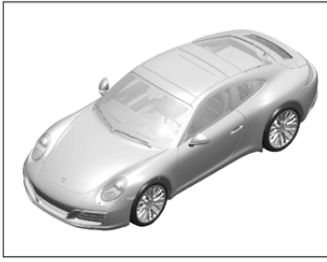
Pos	Part Number	Description	Remark	Qty	Model
(1)	991 522 011 25 OV7	Black/Racing Yellow	-YL,WL	1	PR-685,933
	991 522 011 25 OY4	black/silver	-YG,WG		
	991 522 012 25	Back seat backrest	right		
	991 522 012 25 AU4	Black	-YS,WG		
	991 522 012 25 GTB	Graphite Blue/Chalk	-TG		
	991 522 012 25 JHD	Black/Dark Silver	-TD		
	991 522 012 25 OT9	Black/Guards Red	-YI,WI		
(1)	991 522 012 25 OV7	Black/Racing Yellow	-YL,WL	1	PR-685,933, 090
	991 522 012 25 OY4	black/silver	-YG,WG		
	991 522 011 43	Back seat backrest	left		
	991 522 011 43 OT9	Black/Guards Red	-WI,YI		
	991 522 011 43 OV7	Black/Racing Yellow	-WL,YL		
	991 522 011 43 OY4	black/silver	-WG,YG		
	991 522 012 43	Back seat backrest	right		
(1)	991 522 012 43 OT9	Black/Guards Red	-WI,YI	1	PR-685,933, 090
	991 522 012 43 OV7	Black/Racing Yellow	-WL,YL		
	991 522 012 43 OY4	black/silver	-WG,YG		
2	991 522 491 00	Pin Locking mechanism backrest	left a. right	1	Coupe PR:685
3	991 522 341 00	Cover Pin Locking mechanism backrest	left a. right	1	Coupe PR:685
4	991 522 341 00 1E0	Black	left	1	Coupe PR:685
	991 522 321 01	Actuating lever lever for folding backrest			
(4)	991 522 321 01 1E0	Black	right	1	Coupe PR:685
	991 522 322 01	Actuating lever lever for folding backrest			
5	991 522 322 01 1E0	Black	left	1	Coupe PR:685
	991 522 391 00	lock Backrest frame			
(5)	991 522 392 00	lock Backrest frame	right	1	Coupe PR:685
	991 522 345 00	Cover panel lock	left	1	Coupe PR:685
(6)	991 522 345 00 1E0	Black	right	1	Coupe PR:685
	991 522 346 00	Cover panel lock			
7	991 522 346 00 1E0	Black	left a. right	1	Coupe PR:685
	991 522 421 00	Stop Backrest			
8	991 522 421 00 1E0	Black	center	1	Coupe PR:685
	991 522 343 00	Cover Bracket backrest			
9	991 522 343 00 1E0	Black	left	1	Coupe PR:685,937
	991 522 235 07	Lumbar support Back seat backrest			
(9)	991 522 235 07 1D0	Black	-GG,AG,AJ	1	Coupe PR:685,937
	991 522 235 07 OW7	agate grey	-FG,FJ		
	991 522 235 07 2E0	Luxor beige	-UG,UJ		
	991 522 236 07	Lumbar support Back seat backrest	right		
(9)	991 522 236 07 1D0	Black	-GG,AG,AJ	1	Coupe PR:685,936, -998
	991 522 236 07 OW7	agate grey	-FG,FJ		
	991 522 236 07 2E0	Luxor beige	-UG,UJ		
	991 522 235 08	Lumbar support Back seat backrest	left		

Model: 991-16 Model life 2017>>

Pos	Part Number	Description	Remark	Qty	Model
	991 522 235 08 8YR	Black	-GY,AQ,AZ		
	991 522 235 08 OH7	Graphite Blue	-HZ		
	991 522 235 08 9H6	Luxor beige	-UQ,UZ,BT		
	991 522 235 08 OK6	saddle brown	-SZ		
	991 522 235 08 PL1	Black/agate grey	-FQ,FZ		
	991 522 235 08 OG6	Bordeaux red	-LZ,BM		
	991 522 235 08 OL8	Chalk	-BG		
(9)	991 522 236 08	Lumbar support Back seat backrest	right	1	Coupe PR:685,936, -998
	991 522 236 08 8YR	Black	-GY,AQ,AZ		
	991 522 236 08 OH7	Graphite Blue	-HZ		
	991 522 236 08 9H6	Luxor beige	-UQ,UZ,BT		
	991 522 236 08 OK6	saddle brown	-SZ		
	991 522 236 08 PL1	agate grey	-FQ,FZ		
	991 522 236 08 OG6	Bordeaux red	-LZ,BM		
	991 522 236 08 OL8	Chalk	-BG		
(9)	991 522 235 09	Lumbar support Back seat backrest	left	1	Coupe PR:685,936, 998
	991 522 235 09 8C0	Espresso	-NE		
	991 522 235 09 9EF	Cognac	-BY		
(9)	991 522 236 09	Lumbar support Back seat backrest	right	1	Coupe PR:685,936, 998
	991 522 236 09 8C0	Espresso	-NE		
	991 522 236 09 9EF	Cognac	-BY		
10	991 522 431 00	Plain bearing Back seat backrest		1	Coupe PR:685
11	991 522 433 00	Plain bearing Back seat backrest		1	Coupe PR:685
12	991 522 353 00	Cover Bracket Back seat backrest		1	Coupe PR:685
	991 522 353 00 1E0	Black			

Model: 991-16

Model life 2017>>



Model: 991-16 Model life 2017>>

Pos	Part Number	Description	Remark	Qty	Model
		Emergency seat backrest Accessories			Cabrio Targa
1	991 522 011 16	Emergency seat backrest	left	1	PR:685,937
	991 522 011 16 1D0	Black	-GG,AG		+AJ
	991 522 011 16 OW7	agate grey	-FG,FJ		
	991 522 011 16 2E0	Luxor beige	-UG,UJ		
(1)	991 522 012 16	Emergency seat backrest	right	1	PR:685,937
	991 522 012 16 1D0	Black	-GG,AG		+AJ
	991 522 012 16 OW7	agate grey	-FG,FJ		
	991 522 012 16 2E0	Luxor beige	-UG,UJ		
(1)	991 522 011 18	Emergency seat backrest	left	1	PR:685,936
	991 522 011 18 8YR	Black	-GY,AQ,AZ		
	991 522 011 18 OH7	Graphite Blue	-HZ		
	991 522 011 18 9H6	Luxor beige	-UQ,UZ		
	991 522 011 18 OK6	saddle brown	-SZ		
	991 522 011 18 PL1	agate grey	-FQ,FZ		
	991 522 011 18 OG6	Bordeaux red	-LZ		
	991 522 011 18 GFK	Black/Luxor Beige	-BT		
	991 522 011 18 GUK	Black/Bordeaux Red	-BM		
	991 522 011 18 GTK	Graphite Blue/Chalk	-BG		
(1)	991 522 012 18	Emergency seat backrest	right	1	PR:685,936
	991 522 012 18 8YR	Black	-GY,AQ,AZ		
	991 522 012 18 OH7	Graphite Blue	-HZ		
	991 522 012 18 9H6	Luxor beige	-UQ,UZ		
	991 522 012 18 OK6	saddle brown	-SZ		
	991 522 012 18 PL1	agate grey	-FQ,FZ		
	991 522 012 18 OG6	Bordeaux red	-LZ		
	991 522 012 18 GFK	Black/Luxor Beige	-BT		
	991 522 012 18 GUK	Black/Bordeaux Red	-BM		
	991 522 012 18 GTK	Graphite Blue/Chalk	-BG		
(1)	991 522 011 20	Emergency seat backrest	left	1	PR:685,936, 998
	991 522 011 20 8C0	Espresso	-NE		
	991 522 011 20 GRK	Espresso/Cognac	-BY		
(1)	991 522 012 20	Emergency seat backrest	right	1	PR:685,936, 998
	991 522 012 20 8C0	Espresso	-NE		
	991 522 012 20 GRK	Espresso/Cognac	-BY		
2	991 522 491 00	Pin	left a. right	1	PR:685
		Locking mechanism backrest			
3	991 522 341 00	Cover	left a. right	1	PR:685
		Pin			
		Locking mechanism backrest			
	991 522 341 00 1E0	Black			
4	991 522 321 01	Actuating lever	left	1	PR:685
		lever for folding backrest			
	991 522 321 01 1E0	Black			
(4)	991 522 322 01	Actuating lever	right	1	PR:685
		lever for folding backrest			
	991 522 322 01 1E0	Black			
5	991 522 391 00	lock	left	1	PR:685
		Backrest frame			
(5)	991 522 392 00	lock	right	1	PR:685
		Backrest frame			
6	991 522 345 00	Cover panel	left	1	PR:685
		lock			
	991 522 345 00 1E0	Black			
(6)	991 522 346 00	Cover panel	right	1	PR:685
		lock			
	991 522 346 00 1E0	Black			
7	991 522 343 00	Cover	center	1	PR:685

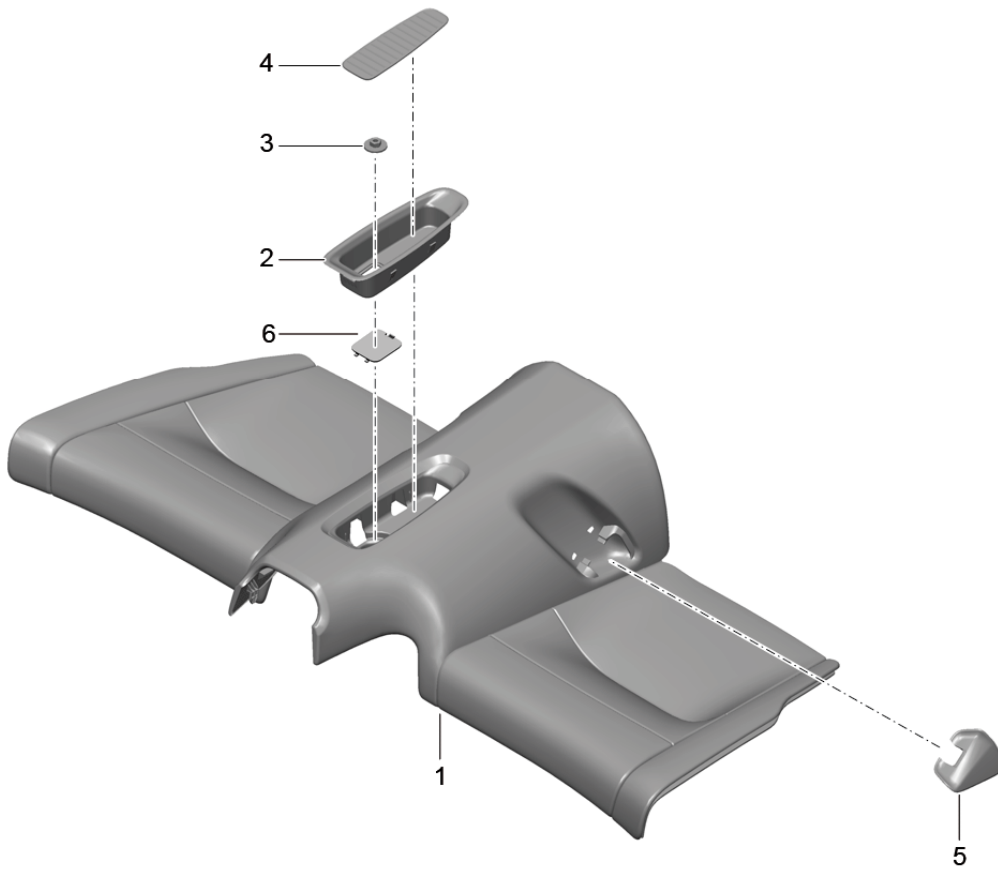
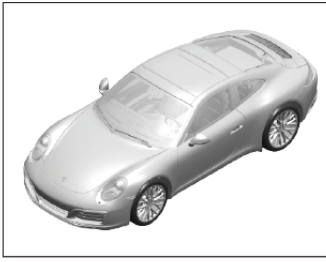
Model: 991-16 Model life 2017>>

Pos	Part Number	Description	Remark	Qty	Model
8	991 522 343 00 1E0	Bracket backrest			
	991 522 235 07	Black Lumbar support Back seat backrest	left	1	PR:685,937
(8)	991 522 235 07 1D0	Black	-GG,GY,AJ		
	991 522 235 07 OW7	agate grey	-FG,FJ		
(8)	991 522 235 07 2E0	Luxor beige	-UG,UJ		
	991 522 236 07	Lumbar support Back seat backrest	right	1	PR:685,937
(8)	991 522 236 07 1D0	Black	-GG,GY,AJ		
	991 522 236 07 OW7	agate grey	-FG,FJ		
(8)	991 522 236 07 2E0	Luxor beige	-UG,UJ		
	991 522 235 08	Lumbar support Back seat backrest	left	1	PR:685,936, -998
(8)	991 522 235 08 8YR	Black	-GY,AQ,AZ		
	991 522 235 08 OH7	Graphite Blue	-HZ		
(8)	991 522 235 08 9H6	Luxor beige	-UQ,UZ,BT		
	991 522 235 08 OK6	saddle brown	-SZ		
(8)	991 522 235 08 PL1	Black/agate grey	-FQ,FZ		
	991 522 235 08 OG6	Bordeaux red	-LZ,BM		
(8)	991 522 235 08 OL8	Chalk	-BG		
	991 522 236 08	Lumbar support Back seat backrest	right	1	PR:685,936, -998
(8)	991 522 236 08 8YR	Black	-GY,AQ,AZ		
	991 522 236 08 OH7	Graphite Blue	-HZ		
(8)	991 522 236 08 9H6	Luxor beige	-UQ,UZ,BT		
	991 522 236 08 OK6	saddle brown	-SZ		
(8)	991 522 236 08 PL1	agate grey	-FQ,FZ		
	991 522 236 08 OG6	Bordeaux red	-LZ,BM		
(8)	991 522 236 08 OL8	Chalk	-BG		
	991 522 235 09	Lumbar support Back seat backrest	left	1	PR:685,936, 998
(8)	991 522 235 09 8C0	Espresso	-NE		
	991 522 235 09 9EF	Cognac	-BY		
(8)	991 522 236 09	Lumbar support Back seat backrest	right	1	PR:685,936, 998
	991 522 236 09 8C0	Espresso	-NE		
9	991 522 236 09 9EF	Cognac	-BY		
	991 522 431 00	Plain bearing Back seat backrest		1	PR:685
10	991 522 433 00	Plain bearing Back seat backrest		1	PR:685
11	991 522 353 00	Cover Bracket		1	PR:685
	991 522 353 00 1E0	Black Back seat backrest		1	



Model: 991-16

Model life 2017>>



Model: 991-16 Model life 2017>>

Pos	Part Number	Description	Remark	Qty	Model
1	991 522 051 14	Back seat cushion Mount Seat cushion	rear	1	COUPE PR:685,937, -XHS
	991 522 051 14 1D0	Black	-GG,AG,AJ		
	991 522 051 14 OW7	agate grey	-FG,FJ		
	991 522 051 14 2E0	Luxor beige	-UG,UJ		
(1)	991 522 051 15	Seat cushion	rear	1	COUPE PR:685,936, -998,-XHS
	991 522 051 15 8YR	Black	-GY,AQ,AZ		
	991 522 051 15 OH7	Graphite Blue	-HZ		
	991 522 051 15 9H6	Luxor beige	-UQ,UZ,BT		
	991 522 051 15 OK6	saddle brown	-SZ		
	991 522 051 15 PL1	agate grey	-FQ,FZ		
	991 522 051 15 OG6	Bordeaux red	-LZ,BM		
	991 522 051 15 OL8	Chalk	-BG		
(1)	991 522 051 16	Seat cushion	rear	1	COUPE PR:685,936, 998,-XHS
	991 522 051 16 8C0	Espresso	-NE		
	991 522 051 16 9EF	Cognac	-BY		
(1)	991 522 982 04	Seat cushion	rear	1	COUPE PR:XHS,685, 936,981,-998
	991 522 982 04 8YR	Black	-GY,AZ		
	991 522 982 04 OH7	Graphite Blue	-HZ		
	991 522 982 04 OK6	saddle brown	-SZ		
	991 522 982 04 9H6	Luxor beige	-UZ,BT		
	991 522 982 04 PL1	agate grey	-FZ		
	991 522 982 04 OG6	Bordeaux red	-LZ,BM		
	991 522 982 04 OL8	Chalk	-BG		
(1)	991 522 982 05	Seat cushion	rear	1	COUPE PR:XHS,685, 936,998,981
	991 522 982 05 8C0	Espresso	-NE		
	991 522 982 05 9EF	Cognac	-BY		
(1)	991 522 051 17	Cover	rear	1	COUPE PR:011,685, 931
	991 522 051 17 GDA	Black	-GF		
(1)	991 522 051 18	Cover	rear	1	COUPE PR:011,685, 932,-XHS
	991 522 051 18 DSD	Black	-GQ,GR,GW		
(1)	991 522 051 28	Seat cover Seat cushion	rear	1	PR-090,685, 933,-XHS
	991 522 051 28 OT9	Black/Guards Red	-WI,YI		
	991 522 051 28 OV7	Black/Racing Yellow	-WL,YL		
	991 522 051 28 OY4	black/silver	-WG,YG		
2	991 522 347 01	Stowage compartment		1	COUPE PR:685
	991 522 347 01 5Q0	Black			
3	999 076 092 01	Hexagon nut M 8		1	COUPE
4	991 522 349 00	Insert Stowage compartment		1	COUPE PR:685
5	991 522 419 00	Trim Belt latch	left	1	COUPE PR:685
	991 522 419 00 1E0	Black			
(5)	991 522 420 00	Trim Belt latch	right	1	COUPE PR:685

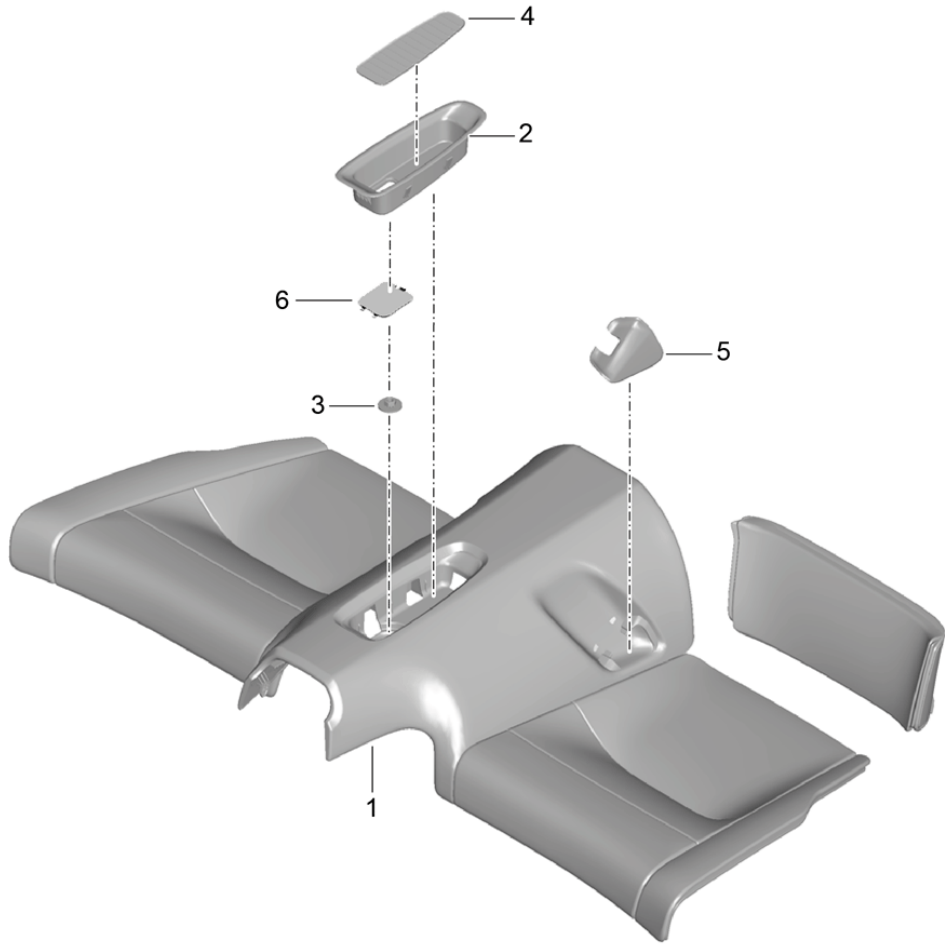
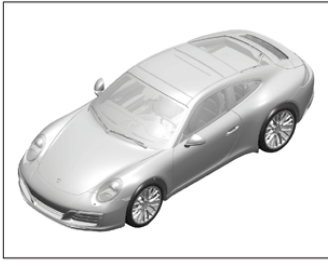
Model: 991-16

Model life 2017>>

Pos	Part Number	Description	Remark	Qty	Model
(6)	991 522 420 00 1E0 991 522 357 01	Black Cover Stowage compartment	Painted	1	PR:685
	991 522 357 01 1E0	Black			

Model: 991-16

Model life 2017>>

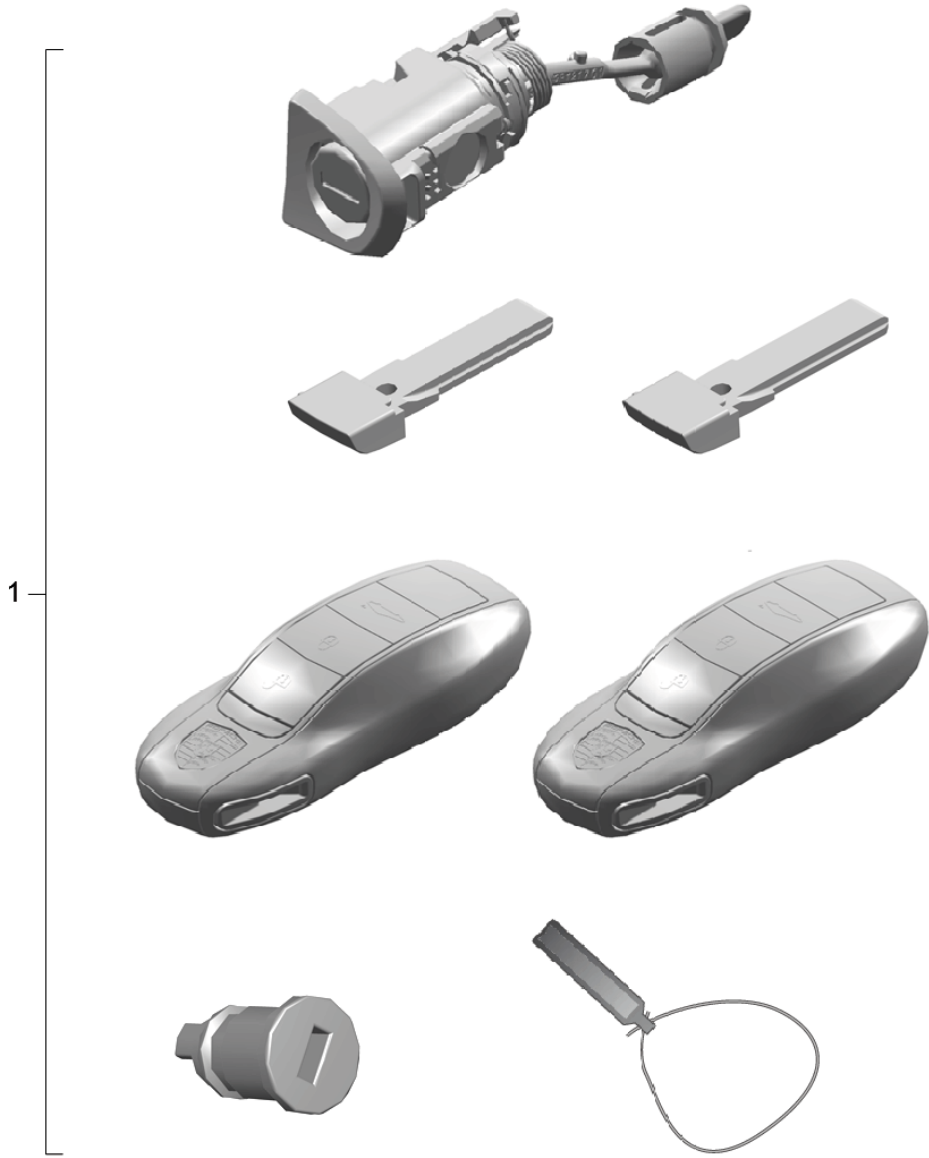
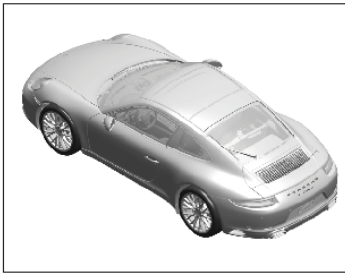


Model: 991-16 Model life 2017>>

Pos	Part Number	Description	Remark	Qty	Model
1	991 522 051 14	Back seat cushion Mount Seat cushion	rear	1	Cabrio Targa PR:685,937, -XHS
	991 522 051 14 1D0	Black	-GG,AG,AJ		
	991 522 051 14 OW7	agate grey	-FG,FJ		
	991 522 051 14 2E0	Luxor beige	-UG,UJ		
(1)	991 522 051 15	Seat cushion	rear	1	PR:685,936, -XHS,-998
	991 522 051 15 8YR	Black	-GY,AQ,AZ		
	991 522 051 15 OH7	Graphite Blue	-HZ		
	991 522 051 15 9H6	Luxor beige	-UQ,UZ,BT		
	991 522 051 15 OG6	Bordeaux red	-BM		
	991 522 051 15 PL1	agate grey	-FQ,FZ		
	991 522 051 15 OK6	saddle brown	-SZ		
	991 522 051 15 OL8	Chalk	-BG		
(1)	991 522 051 02	Seat cushion	rear	1	PR:685,936, 998
	991 522 051 02 8C0	Espresso	-NE		
	991 522 051 02 9EF	Cognac	-BY		
(1)	991 522 982 04	Seat cushion	rear	1	PR:XHS,685, 936,981,-998
	991 522 982 04 8YR	Black	-GY,AZ		
	991 522 982 04 OH7	Graphite Blue	-HZ		
	991 522 982 04 9H6	Luxor beige	-UQ,UZ,BT		
	991 522 982 04 OG6	Bordeaux red	-LZ,BM		
	991 522 982 04 PL1	agate grey	-FZ		
	991 522 982 04 OK6	saddle brown	-SZ		
	991 522 982 04 OL8	Chalk	-BG		
(1)	991 522 982 05	Seat cushion	rear	1	PR:XHS,685, 936,981,998
	991 522 982 05 8C0	Espresso	-NE		
	991 522 982 05 9EF	Cognac	-BY		
(1)	991 522 051 17	Cover	rear	1	COUPE PR:011,685, 931
	991 522 051 17 GDA	Black	-GF		
(1)	991 522 051 18	Cover	rear	1	COUPE PR:011,685, 932,-XHS
	991 522 051 18 DSD	Black	-GQ,GR,GW		
(1)	991 522 051 26	Cover	rear	1	PR:685,933, -XHS
	991 522 051 26 JHH	Black	-TD		
	991 522 051 26 GTB	Graphite Blue/Chalk	-TG		
2	991 522 347 01	Stowage compartment		1	PR:685
	991 522 347 01 5Q0	Black			
3	999 076 092 01	Hexagon nut M 8		1	
4	991 522 349 00	Insert Stowage compartment		1	PR:685
5	991 522 419 00	Trim Belt latch	left	1	PR:685
	991 522 419 00 1E0	Black			
(5)	991 522 420 00	Trim Belt latch	right	1	PR:685
	991 522 420 00 1E0	Black			
(6)	991 522 357 01	Cover Stowage compartment		1	PR:685
	991 522 357 01 1E0	Black	painted		

Model: 991-16

Model life 2017>>



Model: 991-16

Model life 2017>>

Pos	Part Number	Description	Remark	Qty	Model
-		repair set Set of locks comprising: Halter Door handle, exterior emergency key Key fob Glove compartment lock Key cover		1 2 1 1 2	
1	9P1 800 375 D	Set of locks 3 buttons	lhd	1	Coupe PR:098,524
(1)	9P1 800 375 D	Set of locks 3 buttons	lhd	1	Cabrio PR:098,524, 533
(1)	9P1 800 375 D	Set of locks 3 buttons	lhd	1	Targa PR:098,524, 533
(1)	9P1 800 375 E	Set of locks 3 buttons	rhd	1	Coupe PR:099,524
(1)	9P1 800 375 E	Set of locks 3 buttons	rhd	1	Cabrio PR:099,524, 533
(1)	9P1 800 375 E	Set of locks 3 buttons	rhd	1	Targa PR:099,524, 533
(1)	9P1 800 375 F	Set of locks 3 buttons	lhd	1	Coupe PR:098,523
(1)	9P1 800 375 F	Set of locks 3 buttons	lhd	1	Cabrio PR:098,523, 533
(1)	9P1 800 375 F	Set of locks 3 buttons	lhd	1	Targa PR:098,523, 533
(1)	9P1 800 375 G	Set of locks 3 buttons	rhd	1	Coupe PR:099,523
(1)	9P1 800 375 G	Set of locks 3 buttons	rhd	1	Cabrio PR:099,523, 533
(1)	9P1 800 375 G	Set of locks 3 buttons	rhd	1	Targa PR:099,523, 533
(1)	9P1 800 375 H	Set of locks 3 buttons	lhd	1	Coupe PR:072,098, 525
(1)	9P1 800 375 H	Set of locks 3 buttons	lhd	1	Cabrio PR:072,098, 525,533
(1)	9P1 800 375 H	Set of locks 3 buttons	lhd	1	Targa PR:072,098, 525,533
(1)	9P1 800 375 J	Set of locks 3 buttons	rhd	1	Coupe PR:068,099, 525
(1)	9P1 800 375 J	Set of locks 3 buttons	rhd	1	Cabrio PR:068,099, 525,533
(1)	9P1 800 375 J	Set of locks 3 buttons	rhd	1	Targa PR:068,099, 525,533
(1)	9P1 800 375 K	Set of locks 3 buttons	lhd	1	Coupe PR:098,525, -072,-553
(1)	9P1 800 375 K	Set of locks	lhd	1	Cabrio

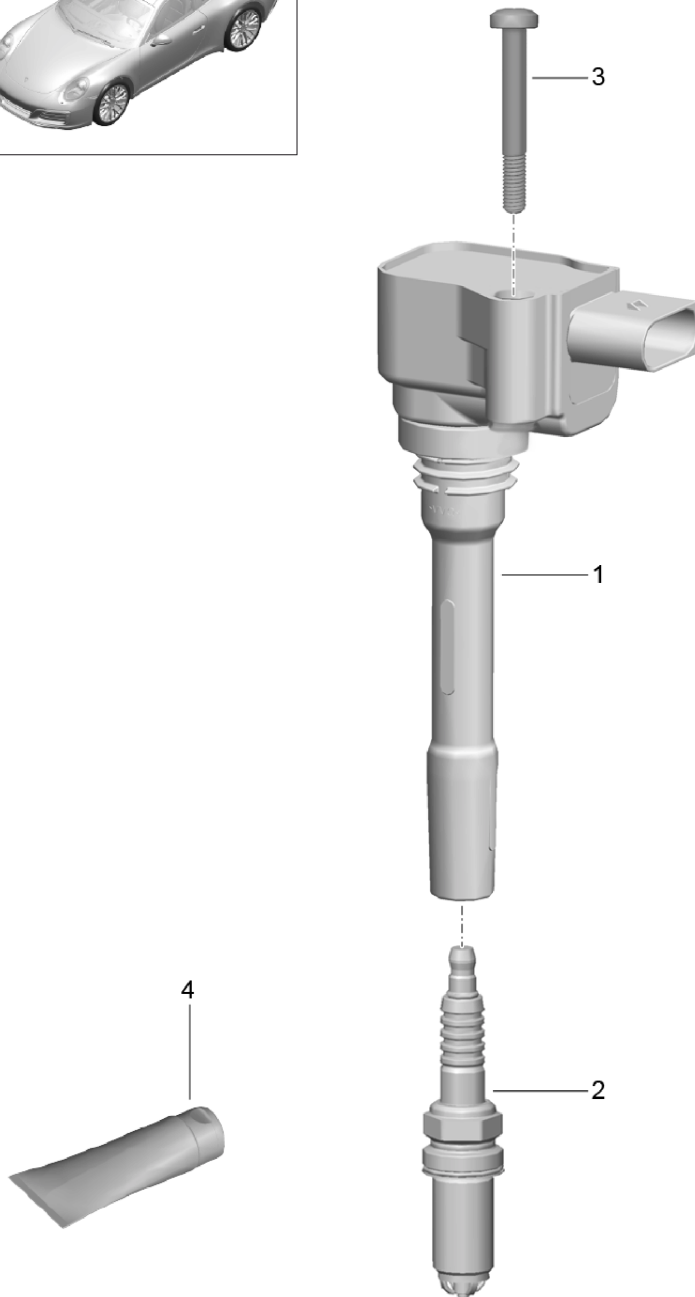
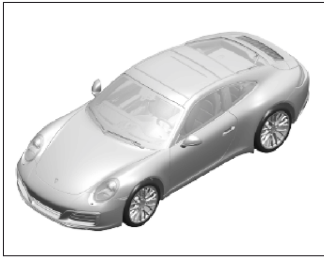
Model: 991-16 Model life 2017>>

Pos	Part Number	Description	Remark	Qty	Model
		3 buttons			PR:098,525, -072,-553, 533
(1)	9P1 800 375 K	Set of locks 3 buttons	lhd	1	Targa PR:098,525, -072,-553, 533
(1)	9P1 800 375 L	Set of locks 3 buttons	rhd	1	Coupe PR:099,525, -068,-074
(1)	9P1 800 375 L	Set of locks 3 buttons	rhd	1	Cabrio PR:099,525, -068,-074, 533
(1)	9P1 800 375 L	Set of locks 3 buttons	rhd	1	Targa PR:099,525, -068,-074, 533
(1)	9P1 800 375 M	Set of locks 4 buttons	lhd	1	Cabrio PR:098,524, -533
(1)	9P1 800 375 N	Set of locks 4 buttons	rhd	1	Cabrio PR:099,524, -533
(1)	9P1 800 375 P	Set of locks 4 buttons	lhd	1	Cabrio PR:098,523, -533
(1)	9P1 800 375 Q	Set of locks 4 buttons	rhd	1	Cabrio PR:099,523, -533
(1)	9P1 800 375 R	Set of locks 4 buttons	lhd	1	Cabrio PR:098,525, -072,-533, -553
(1)	9P1 800 375 S	Set of locks 4 buttons	rhd	1	Cabrio PR:099,525, -072,-533, -553
(1)	9P1 800 375 T	Set of locks 4 buttons	lhd	1	Targa PR:098,524, -533
(1)	9P1 800 375 AA	Set of locks 4 buttons	rhd	1	Targa PR:099,524, -533
(1)	9P1 800 375 AB	Set of locks 4 buttons	lhd	1	Targa PR:098,523, -533
(1)	9P1 800 375 AC	Set of locks 4 buttons	rhd	1	Targa PR:099,523, -533
(1)	9P1 800 375 AD	Set of locks 4 buttons	lhd	1	Targa PR:098,525, -072,-533, -553
(1)	9P1 800 375 AE	Set of locks 4 buttons	rhd	1	Targa PR:099,525, -072,-533, -553



Model: 991-16

Model life 2017>>



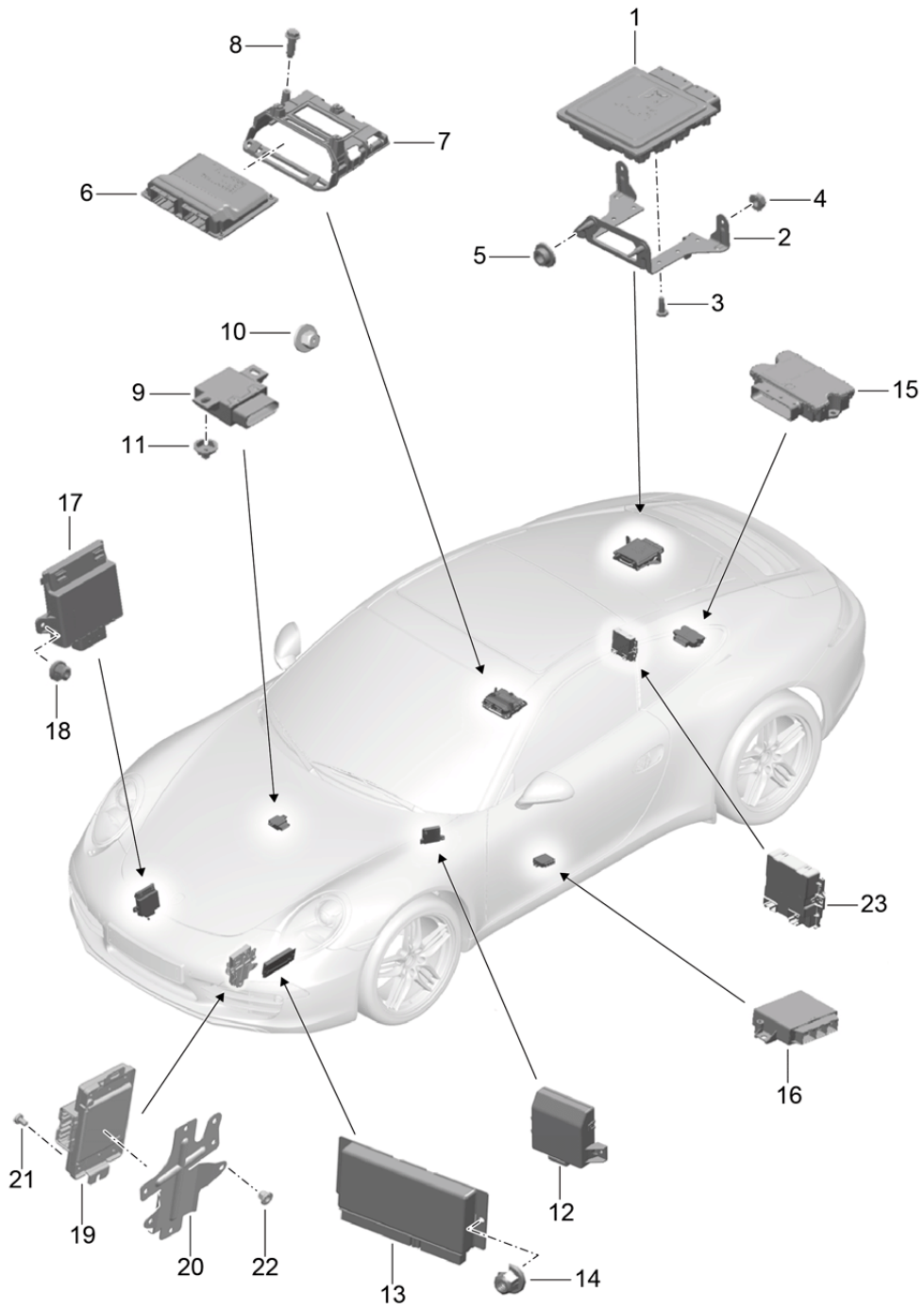
Model: 991-16

Model life 2017>>

Pos	Part Number	Description	Remark	Qty	Model
1	9A2 602 104 02	Ignition system Ignition coil		6	
		with:			
2	999 170 154 90	Screw Spark plug ZR5		6	
		also use:	000 043 210 83	X	
3	999 073 703 01	flat round head bolt M 6 X 46,5		6	
4	000 043 210 83	grease for Ignition coil		1	

Model: 991-16

Model life 2017>>



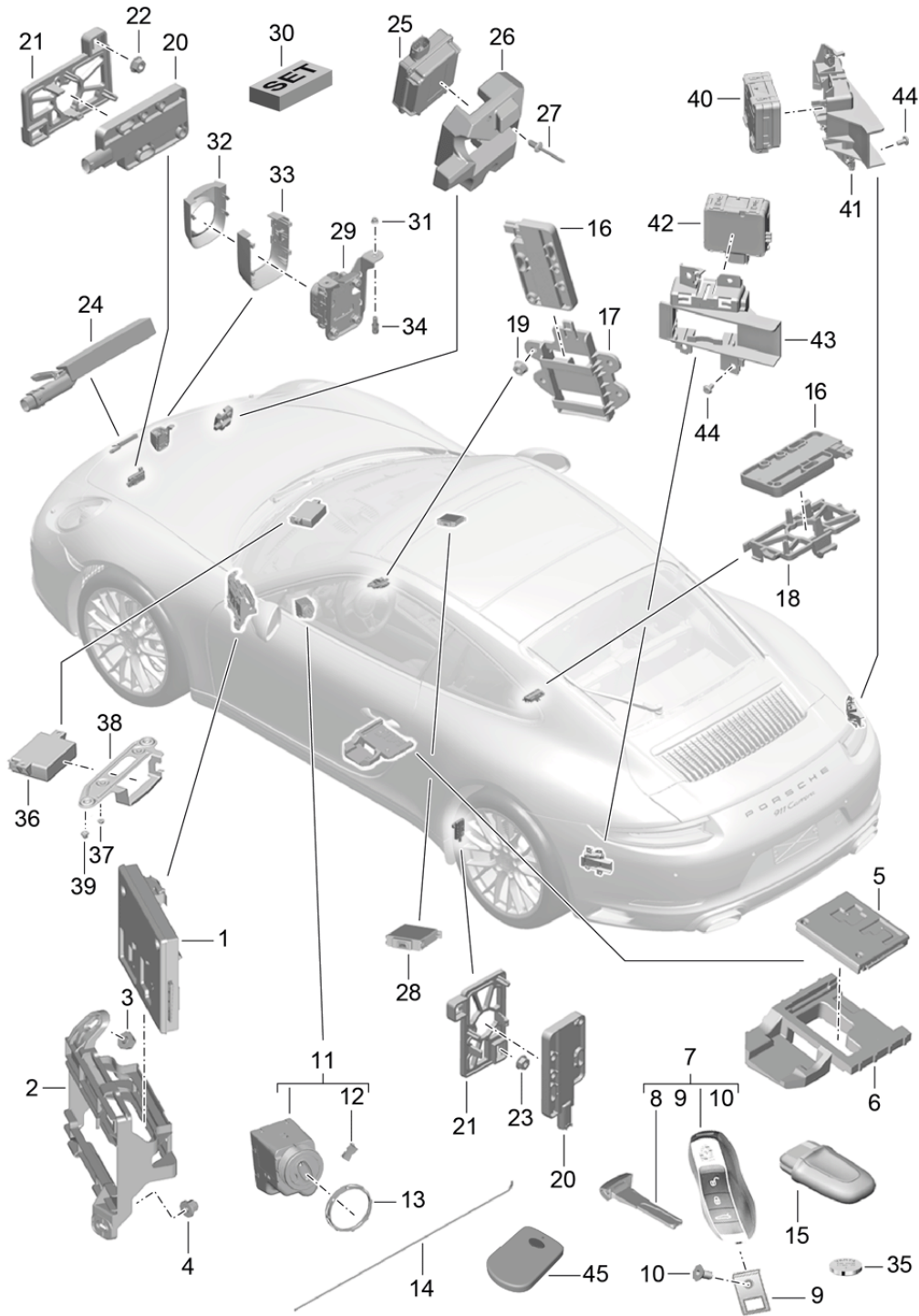
Model: 991-16

Model life 2017&gt;&gt;

Pos	Part Number	Description	Remark	Qty	Model
1	9P1 907 309 B	Control units Control unit		1	
2	991 618 161 01	- DME - Retainer for control units		1	
3	999 141 044 09	- DME - fillister hd. bolt		6	
4	999 084 638 01	M 6 X 16 Hexagon nut		2	
5	999 703 496 40	M 6 Rubber bush		2	
6	991 618 272 03	Control unit		1	PR:250
7	991 618 255 00	- PDK - Retainer for control units		1	PR:250
8	999 919 130 09	STEUERGERÄT - PDK - Hexagon bolt		1	PR:250
(9)	7P0 906 093 B	6,0 X 18,0 Control unit for fuel		1	CARRERA 4/4S
10	970 618 377 00	pump Support section		1	CARRERA 4/4S
11	999 049 025 09	Control unit Fuel pump		2	
12	95B 907 530 G	Collar nut T 5		1	
12	95B 907 530 M	Control unit for gateway D >> - 20.11.2017		1	
13	991 618 107 23	Control unit for gateway D - 21.11.2017>>		1	PR:031,352
14	999 049 033 40	Control unit - PDCC -		2	
15	991 618 145 03	Plastic nut T 6		1	
16	95B 919 475 H	Control unit Electric parking brake		1	PR:636,638
(16)	991 618 185 09	Control unit for parking aid		1	PR:635
17	7PP 959 663 D	Control unit for parking aid		1	PR:642
18	999 049 033 40	Voltage converter For start-stop system		2	PR:642
19	991 618 195 44	Plastic nut T 6		1	CARRERA 4/4S
19	991 618 195 45	Control unit for four-wheel drive		1	CARRERA 4/4S
20	991 618 143 02	D >> - 12.10.2016 Control unit for four-wheel drive		1	CARRERA 4/4S
21	999 073 236 0A	D - 13.10.2016>> Bracket		2	CARRERA 4/4S
22	999 049 033 40	Control unit All-wheel		2	CARRERA 4/4S
23	9P1 959 257 E	fillister hd. bolt M 6 X 10		1	
-		Plastic nut M 6 X 10		1	
-		Control unit Level adjustment		1	CABRIO
-		Control unit Convertible top control	811-025	1	
-		see illustration: Control unit Headlight range control	905-003	1	
-		see illustration:			

Model: 991-16

Model life 2017>>



Model: 991-16

Model life 2017>>

Pos	Part Number	Description	Remark	Qty	Model
		Control units Electronics Front end Rear end Handheld transmitter Ignition/starter switch Aerial Garage door opener Sensor Interior monitoring VTS vehicle tracking			
1	7PP 907 064 JJ	Control unit Electronics Front end		1	PR:523
1	7PP 907 064 JK	Control unit (BCM) for conv. system & OB power supply Electric Front end		1	PR:524
1	7PP 907 064 JL	Control unit (BCM) for conv. system & OB power supply Electric Front end		1	PR:525
2	991 610 111 00	Retainer for control units		1	PR:098
(2)	991 610 113 00	Retainer for control units		1	PR:099
3	999 084 638 01	Hexagon nut M 6		1	
4	999 076 081 40	Hexagon plastic collar nut T 5		1	
5	7PP 907 279 BF	Control unit Electronics Rear end		1	
6	991 618 325 00	Retainer for control units		1	
7	991 637 950 03	Handheld transmitter Key cover * Part number must be ordered * manually by indicating * vehicle ID number. See technical information Service Group 5 Document		1	COUPE PR:524
7	991 637 950 10	Handheld transmitter Key cover * Part number must be ordered * manually by indicating * vehicle ID number. See technical information Service Group 5 Document		1	COUPE PR:524
7	991 637 950 03	Handheld transmitter Key cover * Part number must be ordered * manually by indicating * vehicle ID number. See technical information Service Group 5 Document		1	CABRIO PR:524,533
7	991 637 950 10	Handheld transmitter Key cover * Part number must be ordered * manually by indicating		1	CABRIO PR:524,533

Model: 991-16

Model life 2017>>

Pos	Part Number	Description	Remark	Qty	Model
7	991 637 950 03	* vehicle ID number. See technical information Service Group 5 Document Handheld transmitter Key cover * Part number must be ordered * manually by indicating * vehicle ID number. See technical information Service Group 5 Document		1	TARGA PR:524,533
7	991 637 950 10	Handheld transmitter Key cover * Part number must be ordered * manually by indicating * vehicle ID number. See technical information Service Group 5 Document		1	TARGA PR:524,533
7	991 637 963 03	Handheld transmitter Key cover * Part number must be ordered * manually by indicating * vehicle ID number. See technical information Service Group 5 Document		1	COUPE PR:523
7	991 637 963 10	Handheld transmitter Key cover * Part number must be ordered * manually by indicating * vehicle ID number. See technical information Service Group 5 Document		1	COUPE PR:523
7	991 637 963 03	Handheld transmitter Key cover * Part number must be ordered * manually by indicating * vehicle ID number. See technical information Service Group 5 Document		1	CABRIO PR:523,533
7	991 637 963 10	Handheld transmitter Key cover * Part number must be ordered * manually by indicating * vehicle ID number. See technical information Service Group 5 Document		1	CABRIO PR:523,533
7	991 637 963 03	Handheld transmitter Key cover * Part number must be ordered * manually by indicating		1	TARGA PR:523,533

Model: 991-16

Model life 2017>>

Pos	Part Number	Description	Remark	Qty	Model
7	991 637 963 10	* vehicle ID number. See technical information Service Group 5 Document Handheld transmitter Key cover * Part number must be ordered * manually by indicating * vehicle ID number. See technical information Service Group 5 Document		1	TARGA PR:523,533
7	991 637 952 03	Handheld transmitter Key cover * Part number must be ordered * manually by indicating * vehicle ID number. See technical information Service Group 5 Document		1	COUPE PR:525
7	991 637 952 10	Handheld transmitter Key cover * Part number must be ordered * manually by indicating * vehicle ID number. See technical information Service Group 5 Document		1	COUPE PR:525
7	991 637 952 03	Handheld transmitter Key cover * Part number must be ordered * manually by indicating * vehicle ID number. See technical information Service Group 5 Document		1	CABRIO PR:525,533
7	991 637 952 10	Handheld transmitter Key cover * Part number must be ordered * manually by indicating * vehicle ID number. See technical information Service Group 5 Document		1	CABRIO PR:525,533
7	991 637 952 03	Handheld transmitter Key cover * Part number must be ordered * manually by indicating * vehicle ID number. See technical information Service Group 5 Document		1	TARGA PR:525,533
7	991 637 952 10	Handheld transmitter Key cover * Part number must be ordered * manually by indicating		1	TARGA PR:525,533



Model: 991-16

Model life 2017>>

Pos	Part Number	Description	Remark	Qty	Model
(7)	991 637 956 03	* vehicle ID number. See technical information Service Group 5 Document Handheld transmitter Key cover * Part number must be ordered * manually by indicating * vehicle ID number. See technical information Service Group 5 Document		1	CABRIO PR:524,-533
(7)	991 637 956 10	Handheld transmitter Key cover * Part number must be ordered * manually by indicating * vehicle ID number. See technical information Service Group 5 Document		1	CABRIO PR:524,-533
(7)	991 637 962 03	Handheld transmitter Key cover * Part number must be ordered * manually by indicating * vehicle ID number. See technical information Service Group 5 Document		1	CABRIO PR:523,-533
(7)	991 637 962 10	Handheld transmitter Key cover * Part number must be ordered * manually by indicating * vehicle ID number. See technical information Service Group 5 Document		1	CABRIO PR:523,-533
(7)	991 637 957 03	Handheld transmitter Key cover * Part number must be ordered * manually by indicating * vehicle ID number. See technical information Service Group 5 Document		1	CABRIO PR:525,-072, -533
(7)	991 637 957 10	Handheld transmitter Key cover * Part number must be ordered * manually by indicating * vehicle ID number. See technical information Service Group 5 Document		1	CABRIO PR:525,-072, -533
(7)	991 637 981 00	Handheld transmitter Key cover * Part number must be ordered * manually by indicating		1	Targa PR:523,-533

Model: 991-16

Model life 2017>>

Pos	Part Number	Description	Remark	Qty	Model
(7)	991 637 981 10	* vehicle ID number. See technical information Service Group 5 Document Handheld transmitter Key cover * Part number must be ordered * manually by indicating * vehicle ID number. See technical information Service Group 5 Document		1	Targa PR:523,-533
(7)	991 637 983 00	Handheld transmitter Key cover * Part number must be ordered * manually by indicating * vehicle ID number. See technical information Service Group 5 Document		1	Targa PR:524,-533
(7)	991 637 983 10	Handheld transmitter Key cover * Part number must be ordered * manually by indicating * vehicle ID number. See technical information Service Group 5 Document		1	Targa PR:524,-533
(7)	991 637 985 00	Handheld transmitter Key cover * Part number must be ordered * manually by indicating * vehicle ID number. See technical information Service Group 5 Document		1	Targa PR:525,-072, -533
(7)	991 637 985 10	Handheld transmitter Key cover * Part number must be ordered * manually by indicating * vehicle ID number. See technical information Service Group 5 Document		1	Targa PR:525,-072, -533
8	958 538 916 00	emergency key with stipulated lock number * Part number must be ordered * manually by indicating * vehicle ID number.		1	
9	991 637 301 00	Eye		1	
10	991 637 303 00	countersunk bolt		1	
11	7PP 905 865 F	Control unit Ignition/starter switch D >> - 25.09.2016		1	
(11)	9A7 905 865 00	Control unit Ignition/starter switch D - 26.09.2016>>		1	

Model: 991-16

Model life 2017>>

Pos	Part Number	Description	Remark	Qty	Model
12	970 618 959 00	Cover Release Handheld transmitter		1	
13	7PP 911 094	Nut		1	
14	7PP 907 256	Emergency operation Release Ignition/starter switch		1	
15	7PP 919 157 A	Control panel		1	
16	7PP 962 132 A	Aerial	inner	2	
17	991 637 335 01	Retainer for aerial		1	
18	991 637 333 00	Retainer for aerial		1	
19	999 507 074 02	Tapping nut 5		4	
20	7PP 962 132	Aerial	outer	3	
21	991 637 331 00	Retainer for aerial		3	
22	999 084 638 01	Hexagon nut M 6		2	
23	999 049 033 40	Plastic nut T 6		4	
24	991 637 133 01	Sensor Cover Trim	front	1	
25	8K0 907 410	Control unit for opening garage door		1	433 MHz
(25)	8K0 907 410 C	Control unit for opening garage door		1	PR:608 315 MHz PR:607
26	991 618 257 01	Bracket		1	
27	999 190 310 30	Pop rivet		1	
28	991 618 209 01	Sensor for interior monitoring		1	
29	991 605 085 04	Control unit for distance regulation Distance sensor		1	
30	970 605 901 00	Retaining frame repair set comprising: Clip adjusting screw Screw Clip	with:	1	
31	N 102 058 02	Hexagon collar nut self-locking M 6		2	
32	991 605 186 00	Cover panel		1	PR:153
(32)	991 605 186 00 1E0	Black			
	991 605 190 01	Cover panel		1	PR:-153
	991 605 190 01 1E0	Black			
33	991 605 188 00	Cover panel		1	
	991 605 188 00 1E0	Black			
34	999 080 056 01	Fastening screw		2	
35	999 611 108 00	Battery for hand sender		1	
36	9A7 637 620 00	Control unit VTS vehicle tracking		1	PR:7G9,7I0, 7I2
37	900 377 010 01	Hexagon nut		2	PR:7G9,7I0,
38	9P1 035 317	Retainer for control units		1	PR:7G9,7I0, 7I2
39	999 076 081 40	VTS vehicle tracking Hexagon plastic collar nut		2	PR:7G9,7I0,
40	9P1 907 566 B	Control unit for lane change assist MASTER See workshop manual		1	PR:457

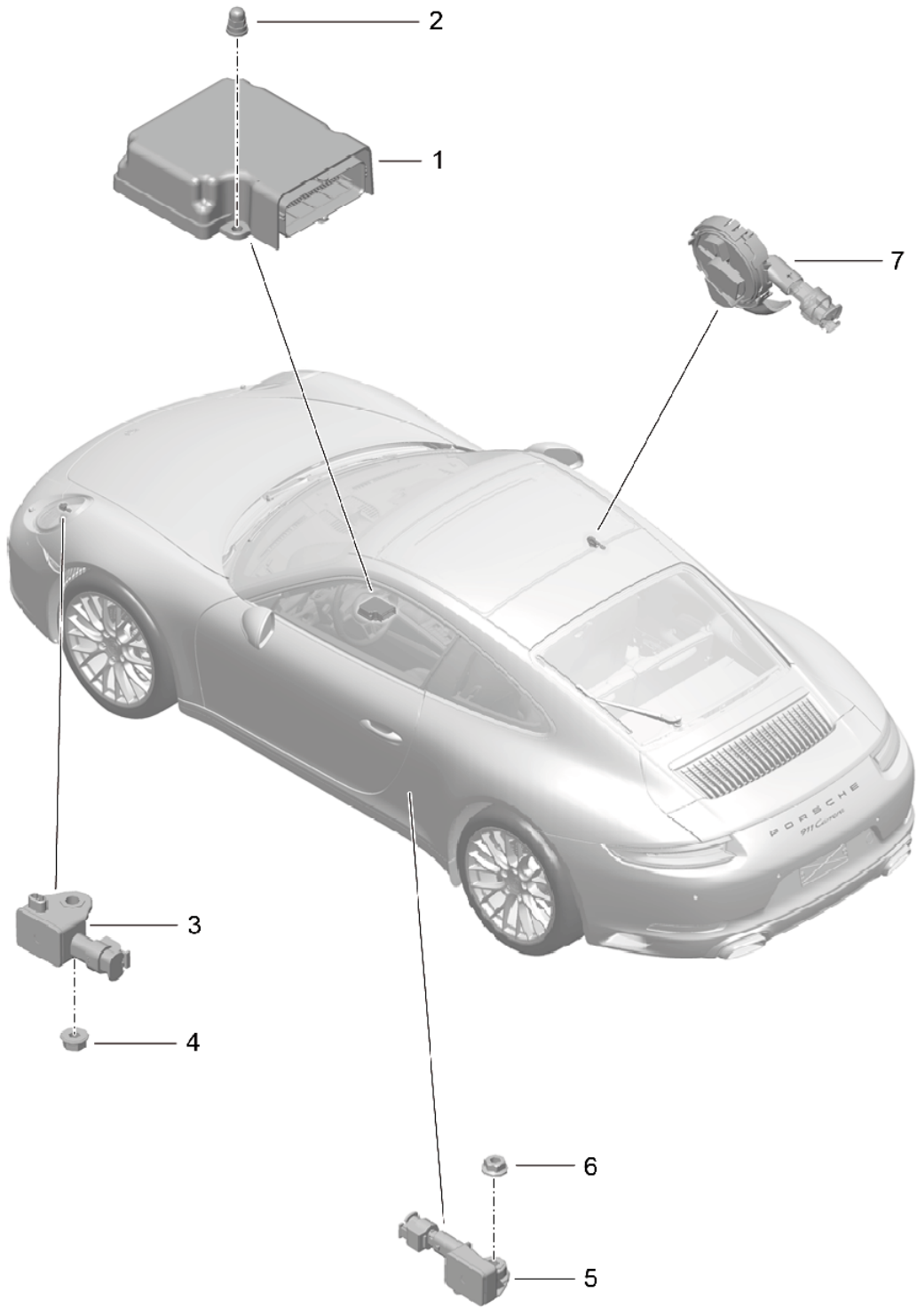
Model: 991-16

Model life 2017>>

Pos	Part Number	Description	Remark	Qty	Model
(40)	9P1 907 566 C	D >> - 29.07.2016 Control unit for lane change assist MASTER		1	PR:457
41	9P1 907 510 F	D - 29.08.2016>> Bracket Control unit for lane change assist MASTER		1	PR:457
42	9P1 907 590 B	Control unit for lane change assist SLAVE See workshop manual		1	PR:457
(42)	9P1 907 590 C	D >> - 29.07.2016 Control unit for lane change assist SLAVE		1	PR:457
43	9P1 907 509 F	D - 29.08.2016>> Bracket Control unit for lane change assist SLAVE		1	PR:457
44	999 073 273 09	fillister hd. bolt		6	PR:457
45	7PP 862 077	Driver Card		1	PR:7I2
-		VTS vehicle tracking Alarm horn  see illustration:	903-000		

Model: 991-16

Model life 2017>>



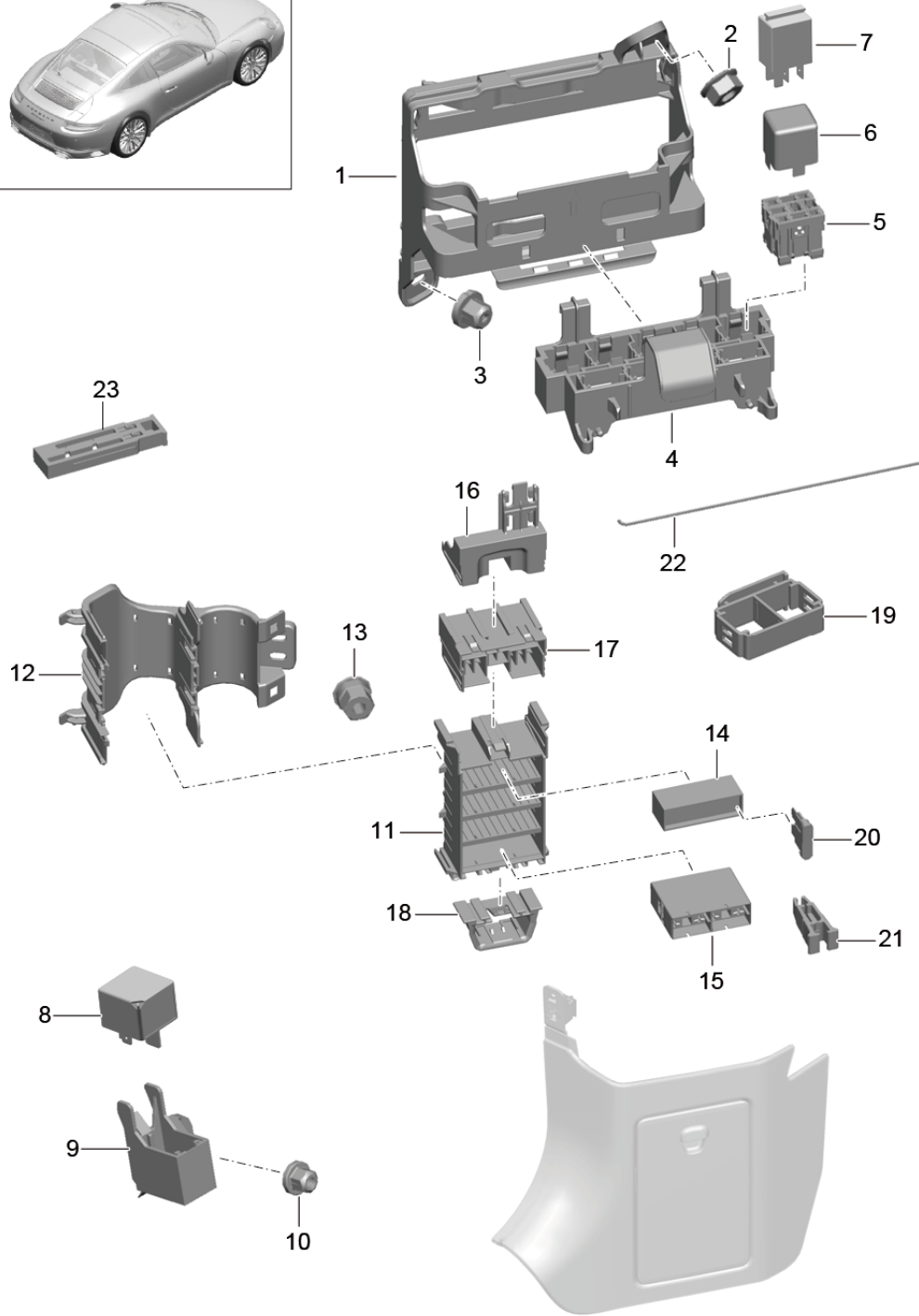
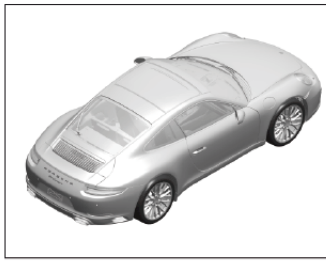
Model: 991-16

Model life 2017>>

Pos	Part Number	Description	Remark	Qty	Model
-		Control unit Sensor Airbag Airbag unit			
-		see illustration: Switch Airbag	812-050		
1	991 618 201 09	Control unit for airbag	see illustration: 903-005	1	
2	999 070 015 02	domed cap nut M 6		3	
3	991 618 223 01	Front sensor		2	
4	999 084 638 01	Hexagon nut M 6		2	
5	991 618 221 01	Sensor Side airbag unit		2	
6	999 084 629 01	Hexagon nut M 6		2	
7	9P1 959 354	Pressure sensor doors		2	

Model: 991-16

Model life 2017>>



Model: 991-16

Model life 2017>>

Pos	Part Number	Description	Remark	Qty	Model
		central electrics dashboard			
1	991 610 111 00	Retainer for control units	lhd	1	PR:098
(1)	991 610 113 00	Retainer for control units	rhd	1	PR:099
2	999 084 638 01	Hexagon nut M 6		1	
3	999 076 081 40	Hexagon plastic collar nut T 5		1	
4	991 610 105 00	Mounting frame		1	
5	443 937 527	relay plate		X	
		for Relay K 3,K 4,K 5			
(5)	999 650 538 40	relay plate		X	
		for Relay K 6			
6		Relay			
(6)	958 615 008 01	Relay Radiator fan 1		1	
		relay location/code no.:	K1		
(6)	958 615 008 01	Relay Radiator fan 2		1	
		relay location/code no.:	K2		
(6)	999 657 016 90	Relay Emergency operation Cover		1	
		relay location/code no.:	K3		
7	958 615 010 00	Relay Fanfare		1	
		relay location/code no.:	K8		
8	4H0 951 253 C	Relay Fuel pump Luggage compartment		1	
9	991 610 151 00	Relay holder		1	
10	999 049 033 40	Fuel pump Plastic nut T 6		1	
11	991 610 101 00	Carrier		2	
12	991 610 103 00	Cover		2	
13	999 516 032 01	Hexagon nut M 6		2	
14	999 650 209 40	fuse holder		6	
15	999 650 750 40	fuse holder		2	
16	991 610 104 00	Cover		1	
17	991 610 102 00	Bracket fuse	left	1	
18	991 610 120 00	mounting for diagnosis plug		1	
19	991 610 127 00	Bracket Connection point		5	
20	999 607 082 00	fuse		X	
		5 A			
(20)	999 607 083 00	fuse		X	
		7 , 5 A			
(20)	999 607 084 00	fuse		X	
		10 A			
(20)	999 607 085 00	fuse		X	
		15 A			
(20)	999 607 086 00	fuse		X	
		20 A			
(20)	999 607 087 00	fuse		X	
		25 A			



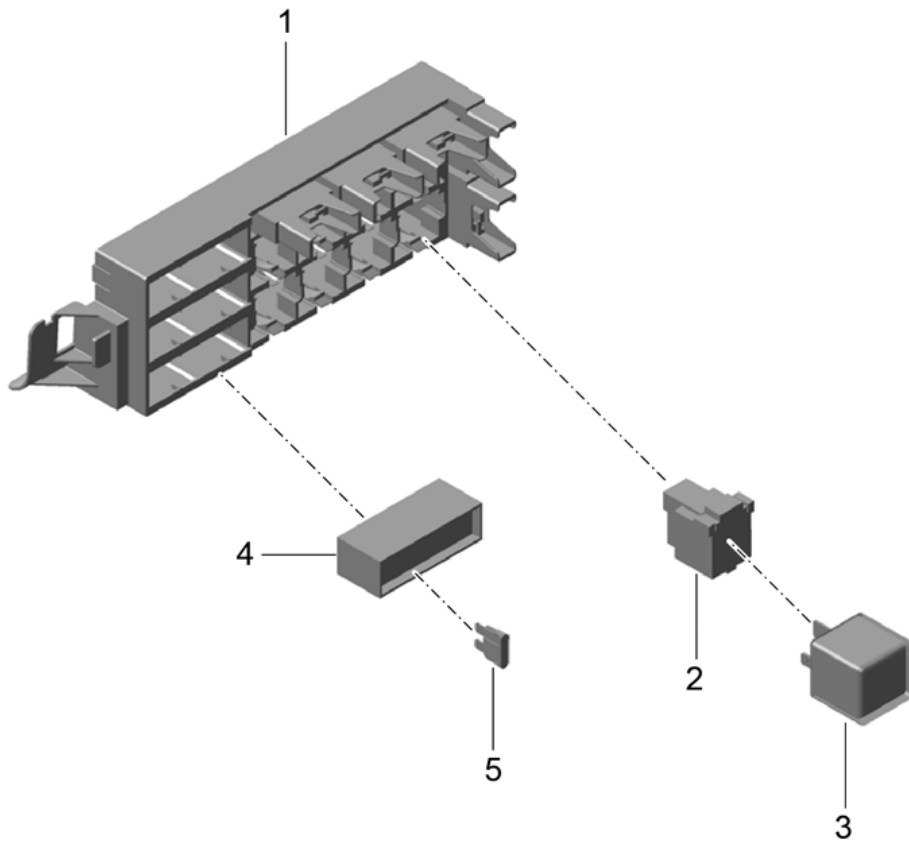
Model: 991-16

Model life 2017>>

Pos	Part Number	Description	Remark	Qty	Model
(20)	999 607 088 00	fuse 30 A		X	
(20)	999 607 089 00	fuse 40 A		X	
(20)	999 607 111 00	fuse 25 A	Large	X	
(20)	999 607 072 00	fuse 30 A	Large	X	
(20)	999 607 073 00	fuse 40 A	Large	X	
(20)	999 607 019 00	fuse 50 A	Large	X	
21	999 107 300 40	Tool		X	
22	7PP 907 256	Emergency operation Release Ignition/starter switch		1	
23	991 610 340 00	Terminal clamp Emergency operation Cover		1	
-		Cover for housing fuse  see illustration:	807-010	X	

Model: 991-16

Model life 2017>>

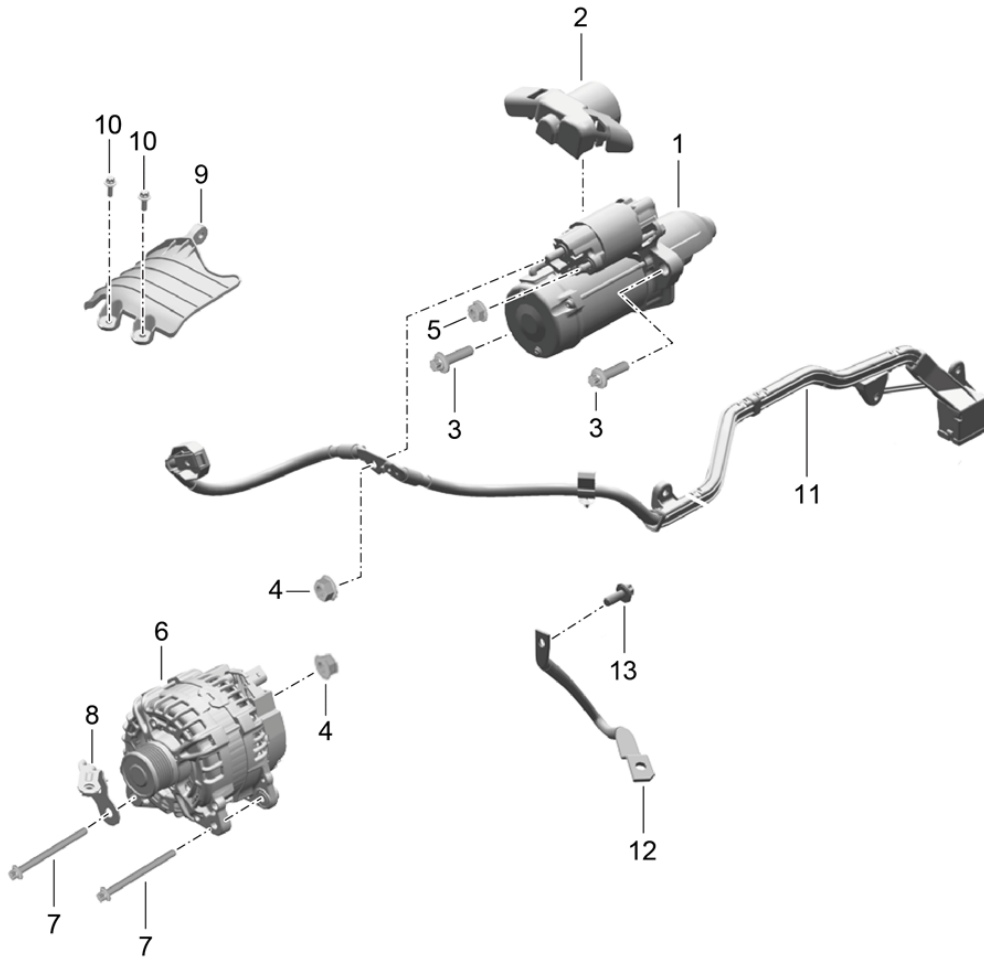
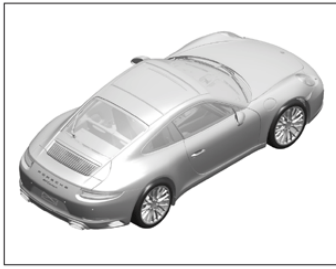


Model: 991-16 Model life 2017>>

Pos	Part Number	Description	Remark	Qty	Model
		central electrics			
		Rear end			
1	991 610 107 00	Mounting frame		1	
		relay plate			
2	955 610 307 00	relay plate		X	
(2)	999 656 311 40	relay plate		X	
3		Relay			
(3)	958 615 008 01	Relay		1	
		- DME -			
		relay location/code no.:	K1		
(3)	955 615 029 00	Relay		1	
		Fan			
		Engine bay			
		relay location/code no.:	K2		
(3)	955 615 027 00	Relay		1	
		Starter			
		relay location/code no.:	K3		
(3)	999 657 016 90	Relay		1	
		Spoiler			
		relay location/code no.:	K4		
(3)	958 615 008 01	Relay		1	
		Secondary pump			
		relay location/code no.:	K5		
(3)	999 657 014 90	Relay		2	
		Fan			
		Engine bay			
		relay location/code no.:	K6		
(3)	958 615 010 00	Relay		1	
		Rear window heating			
		relay location/code no.:	K7		
(3)	999 657 016 90	Relay		1	
		Spoiler			
		relay location/code no.:	K8		
4	999 650 209 40	fuse holder		3	
5	999 607 082 00	fuse		X	
		5 A			
(5)	999 607 084 00	fuse		X	
		10 A			
(5)	999 607 085 00	fuse		X	
		15 A			
(5)	999 607 086 00	fuse		X	
		20 A			
(5)	999 607 087 00	fuse		X	
		25 A			
(5)	999 607 088 00	fuse		X	
		30 A			
(5)	999 607 073 00	fuse		X	
		40 A			
			Large		

Model: 991-16

Model life 2017>>



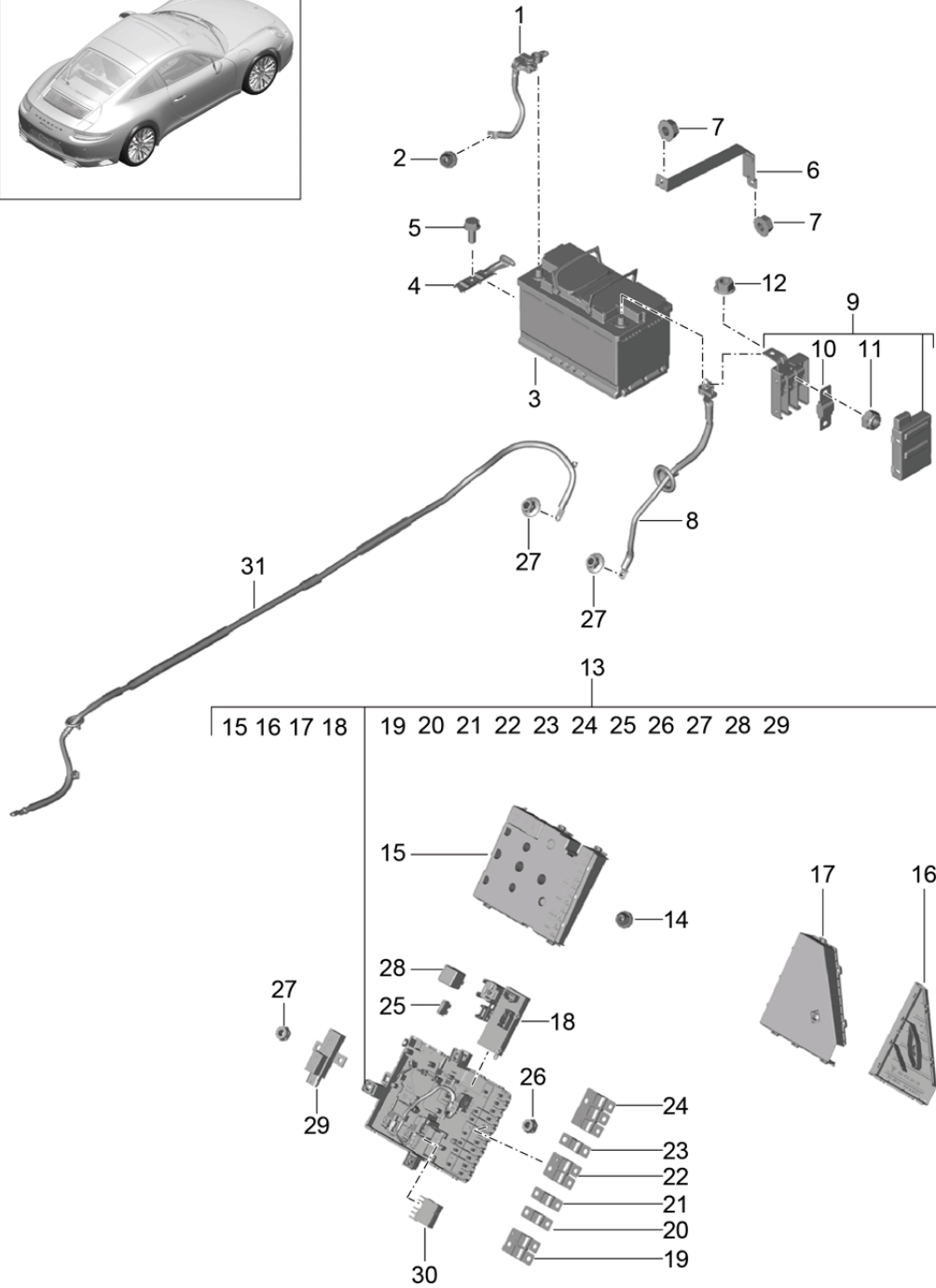
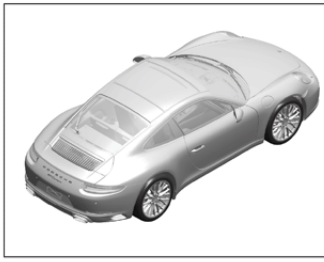
Model: 991-16

Model life 2017>>

Pos	Part Number	Description	Remark	Qty	Model
		Starter			
		Alternator			
		Ground cable			
1	9A2 604 109 00	Starter		1	
1	9A2 604 109 X	Starter		1	
2	9A2 607 212 01	Protective cap		1	
		Starter			
3	900 385 097 01	Torx screw		2	
		BM 10 X 35			
4	900 377 003 01	Hexagon nut		1	
		M8			
5	900 377 010 02	Hexagon nut		1	
		M6			
6	9A2 603 018 00	Alternator		1	DCKA, DCK
6	9A2 603 018 X	Alternator		1	DCKA, DCK
(6)	9A2 603 022 00	Alternator		1	DCHA, DCH
(6)	9A2 603 022 X	Alternator		1	DCHA, DCH
7	900 385 102 01	Torx screw		2	
		BM 8 X 90			
8	9A2 102 295 02	Bracket		1	DCHA, DCH
		Cover			
(8)	9A2 102 297 02	Bracket		1	DCKA, DCK
		Cover			
9	9A1 603 290 01	Cover		1	
		Alternator			
10	900 385 009 01	Torx screw		2	
		BM 6 X 16			
11	9A2 607 075 01	Wire set		1	DCHA, DCH
		with:			
		Connection point			
		Alternator			
		Starter			
(11)	9A2 607 076 01	Wire set		1	DCKA, DCK
		with:			
		Connection point			
		Alternator			
		Starter			
12	9A2 607 158 00	Earth line		1	
		Engine			
		Body			
13	900 385 001 03	Torx screw		1	
		BM 8 X 20			
		Ground cable			
		Body			

Model: 991-16

Model life 2017>>



Model: 991-16

Model life 2017>>

Pos	Part Number	Description	Remark	Qty	Model
		Battery			
		Power distributor			
1	991 611 043 03	Earth line	lhd	1	PR:098
1	991 611 044 03	Earth line	rhd	1	PR:099
2	999 084 447 01	Hexagon nut M 8		1	
3	999 611 070 12	Battery 70 AH		1	PR:195 -"BR."
(3)	999 611 080 12	Battery 80 AH		1	PR:196 -"BR."
(3)	999 611 095 12	Battery 95 AH		1	PR:200 -"BR."
4	991 611 209 01	Rail	lhd	1	PR:098
(4)	991 611 210 01	Battery Rail	rhd	1	PR:099
5	900 378 017 01	Battery Hexagon bolt M 8 X 20		1	
6	991 611 212 00	Retainer for battery		1	
7	900 377 003 03	Hexagon nut M 8		2	
8	991 611 013 01	Battery cable	lhd	1	PR:098
(8)	991 611 014 01	Power distributor Battery cable	rhd	1	PR:099
9	991 610 321 00	Power distributor Fuse socket		1	
10	999 607 095 00	Battery fuse 80 A		1	
(10)	999 607 092 00	fuse 60 A		2	
-		also use:			
11	900 084 122 02	Hexagon nut M 5		6	
12	900 377 001 00	Hexagon nut M 6		1	
13	991 610 301 04	Power distributor (complete)		1	
		use if required:			
14	999 049 033 40	Position 14 Plastic nut T 6		3	
15	991 610 305 00	Cover		1	
16	991 610 307 00	Cable guide Lower part		1	
17	991 610 309 00	Cable guide - upper part		1	
18	991 618 075 01	Control unit		1	
19	999 607 054 00	fuse 100 A		1	
20	999 607 099 00	60 A fuse		1	
21	999 607 095 00	40 A fuse		1	
22	999 607 055 00	80 A fuse		1	
23	999 607 092 00	100 A 40 A fuse		1	
24	9A7 607 059 00	60 A fuse		1	
		100 A 60 A			

Model: 991-16

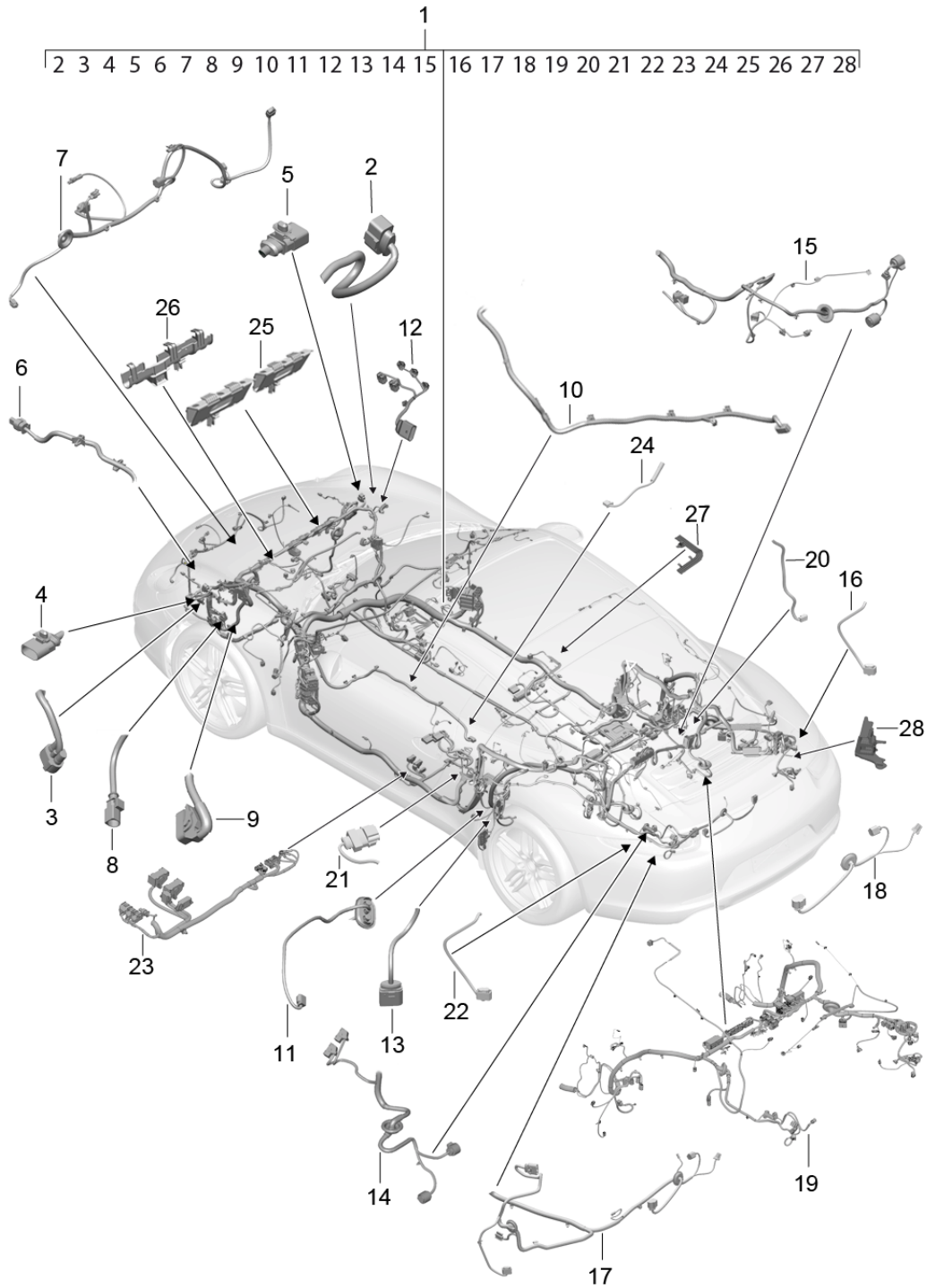
Model life 2017>>

Pos	Part Number	Description	Remark	Qty	Model
25	999 607 082 00	100 A fuse		1	
26	900 084 122 02	5 A Hexagon nut		X	
27	900 084 123 02	M 5 Hexagon nut		X	
28	8D0 951 253	M 8 Relay		1	
29	999 657 020 90	Relay		2	
30	999 657 021 90	Relay		1	
31	991 611 015 00	Cable Power distributor Connection point	lhd	1	PR:098
(31)	991 611 016 00	Cable Power distributor Connection point	rhd	1	PR:099



Model: 991-16

Model life 2017>>



Model: 991-16

Model life 2017>>

Pos	Part Number	Description	Remark	Qty	Model
1	991 612 901 00	Wiring looms Passenger compartment and part section wiring harness Wire set		1	
		Passenger compartment * Part number must be ordered * manually by indicating * vehicle ID number.			
2	991 612 920 03	Wire set part section wiring harness Headlights modify in workshop	left right	1	PR:601,603
(2)	991 612 920 11	Wire set part section wiring harness Headlights modify in workshop	left right	1	PR:XEY,602
3	991 612 921 01	Wire set part section wiring harness Fan Radiator modify in workshop	left right	1	
(4)	991 612 922 03	Wire set part section wiring harness Connection point Trim modify in workshop	left front	1	PR:-625, -635,-636, -638
(4)	991 612 922 52	Wire set part section wiring harness Connection point Trim modify in workshop	left front	1	PR:625,-635, -636,-638
(4)	991 612 922 53	Wire set part section wiring harness Connection point Trim modify in workshop	left front	1	PR:625,635, 636,638
5	991 612 937 02	Wire set part section wiring harness Connection point Trim modify in workshop	right front	1	PR:635,636, 638
6	991 612 923 01	Wire set part section wiring harness Sensor Airbag and modify in workshop	front left right	1	
7	991 612 924 03	Wire set part section wiring harness Front end modify in workshop		1	PR:098,-456
(7)	991 612 924 53	Wire set part section wiring harness Front end modify in workshop		1	PR:098,456
(7)	991 612 938 03	Wire set part section wiring harness Front end modify in workshop		1	PR:099,-456
(7)	991 612 938 53	Wire set part section wiring harness Front end		1	PR:099,456

Model: 991-16

Model life 2017>>

Pos	Part Number	Description	Remark	Qty	Model
8	991 612 926 00	modify in workshop Wire set part section wiring harness Connection point Front axle and	left right	2	
9	991 612 940 02	modify in workshop Wire set part section wiring harness Control unit Hydraulic unit		1	
10	991 612 925 03	modify in workshop Wire set part section wiring harness Control unit tyre pressure control system		1	PR:482
(10)	991 612 925 11	modify in workshop Wire set part section wiring harness Control unit tyre pressure control system		1	PR:483
11	991 612 928 11	modify in workshop Wire set part section wiring harness Aerial Wheel housing	rear left right	1	PR:625
12	991 612 942 03	modify in workshop Wire set part section wiring harness Valve block Rear axle - PDCC -	left	1	PR:352
13	991 612 930 01	modify in workshop Wire set part section wiring harness Connection point Rear axle	left right	1	
14	991 612 936 03	modify in workshop Wire set part section wiring harness - PDK - Gearbox		1	PR:250
		with:			
15	991 612 958 03	Connector Control unit modify in workshop Wire set part section wiring harness Manual gearbox		1	PR:487,-474
		with:			
15	991 612 958 11	Connector Control unit modify in workshop Wire set part section wiring harness Manual gearbox		1	PR:474,487
		with:			
16	991 612 933 10	modify in workshop Wire set part section wiring harness Rear light	left right	1	

Model: 991-16

Model life 2017&gt;&gt;

Pos	Part Number	Description	Remark	Qty	Model
17	991 612 934 03	modify in workshop Wire set part section wiring harness Connection point Trim	rear	1	CARRERA 2/2S PR: -635, -636, -638
(17)	991 612 934 53	modify in workshop Wire set part section wiring harness Connection point Trim	rear	1	CARRERA 4/4S PR: -635, -636, -638
(17)	991 612 935 03	modify in workshop Wire set part section wiring harness Connection point Trim	rear	1	CARRERA 2/2S PR: 635, 636, 638
(17)	991 612 935 04	modify in workshop Wire set part section wiring harness Connection point Trim	rear	1	CARRERA 4/4S PR: 635, 636, 638
18	991 612 943 02	modify in workshop Wire set part section wiring harness convertible top stowage box Cover		1	Targa 4/4S
19	991 612 951 02	Wire set part section wiring harness Rear end Electronics		1	
20	991 612 941 03	Wire set part section wiring harness Steering Wheel housing	rear	1	PR: 470
21	991 612 956 01	modify in workshop Wire set part section wiring harness Control unit VTS vehicle tracking		1	PR: 7G9, 7I0, 7I2
22	991 612 950 00	modify in workshop Wire set part section wiring harness Control unit Parking aid		1	PR: 635, 636, 638
23	991 612 952 02	modify in workshop Wire set part section wiring harness Control unit TV		1	PR: QU1, QV1
24	991 612 954 02	modify in workshop Wire set part section wiring harness Amplifiers Bose		1	PR: 9VL
(24)	991 612 955 02	modify in workshop Wire set part section wiring harness Amplifiers Burmester		1	PR: 9VJ
25	991 610 233 01	modify in workshop Cable guide filler plate		2	
26	991 610 234 01	Cable guide filler plate		1	

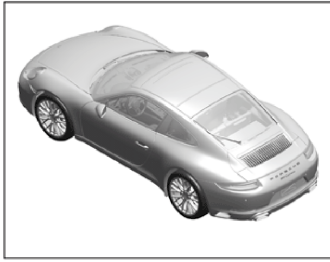
Model: 991-16

Model life 2017&gt;&gt;

Pos	Part Number	Description	Remark	Qty	Model
27	991 610 221 00	Cable guide Roofliner		1	
28	991 610 155 00	Bracket Connection point Behind Rear light		1	PR:638

Model: 991-16

Model life 2017>>



Model: 991-16 Model life 2017>>

Pos	Part Number	Description	Remark	Qty	Model
1	991 612 902 00	Wiring looms dashboard Trim Cover Steering Front axle Wire set dashboard Vehicle Ident. No.	front	1	
2	9P1 972 155	Wire set Trim	front left	1	PR:-625, -636,-638, -9ZC,-9ZE, -XAS,-XAT
(2)	9P1 972 155 B	Wire set Trim	front left	1	PR:-625, -636,-638, 9ZC,9ZE, -XAS,-XAT
(2)	9P1 972 155 H	Wire set Trim	front left	1	PR:-625, -636,-638, -9ZC,-9ZE, XAS,XAT
(2)	9P1 972 155 K	Wire set Trim	front left	1	PR:-625, -636,-638, 9ZC,9ZE, XAS,XAT
(2)	9P1 972 155 A	Wire set Trim	front left	1	PR:-625,636, 638,-9ZC, -9ZE,-XAS, -XAT
(2)	9P1 972 155 F	Wire set Trim	front left	1	PR:625,-636, -638, -XAS, -XAT
(2)	9P1 972 155 P	Wire set Trim	front left	1	PR:625,-636, -638, XAS, XAT
(2)	9P1 972 155 J	Wire set Trim	front left	1	PR:-625,636, 638,-9ZC, -9ZE,XAS,XAT
(2)	9P1 972 155 E	Wire set Trim	front left	1	PR:636,638, -9ZC,-9ZE, -XAS,-XAT
(2)	9P1 972 155 N	Wire set Trim	front left	1	PR:636,638, -9ZC,-9ZE, XAS,XAT
(2)	9P1 972 155 G	Wire set Trim	front left	1	PR:636,638, 9ZC,9ZE, -XAS,-XAT
(2)	9P1 972 155 Q	Wire set	front	1	PR:636,638,

Model: 991-16

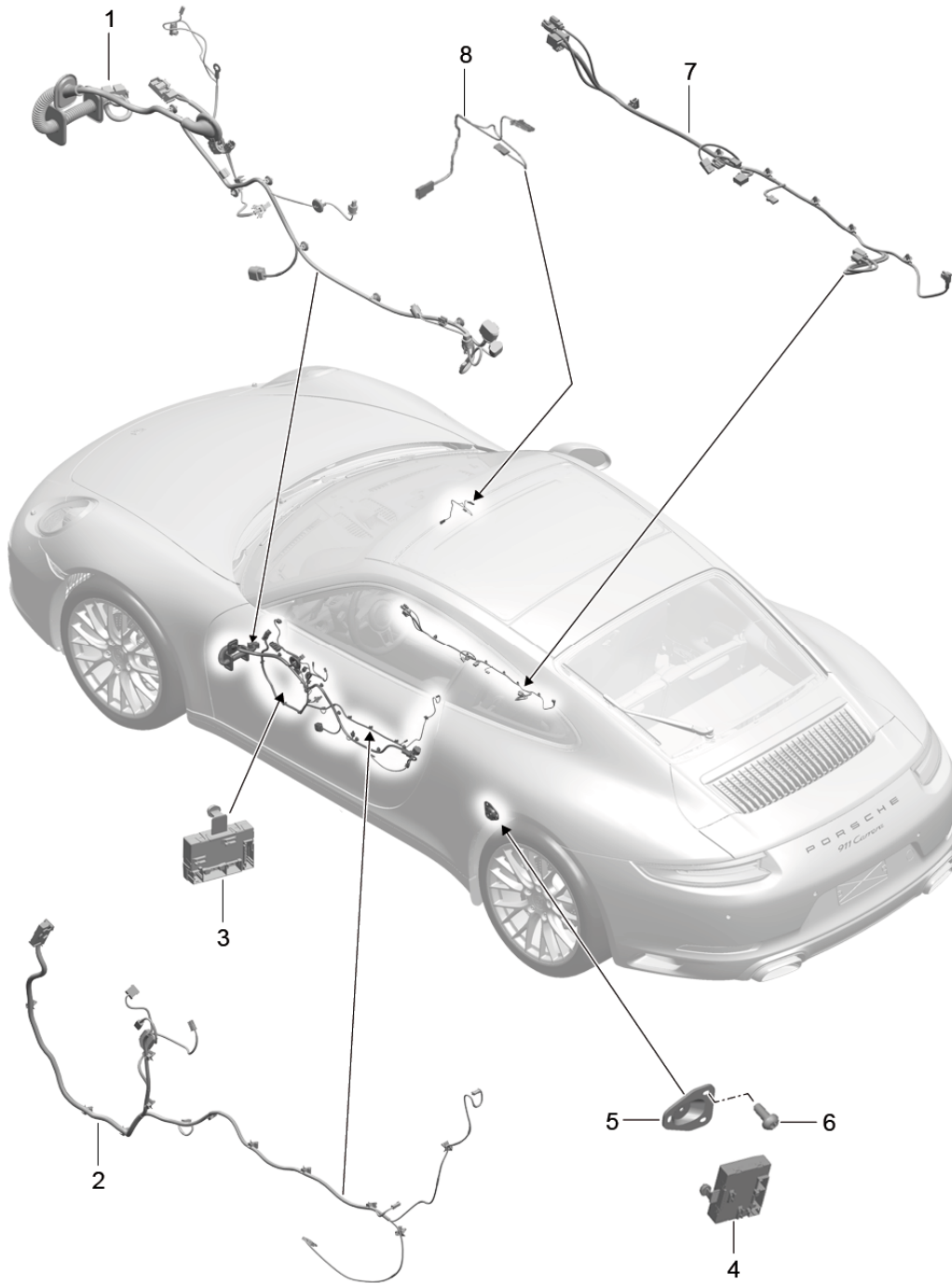
Model life 2017>>

Pos	Part Number	Description	Remark	Qty	Model
3	9P1 972 156	Trim Wire set Trim	left	1	9ZC,9ZE,XAS, XAT PR:-636, -638,-XAS, -XAT
(3)	9P1 972 156 D	Wire set Trim	front right	1	PR:-636, -638,XAS,XAT
(3)	9P1 972 156 C	Wire set Trim	front right	1	PR:636,638, -XAS,-XAT
(3)	9P1 972 156 G	Wire set Trim	front right	1	PR:636,638, XAS,XAT
4	9P3 971 111	Wire set Steering		1	PR:098
(4)	9P4 971 111	Wire set Steering		1	PR:099
5	991 609 137 00	Wire set Front axle		1	
6	991 610 133 00	Bracket Connection point Wire set Front axle		1	



Model: 991-16

Model life 2017>>



Model: 991-16

Model life 2017&gt;&gt;

Pos	Part Number	Description	Remark	Qty	Model
		Wiring looms doors Centre console Control unit doors Convertible top control			
1	9P3 971 029 AC	Wire set Assembly frame Driver's door	lhd	1	PR:098,250, 9VK
1	9P3 971 029 AD	Wire set Assembly frame Driver's door	lhd	1	PR:098,250, 9VL
1	9P3 971 029 AE	Wire set Assembly frame Driver's door	lhd	1	PR:098,250, 9VJ
1	9P3 971 029 Q	Wire set Assembly frame Driver's door	lhd	1	PR:098,487, 9VK
1	9P3 971 029 R	Wire set Assembly frame Driver's door	lhd	1	PR:098,487, 9VL
1	9P3 971 029 S	Wire set Assembly frame Driver's door	lhd	1	PR:098,487, 9VJ
1	9P3 971 687 J	Wire set Assembly frame Passenger's door	lhd	1	PR:098,9VK
1	9P3 971 687 K	Wire set Assembly frame Passenger's door	lhd	1	PR:098,9VL
1	9P3 971 687 L	Wire set Assembly frame Passenger's door	lhd	1	PR:098,9VJ
1	9P3 971 030 AC	Wire set Assembly frame Driver's door	rhd	1	PR:099,250, 9VK
1	9P4 971 030 AC	No longer use the part here Wire set Assembly frame Driver's door	rhd	1	PR:099,250, 9VK
1	9P3 971 030 AD	Wire set Assembly frame Driver's door	rhd	1	PR:099,250, 9VL
1	9P4 971 030 AD	No longer use the part here Wire set Assembly frame Driver's door	rhd	1	PR:099,250, 9VL
1	9P3 971 030 AE	Wire set Assembly frame Driver's door	rhd	1	PR:099,250, 9VJ
1	9P4 971 030 AE	No longer use the part here Wire set Assembly frame Driver's door	rhd	1	PR:099,250, 9VJ
1	9P3 971 030 Q	Wire set Assembly frame Driver's door	rhd	1	PR:099,487, 9VK
1	9P4 971 030 Q	No longer use the part here Wire set Assembly frame Driver's door	rhd	1	PR:099,487, 9VK
1	9P3 971 030 R	Wire set Assembly frame	rhd	1	PR:099,487, 9VL

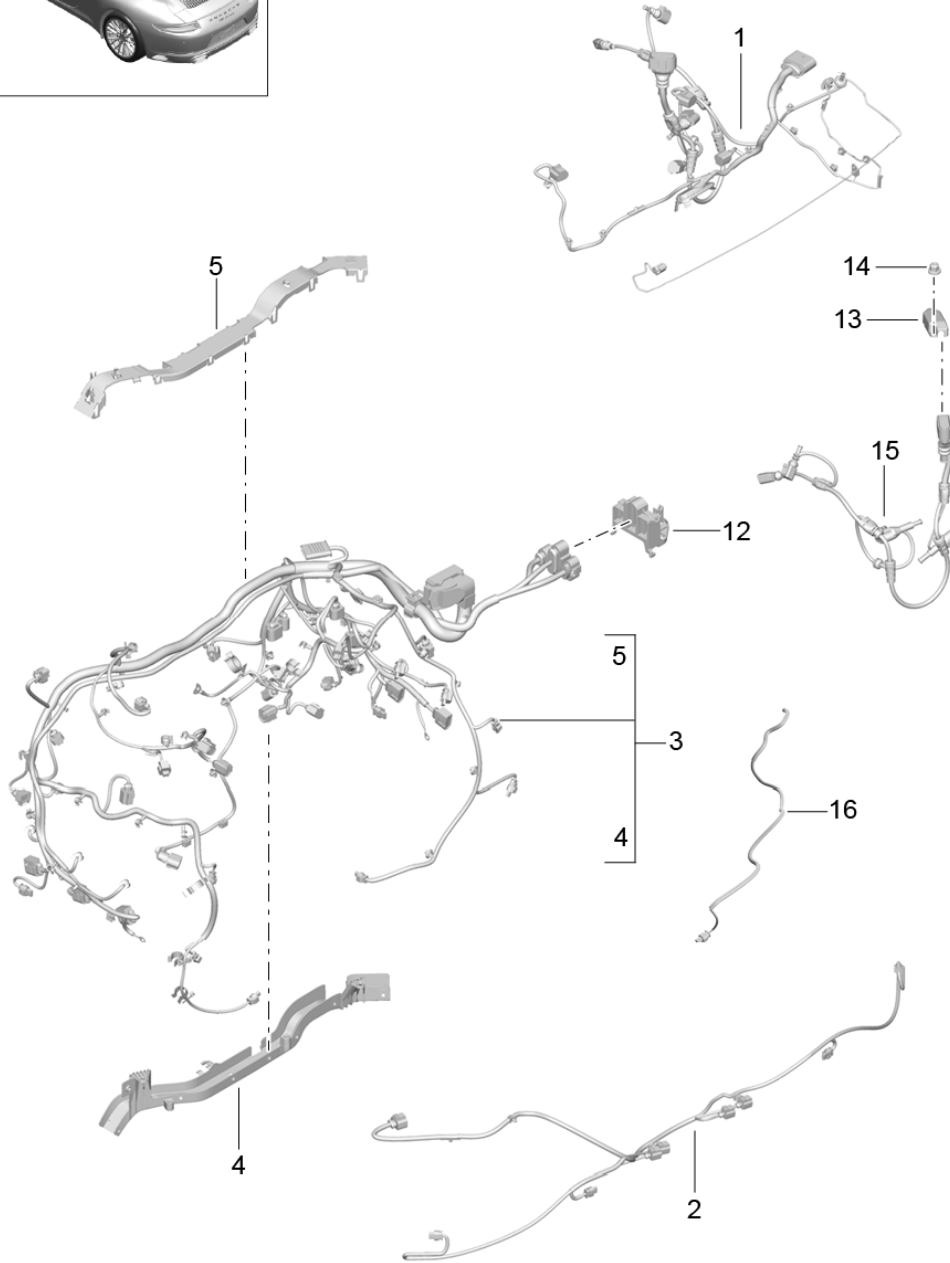
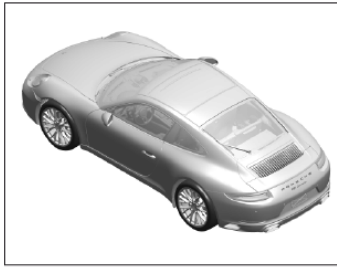
Model: 991-16

Model life 2017&gt;&gt;

Pos	Part Number	Description	Remark	Qty	Model
1	9P4 971 030 R	Driver's door No longer use the part here Wire set Assembly frame	rhd	1	PR:099,487, 9VL
1	9P3 971 030 S	Driver's door Wire set Assembly frame	rhd	1	PR:099,487, 9VJ
1	9P4 971 030 S	Driver's door No longer use the part here Wire set Assembly frame	rhd	1	PR:099,487, 9VJ
1	9P3 971 688 J	Driver's door Wire set Assembly frame	rhd	1	PR:099,9VK
1	9P4 971 688 J	Passenger's door No longer use the part here Wire set Assembly frame	rhd	1	PR:099,9VK
1	9P3 971 688 K	Passenger's door Wire set Assembly frame	rhd	1	PR:099,9VL
1	9P4 971 688 K	Passenger's door No longer use the part here Wire set Assembly frame	rhd	1	PR:099,9VL
1	9P3 971 688 L	Passenger's door Wire set Assembly frame	rhd	1	PR:099,9VJ
1	9P4 971 688 L	Passenger's door No longer use the part here Wire set Assembly frame	rhd	1	PR:099,9VJ
2	9P1 971 035 G	Passenger's door Wire set door panel		1	
(2)	9P1 971 036 C	Driver's door Wire set door panel		1	
3	4H0 959 793 AC	Passenger's door Door control unit (drivers side)	front	1	
(3)	4H0 959 792 S	Driver's door Door control unit		1	
4	7PP 959 795 AG	Passenger's door Control unit for window regulator	rear	2	CABRIO
5	991 618 511 01	Bracket Control unit	rear	2	CABRIO
6	N 911 266 01	Window regulator Oval hexagon socket head bolt M 6 X 16		2	CABRIO
7	9P1 971 641 C	Wire set Centre console		1	PR:-NZ3
(7)	9P1 971 641 E	Wire set Centre console		1	PR:NZ3
8	991 612 701 00	Wire set Glove box		1	
-		Wire set Convertible top control see illustration:	811-025	1	CABRIO

Model: 991-16

Model life 2017>>



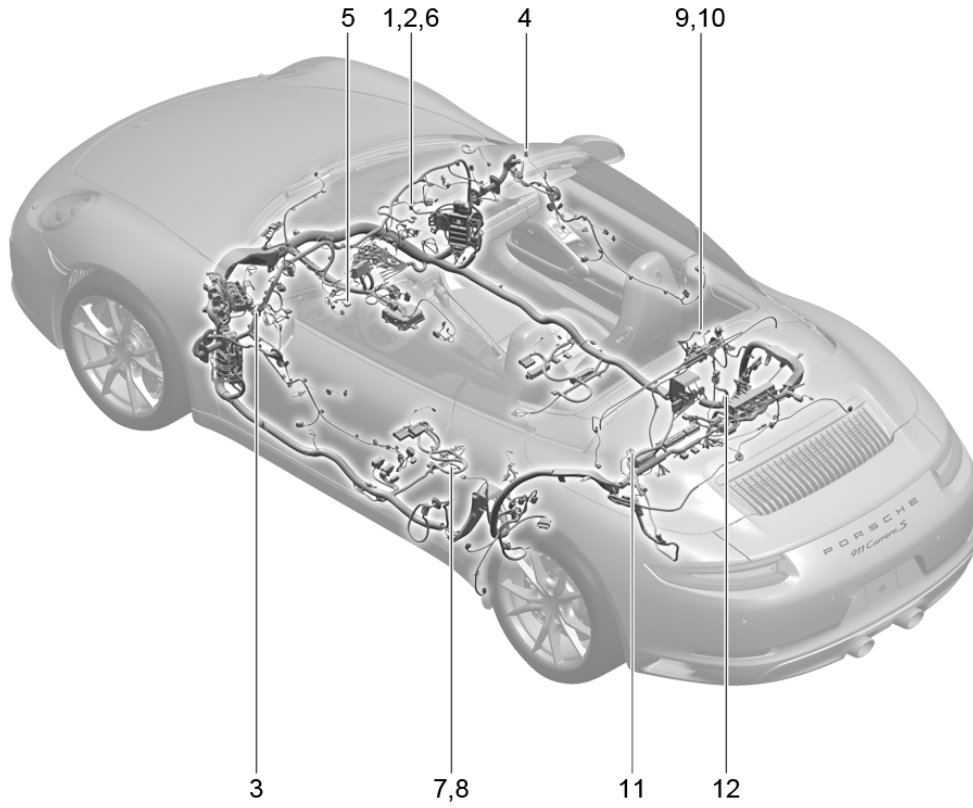
Model: 991-16

Model life 2017>>

Pos	Part Number	Description	Remark	Qty	Model
		Wiring looms	rear		
		Assembly frame			
		Additional brake light			
		Trim			
		Engine			
		Rear axle			
1	9P1 974 224 D	Wire set		1	COUPE
		Rear spoiler			
1	9P1 974 224 E	Wire set		1	CABRIO
		Rear spoiler			
2	9P1 971 174 A	Wire set	rear	1	CARRERA 2/2S
		Trim			PR:635,636
(2)	9P1 971 174 C	Wire set	rear	1	CARRERA 4/4S
		Trim			PR:635,636
(2)	9P1 971 174 D	Wire set	rear	1	CARRERA 2/2S
		Trim			PR:638
(2)	9P1 971 174 E	Wire set	rear	1	CARRERA 4/4S
		Trim			PR:638
3	9A2 607 010 22	Wire set		1	DCKA,DCK
		Engine			
(3)	9A2 607 010 22	Wire set		1	DCHA,DCH,
		Engine			DCJA,DCJ+
					PR:030,475,
					477
(3)	9A2 607 010 42	Wire set		1	DCHA,DCH,
		Engine			DCJA,DCJ+
					PR:031,352
4	9A2 607 115 01	Cable guide		1	
		Crankcase housing			
5	9A2 607 125 01	Cover		1	
		Cable guide			
12	9P1 907 179	Bracket		1	
		Connection point			
		Wire set			
		Engine			
13	991 610 135 00	Cover		2	
		Connection point			
		Wire set			
		Rear axle			
14	999 049 033 40	Plastic nut		4	
		T 6			
15	991 609 143 00	Wire set		2	
		Rear axle			
16	9P3 974 280	Wire set		1	/RL
		Sport			PR:098
		exhaust system			
(16)	9P4 974 280	Wire set		1	/LL
		Sport			PR:099
		exhaust system			
-		Wire set			
		Front axle			
		see illustration:	902-010		

Model: 991-16

Model life 2017>>



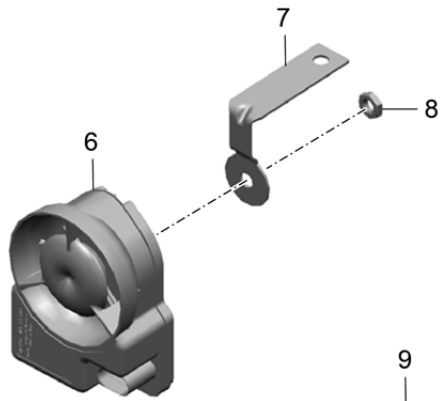
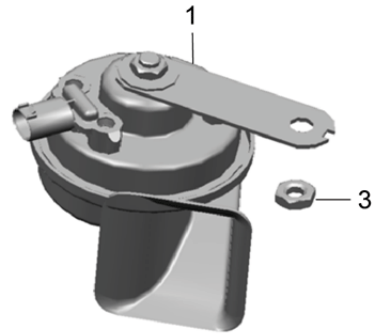
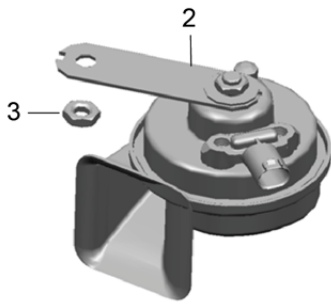
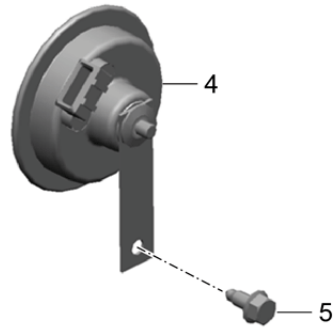
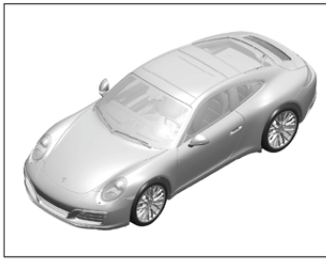
Model: 991-16

Model life 2017&gt;&gt;

Pos	Part Number	Description	Remark	Qty	Model
1	991 612 082 00	Wiring looms Airbag Seat belt Wire set Airbag unit (passenger side) Setting 1 To Connection point dashboard Connector Light green		1	
2	991 612 083 00	Wire set Airbag unit (passenger side) Setting2 To Connection point dashboard Connector yellow		1	
3	991 612 090 00	Wire set Airbag unit Driver's door To Connection point Door		1	
4	991 612 091 00	Wire set Airbag unit Passenger's door To Connection point Door		1	
7	991 612 084 01	Wire set Seat belt tensioner (drivers side) To Control unit Airbag Connector yellow		1	
9	991 612 085 51	Wire set Seat belt tensioner (passenger side) To Control unit Airbag Connector yellow		1	
11	991 612 094 00	Wire set roll bar To Control unit Airbag	left	1	CABRIO
12	991 612 095 00	Wire set roll bar To Control unit Airbag	right	1	CABRIO

Model: 991-16

Model life 2017>>





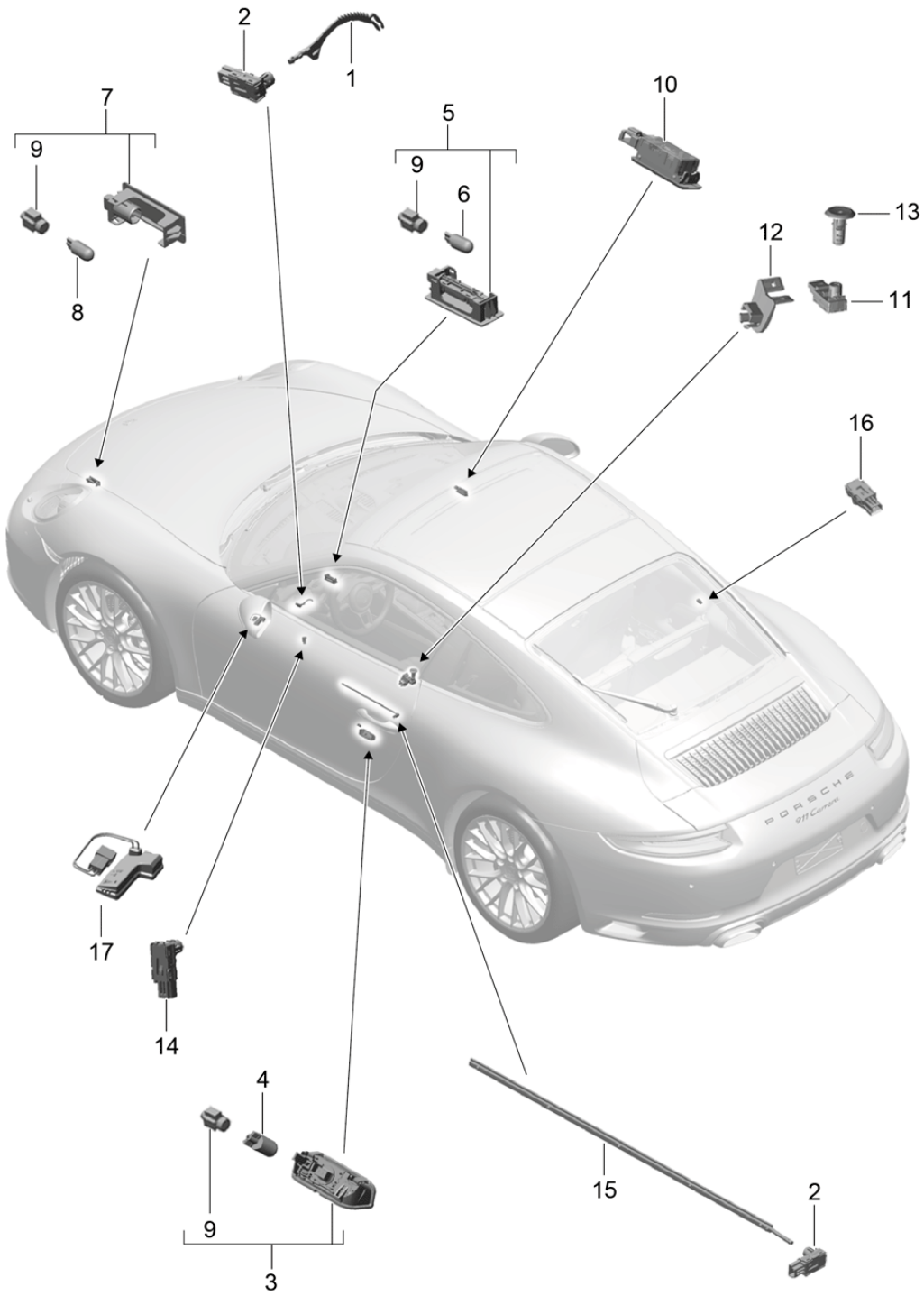
Model: 991-16

Model life 2017>>

Pos	Part Number	Description	Remark	Qty	Model
1	991 635 159 01	Fanfare Signal horn alarm system Fanfare High-pitched		1	
2	991 635 160 01	Fanfare Low-pitched	with:	1	
3	N 106 092 04	Hexagon collar nut M 8	with:	2	
4	9P1 951 101	Signal horn for alarm system		1	PR:534,IY0
		use if required: D >> - MJ 2017	9P1 998 003 A		
(4)	9P1 951 101	Signal horn for alarm system D - MJ 2017>>		1	PR:534
5	900 378 176 01	Hexagon bolt M 8 X 20		1	PR:534
6	1K8 951 605 B	Alarm horn		1	PR:536
7	991 637 419 01	Bracket		1	PR:536
8	N 902 955 02	Hexagon collar nut M 8		1	PR:536
9	9P1 998 003 A	Wire set Modification kit Signal horn D >> - MJ 2017		1	PR:534,IY0

Model: 991-16

Model life 2017>>



Model: 991-16 Model life 2017>>

Pos	Part Number	Description	Remark	Qty	Model
-		Interior lights Door warning light Footwell light Luggage compartment lamp Glove box light Light Exterior mirror interior light			
		see illustration:	903-006		
1	991 632 131 00	fibre optic conductor	lhd	1	PR:098
(1)	991 632 132 00	Ignition/starter switch fibre optic conductor	rhhd	1	PR:099
2	7PP 947 101	Ignition/starter switch Light		4	
3	970 632 135 01	Centre console Door warning light		2	
4	999 631 032 90	bulb		2	
		5 W			
5	991 632 024 00	Footwell light		2	PR:-630
(5)	991 632 133 00	Footwell light		2	PR:630
		Included LED module			
6	999 631 040 90	bulb		2	PR:-630
		5 W			
7	991 632 020 00	Light		1	PR:-630
(7)	991 632 137 00	Luggage compartment Light		1	PR:630
		Included LED module			
8	999 631 134 90	Luggage compartment bulb		1	PR:-630
		X6 W			
9	970 632 187 00	Bulb holder		5	PR:-630
10	991 632 071 00	Glove box light		1	
11	991 616 115 00	warning lamp		2	PR:625
		Immobiliser Door			
12	991 616 119 00	Bracket		2	PR:625
13	991 616 117 00	Sleeve		2	PR:625
	991 616 117 00 1E0	Black			
	991 616 117 00 6L0	Platinum Grey			
	991 616 117 00 4H0	Luxor beige			
	991 616 117 00 2F0	yachting blue			
	991 616 117 00 OP1	agate grey			
	991 616 117 00 7N0	Espresso			
	991 616 117 00 OW5	Carrera Red			
14	991 632 085 00	Door handle light	left	1	PR:630
(14)	991 632 086 00	Door handle light	right	1	PR:630
15	991 632 189 00	fibre optic conductor	left	1	PR:630
		Stowage compartment			
(15)	991 632 190 00	fibre optic conductor	right	1	PR:630
		Stowage compartment			
16	991 632 075 00	Light		2	PR:630
		Luggage tray			
17	991 631 611 01	Light	left	1	PR:258,259, 260,261
		Exterior mirror			
(17)	991 631 612 01	Light	right	1	PR:258,259, 260,261
		Exterior mirror			
18	9P1 953 039 D	Warning display for lane change assist	left	1	PR:457
		D >> - MJ 2016			
(18)	9P1 953 040 D	Warning display for	right	1	PR:457

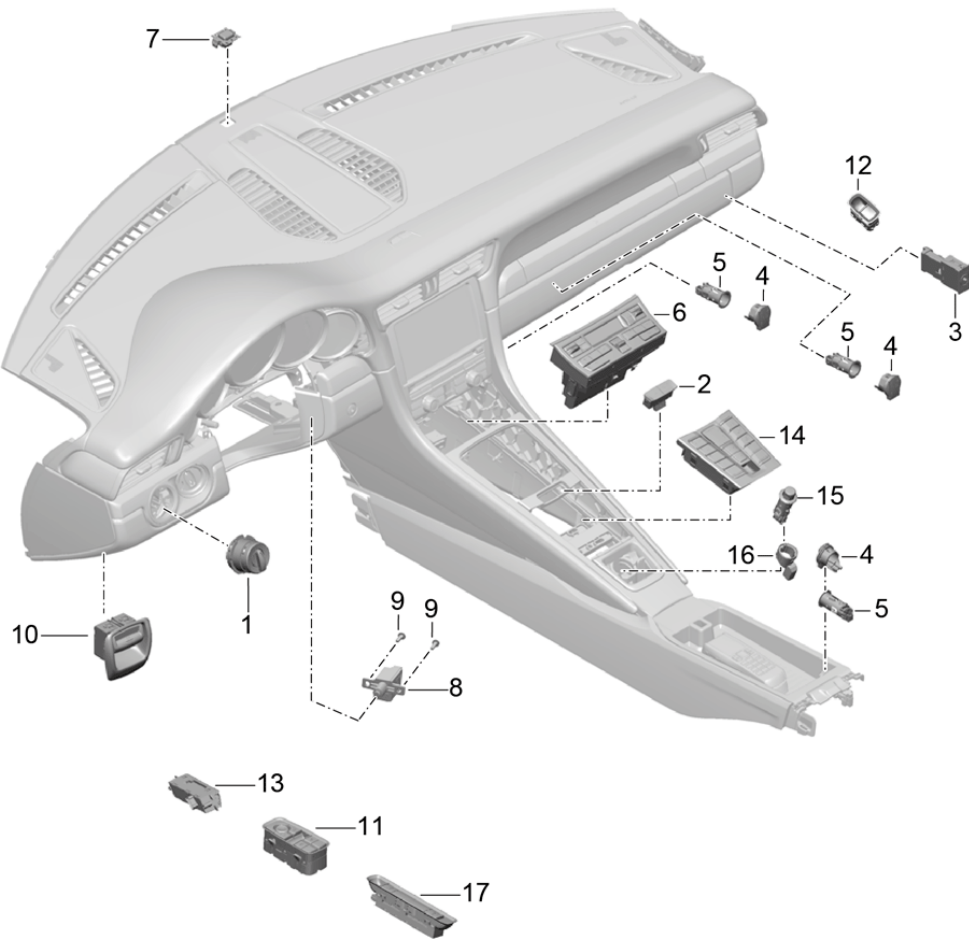
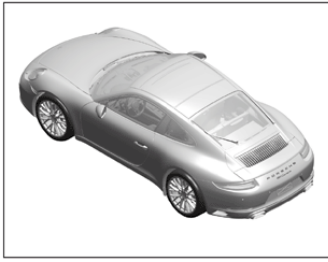
Model: 991-16

Model life 2017>>

Pos	Part Number	Description	Remark	Qty	Model
(18)	9P1 953 039 E	lane change assist D >> - MJ 2016 Warning display for lane change assist	left	1	PR:457
(18)	9P1 953 040 E	D - MJ 2017>> Warning display for lane change assist D - MJ 2017>>	right	1	PR:457

Model: 991-16

Model life 2017>>



Model: 991-16 Model life 2017>>

Pos	Part Number	Description	Remark	Qty	Model
1	970 613 533 08	Switch Control panel		1	
	970 613 533 08 DML	Air conditioning switch for lighting			
2	991 613 332 01	Matt Black/hi-gloss chrome Combined switch		1	
		Hazard warning light sw. Central locking system			
3	991 613 332 01 A05	Matt black		1	
	958 613 165 00	Switch			
4	997 652 104 00	Airbag clamping ring		3	
		with:			
5	970 652 105 00	Cover		3	
6	9P1 907 039 F	Socket		1	PR:573,-342,-541
	9P1 907 039 F DML	Control panel			
(6)	9P1 907 039 G	Air conditioning Matt Black/hi-gloss chrome Control panel		1	PR:573,342,-541
	9P1 907 039 G DML	Air conditioning			
(6)	9P1 907 039 H	Matt Black/hi-gloss chrome Control panel		1	PR:573,342,541
	9P1 907 039 H DML	Air conditioning			
7	991 653 243 00	Matt Black/hi-gloss chrome Sun sensor		1	PR:573
8	991 653 241 02	Air conditioning Temperature sensor	inner	1	PR:573
9	999 919 167 09	fillister hd. bolt 3,0 X 10,0		2	PR:573
10	991 613 251 00	Switch		1	
	991 613 251 00 1E0	Electric parking brake Black			
11	991 613 151 02	Switch for electric window regulator		1	COUPE TARGA PR:254,255,256,257
	991 613 151 02 DML	Exterior mirror (drivers side) Matt Black/hi-gloss chrome			
(11)	991 613 153 02	Switch for electric window regulator		1	CABRIO PR:254,255,256,257
	991 613 153 02 DML	Exterior mirror (drivers side) Matt Black/hi-gloss chrome			
(11)	991 613 155 02	Switch for electric window regulator		1	COUPE TARGA PR:258,259,260,261
	991 613 155 02 DML	Exterior mirror (drivers side) Matt Black/hi-gloss chrome			
(11)	991 613 157 02	Switch for electric window regulator		1	CABRIO PR:258,259,260,261
	991 613 157 02 DML	Exterior mirror (drivers side) Matt Black/hi-gloss chrome			
12	7PP 959 855 E	Switch for electric window regulator (passenger side)		1	
	7PP 959 855 E DML	Matt Black/hi-gloss chrome			
13	970 613 103 51	Memory switch		1	PR:537
	970 613 103 51 DML	Matt Black/hi-gloss chrome			
(13)	970 613 104 51	Memory switch		1	PR:538

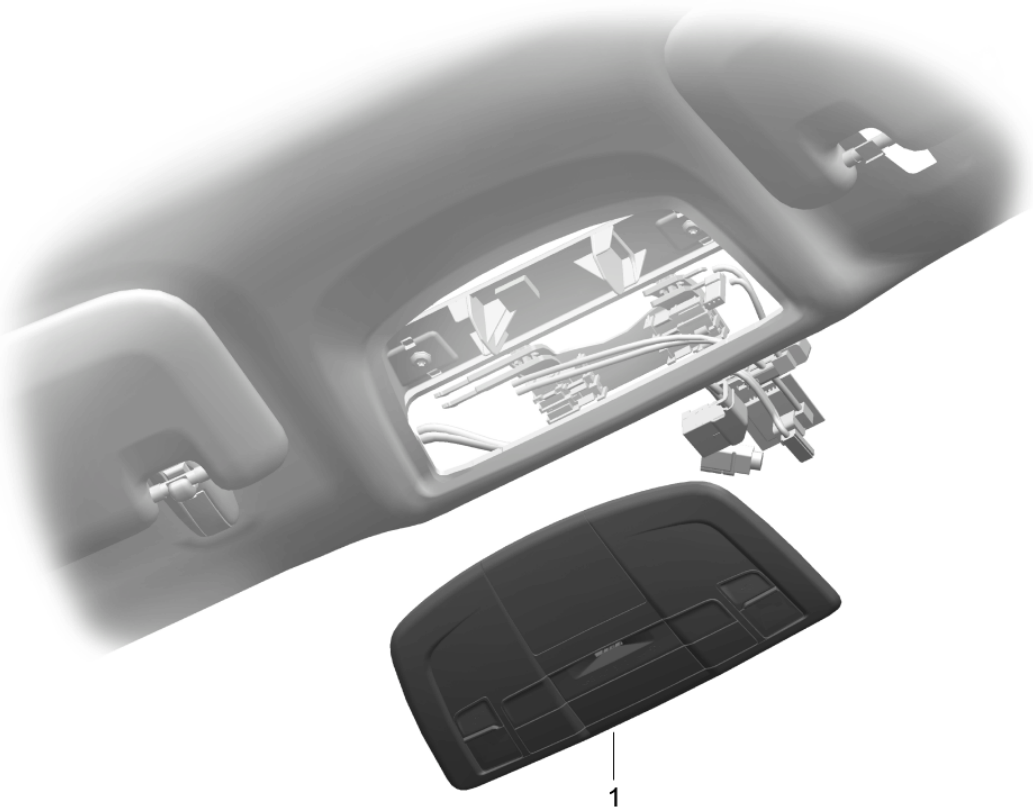
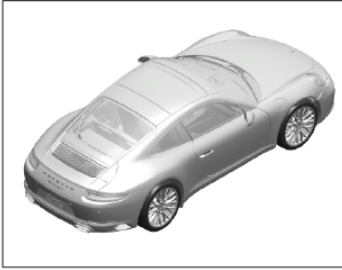
Model: 991-16

Model life 2017>>

Pos	Part Number	Description	Remark	Qty	Model
14	970 613 104 51 DML 991 613 955 50	Matt Black/hi-gloss chrome Combined switch Centre console repair set		1	COUPE PR:652
(14)	991 613 955 50 DML 991 613 957 50	Matt Black/hi-gloss chrome Combined switch Centre console repair set		1	COUPE PR:653
(14)	991 613 957 50 DML 991 613 959 50	Matt Black/hi-gloss chrome Combined switch Centre console repair set		1	COUPE PR:651
(14)	991 613 959 50 DML 991 613 967 50	Matt Black/hi-gloss chrome Combined switch Centre console repair set		1	CABRIO
(14)	991 613 967 50 DML 991 613 963 50	Matt Black/hi-gloss chrome Combined switch Centre console repair set		1	TARGA
15	991 613 963 50 DML 970 652 101 00	Matt Black/hi-gloss chrome Cigarette lighter		1	PR:583
16	970 652 101 00 A05 7PP 919 341	Matt black Spring pin Headlight unit		1	PR:583
17	991 613 105 01 991 613 105 01 A05	Switch Cover Matt black	front and rear	1	

Model: 991-16

Model life 2017>>





Model: 991-16 Model life 2017>>

Pos	Part Number	Description	Remark	Qty	Model
1	991 613 122 10	Console Roof Coupe Roof console		1	PR:-560, -607,-608, -630,-636, -638,-899
(1)	991 613 122 10 1E0 991 613 123 10	Black Roof console		1	PR:560,-607, -630,-636, -638
(1)	991 613 123 10 1E0 991 613 123 10	Black Roof console		1	PR:899,-607, -608,-630, -636,-638
(1)	991 613 123 10 1E0 991 613 124 10	Black Roof console		1	PR:560,607, -630,-636, -638
(1)	991 613 124 10 1E0 991 613 124 10	Black Roof console		1	PR:607,608, 899,-630, -636,-638
(1)	991 613 124 10 1E0 991 613 125 10	Black Roof console		1	PR:607,-560, -630,-636, -638,-899
(1)	991 613 125 10 1E0 991 613 125 10	Black Roof console		1	PR:608,-630, -636,-638, -899
(1)	991 613 125 10 1E0 991 613 133 10	Black Roof console		1	PR:636,638, -560,-607, -608,-630, -899
(1)	991 613 133 10 1E0 991 613 134 10	Black Roof console		1	PR:560,636, 638,-607, -630
(1)	991 613 134 10 1E0 991 613 134 10	Black Roof console		1	PR:636,638, 899,-607, -608,-630
(1)	991 613 134 10 1E0 991 613 135 10	Black Roof console		1	PR:560,607, 636,638,-630
(1)	991 613 135 10 1E0 991 613 135 10	Black Roof console		1	PR:607,608, 636,638,899, -630
(1)	991 613 135 10 1E0 991 613 136 10	Black Roof console		1	PR:607,636, 638,-560, -630,-899
(1)	991 613 136 10 1E0 991 613 136 10	Black Roof console		1	PR:608,636, 638,-630, -899
(1)	991 613 136 10 1E0 991 613 222 10	Black Roof console		1	PR:-560, -607,-608, 630,-636,

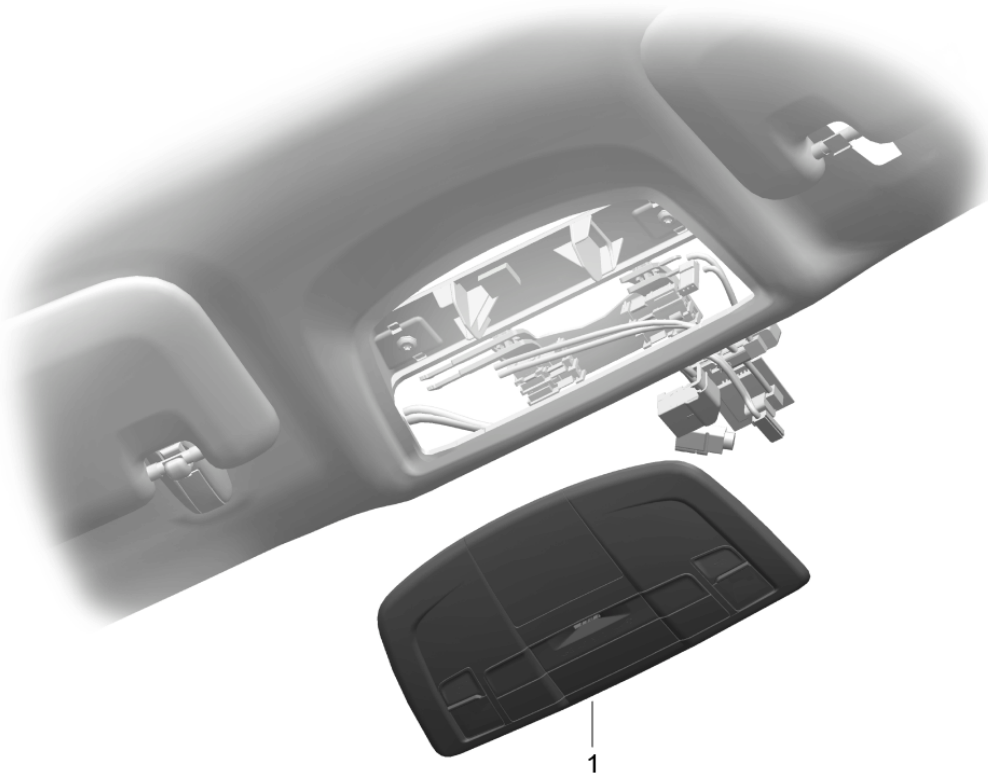
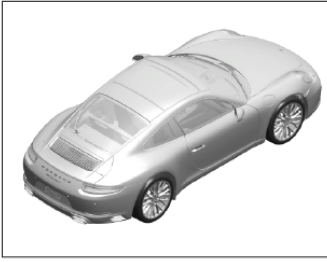
Model: 991-16

Model life 2017>>

Pos	Part Number	Description	Remark	Qty	Model
					-638,-899
(1)	991 613 222 10 1E0 991 613 223 10	Black Roof console		1	PR:560,-607, 630,-636, -638
(1)	991 613 223 10 1E0 991 613 223 10	Black Roof console		1	PR:899,-607, -608,630, -636,-638
(1)	991 613 223 10 1E0 991 613 224 10	Black Roof console		1	PR:560,607, 630,-636, -638
(1)	991 613 224 10 1E0 991 613 224 10	Black Roof console		1	PR:607,608, 899,630, -636,-638
(1)	991 613 224 10 1E0 991 613 225 10	Black Roof console		1	PR:607,-560, 630,-636, -638,-899
(1)	991 613 225 10 1E0 991 613 225 10	Black Roof console		1	PR:608,630, -636,-638, -899
(1)	991 613 225 10 1E0 991 613 233 10	Black Roof console		1	PR:636,638, -560,-607, -608,630, -899
(1)	991 613 233 10 1E0 991 613 234 10	Black Roof console		1	PR:560,636, 638,-607,630
(1)	991 613 234 10 1E0 991 613 234 10	Black Roof console		1	PR:636,638, 899,-607, -608,630
(1)	991 613 234 10 1E0 991 613 235 10	Black Roof console		1	PR:560,607, 636,638,630
(1)	991 613 235 10 1E0 991 613 235 10	Black Roof console		1	PR:607,608, 636,638,899, 630
(1)	991 613 235 10 1E0 991 613 236 10	Black Roof console		1	PR:607,636, 638,-560, 630,-899
(1)	991 613 236 10 1E0 991 613 236 10	Black Roof console		1	PR:608,636, 638,630,-899
	991 613 236 10 1E0	Black			

Model: 991-16

Model life 2017>>



Model: 991-16 Model life 2017>>

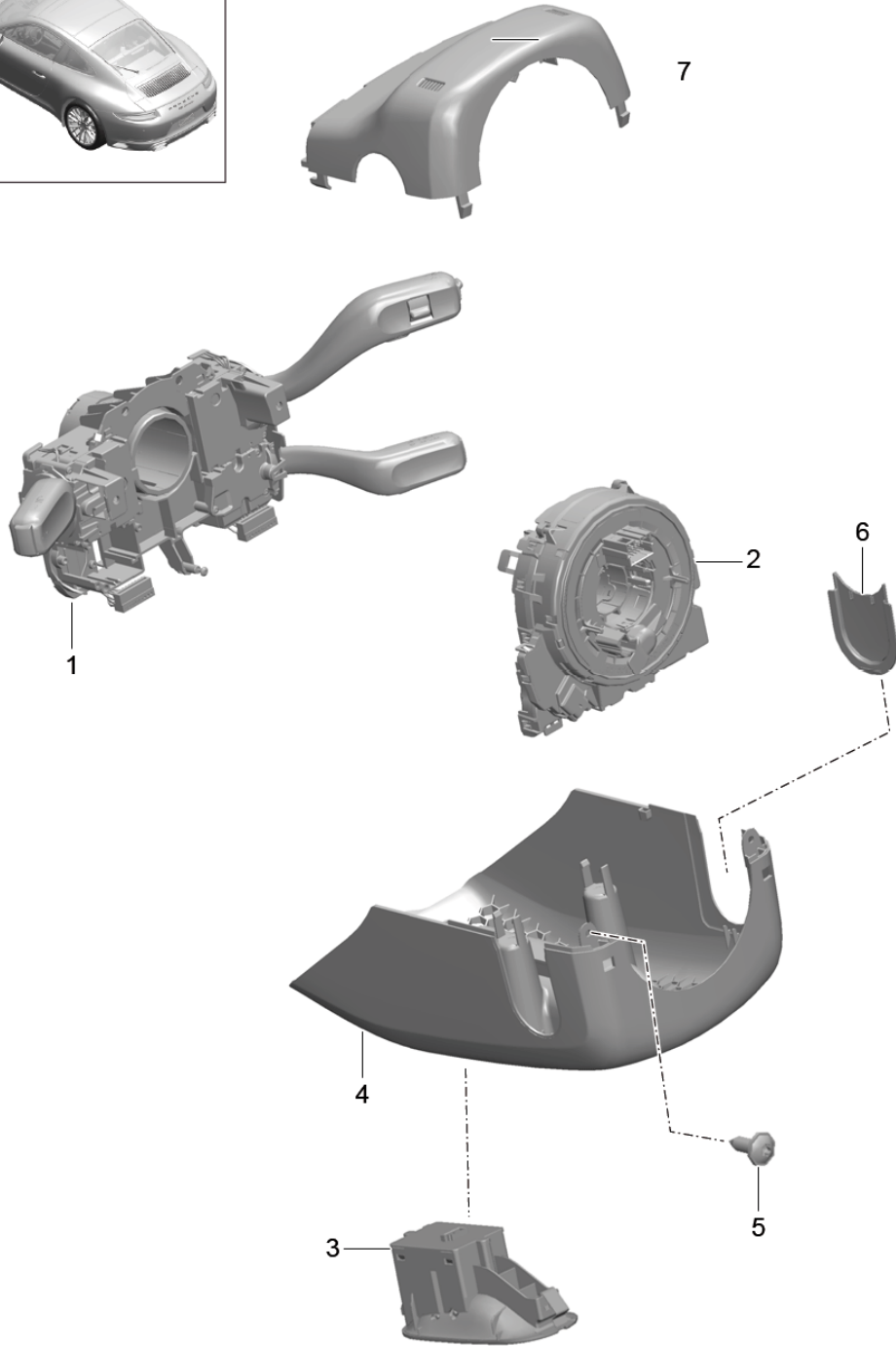
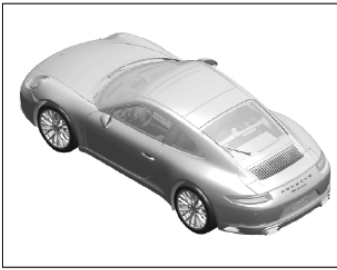
Pos	Part Number	Description	Remark	Qty	Model
1	991 613 422 10	Console Roof Cabriolet Targa Roof console		1	PR:-560, -607,-608, -630,-636, -638,-899
(1)	991 613 422 10 1E0 991 613 423 10	Black Roof console		1	PR:560,-607, -630,-636, -638
(1)	991 613 423 10 1E0 991 613 423 10	Black Roof console		1	PR:899,-607, -608,-630, -636,-638
(1)	991 613 423 10 1E0 991 613 424 10	Black Roof console		1	PR:560,607, -630,-636, -638
(1)	991 613 424 10 1E0 991 613 424 10	Black Roof console		1	PR:607,608, 899,-630, -636,-638
(1)	991 613 424 10 1E0 991 613 425 10	Black Roof console		1	PR:607,-560, -630,-636, -638,-899
(1)	991 613 425 10 1E0 991 613 425 10	Black Roof console		1	PR:608,-630, -636,-638, -899
(1)	991 613 425 10 1E0 991 613 433 10	Black Roof console		1	PR:636,638, -560,-607, -608,-630, -899
(1)	991 613 433 10 1E0 991 613 434 10	Black Roof console		1	PR:560,636, 638,-607, -630
(1)	991 613 434 10 1E0 991 613 434 10	Black Roof console		1	PR:636,638, 899,-607, -608,-630
(1)	991 613 434 10 1E0 991 613 435 10	Black Roof console		1	PR:560,607, 636,638,-630
(1)	991 613 435 10 1E0 991 613 435 10	Black Roof console		1	PR:607,608, 636,638,899, -630
(1)	991 613 435 10 1E0 991 613 436 10	Black Roof console		1	PR:607,636, 638,-560, -630,-899
(1)	991 613 436 10 1E0 991 613 436 10	Black Roof console		1	PR:608,636, 638,-630, -899
(1)	991 613 436 10 1E0 991 613 622 10	Black Roof console		1	PR:-560, -607,-608,

Model: 991-16 Model life 2017>>

Pos	Part Number	Description	Remark	Qty	Model
					630,-636, -638,-899
(1)	991 613 622 10 1E0 991 613 623 10	Black Roof console		1	PR:560,-607, 630,-636, -638
(1)	991 613 623 10 1E0 991 613 623 10	Black Roof console		1	PR:899,-607, -608,630, -636,-638
(1)	991 613 623 10 1E0 991 613 624 10	Black Roof console		1	PR:560,607, 630,-636, -638
(1)	991 613 624 10 1E0 991 613 624 10	Black Roof console		1	PR:607,608, 899,630, -636,-638
(1)	991 613 624 10 1E0 991 613 625 10	Black Roof console		1	PR:607,-560, 630,-636, -638,-899
(1)	991 613 625 10 1E0 991 613 625 10	Black Roof console		1	PR:608,630, -636,-638, -899
(1)	991 613 625 10 1E0 991 613 633 10	Black Roof console		1	PR:636,638, -560,-607, -608,630, -899
(1)	991 613 633 10 1E0 991 613 634 10	Black Roof console		1	PR:560,636, 638,-607,630
(1)	991 613 634 10 1E0 991 613 634 10	Black Roof console		1	PR:636,638, 899,-607, -608,630
(1)	991 613 634 10 1E0 991 613 635 10	Black Roof console		1	PR:560,607, 636,638,630
(1)	991 613 635 10 1E0 991 613 635 10	Black Roof console		1	PR:607,608, 636,638,899, 630
(1)	991 613 635 10 1E0 991 613 636 10	Black Roof console		1	PR:607,636, 638,-560, 630,-899
(1)	991 613 636 10 1E0 991 613 636 10	Black Roof console		1	PR:608,636, 638,630,-899
	991 613 636 10 1E0	Black			

Model: 991-16

Model life 2017>>



Model: 991-16 Model life 2017>>

Pos	Part Number	Description	Remark	Qty	Model
1	970 613 051 50	Steering column switch Steering column switch		1	PR:288,-425, 454,-489
(1)	970 613 051 50 1E0 991 613 051 50	Black Steering column switch		1	PR:288,-425, -454,-456, -489
(1)	991 613 051 50 1E0 991 613 053 50	Black Steering column switch		1	PR:288,-425, 489,-454, -456
(1)	991 613 053 50 1E0 970 613 053 50	Black Steering column switch		1	PR:288,-425, 454,489
(1)	970 613 053 50 1E0 970 613 055 50	Black Steering column switch		1	PR:288,-425, 456,-489
(1)	970 613 055 50 1E0 970 613 057 50	Black Steering column switch		1	PR:288,-425, 456,489
(1)	970 613 057 50 1E0 991 613 067 50	Black Steering column switch		1	PR:288,425, -454,-456, -489
(1)	991 613 067 50 1E0 970 613 067 50	Black Steering column switch		1	PR:288,425, 454,-489
(1)	970 613 067 50 1E0 991 613 069 50	Black Steering column switch		1	PR:288,425, 489,-454, -456
(1)	991 613 069 50 1E0 970 613 069 50	Black Steering column switch		1	PR:288,425, 454,489
(1)	970 613 069 50 1E0 970 613 071 50	Black Steering column switch		1	PR:288,425, 456,-489
(1)	970 613 071 50 1E0 970 613 073 50	Black Steering column switch		1	PR:288,425, 456,489
(1)	970 613 073 50 1E0 991 613 019 50	Black Steering column switch		1	PR:-425, -288,-454, -456,-489
(1)	991 613 019 50 1E0 970 613 019 50	Black Steering column switch		1	PR:-425,454, -288,-489
(1)	970 613 019 50 1E0 991 613 021 50	Black Steering column switch		1	PR:-425,489, -288,-454, -456
(1)	991 613 021 50 1E0 970 613 021 50	Black Steering column switch		1	PR:-425,454, 489,-288
(1)	970 613 021 50 1E0 970 613 023 50	Black Steering column switch		1	PR:-425,456, -288,-489
(1)	970 613 023 50 1E0 970 613 025 50	Black Steering column switch		1	PR:-425,456, 489,-288
(1)	970 613 025 50 1E0 991 613 035 50	Black Steering column switch		1	PR:425,-288, -454,-456,

Model: 991-16

Model life 2017>>

Pos	Part Number	Description	Remark	Qty	Model
					-489
(1)	991 613 035 50 1E0 970 613 035 50	Black Steering column switch		1	PR:425,454, -288,-489
(1)	970 613 035 50 1E0 991 613 037 50	Black Steering column switch		1	PR:425,489, -288,-456
(1)	991 613 037 50 1E0 970 613 037 50	Black Steering column switch		1	PR:425,454, 489,-288
(1)	970 613 037 50 1E0 970 613 039 50	Black Steering column switch		1	PR:425,456, -288,-489
(1)	970 613 039 50 1E0 970 613 041 50	Black Steering column switch		1	PR:425,456, 489,-288
2	970 613 041 50 1E0 9A7 953 568 00	Black Control unit Steering column switch		1	PR:-489
		with:			
(2)	9A7 953 568 10	Spring steering sensor Control unit Steering column switch		1	PR:489
		with:			
3	7PP 953 519 E	Spring steering sensor Switch for steering column adjustment		1	PR:648,656
4	7PP 953 519 E IVI 991 552 475 00	Matt black Switch housing	lower	1	PR:647,655, -XNS
4	991 552 475 00 1E0 991 552 983 00	Black Switch housing	lower	1	PR:XNS,454, 456,647,655
		Leather			
	991 552 983 00 A11	Black			
	991 552 983 00 9B0	Platinum Grey			
	991 552 983 00 7J0	Luxor beige			
	991 552 983 00 6A0	yachting blue			
	991 552 983 00 OA1	agate grey			
	991 552 983 00 6J0	Espresso			
	991 552 983 00 N12	Carrera Red			
	991 552 983 00 DE1	Umber			
(4)	991 552 983 02	Switch housing	lower	1	PR:XNS,647, 655,-454, -456
		Leather			
	991 552 983 02 A11	Black			
	991 552 983 02 9B0	Platinum Grey			
	991 552 983 02 7J0	Luxor beige			
	991 552 983 02 6A0	yachting blue			
	991 552 983 02 OA1	agate grey			
	991 552 983 02 6J0	Espresso			
	991 552 983 02 N12	Carrera Red			
	991 552 983 02 DE1	Umber			
(4)	991 552 983 04	Switch housing	lower	1	PR:XNS,XHF, XHL,454,456, 647,655,844
		Leather			
	991 552 983 04 A11	Black			
	991 552 983 04 9B0	Platinum Grey			
	991 552 983 04 7J0	Luxor beige			
	991 552 983 04 6A0	yachting blue			
	991 552 983 04 OA1	agate grey			



Model: 991-16 Model life 2017>>

Pos	Part Number	Description	Remark	Qty	Model
(4)	991 552 983 04 6J0	Espresso	lower	1	PR:XNS,XHF, XHL,-454, -456,647, 655,844
	991 552 983 04 N12	Carrera Red			
	991 552 983 04 DE1	Umber			
	991 552 983 06	Switch housing			
		Leather			
	991 552 983 06 A11	Black			
	991 552 983 06 9B0	Platinum Grey			
	991 552 983 06 7J0	Luxor beige			
	991 552 983 06 6A0	yachting blue			
	991 552 983 06 OA1	agate grey			
(4)	991 552 983 06 6J0	Espresso	lower	1	PR:648,656, -XNS
	991 552 983 06 N12	Carrera Red			
	991 552 983 06 DE1	Umber			
	991 552 475 01	Switch housing			
		Leather			
	991 552 983 06 A11	Black			
	991 552 983 06 9B0	Platinum Grey			
	991 552 983 06 7J0	Luxor beige			
	991 552 983 06 6A0	yachting blue			
	991 552 983 06 OA1	agate grey			
(4)	991 552 983 01 1E0	Black	lower	1	PR:XNS,648, 656,454,456, XLK
	991 552 983 01	Switch housing			
		Leather			
	991 552 983 01 A11	Black			
	991 552 983 01 9B0	Platinum Grey			
	991 552 983 01 7J0	Luxor beige			
	991 552 983 01 6A0	yachting blue			
	991 552 983 01 OA1	agate grey			
	991 552 983 01 6J0	Espresso			
	991 552 983 01 N12	Carrera Red			
(4)	991 552 983 01 DE1	Umber	lower	1	PR:XVA,648, 656,454,456, XLK
	991 552 983 01	Switch housing			
		Leather			
	991 552 983 01 A11	Black			
	991 552 983 01 9B0	Platinum Grey			
	991 552 983 01 7J0	Luxor beige			
	991 552 983 01 6A0	yachting blue			
	991 552 983 01 OA1	agate grey			
	991 552 983 01 6J0	Espresso			
	991 552 983 01 N12	Carrera Red			
(4)	991 552 983 01 DE1	Umber	lower	1	PR:XNS,648, 656,-454, -456,XLK
	991 552 983 03	Switch housing			
		Leather			
	991 552 983 03 A11	Black			
	991 552 983 03 9B0	Platinum Grey			
	991 552 983 03 7J0	Luxor beige			
	991 552 983 03 6A0	yachting blue			
	991 552 983 03 OA1	agate grey			
	991 552 983 03 6J0	Espresso			
	991 552 983 03 N12	Carrera Red			
(4)	991 552 983 03 DE1	Umber	lower	1	PR:XVA,648, 656,-454, -456,XLK
	991 552 983 03	Switch housing			
		Leather			
	991 552 983 03 A11	Black			
	991 552 983 03 9B0	Platinum Grey			
	991 552 983 03 7J0	Luxor beige			
	991 552 983 03 6A0	yachting blue			
	991 552 983 03 OA1	agate grey			
	991 552 983 03 6J0	Espresso			
	991 552 983 03 N12	Carrera Red			
(4)	991 552 983 03 DE1	Umber	lower	1	PR:XNS,454,
	991 552 983 05	Switch housing			
		Leather			
	991 552 983 03 A11	Black			
	991 552 983 03 9B0	Platinum Grey			
	991 552 983 03 7J0	Luxor beige			
	991 552 983 03 6A0	yachting blue			
	991 552 983 03 OA1	agate grey			
	991 552 983 03 6J0	Espresso			
	991 552 983 03 N12	Carrera Red			
991 552 983 03 DE1	Umber				
(4)	991 552 983 05	Switch housing	lower	1	PR:XNS,454,

Model: 991-16 Model life 2017>>

Pos	Part Number	Description	Remark	Qty	Model
		Leather			456,489,648, 656
	991 552 983 05 A11	Black			
	991 552 983 05 9B0	Platinum Grey			
	991 552 983 05 7J0	Luxor beige			
	991 552 983 05 6A0	yachting blue			
	991 552 983 05 OA1	agate grey			
		OA1			
	991 552 983 05 6J0	Espresso			
	991 552 983 05 N12	Carrera Red			
	991 552 983 05 DE1	Umber			
(4)	991 552 983 05	Switch housing	lower	1	PR:XVA,454, 456,489,648, 656
		Leather			
	991 552 983 05 A11	Black			
	991 552 983 05 9B0	Platinum Grey			
	991 552 983 05 7J0	Luxor beige			
	991 552 983 05 6A0	yachting blue			
	991 552 983 05 OA1	agate grey			
		OA1			
	991 552 983 05 6J0	Espresso			
	991 552 983 05 N12	Carrera Red			
	991 552 983 05 DE1	Umber			
(4)	991 552 983 07	Switch housing	lower	1	PR:XNS,XHF, XHL,-454, -456,648,656
		Leather			
	991 552 983 07 A11	Black			
	991 552 983 07 9B0	Platinum Grey			
	991 552 983 07 7J0	Luxor beige			
	991 552 983 07 6A0	yachting blue			
	991 552 983 07 OA1	agate grey			
	991 552 983 07 6J0	Espresso			
	991 552 983 07 N12	Carrera Red			
	991 552 983 07 DE1	Umber			
(4)	991 552 983 07	Switch housing	lower	1	PR:XVA,XHF, XHL,-454, -456,648,656
		Leather			
	991 552 983 07 A11	Black			
	991 552 983 07 9B0	Platinum Grey			
	991 552 983 07 7J0	Luxor beige			
	991 552 983 07 6A0	yachting blue			
	991 552 983 07 OA1	agate grey			
	991 552 983 07 6J0	Espresso			
	991 552 983 07 N12	Carrera Red			
	991 552 983 07 DE1	Umber			
5	999 073 155 09	panel screw ST 4,2 X 13		4	
6	991 552 675 00	Cover		1	PR:454,456, -XNS
(6)	991 552 675 00 1E0	Black			
	991 552 675 00	Cover		2	PR:-454, -456,-XNS
7	991 552 675 00 1E0	Black			
	991 552 473 01	Switch housing	upper	1	PR:-XNS
	991 552 473 01 1E0	Black			
7	991 552 984 00	Switch housing	upper	1	PR:XNS
		Leather			
	991 552 984 00 A11	Black			
	991 552 984 00 9B0	Platinum Grey			
	991 552 984 00 7J0	Luxor beige			
	991 552 984 00 6A0	yachting blue			
	991 552 984 00 OA1	agate grey			
	991 552 984 00 6J0	Espresso			

Model: 991-16

Model life 2017>>

Pos	Part Number	Description	Remark	Qty	Model
	991 552 984 00 N12	Carrera Red			



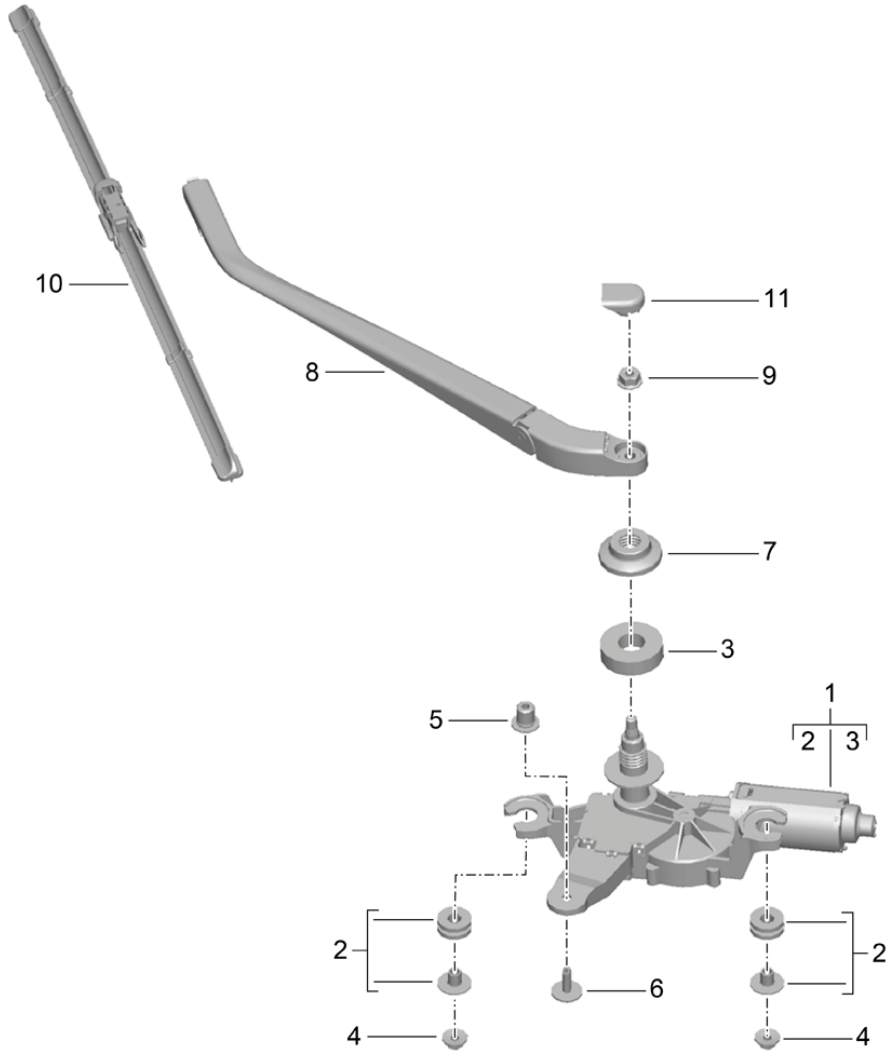
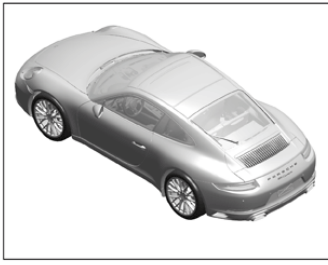
Model: 991-16

Model life 2017>>

Pos	Part Number	Description	Remark	Qty	Model
1	991 628 035 06	Windscreen wiper system, compl Rain sensor Wiper motor	lhd	1	PR:098
		with:			
1	991 628 036 06	Crank drive Wiper motor	rhd	1	PR:099
		with:			
2	900 387 017 02	Crank drive Bolt with washer M 6 X 25 SC		2	
3	999 141 304 01	Bolt with washer M 8 X 60		1	
4	991 628 121 02	Wiper arm (drivers side)	lhd	1	PR:098
(4)	991 628 131 03	Wiper arm (passenger side)	rhd	1	PR:099
5	991 628 122 03	Wiper arm (passenger side)	lhd	1	PR:098
(5)	991 628 132 02	Wiper arm (drivers side)	rhd	1	PR:099
6	991 628 901 00	1 set: wiper blades (drivers side)	front LHD	1	PR:098
		(passenger side)			
(6)	991 628 903 00	1 set: wiper blades (drivers side)	front RHD	1	PR:099
		(passenger side)			
7	991 628 305 00	cap for wiper arm		2	
(7)	N 106 092 04	Hexagon collar nut Mount Wiper arm		2	
8	991 615 108 01	Rain sensor		1	
9	9A7 955 609 00	Adhesive film		1	
10	9P1 971 103	Rain sensor Wire set		1	PR:-631,
		Rain sensor			-632,-852
(10)	9P1 971 103 A	Wire set Rain sensor		1	PR:631,632, 852

Model: 991-16

Model life 2017>>



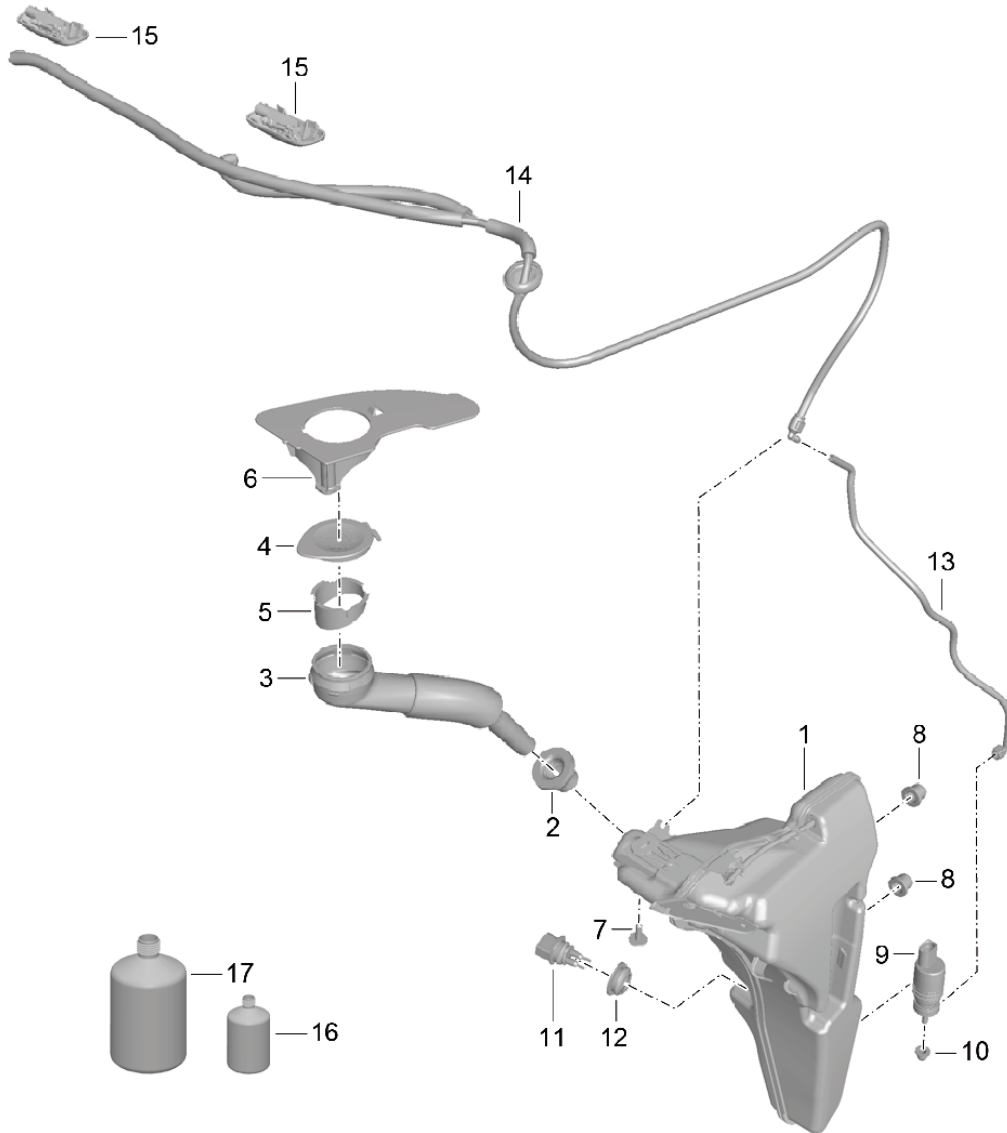
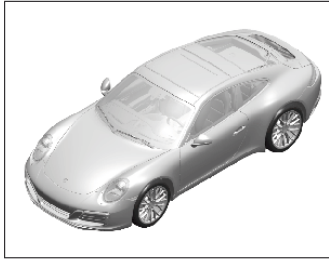
Model: 991-16

Model life 2017>>

Pos	Part Number	Description	Remark	Qty	Model
1	997 628 080 01	Rear window wiper Wiper motor		1	
2	997 628 908 00	repair set		1	
3	997 628 910 00	seal ring		1	
4	999 076 078 01	Hexagon nut M 6		2	
5	999 500 078 00	press insert nut		1	
6	999 073 468 01	Bolt with washer M 6 X 22 SC		1	
7	997 628 273 00	Grommet		1	
8	991 628 181 01	Wiper arm		1	
9	N 106 092 04	Hexagon collar nut		1	
10	991 628 189 00	wiper blade	rear	1	
11	997 628 122 00	Cover cap		1	

Model: 991-16

Model life 2017>>





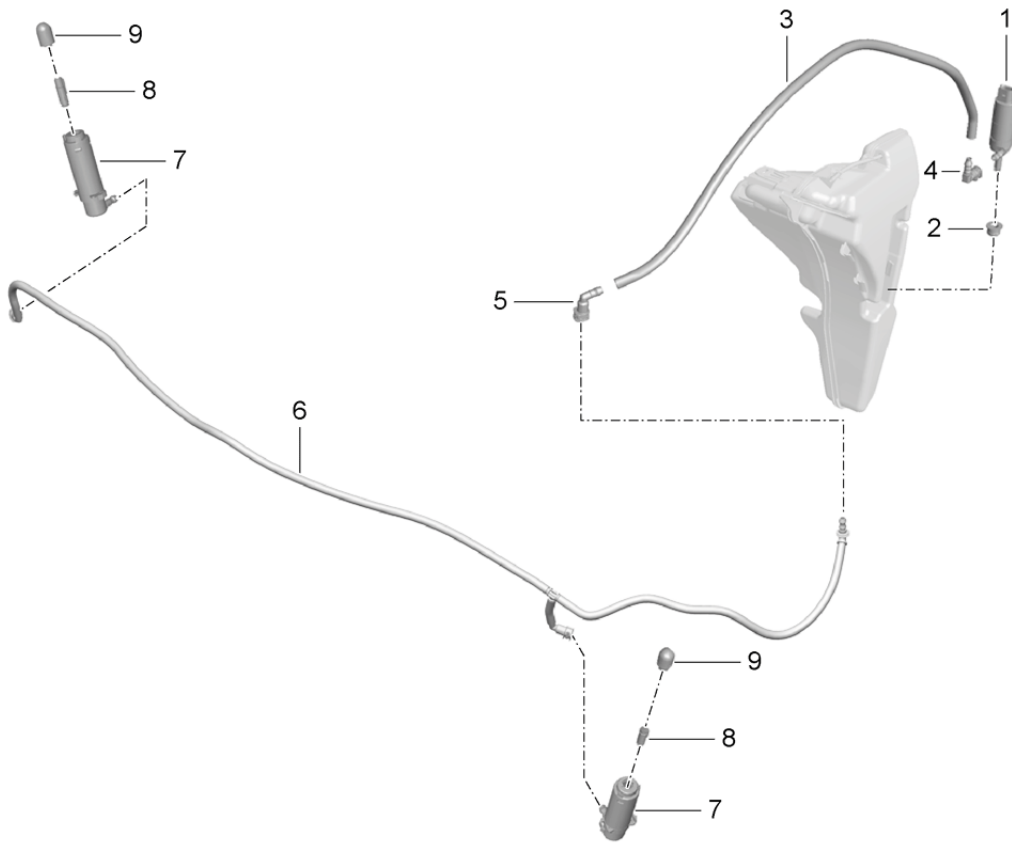
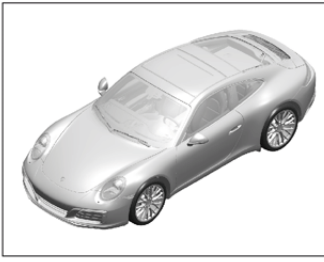
Model: 991-16

Model life 2017>>

Pos	Part Number	Description	Remark	Qty	Model
1	991 528 703 00	Windscreen washer system		1	PR:288
(1)	991 528 701 00	Water reservoir		1	PR:-288
2	955 528 711 01	Seal		1	
3	991 528 403 00	fuel filler neck		1	
4	991 528 413 00	Cover		1	
5	8Z0 955 485	strainer		1	
6	991 528 503 01	Bracket for filler neck		1	
7	N 911 883 01	Hexagon socket head bolt M 6 X 20		1	
8	999 702 221 40	Grommet		2	
9	1K5 955 651	Windscreen washer system pump		1	
10	958 628 712 00	Seal		1	
11	955 628 105 00	Water level switch		1	
12	955 528 721 00	Seal		1	
13	991 628 669 00	Hose line for washer water Pump		1	
		also use:	991 511 65102 (1E0)	1	
			991 511 65202 (1E0)	1	
14	991 628 667 05	Line Connection point jet		1	
15	991 628 073 00	jet		2	
16	999 901 017 42	Window cleaning solution 250 ML Summer		X	
17	999 901 033 40	Window cleaning solution 1000 ML Winter		X	

Model: 991-16

Model life 2017>>



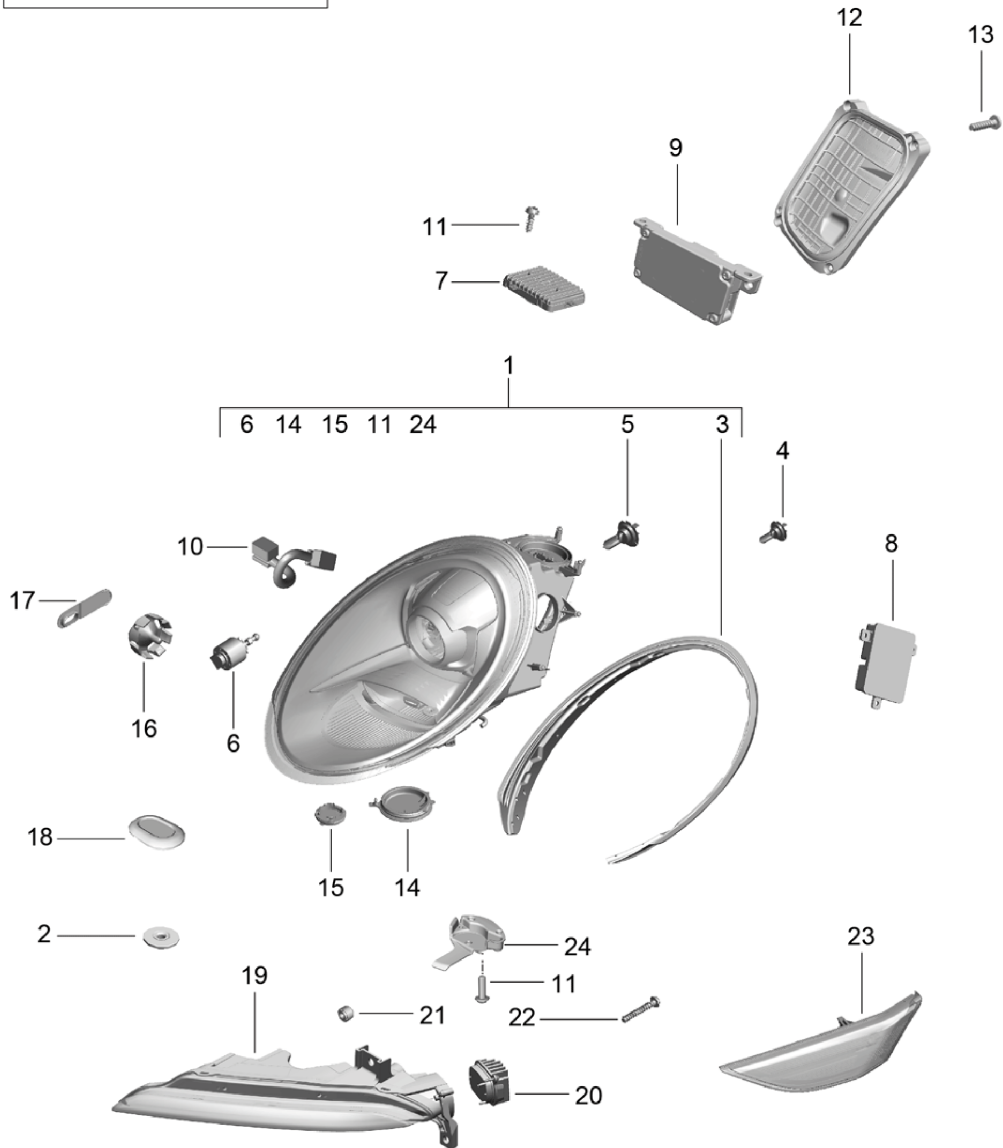
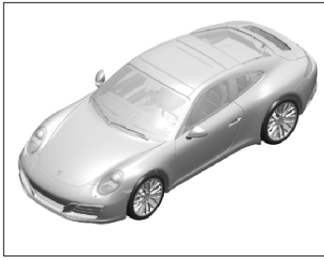
Model: 991-16

Model life 2017>>

Pos	Part Number	Description	Remark	Qty	Model
1	958 624 502 00	headlight washer system Pump for headlight- washer system		1	PR:288
2	431 955 465 A	Seal		1	
-	000 043 204 79	Hose 8 X 3		*	
3		shorten to:	905 MM	1	
4	8E0 955 665	Elbow fitting		1	
5	997 628 205 00	Coupling		3	
6	991 628 365 02	Hose		1	
7	997 628 163 01	jet chromed		2	PR:-011
		with:			
(7)	991 628 167 00	Nozzle head jet Matt black		2	PR:011
		with:			
8	997 628 263 00	Nozzle head Nozzle head chromed		2	PR:-011
9	997 628 981 02	Cap primed		2	PR:XUB

Model: 991-16

Model life 2017>>



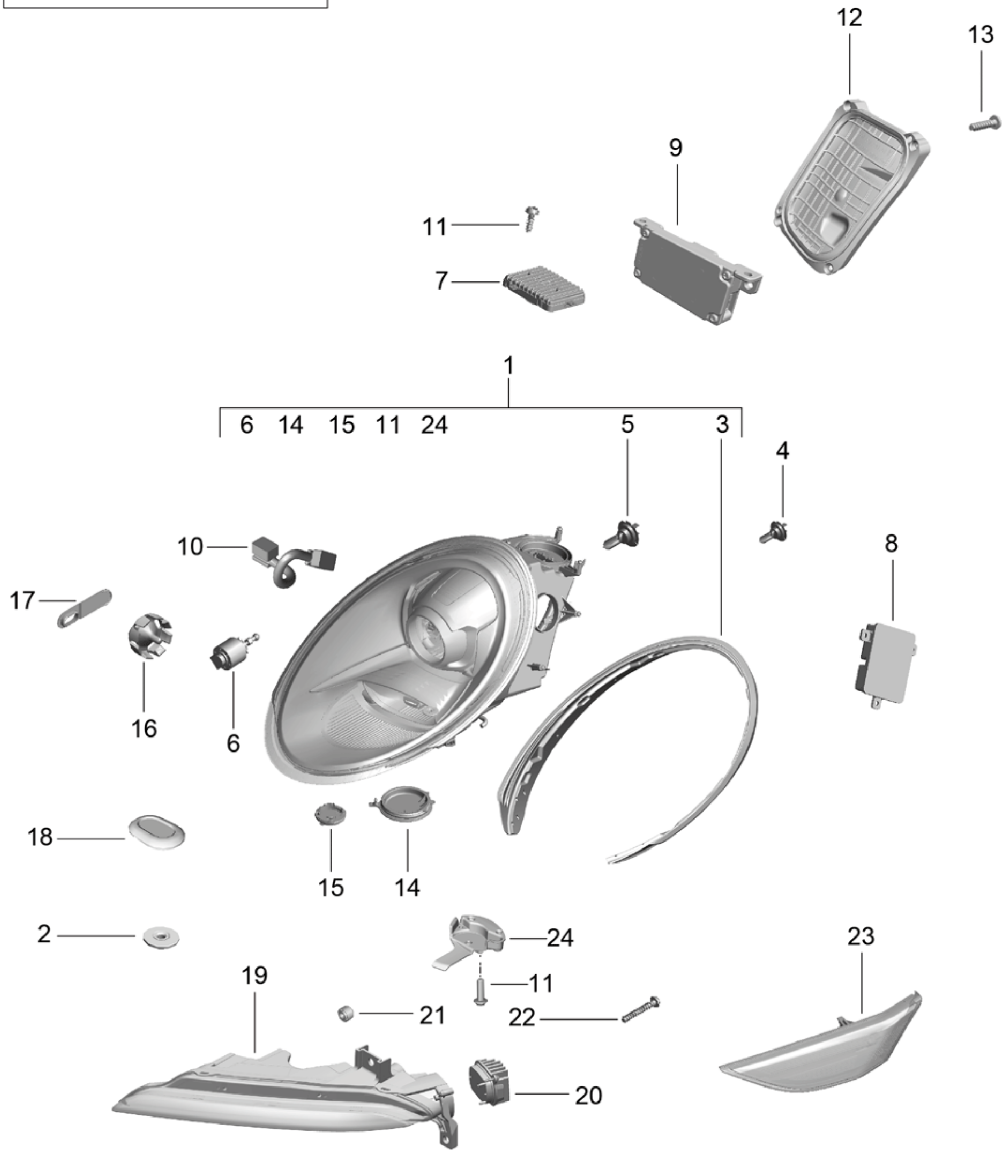
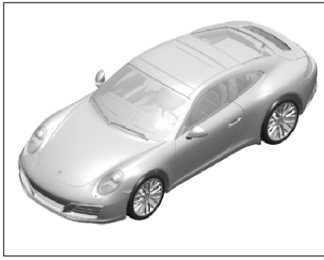
Model: 991-16

Model life 2017>>

Pos	Part Number	Description	Remark	Qty	Model
-		Headlights Additional headlight Turn signal indicator side marker light Turn signal repeater Headlights  without:  Control unit and bulb XENON			PR:601
1	991 631 211 02	Headlights	left	1	PR:-492
(1)	991 631 212 02	Headlights	right	1	PR:-492
(1)	991 631 213 02	Headlights	left	1	PR:492
(1)	991 631 214 02	Headlights	right	1	PR:492
2	991 631 371 01	Locknut		4	
3	991 631 315 02	Seal	left	1	
(3)	991 631 316 02	Seal	right	1	
4	999 631 070 90	Gas discharge lamp D3S		2	
5	999 631 133 91	Halogen bulb H 7		2	
6	991 631 327 03	Servomotor		2	
7	991 618 327 32	Headlight range control Control unit		2	
8	991 618 323 03	Headlight range control Control unit		2	
(8)	8K0 941 597 E	XENON Control unit for gas discharge lamp		2	
9	7PP 941 597 B	XENON Control unit LED		1	
10	991 631 323 00	Daytime driving lights Connecting line		2	
11	999 919 159 09	fillister hd. bolt 4,0 X 12,0		16	
12	991 631 341 01	Cap	left	1	
(12)	991 631 342 01	Cap	right	1	
13	991 631 377 00	Screw		8	
14	991 631 313 00	Protective hood High beam		2	
15	997 631 267 01	ventilation valve		2	
17	993 631 170 03	Bungs		6	
-		Additional headlight			
19	991 631 159 03	Additional headlight	left	1	
(19)	991 631 160 03	Additional headlight	right	1	
20	9P1 953 249	LED module	left	1	
(20)	9P1 953 249 A	LED module	right	1	
21	987 631 291 00	Cover cap		2	
22	999 919 246 01	fillister hd. bolt 6,0 X 18,0		6	
23	991 631 255 05	Turn signal repeater	left	1	
(23)	991 631 256 05	Turn signal repeater	right	1	
24	991 631 203 00	Retaining bar	left	1	
(24)	991 631 204 00	Retaining bar	right	1	

Model: 991-16

Model life 2017>>



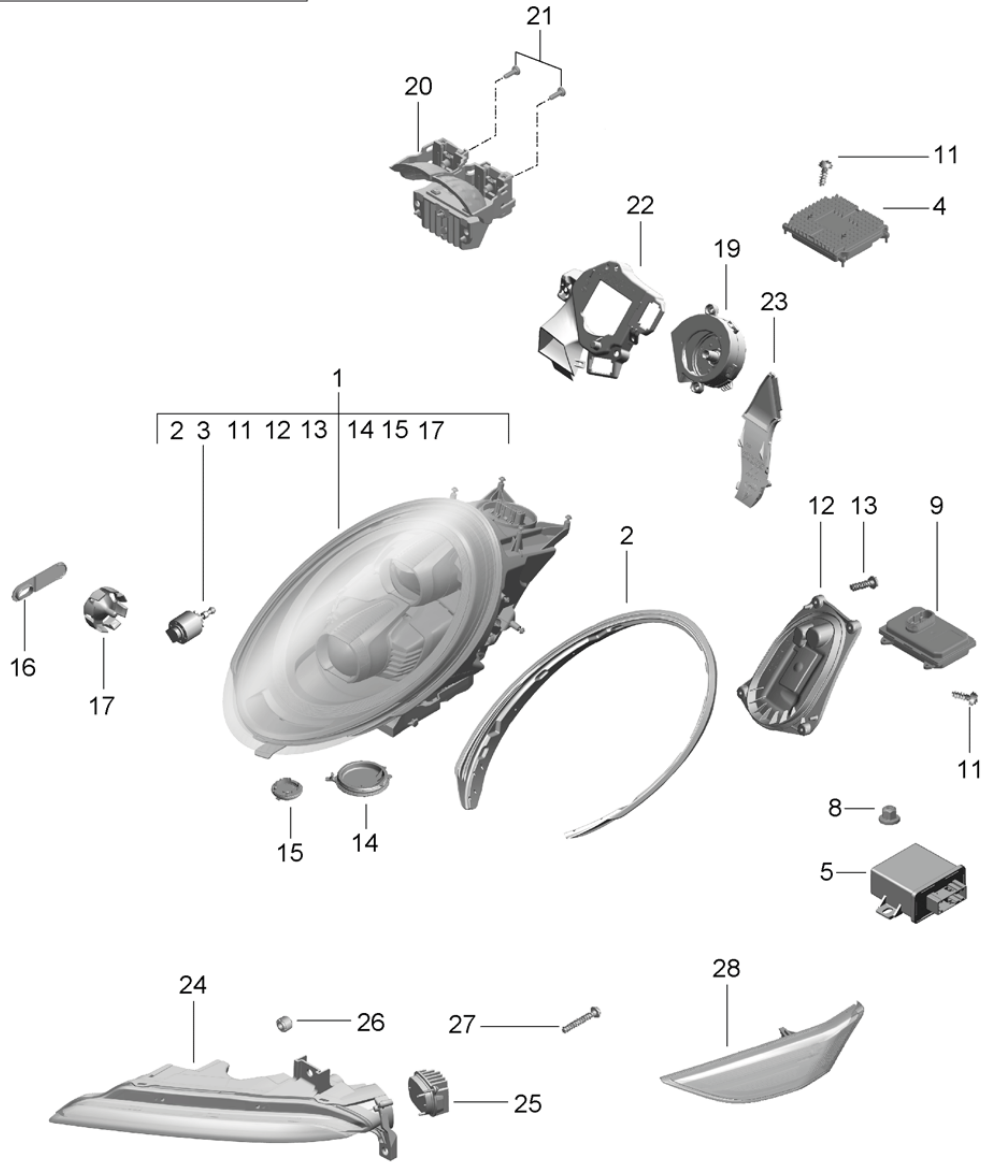
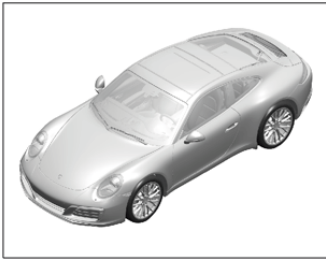
Model: 991-16

Model life 2017>>

Pos	Part Number	Description	Remark	Qty	Model
-		Headlights Additional headlight Turn signal indicator side marker light Turn signal repeater Headlights  without:  Control unit and bulb XENON			PR:603
1	991 631 293 02	Headlights	left	1	PR:-492
(1)	991 631 294 02	Headlights	right	1	PR:-492
(1)	991 631 295 02	Headlights	left	1	PR:492
(1)	991 631 296 02	Headlights	right	1	PR:492
2	991 631 371 01	Locknut		4	
3	991 631 315 02	Seal	left	1	
(3)	991 631 316 02	Seal	right	1	
4	999 631 070 90	Gas discharge lamp D3S		2	
5	999 631 133 91	Halogen bulb H 7		2	
6	991 631 327 03	Servomotor		2	
7	991 618 321 32	Headlight range control Control unit		2	
8	991 618 323 03	Headlight range control Control unit XENON		2	
(8)	8K0 941 597 E	Control unit for gas discharge lamp XENON		2	
9	7PP 941 597 B	Control unit LED		1	
10	991 631 323 00	Daytime driving lights Connecting line		2	
11	999 919 159 09	fillister hd. bolt 4,0 X 12,0		16	
12	991 631 341 01	Cap	left	1	
(12)	991 631 342 01	Cap	right	1	
13	991 631 377 00	Screw		8	
14	991 631 313 00	Protective hood High beam		2	
15	997 631 267 01	ventilation valve		2	
17	993 631 170 03	Bungs		6	
-		Additional headlight			
19	991 631 159 03	Additional headlight	left	1	
(19)	991 631 160 03	Additional headlight	right	1	
20	9P1 953 249	LED module	left	1	
(20)	9P1 953 249 A	LED module	right	1	
21	987 631 291 00	Cover cap		2	
22	999 919 246 01	fillister hd. bolt 6,0 X 18,0		6	
23	991 631 255 05	Turn signal repeater	left	1	
(23)	991 631 256 05	Turn signal repeater	right	1	
24	991 631 203 00	Retaining bar	left	1	
(24)	991 631 204 00	Retaining bar	right	1	

Model: 991-16

Model life 2017>>





Model: 991-16

Model life 2017>>

Pos	Part Number	Description	Remark	Qty	Model
-		Headlights Additional headlight Turn signal indicator side marker light Turn signal repeater Headlights			PR:602,XEY
		without:			
		Control unit and bulb LED			
1	991 631 271 22	LED headlight	left	1	PR:-XEY,-492
(1)	991 631 272 22	LED headlight	right	1	PR:-XEY,-492
(1)	991 631 273 22	LED headlight	left	1	PR:-XEY,492
(1)	991 631 274 22	LED headlight	right	1	PR:-XEY,492
(1)	991 631 963 62	LED headlight	left	1	PR:XEY,-492
(1)	991 631 964 62	LED headlight	right	1	PR:XEY,-492
(1)	991 631 965 62	LED headlight	left	1	PR:XEY,492
(1)	991 631 966 62	LED headlight	right	1	PR:XEY,492
2	991 631 315 02	Seal	left	1	
(2)	991 631 316 02	Seal	right	1	
3	991 631 327 03	Servomotor		2	
4	7PP 941 572 BB	Headlight range control Control unit LED module		2	
5	7PP 907 357 J	Control unit Headlight range control		1	
8	999 049 033 40	Plastic nut T6X16		2	
9	7PP 941 329 T	Control unit for LED headlight		2	
11	999 919 159 09	fillister hd. bolt 4,0 X 12,0		14	
12	991 631 317 00	Protective hood	left	1	
(12)	991 631 318 00	Protective hood	right	1	
13	991 631 377 00	Screw		8	
14	991 631 313 00	Protective hood High beam ventilation valve		2	
15	997 631 267 01	ventilation valve		2	
16	991 631 101 00	Bungs		6	
19	991 631 391 00	Fan		2	
20	991 631 397 01	LED module		2	
21	991 631 309 00	Oval-head screw 40X12 for LED module		4	
22	991 631 395 01	Bracket Fan	left	1	
(22)	991 631 396 00	Bracket Fan	right	1	
23	991 631 393 00	Air guide channel LED	left	1	
(23)	991 631 394 00	Air guide channel LED	right	1	
-		Additional headlight			
24	991 631 159 03	Additional headlight	left	1	
(24)	991 631 160 03	Additional headlight	right	1	
25	9P1 953 249	LED module	left	1	
(25)	9P1 953 249 A	LED module	right	1	
26	987 631 291 00	Cover cap		2	
27	999 919 246 01	fillister hd. bolt 6,0 X 18,0		6	
28	991 631 255 05	Turn signal repeater	left	1	

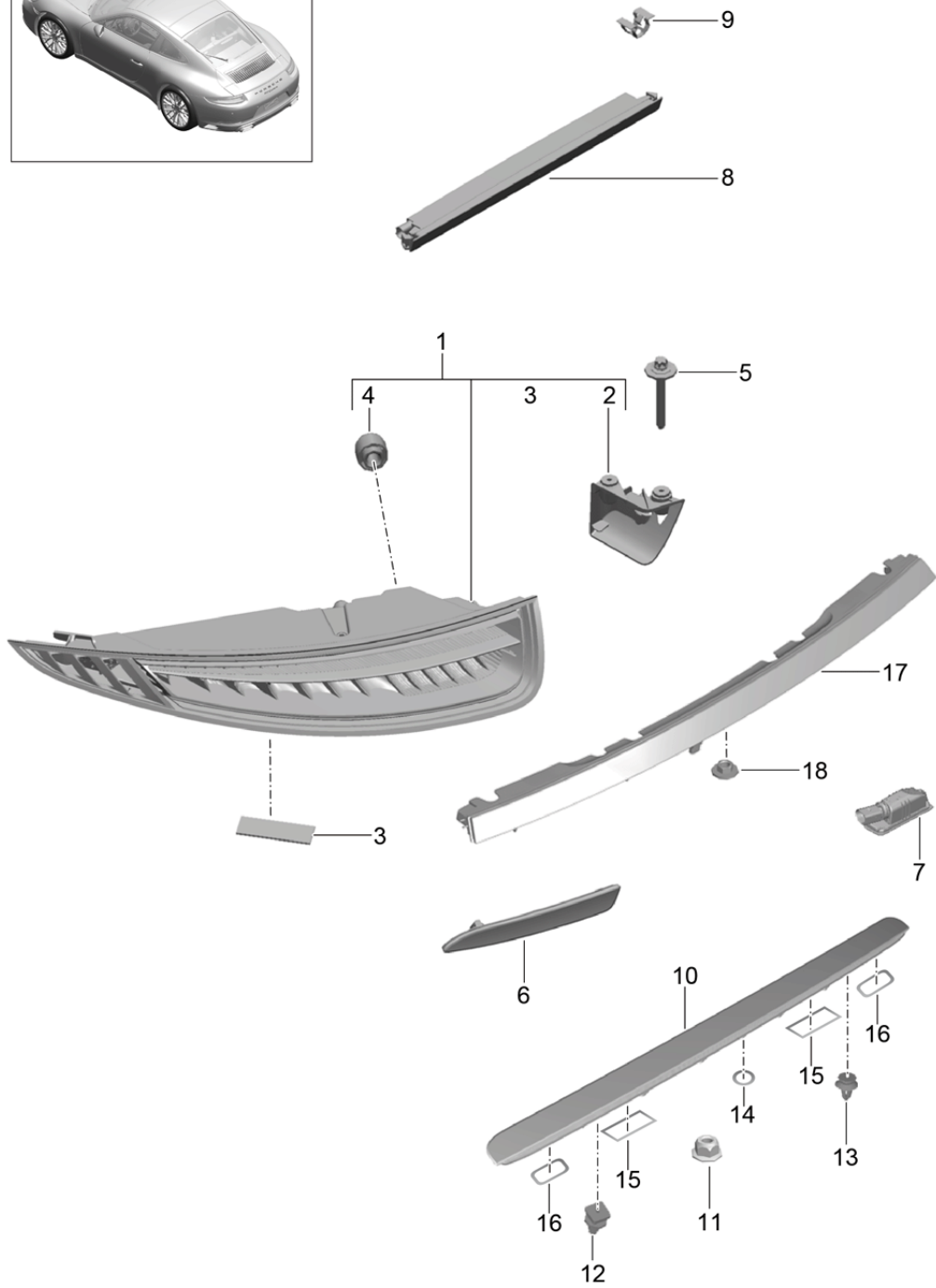
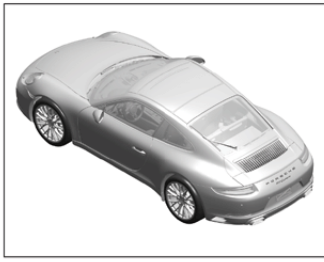
Model: 991-16

Model life 2017>>

Pos	Part Number	Description	Remark	Qty	Model
(28)	991 631 256 05	Turn signal repeater	right	1	

Model: 991-16

Model life 2017>>



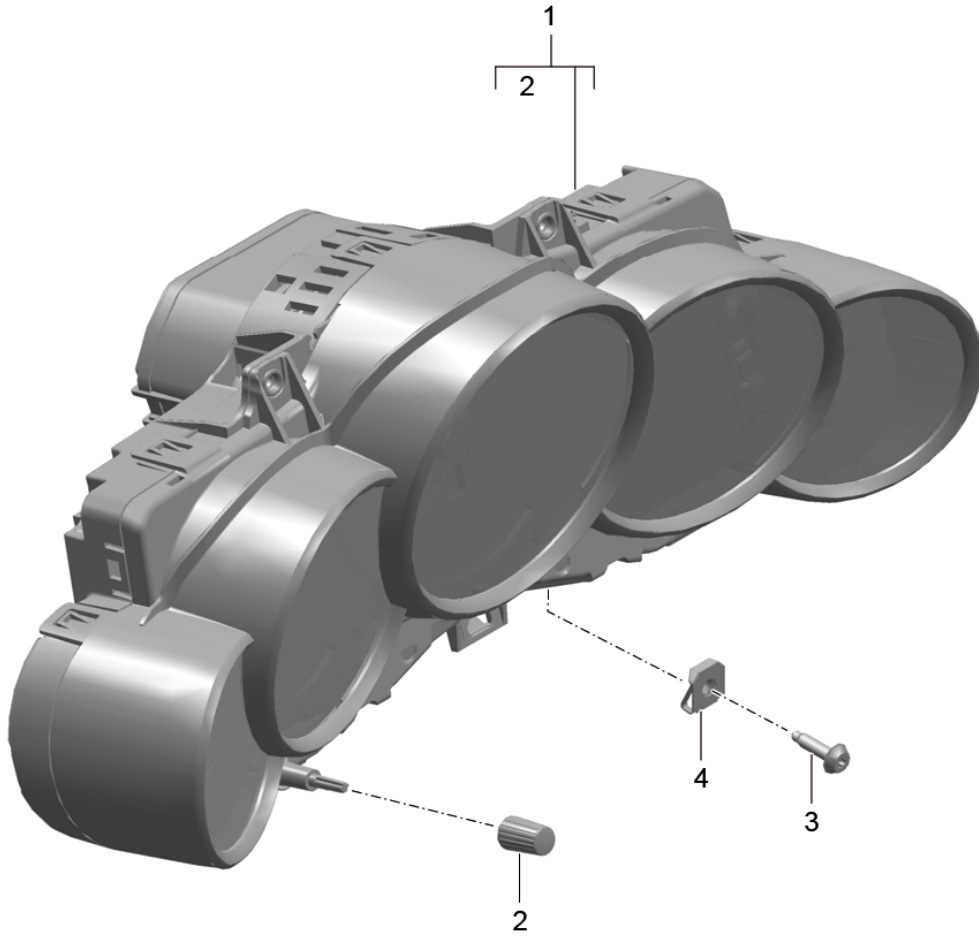
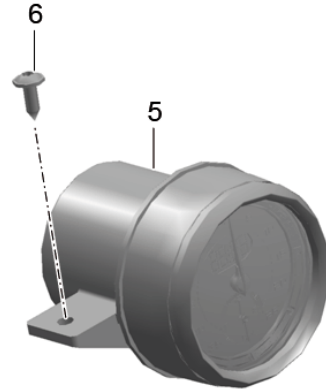
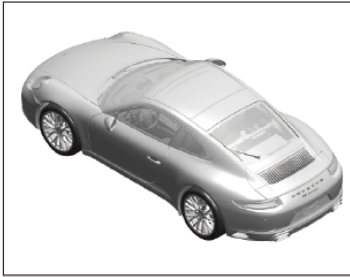
Model: 991-16

Model life 2017>>

Pos	Part Number	Description	Remark	Qty	Model
		Rear light			
		Licence plate light			
		Additional brake light			
1	991 631 165 02	Rear light	left lhd	1	PR:465,-XXP,
1	991 631 166 02	Rear light	right lhd	1	PR:-466,
1	991 631 167 02	Rear light	left rhd	1	PR:-465,
1	991 631 168 02	Rear light	right rhd	1	PR:466,-XXP,
(1)	991 631 973 02	Rear light	left	1	PR:XXP,465
(1)	991 631 974 02	Rear light	right	1	PR:XXP,465
(1)	991 631 975 02	Rear light	left	1	PR:XXP,466
(1)	991 631 976 02	Rear light	right	1	PR:XXP,466
2	991 631 905 00	repair set	left	1	
		Bracket			
		comprising:			
		Bracket			
		Screw			
		Ventilation component			
(2)	991 631 906 00	repair set	right	1	
		Bracket			
		comprising:			
		Bracket			
		Screw			
		Ventilation component			
3	991 631 481 00	Adhesive film		4	
4	987 631 291 00	Cover cap		6	
5	999 073 551 01	Bolt with washer		4	
		M 5 X 46			
6	991 631 455 01	rear light reflector	left	1	
6	991 631 456 01	rear light reflector	right	1	
7	1K8 943 021 C	LED licence plate light		2	
8	991 631 185 01	Additional brake light		1	
		Spoiler			
9	999 507 584 01	Clamp		2	
10	991 631 187 01	Additional brake light		1	PR:-XAA,-XAT
		Rear lid			
11	900 377 009 01	Hexagon nut		2	
12	991 631 287 00	square head bolt		2	
13	999 507 897 40	Retaining clip		4	
14	991 631 389 00	Seal		1	
		Foam part			
15	991 631 388 00	Seal		2	
		Foam part			
16	991 631 387 00	Seal		2	
		Foam part			
17	991 631 465 01	Reflector cover		1	CARRERA 4/4S
18	999 076 056 01	Hexagon nut		5	CARRERA 4/4S
		M 5			

Model: 991-16

Model life 2017>>



Model: 991-16

Model life 2017>>

Pos	Part Number	Description	Remark	Qty	Model
1	9P1 920 810 K	Instruments Stopwatch Basic Combi-instrument (complete)		1	CARRERA 2 CARRERA 4 PR:022,487, -011 -"GB. "
1	9P1 920 810 K A05 9P1 920 910 K	Matt black Combi-instrument (complete)		1	CARRERA 2 CARRERA 4 PR:022,250, -011 -"GB. "
1	9P1 920 910 K A05 9P1 920 850 K	Matt black Combi-instrument (complete)		1	CARRERA 2 CARRERA 4 PR:022,487, -011 "GB. "
1	9P1 920 850 K A05 9P1 920 950 K	Matt black Combi-instrument (complete)		1	CARRERA 2 CARRERA 4 PR:022,250, -011 "GB. "
1	9P1 920 950 K A05 9P1 920 810 L	Matt black Combi-instrument (complete)		1	CARRERA 2S CARRERA 4S PR:023,487, -011 -"GB. "
1	9P1 920 810 L A05 9P1 920 910 L	Matt black Combi-instrument (complete)		1	CARRERA 2S CARRERA 4S PR:023,250, -011 -"GB. "
1	9P1 920 910 L A05 9P1 920 850 L	Matt black Combi-instrument (complete)		1	CARRERA 2S CARRERA 4S PR:023,487, -011 "GB. "
1	9P1 920 850 L A05 9P1 920 950 L	Matt black Combi-instrument (complete)		1	CARRERA 2S CARRERA 4S PR:023,250, -011 "GB. "
1	9P1 920 950 L A05 9P1 920 811 G	Matt black Combi-instrument (complete)		1	PR:022,487, 011 -"GB. "
1	9P1 920 811 G A05 9P1 920 911 G	Matt black Combi-instrument (complete)		1	PR:022,250, 011 -"GB. "
1	9P1 920 911 G A05 9P1 920 951 G	Matt black Combi-instrument (complete)		1	PR:022,250, 011 "GB. "
	9P1 920 951 G A05	Matt black			

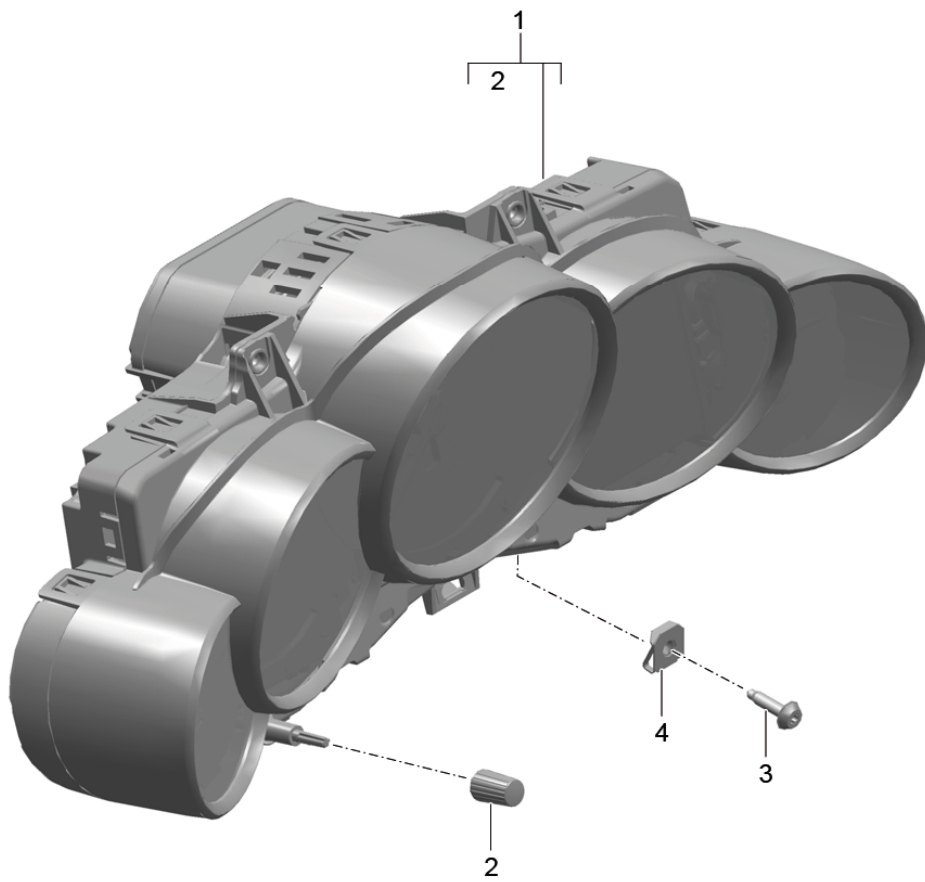
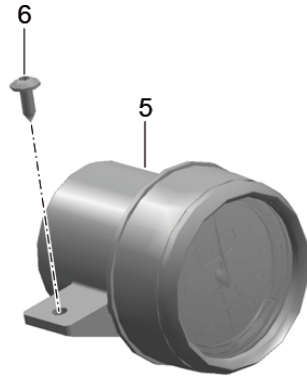
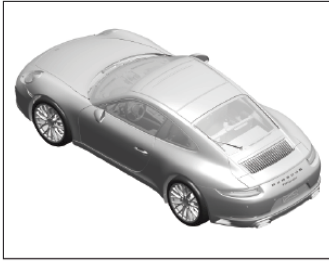
Model: 991-16

Model life 2017>>

Pos	Part Number	Description	Remark	Qty	Model
1	9P1 920 811 H	Combi-instrument (complete)		1	PR:023,487, 011 -"GB."
	9P1 920 811 H A05	silver			
1	9P1 920 911 H	Combi-instrument (complete)		1	PR:023,250, 011 -"GB."
	9P1 920 911 H A05	silver			
1	9P1 920 931 H	Combi-instrument (complete)		1	PR:023,250, 011 "USA",-"CDN"
	9P1 920 931 H A05	silver			
1	9P1 920 851 H	Combi-instrument (complete)		1	PR:023,487, 011 "GB."
	9P1 920 851 H A05	silver			
1	9P1 920 951 H	Combi-instrument (complete)		1	PR:023,250, 011 "GB."
	9P1 920 951 H A05	silver			
1	9P1 920 811 J	Combi-instrument (complete)		1	PR:027,487, 011 -"GB."
	9P1 920 811 J A05	Carmine red			
1	9P1 920 911 J	Combi-instrument (complete)		1	PR:027,250, 011 -"GB."
	9P1 920 911 J A05	Carmine red			
1	9P1 920 931 J	Combi-instrument (complete)		1	PR:027,250, 011 "USA",-"CDN"
	9P1 920 931 J A05	Carmine red			
1	9P1 920 851 J	Combi-instrument (complete)		1	PR:027,487, 011 "GB."
	9P1 920 851 J A05	Carmine red			
1	9P1 920 951 J	Combi-instrument (complete)		1	PR:027,250, 011 "GB."
	9P1 920 951 J A05	Carmine red			
1	9P1 920 813 A	Combi-instrument		1	
	9P1 920 813 A A05	Matt black			
1	9P1 920 853 A	Combi-instrument		1	
	9P1 920 853 A A05	Matt black			
2	991 641 911 00	Setting knob for daily distance recorder (kilometres or miles) throttle control element Trip meter		1	
3	999 073 498 01	fillister hd. bolt M 5 X 20		4	
4	999 507 556 01	panel nut		4	
-		Stopwatch			
5	9P1 919 203 E	Stopwatch		1	
	9P1 919 203 E DAP	Matt Black/Galvano Silver			
6	999 073 155 09	panel screw ST 4,2 X 13		2	

Model: 991-16

Model life 2017>>





Model: 991-16

Model life 2017>>

Pos	Part Number	Description	Remark	Qty	Model
1	9P3 920 810 L	Instruments Dial Exclusive Combi-instrument (complete)		1	CARRERA 2/2S CARRERA 4/4S PR:487,-011 - "GB. "
	9P3 920 810 L C9A	white			PR:XFJ
	9P3 920 810 L 84A	guards red (Porsche)			PR:XFG
	9P3 920 810 L 6W0	Luxor beige			PR:XFL
	9P3 920 810 L OG6	Bordeaux red			PR:XFB
	9P3 920 810 L 1S1	Racing Yellow			PR:XFR
1	9P3 920 811 G	Combi-instrument (complete)		1	PR:487,011 - "GB. "
	9P3 920 811 G C9A	white			PR:XFJ
	9P3 920 811 G 84A	guards red (Porsche)			PR:XFG
	9P3 920 811 G 6W0	Luxor beige			PR:XFL
	9P3 920 811 G OG6	Bordeaux red			PR:XFB
	9P3 920 811 G 1S1	Racing Yellow			PR:XFR
(1)	9P3 920 910 L	Combi-instrument (complete)		1	CARRERA 2/2S CARRERA 4/4S PR:250,-011 - "GB. "
	9P3 920 910 L C9A	white			PR:XFJ
	9P3 920 910 L 84A	guards red (Porsche)			PR:XFG
	9P3 920 910 L 6W0	Luxor beige			PR:XFL
	9P3 920 910 L OG6	Bordeaux red			PR:XFB
	9P3 920 910 L 1S1	Racing Yellow			PR:XFR
(1)	9P3 920 911 G	Combi-instrument (complete)		1	PR:250,011 - "GB. "
	9P3 920 911 G C9A	white			PR:XFJ
	9P3 920 911 G 84A	guards red (Porsche)			PR:XFG
	9P3 920 911 G 6W0	Luxor beige			PR:XFL
	9P3 920 911 G OG6	Bordeaux red			PR:XFB
	9P3 920 911 G 1S1	Racing Yellow			PR:XFR
1	9P3 920 850 L	Combi-instrument (complete)		1	CARRERA 2/2S CARRERA 4/4S PR:487,-011 "GB. "
	9P3 920 850 L C9A	white			PR:XFJ
	9P3 920 850 L 84A	guards red (Porsche)			PR:XFG
	9P3 920 850 L 6W0	Luxor beige			PR:XFL
	9P3 920 850 L OG6	Bordeaux red			PR:XFB
	9P3 920 850 L 1S1	Racing Yellow			PR:XFR
1	9P3 920 851 G	Combi-instrument (complete)		1	PR:487,011 "GB. "
	9P3 920 851 G C9A	white			PR:XFJ
	9P3 920 851 G 84A	guards red (Porsche)			PR:XFG
	9P3 920 851 G 6W0	Luxor beige			PR:XFL
	9P3 920 851 G OG6	Bordeaux red			PR:XFB
	9P3 920 851 G 1S1	Racing Yellow			PR:XFR
(1)	9P3 920 950 L	Combi-instrument (complete)		1	CARRERA 2/2S CARRERA 4/4S PR:250,-011 "GB. "
	9P3 920 950 L C9A	white			PR:XFJ
	9P3 920 950 L 84A	guards red (Porsche)			PR:XFG
	9P3 920 950 L 6W0	Luxor beige			PR:XFL
	9P3 920 950 L OG6	Bordeaux red			PR:XFB
	9P3 920 950 L 1S1	Racing Yellow			PR:XFR
(1)	9P3 920 951 G	Combi-instrument (complete)		1	PR:250,011 "GB. "
	9P3 920 951 G C9A	white			PR:XFJ

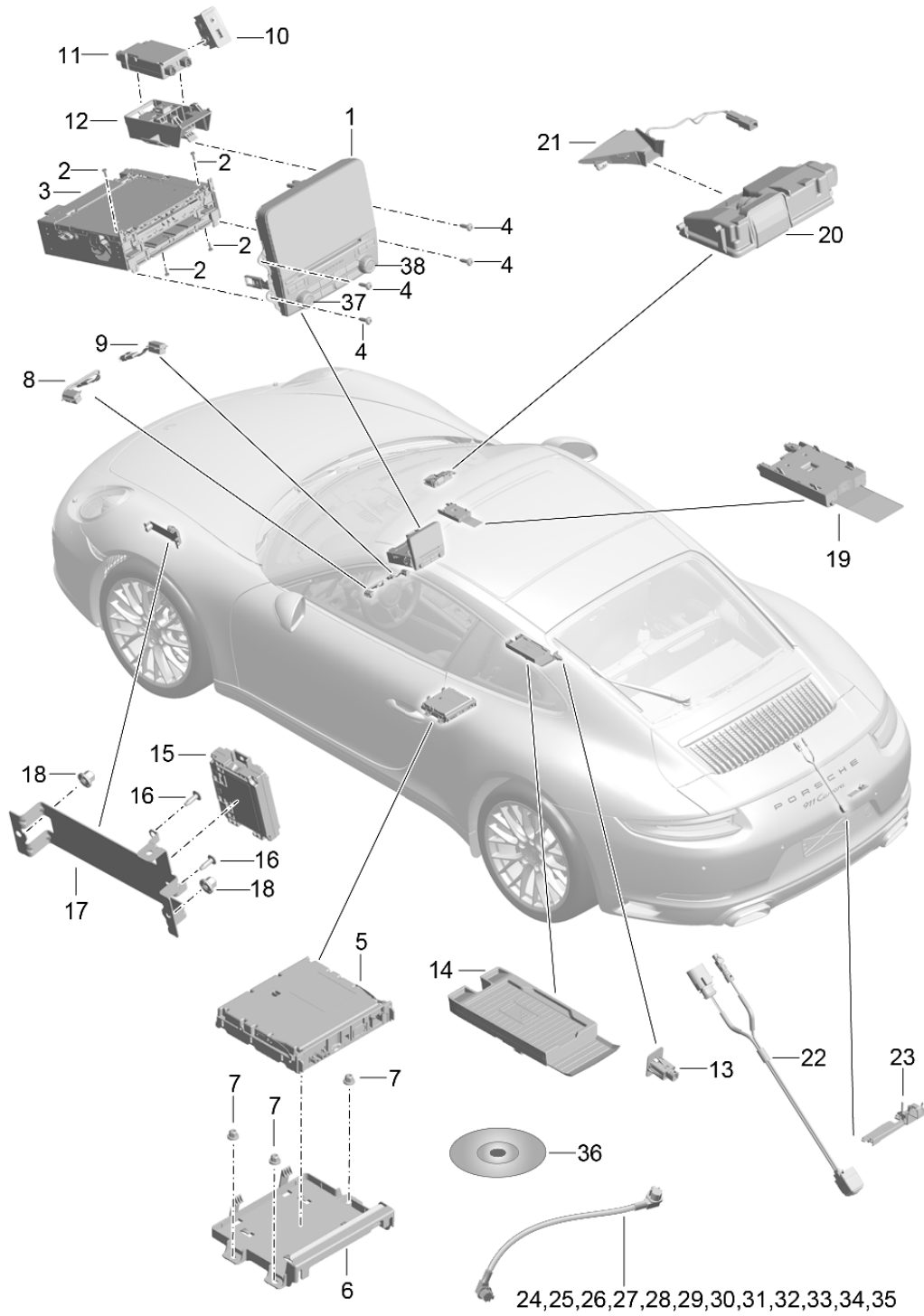
Model: 991-16

Model life 2017>>

Pos	Part Number	Description	Remark	Qty	Model
2	9P3 920 951 G 84A	guards red (Porsche)		1	PR: XFG
	9P3 920 951 G 6W0	Luxor beige			PR: XFL
	9P3 920 951 G OG6	Bordeaux red			PR: XFB
	9P3 920 951 G 1S1	Racing Yellow			PR: XFR
	991 641 911 00	Setting knob for daily distance recorder (kilometres or miles) throttle control element			
3	999 073 498 01	fillister hd. bolt M 5 X 20		4	
4	999 507 556 01	panel nut		4	
-		Stopwatch			
5	9P3 919 203	Stopwatch		1	PR: QR4, QR5, XGK
(5)	9P3 919 203 6W0	Luxor beige		1	PR: QR4, QR5, XGL
	9P3 919 203 A	Stopwatch			
(5)	9P3 919 203 A 1S1	Racing Yellow		1	PR: QR4, QR5, XGM
	9P3 919 203 B	Stopwatch			
(5)	9P3 919 203 B C9A	white		1	PR: QR4, QR5, XGN
	9P3 919 203 C	Stopwatch			
(5)	9P3 919 203 C 84A	guards red (Porsche)		1	PR: QR4, QR5, XGP
	9P3 919 203 D	Stopwatch			
6	9P3 919 203 D OG6	Bordeaux red		2	
	999 073 155 09	panel screw ST 4,2 X 13			

Model: 991-16

Model life 2017>>



Model: 991-16

Model life 2017>>

Pos	Part Number	Description	Remark	Qty	Model
1	9P1 919 606 D	Screen Central computer Navigation TV microphone Multimedia interface Coupler box Camera Connecting line display		1	PR:I8L,9ZC, 9ZK
(1)	9P1 919 606 D DML 9P1 919 606 X	Matt Black/hi-gloss chrome display		1	PR:I8L,9ZC, 9ZK
(1)	9P1 919 606 X DML 9P1 919 607 B	Matt Black/hi-gloss chrome display		1	PR:I8L,9ZE, 9ZX
(1)	9P1 919 607 B DML 9P1 919 607 X	Matt Black/hi-gloss chrome display		1	PR:I8L,9ZE, 9ZX
2	9P1 919 607 X DML 9A7 008 064 00	Matt Black/hi-gloss chrome flat round head bolt M 2,5 X 10		4	
3	9P1 035 035 D	Central computer		1	PR:ER1,QU1, QV3,9ZC,9ZK
(3)	9P1 035 035 X	Central computer		1	PR:ER1,QU1, QV3,9ZC,9ZK
(3)	9P1 035 036 D	Central computer		1	PR:ER1,QV0, QV1,9ZC,9ZK
(3)	9P1 035 036 X	Central computer		1	PR:ER1,QV0, QV1,9ZC,9ZK
(3)	9P1 035 037 D	Central computer		1	PR:ER1,QU1, QV3,9ZE,9ZX
(3)	9P1 035 037 X	Central computer		1	PR:ER1,QU1, QV3,9ZE,9ZX
(3)	9P1 035 038 D	Central computer		1	PR:ER1,QV0, QV1,9ZE,9ZX
(3)	9P1 035 038 X	Central computer		1	PR:ER1,QV0, QV1,9ZE,9ZX
(3)	9P1 035 039 D	Central computer		1	PR:ER2,QV0, QV1,9ZC,9ZK
(3)	9P1 035 039 X	Central computer		1	PR:ER2,QV0, QV1,9ZC,9ZK
(3)	9P1 035 040 D	Central computer		1	PR:ER2,QV0, QV1,9ZE,9ZX
(3)	9P1 035 040 X	Central computer		1	PR:ER2,QV0, QV1,9ZE,9ZX
(3)	9P1 035 041 D	Central computer		1	PR:ER2,QU1, QV3,9ZC,9ZK
(3)	9P1 035 041 X	Central computer		1	PR:ER2,QU1, QV3,9ZC,9ZK
(3)	9P1 035 868 D	Central computer		1	PR:ER2,QU1, QV3,9ZE,9ZX
(3)	9P1 035 868 X	Central computer		1	PR:ER2,QU1, QV3,9ZE,9ZX
(3)	9P1 035 890 D	Central computer		1	PR:ER3,9ZC, 9ZK
(3)	9P1 035 890 X	Central computer		1	PR:ER3,9ZC, 9ZK
(3)	9P1 035 892 D	Central computer		1	PR:ER3,9ZE, 9ZX
(3)	9P1 035 892 X	Central computer		1	PR:ER3,9ZE, 9ZX

Model: 991-16

Model life 2017&gt;&gt;

Pos	Part Number	Description	Remark	Qty	Model
(3)	9P1 035 893 D	Central computer		1	PR:ER4,QV0
(3)	9P1 035 893 X	Central computer		1	PR:ER4,QV0
(3)	9P1 035 894 C	Central computer		1	PR:ER6,9ZC, 9ZK
(3)	9P1 035 894 X	Central computer		1	PR:ER6,9ZC, 9ZK
(3)	9P1 035 895 C	Central computer		1	PR:ER6,9ZE, 9ZX
(3)	9P1 035 895 X	Central computer		1	PR:ER6,9ZE, 9ZX
(3)	9P1 035 896 C	Central computer		1	PR:ER8,9ZE, 9ZX
(3)	9P1 035 896 X	Central computer		1	PR:ER8,9ZE, 9ZX
(3)	9P1 035 897 C	Central computer		1	PR:ER5,9ZC, 9ZK
(3)	9P1 035 897 X	Central computer		1	PR:ER5,9ZC, 9ZK
(3)	9P1 035 898 C	Central computer		1	PR:ER5,9ZE, 9ZX
(3)	9P1 035 898 X	Central computer		1	PR:ER5,9ZE, 9ZX
(3)	9P1 035 899 C	Central computer		1	PR:ER7,9ZE, 9ZX
(3)	9P1 035 899 X	Central computer		1	PR:ER7,9ZE, 9ZX
4	999 073 498 01	fillister hd. bolt M5X20		4	
5	9A7 919 191 00	TV tuner TV		1	PR:ER1,ER2, ER8,QU1,QV1
(5)	9A7 919 192 00	TV tuner TV		1	PR:ER6,QU1, QV1
(5)	9A7 919 146 00	TV tuner TV		1	PR:ER7,QU1, QV1
(5)	9A7 919 129 00	TV tuner TV		1	PR:ER5,QU1, QV1
6	9P1 919 159	Bracket Receiving part TV		1	PR:QU1,QV1
7	999 049 033 40	Plastic nut		3	
8	991 646 307 02	microphone	left	1	PR:9VK,9ZC, 9ZK,9ZX
(8)	991 646 309 02	microphone	left	1	PR:9VJ,9VL, 9ZC,9ZE,9ZK, 9ZX
9	991 646 313 02	microphone	right	1	PR:I8L
11	9A7 642 222 00	Connection for USB and AUX-IN		1	PR:UI2,-ER5
11	9A7 642 222 00	Connection for USB and AUX-IN		1	PR:UI4,ER5
(11)	9A7 642 222 20	Multimedia interface Connection for USB and AUX-IN		1	PR:UI4-ER5
(10)	9P1 035 222 B	USB connector		1	PR:UI2
11	9A7 642 953 00	USB hub		1	PR:UI2,ER1, ER9
(11)	9A7 642 953 02	USB distributor		1	PR:UI2,ER5
12	9P1 035 925 A	Bracket for USB hub		1	PR:UI2,ER1, ER2,ER3,ER4, ER9
13	9P1 035 222	USB connector		1	PR:UI2
14	9P1 035 502 A	Coupler box		1	PR:9ZC
	9P1 035 502 A 1E0	Black			
15	PAB 035 456 00	Amplifiers Mobile		1	PR:9ZC
(15)	PAB 035 456 02	Amplifiers		1	PR:9ZC

Model: 991-16

Model life 2017>>

Pos	Part Number	Description	Remark	Qty	Model
(15)	9A7 646 456 00	Mobile Amplifiers		1	PR:9ZC,9ZE
16	999 073 459 01	Mobile fillister hd. bolt		2	
17	9P1 035 205	Cellphone holder Amplifiers		1	PR:9ZC
18	999 049 033 40	Plastic nut		2	
19	9A7 919 813 00	chip card reader for road toll system		1	PR:ER5
19	9A7 919 813 A	D >> - 18.01.2018 chip card reader for road toll system		1	PR:ER5
20	7PP 980 653 D	Camera Windscreen	use also for retrofitting:	1	PR:631,-632,-852
(20)	7PP 980 653 D	Camera Windscreen		1	PR:-631,632,852
21	991 555 715 00	Trim	with:	1	PR:631,-632,-852
(21)	991 555 715 00	heater Trim	with:	1	PR:-631,632,852
22	95B 980 551 K	Reversing camera		1	PR:638
23	991 642 222 00	Support for reversing camera Connector		1	PR:638
24	9P1 979 001	Connecting line Coupler box Centre console 800 MM		1	PR:9ZC
25	9P1 979 002	Connecting line USB adapter Centre console 1025 MM		1	PR:UI2
26	9P1 979 018	Connecting line USB adapter Centre console 600 MM		1	PR:UI2
27	9P3 979 001	Connecting line Combi-instrument Centre console 730 MM		1	/LL PR:UI2,098
28	9P4 979 001	Connecting line Combi-instrument Centre console 1100 MM		1	/RL PR:UI2,099
29	9P1 979 008	Connecting line Reversing camera 1350 MM		1	PR:638
30	9P1 979 016	Connecting line Reversing camera 4100 MM		1	PR:638
31	9P1 979 022	Connecting line Reversing camera Trim 950 MM	rear	1	PR:638
32	9P1 979 004	Connecting line USB adapter USB distributor 850 MM		1	PR:ER1,ER2,ER3,ER4,ER6,ER7,ER8,I8L,UI2
33	9P1 979 005	Connecting line USB adapter		1	PR:ER5

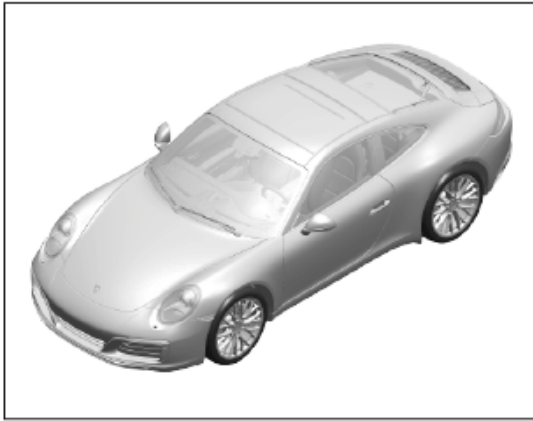
Model: 991-16

Model life 2017>>

Pos	Part Number	Description	Remark	Qty	Model
34	9P4 979 022	Central computer 890 MM Connecting line USB distributor Central computer 850 MM		1	PR:ER1,ER2, ER3,ER4,ER6, ER7,ER8,I8L, UI2
34	9P1 970 295	D >> - 02.09.2015 Connecting line (Central computer > USB hub)		1	PR:ER1,ER2, ER3,ER4,ER6, ER7,ER8,I8L, UI2
35	9P1 970 349	D - 03.09.2015>> Connecting line Screen Central computer 250 MM		1	
36	958 919 855 00	CD-ROM for electronic driver's logbook		1	PR:9NY
37	9P1 919 069	Rot. knob Screen	left	1	
38	9P1 919 070	Rot. knob Screen	right	1	

Model: 991-16

Model life 2017>>





Model: 991-16

Model life 2017>>

Pos	Part Number	Description	Remark	Qty	Model
		SD card Data Navigation and Software for Update			
1	9P1 909 000 G	SD memory card for updating the navigation data D - MJ 2017>> - MJ 2017		1	PR:ER1
1	9P1 909 000 T	SD memory card for updating the navigation data D - MJ 2018>>		1	PR:ER1
1	9P1 909 000 H	SD memory card for updating the navigation data D - MJ 2017>> - MJ 2017		1	PR:ER3,ER4
1	9P1 909 000 AA	SD memory card for updating the navigation data D - MJ 2018>>		1	PR:ER3,ER4
1	9P1 909 000 J	SD memory card for updating the navigation data D - MJ 2017>> - MJ 2017		1	PR:ER2
1	9P1 909 000 AB	SD memory card for updating the navigation data D - MJ 2018>>		1	PR:ER2
1	9P1 909 000 L	SD memory card for updating the navigation data D - MJ 2017>> - MJ 2017		1	PR:ER5
1	9P1 909 000 AD	SD memory card for updating the navigation data D - MJ 2018>> - MJ 2018		1	PR:ER5,IY1
1	9P1 909 000 AH	SD memory card for updating the navigation data D - MJ 2018>> - MJ 2018		1	PR:ER5,IY2
1	9P1 909 000 N	SD memory card for updating the navigation data D - MJ 2017>> - MJ 2017		1	PR:ER8
1	9P1 909 000 AF	SD memory card for updating the navigation data D - MJ 2018>> - MJ 2018		1	PR:ER8,IY1
1	9P1 909 000 AK	SD memory card for updating the navigation data D - MJ 2018>> - MJ 2018		1	PR:ER8,IY2
1	9P1 906 961	SD card Software Central computer D - MJ 2017>> - MJ 2017		1	PR:ER1,ER2
1	9P1 919 360 B	SD card Software Central computer D - MJ 2018>>		1	PR:ER1,ER2
1	9P1 906 961 A	SD card Software Central computer D - MJ 2017>> - MJ 2017		1	PR:ER3,ER4
1	9P1 919 360 C	SD card Software Central computer D - MJ 2018>>		1	PR:ER3,ER4
1	9P1 906 961 B	SD card Software Central computer D >> - 08.11.2016		1	PR:ER6

Model: 991-16

Model life 2017>>

Pos	Part Number	Description	Remark	Qty	Model
1	9P1 919 360	D - MJ 2017>> SD card Software Central computer D - 09.11.2016>> D >> - MJ 2017		1	PR:ER6
1	9P1 919 360 D	SD card Software Central computer		1	PR:ER6
1	9P1 919 360 A	SD card Software Central computer D >> - MJ 2017		1	PR:ER5
1	9P1 919 360 E	SD card Software Central computer D - MJ 2018>>		1	PR:ER5
1	9P1 906 961 D	SD card Software Central computer D - MJ 2017>> - MJ 2017		1	PR:ER8
1	9P1 919 360 F	SD card Software Central computer D - MJ 2018>>		1	PR:ER8
1	9P1 906 961 E	SD card Software Central computer D - MJ 2017>> - MJ 2017		1	PR:ER7
1	9P1 919 360 G	SD card Software Central computer D - MJ 2018>>		1	PR:ER7
5	06H 911 021 E	Starter		1	



Model: 991-16

Model life 2017>>

Pos	Part Number	Description	Remark	Qty	Model
1	9P1 035 225	Aerial Lines Aerial amplifier A-pillar	right	1	/R PR:ER1,ER2, ER3,ER4,ER6, ER7,ER8,QU8, QV0,QV3
(1)	9P1 035 225 A	Aerial amplifier A-pillar	right	1	/R PR:ER5,QV0
(1)	9P1 035 225 C	Aerial amplifier A-pillar	right	1	/R PR:ER1,ER2, ER3,ER4,ER6, ER7,ER8,QU1, QV1
(1)	9P1 035 225 D	Aerial amplifier A-pillar	right	1	/R PR:ER5,QV1
1	9P1 035 225 B	Aerial amplifier A-pillar	left	1	/L PR:ER1,ER2, ER3,ER4,ER6, ER7,ER8,QV3
1	9P1 035 225 E	Aerial amplifier A-pillar	left	1	/L PR:ER1,ER2, ER3,ER4,ER6, ER8,QV1
1	9P1 035 225 F	Aerial amplifier A-pillar	left	1	/L PR:ER5,QV1
1	9P1 035 225 G	Aerial amplifier A-pillar	left	1	/L PR:ER1,ER2, ER3,ER4,ER6, ER8,QU1
2	971 035 503	Telephone aerial		1	PR:9ZC,9ZK, -631,-632,
3	971 035 503 A	Telephone aerial		1	PR:9ZC,9ZK, 631,632,852
(3)	971 035 503 A	Data Telephone aerial		1	PR:9ZC,9ZK, 631,-632, -852
(3)	971 035 503 A	Data Telephone aerial		1	PR:9ZC,9ZK, -631,632,852
4	971 035 510 B	Data Telephone aerial		2	PR:9ZC,-XAS, -XAT
(4)	971 035 510 B	Front apron Telephone aerial		1	PR:9ZK,-XAS, -XAT
(4)	982 035 510 A	Front apron Telephone aerial		2	PR:9ZC,XAS, XAT
(4)	982 035 510 A	Front apron Telephone aerial		1	PR:9ZK,XAS, XAT
5	9P1 035 510	Front apron Aerial Digital		1	PR:QU8
6	7PP 035 504 A	Radio unit Aerial Navigation		1	PR:7UG
7	991 647 053 01	Aerial VTS vehicle tracking		1	PR:7G9,7I0, 7I2
8	9A7 647 504 00	Aerial ETC		1	PR:ER5
9	9P1 035 755	Retainer for aerial		1	PR:ER5

Model: 991-16 Model life 2017>>

Pos	Part Number	Description	Remark	Qty	Model
10	9A7 647 504 10	ETC Aerial VICS D >> - 18.01.2018		1	PR:ER5
10	9A7 035 504	Aerial VICS use also for retrofitting: D - 19.01.2018>>	9A7.919.813.A	1	PR:ER5
11	9A7 647 720 00	Retainer for aerial VICS		1	PR:ER5
12	9P4 979 002	Single wire Aerial ETC		1	PR:ER5
13	9P3 979 008	Single wire Aerial		1	PR:ER5, I8L, QV0
(13)	9P3 979 009	Single wire Aerial	right	1	/R PR:ER5, I8L, QV1
(13)	9P3 979 013	Single wire Aerial	left	1	/L PR:ER5, I8L, QV1
14	9P3 979 023	Single wire Aerial GSM		1	PR:7G9, 7I0, 7I2
15	9P4 979 005	Single wire Aerial GPS		1	PR:7UG
16	9P4 979 006	Single wire Aerial GPS		1	PR:7G9, 7I0, 7I2
17	9P3 979 007	VTS vehicle tracking Single wire Aerial GSM		1	PR:7G9, 7I0, 7I2
18	9P3 979 018	VTS vehicle tracking Single wire Aerial GSM		1	PR:9ZC, 9ZK, -631, -632, -852
19	9P3 979 019	Single wire Aerial GSM		1	PR:9ZC, 9ZK, 631, -632, -852
(19)	9P3 979 019	Single wire Aerial GSM		1	PR:9ZC, 9ZK, 632, 852
20	9P1 979 010	Single wire Aerial Digital Radio unit		1	PR:QU8
(20)	9P1 979 011	Single wire Aerial Digital Radio unit		1	PR:QU8
21	9P1 979 015	Single wire Aerial Centre console VTS vehicle tracking		1	PR:7G9, 7I0, 7I2
22	9P3 979 010	Single wire Aerial		1	PR:ER1, ER2, ER3, ER4, ER6, ER7, ER8, I8L, QU8, QV0, QV3
23	9P3 979 011	Single wire Aerial		1	PR:ER1, ER2, ER3, ER4, ER6,

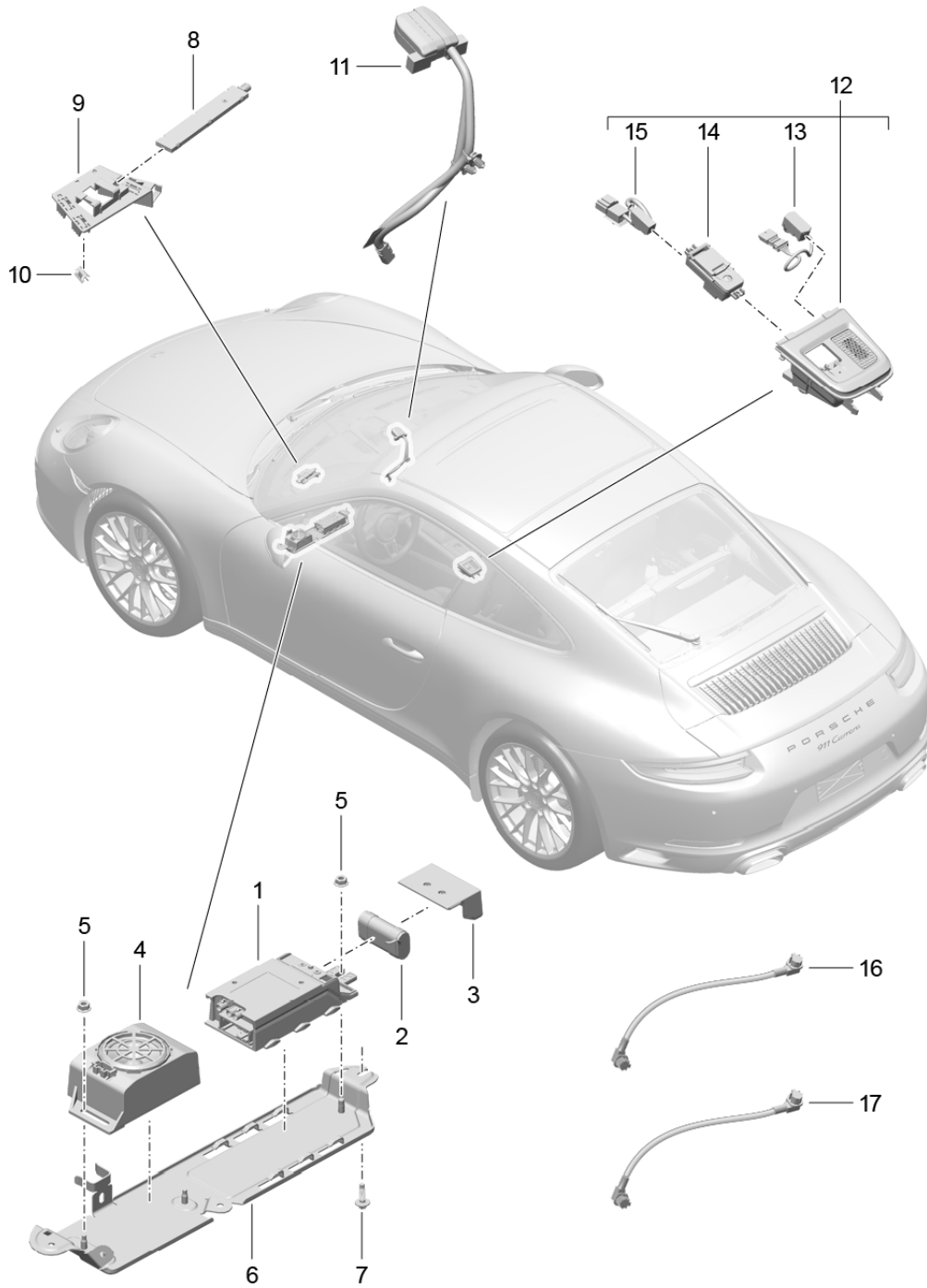
Model: 991-16

Model life 2017>>

Pos	Part Number	Description	Remark	Qty	Model
24	9P3 979 012	Single wire Aerial		1	ER8, I8L, QU1, QV1 PR:ER1, ER2, ER3, ER4, ER6, ER8, I8L, QU1
25	9P3 979 014	Single wire Aerial DAB	lhd	1	PR:QV3
25	9P4 979 014	Single wire Aerial DAB	rhd	1	PR:QV3
26	9P3 979 015	Single wire Aerial  without: DAB		1	PR:ER1, ER2, ER3, ER4, ER6, ER8, I8L, QV1
27	9P3 979 016	Single wire Aerial FRONT luggage compartment		1	PR:9ZC
28	9P3 979 017	Single wire Aerial Centre console Amplifiers		1	PR:9ZC
29	9P1 979 021	Single wire Aerial Telephone		1	PR:9ZC
30	9P1 979 020	Front apron Single wire Aerial Telephone		1	PR:9ZC, 9ZK
31	9A7 035 504 00	Front apron Aerial GSM		1	
32	9P1 035 525	Retainer for aerial GSM		1	

Model: 991-16

Model life 2017>>



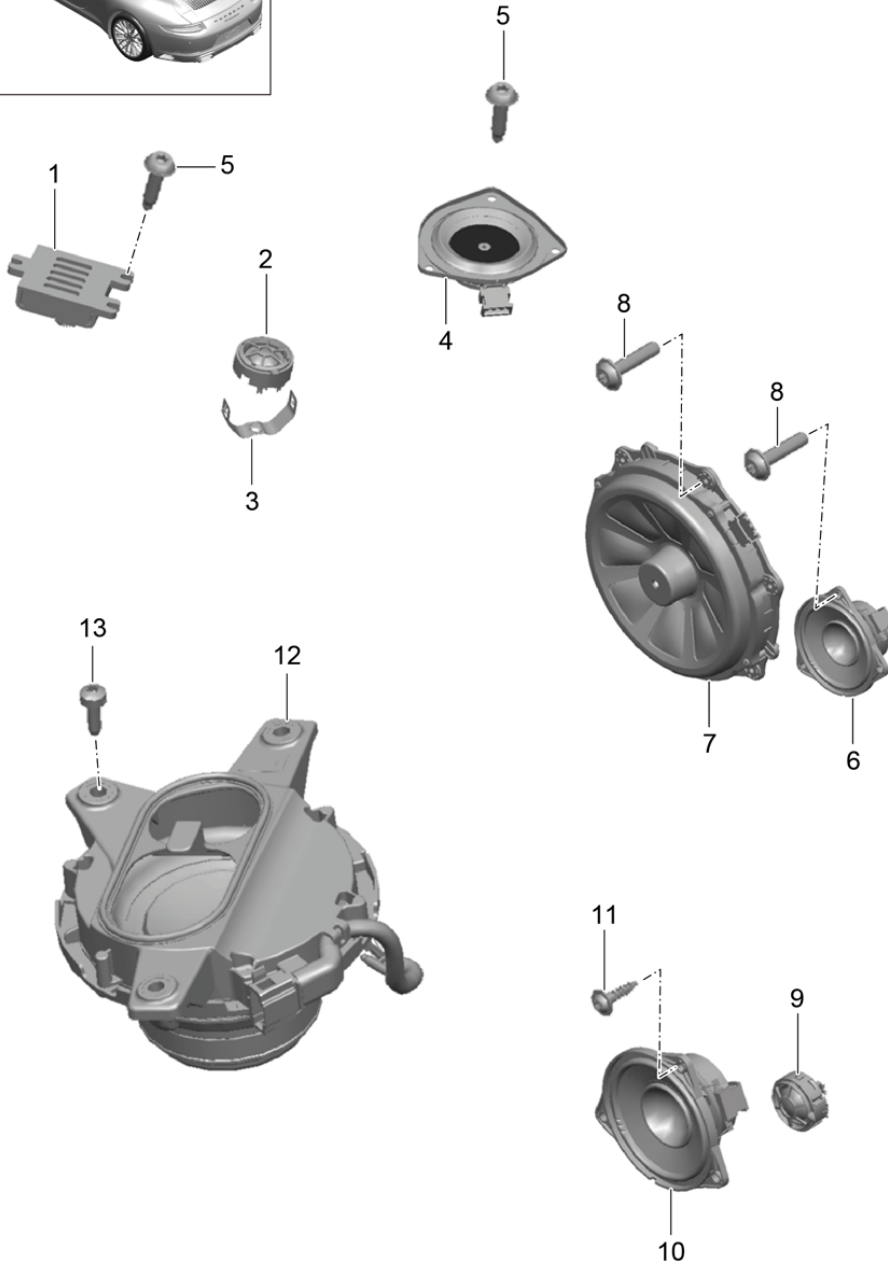
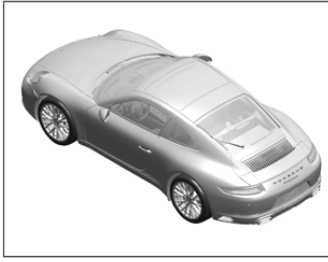
Model: 991-16 Model life 2017>>

Pos	Part Number	Description	Remark	Qty	Model
1	9P1 035 284	Emergency call system control box		1	PR:NZ3
2	9P1 915 611	Communication Box		1	
3	9P1 035 215	Battery for Communication Box		1	
4	7PP 035 709 A	Cover for Communication Box		1	
5	900 377 010 01	Loudspeaker		4	
6	9P1 035 206	Hexagon nut		4	
7	999 919 278 01	Bracket		2	
8	9A7 035 504 00	Hexagon head bolt		1	
9	9P1 035 525	Aerial GSM		1	
10	N 107 297 01	Retainer for aerial		3	
11	9P1 035 504	U-clip		1	
12	982 857 200 982 857 200 A05	Bracket		1	PR:-583
13	9P1 035 712	Aerial GPS		1	
14	9P1 959 511	Trim for centre console		1	
15	9P1 959 511 6N3	Black	with:	1	
16	9P1 971 659	microphone		1	
17	9P1 979 023	Switch		1	
		Black		1	
		Adapter		1	
		Line		1	
		Single wire for Control unit		1	
		Emergency call system To Aerial GSM 1250 MM			
		Connector housing Black and Connector housing violet			
		Single wire for Control unit		1	
		Emergency call system To Aerial GPS 1300 MM			
		Connector housing blue and Connector housing Black			



Model: 991-16

Model life 2017>>

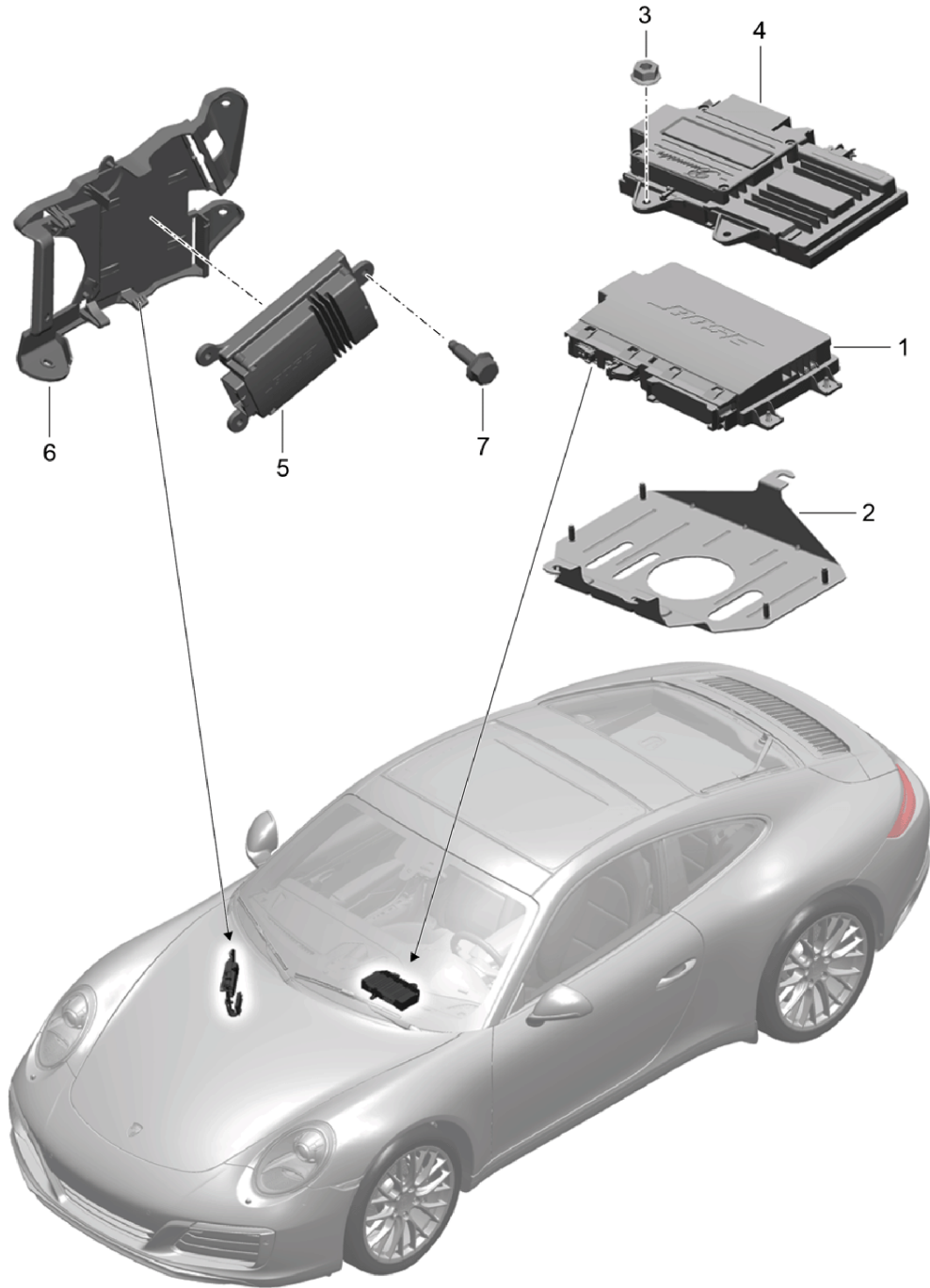


Model: 991-16 Model life 2017>>

Pos	Part Number	Description	Remark	Qty	Model
1	7PP 035 411 E	Loudspeaker Treble speaker dashboard		2	PR:9VJ
2	7PP 035 411 D	Treble speaker dashboard		2	PR:9VL
(2)	7PP 035 411	Treble speaker dashboard		2	PR:9VK
3	991 552 775 00	Retaining bar Treble speaker		2	PR:9VK,9VL
4	7PP 035 828 E	Loudspeaker dashboard	center	1	PR:9VJ
(4)	7PP 035 828 D	Loudspeaker dashboard	center	1	PR:9VL
5	999 073 498 01	fillister hd. bolt M 5 X 20		9	
6	7PP 035 415 G	Mid tone speaker Door		2	PR:9VJ
(6)	7PP 035 415 F	Mid tone speaker Door		2	PR:9VL
(6)	7PP 035 415 J	Mid tone speaker Door		2	PR:9VK
7	7PP 035 454 H	Bass loudspeaker Door		2	PR:9VJ
(7)	9A7 645 555 14	Bass loudspeaker Door		2	PR:9VL
(7)	7PP 035 454 L	Bass loudspeaker Door		2	PR:9VK
8	999 919 209 09	fillister hd. bolt 5,0 X 22,0		12	
9	7PP 035 411	Treble speaker	rear	2	PR:9VK
(9)	7PP 035 411 D	Treble speaker	rear	2	PR:9VL
(9)	7PP 035 411 E	Treble speaker	rear	2	PR:9VJ
(9)	7PP 035 412 A	Treble speaker Door	rear	2	PR:9VJ
10	7PP 035 415 G	Mid tone speaker	rear	2	PR:9VJ
(10)	7PP 035 415 F	Mid tone speaker	rear	2	PR:9VL
(10)	7PP 035 415 J	Mid tone speaker	rear	2	PR:9VK
11	999 919 250 01	Oval-head screw 4,0 X 16,0		6	
12	991 645 575 00	Subwoofer	lhd	1	PR:098,9VJ
(12)	991 645 565 00	Subwoofer	lhd	1	PR:098,9VL
(12)	991 645 576 00	Subwoofer	rhd	1	PR:099,9VJ
(12)	991 645 566 00	Subwoofer	rhd	1	PR:099,9VL
13	999 073 382 01	Bolt with washer M 6 X 20		3	PR:680,682

Model: 991-16

Model life 2017>>



Model: 991-16

Model life 2017>>

Pos	Part Number	Description	Remark	Qty	Model
1	9A7 645 443 10	Amplifiers		1	PR:9VL
2	9P1 035 251 B	Holder for amplifier		1	PR:9VL
3	999 084 638 01	Hexagon nut		4	PR:9VL,9VJ
				3	
4	9P1 035 223 B	Amplifiers		1	PR:9VJ
5	9P1 035 465 A	Additional amplifier		1	PR:9VJ
		Subwoofer			
6	991 645 521 00	Bracket for subwoofer	lhd	1	PR:098,9VJ
		Additional amplifier			
(6)	991 645 522 00	Bracket for subwoofer	rhd	1	PR:099,9VJ
		Additional amplifier			
7	900 378 317 01	Hexagon bolt		1	
		M 6 X 25			
-		microphone			
		see illustration:	911-000		