

**Model: 991T13****Model life 2014>>**

## Model Overview Sales Type

Sales term	Description	Mounting time	Remark
991430	Turbo	05/13	
991431	Turbo	05/13	
991450	Turbo S	05/13	
991451	Turbo S	05/13	
991480	Turbo S Coupé	05/17	
	Exclusive Series		
991481	Turbo S Coupé	05/17	
	Exclusive Series		
991630	Turbo Cabrio	05/13	
991631	Turbo Cabrio	05/13	
991650	Turbo S Cabrio	05/13	
991651	Turbo S Cabrio	05/13	
991860	GT2 RS Coupé	05/17	
991861	GT2 RS Coupé	05/17	

**Model: 991T13**

**Model life 2014>>**

Model Overview EC

EC	Sales term	LTR	KW	Hp	Cyl	Mounting time	Remark
A171		3,80	383	520	6	05/13-05/16	
DAB		3,80	397	539	6	05/17	
DABA		3,80	397	539	6	05/16	
DBC		3,80	426	579	6	05/17	
DBCA		3,80	426	579	6	05/16	
DCB		3,80	446	606	6	05/17	
DHNA		3,80	515	700	6	05/17	

**Model: 991T13****Model life 2014>>**

## Model Overview TC

TC	Sales term	Type	Mounting time	Remark
CG155		7C	05/13-05/16	
CG160		7C	05/16	
CG180		7C	05/17	

Model: 991T13 Model life 2014>>

VIN-Numbers Overview

Model	year	Date	VIN	Remark
2014		01.06.2013	99-ES160061	>99-ES166000 991 Turbo
2014		01.06.2013	A9-ES166061	>A9-ES170000 991 Turbo (USA, CDN)
2014		01.06.2013	99-ES166061	>99-ES170000 991 Turbo (KOR, CN, MEX, BR)
2015		01.06.2014	99-FS160061	>99-FS172000 991 Turbo
2015		01.06.2014	A9-FS160061	>A9-FS172000 991 Turbo (USA, CDN)
2015		01.06.2014	99-FS172061	>99-FS182000 991 Turbo Cabrio
2015		01.06.2014	99-FS160061	>99-FS172000 991 Turbo (KOR, CN, MEX, BR)
2015		01.06.2014	99-FS172061	>99-FS182000 991 Turbo Cabrio (KOR, CN, MEX, BR)
2015		01.06.2014	A9-FS172061	>A9-FS182000 991 Turbo Cabrio (USA, CDN)
2016		01.06.2015	99-GS160061	>99-GS166000 991 Turbo
2016		01.06.2015	A9-GS166061	>A9-GS172000 991 Turbo (USA, CDN)
2016		01.06.2015	99-GS172061	>99-GS178000 991 Turbo Cabrio
2016		01.06.2015	99-GS166061	>99-GS172000 991 Turbo (KOR, CN, MEX, BR)
2016		01.06.2015	99-GS178061	>99-GS182000 991 Turbo Cabrio (KOR, CN, MEX, BR)
2016		01.06.2015	A9-GS178061	>A9-GS182000 991 Turbo Cabrio (USA, CDN)
2017		01.06.2016	99-HS160061	>99-HS166000 991 Turbo
2017		01.06.2016	A9-HS166061	>A9-HS172000 991 Turbo (USA, CDN)
2017		01.06.2016	99-HS172061	>99-HS178000 991 Turbo Cabrio
2017		01.06.2016	99-HS166061	>99-HS172000 991 Turbo (KOR, CN, MEX, BR)
2017		01.06.2016	99-HS178061	>99-HS182000 991 Turbo Cabrio (KOR, CN, MEX, BR)
2017		01.06.2016	A9-HS178061	>A9-HS182000 991 Turbo Cabrio (USA, CDN)
2018		01.06.2017	A9-JS156061	>A9-JS159000 991 Turbo (USA, CDN)
2018		01.06.2017	99-JS156061	>99-JS159000 991 Turbo (KOR, CN, MEX, BR)
2018		01.06.2017	99-JS162061	>99-JS164000 991 Turbo Cabrio (KOR, CN, MEX, BR)
2018		01.06.2017	A9-JS162061	>A9-JS164000 991 Turbo Cabrio (USA, CDN)
2018		01.06.2017	99-JS151061	>99-JS156000 991 Turbo/Turbo S/ Exclusive
2018		01.06.2017	99-JS159061	>99-JS162000 991 Turbo/Turbo S/ Cabrio
2019		01.06.2018	A9-KS140001	>A9-KS142000 991 Turbo (USA, CDN)
2019		01.06.2018	99-KS140001	>99-KS142000 991 Turbo (KOR, CN, MEX, BR)
2019		01.06.2018	99-KS144001	>99-KS146000 991 Turbo Cabrio (KOR, CN, MEX, BR)
2019		01.06.2018	A9-KS144001	>A9-KS146000 991 Turbo Cabrio (USA, CDN)
2019		01.06.2018	99-KS138001	>99-KS140000 991 Turbo/Turbo S/ Exclusive
2019		01.06.2018	99-KS142061	>99-KS144000 991 Turbo/Turbo S/ Cabrio

**Model: 991T13****Model life 2014>>**

## Engine Numbers

Engine number	Model year	Vehicle type	Engine type
__E 00501>60000	2014	991 Turbo	A171
__F 00501>60000	2015	991 Turbo	A171
__G 00501>60000	2016	991 Turbo	A171
__H 00501>60000	2017	991 II Turbo	DABA
__H 00501>60000	2017	991 II Turbo S	DBCA
__J 00501>60000	2018	991 II Turbo C33	DAB
__J 00501>60000	2018	991 II Turbo	DABA
__J 00501>60000	2018	991 II Turbo S C33	DBC
__J 00501>60000	2018	991 II Turbo S	DBCA
__J 00501>60000	2018	991 II Turbo S Exclusive	DBCB
__J 00501>60000	2018	991 II GT2 RS	DHNA

**Model: 991T13****Model life 2014>>**

## Transmission Numbers

Transmission Number	Model year	Vehicle type	Gearbox type
CG155 1 002001>999999	2014	991 Turbo	CG155
CG155 1 002001>999999	2015	991 Turbo	CG155
CG155 1 002001>999999	2016	991 Turbo	CG155
CG160 1 002001>999999	2017	991 II Turbo	CG160
CG160 1 002001>999999	2018	991 II Turbo	CG160
CG180 1 002001>999999	2018	991 II GT2 RS	CG180

Model: 991T13

Model life 2014&gt;&gt;

NR	Description
003	Clubsport package
008	Basic 981/991
009	"s" 981/991
011	Special model GTS (981/991)
012	Special model China Style Edition
013	Special model Black Edition
014	Special model "50 years 911"
019	Special model 911 Carrera 4 GTS
022	Black-coloured instrument dials, instrument cluster
023	Silver -coloured instrument dials, instrument cluster
024	Version for Greece
025	Black-coloured instrument dials, stopwatch
026	Silver-coloured instrument dials, stopwatch
028	Special model 911 Turbo S Exclusive Series
029	Standard chassis
030	Sports suspension
031	Sports chassis with PASM and PDCC
032	Touring suspension
034	Version for Italy
058	Impact absorbers, front and rear
061	Version for Great Britain
062	sweden version
063	Version Luxemburg
064	Version for Netherlands
065	Version for Denmark
066	Version for Norway
067	Version for Finland
068	PAP right-hand drive version
069	Other country version
070	Pedestrian protection
071	EU country version
072	Version for Mexico
073	Version for Russia
074	PAP left-hand drive version
075	Chinese version
082	Fuel tank, 90-litre
092	Turbo S
098	Left-hand drive version
099	Right-hand drive version
111	Version for Austria
113	Version for Canada
114	Version for Taiwan
119	Version for Spain
124	Version for France
126	Control and indications in French lettering
127	Control and indications in Swedish lettering

Model: 991T13

Model life 2014&gt;&gt;

NR	Description
130	Control and indications in English lettering
138	Sports tailpipes, 991 Turbo
140	Dynamic engine mounts (PADM)
145	Compression variant
150	Operation with leaded gas
153	Middle radiator
155	Sound symposer
170	Acoustic package RoW
171	Acoustic package USA
172	Acoustic package PAP, China, Korea
176	Sports exhaust system
181	Standard climatic zones
182	Hot country
183	Super hot country
193	japan version
194	Battery, 60 Ah
195	Battery, 70 Ah
196	Battery, 80 Ah
197	Stronger battery
198	Enhanced starter motor (1.7 kW)
199	Battery disconnection switch
200	95 Ah battery
209	Licence plate holder version 1
210	Licence plate holder version 2
211	Licence plate holder version 3
215	Version for Saudi Arabia
218	Licence plate holder version 4
219	Differential
220	Locking differential 40 %
221	PTV Plus, el. controlled rear-diff. lock
225	Version for Belgium
250	PDK transmission (dual clutch)
254	Manually retractable exterior mirrors
255	Manually retractable exterior mirrors with memory
256	Manually retractable exterior mirrors, with automatic dimming
257	Manually retractable exterior mirrors, with automatic dimming and memory
258	Electrically retractable exterior mirrors
259	Electrically retractable ext. mirrors with memory
260	Electrically retractable exterior mirrors with automatic dimming
261	Electrically retractable exterior mirrors with automatic dimming and memory
263	Left exterior mirror glass, flat



Model: 991T13

Model life 2014&gt;&gt;

NR	Description
264	Left exterior mirror glass, convex
265	Automatic anti-dazzle interior mirror with rain sensor
266	Automatic anti-dazzle door mirror
267	Automatically dimmable interior and door mirrors
268	Rain sensor
270	Door mirrors -flat - driver's side, electrically adjustable and heatable
271	Door mirrors -aspherical- driver's side, electrically adjustable and heatable
273	Door mirrors, electrically adjustable and heatable
274	Vanity mirror, illuminated
275	Manual anti-dazzle interior mirror
276	Automatic anti-dazzle interior mirror
277	Swiss version
284	Right exterior mirror glass, convex
285	Right exterior mirror glass, aspherical
288	Headlamp washer
301	Transmission ratio long
305	Gear lever in Alcantara, Black
308	Selector lever in Alcantara, Black
309	PDK gear selector GTX, leather
310	PDK gear selector EXC
313	Sports seat, left, manual, 2-way
314	Sports seat, right, manual, 2-way
315	Sports seat, left, partially electrical, 4-way
316	Sports seat, right, partially electrical, 4-way
317	Sports seat Plus, left, manual, 2-way
318	Sports seat Plus, right, manual, 2-way
319	Sports seat Plus, left, partially electrical, 4-way
320	Sports seat Plus, right, partially electrical, 4-way
321	Sports seat, left, electrical, 14-way
322	Sports seat, right, electrical, 14-way
323	Sports seat Plus, left, electrical, 18-way
324	Sports seat Plus, right, electrical, 18-way
325	Version for South Africa/New Zealand
335	Automatic seat belt, 3-point,

Model: 991T13

Model life 2014&gt;&gt;

NR	Description
	rear
338	Rear-wheel drive
339	All-wheel drive
340	Wheel rims painted in basic colour
342	Seat heating, left/right seat
345	Heated steering wheel
346	Rims, painted Silver
352	Electronic damper control for PASM and PDCC
357	Lenkung mit zusätzlicher Hubbegrenzung
369	Standard seat, left
370	Standard seat, right
373	Bucket seat, 918 Spyder, left
374	Bucket seat, 918 Spyder, right
375	Sports seat, backrest shell, left
376	Sports seat, backrest shell, right
377	Sports seat, backrest shell, left, electrically adjustable
378	Sports seat, backrest shell, right, electrically adjustable
388	Sports bucket seat, left
389	Sports bucket seat, right
392	17-inch Carrera wheel
393	17-inch Boxster II wheel (987)
395	BOXSTER IIII 18" wheel
396	18" Cayman (III) wheel
397	18-inch Boxster II wheel (987)
398	19" Cayman S wheel
400	Boxster S III 19" wheel
401	18-in. Cayman S wheel
402	Carrera 3 wheel 18-inch
403	Carrera S wheel 19-inch
404	19" Turbo-1 wheel
405	Carrera Classic wheel 19-inch
406	Carrera GT wheel 19-inch/20-inch
407	SportDesign wheel 19-inch
410	18" Turbo-2/Panamera wheel
411	18-inch Carrera wheel -->2005 19-inch Carrera wheel 2012-->
414	Carrera S Facelift 18" wheel
415	18-inch Turbo-Look II wheel
416	18-inch GT3 wheel
418	18-inch Turbo II wheel in GT Silver
419	Carrera S Facelift 19" wheel
421	Turbo 2 wheel, 19"
422	Turbo wheel, 19", central lock
423	20-inch Carrera S wheel (III)

Model: 991T13

Model life 2014&gt;&gt;

NR	Description
424	CD storage unit
425	Rear window wiper
426	Without rear window wiper
427	20-inch Carrera Classic wheel (II)
428	20-inch Sport Design wheel (II)
429	20" 911 Turbo III wheel
431	Central wheel lock, GT3, 20" wheel
432	19" Carrera wheel (6)
435	911 Turbo S wheel, 20" central lock
437	Comfort seat, left, electrically adjustable
438	Comfort seat, right, electrically adjustable
439	20" 911 Turbo 4 wheel
440	Antenna diversity
441	Basic sound package
444	Anti-theft lock, wheel bolts "THATCHAM"
446	Concave wheel centers with full-colour Porsche Crest
447	Emergency wheel
448	Brake pad; sport version
449	911 Turbo Sport 3 20" wheel
450	Ceramic brake (PCCB)
451	991-II GTX-RS wheel 20/21" Central locking Aluminium
452	991-II GTX-RS wheel 20/21" Central locking Magnesium
453	Wheel cover in black, coloured emblem
454	Automatic speed control
456	Automatic distance control (ACC)
457	Lane change assist
458	Lane departure warning
459	3-spoke airbag steering wheel, touch + feel
460	20" RS Spyder Design wheel
461	External antenna
465	Rear fog light, left
466	Rear fog light, right
468	911 Turbo CFK wheel, 20" central lock
470	Rear-axle steering
474	Front-axle lift function
475	"PASM" electronic damper control
476	Porsche Stability Management (PSM)
477	PASM w/o lowering
478	Central wheel lock
479	Version for Australia
480	6-speed manual transmission
482	Tire Pressure Monitoring TPM, 433 MHz

Model: 991T13

Model life 2014&gt;&gt;

NR	Description
483	315-MHz TPM, Tire Pressure Monitoring
484	Version for USA
487	7-speed manual transmission
488	Inscriptions in German language
489	Multi-function operation + steering wheel heating
490	Sound system "ASK"
492	Headlights for left-hand traffic
493	Balance weights, Black
498	Deletion of model designation on rear end
499	Version for Germany
501	Car cover
509	Fire extinguishers
513	Lumbar support, right seat
514	GTS logo with model designation in Silver
515	GTS logo with model designation in Black
521	Tilt sensor
523	Immobiliser, 434 MHz
524	Immobilizer, central locking, 433 MHz
525	Immobilizer, central locking, 315 MHz
528	Door mirror, standard
529	SportDesign exterior mirror
532	Alarm system remote control omitted
533	Radio convertible-top operation omitted
534	Theft security system, 433 MHz
535	Theft security system, 315 MHz
536	-07 Alarm siren and tilt sensor 08- Alarm siren
537	Seat position control for comfort seat, left
538	Seat position control for comfort seat, right
539	Mechanical seat height adjustment, left
540	Mechanical seat height adjustment, right
541	Active seat ventilation (incl. heated seats)
542	Active seat ventilation, front and rear (incl. heated seats)
543	Electric seat height adjustment Passenger's side
544	Anti-theft protection without infrared monitoring, 433 MHz
545	Anti-theft protection without infrared monitoring, 315 MHz
546	Roll-over bar in exterior colour
547	Roll-over bar in Aluminium Look
549	Roof Transport System

Model: 991T13

Model life 2014&gt;&gt;

NR	Description
550	Hardtop
551	Wind deflector
552	Electric wind deflector
553	Version for USA, Canada
554	Front spoiler lip included
555	Black seat belts
559	High-gloss mouldings
560	Advanced airbag
562	Airbag, driver's side and front passenger's side
563	Side airbag
566	Front fog lights, white
567	Windscreen tinted, upper part darker coloured
568	Windscreen without shade band
571	Activated charcoal filter
572	Manual air-conditioning system
573	Air conditioner
574	No air conditioning
575	Luggage compartment cooling system
581	Centre console, front
583	Smoker package
584	Storage box on engine cover
586	Lumbar support, left seat
589	Safety cage in Titanium
590	Steel doors
594	Alcantara rooflining
595	Safety cage in Black
599	Aluminium doors
601	Xenon lighting system
602	LED headlights with dynamic cornering light Plus (PDLs Plus)
603	Xenon plus dynamic cornering light
605	LED daytime driving lights
606	Daytime driving lights
607	Garage door opener "Homelink", 315 MHz
608	Garage door opener "Homelink" 433 MHz
610	DVD navigation, "Europe package"
611	DVD navigation South Africa
612	DVD navigation middle east
613	DVD navigation australia
614	DVD navigation asia-pacific
615	DVD navigation system, North America
616	DVD, Navigation Russia
617	DVD Navigation China
618	Phone preparation
619	Mobile phone preparation (BLUETOOTH) without console

Model: 991T13

Model life 2014&gt;&gt;

NR	Description
620	Bi-Xenon plus dynamic cornering light, Black
621	12-V socket, passenger's side, footwell
625	"KESSY" Porsche Entry and Drive
630	Interior light package
631	Traffic sign recognition
632	PDLs+ dynamic high beam
635	Rear ParkAssist
636	Park distance control in front and rear
638	ParkAssist, front, rear and reversing camera
639	Sport Chrono package
640	Sport Chrono Plus package
641	electronic log book
642	Start/Stop function
647	Steering column, mechanically reach/height-adjustable, without ELV
648	Steering column, electrically reach/height-adjustable, without ELV
650	Electrical sliding roof
651	Electric window opener
652	Without sliding/tilting roof
653	External-sliding glass sunroof
655	Steering column with mech. reach/height adjustment
656	Steering column with electric reach/ height adjustment and memory
657	Power steering
658	Servotronic
659	on-board computer
660	Obd 2
661	Stricter emission-control concept
663	Fuel pump activation
664	Orvr
665	-2008 PCM 2, 2009- PCM 3 basic module incl. radio
666	-2008 PCM 2, 2009- PCM 3 telephone (GSM)
668	PCM2 telephone handset
669	PCM 3 - Telephone handset (BLUETOOTH)
670	PCM2 navigation
671	Voice control system
672	-2008 PCM 2, 2009- PCM 3 Offroad navigation
673	Navigation system preparation, China
674	"Vehicle Tracking System" preparation
675	Without radio preparation (Japan navigation system)
676	TV tuner
677	"Driver card" antenna
678	Alarm system connection

Model: 991T13

Model life 2014&gt;&gt;

NR	Description
679	Restart inhibitor
680	BOSE sound package
682	Top Premium sound system
685	Rear seat assembly
686	SAT radio reception XM (SDARS)
688	HD radio reception
689	Preperation for CD autochanger
690	SDARS + HD radio reception
691	Digital radio reception DAB
692	CD autochanger "Porsche"
693	Integrated CD/DVD autochanger
694	CD radio "PORSCHE CDR 24"
696	CD radio, Porsche CDR 31
697	CD radio "Porsche CDR-23"
703	without Clubsport package
711	Omission underbody protection
713	Omission of rear seat assembly
751	PCCB, front axle and rear axle 3K
756	Special model "911 Sport Classic"
788	Painted plastic components, door panel
789	Colour to sample
796	Full leather trim natural leather
798	Full leather trim special leather
799	Full leather trim by choice
801	Makassar Ebony wood package, dark (matt satin finish)
802	Sycamore package, light (matt satin finish)
803	Carbon package
804	GT2 Carbon exterior package
805	Lifestyle package
808	Racetrack package
810	foot mats
811	without door panel trim
812	Door panel trim, galvanised
840	Sports steering wheel (for PDK with paddle)
841	Basic steering wheel Smooth leather
843	Sports steering wheel in Alcantara
844	Multi-function steering wheel Smooth leather
845	Multi-function steering wheel Carbon
847	Multi-function steering wheel Makassar
852	PDLs+ High beam assist
858	Sports steering wheel GT, leather
859	Additional engine cooling measure
870	Universal multimedia interface
877	Sports steering wheel, Alcantara
878	Sports steering wheel, leather
886	12 o'clock marking, red

Model: 991T13

Model life 2014&gt;&gt;

NR	Description
887	12 o'clock marking Yellow
899	Isofix child-seat restraint on front passenger side
911	Model designation 911
912	without identification plate
931	Rear seat covers in Alcantara/leatherette
932	Rear seat covers in Alcantara/leather
936	Seat covers, rear, leather
937	Seat covers, rear, leatherette
939	Seat covers, rear, draped leather
940	Seat covers rear, ruff.leather/leather/leatherette Soft ruffled leather, embossed
946	Seat covers, front, leather/leather/leatherette
948	Front seat covers in fabric/leather/leather
950	Alcantara seat covers, front
951	Seat covers front, Alcantara/leather/leather
970	Two-tone interior
971	"TORO" embossed leather
975	Alcantara interior
980	Leather package
981	Leather equipment, without seat covers
982	Seat covers, front, draped leather/leather/leather
983	Seat covers, front, leather
985	Seat covers, leather/leather/leatherette, 2
990	Seat covers, front, cloth/cloth/leatherette
991	Steering wheel airbag module in leather
998	Leather, natural
999	Passenger compartment monitoring sensor for leather colour of choice
D97	6-cylinder turbo 3.8 L 515 KW GT2-RS
ER1	Regional code "ECE" for radio
ER2	Regional code "RdW" for radio
ER3	Region code "USA" for radio
ER4	Region code "Mexico/NAR2" for radio
ER5	Region code Japan for radio
ER6	Regional code "China" for radio
ER7	Regional code "Korea" for radio
ER8	Regional code "Taiwan" for radio
ER9	Regional code "Rest of Asia" for radio
IY1	Model year period from week 22 to week 45
IY2	Model year period from week 45 to week 22
I8L	Premium radio (2nd gen.)
KK1	Refrigerant R134a
KK3	Refrigerant R1234yf



Model: 991T13

Model life 2014&gt;&gt;

NR	Description
NZ3	ERA/GLONASS (emergency call)
QR0	Without compass
QR4	Sport Chrono package
QR5	Sport Chrono Package Plus
QU1	TV reception + digital radio reception (DAB) MIB
QU8	SAT radio reception, USA
QV0	Without TV/SAT/DAB reception
QV1	With TV reception/TV tuner
QV3	Digital radio reception (DAB)
QV8	HD radio reception and SAT radio XM (SDARS)
UI2	2 X USB/IPOD interface
UI4	Electrical interface for external use, USB and iPod
UX5	Standard valve
UX6	TPM valve, Silver
UX7	TPM valve, Black
XAA	Aerokit Cup
XAF	Turbo aerokit
XAG	Carrera - rear spoiler
XAH	Carrera 4S aerokit
XAJ	Painted sill covers
XAS	Sport Design front apron
XAT	SportDesign package
XAV	Aerokit, Turbo
XAW	Sill cover painted Black
XCA	Dashboard trim strip (3-part) sports seats
XCB	Instrument surround sports seats
XCC	Side air vents sports seats
XCD	Center air vent bracket sports seats
XCE	Rear center console sports seats
XCG	Sports seat backrest in Aluminium Look finish
XCH	Side/centre air vent slats, sports seats
XCK	Rear center console in Galvano Silver
XCL	Instrument surround in Galvano Silver
XCN	Side air vents in Aluminium Look finish (997)
XCW	Aluminium Look trim on belt opening in B-pillar
XCX	Center air vent in Aluminium Look finish
XCZ	Short shifter
XDA	Wheel spokes painted Black
XDG	Rims painted in high-gloss Black
XDH	Wheel centre painted in Platinum
XDJ	Decorative trim on gear lever/selector, painted
XDK	Silky gloss rims, Black Matt
XDM	Decorative dashboard trim, painted
XDP	Instrument cluster frame, painted
XDR	Painted trim on belt opening in B-pillar
XDS	Ignition lock surround in leather

Model: 991T13

Model life 2014&gt;&gt;

NR	Description
XDU	Leather trim on belt opening in B-pillar
XDV	Dashboard end-trim in leather
XDX	Mirror attachment point finisher, leather
XDZ	Selector lever cover in leather
XD9	Wheel painted in body colour
XEA	Passive handset in leather
XES	Preparation, illuminated door entry guard
XEX	Headlights, Black
XEY	LED headlights, dynamic Cornering light
XE8	Gear lever knob aluminium/dark burr maple/leather
XE9	Handbrake lever aluminium/dark burr maple/leather
XFB	Instrument dials painted Bordeaux Red
XFD	Instrument dials in Sand Beige
XFE	Instrument dials in Terracotta
XFF	Instrument dials in Brown/Natural
XFG	Instrument dials in Guards Red
XFH	Instrument dials in Speed Yellow
XFJ	Instrument dials in Carrara White
XFL	Instrument dials painted in Luxor Beige
XFP	Handbrake lever Aluminium II
XFR	Instrument dial painted Racing Yellow
XGB	Decorative dashboard trim, carbon
XGC	Dashboard carbon/Alcantara
XGD	Parking brake handle carbon/Alcantara
XGE	Handle recess insert, carbon
XGK	Stopwatch dials, Luxor Beige
XGL	Stopwatch dials, Racing Yellow
XGM	Stopwatch dials, White
XGN	Stopwatch dials, Guards Red
XGP	Stopwatch dials, Bordeaux Red
XGR	20-inch Sport Classic II wheel, central locking
XHB	Centre console trim in leather
XHC	Shift lever in mahogany
XHD	PDK selector lever in mahogany
XHE	Dashboard trim panel in mahogany
XHF	Multi-function steering wheel in mahogany
XHG	Centre console trim in mahogany
XHH	Shift lever, carbon
XHJ	PDK selector lever, carbon
XHL	Multi-function steering wheel, carbon
XHM	Centre console trim, carbon
XHN	Seat belts in Racing Yellow
XHP	Seat belts in Luxor Beige
XHS	Rear centre tunnel in leather
XHU	Seat belts in Bordeaux Red

Model: 991T13

Model life 2014&gt;&gt;

NR	Description
XHV	Multi-function sports steering wheel, Mahogany
XHW	Multi-function sports steering wheel, Carbon
XHX	Seat belts in Chalk
XHY	Seat belts in Miami Blue
XJJ	Carbon trim on belt opening in B-pillar
XJL	Makassar Ebony side air vent
XJM	Sycamore side air vent
XJN	Makassar Ebony center air vent
XJP	Sycamore center air vent
XJR	Makassar Ebony windscreen defroster panel
XJS	Sycamore windscreen defroster panel
XJT	Makassar Ebony rear center console
XJU	Sycamore rear center console
XJW	Exterior mirror top half, Carbon
XJ4	Leather cover for ignition lock surround
XKB	Side air vent in light burr maple
XKC	Side air vent in dark burr maple
XKD	Side air vent in Carbon
XKG	"Defroster trim in light burr maple; leather"
XKH	"Defroster trim in dark burr maple; leather"
XKJ	Defroster trim in Carbon/leather
XKL	Leather speaker covers
XKM	Speaker covers in light burr maple
XKN	Speaker covers in dark burr maple
XKP	Carbon speaker covers
XKR	Center air vent bracket in light burr maple
XKS	Center air vent bracket in dark burr maple
XLF	Sports exhaust system
XLG	Centre console storage bin cover in Alcantara, with logo
XLJ	Centre console lid in Alcantara with crest
XLK	SportDesign steering wheel, Alcantara
XLL	GT sports steering wheel, Alcantara
XLN	PDK selector lever, Alcantra
XLS	Sports tailpipe 98X
XLT	Sports tailpipes, 997
XLU	Sun visors, Alcantara
XMA	Rooflining in leather
XME	Rear section of centre console painted
XMF	Front center console including 2 storage bins, leather
XMJ	Rear section of centre console in Carbon
XMK	Roll-over bar in exterior color
XML	Rear center console in light burr maple
XMP	Leather sun visor, 2 illuminated vanity mirrors *
XMR	Sun visor in leather, 2 illuminated vanity mirrors,

Model: 991T13

Model life 2014&gt;&gt;

NR	Description
XMZ	Rear section of centre console in leather
XNB	Rear center console in dark burr maple
XNG	Instrument surround in leather
XNN	Center air vent bracket in leather
XNR	Carbon center air vent bracket
XNS	Leather steering column trim, 4-part
XNU	Leather trim strip (dashboard)
XNV	Trim strip (dashboard) in light burr maple
XNW	Trim strip (dashboard) in dark burr maple
XNX	Carbon trim strip (dashboard)
XN3	Dashboard side air vent in leather
XPA	3-spoke sports steering wheel in leather interior co
XPB	3-spoke sports steering wheel, light burr maple, leather
XPC	3-spoke sports steering wheel, dark burr maple, leather
XPD	3-spoke sports steering wheel, Carbon/leather
XPG	3-spoke sports steering wheel, sports seats
XPL	Privacy glazing
XPR	Rear window with privacy-glazing
XPS	Privacy lightweight glazing
XPT	Centre console storage bin lid with crest
XPU	Multi-function steering wheel Galvano Silver, new generation
XPV	Multi-function steering wheel, Galvano Silver
XPW	Instrument surround in light burr maple
XPX	Instrument surround in dark burr maple *
XPY	Carbon instrument surround
XRB	18-inch Sport Classic II wheel
XRC	18-inch SportTechno wheel
XRL	18-inch SportDesign wheel
XRN	17-mm spacers, rear
XRP	5-mm spacers, front/rear
XRR	19-in. Carrera Sport wheel
XRS	19" Sport Classic WHEEL
XRT	20-inch Sport Techno wheel
XRU	20" Sport Classic wheel
XSA	Painted sports seat backrest
XSB	Leather sports seat backrest
XSC	Porsche Crest embossed in headrest
XSD	Front seat controls in leather
XSE	Bucket seat, left
XSF	Bucket seat, right
XSG	Racing bucket seat, left
XSH	Silver seat belts
XSJ	6-point harness

Model: 991T13

Model life 2014&gt;&gt;

NR	Description
XSL	6-point safety catch
XSM	Racing safety cage
XSN	Omission of rear seats
XSR	Carbon back for bucket seat, right
XSS	Carbon back for bucket seat, left
XST	Seat belts in Sand Beige
XSU	Upholstered seat
XSW	Seat belts in Maritime Blue
XSX	Seat belts in Guards Red
XSY	Seat belts in Speed Yellow
XTG	Inner door sills in leather
XTJ	Door panel parts in light burr maple
XTK	Door panel parts in dark burr maple
XTL	Door panel parts in Carbon
XTR	Door panel parts in Aluminium Look finish
XTT	Makassar Ebony door panel parts
XTU	Sycamore door panel parts
XTV	Leather door panel parts
XTW	Door panel parts in Galvano Silver
XUA	Spoiler lip painted
XUB	Cover on headlight cleaning system, painted
XUC	Model designation painted
XUE	Rear apron painted in exterior colour
XUV	Centre console storage bin lid with logo
XUX	Rear backrest release loop in leather
XVM	Leather center air vent
XVP	Trim strip including cupholder cover in leather
XVR	Side/centre air vent in leather
XVT	Cover for loudspeakers, doors and rear in leather
XV1	Defroster trim in leather
XWA	Door panel trim in leather
XWB	Door panel trim in mahogany
XWC	Door panel trim in carbon
XWD	Door panel trim in brushed aluminium
XWE	Door panel trim, painted
XWJ	Sports seat Plus, painted backrest
XWK	Sports seat Plus, leather backrest
XWL	Sports seat Plus package, leather backrest
XWP	Front seat covers, Alcantara (seat centre strip)
XWR	PDK gate frame in Aluminium Look
XWS	PDK gate frame painted
XWT	PDK gate frame painted Black
XWU	PDK gate frame in leather

Model: 991T13

Model life 2014&gt;&gt;

NR	Description
XXB	Door entry guards, stainless steel, illuminated
XXD	Door entry guards, carbon, illuminated
XXF	Red tail lights
XXG	Tail lights in clear glass look
XXH	Alcantara sun visor
XXJ	Alcantara interior light cover
XXK	Front seat covers in woven leather
XXL	Rear seat covers in woven leather
XXM	Without chequered flag design (seat)
XXP	Tail lights, darkened
XXR	Tail lights, darkened
XXV	Sports-look pedals
XXZ	Footrest
XX1	Floor mats, logo, leather border
XX2	footwell light
XYA	PDK selector lever (EXC)
XYB	Fuel tank cap in Aluminium Look
XYC	Shift lever, aluminium
XYD	Dashboard trim panel, aluminium
XYE	Centre console cover, brushed aluminium
XYG	Centre console trim, painted
XYH	PDK selector lever, aluminium
XY5	Tiptronic gear selector gate in leather
XZB	Carbon centre air vent
XZD	Interior light surround in leather
XZM	Centre tunnel, front, leather
X45	Instrument dial in interior color
X46	Tiptronic selector lever in aluminium/leather
X47	Gear lever knob in Carbon/leather
X50	Powerkit 331/340 kW
X51	Powerkit 250 kW
X54	Stainless steel tailpipes
X58	Handbrake lever in Carbon/leather
X69	Door entry guards in Carbon with logo
X70	Door entry guards in stainless steel with logo
X71	Instrument dial painted/Aluminium Look finish
X72	Gear lever knob aluminium/light burr maple/leather
X73	Sports chassis -20 mm, without PASM
X74	Sports suspension (exclusive)
X75	Differential lock (exclusive)
X76	Inner door sill guard, left/right
X91	Handbrake lever aluminium/light burr maple/leather
X97	Gear lever knob in aluminium/leather
X98	Handbrake lever in aluminium/leather
X99	Natural leather
1T3	First aid kit, warning triangle
7G9	VTS preparation and Porsche Car Connect

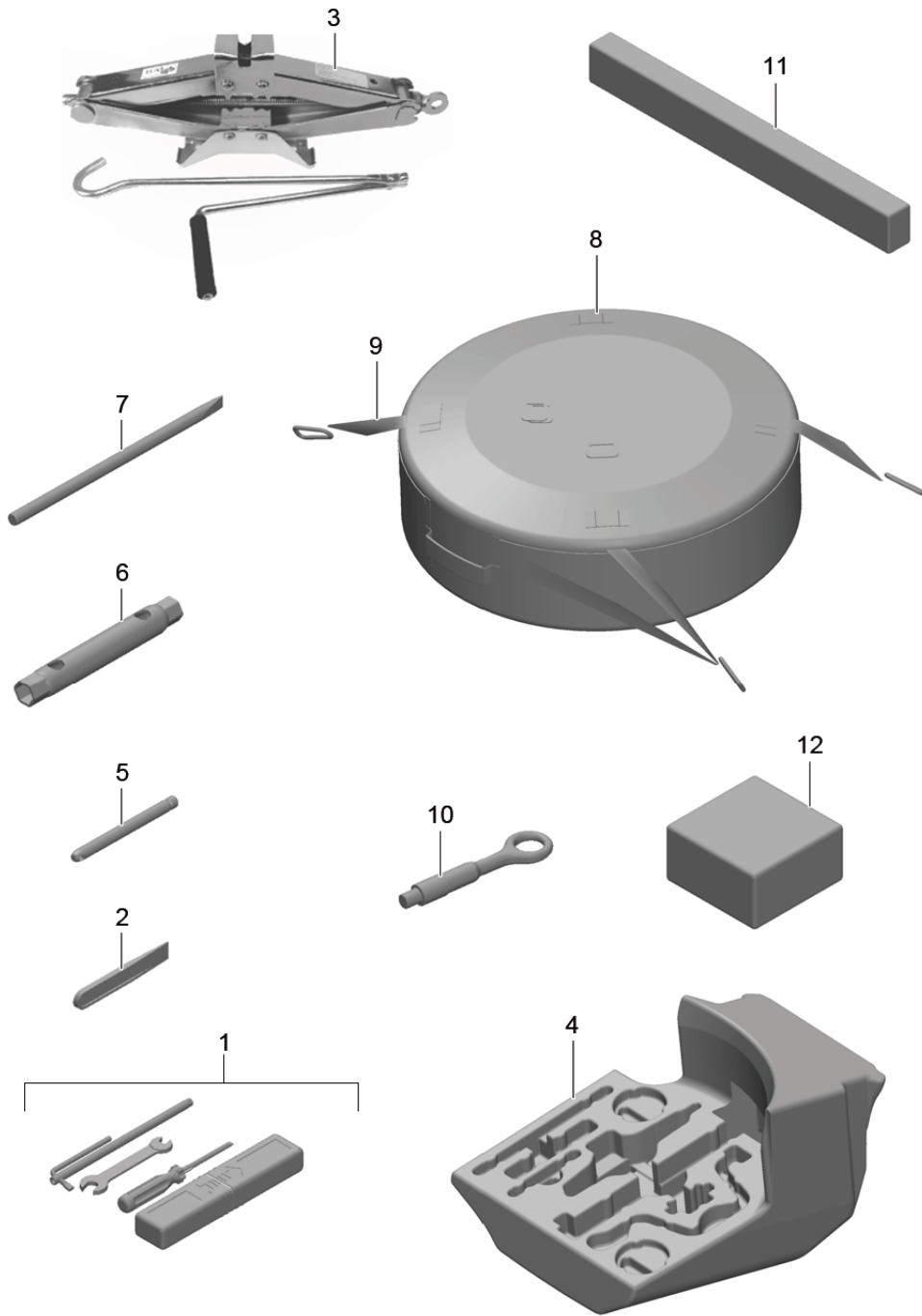
Model: 991T13

Model life 2014&gt;&gt;

NR	Description
	(pcc)
7I0	VTS security package (incl. PCC)
	and keypad
7I2	VTS security package (with PCC)
7UG	Navigation device, High
77J	Navigation software Argentina
77K	Navigation software Chile
8AA	without radio
9NY	electronic log book
9VJ	Burmester High-End sound system
9VK	Sound package 1/sound package
9VL	Bose Premium sound system
9ZC	Telephone module with connection box
9ZE	Mobile-phone preparation with connection box
9ZK	Telephone module
9ZX	Mobile phone preparation

Model: 991T13

Model life 2014>>





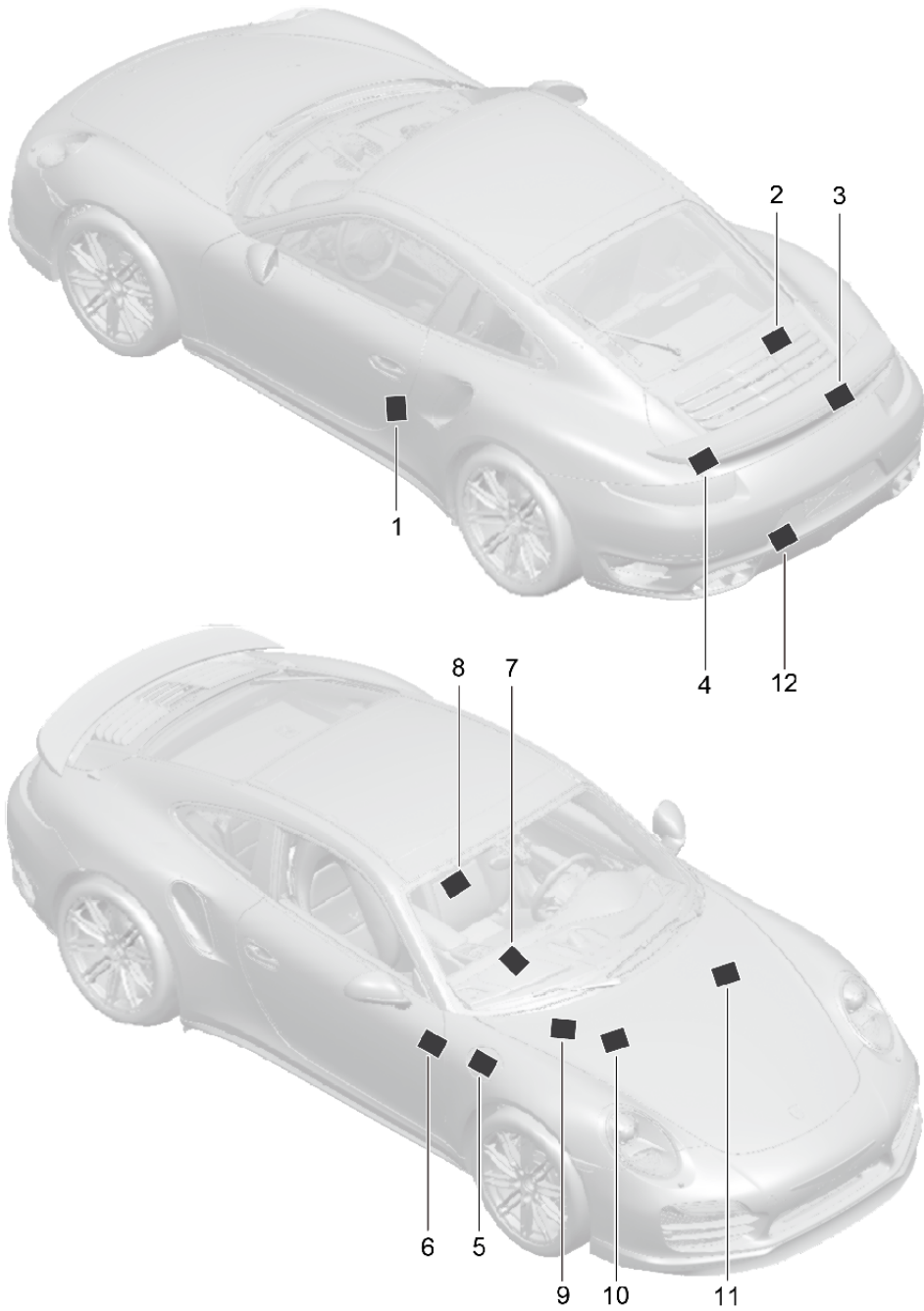
Model: 991T13

Model life 2014>>

Pos	Part Number	Description	Remark	Qty	Model
1	997 721 115 00	Tool jack Toolbox with contents comprising:		1	
-	477 012 229	Double open-ended spanner 10 X 13		1	
-	477 012 231	screwdriver		1	
-	111 012 287	handle for screwdriver		1	
-	999 571 077 02	Socket wrench - 5 - for		1	
2	991 613 299 00	Headlights Assembly tool Release Selector lever lock - PDK -		1	PR:250
3	996 721 211 00	Scissors type jack		1	PR:447
4	991 722 101 00	Foam part		1	PR:447
5	999 571 074 30	Threaded stud for Assembly Wheels		1	PR:447
6	477 012 221 A	wheel bolt wrench		1	PR:447
7	999 571 070 30	operating rod for Rim wrench		1	PR:447
-	996 361 521 00	Protective sleeve		1	PR:447
8	991 722 061 00	Cover Spare wheel		1	PR:447,-450
(8)	991 722 061 01	Cover Spare wheel		1	PR:447,450
9	997 722 073 00	tensioning strap Spare wheel		1	PR:447
10	970 721 551 01	Tow hitch No longer use the part here		1	
(10)	970 721 551 02	Tow hitch		1	
11	8K0 860 251	warning triangle		1	
-		Bracket warning triangle see illustration:	807-000		
12	000 722 041 00	first aid kit		1	
-	970 564 810 00	Emergency operation crank Sunroof		1	PR:651,653

Model: 991T13

Model life 2014>>



Model: 991T13

Model life 2014>>

Pos	Part Number	Description	Remark	Qty	Model
-		Signs/notices Signs/notices		1	
1	991 701 286 30	Tyre pressure Data plate for tyre pressure	TURBO	1	PR:429,482,
(1)	991 701 287 04	Data plate for tyre pressure D >> - MJ 2016		1	483,435 PR:XRU,439,
-	958 701 289 01	Sticker Spare wheel		1	449
1	991 701 287 06	Data plate for tyre pressure	GT2RS	1	
(1)	991 701 287 62	Data plate for tyre pressure		1	
(1)	991 701 287 63	Data plate for tyre pressure		1	
-		Signs/notices Signs/notices			
3	7PP 010 751 C	Engine specifications Sticker		1	PR:068
3	955 006 675 00	Sticker Motor fan		1	PR:193 "J.."
3	7PP 010 786 T	Sticker engine oil		1	
4	9P1 010 867 M	- MOBIL 1 - Sticker Reservoir		1	PR:193 "J.."
-		Signs/notices Type of fuel			
5	991 006 117 00	Sticker 98 ROZ		1	PR:-075
5	991 006 117 04	Sticker 98 ROZ		1	PR:075
5	991 006 117 02	Sticker 96 ROZ		1	PR:479 "AUS"
5	991 006 117 03	Sticker 93 RON/MON/2		1	PR:193 "J.."
5	955 701 676 15	sticker for fuel filler neck		1	PR:193 "J.."
5	955 701 676 10	Sticker Fuel filler flap		1	PR:193 "J.."
6	955 701 435 00	Warning sign Airbag		1	PR:-075, -215,-479, -553 -"CN."
6	955 701 435 10	Warning sign Airbag		1	
(6)	955 701 435 20	Warning sign Airbag		1	PR:215 "PME"
(6)	955 701 435 30	Warning sign Airbag		1	PR:479 "AUS"
(6)	970 701 523 00	Sticker Recycling		1	PR:193 "J.."
8	991 701 531 00	Sticker Airbag		2	PR:193 "J.."
9	991 701 141 00	Sticker Air conditioning		1	PR:-193 -"J.."
(9)	991 701 521 00	Sticker		1	PR:193

Model: 991T13

Model life 2014>>

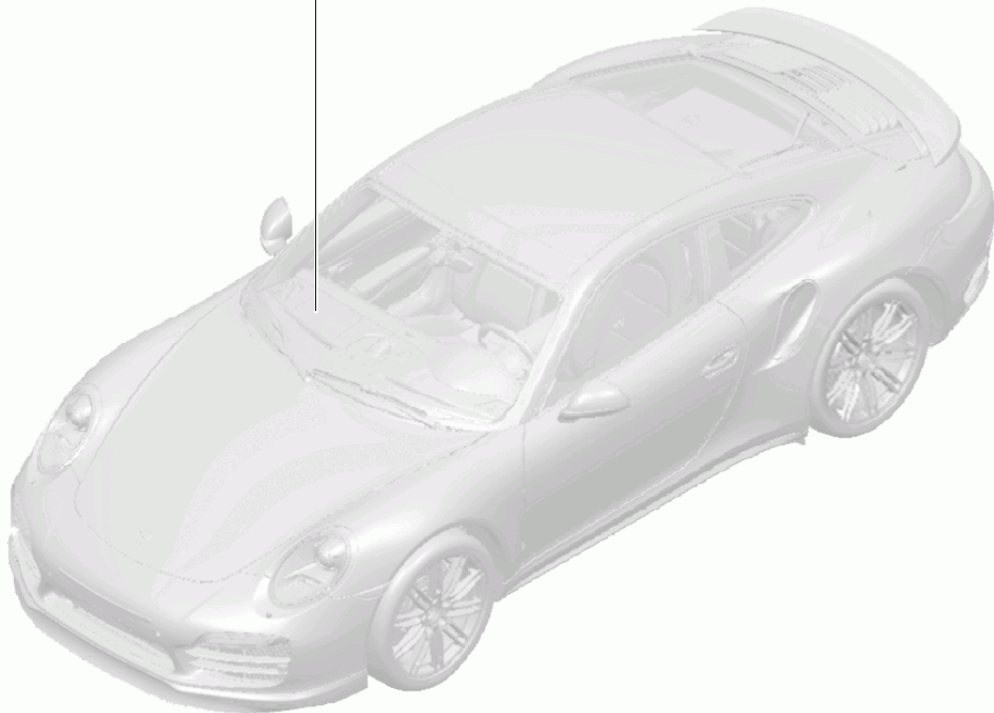
Pos	Part Number	Description	Remark	Qty	Model
10	955 701 673 00	Air conditioning Sticker		1	"J.." PR:193
11	955 701 675 05	Battery Sticker		1	"J.." PR:193
12	955 701 675 15	brake fluid Sticker Import Japan		1	"J.." PR:193 "J.."

Model: 991T13

Model life 2014>>

PROD.NUMMER PROD. NUMBER	888 0815
FIN VIN	WP1ZZZ12345678912
TYP TYPE	9PAAG1
MOTORKB./GETR.KB ENG. CODE/TRANS. CODE	M5502/C7050
VERTRIEBSFARBCODE SALESNO.	G1
AUSSTATTUNGSCODE INTERIOR CODE	AT
FARBCODE COLOR CODE	6B8

7P5.010.732.1



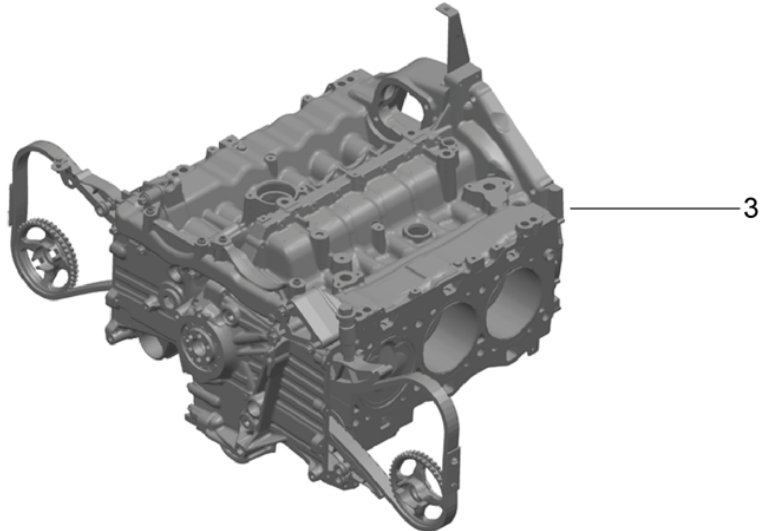
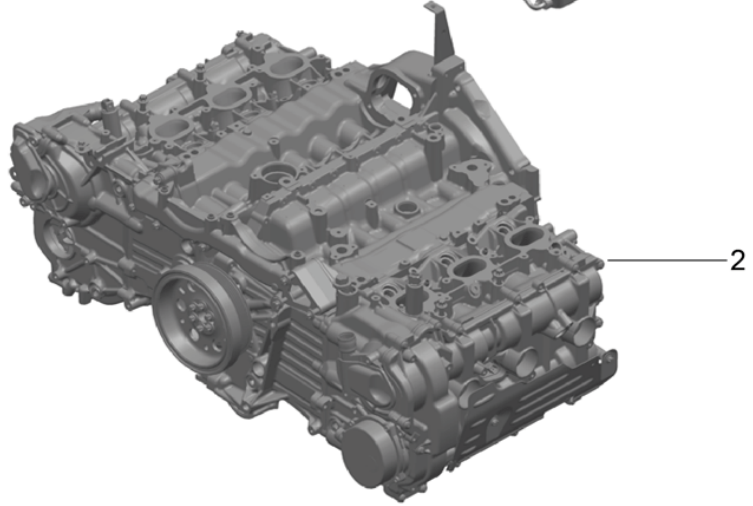
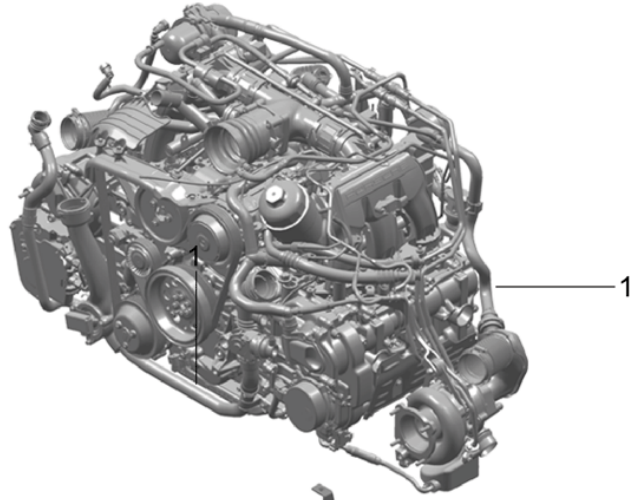
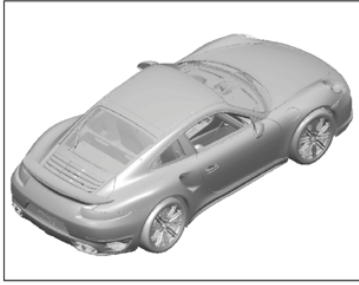
Model: 991T13

Model life 2014>>

Pos	Part Number	Description	Remark	Qty	Model
-		paint touch-up applicator Paints Paint identification label see Vehicle wallet Vehicle data carrier			
-	911 095 932 20	paint touch-up applicator		X	
	911 095 932 20 041	Black			A 1
	911 095 932 20 80K	guards red (Porsche)			G 1
	911 095 932 20 1S1	Racing Yellow			P 3
	911 095 932 20 C9A	white			O Q
-	911 095 933 20	Paint pen set Set comprising: base paint clear paint		X	
	911 095 933 20 C9Z	Basalt black metallic			Z 4
	911 095 933 20 M7Z	GT Silver Metallic			U 2
	911 095 933 20 M5X	Dark blue metallic			N 4
	911 095 933 20 M8S	Anthracite Brown Metallic			G 0
	911 095 933 20 M7S	Achat Grey Metallic			N 0
	911 095 933 20 5P1	Lime Gold Metallic			R 2
	911 095 933 20 M8Y	Mahogany Metallic			Y 8
	911 095 933 20 8L1	Amaranth Red Metallic			L 6
	911 095 933 20 M7U	Rhodium Silver Metallic			S 2
	911 095 933 20 M5J	Sapphire Blue Metallic			N 1

Model: 991T13

Model life 2014>>



Model: 991T13 Model life 2014>>

Pos	Part Number	Description	Remark	Qty	Model
		Replacement engine without: Clutch plate - PDK - Gearbox without: flywheel Manual gearbox with: Compressor Air conditioning Exhaust gas turbocharger			A171
1	9A1 100 971 00	Replacement engine D - MJ 2014>> - MJ 2014		1	A171+ PR:475,573
1	9A1 100 971 X	Replacement engine D - MJ 2014>> - MJ 2014		1	A171+ PR:475,573
1	9A1 100 971 01	Replacement engine D - MJ 2014>> - MJ 2014		1	A171+ PR:352,573, -092
1	9A1 100 971 AX	Replacement engine D - MJ 2014>> - MJ 2014		1	A171+ PR:352,573, -092
1	9A1 100 971 02	Replacement engine D - MJ 2014>> - MJ 2014	Turbo S	1	A171+ PR:352,573, 092
1	9A1 100 971 BX	Replacement engine D - MJ 2014>> - MJ 2014	Turbo S	1	A171+ PR:352,573, 092
1	9A1 100 971 03	Replacement engine D - MJ 2015>> - MJ 2015		1	A171+ PR:475,573
1	9A1 100 971 CX	Replacement engine D - MJ 2015>> - MJ 2015		1	A171+ PR:475,573
1	9A1 100 971 04	Replacement engine D - MJ 2015>> - MJ 2015		1	A171+ PR:352,573, -092
1	9A1 100 971 DX	Replacement engine D - MJ 2015>> - MJ 2015		1	A171+ PR:352,573, -092
1	9A1 100 971 05	Replacement engine D - MJ 2015>> - MJ 2015	Turbo S	1	A171+ PR:352,573, 092
1	9A1 100 971 EX	Replacement engine D - MJ 2015>> - MJ 2015	Turbo S	1	A171+ PR:352,573, 092
1	9A1 100 971 06	Replacement engine D - MJ 2016>>		1	A171+ PR:475,573
1	9A1 100 971 FX	Replacement engine D - MJ 2016>>		1	A171+ PR:475,573
1	9A1 100 971 07	Replacement engine D - MJ 2016>>		1	A171+ PR:352,573, -092
1	9A1 100 971 GX	Replacement engine D - MJ 2016>>		1	A171+ PR:352,573, -092
1	9A1 100 971 08	Replacement engine D - MJ 2016>>	Turbo S	1	A171+ PR:352,573, 092
1	9A1 100 971 HX	Replacement engine D - MJ 2016>>	Turbo S	1	A171+ PR:352,573, 092
1	9A1 100 971 09	Replacement engine D - MJ 2016>>		1	A171+ PR:475,573
1	9A1 100 971 JX	Replacement engine		1	A171+



Model: 991T13 Model life 2014>>

Pos	Part Number	Description	Remark	Qty	Model
1	9A1 100 971 10	D - MJ 2016>> Replacement engine		1	PR:475,573 A171+
1	9A1 100 971 KX	D - MJ 2016>> Replacement engine		1	PR:352,573, -092 A171+
1	9A1 100 971 11	D - MJ 2016>> Replacement engine	Turbo S	1	PR:352,573, -092 A171+
1	9A1 100 971 LX	D - MJ 2016>> Replacement engine	Turbo S	1	PR:352,573, 092 A171+
2	9A1 100 971 60	Base engine comprising: Crankcase housing Cylinder head Valve cover Connecting rod Crankshaft piston oil pump timing chain Parts kit  without: Gaskets		1	A171+ PR:-352
		also use:	999 073 589 01	18	
			997 111 217 70	2	
			999 170 228 90	6	
			948 107 222 00	1	
			948 107 322 00	1	
2	9A1 100 971 RX	Base engine comprising: Crankcase housing Cylinder head Valve cover Connecting rod Crankshaft piston oil pump timing chain Parts kit  without: Gaskets		1	A171+ PR:-352
		also use:	999 073 589 01	18	
			997 111 217 70	2	
			999 170 228 90	6	
			948 107 222 00	1	
			948 107 322 00	1	
-	997 111 107 31	Seal Exhaust manifolds Base engine 9A110097160/RX TEILESATZ DICHTUNGEN  also use:		2	A171+  PR:-352
			9A1 110 866 04	6	
			999 701 112 41	6	
			9A1 110 524 02	6	
			900 906 011 02	6	
			9A1 110 520 01	6	
			999 704 020 90	6	
			999 707 643 40	1	
			999 707 404 40	2	

Model: 991T13

Model life 2014>>

Pos	Part Number	Description	Remark	Qty	Model
-	9A1 110 215 01	Seal intake air distributor Base engine 9A110097160/RX Parts kit for seals Accessories	9A1 106 226 03 9A1 106 559 00	1 1 6	A171+ PR:-352
		also use:	999 707 348 40 9A1 106 215 00 9A1 106 325 00 9A1 106 326 00 9A1 102 312 40 9A1 102 322 40 999 707 604 40 999 707 589 40	1 2 1 1 1 2 2 2	
(2)	9A1 100 971 65	Base engine comprising: Crankcase housing Cylinder head Valve cover Connecting rod Crankshaft piston oil pump timing chain Parts kit	Turbo /S	1	A171+ PR:352
		without: Gaskets			
		also use:	999 073 589 01 997 111 217 70 999 170 228 90 948 107 222 00 948 107 322 00	18 2 6 1 1	
(2)	9A1 100 971 SX	Base engine comprising: Crankcase housing Cylinder head Valve cover Connecting rod Crankshaft piston oil pump timing chain Parts kit	Turbo /S	1	A171+ PR:352
		without: Gaskets			
		also use:	999 073 589 01 997 111 217 70 999 170 228 90 948 107 222 00 948 107 322 00	18 2 6 1 1	
-	997 111 107 31	Seal Exhaust manifolds Base engine 9A110097165/SX TEILESATZ DICHTUNGEN		2	A171+  PR:352
		also use:	9A1 110 866 04 999 701 112 41 9A1 110 524 02 900 906 011 02 9A1 110 520 01	6 6 6 6 6	

Model: 991T13

Model life 2014>>

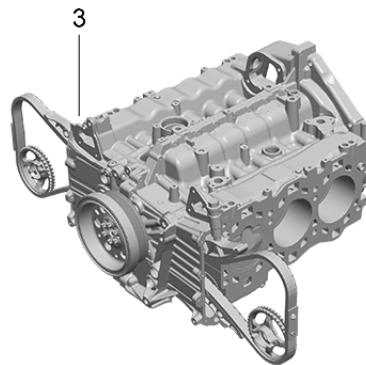
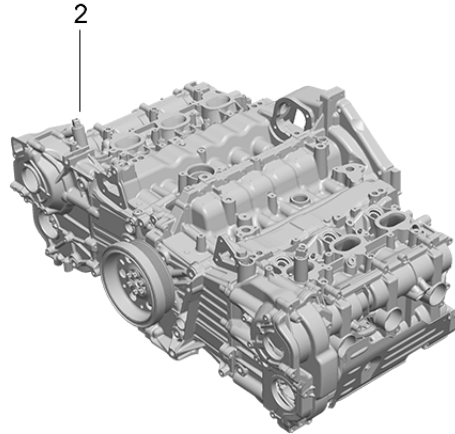
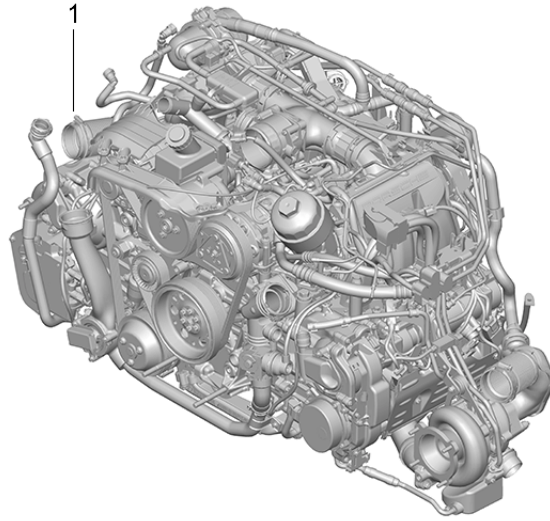
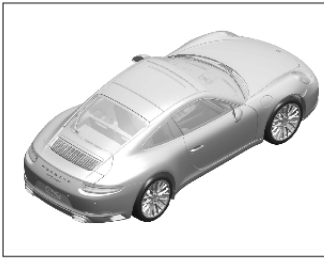
Pos	Part Number	Description	Remark	Qty	Model
-	9A1 110 215 01	Seal intake air distributor Base engine 9A110097165/SX Parts kit for seals Accessories	999 704 020 90 999 707 643 40 999 707 404 40 9A1 106 226 03 9A1 106 559 00 Turbo /S	6 1 2 1 1 6	A171+ PR:352
		also use:	999 707 348 40 9A1 106 215 00 9A1 106 325 00 9A1 106 326 00 9A1 102 312 40 9A1 102 322 40 999 707 604 40 999 707 589 40	1 2 1 1 1 2 2 2	
3	9A1 100 971 50	Short block comprising: Crankcase housing Connecting rod Crankshaft piston oil pump timing chain Parts kit			A171
		Gaskets	without:		
		also use:	999 073 589 01 997 111 217 70 999 170 228 90 948 107 222 00 948 107 322 00 9A1 107 465 01 999 707 594 40 999 707 595 40	18 2 6 1 1 1 1 1	
3	9A1 100 971 TX	Short block comprising: Crankcase housing Connecting rod Crankshaft piston oil pump timing chain Parts kit			A171
		Gaskets	without:		
		also use:	999 073 589 01 997 111 217 70 999 170 228 90 948 107 222 00 948 107 322 00 9A1 107 465 01 999 707 594 40 999 707 595 40	18 2 6 1 1 1 1 1	
-	9A1 104 149 00	Cylinder head gasket Short block 9A110097150/TX TEILESATZ DICHTUNGEN			A171
		also use:	9A1 104 148 00 9A1 110 866 04	1 6	

Model: 991T13 Model life 2014>>

Pos	Part Number	Description	Remark	Qty	Model
-	9A1 110 215 01	Seal intake air distributor Short block 9A110097150/TX Parts kit for seals Accessories	999 701 112 41 9A1 110 524 02 900 906 011 02 9A1 110 520 01 999 704 020 90 999 707 643 40 999 707 404 40 991 111 711 71 9A1 105 731 03 9A1 105 732 03 9A1 106 226 03 9A1 106 559 00 000 043 207 31 997 111 107 31	6 6 6 6 6 1 2 2 1 1 1 1 1 X 2 6	A171
		also use:	999 707 348 40 9A1 106 215 00 9A1 106 325 00 9A1 106 326 00 9A1 102 312 40 9A1 102 322 40 999 707 604 40 9A1 105 339 00 999 707 636 40 999 707 505 40 999 707 504 40 999 707 589 40	1 2 1 1 1 2 2 1 2 1 1 2	
-	9A1 105 153 04	slide rail Short block 9A110097150/TX Parts kit chain tensioner	9A1 105 155 04 9A1 105 101 03 999 707 346 40 900 123 011 21 999 701 066 40	2 2 6 2 2	A171
		also use:			

Model: 991T13

Model life 2014>>



Model: 991T13 Model life 2014>>

Pos	Part Number	Description	Remark	Qty	Model
		Replacement engine without: Clutch plate - PDK - Gearbox with: Compressor Air conditioning Exhaust gas turbocharger			DABA,DAB, DBCA,DBC, DBCB
1	9A2 100 972 02	Replacement engine D - MJ 2017>>		1	DABA,DAB+ PR:250,475, 573
1	9A2 100 972 BX	Replacement engine D - MJ 2017>>		1	DABA,DAB+ PR:250,475, 573
1	9A2 100 972 00	Replacement engine D - MJ 2017>>	PDCC	1	DABA,DAB+ PR:250,352, 573,-092
1	9A2 100 972 X	Replacement engine D - MJ 2017>>	PDCC	1	DABA,DAB+ PR:250,352, 573,-092
1	9A2 100 972 01	Replacement engine D - MJ 2017>>	Turbo S	1	DBCA,DBC+ PR:092,250, 352,573
1	9A2 100 972 AX	Replacement engine D - MJ 2017>>	Turbo S	1	DBCA,DBC+ PR:092,250, 352,573
2	9A2 100 972 60	Base engine comprising: Crankcase housing Cylinder head Valve cover Connecting rod Crankshaft piston oil pump timing chain Parts kit without: Gaskets		1	DABA,DAB
		also use:	999 073 589 01	18	
			997 111 217 70	2	
			948 107 222 00	1	
			948 107 322 00	1	
2	9A2 100 972 RX	Base engine comprising: Crankcase housing Cylinder head Valve cover Connecting rod Crankshaft piston oil pump timing chain Parts kit without: Gaskets		1	DABA,DAB
		also use:	999 073 589 01	18	
			997 111 217 70	2	
			948 107 222 00	1	
			948 107 322 00	1	
-	997 111 107 31	Seal		2	DABA,DAB

Model: 991T13

Model life 2014>>

Pos	Part Number	Description	Remark	Qty	Model
-	9A1 110 215 01	Exhaust manifolds Base engine 9A210097260/RX Parts kit for seals  also use:	946 110 228 60 999 701 187 41 9A1 110 524 02 946 110 628 60 9A2 110 328 00 946 110 428 60 999 707 643 40 999 707 404 40 9A1 106 226 03 9A1 106 559 00	6 6 6 6 6 6 1 2 1 1	DABA, DAB
-	9A1 110 215 01	Seal intake air distributor Base engine 9A210097260/RX Parts kit for seals Accessories  also use:	999 707 348 40 9A1 106 215 00 9A1 106 325 00 9A1 106 326 00 9A1 102 312 40 9A1 102 322 40 999 707 604 40 999 707 589 40	1 2 1 1 1 2 2 2	DABA, DAB
2	9A2 100 972 65	Base engine comprising: Crankcase housing Cylinder head Valve cover Connecting rod Crankshaft piston oil pump timing chain Parts kit  without: Gaskets  also use:	999 073 589 01 997 111 217 70 948 107 222 00 948 107 322 00	18 2 1 1	DBCA, DBC
2	9A2 100 972 SX	Base engine comprising: Crankcase housing Cylinder head Valve cover Connecting rod Crankshaft piston oil pump timing chain Parts kit  without: Gaskets  also use:	999 073 589 01 997 111 217 70 948 107 222 00 948 107 322 00	18 2 1 1	DBCA, DBC
-	997 111 107 31	Seal	999 073 589 01 997 111 217 70 948 107 222 00 948 107 322 00	18 2 1 1	DBCA, DBC

Model: 991T13 Model life 2014>>

Pos	Part Number	Description	Remark	Qty	Model
		Exhaust manifolds Base engine 9A210097265/SX Parts kit for seals			
			also use:		
			946 110 228 60	6	
			999 701 187 41	6	
			9A1 110 524 02	6	
			946 110 628 60	6	
			9A2 110 328 00	6	
			946 110 428 60	6	
			999 707 643 40	1	
			999 707 404 40	2	
			9A1 106 226 03	1	
			9A1 106 559 00	1	
-	9A1 110 215 01	Seal intake air distributor Base engine 9A210097265/SX Parts kit for seals Accessories		6	DBCA,DBC
			also use:		
			999 707 348 40	1	
			9A1 106 215 00	2	
			9A1 106 325 00	1	
			9A1 106 326 00	1	
			9A1 102 312 40	1	
			9A1 102 322 40	2	
			999 707 604 40	2	
			999 707 589 40	2	
3	9A2 100 972 50	Short block comprising: Crankcase housing Connecting rod Crankshaft piston oil pump timing chain Parts kit		1	DABA,DAB, DBCA,DBC
			without:		
		Gaskets			
			also use:		
			999 073 589 01	18	
			997 111 217 70	2	
			9A1 106 226 03	6	
			948 107 222 00	1	
			948 107 322 00	1	
			9A1 107 465 01	1	
			999 707 594 40	1	
			999 707 595 40	1	
3	9A2 100 972 TX	Short block comprising: Crankcase housing Connecting rod Crankshaft piston oil pump timing chain Parts kit		1	DABA,DAB, DBCA,DBC
			without:		
		Gaskets			
			also use:		
			999 073 589 01	18	
			997 111 217 70	2	
			9A1 106 226 03	6	
			948 107 222 00	1	
			948 107 322 00	1	



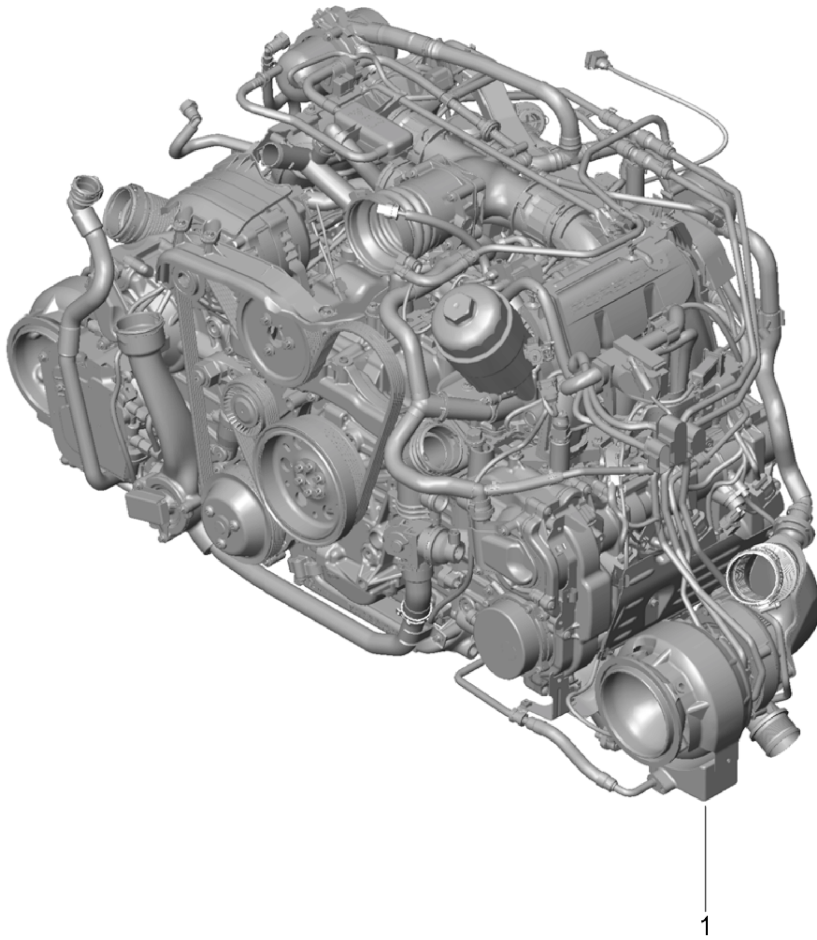
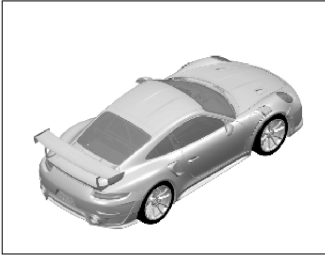
Model: 991T13

Model life 2014>>

Pos	Part Number	Description	Remark	Qty	Model
-	9A1 104 149 00	Cylinder head gasket Short block 9A210097250/TX Parts kit for seals	9A1 107 465 01 999 707 594 40 999 707 595 40	1 1 1 1	DABA, DAB, DBCA, DBC
		also use:	9A1 104 148 00 9A1 110 866 04 999 701 187 41 9A1 110 524 02 946 110 628 60 9A2 110 328 00 946 110 428 60 999 707 643 40 999 707 404 40 997 111 107 31 9A2 105 570 00 9A2 105 580 00 9A1 106 226 03 9A1 106 559 00 000 043 207 31	1 6 6 6 6 6 6 1 2 2 1 1 1 1 1 X	
-	9A1 110 215 01	Seal intake air distributor Short block 9A210097250/TX Parts kit for seals Accessories	also use: 999 707 348 40 9A1 106 215 00 9A1 106 325 00 9A1 106 326 00 9A1 102 312 40 9A1 102 322 40 999 707 604 40 9A1 105 339 00 999 707 636 40 999 707 639 40 999 707 577 40	1 2 1 1 1 2 2 1 2 1 1 1	DABA, DAB, DBCA, DBC
-	9A1 102 322 00	Seal thermostat housing Short block 9A210097250/TX Parts kit for seals Accessories	also use: 999 707 657 40 999 707 517 40 999 707 589 40 999 707 589 40	1 1 2 2 2	DABA, DAB, DBCA, DBC

Model: 991T13

Model life 2014>>



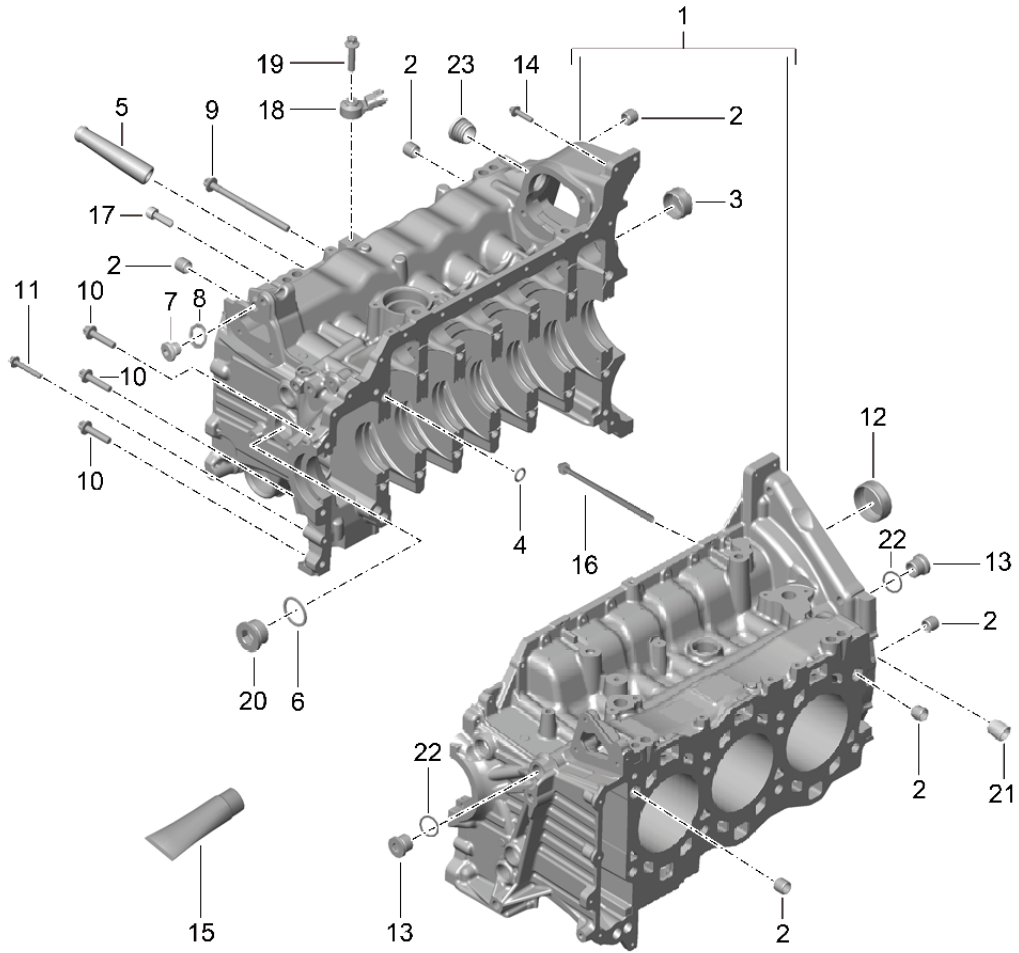
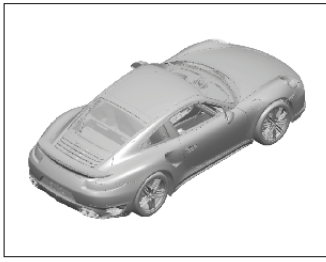
Model: 991T13

Model life 2014>>

Pos	Part Number	Description	Remark	Qty	Model
		Replacement engine - PDK - Gearbox			GT2 RS
		with:			
		Compressor Air conditioning Exhaust gas turbocharger			
1	9A2 100 973 00	Replacement engine D - MJ 2017>>		1	PR:250,475, 573
1	9A2 100 973 X	Replacement engine D - MJ 2017>>		1	PR:250,475, 573

Model: 991T13

Model life 2014>>



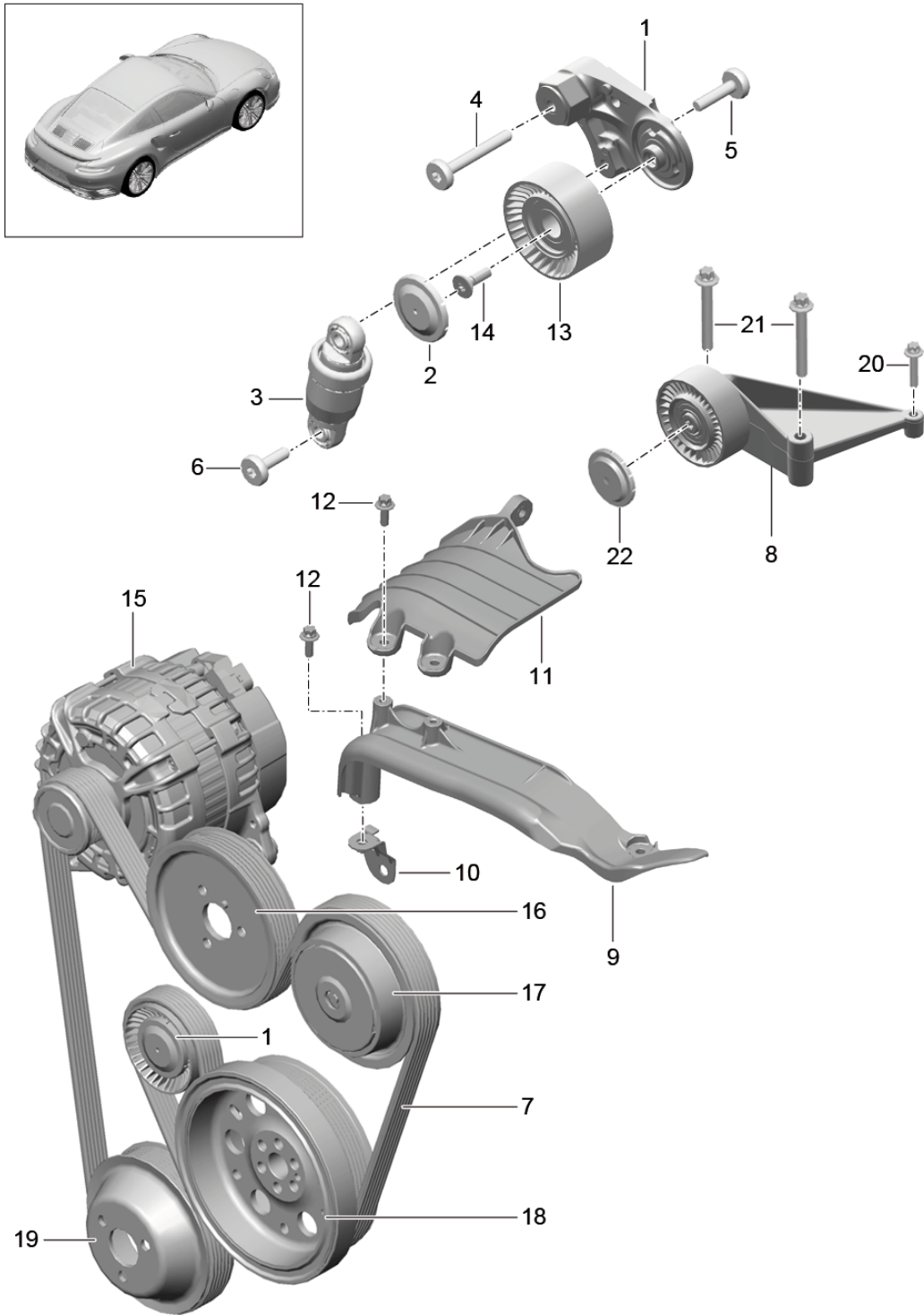
Model: 991T13

Model life 2014&gt;&gt;

Pos	Part Number	Description	Remark	Qty	Model
1	9A1 101 939 21	Crankcase housing		1	
2	014 301 153 B	Crankcase housing dowel sleeve		6	
3	9A1 101 215 01	End cap		1	
4	999 707 568 40	O-ring 12,0 X 3,0		1	
5	9A1 101 511 01	reducing piece		12	
6	900 123 015 30	seal ring A30 X 36		1	A171
6	900 123 172 20	seal ring A30 X 36		1	DABA, DAB, DBCA, DBC, DBCB, DHNA
7	999 063 036 01	sealing plug M10 X 1,0 X 11		4	
8	900 123 160 30	seal ring 10 X 13,5		4	A171
8	900 123 160 20	seal ring 10 X 13,5		4	DABA, DAB, DBCA, DBC, DBCB, DHNA
9	900 385 281 01	Torx screw M8 X 120		1	
10	900 385 042 01	Torx screw M8 X 35		2	
11	900 385 045 01	Torx screw M6 X 40		1	
12	9A1 101 216 01	End cap		1	
13	999 063 039 01	sealing plug M20 X 1,5 X 18		2	
14	900 385 072 01	Torx screw M6 X 25		14	
15	000 043 207 31	sealant 80 ML		X	
16	9A1 101 250 01	Outer hexagon round screw		14	
16	WHT 008 240	Bolt with washer Washer		14	
17	N 105 464 03	Hexagon socket head bolt M6 X 16		2	
18	997 606 121 00	Knock sensor		2	A171
18	0PB 905 377	Knock sensor		2	DABA, DAB, DBCA, DBC, DBCB, DHNA
19	900 385 042 01	Torx screw M8 X 35		2	
20	900 219 025 30	sealing plug M30 X 1,5		1	A171
20	900 219 031 30	sealing plug M30 X 1,5		1	DABA, DAB, DBCA, DBC, DBCB, DHNA
21	996 101 225 50	dowel sleeve		2	
22	900 123 159 30	seal ring 20 X 24		2	A171
22	900 123 159 20	seal ring 20 X 24		2	DABA, DAB, DBCA, DBC, DBCB, DHNA
23	999 703 081 40	Bungs Crankcase housing 22,0 X 28,0		1	
23	999 703 023 40	No longer use the part here Bungs Crankcase housing 22,0 X 28,0		1	

Model: 991T13

Model life 2014>>



Model: 991T13

Model life 2014>>

Pos	Part Number	Description	Remark	Qty	Model
1	9A1 102 211 01	Belt tensioner v-belt lever Tensioning roller		1	
1	9A2 102 211 00	No longer use the part here lever Tensioning roller		1	A171
1	0PB 903 308	lever Tensioning roller	also use: 9A1 102 212 00 999 073 579 01 948 102 839 00	1	DABA, DAB, DBCA, DBC, DBCB, DHNA
2	948 102 839 00	Protective cap		1	
3	948 102 261 00	tensioner Hydraulic		1	
4	999 073 411 01	Hexagon socket flat head bolt M 8 X 60		1	
5	999 073 246 09	Torx screw M 8 X 33		1	A171
5	999 073 246 02	Hexagon socket head bolt M 8 X 33		1	DABA, DAB, DBCA, DBC, DBCB, DHNA
6	999 073 412 01	Torx screw M 8 X 26		1	
7	9A1 102 217 00	v-belt		1	A171, DABA, DAB, DBCA, DBC, DBCB+ PR: 352
(7)	9A1 102 218 00	v-belt		1	A171, DABA, DAB, DBCA, DBC, DBCB+ PR: 475
(7)	0PB 903 137 C	v-belt		1	DHNA+ PR: 475
8	9A1 102 030 01	Console	with:	1	A171, DABA, DAB, DBCA, DBC, DBCB+ PR: 475
8	0PB 145 172	Console	with:	1	DHNA+ PR: 475
9	9A1 102 290 01	track roller Cover		1	
10	9A1 102 295 00	Bracket		1	A171, DABA, DAB, DBCA, DBC, DBCB DHNA
10	0PB 145 515	Bracket		1	
11	9A1 603 290 01	Cover		1	
12	900 385 009 01	Torx screw M 6 X 16		5	
13	9A1 102 212 00	Tensioning roller		1	
14	999 073 579 01	round hd. screw M 10 X 30		1	
15		Alternator	see illustration:	1	902-005
16		pulley Pump	see illustration:	1	402-060
17		pulley Compressor		1	

Model: 991T13

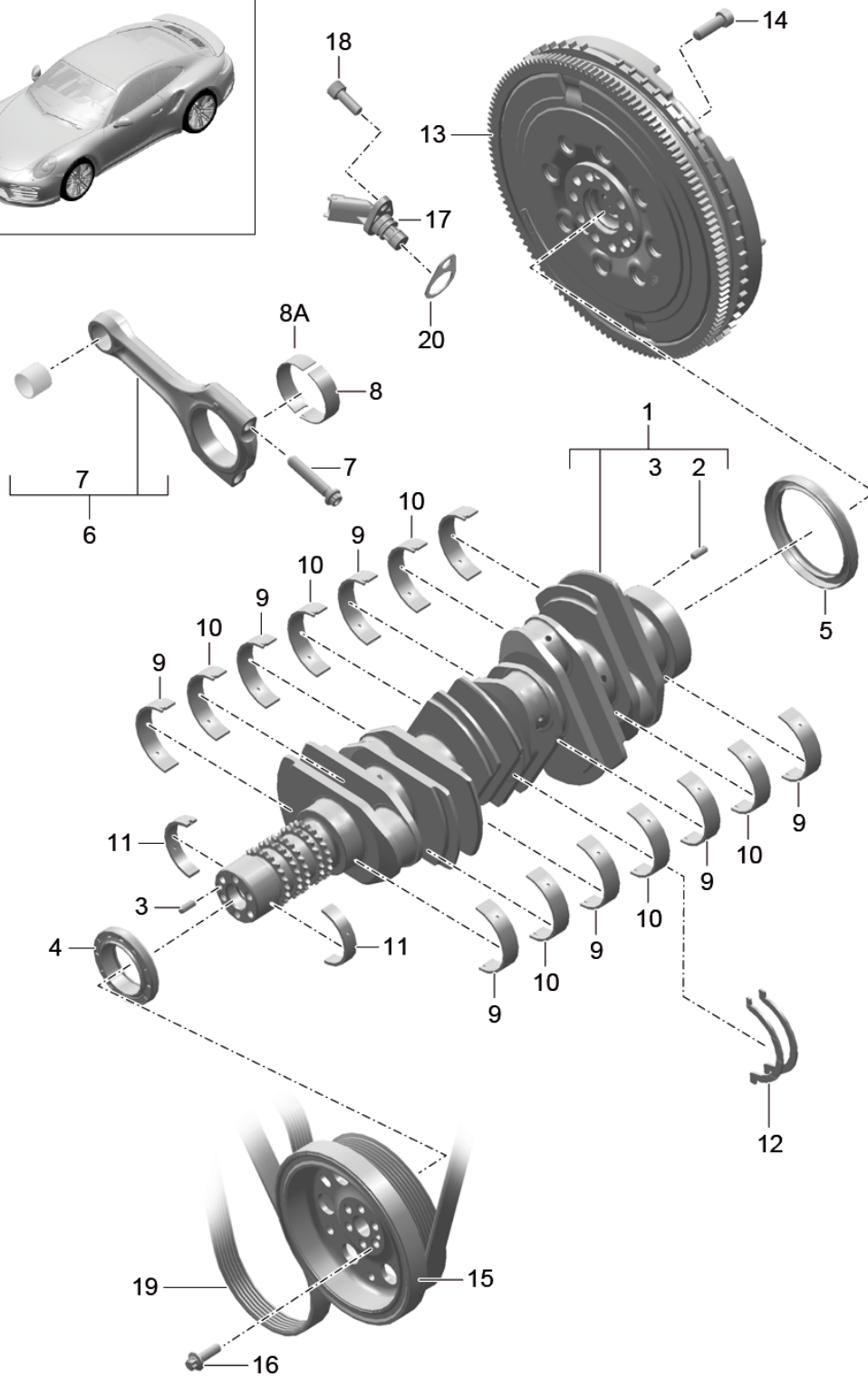
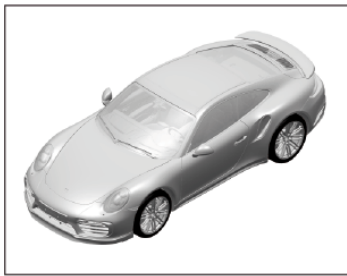
Model life 2014>>

Pos	Part Number	Description	Remark	Qty	Model
18		see illustration: pulley Crankshaft	813-015	1	
19		see illustration: pulley Coolant pump	102-000	1	
20	900 385 048 01	see illustration: Torx screw M6 X 30	105-000	1	
21	900 385 091 01	Hexagon head bolt M8 X 60		2	
22	03G 145 291	Protective cap		1	PR:475



Model: 991T13

Model life 2014>>



Model: 991T13

Model life 2014>>

Pos	Part Number	Description	Remark	Qty	Model
1	9A1 102 077 70	Crankshaft		1	
2	900 095 031 00	Spring pin 6,0 X 16,0		1	
3	900 302 016 00	Cylinder pin 6,0 X 16,0		1	
4	9A1 101 222 02	Shaft oil seal 52,5 X 9		1	A171,DABA, DAB,DBCA, DBC,DBCB
(4)	0PB 105 247	Shaft oil seal 52,5 X 9		1	DHNA
5	997 101 212 01	Shaft oil seal 85 X 105 X 11		1	A171,DABA, DAB,DBCA, DBC,DBCB
5	0PB 105 249	Shaft oil seal 85 X 105 X 11		1	DHNA
6	9A1 103 914 70	Connecting rod Set		1	A171
6	9A1 103 006 70	Connecting rods Set comprising: Connecting rods		6	
6	9A1 103 006 70	Connecting rod Set comprising: Connecting rods		1	DABA,DAB, DBCA,DBC, DBCB,DHNA
7	9A1 103 115 02	bolt - connecting rod M 10 X 1,25 X 51		6	
7	9A1 103 115 02	bolt - connecting rod M 10 X 1,25 X 51		12	
8	9A1 103 053 00	connecting rod bearing shell Identification: >> >> red		12	A171
8	9A1 103 053 03	connecting rod bearing shell Identification: >> >> red		12	DABA,DAB, DBCA,DBC, DBCB
8	0PB 105 701 A	connecting rod bearing shell Identification: >> >> red		12	DHNA
(8)	9A1 103 053 01	connecting rod bearing shell Identification: >> >> yellow		12	A171
(8)	9A1 103 053 04	connecting rod bearing shell Identification: >> >> yellow		12	DABA,DAB, DBCA,DBC, DBCB
(8)	0PB 105 701 B	connecting rod bearing shell Identification: >> >> yellow		12	DHNA
(8)	9A1 103 053 02	connecting rod bearing shell Identification: >> >> blue		12	A171
(8)	9A1 103 053 05	connecting rod bearing shell Identification: >> >> blue		12	DABA,DAB, DBCA,DBC, DBCB
(8)	0PB 105 701 C	connecting rod bearing shell Identification: >> >> blue		12	DHNA
8A	9A1 103 073 06	connecting rod bearing shell Identification: >> >> red		12	A171,DABA, DAB,DBCA, DBC,DBCB
8A	0PB 105 702 A	connecting rod bearing shell Identification: >> >> red		12	DHNA
(8A)	9A1 103 073 07	connecting rod bearing shell Identification: >> >> yellow		12	A171,DABA, DAB,DBCA, DBC,DBCB
(8A)	0PB 105 702 B	connecting rod bearing shell		12	DHNA

Model: 991T13

Model life 2014>>

Pos	Part Number	Description	Remark	Qty	Model
(8A)	9A1 103 073 08	Identification: >> >> yellow connecting rod bearing shell Identification: >> >> blue		12	A171, DABA, DAB, DBCA, DBC, DBCB
(8A)	0PB 105 702 C	connecting rod bearing shell Identification: >> >> blue		12	DHNA
9	9A1 101 064 00	crankshaft bearing Identification: >> >> red		8	A171, DABA, DAB, DBCA, DBC, DBCB
9	0PB 105 591 E	crankshaft bearing Identification: >> >> red		8	DHNA
(9)	9A1 101 064 01	crankshaft bearing Identification: >> >> yellow		8	A171, DABA, DAB, DBCA, DBC, DBCB
(9)	0PB 105 591 F	crankshaft bearing Identification: >> >> yellow		8	DHNA
(9)	9A1 101 064 02	crankshaft bearing Identification: >> >> blue		8	A171, DABA, DAB, DBCA, DBC, DBCB
(9)	0PB 105 591 G	crankshaft bearing Identification: >> >> blue		8	DHNA
10	9A1 101 063 00	crankshaft bearing  with: Partial-groove Identification: >> >> red		6	
(10)	9A1 101 063 01	crankshaft bearing  with: Partial-groove Identification: >> >> yellow		6	
(10)	9A1 101 063 02	crankshaft bearing  with: Partial-groove Identification: >> >> blue		6	
11	9A1 101 052 00	crankshaft bearing Identification: >> >> red		2	A171
11	9A1 101 052 03	crankshaft bearing Identification: >> >> red		2	DABA, DAB, DBCA, DBC, DBCB, DHNA
11	0PB 105 589 E	crankshaft bearing Identification: >> >> red		2	DABA, DAB, DBCA, DBC, DBCB, DHNA
(11)	9A1 101 052 01	crankshaft bearing Identification: >> >> yellow		2	A171
(11)	9A1 101 052 04	crankshaft bearing Identification: >> >> yellow		2	DABA, DAB, DBCA, DBC, DBCB, DHNA
(11)	9A1 101 052 02	crankshaft bearing Identification: >> >> blue		2	A171
(11)	9A1 101 052 05	crankshaft bearing Identification: >> >> blue		2	DABA, DAB, DBCA, DBC, DBCB, DHNA
12	996 101 132 00	thrust washer		2	A171

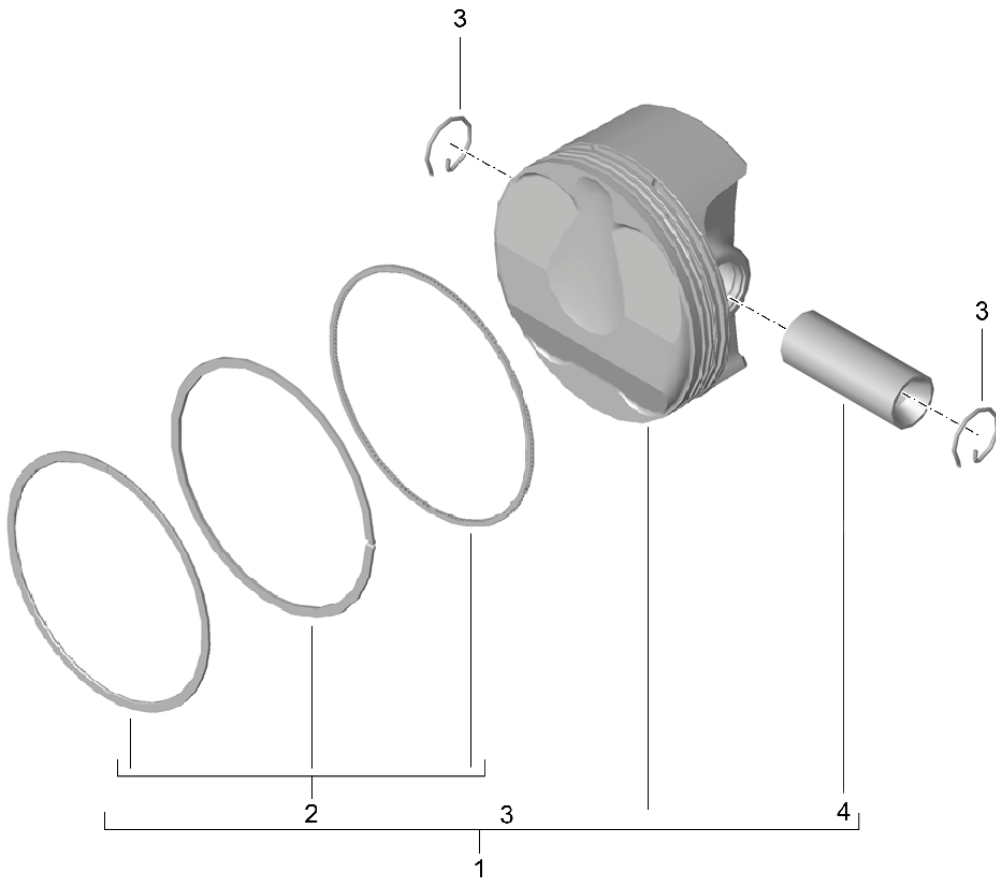
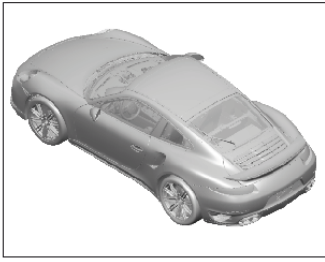
Model: 991T13

Model life 2014>>

Pos	Part Number	Description	Remark	Qty	Model
(12)	0PB 105 638	D = 63 thrust washer D = 63		2	DABA,DAB, DBCA,DBC, DBCB,DHNA
13	991 114 020 50	Dual-mass flywheel		1	A171+
13	9P1 105 264 A	Dual-mass flywheel		1	PR:250 DABA,DAB, DBCA,DBC, DHNA+
14	N 906 651 01	Socket head bolt with inner multipoint head M 10 X 1 X 29		10	PR:250
15	9A1 102 146 02	pulley		1	A171
		with: vibration damper pulley		1	DABA,DAB, DBCA,DBC, DBCB,DHNA
15	9A1 102 146 03	vibration damper pulley	with:	1	A171
16	900 385 127 01	Hexagon head bolt M 8 X 25		6	DABA,DAB, DBCA,DBC, DBCB,DHNA
16	900 385 127 02	Hexagon head bolt M 8 X 25		6	CG155+
17	991 606 112 00	speed sensor		1	A171
		also use:	991 606 912 00	1	CG160+
17	991 606 112 02	speed sensor		1	DABA,DAB, DBCA,DBC
		also use:	991 606 912 00	1	CG160,CG180+
17	991 606 112 02	D >> - 23.06.2016 speed sensor D - 24.06.2016>>		1	DABA,DAB, DBCA,DBC, DBCB,DHNA
18	N 105 464 03	Hexagon socket head bolt M 6 X 16		1	
19		v-belt			
		see illustration:	101-010		
20	991 606 912 00	Shim speed sensor		1	CG155+
20	991 606 912 00	Shim speed sensor D >> - 23.06.2016		1	A171 CG160+ DABA,DAB, DBCA,DBC

Model: 991T13

Model life 2014>>



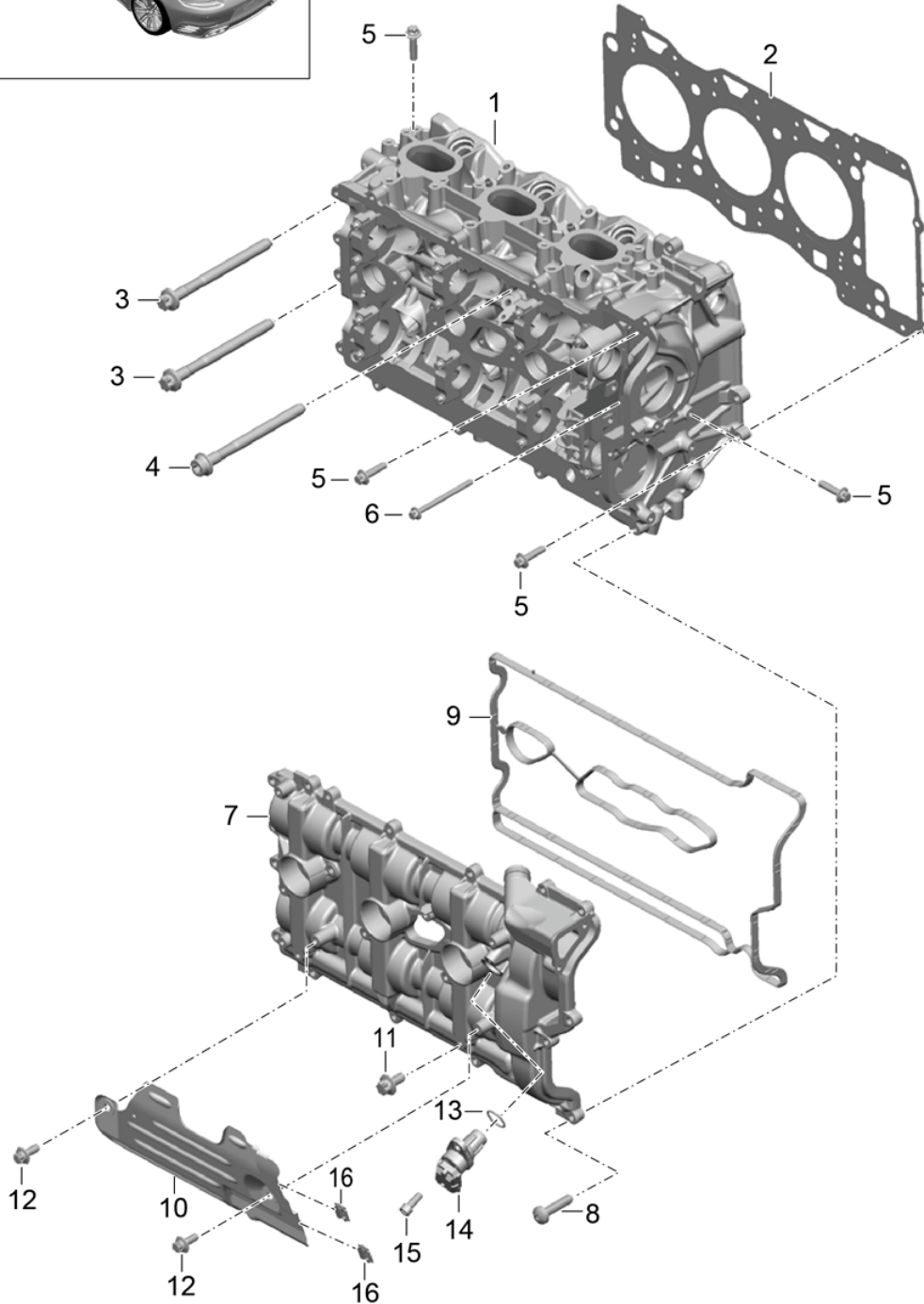
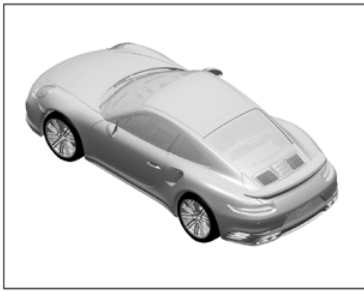
Model: 991T13

Model life 2014>>

Pos	Part Number	Description	Remark	Qty	Model
1	9A1 103 949 00	piston piston Identification: >> >> -		6	A171,DABA, DAB,DBCA,DBC
(1)	9A1 103 949 30	piston Identification: >> >> -		6	GT2 RS DHNA
1	9A1 103 949 50	piston Identification: >> >> +		6	A171,DABA, DAB,DBCA,DBC
(1)	9A1 103 949 80	piston Identification: >> >> +		6	GT2 RS DHNA
2	9A1 103 075 02	1 set: piston rings		6	
3	9A1 103 241 01	Securing ring		12	
4	9A1 103 260 01	piston pin		6	A171,DABA, DAB,DBCA,DBC
(4)	9A1 103 264 80	piston pin		6	GT2 RS DHNA

Model: 991T13

Model life 2014>>



Model: 991T13 Model life 2014>>

Pos	Part Number	Description	Remark	Qty	Model
1	9A1 104 917 15	Cylinder head Valves Cylinder head gasket Valve cover Cylinder head	with: cylinders 1-3	1	A171
1	9A1 104 917 16	Cylinder head	cylinders 1-3	1	DABA,DAB, DBCA,DBC, DBCB
1	9A1 104 917 80	Cylinder head	cylinders 1-3	1	GT2 RS DHNA
(1)	9A1 104 918 15	Cylinder head	cylinders 4-6	1	A171
(1)	9A1 104 918 16	Cylinder head	cylinders 4-6	1	DABA,DAB, DBCA,DBC, DBCB
(1)	9A1 104 918 80	Cylinder head	cylinders 4-6	1	GT2 RS DHNA
2	9A1 104 149 00	Cylinder head gasket	cylinders 1-3	1	A171
(2)	9A1 104 149 05	Cylinder head gasket	cylinders 1-3	1	DABA,DAB, DBCA,DBC, DBCB,DHNA
(2)	9A1 104 148 00	Cylinder head gasket	cylinders 4-6	1	
3	9A1 104 191 00	Torx screw M12 X 1,5 X 140		4	
4	9A1 104 191 02	Torx screw M12 X 1,5 X 140		12	
5	900 385 072 01	Torx screw M6 X 25		11	
6	900 385 108 02	Torx screw M6 X 80		2	
7	9A1 105 231 04	Valve cover	cylinders 1-3	1	
(7)	9A1 105 232 04	Valve cover	cylinders 4-6	1	
8	9A1 107 313 00	Torx screw M6 X 25		40	A171
8	9A1 107 313 01	Torx screw M6 X 25		40	DABA,DAB, DBCA,DBC, DBCB,DHNA
9	9A1 105 731 03	Seal Valve cover	cylinders 1-3	1	
(9)	9A1 105 732 03	Seal Valve cover	cylinders 4-6	1	
10	9A1 104 319 71	Heat insulation	cylinders 1-3	1	
(10)	9A1 104 320 71	Heat insulation	cylinders 4-6	1	
11	900 385 009 01	Torx screw M6 X 16		4	
12	900 385 041 01	Torx screw M6 X 12		4	
13	999 707 404 40	O-ring 17,05 X 1,78 To Use 997.606.106.03 No longer use the part here		2	



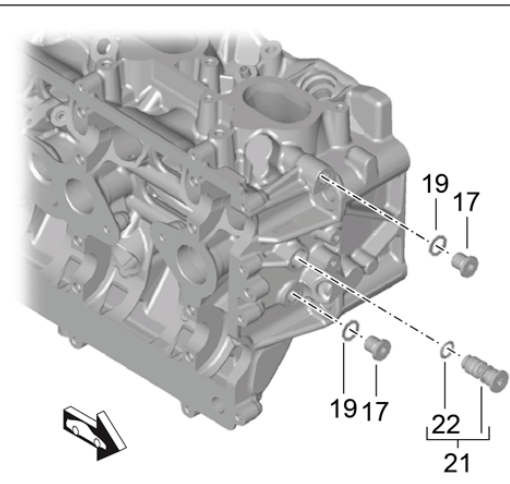
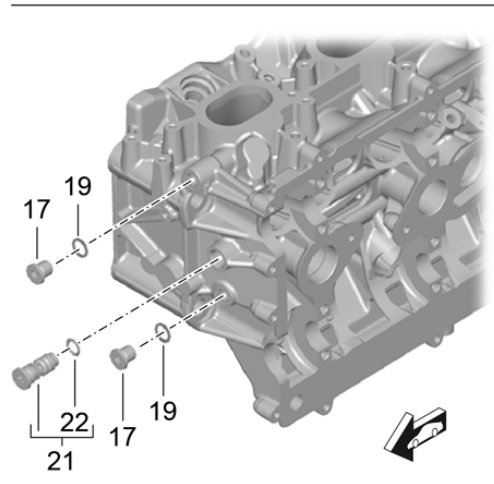
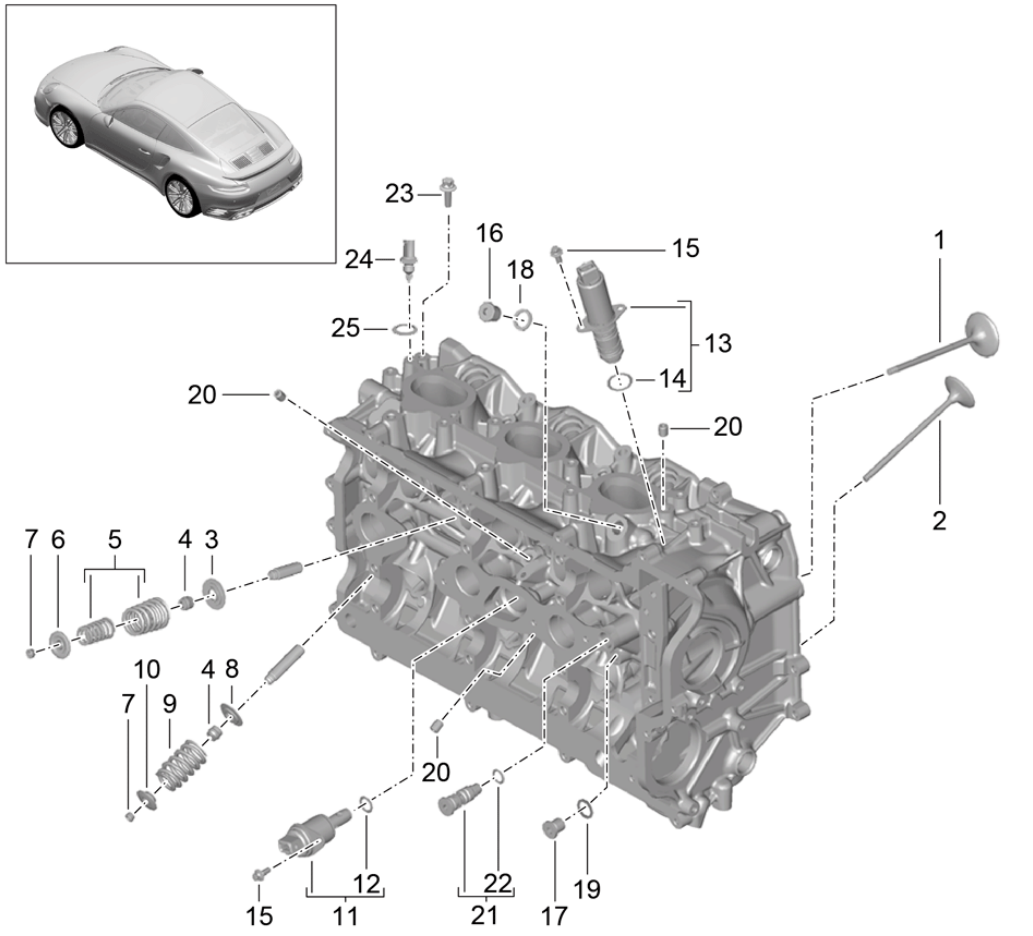
Model: 991T13

Model life 2014>>

Pos	Part Number	Description	Remark	Qty	Model
14	997 606 106 03	Hall sensor		2	
15	N 105 464 03	Hexagon socket head bolt M 6 X 16		2	
16	999 651 386 03	Cable clamp 5,5 - 9,0		4	

Model: 991T13

Model life 2014>>



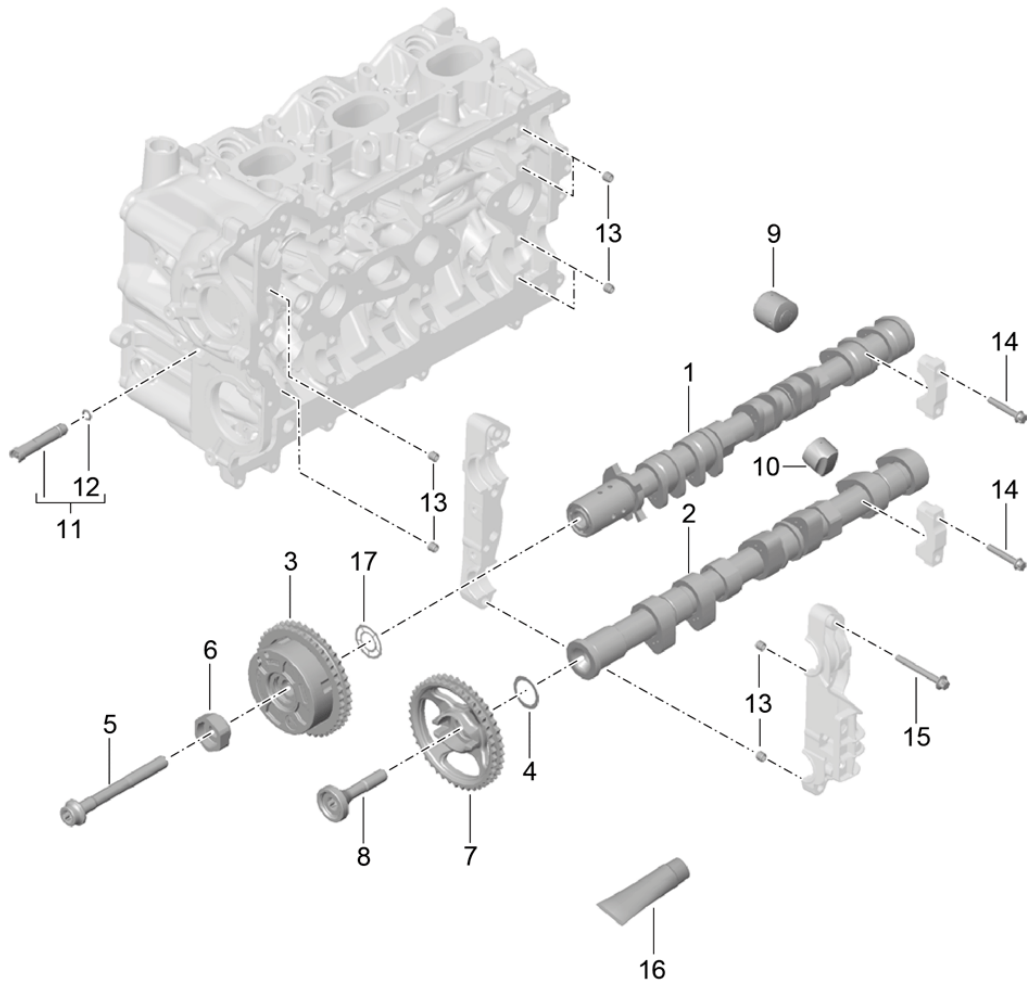
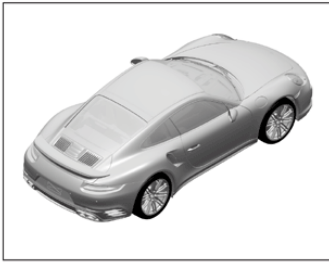
Model: 991T13

Model life 2014&gt;&gt;

Pos	Part Number	Description	Remark	Qty	Model
		Cylinder head Accessories Valves			
1	9A1 105 312 02	Inlet valve		12	
2	9A1 105 326 00	exhaust valve		12	A171
2	9A1 105 326 70	exhaust valve		12	DABA,DAB, DBCA,DBC, DBCB,DHNA
3	948 105 151 01	spring disc	lower Inlet	12	
4	996 105 115 52	Valve stem seal		24	
5	948 105 094 00	1 set of valve springs		12	
6	9A1 105 350 00	spring disc	Inlet upper Inlet	12	
7	996 105 123 52	cotter, split		48	
8	9A1 105 253 70	spring disc	lower Outlet	12	
9	9A1 105 115 70	1 set of valve springs Set		12	
10	9A1 105 252 70	spring disc	Outlet upper Outlet	12	
11	9A1 105 308 03	throttle control element VVS		2	
12	900 331 057 40	O-ring 11,2 X 2,65		2	
13	9A1 105 304 04	throttle control element NVS		2	
14	999 707 446 40	O-ring 18 X 2,5		2	
15	900 385 112 01	Torx screw M 5 X 12		8	
15	999 073 650 01	No longer use the part here Torx screw	M5X12	1	
16	999 063 038 01	sealing plug M 14 X 1,5 X 15		2	
17	999 063 037 01	sealing plug M 12 X 1,5 X 15		5	
18	900 123 104 30	seal ring 14 X 18		2	
19	900 123 161 20	seal ring 12 X 16		5	
20	999 063 035 02	sealing plug M 8 X 1,0		3	
(20)	999 063 035 02	sealing plug M 8 X 1,0	cylinders 1-3	4	
21	9A1 104 250 01	choke	cylinders 4-6	4	
22	999 707 577 40	O-ring 10 X 2,5N		4	
23	900 385 019 01	Torx screw M 6 X 20		2	
24	948 606 420 01	Temperature sensor Coolant		1	
25	900 123 111 21	seal ring 14 X 20		1	

Model: 991T13

Model life 2014>>



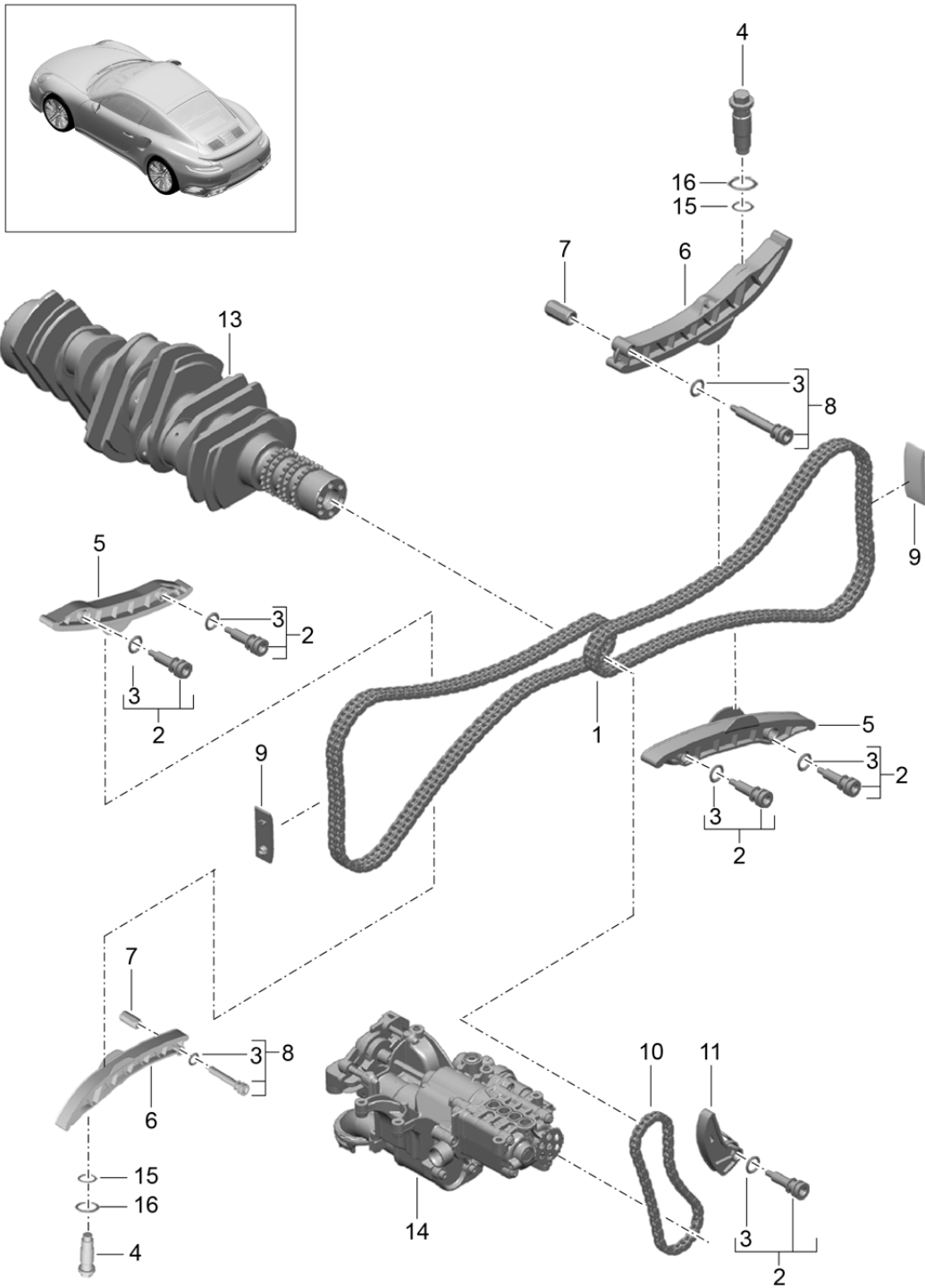
Model: 991T13

Model life 2014&gt;&gt;

Pos	Part Number	Description	Remark	Qty	Model
1	9A1 105 287 00	Camshaft Hydraulic tappet camshaft adjuster unit Camshaft	Inlet cylinders 1-3	1	
(1)	9A1 105 288 00	Camshaft	Inlet cylinders 4-6	1	
2	9A1 105 293 00	Camshaft	Outlet cylinders 1-3	1	
(2)	9A1 105 294 00	Camshaft	Outlet cylinders 4-6	1	
3	9A1 105 053 01	camshaft adjuster unit		2	A171
3	9A1 105 053 02	camshaft adjuster unit		2	DABA,DAB, DBCA,DBC, DBCB,DHNA
4	9A1 105 403 02	Washer for camshaft camshaft adjuster unit		2	
5	9A1 105 254 03	Torx screw M12 X 50		2	
6	9A1 105 245 10	Sleeve camshaft adjuster unit		2	
7	9A1 105 147 02	Chain sprocket Camshaft	Outlet cylinders 1-3	1	
(7)	9A1 105 148 02	Chain sprocket Camshaft	Outlet cylinders 4-6	1	
8	9A1 105 255 02	Torx screw M 12 X 1,5 X 60		2	
9	9A1 105 070 04	Hydraulic tappet	Inlet	12	
10	9A1 105 071 00	Hydraulic tappet	Outlet	12	A171
10	9A1 105 071 01	Hydraulic tappet	Outlet	12	DABA,DAB, DBCA,DBC, DBCB,DHNA
11	9A1 104 402 02	oil pipe	cylinders 4-6	1	
12	999 707 576 40	O-ring 7,0 X 2,5		1	
13	999 095 075 01	dowel sleeve 8 X 7		32	
14	999 073 450 01	Outer hexagon round screw M 6 X 37		24	
15	900 385 111 01	Torx screw M 6 X 55		8	
16	000 043 024 00	Extreme-pressure grease 1 tube 80 GR. for Camshaft		1	
17	9A1 105 403 10	Washer for camshaft camshaft adjuster unit		2	

Model: 991T13

Model life 2014>>



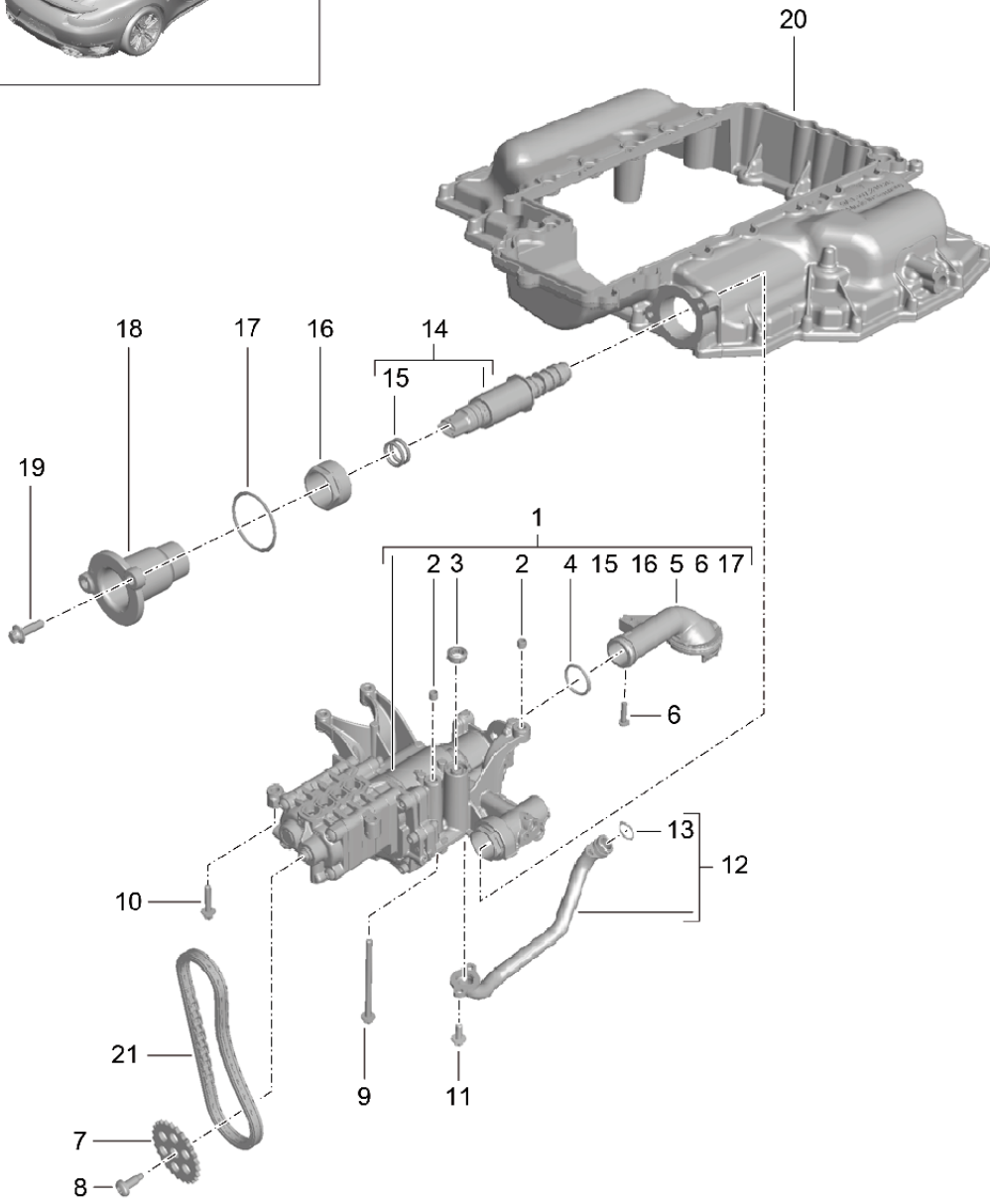
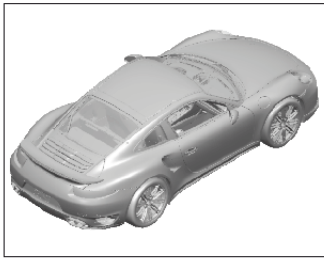
Model: 991T13

Model life 2014>>

Pos	Part Number	Description	Remark	Qty	Model
1	9A1 105 142 02	Valve control timing chain timing chain Camshaft Crankshaft		2	A171
1	9A1 105 142 03	timing chain Camshaft Crankshaft		2	DABA,DAB, DBCA,DBC, DBCB,DHNA
2	9A1 105 062 01	Socket head bolt M 6		6	
3	999 707 346 40	O-ring 15,0 X 3,0		7	
4	9A1 105 157 02	chain tensioner		2	A171
4	9A1 105 157 03	chain tensioner		2	DABA,DAB, DBCA,DBC
4	9A1 105 157 04	chain tensioner		2	DBCB,DBC, DHNA
5	9A1 105 153 03	slide rail		2	A171
5	9A1 105 153 04	slide rail		2	DABA,DAB, DBCA,DBC, DBCB,DHNA
6	9A1 105 155 03	Tensioner blade		2	A171
6	9A1 105 155 04	Tensioner blade		2	DABA,DAB, DBCA,DBC, DBCB,DHNA
7	9A1 105 165 02	spacer sleeve		1	
8	9A1 105 163 01	Screw		1	A171
8	9A1 105 063 01	Screw		1	DABA,DAB, DBCA,DBC, DBCB,DHNA
9	9A1 105 101 02	slide rail		2	A171
9	9A1 105 101 03	slide rail		2	DABA,DAB, DBCA,DBC, DBCB,DHNA
10	9A1 105 233 02	timing chain oil pump Crankshaft		1	
11	9A1 105 235 02	Tensioner blade		1	
13		Crankshaft		1	
14		oil pump	see illustration: 102-000	1	
15	900 123 118 30	seal ring A 22 X 27	see illustration: 104-000	2	A171
15	900 123 011 21	seal ring A 22 X 27		2	DABA,DAB, DBCA,DBC, DBCB,DHNA
16	999 701 066 40	O-ring chain tensioner 20 X 1,3		2	

Model: 991T13

Model life 2014>>





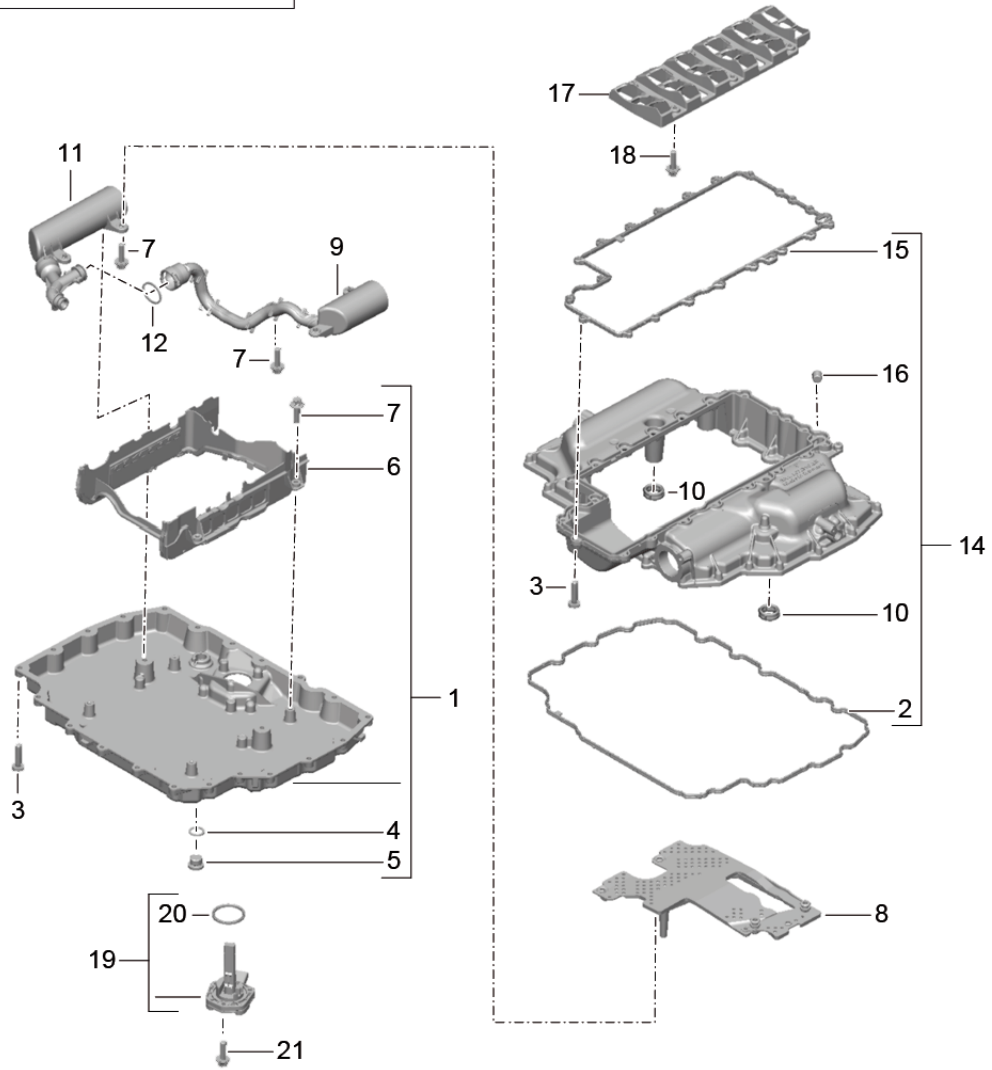
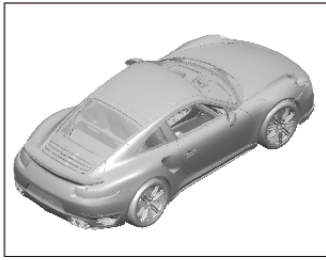
Model: 991T13

Model life 2014>>

Pos	Part Number	Description	Remark	Qty	Model
1	9A1 107 070 10	oil pump		1	A171
(1)	9A1 107 070 12	oil pump		1	DABA, DAB, DBCA, DBC, DBCB, DHNA
2	996 106 103 50	dowel sleeve 8,2 X 7,0		2	
3	9A1 107 327 00	seal ring		1	
4	999 707 375 40	O-ring 30,00 X 3,00		1	
5	9A1 107 075 10	Suction tube		1	
6	999 073 102 01	flat round head bolt M6 X 25		1	
7	9A1 105 225 02	Chain sprocket		1	
8	999 073 380 01	oil pump Torx screw M8 X 22		1	
9	900 385 126 01	Torx screw M6 X 95		1	
10	900 385 048 01	Torx screw M6 X 30		5	
11	900 385 009 01	Torx screw M6 X 16		1	
12	9A1 107 025 01	oil pipe oil pump Crankcase housing		1	
13	999 707 575 40	O-ring 20,00 X 3,00		1	
14	948 107 113 11	Solenoid valve		1	
15	999 707 567 40	O-ring 17,00 X 3,00		2	
16	999 261 024 01	Union nut M36 X 1,0 X 12		1	
17	999 707 570 40	O-ring 44,00 X 3,00		1	
18	9A1 107 330 01	Sealing flange control valve		1	
19	900 385 019 01	Torx screw M6 X 20		2	
20		oil sump Upper part		1	
21		Chain oil pump see illustration:	104-002	1	
		see illustration:	103-015		

Model: 991T13

Model life 2014>>



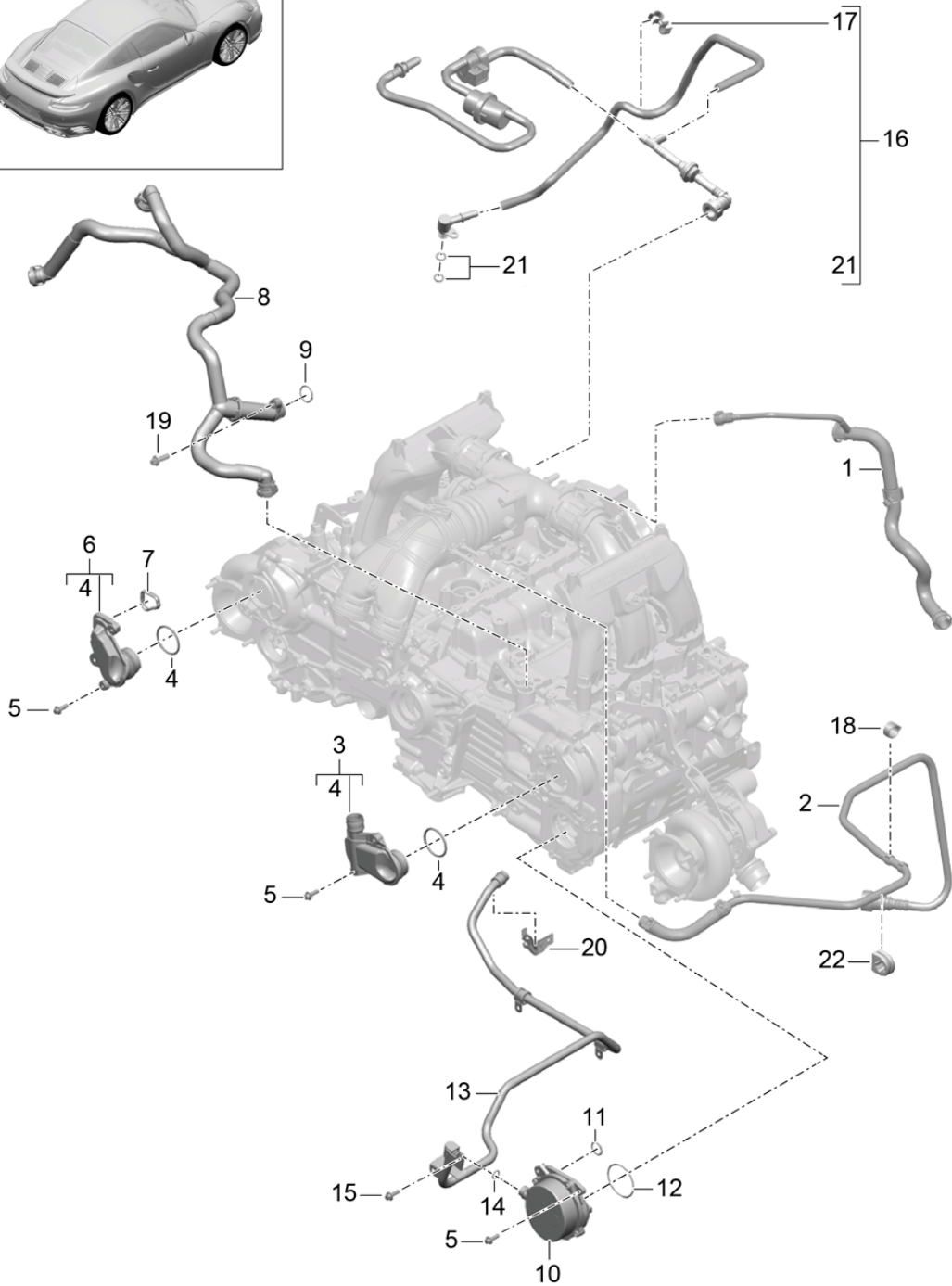
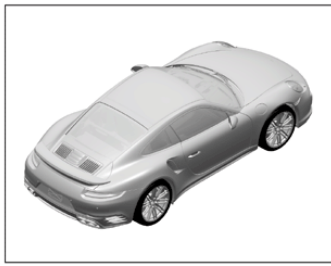
Model: 991T13

Model life 2014>>

Pos	Part Number	Description	Remark	Qty	Model
1	9A1 107 003 75	oil sump oil sump (complete)		1	
(1)	9A1 107 032 76	oil sump Lower part		1	
2	9A1 107 325 02	gasket for oil sump		1	
3	9A1 107 313 00	Torx screw M 6 X 25		44	A171
3	9A1 107 313 01	Torx screw M 6 X 25		44	DABA, DAB, DBCA, DBC, DBCB, DHNA
4	900 123 106 30	seal ring A 18 X 24		1	
5	900 219 020 31	sealing plug M 18 X 1,5		1	
6	9A1 107 243 75	filler plate		1	
7	900 385 019 01	Torx screw M6 X 20		4	
8	9A1 107 420 70	oil separator		1	
9	9A1 107 383 01	oil separator		1	
10	9A1 107 327 00	seal ring		3	
11	9A1 107 380 01	oil separator		1	
12	999 707 651 40	O-ring 20,0 X 3,8 N		2	
14	9A1 107 031 75	oil sump-upper part		1	
15	9A1 107 315 03	gasket for oil sump		1	
16	900 063 010 01	sealing plug M8 X 1,0		1	
17	9A1 101 010 01	oil separator		1	
18	900 385 019 01	Torx screw M6 X 20		6	
19	958 606 160 10	oil level sensor		1	A171, DABA, DAB, DBCA, DBC
19	958 606 160 11	oil level sensor		1	DBCB, DBC, DHNA
20	038 103 196 B	seal ring		1	
21	900 385 072 01	Torx screw M 6 X 25		3	

Model: 991T13

Model life 2014>>



Model: 991T13

Model life 2014>>

Pos	Part Number	Description	Remark	Qty	Model
1	9A1 107 532 70	Crankcase housing Bleeding Tank ventilation Vacuum pump Breather line		1	A171
2	9A1 107 542 70	Crankcase housing Breather line (complete)		1	A171
2	9A1 107 543 70	Breather line (complete)		1	DABA, DAB, DBCA, DBC, DBCB
2	9A1 107 543 80	Breather line (complete)		1	GT2 RS DHNA
(2)	9A2 107 541 00	Ventilation pipe		1	DABA, DAB, DBCA, DBC
3	9A1 105 038 00	Crankcase housing Cover		1	
3	9A1 105 038 01	Crankcase housing Bleeding  No longer use the part here Cover Crankcase housing Bleeding	cylinders 4-6	1	
4	999 707 636 40	O-ring 44,0 X 3,5N	cylinders 4-6	2	
5	900 385 019 01	Torx screw M 6 X 20		3	
6	9A1 105 039 00	Cover Crankcase housing Bleeding		1	
7	9A1 105 339 00	Seal for Cover Crankcase housing	cylinders 1-3	1	
8	9A1 107 525 00	Breather line Crankcase housing		1	A171
8	9A1 107 525 01	Breather line Crankcase housing		1	DABA, DAB, DBCA, DBC, DBCB, DHNA
9	999 707 639 40	O-ring		2	
10	9A1 110 090 05	Vacuum pump for brake servo		1	A171
10	9A1 110 090 06	Vacuum pump for brake servo		1	DABA, DAB, DBCA, DBC, DBCB, DHNA
11	999 701 504 40	O-ring 10 X 2,5		1	
12	999 701 789 40	O-ring 12,0 X 2,0		2	
13	9A1 110 055 23	Vacuum line		1	
14	999 701 505 40	O-ring 54 X 2,5		1	
15	900 385 041 01	Torx screw M 6 X 12		4	
16	9A1 110 097 72	Breather line Tank ventilation Discontinued part		1	A171
16	9A1 110 097 73	Breather line Tank ventilation		1	A171
16	9A1 110 097 76	Breather line Tank ventilation		1	DABA, DAB, DBCA, DBC,

Model: 991T13

Model life 2014>>

Pos	Part Number	Description	Remark	Qty	Model
16	9A1 110 097 80	Breather line Tank ventilation		1	DBCB GT2 RS DHNA
17	999 507 866 40	Line holder 4,3 / 4,3		2	
18	999 512 498 00	Hose clamp 13,1 - 15,3		3	
19	900 385 072 01	Torx screw BM 6 X 25		1	
20	9A1 110 155 01	Bracket Vacuum line		1	
21	999 707 577 40	O-ring 10X2,5		2	
22	999 702 210 40	Rubber grommet 12,0 X 20,0 X 2,0		1	



Model: 991T13

Model life 2014>>

Pos	Part Number	Description	Remark	Qty	Model
		oil filter Console			
1	948 606 213 00	Oil pressure sender		1	
2	948 107 022 00	oil filter (complete)		1	
3	948 107 175 00	Seal heat exchanger		2	
4	999 707 348 40	O-ring 42,00 X 4,00		1	
5	999 707 634 40	O-ring 18,50 X 4,00		1	
6	999 707 635 40	O-ring 21,00 X 4,00		1	
7	999 707 594 40	O-ring 11,00 X 4,00		1	
8	9A1 107 465 01	seal ring		2	
9	999 707 595 40	O-ring 20,00 X 4,00		1	
10	9A1 107 115 22	oil pipe engine oil		1	
11	9A1 107 030 10	Oil-conducting housing (complete) Discontinued part		1	A171+ PR:475
11	9A1 107 030 11	Oil-conducting housing (complete)		1	A171+ PR:475
11	9A2 107 010 01	Oil-conducting housing (complete)		1	DABA,DAB, DBCA,DBC, DBCB,DHNA+ PR:475
(11)	9A1 107 030 20	Oil-conducting housing (complete) Discontinued part		1	A171+ PR:352
(11)	9A1 107 030 21	Oil-conducting housing (complete)		1	A171+ PR:352
12	900 385 019 01	Torx screw M 6 X 20		2	
13	900 385 125 01	Torx screw M 6 X 45		5	
14	948 107 222 00	Oil filter insert		1	
15	948 107 322 00	seal ring 91,0 X 4,0	also use: 948 107 322 00	1	
16	9A1 107 455 10	heat exchanger No longer use the part here		1	A171+ PR:475
16	9A1 107 455 00	heat exchanger		1	A171+ PR:475
16	9A2 107 455 00	heat exchanger		1	DABA,DAB, DBCA,DBC, DBCB,DHNA+ PR:475
(16)	9A1 107 455 20	heat exchanger		1	A171+ PR:352
17	999 073 416 01	Bolt with washer M 6 X 20		6	
18	9A1 107 040 00	oil separator Discontinued part		1	A171
18	9A1 107 040 01	oil separator Discontinued part		1	A171
18	9A1 107 040 02	oil separator		1	DABA,DAB, DBCA,DBC, DBCB,DHNA
19	991 107 274 02	Cradle Hose		1	A171



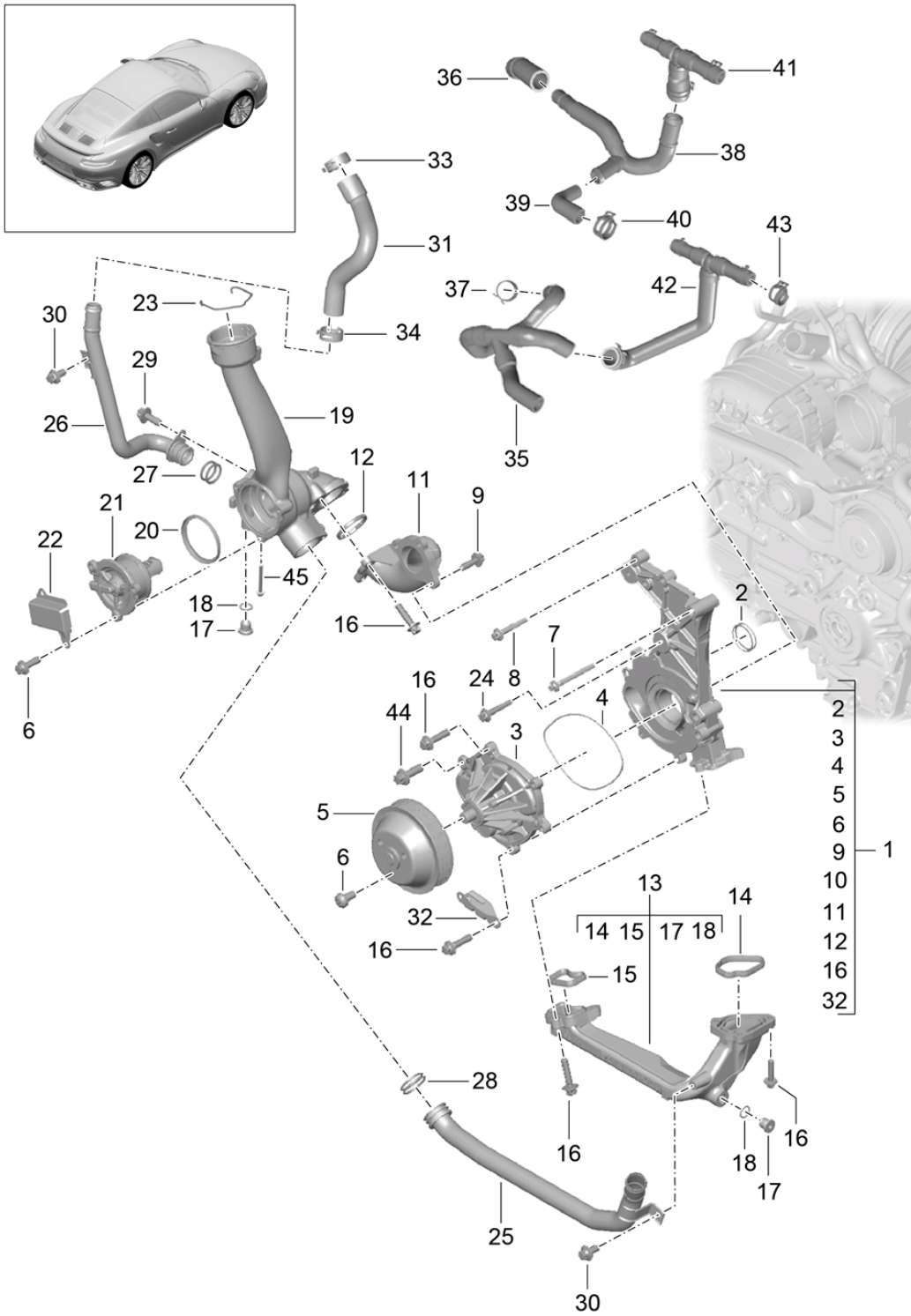
Model: 991T13

Model life 2014>>

Pos	Part Number	Description	Remark	Qty	Model
19	991 107 274 03	Cradle Hose		1	DABA,DAB, DBCA,DBC, DBCB DHNA
19	9P1 115 653	oil filler pipe Oil inlet		1	DHNA
20	991 107 475 01	End cap		1	A171
20	9P1 115 423	End cap		1	DABA,DAB, DBCA,DBC
22	991 107 264 01	Hose Oil inlet		1	DABA,DAB, DBCA,DBC, DBCB
22	991 107 264 80	Hose Oil inlet		1	GT2 RS DHNA
23	999 512 657 09	Hose clamp B 38 X 12		2	
24	9A1 106 515 70	Molded hose	return	1	
25	999 512 656 09	heat exchanger Hose clamp 25 X 12		2	
26	999 919 283 01	Oval-head screw 6,0 X 18,0		1	
27	9A1 107 215 21	Bracket Discontinued part		1	A171
27	9A1 107 215 22	Bracket		1	A171
27	9A1 107 215 23	Bracket		1	DABA,DAB, DBCA,DBC, DBCB,DHNA
28	999 591 882 01	panel nut M6		1	
29	900 385 009 01	Torx screw M 6 X 16		1	
30	900 385 019 01	Torx screw		4	
31	000 043 301 19	engine oil EXXON MOBIL 1 0W-40 D >> - 13.05.2018	1.0 Ltr.	X	
(28)	000 043 210 93	engine oil EXXON MOBIL 1 0W-40 ESP X 3 D - 14.05.2018>>	1.0 Ltr.	X	
33	000 043 301 21	engine oil EXXON MOBIL 1 0W-40 D >> - 13.05.2018	20ltr.	X	

Model: 991T13

Model life 2014>>



Model: 991T13

Model life 2014>>

Pos	Part Number	Description	Remark	Qty	Model
1	9A1 106 039 71	Coolant pump thermostat housing Water pump housing (complete)		1	A171, DABA, DAB, DBCA, DBC
1	9A1 106 039 72	Water pump housing (complete)		1	DBCBC, DBC, DHNA
2	999 707 604 40	O-ring 34,0 X 3,0		2	
3	9A1 106 048 72	Coolant pump (complete)		1	
4	9A1 106 217 00	Seal Coolant pump		1	
5	9A1 106 248 00	pulley		1	
6	999 073 104 01	Torx screw M8 X 16		3	
7	900 385 115 01	Torx screw M8 X 70		3	
8	900 385 071 01	Torx screw M8 X 50		3	
9	900 385 019 01	Torx screw M6 X 20		7	
10	900 385 098 01	Torx screw M8 X 25		1	
10	900 385 114 01	Torx screw M8 X 25		1	
11	9A1 106 238 00	Water pipe		1	DABA, DAB, DBCBC, DBC, DHNA
11	0PB 121 076	Water pipe		1	
12	9A1 106 215 00	Seal Water pipe		2	
13	9A1 106 025 02	Water pipe		1	
14	9A1 106 326 00	Seal Water pipe		1	
15	9A1 106 325 00	Seal Water pipe		1	
16	900 385 072 01	Torx screw M6 X 25		16	
17	900 219 018 30	sealing plug M14 X 1,5		1	
17	999 063 038 01	No longer use the part here sealing plug M14 X 1,5		1	
18	900 123 104 30	seal ring 14 X 18		1	
18	900 123 173 20	No longer use the part here seal ring 14 X 18		1	
19	9A1 106 012 02	Water guide housing	with:	1	A171
19	9A1 106 012 03	thermostat Water guide housing	with:	1	DABA, DAB, DBCBC, DBC
19	9A1 106 012 04	thermostat Water guide housing	with:	1	DBCBC, DBC, DHNA
20	9A1 106 559 00	thermostat Seal		1	A171, DABA, DAB, DBCA, DBC
20	0PB 121 688	Seal thermostat		1	DBCBC, DBC, DHNA
21	9A1 106 226 03	thermostat		1	A171, DABA, DAB, DBCA, DBC

Model: 991T13

Model life 2014>>

Pos	Part Number	Description	Remark	Qty	Model
21	9A7 121 110 00	thermostat		1	DBCB,DBC, DHNA
22	9A1 106 450 00	Guard plate		1	
23	997 106 802 03	Spring		2	
24	900 385 270 01	Hexagon head bolt M 6 X 35		1	
25	9A1 106 627 01	Water pipe		1	A171,DABA, DAB,DBCA,DBC
25	0PB 121 085	Water pipe		1	DBCB,DBC, DHNA
26	9A1 106 851 02	Water line		1	
27	999 707 658 40	O-ring 23 X 3		2	
28	999 707 657 40	O-ring 31 X 3		2	
29	900 385 009 01	Torx screw M6 X 16		1	
30	900 385 041 01	Torx screw M6 X 12		1	
31	9A1 106 852 00	Water hose		1	
32	9A1 106 631 00	Bracket		1	A171
32	9A1 106 631 01	Bracket		1	DABA,DAB, DBCA,DBC, DBCB,DHNA
33	999 512 661 09	Hose clamp 30 X 12		1	
34	999 512 658 09	Hose clamp 27 X 12		3	
35	9A1 106 512 70	Molded hose	feed	1	A171
(35)	9A2 106 512 71	Molded hose	feed	1	DABA,DAB, DBCA,DBC, DBCB,DHNA
36	9A1 106 513 70	Molded hose	return	1	
37	999 512 662 09	Hose clamp B 32 X 12		1	
38	9A1 106 516 70	return line Distributor tube		1	A171
38	9A1 106 516 71	Water line Distributor tube		1	DABA,DAB, DBCA,DBC, DBCB
38	0PB 121 398	Water line Distributor tube		1	GT2 RS DHNA
39	9A1 106 515 70	Molded hose	return	1	
40	999 512 656 09	Hose clamp B 25 X 12		2	
41	9A1 106 553 70	Water hose t-piece		1	A171
41	9A1 106 553 71	t-piece Water hose	return	1	DABA,DAB, DBCA,DBC, DBCB,DHNA
42	9A1 106 649 75	Water hose t-piece	return	1	A171
42	9A2 106 649 76	t-piece Water hose	feed	1	DABA,DAB, DBCA,DBC, DBCB,DHNA
43	999 512 686 09	Hose clamp B 17 X 12	feed	2	
44	900 385 070 01	Torx screw		1	

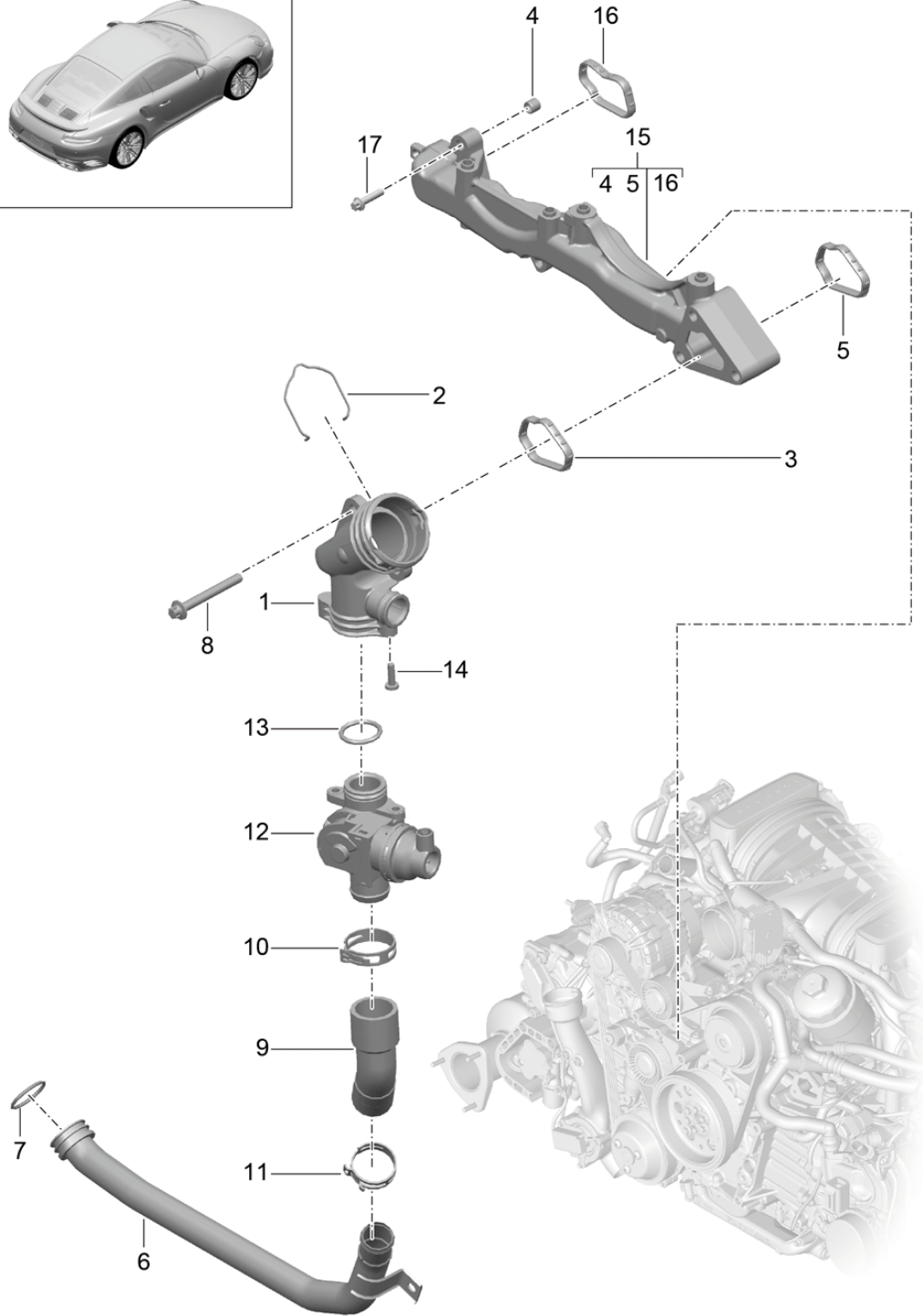
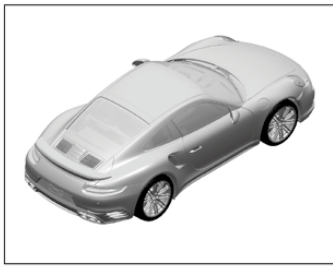
Model: 991T13

Model life 2014>>

Pos	Part Number	Description	Remark	Qty	Model
44	PAF 008 685 00	BM 6 X 50 Torx screw BM 6 X 50		1	

Model: 991T13

Model life 2014>>



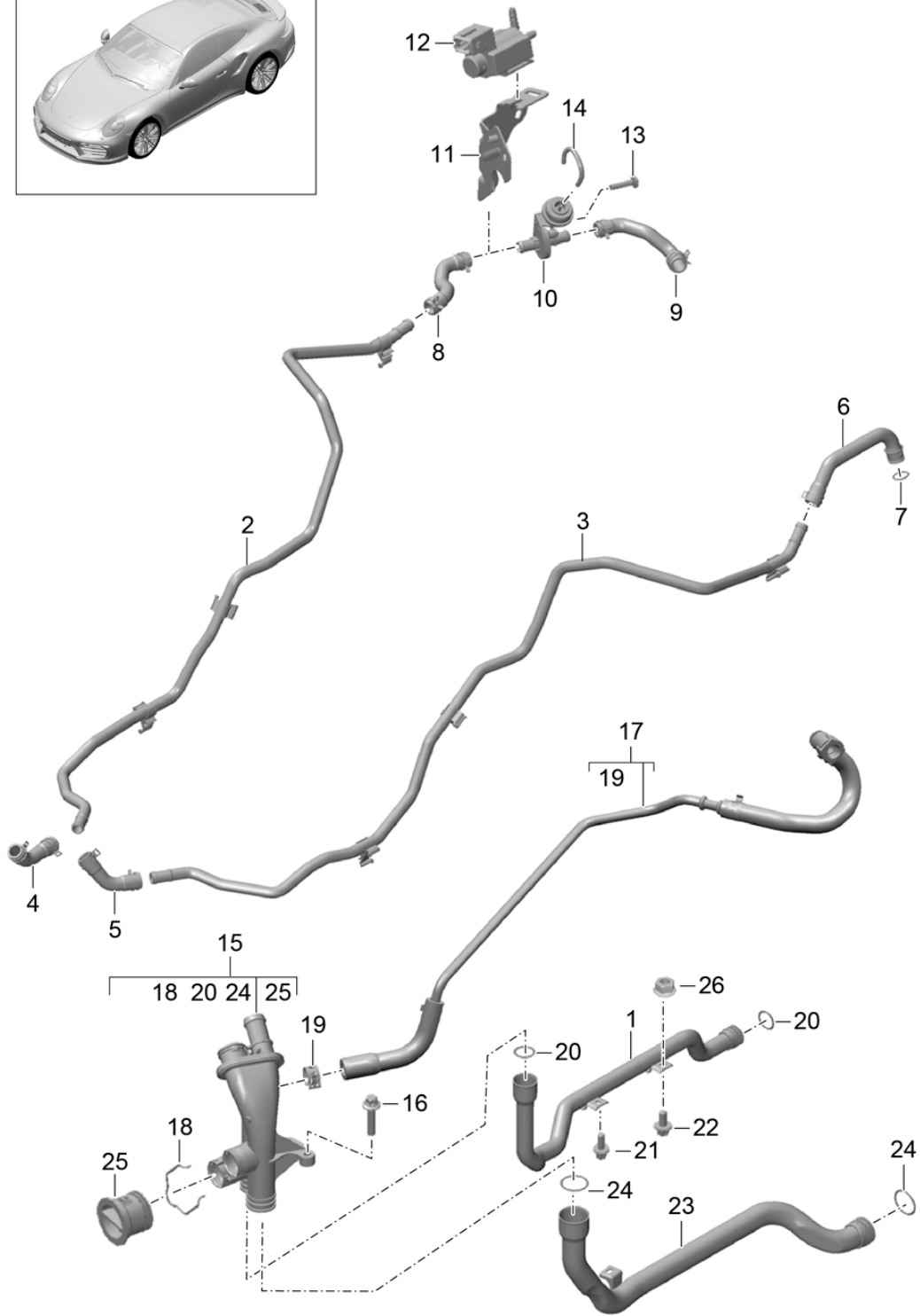
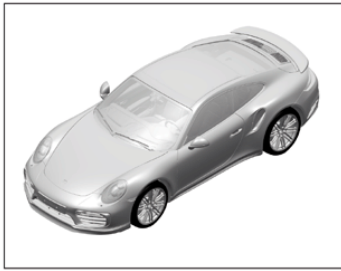
Model: 991T13

Model life 2014>>

Pos	Part Number	Description	Remark	Qty	Model
		Assembly carrier			
		Water pipe			
1	9A1 106 134 00	Cooling water socket		1	
2	997 106 802 03	Spring		2	
3	9A1 102 322 20	Seal		2	
4	999 095 063 03	dowel sleeve M 6 X 10		5	
5	9A1 102 322 40	Seal		1	
6	9A1 106 627 00	Water pipe		1	A171
6	9A1 106 627 01	Water pipe		1	DABA, DAB, DBCA, DBC
6	0PB 121 085	Water pipe		1	DBCB, DBC, DHNA
7	999 707 657 40	O-ring 31,0 X 3,0		2	
8	900 385 115 01	Torx screw M 8 X 70		3	
9	9A1 106 617 00	Water hose		1	A171, DABA, DAB, DBCA, DBC
9	0PB 121 082	Water hose		1	DBCB, DBC, DHNA
10	999 512 591 09	Hose clamp 40 X 12		1	
11	999 512 709 01	Hose clamp 35 X 12		1	
12	9A1 106 555 03	Valve		1	A171
12	9A1 106 555 04	Valve		1	DABA, DAB, DBCA, DBC, DBCB, DHNA
13	999 707 654 40	O-ring 29,00 X 4,00		1	
14	999 073 344 01	flat round head bolt M 6 X 20		2	
15	9A1 102 013 00	Assembly carrier		1	A171
15	9A1 102 013 01	Assembly carrier		1	DABA, DAB, DBCA, DBC, DBCB, DHNA
16	9A1 102 312 40	Seal		1	
17	900 385 042 01	Torx screw BM 8 X 35		1	

Model: 991T13

Model life 2014>>





Model: 991T13

Model life 2014>>

Pos	Part Number	Description	Remark	Qty	Model
1	9A1 106 620 01	Connection Water pipe		1	
2	991 106 181 03	Control Water cooling Water pipe		1	A171
2	9P1 121 050 A	Heater pipeline	feed	1	DABA, DAB, DBCA, DBC, DBCB, DHNA
3	991 106 182 03	Heater pipeline	feed	1	A171
3	9P1 121 070 A	Heater pipeline	return	1	DABA, DAB, DBCA, DBC, DBCB, DHNA
4	991 106 212 01	Water hose		1	
5	991 106 222 01	Water hose		1	
6	991 106 822 01	Water hose	return	1	
7	996 106 801 03	O-ring		1	
8	991 106 814 02	Water hose		1	A171
8	9P1 121 626	Water hose		1	DABA, DAB, DBCA, DBC, DBCB, DHNA
9	991 106 813 04	Heating hose	feed	1	
9	9P1 121 393	Heating hose	feed	1	
10	991 307 573 00	Disc valve		1	
11	991 106 584 02	Bracket		1	A171
11	9P1 121 313	Bracket		1	DABA, DAB, DBCA, DBC, DBCB, DHNA
12	7PP 906 283 C	Change-over valve		1	
12	7PP 906 283 F	No longer use the part here Change-over valve		1	
12	7PP 906 283 F	F 99-FS111 979>> Change-over valve		1	
-	991 612 944 00	F also use: >> 99-FS111 978 Wire set for Change-over valve F >> 99-FS111 978	991 612 944 00	1	
13	999 073 415 01	flat round head bolt M 4 X 16		1	
14	999 239 041 40	Hose 3,5 X 2,0 X 120		1	
15	9A1 106 010 02	Connection (complete)		1	
16	900 385 072 01	Torx screw M 6 X 25		2	
17	9A1 106 550 00	Breather line		1	
18	997 106 802 04	Spring clip		3	
19	999 512 686 09	Hose clamp B 17 X 12		1	
20	999 707 517 40	O-ring 22 X 3		4	
21	900 385 009 01	Torx screw M 6 X 16		4	
22	900 385 041 01	Torx screw M 6 X 12		1	
23	9A1 106 625 01	Water pipe		1	

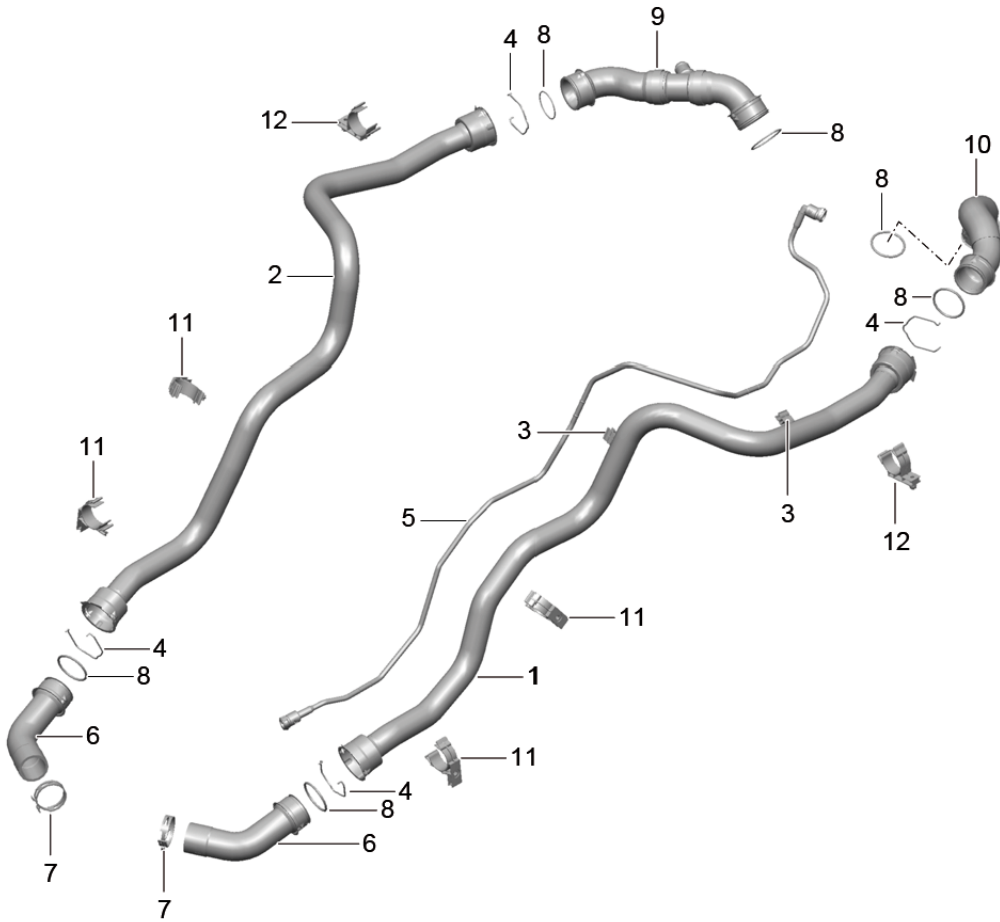
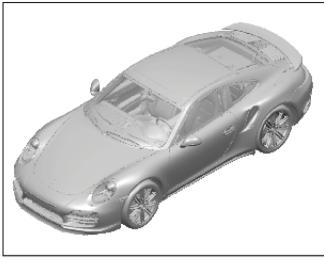
Model: 991T13

Model life 2014&gt;&gt;

Pos	Part Number	Description	Remark	Qty	Model
24	999 707 589 40	O-ring 31 X 3	return	2	
25	9A1 106 546 00	Bungs		3	
25	0PB 121 099	Bungs		3	
26	999 084 638 01	Hexagon nut M 6		2	

Model: 991T13

Model life 2014>>



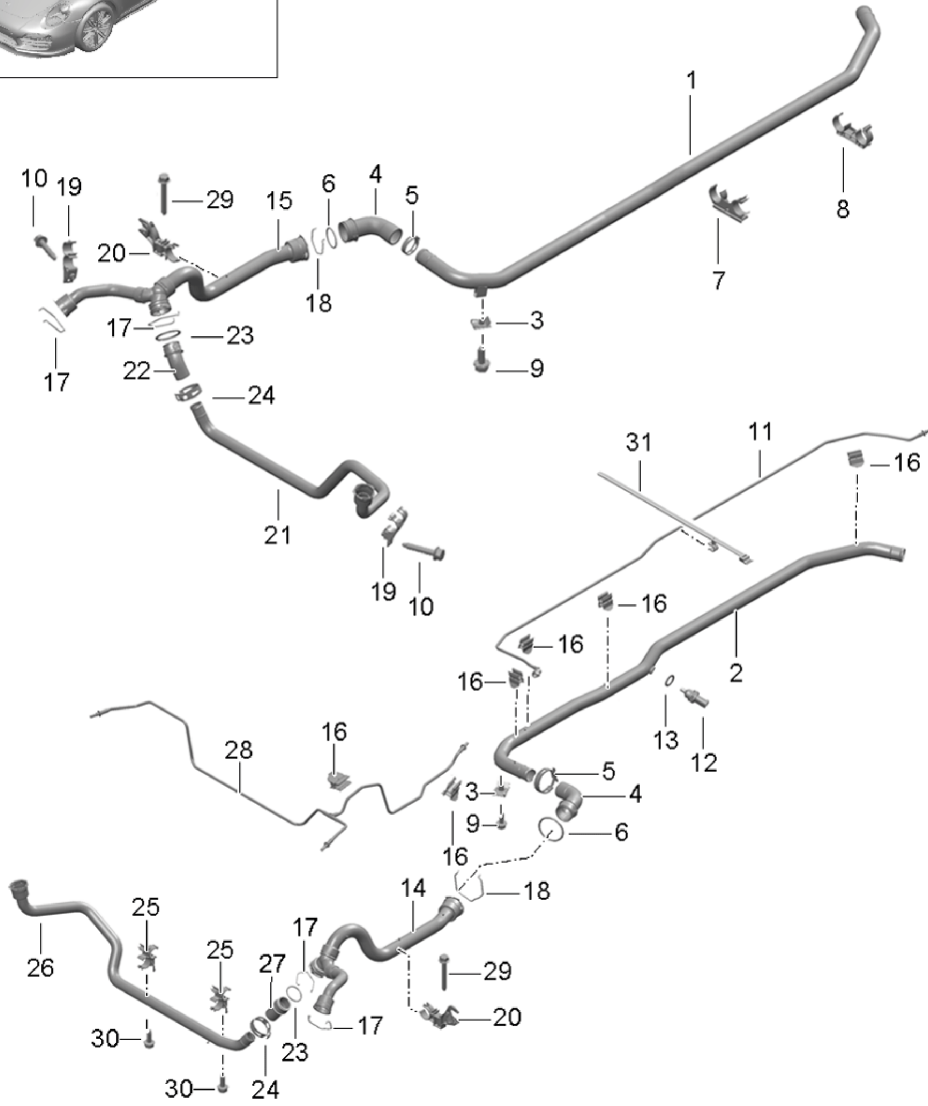
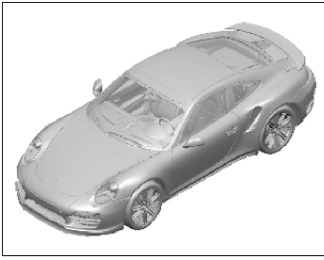
Model: 991T13

Model life 2014>>

Pos	Part Number	Description	Remark	Qty	Model
1	991 106 809 02	Water cooling 1 Rear end Coolant pipe	return	1	A171
1	9P1 121 567	Coolant pipe	return	1	DABA, DAB, DBCA, DEC, DBCB, DHNA
2	991 106 610 02	Coolant pipe	feed	1	A171
2	9P1 121 568	Coolant pipe	feed	1	DABA, DAB, DBCA, DEC, DBCB, DHNA
3	991 106 512 02	Bracket		2	
4	997 106 802 03	Spring		4	
5	991 106 681 02	Breather line		1	A171
5	9P1 121 638	Breather line		1	DABA, DAB, DBCA, DEC, DBCB, DHNA
6	991 106 740 01	Water hose		2	
7	999 512 667 09	Hose clamp		4	
8	996 106 801 03	O-ring		4	
9	991 106 833 01	Water hose		1	A171
9	9P1 121 641	Water hose		1	DABA, DAB, DBCA, DEC, DBCB, DHNA
10	991 106 832 00	Water hose		1	A171
10	9P1 121 642	Water hose		1	DABA, DAB, DBCA, DEC, DBCB, DHNA
11	991 106 415 02	Bracket Water pipe		4	
12	991 106 417 03	Bracket Water pipe		2	

Model: 991T13

Model life 2014>>



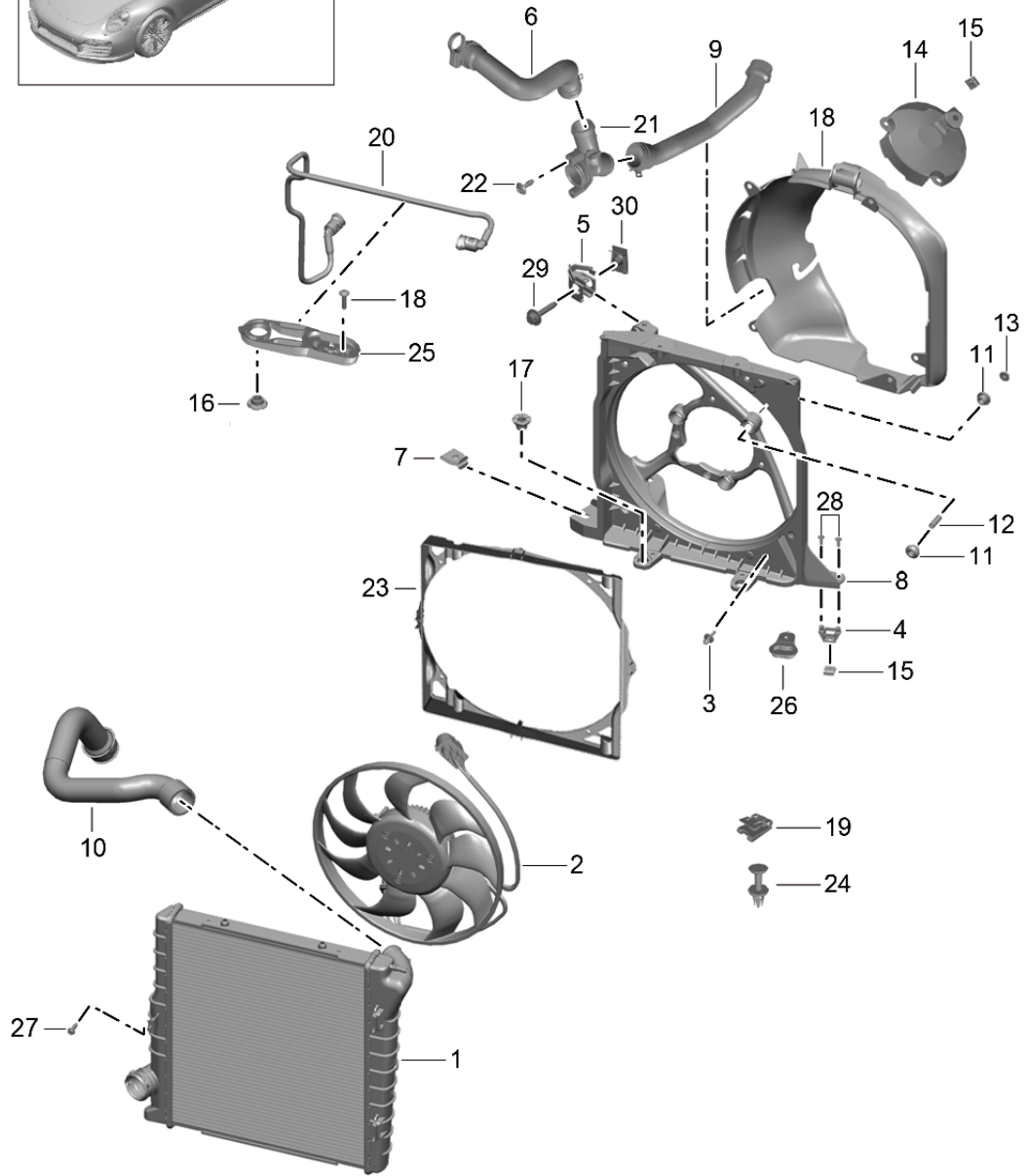
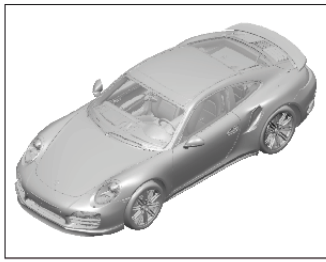
Model: 991T13

Model life 2014>>

Pos	Part Number	Description	Remark	Qty	Model
1	991 106 651 02	Water cooling 2 Front end Coolant pipe	feed	1	
2	991 106 652 02	Coolant pipe	return	1	
3	999 507 246 01	panel nut		2	
4	991 106 551 01	Water hose		2	
5	999 512 667 09	Hose clamp B 44 X 12		4	
6	996 106 801 03	O-ring		4	
7	991 106 540 01	Bracket		1	
8	991 106 541 01	Bracket		1	
9	999 217 116 01	Hexagon bolt M 6 X 16		2	
10	900 378 141 01	Hexagon bolt M 6 X 35		2	
11	991 106 227 03	Breather line		1	
12	948 606 420 01	Temperature sensor No longer use the part here		1	
12	948 606 420 00	Temperature sensor with:		1	
13	900 123 111 21	seal ring seal ring 14 X 20 No longer use the part here		1	
14	991 106 753 02	Distributor tube		1	
15	991 106 754 02	Distributor tube		1	A171
15	991 106 752 03	Distributor tube		1	DABA, DAB, DBCA, DBC, DBCB, DHNA
16	991 106 512 02	Bracket		6	A171, DABA, DAB, DECA, DBC, DBCB
16	991 106 512 02	Bracket		7	GT2 RS DHNA
17	997 106 802 01	Spring		6	
18	997 106 802 03	Spring		2	
19	991 106 525 02	Bracket		2	
20	991 106 413 03	Bracket		2	
21	991 106 711 02	Cross tube		1	
22	991 106 724 00	Water hose		1	
23	996 106 801 02	O-ring		2	
24	999 512 664 09	Hose clamp B 36 X 12		2	
25	991 106 527 02	Bracket		2	
26	991 106 720 02	Cross tube		1	
27	991 106 723 00	Water hose		1	
28	991 106 767 03	Breather line		1	
29	900 378 270 01	Hexagon bolt M 6 X 45		2	
30	900 378 173 01	Hexagon bolt M 6 X 20		2	
31	N 107 603 01	Combination holder 30,0 / 8,0		1	

Model: 991T13

Model life 2014>>



Model: 991T13

Model life 2014>>

Pos	Part Number	Description	Remark	Qty	Model
1	991 106 141 01	Water cooling 3 Radiator Fan Cooler for coolant	left	1	A171,DABA, DAB,DBCA, DBC,DBCB
1	9P1 121 251	Cooler for coolant	left	1	GT2 RS DHNA
(1)	991 106 142 01	Cooler for coolant	right	1	A171,DABA, DAB,DBCA, DBC,DBCB
(1)	9P1 121 252	Cooler for coolant	right	1	GT2 RS DHNA
2	991 624 937 02	Radiator fan Discontinued part		2	A171
(2)	991 624 937 03	Radiator fan		2	DABA,DAB, DBCA,DBC, DBCB,DHNA
(2)	991 624 937 04	Radiator fan		2	
3	999 591 525 40	Spreader rivet 7,30 X 14,2		18	
4	991 106 755 02	Bracket No longer use the part here		2	
(4)	991 106 755 03	Bracket		2	A171,DABA, DAB,DBCA,DBC
(4)	992 121 277	Bracket	also use: 999 919 306 01	2	DBCB,DBC, DHNA
5	991 106 255 02	Cap Assembly aux. material	also use: 999 919 306 01	2	
6	991 106 649 01	Water hose		1	A171,DABA, DAB,DBCA, DBC,DBCB
6	991 106 649 91	Coolant hose		1	GT2 RS DHNA
(6)	991 106 648 01	Water hose		1	A171,DABA, DAB,DBCA, DBC,DBCB
(6)	991 106 648 91	Coolant hose		1	GT2 RS DHNA
7	991 106 355 02	Clip		4	A171
(7)	991 106 355 03	Clip		4	DABA,DAB, DBCA,DBC, DBCB,DHNA
8	991 106 165 01	Console Radiator	left	1	A171,DABA, DAB,DBCA, DBC,DBCB
8	9P1 121 383	Console Radiator	left	1	GT2 RS DHNA
(8)	991 106 166 01	Console Radiator	right	1	A171,DABA, DAB,DBCA, DBC,DBCB
(8)	9P1 121 384	Console Radiator	right	1	GT2 RS DHNA
9	991 106 635 01	Coolant hose	left return short	1	A171,DABA, DAB,DBCA, DBC,DBCB
9	9P1 121 623	Coolant hose	left return short	1	GT2 RS DHNA
(9)	991 106 636 01	Coolant hose	right return short	1	A171,DABA, DAB,DBCA, DBC,DBCB
(9)	9P1 121 624	Coolant hose	right	1	GT2 RS



Model: 991T13 Model life 2014>>

Pos	Part Number	Description	Remark	Qty	Model
			return short		DHNA
10	991 106 631 01	Coolant hose	left feed long	1	A171, DABA, DAB, DBCA, DBC, DBCB
10	9P1 121 611	Coolant hose	left feed long	1	GT2 RS DHNA
(10)	991 106 632 01	Coolant hose	right feed long	1	A171, DABA, DAB, DBCA, DBC, DBCB
(10)	9P1 121 612	Coolant hose	right feed long	1	GT2 RS DHNA
11	991 624 173 00	Rubber bush Fan		12	
12	991 624 177 01	spacer sleeve Fan		6	A171, DABA, DAB, DBCA, DBC, DBCB
12	991 624 175 03	spacer sleeve Fan		6	GT2 RS DHNA
13	999 076 066 09	Hexagon nut M 6		6	
14	991 624 133 01	Cap Fan		2	
15	999 591 938 03	panel nut ST 4,8		2	
16	991 106 331 01	Rubber bush	upper	4	
17	999 919 258 01	Screw 6,0 X 25,0		12	
18	991 106 351 01	Air guide	left	1	A171, DABA, DAB, DBCA, DBC, DBCB
18	9P1 121 333	Air guide	left	1	GT2 RS DHNA
(18)	991 106 352 01	Air guide	right	1	A171, DABA, DAB, DBCA, DBC, DBCB
(18)	9P1 121 334	Air guide	right	1	GT2 RS DHNA
19	999 591 499 03	panel nut ST 4,8		2	A171, DABA, DAB, DBCA, DBC, DBCB
20	991 106 865 01	Breather line	left	1	A171, DABA, DAB, DBCA, DBC, DBCB
20	9P1 121 465	Breather line	left	1	GT2 RS DHNA
(20)	991 106 866 01	Breather line	right	1	A171, DABA, DAB, DBCA, DBC, DBCB
(20)	9P1 121 466	Breather line	right	1	GT2 RS DHNA
21	991 106 245 00	Junction		2	A171, DABA, DAB, DBCA, DBC, DBCB
22	999 919 292 01	fillister hd. bolt 7,0 X 20		4	A171, DABA, DAB, DBCA, DBC, DBCB
23	991 106 241 01	Frame		2	A171, DABA, DAB, DBCA, DBC, DBCB
23	9P1 820 860	Sealing frame		2	GT2 RS

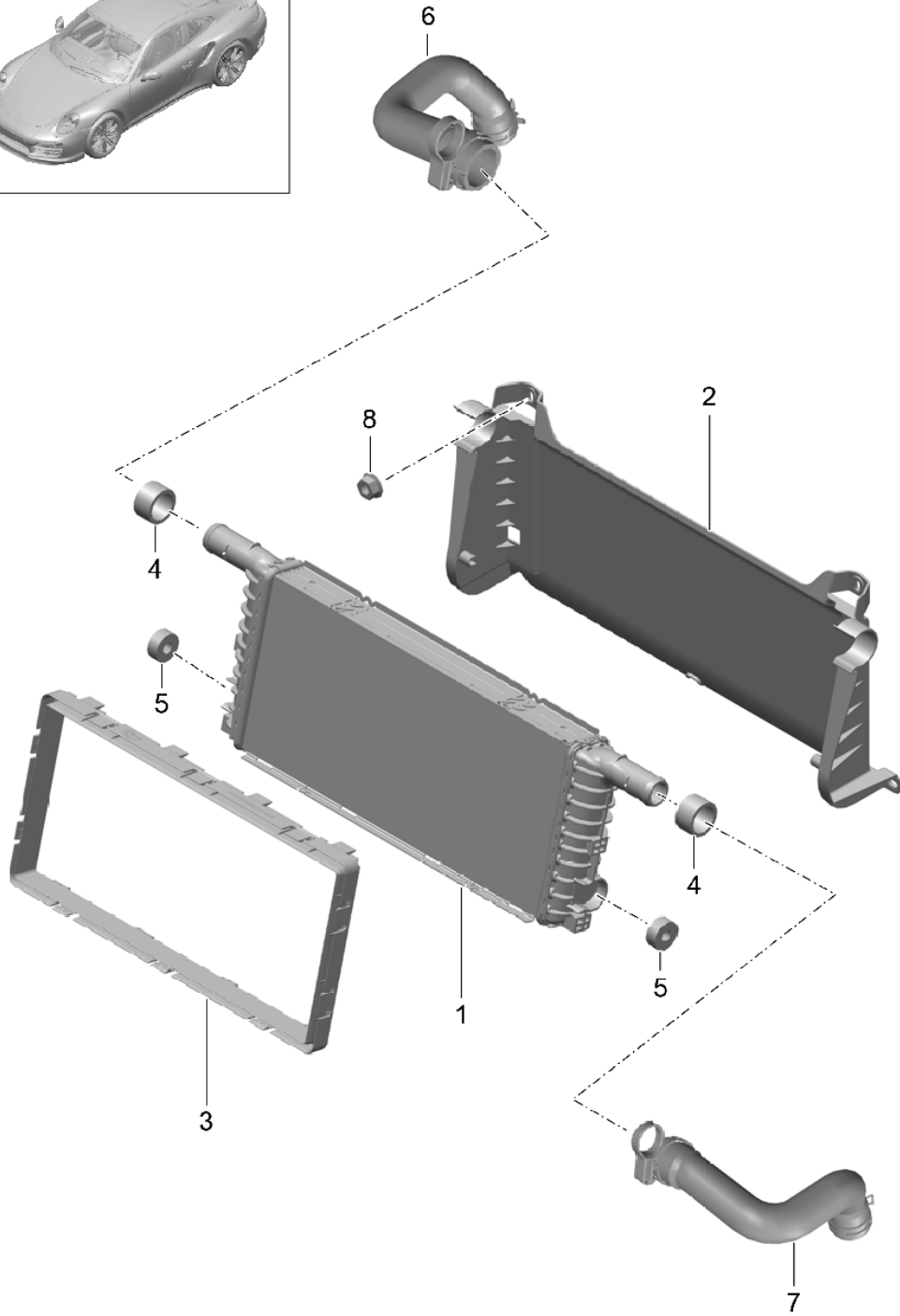
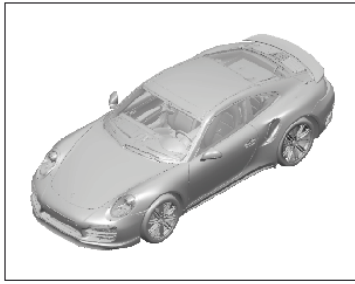
Model: 991T13

Model life 2014>>

Pos	Part Number	Description	Remark	Qty	Model
24	999 507 292 40	Spreader rivet 5,9 X 10,3		2	DHNA A171,DABA, DAB,DBCA, DBC,DBCB
25	991 106 242 01	Bracket		4	A171
(25)	991 106 242 02	Bracket		4	DABA,DAB, DBCA,DBC, DBCB
26	991 106 243 01	Bracket		4	A171
(26)	991 121 241	Bracket		4	DABA,DAB, DBCA,DBC, DBCB,DHNA
27	999 919 133 09	Hexagon bolt M 6 X 20		2	
28	999 919 306 01	Screw Use		4	
		with:			
29	N 105 728 02	991.106.755.03 bolt,hex.hd.with shoul.(combi) M 8 X 50		2	
30	999 591 869 03	panel nut M 8		6	

Model: 991T13

Model life 2014>>



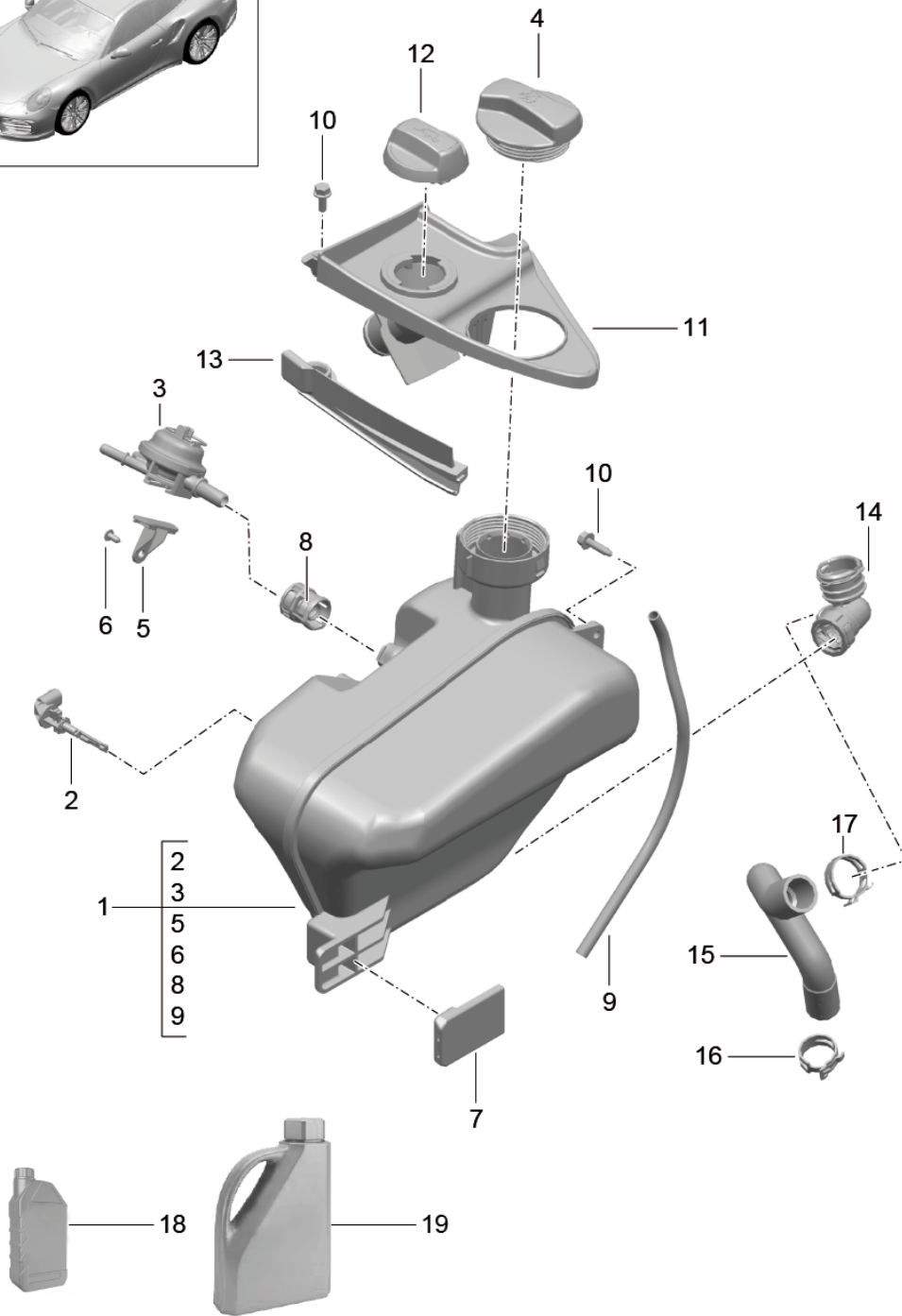
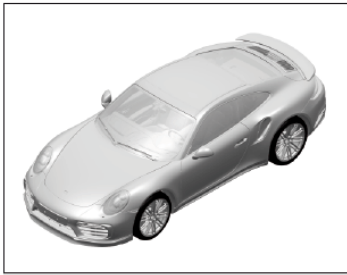
Model: 991T13

Model life 2014>>

Pos	Part Number	Description	Remark	Qty	Model
1	991 106 138 01	Radiator Radiator No longer use the part here	center center	1	
1	991 106 138 02	Radiator	center	1	
2	991 106 238 01	Retaining frame Discontinued part		1	A171
2	991 106 238 02	Retaining frame		1	DABA, DAB, DBCA, DBC, DBCB, DHNA
3	991 106 338 01	Sealing frame		1	
4	991 106 537 01	Rubber bush	upper	2	
5	991 106 538 02	Rubber bush	lower	2	A171, DABA, DAB, DECA, DBC, DECB
5	991 106 538 03	Rubber bush	lower	2	DHNA
6	991 106 649 01	Water hose		1	A171, DABA, DAB, DECA, DBC, DECB
(6)	991 106 649 91	Coolant hose		1	DHNA
7	991 106 648 01	Water hose		1	A171, DABA, DAB, DECA, DBC, DECB
(7)	991 106 648 91	Coolant hose		1	DHNA
8	999 084 638 01	Hexagon nut M 6		4	
-		Air guide Radiator	center		
		see illustration:	802-000		

Model: 991T13

Model life 2014>>



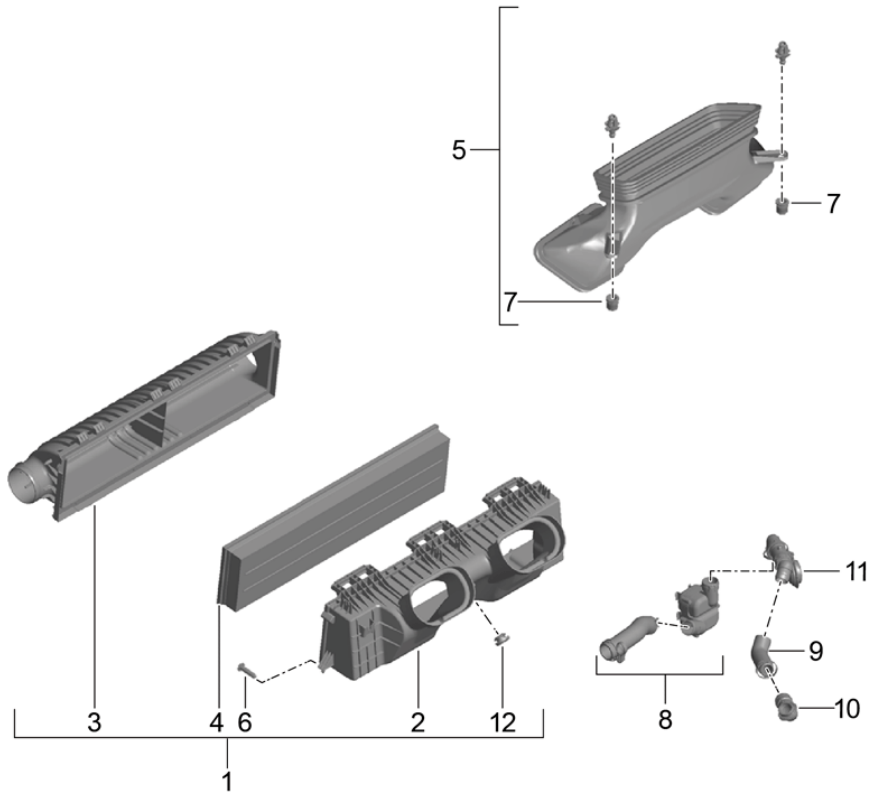
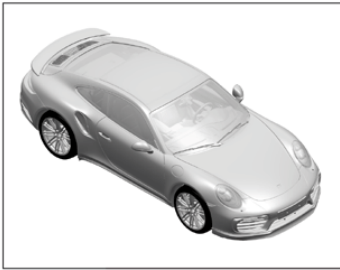
Model: 991T13

Model life 2014>>

Pos	Part Number	Description	Remark	Qty	Model
1	991 106 157 04	Water cooling 4		1	A171
1	991 106 057 05	Water reservoir		1	DABA, DAB, DBCA, DBC, DBCB, DHNA
2	970 606 503 00	water level sender		1	
3	7P5 121 671	Water reservoir		1	A171
3	7P5 121 671 A	Bleed valve		1	DABA, DAB, DBCA, DBC, DBCB, DHNA
4	991 106 457 01	Discontinued part		1	
5	991 106 449 01	Bleed valve		1	
6	999 919 164 01	End cap		1	
7	991 106 357 01	Coolant		1	
8	999 230 595 40	Bracket		1	
9	991 106 297 00	Bleed valve		1	
10	900 378 317 01	fillister hd. bolt		2	
11	991 107 274 02	M 5 X 12		1	A171
11	991 107 274 03	Rubber holder		1	DABA, DAB, DBCA, DBC, DBCB, DHNA
11	9P1 115 653	Coupling		1	DHNA
12	991 107 475 01	Overflow hose		1	A171
12	9P1 115 423	Hexagon bolt		1	DABA, DAB, DBCA, DBC, DBCB, DHNA
13	991 106 473 00	M 6 X 25		1	
14	9A1 106 535 00	Cradle		1	
15	9A1 106 852 00	engine oil		1	
16	999 512 658 09	oil filler pipe		8	
17	999 512 661 09	engine oil		1	
18	000 043 301 47	End cap	1.0 Ltr.	X	
(18)	000 043 305 15	End cap	1.0 Ltr.	X	
19	000 043 301 48	discontinued part	20ltr.	X	
(19)	000 043 305 16	Coolant additive	20ltr.	X	
(19)	000 043 305 64	discontinued part	20ltr.	X	

Model: 991T13

Model life 2014>>



Model: 991T13

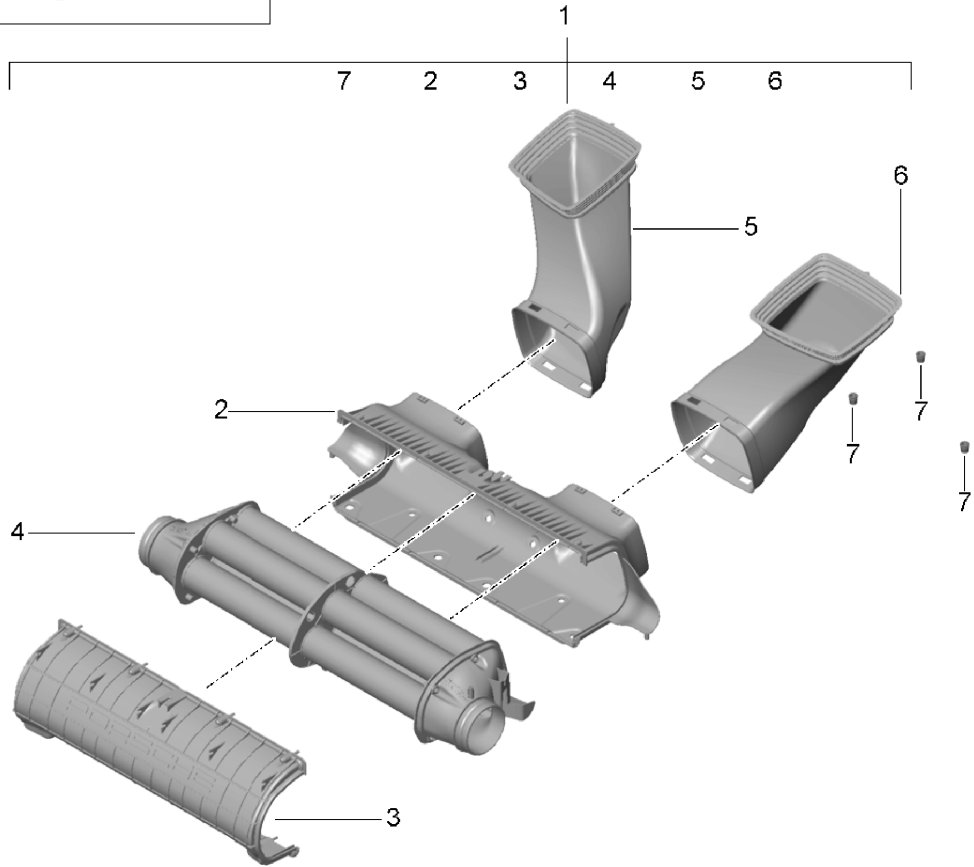
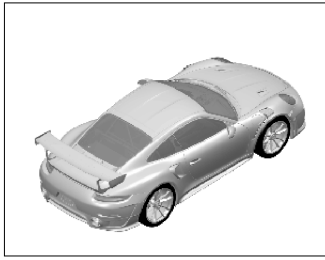
Model life 2014>>

Pos	Part Number	Description	Remark	Qty	Model
		Air filter			A171,DABA, DAB,DECA, DBC,DECB
1	991 110 020 70	Air filter		1	A171
1	991 110 020 71	Air filter		1	DABA,DAB, DBCA,DBC, DECB
2	991 110 122 70	Housing cover		1	A171
2	991 110 122 71	Housing cover		1	DABA,DAB, DBCA,DBC, DECB
3	991 110 121 70	Air filter housing		1	
4	991 110 130 70	Air filter element		1	
5	991 110 171 71	intake manifold		1	
6	999 919 237 00	fillister hd. bolt 5,0 X 20,0		6	
7	997 110 239 00	Support Air guide		2	
8	991 110 028 70	Line Diaphragm Air filter Body		1	
8	991 110 070 71	Line No longer use the part here		1	
9	991 110 283 70	Line Diaphragm Air filter Body		1	
9	991 110 670 71	Line No longer use the part here		1	
10	991 110 282 03	connection piece		1	A171
(10)	9P1 129 637	connection piece		1	DABA,DAB, DBCA,DBC, DECB
11	991 110 019 70	Line Diaphragm		1	
12	997 110 238 00	Stop buffer		1	



Model: 991T13

Model life 2014>>



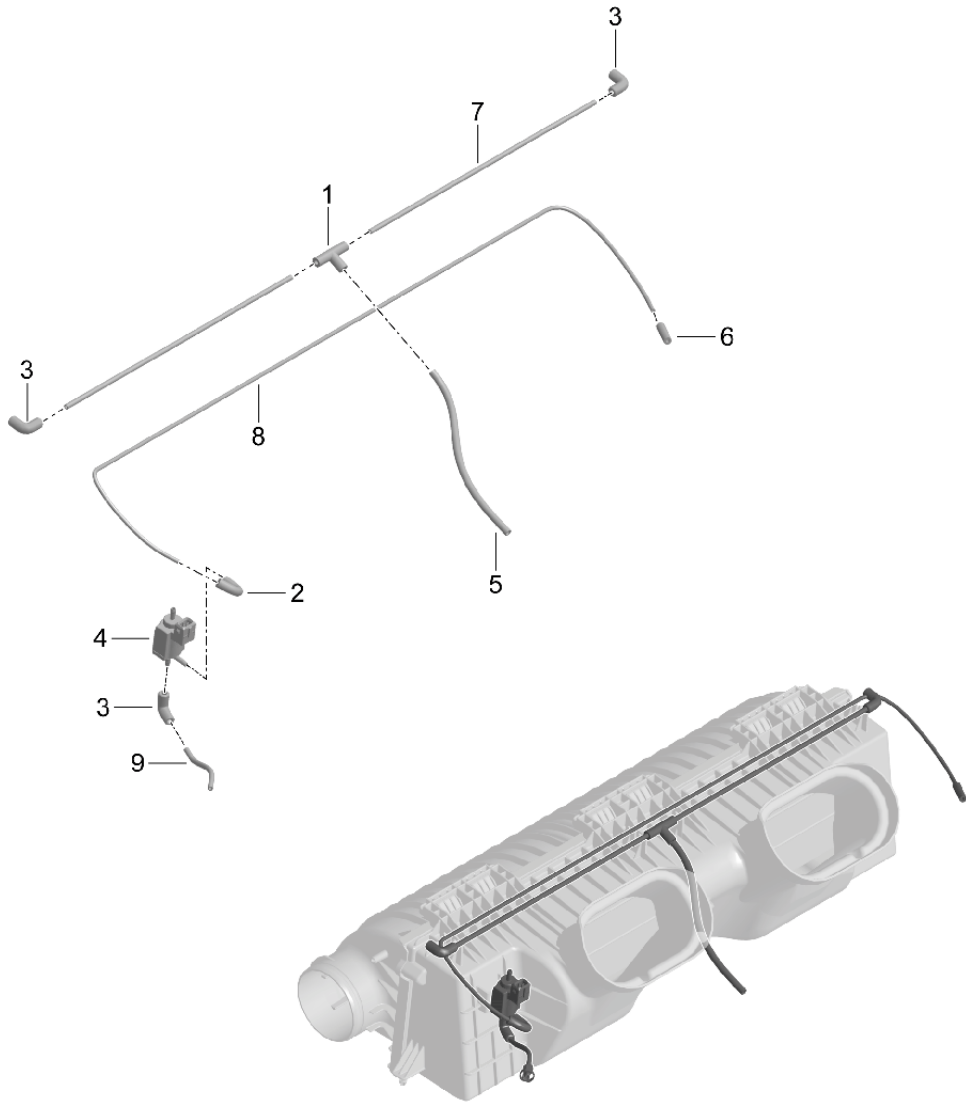
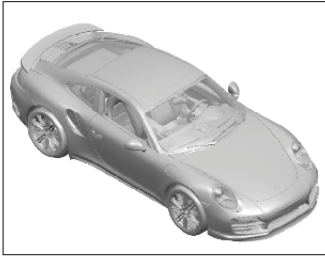
Model: 991T13

Model life 2014>>

Pos	Part Number	Description	Remark	Qty	Model
		Air filter			GT2 RS DHNA
1	9P1 129 601 C	Air filter		1	
2	9P1 129 614 A	housing lower part		1	
3	9P1 129 613 A	Housing upper part		1	
4	9P1 129 620 A	Air filter element		1	
5	9P1 129 527	intake manifold	left	1	
6	9P1 129 528	intake manifold	right	1	
7	997 110 239 00	Support		3	
		Air guide			

Model: 991T13

Model life 2014>>



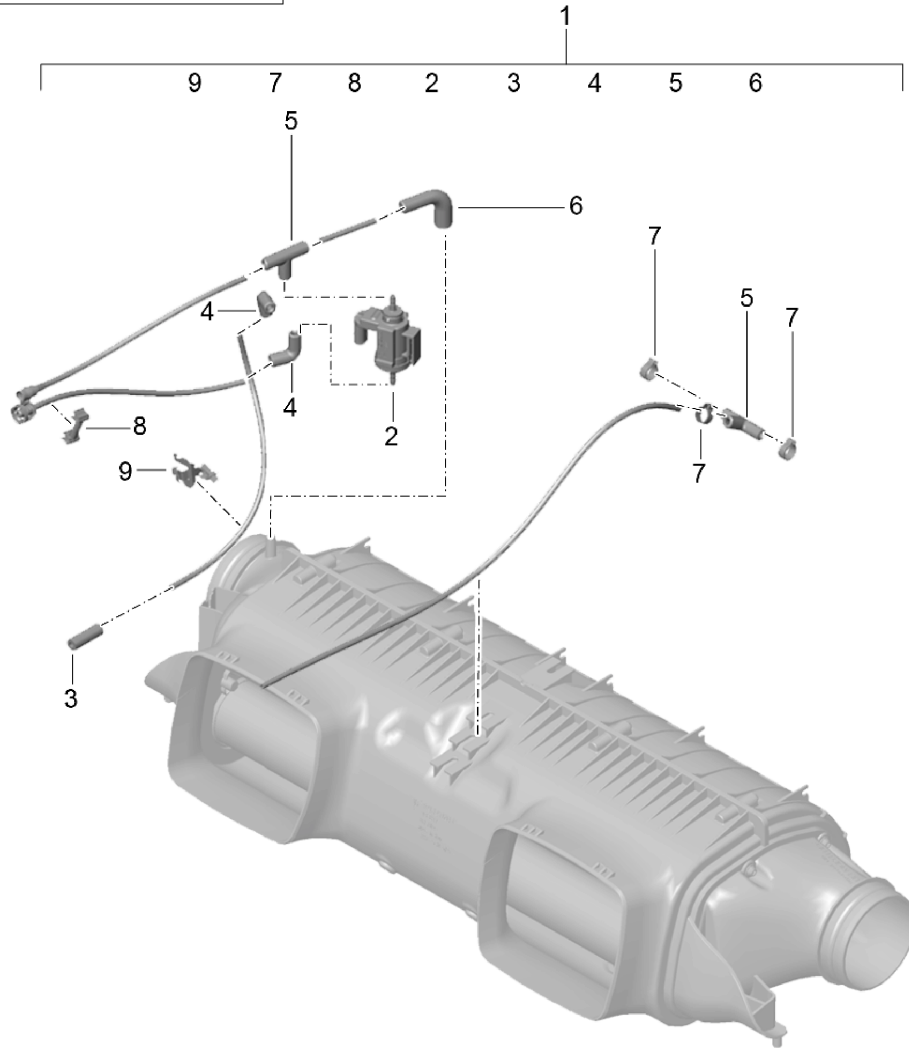
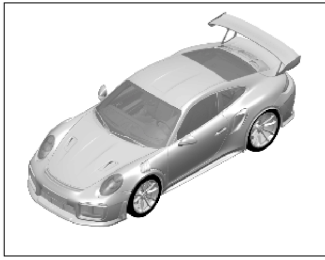
Model: 991T13

Model life 2014>>

Pos	Part Number	Description	Remark	Qty	Model
		Air filter Vacuum control			A171,DABA, DAB,DECA, DBC,DBCB
1	06E 133 794	t-piece		1	
2	928 574 717 06	Molded hose		1	A171
2	928 574 717 07	Molded hose		1	DABA,DAB, DBCA,DBC
2	9P1 129 487	No longer use the part here Molded hose		1	DABA,DAB, DBCA,DBC, DBCB
3	9A1 110 666 00	Connecting piece		3	
4	7PP 906 283 C	Change-over valve		1	
4	7PP 906 283 F	No longer use the part here Change-over valve		1	
4	7PP 906 283 F	F 99-FS111 979>> Change-over valve		1	
			also use: 991 612 944 00		
-	991 612 944 00	F >> 99-FS111 978 Wire set for Change-over valve F >> 99-FS111 978		1	
5	999 181 445 40	Protective hose 5 X 200		1	
6	999 239 040 40	Connecting piece		1	
-	900 918 005 40	Pipe Vacuum line 5,0 X 1,0		X	
7		Vacuum line L = 295MM Not Use		1	
7		Vacuum line L = 315MM		1	
-	000 043 205 01	Pipe Vacuum line 4,0 X 1,0		*	
8		Vacuum line L = 885MM		1	
9	999 181 487 40	Pipe 5,0 X 1,0 X 98		1	

Model: 991T13

Model life 2014>>



Model: 991T13

Model life 2014&gt;&gt;

Pos	Part Number	Description	Remark	Qty	Model
1	991 110 180 80	Air filter Vacuum control Vacuum line (complete)		1	GT2 RS DHNA
2	7PP 906 283 F	Change-over valve		1	
3	999 239 048 40	Hose		1	
4	9A1 110 666 00	Connecting piece		2	
5	0PC 133 794	t-piece		2	
6	9A1 110 667 00	Molded hose		1	
7	999 512 707 00	Ear crimp hose clamp		3	
8	999 507 866 40	Line holder		1	
9	999 651 363 01	Cable holder		1	



Model: 991T13

Model life 2014>>

Pos	Part Number	Description	Remark	Qty	Model
1	9A1 110 859 72	Fuel collection pipe high pressure pump Fuel collection pipe	cylinders 1-3	1	A171
1	9A1 110 859 76	Fuel collection pipe	cylinders 1-3	1	DABA, DAB, DBCA, DBC, DBCB, DHNA A171
1	9A1 110 860 73	Fuel collection pipe	cylinders 4-6	1	A171
1	9A1 110 860 76	Fuel collection pipe	cylinders 4-6	1	DABA, DAB, DBCA, DBC, DBCB, DHNA A171
2	9A1 110 866 04	Fixing Fuel collection pipe high-pressure injector		6	A171
2	946 110 228 60	Bracket Fuel collection pipe high-pressure injector		6	DABA, DAB, DBCA, DBC, DBCB, DHNA
3	900 385 048 01	Torx screw M6 X 30		8	
4	948 606 230 02	Pressure sensor M10 X 1		1	A171
4	06J 906 051 F	Pressure sensor		1	DABA, DAB, DBCA, DBC, DBCB
4	9A7 906 054 30	Pressure sensor		1	DHNA
5	9A1 110 128 71	high-pressure injector		6	A171
5	9A1 110 222 31	high-pressure injector		6	DABA, DAB, DBCA, DBC, DBCB, DHNA A171
6	999 701 112 41	O-ring 7,52 X 3,51		6	A171
6	999 701 187 41	O-ring 5,94 X 3,53		6	DABA, DAB, DBCA, DBC,
7	9A1 110 524 02	Bellows high-pressure injector		6	
8	900 906 011 02	snap ring A 14		6	A171
8	946 110 628 60	Securing ring		6	DABA, DAB, DBCA, DBC, DBCB, DHNA A171
9	9A1 110 520 01	Spacer ring		6	A171
9	9A2 110 328 00	Spacer ring		6	DABA, DAB, DBCA, DBC, DBCB, DHNA A171
10	999 704 020 90	seal ring 6,3 X 2,8		6	A171
10	946 110 428 60	seal ring		6	DABA, DAB, DBCA, DBC, DBCB, DHNA A171
11	9A1 110 094 70	Pressure line high pressure pump		1	A171
11	9A1 110 096 70	Pressure line high pressure pump		1	DABA, DAB, DBCA, DBC, DBCB, DHNA
12	999 701 362 40	O-ring		1	
13	9A1 110 945 70	bracket for pressure line		1	A171, DABA, DAB, DBCA, DBC, DBCB
13	9A1 110 945 71	bracket for pressure line		1	GT2 RS DHNA
14	900 385 041 01	Torx screw M6 X 12		4	



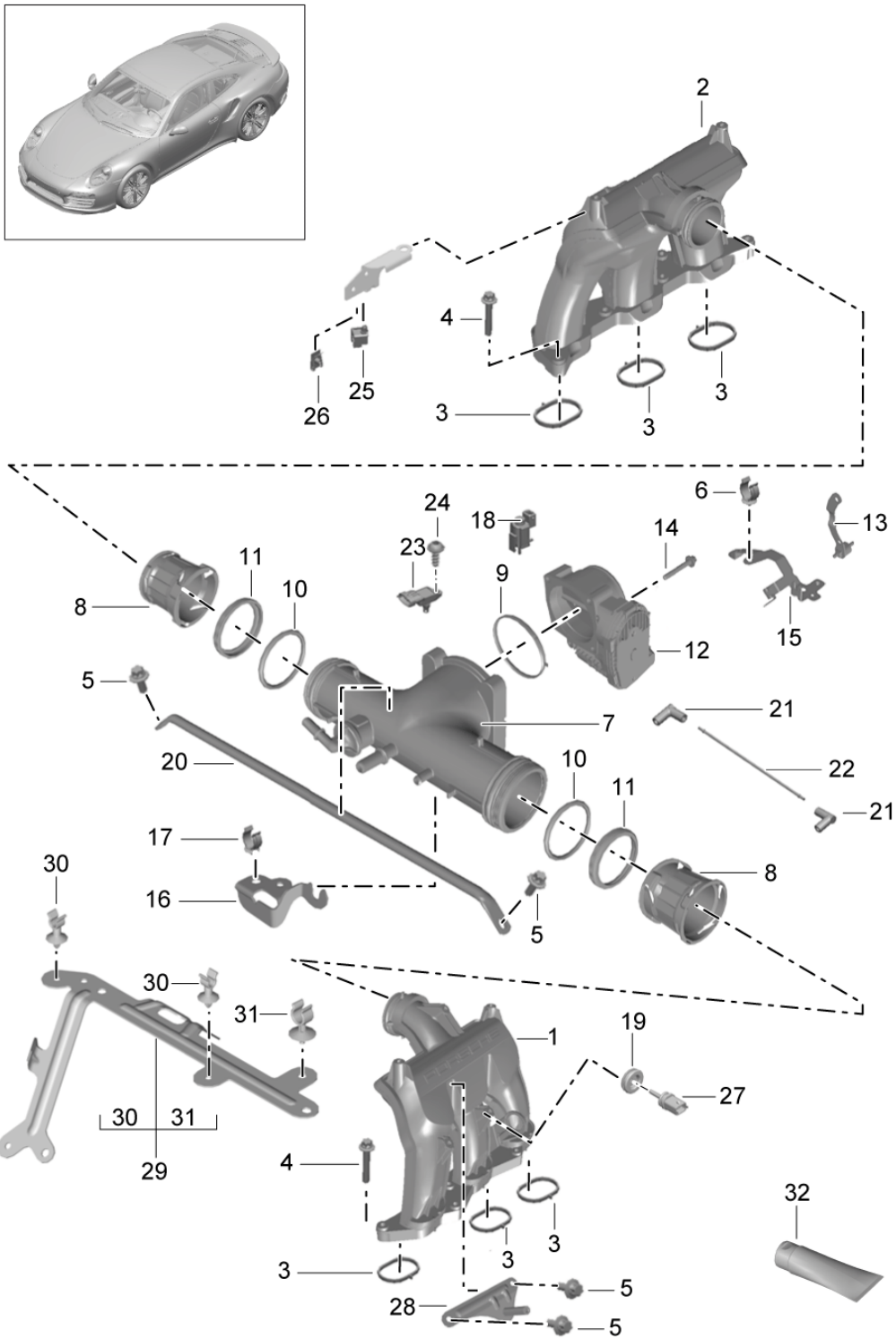
Model: 991T13

Model life 2014&gt;&gt;

Pos	Part Number	Description	Remark	Qty	Model
15	9A1 110 947 02	bracket for pressure line		1	
16	900 385 009 01	Torx screw M6 X 16		4	
17	9A1 110 095 71	Pressure line high pressure pump		1	A171
17	9A1 110 099 70	Pressure line high pressure pump		1	DABA,DAB, DBCA,DEC, DBCB,DHNA
18	9A1 110 940 02	bracket for pressure line		1	
19	900 219 006 01	sealing plug M12 X 1,5		1	
20	999 511 801 01	Hose clamp 8 X 15		1	
21	9A1 110 906 70	Fuel line		1	A171,DABA, DAB,DBCA, DBC,DBCB
21	9A1 110 906 81	Fuel line		1	GT2 RS DHNA
22	9A1 110 315 72	high pressure pump		1	A171
22	9A1 110 318 70	high pressure pump		1	DABA,DAB, DBCA,DEC, DBCB,DHNA
23	999 707 643 40	O-ring 55,25 X 2,62		1	
24	900 385 072 01	Torx screw M6 X 25		4	
25	9A1 110 880 70	Cover high pressure pump		1	
26	900 385 045 01	Torx screw M6 X 40		1	
27	9A1 110 885 70	Heat insulation high pressure pump		1	
28	000 043 207 35	Grease 30 ML		1	
29	000 043 303 27	Lubricants 50 ML		1	
30	999 507 930 40	Hose bracket		1	
31	N 107 224 01	Distance piece		1	
32	999 651 386 03	Cable clamp 5,5 - 9,0		1	
33	999 653 067 40	Connector Pressure sensor		1	

Model: 991T13

Model life 2014>>



Model: 991T13

Model life 2014>>

Pos	Part Number	Description	Remark	Qty	Model
1	9A1 110 035 70	intake air distributor throttle valve adapter		1	A171
1	9A1 110 045 71	intake air distributor intake air distributor	cylinders 1-3 cylinders 1-3	1	DABA,DAB, DBCA,DBC, DBCB,DHNA
2	9A1 110 036 70	intake air distributor	cylinders 4-6	1	A171
2	9A1 110 046 71	intake air distributor	cylinders 4-6	1	DABA,DAB, DBCA,DBC, DBCB
2	9A1 110 046 72	Discontinued part intake air distributor	cylinders 4-6	1	DAB,DBCA, DBC,DBCB
2	9A1 110 046 80	intake air distributor	cylinders 4-6	1	GT2 RS DHNA
3	9A1 110 215 01	Seal		6	
4	900 385 270 01	Hexagon head bolt M6 X 35		12	
5	900 385 041 01	Torx screw M 6 X 12		4	
6	999 507 930 40	Hose bracket 21,0 - 23,0		2	
7	9A1 110 037 70	Distributor tube		1	A171
7	9A2 110 037 02	Distributor tube		1	DABA,DAB, DBCA,DBC DBCB,DBC, DHNA
7	9A2 110 137 02	Distributor tube		1	
8	9A1 110 222 71	Sleeve		2	
9	997 110 319 00	Seal		1	A171
9	9A2 110 320 00	Distributor tube Seal Distributor tube		1	DABA,DAB, DBCA,DBC, DBCB,DHNA
10	999 707 642 40	O-ring		2	
11	9A1 110 223 70	seal ring		2	
12	997 605 115 01	throttle valve adapter		1	A171
12	9A2 605 115 02	throttle valve adapter		1	DABA,DAB, DBCA,DBC, DBCB,DHNA
13	9A1 110 290 71	angle throttle valve adapter		1	A171
13	9A2 110 290 00	Retaining bracket throttle valve adapter		1	DABA,DAB, DBCA,DBC, DBCB,DHNA
14	900 385 045 01	Torx screw BM 6 X 40		4	
15	9A1 110 292 01	Bracket throttle valve adapter		1	
16	9A1 110 292 71	Bracket throttle valve adapter		1	A171
16	9A1 110 289 70	Bracket throttle valve adapter		1	DABA,DAB, DBCA,DBC, DBCB,DHNA
16	0PB 129 089 A	Bracket throttle valve adapter		1	DHNA
16	9A1 110 289 80	Bracket throttle valve adapter		1	DHNA
17	999 507 930 40	Hose bracket		2	
18	7PP 906 283 C	Change-over valve No longer use the part here		1	
18	7PP 906 283 F	Change-over valve F 99-FS111 979>>		1	
18	7PP 906 283 F	Change-over valve also use:	991 612 944 00	1	

Model: 991T13

Model life 2014>>

Pos	Part Number	Description	Remark	Qty	Model
-	991 612 944 00	F >> 99-FS111 978 Wire set for Change-over valve		1	
19	993 110 530 01	F >> 99-FS111 978 Grommet		1	A171,DABA, DAB,DBCA, DBC,DBCB
19	958 606 530 00	Grommet		1	GT2 RS DHNA
20	9A1 110 249 70	Bracket intake air distributor		1	
21	999 239 045 40	Molded hose 3,5 X 2,0 X 60 No longer use the part here		2	
21	999 239 042 40	Hose 3,5 X 2,0 X 75		2	
22	999 181 373 40	Pipe 4,0 X 1,0 X 230		1	
23	991 606 180 00	Pressure sensor		1	A171
23	06E 906 051 AA	Pressure sensor No longer use the part here		1	DABA,DAB, DBCA,DBC
23	9A7 906 051 00	Pressure sensor		1	DABA,DAB, DBCA,DBC, DBCB
23	9A7 906 051 10	Pressure sensor		1	GT2 RS DHNA
24	999 919 241 01	Oval-head screw M 6 X 15 No longer use the part here		1	
24	999 919 134 09	fillister hd. bolt M 6 X 16		1	
25	999 507 886 40	Hose bracket		1	
26	999 591 882 01	panel nut M 6		1	
27	997 606 213 00	Temperature sensor Engine bay		1	A171,DABA, DAB,DBCA, DBC,DBCB
27	958 606 213 00	Temperature sensor Engine bay		1	GT2 RS DHNA
28	9A1 113 105 75	Bracket Air injection		1	
29	9A1 110 151 70	Bracket	cylinders 4-6	1	A171,DABA, DAB,DBCA, DBC,DBCB
29	9A1 110 151 80	Bracket	cylinders 4-6	1	DHNA
30	999 507 286 40	Bracket 6,0		2	
31	999 507 045 40	Line holder 10,0		1	
32	000 043 204 68	Grease KLÜBER SYNTHESO GLEP 1		1	



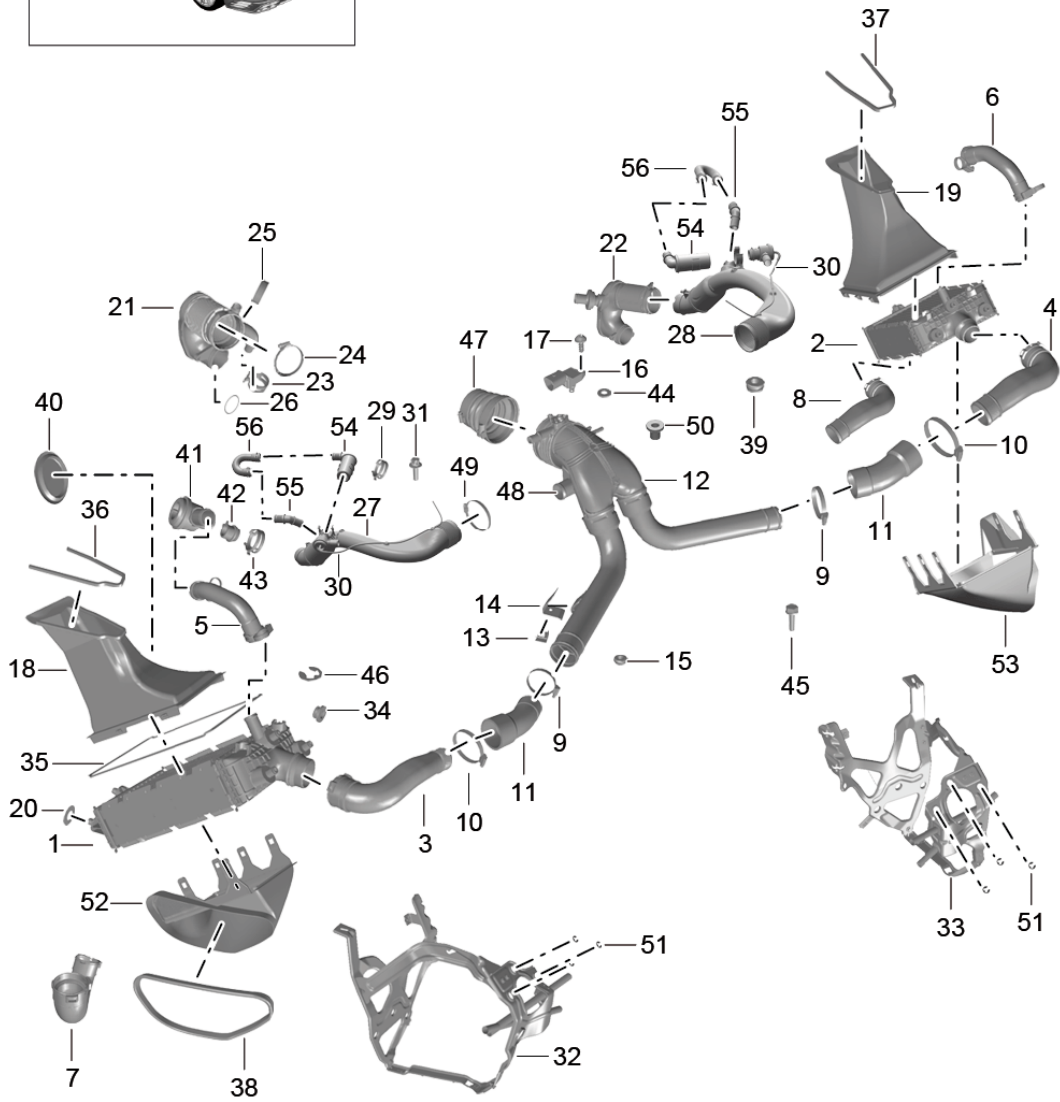
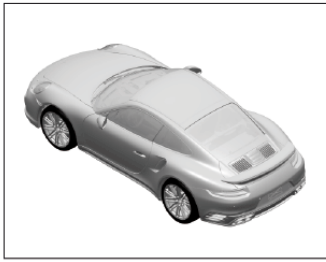
Model: 991T13

Model life 2014>>

Pos	Part Number	Description	Remark	Qty	Model
		vacuum system			
		Engine			
1	9A1 110 082 71	Vacuum line		1	A171
(1)	9A1 110 082 72	Vacuum line		1	DABA, DAB, DBCA, DBC, DBCB
(1)	9A1 110 082 76	Vacuum line		1	DABA, DAB, DBCA, DBC
(1)	9A1 110 082 80	Vacuum line	No longer use the part here	1	GT2 RS DHNA
2	928 574 717 06	Molded hose		1	A171
2	928 574 717 07	Molded hose	Discontinued part	1	A171
2	9P1 129 487	Molded hose	No longer use the part here	1	A171
2	928 574 717 07	Molded hose		2	DABA, DAB, DBCA, DBC
2	9P1 129 487	Molded hose	No longer use the part here	2	DABA, DAB, DBCA, DBC, DBCB
3	9A1 110 666 00	Connecting piece		1	A171, DABA, DAB, DECA, DBC, DECB
4	991 110 181 70	Vacuum line		1	A171, DABA, DAB, DECA, DBC, DECB
5	9A1 110 085 70	Vacuum line		1	A171, DABA, DAB, DECA, DBC, DECB
		Valve	with:		
5	9A1 110 085 81	Vacuum line		1	GT2 RS DHNA
		Valve	with:		
6	9A1 605 125 01	Change-over valve		1	
7	999 512 498 00	Hose clamp		2	
		13,1 - 15,3			
8	996 110 695 71	Molded hose		4	A171, DABA, DAB, DECA, DBC, DECB
8	996 110 695 71	Molded hose		1	GT2 RS DHNA
9	9A1 110 667 00	Molded hose		2	GT2 RS DHNA
		Use	with:		
		9A1.110.085.81			
10	999 512 527 00	Clamp		3	A171, DABA, DAB, DECA, DBC, DECB
		8,5 - 10,0			
10	999 512 527 00	Clamp		3	GT2 RS DHNA
		8,5 - 10,0			
11	N 102 035 01	Clamp		2	GT2 RS DHNA
		11,3 X 5 X 0,5			

Model: 991T13

Model life 2014>>



Model: 991T13

Model life 2014>>

Pos	Part Number	Description	Remark	Qty	Model
		Turbocharging			
1	991 110 639 72	Charge air cooler	left	1	A171
1	991 110 639 73	Charge air cooler	left	1	DABA,DAB, DBCA,DBC, DBCB
1	991 110 639 80	Charge air cooler	left	1	GT2 RS DHNA
2	991 110 640 72	Charge air cooler	right	1	A171
2	991 110 640 73	Charge air cooler	right	1	DABA,DAB, DBCA,DBC, DBCB
2	991 110 640 80	Charge air cooler	right	1	GT2 RS DHNA
3	991 110 625 71	Pressure line	left	1	
4	991 110 626 71	Pressure line	right	1	
5	991 110 237 71	Hose cut-off valve	left	1	A171
(5)	991 110 241 70	Hose cut-off valve	left	2	DABA,DAB, DBCA,DBC, DBCB,DHNA
(5)	991 110 237 80	Hose cut-off valve	left	1	GT2 RS DHNA
6	991 110 238 71	Hose cut-off valve	right	1	A171
(6)	991 110 242 70	Hose cut-off valve	right	1	DABA,DAB, DBCA,DBC, DBCB
(6)	991 110 238 80	Hose cut-off valve	right	1	GT2 RS DHNA
7	991 110 635 71	Pressure hose Exhaust gas turbocharger	left	1	A171,DABA, DAB,DBCA, DBC,DBCB
7	991 110 635 81	Pressure hose Exhaust gas turbocharger	left cylinders 1-3	1	GT2 RS DHNA
8	991 110 636 71	Pressure hose Exhaust gas turbocharger	right cylinders 1-3	1	A171
8	991 110 636 72	Pressure hose Exhaust gas turbocharger	right cylinders 4-6	1	DABA,DAB, DBCA,DBC, DBCB
8	991 110 636 81	Pressure hose Exhaust gas turbocharger	right cylinders 4-6	1	GT2 RS DHNA
9	999 512 348 01	Hose clamp 40 - 60		2	
10	999 512 349 01	Hose clamp 50 - 70		2	
11	991 110 646 72	Pressure hose for pressure pipe		2	
12	991 110 050 70	pressure pipe Discontinued part		1	A171
12	991 110 050 71	pressure pipe		1	A171
12	991 110 070 70	Line pressure pipe		1	DABA,DAB, DBCA,DBC, DBCB
			with:		
12	991 110 070 80	Sensor Line pressure pipe		1	GT2 RS DHNA
			with:		
		Sensor			



Model: 991T13 Model life 2014>>

Pos	Part Number	Description	Remark	Qty	Model
13	999 507 246 01	panel nut M 6		2	
14	991 110 144 70	Bracket pressure pipe		2	
15	999 702 043 50	Grommet		2	
16	991 606 180 00	Pressure sensor		1	A171
16	06E 906 051 AA	Pressure sensor No longer use the part here		1	DABA,DAB, DBCA,DBC, DBCB
(16)	9A7 906 051 10	Pressure sensor		1	DABA,DAB, DBCA,DBC, DBCB,DHNA
17	999 919 241 01	Oval-head screw M 6 X 15 No longer use the part here		1	
17	999 919 134 09	fillister hd. bolt M 6 X 16		1	
18	991 575 657 00	Air guide	left	1	A171,DABA, DAB,DBCA, DBC,DBCB
18	991 575 657 82	Air guide	left	1	GT2 RS DHNA
19	991 575 658 00	Air guide	right	1	A171,DABA, DAB,DBCA, DBC,DBCB
19	991 575 658 82	Air guide	right	1	GT2 RS DHNA
20	999 025 255 01	Washer 16 X 32 X 0,5		8	
21	9A1 110 041 72	connection piece suction line	cylinders 1-3	1	A171,DABA, DAB,DBCA, GT2 RS
21	9A1 110 041 80	connection piece suction line	cylinders 1-3	1	DHNA
22	9A1 110 042 72	connection piece suction line	cylinders 4-6	1	A171,DABA, DAB,DBCA, GT2 RS
22	9A1 110 042 80	connection piece suction line	cylinders 4-6	1	DHNA
23	999 512 744 01	Clamp B 19 X 12		1	
24	999 512 779 01	Hose clamp 50 - 70		2	
25	999 512 456 00	Clamp 19,8 - 22,6		1	
26	999 707 564 40	O-ring		2	A171,DABA, DAB,DBCA, DBC,DBCB
27	991 110 023 71	suction line	left	1	A171
27	991 110 023 72	suction line	left	1	DABA,DAB, DBCA,DBC, DBCB
27	991 110 023 80	suction line	left	1	GT2 RS DHNA
28	991 110 024 71	suction line	right	1	A171
28	991 110 024 72	suction line	right	1	DABA,DAB, DBCA,DBC, DBCB
28	991 110 024 80	suction line	right	1	GT2 RS DHNA
29	999 512 662 09	Hose clamp		2	
30		Pipe Not available To Use		2	A171,DABA, DAB,DBCA, DBC,DBCB

Model: 991T13 Model life 2014>>

Pos	Part Number	Description	Remark	Qty	Model
		99111002371	left		
		99111002372	left		
		or			
		99111002471	right		
		99111002472	right		
31	900 385 019 01	Torx screw M 6 X 20		4	
32	991 504 253 00	Console	left	1	A171, DABA, DAB, DBCA, DBC, DBCB
32	991 504 253 82	Console	left	1	GT2 RS DHNA
33	991 504 254 00	Console	right	1	A171, DABA, DAB, DBCA, DBC, DBCB
33	991 504 254 82	Console	right	1	GT2 RS DHNA
34	991 504 849 00	Grommet		6	A171, DABA, DAB, DBCA, DBC, DBCB
34	991 504 849 00	Grommet		8	GT2 RS DHNA
35	991 575 869 00	Seal Charge air cooler		2	A171, DABA, DAB, DBCA, DBC, DBCB
36	991 575 789 00	Seal Air guide		1	A171, DABA, DAB, DBCA, DBC, DBCB
37	991 575 790 00	Seal Air guide		1	A171, DABA, DAB, DBCA, DBC, DBCB
38	991 575 889 00	Seal		2	A171
38	991 575 889 02	Seal		2	DABA, DAB, DBCA, DBC, DBCB
39	999 702 319 41	Grommet		4	
40	997 575 777 00	Cover Air-guide cowl		2	
41	9A1 110 337 70	cut-off valve		2	
42	9A1 110 662 70	Rubber sleeve		2	A171, DHNA
42	9A1 110 662 70	Rubber sleeve		4	DABA, DAB, DBCA, DBC, DBCB
43	999 512 662 09	Hose clamp Clip 32 X 12		2	A171
43	999 512 662 09	Hose clamp Clip 32 X 12		4	DABA, DAB, DBCA, DBC, DBCB
44	900 025 008 03	Washer A 10,5		4	
45	900 075 341 01	Bolt with washer M 6 X 25		2	
45	N 101 586 05	bolt, hex. hd. with shoul. (combi) M 6 X 25		2	DHNA
46	900 116 007 02	fuse 8		4	
47	997 110 647 73	Rubber sleeve		1	A171
47	991 110 677 71	Rubber sleeve		1	DABA, DAB, DBCA, DBC, DBCB, DHNA
48	999 512 348 01	Hose clamp 40 - 60		6	

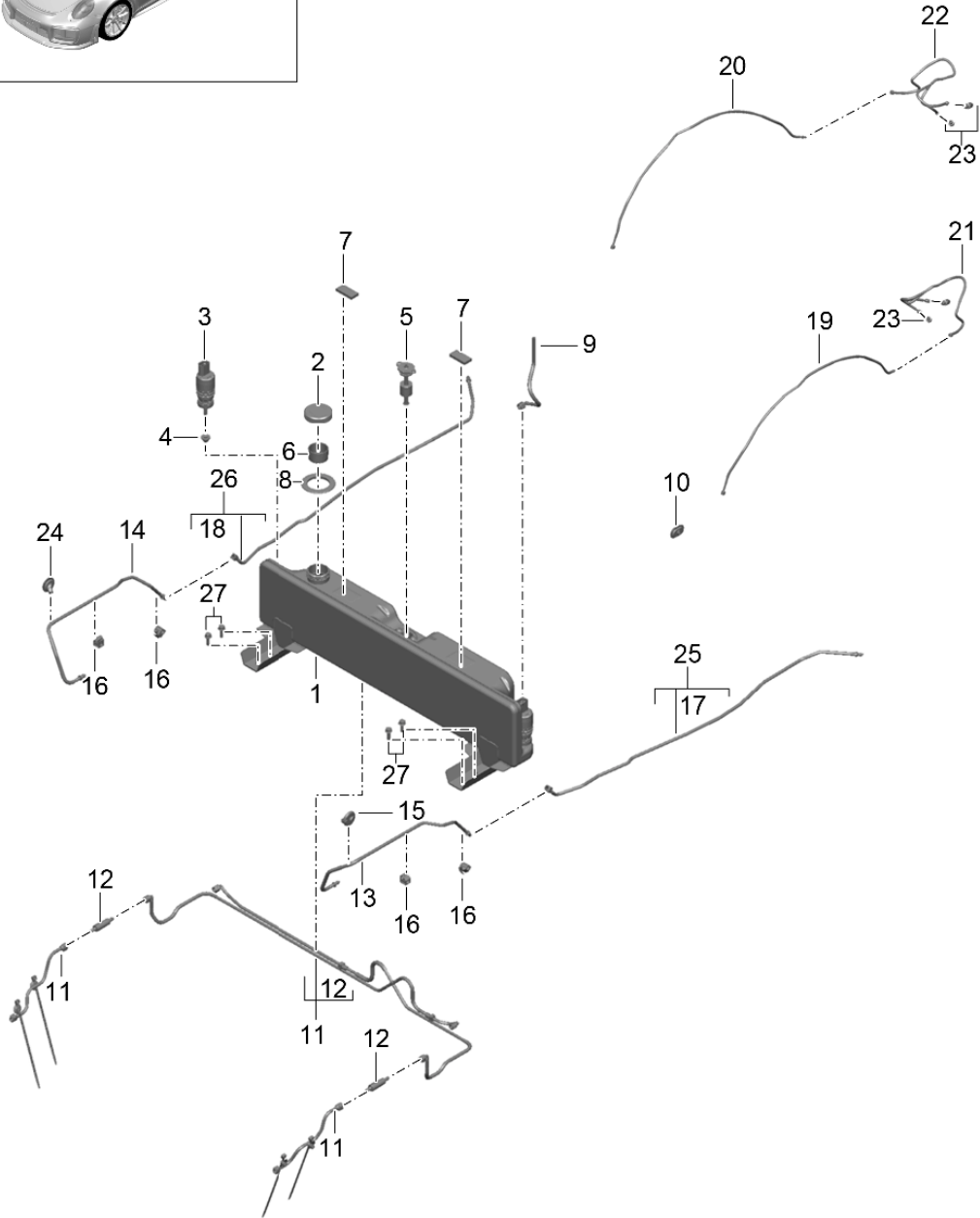
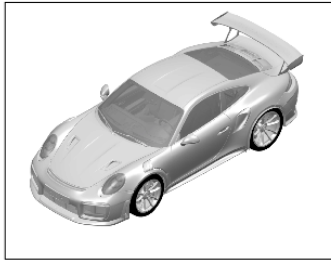
Model: 991T13

Model life 2014>>

Pos	Part Number	Description	Remark	Qty	Model
49	999 512 698 01	Hose clamp 70 - 90		2	
50	999 703 267 40	bush pressure pipe 12 X 25,6 X 17		X	
51	900 116 015 09	Retaining washer Charge air cooler 10		12	A171, DABA, DAB, DBCA, DBC, DBCB
51	900 116 015 09	Retaining washer Charge air cooler 10		8	GT2 RS DHNA
52	991 575 571 00	Air guide No longer use the part here	left	1	A171
	991 575 571 00 1E0	Black			
52	991 575 471 00	Air guide	left	1	A171
	991 575 471 00 1E0	Black			
52	991 575 471 03	Air guide	left	1	DABA, DAB, DBCA, DBC, DBCB
	991 575 471 03 OK1	Matt black			
52	991 575 471 80	Air guide	left	1	GT2 RS DHNA
	991 575 471 80 OK1	Matt black			
53	991 575 572 00	Air guide No longer use the part here	right	1	A171
	991 575 572 00 1E0	Black			
53	991 575 472 00	Air guide	right	1	A171
	991 575 472 00 1E0	Black			
53	991 575 472 03	Air guide	right	1	DABA, DAB, DBCA, DBC, DBCB
	991 575 472 03 OK1	Matt black			
53	991 575 472 80	Air guide	right	1	GT2 RS DHNA
	991 575 472 80 OK1	Matt black			
54	991 110 631 70	Resonance tube		2	DABA, DAB, DBCA, DBC, DBCB
55	991 110 634 70	connection piece		2	DABA, DAB, DBCA, DBC, DBCB
56	991 110 242 70	Hose		2	DABA, DAB, DBCA, DBC, DBCB

Model: 991T13

Model life 2014>>



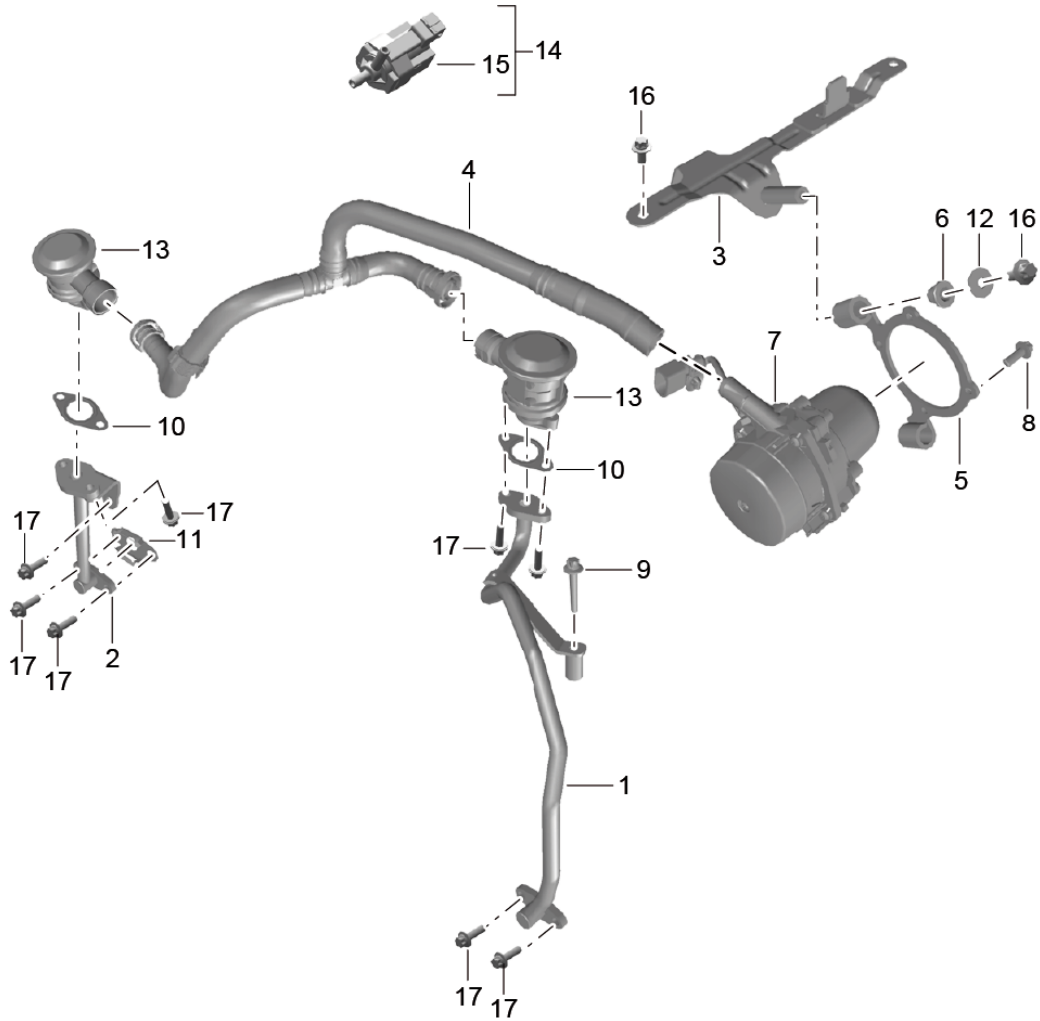
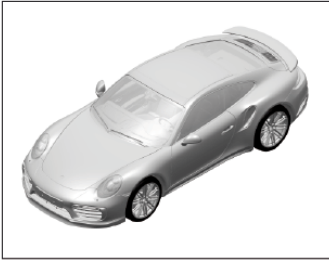
Model: 991T13

Model life 2014>>

Pos	Part Number	Description	Remark	Qty	Model
		Water cooling Charge air cooler			GT2 RS DHNA
1	9P3 805 386	Water reservoir for water water-spray system		1	
2	9P3 821 335	End cap Water reservoir		1	
3	1K5 955 651	Windscreen washer system pump		2	
4	955 628 712 00	Seal Pump		2	
5	9P3 907 658	Sensor Water reservoir		1	
6	9P3 955 485	strainer Water reservoir		1	
7	991 551 430 80	Cover Water reservoir		1	
8	991 551 431 80	Cover ring Water reservoir		1	
9	9P3 806 369	Breather line WASSERBEHAELTER		1	
10	9P3 805 746	Grommet		2	
11	9P3 806 370	Line Water cooling	front	1	
		with:			
12	9P3 819 619	Filter		2	
13	9P3 806 407 A	Line Water cooling	front left	1	
14	9P3 806 408 A	white Line Water cooling	front right	1	
15	9P3 805 673	yellow Grommet		1	
16	991 504 429 80	Line holder		12	
17	9P3 806 409	Line Water cooling	left	1	
		Underbody white			
18	9P3 806 410	Line Water cooling	right	1	
		Underbody yellow			
19	9P3 806 425	Line Water cooling	rear left	1	
20	9P3 806 426	Line Water cooling	rear right	1	
21	9P3 806 433	Line Water cooling	left	1	
		Charge air cooler			
22	9P3 806 434	Line Water cooling	right	1	
		Charge air cooler			
23	9P3 115 531	Water jet		4	
24	9P3 805 674	Grommet		2	
25	9P3 806 367 A	Line Water cooling	left	1	
26	9P3 806 368 A	Line Water cooling	right	1	
27	N 106 533 02	Hex collared bolt M 6 X 20		4	

Model: 991T13

Model life 2014>>



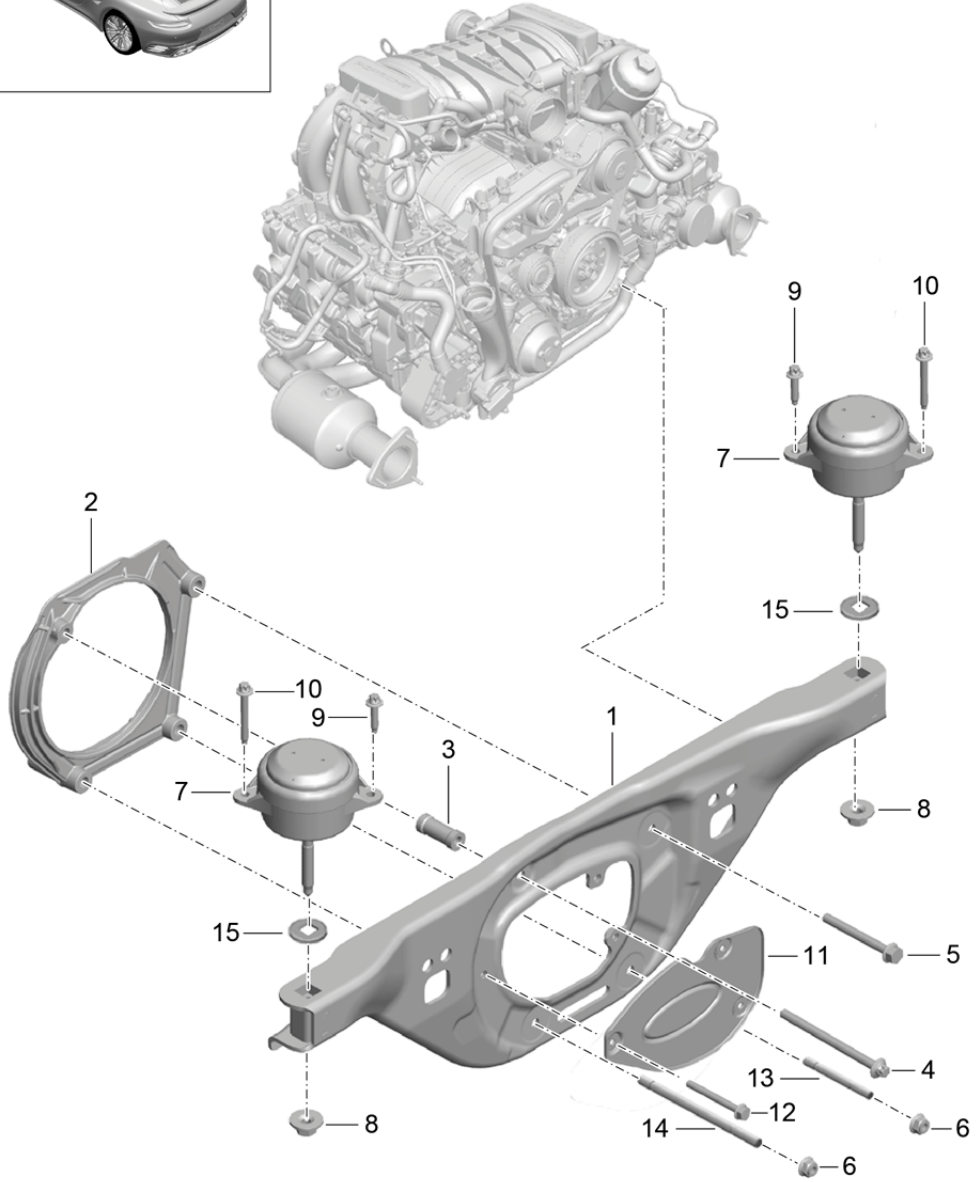
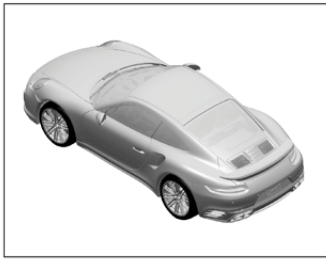
Model: 991T13

Model life 2014>>

Pos	Part Number	Description	Remark	Qty	Model
1	9A1 113 123 70	Air injection Connecting line Air injection		1	A171
1	9A1 113 123 71	Connecting line Air injection	cylinders 1-3	1	DABA,DAB, DBCA,DBC, DBCB,DHNA
2	9A1 113 124 70	Connecting line Air injection	cylinders 1-3	1	A171
2	9A1 113 124 71	Connecting line Air injection	cylinders 4-6	1	DABA,DAB, DBCA,DBC, DBCB
2	9A1 113 124 80	Connecting line Air injection	cylinders 4-6	1	GT2 RS DHNA
3	9A1 113 106 77	Bracket	cylinders 4-6 upper	1	
4	9A1 113 342 70	Pressure line Air injection	cylinders 1-3	1	A171
4	9A1 113 342 71	Pressure line Air injection		1	DABA,DAB, DBCA,DBC, DBCB,DHNA
5	9A1 113 101 72	Console Fan		1	
6	970 113 231 00	Rubber bush Console		4	
7	9A1 605 104 72	Secondary air pump		1	A171
7	95B 959 253	Secondary air pump		1	DABA,DAB, DBCA,DBC, DBCB,DHNA
8	900 385 009 01	Torx screw BM 6 X 16		4	
9	900 385 045 01	Torx screw BM 6 X 40		1	
10	993 113 258 51	Seal		2	
11	9A1 113 258 00	Seal		2	
12	999 025 268 01	Washer 6,4 X 18 X 1,2		2	
13	997 113 203 71	Valve		2	
15	9A1 605 165 00	Change-over valve		1	
			with:		
16	900 385 041 01	Rubber holder Torx screw BM 6 X 12		4	
17	900 385 019 01	Torx screw BM 6 X 20		9	

Model: 991T13

Model life 2014>>





Model: 991T13

Model life 2014>>

Pos	Part Number	Description	Remark	Qty	Model
1	9A1 375 012 00	Engine suspension		1	A171
1	9A2 375 056 03	Engine brackets		1	DABA, DAB, DBCA, DBC, DBCB, DHNA
2	9A1 375 236 10	Intermediate flange		1	A171, DABA, DAB, DBCA, DBC
2	9A1 375 236 11	Intermediate flange		1	DBCB, DBC, DHNA
3	9A1 375 245 01	spacer sleeve		1	A171
3	9A1 375 245 01	Intermediate flange spacer sleeve Intermediate flange		1	DABA, DAB, DBCA, DBC
3	9A1 375 245 02	D >> - 23.03.2017 spacer sleeve Intermediate flange D - 24.03.2017>>		1	DABA, DAB, DBCA, DBC, DBCB, DHNA
4	900 378 286 01	Hexagon bolt M 10 X 135		1	
5	900 378 332 01	Hexagon flange screw M 10 X 92		1	
6	N 102 861 10	Hexagon collar nut self-locking M 10		2	
7	991 375 049 01	hydro-mounting		2	A171+
(7)	991 375 049 02	hydro-mounting		2	PR:-140 A171+
(7)	991 375 049 04	hydro-mounting		2	PR:-140 DABA, DAB, DBCA, DBC+
(7)	991 375 059 08	hydro-mounting		2	PR:-140 A171+
(7)	991 375 059 22	hydro-mounting		2	PR:140 DABA, DAB, DBCA, DBC+
		also use: 991 375 261 00 see Technical information D >> - 01.09.2016		2	PR:140
(7)	991 375 059 24	hydro-mounting see Technical information D - 02.09.2016>>		2	DABA, DAB, DBCA, DBC+
(7)	991 375 059 86	hydro-mounting		2	PR:140 GT2 RS DHNA+
8	N 908 484 05	Hexagon nut M 12 X 1,5		2	
9	900 385 167 01	Outer hexagon round screw M 8 X 35		4	PR:-140
10	900 385 168 01	Outer hexagon round screw M 8 X 65		4	PR:140
11	9A1 102 251 01	Heat insulation		1	
12	N 100 988 11	bolt, hex. hd. (combi.) self-locking M 6 X 16		3	
13	900 060 112 01	Threaded pin M 10 X 80		1	
14	900 060 113 01	Threaded pin M 10 X 140		1	
15	991 375 261 00	Shim hydro-mounting see Technical information		2	DABA, DAB, DBCA, DBC

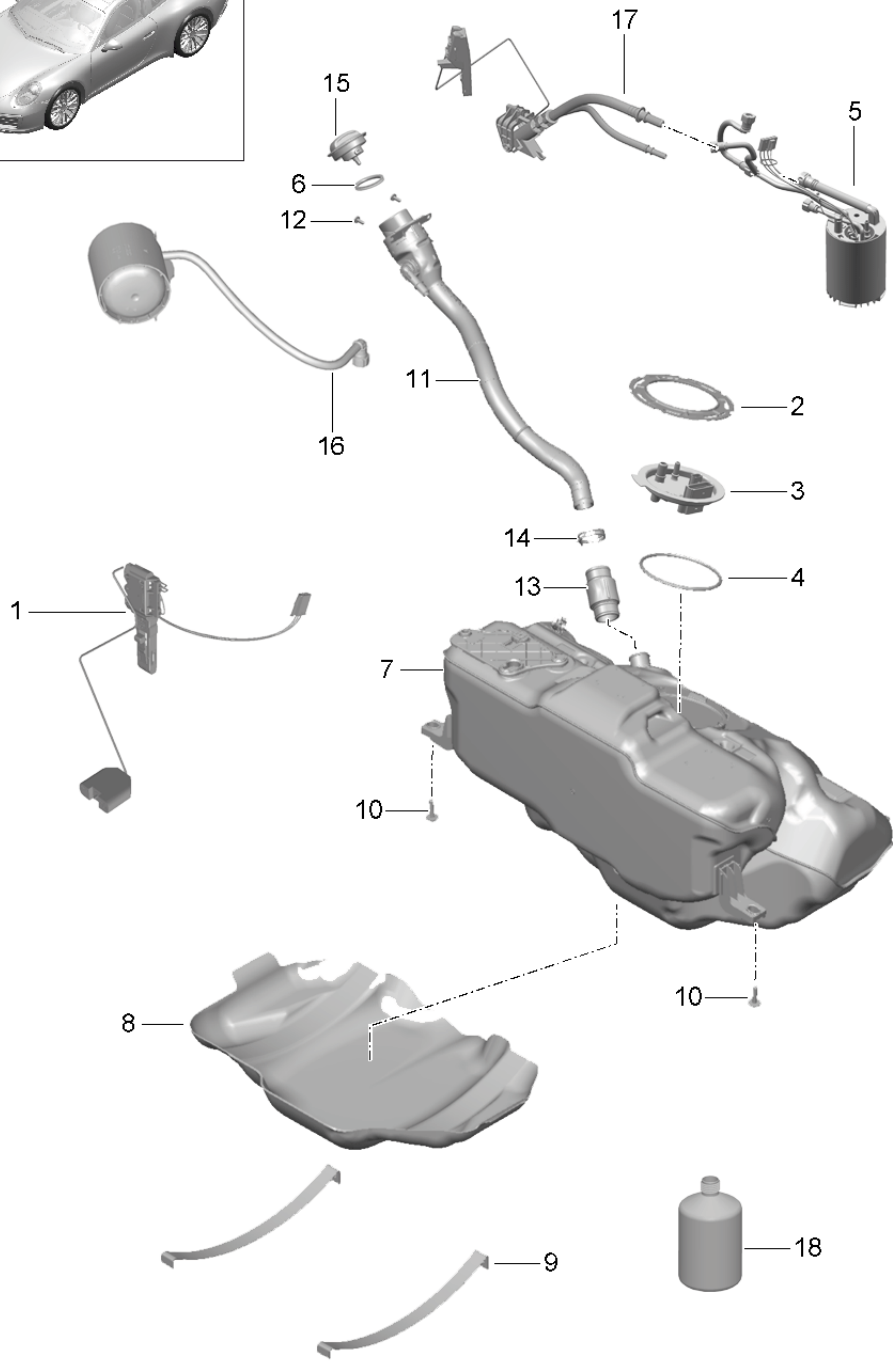
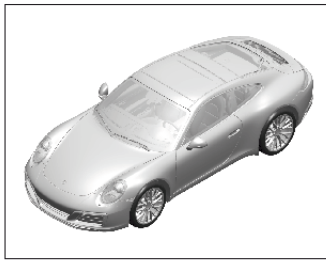
Model: 991T13

Model life 2014>>

Pos	Part Number	Description	Remark	Qty	Model
		D >> - 01.09.2016			

Model: 991T13

Model life 2014>>



Model: 991T13

Model life 2014>>

Pos	Part Number	Description	Remark	Qty	Model
1	991 620 833 00	Fuel tank		1	A171
1	991 620 833 01	Tank gauge		1	DABA, DAB,
1	991 620 831 00	Fuel tank		1	DBCA, DBC
2	991 201 623 00	Tank gauge		1	GT2 RS
3	991 201 421 01	Fuel tank		1	DHNA
3	9P1 201 194 A	Union nut		1	
(3)	991 201 421 01	flange		1	A171
3	9P1 201 194 A	D >> - MJ 2016		1	
(3)	9P1 201 194	flange		1	DABA, DAB,
4	991 201 733 01	D - MJ 2017>>		1	DBCA, DBC
5	991 620 145 00	flange		1	GT2 RS
(5)	9P1 919 087 C	seal ring		1	DHNA
6	1K0 201 557 A	Fuel pump		1	A171, DABA,
7	991 201 021 03	also use: 991 620 160 00		1	DAB, DBCA, DBC
7	991 201 021 05	Fuel pump		1	GT2 RS
7	9P1 201 075	seal ring		1	DHNA
(7)	991 201 022 03	Fuel tank	lhd	1	A171+
(7)	991 201 022 05	Fuel tank	lhd	1	PR:098
(7)	9P1 201 076 B	Fuel tank	lhd	1	DABA, DAB,
8	991 201 331 02	Fuel tank	lhd	1	DBCA, DBC+
9	991 201 107 01	Fuel tank	lhd	1	PR:098
9	991 201 107 01	Fuel tank	lhd	1	GT2 RS
10	N 019 530 7	64L	lhd	1	DHNA+
11	991 201 044 10	90L	lhd	1	PR:098, -082
11	991 201 044 12	Fuel tank	lhd	1	GT2 RS
11	991 201 044 12	Fuel tank	lhd	1	DHNA+
11	991 201 044 12	Fuel tank	lhd	1	PR:098, 082
12	N 910 967 02	Fuel tank	rhd	1	A171+
13	991 201 812 00	Fuel tank	rhd	1	PR:099
13	9P1 201 543	Fuel tank	rhd	1	DABA, DAB,
14	999 512 748 01	Fuel tank	rhd	1	DBCA, DBC+
14	991 201 241 01	Fuel tank	rhd	1	PR:099
15	991 201 241 01	Fuel tank	rhd	1	GT2 RS
		64L	rhd	1	DHNA+
		90L	rhd	1	PR:099
		underside protection		1	
		tensioning strap		2	
		tensioning strap		1	GT2 RS
		Hex collared bolt		2	DHNA+
		M 8 X 25		2	PR:082
		fuel filler neck		1	A171+
		fuel filler neck		1	PR:-664
		fuel filler neck		1	DABA, DAB,
		fuel filler neck		1	DBCA, DBC+
		fuel filler neck		1	PR:-664
		fuel filler neck		1	GT2 RS
		fuel filler neck		1	DHNA+
		fuel filler neck		1	PR:-664, 082
		Oval hexagon socket head bolt		2	
		M 6 X 16		2	
		Hose		1	
		Hose		1	
		Clip		2	
		B 43 X 12		2	
		Fuel tank cap		1	PR:-XYB
		with:		1	
		holding strap		1	

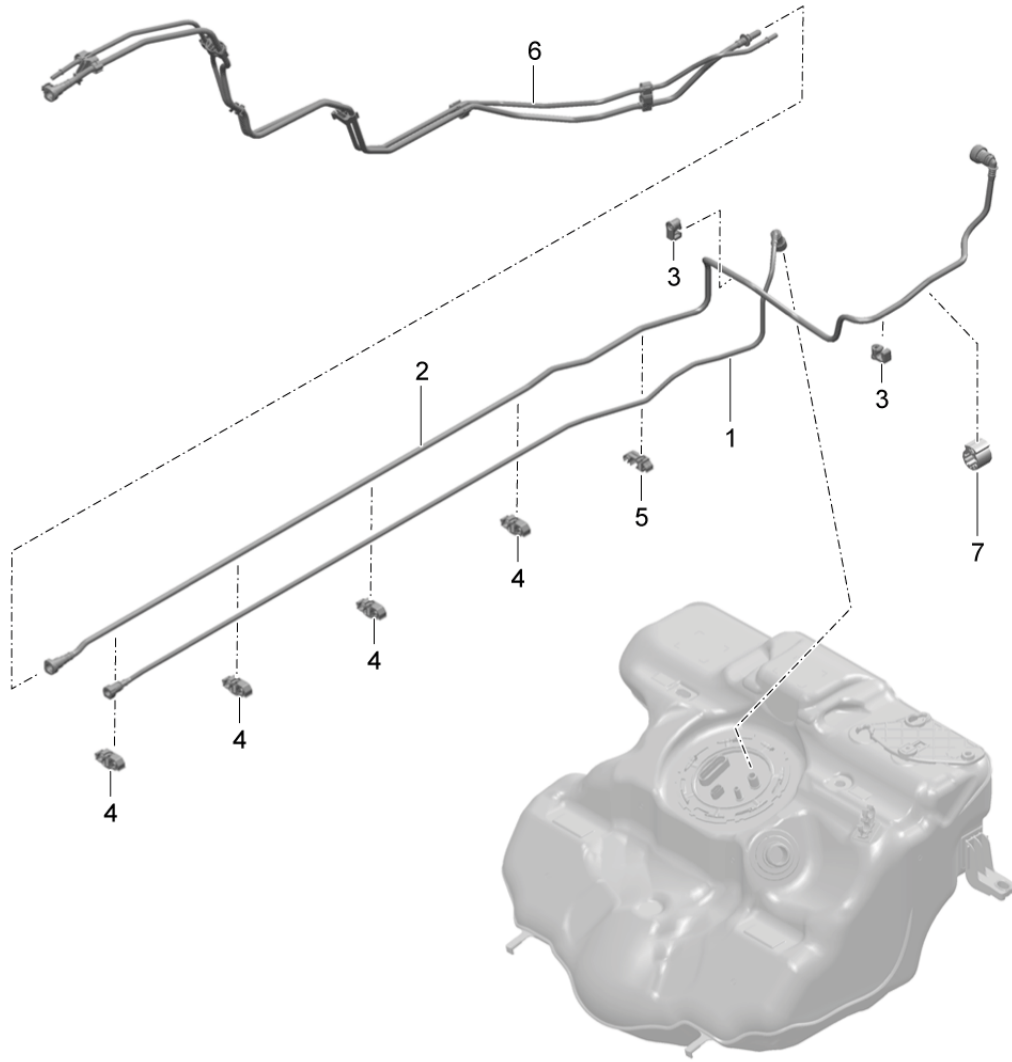
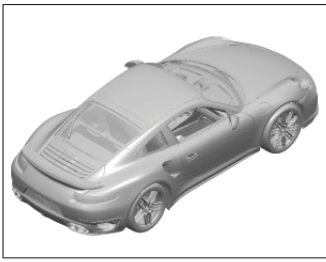
Model: 991T13

Model life 2014>>

Pos	Part Number	Description	Remark	Qty	Model
(15)	000 044 001 90	Fuel tank cap aluminium		1	PR:XYB
		with:			
		Holding strap			
16	991 620 160 00	Fuel filter		1	
17	991 620 123 00	suction jet pump		1	
18	000 043 209 02	Multi-purpose additive for Otto engine fuels 100 ML		X	

Model: 991T13

Model life 2014>>



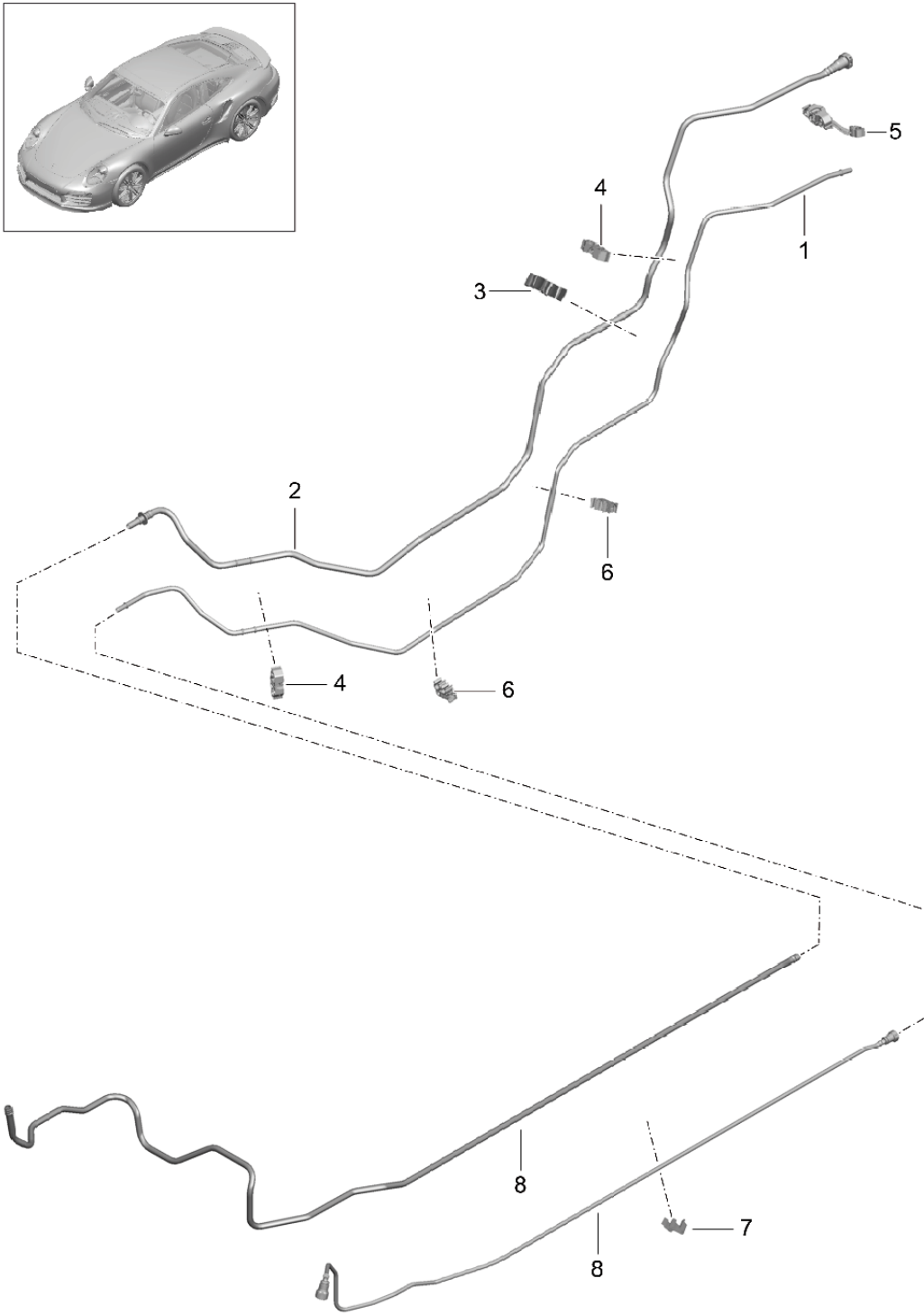
Model: 991T13

Model life 2014&gt;&gt;

Pos	Part Number	Description	Remark	Qty	Model
1	991 201 261 01	Fuel system Fuel line Pressure line	front front	1	A171
1	9P1 201 082	Fuel line Pressure line	front	1	DABA, DAB, DBCA, DBC, DBCB, DHNA
2	991 201 351 01	Purge-air line	front	1	A171
2	9P1 201 915 A	Purge-air line	front	1	DABA, DAB, DBCA, DBC, DBCB, DHNA
3	999 651 416 40	Cable holder 12,0		2	
4	999 507 269 40	Cable holder 8,0 / 12,0		6	
5	999 507 273 40	Cable holder 8,0 / 16 / 10		1	
6		Fuel line	rear		
7	999 511 749 40	Distance piece 14,50 / 20,00	see illustration: 201-010	1	

Model: 991T13

Model life 2014>>





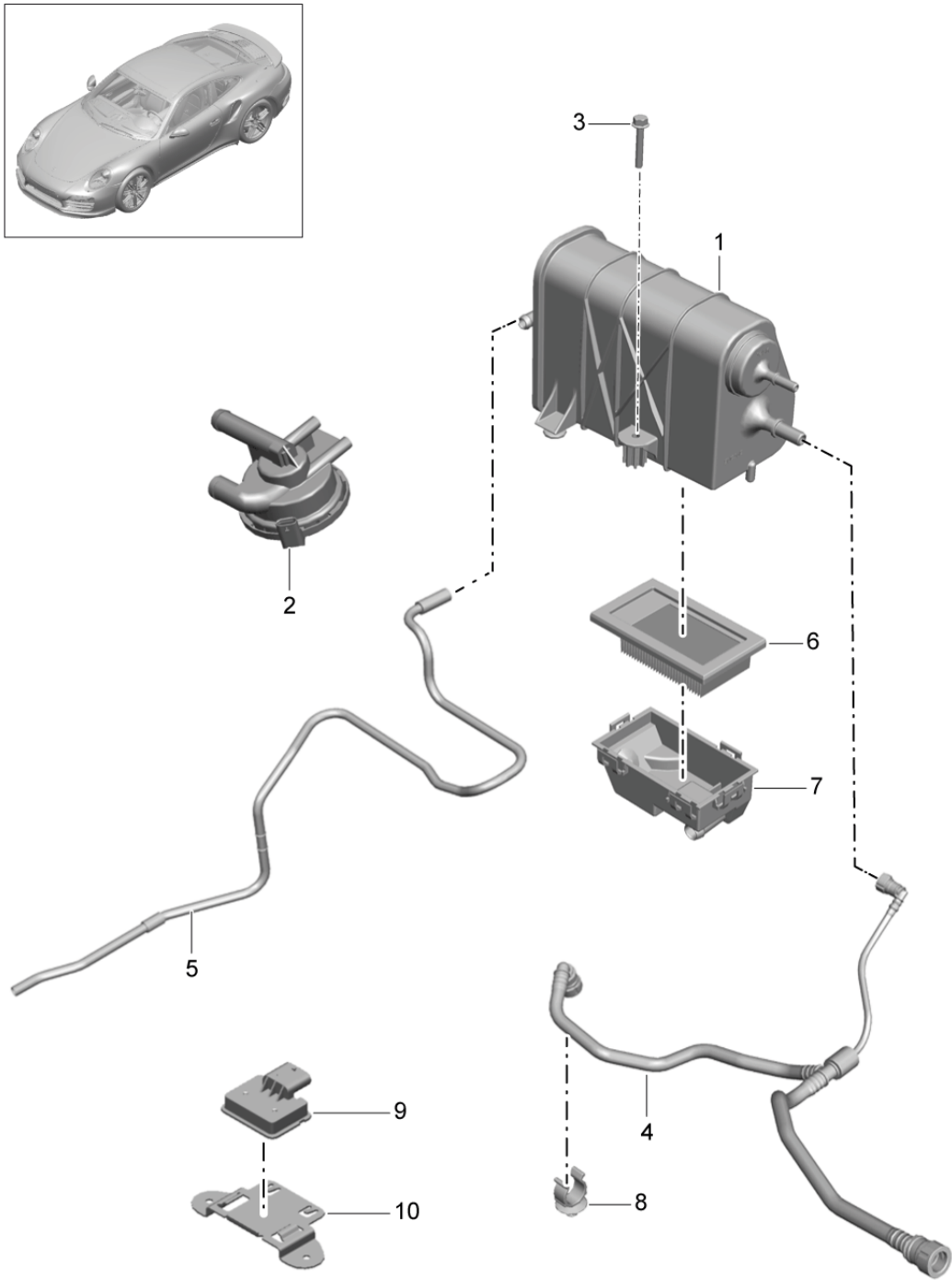
Model: 991T13

Model life 2014>>

Pos	Part Number	Description	Remark	Qty	Model
1	991 201 965 00	Fuel system Fuel line	rear rear	1	
2	991 201 355 01	Pressure line Purge-air line		1	
3	999 507 488 40	Cable holder 5,0 / 10,0	rear	1	
4	999 507 269 40	Cable holder 8,0 / 12,0		2	
5	991 201 835 00	Cable holder		1	
6	999 507 270 40	Cable holder 8,0 / 10,0		2	
7	999 507 287 40	Cable holder 8,0 / 10,0		1	A171
7	999 507 287 40	Cable holder 8,0 / 10,0		2	DABA, DAB, DBCA, DBC, DBCB+ PR:098,573
7	999 507 287 40	Cable holder 8,0 / 10,0		1	DABA, DAB, DBCA, DBC, DBCB+ PR:099,573
8		Fuel line see illustration:	front 201-005		

Model: 991T13

Model life 2014>>



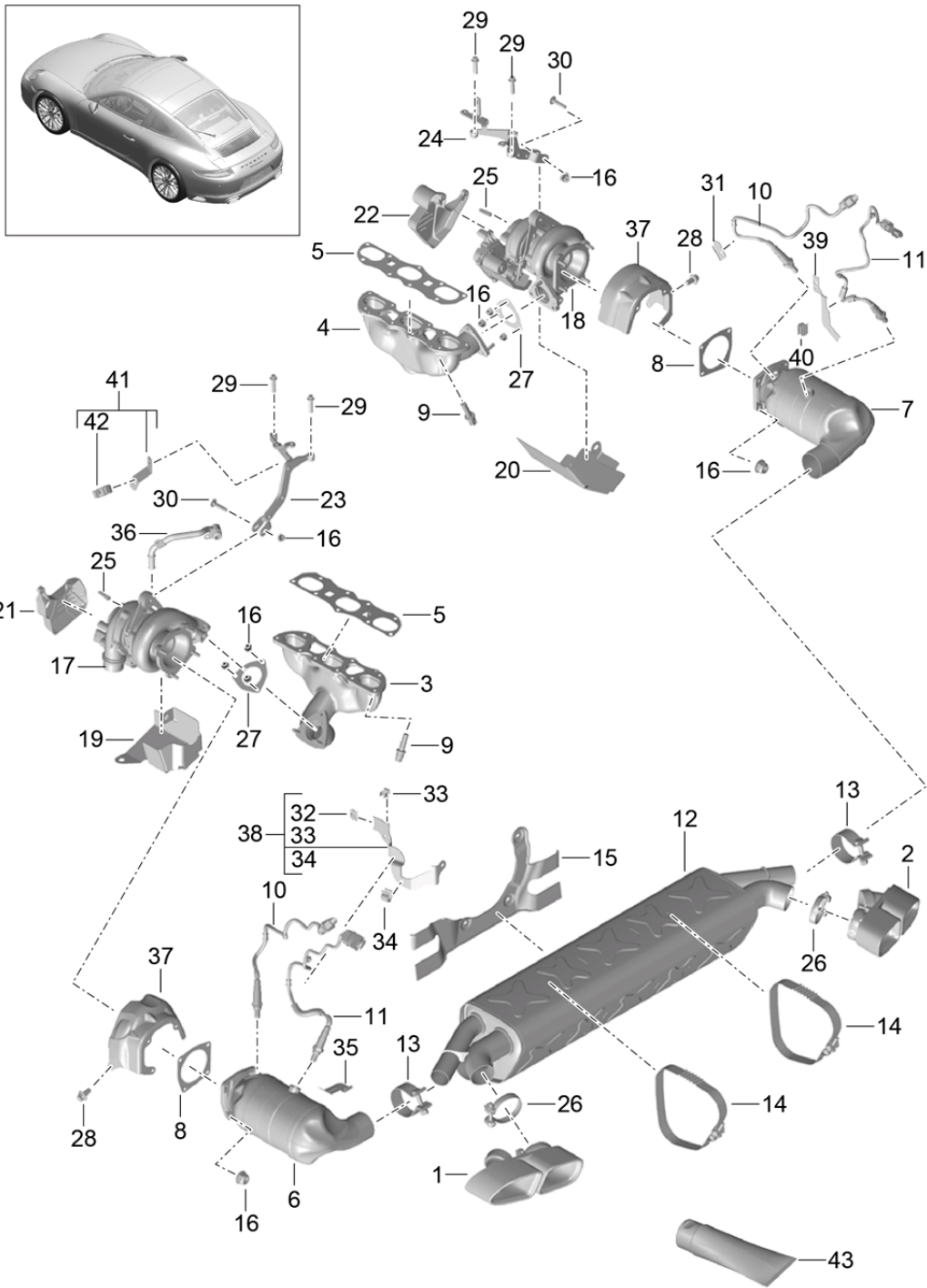
Model: 991T13

Model life 2014>>

Pos	Part Number	Description	Remark	Qty	Model
1	991 201 221 00	Activated charcoal container Activated charcoal container Discontinued part		1	A171+
1	991 201 221 02	Activated charcoal container		1	PR:-664 DABA,DAB, DBCA,DBC, DBCB,DHNA+ PR:-664
3	900 378 115 01	Hexagon bolt M 6 X 35		1	
4	991 201 251 00	Breather line Fuel tank		1	PR:098,-664
(4)	991 201 251 02	Breather line Fuel tank No longer use the part here		1	PR:099
(4)	991 201 251 04	Breather line Fuel tank		1	PR:099
5	991 201 361 03	Purge-air line Activated charcoal container		1	PR:098,-664
(5)	991 201 361 05	Purge-air line Activated charcoal container		1	PR:099
8	999 507 280 40	Cable holder 16,0		1	PR:099

Model: 991T13

Model life 2014>>



Model: 991T13

Model life 2014>>

Pos	Part Number	Description	Remark	Qty	Model
		exhaust system Emission control			A171
1	991 111 761 71	Exhaust gas turbocharger Tailpipe Discontinued part	left	1	PR:-092
1	991 111 761 72	Tailpipe	left	1	PR:-092
(1)	991 111 761 61	Tailpipe Black Discontinued part	left	1	PR:092
(1)	991 111 761 62	Tailpipe Black	left	1	PR:092
2	991 111 762 71	Tailpipe Discontinued part	right	1	PR:-092
2	991 111 762 72	Tailpipe	right	1	PR:-092
(2)	991 111 762 61	Tailpipe Black Discontinued part	right	1	PR:092
(2)	991 111 762 62	Tailpipe Black	right	1	PR:092
3	991 111 711 71	Exhaust manifold with catalytic converter	left	1	
4	991 111 712 71	Exhaust manifold with catalytic converter	right	1	
5	997 111 107 31	Seal Exhaust manifolds		2	
6	997 113 009 30	Catalytic converter	left	1	
6	997 113 009 AX	Catalytic converter	left	1	
7	997 113 010 30	Catalytic converter	right	1	
7	997 113 010 AX	Catalytic converter	right	1	
8	997 111 217 70	Seal		2	
9	999 073 589 01	Outer hexagon round screw M8 X 27		18	
10	9A1 606 188 01	Lambda probe in front of Catalytic converter		2	
11	9A1 606 198 01	Lambda probe After Catalytic converter		2	
12	991 111 731 70	Silencer Discontinued part		1	
12	991 111 731 71	Silencer		1	
13	997 111 230 80	clamp D=60		2	
14	991 111 371 70	tensioning strap		2	
15	991 111 473 01	Bracket Silencer		1	
16	999 084 642 02	Hexagon nut M8		16	
17	9A1 123 015 71	Exhaust gas turbocharger Discontinued part	cylinders 1-3	1	
17	9A1 123 015 73	Exhaust gas turbocharger	cylinders 1-3	1	
18	9A1 123 016 71	Exhaust gas turbocharger Discontinued part	cylinders 4-6	1	
18	9A1 123 016 72	Exhaust gas turbocharger	cylinders 4-6	1	
19	9A1 123 209 70	Guard plate Exhaust gas turbocharger	cylinders 1-3	1	
20	9A1 123 210 70	Guard plate Exhaust gas turbocharger	cylinders 1-3	1	

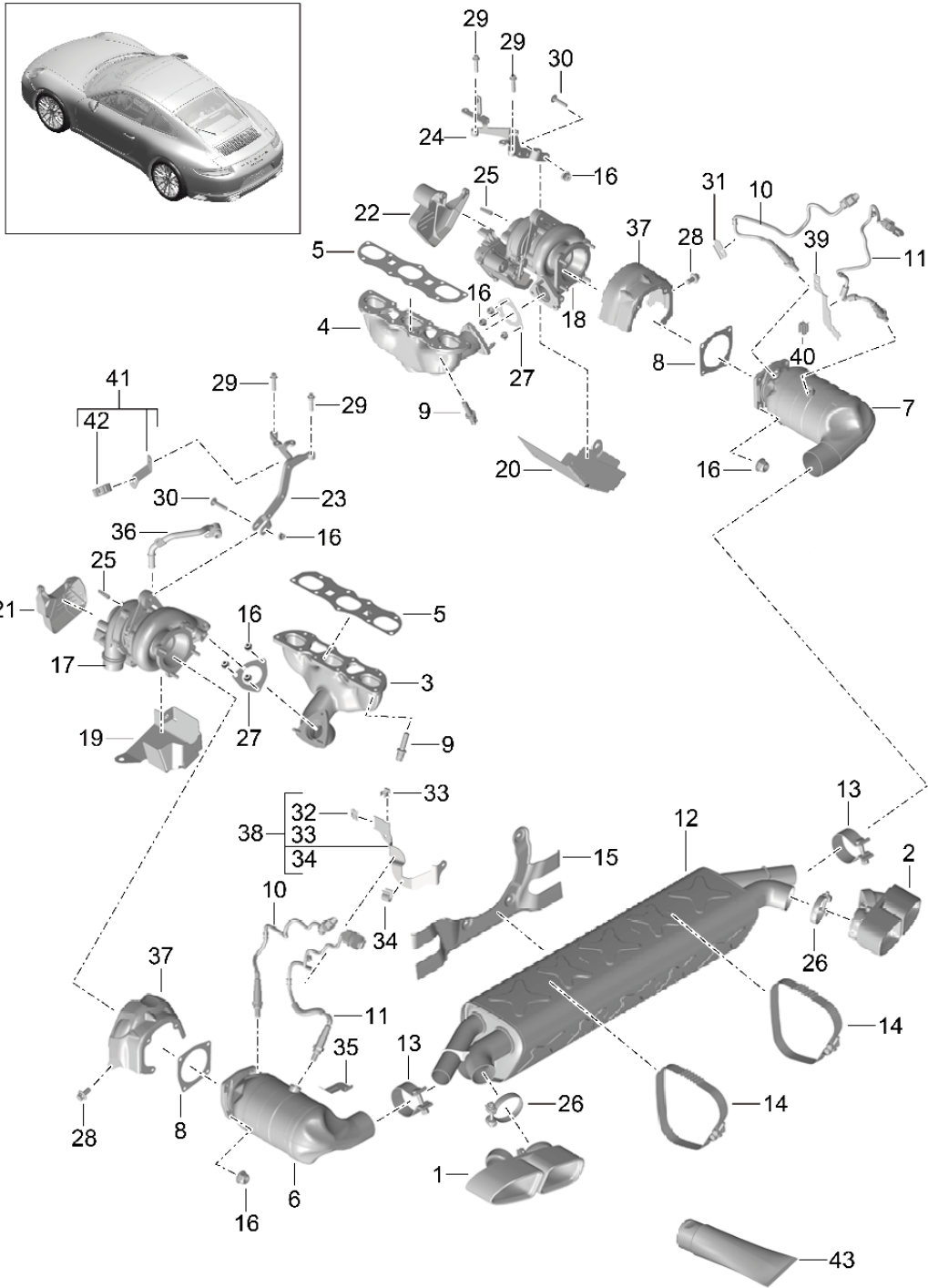
Model: 991T13

Model life 2014&gt;&gt;

Pos	Part Number	Description	Remark	Qty	Model
21	9A1 123 213 71	Cover Exhaust gas turbocharger	cylinders 4-6	1	
22	9A1 123 214 70	Cover Exhaust gas turbocharger	cylinders 1-3	1	
23	9A1 111 225 73	Carrier Exhaust gas turbocharger	cylinders 4-6	1	
24	9A1 111 226 72	Carrier Exhaust gas turbocharger	cylinders 1-3	1	
25	900 081 059 01	Threaded pin M8 X 22	cylinders 4-6	X	
26	997 111 240 30	Clamp Tailpipe		2	
27	997 111 215 70	Seal Exhaust manifolds		2	
28	900 385 041 01	Torx screw BM 6 X 12		2	
29	900 385 042 01	Torx screw BM 8 X 35		4	
30	N 912 309 01	Torx screw BM 8 X 35		2	
31	9A1 606 176 00	Bracket Lambda probe		1	
32	999 651 386 03	Cable clamp 5,5 - 9,0		2	
33	999 651 392 07	Cable holder 9,5 - 10,5		4	
34	999 651 407 01	Cable fastener 12,0 14,0		2	
35	9A1 606 253 00	Bracket Temperature sensor		1	
36	9A1 123 221 70	Pipe Tank ventilation		1	
37	9A1 123 215 72	Guard plate Exhaust gas turbocharger		1	
(37)	9A1 123 216 71	Guard plate Exhaust gas turbocharger	cylinders 1-3	1	
38	9A1 606 175 00	Bracket Lambda probe	cylinders 4-6	1	
39	9A1 606 174 01	Bracket Lambda probe		1	
40	999 651 399 40	Line holder 5,0		1	
41	9A1 106 043 70	Line holder Lines		1	
42	999 507 487 41	Cable holder 10,0 / 10,0		1	
43	000 043 303 68	Cleaning solution Tailpipe 75 ML DR.WACK P21S ALU-POLISH		X	

Model: 991T13

Model life 2014>>



Model: 991T13

Model life 2014&gt;&gt;

Pos	Part Number	Description	Remark	Qty	Model
(1)	991 111 751 60	exhaust system Emission control Exhaust gas turbocharger Tailpipe	left	1	DABA,DAB, DBCA,DBC, DBCB DBCA,DBC+ PR:092,-028
(1)	991 111 751 70	Black Tailpipe	left	1	DABA,DAB+ PR:-092,-028
(1)	991 111 751 40	Tailpipe	left outer	1	Turbo S Exc. DBCB,DBC+ PR:028
(1)	991 111 753 40	Black D - MJ 2018>> Tailpipe	left inner	1	Turbo S Exc. DBCB,DBC+ PR:028
(2)	991 111 752 60	Black D - MJ 2018>> Tailpipe	right	1	DBCA,DBC+ PR:092,-028
(2)	991 111 752 70	Black Tailpipe	right	1	DABA,DAB+ PR:-092,-028
(2)	991 111 752 40	Tailpipe	right outer	1	Turbo S Exc. DBCB,DBC+ PR:028
(2)	991 111 754 40	Black D - MJ 2018>> Tailpipe	right inner	1	Turbo S Exc. DBCB,DBC+ PR:028
3	991 111 711 72	Black D - MJ 2018>> Exhaust manifold with catalytic converter	left	1	
4	991 111 712 72	Exhaust manifold with catalytic converter	right	1	
5	997 111 107 31	Seal Exhaust manifolds		2	
6	997 113 009 30	Catalytic converter	left	1	
6	997 113 009 AX	Catalytic converter	left	1	
7	997 113 010 30	Catalytic converter	right	1	
7	997 113 010 AX	Catalytic converter	right	1	
8	997 111 217 70	Seal		2	
9	999 073 589 01	Outer hexagon round screw M8 X 27		18	
10	9A1 606 188 01	Lambda probe in front of Catalytic converter		2	
11	9A1 606 198 01	Lambda probe After Catalytic converter		2	
12	991 111 731 71	Silencer		1	PR:-028
12	991 111 731 40	Silencer D - MJ 2018>>		1	Turbo S Exc. PR:028
13	997 111 230 80	clamp D=60		2	
14	991 111 371 70	tensioning strap		2	
15	991 111 473 01	Bracket Silencer		1	
16	999 084 642 02	Hexagon nut M8		16	
17	9A1 123 015 73	Exhaust gas turbocharger		1	PR:-092



Model: 991T13

Model life 2014&gt;&gt;

Pos	Part Number	Description	Remark	Qty	Model
17	9A1 123 017 70	Exhaust gas turbocharger	cylinders 1-3	1	PR:092
18	9A1 123 016 73	Exhaust gas turbocharger	cylinders 1-3	1	PR:-092
18	9A1 123 018 70	Exhaust gas turbocharger	cylinders 4-6	1	PR:092
19	9A1 123 209 70	Guard plate Exhaust gas turbocharger	cylinders 4-6	1	
20	9A1 123 210 70	Guard plate Exhaust gas turbocharger	cylinders 1-3	1	
21	9A1 123 213 71	Cover Exhaust gas turbocharger	cylinders 4-6	1	
22	9A1 123 214 70	Cover Exhaust gas turbocharger	cylinders 1-3	1	PR:-092
(22)	9A1 123 224 70	Cover Exhaust gas turbocharger	cylinders 4-6	1	PR:092
23	9A1 111 225 73	Carrier Exhaust gas turbocharger	cylinders 4-6	1	
24	9A1 111 226 72	Carrier Exhaust gas turbocharger	cylinders 1-3	1	
25	900 081 059 01	Threaded pin M8 X 22	cylinders 4-6	X	
26	997 111 240 30	Clamp		2	
27	997 111 215 70	Tailpipe Seal		2	
28	900 385 041 01	Exhaust manifolds Torx screw BM 6 X 12		2	
29	900 385 042 01	Torx screw BM 8 X 35		4	
30	N 912 309 01	Torx screw BM 8 X 35		2	
31	9A1 606 176 00	Bracket Lambda probe		1	
32	999 651 386 03	Cable clamp 5,5 - 9,0		2	
33	999 651 392 07	Cable holder 9,5 - 10,5		4	
34	999 651 407 01	Cable fastener 12,0 14,0		2	
35	9A1 606 253 00	Bracket Temperature sensor		1	
36	9A1 123 221 70	Pipe Tank ventilation		1	PR:-092
(36)	9A1 123 223 70	Pipe Tank ventilation		1	PR:092
37	9A1 123 215 72	Guard plate Exhaust gas turbocharger		1	
(37)	9A1 123 216 71	Guard plate Exhaust gas turbocharger	cylinders 1-3	1	
38	9A1 606 175 00	Bracket Lambda probe	cylinders 4-6	1	
(39)	9A1 606 184 00	Holder for lambda probe		1	

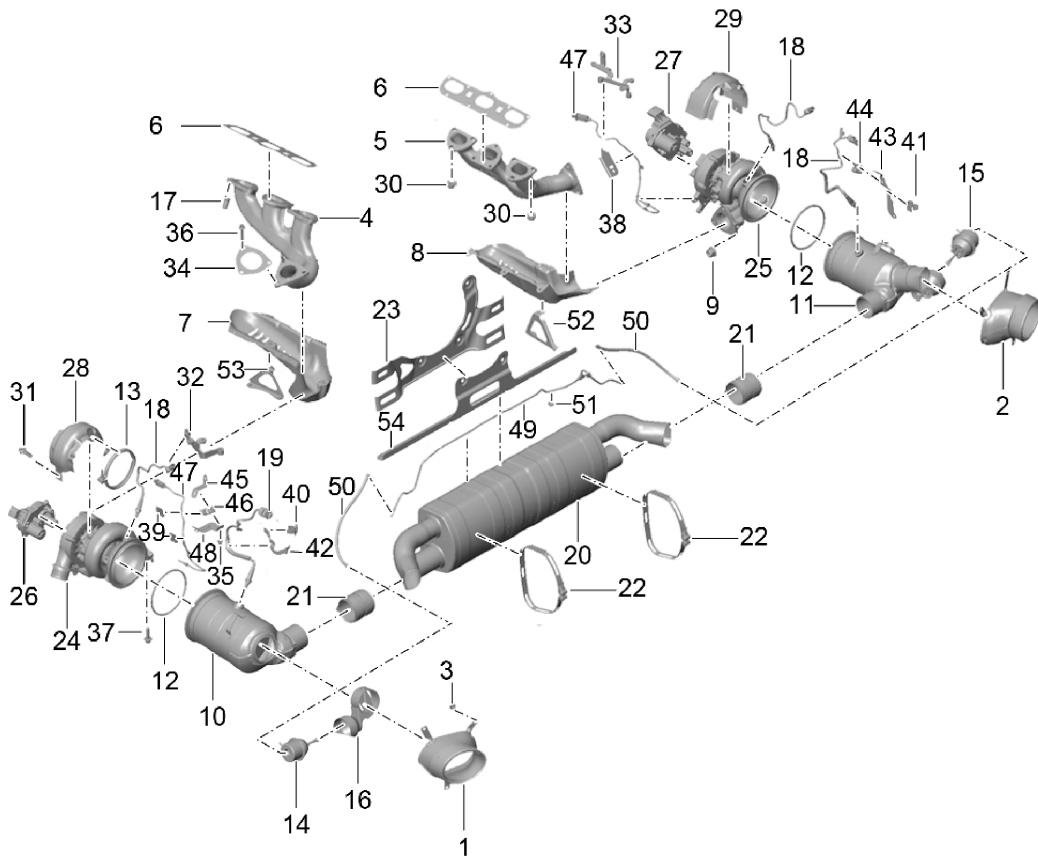
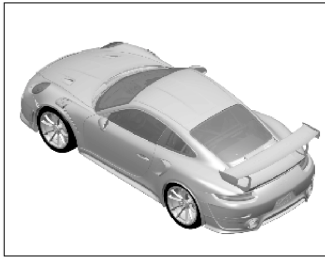
Model: 991T13

Model life 2014>>

Pos	Part Number	Description	Remark	Qty	Model
40	999 651 399 40	Line holder 5,0		1	
41	9A1 106 043 70	Line holder Lines		1	
42	999 507 487 41	Cable holder 10,0 / 10,0		1	
43	000 043 303 68	Cleaning solution Tailpipe 75 ML DR.WACK P21S ALU-POLISH		X	

Model: 991T13

Model life 2014>>



Model: 991T13

Model life 2014&gt;&gt;

Pos	Part Number	Description	Remark	Qty	Model
		exhaust system			GT2 RS
		Emission control			DHNA
		Exhaust gas turbocharger			
1	991 111 755 80	Tailpipe	left	1	
2	991 111 756 80	Tailpipe	right	1	
3	N 910 423 02	Oval hexagon socket head bolt		8	
4	9A1 111 103 81	Exhaust manifolds	cylinders 1-3	1	
5	9A1 111 104 81	Exhaust manifolds	cylinders 4-6	1	
6	997 111 107 81	Seal		2	
		Exhaust manifolds			
7	9A1 111 331 80	Guard plate	cylinders 1-3	1	
		Exhaust manifolds			
8	9A1 111 332 80	Guard plate	cylinders 4-6	1	
		Exhaust manifolds			
9	9A1 123 601 00	Hexagon nut		6	
		M 10			
10	9P1 254 400 B	Catalytic converter	left	1	
10	9P1 254 400 BX	Catalytic converter	left	1	
11	9P1 254 450 B	Catalytic converter	right	1	
11	9P1 254 450 BX	Catalytic converter	right	1	
12	9A7 253 115 00	Seal		2	
13	9P1 253 725	Clamp		2	
14	9P1 253 835	Vacuum unit	left	1	
15	9P1 253 836	Vacuum unit	right	1	
16	991 111 383 00	Guard plate		2	
17	9A7 253 111 01	Threaded bush		18	
18	9A1 606 188 01	Lambda probe		2	
		in front of			
		Catalytic converter			
19	9A1 606 198 02	Lambda probe		2	
		After			
		Catalytic converter			
20	991 111 731 80	Silencer		1	
21	991 111 483 00	clamp		2	
22	991 111 371 80	tensioning strap		2	
23	991 111 473 80	Bracket		1	
		Silencer			
24	9A1 123 015 80	Exhaust gas turbocharger		1	
			cylinders 1-3		
25	9A1 123 016 80	Exhaust gas turbocharger		1	
			cylinders 4-6		
26	9A7 145 613 00	Servomotor for turbocharger		1	
			cylinders 1-3		
27	9A7 145 614 00	Servomotor for turbocharger		1	
			cylinders 4-6		
28	9A1 123 215 80	Guard plate		1	
		Exhaust gas turbocharger			
			cylinders 1-3		
29	9A1 123 216 80	Guard plate		1	
		Exhaust gas turbocharger			
			cylinders 4-6		
30	999 084 642 02	Hexagon nut		8	
		M 8			
31	900 386 004 01	Outer hexagon round screw		3	
		BM 8 X 20			
32	9A1 111 225 80	Carrier		1	
		Exhaust gas turbocharger			
			cylinders 1-3		
33	9A1 111 226 80	Carrier		1	
		Exhaust gas turbocharger			
			cylinders 4-6		

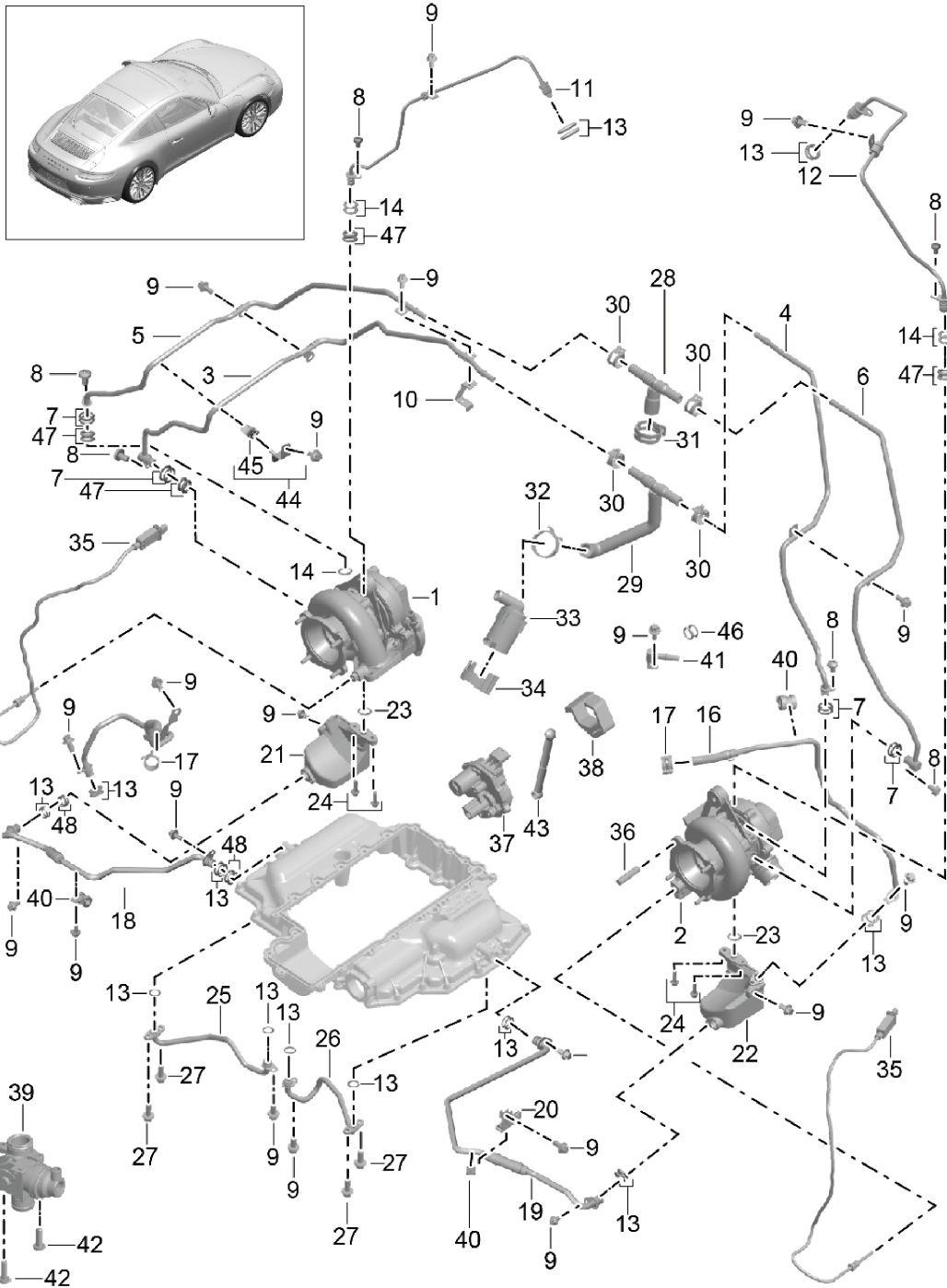
Model: 991T13

Model life 2014&gt;&gt;

Pos	Part Number	Description	Remark	Qty	Model
34	9A1 111 215 80	Seal Exhaust gas turbocharger		2	
35	900 385 041 01	Torx screw BM 6 X 12		5	
36	900 385 042 01	Torx screw BM 8 X 35		4	
37	900 385 019 01	Torx screw BM 6 X 20		11	
38	9A1 606 176 00	Bracket Lambda probe		1	
39	999 651 386 03	Cable clamp 5,5 - 9,0		2	
40	999 651 392 07	Cable holder 9,5 - 10,5		4	
41	999 651 407 01	Cable fastener 12,0 14,0		2	
42	9A1 606 175 80	Holder for lambda probe		1	
43	9A1 606 184 00	Holder for lambda probe		1	
44	999 651 399 40	Line holder 5,0		1	
45	9A1 106 043 70	Line holder Lines		1	
46	999 507 487 41	Cable holder 10,0 / 10,0		1	
47	9A7 906 081 02	Temperature sensor exhaust system		1	
48	9A1 606 253 00	Bracket Temperature sensor		1	
49	9P1 251 838 D	Vacuum line (complete)		1	
50	991 111 490 00	Vacuum hose		2	
51	999 651 401 01	Cable fastener		6	
52	9A1 111 335 80	Bracket Underbody protection	left	1	
53	9A1 111 336 80	Bracket Underbody protection	right	1	
54	9A1 111 321 80	Bracket Underbody protection		1	

Model: 991T13

Model life 2014>>



Model: 991T13

Model life 2014>>

Pos	Part Number	Description	Remark	Qty	Model
1		Exhaust gas turbocharger Cooling Oil pipe Water line Exhaust gas turbocharger		1	
2		Exhaust gas turbocharger see illustration:	cylinders 1-3 202-000	1	
3	9A1 106 077 73	Water line	feed cylinders 1-3	1	A171
3	9A1 106 077 74	Water line	feed cylinders 1-3	1	DABA, DAB, DBCA, DBC, DBCB
3	9A1 106 077 80	Water line	feed cylinders 1-3	1	GT2 RS DHNA
4	9A1 106 078 72	Water line	feed cylinders 4-6	1	A171
4	9A1 106 078 73	Discontinued part Water line	feed cylinders 4-6	1	DABA, DAB, DBCA, DBC, DBCB
4	9A1 106 078 73	Water line	feed cylinders 4-6	1	GT2 RS DHNA
5	9A1 106 079 73	Water line	return cylinders 1-3	1	A171
5	9A1 106 079 74	Discontinued part Water line	return cylinders 1-3	1	DABA, DAB, DBCA, DBC, DBCB
5	9A1 106 079 80	Water line	return cylinders 1-3	1	GT2 RS DHNA
6	9A1 106 080 72	Water line	return cylinders 4-6	1	A171
6	9A1 106 080 73	Water line	return cylinders 4-6	1	DABA, DAB, DBCA, DBC, DBCB
6	9A1 106 080 80	Water line	return cylinders 4-6	1	GT2 RS DHNA
7	999 707 597 40	O-ring 12,00 X 2,50		8	
8	999 073 236 0A	fillister hd. bolt M 6 X 10		6	
9	900 385 041 01	Torx screw BM 6 X 12		20	
10	9A1 106 219 70	Bracket		1	
11	9A1 107 221 72	Water line Pressure line		1	A171
11	9A1 107 221 73	Pressure line	cylinders 1-3	1	DABA, DAB, DBCA, DBC, DBCB
11	9A1 107 221 80	Pressure line	cylinders 1-3	1	GT2 RS DHNA

Model: 991T13

Model life 2014&gt;&gt;

Pos	Part Number	Description	Remark	Qty	Model
12	9A1 107 222 72	Pressure line		1	A171
12	9A1 107 222 73	Pressure line	cylinders 4-6	1	DABA,DAB, DBCA,DBC, DBCB
12	9A1 107 222 80	Pressure line		1	GT2 RS DHNA
13	999 707 612 40	O-ring 12,00 X 2,50 Black		20	A171,DABA, DAB,DBCA, DBC,DBCB
13	999 707 612 40	O-ring 12,00 X 2,50 Black		4	GT2 RS DHNA
14	999 707 613 40	O-ring 8,00 X 2,50		4	
15	9A1 107 241 73	Breather line	cylinders 1-3	1	A171
15	9A1 107 241 74	Discontinued part Breather line		1	A171
15	9A1 107 241 76	Breather line	cylinders 1-3	1	DABA,DAB, DBCA,DBC, DBCB
15	9A1 107 241 80	Breather line		1	GT2 RS DHNA
16	9A1 107 242 73	Breather line	cylinders 1-3	1	A171
16	9A1 107 242 74	Breather line	cylinders 4-6	1	DABA,DAB, DBCA,DBC, DBCB
16	9A1 107 242 80	Breather line		1	GT2 RS DHNA
17	999 512 651 09	Hose clamp B 15 X 12		2	
18	9A1 107 333 72	suction line Exhaust gas turbocharger		1	A171
18	9A1 107 333 73	suction line Exhaust gas turbocharger	cylinders 1-3	1	DABA,DAB, DBCA,DBC, DBCB
18	9A1 107 333 80	suction line Exhaust gas turbocharger		1	GT2 RS DHNA
19	9A1 107 334 72	suction line Exhaust gas turbocharger	cylinders 1-3	1	A171
19	9A1 107 334 73	suction line Exhaust gas turbocharger	cylinders 4-6	1	DABA,DAB, DBCA,DBC, DBCB
19	9A1 107 334 80	suction line Exhaust gas turbocharger		1	GT2 RS DHNA
20	9A1 107 424 71	Bracket suction line	cylinders 4-6	1	A171,DABA, DAB,DBCA, DBC,DBCB
20	9A1 107 424 80	Bracket suction line		1	GT2 RS DHNA
21	9A1 107 331 71	collector container Exhaust gas turbocharger	cylinders 4-6	1	A171,DABA, DAB,DBCA, DBC,DBCB
21	9A1 107 331 80	collector container Exhaust gas turbocharger	cylinders 1-3	1	GT2 RS DHNA



Model: 991T13

Model life 2014&gt;&gt;

Pos	Part Number	Description	Remark	Qty	Model
22	9A1 107 332 71	collector container Exhaust gas turbocharger	cylinders 1-3	1	A171,DABA, DAB,DBCA, DBC,DBCB
22	9A1 107 332 80	collector container Exhaust gas turbocharger	cylinders 4-6	1	GT2 RS DHNA
23	999 707 387 40	O-ring 15,00 X 2,50	cylinders 4-6	2	
24	900 385 019 01	Torx screw BM 6 X 20		4	
25	9A1 107 311 71	suction line oil pump		1	A171
25	9A1 107 311 72	suction line oil pump	cylinders 1-3	1	DABA,DAB, DBCA,DBC, DBCB,DHNA
26	9A1 107 312 71	suction line oil pump	cylinders 1-3	1	A171
26	9A1 107 312 72	suction line oil pump	cylinders 4-6	1	DABA,DAB, DBCA,DBC, DBCB,DHNA
27	900 385 009 01	Torx screw BM 6 X 16	cylinders 4-6	4	
28	9A1 106 553 70	Water hose t-piece		1	A171
28	9A1 106 553 71	t-piece	return	1	DABA,DAB, DBCA,DBC, DBCB,DHNA
29	9A1 106 649 75	Water hose t-piece	return	1	A171
29	9A2 106 649 76	t-piece	feed	1	DABA,DAB, DBCA,DBC, DBCB,DHNA
30	999 512 686 09	Hose clamp B 17 X 12	feed	4	
31	999 512 656 09	Hose clamp B 25 X 12		1	
32	999 512 658 09	Hose clamp B 27 X 12		1	
33	9A1 620 251 00	Coolant pump Exhaust gas turbocharger		1	A171
33	9A2 620 251 00	Coolant pump Exhaust gas turbocharger		1	DABA,DAB, DBCA,DBC, DBCB,DHNA
34	9A1 106 201 70	Thrust ring Coolant pump Exhaust gas turbocharger		1	A171
34	9A2 106 201 70	Thrust ring Coolant pump Exhaust gas turbocharger		1	DABA,DAB, DBCA,DBC, DBCB,DHNA
35	9A1 606 251 01	Temperature sensor Exhaust gas		2	A171
35	9A2 606 250 00	Temperature sensor Exhaust gas		2	DABA,DAB, DBCA,DBC
35	9A7 906 081 00	Temperature sensor Exhaust gas		2	DBCB,DBC, DHNA
36	900 081 059 01	Threaded pin M 8 X 22		10	A171,DABA, DAB,DBCA, DBC,DBCB

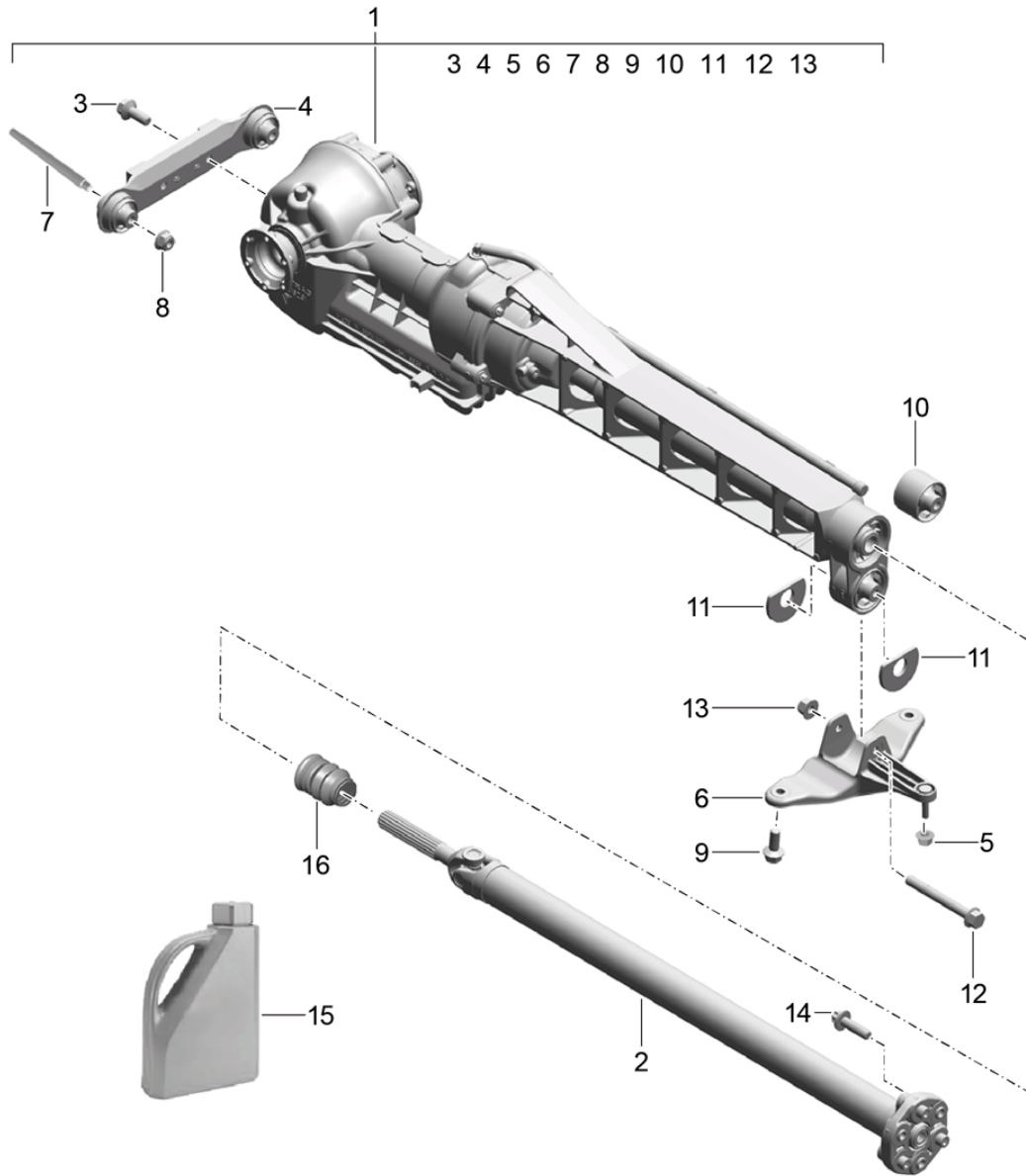
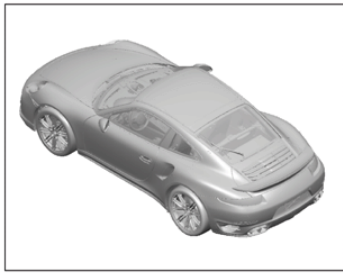
Model: 991T13

Model life 2014>>

Pos	Part Number	Description	Remark	Qty	Model
37	9A1 605 315 03	Adjusting motor	cylinders 1-3	1	A171, DABA, DAB, DECA, DBC, DBCB
37	9A7 145 613 00	Servomotor for turbocharger	cylinders 1-3	1	GT2 RS
(37)	9A1 605 318 00	Adjusting motor	cylinders 4-6	1	DHNA, A171, DABA, DAB, DECA, DBC, DBCB
(37)	9A7 145 614 00	Servomotor for turbocharger	cylinders 4-6	1	GT2 RS
38	07L 145 726 A	rubber support ring		1	DHNA
39	9A1 106 555 03	Valve		1	A171
39	9A1 106 555 04	Valve		1	DABA, DAB, DECA, DBC, DBCB, DBC, DHNA
39	0PB 121 959	Valve		1	DHNA
40	999 511 802 01	Clamp		3	
41	9A1 107 545 72	connection piece		1	A171
41	9A1 107 545 73	ventilation union		1	DABA, DAB, DECA, DBC, DBCB, DBC, DHNA
41	9A1 107 545 74	ventilation union		1	DHNA
42	999 073 344 01	flat round head bolt		2	
43	997 123 124 70	operating rod	cylinders 1-3	1	A171
43	997 123 124 70	operating rod	cylinders 1-3	1	DABA, DAB+ PR:-092
43	9A1 123 124 80	operating rod	cylinders 1-3	1	GT2 RS
(43)	9A1 123 125 70	operating rod	cylinders 4-6	1	A171
(43)	9A1 123 125 70	operating rod	cylinders 4-6	1	DABA, DAB+ PR:-092
(43)	9A1 123 125 80	operating rod	cylinders 4-6	1	GT2 RS
44	9A1 106 043 70	Line holder Lines Exhaust gas turbocharger		1	
45	999 507 487 41	Cable holder 10,0 / 10,0		1	
46	999 707 577 40	O-ring 10 X 2,5		2	
47	999 707 692 41	O-ring 10 X 3 green		12	GT2 RS DHNA
48	999 707 612 42	O-ring 12 X 2,5		4	GT2 RS DHNA

Model: 991T13

Model life 2014>>



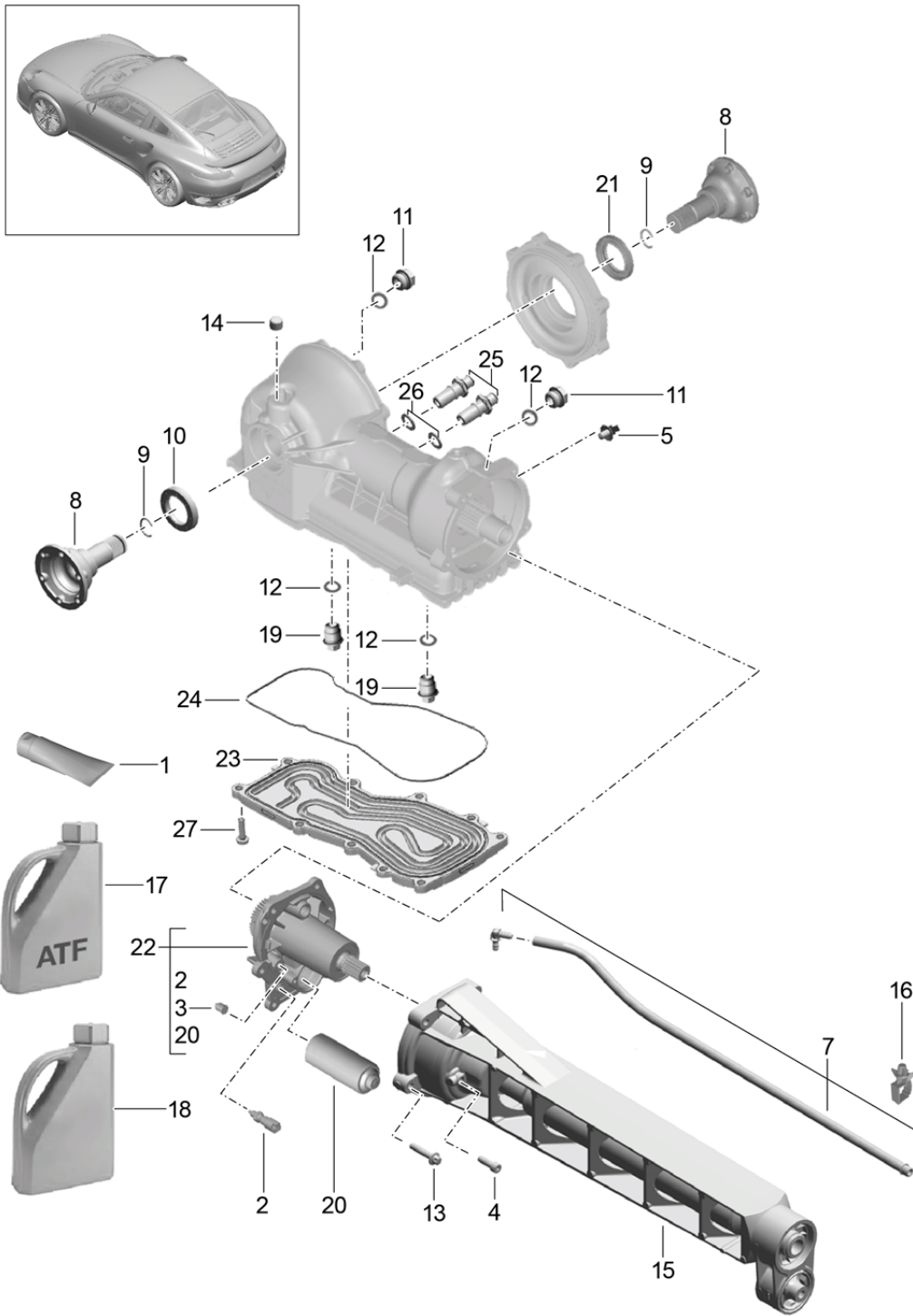
Model: 991T13

Model life 2014>>

Pos	Part Number	Description	Remark	Qty	Model
		Front axle differential Cardan shaft			Turbo
1	991 349 010 52	Front axle differential Discontinued part		1	A171
1	991 349 010 53	Front axle differential		1	A171
(1)	991 349 010 55	Front axle differential		1	DABA,DAB, DBCA,DBC
(1)	991 349 010 56	Front axle differential		1	DABA,DAB, DBCA,DBC
(1)	991 349 010 57	Front axle differential		1	DBCB,DBC
(1)	991 349 010 FX	Front axle differential		1	DBCB,DBC
2	991 421 020 01	Cardan shaft		1	
3	999 072 064 01	Conical screw M 10 X 26		2	
4	9P1 399 225	transmission carrier	front	1	
5	N 102 861 10	Hexagon collar nut self-locking M10		1	
6	991 375 343 03	transmission carrier	rear	1	
7	999 061 011 01	Threaded pin M 10 X 105		2	
8	999 084 648 01	Hexagon nut M 10		2	
9	999 072 063 02	Hexagon bolt AM 10 X 40		2	
10	996 375 054 03	gearbox mounting	rear	1	
11	991 375 257 00	Stop		2	
12	900 378 142 01	Hexagon bolt M 10 X 90		1	
13	900 380 008 01	Hexagon nut M 10		1	
14	900 385 097 01	Torx screw BM 10 X 35		3	
15	000 043 210 12	Transmission fluid Front axle differential MOBILUBE PTX 75 W 90 Container 20 LTR.		X	
16	996 421 145 01	Gaiter Cardan shaft		1	

Model: 991T13

Model life 2014>>



Model: 991T13

Model life 2014>>

Pos	Part Number	Description	Remark	Qty	Model
1	000 043 305 10	Front axle differential Individual parts sealant Loctite 5970		1	Turbo
2	9P1 906 529	Temperature sensor		1	
3	9P1 906 278	Front axle differential Pressure sensor		1	A171
3	9P1 906 278 A	Pressure sensor		1	DABA, DAB, DBCA, DBC, DBCB
4	900 067 018 04	Socket head bolt M 8 X 25		2	
5	999 650 504 40	Clip		1	
7	9P1 409 831	Bleed valve		2	
8	9P1 409 355	Flanged shaft		2	
9	9P1 409 419	snap ring 3,2 MM		2	
10	0AZ 409 400	radial shaft seal		1	A171
10	9P1 409 400	Shaft oil seal		1	DABA, DAB, DBCA, DBC, DBCB
11	WHT 007 394	sealing plug Oil filler screw M 18 X 1,5		2	
12	9P1 409 483	seal ring		4	
13	WHT 007 395	Hexagon socket flat head bolt M 8 X 45		6	
14	9P1 409 845	Cap		2	
15	9P1 409 521	Support		1	
16	991 349 811 00	Bracket		1	
17	000 043 209 33	Transmission fluid Coupling 1 LTR. Container D >> - MJ 2016		X	
(17)	000 043 302 97	Transmission fluid Coupling 0,850 LITER Container D - MJ 2017>>		X	
(17)	000 043 209 33	No longer use the part here Transmission fluid Coupling 0,850 LITER Container D - MJ 2017>>		X	
18		Transmission fluid Front axle differential see illustration:	305-010		
19	WHT 007 394 A	sealing plug PM 18 X 1,5		2	
20	9P1 906 271	Pump Discontinued part		1	A171
20	9P1 906 271 A	Pump		1	A171
20	9P1 906 271 B	Pump		1	DABA, DAB, DBCA, DBC, DBCB
21	02X 409 400 A	radial shaft seal		1	A171
21	9P1 409 400	Shaft oil seal		1	DABA, DAB, DBCA, DBC, DBCB

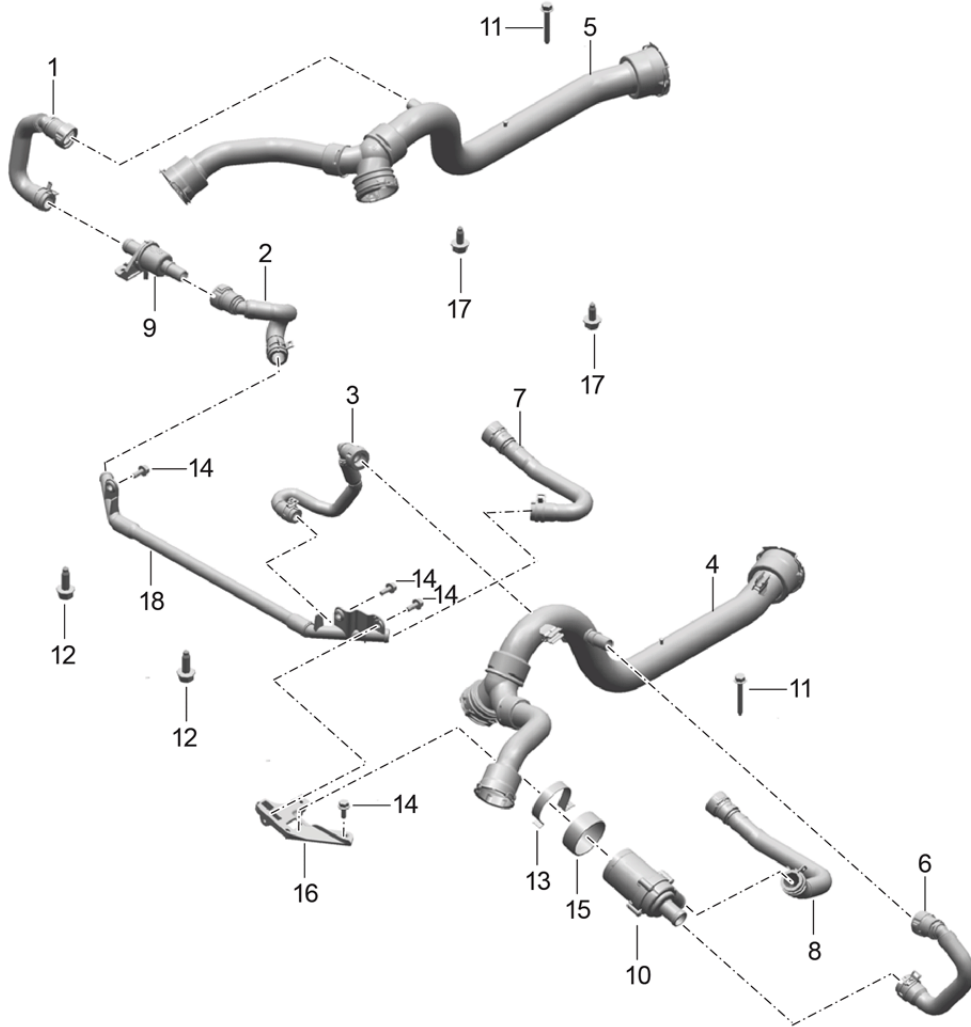
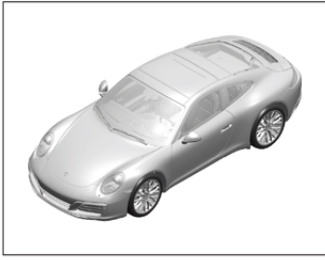
Model: 991T13

Model life 2014>>

Pos	Part Number	Description	Remark	Qty	Model
22	9P1 409 431 C	Coupling Lock control		1	A171
(22)	9P1 409 432 C	Coupling Lock control		1	DABA, DAB, DBCA, DBC, DCB
23	9P1 409 075	Oil cooler		1	
24	9P1 409 597	Seal		1	
25	991 349 801 00	connection piece Radiator		2	
26	9P1 409 539	Seal connection piece		2	
27	WHT 007 396	Hexagon socket flat head bolt M 8 X 30		10	

Model: 991T13

Model life 2014>>





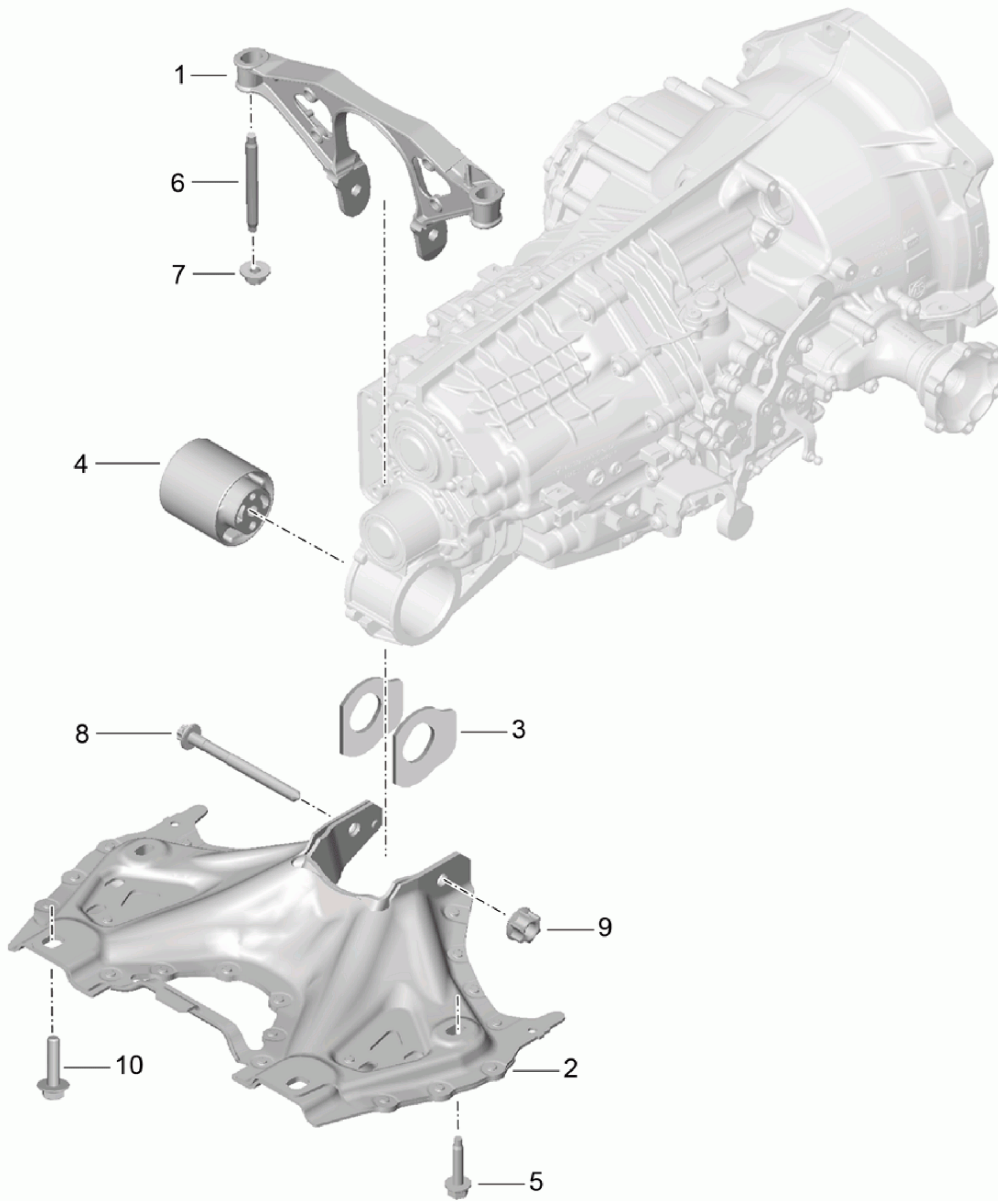
Model: 991T13

Model life 2014>>

Pos	Part Number	Description	Remark	Qty	Model
		Front axle differential			Turbo
		Cooling			
1	991 106 266 02	Water hose		1	A171
2	991 106 362 02	Water line		1	A171
3	991 106 272 03	Water line		1	A171
(3)	991 106 272 30	Water line		1	DABA,DAB, DBCA,DBC, DBCB
4	991 106 753 02	Distributor tube		1	
5	991 106 754 02	Distributor tube		1	A171
(5)	991 106 752 03	Distributor tube		1	DABA,DAB, DBCA,DBC, DBCB
6	991 106 274 02	Water line		1	
7	991 106 264 03	Water line		1	A171
8	991 106 276 02	Water line		1	
9	991 106 360 01	Valve		1	A171
10	955 106 561 10	Coolant pump		1	
		Electric			
11	900 378 270 01	Hexagon bolt		2	
		M 6 X 45			
12	900 378 173 01	Hexagon bolt		2	
		M 6 X 20			
13	958 572 148 00	Clamp spring		1	
14	N 104 514 04	Hexagon socket flat		1	
		head bolt			
		No longer use the part here			
14	900 378 035 01	Hexagon bolt		1	
		M 6 X 16			
15	958 572 409 00	Rubber gaiter		1	
16	991 106 275 00	Retainer for pump		1	A171
(16)	991 106 275 30	Retainer for pump		1	DABA,DAB, DBCA,DBC, DBCB
17	900 378 155 01	Hexagon bolt		2	
		M 6 X 16			
18	991 106 260 02	Water line	return	1	A171
		No longer use the part here			
18	991 106 260 03	Water line	return	1	A171

Model: 991T13

Model life 2014>>



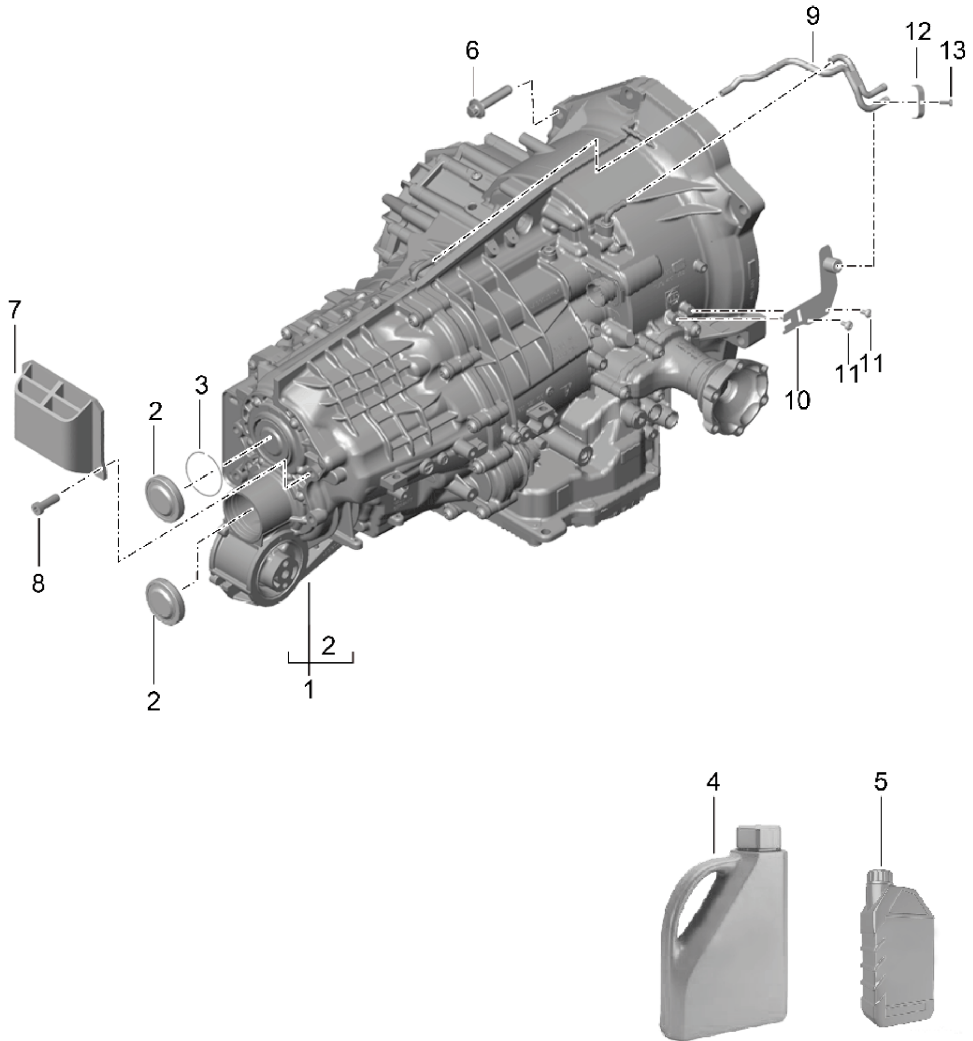
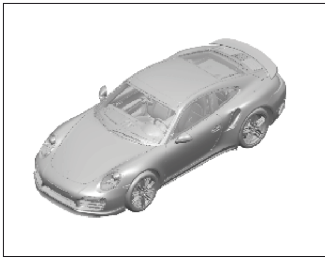
Model: 991T13

Model life 2014>>

Pos	Part Number	Description	Remark	Qty	Model
		Transmission suspension			
		Threaded joint			
		Engine			
1	991 375 039 03	transmission carrier		1	
2	991 375 114 03	Side member		1	
3	991 375 255 00	Stop		2	Cabrio
		gearbox mounting			PR:250
(3)	991 375 256 00	Stop		2	Coupe
		gearbox mounting			PR:250
(3)	991 375 257 00	Stop		2	
		gearbox mounting			
4	991 375 055 00	gearbox mounting		1	CG155,CG160
(4)	991 375 055 81	gearbox mounting		1	GT2 RS
					CG180
5	999 072 841 01	Bolt with washer		2	
		M 10 X 50			
6	999 061 009 01	Threaded pin		2	CG155
		M 10 X 64			
6	999 061 009 02	Threaded pin		2	CG160,CG180
		M 10 X 64			
7	999 084 648 01	Hexagon nut		2	
		M 10			
		No longer use the part here			
7	999 076 053 01	Hexagon nut		2	
		M 10			
8	900 385 164 01	Outer hexagon round screw		1	
		BM 12 X 1,5 X 140			
9	999 086 009 02	Nut		1	
		M 12 X 1,5			
10	999 072 063 02	Hexagon bolt		2	
		AM 10 X 40			

Model: 991T13

Model life 2014>>



Model: 991T13

Model life 2014>>

Pos	Part Number	Description	Remark	Qty	Model
-		- PDK - Gearbox Replacement transmission see Technical information Group 3			CG155,CG160, CG180
1	9G1 300 031 55	Replacement transmission with: limited slip differential		1	CG155+ PR:221
1	9G1 300 031 FX	Replacement transmission with: limited slip differential		1	CG155+ PR:221
1	9G1 300 031 60	Replacement transmission with: limited slip differential		1	CG160+ PR:221
1	9G1 300 031 LX	D >> - 23.06.2016 Replacement transmission with: limited slip differential		1	CG160+ PR:221
1	9G1 300 031 61	D >> - 23.06.2016 Replacement transmission with: limited slip differential		1	CG160+ PR:221
1	9G1 300 031 PX	D - 24.06.2016>> Replacement transmission with: limited slip differential		1	CG160+ PR:221
1	9G1 300 031 80	D - 24.06.2016>> Replacement transmission with: limited slip differential		1	GT2 RS CG180+ PR:221
1	9G1 300 031 TX	Replacement transmission with: limited slip differential		1	GT2 RS CG180+ PR:221
2	9G1 321 360 00	End cap	rear	2	
3	9G1 302 375 00	Gear housing seal ring		1	
4	000 043 207 30	End cap Transmission fluid PENTOSIN FFL 3 20 LTR. Container		X	
(4)	000 043 207 29	Transmission fluid PENTOSIN FFL 3 1 LTR. Container		X	
5	000 043 204 20	Transmission fluid 75 W 90 MOBILUBE PTX Differential 20 LTR. Container		X	CG155
(5)	000 043 210 12	Transmission fluid 75 W 90 MOBILUBE PTX Differential Container 20 LTR.		X	CG160,CG180
6	999 385 009 01	Hexagon head bolt M 12 X 1,5 X 55 Threaded joint Engine and transmission		6	
7	991 449 105 02	Shock absorber		1	CG155
7	9P1 399 541	Shock absorber		1	CG160,CG180
8	999 073 209 01	Socket head bolt		2	

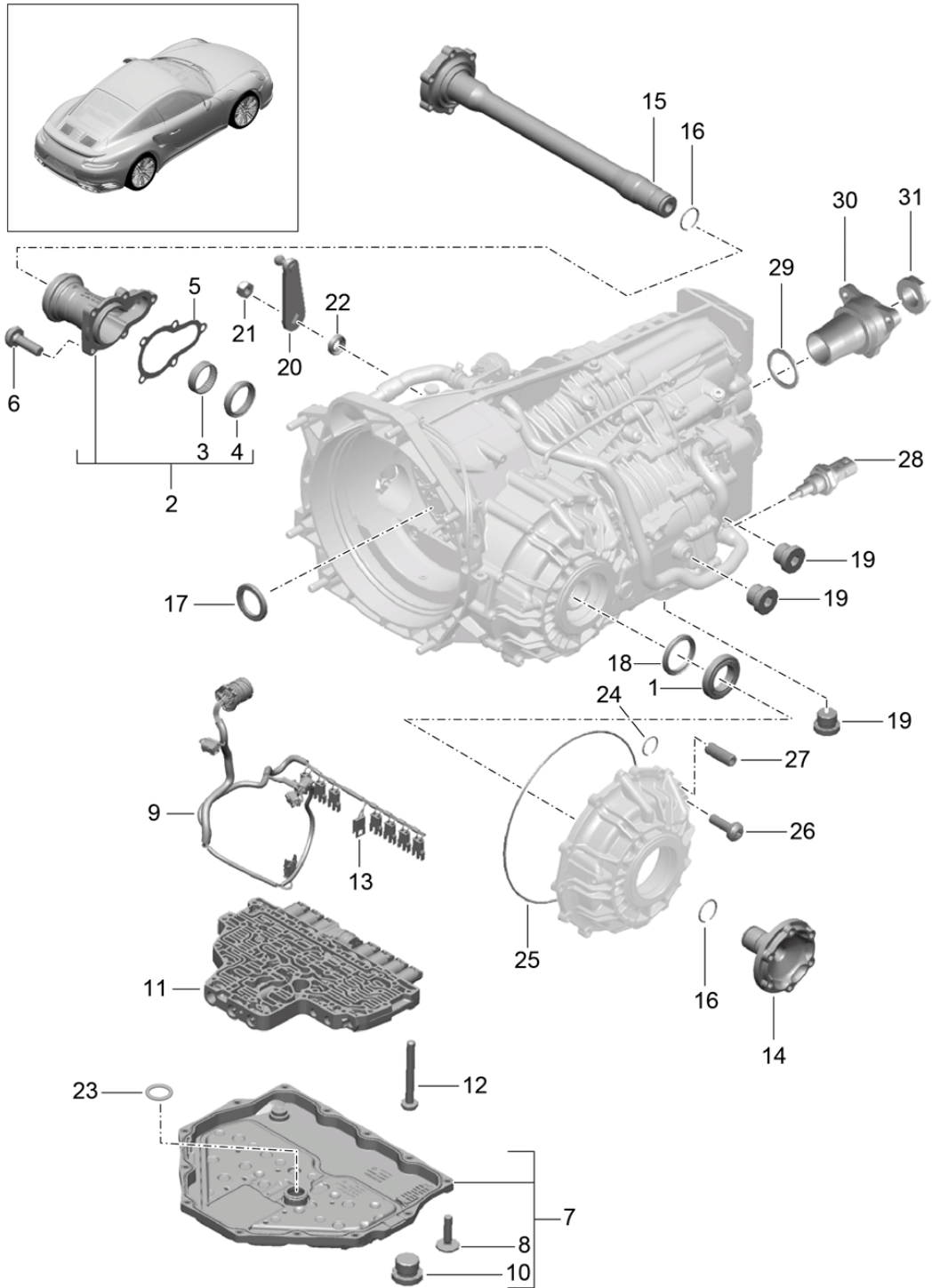
Model: 991T13

Model life 2014&gt;&gt;

Pos	Part Number	Description	Remark	Qty	Model
9	9G1 321 011 06	M 10 X 20 Breather line		1	CG160,CG180
(9)	9G1 321 011 03	Bleeding		2	CG155
10	9G1 307 407 03	Bracket Breather line		1	CG160
11	N 910 682 01	Hexagon socket flat head bolt		2	
12	999 649 025 01	Bracket		1	CG160,CG180
13	999 073 344 01	flat round head bolt		1	CG160,CG180

Model: 991T13

Model life 2014>>



Model: 991T13 Model life 2014>>

Pos	Part Number	Description	Remark	Qty	Model
		- PDK - Gearbox Individual parts			
1	9G1 332 806 00	Shaft oil seal 40X52 / 55X40		1	CG155
1	9G1 332 806 01	Shaft oil seal 40X52 / 55X40		1	CG160,CG180
2	9G1 321 959 00	Housing neck (complete)		1	CG155
2	9G1 321 059 00	Housing neck (complete)		1	CG160,CG180
3		needle bearing - Not available To Use 9G1.321.959.00		1	
4	9G1 332 804 00	Shaft oil seal 42 X 55 X 7		1	CG155
4	9G1 332 804 01	Shaft oil seal 42 X 55 X 7		1	CG160,CG180
5	9G1 321 259 00	Seal flange		1	
6	9G1 332 801 00	Torx screw M8 X 25		5	
7	9G1 321 025 00	oil sump (complete)		1	
8	9G1 321 801 00	Torx screw M6 X 25		13	
9		Wire set Control unit Not available			
10	9G1 321 825 01	sealing plug Included seal ring		1	
11	9G1 317 015 35	Control unit Hydraulic - PDK -		1	CG155+ A171
11	9G1 317 015 35	Control unit Hydraulic - PDK -		1	CG160,CG180+ DABA,DAB, DBCA,DBC, DBCB,DHNA
12	9G1 317 801 00	Screw M6X55	also use: 918 317 801 00	20	CG155+ A171
12	918 317 801 00	Torx screw aluminium M6X55		20	CG160,CG180+ DABA,DAB, DBCA,DBC, DBCB,DHNA
13	9G1 317 698 00	Connector housing Solenoid valve		7	
14	9G1 332 028 55	Drive flange	short	1	CG155,CG160
(14)	9G1 332 209 95	Drive flange	long	1	
15	9G1 332 029 55	Drive flange	long	1	CG155,CG160
(15)	9G1 332 208 95	Drive flange	short	1	CG180
16	9G1 332 820 00	snap ring D36 X 2,6		2	
17	9G1 116 807 00	Shaft oil seal for Coupling 40 X 57 X 6		1	



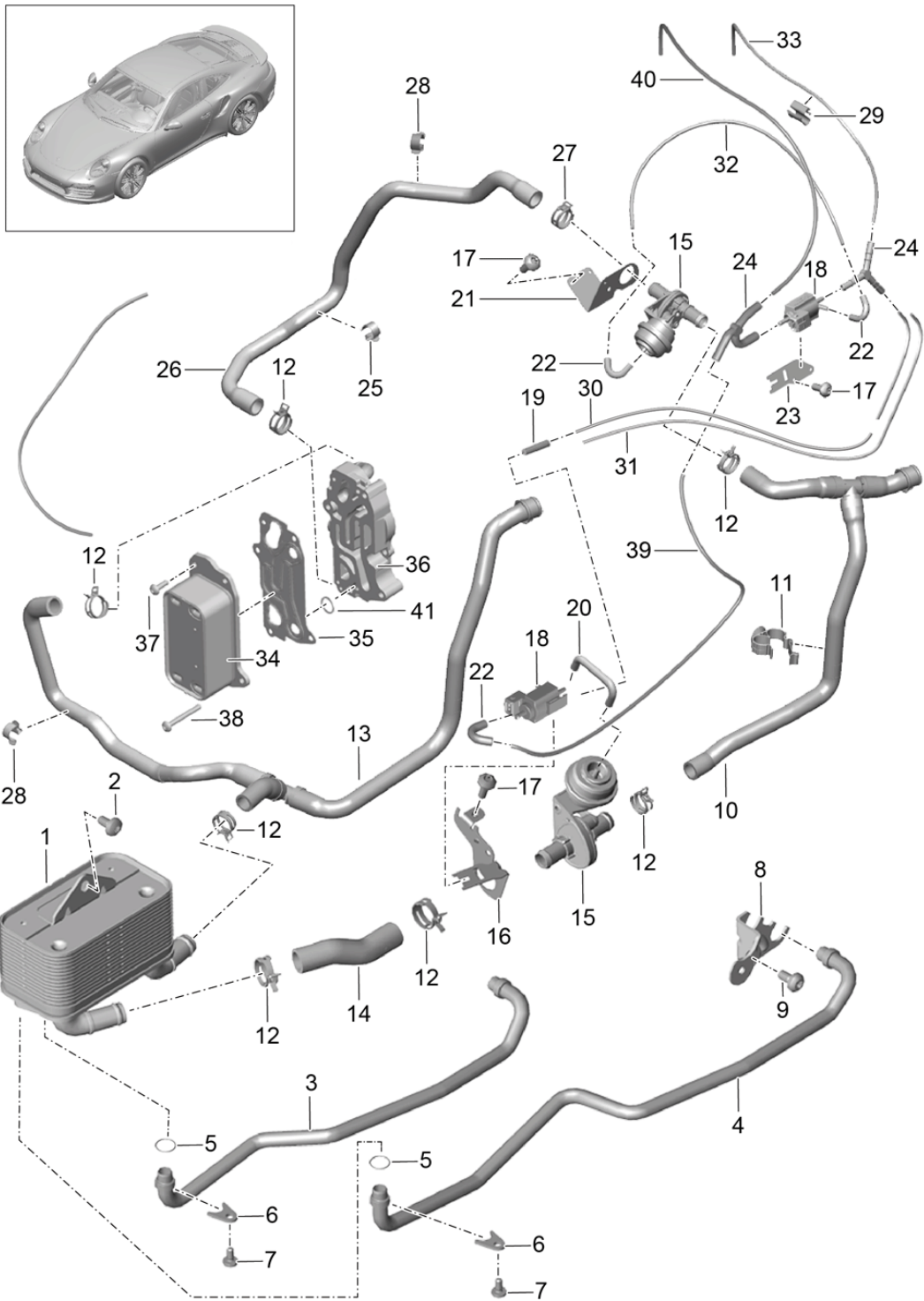
Model: 991T13

Model life 2014&gt;&gt;

Pos	Part Number	Description	Remark	Qty	Model
18	9G1 332 803 00	Shaft oil seal 64X82X8		1	
18	9G1 332 803 01	No longer use the part here Shaft oil seal 64X82X8		1	
19	970 321 805 00	Seal bolt with sealing ring M 18 X 1,5		3	
20	9G1 324 135 05	gearshift lever		1	
21	9G1 324 815 00	Nut M 8 X 1		1	
22	970 324 805 00	Shaft oil seal 10 X 18 X 5		1	
23	9G1 307 892 00	O-ring oil pipe		1	PR:221
24	9G1 321 818 00	O-ring		2	PR:221
25	9G1 321 815 00	O-ring 221 X 3		1	
26	9G1 332 801 00	Torx screw M 8 X 25		13	
27	9G1 321 890 00	Cylinder pin D 10 X 28		1	
28	991 606 391 00	Temperature sensor		1	
29	9G1 321 807 00	Shaft oil seal 45 X 58 X 7		1	CG155,CG160
30	9G1 302 301 35	Output flange		1	CG155,CG160
31	9G1 302 824 00	Nut M 24 X 1,5		1	CG155,CG160

Model: 991T13

Model life 2014>>



Model: 991T13

Model life 2014>>

Pos	Part Number	Description	Remark	Qty	Model
		- PDK - Gearbox heat exchanger oil pipe Water pipe			Turbo CG155,CG160
1	9G1 307 017 00	heat exchanger		1	
2	9G1 307 813 00	Torx screw M 6 X 12		3	
3	9G1 307 087 05	Oil pipe heat exchanger		1	
4	9G1 307 085 05	Oil return line heat exchanger	feed	1	
5	9G1 307 891 00	seal ring Oil pipe heat exchanger		4	
6	9G1 307 245 00	Retaining plate Oil pipe heat exchanger		2	
7	9G1 307 813 00	Torx screw M 6 X 12		2	
8	9G1 307 255 00	Retaining plate Oil pipe		1	
9	9G1 307 802 00	Gearbox Torx screw M 8 X 15		1	
10	9G1 307 731 01	Hose Coolant		1	
11	999 507 855 40	Cable holder 12,00 / 12,00	feed	1	
12	999 512 589 09	Hose clamp 25 X 12		6	
13	9G1 307 735 01	Hose Coolant		1	CG155
13	9G1 307 735 02	Hose Coolant	return	1	CG160
14	9G1 307 713 05	Coolant hose Coolant	return	1	
15	991 307 573 00	Disc valve		2	
16	9G1 307 401 05	Bracket Disc valve		1	CG155
16	9G1 307 401 12	Bracket Disc valve		1	CG160
17	N 910 682 01	Hexagon socket flat head bolt M 4 X 10		7	
18	7PP 906 283 C	Change-over valve No longer use the part here		2	
18	7PP 906 283 F	Change-over valve F 99-FS111 979>>		2	
18	7PP 906 283 F	Change-over valve		2	
-	991 612 944 00	also use: F >> 99-FS111 978 Wire set for Change-over valve F >> 99-FS111 978	991 612 944 00	1	
19	999 239 040 40	Connecting piece		2	
20	9G1 307 675 00	Vacuum hose		1	CG155
20	9G1 307 673 00	Molded hose		1	CG160

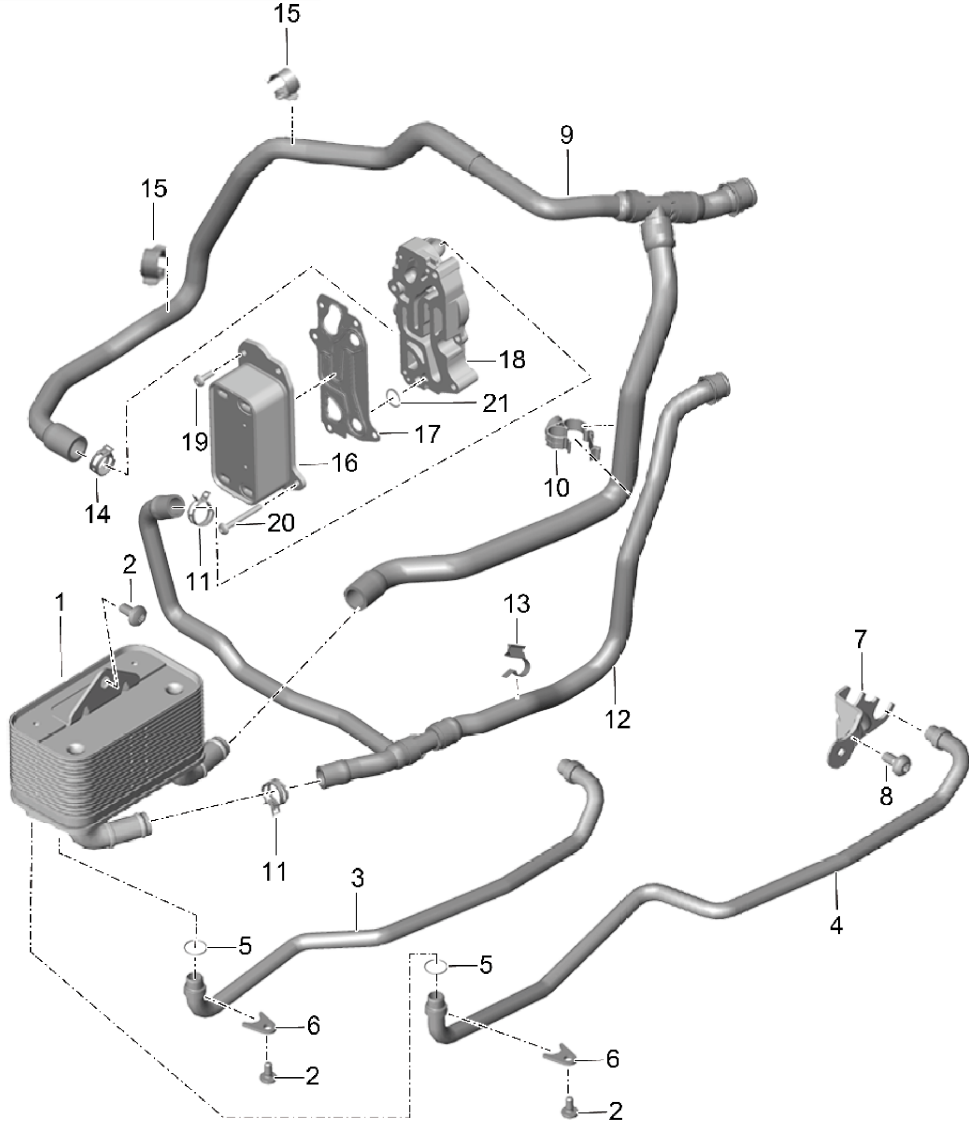
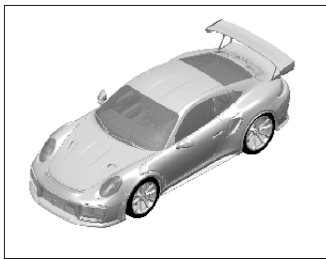
Model: 991T13

Model life 2014>>

Pos	Part Number	Description	Remark	Qty	Model
21	9G1 307 411 01	Bracket Disc valve		1	
22	928 574 717 06	Molded hose		3	CG155
22	928 574 717 07	Molded hose		3	CG160
		No longer use the part here			
22	9P1 129 487	Molded hose		3	CG160
23	9G1 307 407 00	Bracket Change-over valve		1	
24	928 573 727 05	Distributor		2	
25	999 651 418 01	Bracket Hose		1	
26	9G1 307 733 01	Hose Coolant Supply		1	
27	999 512 656 09	Hose clamp B 25 X 12		1	
28	999 651 358 01	Bracket 15 - 21		2	
29	811 971 848 B	Retaining clip 4,8 - 5,3		1	
-	900 918 005 40	Pipe Vacuum line 5,0 X 1,0		X	
30		Vacuum line L = 420MM		1	
-	000 043 205 01	Pipe Vacuum line 4,0 X 1,0		*	
31		Vacuum line L = 480MM		1	
32		Vacuum line L = 400MM		1	
-	900 918 005 40	Pipe Vacuum line 5,0 X 1,0		X	
33		Vacuum line L = 420MM		1	
34	9G1 307 019 00	heat exchanger		1	
		also use:	9G1 307 241 00	1	
			991 307 822 00	2	
			991 307 823 00	3	
35	9G1 307 241 00	Seal heat exchanger		1	
		also use:	991 307 822 00	2	
			991 307 823 00	3	
36	9G1 307 033 31	Oil pump housing		1	
37	9G1 307 822 00	flat round head bolt No longer use the part here		3	
37	991 307 823 00	flat round head bolt		3	
38	9G1 307 823 00	flat round head bolt No longer use the part here		2	
38	991 307 822 00	flat round head bolt M 6 X 20		2	
-	900 918 110 40	Pipe Vacuum line 5,0 X 1,0		*	
39		Vacuum line L = 520MM		1	
40	999 181 489 40	Breather line		1	
41	9G1 307 890 00	O-ring		1	

Model: 991T13

Model life 2014>>



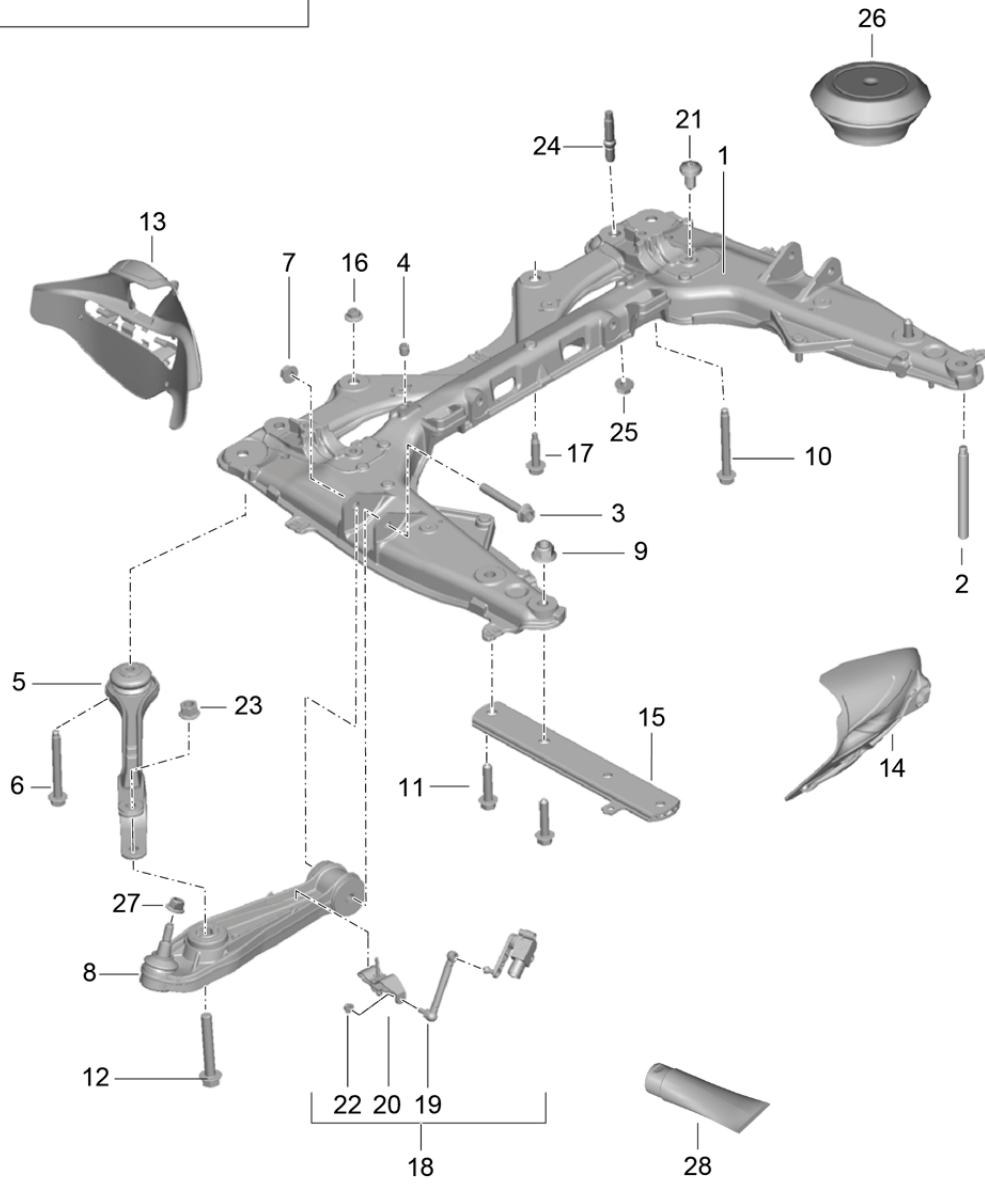
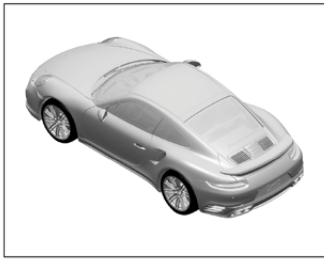
Model: 991T13

Model life 2014>>

Pos	Part Number	Description	Remark	Qty	Model
		- PDK - Gearbox heat exchanger oil pipe Water pipe			GT2 RS CG180
1	9G1 307 017 00	heat exchanger		1	
2	9G1 307 813 00	Torx screw M 6 X 12		5	
3	9G1 307 087 05	Oil pipe heat exchanger		1	
4	9G1 307 085 05	Oil return line heat exchanger	feed	1	
5	9G1 307 891 00	seal ring Oil pipe heat exchanger		4	
6	9G1 307 245 00	Retaining plate Oil pipe heat exchanger		2	
7	9G1 307 255 00	Retaining plate Oil pipe Gearbox		1	
8	9G1 307 802 00	Torx screw M 8 X 15		1	
9	9G1 307 731 80	Hose Coolant		1	
10	9A7 121 093 03	Cable holder 12,00 / 12,00	feed	1	
11	999 512 589 09	Hose clamp 25 X 12		2	
12	9G1 307 735 80	Hose Coolant		1	
13	999 651 418 01	Bracket Hose	return	1	
14	999 512 656 09	Hose clamp B 25 X 12		1	
15	999 651 358 01	Bracket 15 - 21		2	
16	9G1 307 019 00	heat exchanger		1	
		also use:	9G1 307 241 00	1	
			991 307 822 00	2	
			991 307 823 00	3	
17	9G1 307 241 00	Seal heat exchanger		1	
		also use:	991 307 822 00	2	
			991 307 823 00	3	
18	9G1 307 033 31	Oil pump housing		1	
19	991 307 823 00	flat round head bolt		3	
20	991 307 822 00	flat round head bolt M 6 X 20		2	
21	9G1 307 890 00	O-ring		1	

Model: 991T13

Model life 2014>>



Model: 991T13

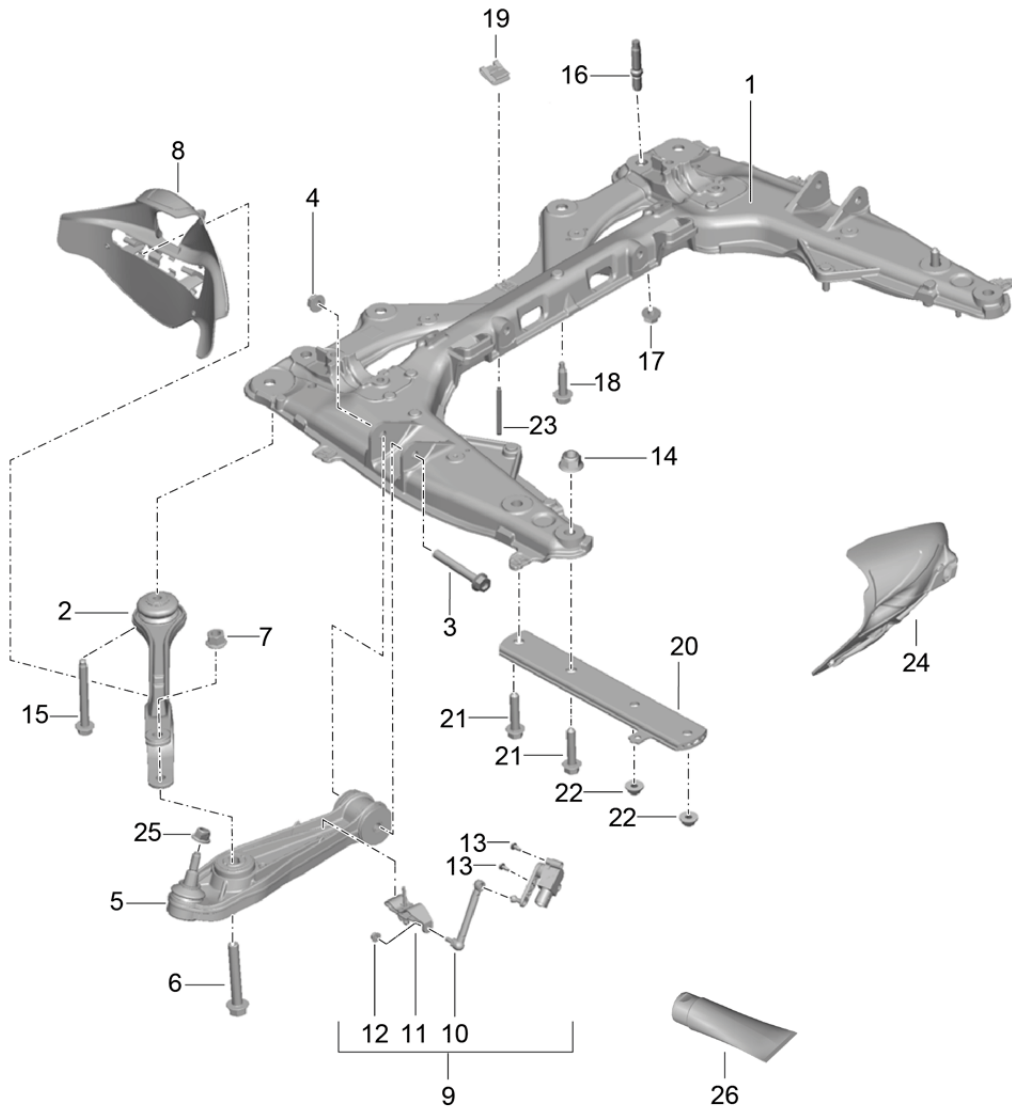
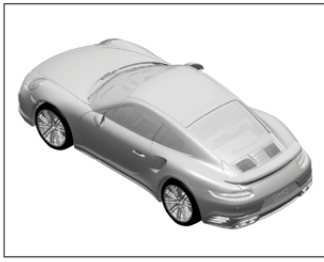
Model life 2014>>

Pos	Part Number	Description	Remark	Qty	Model
		Cross member Wishbone D >> - MJ 2016			PR:-D97
1	991 341 081 37	Cross member		1	
2	999 061 011 01	Threaded pin M10X105		2	
3	999 072 836 01	Hexagon bolt AM10X60		4	
4	900 197 070 00	spring pin		1	
5	991 341 043 02	Guide		2	
6	999 072 852 01	Hexagon bolt M 12 X 1,5 X 90		2	
(6)	9A7 008 209 00	Discontinued part Hexagon bolt M 12 X 1,5 X 90		2	
7	999 084 445 01	Locknut M 12 X 1,5		2	
8	991 341 053 01	Wishbone		2	
(8)	991 341 053 21	Wishbone		2	PR:352
9	999 084 449 09	Locknut M 12 X 1,5		2	
10	999 072 864 01	Hexagon bolt M 12 X 1,5 X 105		2	
11	N 911 489 01	multi-point socket head bolt with collar M 12 X 1,5 X 60		4	
12	999 072 892 01	Hexagon bolt AM 14 X 1,5 X 95		2	
13	991 341 483 02	Spoiler	left	1	PR:-450
(13)	981 341 483 00	Spoiler	left	1	PR:450
(13)	991 341 484 02	Spoiler	right	1	PR:-450
(13)	981 341 484 00	Spoiler	right	1	PR:450
14	991 341 491 00	Air guide channel	left	1	
(14)	991 341 492 00	Air guide channel	right	1	
15	991 504 741 00	Brace		2	
16	999 084 648 01	Hexagon nut M 10		4	
17	999 072 863 01	Hexagon bolt M 12 X 1,5 X 50		2	
18	991 343 021 00	Level sensor		2	PR:352,475
19	991 343 327 00	Brace connecting rod		2	
20	996 341 371 03	Bracket for cross member		2	
21	N 104 857 03	Hexagon socket flat head bolt		6	
22	900 380 015 01	Hexagon nut M 6		2	
23	900 380 012 01	Hexagon nut M 14 X 1,5		2	
24	999 061 125 01	Threaded pin M 12 X 1,5		2	
25	N 909 167 01	Hexagon collar nut self-locking M 12 X 1,5		2	
26	999 703 561 40	End cap	left	1	
(26)	999 703 560 40	End cap	right	1	
27	999 084 449 09	Locknut M 12 X 1,5		2	
28	9A7 915 576 01	Corrosion protection		1	



Model: 991T13

Model life 2014>>

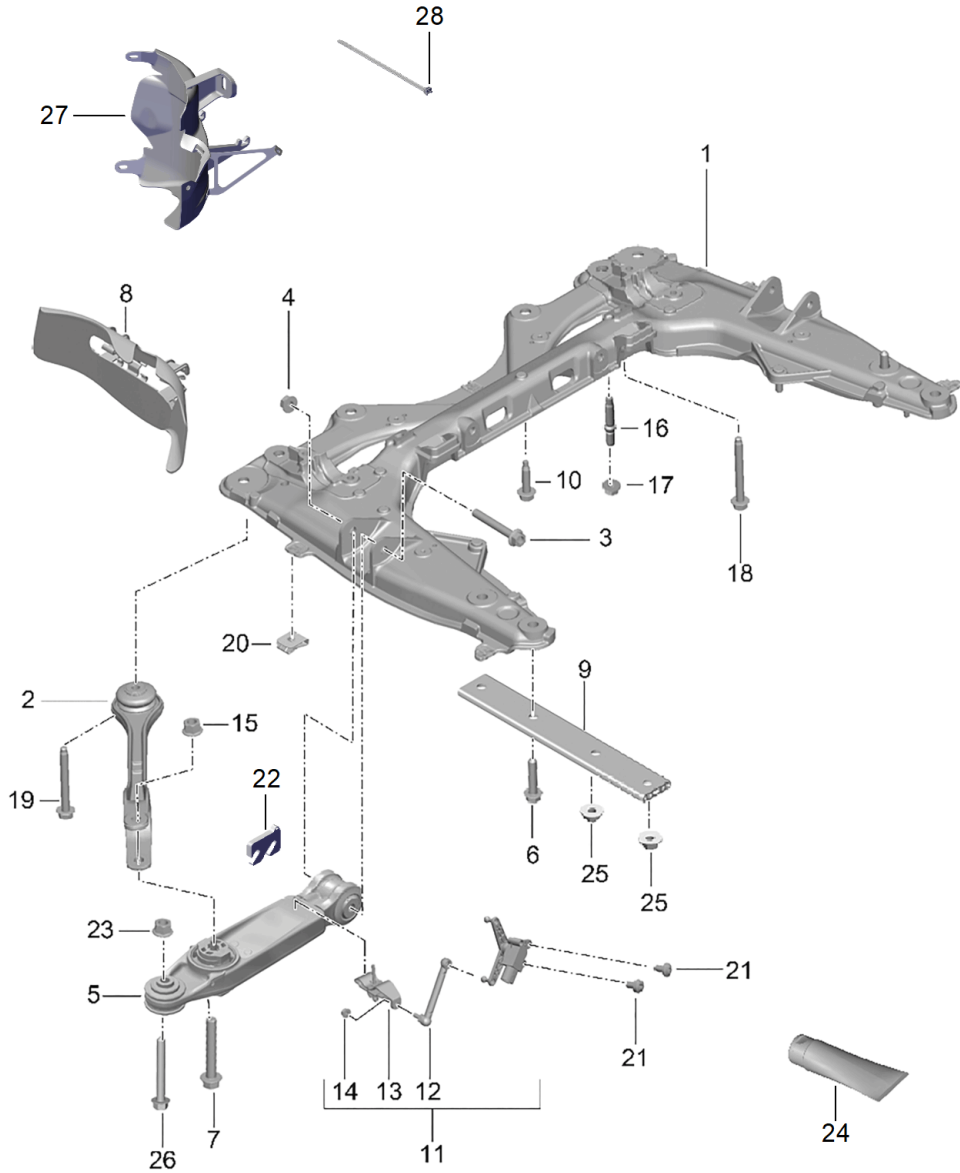
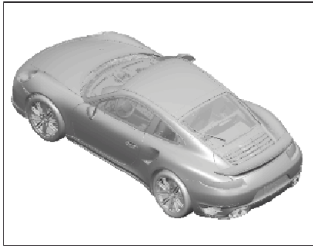


Model: 991T13 Model life 2014>>

Pos	Part Number	Description	Remark	Qty	Model
		Cross member Wishbone D - MJ 2017>>			PR: -D97
1	991 341 081 40	Cross member		1	
2	991 341 043 03	Guide		2	
3	999 072 852 01	Hexagon bolt M 12 X 1,5 X 90 Discontinued part		2	
(3)	9A7 008 209 00	Hexagon bolt M 12 X 1,5 X 90		2	
4	999 084 445 01	Locknut M 12 X 1,5		2	
5	991 341 053 01	Wishbone		2	
6	999 072 892 01	Hexagon bolt AM 14 X 1,5 X 95		2	
7	900 380 012 01	Hexagon nut M 14 X 1,5		2	
8	991 341 483 02	Spoiler	left	1	
(8)	991 341 484 02	Spoiler	right	1	
(8)	981 341 483 00	Spoiler	left	1	PR:450
(8)	981 341 484 00	Spoiler	right	1	PR:450
9	991 343 021 01	Level sensor		1	
10	991 343 327 00	Brace		1	
11	996 341 371 03	Bracket for cross member		1	
12	900 380 015 01	Hexagon nut M 6		2	
13	N 104 857 03	Hexagon socket flat head bolt M 5 X 12		2	
14	999 084 449 09	Locknut M 12 X 1,5		2	
15	999 072 864 01	Hexagon bolt AM 12 X 1,5 X 105		2	
16	999 061 125 01	Threaded pin M 12 X 1,5		2	
17	N 909 167 01	Hexagon collar nut self-locking M 12 X 1,5		2	
18	999 072 863 01	Hexagon bolt AM12X1,5X50		2	
19	999 507 795 09	panel nut ST 4,8		5	
20	991 504 741 00	Brace		2	
21	N 911 489 01	multi-point socket head bolt with collar M 12 X 1,5 X 60		4	
22	999 084 648 01	Hexagon nut M 10		4	
23	999 061 011 01	Threaded pin		2	
24	991 341 491 01	Air guide channel	left	1	
(24)	991 341 492 01	Air guide channel	right	1	
25	999 084 449 09	Locknut M 12 X 1,5		2	
26	9A7 915 576 01	Corrosion protection		1	

Model: 991T13

Model life 2014>>



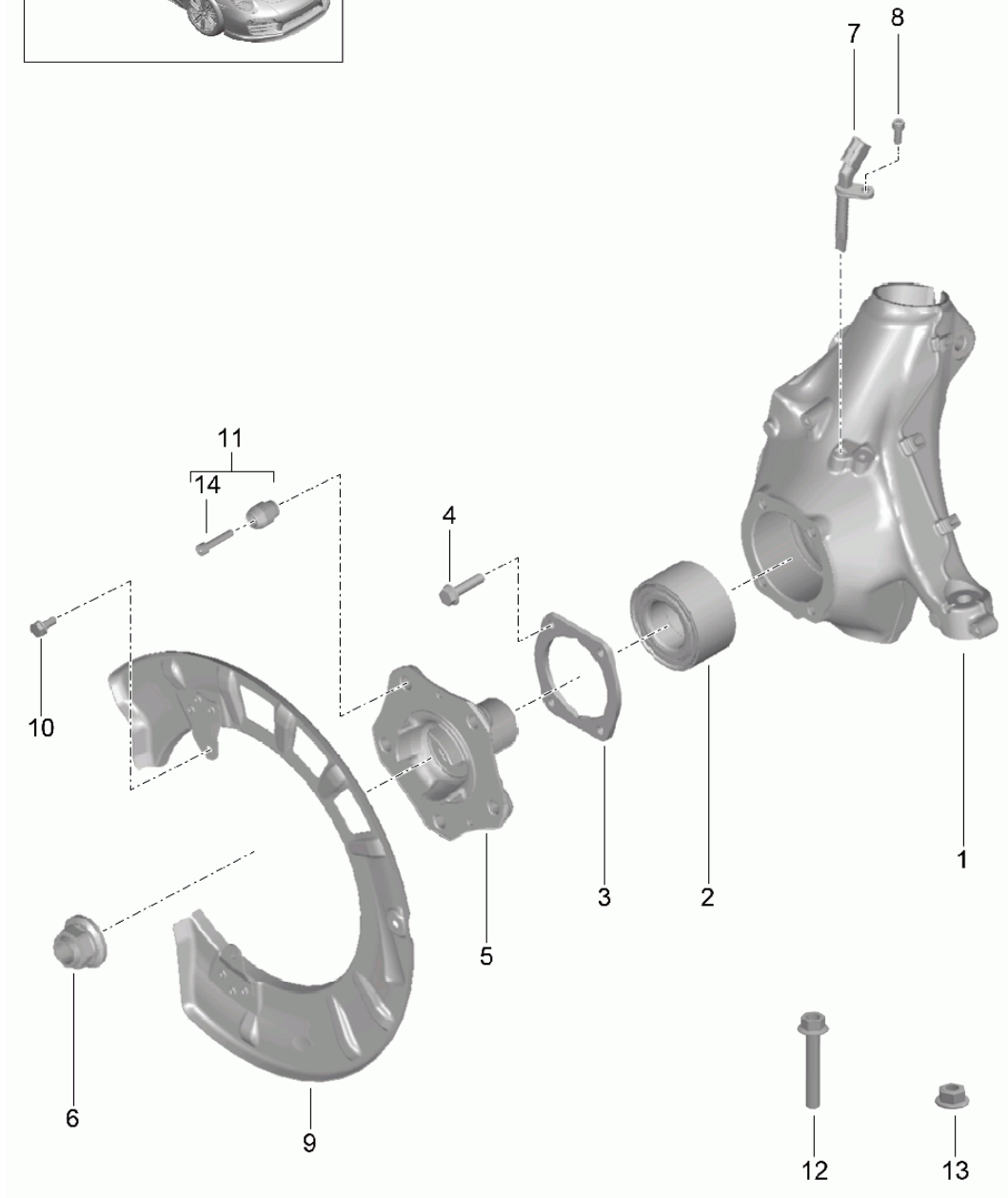
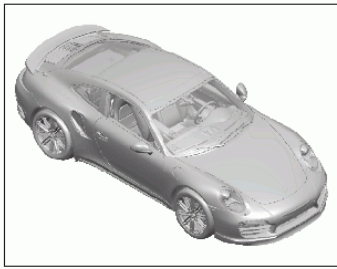
Model: 991T13

Model life 2014>>

Pos	Part Number	Description	Remark	Qty	Model
		Cross member Wishbone			PR:D97
1	991 341 081 16	Cross member		1	
2	991 341 043 81	Guide		2	
3	9A7 008 209 00	Hexagon bolt M 12 X 1,5 X 90		2	
4	999 084 445 01	Locknut M 12 X 1,5		2	
5	991 341 041 89	Wishbone	left	1	
(5)	991 341 042 89	Wishbone	right	1	
6	N 911 489 01	multi-point socket head bolt with collar M 12 X 1,5 X 60		4	
7	999 072 892 01	Hexagon bolt AM 14 X 1,5 X 92		2	
8	991 341 383 82	Spoiler Guide	left	1	
(8)	991 341 384 82	Spoiler Guide	right	1	
9	991 504 741 00	Brace		2	
10	999 072 863 01	Hexagon bolt M 12 X 1,5 X 50		2	
11	991 343 921 80	Level sensor		2	PR:475
15	900 380 012 01	Hexagon nut M 14 X 1,5		2	
16	999 061 125 01	Threaded pin M 12 X 1,5		4	
18	999 072 836 01	Hexagon bolt M 10 X 60		2	
19	999 072 864 01	Hexagon bolt AM 12 X 1,5 X 105		2	
20	999 507 309 02	panel nut ST 4,8		6	
21	N 104 857 03	Hexagon socket flat head bolt M 5X12		4	
22	996 341 543 93	adjusting washer 7 MM		2	
23	999 084 449 09	Locknut M 12 X 1,5		2	
24	9A7 915 576 01	Corrosion protection		1	
25	999 084 648 01	Hexagon nut M 10		4	
26	999 072 877 01	Hexagon bolt M 12 X 1,5 X 95		2	
27	991 575 131 82	Air guide	left	1	
(27)	991 575 132 82	Air guide	right	1	
28	999 507 939 01	Cable ties	8,0-47,0	2	

Model: 991T13

Model life 2014>>



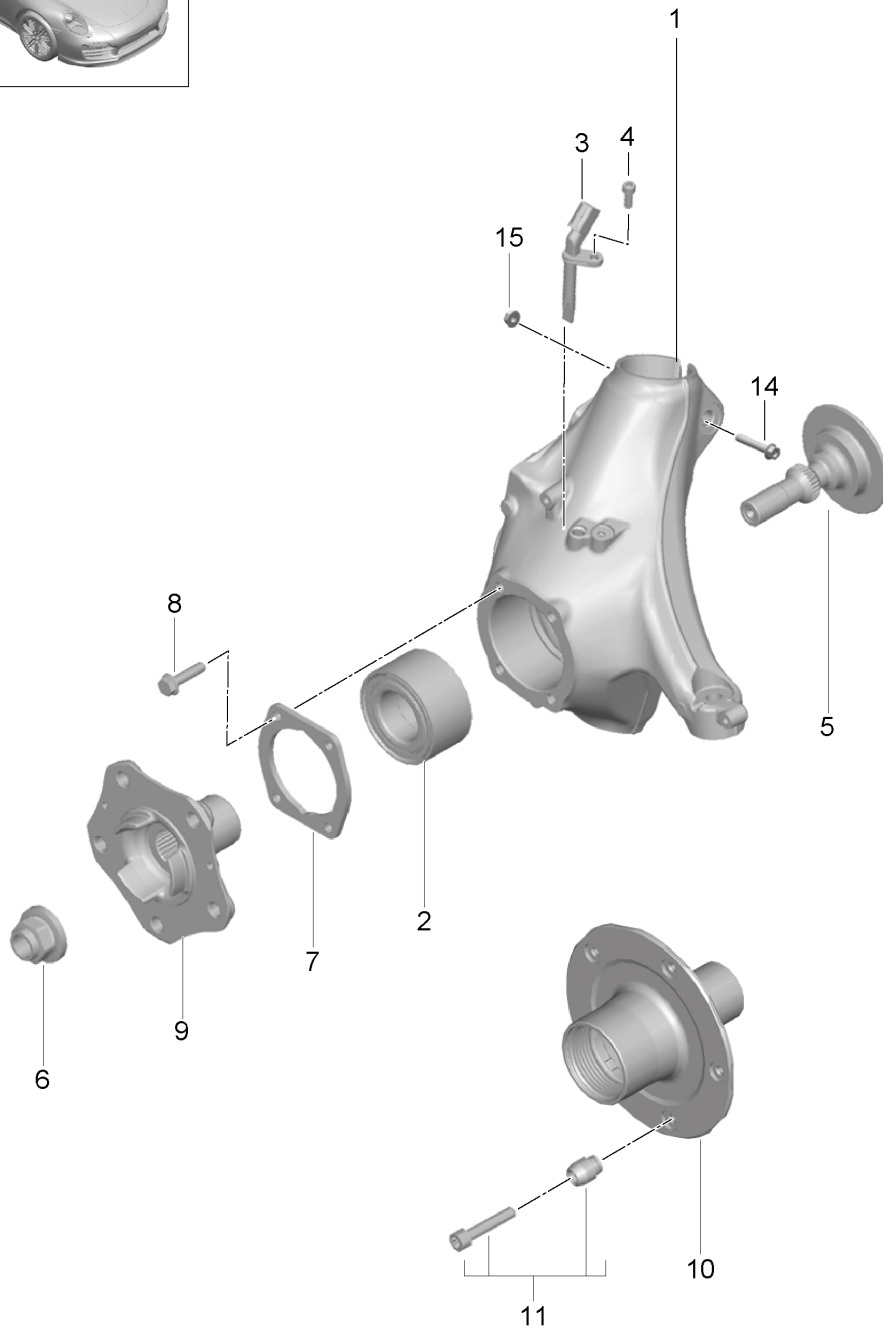
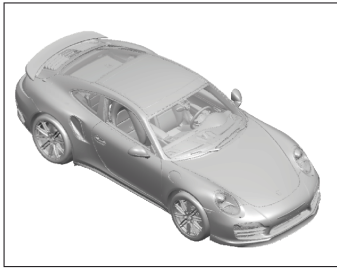
Model: 991T13

Model life 2014>>

Pos	Part Number	Description	Remark	Qty	Model
		Wheel carrier Wheel hub D >> - MJ 2016			PR:-D97
1	991 341 157 24	Wheel carrier	left	1	
(1)	991 341 158 24	Wheel carrier	right	1	
2	999 053 054 06	angular ball bearing		2	
3	986 331 661 20	Cover		2	
4	999 217 042 04	Hexagon bolt M 8 X 35		8	
5	991 341 605 02	Wheel hub Discontinued part		2	PR:-478
(5)	991 341 605 03	Wheel hub		2	PR:-478
(5)	991 341 607 00	Wheel hub		2	PR:478
6	999 084 135 02	Hexagon nut M 22 X 1,5		2	PR:478
7	991 606 407 01	speed sensor		2	
8	900 067 117 04	Socket head bolt M 6 X 16		2	
9	991 351 803 02	Cover plate	left	2	PR:-450
(9)	991 351 804 02	Cover plate	right	2	PR:-450
(9)	991 351 805 02	Cover plate No longer use the part here	left	2	PR:450
(9)	991 351 805 03	Cover plate	left	2	PR:450
(9)	991 351 806 02	Cover plate No longer use the part here	right	2	PR:450
(9)	991 351 806 03	Cover plate	right	2	PR:450
10	999 217 116 01	Hexagon bolt M6 X 16		6	
11	991 341 901 00	1 set attachment parts comprising: Driving pin		2	PR:478
		Socket head bolt		5	
12	999 072 851 01	Hexagon bolt M 12 X 1,5 X 70		5	
13	999 084 445 01	Locknut M12 X 1,5		2	
14	991 341 903 00	Set of fastening parts comprising: Socket head bolt		1	PR:478
		No longer use the part here		10	
(14)	900 387 023 02	Socket head bolt		10	PR:478

Model: 991T13

Model life 2014>>



Model: 991T13

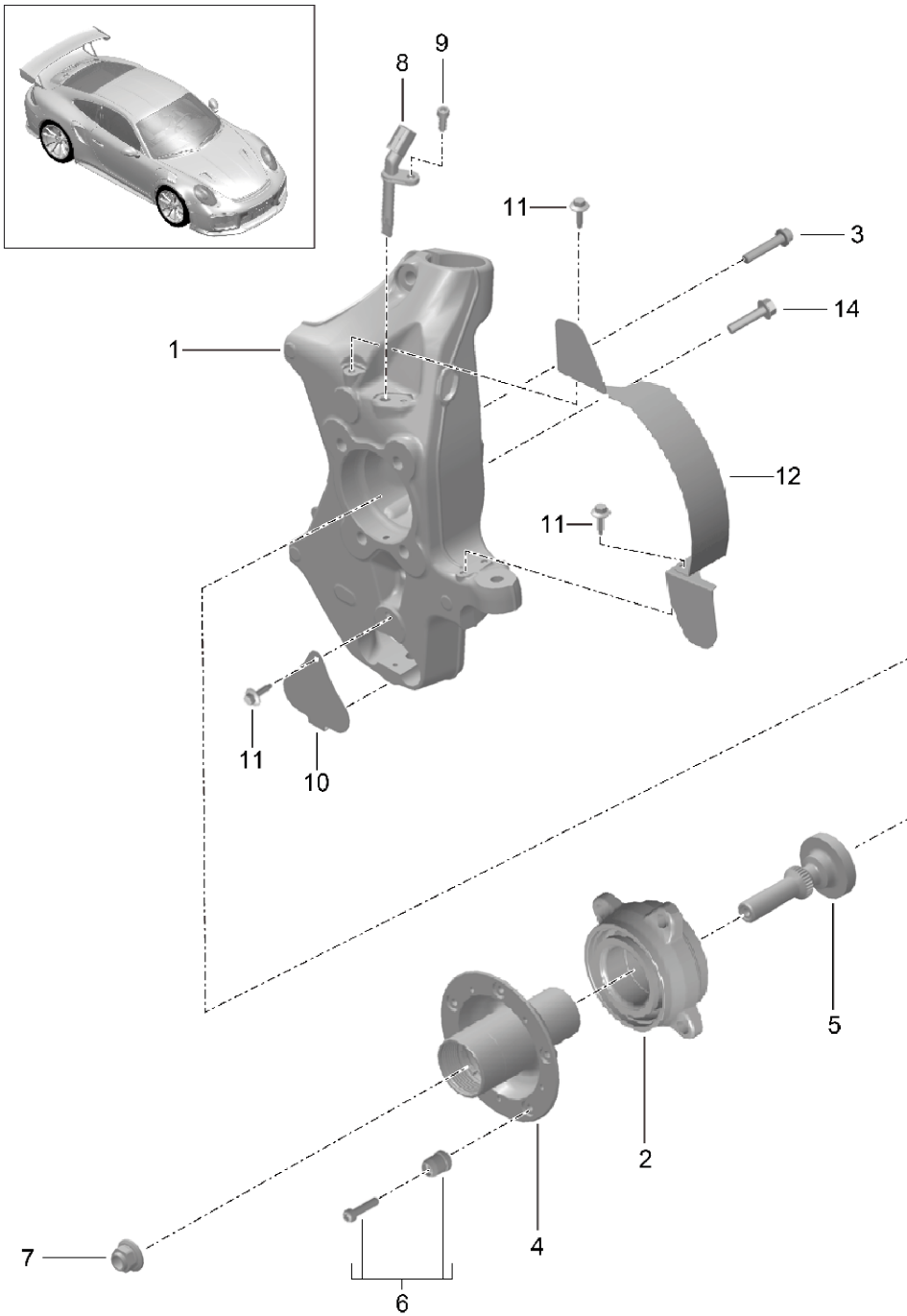
Model life 2014>>

Pos	Part Number	Description	Remark	Qty	Model
		Wheel carrier Wheel hub D - MJ 2017>>			PR:-D97
1	991 341 157 31	Wheel carrier	left	1	PR:470
(1)	991 341 158 31	Wheel carrier	right	1	PR:470
2	9P1 407 621	angular ball bearing		2	
3	991 606 407 01	speed sensor		2	
4	900 067 117 04	Socket head bolt M 6 X 16		2	
6	WHT 007 021	hex. nut, self-locking with washer M 22 X 1,5 S		2	
(6)	999 084 135 02	Hexagon nut M 22 X 1,5 S		2	
7	986 331 661 20	Cover		2	
8	999 217 042 03	Hexagon bolt M 8 X 35		8	
9	991 341 605 03	Wheel hub		2	PR:-478
10	991 341 607 01	Wheel hub		2	PR:478
11	991 341 901 00	1 set attachment parts comprising: Driving pin Socket head bolt		2	PR:478
14	999 084 445 01	Locknut RADTRAEGER	M12X1,5	1	
15	999 072 851 01	Hexagon bolt RADTRAEGER	M12X1,5X70 upper	1	



Model: 991T13

Model life 2014>>



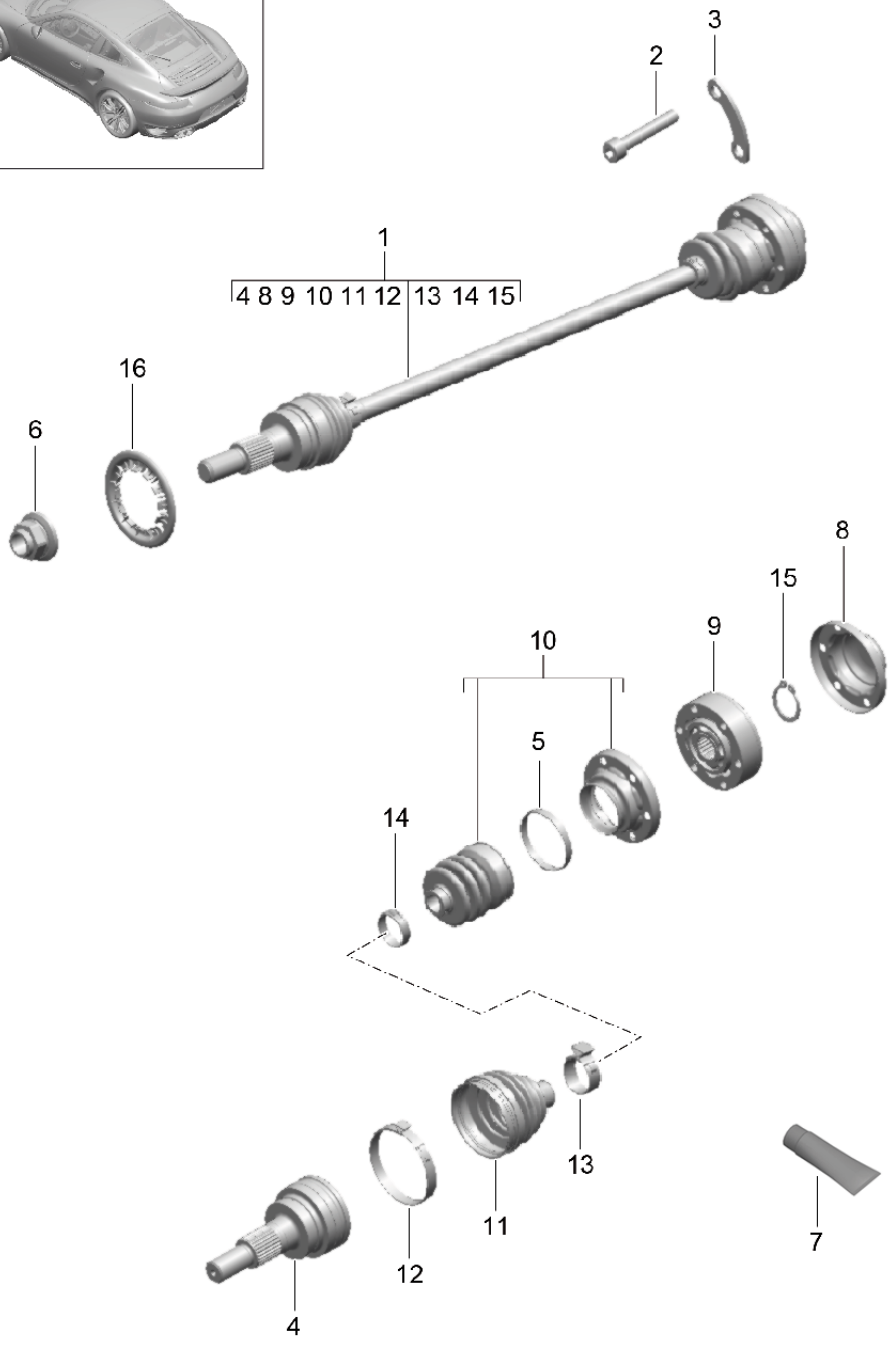
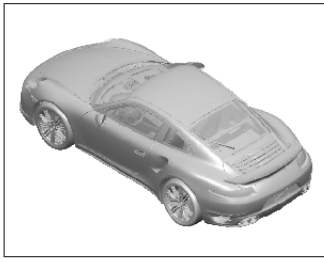
Model: 991T13

Model life 2014>>

Pos	Part Number	Description	Remark	Qty	Model
		Wheel carrier Wheel hub			PR:D97
1	991 341 157 80	Wheel carrier	left	1	
(1)	991 341 158 80	Wheel carrier	right	1	
2	958 331 583 00	angular ball bearing		2	
		also use:			
		Position 3 + 7			
3	WHT 004 835	Ball screw M 12 X 1.25 X 45		8	
4	991 341 607 81	Wheel hub		2	PR:478
5	991 341 131 80	retaining bolt		2	
6	991 341 905 80	1 set attachment parts comprising: Driving pin		5	
		Fastening screw		5	
7	WHT 007 021	hex. nut, self-locking with washer M 22 X 1,5 S		2	
8	991 606 407 01	speed sensor		2	
9	900 067 117 04	Socket head bolt M 6 X 16		2	
10	991 351 801 80	Cover plate		2	
		Wheel carrier			
11	999 217 116 01	Hexagon bolt M 6 X 16		10	
12	991 351 603 82	Cover plate	left	1	
(12)	991 351 604 82	Cover plate	right	1	
14	900 378 108 01	Hexagon bolt AM 8 X 35		2	

Model: 991T13

Model life 2014>>



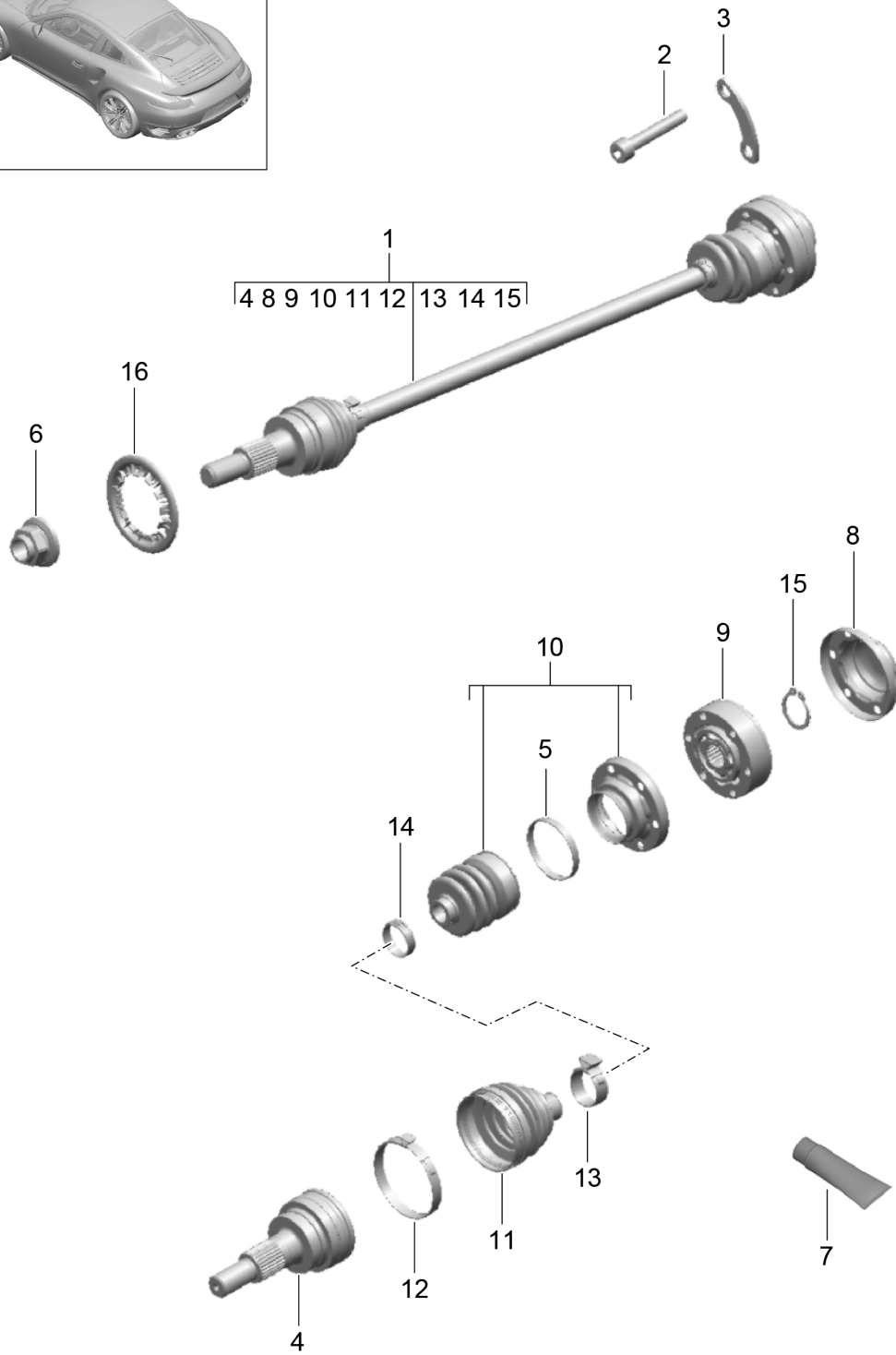
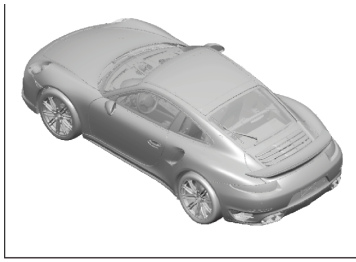
Model: 991T13

Model life 2014>>

Pos	Part Number	Description	Remark	Qty	Model
		Drive shaft D >> - MJ 2016			PR: -D97
1	991 349 038 03	Drive shaft		2	
2	900 067 073 02	Socket head bolt M8 X 45		6	
3	9P1 407 306	Spacer		6	
4	991 349 029 00	Joint		2	
5	N 908 945 01	snap ring		4	
6	999 084 135 02	Hexagon nut M 22 X 1,5		2	
7	000 043 110 02	grease 1 100-gramme tube		X	
(7)	000 043 205 36	sealant 1 100-gramme tube		X	
8	996 349 267 01	End cap		2	
9	991 349 030 01	Joint		2	
10	997 349 955 00	Bellows  with:		2	
11	991 349 291 00	Bellow support Dust bellows		4	
12	N 106 015 01	clamp		2	
13	991 349 257 00	Clip		2	
14	996 349 257 03	Clip		2	
15	900 041 011 01	Securing ring		2	
16	991 349 269 00	protective ring		2	

Model: 991T13

Model life 2014>>



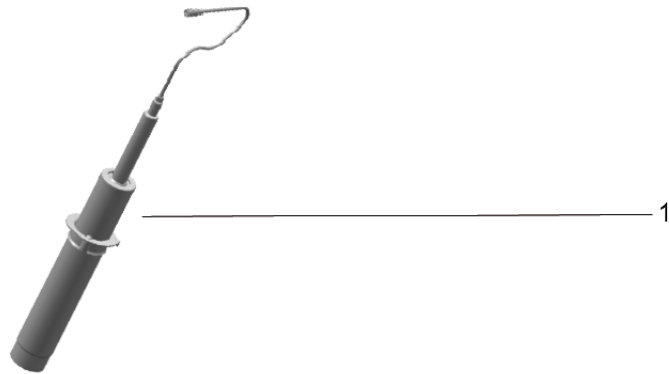
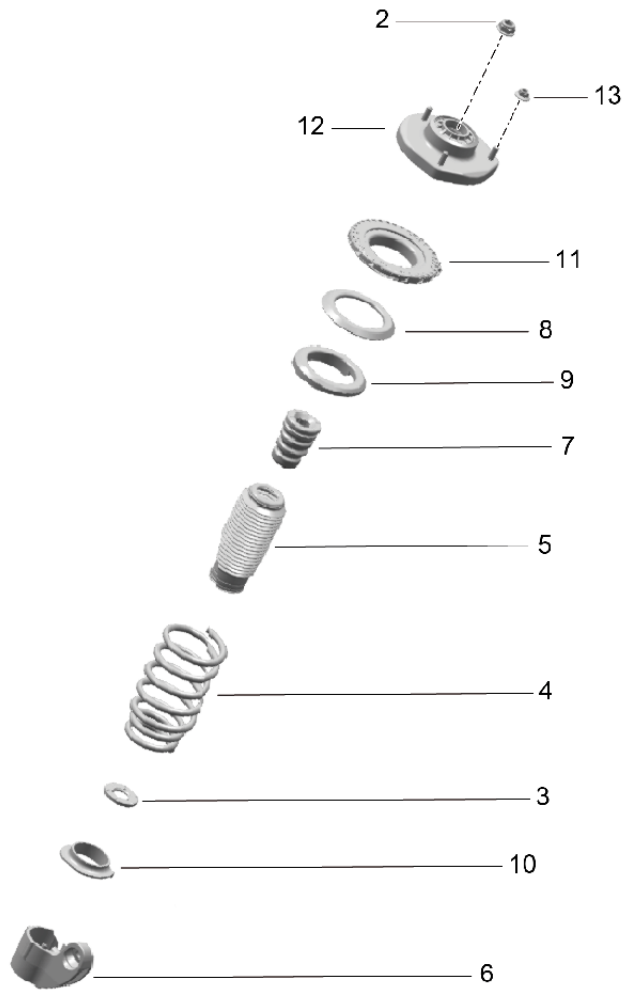
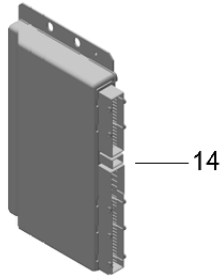
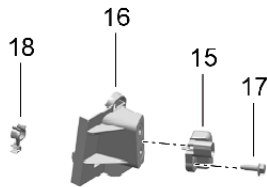
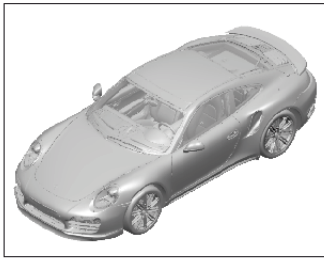
Model: 991T13

Model life 2014>>

Pos	Part Number	Description	Remark	Qty	Model
		Drive shaft			PR:-D97
		D - MJ 2017>>			
1	9P1 407 271	Drive shaft		2	
2	900 067 073 02	Socket head bolt		12	
		M 8 X 45			
3	9P1 407 306	Spacer		6	
4	991 349 029 00	Joint		2	
5	N 908 945 01	snap ring		4	
6	WHT 007 021	hex. nut, self-locking with washer		2	
		M 22 X 1,5			
7	000 043 110 02	grease		X	
		1 100-gramme tube			
(7)	000 043 205 36	sealant		X	
		1 100-gramme tube			
8	996 349 267 01	End cap		2	
9	991 349 030 01	Joint		2	
10	997 349 955 00	Bellows		2	
		with:			
		Bellow support			
11	991 349 291 00	Dust bellows		4	
12	N 106 015 01	clamp		2	
13	991 349 257 00	Clip		2	
14	9P1 407 293	Clip		2	
15	900 041 011 01	Securing ring		2	
16	991 349 269 00	protective ring		2	

Model: 991T13

Model life 2014>>



Model: 991T13

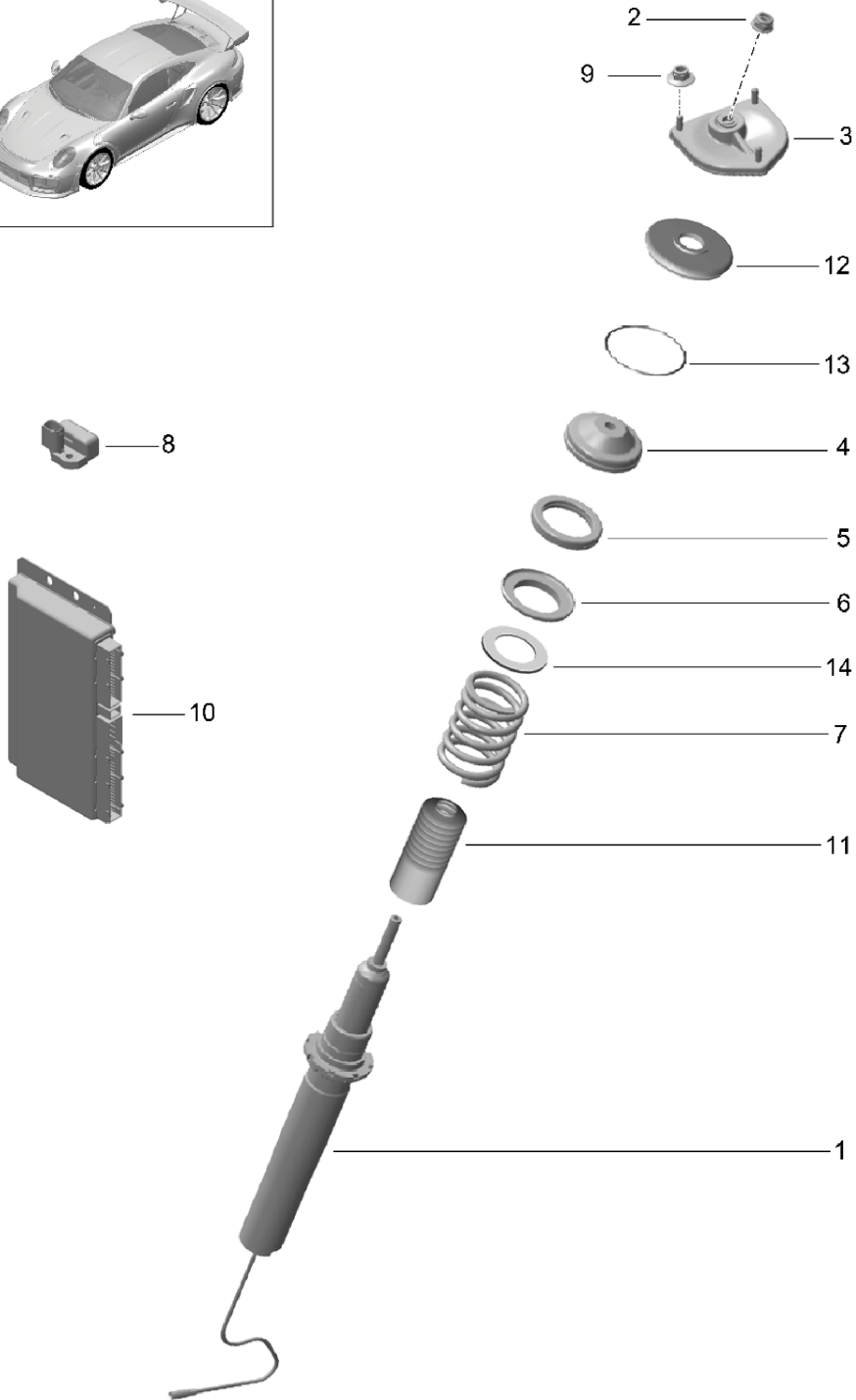
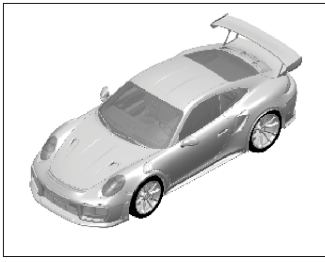
Model life 2014>>

Pos	Part Number	Description	Remark	Qty	Model
		suspension			PR:-D97
		Shock absorber strut			
		D >> - MJ 2016			
1	991 343 045 16	Shock absorbers		2	PR:352,475
2	999 084 133 01	Hexagon nut		2	PR:475
		M 14X 1,5			
3	991 343 561 01	Washer		2	
4	991 343 531 22	Coil spring		1	PR:352,475
	991 343 531 22 504	1 pair of springs			
		504			
		brown			
		pink			
5	991 343 509 02	Bellows		2	PR:475
6	991 343 081 00	Bracket	left	1	
(6)	991 343 080 00	Bracket	right	1	
7	991 343 301 03	helper spring		2	
8	991 343 513 00	compensation ring		2	PR:475
9	991 343 511 01	Underlay	upper	2	PR:475
10	991 343 525 02	shelf	lower	2	PR:475
11	991 343 501 03	Mounting		2	PR:475
12	991 343 015 02	Shock absorber bearing		2	
13	999 084 447 01	Hexagon nut		6	
		M 8			
13	PAF 003 923	Hexagon nut		6	
		M 8			
14	991 618 440 11	Control unit		1	PR:-140
(14)	991 618 450 11	Control unit		1	PR:140
15	991 606 111 00	Acceleration sensor for		3	PR:352,475
		bodywork			
16	991 606 242 00	Holder for sender unit		1	
		Accelerator sensor			
17	900 378 173 01	Hexagon bolt		1	
		M6 X 20			
18	999 507 016 40	Cable holder		1	PR:475
		4,0/ 10,0			



Model: 991T13

Model life 2014>>



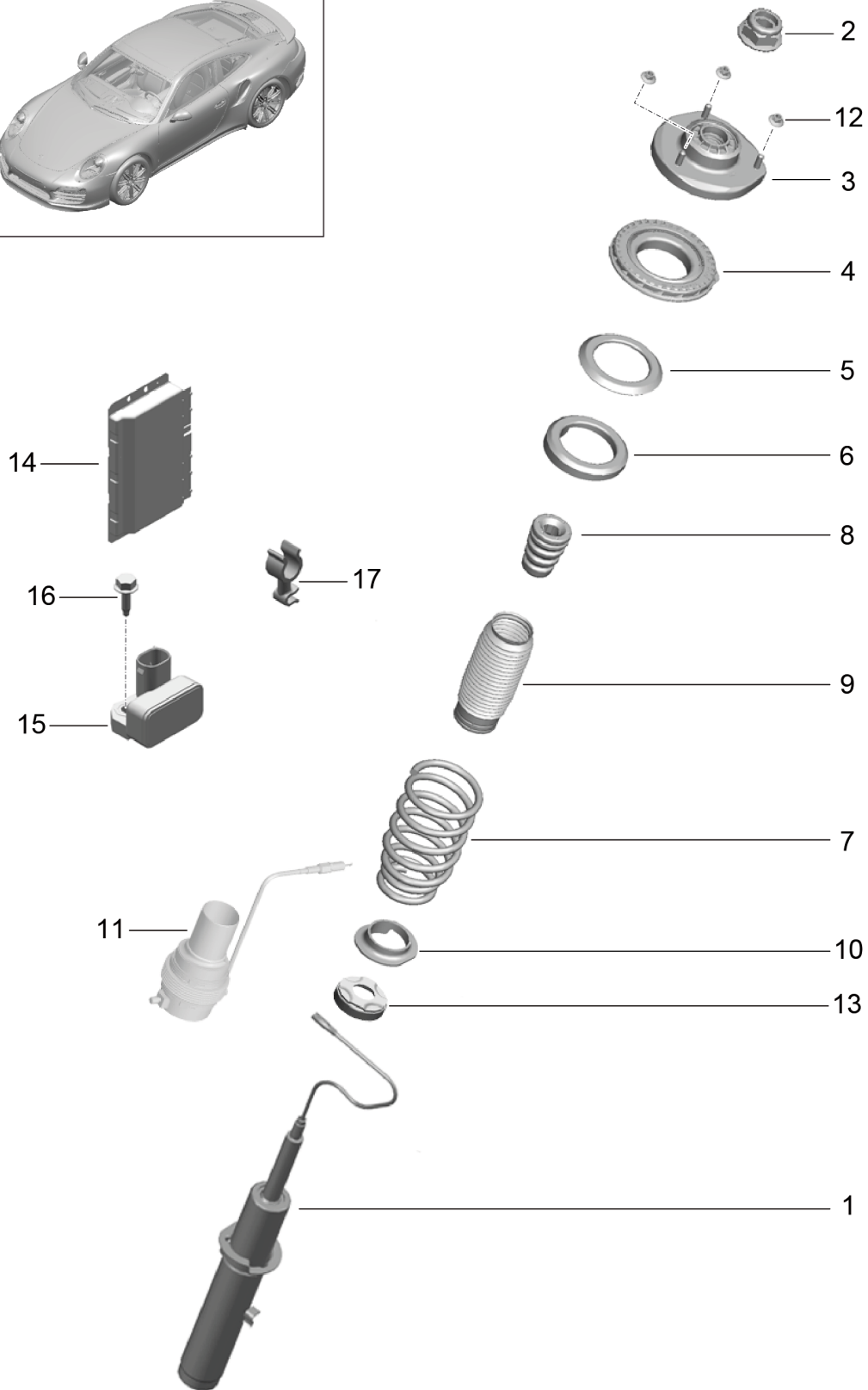
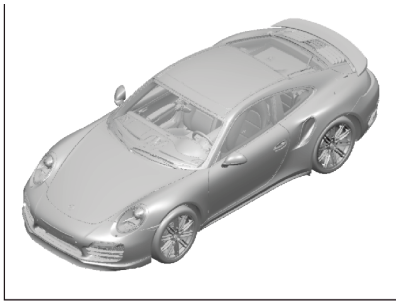
Model: 991T13

Model life 2014>>

Pos	Part Number	Description	Remark	Qty	Model
1	991 343 045 72	vibration damper		2	PR:D97
(1)	991 343 045 75	vibration damper		2	PR:-474,475
2	PAF 008 550 00	Hexagon nut M 14 X 1,5		4	PR:474,475
3	991 343 015 81	Shock absorber bearing	left	1	PR:475
(3)	991 343 016 81	Shock absorber bearing	right	1	PR:475
4	991 343 507 82	spring disc	upper	2	PR:475
5	991 343 501 81	Mounting		2	PR:475
6	991 343 517 82	shelf	lower	2	PR:475
7	991 343 531 70	Coil spring		1	PR:475
8	991 343 531 70 504	Coil spring			
8	991 606 111 00	Acceleration sensor for bodywork		3	PR:475
9	999 084 447 01	Hexagon nut M 8		6	
9	PAF 003 923	Hexagon nut M 8		6	
10	991 618 450 53	Control unit		1	PR:140,475
11	997 343 567 90	protective pipe		2	PR:475
12	964 343 186 80	sealing cap		2	PR:475
13	964 343 188 80	retaining spring		2	PR:475
14	991 343 518 80	shelf	lower	2	

Model: 991T13

Model life 2014>>



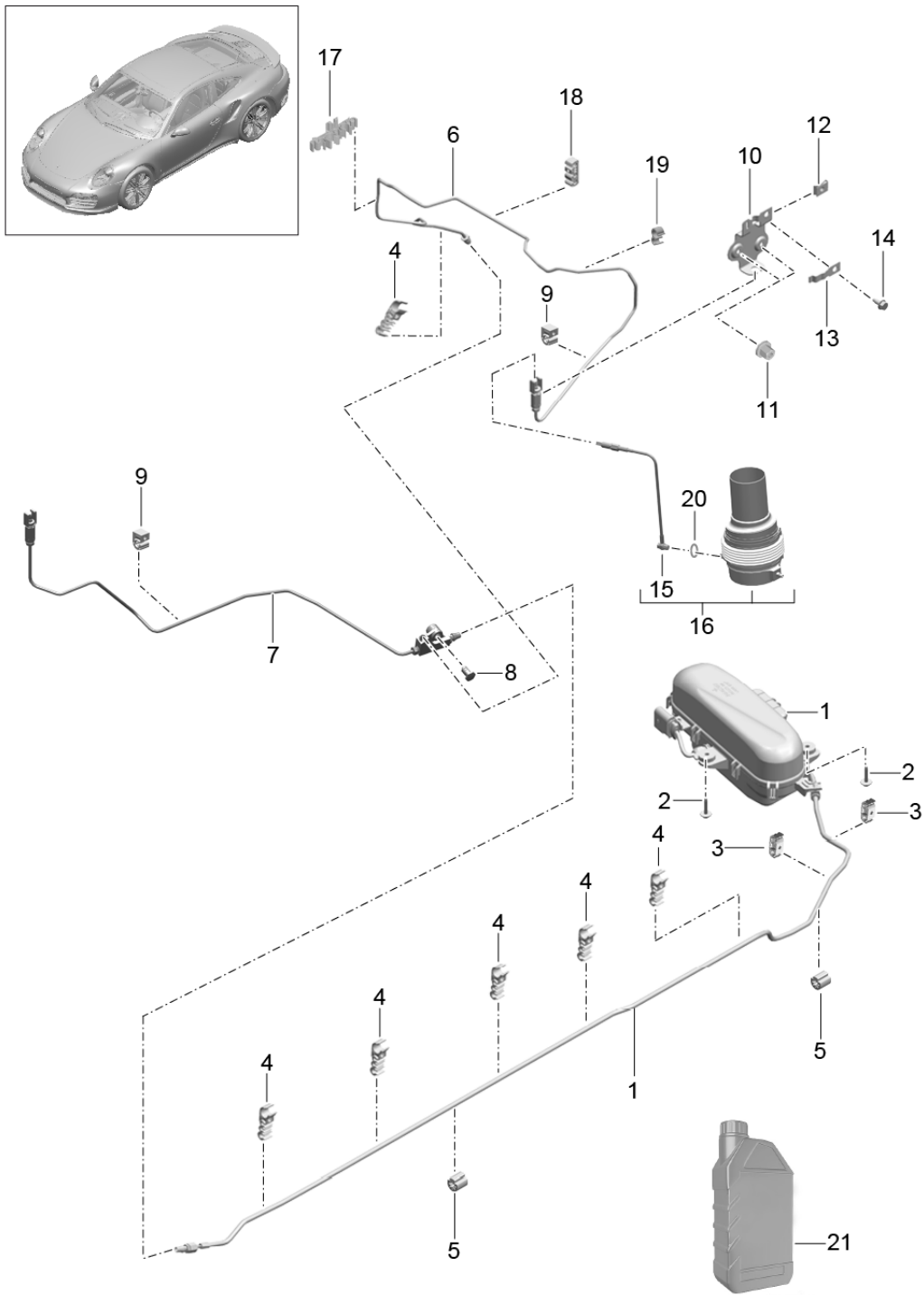
Model: 991T13

Model life 2014>>

Pos	Part Number	Description	Remark	Qty	Model
		suspension			PR: -D97
		Shock absorber strut			
		D - MJ 2017>>			
1	991 343 045 37	Shock absorbers		2	PR: 352,475, -474
(1)	991 343 045 38	Shock absorbers		2	PR: 352,475, 474
2	999 084 133 01	Hexagon nut M 14 X 1,5		2	
3	991 343 015 02	Shock absorber bearing		2	
4	991 343 501 03	Mounting		2	
5	991 343 513 00	compensation ring		2	PR: 352,475
6	991 343 511 01	Underlay	upper	2	
7	991 343 531 22	Coil spring		1	PR: 352,475
	991 343 531 22 504	1 pair of springs Identification: >> >> brown pink			
8	991 343 301 03	helper spring		2	PR: 352,475, 477
9	991 343 509 02	Bellows		2	PR: 352,475
10	991 343 525 02	shelf	lower	2	PR: 352,475, -474
(10)	9P1 412 103	spring disc	lower	2	PR: 474
11		Level adjustment see illustration:	402-003		PR: 474
12	999 084 447 01	Hexagon nut		6	
12	PAF 003 923	Hexagon nut		6	
13	991 343 661 01	stop cap		2	
14	991 618 440 24	Control unit		1	PR: 352,475
(14)	991 618 450 24	Control unit		1	PR: 140,352, 475
15	991 606 111 00	Acceleration sensor for bodywork		3	PR: 352,475
16	900 378 173 01	Hexagon bolt M 6 X 20		3	PR: 352,475
17	999 507 016 40	Cable holder 4,0 / 10,0		1	PR: 475

Model: 991T13

Model life 2014>>



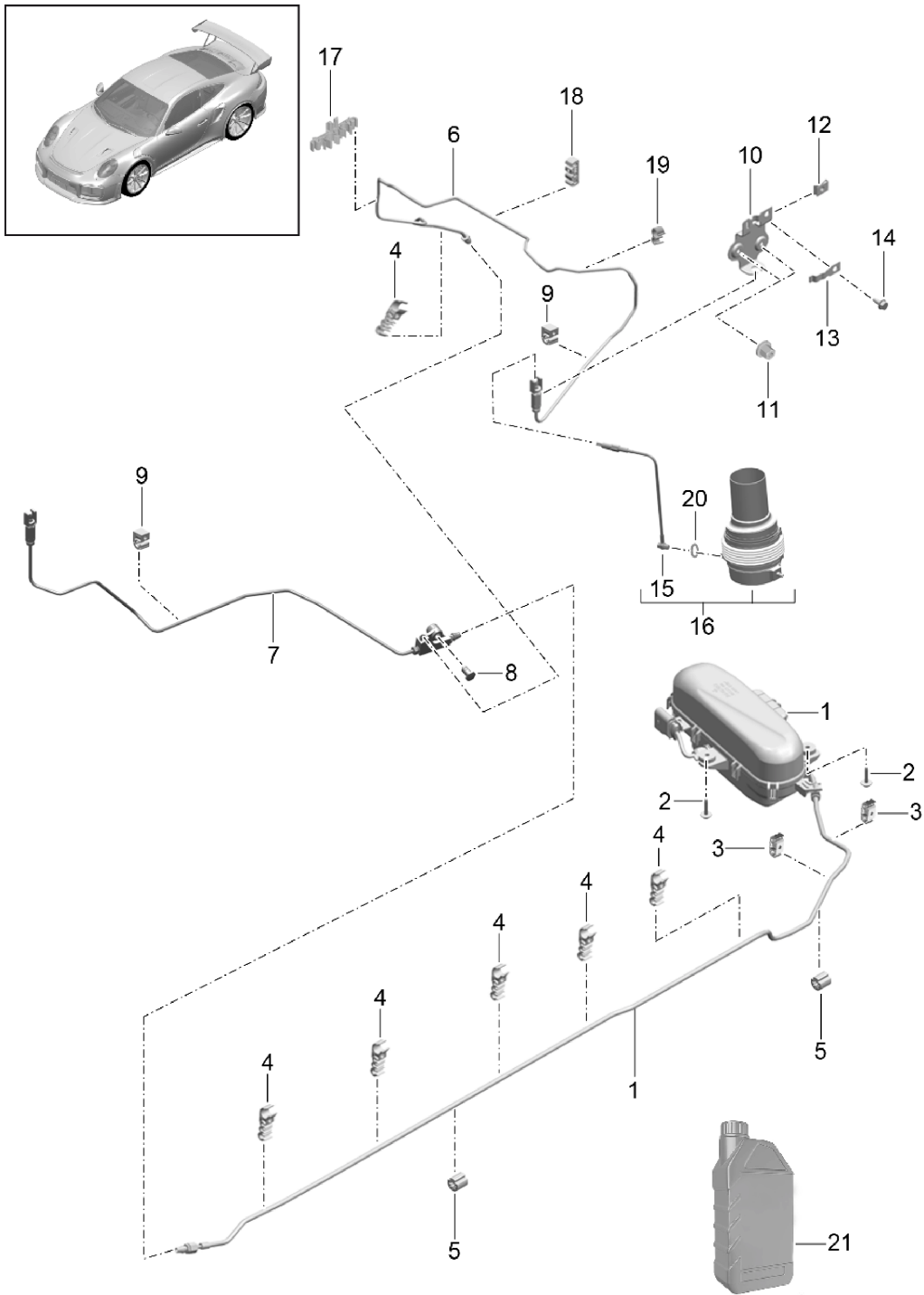
Model: 991T13

Model life 2014>>

Pos	Part Number	Description	Remark	Qty	Model
		Level adjustment D - MJ 2017>>			PR:474,-D97
1	9P1 412 257 A	Pump		1	
2	999 143 012 01	Level adjustment Hexagon bolt M 6 X 30		3	
3	8E0 611 797 D	Bracket		2	
4	991 355 512 11	Bracket		6	
5	N 107 224 01	Distance piece		2	
6	991 343 175 04	Pressure line	front	1	
			left		
7	991 343 176 04	Pressure line	front	1	
			right		
		with:			
		Connecting piece for Connection point			
8	999 049 036 40	Plastic nut M 6		1	
9	95B 611 797	Clip		2	
10	991 343 815 01	Bracket	left	1	
(10)	991 343 816 01	Bracket	right	1	
11	999 049 033 40	Plastic nut T6 / 16,0		4	
12	N 901 686 07	Speed nut M 6		2	
13	991 343 817 00	Bracket		2	
14	900 378 155 01	Hexagon bolt M 6 X 16		2	
15	9P1 412 517	Pressure line		1	
(15)	9P1 411 813	D >> - 09.12.2016 Hose		1	
16	9P1 412 179 B	D - 10.12.2016>> Governor Hydraulic		2	
(16)	9P1 412 179 C	D >> - 09.12.2016 Governor Hydraulic		2	
17	991 355 507 60	D - 10.12.2016>> Bracket		1	
18	8K0 611 797 G	Brake line bracket		1	
19	999 507 567 40	Cable holder 7,00 - 9,00		1	PR:487
20	N 013 830 2	seal ring Copper 8 X 12		2	
21	000 043 204 89	Oil		1	

Model: 991T13

Model life 2014>>



Model: 991T13

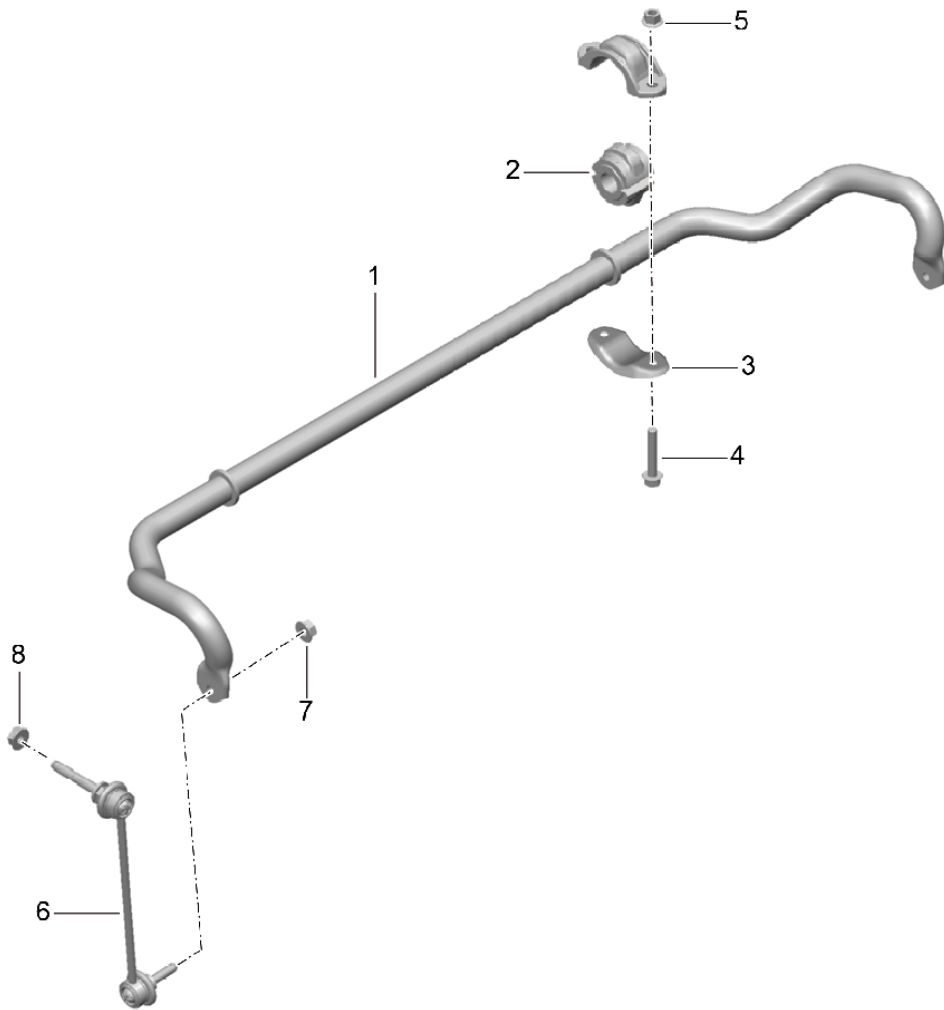
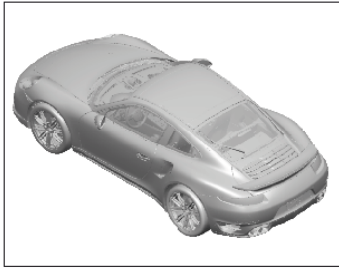
Model life 2014>>

Pos	Part Number	Description	Remark	Qty	Model
1	9P1 412 257 C	Level adjustment Pump		1	PR:D97,474 PR:474
2	9A7 008 352 00	Level adjustment Hexagon bolt M 6 X 30		3	
3	8E0 611 797 D	Bracket		2	
4	991 355 512 11	Bracket		6	
5	N 107 224 01	Distance piece		2	
6	991 343 175 04	Pressure line	left	1	
7	991 343 176 04	Pressure line	right	1	
		with:			
		Connecting piece for Connection point			
8	9A7 008 796 00	Plastic nut M 6		1	
9	95B 611 797	Clip		2	
11	999 049 033 40	Plastic nut T6 / 16,0		4	
12	N 901 686 07	Speed nut M 6		2	
13	991 343 817 00	Bracket		2	
14	900 378 155 01	Hexagon bolt M 6 X 16		2	
17	991 355 507 60	Bracket		1	
18	8K0 611 797 G	Brake line bracket		1	



Model: 991T13

Model life 2014>>



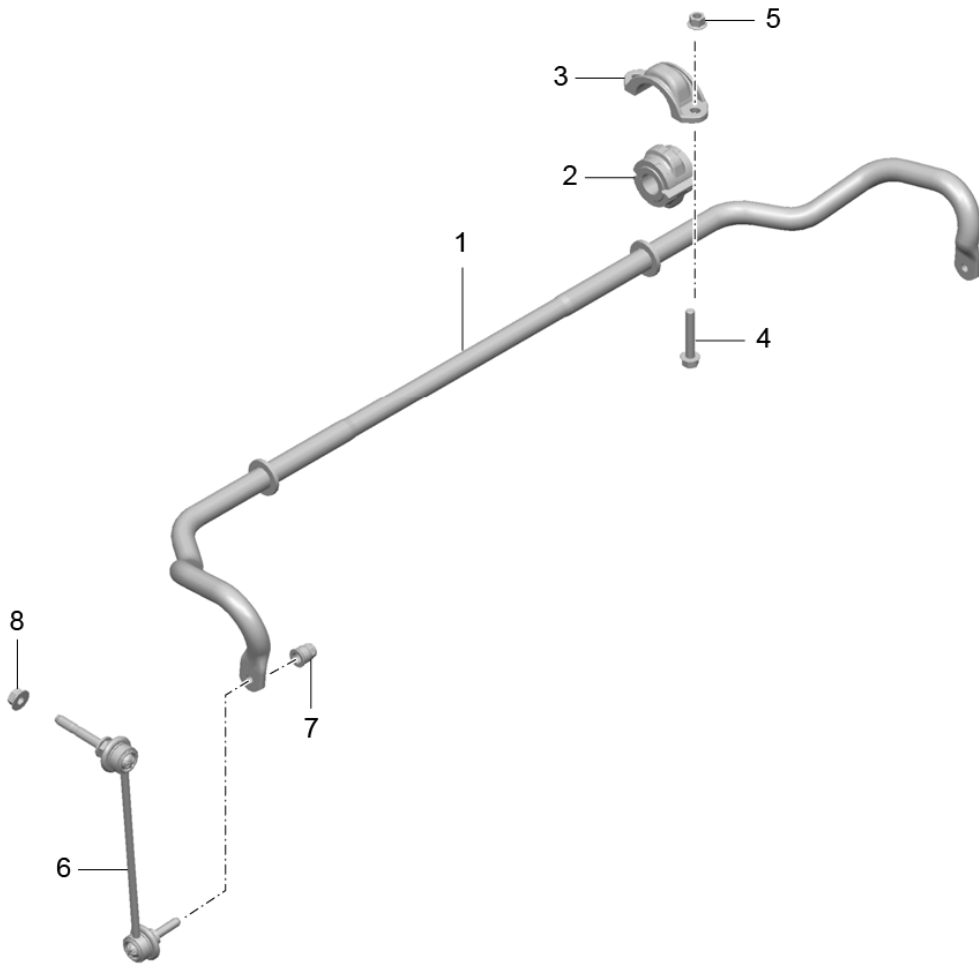
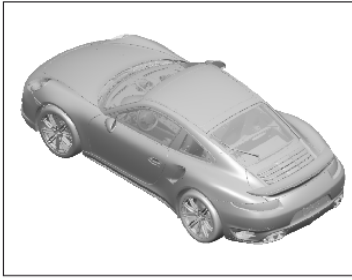
Model: 991T13

Model life 2014>>

Pos	Part Number	Description	Remark	Qty	Model
		Anti-roll bar D >> - MJ 2016			PR:475,-D97
1	991 343 705 15	Anti-roll bar		1	PR:221,250, 475
(1)	991 343 705 16	Anti-roll bar		1	PR:221,250, 475
2	991 343 792 08	anti-roll bar bearing bracket		2	PR:221,250, 475
(2)	991 343 792 09	anti-roll bar bearing bracket		2	PR:221,250, 475
3	991 343 777 00	Clamp		2	
4	999 072 836 01	Hexagon bolt AM 10 X 60		4	
5	900 380 008 01	Hexagon nut M 10		4	
6	991 343 069 02	Coupling rod	left	1	PR:475
(6)	991 343 070 02	Coupling rod	right	1	PR:475
7	999 084 123 09	Hexagon nut M 10	lower	2	PR:475
8	999 084 445 01	Locknut M 12	upper	2	

Model: 991T13

Model life 2014>>



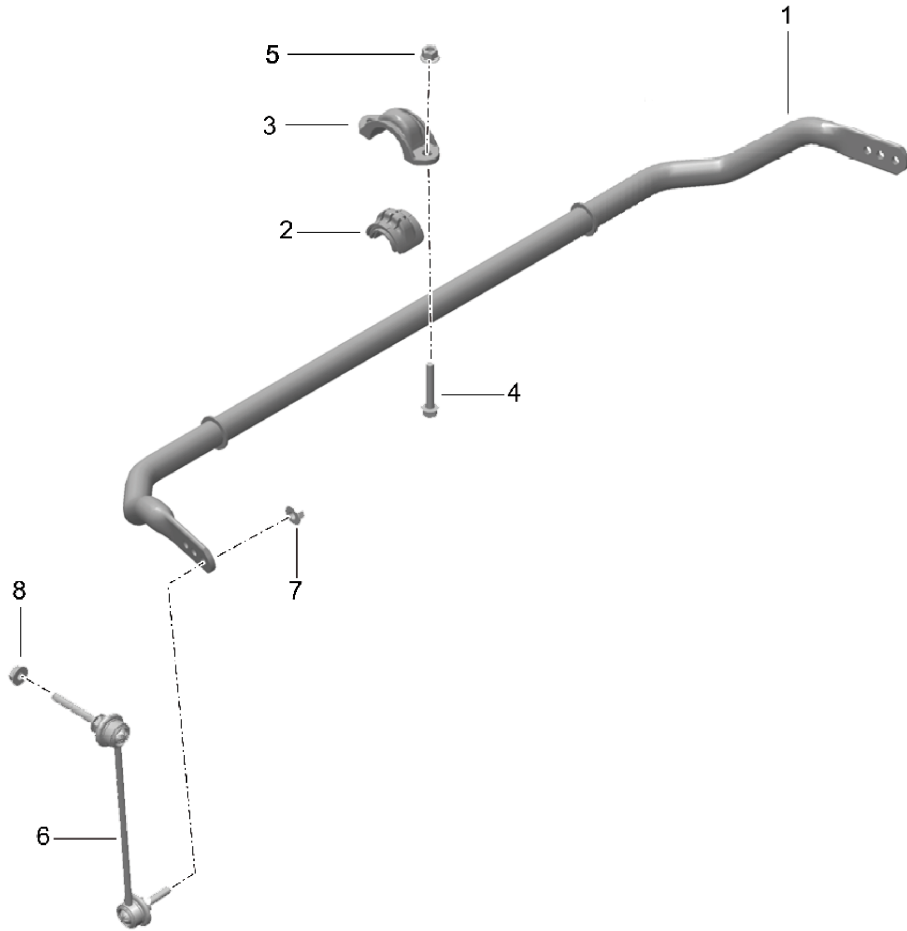
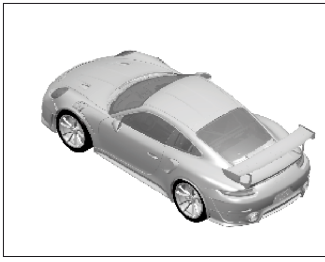
Model: 991T13

Model life 2014>>

Pos	Part Number	Description	Remark	Qty	Model
		Anti-roll bar D - MJ 2017>>			PR: -D97
1	991 343 705 15	Anti-roll bar Identification: >> >> pink		1	PR: 221, 250, 475
2	991 343 792 08	anti-roll bar bearing bracket		2	PR: 221, 250, 475
3	991 343 777 00	Clamp		2	
4	999 072 836 01	Hexagon bolt AM 10 X 60		4	
5	900 380 008 01	Hexagon nut M 10		4	
6	991 343 069 02	Coupling rod	left	1	PR: 475
(6)	991 343 070 02	Coupling rod	right	1	PR: 475
7	999 084 123 09	Hexagon nut M 10	lower	2	PR: 475
8	999 084 445 01	Locknut M 12 X 1,5	upper	2	

Model: 991T13

Model life 2014>>



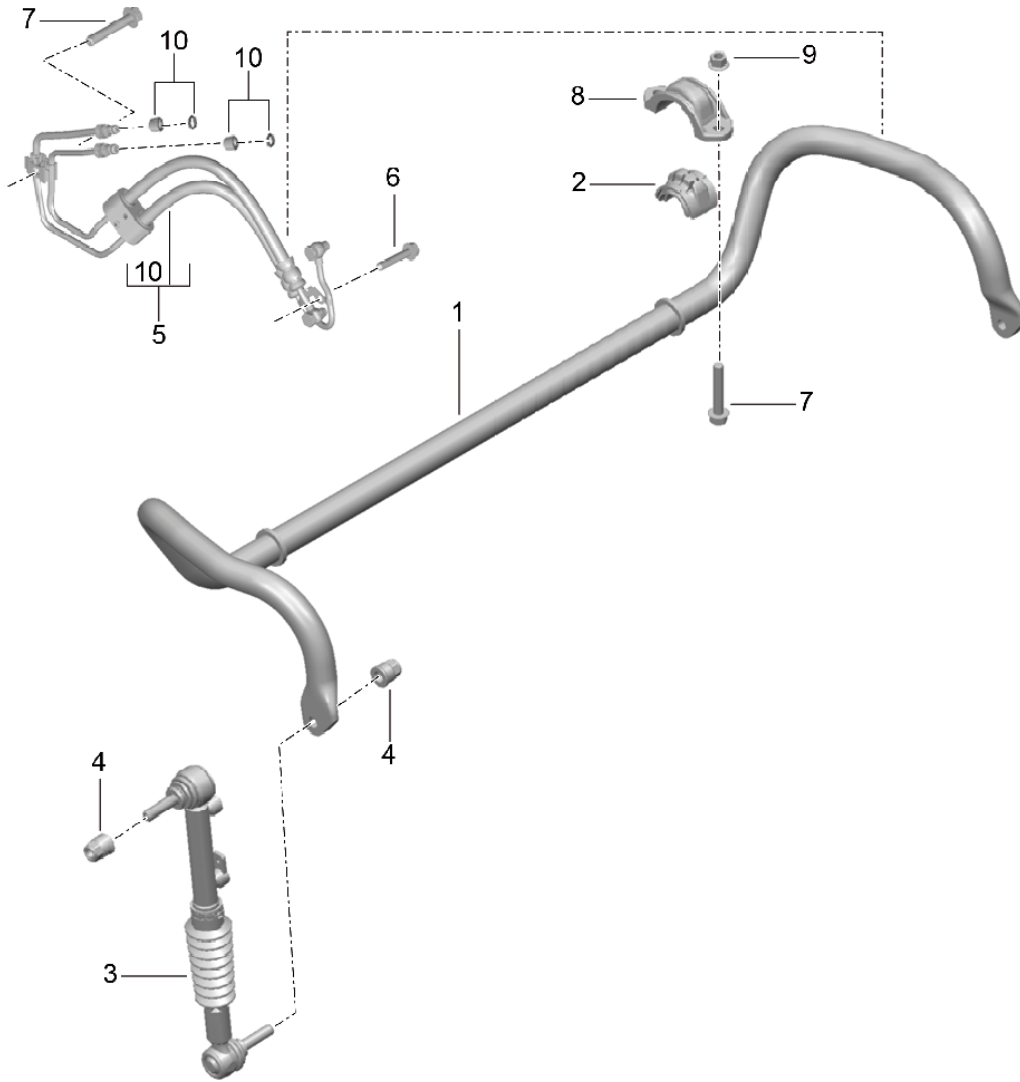
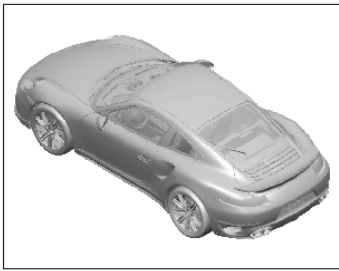
Model: 991T13

Model life 2014>>

Pos	Part Number	Description	Remark	Qty	Model
1	9P1 411 309 B	Anti-roll bar		1	PR:D97
(1)	991 343 701 81	Anti-roll bar		1	PR:808
2	991 343 793 02	Anti-roll bar		1	PR:-808
3	991 343 777 00	anti-roll bar bearing bracket		4	
4	N 106 996 01	Clamp		2	
(4)	999 072 836 01	bolt,hex.hd.with shoul.(combi)	M10X60	4	PR:808
5	N 912 679 02	Hexagon bolt	AM 10X60	4	PR:-808
6	991 343 069 80	Hexagon nut	M10	4	
(6)	9P1 411 315	Coupling rod		2	PR:-808
7	999 084 123 09	Coupling rod		2	PR:808
7	WHT 007 957	Hexagon nut	M10	2	PR:-808
(7)	N 912 679 02	discontinued part		2	PR:808
8	999 084 445 01	hex. nut	M10	2	
		Locknut	M12X1,5	2	

Model: 991T13

Model life 2014>>



Model: 991T13

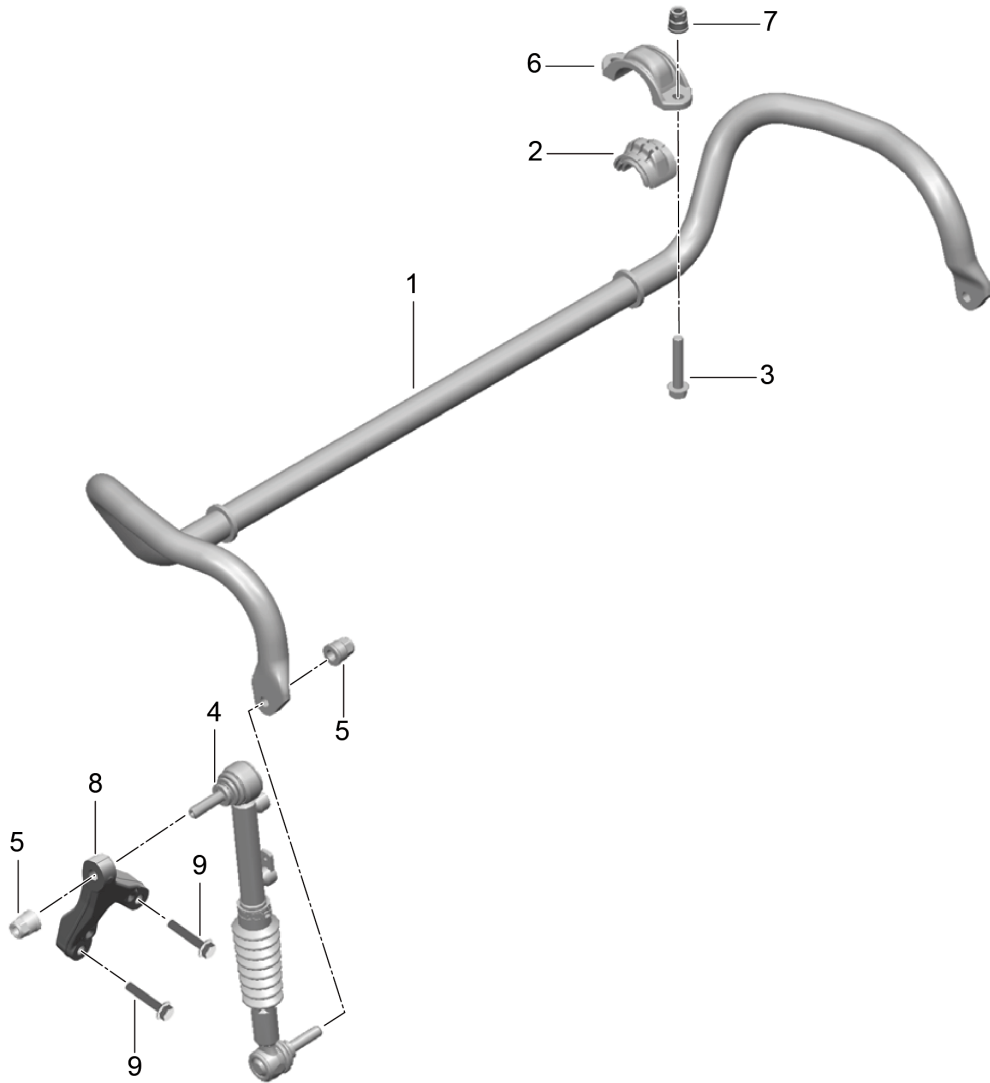
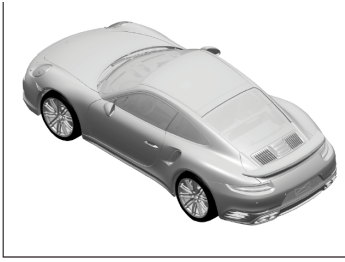
Model life 2014>>

Pos	Part Number	Description	Remark	Qty	Model
		Anti-roll bar PDCC D >> - MJ 2016			PR:352,-D97
1	991 343 703 10	Anti-roll bar		1	
2	991 343 793 02	anti-roll bar bearing bracket		2	
3	991 359 083 03	Damper D >> - MJ 2015		2	
(3)	991 359 083 04	Damper D - MJ 2016>>		2	
4	999 084 132 01	Hexagon nut M12		4	
5	991 359 158 03	Line harness		2	
6	999 072 851 01	Hexagon bolt M12 X 1,5 X 70		2	
7	N 107 069 01	Hex collared bolt M 10 X 55		4	
8	991 343 777 00	Clamp		2	
9	900 380 008 01	Hexagon nut M 10		4	
10	997 347 945 00	repair set comprising: Spring O-ring		X	



Model: 991T13

Model life 2014>>



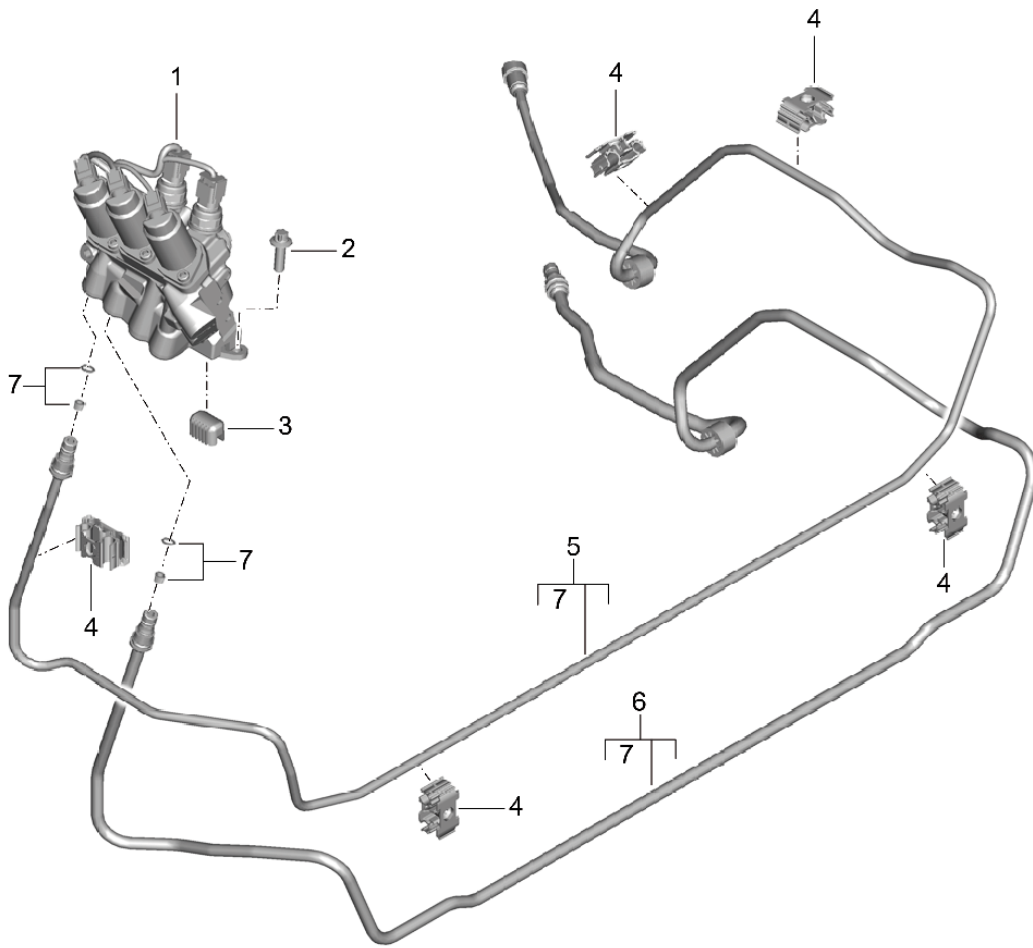
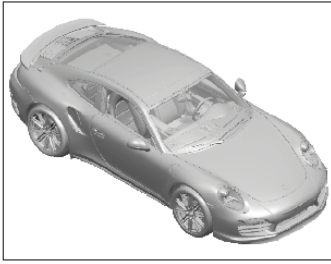
Model: 991T13

Model life 2014>>

Pos	Part Number	Description	Remark	Qty	Model
		Anti-roll bar PDCC D - MJ 2017>>			PR:031,352, -D97
1	991 343 703 10	Anti-roll bar		1	
2	991 343 793 02	anti-roll bar bearing bracket		2	
3	999 072 836 01	Hexagon bolt M 10 X 60		4	
4	991 359 083 04	Damper		2	
5	999 084 132 01	Hexagon nut M 12		4	
6	991 343 777 00	Clamp		2	
7	900 380 008 01	Hexagon nut M 10		4	
8	991 341 359 00	Adapter Damper	left	1	
(8)	991 341 360 00	Adapter Damper	right	1	
9	900 378 076 01	Hexagon bolt M 10 X 50		4	

Model: 991T13

Model life 2014>>



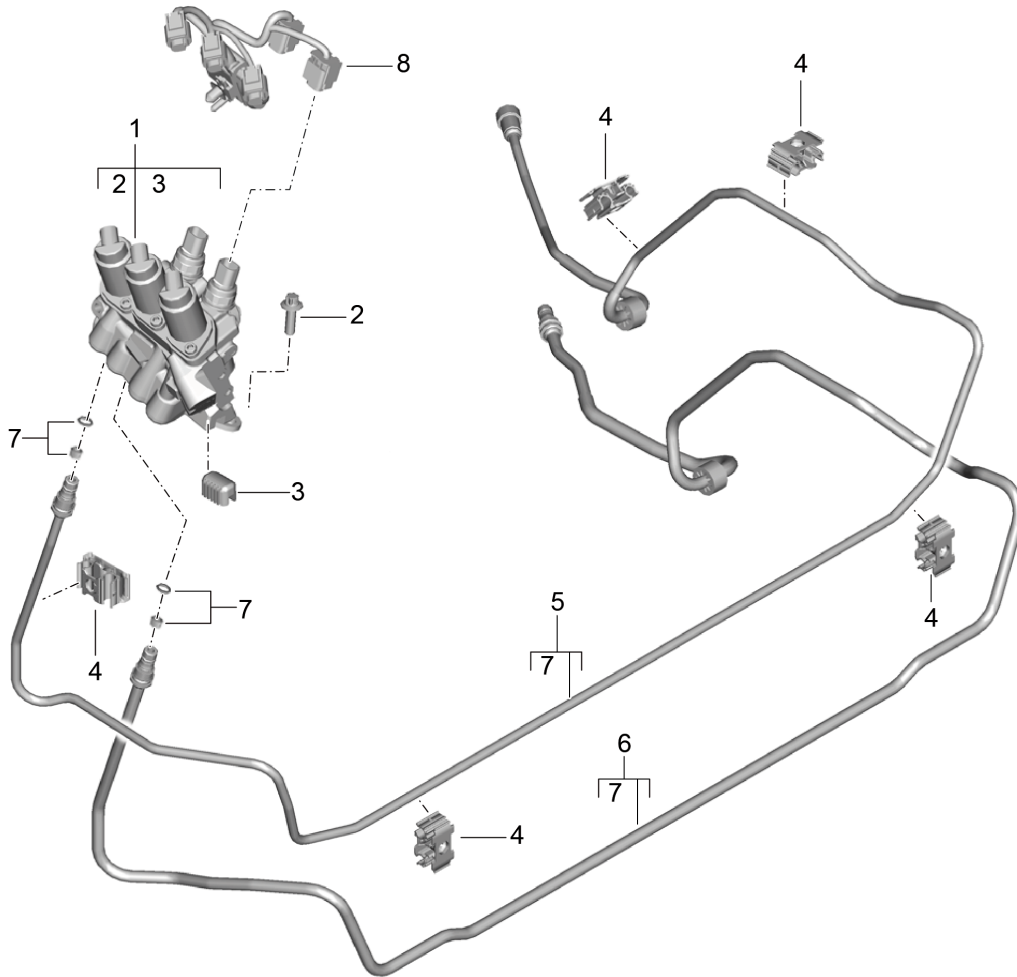
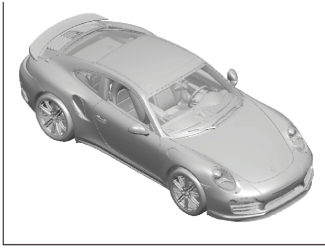
Model: 991T13

Model life 2014>>

Pos	Part Number	Description	Remark	Qty	Model
		Lines Valve block Front end PDCC D >> - MJ 2016			PR:352,-D97
1	991 359 075 02	Valve block No longer use the part here		1	
(1)	991 359 075 03	Valve block		1	
-	991 609 898 00	Wire set		1	
2	900 385 098 09	Valve block Screw M 8 X 25		4	
3	991 359 375 00	Rubber bush		2	
4	999 507 162 40	Cable holder 8,0/10,0		9	
5	991 359 221 02	Pressure line		1	
6	991 359 223 02	return line		1	
7	997 347 945 00	repair set comprising: Spring O-ring		X	

Model: 991T13

Model life 2014>>



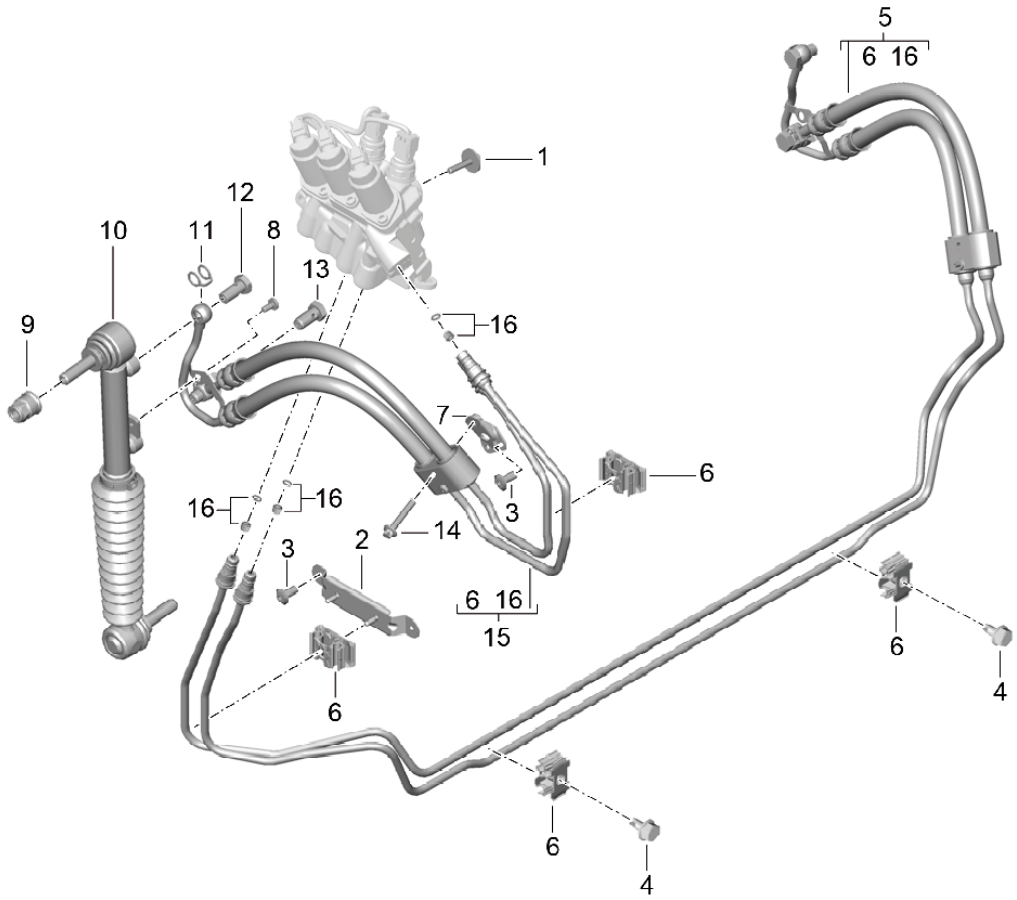
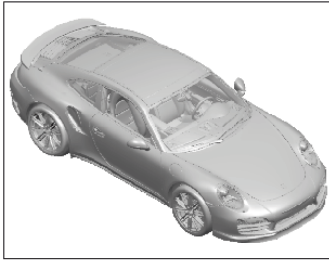
Model: 991T13

Model life 2014>>

Pos	Part Number	Description	Remark	Qty	Model
		Lines Valve block Front end PDCC D - MJ 2017>>			PR:031,352, -D97
1	991 359 075 04	Valve block		1	
2	900 378 180 01	Hexagon bolt AM 8 X 25		2	
3	991 359 375 00	Rubber bush		2	
4	999 507 162 40	Cable holder 8,0/10,0		5	
5	991 359 221 02	Pressure line		1	
6	991 359 223 02	return line		1	
7	997 347 945 00	repair set comprising: Spring O-ring		X	
8	991 609 898 00	Wire set Valve block		1	

Model: 991T13

Model life 2014>>



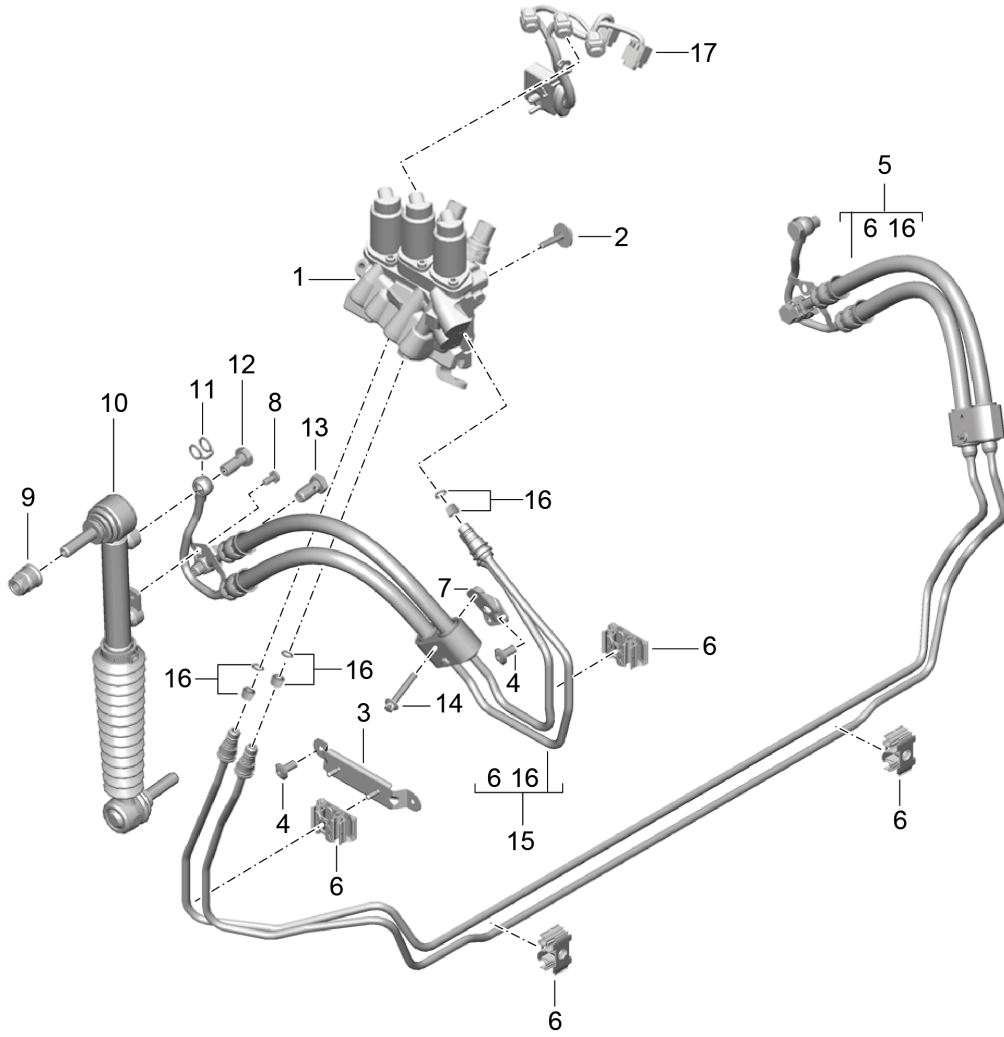
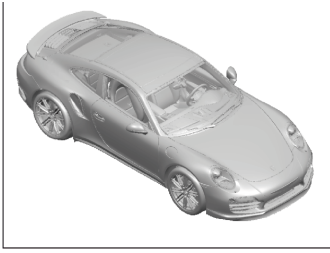
Model: 991T13 Model life 2014>>

Pos	Part Number	Description	Remark	Qty	Model
		Lines Front end Damper PDCC D >> - MJ 2016			PR: 352,-D97
1	900 378 318 01	Bolt with washer M 6 X 30		1	
2	991 359 273 02	Bracket Version with:		1	
3	900 333 016 30	Screw Pop rivet A 5,0 X 10,0		4	
4	900 378 169 01	Hexagon bolt M 6 X 12		2	
5	991 359 157 27	Line harness		1	
6	999 507 907 40	Cable holder 8,0/8,0		4	
7	991 359 275 03	Bracket		2	
8	999 073 189 01	flat round head bolt M 6 X 12		2	
9	999 084 132 01	Hexagon nut M 12 X 1,5		4	
10	991 359 083 03	Damper D >> - MJ 2015		2	
(10)	991 359 083 04	Damper D - MJ 2016>>		2	
11	991 359 361 01	Sealing plate		4	
12	900 175 020 03	Banjo bolt 8		2	
13	991 359 359 00	Banjo bolt with:		2	
14	900 385 045 01	Non-return valve Torx screw BM 6 X40		2	
15	991 359 158 03	Line harness		1	
16	997 347 945 00	repair set -PENTOSIN-		X	



Model: 991T13

Model life 2014>>



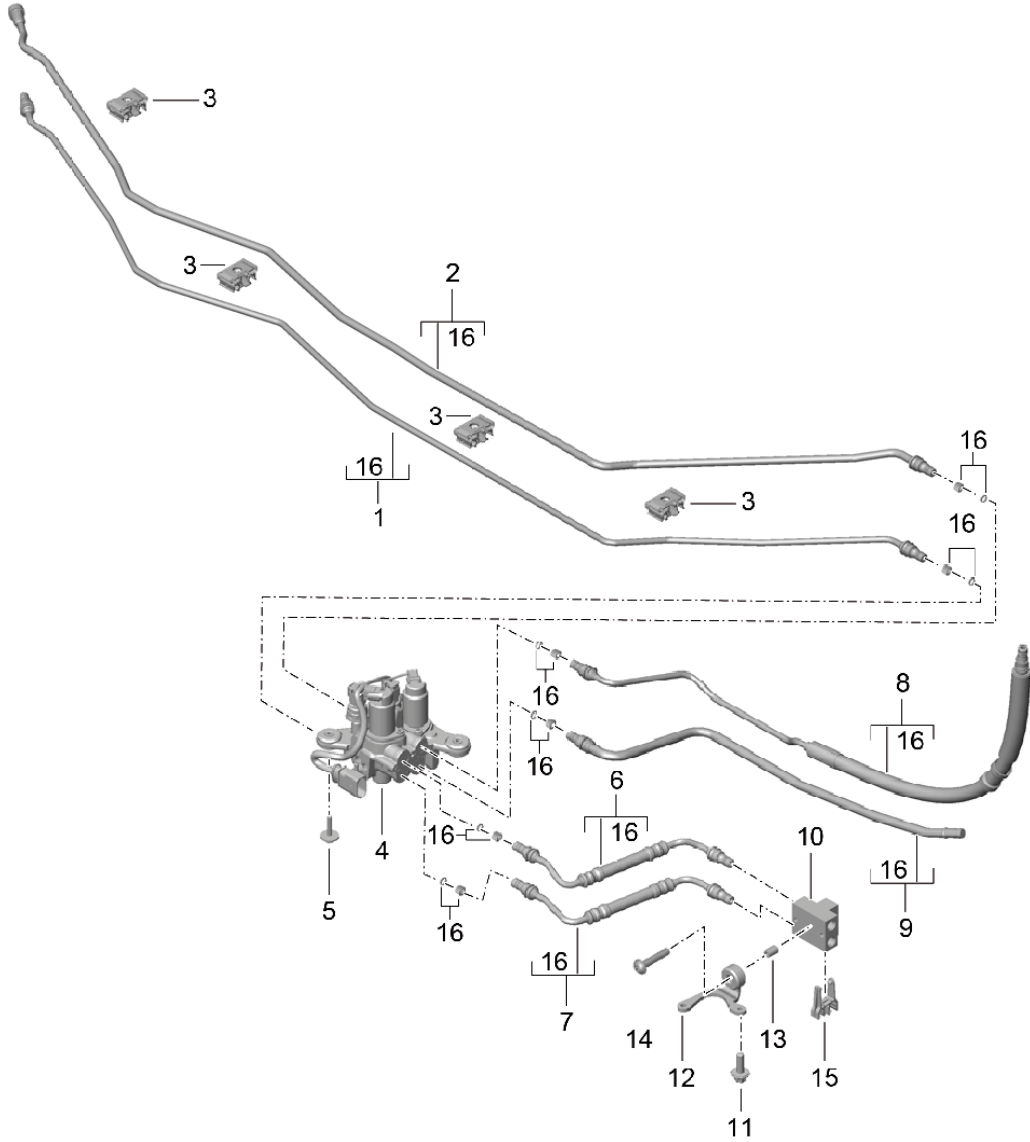
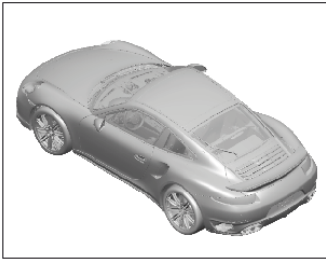
Model: 991T13

Model life 2014>>

Pos	Part Number	Description	Remark	Qty	Model
		Lines Front end Damper PDCC D - MJ 2017>>			PR:031,352, -D97
1	991 359 075 04	Valve block		1	
2	900 378 318 01	Bolt with washer M 6 X 30		1	
3	991 359 273 02	Bracket		1	
4	900 378 169 01	Hexagon bolt M 6 X 12		2	
5	991 359 157 27	Line harness		1	
6	999 507 907 40	Cable holder 8,0/8,0		4	
7	991 359 275 03	Bracket		2	
8	999 073 189 01	flat round head bolt M 6 X 12		2	
9	999 084 132 01	Hexagon nut M 12 X 1,5		4	
10	991 359 083 04	Damper		2	
11	991 359 361 01	Sealing plate		4	
12	900 175 020 03	Banjo bolt 8		2	
13	991 359 359 00	Banjo bolt		2	
		with:			
14	900 385 045 01	Non-return valve Torx screw BM 6 X 40		2	
(14)	9A7 008 130 00	D >> - 19.03.2017 Torx screw BM 6 X 40		2	
15	991 359 158 03	D - 20.03.2017>> Line harness		1	
16	997 347 945 00	repair set comprising: Spring O-ring		X	
17	991 609 898 00	Wire set Valve block	front	1	

Model: 991T13

Model life 2014>>



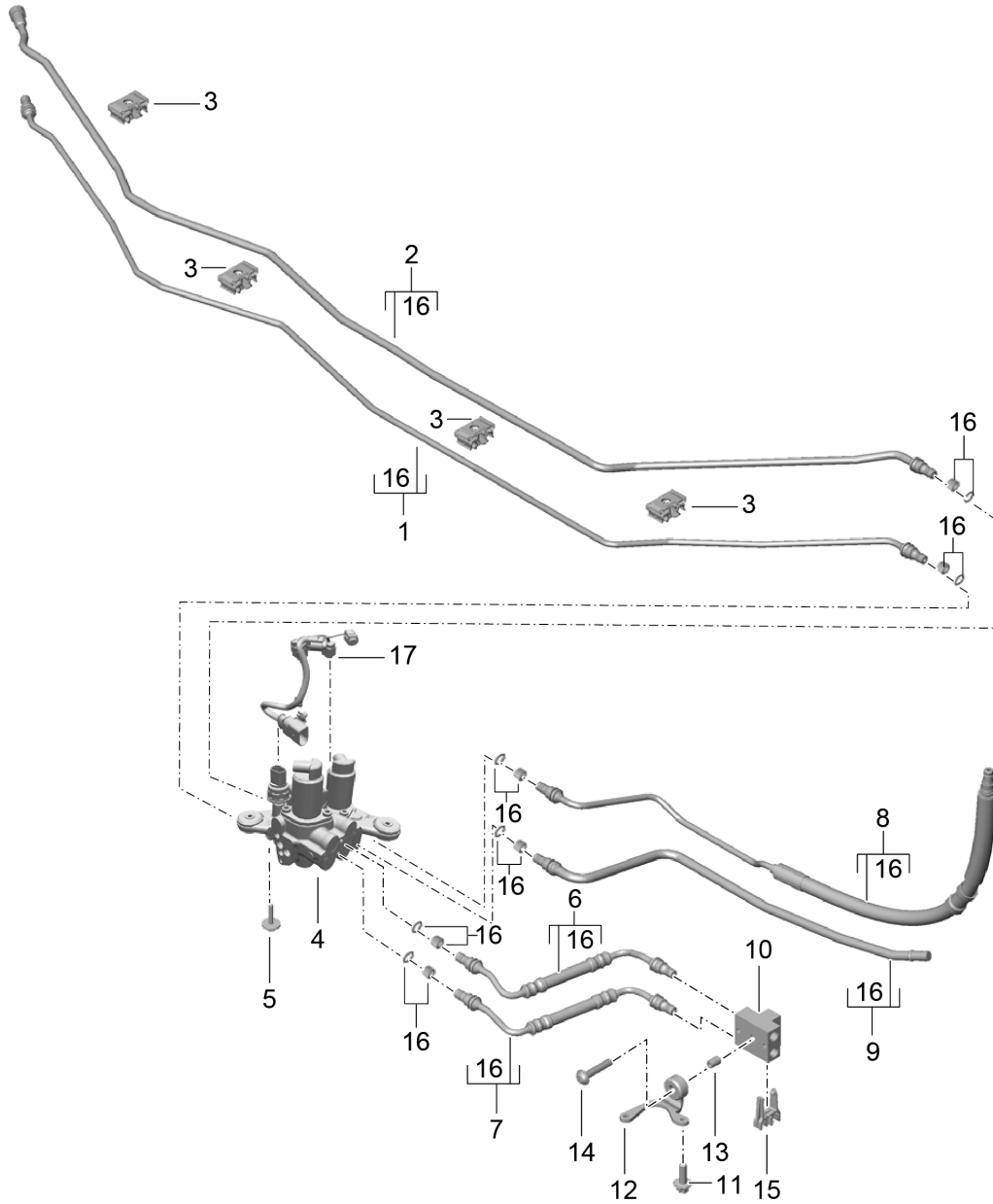
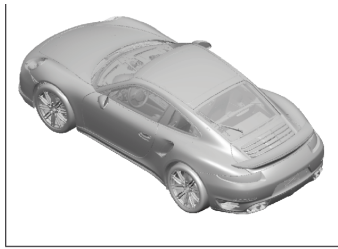
Model: 991T13

Model life 2014>>

Pos	Part Number	Description	Remark	Qty	Model
		Lines Underbody PDCC D >> - MJ 2016	center		PR:352,-D97
1	991 359 261 01	Pressure line		1	
2	991 359 263 02	return line		1	
3	999 507 162 40	Cable holder 8,0/10,0		9	
4	991 359 077 02	Valve block Discontinued part	rear	1	
(4)	991 359 077 03	Valve block	rear	1	
-	991 609 899 00	Wire set		1	
5	900 378 318 01	Valve block Bolt with washer M 6 X 30		1	
6	991 359 255 03	Pressure line		1	
7	991 359 253 03	Pressure line		1	
8	991 359 237 03	Pressure line		1	
9	991 359 225 02	return line		1	
10	991 359 179 01	t-piece		1	
11	900 385 009 09	Torx screw BM 6 X 16		2	
12	991 359 279 02	Bracket		1	
13	991 359 287 00	bush		1	
14	999 073 417 01	fillister hd. bolt		1	
15	991 359 289 02	Bracket		2	
16	997 347 945 00	repair set comprising: Spring O-ring		X	

Model: 991T13

Model life 2014>>



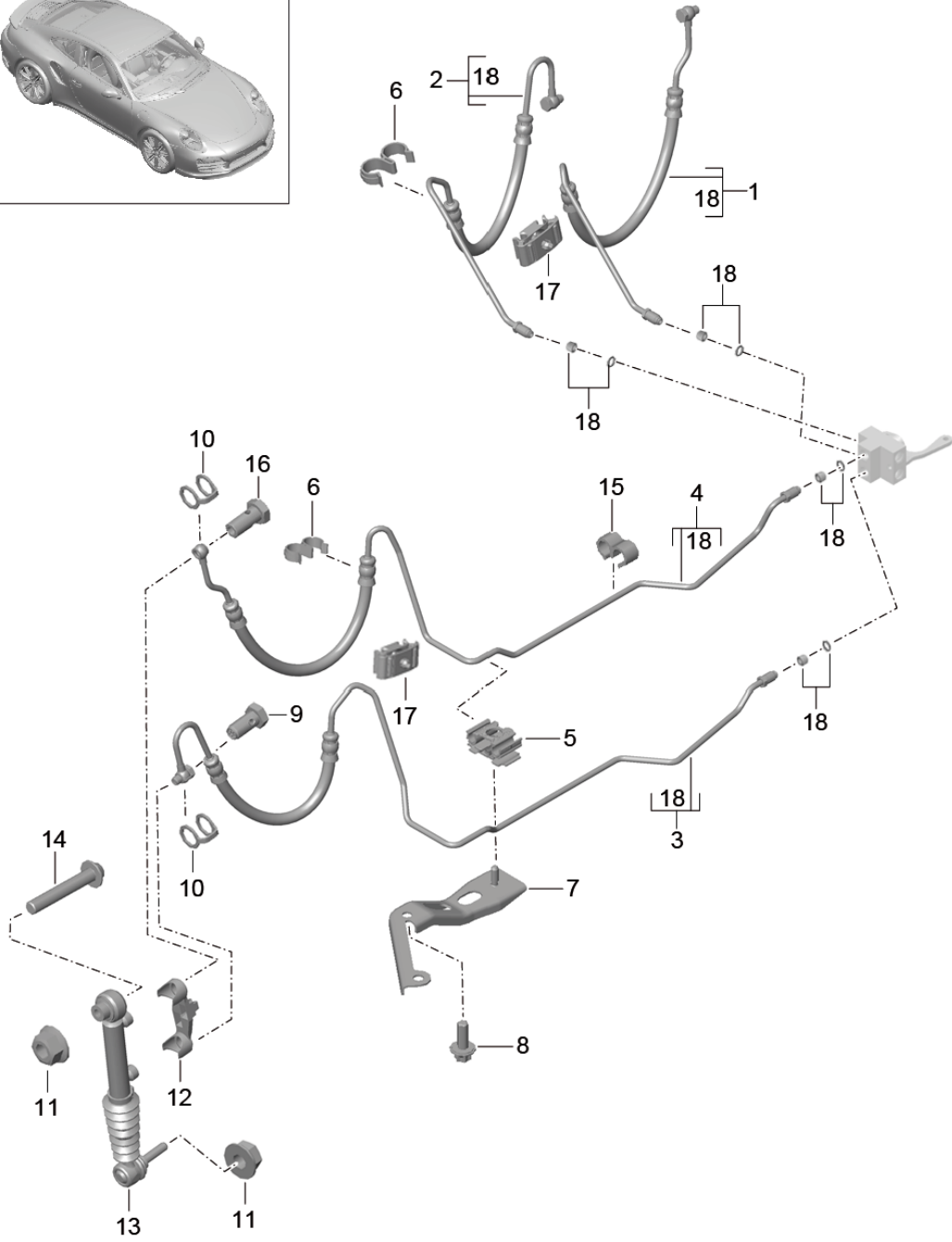
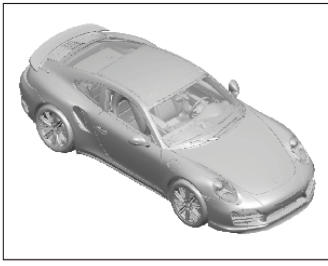
Model: 991T13

Model life 2014>>

Pos	Part Number	Description	Remark	Qty	Model
		Lines Underbody PDCC D - MJ 2017>>	center		PR:031,352, -D97
1	991 359 261 01	Pressure line		1	
2	991 359 263 02	return line		1	
3	999 507 162 40	Cable holder 8,0/10,0		4	
4	991 359 077 04	Valve block		1	
5	999 143 012 01	Hexagon bolt M 6 X 30		3	
6	991 359 255 03	Pressure line		1	
7	991 359 253 03	Pressure line		1	
8	991 359 237 03	Pressure line		1	
9	991 359 225 02	return line		1	
10	991 359 179 01	t-piece		1	
11	900 385 009 01	Torx screw BM 6 X 16		4	
12	991 359 279 02	Bracket		1	
13	991 359 287 00	bush		1	
14	999 073 417 01	fillister hd. bolt		1	
15	991 359 289 02	Bracket		2	
16	997 347 945 00	repair set comprising: Spring O-ring		1	
17	991 609 899 00	Wire set Valve block	rear	1	

Model: 991T13

Model life 2014>>



Model: 991T13

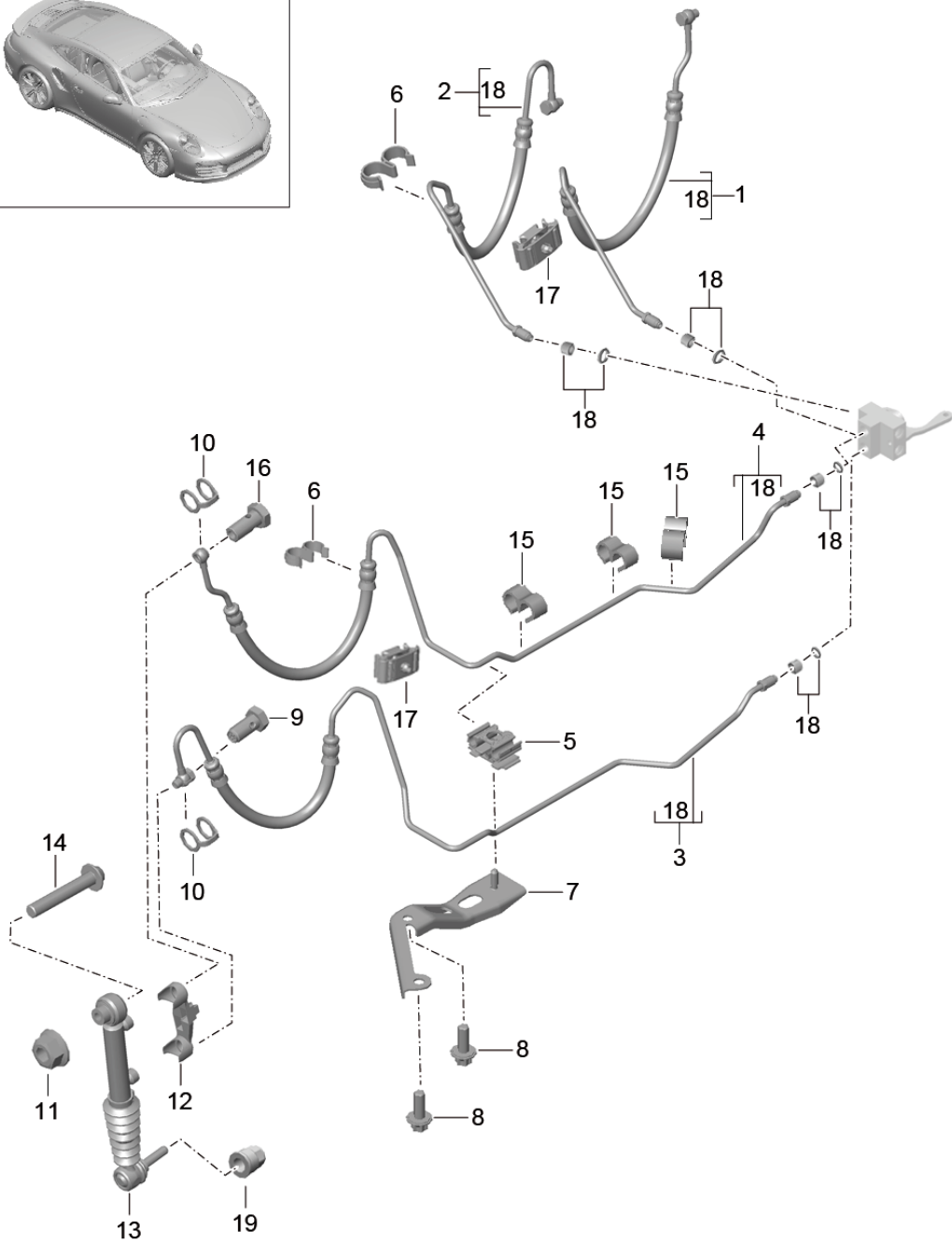
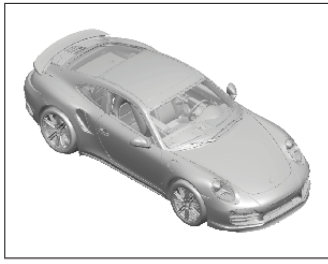
Model life 2014>>

Pos	Part Number	Description	Remark	Qty	Model
		Lines Rear end Damper PDCC D >> - MJ 2016			PR: 352,-D97
1	991 359 249 03	Pressure line	left	1	
2	991 359 251 03	Pressure line	left	1	
3	991 359 250 03	Pressure line	right	1	
4	991 359 252 03	Pressure line	right	1	
5	999 507 907 40	Cable holder 8,0/8,0		3	
6	999 507 830 40	Cable holder 21,5/21,5		2	
7	991 359 280 02	Bracket		1	
8	900 385 009 01	Torx screw BM 6 X 16		2	
9	991 359 359 00	Banjo bolt		2	
		with:			
10	991 359 361 01	Non-return valve Sealing plate		4	
11	999 084 445 01	Locknut M 12 X 1,5		4	
12	991 359 285 02	Bracket	left	1	
(12)	991 359 286 02	Discontinued part Bracket	right	1	
13	991 359 085 03	Discontinued part Damper		2	
(13)	991 359 085 04	Discontinued part Damper		2	
14	999 073 530 01	Socket head bolt M 12 X 1,5 X 72		2	
15	999 591 897 40	Bracket 8,0/8,0		3	
16	900 175 020 03	Banjo bolt M 12 X 1,5		2	
17	955 359 513 00	Line holder		2	
18	997 347 945 00	repair set comprising: Spring O-ring		X	



Model: 991T13

Model life 2014>>



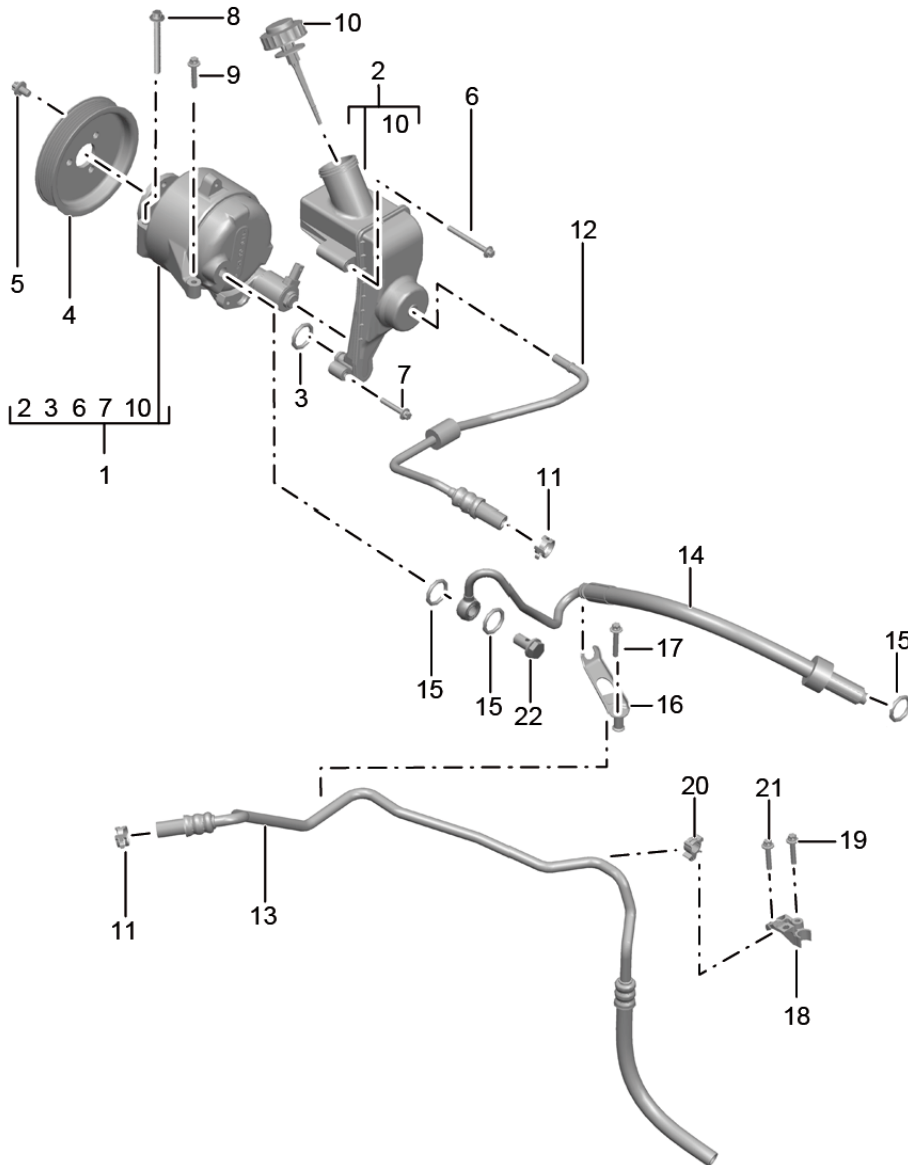
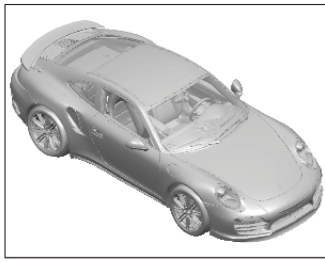
Model: 991T13

Model life 2014>>

Pos	Part Number	Description	Remark	Qty	Model
		Lines Rear end Damper PDCC D - MJ 2017>>			PR:031,352, -D97
1	991 359 249 03	Pressure line	left	1	
2	991 359 251 03	Pressure line	left	1	
3	991 359 250 03	Pressure line	right	1	
4	991 359 252 03	Pressure line	right	1	
5	999 507 907 40	Cable holder 8,0/8,0		1	
6	999 507 830 40	Cable holder 21,5/21,5		2	
7	991 359 280 02	Bracket		1	
8	900 385 009 01	Torx screw BM 6 X 16		2	
9	991 359 359 00	Banjo bolt		2	
		with:			
10	991 359 361 01	Non-return valve Sealing plate		4	
11	999 084 445 01	Locknut M 12 X 1,5		4	
12	991 359 285 02	Bracket	left	1	
(12)	991 359 286 02	Discontinued part Bracket Discontinued part	right	1	
13	991 359 085 04	Damper		2	
14	999 073 530 01	Socket head bolt M 12 X 1,5 X 72		2	
15	999 591 897 40	Bracket 8,0/8,0		3	
16	900 175 020 03	Banjo bolt M 12 X 1,5		2	
17	955 359 513 00	Line holder		2	
18	997 347 945 00	repair set comprising: Spring O-ring		1	
19	999 084 132 01	Hexagon nut M 12 X 1,5		2	

Model: 991T13

Model life 2014>>



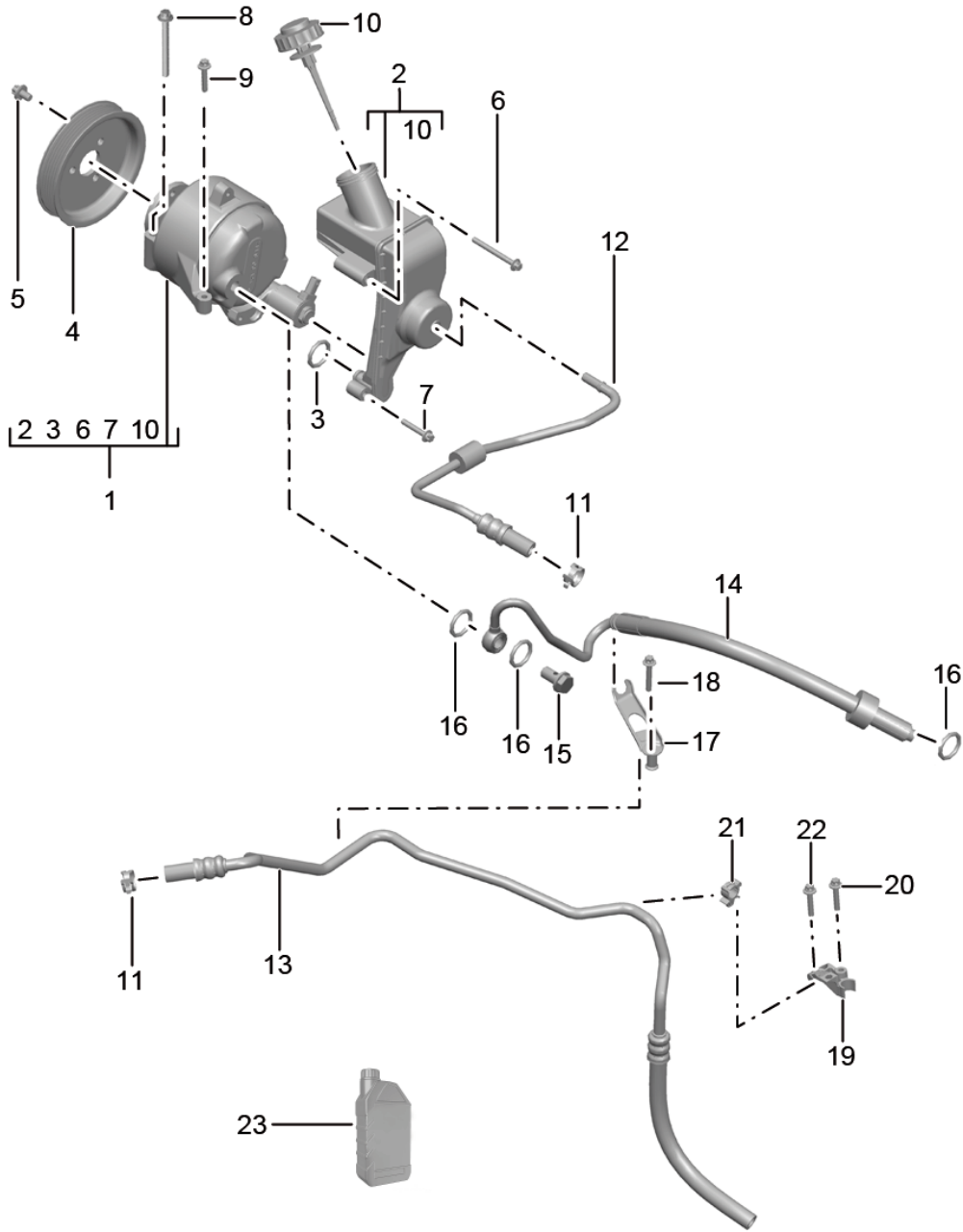
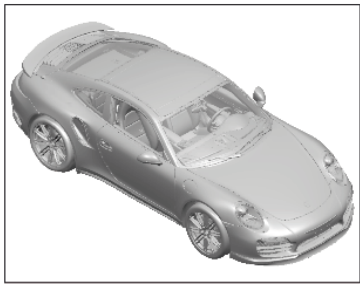
Model: 991T13

Model life 2014>>

Pos	Part Number	Description	Remark	Qty	Model
		Lines Engine PDCC D >> - MJ 2016			PR: 352,-D97
1	9A1 359 021 04	Pump		1	
2	9A1 359 081 03	container		1	
		with:			
3	999 701 184 40	O-ring		1	
		O-ring 12,3 X 2,15			
4	9A1 147 123 00	pulley		1	
5	900 385 099 01	Torx screw		3	
		BM 8 X 12			
6	900 385 276 01	Torx screw		1	
		M 6 X 60			
7	900 385 270 01	Hexagon head bolt		1	
		M 6 X 35			
8	900 385 091 01	Hexagon head bolt		2	
		BM 8 X 60			
9	900 385 048 01	Torx screw		1	
		BM 6 X 30			
10	9A1 359 223 00	Cover		1	
11	999 512 744 01	Clamp		2	
		B 19 X 12			
12	9A1 359 229 50	return line		1	
13	9A1 359 227 50	return line		1	
14	9A1 359 235 04	Pressure line		1	
15	999 707 446 40	O-ring		2	
		18 X 2,5			
16	9A1 359 339 02	Bracket		1	
(16)	9A1 359 335 03	Bracket		1	
17	900 385 270 01	Hexagon head bolt		1	
		M 6 X 35			
18	9A1 359 339 02	Bracket		1	
19	900 385 048 01	Torx screw		1	
		M 6 X 30			
20	999 507 906 40	Bracket		1	
		12,00			
21	900 385 072 01	Torx screw		1	
		BM 6 X 25			
22	999 230 288 01	Banjo bolt		1	
		M 14 X 1,5			
-	000 043 206 56	Pentosin		1	

Model: 991T13

Model life 2014>>



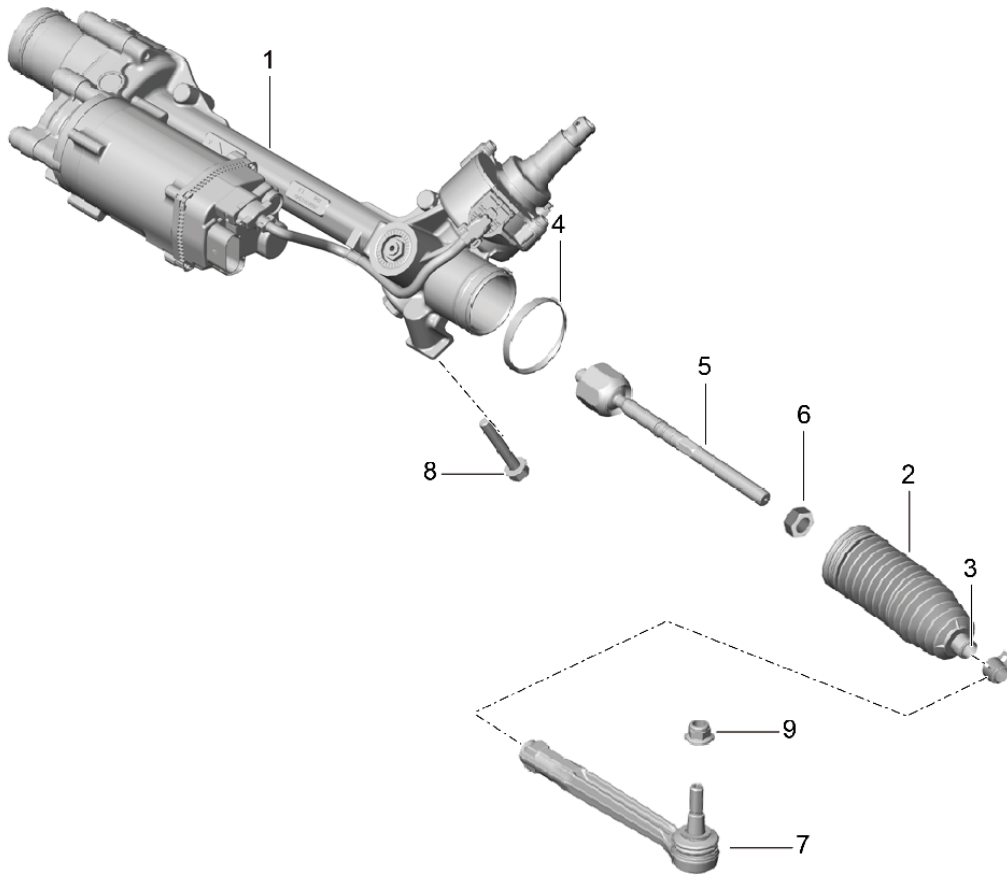
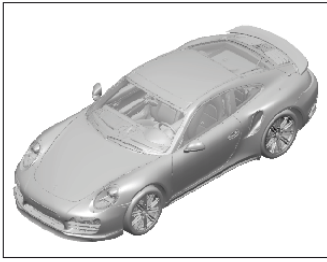
Model: 991T13

Model life 2014>>

Pos	Part Number	Description	Remark	Qty	Model
		Lines Engine PDCC D - MJ 2017>>			PR:031,352, -D97
1	9A1 359 021 04	Pump		1	
2	9A1 359 081 03	container		1	
		with:			
3	999 701 184 40	O-ring		1	
		O-ring 12,3 X 2,15			
4	9A1 147 123 00	pulley		1	
5	900 385 099 01	Torx screw		3	
		BM 8 X 12			
6	900 385 276 01	Torx screw		1	
		M 6 X 60			
7	900 385 270 01	Hexagon head bolt		1	
		M 6 X 35			
8	900 385 091 01	Hexagon head bolt		2	
		BM 8 X 60			
9	900 385 048 01	Torx screw		1	
		BM 6 X 30			
10	9A1 359 223 00	Cover		1	
11	999 512 744 01	Clamp		2	
		B 19 X 12			
12	9A1 359 229 50	return line		1	
13	9A1 359 227 50	return line		1	
14	9A1 359 235 04	Pressure line		1	
		with:			
		Banjo bolt		1	
		with:			
16	999 707 446 40	O-ring		2	
		O-ring 18 X 2,5			
17	9A1 359 335 03	Bracket		1	
18	900 385 270 01	Hexagon head bolt		1	
		BM 6 X 35			
19	9A1 359 339 02	Bracket		1	
20	900 385 048 01	Torx screw		1	
		M 6 X 30			
21	999 507 906 40	Bracket		1	
		12,00			
22	900 385 072 01	Torx screw		1	
		BM 6 X 25			
23	000 043 206 56	Pentosin		1	

Model: 991T13

Model life 2014>>



Model: 991T13

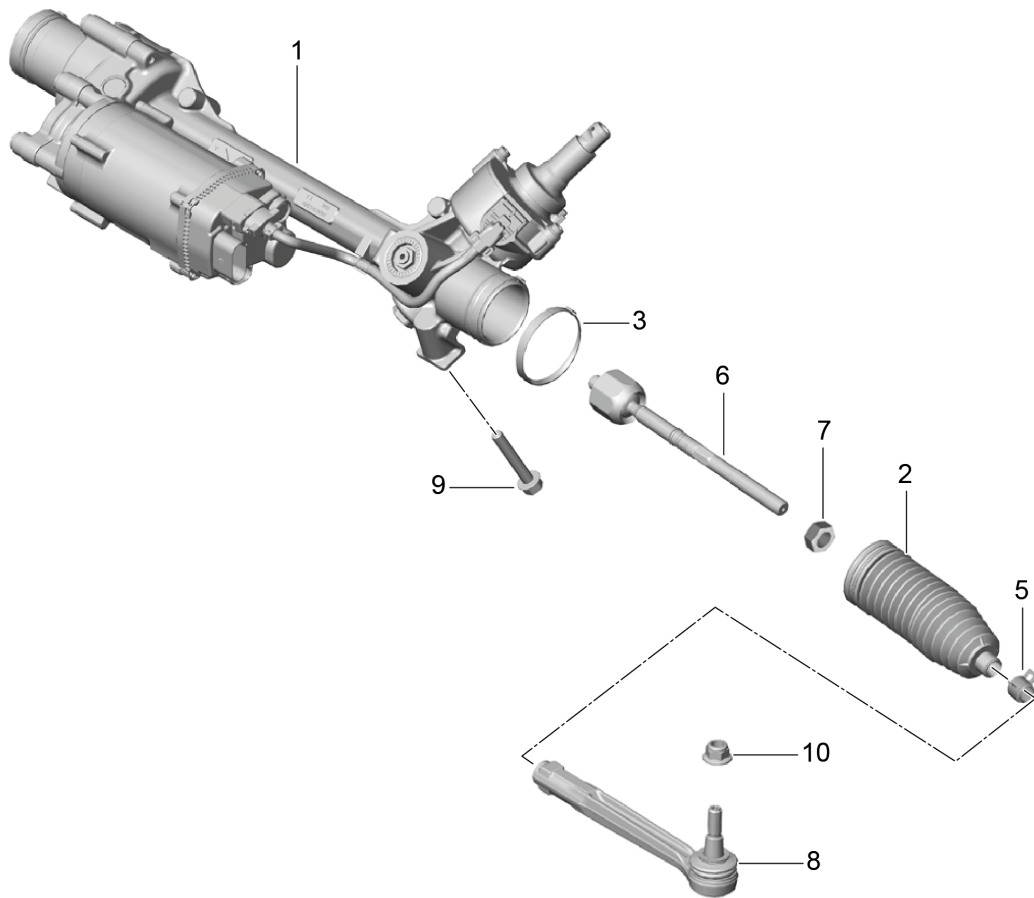
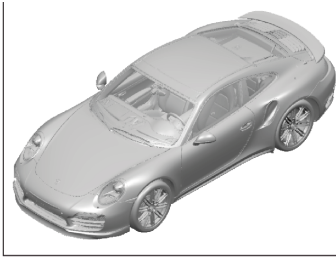
Model life 2014&gt;&gt;

Pos	Part Number	Description	Remark	Qty	Model
		Steering gear			PR:-D97
		Steering parts			
		D >> - MJ 2016			
1	991 347 011 54	Steering gear		1	PR:098,657,
		No longer use the part here			
1	991 347 011 55	Steering gear		1	PR:098,657,
		No longer use the part here			
1	991 347 005 55	Steering gear (complete)		1	PR:098,657, 658
		Discontinued part			
(1)	991 347 005 56	Steering gear (complete)		1	PR:098,657, 658
		Discontinued part			
(1)	991 347 005 58	Steering gear (complete)		1	PR:098,657, 658
(1)	991 347 012 54	Steering gear		1	PR:099,657,
		No longer use the part here			
(1)	991 347 012 55	Steering gear		1	PR:099,657,
		No longer use the part here			
(1)	991 347 006 55	Steering gear (complete)		1	PR:099,657, 658
		Discontinued part			
(1)	991 347 006 56	Steering gear (complete)		1	PR:099,657, 658
2	991 347 191 01	Bellows		2	
3	991 347 375 01	clamping ring		2	
4	991 347 293 01	clamping ring		2	
5	991 347 322 00	Joint		2	
6	999 034 037 01	Hexagon nut M 14 X 1,5		2	
7	991 347 131 00	Track rod		2	
8	999 072 836 01	Hexagon bolt AM 10 X 60		2	
9	999 084 449 09	Locknut M 12 X 1,5		2	



Model: 991T13

Model life 2014>>



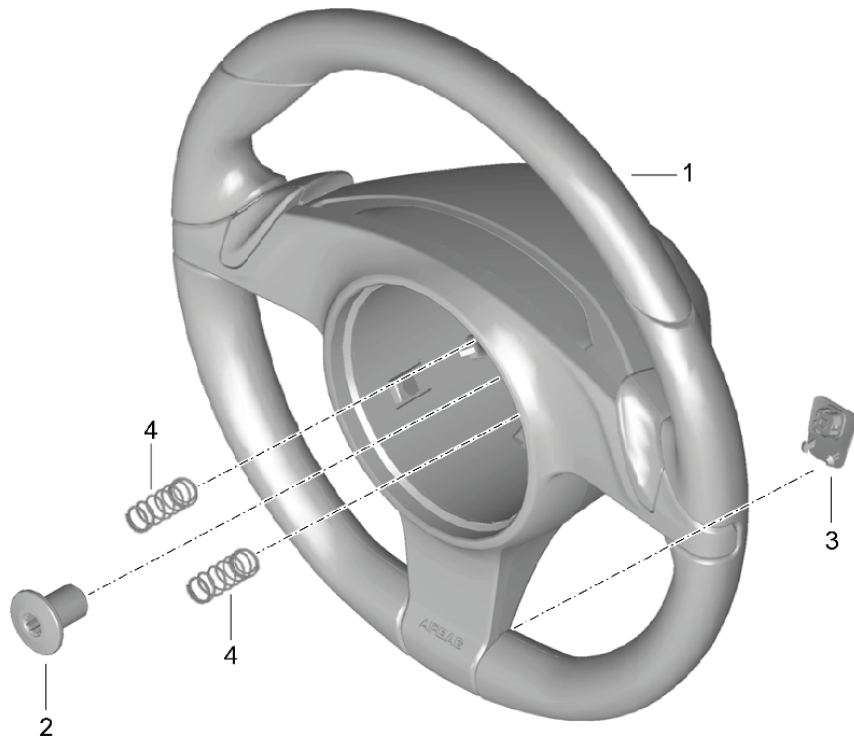
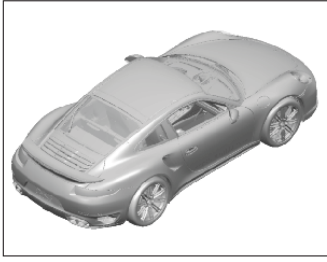
Model: 991T13

Model life 2014>>

Pos	Part Number	Description	Remark	Qty	Model
		Steering gear			PR: -D97
		Steering parts			
		D - MJ 2017>>			
1	991 347 011 65	Steering gear		1	PR:098,657, 658,470
(1)	991 347 012 65	Steering gear		1	PR:099,657, 658,470
2	991 347 191 01	Bellows		2	
3	991 347 293 01	clamping ring		2	
5	991 347 375 01	clamping ring		2	
6	991 347 322 00	Joint		2	
7	999 034 037 01	Hexagon nut M 14 X 1,5		2	
8	991 347 131 00	Track rod		2	
9	999 072 836 01	Hexagon bolt AM 10 X 60		2	
10	999 084 449 09	Locknut M 12 X 1,5		2	

Model: 991T13

Model life 2014>>



Model: 991T13

Model life 2014>>

Pos	Part Number	Description	Remark	Qty	Model
		Steering wheels D >> - MJ 2016			PR:250,-D97
1	991 347 803 13	steering wheel Leather		1	PR:844,-345, -639,-640
	991 347 803 13 A34	Black	-AZ, BR, BL, 99		
	991 347 803 13 8T3	Platinum Grey	-CZ		
	991 347 803 13 9J9	Luxor beige	-UZ		
	991 347 803 13 7M9	yachting blue	-EZ		
	991 347 803 13 OE5	agate grey	-DK, BV		
	991 347 803 13 6H6	Espresso	-NE, BH		
	991 347 803 13 N14	Carrera Red	-NG		
(1)	991 347 803 14	steering wheel Leather		1	PR:345,844, -639,-640
	991 347 803 14 A34	Black	-AZ, BR, BL, 99		
	991 347 803 14 8T3	Platinum Grey	-CZ		
	991 347 803 14 9J9	Luxor beige	-UZ		
	991 347 803 14 7M9	yachting blue	-EZ		
	991 347 803 14 OE5	agate grey	-DK, BV		
	991 347 803 14 6H6	Espresso	-NE, BH		
	991 347 803 14 N14	Carrera Red	-NG		
(1)	991 347 803 17	steering wheel Leather Discontinued part		1	PR:639,844, -345,640
	991 347 803 17 A34	Black	-AZ, BR, BL, BA, BQ, 99		
	991 347 803 17 OE5	agate grey	-DK, BV		
	991 347 803 17 6H6	Espresso	-NE, BH		
	991 347 803 17 N14	Carrera Red	-NG		
	991 347 803 17 8T3	Platinum Grey	-CZ		
	991 347 803 17 9J9	Luxor beige	-UZ		
	991 347 803 17 7M9	yachting blue	-EZ		
(1)	991 347 803 45	steering wheel Leather		1	PR:639,844, -345,640
	991 347 803 45 A34	Black	-AZ, BR, BL, BA, BQ, 99		
	991 347 803 45 OE5	agate grey	-DK, BV		
	991 347 803 45 6H6	Espresso	-NE, BH		
	991 347 803 45 N14	Carrera Red	-NG		
	991 347 803 45 8T3	Platinum Grey	-CZ		
	991 347 803 45 9J9	Luxor beige	-UZ		
	991 347 803 45 7M9	yachting blue	-EZ		
(1)	991 347 803 18	steering wheel Leather Discontinued part		1	PR:345,639, 844,640
	991 347 803 18 A34	Black	-AZ, BR, BL, BQ, 99		
	991 347 803 18 OE5	agate grey	-DK, BV		
	991 347 803 18 6H6	Espresso	-NE, BH		
	991 347 803 18 N14	Carrera Red	-NG		
	991 347 803 18 8T3	Platinum Grey	-CZ		
	991 347 803 18 9J9	Luxor beige	-UZ		
	991 347 803 18 7M9	yachting blue	-EZ		
(1)	991 347 803 46	steering wheel Leather		1	PR:345,639, 844,640
	991 347 803 46 A34	Black	-AZ, BR, BL, BA, BQ, 99		
	991 347 803 46 OE5	agate grey	-DK, BV		
	991 347 803 46 6H6	Espresso	-NE, BH		
	991 347 803 46 N14	Carrera Red	-NG		
	991 347 803 46 8T3	Platinum Grey	-CZ		
	991 347 803 46 9J9	Luxor beige	-UZ		
	991 347 803 46 7M9	yachting blue	-EZ		
(1)	991 347 803 33	steering wheel		1	PR:840,-345,

Model: 991T13 Model life 2014>>

Pos	Part Number	Description	Remark	Qty	Model
		Sport			-639,-640
		Discontinued part			
	991 347 803 33 A34	Black	-AZ, BR, BL, 99		
	991 347 803 33 8T3	Platinum Grey	-CZ		
	991 347 803 33 9J9	Luxor beige	-UZ		
	991 347 803 33 7M9	yachting blue	-EZ		
	991 347 803 33 OE5	agate grey	-DK, BV		
	991 347 803 33 6H6	Espresso	-NE, BH		
	991 347 803 33 N14	Carrera Red	-NG		
(1)	991 347 803 59	steering wheel		1	PR: 840, -345, -639, -640
		Sport			
	991 347 803 59 A34	Black	-AZ, BR, BL, BA, 99		
	991 347 803 59 8T3	Platinum Grey	-CZ		
	991 347 803 59 9J9	Luxor beige	-UZ		
	991 347 803 59 7M9	yachting blue	-EZ		
	991 347 803 59 OE5	agate grey	-DK, BV		
	991 347 803 59 6H6	Espresso	-NE, BH		
	991 347 803 59 N14	Carrera Red	-NG		
(1)	991 347 803 34	steering wheel		1	PR: -345, 639, 640, 840
		Sport			
		Discontinued part			
	991 347 803 34 A34	Black	-AZ, BR, BL, BQ, 99		
	991 347 803 34 8T3	Platinum Grey	-CZ		
	991 347 803 34 9J9	Luxor beige	-UZ		
	991 347 803 34 7M9	yachting blue	-EZ		
	991 347 803 34 OE5	agate grey	-DK, BV		
	991 347 803 34 6H6	Espresso	-NE, BH		
	991 347 803 34 N14	Carrera Red	-NG		
(1)	991 347 803 60	steering wheel		1	PR: -345, 639, 640, 840
		Sport			
	991 347 803 60 A34	Black	-AZ, BR, BL, BA, BQ, 99		
	991 347 803 60 8T3	Platinum Grey	-CZ		
	991 347 803 60 9J9	Luxor beige	-UZ		
	991 347 803 60 7M9	yachting blue	-EZ		
	991 347 803 60 OE5	agate grey	-DK, BV		
	991 347 803 60 6H6	Espresso	-NE, BH		
	991 347 803 60 N14	Carrera Red	-NG		
(1)	991 347 980 15	steering wheel		1	PR: XHL, 345, -639, -640
		- PDK -			
	991 347 980 15 A34	Black	-AZ, BR, BL, BA, 99		
	991 347 980 15 8T3	Platinum Grey	-CZ		
	991 347 980 15 9J9	Luxor beige	-UZ		
	991 347 980 15 7M9	yachting blue	-EZ		
	991 347 980 15 OE5	agate grey	-DK, BV		
	991 347 980 15 6H6	Espresso	-NE, BH		
	991 347 980 15 N14	Carrera Red	-NG		
(1)	991 347 980 08	steering wheel		1	PR: XHL, 345, 639, 640
		- PDK -			
		Discontinued part			
	991 347 980 08 A34	Black	-AZ, BR, BL, BQ, 99		
	991 347 980 08 8T3	Platinum Grey	-CZ		
	991 347 980 08 9J9	Luxor beige	-UZ		
	991 347 980 08 7M9	yachting blue	-EZ		
	991 347 980 08 OE5	agate grey	-DK, BV		
	991 347 980 08 6H6	Espresso	-NE, BH		
	991 347 980 08 N14	Carrera Red	-NG		
(1)	991 347 980 17	steering wheel		1	PR: XHL, 345, 639, 640
		- PDK -			

Model: 991T13 Model life 2014>>

Pos	Part Number	Description	Remark	Qty	Model
	991 347 980 17 A34	Black	-AZ, BR, BL, BA, BQ, 99		
	991 347 980 17 8T3	Platinum Grey	-CZ		
	991 347 980 17 9J9	Luxor beige	-UZ		
	991 347 980 17 7M9	yachting blue	-EZ		
	991 347 980 17 OE5	agate grey	-DK, BV		
	991 347 980 17 6H6	Espresso	-NE, BH		
	991 347 980 17 N14	Carrera Red	-NG		
(1)	991 347 980 10	steering wheel - PDK - Discontinued part		1	PR: XHF, 345, -639, -640
	991 347 980 10 A34	Black	-AZ, BR, BL, 99		
	991 347 980 10 8T3	Platinum Grey	-CZ		
	991 347 980 10 9J9	Luxor beige	-UZ		
	991 347 980 10 7M9	yachting blue	-EZ		
	991 347 980 10 OE5	agate grey	-DK, BV		
	991 347 980 10 6H6	Espresso	-NE, BH		
	991 347 980 10 N14	Carrera Red	-NG		
(1)	991 347 980 16	steering wheel - PDK -		1	PR: XHF, 345, -639, -640
	991 347 980 16 A34	Black	-AZ, BR, BL, BA, 99		
	991 347 980 16 8T3	Platinum Grey	-CZ		
	991 347 980 16 9J9	Luxor beige	-UZ		
	991 347 980 16 7M9	yachting blue	-EZ		
	991 347 980 16 OE5	agate grey	-DK, BV		
	991 347 980 16 6H6	Espresso	-NE, BH		
	991 347 980 16 N14	Carrera Red	-NG		
(1)	991 347 980 11	steering wheel - PDK - Discontinued part		1	PR: XHF, 345, 639, 640
	991 347 980 11 A34	Black	-AZ, BR, BL, BQ, 99		
	991 347 980 11 8T3	Platinum Grey	-CZ		
	991 347 980 11 9J9	Luxor beige	-UZ		
	991 347 980 11 7M9	yachting blue	-EZ		
	991 347 980 11 OE5	agate grey	-DK, BV		
	991 347 980 11 6H6	Espresso	-NE, BH		
	991 347 980 11 N14	Carrera Red	-NG		
(1)	991 347 980 18	steering wheel - PDK -		1	PR: XHF, 345, 639, 640
	991 347 980 18 A34	Black	-AZ, BR, BL, BA, BQ, 99		
	991 347 980 18 8T3	Platinum Grey	-CZ		
	991 347 980 18 9J9	Luxor beige	-UZ		
	991 347 980 18 7M9	yachting blue	-EZ		
	991 347 980 18 OE5	agate grey	-DK, BV		
	991 347 980 18 6H6	Espresso	-NE, BH		
	991 347 980 18 N14	Carrera Red	-NG		
(1)	991 347 980 12	steering wheel Sport Discontinued part		1	PR: XLK, -345, -639, -640
(1)	991 347 980 12 2W0	Black			
(1)	991 347 980 21	steering wheel Sport		1	PR: XLK, -345, -639, -640
(1)	991 347 980 21 2W0	Black			
(1)	991 347 980 13	steering wheel Sport Discontinued part		1	PR: XLK, -345, 639, 640
(1)	991 347 980 13 2W0	Black			
(1)	991 347 980 22	steering wheel Sport		1	PR: XLK, -345, 639, 640
	991 347 980 22 2W0	Black			

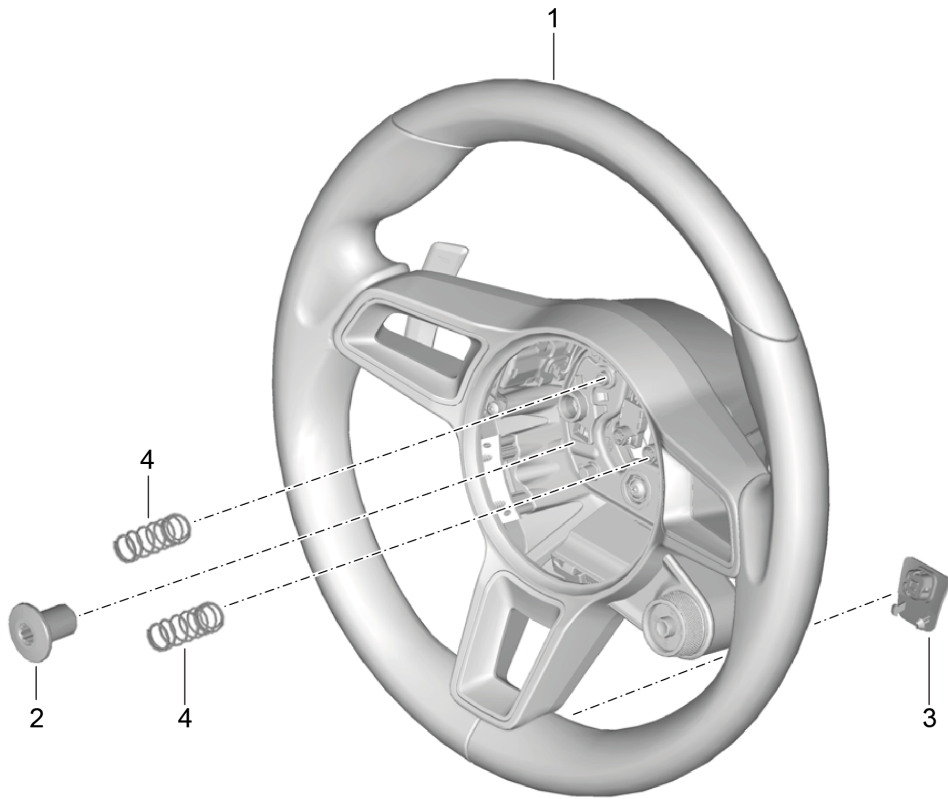
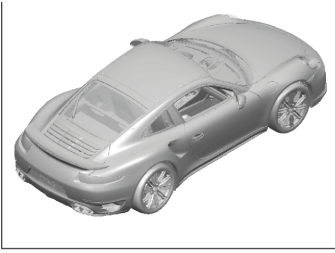
Model: 991T13

Model life 2014>>

Pos	Part Number	Description	Remark	Qty	Model
2	N 910 207 01	Screw with int. serrations M 18 X 1.5 X 26		1	
3	7PP 951 527	Switch heater steering wheel		1	PR:345
4	7PP 951 527 A05 9P1 419 357	Black Spring in steering wheel		2	

Model: 991T13

Model life 2014>>





Model: 991T13

Model life 2014>>

Pos	Part Number	Description	Remark	Qty	Model
(1)	9P1 419 091 FD	steering wheel D - MJ 2017>> steering wheel (leather)		1	PR:250,-D97 PR:858,QR0, -489
	9P1 419 091 FD A34	GT Black	-AZ,BT,BM,TD, 99		
	9P1 419 091 FD OE5	agate grey	-FZ		
	9P1 419 091 FD 9J9	Luxor beige	-UZ		
	9P1 419 091 FD OH7	Graphite Blue	-HZ,BG,TG		
	9P1 419 091 FD OK6	saddle brown	-SZ		
	9P1 419 091 FD OG6	Bordeaux red	-LZ		
	9P1 419 091 FD 6H6	Espresso	-NE,BY		
(1)	9P1 419 091 FF	steering wheel (leather)		1	PR:858,QR5, -489
	9P1 419 091 FF A34	GT Black	-AZ,BT,BM,TD, 99		
	9P1 419 091 FF OE5	agate grey	-FZ		
	9P1 419 091 FF 9J9	Luxor beige	-UZ		
	9P1 419 091 FF OH7	Graphite Blue	-HZ,BG,TG		
	9P1 419 091 FF OK6	saddle brown	-SZ		
	9P1 419 091 FF OG6	Bordeaux red	-LZ		
	9P1 419 091 FF 6H6	Espresso	-NE,BY		
(1)	9P1 419 091 FH	steering wheel (leather)		1	PR:858,QR0, 489
	9P1 419 091 FH A34	GT Black	-AZ,BT,BM,TD, 99		
	9P1 419 091 FH OE5	agate grey	-FZ		
	9P1 419 091 FH 9J9	Luxor beige	-UZ		
	9P1 419 091 FH OH7	Graphite Blue	-HZ,BG,TG		
	9P1 419 091 FH OK6	saddle brown	-SZ		
	9P1 419 091 FH OG6	Bordeaux red	-LZ		
	9P1 419 091 FH 6H6	Espresso	-NE,BY		
(1)	9P1 419 091 FK	steering wheel (leather)		1	PR:858,QR5, 489
	9P1 419 091 FK HJF	GT Black/Gold-yellow	-60		
	9P1 419 091 FK A34	Black	-AZ,BT,BM,TD, 99		
	9P1 419 091 FK OE5	agate grey	-FZ		
	9P1 419 091 FK 9J9	Luxor beige	-UZ		
	9P1 419 091 FK OH7	Graphite Blue	-HZ,BG,TG		
	9P1 419 091 FK OK6	saddle brown	-SZ		
	9P1 419 091 FK OG6	Bordeaux red	-LZ		
	9P1 419 091 FK 6H6	Espresso	-NE,BY		
(1)	9P1 419 091 FE	steering wheel Alcantara		1	PR:XLL,QR0, -489
	9P1 419 091 FE 2W0	GT Black			
(1)	9P1 419 091 FG	steering wheel Alcantara		1	PR:XLL,QR5, -489
	9P1 419 091 FG 2W0	GT Black			
(1)	9P1 419 091 FJ	steering wheel Alcantara		1	PR:XLL,QR0, 489
	9P1 419 091 FJ 2W0	GT Black			
(1)	9P1 419 091 FL	steering wheel Alcantara		1	PR:XLL,QR5, 489
	9P1 419 091 FL 2W0	GT Black			

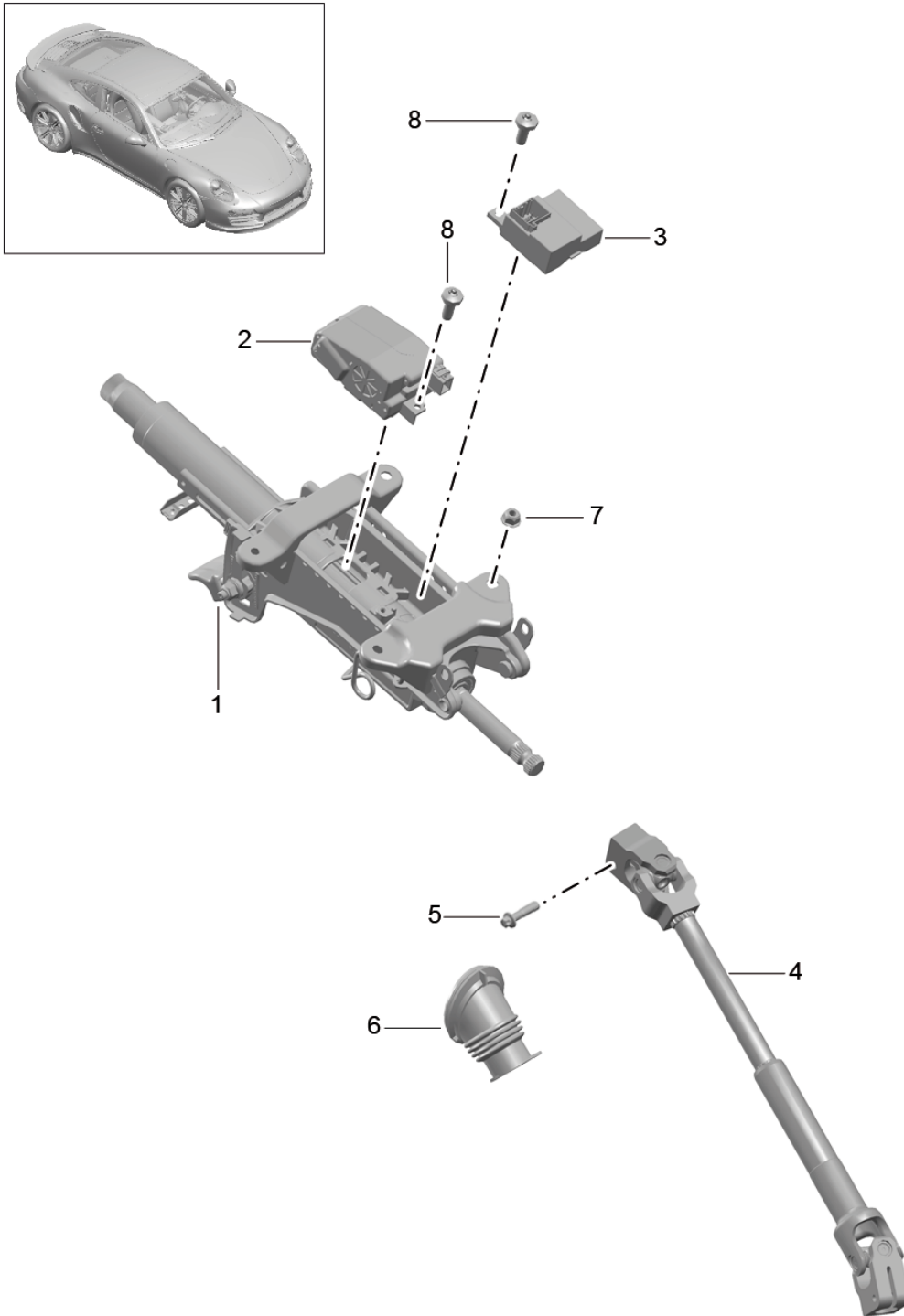
Model: 991T13

Model life 2014>>

Pos	Part Number	Description	Remark	Qty	Model
(1)	9P1 419 091 EM	steering wheel		1	PR: XHW, QR5, 489
	9P1 419 091 EM A34	Carbon Black	-AZ, BT, BM, TD, 99		
	9P1 419 091 EM OE5	agate grey	-FZ		
	9P1 419 091 EM 9J9	Luxor beige	-UZ		
	9P1 419 091 EM OH7	Graphite Blue	-HZ, BG, TG		
	9P1 419 091 EM OK6	saddle brown	-SZ		
	9P1 419 091 EM OG6	Bordeaux red	-LZ		
	9P1 419 091 EM 6H6	Espresso	-NE, BY		
(1)	9P1 419 091 EN	steering wheel		1	PR: XHV, QR5, 489
	9P1 419 091 EN A34	Mahogany Yachting Yachting mahogany/black	-AZ, BT, BM, TD, 99		
	9P1 419 091 EN OE5	Yachting mahogany/agate grey	-FZ		
	9P1 419 091 EN 9J9	Yachting mahogany/luxor beige	-UZ		
	9P1 419 091 EN OH7	Yachting mahogany/graphit blue	-HZ, BG, TG		
	9P1 419 091 EN OK6	Yachting mahogany/saddle brown	-SZ		
	9P1 419 091 EN OG6	Yachting mahogany/bordeaux red	-LZ		
	9P1 419 091 EN 6H6	Yachting mahogany/espresso	-NE, BY		
2	N 910 207 01	Screw with int. serrations M 18 X 1,5 X 26		1	
		D >> - 24.01.2017			
(2)	N 907 991 02	Pan head bolt w/ multi-point drive, self-locking M18 X 1,5 X 18		1	
		D - 25.01.2017>>			
3	95B 951 527	Trim heater steering wheel		1	PR: 489
	95B 951 527 6N3	Black			
4	9P1 419 357	Spring IM steering wheel		2	
		No longer use the part here			

Model: 991T13

Model life 2014>>



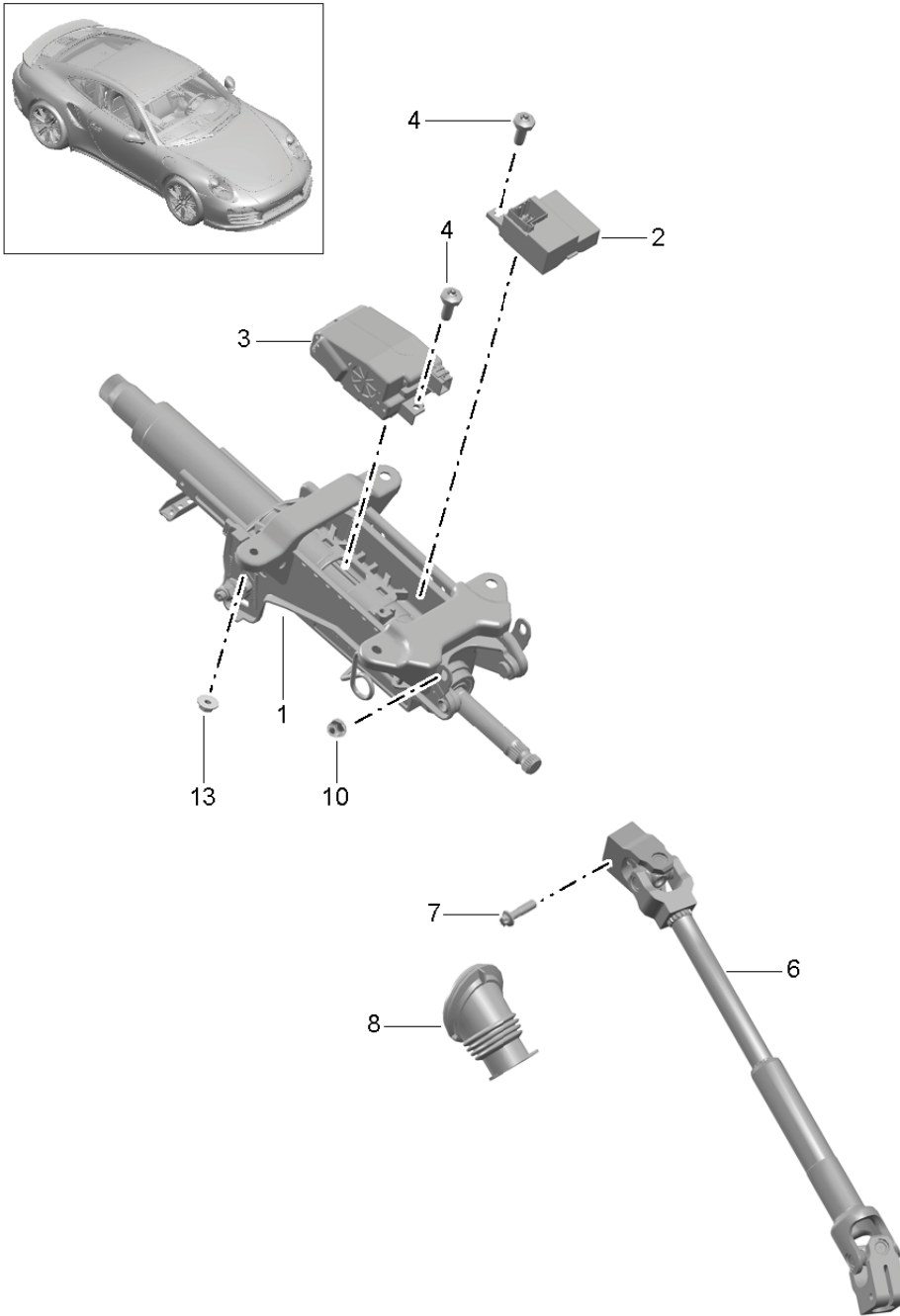
Model: 991T13

Model life 2014>>

Pos	Part Number	Description	Remark	Qty	Model
		Steering column Intermediate steering shaft			PR:-D97
		D >> - MJ 2016			
1	991 347 015 14	Steering column		1	PR:656
(1)	991 347 015 32	Steering column		1	PR:648
2	7PP 905 852 C	Control unit Immobiliser		1	PR:656
3	4H0 907 705 K	Control unit for electrically adjustable steering column		1	PR:648,656
4	991 347 023 03	Intermediate steering shaft		1	PR:098
(4)	991 347 024 03	Intermediate steering shaft		1	PR:099
5	WHT 004 955 A	Torx socket head bolt M 8 X 30		2	
6	991 347 037 01	Bellows		1	
7	999 084 630 01	Hexagon nut M8		4	
8	8E0 035 413	Hexagon socket head bolt M5 X 10		2	PR:648,656

Model: 991T13

Model life 2014>>



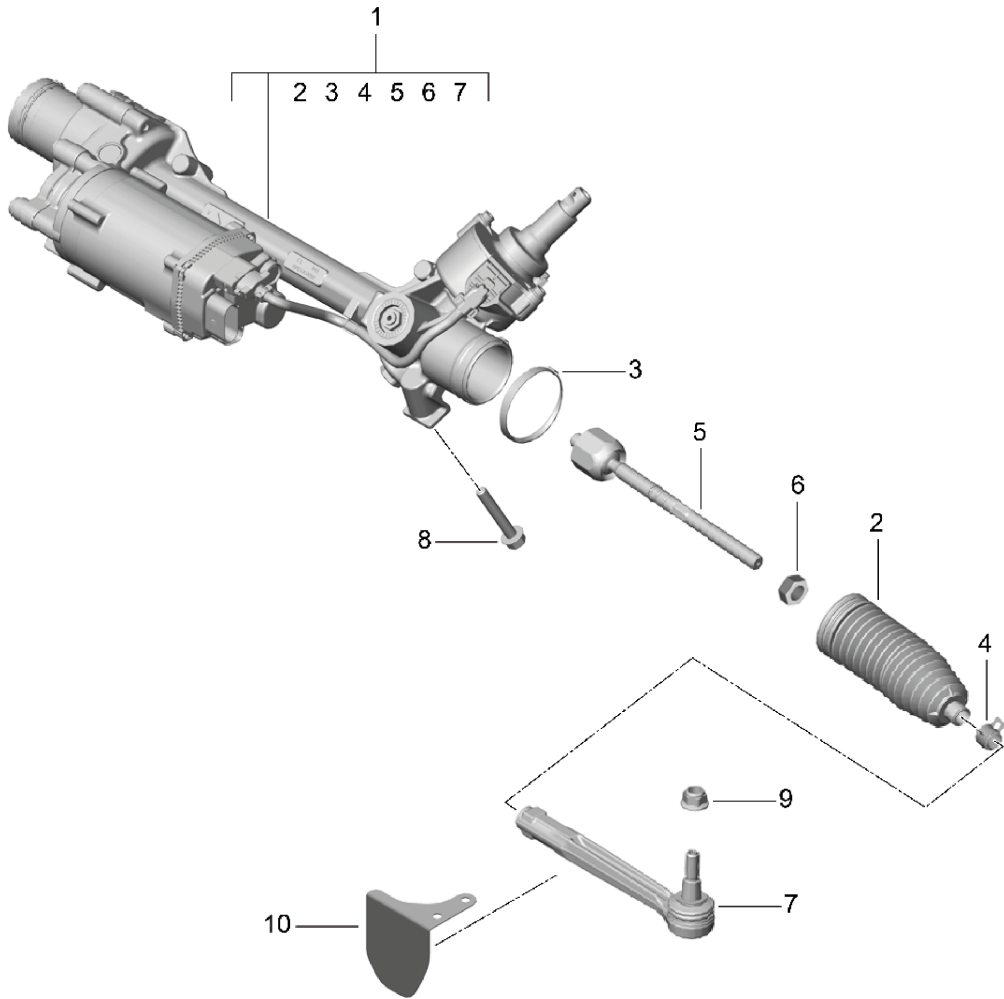
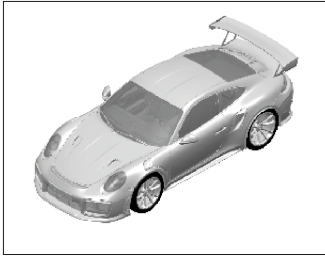
Model: 991T13

Model life 2014&gt;&gt;

Pos	Part Number	Description	Remark	Qty	Model
		Steering column Intermediate steering shaft D - MJ 2017>>			PR:-D97
1	991 347 015 33	Steering column		1	PR:648
(1)	991 347 015 15	Steering column		1	PR:656
2	4H0 907 705 K	Control unit for electrically adjustable steering column		1	PR:648,656
3	7PP 905 852 C	Control unit		1	PR:656
4	8E0 035 413	Hexagon socket head bolt M 5 X 10		2	PR:648,656
6	991 347 023 03	Intermediate steering shaft		1	PR:098
(6)	991 347 024 03	Intermediate steering shaft		1	PR:099
7	WHT 004 955 A	Torx socket head bolt M 8 X 30		2	
8	991 347 037 02	Bellows		1	
10	999 084 630 01	Hexagon nut M 8		1	
13	N 907 988 05	Hexagon collar nut M 8		4	

Model: 991T13

Model life 2014>>



Model: 991T13

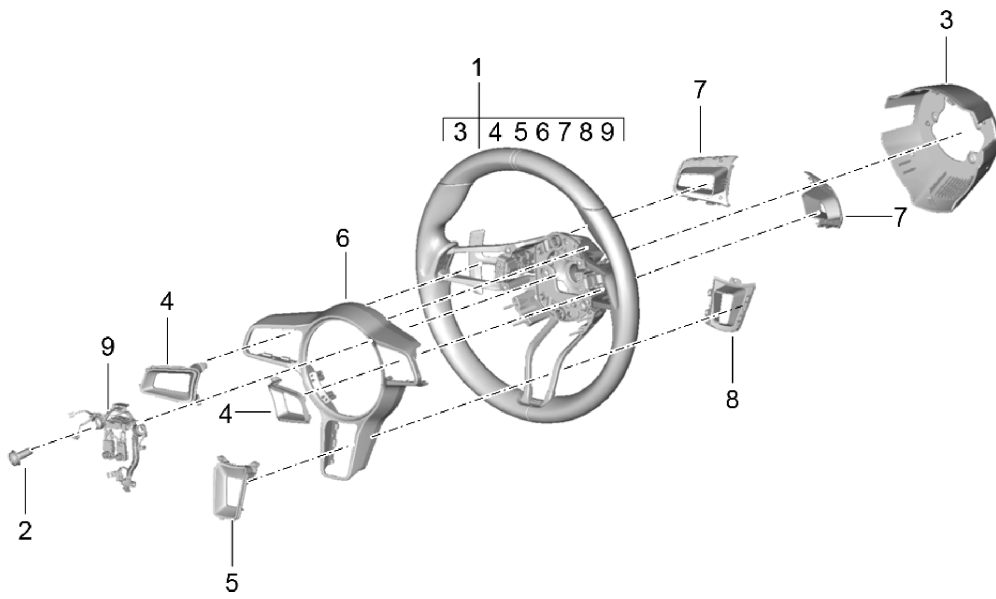
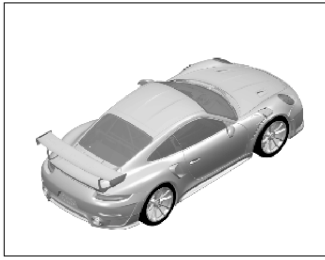
Model life 2014>>

Pos	Part Number	Description	Remark	Qty	Model
		Steering gear			PR:D97
1	991 347 005 42	Steering parts			
		Steering gear		1	PR:098,657
(1)	991 347 006 42	(complete)			
		Steering gear		1	PR:099,657
(1)	991 347 005 43	(complete)			
		Steering gear	KOMPLETT	1	PR:098,357,
(1)	991 347 006 43				657
		Steering gear	KOMPLETT	1	PR:099,357,
					657
2	991 347 191 01	Bellows		2	
3	991 347 293 01	clamping ring		2	
4	991 347 375 01	clamping ring		2	
5	991 347 322 80	Joint		2	
6	999 034 037 01	Hexagon nut		2	
		M 14 X 1,5			
7	991 347 131 00	Track rod		2	
8	999 072 836 01	Hexagon bolt		2	
		AM 10 X 60			
9	999 084 449 09	Locknut		2	
		M 12 X 1,5			
10	991 351 803 81	Cover plate	left	1	
		Track rod			
(10)	991 351 804 81	Cover plate	right	1	
		Track rod			



Model: 991T13

Model life 2014>>



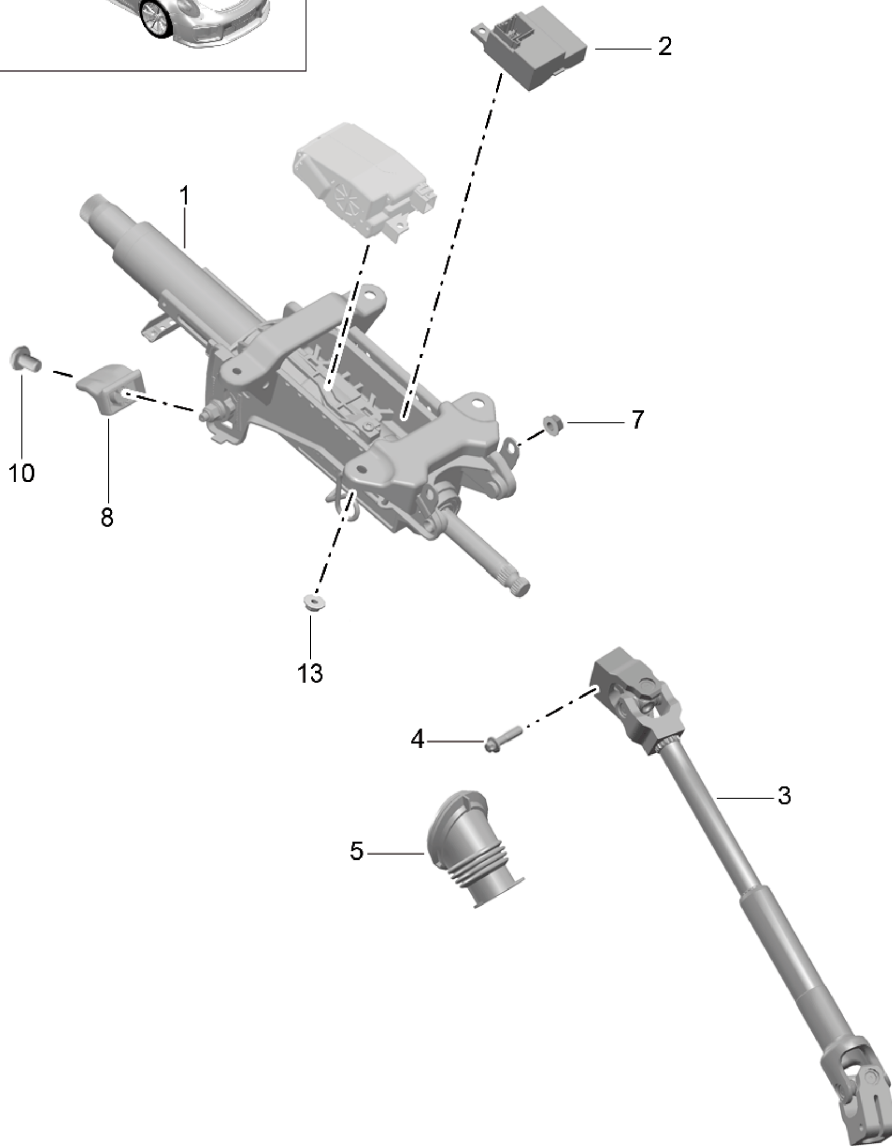
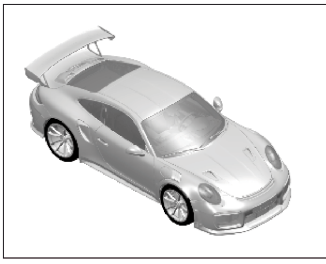
Model: 991T13

Model life 2014>>

Pos	Part Number	Description	Remark	Qty	Model
1	9P1 419 091 GD	Steering wheels steering wheel Alcantara		1	PR:D97 PR:877,886, -808
	9P1 419 091 GD RCB	Red/Black/Red ROT/SCHWARZ	-43,63		
	9P1 419 091 GD RBV	Black/Guards Red	-68		
	9P1 419 091 GD RBU	Black/Platinum Grey	-78		
(1)	9P1 419 091 GD	steering wheel Alcantara		1	PR:877,887, -808
	9P1 419 091 GD RCA	Red/Black/Red ROT/SCHWARZ	-43,63		
	9P1 419 091 GD RBY	Black/Guards Red	-68		
	9P1 419 091 GD RBX	Black/Platinum Grey	-78		
(1)	9P1 419 091 GB	steering wheel Alcantara		1	PR:877,886, 808
	9P1 419 091 GB RCB	Red/Black/Red ROT/SCHWARZ	-43,63		
	9P1 419 091 GB RBV	Black/Guards Red	-68		
	9P1 419 091 GB RBU	Black/Platinum Grey	-78		
(1)	9P1 419 091 GB	steering wheel Alcantara		1	PR:877,887, 808
	9P1 419 091 GB RCA	Red/Black/Red ROT/SCHWARZ	-43,63		
	9P1 419 091 GB RBY	Black/Guards Red	-68		
	9P1 419 091 GB RBX	Black/Platinum Grey	-78		
(1)	9P1 419 091 GE	steering wheel (leather)		1	PR:878,-808
	9P1 419 091 GE DRO	Black/Guards Red	-43,63,68		
	9P1 419 091 GE DRN	Black/Platinum Grey	-78		
(1)	9P1 419 091 GC	steering wheel (leather)		1	PR:878,808
	9P1 419 091 GC DRO	Black/Guards Red	-43,63,68		
	9P1 419 091 GC DRN	Black/Platinum Grey	-78		
2	N 907 991 02	Pan head bolt w/ multi-point drive, self-locking M 18 X 1.5 X 18		1	
3	95B 419 798	Cover	rear	1	
	95B 419 798 5Q0	Black			
4	9P1 419 937 G	Trim	left front	1	
	9P1 419 937 G 5Q0	Black			
(4)	9P1 419 936 G	Trim	right front	1	
	9P1 419 936 G 5Q0	Black			
5	9P1 419 938 C	Trim	front	1	
	9P1 419 938 C 5Q0	Black			
6	9P1 419 732	Trim	front	1	PR:-808
	9P1 419 732 5Q0	Black			
(6)	95B 419 732	Cover	front	1	PR:-808
	95B 419 732 GT8	Galvano silver			
(6)	9P1 419 732 B	Trim	front	1	PR:808
	9P1 419 732 B A3G	Carbon Gloss Black			
(6)	95B 419 732 B	Trim for steering wheel	front	1	PR:808
	95B 419 732 B GT8	Galvano silver			
7	9P1 419 937 E	Trim	left rear	1	
	9P1 419 937 E 5Q0	Black			
8	95B 419 938 B	Trim	rear lower	1	
	95B 419 938 B 6N3	without heating Black			
9	9P1 971 388	Wire set steering wheel		1	PR:QR0

Model: 991T13

Model life 2014>>



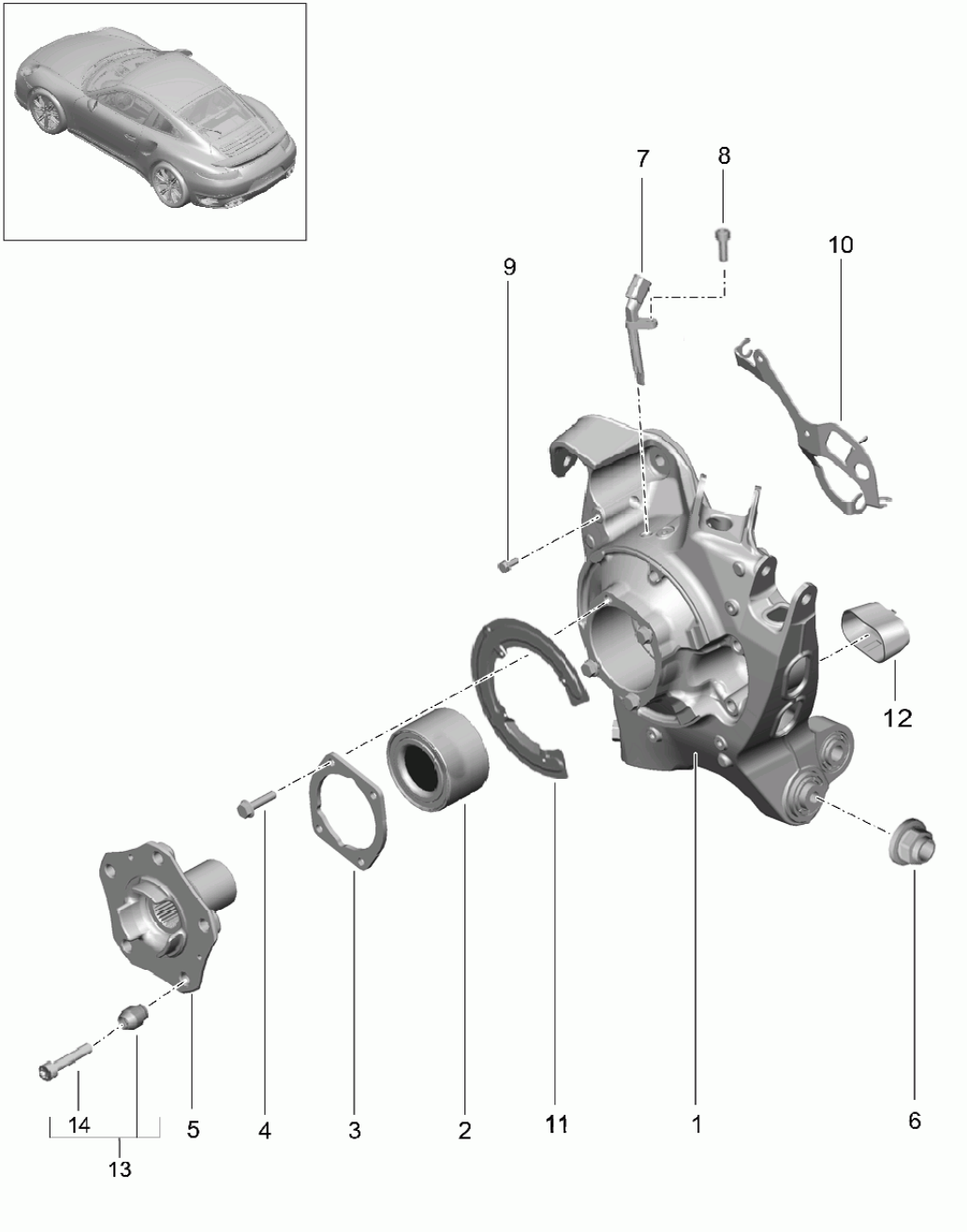
Model: 991T13

Model life 2014>>

Pos	Part Number	Description	Remark	Qty	Model
		Steering column			PR:D97
		Intermediate steering shaft			
1	991 347 015 24	Steering column		1	PR:647
(1)	991 347 015 06	Steering column		1	PR:655
2	7PP 905 852 C	Control unit		1	PR:655
3	991 347 023 03	Intermediate steering shaft		1	PR:098
(3)	991 347 024 03	Intermediate steering shaft		1	PR:099
4	WHT 004 955 A	Torx socket head bolt M 8 X 30		2	
5	991 347 037 02	Bellows		1	
7	999 084 630 01	Hexagon nut M 8		1	
8	970 347 175 00	handle		1	
	970 347 175 00 1E0	Black			
10	N 104 857 03	Hexagon socket flat head bolt M 5 X 12		1	
13	N 907 988 05	Hexagon collar nut M 8		4	

Model: 991T13

Model life 2014>>

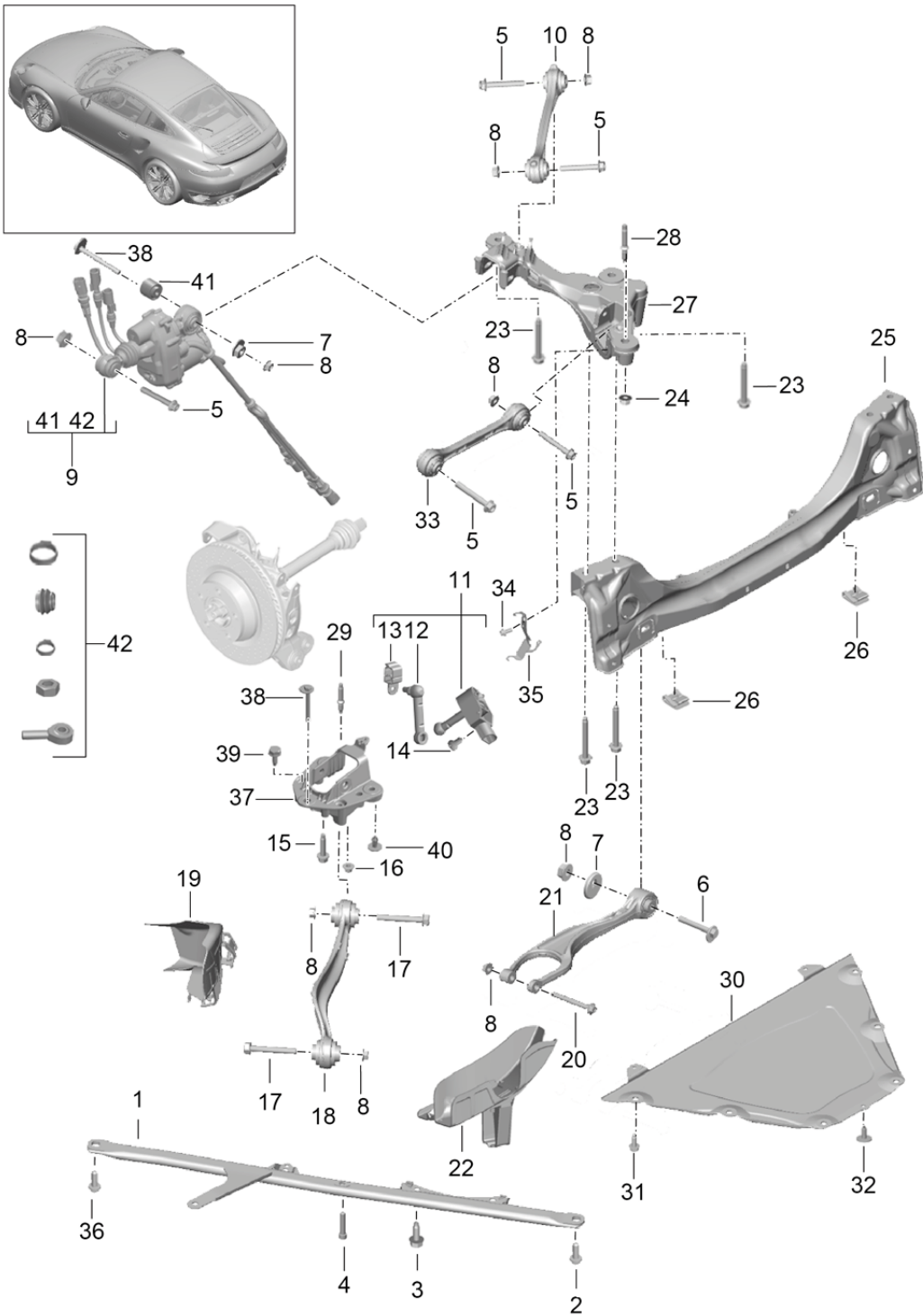


Model: 991T13 Model life 2014>>

Pos	Part Number	Description	Remark	Qty	Model
		Rear axle Wheel carrier Wheel hub D >> - MJ 2016			PR:-D97
1	991 331 111 12	Wheel carrier	left	1	
(1)	991 331 112 12	Wheel carrier	right	1	
2	999 053 057 01	angular ball bearing 47 X 85 X 52		2	
(2)	298 407 621	angular ball bearing 47 X 85 X 52		2	
(2)	971 407 621	Discontinued part angular ball bearing 47 X 85 X 52		2	
3	996 331 661 01	Cover		2	
4	999 217 042 03	Hexagon bolt M 8 X 35		8	
5	991 331 605 03	Wheel hub		2	PR:-478
(5)	991 331 607 00	Wheel hub Central locking		2	PR:478
6	999 084 135 02	Hexagon nut M 22 X 1,5		2	
7	991 606 407 01	speed sensor		2	
8	900 067 117 04	Socket head bolt M6 X 16		2	
9	999 217 116 01	Hexagon bolt M 6 X 16		7	
10	991 609 401 01	bracket for speed sensor	left	1	
(10)	991 609 402 01	bracket for speed sensor	right	1	
11	991 352 803 01	Cover plate workshop manual Attention	left	1	PR:-450
(11)	991 352 804 01	Cover plate workshop manual Attention	right	1	PR:-450
(11)	991 352 805 00	Cover plate workshop manual Attention	left	1	PR:450
(11)	991 352 806 00	Cover plate workshop manual Attention	right	1	PR:450
12	991 331 493 02	Insert		1	PR:450
13	991 341 901 00	1 set attachment parts comprising: Driving pin		2	PR:478
		Fastening screw		5	
14	991 341 903 00	Set of fastening parts comprising: Socket head bolt No longer use the part here		5	
				1	PR:478
				10	

Model: 991T13

Model life 2014>>



Model: 991T13

Model life 2014>>

Pos	Part Number	Description	Remark	Qty	Model
		Rear axle Side part Carrier Guide D >> - MJ 2016			PR:-D97
1	991 331 081 07	Brace	left	1	
(1)	991 331 083 07	Brace	left	1	Cabrio
(1)	991 331 082 07	Brace	right	1	
(1)	991 331 084 07	Brace	right	1	Cabrio
2	999 072 869 01	Hexagon bolt AM 12 X 1,5 X 45		2	
3	N 107 771 01	Hexagon bolt M8 X 25		8	Cabrio
4	999 510 046 01	Socket head bolt M 10 X 45		2	
5	999 072 868 01	Hexagon bolt M 12 X 1,5 X 80		8	
6	997 331 217 02	Eccentric bolt		2	
7	970 331 219 00	eccentric washer		2	PR:470
8	999 084 445 01	Locknut M 12 X 1,5		X	
9	991 331 057 02	Track rod Steering Rear axle Discontinued part	left	1	PR:470
(9)	991 331 057 08	Track rod Steering Rear axle	left	1	PR:470
(9)	991 331 058 02	Track rod Steering Rear axle Discontinued part	right	1	PR:470
(16)	991 331 058 08	Track rod Steering Rear axle	right	1	PR:470
10	991 331 061 04	Guide	upper	2	
11	991 333 021 00	Level sensor		2	PR:352,475
12	991 333 327 00	connecting rod		2	PR:352,475
14	N 104 857 03	Hexagon socket flat head bolt M 5 X 12		4	PR:352,475
15	999 072 841 01	Bolt with washer AM 10 X 50		4	
16	999 076 053 01	Hexagon nut M 10		2	
16	PAF 008 868	Hexagon nut M 10		2	
17	999 072 920 01	Hexagon bolt AM 12 X 1,5 X 90		4	
18	991 331 043 03	Guide D >> - MJ 2016	left lower	1	PR:-IY2,-450
18	991 331 043 20	Discontinued part Guide also use: 9P1 615 457 G	left lower	1	PR:-IY2,-450
(18)	991 331 043 03	D >> - MJ 2016 Guide	left lower	1	PR:-IY2,450
(18)	991 331 043 20	D >> - MJ 2016 Discontinued part Guide	left lower	1	PR:-IY2,450



Model: 991T13 Model life 2014>>

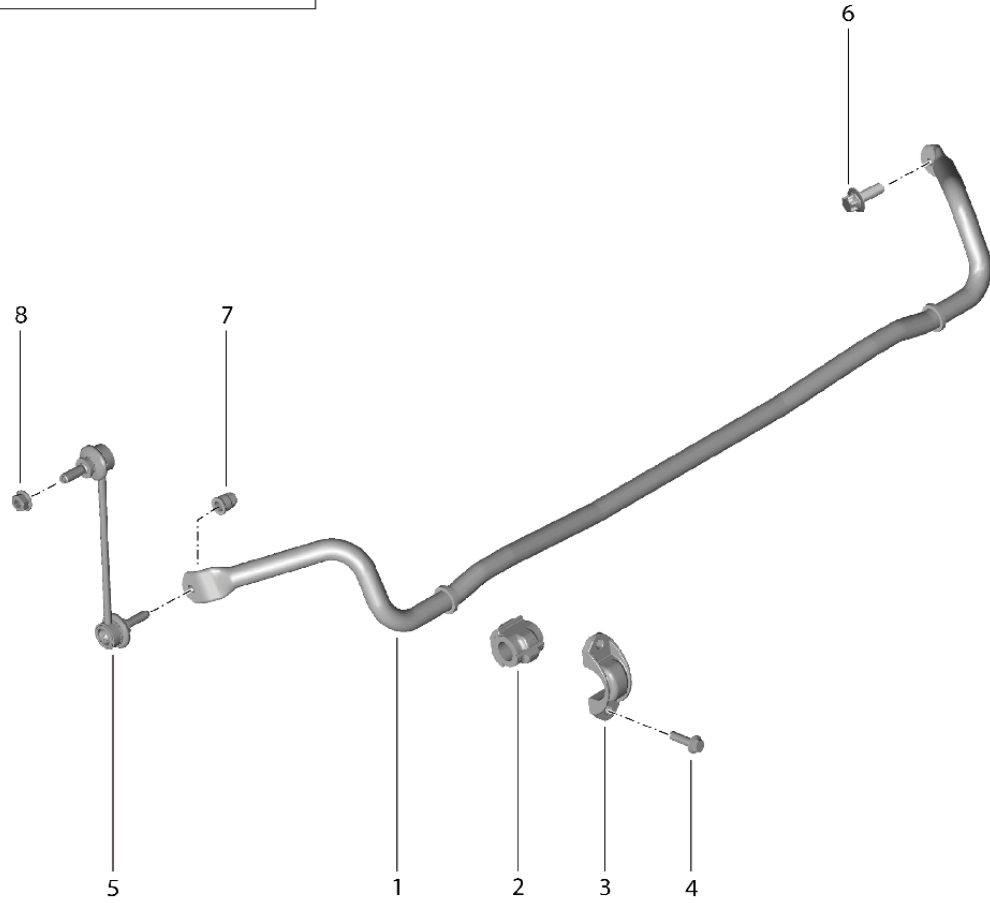
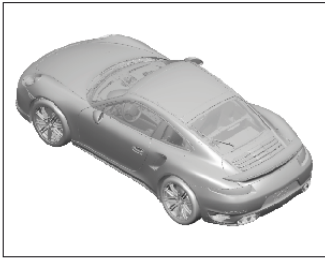
Pos	Part Number	Description	Remark	Qty	Model
(18)	991 331 043 20	D >> - MJ 2016 Guide	also use: 9P1 615 457 H left lower	1	PR:IY2
(18)	991 331 044 03	D - MJ 2016>> Guide	right lower	1	PR:-IY2,-450
(18)	991 331 044 20	D >> - MJ 2016 Discontinued part Guide	right lower	1	PR:-IY2,-450
(18)	991 331 044 03	D >> - MJ 2016 Guide	also use: 9P1 615 458 G right lower	1	PR:-IY2,450
(18)	991 331 044 20	D >> - MJ 2016 Discontinued part Guide	right lower	1	PR:-IY2,450
(18)	991 331 044 20	D >> - MJ 2016 Guide	also use: 9P1 615 458 H right lower	1	PR:IY2
19	991 331 481 00	D - MJ 2016>> Spoiler Only for Guide 991.331.043.03	left	1	PR:-IY2,-450
(19)	9P1 615 457 G	D >> - MJ 2016 Spoiler Only for Guide 991.331.043.20	left	1	PR:IY2,-450
(19)	991 331 485 00	D - MJ 2016>> Spoiler Only for Guide 991.331.043.03	left	1	PR:-IY2,450
(19)	9P1 615 457 H	D >> - MJ 2016 Spoiler Only for Guide 991.331.043.20	left	1	PR:IY2,450
(19)	991 331 482 00	D - MJ 2016>> Spoiler Only for Guide 991.331.044.03	right	1	PR:-IY2,-450
(19)	9P1 615 458 G	D >> - MJ 2016 Spoiler Only for Guide 991.331.044.20	right	1	PR:IY2,-450
(19)	991 331 486 00	D - MJ 2016>> Spoiler Only for	right	1	PR:-IY2,450

Model: 991T13 Model life 2014>>

Pos	Part Number	Description	Remark	Qty	Model
(19)	9P1 615 458 H	Guide 991.331.044.03 D >> - MJ 2016 Spoiler Only for Guide	right	1	PR:IY2,450
20	999 072 930 01	991.331.044.20 D - MJ 2016>> Hexagon bolt		2	
21	991 331 053 10	M 12 X 1,5 X 105 Wishbone	lower	2	
21	991 331 053 21	Discontinued part Wishbone	lower	2	
22	991 331 483 01	Spoiler	left	1	
(22)	991 331 484 01	Guide Spoiler	lower right	1	
23	999 072 866 01	Guide Hexagon bolt	lower	4	
24	N 909 167 01	M 12 X 1,5 X 95 Hexagon collar nut self-locking		2	
25	991 331 261 06	M 12 X 1,5 Cross member		1	
26	999 507 795 09	panel nut 4,8		X	
27	991 331 151 10	Side part	left	1	
(27)	991 331 152 10	Side part	right	1	
28	999 061 127 01	Threaded pin M 12 X 1,5		2	
29	999 061 124 01	Threaded pin M 10 X 1,5		2	
30	991 331 070 03	Bracket		1	Cabrio
31	900 378 180 01	Hexagon bolt AM 8 X 25		6	
32	999 073 505 01	panel screw 4,8 X 16		X	
33	991 331 047 03	Wishbone	upper	2	
34	999 217 116 01	Hexagon bolt MM 6 X 16		X	
(34)	N 909 995 02	Hex collared bolt MM 6 X 25		2	
35	991 609 407 02	Bracket	left	1	
(35)	991 609 408 02	Bracket	right	1	
36	999 073 443 01	Bolt with washer M 12 X 1,5 X 40		2	
37	991 331 329 02	Support Guide		2	
38	970 341 217 00	Eccentric bolt		2	PR:470
39	999 075 095 01	Bolt with washer M8 X 25		2	Cabrio
40	N 107 009 01	Spreader rivet		2	Coupé
41	991 331 375 00	Rubber bush Steering		2	PR:470
42	991 331 521 00	Rear axle Assembly kit Steering Rear axle comprising: Bellows ball joint Locknut clamp		2	PR:470

Model: 991T13

Model life 2014>>



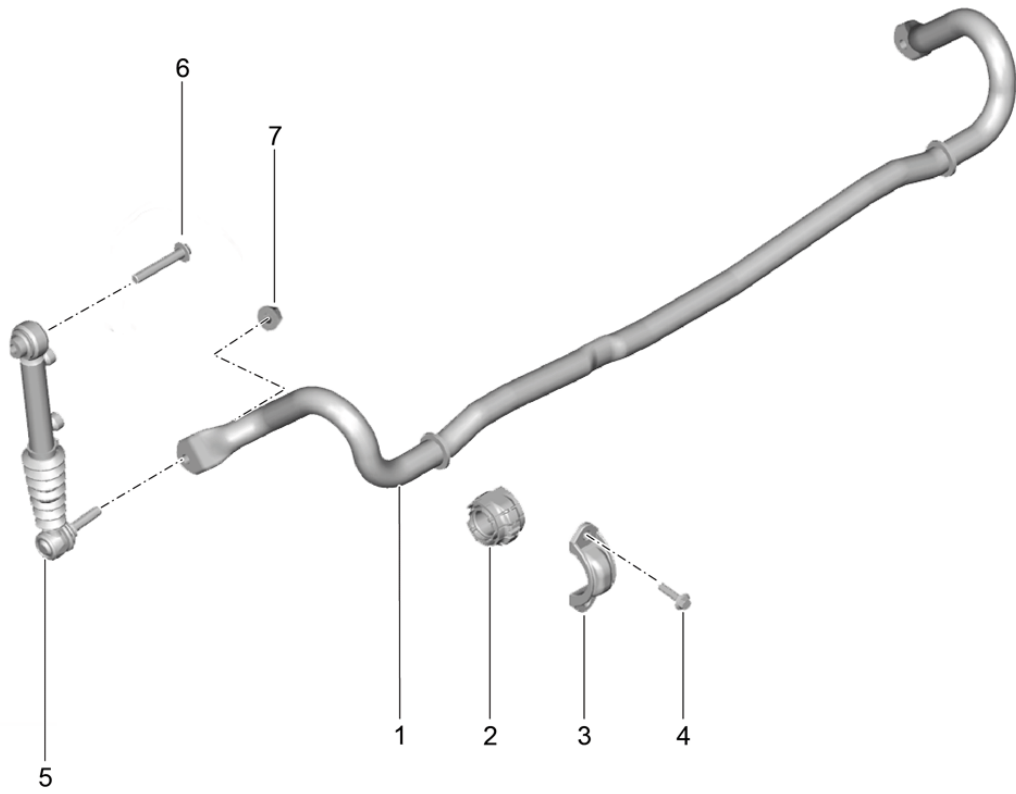
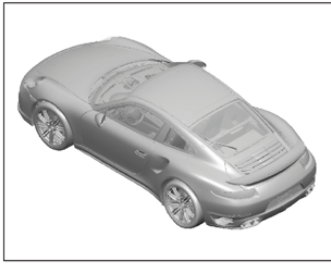
Model: 991T13

Model life 2014>>

Pos	Part Number	Description	Remark	Qty	Model
		Anti-roll bar D >> - MJ 2016			PR:475,-D97
1	991 333 705 14	Anti-roll bar		1	PR:221,250,
(1)	991 333 705 15	Anti-roll bar		1	PR:221,250, 475
2	991 333 794 11	anti-roll bar bearing bracket		2	PR:221,250, 475
3	991 333 779 00	Clamp		2	PR:475
4	900 378 297 01	Hexagon bolt M 10 X 30		4	
(4)	999 072 077 01	Hexagon bolt M 10 X 30		4	
5	991 333 071 02	Coupling rod		2	PR:475
6	900 385 009 01	Torx screw M 6 X 16		4	
7	999 084 123 09	Hexagon nut M 10	lower	2	PR:475
8	999 084 445 01	Locknut M 12 X 1,5	upper	2	

Model: 991T13

Model life 2014>>



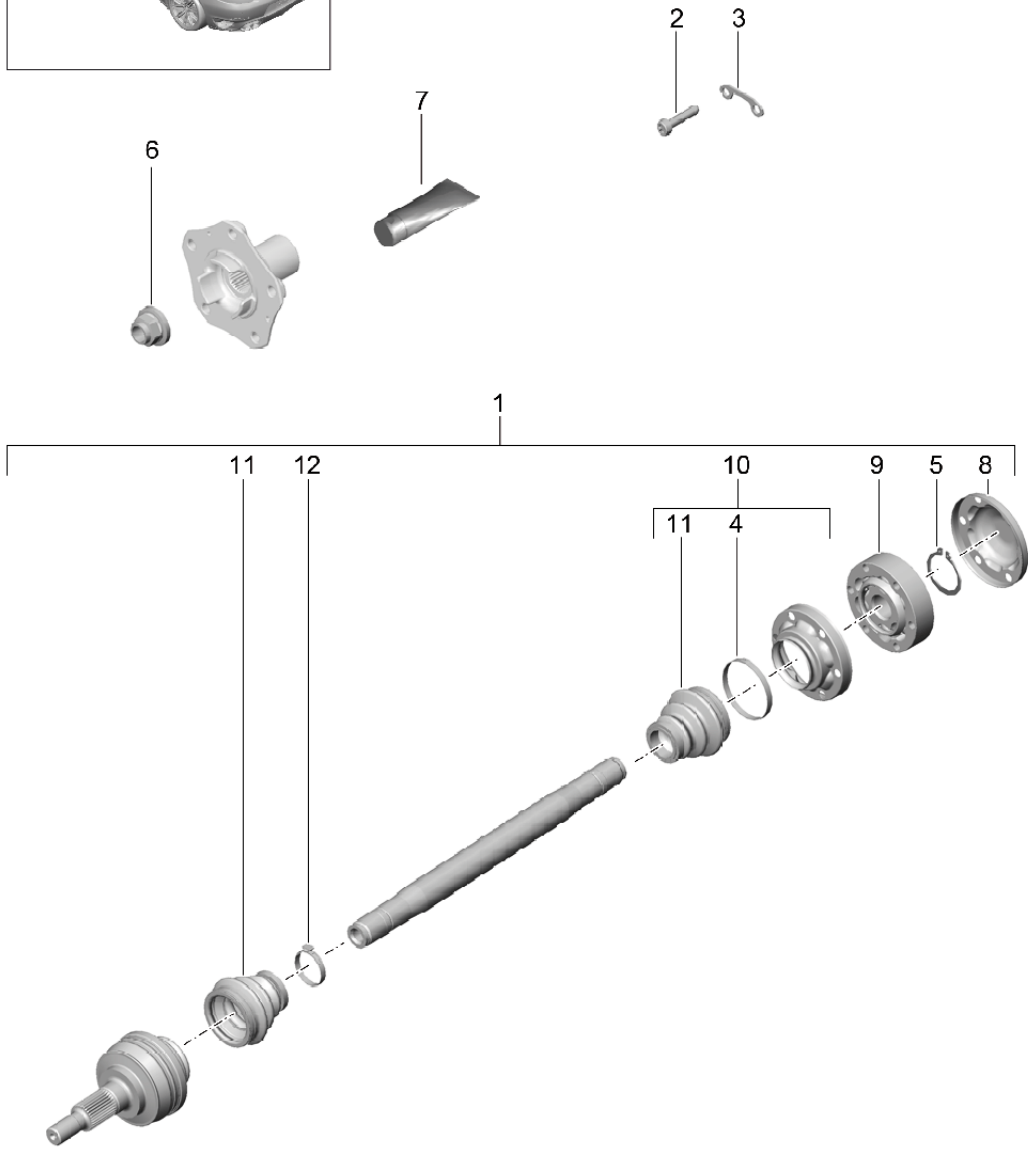
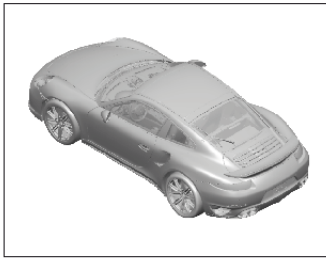
Model: 991T13

Model life 2014>>

Pos	Part Number	Description	Remark	Qty	Model
		Anti-roll bar PDCC D >> - MJ 2016			PR:031,352, -D97
1	991 333 703 12	Anti-roll bar		1	
2	991 333 797 02	anti-roll bar bearing bracket		2	
3	991 333 777 01	Clamp		2	
4	999 072 077 01	Hexagon bolt M 10 X 30		4	
5	991 359 085 03	Damper Discontinued part		2	
(5)	991 359 085 04	Damper		2	
6	999 073 530 01	Socket head bolt M 12 X 1,5 X 72		2	
7	999 084 132 01	Hexagon nut M 12		2	

Model: 991T13

Model life 2014>>



Model: 991T13

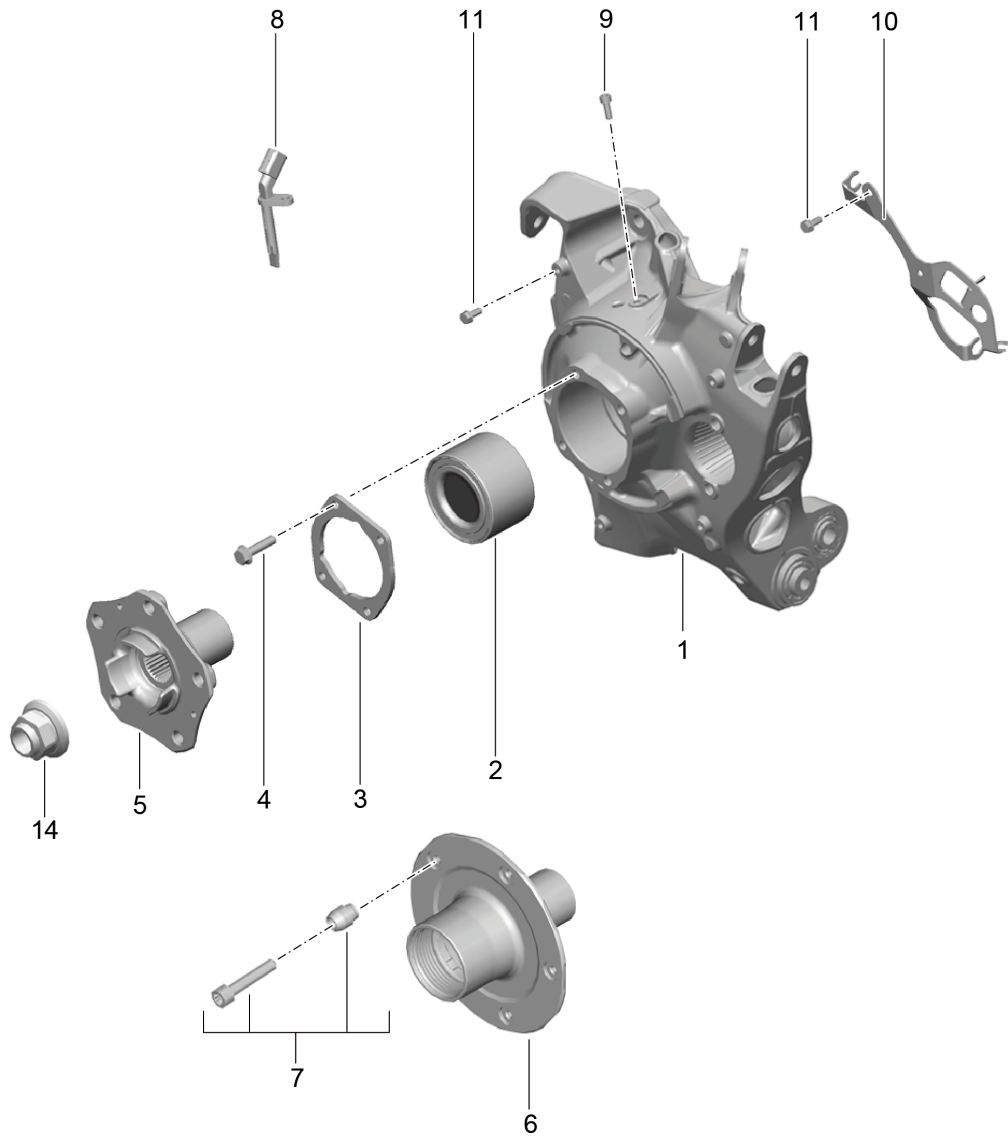
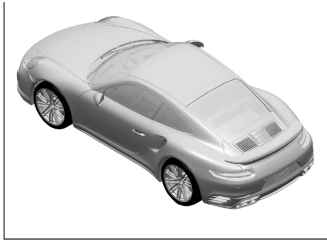
Model life 2014>>

Pos	Part Number	Description	Remark	Qty	Model
		Drive shaft D >> - MJ 2016			PR:-D97
1	991 332 024 10	Drive shaft		2	
2	999 073 517 01	Socket head bolt M 10 X 1 X 46,5		X	
3	9P1 501 375	Spacer		6	
4	996 332 957 00	Clip 73 MM		4	
5	900 041 055 01	Securing ring		4	
6	WHT 007 021	hex. nut, self-locking with washer M 22 X 1,5		2	
7	000 043 110 01	Grease 1 100-gramme tube		X	
(7)	000 043 205 36	sealant 1 100-gramme tube		X	
8	997 332 267 00	End cap		2	
9	991 332 030 10	Joint		2	
10	997 332 955 00	Bellows  with:		2	
11	996 332 293 00	Cap Dust bellows		4	
12	996 332 257 00	Clip		4	



Model: 991T13

Model life 2014>>



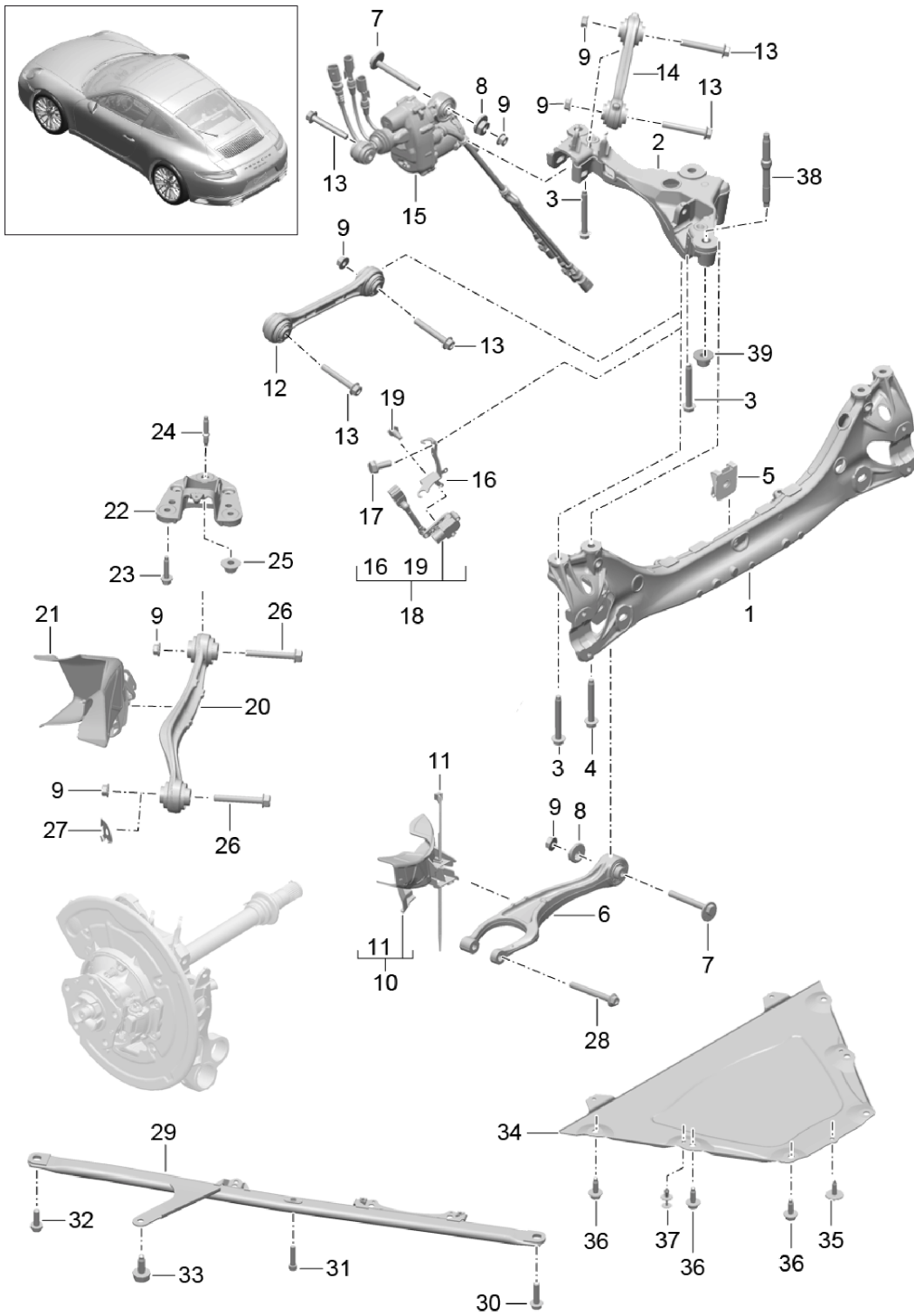
Model: 991T13

Model life 2014>>

Pos	Part Number	Description	Remark	Qty	Model
		Rear axle Wheel carrier Wheel hub D - MJ 2017>>			PR:-D97
1	991 331 611 12	Wheel carrier	left	1	
		No longer use the part here			
1	991 331 111 12	Wheel carrier	left	1	
(1)	991 331 612 12	Wheel carrier	right	1	
		No longer use the part here			
(1)	991 331 112 12	Wheel carrier	right	1	
2	298 407 621	angular ball bearing		2	
		Discontinued part			
(2)	971 407 621	angular ball bearing		2	
3	996 331 661 01	Cover		2	
4	999 217 042 03	Hexagon bolt M 8 X 35		8	
5	991 331 605 03	Wheel hub		2	PR:-478
6	991 331 607 01	Wheel hub		2	PR:478
7	991 341 901 00	1 set attachment parts		2	PR:478
8	991 606 407 01	speed sensor		2	
9	900 067 117 04	Socket head bolt M6 X 16		2	
10	991 609 401 01	bracket for speed sensor	left	1	
(10)	991 609 402 01	bracket for speed sensor	right	1	
11	999 217 116 01	Hexagon bolt M 6 X 16		4	
14	WHT 007 021	hex. nut, self-locking with washer M 22 X 1,5		2	

Model: 991T13

Model life 2014>>



Model: 991T13

Model life 2014>>

Pos	Part Number	Description	Remark	Qty	Model
		Rear axle Side part Carrier Guide D - MJ 2017>>			PR:-D97
1	9P1 505 105 B	Cross member		1	
2	991 331 151 11	Side part	left	1	
(2)	991 331 152 11	Side part	right	1	
3	999 072 875 01	Hexagon bolt M12 X 1,5 X 95		6	
4	999 072 931 01	Hexagon bolt M12 X 1,5 X 110		2	
5	999 507 795 09	panel nut		1	
6	991 331 053 21	Wishbone	lower	2	
7	970 341 217 00	Eccentric bolt M 12 X 1,5 X 97		4	
8	970 331 219 00	eccentric washer		4	
9	999 084 445 01	Locknut M 12 X 1,5		14	
10	991 331 483 04	Spoiler	left	1	
(10)	991 331 484 04	Spoiler	right	1	
11	9A7 008 379 00	Cable ties		2	
12	991 331 047 03	Wishbone	upper	2	
13	999 072 868 01	Hexagon bolt M 12 X 1,5 X 80		10	
14	991 331 061 04	Guide	upper	2	
15	991 331 057 33	Track rod Adjusting motor	left	1	PR:470
(15)	991 331 058 33	Rear axle Track rod Adjusting motor	right	1	PR:470
16	991 609 417 00	Rear axle Bracket	left	1	
(16)	991 609 418 00	Bracket	right	1	
17	999 217 116 01	Hexagon bolt		2	
18	991 333 031 00	Level sensor	left	1	
(18)	991 333 032 00	Level sensor	right	1	
19	N 104 857 03	Hexagon socket flat head bolt		4	
20	991 331 043 20	Guide	left lower	1	
(20)	991 331 044 20	Guide	right lower	1	
21	9P1 615 457 G	Spoiler	left	1	PR:-450
(21)	9P1 615 457 H	Spoiler	left	1	PR:470
(21)	9P1 615 458 G	Spoiler	right	1	PR:-450
(21)	9P1 615 458 H	Spoiler	right	1	PR:470
22	991 331 329 02	Support Guide		2	
(22)	991 331 329 03	D >> - 20.07.2017 Support Guide		2	
23	999 072 841 01	D - 21.07.2017>> Bolt with washer AM 10 X 50		4	
24	999 061 124 01	Threaded pin M 10 X 1,5		2	
25	999 076 053 01	Hexagon nut M 10		2	
25	PAF 008 868	Hexagon nut M 10		2	
26	999 072 920 01	Hexagon bolt AM 12 X 1,5 X 90		4	

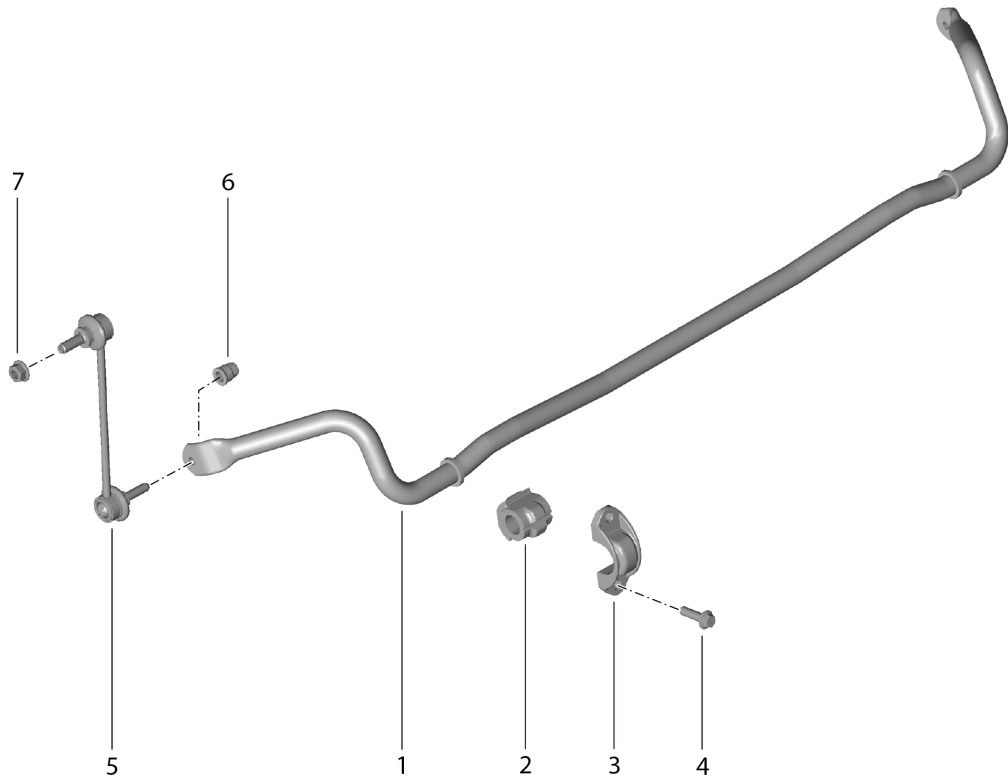
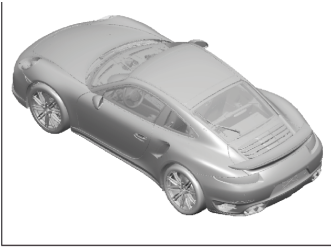
Model: 991T13

Model life 2014&gt;&gt;

Pos	Part Number	Description	Remark	Qty	Model
28	999 072 930 01	Hexagon bolt M 12 X 1,5 X 105		2	
29	991 331 081 07	Brace	left	1	
(29)	991 331 082 07	Brace	right	1	
(29)	991 331 083 07	Brace	left	1	
(29)	991 331 084 07	Brace	right	1	
30	999 072 869 01	Hexagon bolt AM 12 X 1,5 X 45		2	
31	999 510 046 01	Socket head bolt M 10 X 45		2	
32	999 073 443 01	Bolt with washer M 12 X 1,5 X 40		2	
33	999 075 095 01	Bolt with washer M 8 X 25		2	
34	991 331 070 03	Bracket		1	
35	999 073 505 01	panel screw ST 4,8 X 16		2	
36	N 019 530 8	Hex collared bolt M 8 X 25		6	
(36)	N 102 400 03	Hex collared bolt M 8 X 32		6	
(36)	N 019 530 7	Hex collared bolt M 8 X 25		6	
37	N 107 009 01	Spreader rivet 4,5 X 11,5		2	
38	999 061 127 01	Threaded pin M 12 X 1,5		2	
39	N 909 167 01	Hexagon collar nut self-locking M 12 X 1,5		2	

Model: 991T13

Model life 2014>>



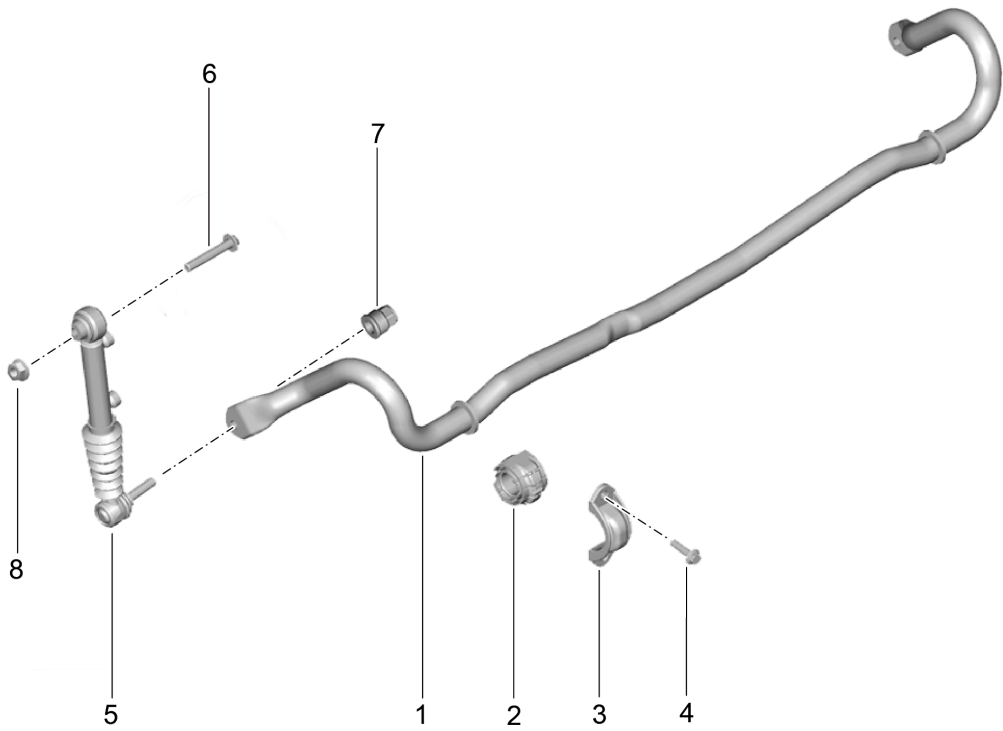
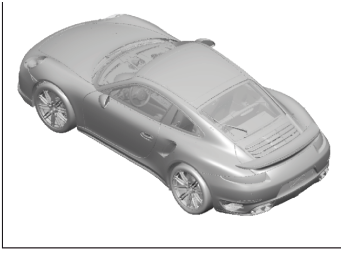
Model: 991T13

Model life 2014>>

Pos	Part Number	Description	Remark	Qty	Model
		Anti-roll bar D - MJ 2017>>			PR:-352,-D97
1	991 333 705 15	Anti-roll bar		1	PR:221,475, 250
2	991 333 794 11	anti-roll bar bearing bracket		2	
3	991 333 779 00	Clamp		2	
4	999 072 065 02	Hexagon bolt AM 10 X 40		4	
5	991 333 071 02	Coupling rod		2	
6	999 084 123 09	Hexagon nut M 10		2	
7	999 084 445 01	Locknut M 12 X 1,5		2	

Model: 991T13

Model life 2014>>





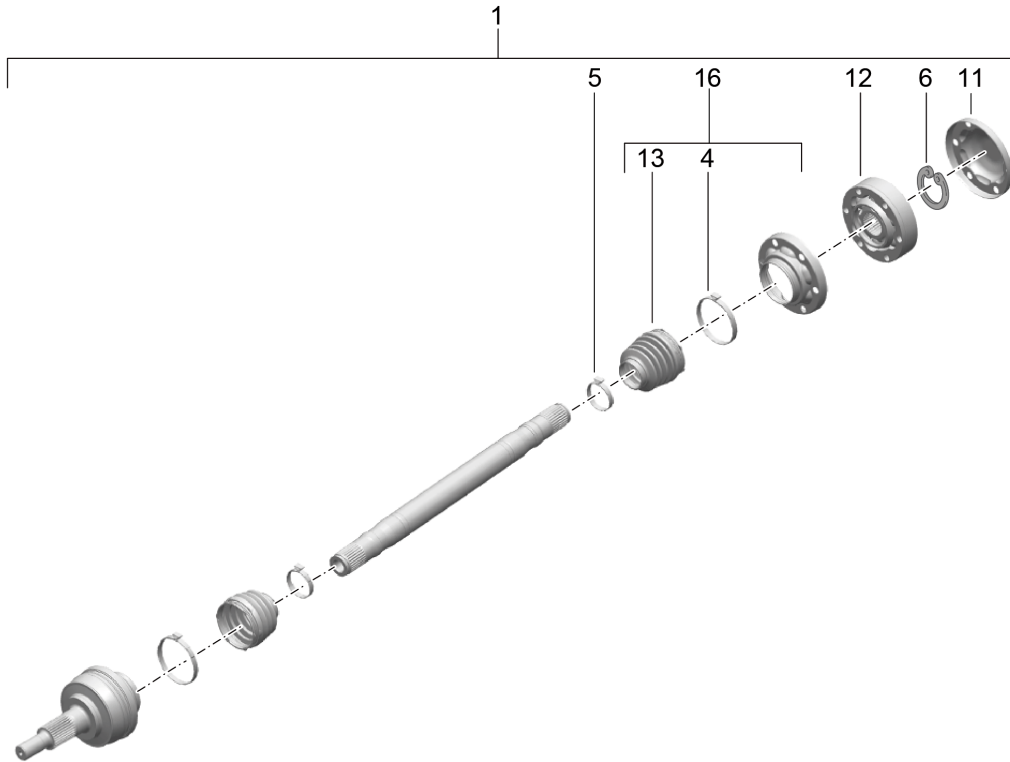
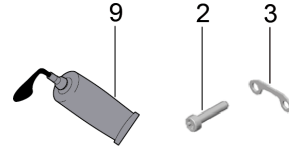
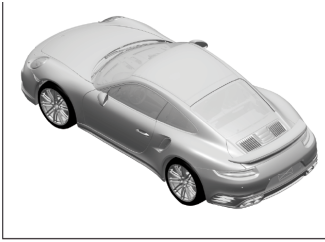
Model: 991T13

Model life 2014>>

Pos	Part Number	Description	Remark	Qty	Model
		Anti-roll bar PDCC D - MJ 2017>>			PR:352,-D97
1	991 333 703 12	Anti-roll bar		1	
2	991 333 797 02	anti-roll bar bearing bracket		2	
3	991 333 777 01	Clamp		2	
4	999 072 065 02	Hexagon bolt AM 10 X 40		4	
(5)	991 359 085 04	Damper		2	
6	999 073 530 01	Socket head bolt M 12 X 1,5 X 72		2	
7	999 084 132 01	Hexagon nut M 12		2	
8	999 084 445 01	Locknut M 12 X 1,5		2	

Model: 991T13

Model life 2014>>



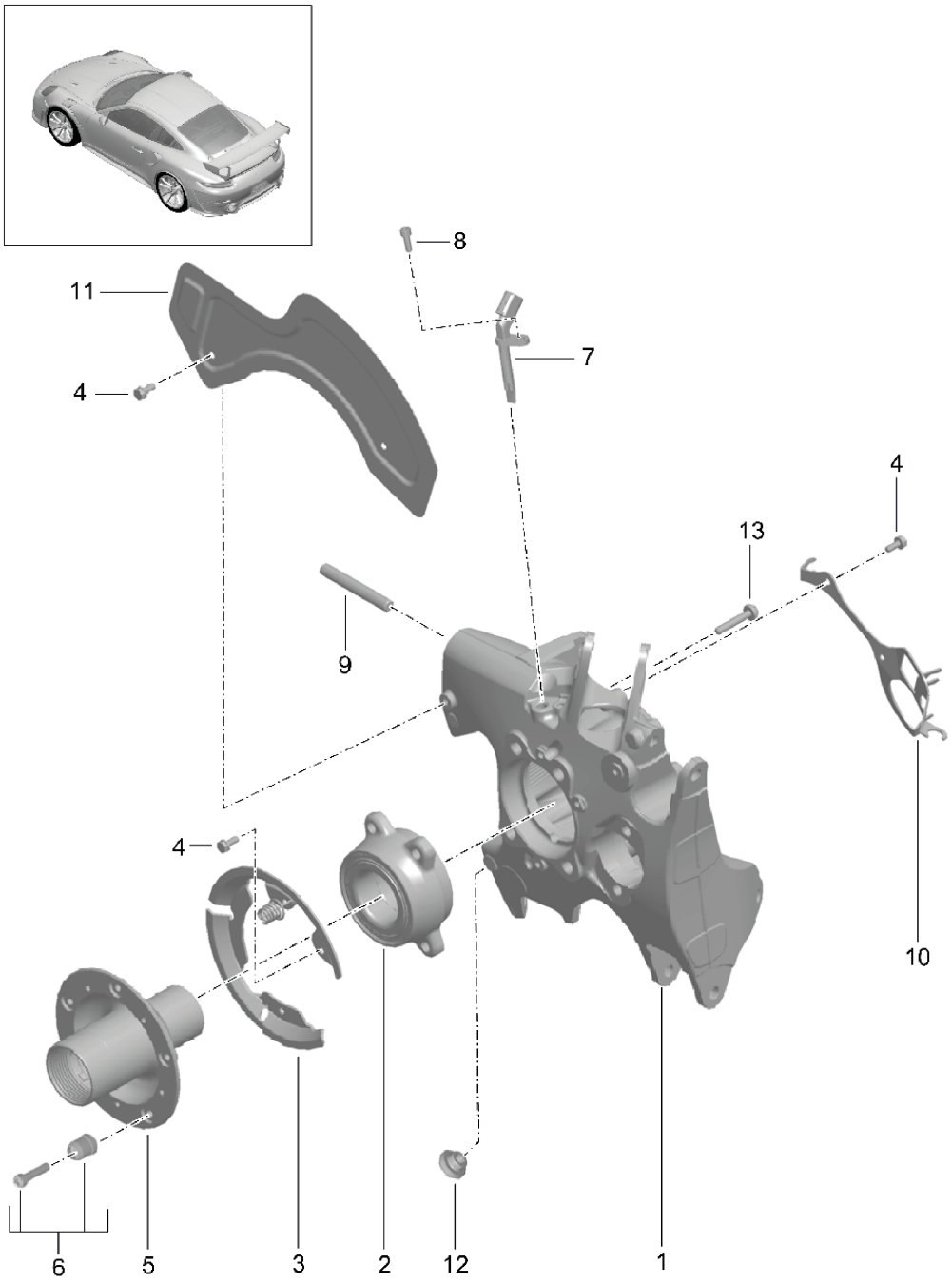
Model: 991T13

Model life 2014>>

Pos	Part Number	Description	Remark	Qty	Model
		Drive shaft			PR: -D97
		Wheel hub			
		D - MJ 2017>>			
1	991 332 024 10	Drive shaft		2	
2	999 073 517 01	Socket head bolt		12	
		M 10 X 1 X 46,5			
3	9P1 501 375	Spacer		6	
6	900 041 055 01	Securing ring		4	
11	997 332 267 00	End cap		2	
12	991 332 030 10	Joint		2	
(13)	996 332 293 00	Dust bellows		4	
14	996 332 957 00	Clip		2	
16	9P1 501 135 A	Dust bellows		2	
		with:			
		Bracket			

Model: 991T13

Model life 2014>>



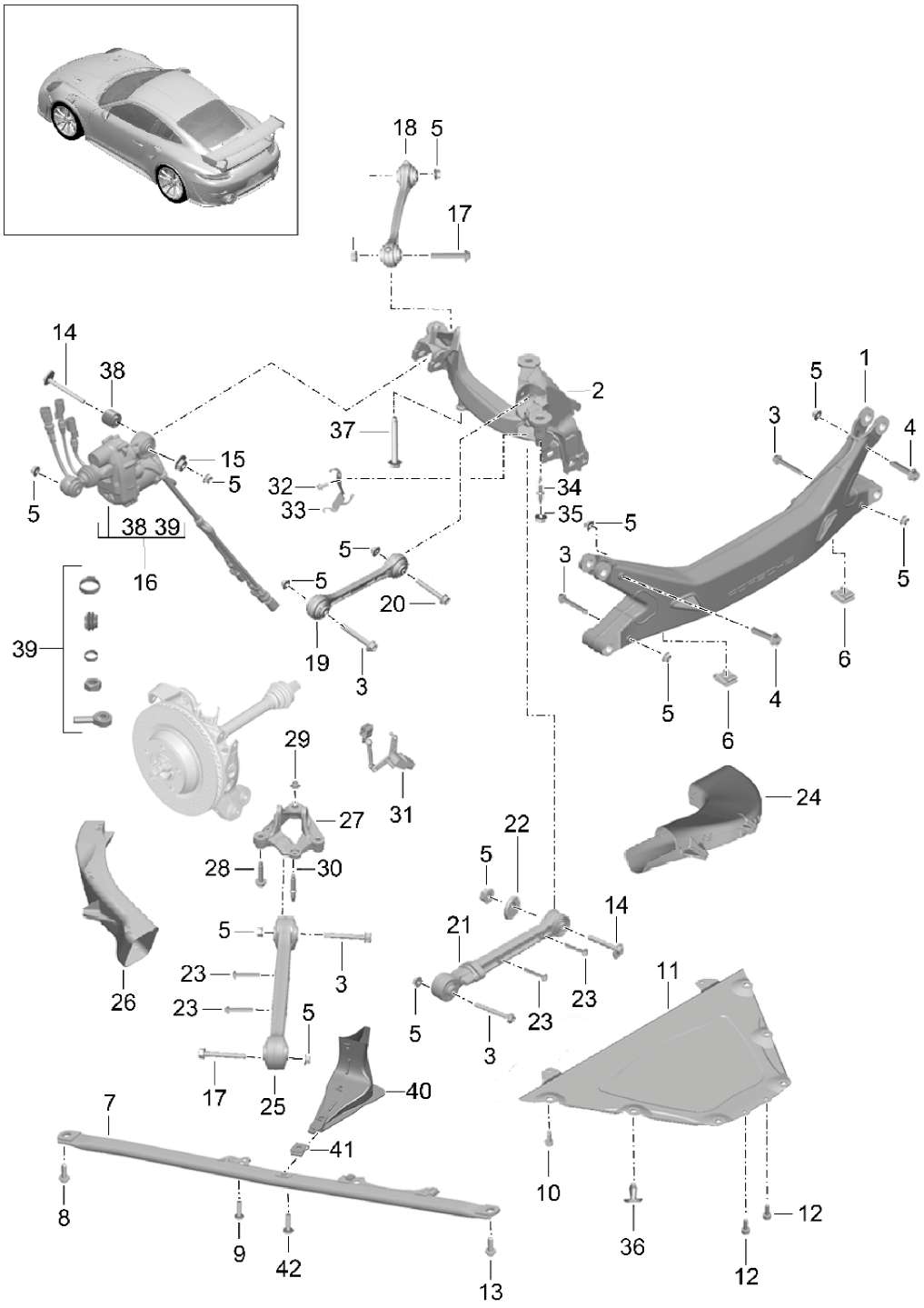
Model: 991T13

Model life 2014>>

Pos	Part Number	Description	Remark	Qty	Model
		Wheel carrier Wheel hub			PR:D97
1	991 331 611 81	Wheel carrier	left	1	
(1)	991 331 612 81	Wheel carrier	right	1	
2	958 331 583 00	angular ball bearing		2	
		also use:			
		Position 3			
3	991 352 521 80	Retaining plate	left	1	
		Parking brake			
(3)	991 352 522 80	Retaining plate	right	1	
		Parking brake			
4	999 217 116 01	Hexagon bolt M 6 X 16		14	
5	991 331 607 81	Wheel hub		2	PR:478
6	991 341 905 80	1 set attachment parts comprising: Driving pin		2	
		Socket head bolt		5	
7	991 606 407 01	speed sensor		5	
8	900 067 117 04	Socket head bolt M 6 X 16		2	
9	999 061 052 01	Threaded pin M 12 X 58		2	
10	991 609 401 81	bracket for speed sensor	left	1	
(10)	991 609 402 81	bracket for speed sensor	right	1	
11	991 352 801 80	Cover plate	left	1	
(11)	991 352 802 80	Cover plate	right	1	
12	999 500 205 01	Nut M 12 X 1,5		1	
13	WHT 004 835	Ball screw M 12 X 1,5 X 45		8	

Model: 991T13

Model life 2014>>



Model: 991T13

Model life 2014&gt;&gt;

Pos	Part Number	Description	Remark	Qty	Model
		Cross member Side part Guide			PR:D97
1	991 331 261 81	Cross member		1	
2	991 331 151 82	Side part	left	1	
(2)	991 331 152 81	Side part	right	1	
3	999 072 868 01	Hexagon bolt M 12 X 1,5 X 80		8	
4	999 072 859 01	Hexagon bolt M 12 X 58		2	
5	999 084 445 01	Locknut M 12 X 1,5		24	
6	999 507 309 02	panel nut 4,8		4	
7	991 331 087 10	Brace	left	1	
(7)	991 331 088 10	Brace	right	1	
8	999 073 443 01	Bolt with washer M 12 X 1,5 X 40		2	
9	999 073 095 01	fillister hd. bolt M 8 X 30		2	
10	N 019 530 8	Hex collared bolt M 8 X 25		6	
11	991 331 070 80	Bracket		1	
12	999 217 116 01	Hexagon bolt M 6 X 16		2	
13	999 072 869 01	Hexagon bolt AM 12 X 1,5 X 45		2	
14	970 341 217 00	Eccentric bolt M12X1,5X97		4	
15	970 331 219 00	eccentric washer		2	
16	991 331 057 85	Track rod	left	1	PR:470
(16)	991 331 058 85	Electrically adjustable Track rod	right	1	PR:470
17	999 072 086 01	Electrically adjustable Hexagon bolt M 12 X 1,5 X 75		6	
18	991 331 161 80	Guide	upper	2	
19	991 331 147 80	Wishbone	upper	2	
20	999 072 875 01	Hexagon bolt M 12 X 95		4	
21	991 331 053 82	Wishbone	lower	2	
22	996 331 219 00	eccentric washer		2	
23	999 919 197 02	fillister hd. bolt M 6 X 40		8	
24	991 575 431 80	Air guide channel Wishbone	left	1	
(24)	991 575 432 80	Air guide channel Wishbone	right	1	
25	991 331 143 82	Guide	lower	2	
26	991 331 481 81	Rear axle Brake ventilation Air duct	left	1	
(26)	991 331 482 81	Brake ventilation Air duct	right	1	
27	991 331 329 80	Support Guide	left	1	
(27)	991 331 330 80	Support Guide	right	1	
28	999 072 083 01	Bolt with washer AM 10 X 58		4	
29	999 076 053 01	Hexagon nut M 10		2	
29	PAF 008 868	Hexagon nut		2	

Model: 991T13

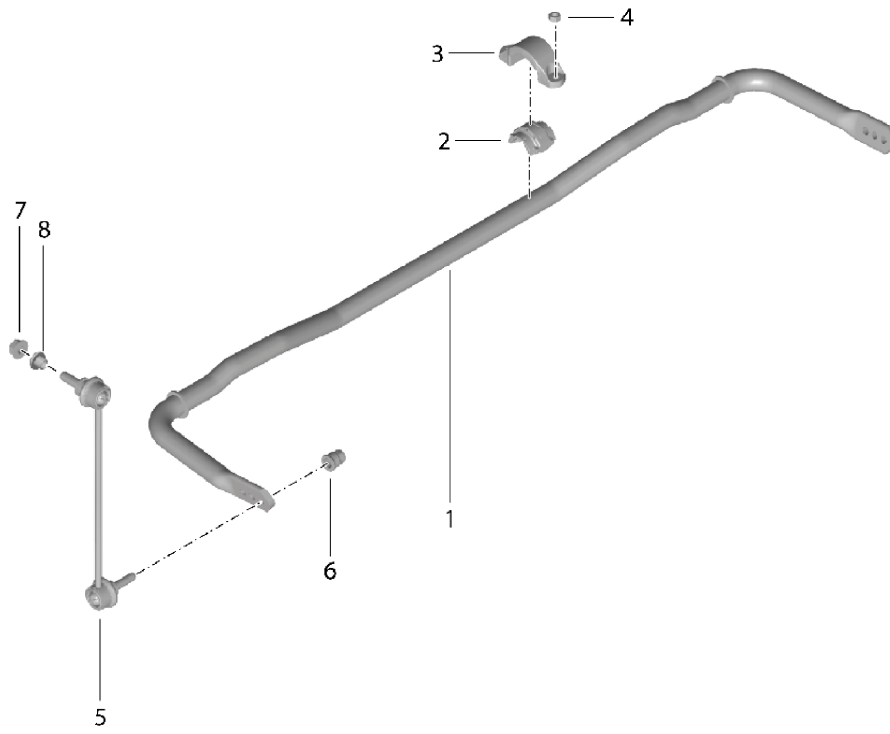
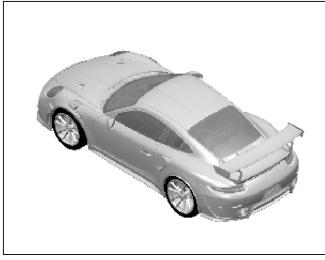
Model life 2014&gt;&gt;

Pos	Part Number	Description	Remark	Qty	Model
30	999 061 124 01	M 10 Threaded pin		2	
31	991 333 021 04	M 10 X 1,5 Level sensor		2	PR:475
32	999 217 116 01	Hexagon bolt M 6 X 16		2	
33	991 609 407 02	Bracket	left	1	
(33)	991 609 408 02	Bracket	right	1	
34	999 061 127 01	Threaded pin M 12 X 1,5		2	
35	N 909 167 01	Hexagon collar nut self-locking M 12		2	
36	N 107 009 01	Spreader rivet BD 4,5 X 11,5		2	
37	999 072 875 01	Hexagon bolt M 12 X 1.5 X 95		4	
40	991 575 117 81	Air guide Input shaft	left	1	
(40)	991 575 118 81	Air guide Input shaft	right	1	
41	N 912 425 01	clamping nut		2	
42	N 106 795 01	oval head panel screw ST 4,8 X 16		2	



Model: 991T13

Model life 2014>>



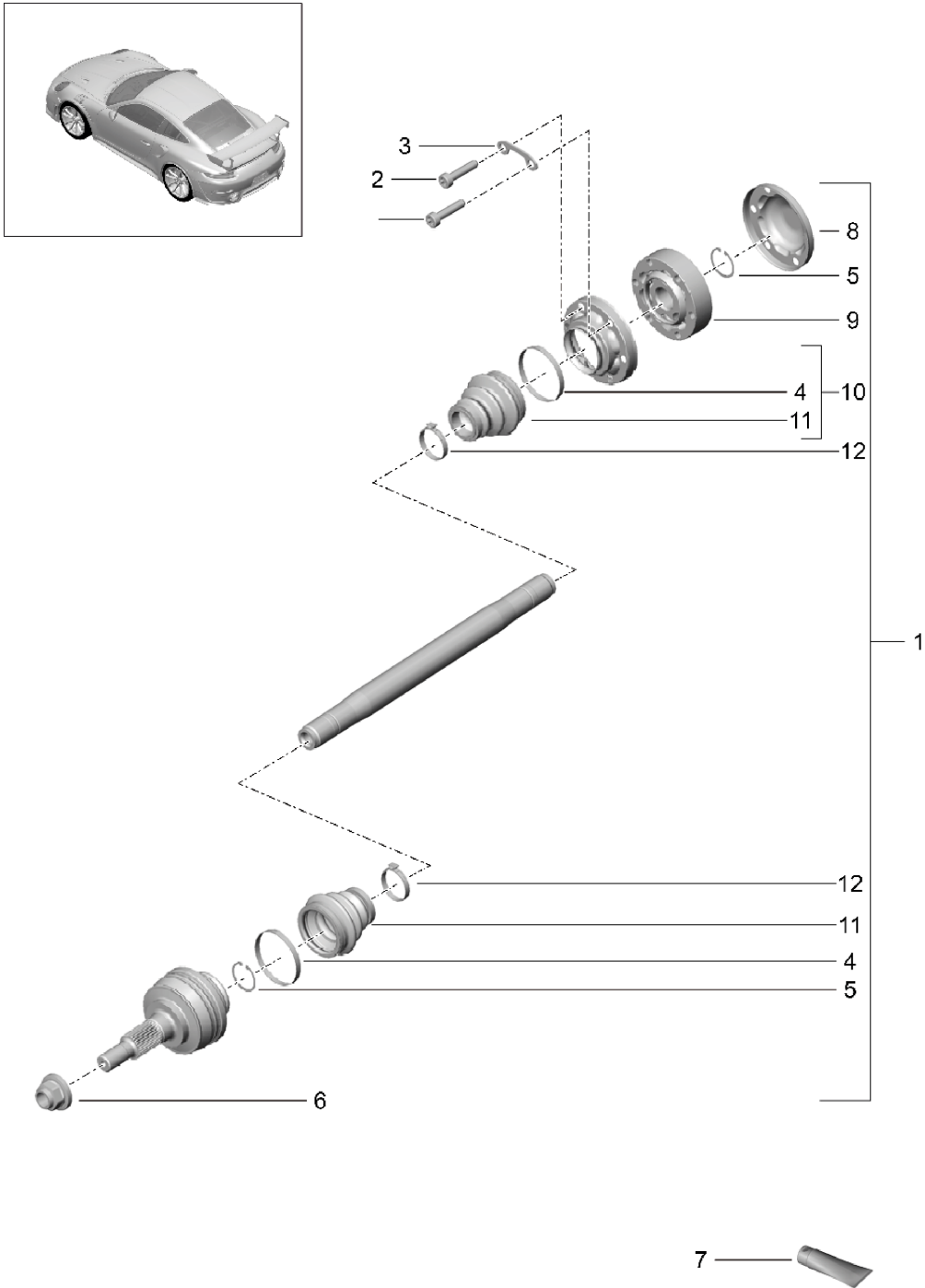
Model: 991T13

Model life 2014>>

Pos	Part Number	Description	Remark	Qty	Model
1	991 333 701 80	Anti-roll bar		1	PR:D97
(1)	9P1 511 309 A	Anti-roll bar		1	PR:-808
2	991 333 794 80	anti-roll bar bearing bracket		4	PR:808
(2)	991 333 794 90	anti-roll bar bearing bracket		4	PR:-808
3	991 333 777 80	Clamp		2	PR:808
4	900 076 064 02	Hexagon nut M 8		4	
5	991 333 071 80	Coupling rod	left	1	PR:-808
(5)	991 333 072 80	Coupling rod	right	1	PR:-808
(5)	9P1 511 467 B	Coupling rod		2	PR:808
6	999 084 123 09	Hexagon nut M 10	lower	2	
7	999 084 445 01	Locknut M 12 X 1,5	upper	2	
8	9P1 511 239	Sleeve Coupling rod	upper	2	PR:808

Model: 991T13

Model life 2014>>



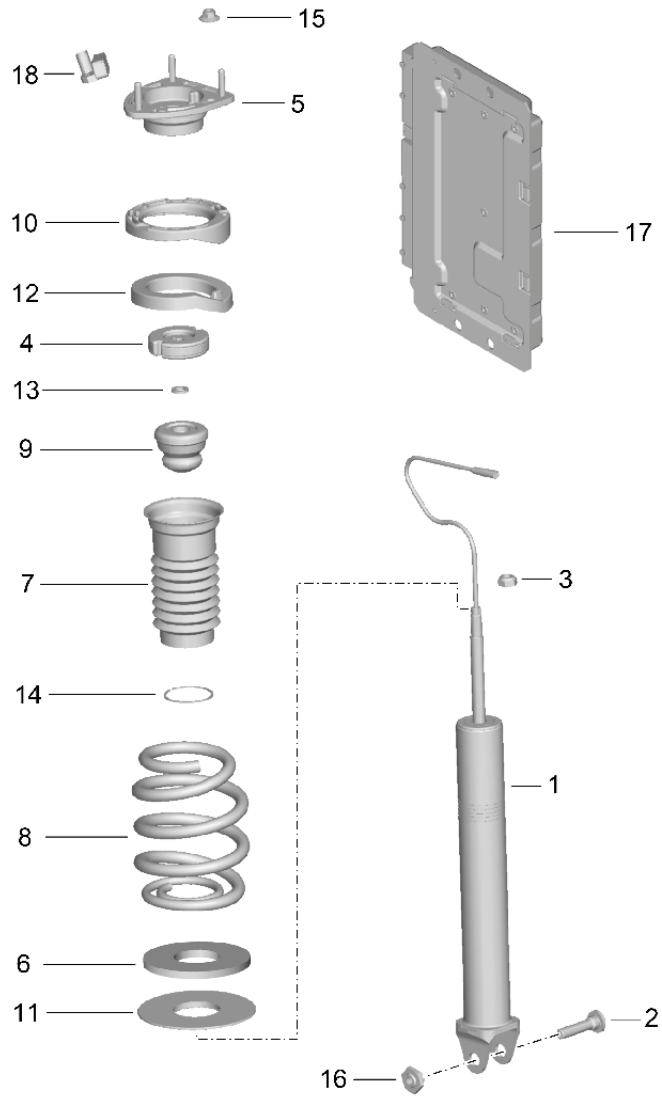
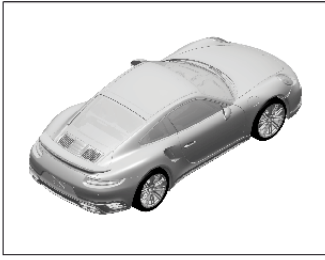
Model: 991T13

Model life 2014>>

Pos	Part Number	Description	Remark	Qty	Model
		Drive shaft			PR:D97
1	991 332 024 84	Drive shaft		2	
2	999 073 517 01	Socket head bolt M 10 X 1 X 46,5		12	
3	955 332 191 21	Spacer		6	
4	996 332 957 00	Clip 73 MM		4	
5	N 012 375 1	Securing ring		4	
6	WHT 007 021	hex. nut, self-locking with washer M 22 X 1,5 S		2	
8	997 332 267 00	End cap		2	
11	970 332 293 10	Bellows		4	

Model: 991T13

Model life 2014>>



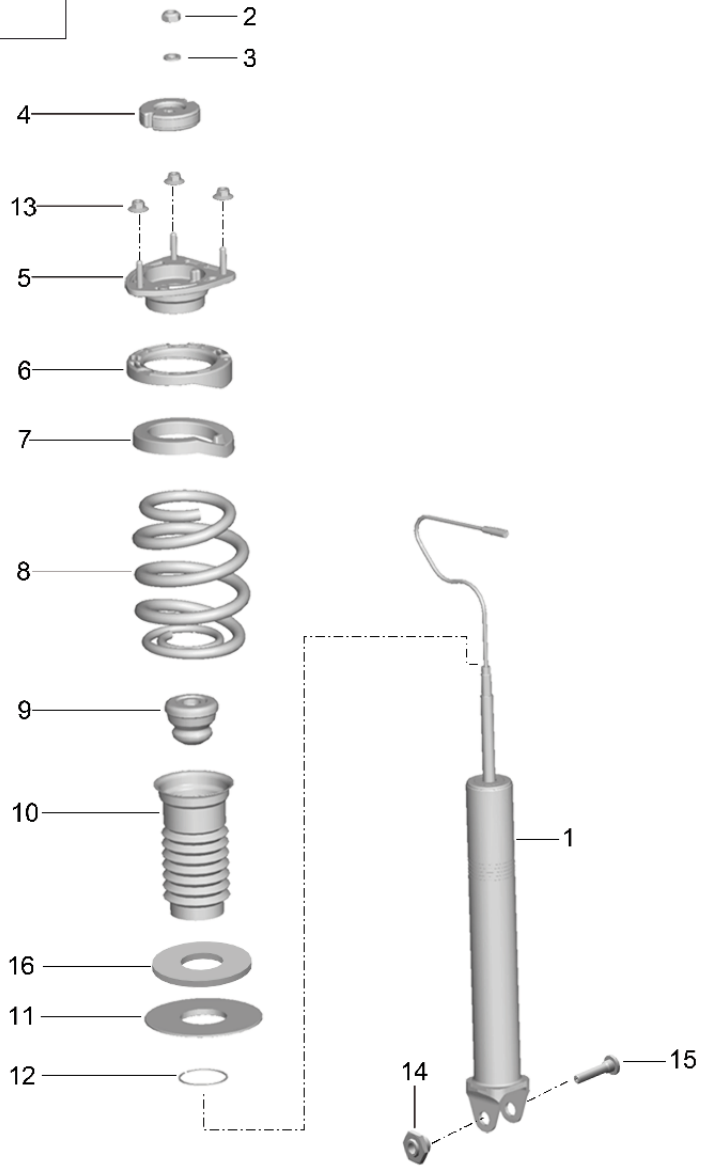
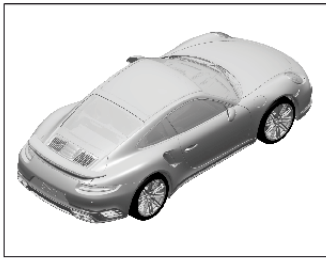
Model: 991T13

Model life 2014>>

Pos	Part Number	Description	Remark	Qty	Model
		Shock absorbers Coil spring D >> - MJ 2016			PR: 352,475, -D97
1	991 333 053 10	Shock absorbers		2	
2	991 331 230 01	Socket head bolt M 12 X 1,5		2	
3	999 084 050 02	Hexagon nut M 12		2	
4	991 333 691 00	Insert		2	
(4)	991 333 691 01	Insert		2	
5	991 333 161 01	Shock absorber bearing		2	
6	991 333 523 02	Rubber support		2	
7	991 333 107 00	Bellows		2	
8	991 333 531 12	Coil spring		2	
	991 333 531 12 504	1 pair of springs Identification: >> >> brown Light blue			
9	991 333 105 02	helper spring		2	
10	991 333 511 00	Insert	upper	2	
11	997 333 513 03	spring disc		2	
12	991 333 504 00	Rear axle shelf		2	
13	999 025 271 02	Washer 12,1 X 19,1 X 3		2	
14	999 152 163 00	snap ring		2	
15	999 084 447 01	Hexagon nut M 8		6	
15	PAF 003 923	Hexagon nut M 8		6	
16	991 331 231 00	Hexagon nut		2	
17	991 618 440 11	Control unit		1	PR: -140
(17)	991 618 450 11	Control unit		1	PR: 140
18	991 606 111 00	Acceleration sensor for bodywork		1	

Model: 991T13

Model life 2014>>



Model: 991T13

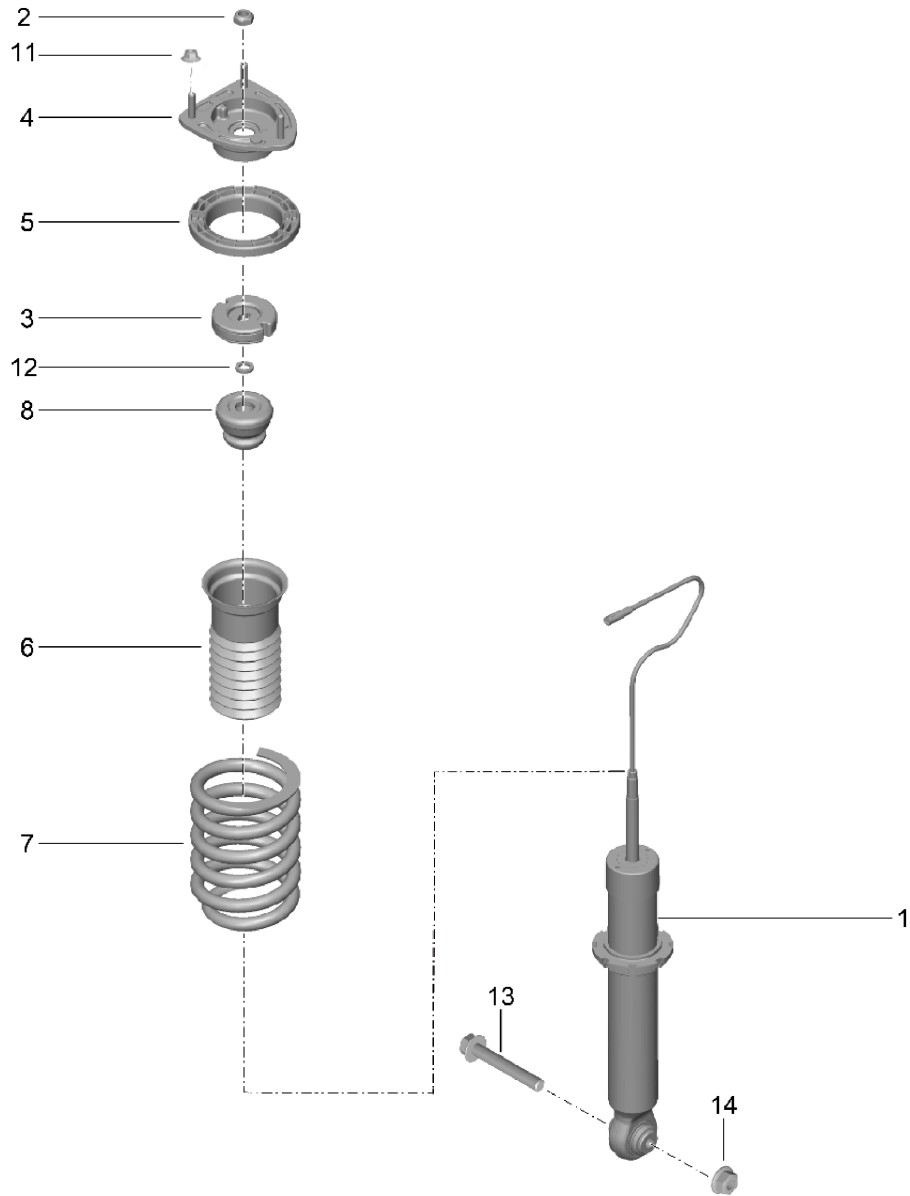
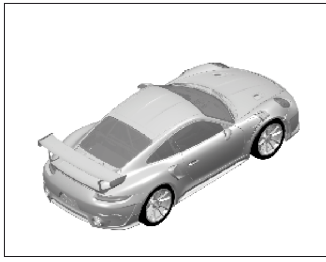
Model life 2014>>

Pos	Part Number	Description	Remark	Qty	Model
		Shock absorbers			PR: -D97
		Coil spring			
		D - MJ 2017>>			
1	991 333 053 22	Shock absorbers		2	PR: 352,475
2	999 084 050 02	Hexagon nut		2	
		M12X1			
3	999 025 271 02	Washer		2	
4	991 333 691 00	Insert		2	
(4)	991 333 691 01	Insert		2	
5	991 333 161 01	Shock absorber bearing		2	
6	991 333 511 00	Insert		2	
7	991 333 504 00	shelf	upper	2	PR: 352,475
8	991 333 531 16	Coil spring		1	PR: 352,475
	991 333 531 16 504	1 pair of springs			
		Identification: >> >>			
		brown			
		yellow-green			
9	991 333 105 02	helper spring		2	PR: 352,475
10	991 333 107 00	Bellows		2	PR: 352,475
11	997 333 513 03	spring disc	lower	2	
12	999 152 163 00	snap ring		2	
13	999 084 447 01	Hexagon nut		6	
		M 8			
13	PAF 003 923	Hexagon nut		6	
		M 8			
14	991 331 230 01	Socket head bolt		2	
		M 12 X 1,5			
15	991 331 231 00	Hexagon nut		2	
		M 12 X 1,5			
16	991 333 523 02	Rubber support		2	



Model: 991T13

Model life 2014>>



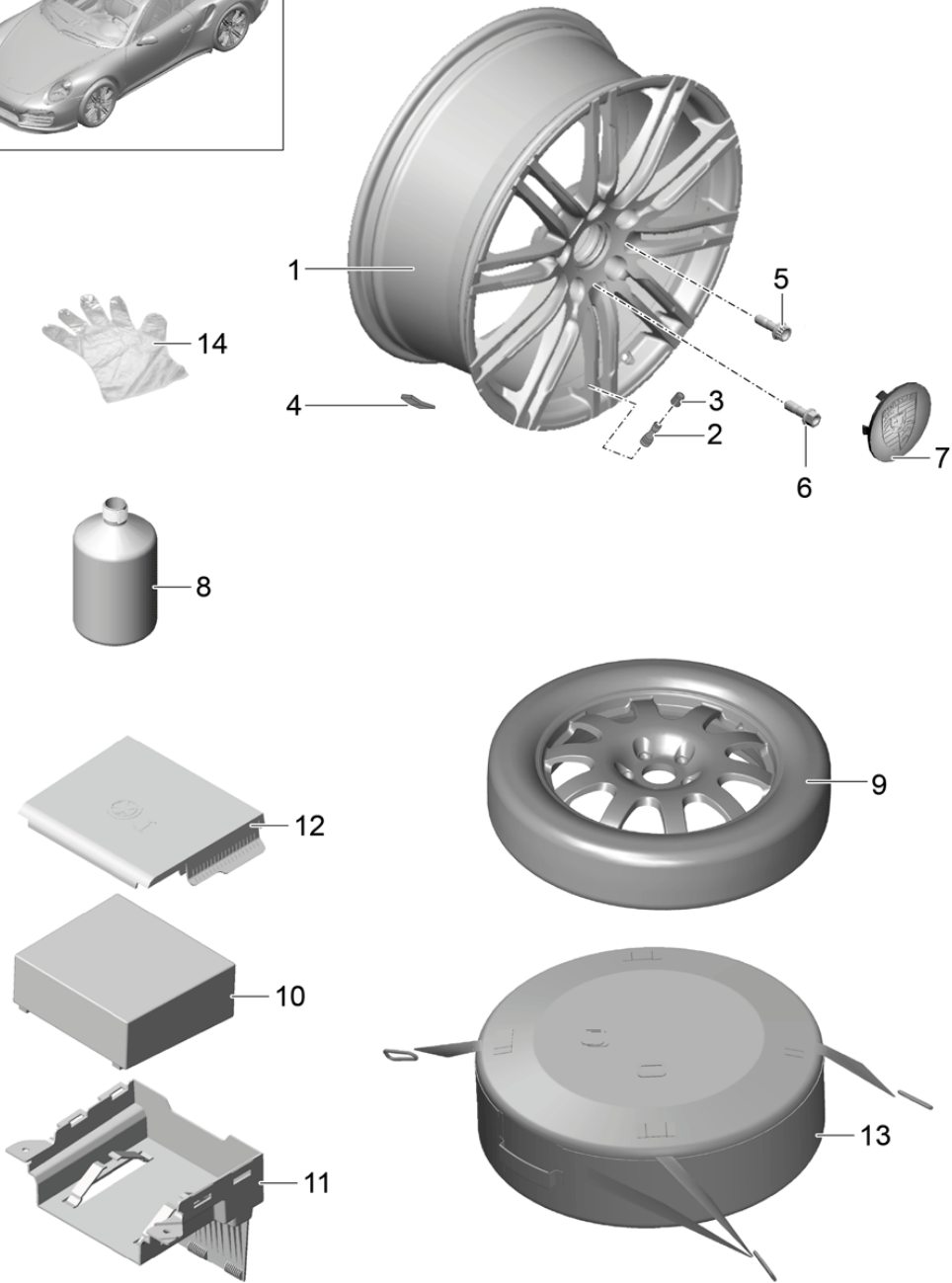
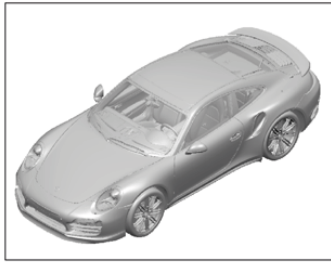
Model: 991T13

Model life 2014>>

Pos	Part Number	Description	Remark	Qty	Model
		Shock absorbers			PR:D97
		Coil spring			
1	991 333 051 72	Shock absorbers		2	PR:475
2	WHT 008 558	Hexagon nut		2	
		M 12 X 1			
4	991 333 061 80	Shock absorber bearing		2	PR:475
5	991 333 504 82	shelf	upper	2	
6	991 333 107 82	Bellows		2	
7	991 333 531 70	Coil spring		1	PR:475
	991 333 531 70 504	Coil spring			
8	991 333 105 70	helper spring		2	
9	991 333 511 71	Intermediate ring		2	
10	997 333 537 82	helper spring		2	
11	999 084 447 01	Hexagon nut		6	
		M 8			
11	PAF 003 923	Hexagon nut		6	
		M 8			
12	WHT 008 575	Washer		2	
		12,1X19,5X3			
13	999 084 445 01	Locknut		2	
		M 12 X 1,5			
14	999 072 868 01	Hexagon bolt		2	
		M 12 X 1,5 X 80			

Model: 991T13

Model life 2014>>



Model: 991T13

Model life 2014>>

Pos	Part Number	Description	Remark	Qty	Model
		Wheels D >> - MJ 2016			PR:-478,-D97
1	991 362 161 06	Alloy wheel	front	2	
	991 362 161 06 OC6	Titanium			PR:340,429
	991 362 161 06 041	Black	Dark		PR:XDG,429
		8,5 J X 20 ET 51			
(1)	991 362 166 06	Alloy wheel	rear	2	PR:340,429
	991 362 166 06 OC6	Discontinued part Titanium	Dark		
		11 J X 20 ET 59			
(1)	991 362 166 09	Alloy wheel	rear	2	PR:340,429
	991 362 166 09 OC6	Titanium	Dark		
		11 J X 20 ET 56			
(1)	991 362 166 09	Alloy wheel	rear	2	PR:XDG,429
	991 362 166 09 041	Black			
		11 J X 20 ET 56			
(1)	991 362 162 41	Alloy wheel	front	2	PR:XRU, XD9, 340
	991 362 162 41 M7Z	GT Silver Metallic			
		9 J X 20 ET 51			
(1)	991 362 162 41	Alloy wheel	front	2	PR:XDG, XRU
	991 362 162 41 041	Black			
		9 J X 20 ET 51			
(1)	991 362 167 42	Alloy wheel	rear	2	PR:340, XRU, XD9
	991 362 167 42 M7Z	GT Silver Metallic			
		11,5 J X 20 ET 56			
(1)	991 362 167 42	Alloy wheel	rear	2	PR:XDG, XRU
	991 362 167 42 041	Black			
		11,5 J X 20 ET 56			
2	900 265 001 51	Rubber valve		4	
		Discontinued part			
2	311 601 361	Rubber valve		4	
3	WHT 006 913	Valve cap for valve unit for		4	
		Rubber valve			
4	997 361 405 00	Balancer weight (self-adhesive) silver		X	
(4)	9P1 601 179	Balancer weight (self-adhesive) Black		X	
(4)	997 361 410 00	Balancer weight (self-adhesive) silver		X	
(4)	9P1 601 181	Balancer weight (self-adhesive) Black		X	
(4)	997 361 415 00	Balancer weight (self-adhesive) silver		X	
(4)	9P1 601 182	Balancer weight (self-adhesive) Black		X	

Model: 991T13

Model life 2014>>

Pos	Part Number	Description	Remark	Qty	Model
(4)	997 361 420 00	Balancer weight (self-adhesive) silver		X	
(4)	9P1 601 183	Balancer weight (self-adhesive) Black		X	
(4)	997 361 425 00	Balancer weight (self-adhesive) silver		X	
(4)	9P1 601 184	Balancer weight (self-adhesive) Black		X	
(4)	997 361 430 00	Balancer weight (self-adhesive) silver		X	
(4)	9P1 601 185	Balancer weight (self-adhesive) Black		X	
(4)	997 361 435 00	Balancer weight (self-adhesive) silver		X	
(4)	9P1 601 186	Balancer weight (self-adhesive) Black		X	
(4)	997 361 440 00	Balancer weight (self-adhesive) silver		X	
(4)	9P1 601 187	Balancer weight (self-adhesive) Black		X	
(4)	997 361 445 00	Balancer weight (self-adhesive) silver		X	
(4)	9P1 601 188	Balancer weight (self-adhesive) Black		X	
(4)	997 361 450 00	Balancer weight (self-adhesive) silver		X	
(4)	9P1 601 189	Balancer weight (self-adhesive) Black		X	
(4)	997 361 455 00	Balancer weight (self-adhesive) silver		X	
(4)	9P1 601 190	Balancer weight (self-adhesive) Black		X	
(4)	997 361 460 00	Balancer weight (self-adhesive) silver		X	
(4)	9P1 601 191	Balancer weight (self-adhesive) Black		X	
(4)	997 361 465 00	Balancer weight (self-adhesive) silver		X	
(4)	9P1 601 192	Balancer weight (self-adhesive) Black		X	
(4)	997 361 470 00	Balancer weight (self-adhesive) silver		X	

Model: 991T13

Model life 2014>>

Pos	Part Number	Description	Remark	Qty	Model
(4)	9P1 601 193	Balancer weight (self-adhesive) Black		X	
(4)	997 361 475 00	Balancer weight (self-adhesive) silver		X	
(4)	9P1 601 194	Balancer weight (self-adhesive) Black		X	
(4)	997 361 480 00	Balancer weight (self-adhesive) silver		X	
(4)	9P1 601 195	Balancer weight (self-adhesive) Black		X	
(4)	997 361 485 00	Balancer weight (self-adhesive) silver		X	
(4)	9P1 601 196	Balancer weight (self-adhesive) Black		X	
(4)	997 361 490 00	Balancer weight (self-adhesive) silver		X	
(4)	9P1 601 197	Balancer weight (self-adhesive) Black		X	
5	WHT 006 979 A	1 set wheel studs, anti-theft Black		1	PR:-444
(5)	WHT 006 980 A	1 set wheel studs, anti-theft Black		1	PR:444
(5)	WHT 006 980 C	Discontinued part 1 set wheel studs, anti-theft Black		1	PR:444
6	WHT 006 978	Wheel bolt Black		X	
7	7PP 601 149 F	Hub cap Discontinued part	Concave Single colour	4	PR:-446,429, 340
(7)	7PP 601 149 H	Hub cap	Concave Single colour	4	PR:-446,429, 340
(7)	7PP 601 149 G	Hub cap	Concave Multi-coloured	4	PR:446,429, XDG,340
(7)	9P1 601 149 A	Hub cap		4	PR:XRU,340, 446
(7)	9P1 601 149 A M7Z 958 361 303 03	Silver metallic Hub cap Porsche crest Black	Round Convex Multi-coloured	4	PR:XDG,XRU, 446
8	4L0 012 619 A	Tyre sealant		1	
9	991 362 050 00	Spare wheel		1	PR:447
10	997 652 055 00	Compressor for Spare wheel		1	PR:447
		also use:	991 555 575 02 (1E0)	1	
10	5N0 012 615 A	No longer use the part here Air compressor for Spare wheel		1	PR:447
		also use:	991 555 575 03	1	

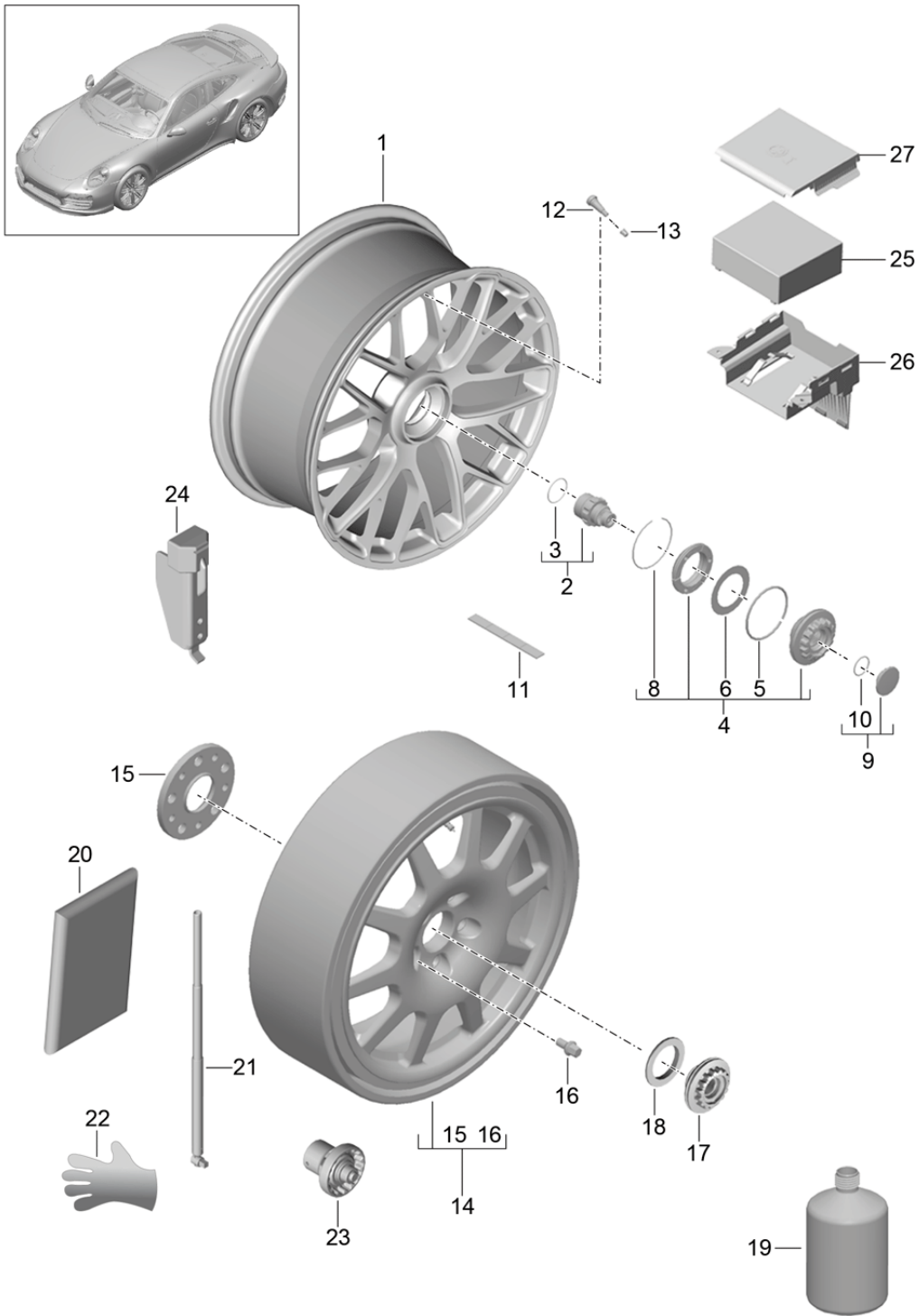
Model: 991T13

Model life 2014>>

Pos	Part Number	Description	Remark	Qty	Model
(10)	5N0 012 615 C	Discontinued part Air compressor for Spare wheel	(1E0)	1	PR:447
		also use:	991 555 575 04 (1E0)	1	
11	991 555 575 02 991 555 575 02 1E0	Bracket for compressor Black for Compressor 997.652.055.00		1	PR:447
(11)	991 555 575 03 991 555 575 03 1E0	Bracket for compressor Black for Compressor 5N0.012.615.A		1	PR:447
12	991 555 765 01 991 555 765 01 1E0	Cover Black for Compressor 997.652.055.00		1	PR:447
(12)	991 555 765 02 991 555 765 02 1E0	Cover Black for Compressor 5N0.012.615.A		1	PR:447
13	996 361 521 00	Protective sleeve for Spare wheel		1	PR:447
14	999 914 001 40	Plastic gloves No longer use the part here		X	

Model: 991T13

Model life 2014>>





Model: 991T13

Model life 2014>>

Pos	Part Number	Description	Remark	Qty	Model
		Wheels			PR:478,-D97
		Central locking			
		D >> - MJ 2016			
1	991 362 162 34	Alloy wheel with central locking	front	2	PR:-193,435,340
	991 362 162 34 041	Black			
		9 J X 20			
		ET 51			
(1)	991 362 161 34	Alloy wheel with central locking	front	2	PR:193,435,340
	991 362 161 34 041	Black			
		8,5 J X 20			
		ET 51			
(1)	991 362 161 34	Alloy wheel with central locking	front	2	PR:435
	991 362 161 34 041	Black			
		8,5 J X 20			
		ET 51			
(1)	991 362 167 34	Alloy wheel with central locking	rear	2	PR:-193,435
	991 362 167 34 041	Black			
		11,5 J X 20			
		ET 56			
(1)	991 362 166 34	Alloy wheel with central locking	rear	2	PR:193,435,340
	991 362 166 34 041	Black			
		11 J X 20			
		ET 59			
(1)	991 362 166 34	Alloy wheel with central locking	rear	2	PR:435
	991 362 166 34 041	Black			
		11 J X 20			
		ET 59			
2	991 341 251 00	Locking mechanism		2	
3	999 707 012 40	O-ring		4	
		37 X 2,5 N			
4	991 361 081 90	Wheel bolt		4	
5	999 707 663 40	O-ring		4	
		90,00 X 4			
6	991 361 189 00	Washer		4	
8	997 361 187 00	Securing ring		4	
		2,0			
9	991 361 207 10	Hub cap		4	PR:435
		Central locking			
10	999 701 045 40	O-ring		4	
		32 X 2,0 N			
11		Balancer weight (self-adhesive)		X	
			601-000		
		see illustration:			
12	900 265 001 51	Rubber valve		4	
		Discontinued part			
12	311 601 361	Rubber valve		4	
13	WHT 006 913	Valve cap for valve unit		4	PR:UX5,447
		Black			
14	991 362 021 00	Spare wheel		1	PR:447
15	991 362 191 00	Adapter		1	PR:447,478
		Spare wheel			
16	991 361 209 00	Wheel bolt		5	PR:447,478
		Adapter			
17	991 361 181 50	Wheel bolt		1	
		Central locking			

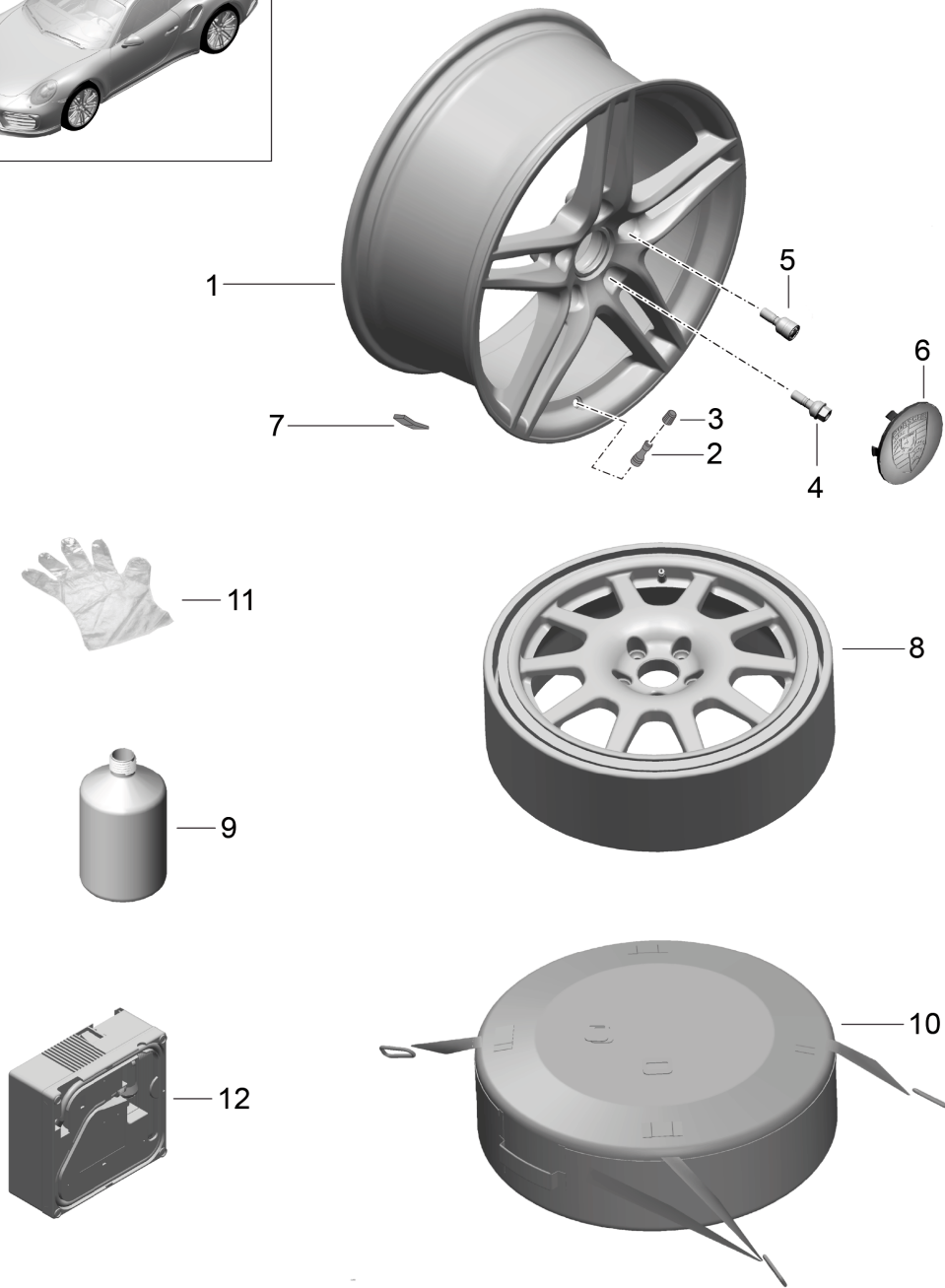
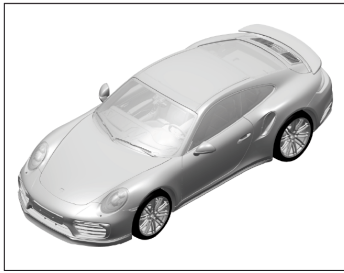
Model: 991T13

Model life 2014>>

Pos	Part Number	Description	Remark	Qty	Model
18	991 362 193 00	Spare wheel Shim		1	
(18)	991 362 195 00	Front axle Shim		1	
19	4L0 012 619 A	Rear axle Tyre sealant		1	
20	996 361 521 00	Protective sleeve Spare wheel		1	
21	997 361 161 00	Extension Spare wheel		1	
22	999 914 001 40	Plastic gloves No longer use the part here		1	
23	991 361 069 00	Tool for Wheel bolt		1	
24	991 361 079 00	release tool		1	
25	997 652 055 00	Compressor for Spare wheel		1	PR:447
		also use:	991 555 575 03 (1E0)	1	
			991 555 765 02 (1E0)	1	
(25)	5N0 012 615 A	D >> - MJ 2015 No longer use the part here Air compressor for Spare wheel		1	PR:447
(25)	5N0 012 615 C	D - MJ 2016>> Discontinued part Air compressor for Spare wheel		1	PR:447
26	991 555 575 03	D - MJ 2016>> Bracket for compressor		1	PR:447
	991 555 575 03 1E0	D - MJ 2016>> Black for Compressor		1	
27	991 555 765 02	Cover D - MJ 2016>>		1	PR:447
	991 555 765 02 1E0	Black for Compressor		1	

Model: 991T13

Model life 2014>>



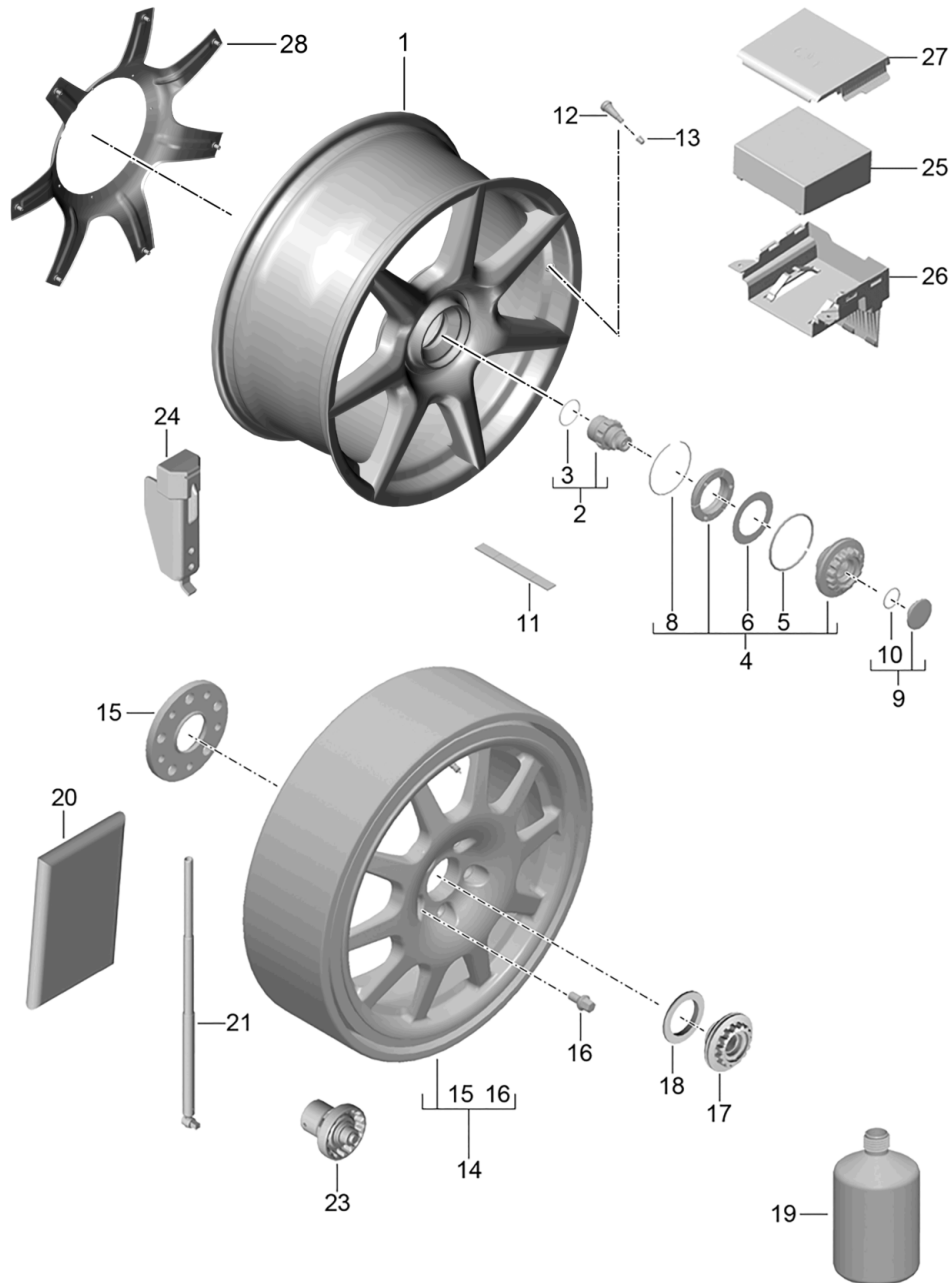
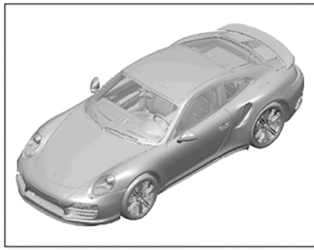
Model: 991T13

Model life 2014>>

Pos	Part Number	Description	Remark	Qty	Model
		Wheels			PR:-478,-D97
1	991 362 720 00	D - MJ 2017>> Alloy wheel	front	2	PR:439
		9JX20			
		ET 51			
	991 362 720 00 041	Black			PR:XDG
	991 362 720 00 OC6	Titanium			PR:340
(1)	991 362 162 41	Alloy wheel	front	2	PR:XRU
		9JX20			
		ET 51			
	991 362 162 41 041	Black			PR:XDG
	991 362 162 41 M7Z	GT Silver Metallic			PR:340
(1)	991 362 761 01	Alloy wheel	rear	2	PR:439
		11,5JX20			
		ET 56			
	991 362 761 01 041	Black			PR:XDG
	991 362 761 01 OC6	Titanium			PR:340
(1)	991 362 167 42	Alloy wheel	rear	2	PR:XRU
		11,5JX20			
		ET 56			
	991 362 167 42 041	Black			PR:XDG
	991 362 167 42 M7Z	GT Silver Metallic			PR:340
2	900 265 001 51	Rubber valve		4	PR:477
		Discontinued part			
2	311 601 361	Rubber valve		4	PR:477
3	WHT 006 913	Valve cap for		4	PR:UX5,447,
		valve unit			UX7,482,483
4	WHT 006 978	Wheel bolt		16	PR:-478
		M 14 X 1,5 X 44			
5	WHT 006 979 A	1 set wheel studs,		1	PR:-444,-478
		anti-theft			
		Black			
(5)	9A7 006 980 00	1 set wheel studs,		1	PR:444,-478
		anti-theft			
		Black			
6	7PP 601 149 H	Hub cap		4	PR:340,439,
		Concave			-446
		Porsche crest			
		Black			
(6)	7PP 601 149 J	Hub cap		4	PR:340,439,
		Concave			446
		Porsche crest			
		Coloured			
(6)	9P1 601 149 A	Hub cap		4	PR:340,XRU,
		Convex			446
		Porsche crest			
		Coloured			
	9P1 601 149 A M7Z	Silver metallic			
(6)	958 361 303 03	Hub cap		4	PR:XDG,XRU,
		Convex			446
		Porsche crest			
		Coloured			
		Black			
8	991 362 050 00	Spare wheel		1	PR:447,-478
9	4L0 012 619 B	Tyre sealant		1	
10	996 361 521 00	Protective sleeve		1	PR:447
		Spare wheel			
11	999 914 001 40	Plastic gloves		1	PR:447
		No longer use the part here			
12	5N0 012 615 C	Air compressor		1	
		Spare wheel			

Model: 991T13

Model life 2014>>



Model: 991T13

Model life 2014&gt;&gt;

Pos	Part Number	Description	Remark	Qty	Model
		Wheels Central locking D - MJ 2017>>			PR:478,-D97
(1)	991 362 721 00	Alloy wheel 9JX20 ET 51	front	2	PR:449
(1)	991 362 721 00 041	Black			PR:340
(1)	991 362 771 00	Alloy wheel 11,5JX20 ET 56	rear	2	PR:449
(1)	991 362 771 00 041	Black			PR:340
(1)	991 362 730 00	Alloy wheel 9JX20 ET 51	front	2	PR:XDG,XGR
(1)	991 362 730 00 041	Black			PR:XDG
(1)	991 362 780 00	Alloy wheel 11,5JX20 ET 56	rear	2	PR:XDG,XGR
(1)	991 362 780 00 041	Black			PR:XDG
(1)	991 364 730 00	Alloy wheel 9JX20 ET 51	front	2	PR:340,XGR
(1)	991 364 730 00 KAZ	Black/Gold-yellow			PR:340
(1)	991 364 780 00	Alloy wheel 11,5JX20 ET 56	rear	2	PR:340,XGR
(1)	991 364 780 00 KAZ	Black/Gold-yellow			PR:340
(1)	991 362 723 01	Carbon rim 9JX20 ET 51	front	2	PR:468,340
(1)	991 362 723 01 A3G	When ordering, provide vehicle identification number. Carbon Gloss Black			PR:340
(1)	991 362 773 01	Carbon rim 11,5JX20 ET 56	rear	2	PR:468,340
(1)	991 362 773 01 A3G	When ordering, provide vehicle identification number. Carbon Gloss Black			PR:340
2	991 341 251 02	Locking mechanism		2	
3	999 707 012 40	O-ring 37 X 2,5		4	
4	991 361 081 90	Wheel bolt		4	
5	999 707 663 40	O-ring 90,00 X 4		4	
6	991 361 189 00	Washer		4	
8	997 361 187 00	Securing ring 2,0		4	
9	991 361 207 10	Hub cap Central locking		4	PR:449
10	999 707 667 40	O-ring 30 X 2,5		4	
11		Balancer weight (self-adhesive)		X	
		see illustration:	601-002		
12	900 265 001 51	Rubber valve	rubber	4	PR:447
12	311 601 361	Discontinued part Rubber valve	rubber	4	PR:447
14	991 362 021 01	Spare wheel		1	PR:447
15	991 362 191 00	Adapter		1	PR:447

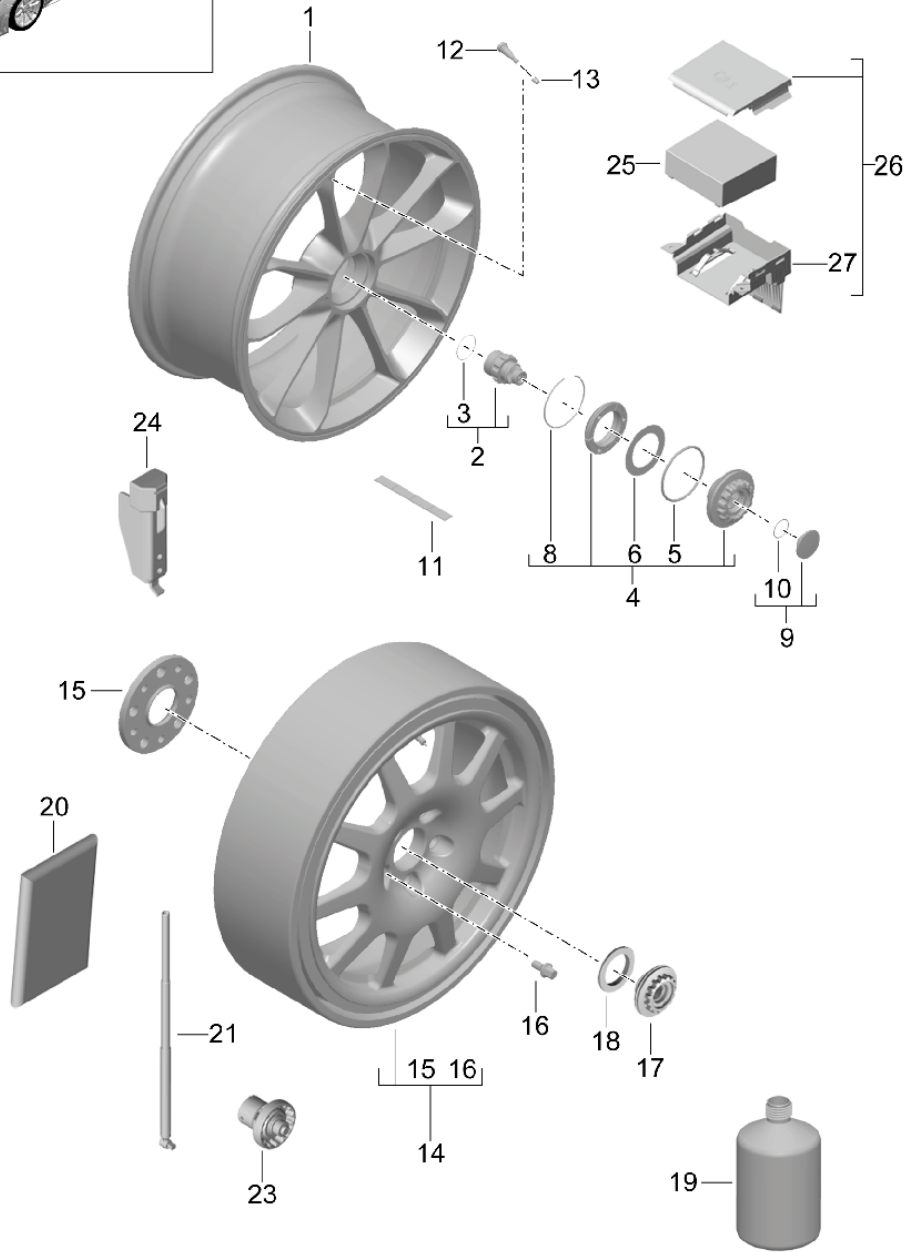
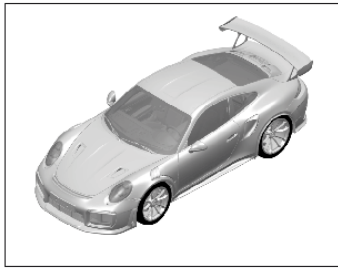
Model: 991T13

Model life 2014>>

Pos	Part Number	Description	Remark	Qty	Model
16	991 361 209 00	Spare wheel Wheel bolt Adapter		5	PR:447
17	991 361 181 50	Wheel bolt Central locking Spare wheel		1	
18	991 362 193 00	Shim Front axle		1	
(18)	991 362 195 00	Shim Rear axle		1	
19	9A7 012 619 02	Tyre sealant		1	
20	996 361 521 00	Protective sleeve Spare wheel		1	PR:447
21	997 361 161 00	Extension Spare wheel		1	PR:447
23	991 361 069 00	Tool for Wheel bolt release tool		1	
24	991 361 079 00	Air compressor for Spare wheel		1	
25	5N0 012 615 C	Bracket for compressor		1	
26	991 555 575 04 991 555 575 04 1E0	Black for Compressor		1	
27	991 555 765 03 991 555 765 03 1E0	Cover Black for Compressor		1	
28	991 362 743 00	Cover plate Carbon rim 9JX20 ET 51 comprising: Fasteners	front	2	PR:468,340
(28)	991 362 793 00	Cover plate Carbon rim 11,5JX20 ET 56 comprising: Fasteners	rear	2	PR:468,340

Model: 991T13

Model life 2014>>





Model: 991T13

Model life 2014>>

Pos	Part Number	Description	Remark	Qty	Model
		Wheels			PR:D97
1	991 362 162 83	Central locking Alloy wheel 9,5 J X 20 ET 50	front	2	PR:451,XDK, 340,XDH,346
	991 362 162 83 OB5	Platinum satin-matt			PR:XDH
	991 362 162 83 JE1	Matt black			PR:XDK
	991 362 162 83 8Z8	Brilliant Silver			PR:346
	991 362 162 83 539	White gold metallic			PR:340
1	991 362 167 84	Alloy wheel 12,5 J X 21 ET 48	rear	2	PR:451,XDK, 340,XDH,346
	991 362 167 84 OB5	Platinum satin-matt			PR:XDH
	991 362 167 84 JE1	Matt black			PR:XDK
	991 362 167 84 8Z8	Brilliant Silver			PR:346
	991 362 167 84 539	White gold metallic			PR:340
1	991 362 163 83	Alloy wheel 9,5 J X 20 ET 50	front	2	PR:452,XDK, 340,XDH,346
	991 362 163 83 OB5	Platinum satin-matt			PR:XDH
	991 362 163 83 JE1	Matt black			PR:XDK
	991 362 163 83 8Z8	Brilliant Silver			PR:346
	991 362 163 83 OH9	White gold metallic			PR:340
1	991 362 168 84	Disc wheel 12,5 J X 21 ET 48	rear	2	PR:452,XDK, 340,XDH,346
	991 362 168 84 OB5	Platinum satin-matt			PR:XDH
	991 362 168 84 JE1	Matt black			PR:XDK
	991 362 168 84 8Z8	Brilliant Silver			PR:346
	991 362 168 84 OH9	White gold metallic			PR:340
2	991 341 251 02	Locking mechanism		4	
3	999 707 012 40	O-ring 37 X 2,5 N		4	
4	991 361 081 90	Wheel bolt		4	
5	999 707 663 40	O-ring 90,00 X 4		4	
6	991 361 189 00	Washer		4	
8	997 361 187 00	Securing ring 2,0		4	
9	991 361 207 95	Hub cap		4	
10	999 707 667 40	O-ring 30 X 2,5 N		4	
11	997 361 405 00	Balancer weight (self-adhesive) silver		X	
(11)	9P1 601 179	Balancer weight (self-adhesive) Black		X	
(11)	997 361 410 00	Balancer weight (self-adhesive) silver		X	
(11)	9P1 601 181	Balancer weight (self-adhesive) Black		X	
(11)	997 361 415 00	Balancer weight (self-adhesive) silver		X	
(11)	9P1 601 182	Balancer weight (self-adhesive) Black		X	
(11)	997 361 420 00	Balancer weight (self-adhesive) silver		X	

Model: 991T13

Model life 2014&gt;&gt;

Pos	Part Number	Description	Remark	Qty	Model
(11)	9P1 601 183	Balancer weight (self-adhesive) Black		X	
(11)	997 361 425 00	Balancer weight (self-adhesive) silver		X	
(11)	9P1 601 184	Balancer weight (self-adhesive) Black		X	
(11)	997 361 430 00	Balancer weight (self-adhesive) silver		X	
(11)	9P1 601 185	Balancer weight (self-adhesive) Black		X	
(11)	997 361 435 00	Balancer weight (self-adhesive) silver		X	
(11)	9P1 601 186	Balancer weight (self-adhesive) Black		X	
(11)	997 361 440 00	Balancer weight (self-adhesive) silver		X	
(11)	9P1 601 187	Balancer weight (self-adhesive) Black		X	
(11)	997 361 445 00	Balancer weight (self-adhesive) silver		X	
(11)	9P1 601 188	Balancer weight (self-adhesive) Black		X	
(11)	997 361 450 00	Balancer weight (self-adhesive) silver		X	
(11)	9P1 601 189	Balancer weight (self-adhesive) Black		X	
(11)	997 361 455 00	Balancer weight (self-adhesive) silver		X	
(11)	9P1 601 190	Balancer weight (self-adhesive) Black		X	
(11)	997 361 460 00	Balancer weight (self-adhesive) silver		X	
(11)	9P1 601 191	Balancer weight (self-adhesive) Black		X	
(11)	997 361 465 00	Balancer weight (self-adhesive) silver		X	
(11)	9P1 601 192	Balancer weight (self-adhesive) Black		X	
(11)	997 361 470 00	Balancer weight (self-adhesive) silver		X	
(11)	9P1 601 193	Balancer weight (self-adhesive) Black		X	

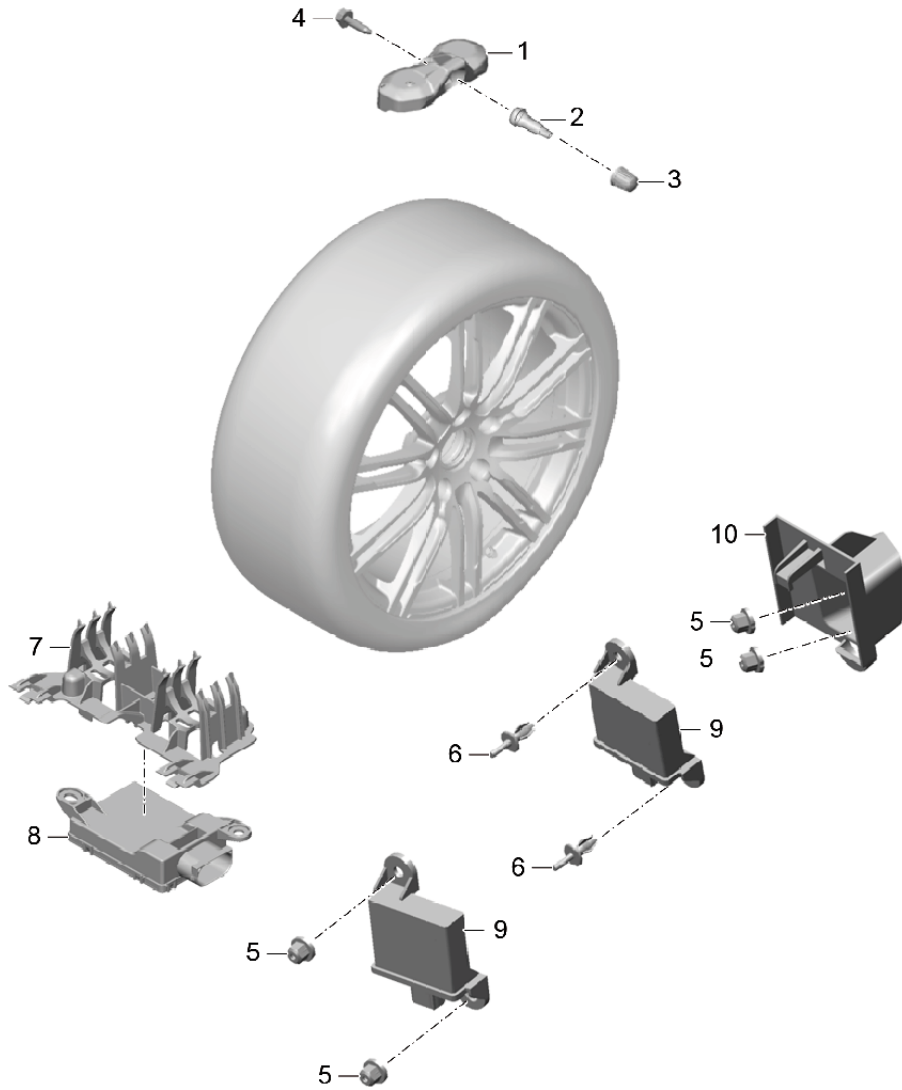
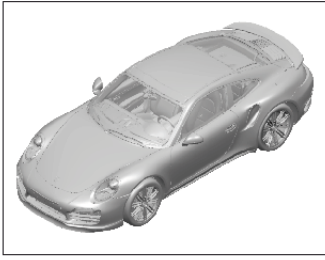
Model: 991T13

Model life 2014>>

Pos	Part Number	Description	Remark	Qty	Model
(11)	997 361 475 00	Balancer weight (self-adhesive) silver		X	
(11)	9P1 601 194	Balancer weight (self-adhesive) Black		X	
(11)	997 361 480 00	Balancer weight (self-adhesive) silver		X	
(11)	9P1 601 195	Balancer weight (self-adhesive) Black		X	
(11)	997 361 485 00	Balancer weight (self-adhesive) silver		X	
(11)	9P1 601 196	Balancer weight (self-adhesive) Black		X	
(11)	997 361 490 00	Balancer weight (self-adhesive) silver		X	
(11)	9P1 601 197	Balancer weight (self-adhesive) Black		X	
12	311 601 361	Rubber valve	rubber	1	
13	WHT 006 913	Valve cap for valve unit Black		4	PR:UX7,482, 483
14	991 362 021 02	Spare wheel		1	PR:447
15	991 362 191 00	Adapter Spare wheel		1	PR:447
16	991 361 209 00	Wheel bolt Adapter		5	PR:447
17	991 361 181 50	Wheel bolt Central locking Spare wheel		1	PR:447
18	991 362 193 00	Shim Front axle		1	PR:447
(18)	991 362 195 00	Shim Rear axle		1	PR:447
19	9A7 012 619 02	Tyre sealant		1	
20	996 361 521 00	Protective sleeve Spare wheel		1	PR:447
21	997 361 161 00	Extension Spare wheel		1	PR:447
23	991 361 069 00	Tool for Wheel bolt		1	
24	991 361 079 00	release tool		1	
25	9P1 012 615 A	Compressor for Spare wheel		1	
26	991 555 575 04	Bracket for compressor	with:	1	
27	991 555 575 04 1E0	Cover Black		1	
	991 555 765 03	Cover			
	991 555 765 03 1E0	Black			

Model: 991T13

Model life 2014>>



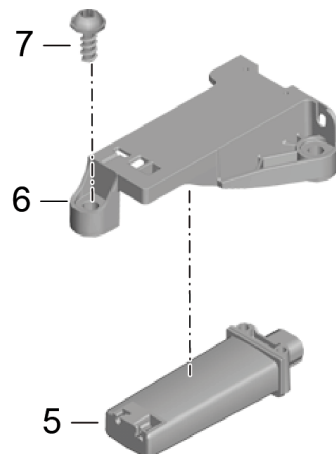
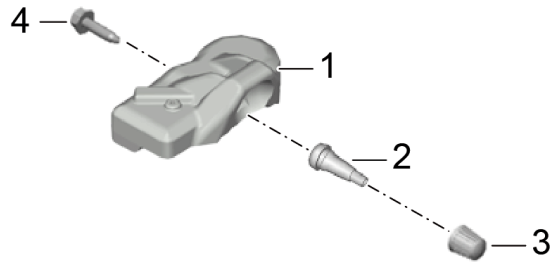
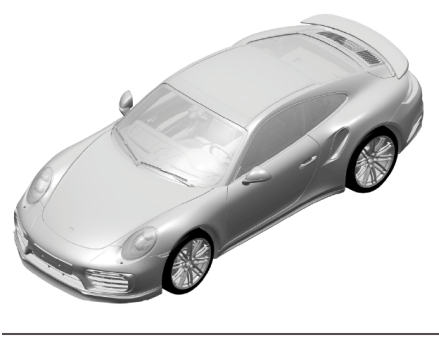
Model: 991T13

Model life 2014>>

Pos	Part Number	Description	Remark	Qty	Model
		tyre pressure control system D >> - MJ 2016			PR:-D97
1	7PP 907 275 F	Tyre pressure sensor		4	PR:482
(1)	7PP 907 275 G	tyre pressure control system Tyre pressure sensor		4	PR:483
2	9P1 601 361	tyre pressure control system Valve aluminium Black		4	PR:UX7,482, 483
(2)	955 361 053 00	Valve aluminium silver		4	PR:UX6,482, 483
(2)	9P1 601 361 A	Discontinued part Valve aluminium silver		4	PR:UX6,482, 483
3	N 908 729 01	Valve cap for valve unit		4	PR:UX6,482, 483
(3)	WHT 006 913	silver Valve cap for valve unit Black		4	PR:UX5,UX7, 477,482,483
4	4D0 601 365	Hexagon socket head bolt, self-locking		4	
5	999 076 081 40	Hexagon plastic collar nut		6	PR:482,483
6	999 507 196 40	Spreader rivet	front	2	PR:482,483
7	991 618 259 00	Retainer for aerial		1	PR:482,483
8	991 618 104 02	Aerial		1	PR:482
(8)	991 618 103 02	Aerial		1	PR:483
9	7PP 907 283	Sender unit		4	PR:482,483
10	991 606 242 00	Holder for sender unit	front	1	PR:482,483
11	999 049 033 40	Plastic nut		4	PR:352,470, 602,642,676

Model: 991T13

Model life 2014>>



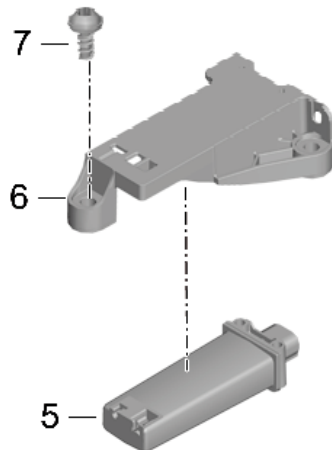
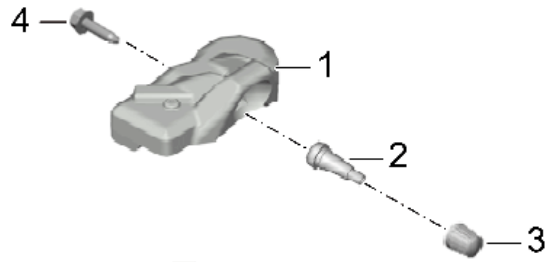
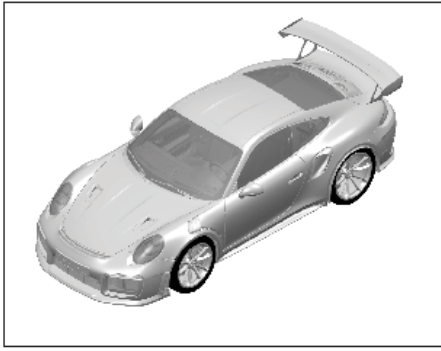
Model: 991T13

Model life 2014>>

Pos	Part Number	Description	Remark	Qty	Model
1	5Q0 907 275 B	tyre pressure control system D - MJ 2017>> Tyre pressure sensor tyre pressure control system also use:		4	PR:482,483, -D97 PR:482
(1)	5Q0 907 275 C	Valve Tyre pressure sensor tyre pressure control system also use:		4	PR:483
2	9P1 601 361	Valve Valve tyre pressure control system Black		4	PR:UX7
(2)	9P1 601 361 A	Valve tyre pressure control system silver		4	PR:UX6
3	WHT 006 913	Valve cap for valve unit Black		4	PR:UX7
(3)	N 908 729 01	Valve cap for valve unit silver		4	PR:UX6
4	4D0 601 365	Hexagon socket head bolt, self-locking		4	
5	9A7 907 273 51	Control unit for tyre pressure control		1	PR:482
(5)	9A7 907 273 02	Control unit for tyre pressure control		1	PR:483
6	991 618 269 01	Bracket		1	
7	999 919 241 01	Oval-head screw		2	

Model: 991T13

Model life 2014>>





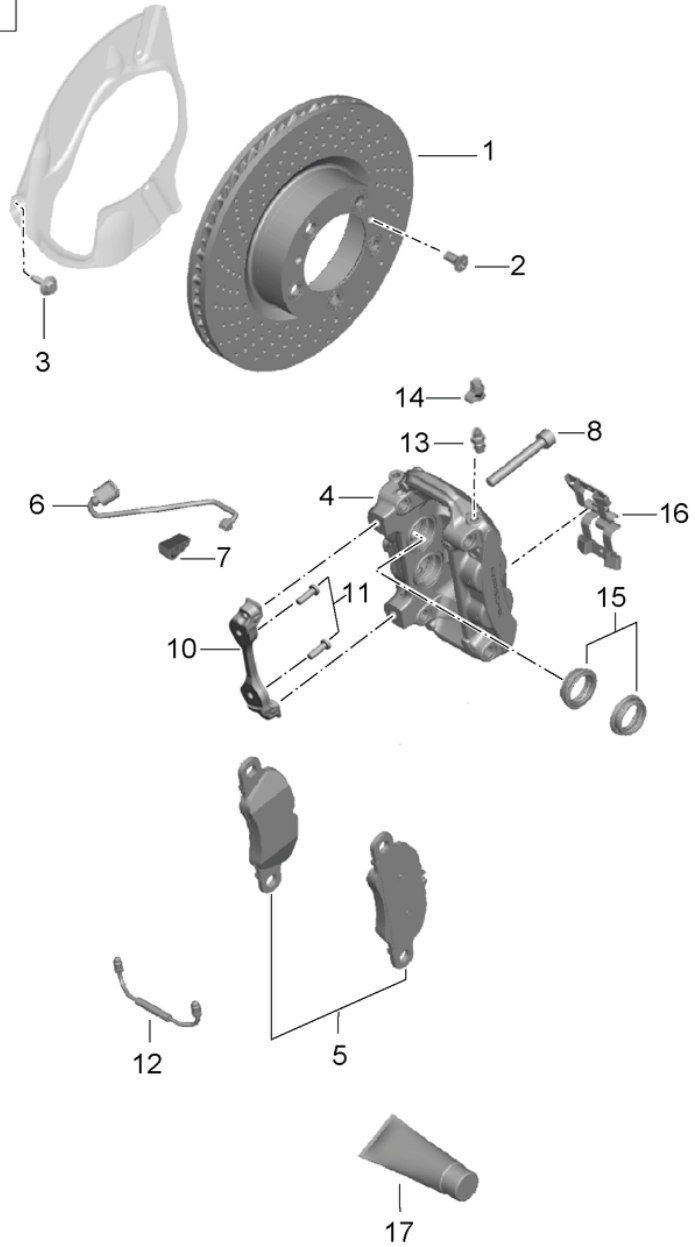
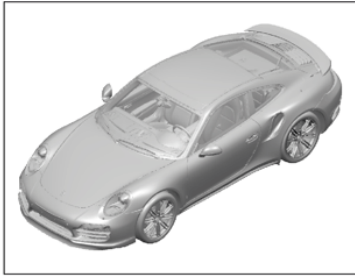
Model: 991T13

Model life 2014&gt;&gt;

Pos	Part Number	Description	Remark	Qty	Model
1	9A7 907 275 02	tyre pressure control system Tyre pressure sensor		4	PR:D97 PR:482
(1)	9A7 907 275 03	tyre pressure control system Tyre pressure sensor		4	PR:483
2	9P1 601 361 B	tyre pressure control system Valve aluminium Black		4	PR:UX7
(2)	9P1 601 361 C	Valve aluminium silver		4	PR:UX6
3	N 908 729 01	Valve cap for valve unit silver		4	PR:UX6
(3)	WHT 006 913	Valve cap for valve unit Black		4	PR:UX7
4	4D0 601 365	Hexagon socket head bolt, self-locking		4	
5	9P1 907 273 B	Control unit for tyre pressure control		1	PR:482
(5)	9P1 907 273 C	Control unit for tyre pressure control		1	PR:483
6	991 618 269 01	Bracket		1	
7	999 919 241 01	Oval-head screw M 6 X 15		2	

Model: 991T13

Model life 2014>>



Model: 991T13 Model life 2014>>

Pos	Part Number	Description	Remark	Qty	Model
		Disc brake Front axle D >> - MJ 2016			PR:-D97
1	991 351 405 02	Brake disc	left front	1	PR:-450
		use if required:	991 341 901 00	1	
(1)	991 351 407 00	Brake disc	left front	1	PR:450
		use if required:	991 341 901 00	1	
(1)	991 351 407 02	No longer use the part here Brake disc	left front	1	PR:450
		use if required:	991 341 901 00	1	
(1)	991 351 407 03	No longer use the part here Brake disc	left front	1	PR:450
		use if required:	991 341 901 00	1	
(1)	991 351 407 05	D >> - MJ 2016 Discontinued part Brake disc	left front	1	PR:450
		use if required:	991 341 901 00	1	
		See technical information NR. 68/16			
(1)	991 351 407 06	D >> - MJ 2016 Brake disc	left front	1	PR:450
		use if required:	991 341 901 00	1	
		See technical information NR. 68/16			
(1)	991 351 406 02	D >> - MJ 2016 Brake disc	right front	1	PR:-450
		use if required:	991 341 901 00	1	
(1)	991 351 408 00	Brake disc	right front	1	PR:450
		use if required:	991 341 901 00		
(1)	991 351 408 02	No longer use the part here Brake disc	right front	1	PR:450
		use if required:	991 341 901 00		
(1)	991 351 408 03	No longer use the part here Brake disc	right front	1	PR:450
		use if required:	991 341 901 00		
(1)	991 351 408 05	D >> - MJ 2016 Discontinued part Brake disc	right front	1	PR:450
		use if required:	991 341 901 00		
		See technical information NR. 68/16			
(1)	991 351 408 06	D >> - MJ 2016 Brake disc	right front	1	PR:450
		use if required:	991 341 901 00		
		See technical information NR. 68/16			
2	900 269 047 03	D >> - MJ 2016 countersunk bolt M 6 X 12		4	PR:478
3	N 909 995 02	Hex collared bolt M 6 X 25		2	
4	991 351 427 12	caliper without brake pads	left	1	PR:-450
		also use:	999 067 040 01	4	
(4)	991 351 427 13	No longer use the part here caliper without brake pads	left	1	PR:-450
		also use:	999 067 040 01	4	
(4)	991 351 429 32	caliper without brake pads	left	1	PR:450
		also use:	999 067 054 09	4	
(4)	991 351 428 12	caliper without brake pads	right	1	PR:-450
		also use:	999 067 040 01	4	
(4)	991 351 428 13	No longer use the part here caliper without brake pads	right	1	PR:-450
		also use:	999 067 040 01	4	

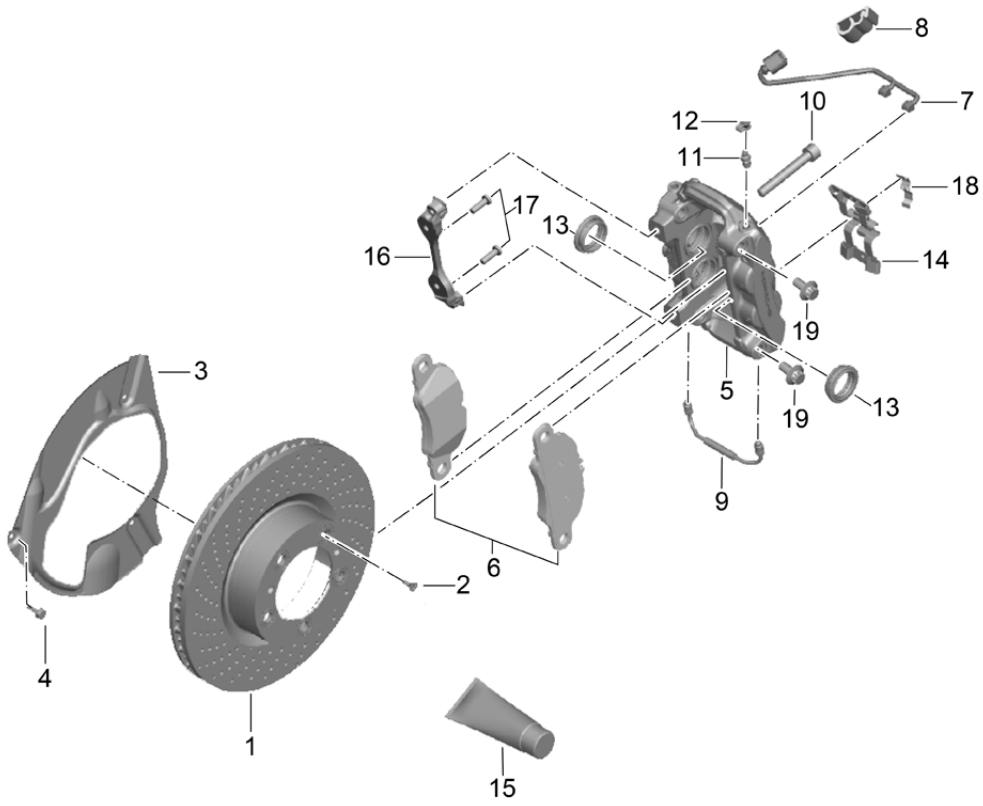
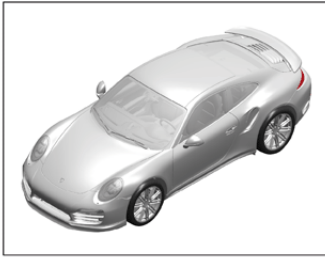
Model: 991T13

Model life 2014>>

Pos	Part Number	Description	Remark	Qty	Model
(4)	991 351 430 32	caliper without brake pads	right	1	PR:450
		also use:	999 067 054 09	4	
5	991 351 947 01	1 set of brake pads for disk brake 991.351.942.01	front	1	PR:-450
		also use:		4	
		Fasteners	999 067 040 01		
		also use:			
(5)	991 351 946 01	1 set of brake pads for disk brake 991.351.944.01	front	1	PR:450
		also use:	999 067 054 09	4	
6	991 609 181 00	sender wire (pad wear indicator)		2	
7	944 612 627 00	Line holder for sender wire (pad wear indicator)		2	
8	999 067 054 09	Socket head bolt M 12 X 1,5 X 62		4	PR:450
(8)	999 067 040 01	Socket head bolt M 12 X 1,5 X 95		4	PR:-450
10	997 351 505 04	Adapter Fixed calliper		2	PR:450
11	999 073 313 09	flat round head bolt M12 X 1,5 X 37 Adapter		4	PR:450
12	991 351 961 00	Connecting line	left	1	
(12)	991 351 962 00	Connecting line	right	1	
13	997 352 917 00	Breather valve No longer use the part here		4	PR:-450
13	997 352 919 00	Breather valve		4	PR:-450
(13)	8A0 615 273	Breather valve		4	PR:450
14	211 611 483	dust cap		4	PR:450
(14)	930 351 927 00	dust cap X20		4	PR:-450
15	951 352 917 01	repair set Protection caps 30 MM		X	
(15)	996 351 915 00	repair set Protection caps 32 MM		X	PR:450
(15)	965 352 917 00	Repair set for rear axle Protection caps		X	
16	970 351 959 01	Spring		X	
17	000 043 117 00	repair set brake cylinder paste 50 G		X	
(17)	000 043 020 00	Assembly paste 100 G		X	

Model: 991T13

Model life 2014>>



Model: 991T13

Model life 2014>>

Pos	Part Number	Description	Remark	Qty	Model
		Disc brake Front axle D - MJ 2017>>			PR:-D97
1	991 351 405 02	Brake disc	left front	1	PR:-450
		use if required:	991 341 901 00	1	
(1)	991 351 406 02	Brake disc	right front	1	PR:-450
		use if required:	991 341 901 00	1	
(1)	991 351 407 06	Brake disc	left front	1	PR:450
		use if required:	991 341 901 00	1	
(1)	991 351 408 06	Brake disc	right front	1	PR:450
		use if required:	991 341 901 00	1	
2	900 269 047 03	countersunk bolt M 6 X 12 - MK		4	
3	991 351 803 02	Cover plate	left	1	PR:-450
(3)	991 351 804 02	Cover plate	right	1	PR:-450
(3)	991 351 805 03	Cover plate	left	1	PR:450
(3)	991 351 806 03	Cover plate	right	1	PR:450
4	999 217 116 01	Hexagon bolt M6 X 16		6	
5	991 351 427 13	caliper without brake pads	left	1	PR:-450
		also use:	999 067 040 01	4	
(5)	991 351 428 13	caliper without brake pads	right	1	PR:-450
		also use:	999 067 040 01	4	
(5)	991 351 429 34	caliper without brake pads	left	1	PR:450,-028
		also use:	999 067 054 09	4	
(5)	9P1 615 123 M	caliper without brake pads	left	1	PR:450,028
		also use:	999 067 054 09	4	
(5)	991 351 430 34	caliper without brake pads	right	1	PR:450,-028
		also use:	999 067 054 09	4	
(5)	9P1 615 124 M	caliper without brake pads	right	1	PR:450,028
		also use:	999 067 054 09	4	
6	991 351 947 02	1 set of brake pads for disk brake	front	1	PR:-450
		also use:			
		Fasteners	999 067 040 01	4	
		also use:			
6	991 351 946 02	1 set of brake pads for disk brake	front	1	PR:450
		also use:	999 067 054 09	4	
		also use:			
7	991 609 181 00	sender wire (pad wear indicator)		2	
8	944 612 627 00	Line holder for sender wire (pad wear indicator)		2	
9	991 351 961 11	Connecting line Fixed calliper		2	PR:-450
(9)	991 351 961 01	Connecting line	left	1	PR:450
(9)	991 351 962 01	Connecting line	right	1	PR:450
10	999 067 040 01	Socket head bolt M 12 X 1,5 X 95		4	PR:-450
10	999 067 054 09	Socket head bolt M 12 X 1,5 X 62		4	PR:450
11	997 352 917 00	Breather valve		4	PR:-450
(11)	8A0 615 273	Breather valve		4	PR:450
12	930 351 927 00	dust cap		2	PR:-450
(12)	211 611 483	dust cap		20	PR:450
13	951 352 917 01	repair set Protection caps 30 MM		X	PR:-450
(13)	996 352 915 00	repair set Protection caps		X	PR:-450

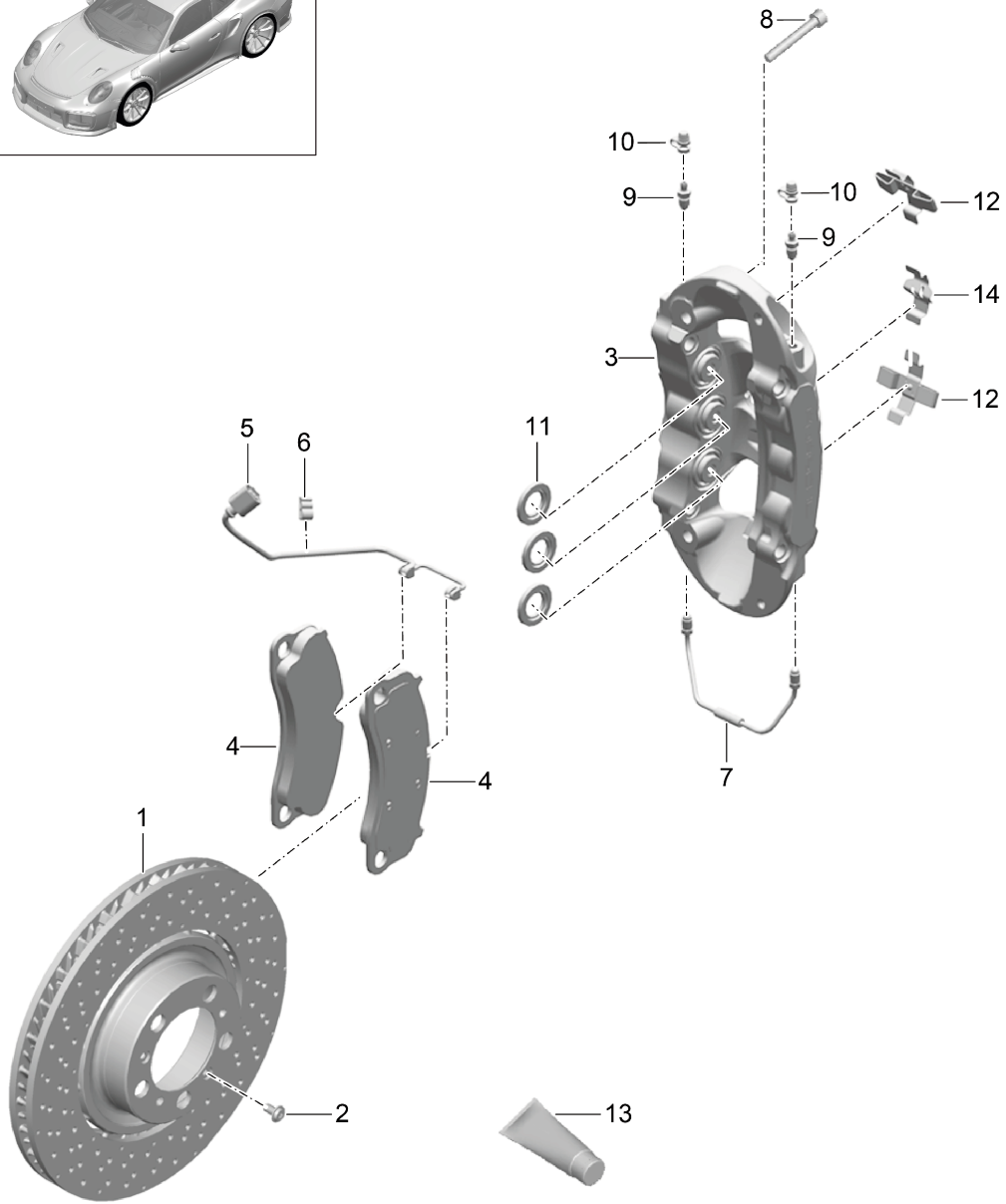
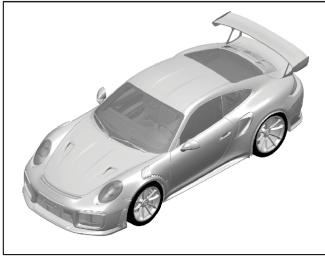
Model: 991T13

Model life 2014>>

Pos	Part Number	Description	Remark	Qty	Model
(13)	991 351 915 00	32 MM repair set Protection caps		X	PR:450
(13)	965 352 917 00	32 MM Repair set for rear axle Protection caps		X	PR:-450
14	970 351 959 01	Spring repair set		2	
15	000 043 117 00	brake cylinder paste 50 G		X	
(15)	000 043 020 00	Assembly paste 100 G		X	
16	997 351 505 04	Adapter Fixed calliper		2	PR:450
17	999 073 313 09	flat round head bolt M12 X 1,5 X 37 Adapter		4	PR:450
18	991 352 960 00	Cable holder		2	PR:-450
(18)	9P1 615 133 A	Cable holder		2	PR:450
19	9A7 008 689 00	shouldered bolt M 8 X 16		4	PR:-450

Model: 991T13

Model life 2014>>





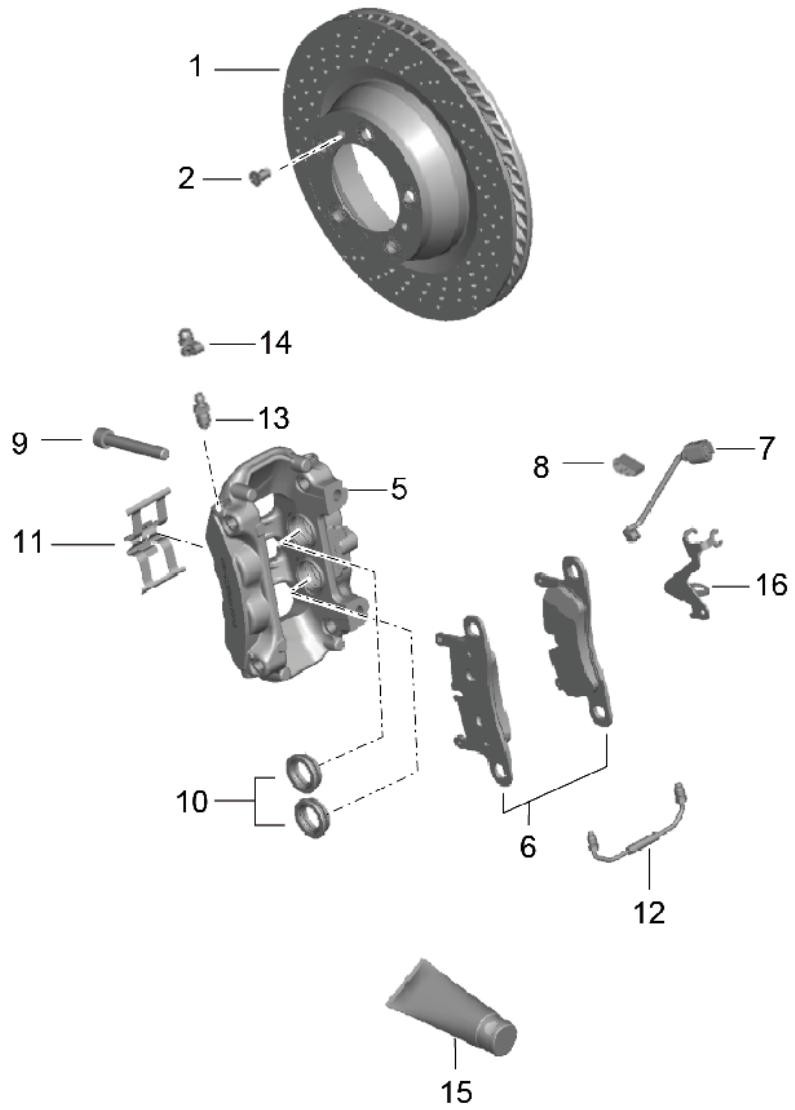
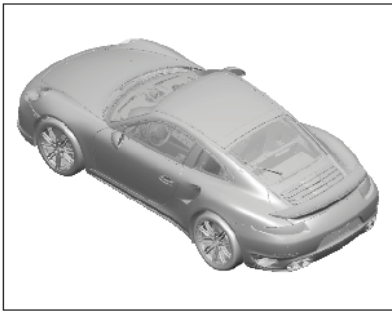
Model: 991T13

Model life 2014>>

Pos	Part Number	Description	Remark	Qty	Model
		Disc brake Front axle PCCB			PR:D97
1	991 351 407 85	Brake disc	left front	1	
		use if required:	991 341 905 80	1	
(1)	991 351 408 85	Brake disc	right front	1	
		use if required:	991 341 905 80	1	
2	999 015 025 09	Oval-head screw M 6 X 12		4	
3	991 351 429 86	caliper without brake pads	left	1	
		also use:	999 067 054 09	4	
(3)	991 351 430 86	caliper without brake pads	right	1	
		also use:	999 067 054 09	4	
4	991 351 949 81	1 set of brake pads for disk brake	front	1	
		also use:	999 067 054 09	4	
5	991 609 181 80	sender wire (pad wear indicator)		2	
6	944 612 627 00	Line holder for		2	
7	991 351 961 01	Warning contact Connecting line	left	2	
(7)	991 351 962 01	Fixed calliper Connecting line	right	2	
8	999 067 054 09	Fixed calliper Socket head bolt M 12 X 1,5 X 62		2	
9	8A0 615 273	Breather valve		4	
10	211 611 483	dust cap		4	
11	991 351 913 80	repair set Protective cap 30 MM		X	
12	970 351 959 01	Spring repair set		2	
13	000 043 305 11	brake cylinder paste 50 G		X	
(13)	000 043 305 08	Assembly paste 100 G		X	
14	9P1 615 133 A	Cable holder Warning contact		2	

Model: 991T13

Model life 2014>>



Model: 991T13

Model life 2014>>

Pos	Part Number	Description	Remark	Qty	Model
		Disc brake Rear axle D >> - MJ 2016			PR:-D97
1	991 352 407 00	Brake disc	left rear	1	PR:-450
		use if required:	991 341 901 00	1	
(1)	991 352 409 00	Brake disc	left rear	1	PR:450
		use if required:	991 341 901 00	1	
		No longer use the part here			
(1)	991 352 409 03	Brake disc	left rear	1	PR:450
		use if required:	991 341 901 00	1	
		No longer use the part here			
(1)	991 352 409 04	Brake disc	left rear	1	PR:450
		use if required:	991 341 901 00	1	
		D >> - MJ 2016 Discontinued part			
(1)	991 352 409 06	Brake disc	left rear	1	PR:450
		use if required:	991 341 901 00	1	
		See technical information NR. 68/16			
(1)	991 352 409 07	Brake disc	left rear	1	PR:450
		use if required:	991 341 901 00	1	
		See technical information NR. 68/16			
(1)	991 352 408 00	Brake disc	right rear	1	PR:-450
		use if required:	991 341 901 00	1	
(1)	991 352 410 00	Brake disc	right rear	1	PR:450
		use if required:	991 341 901 00	1	
		No longer use the part here			
(1)	991 352 410 03	Brake disc	right rear	1	PR:450
		use if required:	991 341 901 00	1	
		No longer use the part here			
(1)	991 352 410 04	Brake disc	right rear	1	PR:450
		use if required:	991 341 901 00	1	
		D >> - MJ 2016 Discontinued part			
(1)	991 352 410 06	Brake disc	right rear	1	PR:450
		use if required:	991 341 901 00	1	
		See technical information NR. 68/16			
(1)	991 352 410 07	Brake disc	right rear	1	PR:450
		use if required:	991 341 901 00	1	
		See technical information NR. 68/16			
		D >> - MJ 2016			
2	900 269 047 03	countersunk bolt M 6 X 12		4	
5	991 352 427 11	caliper without brake pads	left	1	PR:-450
		also use:	N 911 837 01	2	
(5)	991 352 429 32	caliper without brake pads	left	1	PR:450
		also use:	N 911 837 01	2	
(5)	991 352 428 11	caliper without brake pads	right	1	PR:-450
		also use:	N 911 837 01	2	
(5)	991 352 430 32	caliper without brake pads	right	1	PR:450
		also use:	N 911 837 01	2	
6	991 352 947 01	1 set of brake pads for disk brake	rear	1	PR:-450
		also use:	N 911 837 01	4	
(6)	991 352 946 01	1 set of brake pads for disk brake	rear	1	PR:450

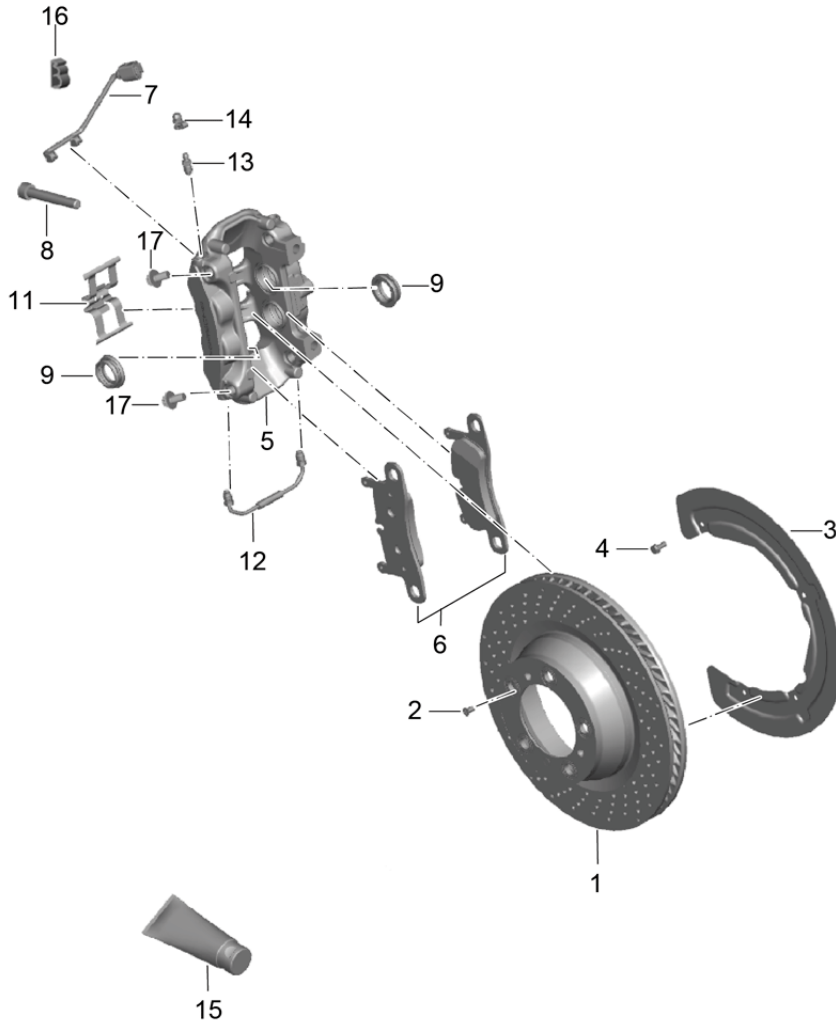
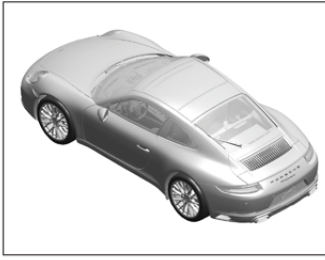
Model: 991T13

Model life 2014>>

Pos	Part Number	Description	Remark	Qty	Model
			N 911 837 01	4	
		also use:			
7	991 609 185 00	sender wire (pad wear indicator)		2	PR:-450
7	991 609 185 00	sender wire (pad wear indicator)		2	
(7)	991 609 183 00	sender wire (pad wear indicator)		2	PR:450
8	944 612 627 00	Line holder for Warning contact		2	
9	N 911 837 01	Socket head bolt with inner multipoint head M 12 X 1.5 X 115		4	
10	996 351 915 00	repair set Protection caps 32 MM		4	
11	991 352 951 00	Repair set for rear axle Spring		2	
12	991 352 961 00	Connecting line No longer use the part here		2	
13	8A0 615 273	Breather valve		4	
14	211 611 483	dust cap		4	
15	000 043 117 00	brake cylinder paste 50 G		X	
(15)	000 043 020 00	Assembly paste 100 G		X	
16		Bracket for Brake hose  see illustration:	604-010		

Model: 991T13

Model life 2014>>



Model: 991T13

Model life 2014>>

Pos	Part Number	Description	Remark	Qty	Model
		Disc brake Rear axle D - MJ 2017>>			PR:-D97
1	991 352 407 00	Brake disc	left rear	1	PR:-450
		use if required:	991 341 901 00	1	
(1)	991 352 409 07	Brake disc	left rear	1	PR:450
		use if required:	991 341 901 00	1	
(1)	991 352 408 00	Brake disc	right rear	1	PR:-450
		use if required:	991 341 901 00	1	
(1)	991 352 410 07	Brake disc	right rear	1	PR:450
		use if required:	991 341 901 00	1	
2	900 269 047 03	countersunk bolt M 6 X 12		4	PR:-478
3	991 352 803 01	Cover plate	left	1	PR:-450
(3)	991 352 805 02	Cover plate	left	1	PR:450
(3)	991 352 804 01	Cover plate	right	1	PR:-450
(3)	991 352 806 02	Cover plate	right	1	PR:450
4	999 217 116 01	Hexagon bolt M 6 X 16		8	
5	991 352 427 13	caliper without brake pads	left	1	PR:-450
		also use:	N 911 837 01	2	
(5)	991 352 428 13	caliper without brake pads	right	1	PR:-450
		also use:	N 911 837 01	2	
(5)	991 352 429 33	caliper without brake pads	left	1	PR:450,-028
		also use:	N 911 837 01	2	
(5)	9P1 615 423 G	caliper without brake pads	left	1	PR:450,028
		also use:	N 911 837 01	2	
(5)	991 352 430 33	caliper without brake pads	right	1	PR:450,-028
		also use:	N 911 837 01	2	
(5)	9P1 615 424 G	caliper without brake pads	right	1	PR:450,028
		also use:	N 911 837 01	2	
6	991 352 947 01	1 set of brake pads for disk brake	rear	1	PR:-450
		also use:	N 911 837 01	4	
(6)	991 352 946 01	1 set of brake pads for disk brake	rear	1	PR:450
		also use:	N 911 837 01	4	
7	991 609 185 00	sender wire (pad wear indicator)		2	
8	N 911 837 01	Socket head bolt with inner multipoint head M 12 X 1,5 X 115		4	
9	9A7 698 671 00	Set Protection caps 32 MM		X	PR:-450
(9)	996 351 915 00	repair set Protection caps 32 MM		X	PR:450
11	991 352 951 00	Repair set for rear axle		2	
12	971 615 701 A	Spring		2	PR:-450
13	8A0 615 273	Connecting line		4	
14	211 611 483	Breather valve		4	
15	000 043 117 00	dust cap		4	
		brake cylinder paste 50 G		X	
(15)	000 043 020 00	Assembly paste 100 G		X	
16	944 612 627 00	Line holder for Warning contact		2	

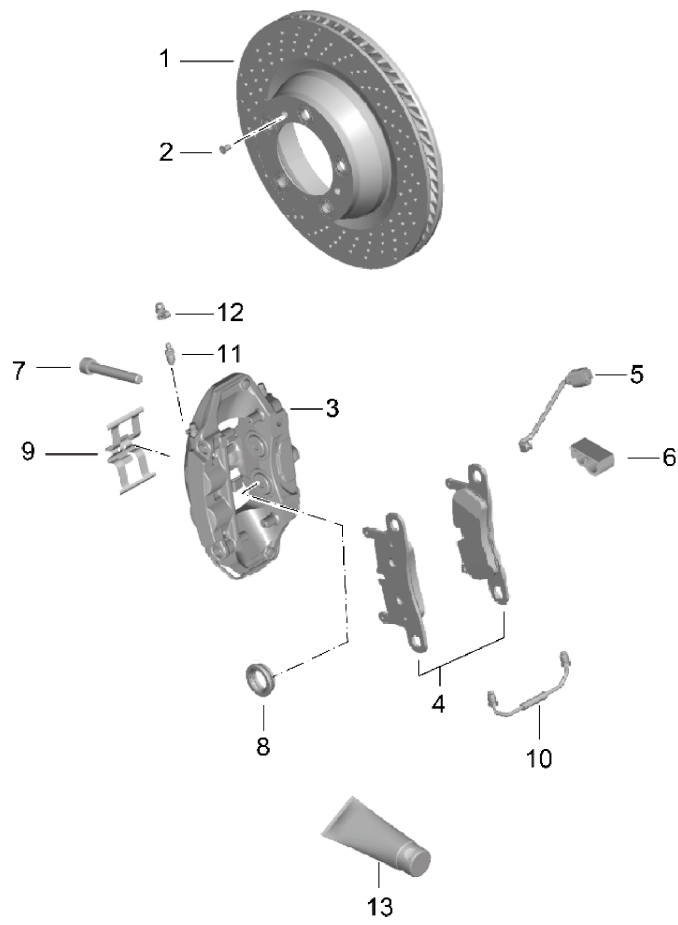
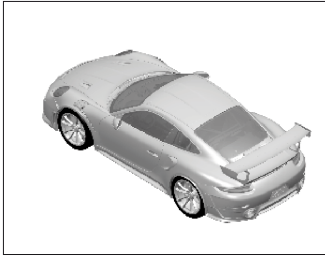
Model: 991T13

Model life 2014>>

Pos	Part Number	Description	Remark	Qty	Model
17	9A7 008 689 00	shouldered bolt M 8 X 16		4	PR:-450

Model: 991T13

Model life 2014>>





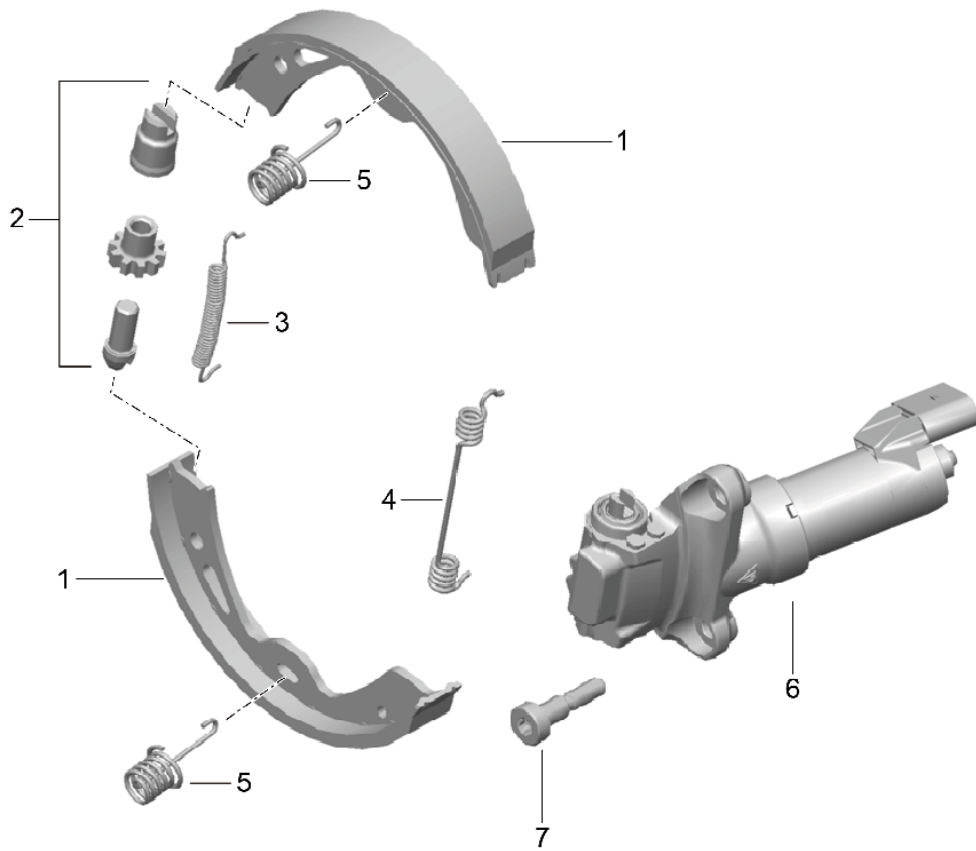
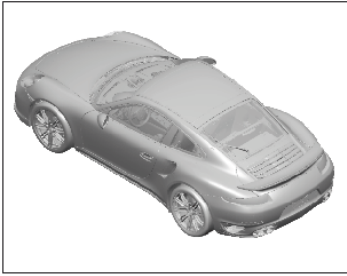
Model: 991T13

Model life 2014>>

Pos	Part Number	Description	Remark	Qty	Model
		Disc brake Rear axle PCCB			PR:D97
1	991 352 409 85	Brake disc	left rear	1	
		use if required:	991 341 905 80		
(1)	991 352 410 85	Brake disc	right rear	1	
		use if required:	991 341 905 80		
2	999 015 025 09	Oval-head screw M 6 X 12		4	
3	991 352 429 85	caliper without brake pads	left	1	
		also use:	999 067 053 09	2	
(3)	991 352 430 85	caliper without brake pads	right	1	
		also use:	999 067 053 09	2	
4	991 352 949 80	1 set of brake pads for disk brake	rear	1	
		also use:	999 067 053 09	4	
5	991 609 185 00	sender wire (pad wear indicator)		2	
6	944 612 627 00	Line holder for sender wire (pad wear indicator)		2	
7	999 067 053 09	Socket head bolt M 12 X 1,5 X 85		4	
8	991 352 917 80	1 set protective caps (4 pcs) 34 MM		1	
9	971 698 995 B	Cup expander spring Spring repair set		2	
10	971 615 701 A	Connecting line Connecting line		2	
11	997 352 919 00	Breather valve		4	
12	211 611 483	dust cap		4	
13	000 043 305 11	brake cylinder paste 50 G		X	
(13)	000 043 305 08	Assembly paste 100 G		X	

Model: 991T13

Model life 2014>>



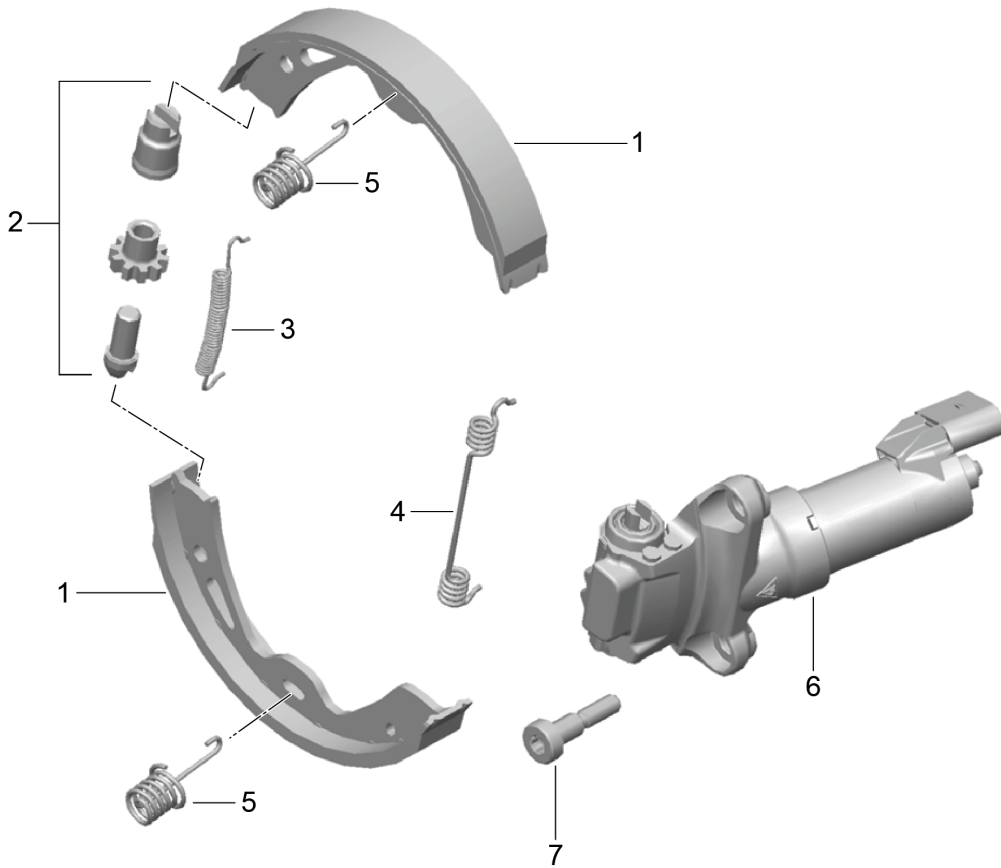
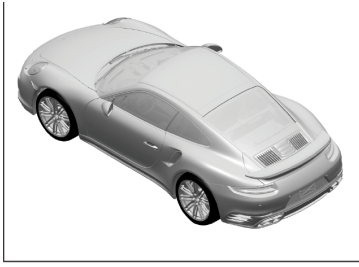
Model: 991T13

Model life 2014>>

Pos	Part Number	Description	Remark	Qty	Model
1	970 352 993 02	Parking brake D >> - MJ 2016 Brake shoe repair set comprising: 4 X Brake shoe		1	PR: -D97
(1)	298 698 533	Fasteners Discontinued part Brake shoe repair set comprising: 4 X Brake shoe	also use:	1	
2	993 352 071 00	Fasteners adjustment screw Discontinued part		2	
(2)	298 609 723	adjustment screw		2	
3	997 352 721 01	tension spring Discontinued part		2	
(3)	298 609 717	tension spring		2	
4	970 352 723 00	tension spring		2	
5	997 352 741 02	Pressure spring Discontinued part		4	
(5)	298 609 583	Pressure spring		4	
6	970 352 091 05	Servomotor	left	1	
(6)	970 352 092 05	Servomotor	right	1	
7	999 073 452 01	Screw M 8 X 38		4	

Model: 991T13

Model life 2014>>



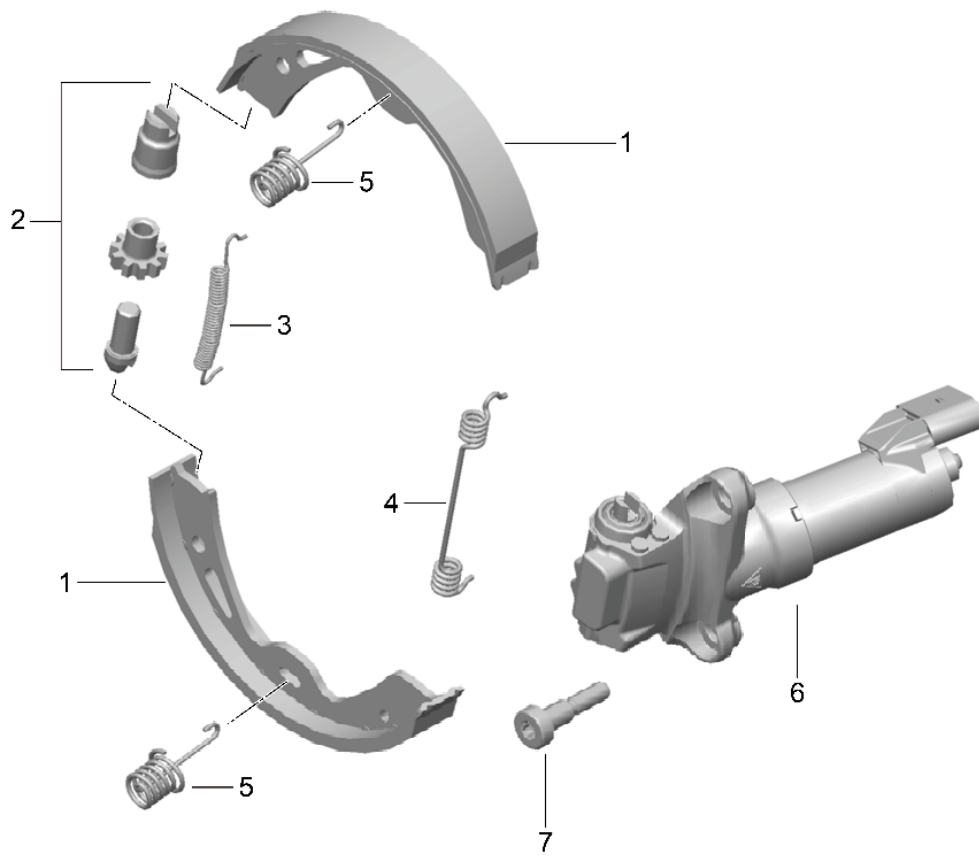
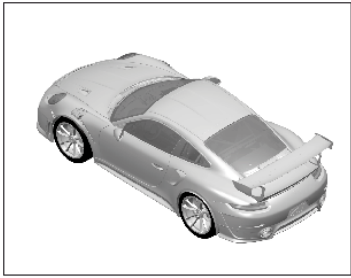
Model: 991T13

Model life 2014>>

Pos	Part Number	Description	Remark	Qty	Model
1	298 698 533	Parking brake D - MJ 2017>> Brake shoe repair set comprising: Brake shoe		1 4	PR: -D97
1	971 698 533	also use: Fasteners D >> - 13.05.2016 Brake shoe repair set comprising: Brake shoe		1 4	
2	298 609 723	also use: Fasteners D - 16.05.2016>> adjustment screw		2	
3	298 609 717	tension spring		2	
4	298 609 715	tension spring		2	
5	298 609 583	Pressure spring		4	
6	298 609 403	Servomotor	left	1	
(6)	298 609 404	Servomotor	right	1	
7	999 073 452 01	Screw M 8 X 38		4	

Model: 991T13

Model life 2014>>



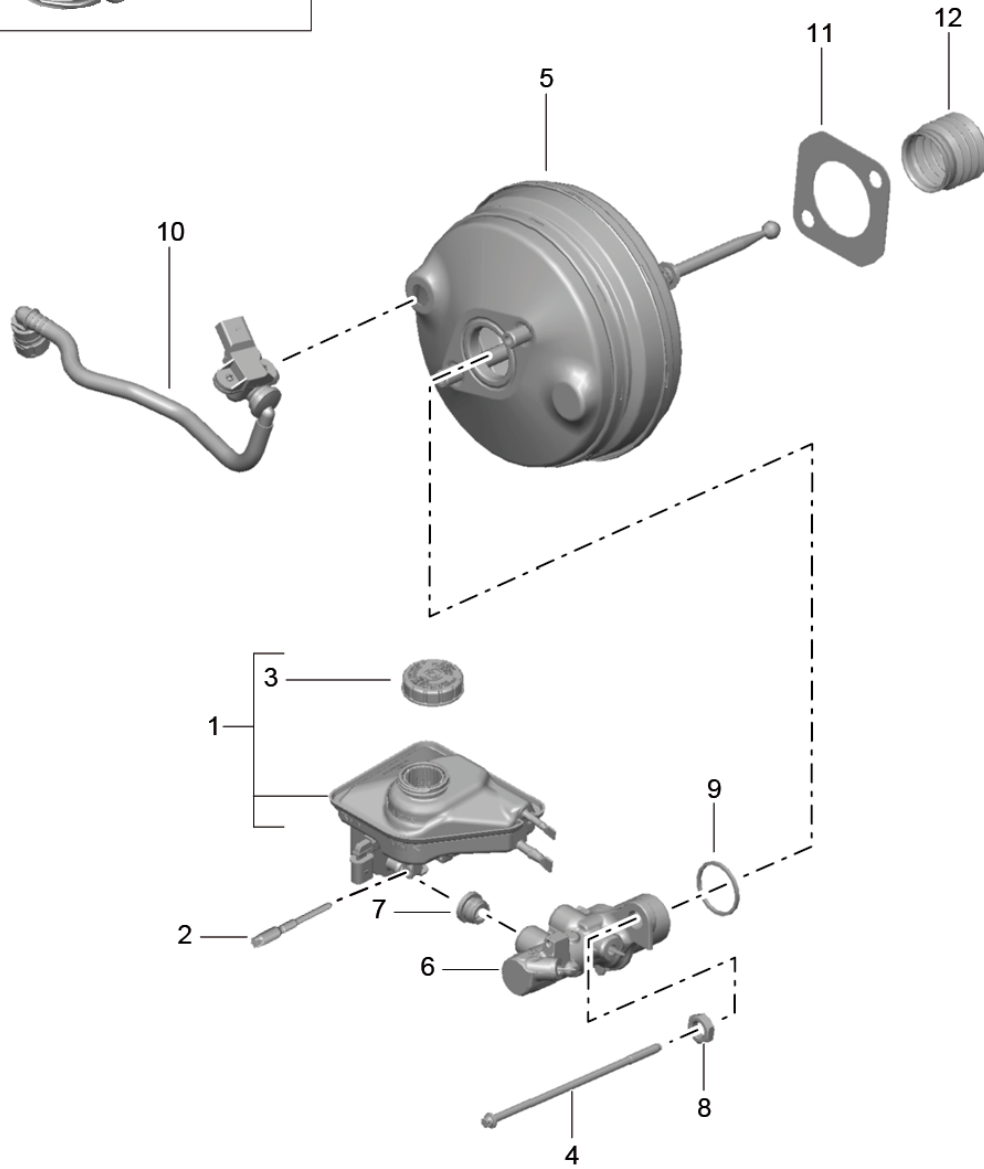
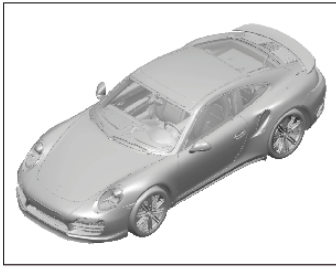
Model: 991T13

Model life 2014>>

Pos	Part Number	Description	Remark	Qty	Model
2	298 609 723	Parking brake adjustment screw		2	PR:D97
3	298 609 717	tension spring		2	
4	298 609 715	tension spring		2	
5	298 609 583	Pressure spring		4	
6	298 609 403	Servomotor	left	1	
(6)	298 609 404	Servomotor	right	1	
7	999 073 452 01	Screw M 8 X 38		4	

Model: 991T13

Model life 2014>>





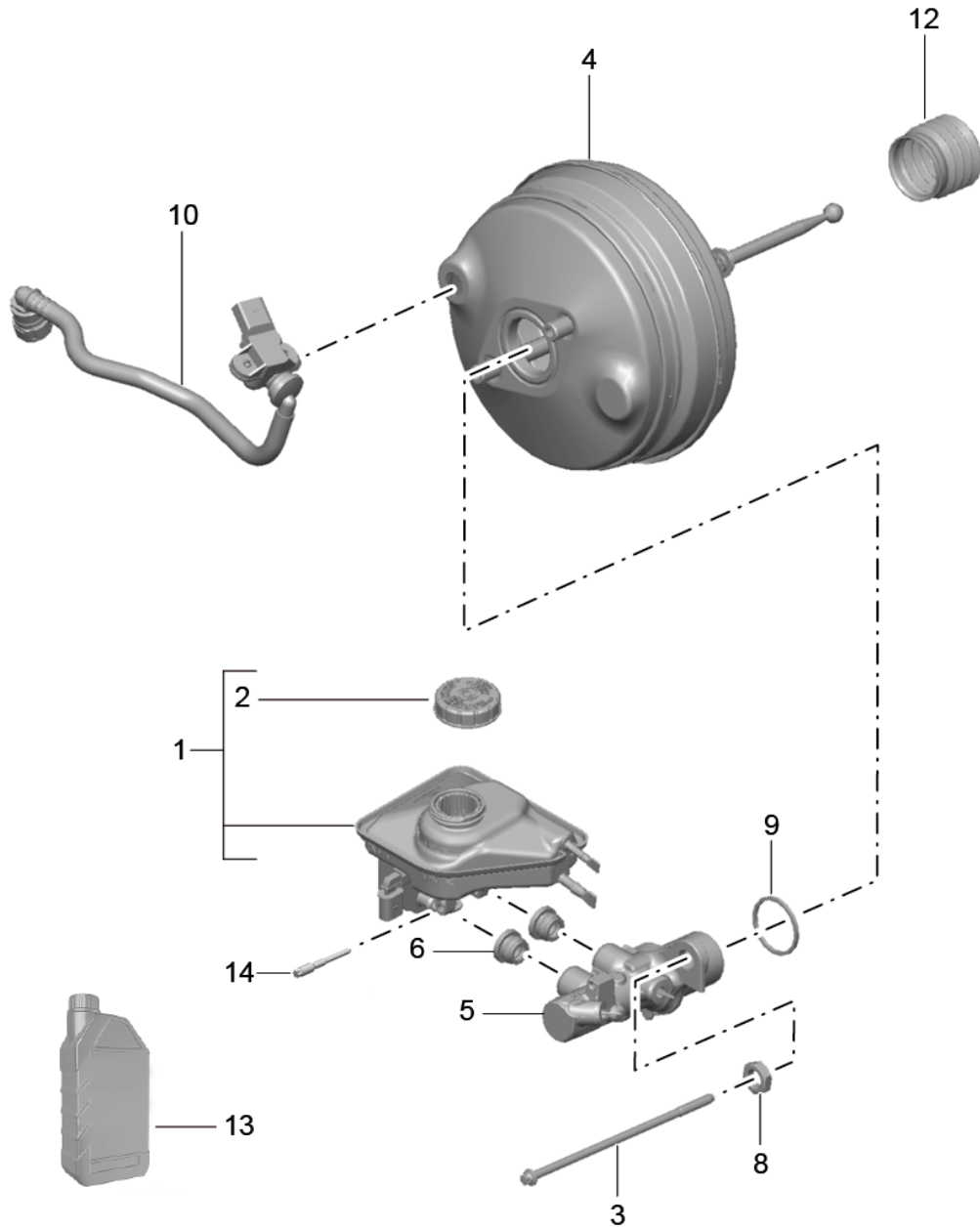
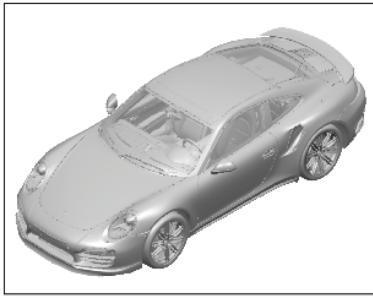
Model: 991T13

Model life 2014>>

Pos	Part Number	Description	Remark	Qty	Model
		Brake master cylinder Brake servo D >> - MJ 2016			PR:-D97
-	999 917 211 00	brake fluid DOT 4 1 LTR.		X	
1	991 355 013 01	Reservoir		1	
2	WHT 005 308	stud with shoulder M 5 X 51		1	
3	958 355 351 00	End cap		1	
4	991 355 929 00	Socket head bolt		2	
5	991 355 125 26	Brake servo for Pedals  with: switch - brake light D >> - 20.01.2014		1	
(5)	991 355 125 29	Brake servo for Brake booster  with: switch - brake light Integrated D - 21.01.2014>>		1	
6	991 355 130 26	Brake master cylinder for Pedals  with: switch - brake light D >> - 20.01.2014		1	
(6)	991 355 130 27	Brake master cylinder for Brake booster  with: switch - brake light Integrated D - 21.01.2014>>		1	
7	970 355 922 00	Seal		2	
8	970 355 925 00	Nut M 16 X 8		2	
9	993 355 212 00	Seal		1	
10	991 355 577 05	Vacuum line Discontinued part		1	PR:098
(10)	991 355 577 04	Vacuum line		1	PR:098
(10)	991 355 578 03	Vacuum line Discontinued part		1	PR:099
(10)	991 355 578 02	Vacuum line		1	PR:099
11	991 355 901 01	Seal Brake servo filler plate		1	
12	970 355 969 00	Bellows		1	

Model: 991T13

Model life 2014>>



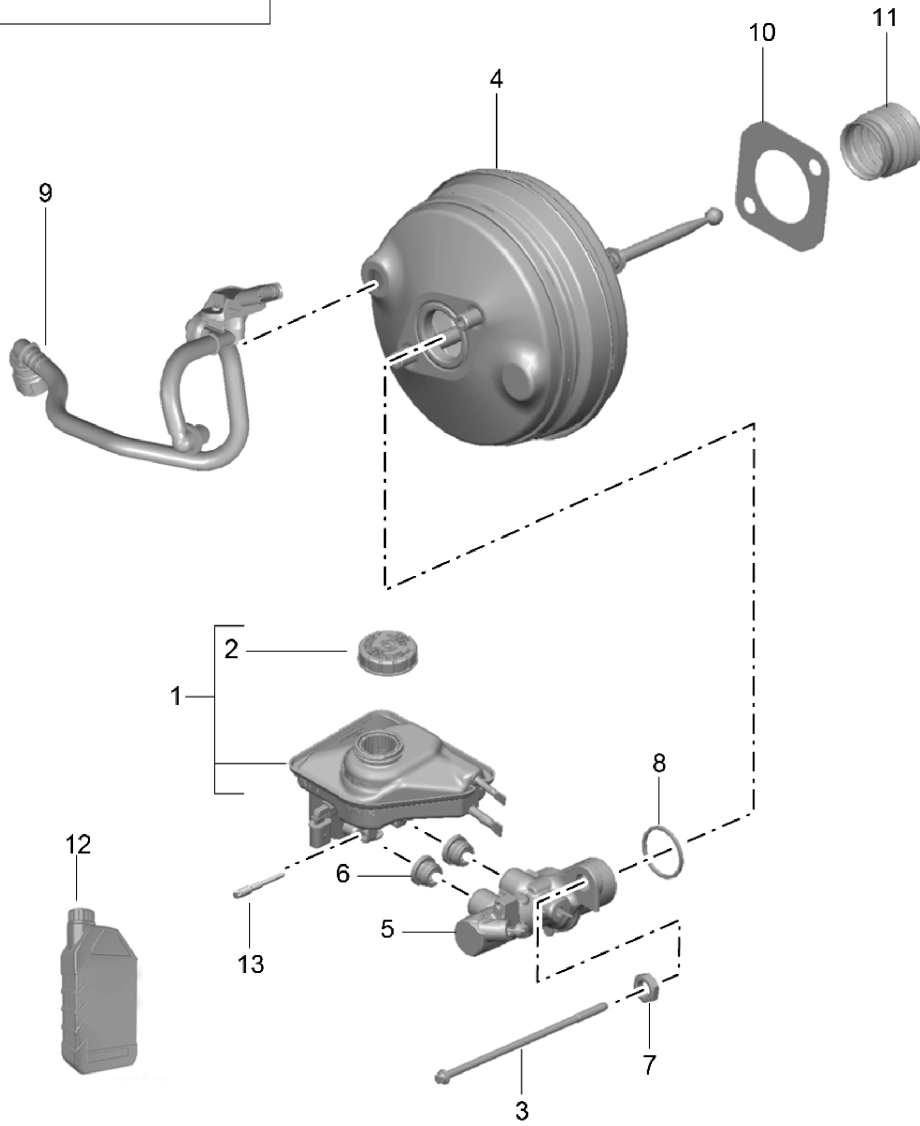
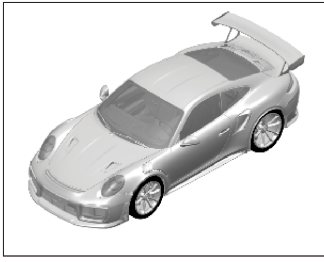
Model: 991T13

Model life 2014>>

Pos	Part Number	Description	Remark	Qty	Model
		Brake master cylinder Brake servo D - MJ 2017>>			PR: -D97
1	991 355 013 02	Reservoir		1	
2	5Q0 611 349 A	cap for expansion tank		1	"USA"
(2)	5Q0 611 349 B	cap for expansion tank		1	- "USA"
3	991 355 929 00	Socket head bolt M 8 X 196,9 X 31,9		2	
4	991 355 125 29	Brake servo		1	
5	991 355 130 27	Brake master cylinder		1	
6	958 355 922 00	Rubber seal Reservoir		2	
8	970 355 925 00	Nut M 16 X 8		2	
9	993 355 212 00	Seal		1	
10	991 355 577 04	Vacuum line		1	PR:098
(10)	991 355 578 02	Vacuum line		1	PR:099
12	970 355 969 00	Bellows		1	
13	000 043 210 82	brake fluid	1.0 Ltr.	X	
13	000 043 210 86	brake fluid	30ltr.	X	
14	WHT 005 308	stud with shoulder M 5 X 51		1	

Model: 991T13

Model life 2014>>



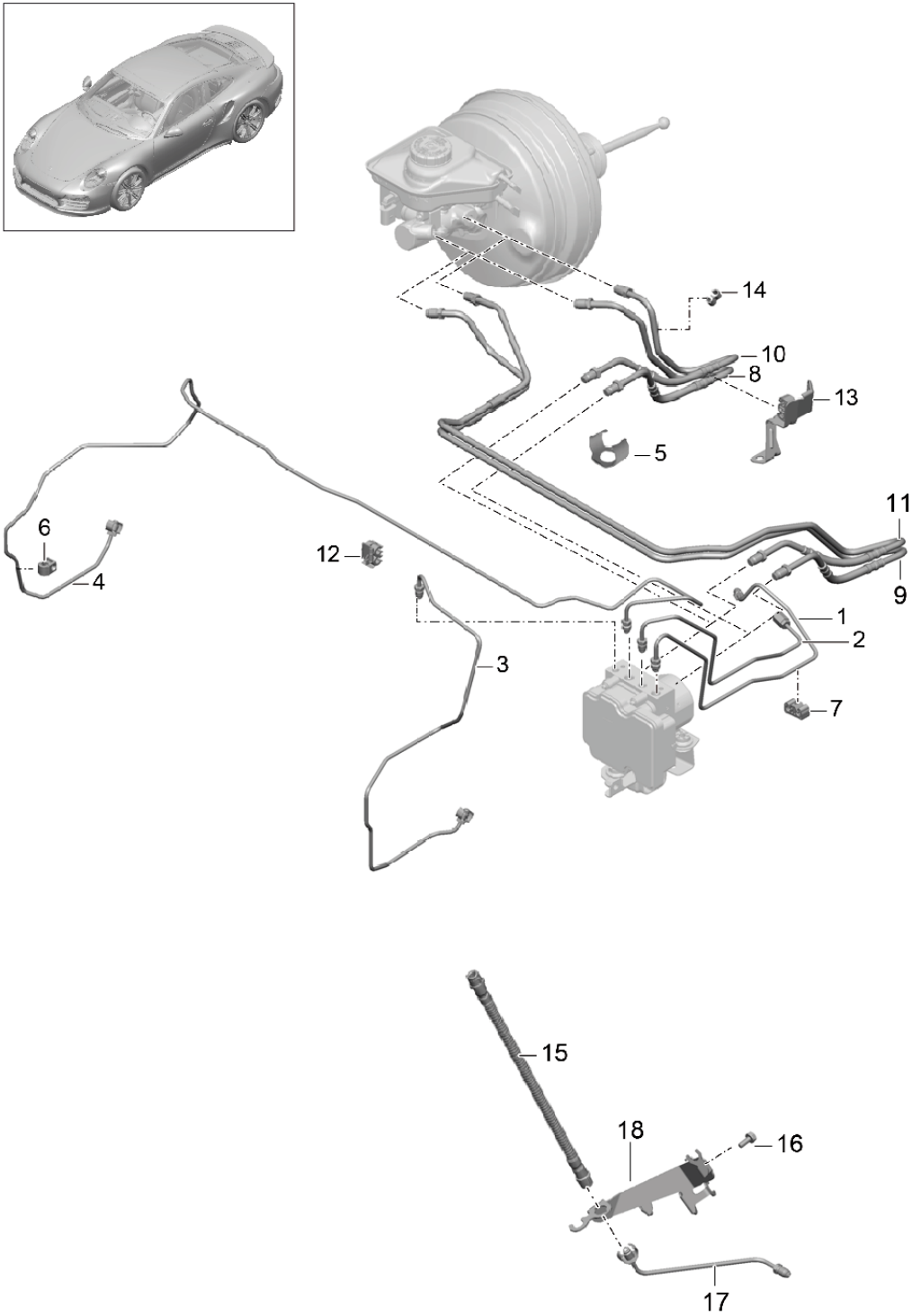
Model: 991T13

Model life 2014>>

Pos	Part Number	Description	Remark	Qty	Model
		Brake master cylinder			PR:D97
		Brake servo			
1	991 355 013 02	Reservoir		1	
2	5Q0 611 349 A	cap for expansion tank		1	PR:484
(2)	5Q0 611 349 B	cap for expansion tank		1	PR:-484
3	991 355 929 00	Socket head bolt M 8 X 196,9 X 31,9		2	
4	991 355 125 82	Brake servo		1	
5	991 355 130 81	Brake master cylinder		1	
6	970 355 922 00	Seal		2	
7	970 355 925 00	Nut M 16 X 8		2	
8	993 355 212 00	Seal		1	
9	991 355 577 10	Vacuum line		1	PR:098
(9)	991 355 578 10	Vacuum line		1	PR:099
10	991 355 901 01	Seal		1	
		Brake servo			
		filler plate			
11	970 355 969 00	Bellows		1	
12	000 043 210 82	brake fluid	1.0 Ltr.	1	
12	000 043 210 86	brake fluid	30ltr.	1	
13	WHT 005 308	stud with shoulder M 5 X 51		1	

Model: 991T13

Model life 2014>>



Model: 991T13 Model life 2014>>

Pos	Part Number	Description	Remark	Qty	Model
		Brake lines Front end	front		PR:-D97
1	991 355 316 05	D >> - MJ 2016 Brake line		1	
(1)	991 355 316 10	D >> - 08.01.2014 Brake line		1	
(1)	991 355 316 12	D - 09.01.2014>> - 20.10.2014 Brake line		1	
2	991 355 315 05	D - 21.10.2014>> Brake line		1	
(2)	991 355 315 07	D - 17.05.2013>> - 20.10.2014 Brake line		1	
3	991 355 175 03	D - 21.10.2014>> Brake line		1	
(3)	991 355 175 04	D >> - 20.10.2014 Discontinued part Brake line		1	
(3)	991 355 175 05	D >> - 20.10.2014 Brake line		1	
4	991 355 176 04	D - 21.10.2014>> Brake line		1	
(4)	991 355 176 05	D >> - 20.10.2014 Discontinued part Brake line		1	
(4)	991 355 176 06	D >> - 20.10.2014 Brake line		1	
5	997 355 331 00	D - 21.10.2014>> retaining spring		2	
6	999 651 409 40	Brake line Cable holder 4,75-6,0		X	
7	8K0 611 797 D	Clip		2	
8	991 355 311 27	Brake line for Pedals		1	PR:098
		with: switch - brake light			
(8)	991 355 311 28	D >> - 20.01.2014 Brake line for Brake booster		1	PR:098
		with: switch - brake light			
(8)	991 355 311 30	Integrated D - 21.01.2014>> - 20.10.2014 Brake line		1	PR:098
9	991 355 312 03	D - 21.10.2014>> Brake line for Pedals		1	PR:099
		with: switch - brake light			
(9)	991 355 312 04	D >> - 20.01.2014 Brake line for Brake booster		1	PR:099
		with: switch - brake light			
(9)	991 355 312 06	Integrated D - 21.01.2014>> - 20.10.2014 Brake line		1	PR:099
10	991 355 313 26	D - 21.10.2014>> Brake line		1	PR:098

Model: 991T13

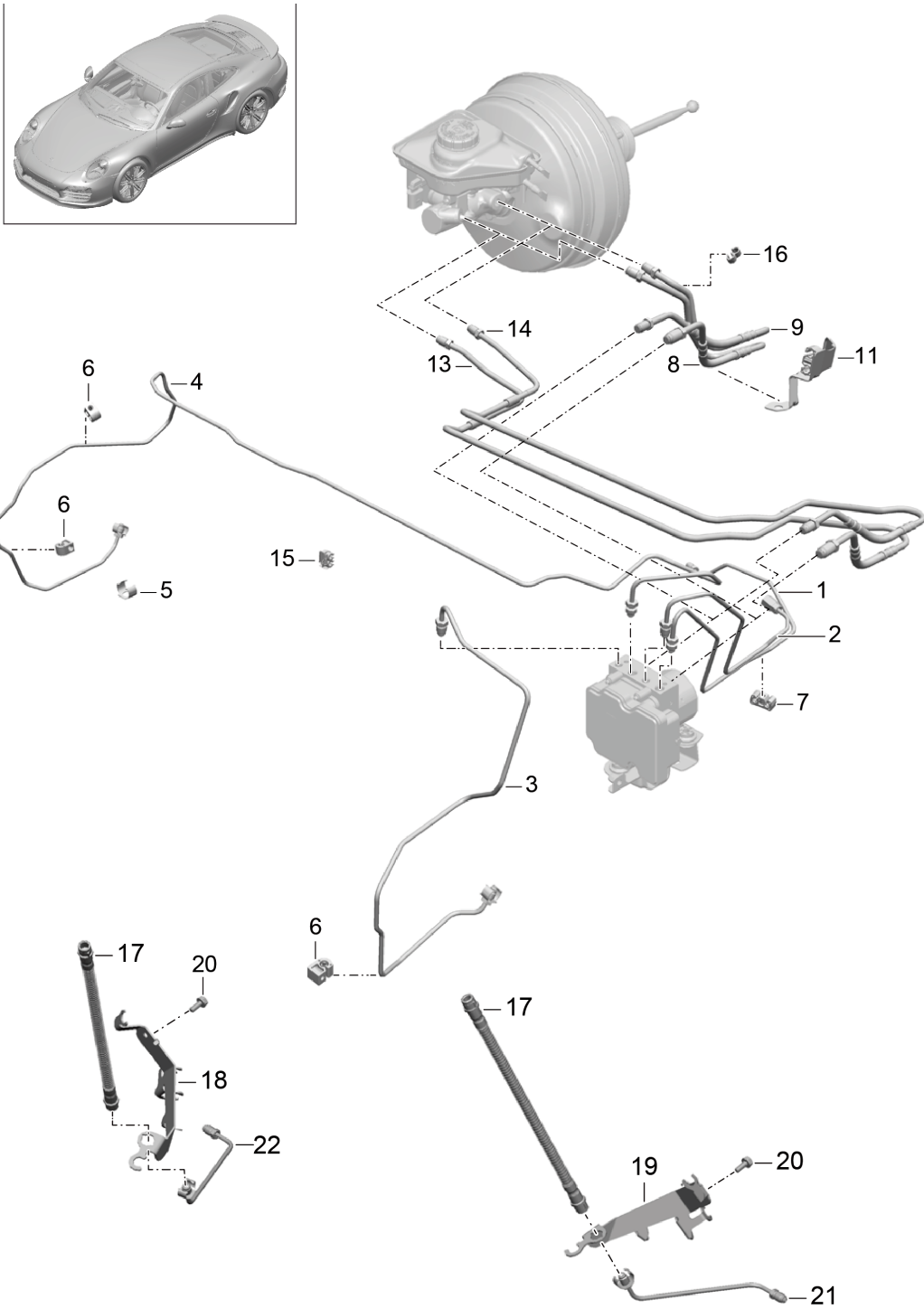
Model life 2014>>

Pos	Part Number	Description	Remark	Qty	Model
(10)	991 355 313 27	for Pedals with: switch - brake light D >> - 20.01.2014 Brake line for Brake booster		1	PR:098
(10)	991 355 313 29	with: switch - brake light Integrated D - 21.01.2014>> - 20.10.2014 Brake line D - 21.10.2014>>		1	PR:098
11	991 355 314 02	Brake line for Pedals		1	PR:099
(11)	991 355 314 03	with: switch - brake light D >> - 20.01.2014 Brake line for Brake booster		1	PR:099
(11)	991 355 314 05	with: switch - brake light Integrated D - 21.01.2014>> - 20.10.2014 Brake line D - 21.10.2014>>		1	PR:099
12	991 355 508 26	Bracket		2	PR:099
13	991 355 509 01	Bracket		1	PR:099
14	999 591 897 40	Bracket 8,00/ 8,00		3	PR:098,099, 352
15	991 355 137 01	Brake hose		2	
16	999 217 116 01	Hexagon bolt M 6 X 16		X	
17	991 355 581 05	Brake line	left	1	PR:450
(17)	991 355 581 04	Brake line	left	1	PR:-450
(17)	991 355 582 05	Brake line	right	1	PR:450
(17)	991 355 582 04	Brake line	right	1	PR:-450
18	991 355 501 01	Bracket Brake hose	left	1	
(18)	991 355 502 01	Bracket Brake hose	right	1	



Model: 991T13

Model life 2014>>



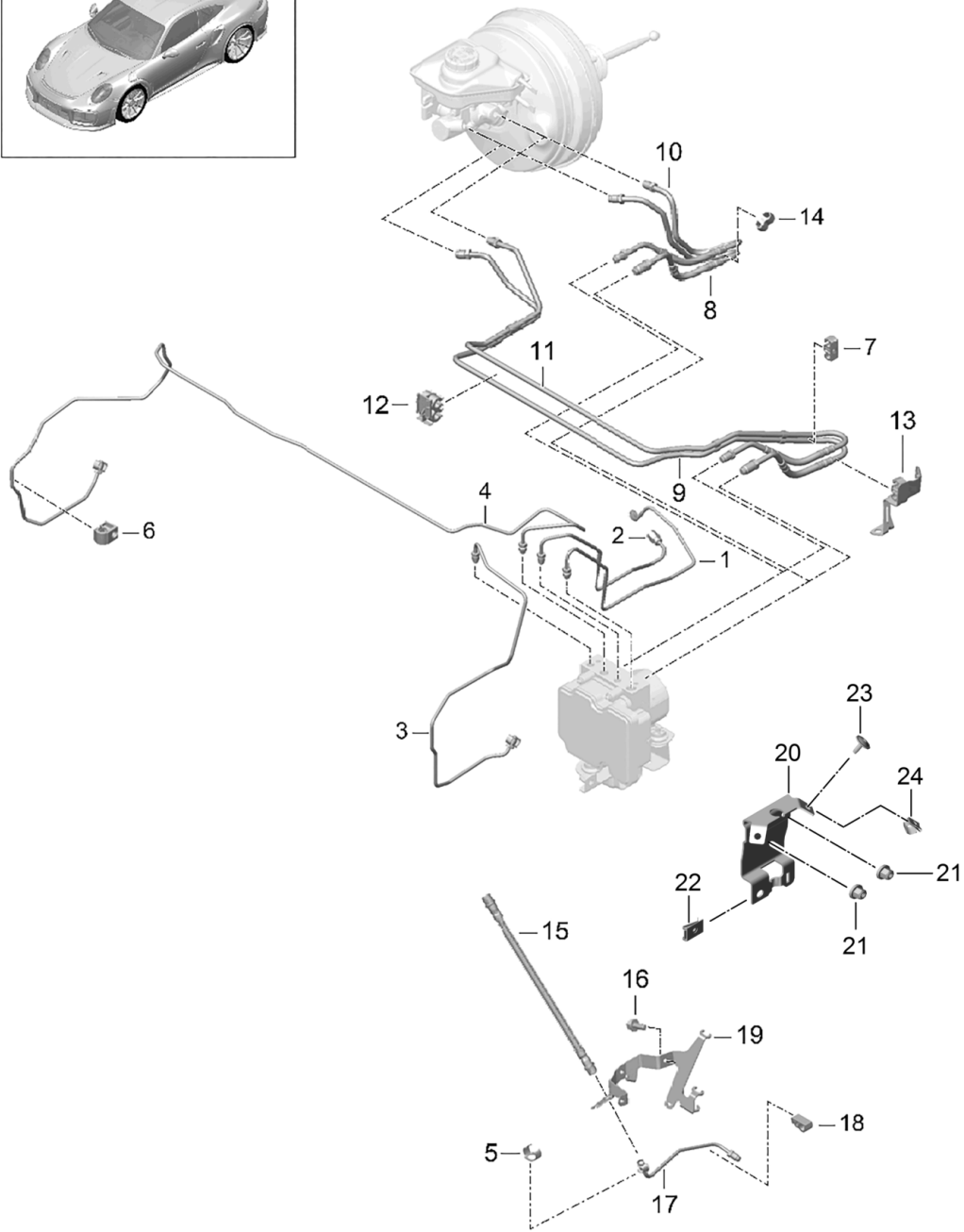
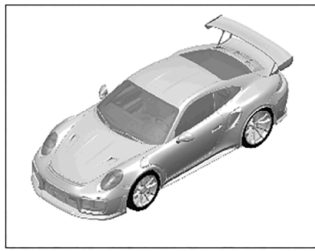
Model: 991T13

Model life 2014>>

Pos	Part Number	Description	Remark	Qty	Model
		Brake lines Front end D - MJ 2017>>	front		PR:-D97
1	991 355 316 12	Brake line		1	
2	991 355 315 07	Brake line		1	
3	991 355 175 05	Brake line		1	
4	991 355 176 06	Brake line		1	
6	95B 611 797	Clip 4,75-6,0		4	
7	8K0 611 797 G	Brake line bracket		2	
8	991 355 311 30	Brake line		1	PR:098
9	991 355 313 29	Brake line		1	PR:098
11	991 355 509 10	Bracket		1	PR:099,-031
(11)	991 355 509 01	Bracket		1	PR:099,031, 352
13	991 355 312 06	Brake line		1	PR:099
14	991 355 314 05	Brake line		1	PR:099
15	991 355 508 26	Bracket		2	PR:099
16	999 591 897 40	Bracket 8,00/8,00		1	PR:098
(16)	999 591 897 40	Bracket 8,00/8,00		3	PR:099
17	991 355 137 01	Brake hose		2	
18	9P1 611 845	Bracket	left	1	
19	9P1 611 846	Bracket	right	1	
20	999 217 116 01	Hexagon bolt M 6 X 16		2	
21	991 355 581 04	Brake line	left	1	PR:-450
(21)	991 355 581 05	Brake line	left	1	PR:450
22	991 355 582 04	Brake line	right	1	PR:-450
(22)	991 355 582 05	Brake line	right	1	PR:450

Model: 991T13

Model life 2014>>



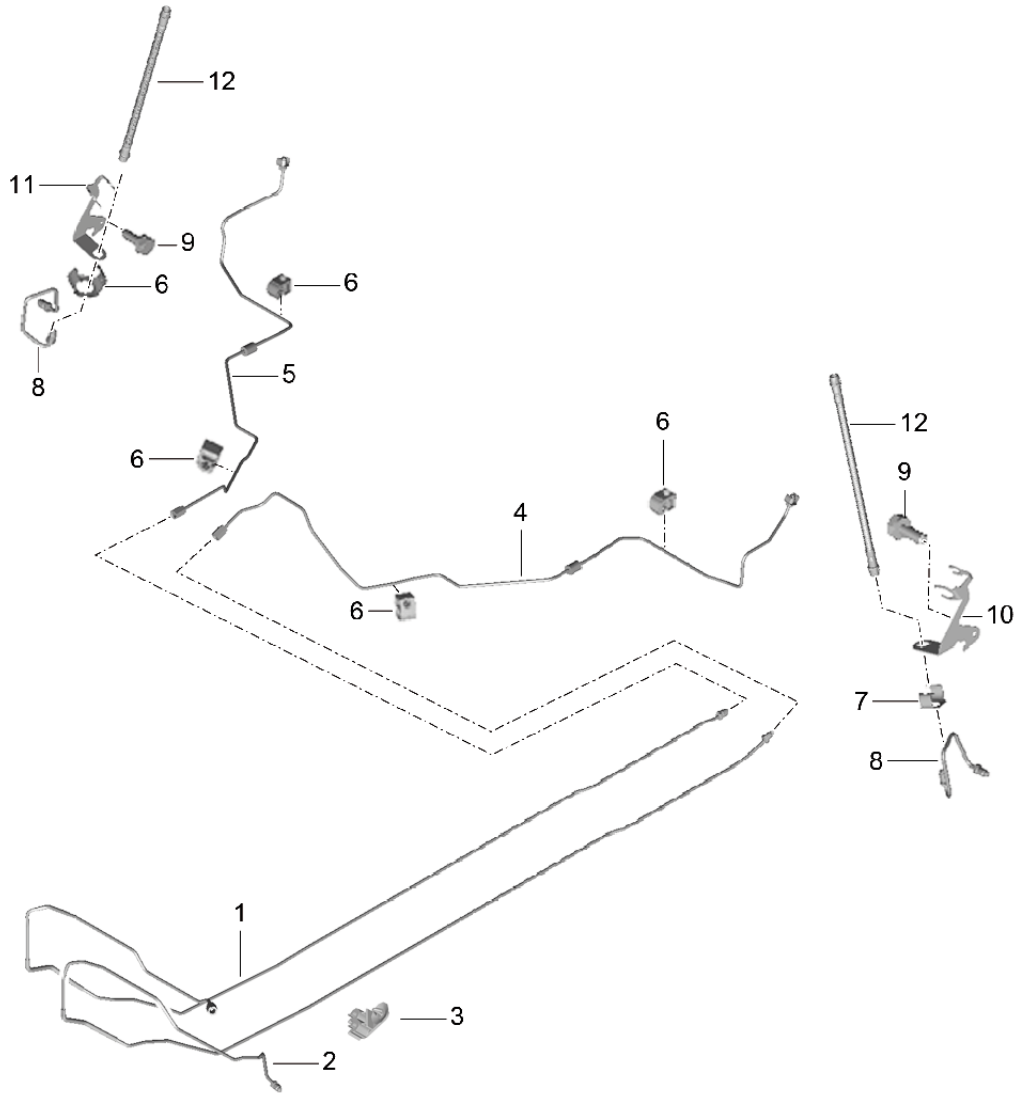
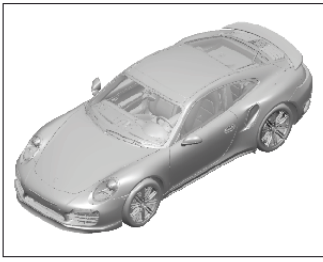
Model: 991T13

Model life 2014&gt;&gt;

Pos	Part Number	Description	Remark	Qty	Model
		Brake lines Front end	front		PR:D97
1	991 355 316 80	Brake line		1	
2	991 355 315 80	Brake line		1	
3	991 355 175 05	Brake line		1	
4	991 355 176 80	Brake line		1	
5	997 355 331 00	retaining spring		2	
6	95B 611 797	Brake line Clip 4,75-6,0		11	
7	8K0 611 797 G	Brake line bracket		1	PR:474
(7)	8K0 611 797 G	Brake line bracket		2	PR:-474
8	991 355 311 30	Brake line		1	PR:098
9	991 355 312 06	Brake line		1	PR:099
10	991 355 313 29	Brake line		1	PR:098
11	991 355 314 05	Brake line		1	PR:099
12	991 355 508 01	Bracket		2	PR:099
13	991 355 509 10	Bracket		1	PR:099
14	999 591 897 40	Bracket 8,00/ 8,00		1	PR:098
(14)	999 591 897 40	Bracket 8,00/ 8,00		3	PR:099
15	991 355 137 01	Brake hose		2	
16	999 217 116 01	Hexagon bolt M 6 X 16		2	
17	991 355 581 81	Brake line	left	1	PR:450
(17)	991 355 582 81	Brake line	right	1	PR:450
18	944 612 627 00	Line holder		2	
19	991 355 501 80	Bracket	left	1	
(19)	991 355 502 80	Brake hose Bracket	right	1	
20	991 343 815 80	Brake hose		2	
21	999 049 033 40	Bracket Plastic nut T 6		4	PR:625
22	N 901 686 07	Speed nut	M6X23,4X16	2	
23	999 591 855 01	panel nut	ST4,8	2	
24	999 073 519 01	panel screw	ST4,8X13-F	2	

Model: 991T13

Model life 2014>>



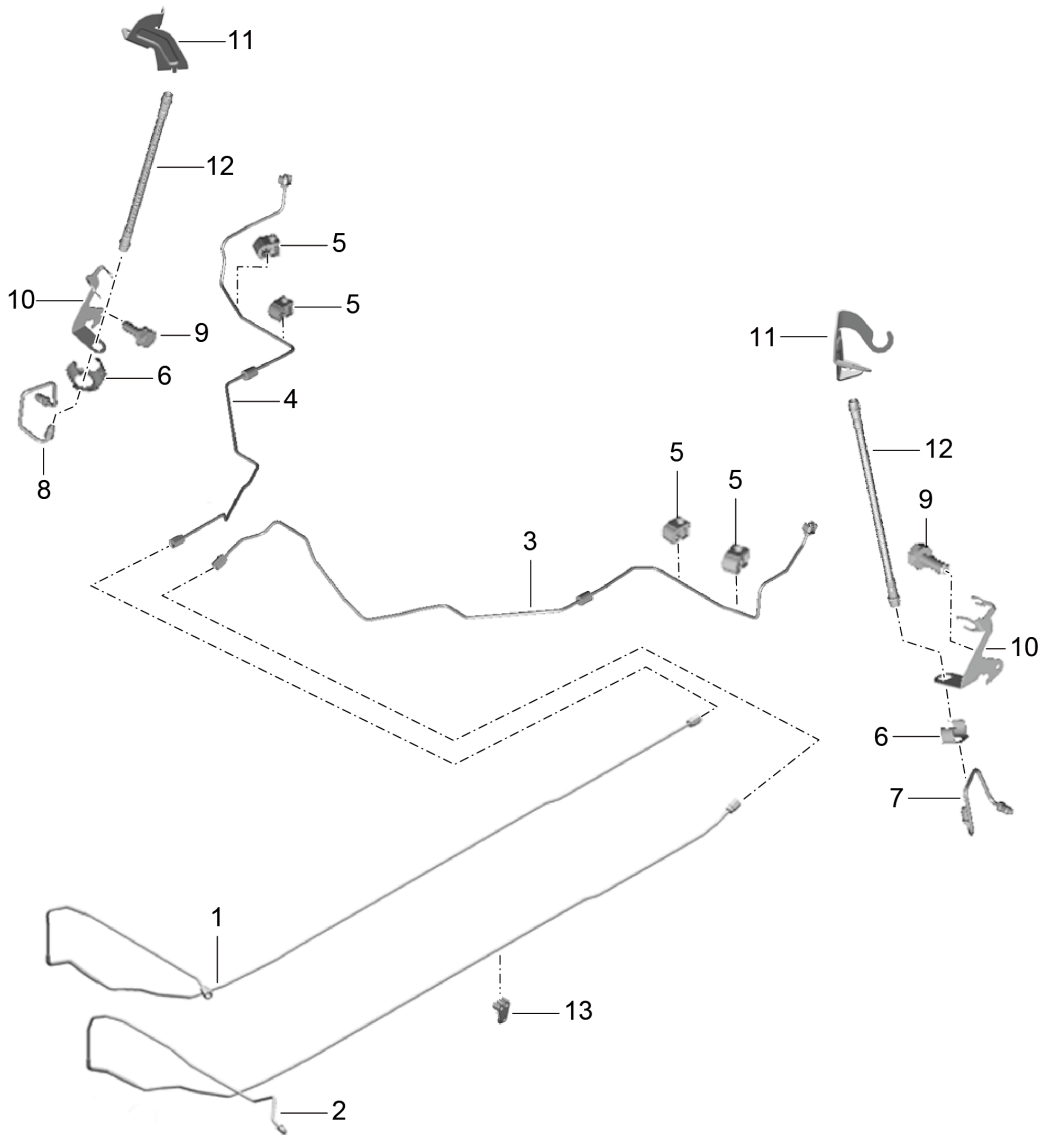
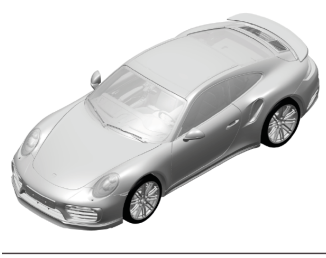
Model: 991T13

Model life 2014>>

Pos	Part Number	Description	Remark	Qty	Model
		Brake lines Underbody	center rear		PR:-D97
1	991 355 179 04	D >> - MJ 2016 Brake line		1	
(1)	991 355 179 10	D >> - 08.01.2014 Brake line		1	
(1)	991 355 179 11	D - 09.01.2014>> - 20.10.2014 Brake line		1	
2	991 355 177 03	D - 21.10.2014>> Brake line		1	
(2)	991 355 177 10	D >> - 08.01.2014 Brake line		1	
(2)	991 355 177 12	D - 09.01.2014>> - 27.04.2014 Brake line		1	
(2)	991 355 177 13	D - 28.04.2014>> - 20.10.2014 Brake line		1	
3	991 355 510 02	D - 21.10.2014>> Bracket		2	
4	991 355 189 51	Brake line	left	1	
(4)	991 355 189 53	D >> - 05.09.2014 Brake line	left	1	
(4)	991 355 189 54	D - 08.09.2014>> - 20.10.2014 Brake line	left	1	
5	991 355 190 51	D - 21.10.2014>> Brake line	right	1	
(5)	991 355 190 53	D >> - 20.10.2014 Brake line	right	1	
6	999 651 409 40	D - 21.10.2014>> Cable holder		11	
7	997 355 331 00	4,75 - 6,00 retaining spring		2	
8	991 355 585 02	Brake line	left	1	PR:-450
(8)	991 355 586 02	Brake line	right	1	PR:-450
(8)	991 355 585 03	Brake line	left	1	PR:450
(8)	991 355 586 03	Brake line	right	1	PR:450
9	999 217 116 01	Hexagon bolt		X	
10	991 355 505 02	M 6 X 16 Retainer for brake hose	left	1	
(10)	991 355 506 02	Retainer for brake hose	right	1	
11	991 355 503 02	Retainer for brake hose	left	1	PR:-450
(11)	991 355 504 02	Retainer for brake hose	right	1	PR:-450
(11)	991 355 504 03	Retainer for brake hose	right	1	PR:450
(11)	991 355 503 03	Retainer for brake hose	left	1	PR:450
12	991 355 137 01	Brake hose		2	

Model: 991T13

Model life 2014>>



Model: 991T13

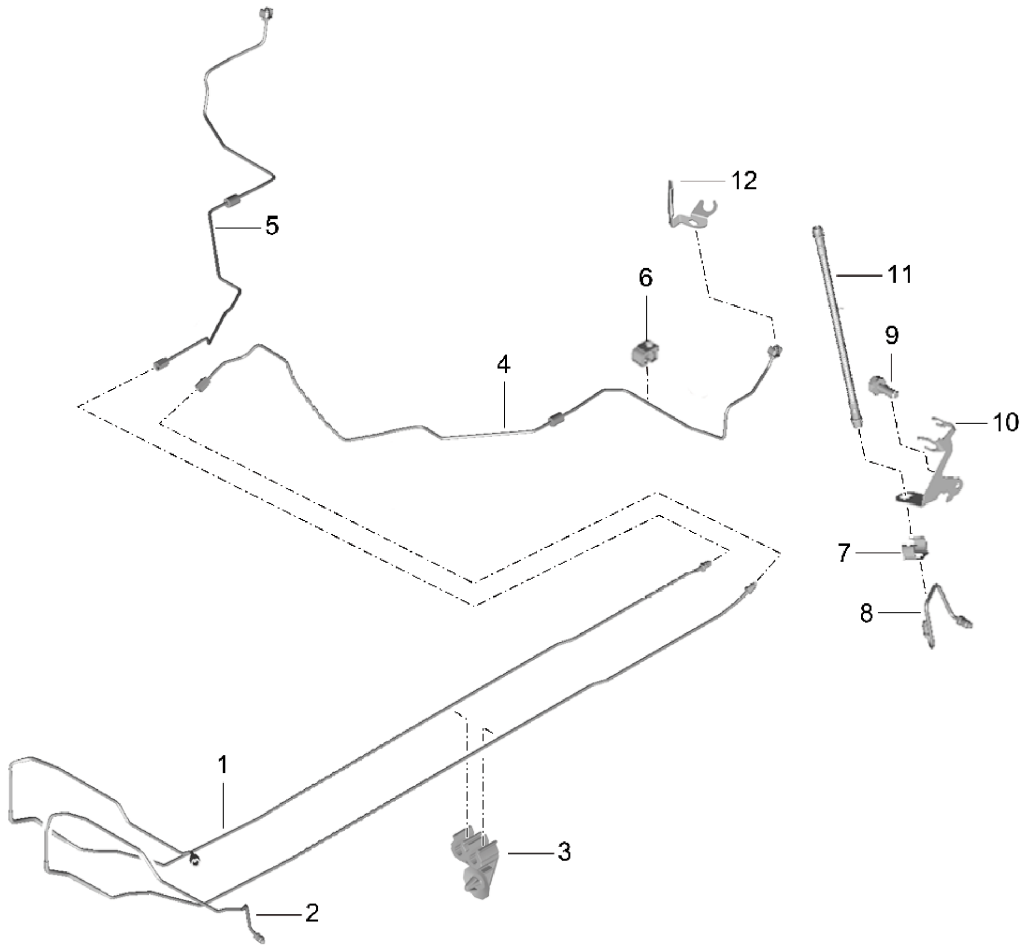
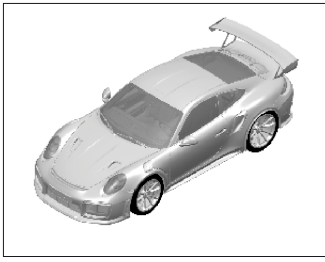
Model life 2014>>

Pos	Part Number	Description	Remark	Qty	Model
		Brake lines Underbody D - MJ 2017>>	center rear		PR:-D97
1	991 355 179 11	Brake line		1	
2	991 355 177 13	Brake line		1	
3	991 355 189 54	Brake line	left	1	
4	991 355 190 62	Brake line	right	1	
5	95B 611 797	Clip 4,75-6,0		4	
6	997 355 331 00	retaining spring		2	
7	991 355 585 02	Brake line	left	1	PR:-450
(7)	991 355 585 03	Brake line	left	1	PR:450
8	991 355 586 02	Brake line	right	1	PR:-450
(8)	991 355 586 03	Brake line	right	1	PR:450
9	999 217 116 01	Hexagon bolt M 6 X 16		2	
10	991 355 503 02	Retainer for brake hose Mount Wheel carrier	left	1	PR:-450
(10)	991 355 503 03	Retainer for brake hose Mount Wheel carrier	left	1	PR:450
(10)	991 355 504 02	Retainer for brake hose Mount Wheel carrier	right	1	PR:-450
(10)	991 355 504 03	Retainer for brake hose Mount Wheel carrier	right	1	PR:450
11	991 355 505 03	Retainer for brake hose Mount Body	left	1	
(11)	991 355 506 03	Retainer for brake hose Mount Body	right	1	
12	991 355 137 01	Brake hose		2	
13	991 355 510 02	Bracket Clip		2	



Model: 991T13

Model life 2014>>



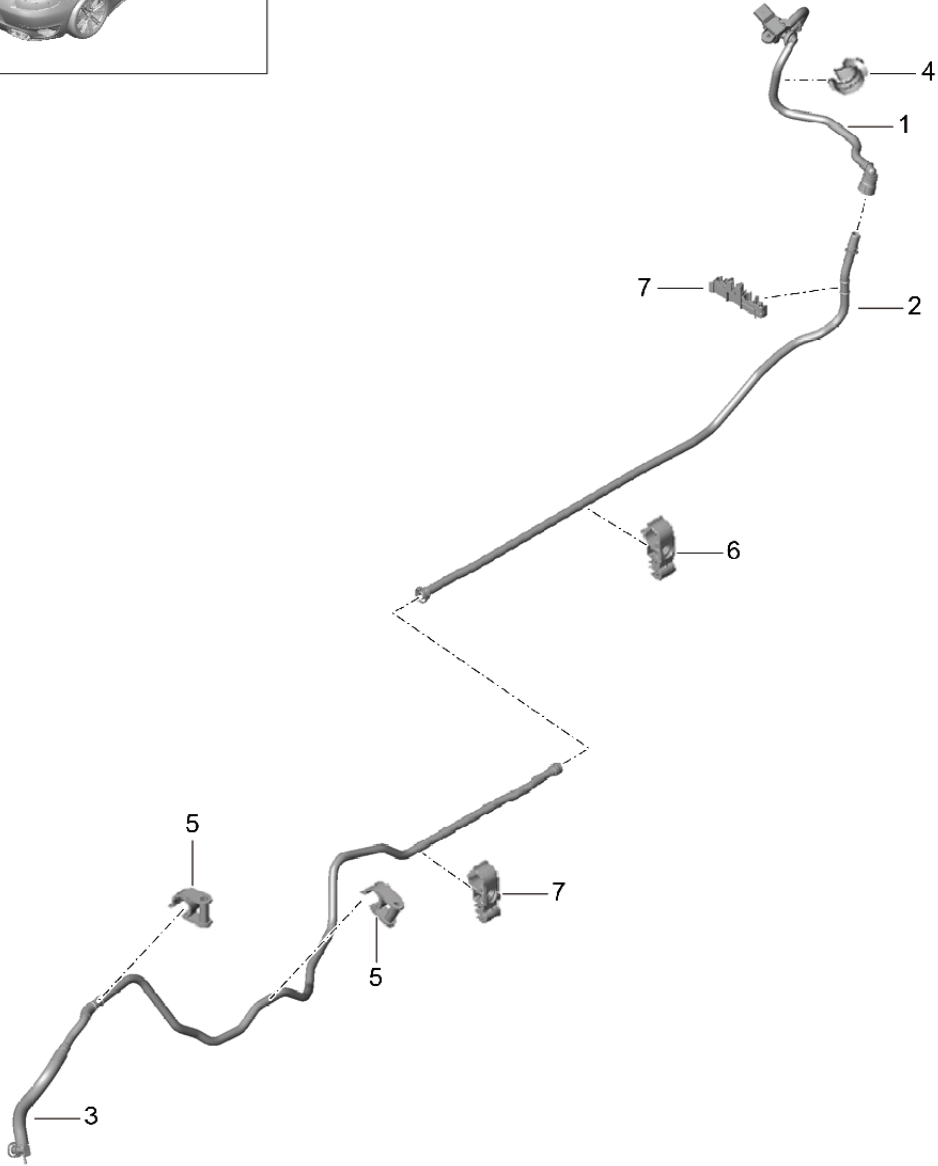
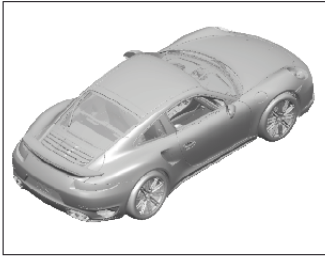
Model: 991T13

Model life 2014>>

Pos	Part Number	Description	Remark	Qty	Model
		Brake lines	center		PR:D97
		Underbody	rear		
1	991 355 179 82	Brake line		1	
2	991 355 177 83	Brake line		1	
3	991 355 510 02	Bracket		2	
4	991 355 189 81	Brake line	left	1	
5	991 355 190 12	Brake line	right	1	
6	95B 611 797	Clip 4,75-6,0		4	
7	997 355 331 00	retaining spring		2	
		Brake line			
8	991 355 585 03	Brake line	left	1	PR:450
(8)	991 355 586 03	Brake line	right	1	PR:450
9	999 217 116 01	Hexagon bolt M 6 X 16		2	
10	991 355 503 83	Retainer for brake hose	left	1	
		Wheel carrier			
(10)	991 355 504 83	Retainer for brake hose	right	1	
		Wheel carrier			
11	991 355 137 01	Brake hose		2	
12	991 355 505 80	Bracket	left	1	
		Brake hose			
		Wheel housing			
(12)	991 355 506 80	Bracket	right	1	
		Brake hose			
		Wheel housing			

Model: 991T13

Model life 2014>>



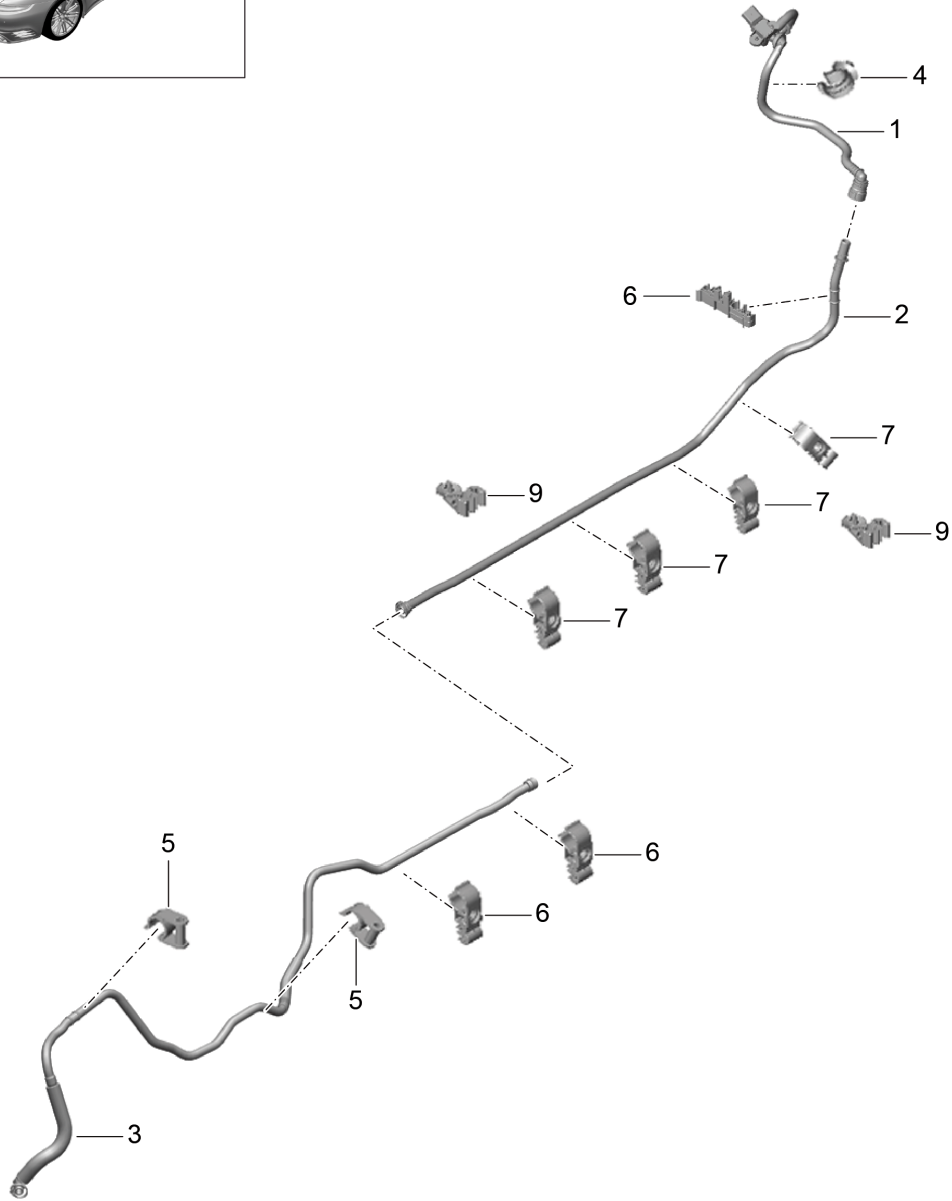
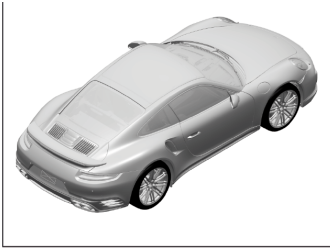
Model: 991T13

Model life 2014>>

Pos	Part Number	Description	Remark	Qty	Model
		Vacuum line	front center rear		PR:-D97
1	991 355 577 05	D >> - MJ 2016 Vacuum line		1	PR:098
		Discontinued part			
1	991 355 577 04	Vacuum line		1	PR:098
(1)	991 355 578 03	Vacuum line		1	PR:099
		Discontinued part			
(1)	991 355 578 02	Vacuum line		1	PR:099
2	991 355 571 03	Vacuum line		1	
3	991 355 575 06	Vacuum line	rear	1	
		Discontinued part			
(3)	991 355 575 05	Vacuum line	rear	1	
4	999 507 968 41	Clip 15,0		1	PR:098
5	999 591 964 40	Bracket 15,0		2	
6	991 355 512 01	Bracket		6	
		Discontinued part			
(6)	991 355 512 02	Bracket		6	
7	991 355 510 02	Bracket		2	

Model: 991T13

Model life 2014>>



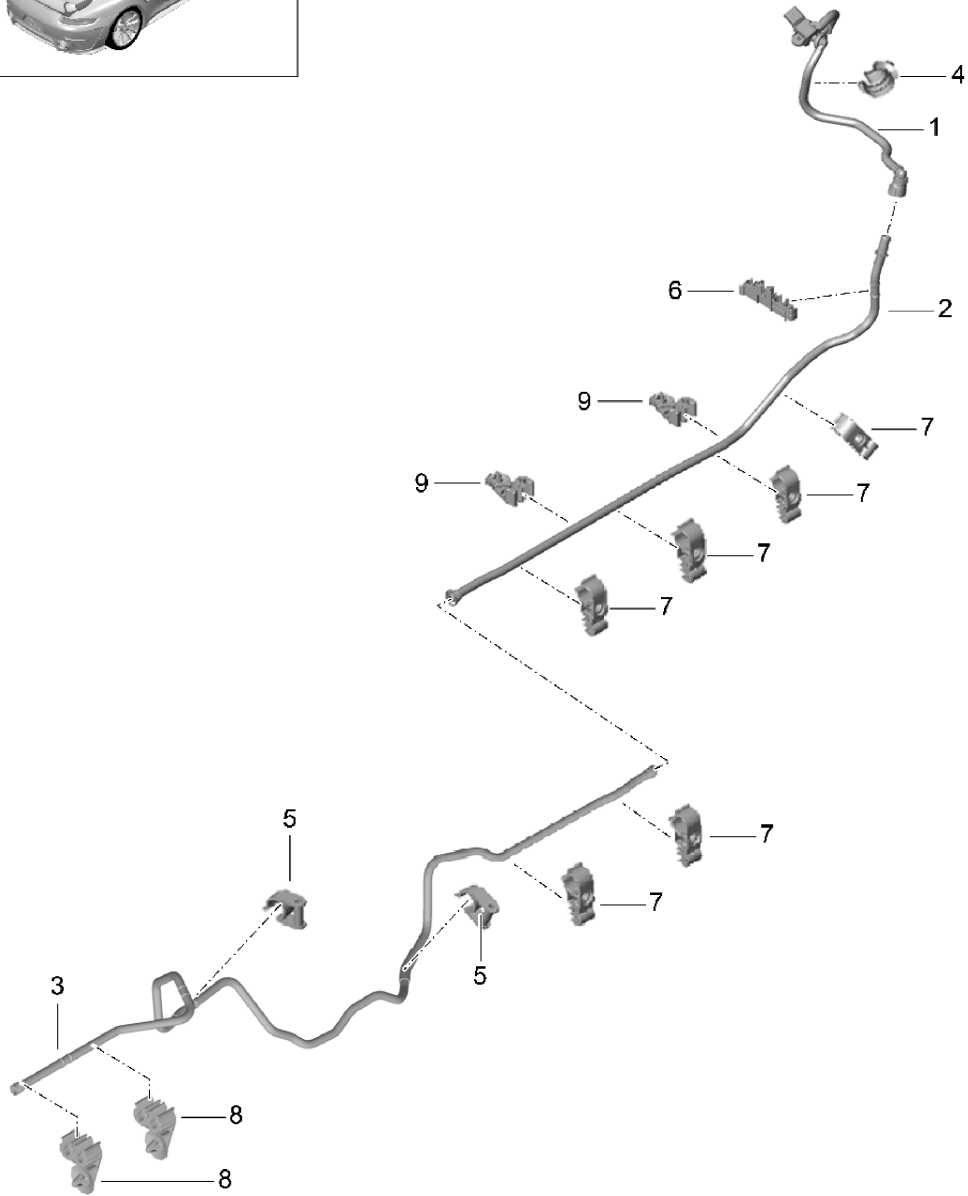
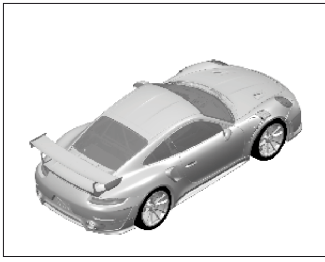
Model: 991T13

Model life 2014>>

Pos	Part Number	Description	Remark	Qty	Model
		Vacuum line Brake servo	front center rear		PR:-D97
1	991 355 577 04	D - MJ 2017>> Vacuum line	lhd	1	PR:098
(1)	991 355 578 02	Vacuum line	rhd	1	PR:099
2	991 355 571 02	Vacuum line		1	
3	991 355 575 05	Vacuum line		1	
4	999 507 968 41	Clip 15,0		1	
5	999 591 964 40	Bracket 15,0		6	
6	991 355 507 50	Bracket		1	PR:-474
(6)	991 355 507 60	Bracket		1	PR:474
7	991 355 512 02	Bracket		6	PR:-474
(7)	991 355 512 11	Bracket		6	PR:474
9	991 355 510 02	Bracket		2	

Model: 991T13

Model life 2014>>



Model: 991T13

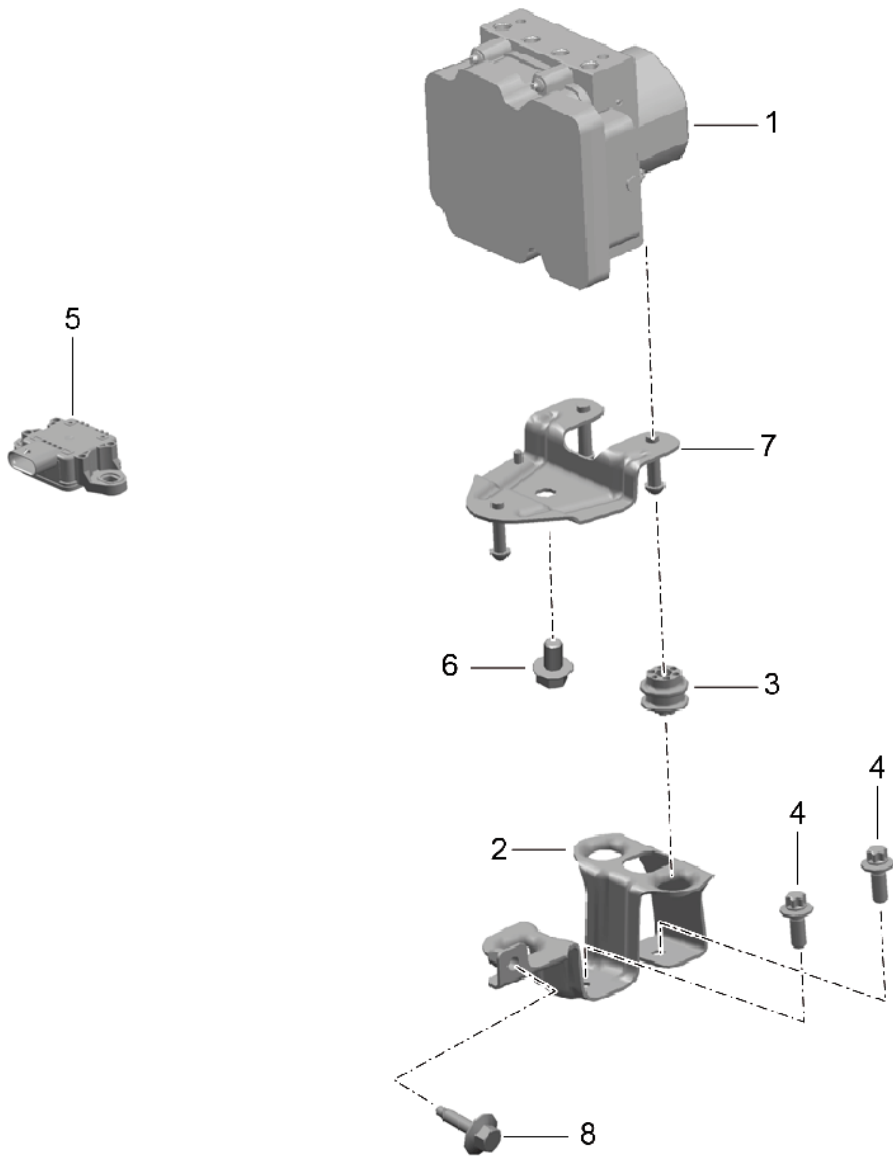
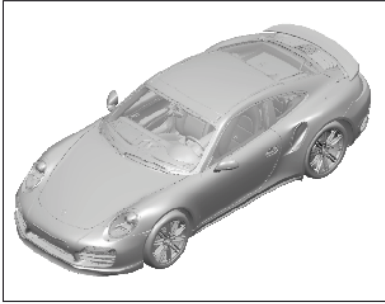
Model life 2014>>

Pos	Part Number	Description	Remark	Qty	Model
1	991 355 577 10	Vacuum line		1	PR:D97
(1)	991 355 578 10	Vacuum line		1	PR:098
2	991 355 571 02	Vacuum line		1	PR:099
3	991 355 575 05	Vacuum line	rear	1	
4	999 507 968 41	Clip 15,0		1	
5	999 591 964 40	Bracket 15,0		2	
6	991 355 507 50	Bracket		1	PR:-474
(6)	991 355 507 60	Bracket		1	PR:474
(6)	991 355 508 01	Bracket		2	PR:099
7	991 355 512 02	Bracket		6	
8	991 355 510 02	Bracket		2	
9	991 355 875 80	Bracket		1	



Model: 991T13

Model life 2014>>



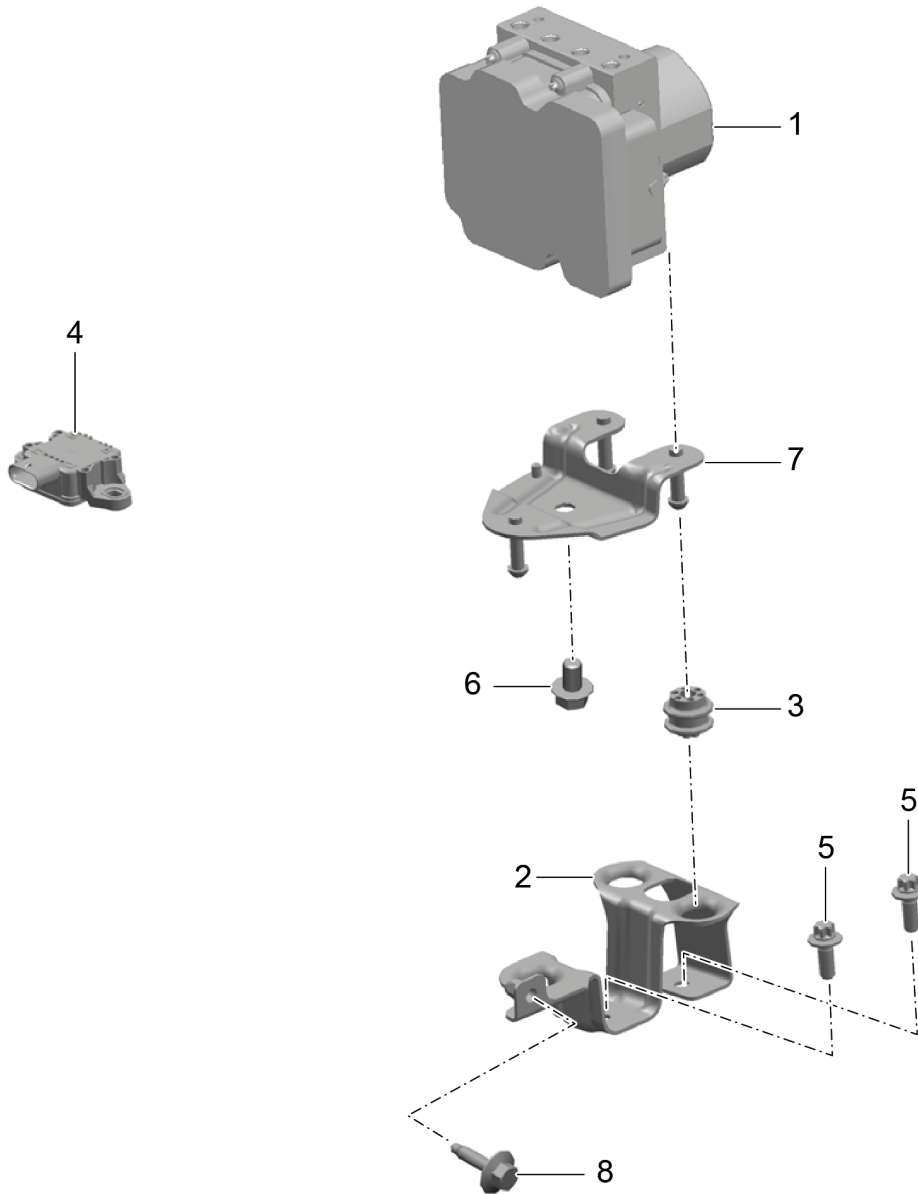
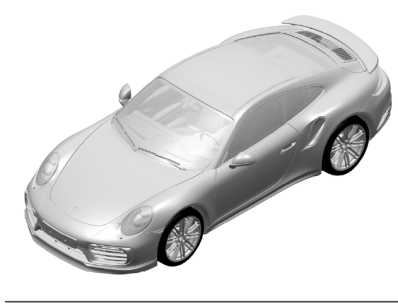
Model: 991T13

Model life 2014>>

Pos	Part Number	Description	Remark	Qty	Model
		Hydraulic unit anti-locking brake syst. -abs- Control D >> - MJ 2016			PR: -D97
1	991 355 955 51	Hydraulic unit		1	
2	991 355 033 01	Bracket		1	
3	958 355 177 10	Stop buffer		3	
4	999 073 556 01	Hexagon bolt M 8 X 30		2	
5	991 606 145 03	Sensor		1	
6	900 378 346 01	Hexagon bolt M 10 X 1 X 16		1	
7	991 355 135 01	Retainer, upper part	upper	1	
8	N 909 995 02	Hex collared bolt AM 6 X 25		1	

Model: 991T13

Model life 2014>>



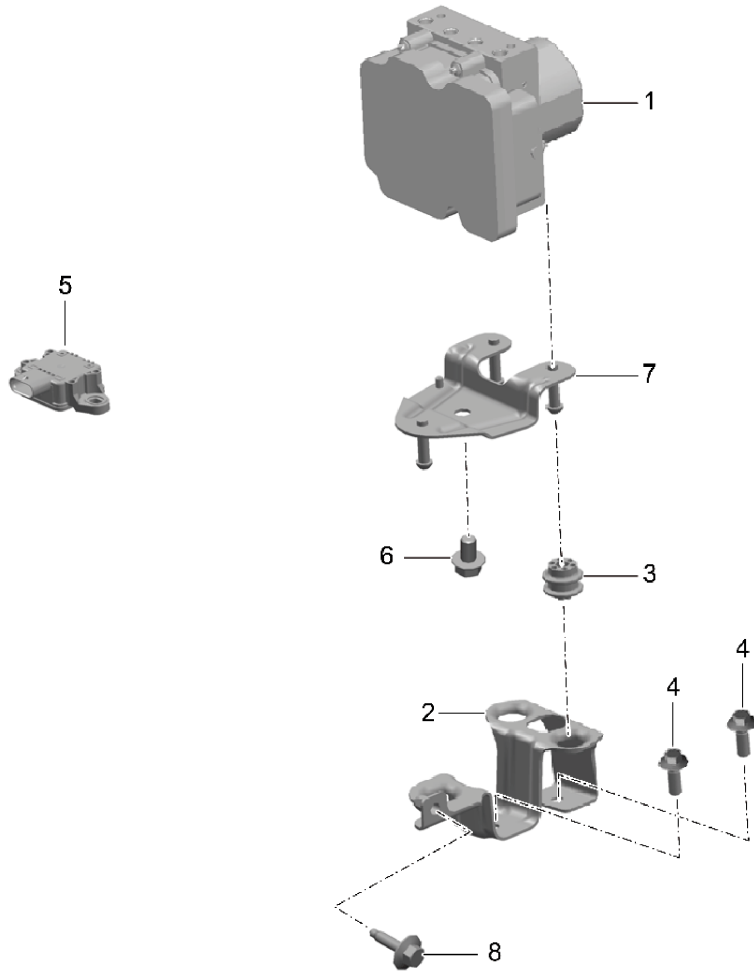
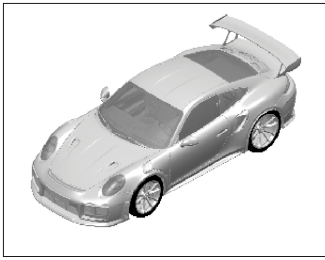
Model: 991T13

Model life 2014&gt;&gt;

Pos	Part Number	Description	Remark	Qty	Model
		Hydraulic unit anti-locking brake syst. -abs- Control D - MJ 2017>>			PR:-D97
1	9P1 698 517 E	Hydraulic unit		1	
2	991 355 033 01	Bracket		1	
3	958 355 177 10	Stop buffer		3	
4	991 606 145 03	Sensor		1	
5	999 073 556 01	Hexagon bolt M 8 X 30		2	
6	900 378 346 01	Hexagon bolt M 10 X 1 X 16		1	
7	991 355 135 01	Retainer, upper part	upper	1	
8	N 909 995 02	Hex collared bolt AM 6 X 25		1	

Model: 991T13

Model life 2014>>



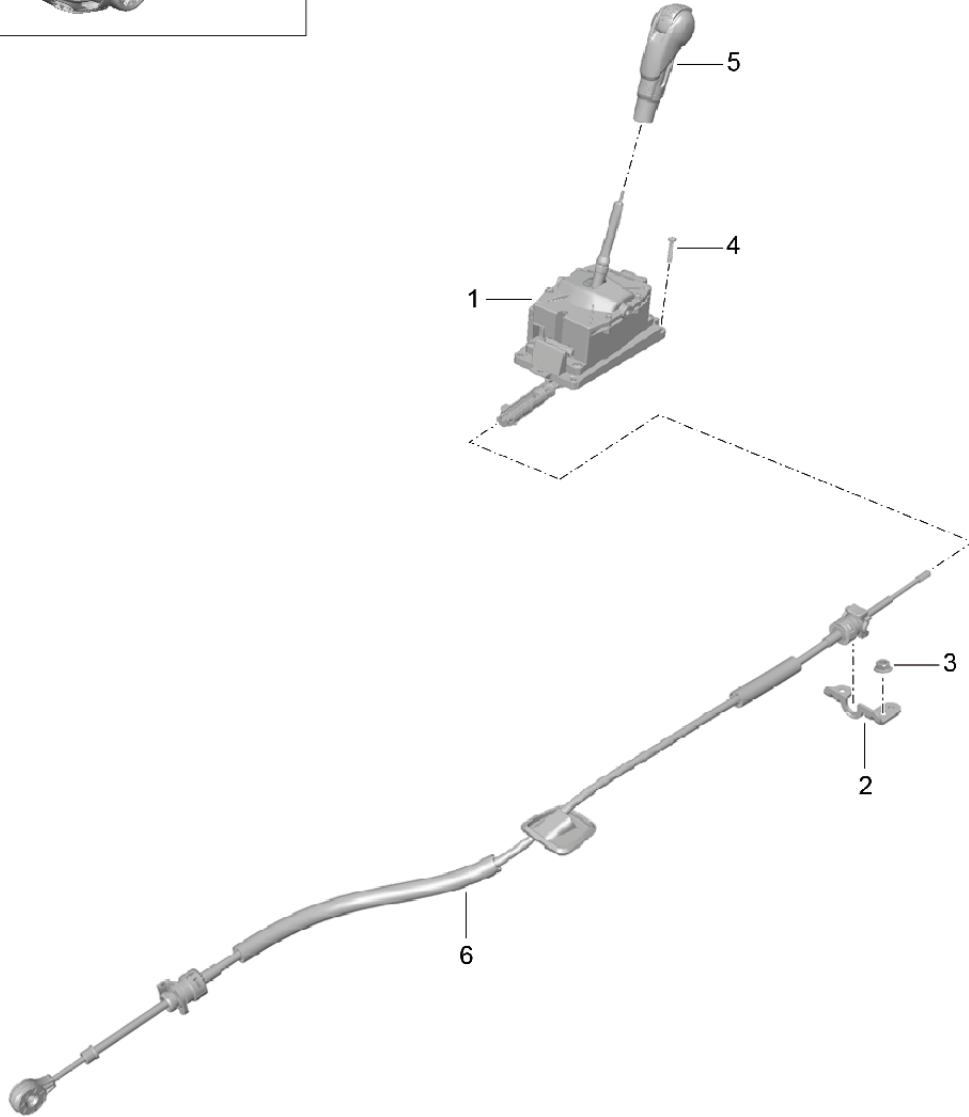
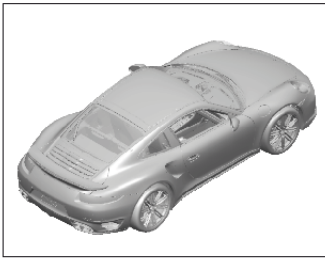
Model: 991T13

Model life 2014>>

Pos	Part Number	Description	Remark	Qty	Model
		Hydraulic unit anti-locking brake syst. -abs- Control			PR:D97
1	991 355 955 98	Hydraulic unit Discontinued part		1	
1	991 355 955 1A	Hydraulic unit		1	
2	991 355 033 01	Bracket		1	
3	958 355 177 10	Stop buffer		3	
4	9A7 008 433 00	Bolt with washer BM 8 X 30		2	
5	991 606 145 03	Sensor		1	
6	900 378 346 01	Hexagon bolt M 10 X 1 X 16		1	
7	991 355 135 01	Retainer, upper part	upper	1	
8	N 909 995 02	Hex collared bolt AM 6 X 25		1	

Model: 991T13

Model life 2014>>



Model: 991T13 Model life 2014>>

Pos	Part Number	Description	Remark	Qty	Model
1	9G1 426 011 10	selector lever - PDK - D >> - MJ 2016 Support with:		1	PR:-D97 PR:250
2	9G1 426 209 00	housing Bracket		1	PR:250
3	999 084 629 01	Hexagon nut M 6 SB		2	
4	999 919 281 01	fillister hd. bolt 5 X 30		4	
5	9G1 426 069 20	Selector knob Leather		1	PR:-XHD, -XHJ, -XYA, -XYH, -XLN
	9G1 426 069 20 DLC	Black/Matt Black	-AZ, BR, BL, BA, BQ, 99		
	9G1 426 069 20 DLD	Platinum Grey/Matt Black	-CZ		
	9G1 426 069 20 DLE	Luxor Beige/Matt Black	-UZ		
	9G1 426 069 20 DLF	Yachting Blue/Matt Black	-EZ		
	9G1 426 069 20 DLJ	Espresso/Matt Black	-NE, BH		
	9G1 426 069 20 GHF	Agate Grey/Matt Black	-DK, BV		
	9G1 426 069 20 GLF	Carrera Red/Matt Black	-NG		
(5)	9G1 426 069 25	Selector knob Alcantara		1	PR:XLN
	9G1 426 069 25 2W0	Black			
(5)	9G1 426 980 01	Selector knob aluminium		1	PR:XYA
	9G1 426 980 01 GLF	Carrera Red/Matt Black	-NG		
	9G1 426 980 01 PL1	agate grey	-DK, BV		
	9G1 426 980 01 6U7	yachting blue	-EZ		
	9G1 426 980 01 7A0	Platinum Grey	-CZ		
	9G1 426 980 01 8C0	Espresso	-NE, BH		
	9G1 426 980 01 DLC	Black	-AZ, BR, BL, BQ, BA, 99		
	9G1 426 980 01 9H6	Luxor beige	-UZ		
	9G1 426 980 01 DE1	Umber	-RK		
(5)	9G1 426 980 03	Selector knob Carbon		1	PR:XHJ
	9G1 426 980 03 N11	Carrera Red	-NG		
	9G1 426 980 03 PL1	agate grey	-DK, BV		
	9G1 426 980 03 6U7	yachting blue	-EZ		
	9G1 426 980 03 7A0	Platinum Grey	-CZ		
	9G1 426 980 03 8C0	Espresso	-NE, BH		
	9G1 426 980 03 8YR	Black	-AZ, BR, BL, BQ, BA, 99		
	9G1 426 980 03 9H6	Luxor beige	-UZ		
	9G1 426 980 03 DE1	Umber	-RK		
(5)	9G1 426 980 04	Selector knob mahagoni		1	PR:XHD
	9G1 426 980 04 N11	Carrera Red	-NG		
	9G1 426 980 04 PL1	agate grey	-DK, BV		
	9G1 426 980 04 6U7	yachting blue	-EZ		
	9G1 426 980 04 7A0	Platinum Grey	-CZ		
	9G1 426 980 04 8C0	Espresso	-NE, BH		
	9G1 426 980 04 8YR	Black	-AZ, BR, BL, BQ, BA, 99		
	9G1 426 980 04 9H6	Luxor beige	-UZ		
	9G1 426 980 04 DE1	Umber	-RK		
(5)	9G1 426 980 05	Selector knob mahagoni		1	PR:XYH
	9G1 426 980 05 N11	Carrera Red	-NG		
	9G1 426 980 05 PL1	agate grey	-DK, BV		
	9G1 426 980 05 6U7	yachting blue	-EZ		



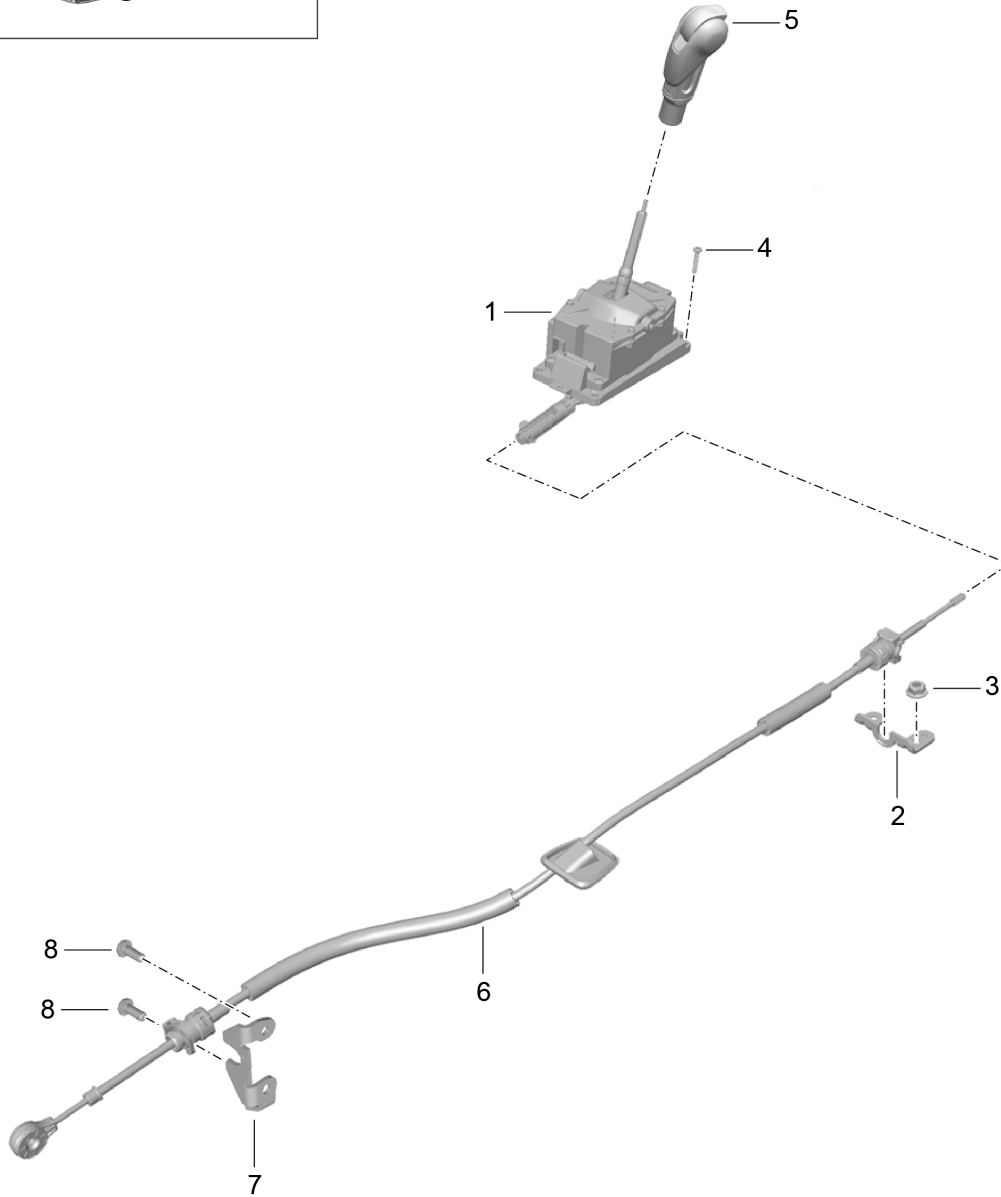
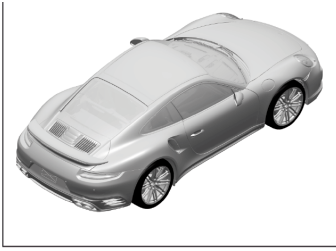
Model: 991T13

Model life 2014>>

Pos	Part Number	Description	Remark	Qty	Model
6	9G1 426 980 05 7A0	Platinum Grey	-CZ	1	
	9G1 426 980 05 8C0	Espresso	-NE, BH		
	9G1 426 980 05 8YR	Black	-AZ, BR, BL, BQ, BA, 99		
	9G1 426 980 05 9H6	Luxor beige	-UZ		
	9G1 426 980 05 DE1	Umber	-RK		
	9G1 426 033 10	Cable			

Model: 991T13

Model life 2014>>



Model: 991T13

Model life 2014>>

Pos	Part Number	Description	Remark	Qty	Model
1	9G1 426 011 10	selector lever - PDK - D - MJ 2017>> Support		1	PR:250,-D97
		with:			
2	9G1 426 209 00	housing		1	
3	999 084 629 01	Bracket		2	
		Hexagon nut M 6 SB			
4	999 919 281 01	fillister hd. bolt 5 X 30		4	
5	9G1 426 069 30	Selector knob Leather		1	PR:-XYH, -XHD,-XHJ, -XLN,-XYA
	9G1 426 069 30 8YR	Black	-AZ,BT,BM,TD, 99		
	9G1 426 069 30 OG6	Bordeaux red	-LZ		
	9G1 426 069 30 PL1	agate grey	-FZ		
	9G1 426 069 30 OH7	Graphite Blue	-HZ,BG,TG		
	9G1 426 069 30 OK6	saddle brown	-SZ		
	9G1 426 069 30 8C0	Espresso	-NE,BY		
	9G1 426 069 30 9H6	Luxor beige	-UZ		
(5)	9G1 426 980 13	Selector knob Carbon		1	PR: XHJ
	9G1 426 980 13 8YR	Black	-AZ,BT,BM,TD, 99		
	9G1 426 980 13 OG6	Bordeaux red	-LZ		
	9G1 426 980 13 PL1	agate grey	-FZ		
	9G1 426 980 13 OH7	Graphite Blue	-HZ,BG,TG		
	9G1 426 980 13 OK6	saddle brown	-SZ		
	9G1 426 980 13 8C0	Espresso	-NE,BY		
	9G1 426 980 13 9H6	Luxor beige	-UZ		
(5)	9G1 426 980 14	Selector knob mahagoni		1	PR: XHD
	9G1 426 980 14 8YR	Black	-AZ,BT,BM,TD, 99		
	9G1 426 980 14 OG6	Mahogany/bordeaux red	-LZ		
	9G1 426 980 14 PL1	Mahogany/agate grey	-FZ		
	9G1 426 980 14 OH7	Mahogany/graphite blue	-HZ,BG,TG		
	9G1 426 980 14 OK6	Mahogany/saddle brown	-SZ		
	9G1 426 980 14 8C0	Mahogany/espresso	-NE,BY		
	9G1 426 980 14 9H6	Mahogany/luxor beige	-UZ		
(5)	9G1 426 980 15	Selector knob aluminium		1	PR: XYH
	9G1 426 980 15 8YR	Black	-AZ,BT,BM,TD, 99		
	9G1 426 980 15 OG6	Bordeaux red	-LZ		
	9G1 426 980 15 PL1	agate grey	-FZ		
	9G1 426 980 15 OH7	Graphite Blue	-HZ,BG,TG		
	9G1 426 980 15 OK6	saddle brown	-SZ		
	9G1 426 980 15 8C0	Espresso	-NE,BY		
	9G1 426 980 15 9H6	Luxor beige	-UZ		
(5)	9G1 426 980 11	selector lever aluminium		1	PR: XYA
	9G1 426 980 11 8YR	Black	-AZ,BT,BM,TD, 99		
	9G1 426 980 11 OG6	Bordeaux red	-LZ		
	9G1 426 980 11 PL1	agate grey	-FZ		
	9G1 426 980 11 OH7	Graphite Blue	-HZ,BG,TG		
	9G1 426 980 11 OK6	saddle brown	-SZ		
	9G1 426 980 11 8C0	Espresso	-NE,BY		
	9G1 426 980 11 9H6	Luxor beige	-UZ		
(5)	9G1 426 980 16	selector lever		1	PR: XLN

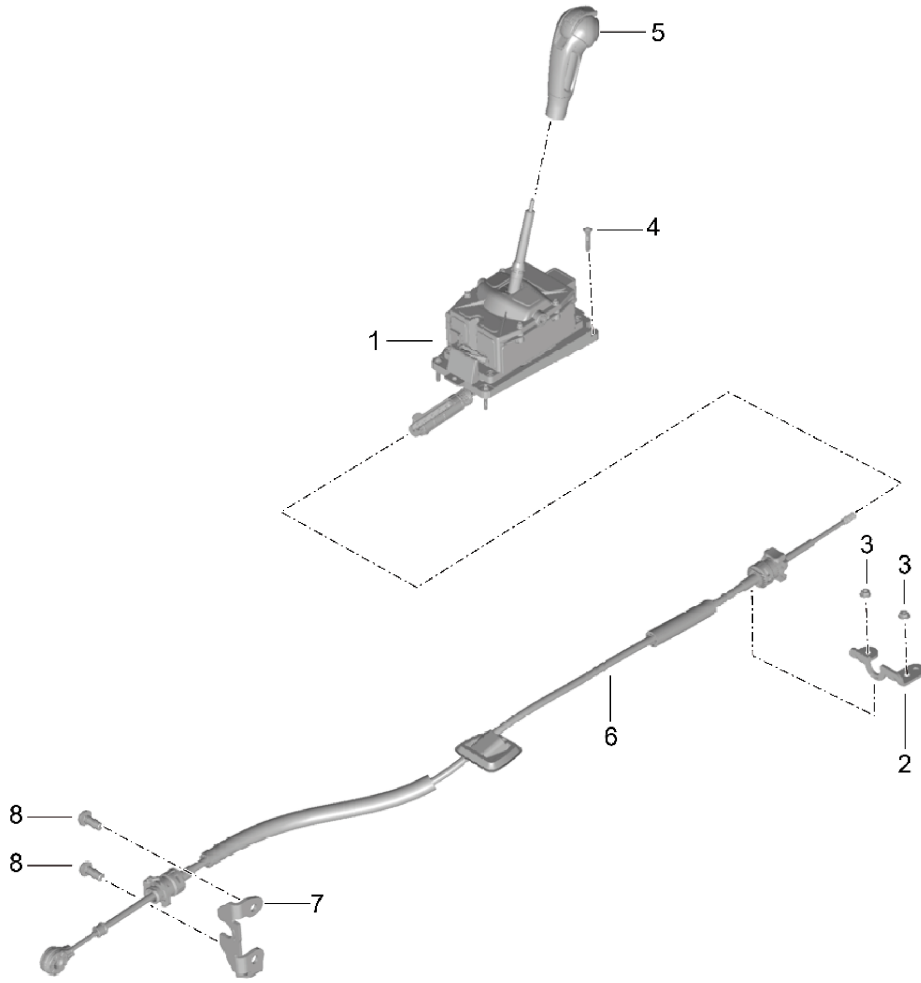
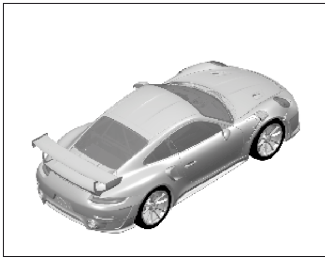
Model: 991T13

Model life 2014>>

Pos	Part Number	Description	Remark	Qty	Model
6	9G1 426 980 16 2W0 9G1 426 033 10	Alcantara Alcantara Cable		1	

Model: 991T13

Model life 2014>>



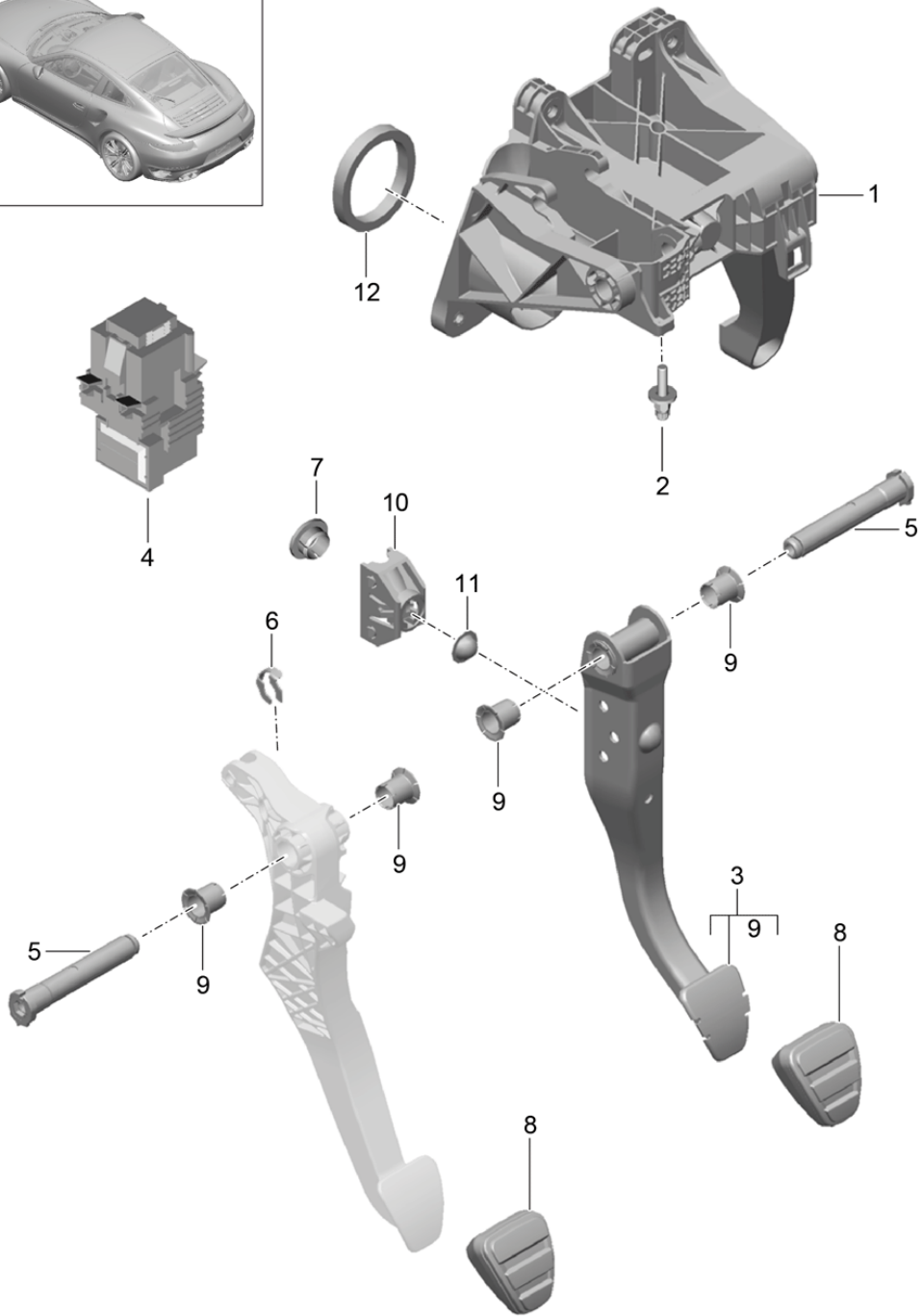
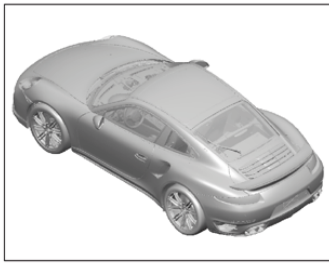
Model: 991T13

Model life 2014>>

Pos	Part Number	Description	Remark	Qty	Model
1	9G1 426 011 90	selector lever - PDK - Bracket		1	PR:D97,250
		with:			
2	9G1 426 209 00	housing Bracket		1	
3	999 084 629 01	Hexagon nut M 6		2	
4	999 919 281 01	fillister hd. bolt 5 X 30		4	
5	9G1 426 069 91	selector lever Alcantara		1	PR:308
	9G1 426 069 91 2W0	Black			
(5)	9G1 426 069 95	selector lever Leather		1	PR:309
	9G1 426 069 95 8YR	Black			
6	9G1 426 033 10	Cable		1	
7	9G1 426 211 05	Bracket		1	
8	9G1 426 801 00	flat round head bolt M 8 X 20		2	

Model: 991T13

Model life 2014>>



Model: 991T13

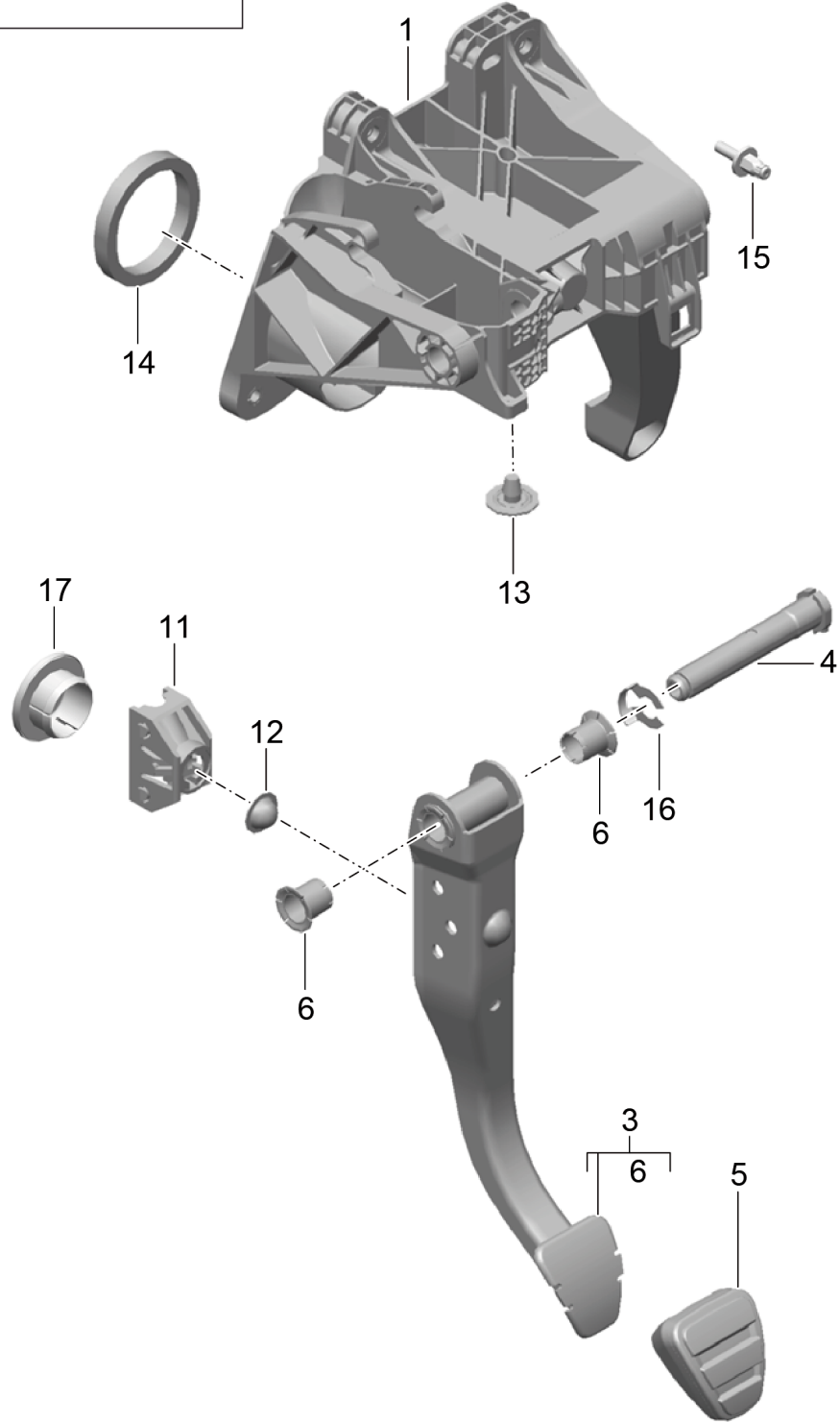
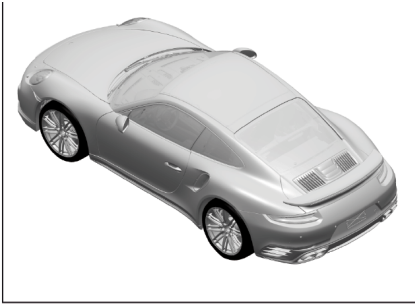
Model life 2014>>

Pos	Part Number	Description	Remark	Qty	Model
		Pedals			PR:-D97
		D >> - MJ 2016			
1	991 423 065 00	Bracket		1	PR:098
		Discontinued part			
1	991 423 065 01	Bracket		1	PR:098
(1)	991 423 066 00	Bracket		1	PR:099
2	999 080 072 01	Fastening screw		1	
		M 8 X 26			
3	991 423 041 20	brake pedal		1	PR:098,250,
		also use:		1	-XXV
			991 423 112 00		
(3)	991 423 041 21	No longer use the part here brake pedal		1	PR:098,250,
		also use:		1	-XXV
			991 423 112 00		
(3)	991 423 042 20	brake pedal		1	PR:099,250,
		also use:		1	-XXV
			991 423 112 00		
(3)	991 423 042 21	No longer use the part here brake pedal		1	PR:099,250,
		also use:		1	-XXV
			991 423 112 00		
4	970 606 451 00	Sensor		1	
		brake pedal			
5	991 423 283 00	bearing pin		1	PR:098
		brake pedal			
(5)	991 423 284 00	bearing pin		1	PR:099
		brake pedal			
6	999 166 092 01	Kl-lock		2	
		KL 16			
7	991 423 291 00	Bungs		1	PR:250
		Firewall			
8	997 423 912 00	Cap for foot brake pedal		1	PR:-XXV,250
(8)	991 423 112 00	Pedal cap		1	PR:XXV,250
9	7PP 721 113	bush		2	PR:250
10	955 423 330 00	Support		1	
		push rod			
		No longer use the part here			
10	1J0 721 165	Support		1	
		push rod			
11	955 423 341 00	bearing shell		1	
		Support			
12	991 423 275 00	Seal		1	PR:098
		Firewall			
(12)	991 423 276 00	Seal		1	PR:099
		Firewall			
		No longer use the part here			
(12)	991 423 276 01	Seal		1	PR:099
		Firewall			



Model: 991T13

Model life 2014>>



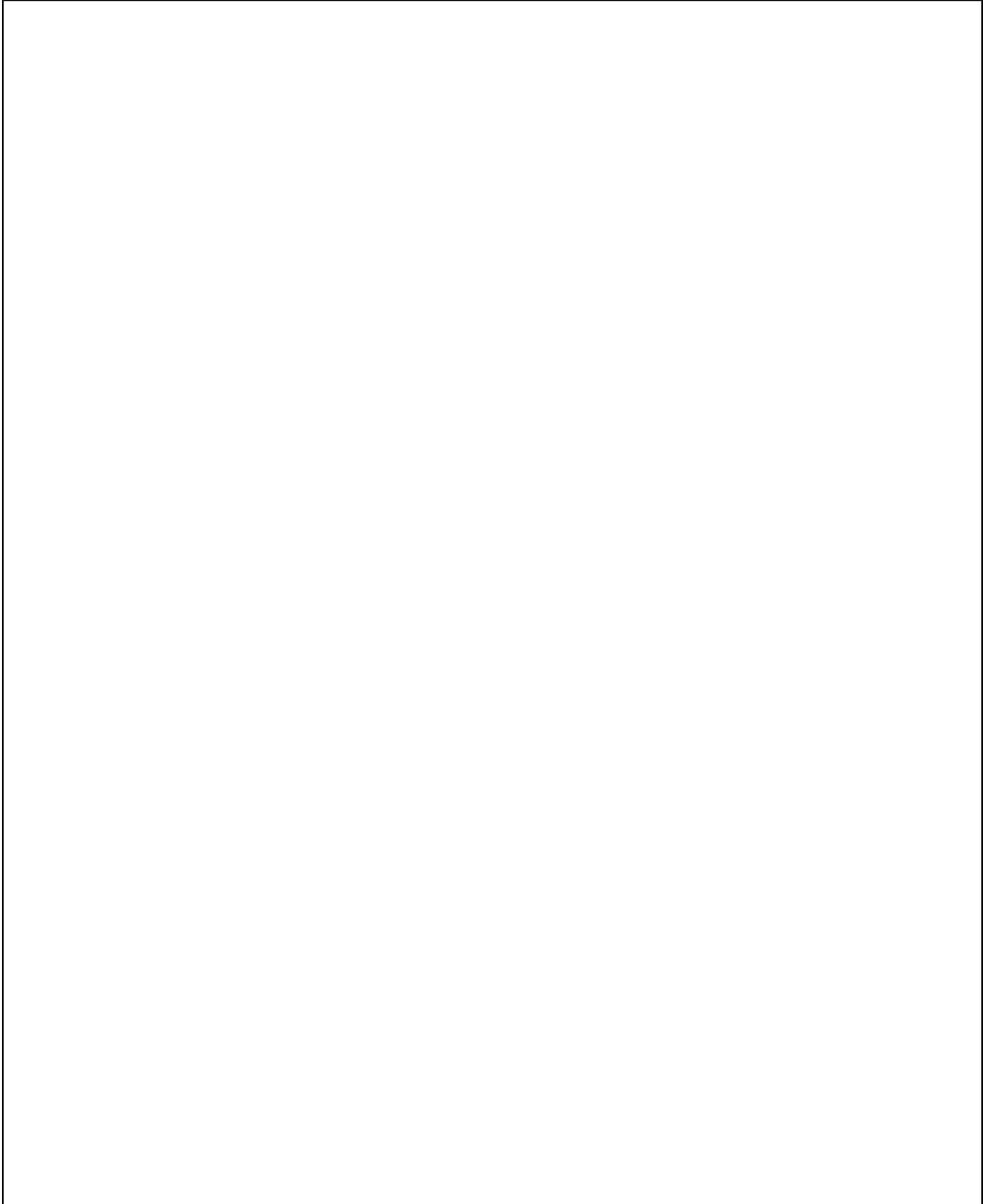
Model: 991T13

Model life 2014>>

Pos	Part Number	Description	Remark	Qty	Model
		Pedals			PR:-D97
		brake pedal			
		D - MJ 2017>>			
1	991 423 065 01	Bracket		1	PR:098
(1)	991 423 066 00	Bracket		1	PR:099
3	991 423 041 21	brake pedal		1	PR:098,250
		also use:		1	
		Pedal cap			
(3)	991 423 042 21	brake pedal		1	PR:099,250
		also use:		1	
		Pedal cap			
4	991 423 283 00	bearing pin		1	PR:098
		brake pedal			
(4)	991 423 284 00	bearing pin		1	PR:099
		brake pedal			
5	997 423 912 00	Cap for foot brake pedal		1	PR:-XXV,250
(5)	991 423 112 00	Pedal cap		1	PR:XXV,250
6	7PP 721 113 A	bush		2	PR:250
11	1J0 721 165	Support		1	
		push rod			
12	955 423 341 00	bearing shell		1	
		Support			
14	991 423 275 00	Seal		1	PR:098
		Firewall			
(14)	991 423 276 01	Seal		1	PR:099
		Firewall			
15	999 080 072 01	Fastening screw		1	
		M 8 X 26			
16	999 166 092 01	Kl-lock		2	PR:098,099
		KL 16			
17	991 423 291 00	Bungs		1	PR:250
		Firewall			

Model: 991T13

Model life 2014>>



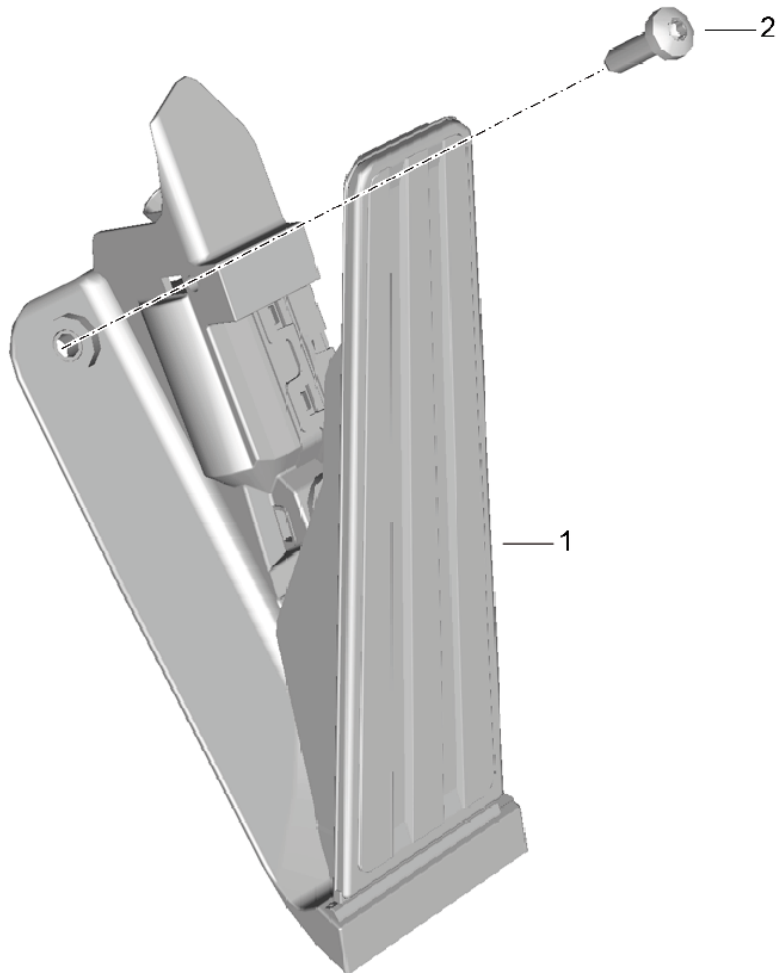
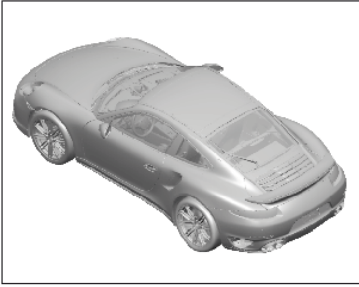
Model: 991T13

Model life 2014>>

Pos	Part Number	Description	Remark	Qty	Model
1	991 423 065 01	Pedals		1	PR:D97
(1)	991 423 066 00	Bracket		1	PR:098
3	991 423 041 21	Bracket		1	PR:099
(3)	991 423 042 21	brake pedal		1	PR:098
4	9P1 721 965	brake pedal		1	PR:099
(4)	991 423 284 00	bearing pin		1	PR:098
5	9P1 721 173 A	brake pedal		1	PR:099
(5)	991 423 112 00	bearing pin		1	PR:-XXV
6	7PP 721 113 A	Pedal cap		1	PR:XXV
11	1J0 721 165	bush		2	
12	955 423 341 00	Support		1	
14	9P1 721 043	push rod		1	
(14)	991 423 276 01	bearing shell		1	PR:098
16	9A7 721 431 00	Support		1	PR:099
17	9P1 723 380	Seal		1	
18	N 907 611 03	Firewall		1	
19	900 378 180 01	Seal		1	
		KL-lock		1	
		KL 16		1	
		Bungs		1	
		Firewall		2	
		Hexagon collar nut		2	
		self-locking			
		M 8			
		Hexagon bolt		2	
		AM 8 X 25			

Model: 991T13

Model life 2014>>



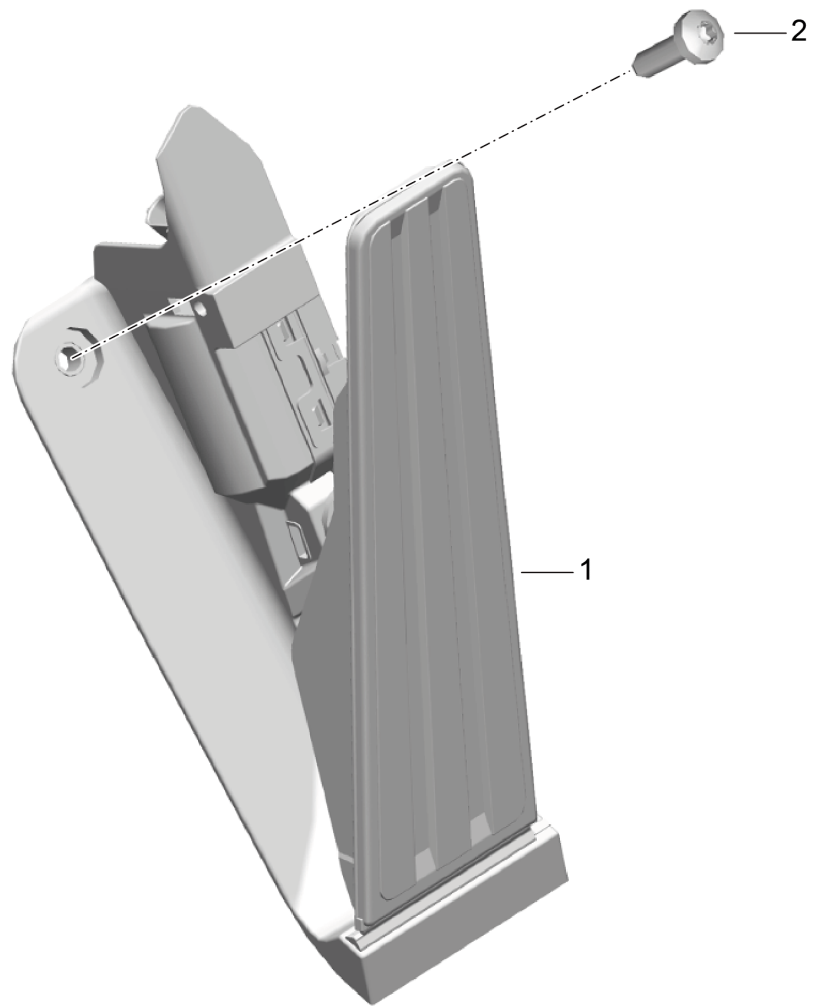
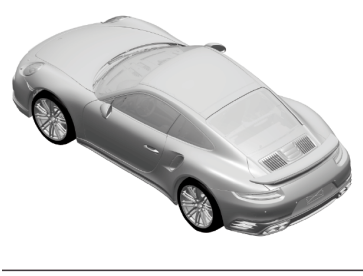
Model: 991T13

Model life 2014>>

Pos	Part Number	Description	Remark	Qty	Model
		Pedals			PR: -D97
		throttle control			
		D >> - MJ 2016			
1	298 721 507 H	throttle control		1	PR: 250, -XXV
(1)	991 423 022 01	throttle control		1	PR: XXV, 250
2	N 106 039 01	Hexagon socket oval head bolt (combi) M 6 X 18		1	

Model: 991T13

Model life 2014>>



Model: 991T13

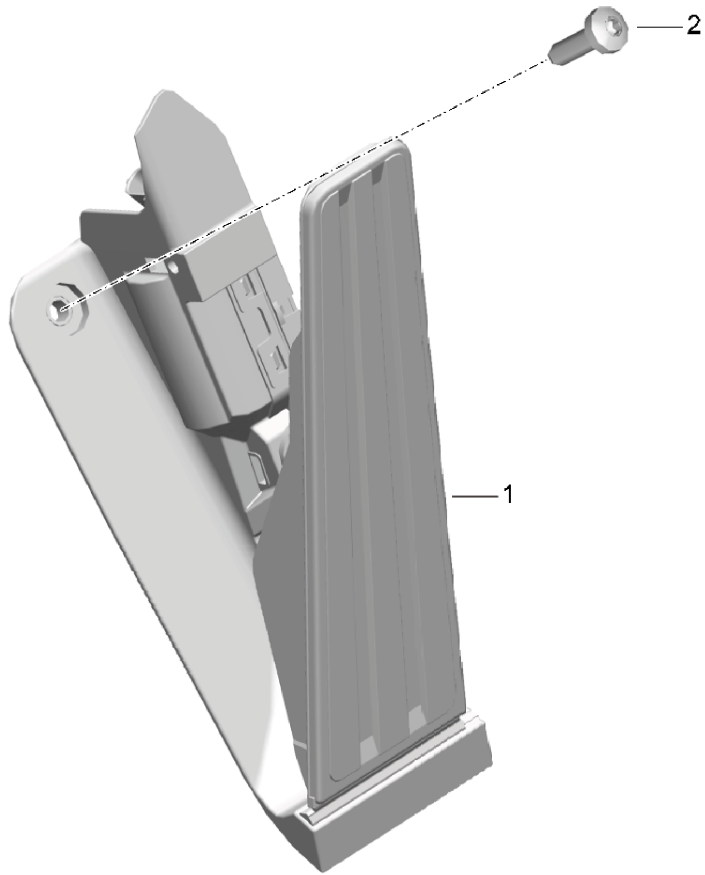
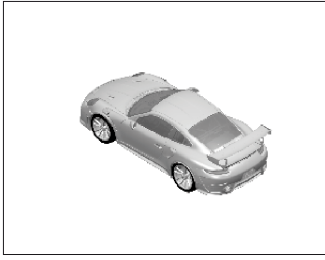
Model life 2014>>

Pos	Part Number	Description	Remark	Qty	Model
		Pedals			PR: -D97
		throttle control			
		D - MJ 2017>>			
1	298 721 507 K	throttle control		1	PR: -XXV
(1)	298 721 507 L	throttle control		1	PR: XXV
2	999 073 378 05	flat round head bolt M 6 X 20		1	



Model: 991T13

Model life 2014>>



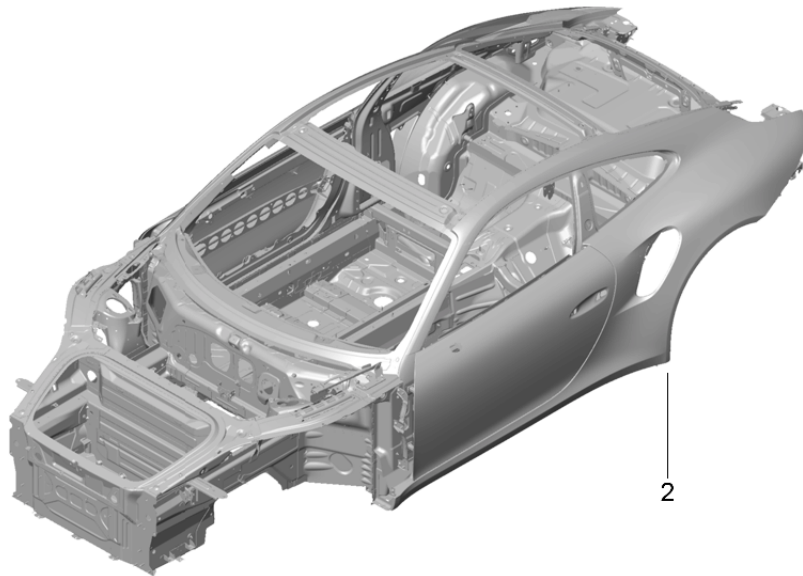
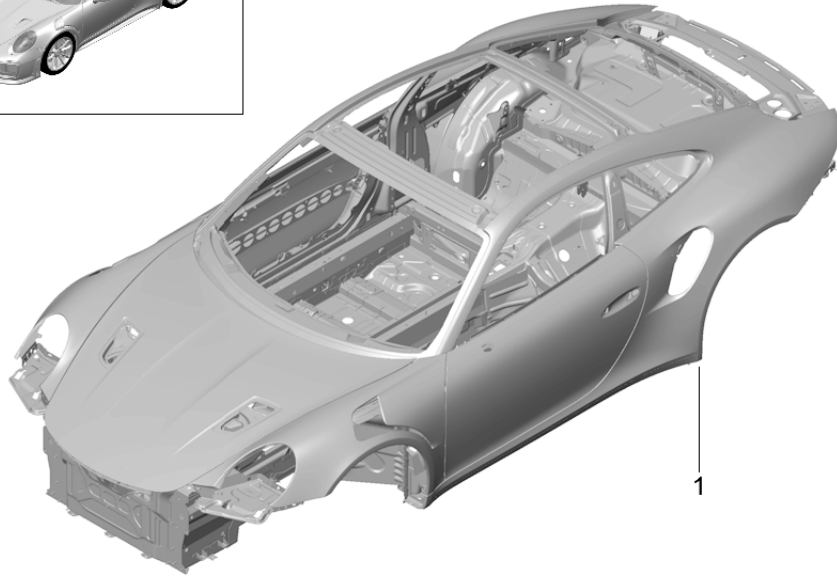
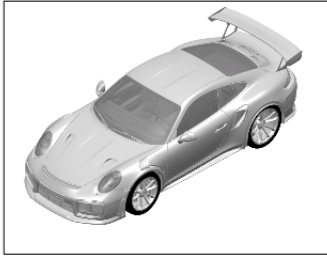
Model: 991T13

Model life 2014>>

Pos	Part Number	Description	Remark	Qty	Model
		Pedals			PR:D97
1	298 721 507 K	throttle control		1	PR:-XXV
(1)	298 721 507 L	throttle control		1	PR:XXV
2	999 073 378 05	flat round head bolt M 6 X 20		1	

Model: 991T13

Model life 2014>>



Model: 991T13 Model life 2014>>

Pos	Part Number	Description	Remark	Qty	Model
-		Car body primed Sealed  with: Underbody protection  with: Doors/lids/wings BodysHELLS can only only available from current Model year available - The data required for your order Can be found on the Vehicle data carrier in Vehicle wallet Please indicate this data in your order Vehicle data carrier Vehicle Ident. No. Order type Country equipment Optional extras Additional applications Please state the colour			
A					
B					
C					
D					
E					
F					
G					
1	991 501 001 10	Car body Coupe Discontinued part	lhd	1	PR:098
	991 501 001 10 GRV	primed			
1	991 500 001 10	Car body Coupe	lhd	1	PR:098
	991 500 001 10 GRV	primed			
1	991 501 001 11	Car body Coupe Discontinued part	rhd	1	PR:099
	991 501 001 11 GRV	primed			
1	991 500 001 11	Car body Coupe	rhd	1	PR:099
	991 500 001 11 GRV	primed			
1	991 501 001 12	Car body Cabriolet Discontinued part	lhd	1	PR:098
	991 501 001 12 GRV	primed			
1	991 500 001 12	Car body Cabriolet	lhd	1	PR:098
	991 500 001 12 GRV	primed			
1	991 501 001 13	Car body Cabriolet Discontinued part	rhd	1	PR:099
	991 501 001 13 GRV	primed			
1	991 500 001 13	Car body Cabriolet	rhd	1	PR:099
	991 500 001 13 GRV	primed			
2	991 500 001 80	Car body  without: Roof and Carbon Accessories	lhd	1	PR:098
	991 500 001 80 GRV	Carbon			
2	991 500 001 81	Car body  without: Roof	rhd	1	PR:099

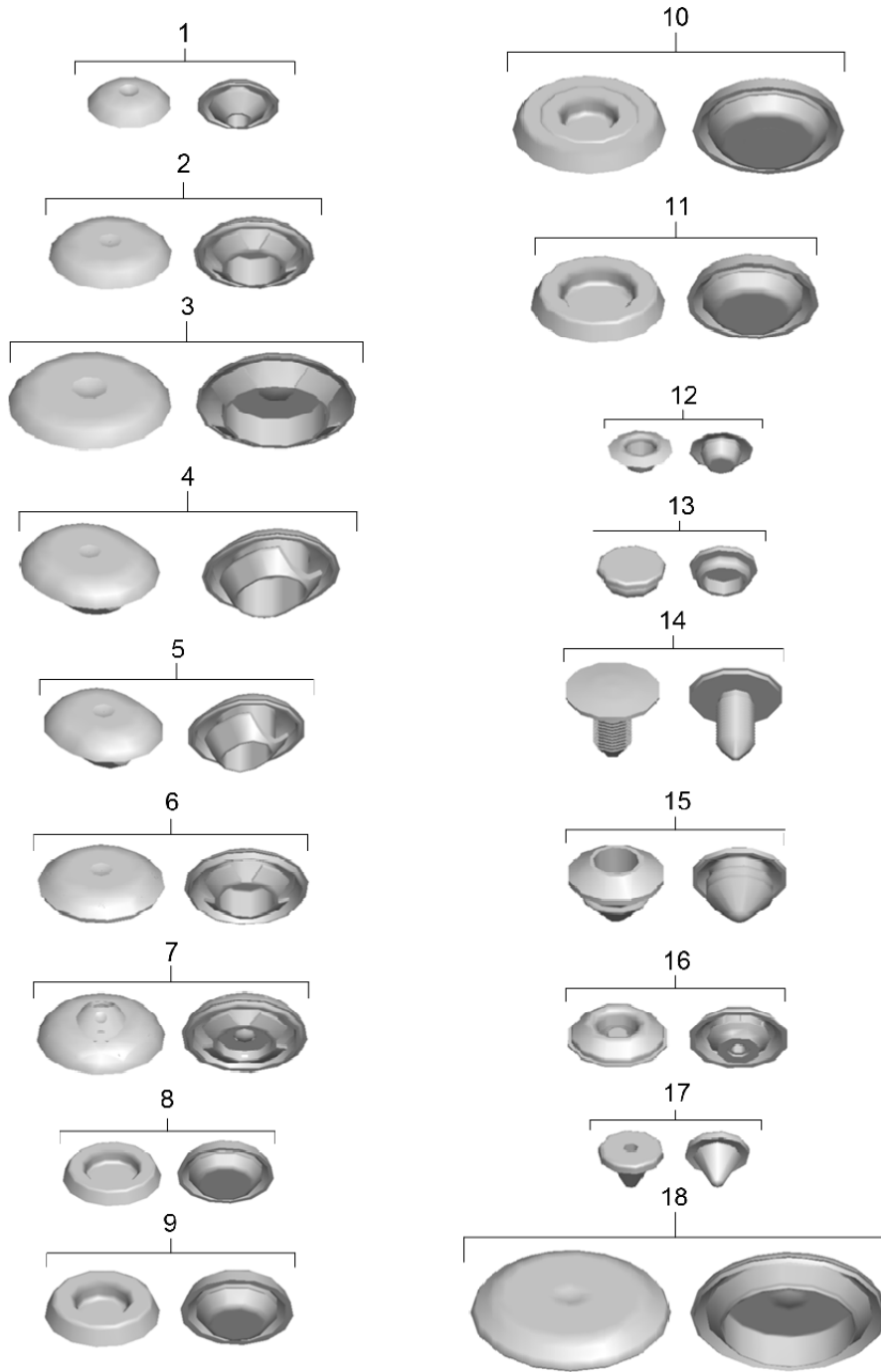
Model: 991T13

Model life 2014>>

Pos	Part Number	Description	Remark	Qty	Model
(2)	991 500 001 81 GRV 991 500 001 82	and Carbon Accessories Carbon Car body  without: Roof and Carbon Accessories	lhd	1	PR:098,003
(2)	991 500 001 82 GRV 991 500 001 83	Carbon Car body  without: Roof and Carbon Accessories	rhd	1	PR:099,003
	991 500 001 83 GRV	Carbon			

Model: 991T13

Model life 2014>>



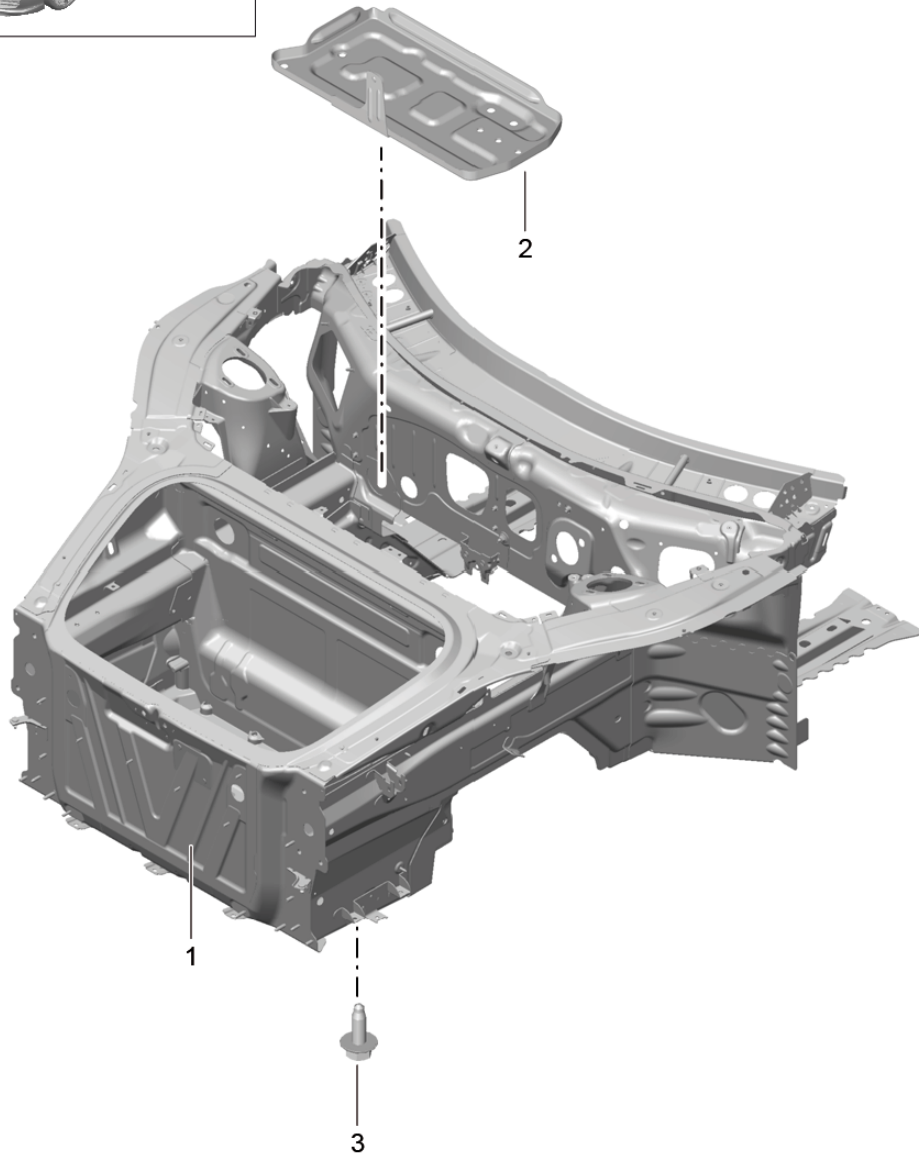
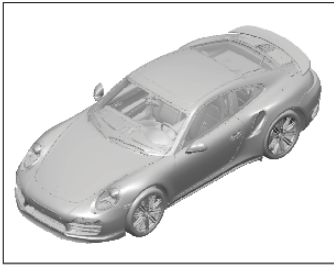
Model: 991T13

Model life 2014>>

Pos	Part Number	Description	Remark	Qty	Model
1	955 504 281 00	Bungs Bungs Hole 10 MM		X	
2	955 504 182 00	Bungs Hole 20 MM		X	
3	955 504 183 00	Bungs Hole 30 MM		X	
4	955 504 184 00	Bungs Hole 20 MM X 25 MM		X	
5	955 504 185 00	Bungs Hole 15 MM X 20 MM		X	
6	955 504 187 00	Bungs Hole 20 MM		X	
7	955 512 188 00	Water drain valve Hole 20 MM		X	
8	955 511 196 00	Bungs Hole 15 MM		X	
9	999 703 196 40	End cap Hole 20 MM		X	
10	999 703 195 40	Rubber grommet Hole 30 MM		X	
11	999 703 543 40	End cap Hole 25 MM		X	
12	999 703 462 40	End cap Hole 10 MM		X	
13	999 703 421 40	Grommet Hole 15 MM		X	
14	999 507 637 40	Bungs Hole 10 MM		X	
15	999 703 466 40	Bungs Hole 15 MM		X	
16	999 703 556 40	End cap Hole 15 MM		X	
17	999 703 105 50	Bungs Hole 10 MM		X	
18	N 909 649 01	Sealing cap Hole 40 MM		X	

Model: 991T13

Model life 2014>>





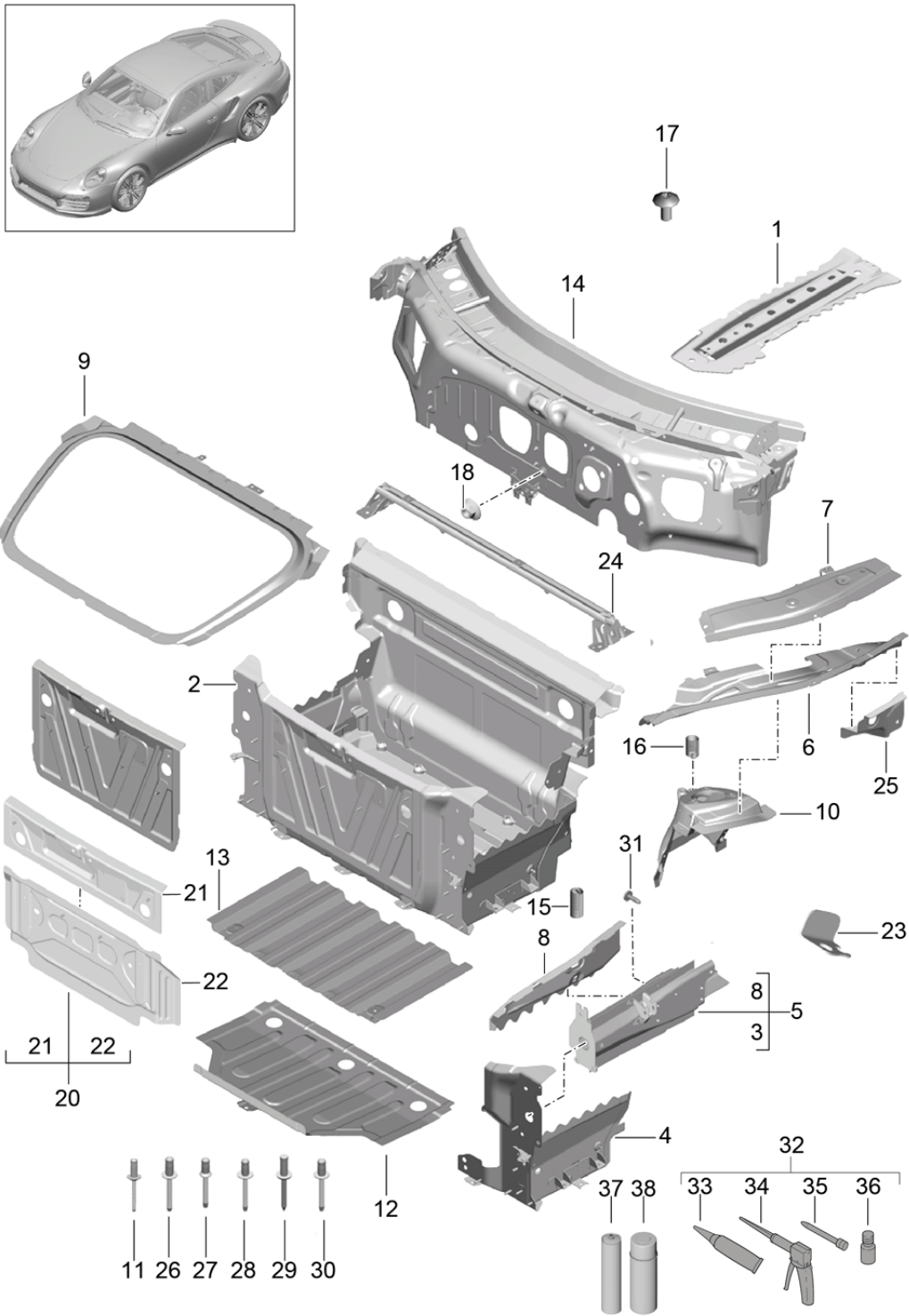
Model: 991T13

Model life 2014>>

Pos	Part Number	Description	Remark	Qty	Model
1	991 501 991 01	Front end (complete)			
	991 501 991 01 GRV	Front end primed	lhd	1	PR:098
(1)	991 501 991 03	Front end primed	rhd	1	PR:099
	991 501 991 03 GRV	Front end primed			
2	9P1 804 825	Battery console		1	PR:098
2	9P1 804 825 A	Battery console		1	PR:099
(2)	991 504 151 12	Battery console	lhd	1	PR:098
(2)	9P1 804 825 B	Battery console	lhd	1	PR:098
		D - MJ 2016>>			
(2)	991 504 151 13	Battery console	rhd	1	PR:099
(2)	9P1 804 825 C	Battery console	rhd	1	PR:099
		D - MJ 2016>>			
3	999 072 048 01	Hexagon bolt M8X25		4	
(3)	N 102 400 03	Hex collared bolt M8X32		4	
		D - MJ 2016>>			

Model: 991T13

Model life 2014>>



Model: 991T13

Model life 2014>>

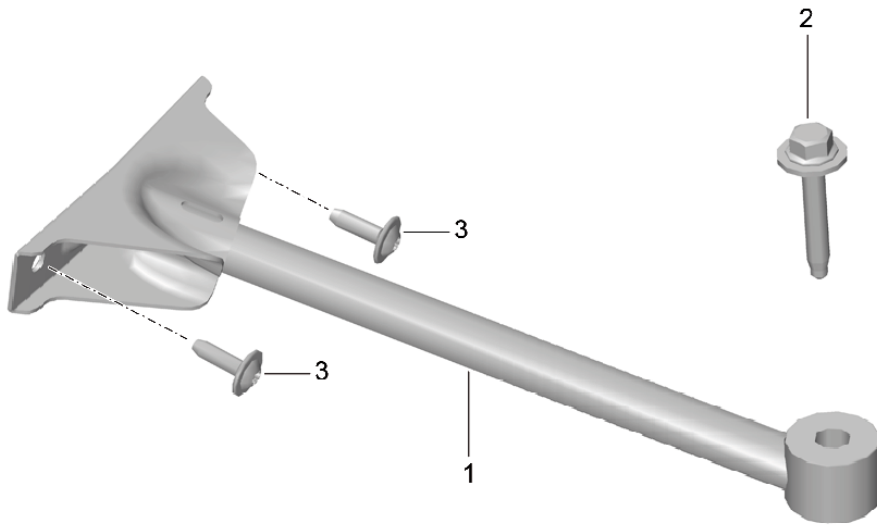
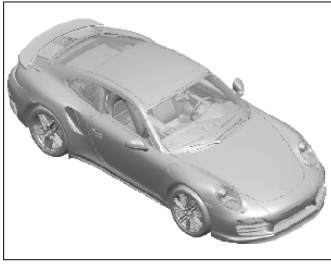
Pos	Part Number	Description	Remark	Qty	Model
1	991 501 125 00	Front end Individual parts Cross panel	left rear	1	
(1)	991 501 125 00 GRV	primed			
	991 501 126 00	Cross panel	right rear	1	
	991 501 126 00 GRV	primed			
2	991 501 920 01	Luggage compartment liner		1	
	991 501 920 01 GRV	primed			
4	991 501 911 01	Side part Luggage compartment	also use: 000 043 206 30 left	1	
	991 501 911 01 GRV	primed			
(4)	991 501 912 01	Side part Luggage compartment	also use: 000 043 206 30 right	1	
	991 501 912 01 GRV	primed			
5	991 501 913 01	Carrier Sub-part	also use: 000 043 206 30 left	1	
	991 501 913 01 GRV	primed			
(5)	991 501 914 01	Carrier Sub-part	also use: 000 043 206 30 right	1	
	991 501 914 01 GRV	primed			
6	991 501 387 00	Side member	also use: 000 043 206 30 left upper outer	1	
	991 501 387 00 GRV	primed			
(6)	991 501 388 00	Side member	right upper outer	1	
	991 501 388 00 GRV	primed			
7	991 501 397 00	Side member	left upper	1	
	991 501 397 00 GRV	primed			
(7)	991 501 398 00	Side member	also use: 000 043 206 30 right upper	1	
	991 501 398 00 GRV	primed			
8	991 501 535 01	Side plate for wheel arch	also use: 000 043 206 30 left	1	
	991 501 535 01 GRV	primed			
(8)	991 501 536 01	Side plate for wheel arch	right	1	
	991 501 536 01 GRV	primed			
9	991 501 231 02	Sealing frame Luggage compartment		1	
	991 501 231 02 GRV	primed			
10	991 501 477 00	Suspension strut mounting	also use: 000 043 206 30 left	1	
	991 501 477 00 GRV	primed			
(10)	991 501 478 00	Suspension strut mounting	right	1	
	991 501 478 00 GRV	primed			
11	999 190 227 01	Pop rivet		X	
12	991 501 479 02	boot floor plate		1	
	991 501 479 02 GRV	primed			
13	991 504 303 01	Insert	also use: 000 043 206 30	1	
	991 504 303 01 GRV	primed			
13	991 504 303 80	Insert		1	
	991 504 303 80 GRV	primed			

Model: 991T13 Model life 2014>>

Pos	Part Number	Description	Remark	Qty	Model
14	991 502 331 00	Firewall	lhd	1	PR:098
	991 502 331 00 GRV	primed	upper		
		also use:	000 043 206 30		
14	991 502 331 01	Firewall	rhd	1	PR:099
	991 502 331 01 GRV	primed	upper		
		also use:	000 043 206 30		
15	999 504 266 01	threaded insert M12X1,5X28 Cross member		X	
16	999 504 262 01	Luggage compartment threaded insert M8X15 Support		X	
17	999 073 549 01	Spring strut Oval-head screw M 8 X 16		X	
18	N 907 988 05	Hexagon collar nut M8		1	
19	999 703 556 40	End cap 14,5X0,6		1	
20	991 501 431 01	Cross panel		1	
	991 501 431 01 GRV	Of primed			
		also use:	000 043 206 30		
21	991 501 599 00	Cross panel	upper	1	
	991 501 599 00 GRV	primed			
		also use:	000 043 206 30		
22	991 501 531 01	Cross panel	lower	1	
	991 501 531 01 GRV	primed			
		also use:	000 043 206 30		
23	991 501 815 00	Brake line bracket	left	1	
	991 501 815 00 GRV	primed			
(23)	991 501 816 00	Brake line bracket	right	1	
	991 501 816 00 GRV	primed			
24	991 504 111 03	Cross member		1	
(24)	991 504 111 04	Cross member		1	PR:478
25	991 502 547 00	Side member	left	1	
	991 502 547 00 GRV	primed			
(25)	991 502 548 00	Side member	right	1	
	991 502 548 00 GRV	primed			
-		see workshop manual			
26	999 190 227 01	Pop rivet 6,5 X 12,5		X	
27	999 190 228 01	Pop rivet 6,5 X 11,5		X	
28	999 190 229 01	Pop rivet 6,5 X 10,5		X	
29	999 190 230 01	Pop rivet 6,5 X 14,5		X	
30	N 107 608 01	clinch pin		X	
31	999 073 577 01	Torx screw		X	
32	000 043 206 29	Adhesive set		1	
33	000 043 206 30	adhesive		1	
34	000 043 206 31	Double cartridge gun		1	
35	000 043 206 32	emulsion tube		1	
36	000 043 207 70	activator		1	
37	000 043 305 32	sealant		1	
38	000 043 204 85	cavity preservative agent		1	

Model: 991T13

Model life 2014>>



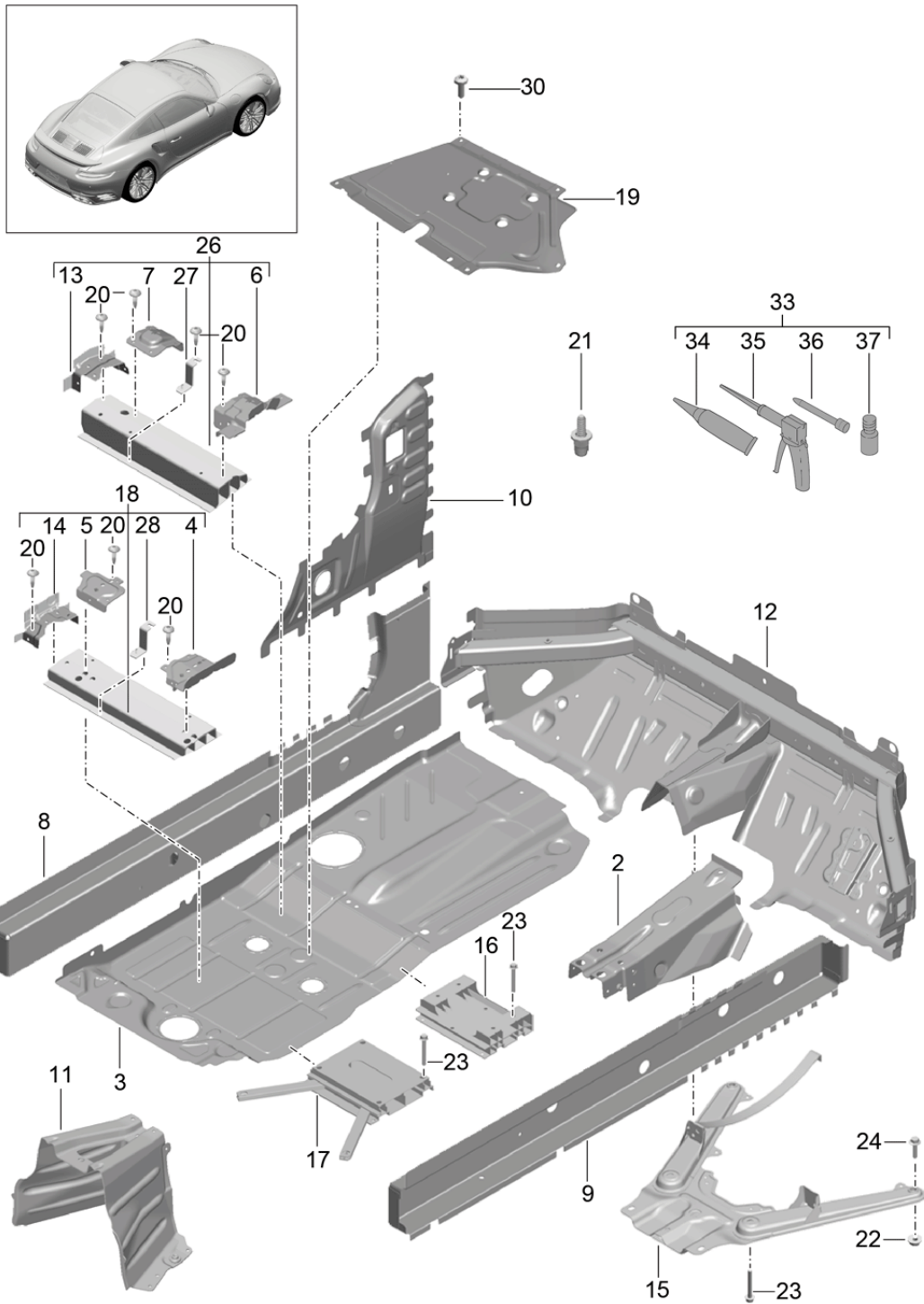
Model: 991T13

Model life 2014>>

Pos	Part Number	Description	Remark	Qty	Model
1	991 504 537 01	Dome strut			
(1)	991 504 538 01	Brace	left	1	
2	N 105 728 02	Brace	right	1	
		bolt,hex.hd.with shoul.(combi)		1	
		M8X50			
3	999 073 322 02	fillister hd. bolt		4	
		M6X20			

Model: 991T13

Model life 2014>>



Model: 991T13 Model life 2014>>

Pos	Part Number	Description	Remark	Qty	Model
2	991 501 309 00	Floor Support	center front	1	
	991 501 309 00 GRV	primed			
3	991 501 251 00	Floor	left outer	1	
	991 501 251 00 GRV	primed			
(3)	991 501 252 00	Floor	right outer	1	
	991 501 252 00 GRV	primed			
4	991 501 645 00	Reinforcement Seat support	left rear, inner	1	
	991 501 645 00 GRV	primed			
(4)	991 501 646 00	Reinforcement Seat support	right rear, inner	1	
	991 501 646 00 GRV	primed			
5	991 501 581 00	Reinforcement Seat support	left rear outer	1	
	991 501 581 00 GRV	primed			
(5)	991 501 582 00	Reinforcement Seat support	right rear outer	1	
	991 501 582 00 GRV	primed			
6	991 501 687 00	Reinforcement Seat support	left rear, inner	1	
	991 501 687 00 GRV	primed			
(6)	991 501 688 00	Reinforcement Seat support	right rear, inner	1	
	991 501 688 00 GRV	primed			
7	991 501 583 00	Reinforcement Seat support	front outer	2	
	991 501 583 00 GRV	primed			
8	991 501 157 02	Side member	left	1	
	991 501 157 02 GRV	primed			
(8)	991 501 157 01	Side member	left	1	
	991 501 157 01 GRV	primed			
9	991 501 158 02	Side member	right	1	
	991 501 158 02 GRV	primed			
(9)	991 501 158 01	Side member	right	1	
	991 501 158 01 GRV	primed			
10	991 502 639 00	Web plate A-pillar	left	1	
	991 502 639 00 GRV	primed			
(10)	991 502 640 00	Web plate A-pillar	right	1	
	991 502 640 00 GRV	primed			
11	991 501 367 00	Reinforcement	rear	1	
	991 501 367 00 GRV	primed			
12	991 501 951 02	Firewall	lower lhd	1	PR:098
	991 501 951 02 GRV	primed			
(12)	991 501 951 03	Firewall	lower rhd	1	PR:099
	991 501 951 03 GRV	primed			
13	991 501 893 00	angle	left front	1	
	991 501 893 00 GRV	primed			
(13)	991 501 894 00	angle	right front	1	
	991 501 894 00 GRV	primed			
14	991 501 891 00	angle	left rear	1	
	991 501 891 00 GRV	primed			



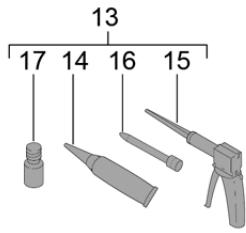
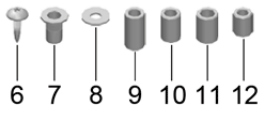
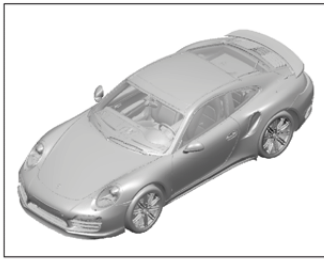
Model: 991T13

Model life 2014>>

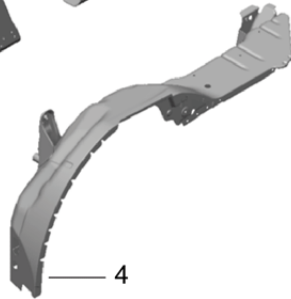
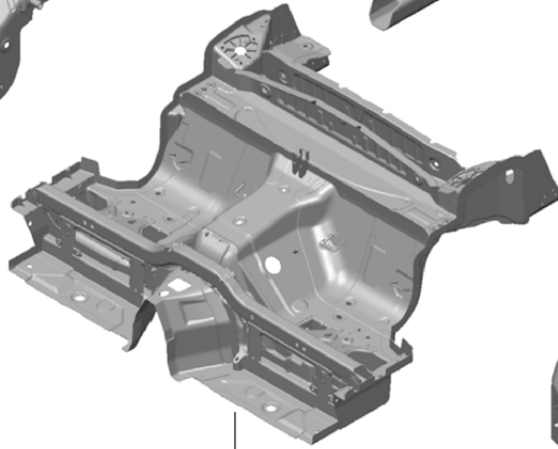
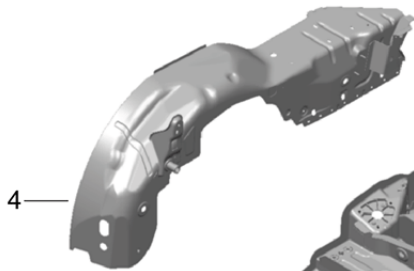
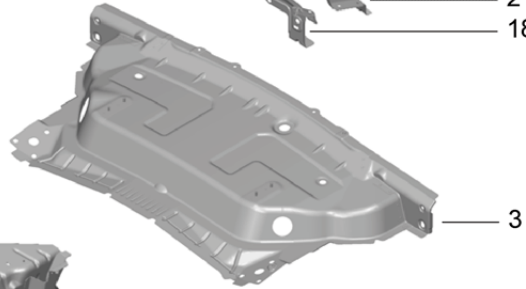
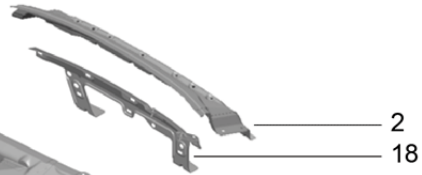
Pos	Part Number	Description	Remark	Qty	Model
(14)	991 501 892 00	angle	right rear	1	
15	991 501 892 00 GRV 991 504 233 02	primed Support frame Front end		1	
16	991 504 823 00	Transverse strut tunnel		1	
17	991 504 333 00	Brace transmission carrier		1	
18	991 501 493 00 991 501 493 00 GRV	Seat support primed (complete)	left rear	1	
(18)	991 501 494 00 991 501 494 00 GRV	Seat support primed (complete)	right rear	1	
19	991 504 857 00 991 504 857 00 GRV	Bracket primed	left	1	Cabrio
(19)	991 504 858 00 991 504 858 00 GRV	Bracket Discontinued part primed	right	1	Cabrio
(19)	991 504 658 00 991 504 658 00 GRV	Bracket primed	right	1	Cabrio
20	999 073 917 01	Oval-head screw M5X20		X	
21	999 190 501 01	Pin T6		X	
22	999 084 648 01	Hexagon nut M 10		4	
23	900 378 255 01	Hexagon bolt M 10 X 70		4	
24	999 072 063 02	Hexagon bolt M 10 X 40		6	
26	991 501 453 00 991 501 453 00 GRV	Seat support primed (complete)	left front	1	
(26)	991 501 454 00 991 501 454 00 GRV	Seat support primed (complete)	right front	1	
27	991 501 635 02	Bracket	front right	1	
28	991 501 637 02	AUDIOKOMPONENTE Bracket	rear	1	
30	999 073 103 01	AUDIOKOMPONENTE flat round head bolt M 6 X16		8	
33	000 043 206 29	Adhesive set		1	
34	000 043 206 30	adhesive		1	
35	000 043 206 31	Double cartridge gun		1	
36	000 043 206 32	emulsion tube		1	
37	000 043 207 70	activator		1	

Model: 991T13

Model life 2014>>



13  
17 14 16 15



1

Model: 991T13 Model life 2014>>

Pos	Part Number	Description	Remark	Qty	Model
1	991 501 061 02 991 501 061 02 GRV	Rear end Rear end primed		1	Coupe
(1)	991 501 061 03 991 501 061 03 GRV	Rear end Rear end primed	also use: 000 043 206 30	1	Cabrio
2	991 502 409 00 991 502 409 00 GRV	Cross member Cross member primed	also use: 000 043 206 30	1	Coupe
(2)	991 502 509 01 991 502 509 01 GRV	Cross member Cross member primed	also use: 000 043 206 30	1	Cabrio
3	991 502 421 00 991 502 421 00 GRV	tray D >> - MJ 2014 primed	also use: 000 043 206 30	1	Coupe
3	991 502 421 03 991 502 421 03 GRV	Convertible top D - MJ 2015>> primed	also use: 000 043 206 30	1	Coupe
(3)	991 502 421 01 991 502 421 01 GRV	tray Convertible top D >> - MJ 2014 primed	also use: 000 043 206 30	1	Cabrio
(3)	991 502 421 04 991 502 421 04 GRV	tray Convertible top D - MJ 2015>> primed	also use: 000 043 206 30	1	Cabrio
(4)	991 501 183 02 991 501 183 02 GRV	Wheel housing (complete) primed	also use: 000 043 206 30 left inner	1	Coupe
(4)	991 501 184 02 991 501 184 02 GRV	Wheel housing (complete) primed	also use: 000 043 206 30 right inner	1	Coupe
(4)	991 501 183 03 991 501 183 03 GRV	Wheel housing (complete) primed	also use: 000 043 206 30 left inner	1	Cabrio
(4)	991 501 184 03 991 501 184 03 GRV	Wheel housing (complete) primed	also use: 000 043 206 30 right inner	1	Cabrio
5	991 501 903 01 991 501 903 01 GRV	Frame comprising: Cross member engine mounting Carrier primed	also use: 000 043 206 30	1	
6	999 073 917 01	Oval-head screw M5X20		X	
7	999 500 196 01	Nut M8		X	
8	999 025 285 31	Washer		X	

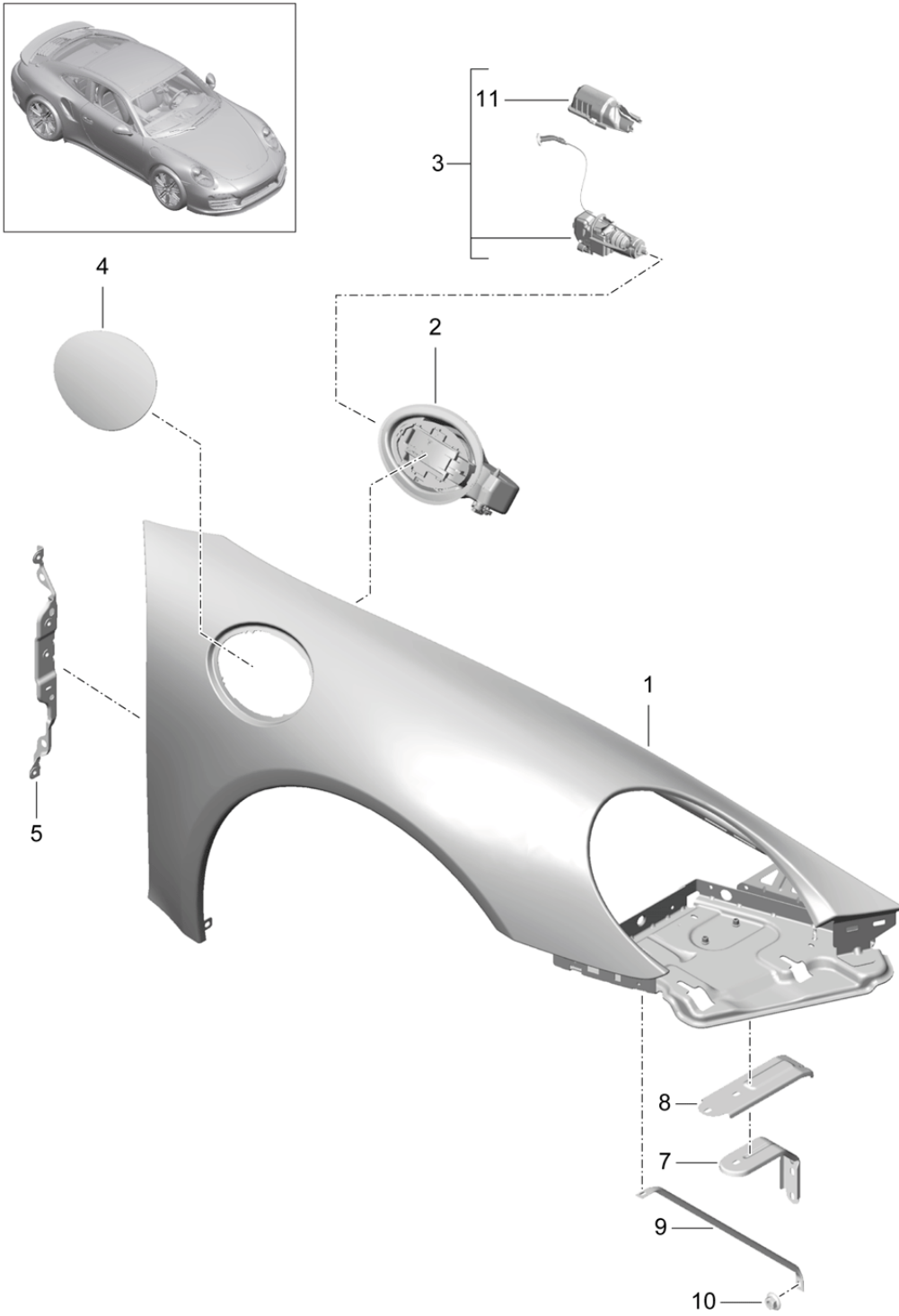
Model: 991T13

Model life 2014>>

Pos	Part Number	Description	Remark	Qty	Model
9	999 504 267 01	8,4X20X1,5 threaded insert M10X27		X	
10	999 504 268 01	threaded insert M10X20		X	
11	999 504 263 01	threaded insert M12X1,5X22		X	
12	999 504 262 01	threaded insert M8X15		X	
13	000 043 206 29	Adhesive set		1	
14	000 043 206 30	adhesive		1	
15	000 043 206 31	Double cartridge gun		1	
16	000 043 206 32	emulsion tube		1	
17	000 043 206 33	activator		1	
18	991 502 573 00	Cross member for tray		1	Coupe
	991 502 573 00 GRV	primed			
		also use:	000 043 206 30		

Model: 991T13

Model life 2014>>



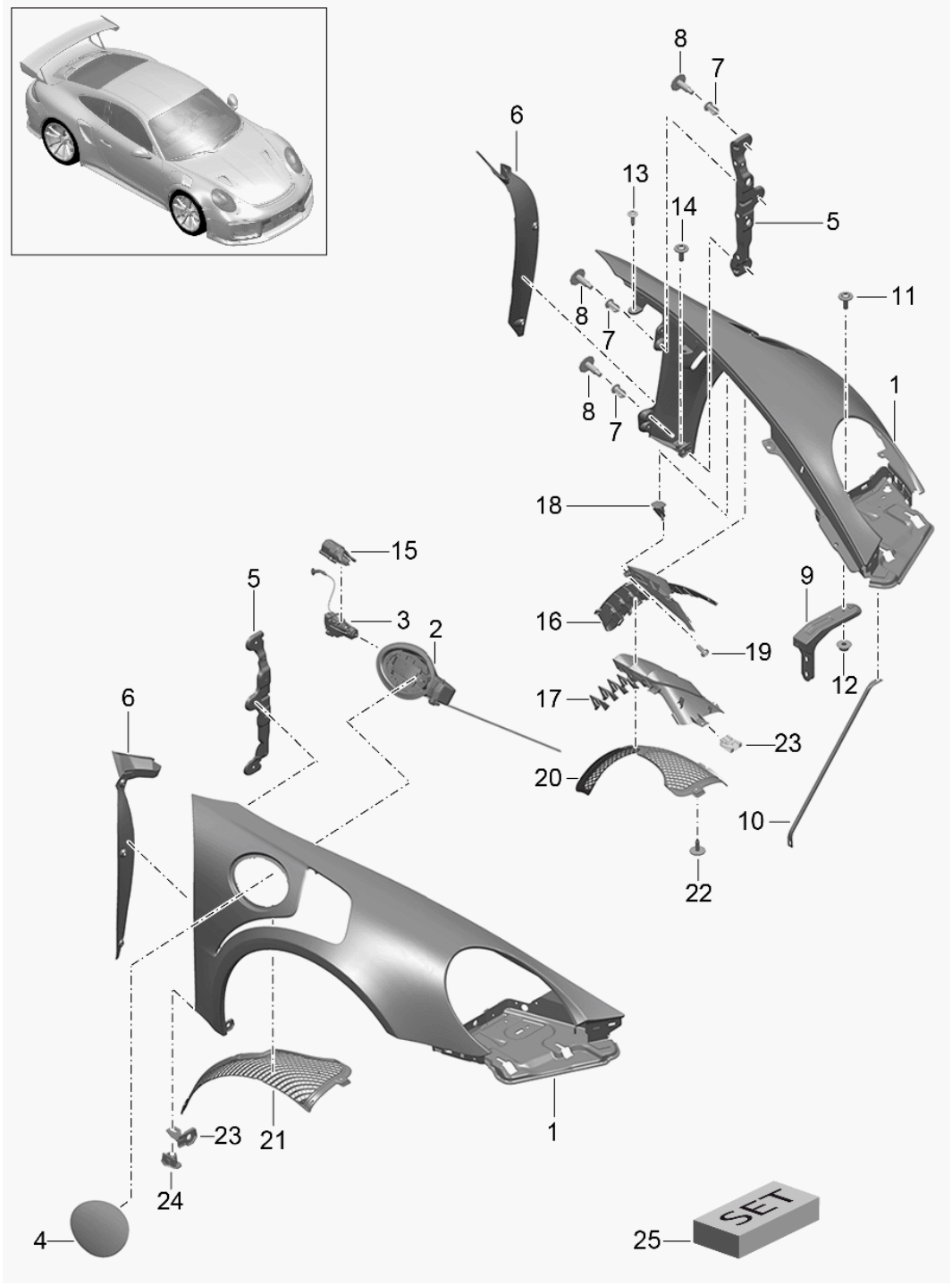
Model: 991T13

Model life 2014>>

Pos	Part Number	Description	Remark	Qty	Model
(1)	991 503 031 00	Wing			
	991 503 031 00 GRV	Wing primed	left	1	
1	991 503 032 00	Wing			
	991 503 032 00 GRV	Wing primed	right	1	
2	991 504 142 03	Cup		1	
		Fuel filler flap			
3	991 504 414 02	throttle control element		1	
		Fuel filler flap			
4	991 503 034 00	Fuel filler flap		1	
	991 503 034 00 GRV	Fuel filler flap primed			
(5)	991 502 347 00	bracket - fender	left	1	
	991 502 347 00 GRV	bracket - fender primed			
5	991 502 348 00	bracket - fender	right	1	
	991 502 348 00 GRV	bracket - fender primed			
6	N 910 423 01	Oval hexagon socket head bolt M 6 X 16		X	
7	991 503 555 00	Console		2	
		Headlight recess			
8	991 503 557 00	Support	left	1	
		Headlight recess			
(8)	991 503 558 00	Support	right	1	
		Headlight recess			
9	991 503 441 01	Brace		2	
		Headlight recess			
10	999 076 066 09	Hexagon nut M6		X	
11	991 504 860 00	Cover		1	
		throttle control element			

Model: 991T13

Model life 2014>>



Model: 991T13

Model life 2014>>

Pos	Part Number	Description	Remark	Qty	Model
1	991 503 031 83	Wing Wing	left	1	
		with:			
(1)	991 503 031 83 G2X 991 503 032 83	Bracket primed Wing	right	1	
		with:			
2	991 503 032 83 G2X 991 504 142 03	Bracket primed Cup		1	
3	991 504 414 03	Fuel filler flap throttle control element		1	
4	991 503 034 00 991 503 034 00 GRV	Fuel filler flap primed		1	
5	991 503 309 70 991 503 309 70 GRV	bracket - fender primed	left	1	
(5)	991 502 310 70	Bracket Wing	right	1	
	991 502 310 70 GRV	primed			
6	991 504 641 B1	Trim Wing	left	1	
(6)	991 504 641 B1 1E0 991 504 642 B1	Black Trim Wing	right	1	
	991 504 642 B1 1E0	Black			
7	999 591 712 40	Spreader rivet 6,0X12,0		3	
8	9A7 007 320 00	Hexagon socket head bolt M6X18		3	
9	991 503 557 70	Support	left	1	
(9)	991 503 558 70	Headlight recess Support	right	1	
10	991 503 441 71	Headlight recess Brace		2	
11	999 073 297 A1	fillister hd. bolt M6X16		4	
12	999 076 066 09	Hexagon nut M6		X	
13	999 073 322 04	fillister hd. bolt M6X1,0		X	
14	999 015 025 01	fillister hd. bolt M6X12		X	
15	991 504 860 00	Cover throttle control element		1	
16	991 503 523 81	Frame Air inlet	left	1	
(16)	991 503 523 81 A3G 991 503 524 81	Carbon Gloss Black Frame	right	1	
		Air inlet			
17	991 503 524 81 A3G 991 503 583 81	Carbon Gloss Black Set	left	1	
		external disc			
(17)	991 503 583 81 OK1 991 503 584 81	Matt black Set	right	1	
		external disc			
18	991 503 584 81 OK1 991 503 513 B1	Matt black Set	left	1	
		Mount Retaining frame			
(18)	991 503 514 B1	Set	also use: 999 915 920 40 right	1	



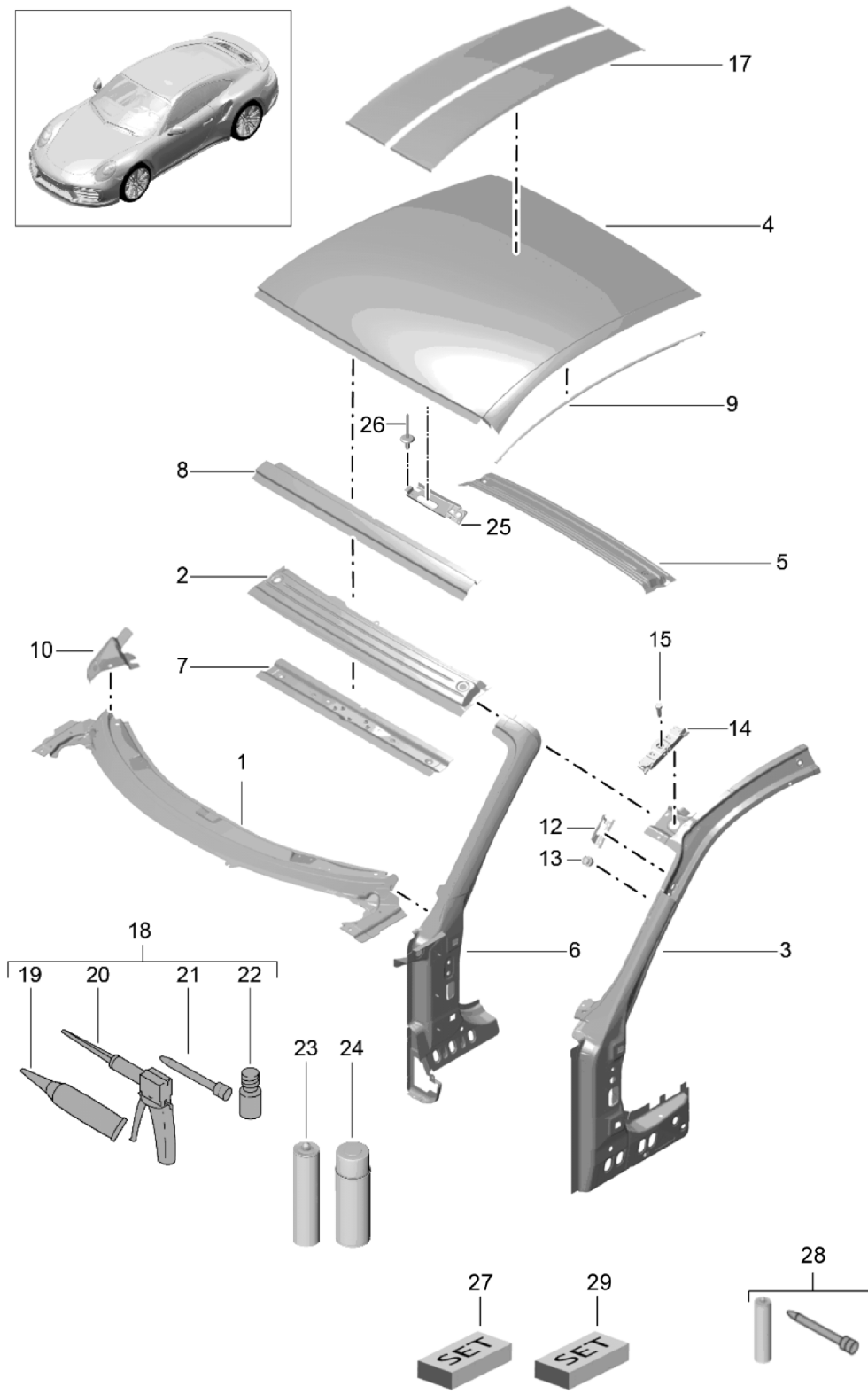
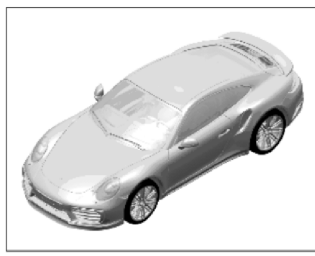
Model: 991T13

Model life 2014>>

Pos	Part Number	Description	Remark	Qty	Model
		Mount Retaining frame			
19	999 919 304 01	Screw for Mount Retaining frame	also use: 999 915 920 40	X	
20	991 504 787 80	Grille frame Air inlet	left	1	
(20)	991 504 787 80 OK1 991 504 788 80	Matt black Grille frame Air inlet	right	1	
21	991 504 788 80 OK1 999 073 505 01	Matt black panel screw 8X16		4	
22	999 507 309 02	panel nut 4,8		4	
23	991 503 457 70	Mount	left lower	1	
(23)	991 503 458 70	Mount	right lower	1	
24	991 503 307 70	Bracket for Sill		2	
25	999 915 920 40	Adhesive set for Mount Air inlet		1	

Model: 991T13

Model life 2014>>



Model: 991T13

Model life 2014>>

Pos	Part Number	Description	Remark	Qty	Model
1	991 502 137 00	Scuttle Roof Scuttle	lower outer	1	
2	991 502 137 00 GRV 991 502 329 00 991 502 329 00 GRV	primed Scuttle primed	upper	1	Coupe
3	991 502 035 00	A-pillar	left inner	1	Coupe
(3)	991 502 035 00 GRV 991 502 036 00	primed A-pillar	right inner	1	Coupe
4	991 502 036 00 GRV 991 503 901 00 991 503 901 00 GRV	primed Outer roof panel primed		1	
(4)	991 503 991 00	Outer roof panel Carbon Included template primed		1	PR:028
(4)	991 503 087 80	Outer roof panel Carbon clear paint		1	PR:808
(4)	991 503 087 81	Outer roof panel Carbon clear paint	painting	1	PR:QU8,808
(4)	991 503 901 91 991 503 901 91 GRV	Outer roof panel primed	painting	1	PR:QU8,QV3
(4)	991 503 901 92 991 503 901 92 GRV	Outer roof panel primed		1	PR:QU8
5	991 502 269 00	roof frame	inner rear	1	
6	991 502 269 00 GRV 991 502 235 00	primed A-pillar	left outer	1	Cabrio
(6)	991 502 235 00 GRV 991 502 236 00	primed A-pillar	right outer	1	Cabrio
7	991 502 236 00 GRV 991 502 259 01	primed Scuttle Bottom half	upper	1	Cabrio
8	991 502 259 01 GRV 991 502 529 00	primed Scuttle Top half	upper	1	Cabrio
9	991 502 529 00 GRV 991 566 901 00	primed Seal Roof module	left	1	Coupe
(9)	991 566 902 00	Seal Roof module	right	1	Coupe
10	991 502 657 00	Console	left	1	
(10)	991 502 657 00 GRV 991 502 658 00 991 502 658 00 GRV	primed Console primed	right	1	
12	991 555 291 00	deformation element A-pillar	left upper	1	PR:072,553
(12)	991 555 292 00	deformation element A-pillar	right upper	1	PR:072,553
13	999 190 190 01	Pop rivet Mount deformation element A-pillar		X	

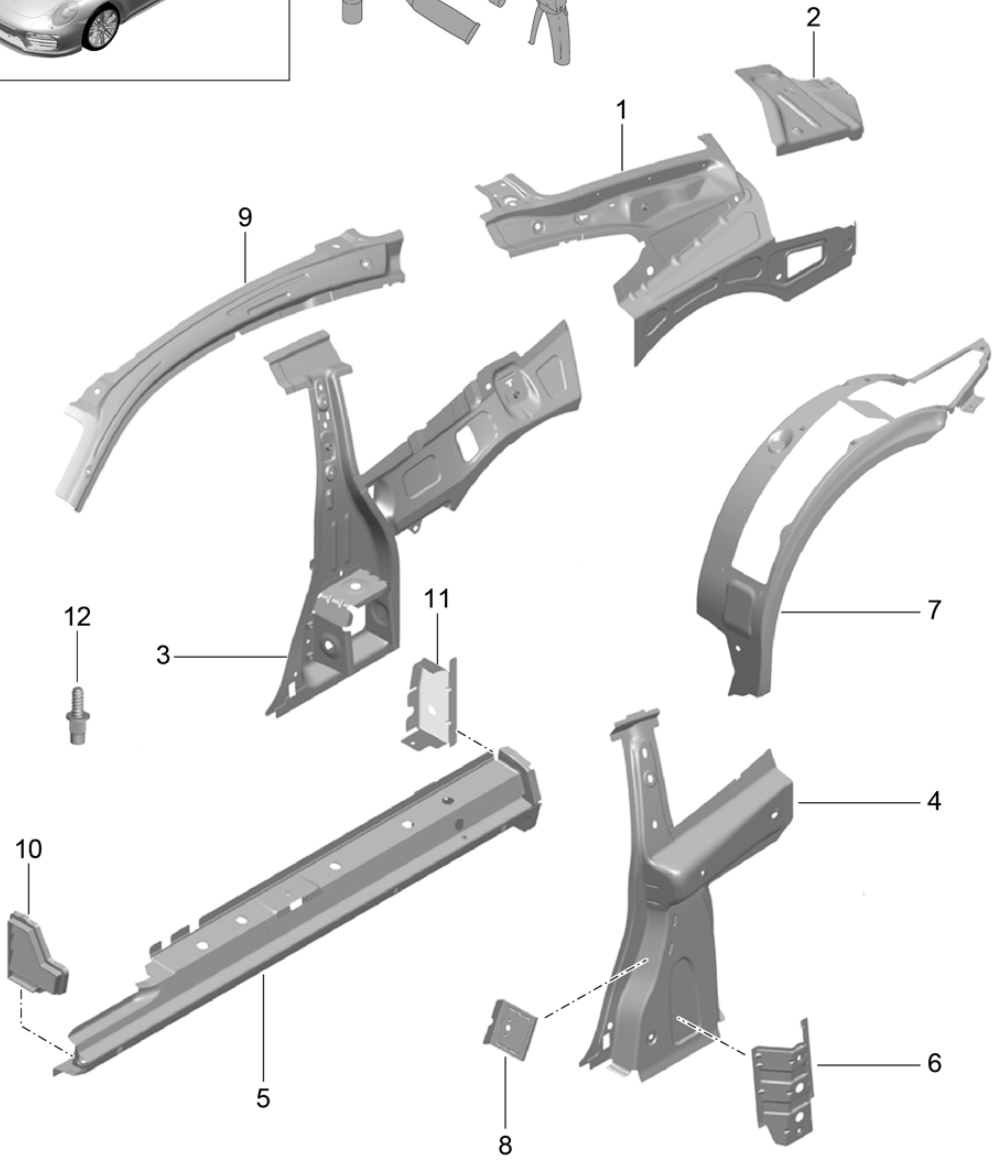
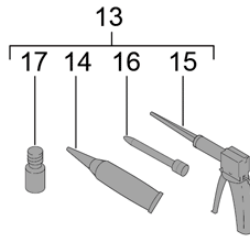
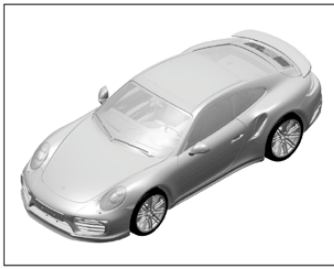
Model: 991T13

Model life 2014>>

Pos	Part Number	Description	Remark	Qty	Model
14	9P1 898 256	4,0 X8,5 1 set: mountings for roof carrier system basic plate See workshop manual		1	PR:651,653
15	999 075 043 01	Hexagon bolt M6 X25		4	
17	991 503 999 00	Paint template Roof		1	PR:028
18	000 043 206 29	Adhesive set		1	
19	000 043 206 30	adhesive		1	
20	000 043 206 31	Double cartridge gun		1	
21	000 043 206 32	emulsion tube		1	
22	000 043 206 33	activator		1	
23	000 043 204 38	sealant		1	
24	000 043 305 51	cavity preservative agent 400 ML		X	
25	991 502 653 02	deformation element Scuttle	left upper	1	
	991 502 653 02 GRV	primed			
(25)	991 502 654 02	deformation element Scuttle	right upper	1	
	991 502 654 02 GRV	primed			
26	N 900 978 02	Pop rivet 4X8		8	
27	000 043 305 65	Adhesive set		1	
28	000 043 205 37	emulsion tube		1	
29	000 043 305 35	2K pane adhesive set		1	

Model: 991T13

Model life 2014>>



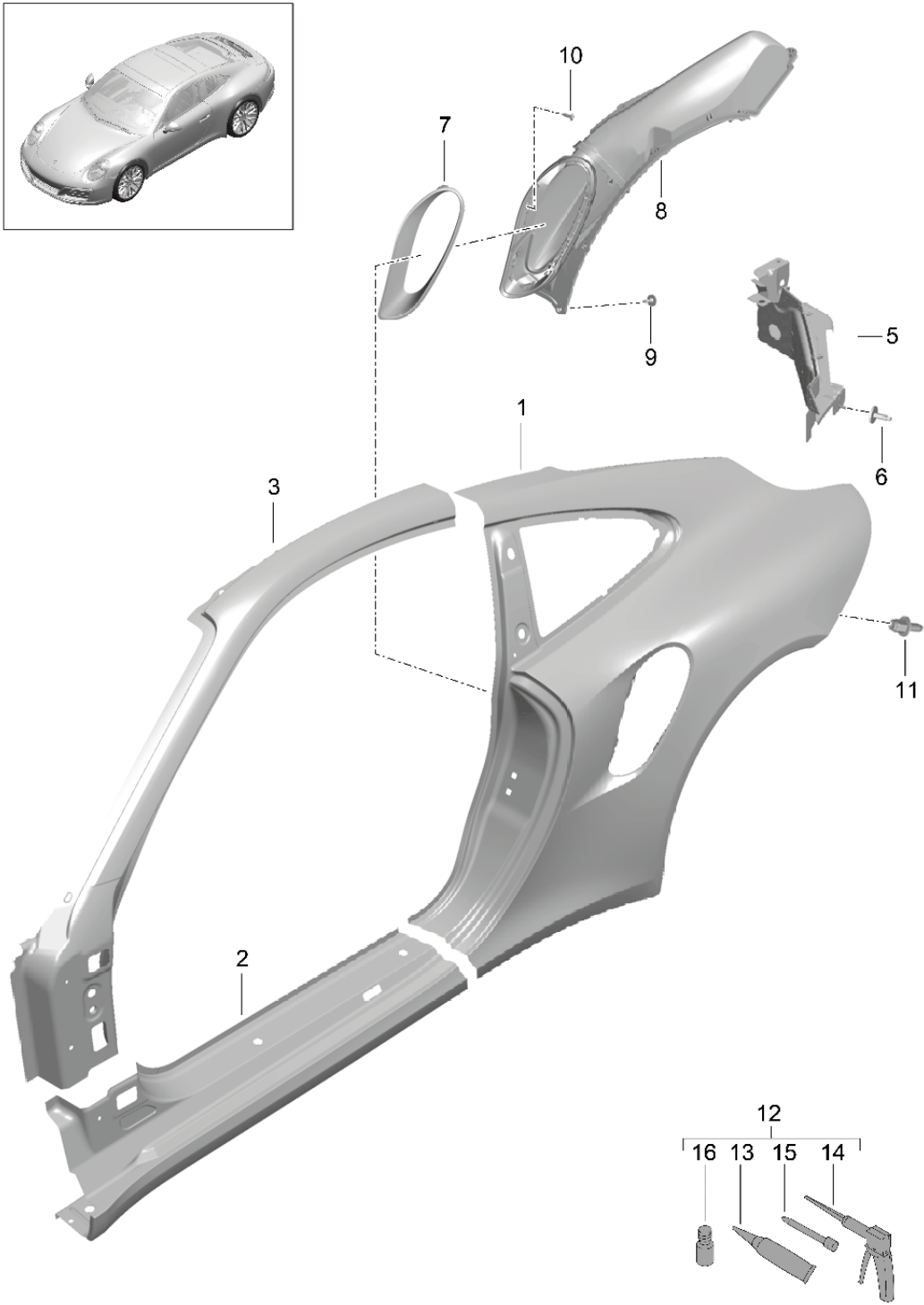
Model: 991T13

Model life 2014&gt;&gt;

Pos	Part Number	Description	Remark	Qty	Model
1	991 502 085 00	Side part Side part	inner left rear	1	Coupe
(1)	991 502 085 00 GRV 991 502 086 00	primed Side part	right rear	1	
2	991 502 086 00 GRV 991 502 105 00	primed Side part	left inner rear	1	
(2)	991 502 105 00 GRV 991 502 106 00	primed Side part	right inner rear	1	
3	991 502 106 00 GRV 991 502 391 00	primed B-pillar (complete)	left	1	
(3)	991 502 391 00 GRV 991 502 392 00	primed B-pillar (complete)	right	1	
4	991 502 392 00 GRV 991 502 019 00	primed Side part	left inner	1	
(4)	991 502 019 00 GRV 991 502 020 00	primed Side part	right inner	1	
5	991 502 020 00 GRV 991 502 563 00	primed Reinforcement Sill	left	1	
(5)	991 502 563 00 GRV 991 502 564 00	primed Reinforcement Sill	left	1	
6	991 502 564 00 GRV 991 502 709 00	primed Support B-pillar		2	
7	991 502 709 00 GRV 991 502 315 06	primed Wheel housing	left	1	
(7)	991 502 315 06 GRV 991 502 316 06	primed Wheel housing	right	1	
8	991 502 316 06 GRV 991 502 311 01	primed Reinforcement		2	
9	991 502 311 01 GRV 991 502 465 00	primed Reinforcement for A-pillar	left upper	1	
(9)	991 502 465 00 GRV 991 502 466 00	primed Reinforcement for A-pillar	right upper	1	
10	991 502 466 00 GRV 991 572 311 01	primed Water protection cap	left	1	
(10)	991 572 312 01	Water protection cap	right	1	
11	991 501 747 00	Closing plate	left	1	
(11)	991 501 747 00 GRV 991 501 748 00	primed Closing plate	right	1	
12	991 501 748 00 GRV 999 190 342 01	primed Threaded stud T5		X	
13	000 043 206 29	Adhesive set		1	
14	000 043 206 30	adhesive		1	
15	000 043 206 31	Double cartridge gun		1	
16	000 043 206 32	emulsion tube		1	
17	000 043 206 33	activator		1	

Model: 991T13

Model life 2014>>



Model: 991T13

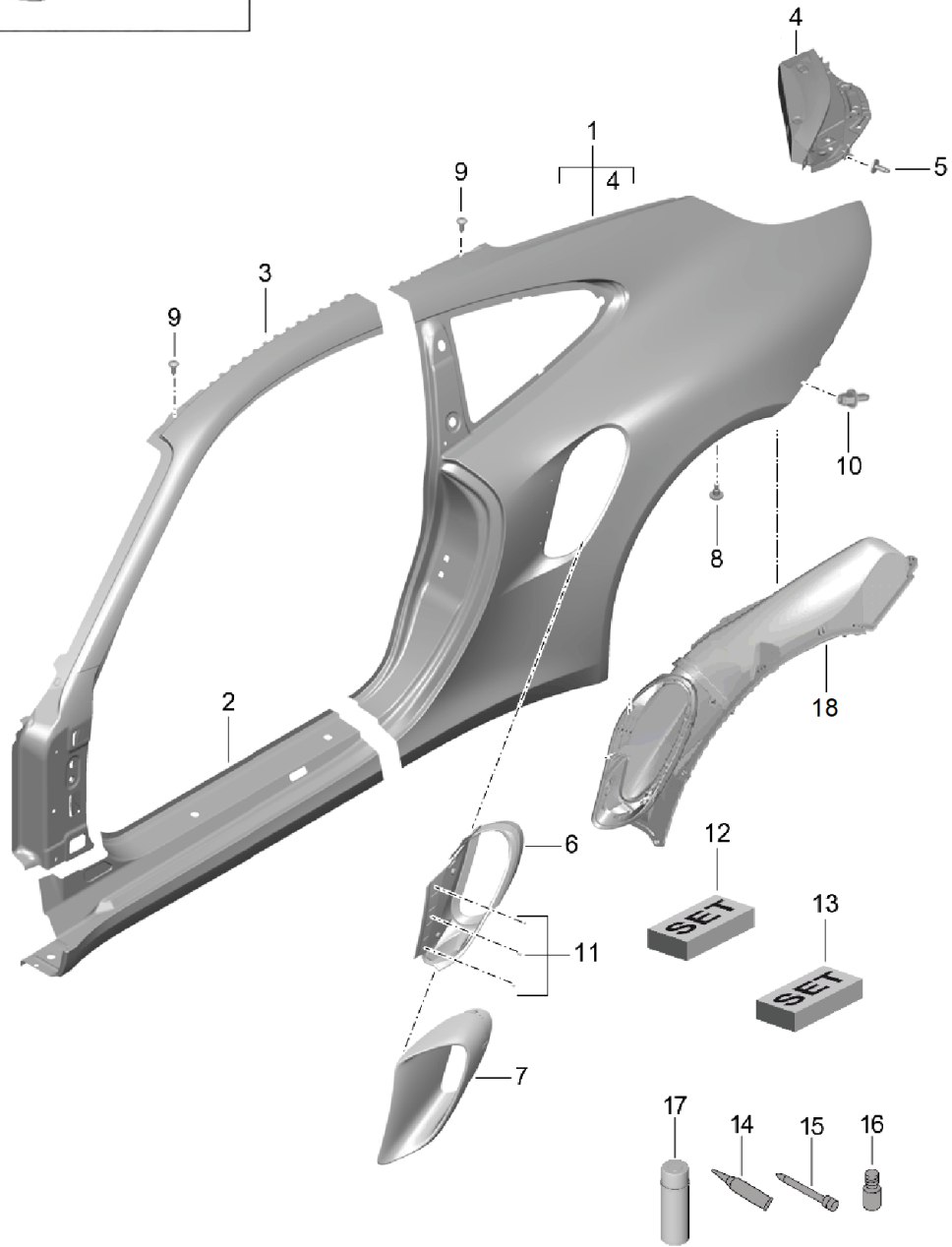
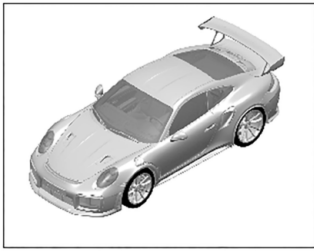
Model life 2014>>

Pos	Part Number	Description	Remark	Qty	Model
1	991 503 961 04	Side part	outer		Coupe
	991 503 961 04	Side part	left	1	
(1)	991 503 961 04 GRV	primed			
	991 503 962 04	Side part	right	1	
	991 503 962 04 GRV	primed			
2	991 503 963 04	Sill	left	1	
	991 503 963 04 GRV	primed			
(2)	991 503 964 04	Sill	right	1	
	991 503 964 04 GRV	primed			
3	991 503 965 04	A-pillar	left	1	
	991 503 965 04 GRV	primed			
(3)	991 503 966 04	A-pillar	right	1	
	991 503 966 04 GRV	primed			
5	991 502 361 02	Frame for light	left	1	
	991 502 361 02 GRV	primed			
(5)	991 502 362 02	Frame for light	right	1	
	991 502 362 02 GRV	primed			
6	999 503 533 02	Weld screw		X	
		M6X20			
7	991 504 371 00	Air inlet	left	1	
	991 504 371 00 1E0	Black			
(7)	991 504 372 00	Air inlet	right	1	
	991 504 372 00 1E0	Black			
(7)	991 504 925 01	Air inlet	left	1	PR:789
		primed			
(7)	991 504 926 01	Air inlet	right	1	PR:789
		primed			
8	991 504 459 00	Air guide channel	left	1	
	991 504 459 00 1E0	Black			
(8)	991 504 460 00	Air guide channel	right	1	
	991 504 460 00 1E0	Black			
9	999 074 060 09	Hexagon bolt		22	
		M6X18			
10	999 073 155 09	panel screw		4	
		ST.4,2X13			
11	999 080 057 01	Blind rivet stud		X	
		Side part			
		M 6 X 15			
12	000 043 206 29	Adhesive set		1	
13	000 043 206 30	adhesive		1	
14	000 043 206 31	Double cartridge gun		1	
15	000 043 206 32	emulsion tube		1	
16	000 043 206 33	activator		1	



Model: 991T13

Model life 2014>>



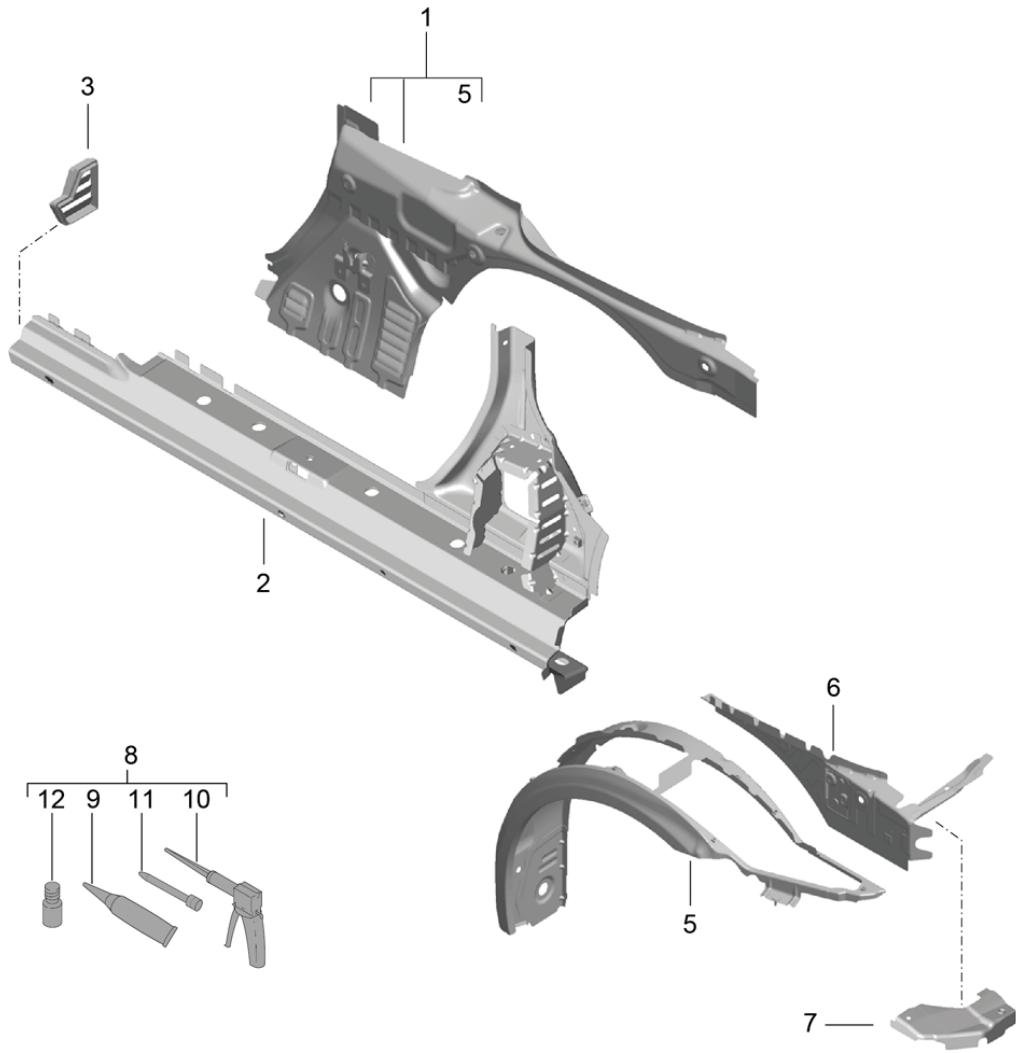
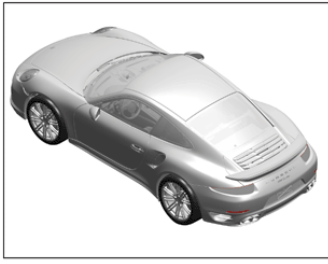
Model: 991T13

Model life 2014>>

Pos	Part Number	Description	Remark	Qty	Model
1	991 503 961 80	Side part Side part	outer left	1	GT2 RS
		with:			
	991 503 961 80 GRV	Retaining frame primed			
		also use:	000 043 305 41		
(1)	991 503 961 80	Side part	right	1	
		with:			
	991 503 961 80 GRV	Retaining frame primed			
		also use:	000 043 305 41		
2	991 503 963 04	Sill	left	1	
	991 503 963 04 GRV	primed			
		also use:	000 043 305 41		
(2)	991 503 964 04	Sill	right	1	
	991 503 964 04 GRV	primed			
		also use:	000 043 305 41		
3	991 503 965 04	A-pillar	left	1	
	991 503 965 04 GRV	primed			
		also use:	000 043 305 41		
(3)	991 503 966 04	A-pillar	right	1	
	991 503 966 04 GRV	primed			
		also use:	000 043 305 41		
4	991 502 361 02	Frame for light	left	1	
	991 502 361 02 GRV	primed			
(4)	991 502 362 02	Frame for light	right	1	
	991 502 362 02 GRV	primed			
5	999 503 533 02	Weld screw M6X20		X	
6	991 503 861 80	Retaining frame Air inlet	left	1	
(6)	991 503 862 80	Retaining frame Air inlet	right	1	
7	991 504 331 80	Trim Air inlet	left	1	
	991 504 331 80 A3G	Carbon Matt Black			
(7)	991 504 332 80	Trim Air inlet	right	1	
	991 504 332 80 A3G	Carbon Matt Black			
8	999 074 060 09	Hexagon bolt M6X18		X	
9	999 073 155 09	panel screw ST.4,2X13		4	
10	999 080 057 01	Blind rivet stud Side part M 6 X 15		X	
11	999 190 245 01	Pop rivet Retaining frame 3,2X9,7		X	
12	000 043 305 35	2K pane adhesive set for Retaining frame		X	
13	000 043 206 29	Adhesive set		1	
14	000 043 305 41	adhesive		1	
15	000 043 206 32	emulsion tube		1	
16	000 043 207 70	activator		1	
17	000 043 305 51	cavity preservative agent 400 ML		X	

Model: 991T13

Model life 2014>>



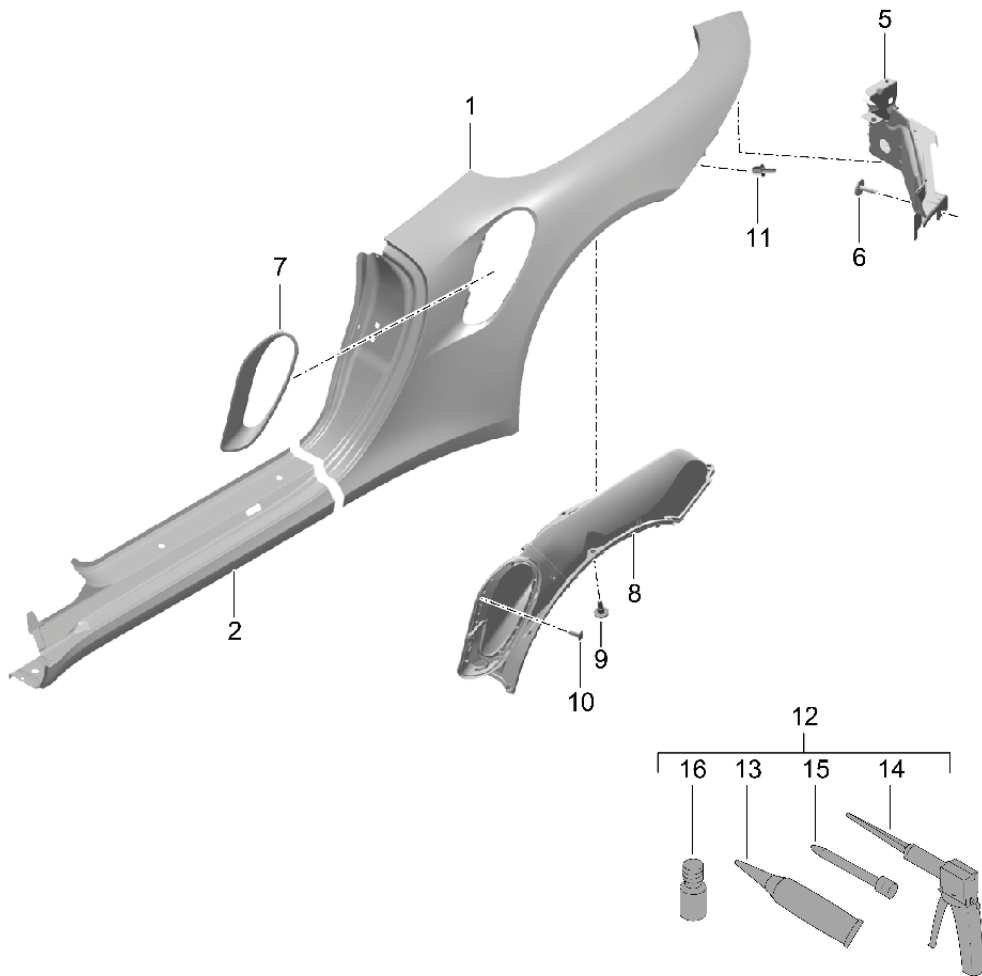
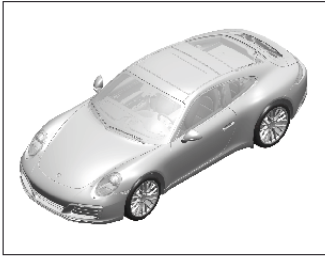
Model: 991T13

Model life 2014>>

Pos	Part Number	Description	Remark	Qty	Model
1	991 502 019 09	Side part	inner	1	Cabrio
	991 502 019 09 GRV	Side part primed	left	1	
(1)	991 502 020 09	Side part	right	1	
	991 502 020 09 GRV	Side part primed			
2	991 502 563 01	Reinforcement	left	1	
	991 502 563 01 GRV	Reinforcement primed			
		Sill			
(2)	991 502 564 01	Reinforcement	right	1	
	991 502 564 01 GRV	Reinforcement primed			
		Sill			
3	991 572 311 01	Water protection cap	left	1	
(3)	991 572 312 01	Water protection cap	right	1	
5	991 502 915 00	Wheel housing	left	1	
	991 502 915 00 GRV	Wheel housing primed			
(5)	991 502 916 00	Wheel housing	right	1	
	991 502 916 00 GRV	Wheel housing primed			
6	991 502 085 02	Side part	left rear	1	
	991 502 085 02 GRV	Side part primed			
(6)	991 502 086 02	Side part	right rear	1	
	991 502 086 02 GRV	Side part primed			
7	991 502 475 00	Console	left rear	1	
	991 502 475 00 GRV	Console primed			
(7)	991 502 476 00	Console	right rear	1	
	991 502 476 00 GRV	Console primed			
8	000 043 206 29	Adhesive set		1	
9	000 043 206 30	adhesive		1	
10	000 043 206 31	Double cartridge gun		1	
11	000 043 206 32	emulsion tube		1	
12	000 043 206 33	activator		1	

Model: 991T13

Model life 2014>>



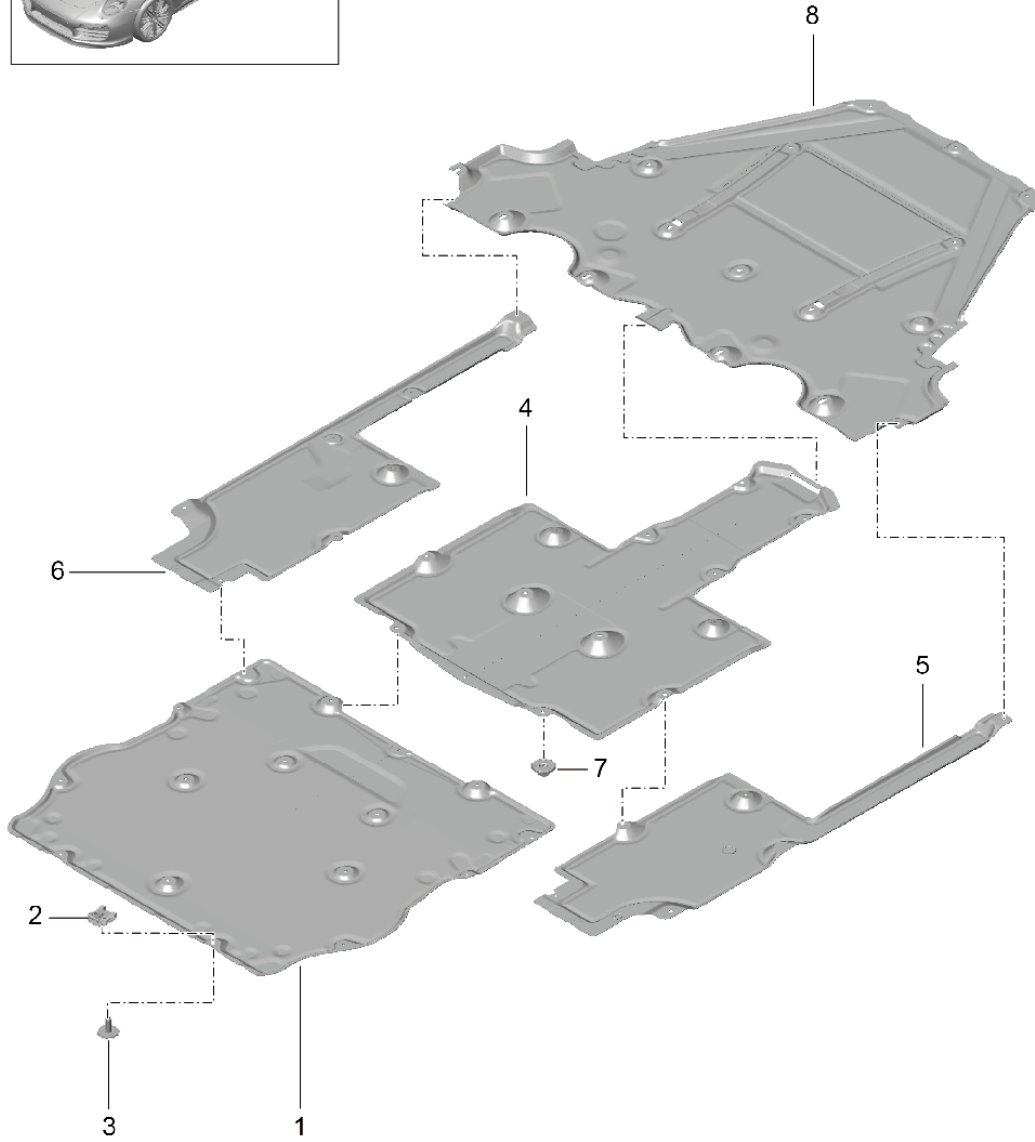
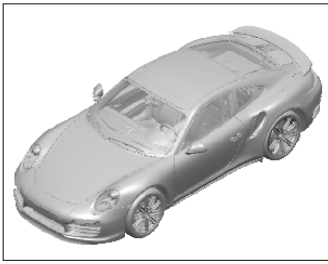
Model: 991T13

Model life 2014>>

Pos	Part Number	Description	Remark	Qty	Model
1	991 503 961 05	Side part	outer		Cabrio
	991 503 961 05 GRV	Side part primed	left	1	
(1)	991 503 962 05	Side part	right	1	
	991 503 962 05 GRV	Side part primed			
2	991 503 963 05	Sill	left	1	
	991 503 963 05 GRV	Sill primed			
(2)	991 503 964 05	Sill	right	1	
	991 503 964 05 GRV	Sill primed			
5	991 502 361 02	Frame for light	left	1	
	991 502 361 02 GRV	Frame for light primed			
(5)	991 502 362 02	Frame for light	right	1	
	991 502 362 02 GRV	Frame for light primed			
6	999 503 533 02	Weld screw M6X20		X	
7	991 504 371 00	Air inlet	left	1	
	991 504 371 00 1E0	Black			
(7)	991 504 372 00	Air inlet	right	1	
	991 504 372 00 1E0	Black			
(7)	991 504 925 01	Air inlet	left	1	PR:789
	991 504 925 01 G2X	Air inlet primed G2X			
(7)	991 504 926 01	Air inlet	right	1	PR:789
	991 504 926 01 G2X	Air inlet primed G2X			
8	991 504 459 00	Air guide channel	left	1	
	991 504 459 00 1E0	Black			
(8)	991 504 460 00	Air guide channel	right	1	
	991 504 460 00 1E0	Black			
9	999 074 060 09	Hexagon bolt M6X18		22	
10	999 073 155 09	panel screw ST.4,2X13		4	
11	999 080 057 01	Blind rivet stud M 6 X 15		X	
12	000 043 206 29	Adhesive set		1	
13	000 043 206 30	adhesive		1	
14	000 043 206 31	Double cartridge gun		1	
15	000 043 206 32	emulsion tube		1	
16	000 043 206 33	activator		1	

Model: 991T13

Model life 2014>>



Model: 991T13

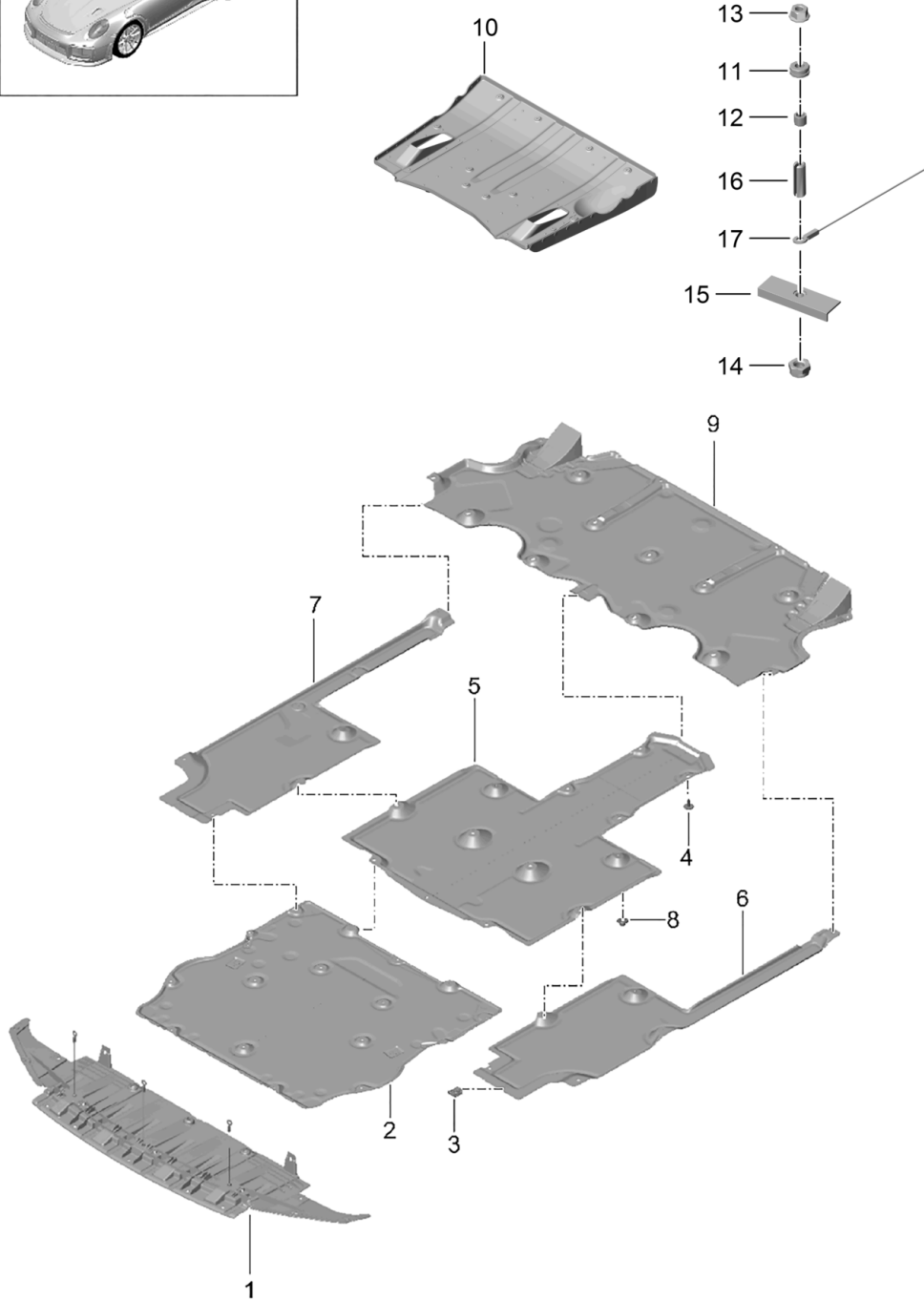
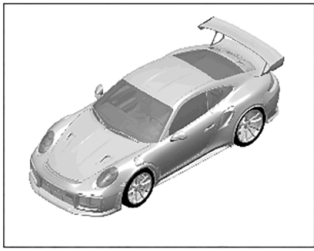
Model life 2014>>

Pos	Part Number	Description	Remark	Qty	Model
1	991 504 601 03	Underbody Linings D >> - MJ 2016 Cover	front	1	
2	999 507 795 09	panel nut ST 4,8		X	
3	999 073 505 01	panel screw ST 4,8X16		X	
4	991 504 603 03	Cover D >> - MJ 2016	center	1	
5	991 504 605 00	Cover D >> - MJ 2016	left center	1	
6	991 504 606 00	Cover D >> - MJ 2016	right center	1	
7	999 049 032 40	Hexagon plastic collar nut T6/22X10,5		X	
8	991 504 609 02	Cover Underbody D >> - MJ 2016	rear	1	Coupe
(8)	991 504 609 03	Cover Underbody D >> - MJ 2016	rear	1	Cabrio



Model: 991T13

Model life 2014>>



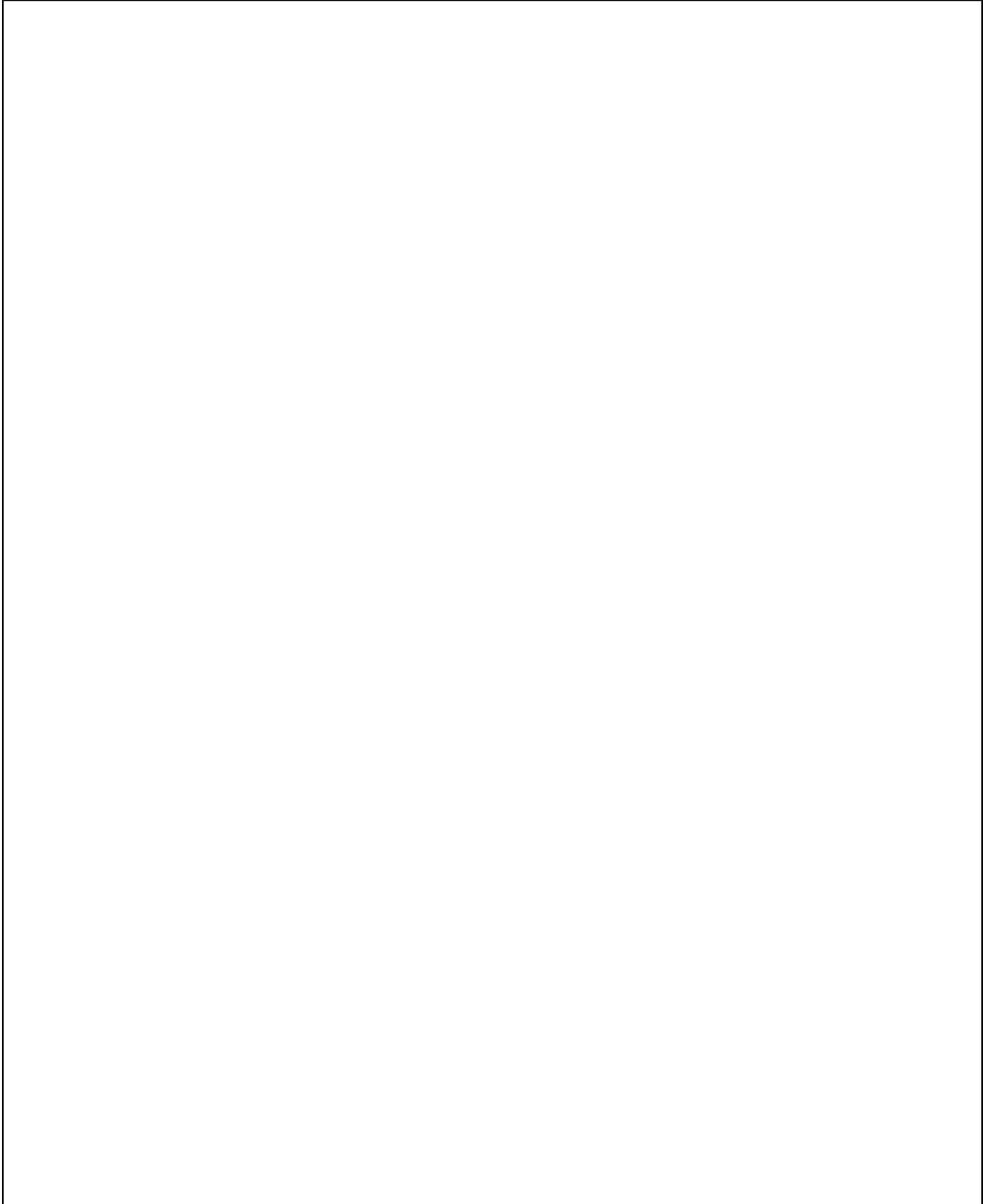
Model: 991T13

Model life 2014>>

Pos	Part Number	Description	Remark	Qty	Model
1	991 505 601 84	Underbody trim Underbody trim Cover	front	1	GT2RS
2	991 505 601 84 OK1	Matt black			
2	991 504 601 07	Cover	front	1	
3	999 507 795 09	panel nut ST 4,8		X	
4	999 073 505 01	panel screw ST 4,8X16		X	
5	991 504 603 00	Cover	center	1	
6	991 504 605 00	Cover	left	1	
7	991 504 606 00	Cover	center right center	1	
8	999 049 032 40	Hexagon plastic collar nut T6/22X10,5		X	
9	991 504 609 03	Cover	rear	1	
10	991 504 257 81	Underbody trim Cover	rear	1	
11	999 702 319 41	Grommet	rear	X	
12	991 504 867 90	Underbody trim Sleeve	rear	X	
13	N 106 092 04	Underbody trim Hexagon collar nut	upper	3	
14	900 034 053 01	Hexagon nut for adjustment element	M8 M10	3	
15	991 505 691 84	angle	lower	3	
16	991 505 695 84	adjustment element	lower	3	
17	991 505 693 84	tension wire	lower	3	
18	999 073 348 09	Underbody trim fillister hd. bolt	M6X20-TC-U	1	

Model: 991T13

Model life 2014>>



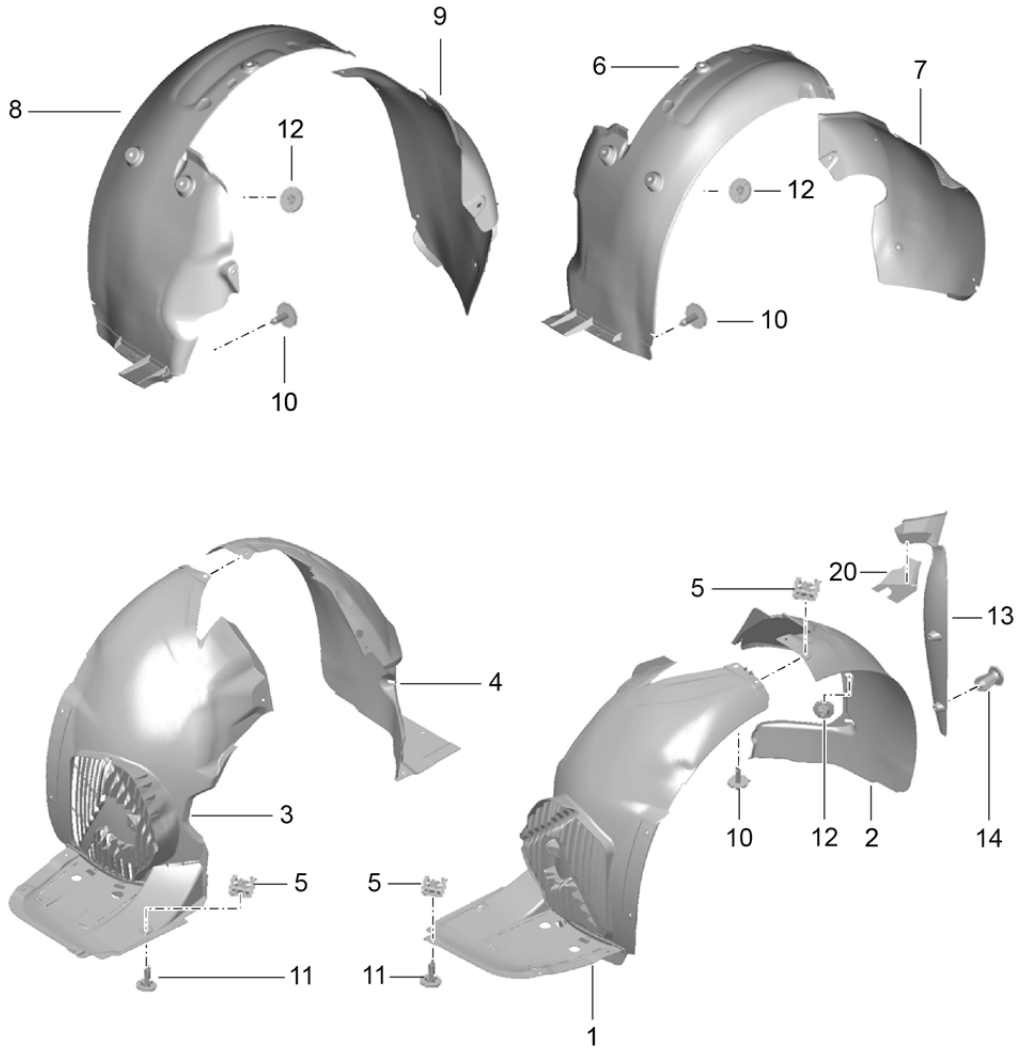
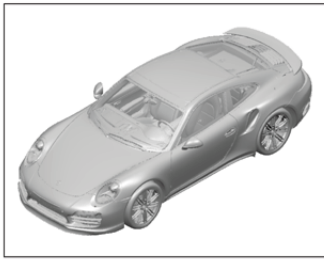
Model: 991T13

Model life 2014>>

Pos	Part Number	Description	Remark	Qty	Model
		Underbody Linings D - MJ 2017>>			
1	991 504 601 00	Cover	front	1	
2	999 507 795 09	panel nut ST 4,8		X	
3	999 073 505 01	panel screw ST 4,8X16		X	
4	991 504 603 03	Cover	center	1	
5	991 504 605 00	Cover	left	1	
6	991 504 606 00	Cover	center right center	1	
7	999 049 032 40	Hexagon plastic collar nut T6/22X10,5		X	
8	991 504 609 02	Cover	rear	1	Coupe
(8)	991 504 609 03	Underbody Cover Underbody	rear	1	Cabrio

Model: 991T13

Model life 2014>>

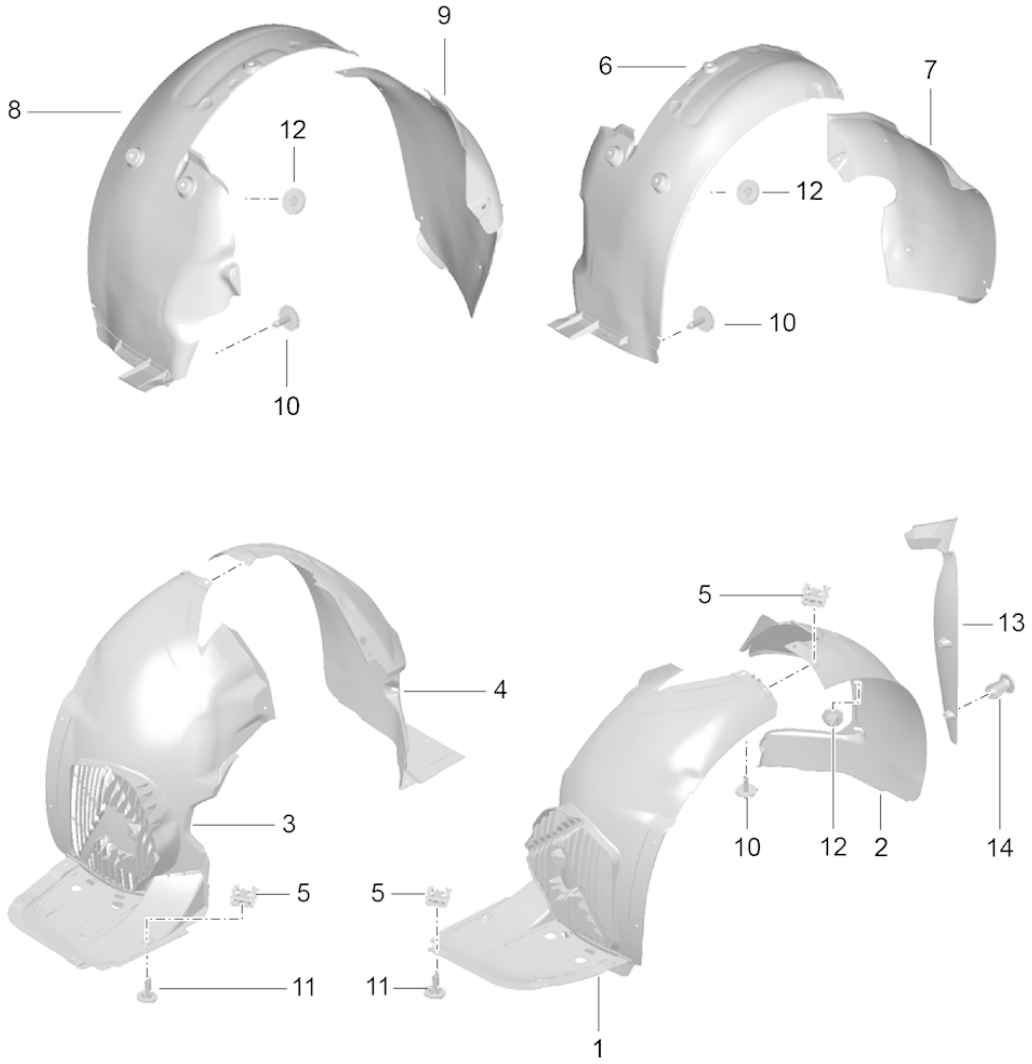
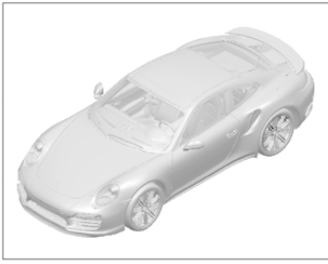


Model: 991T13 Model life 2014>>

Pos	Part Number	Description	Remark	Qty	Model
		Wheel housing liner Linings D >> - MJ 2016			
(1)	991 504 501 02	Wheel housing liner	left front	1	
2	991 504 503 01	Wheel housing liner	left front rear	1	
3	991 504 502 02	Wheel housing liner	right front	1	
4	991 504 504 01	Wheel housing liner	right front rear	1	
5	999 507 795 09	panel nut ST 4,8		X	
6	991 504 305 02	Wheel housing liner	left rear front	1	
7	991 504 509 00	Wheel housing liner	left rear	1	
8	991 504 306 02	Discontinued part Wheel housing liner	right rear front	1	
9	991 504 510 00	Wheel housing liner	right rear	1	
10	999 073 505 01	Discontinued part panel screw ST 4,8X16		X	
11	999 073 227 09	panel screw ST 4,8X19		X	
12	999 049 032 40	Hexagon plastic collar nut T6/22X10,5		X	
13	991 504 641 00	trim for a-pillar	left	1	
	991 504 641 00 1E0	Black			
(13)	991 504 642 00	trim for a-pillar	right	1	
	991 504 642 00 1E0	Black			
14	999 591 712 40	Spreader rivet 6,0X12,0		6	
20	991 555 747 00	Trim A-pillar Wing	left	1 1 1	
	991 555 747 00 1E0	Black			
(20)	991 555 748 00	Trim A-pillar Wing	right	1 1 1	
	991 555 748 00 1E0	Black			

Model: 991T13

Model life 2014>>



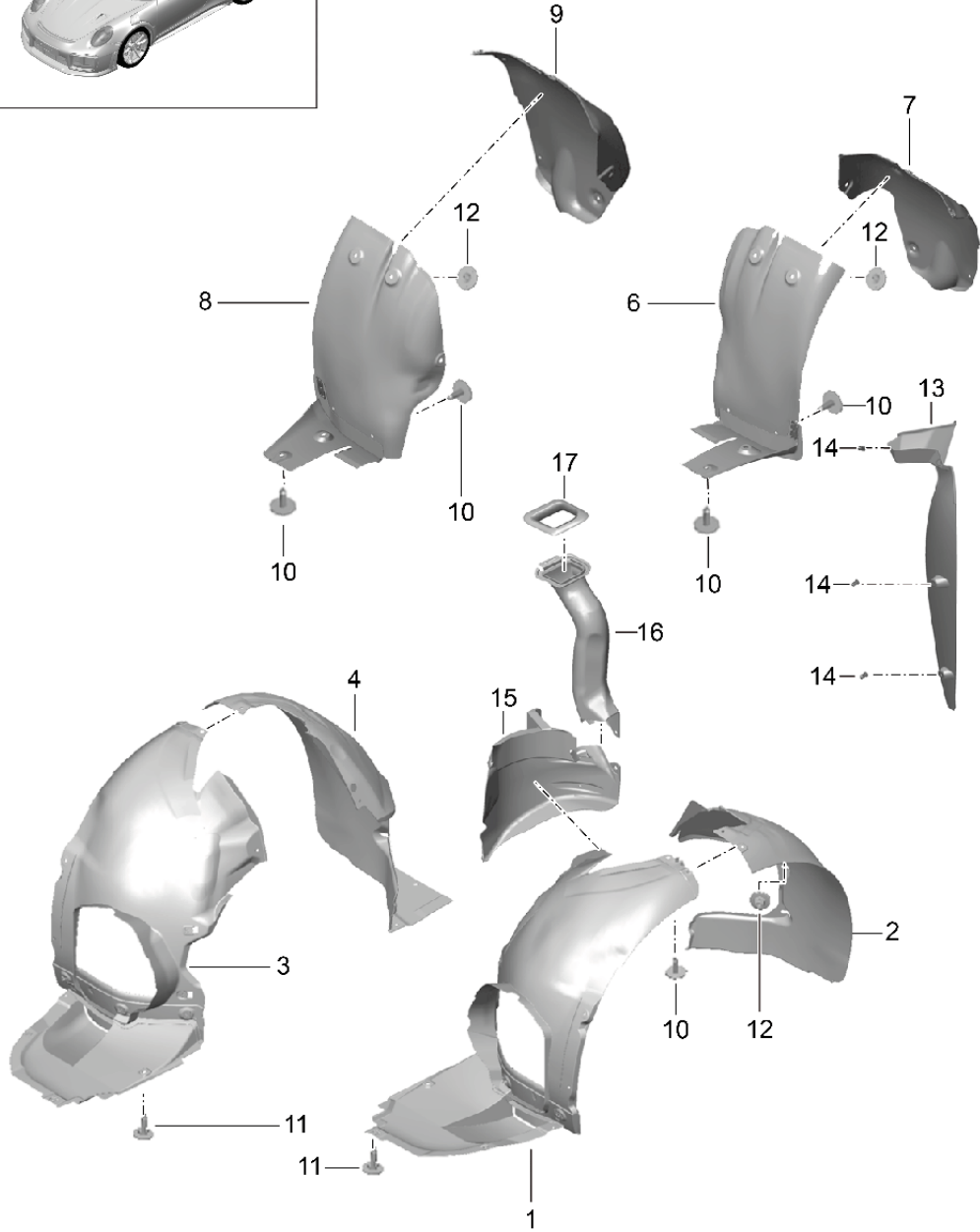
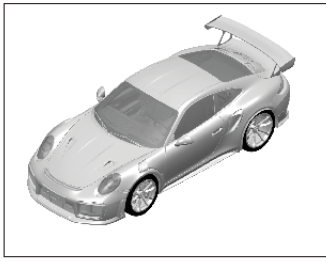
Model: 991T13 Model life 2014>>

Pos	Part Number	Description	Remark	Qty	Model
		Wheel housing liner Linings D - MJ 2017>>			
(1)	991 504 501 07	Wheel housing liner	left front	1	
2	991 504 503 04	Wheel housing liner	left front rear	1	
3	991 504 502 07	Wheel housing liner	right front	1	
4	991 504 504 01	Wheel housing liner	right front rear	1	
5	999 507 795 09	panel nut ST 4,8		X	
6	991 504 305 02	Wheel housing liner	left rear front	1	
7	991 504 509 05	Wheel housing liner	left rear	1	
8	991 504 306 02	Wheel housing liner	right rear front	1	
9	991 504 510 05	Wheel housing liner	right rear	1	
10	999 073 505 01	panel screw ST 4,8X16		X	
11	999 073 227 09	panel screw ST 4,8X19		X	
12	999 049 032 40	Hexagon plastic collar nut T6/22X10,5		X	
13	991 504 641 00	trim for a-pillar	left	1	
	991 504 641 00 1E0	Black			
(13)	991 504 642 00	trim for a-pillar	right	1	
	991 504 642 00 1E0	Black			
14	999 591 712 40	Spreader rivet 6,0X12,0		6	



Model: 991T13

Model life 2014>>

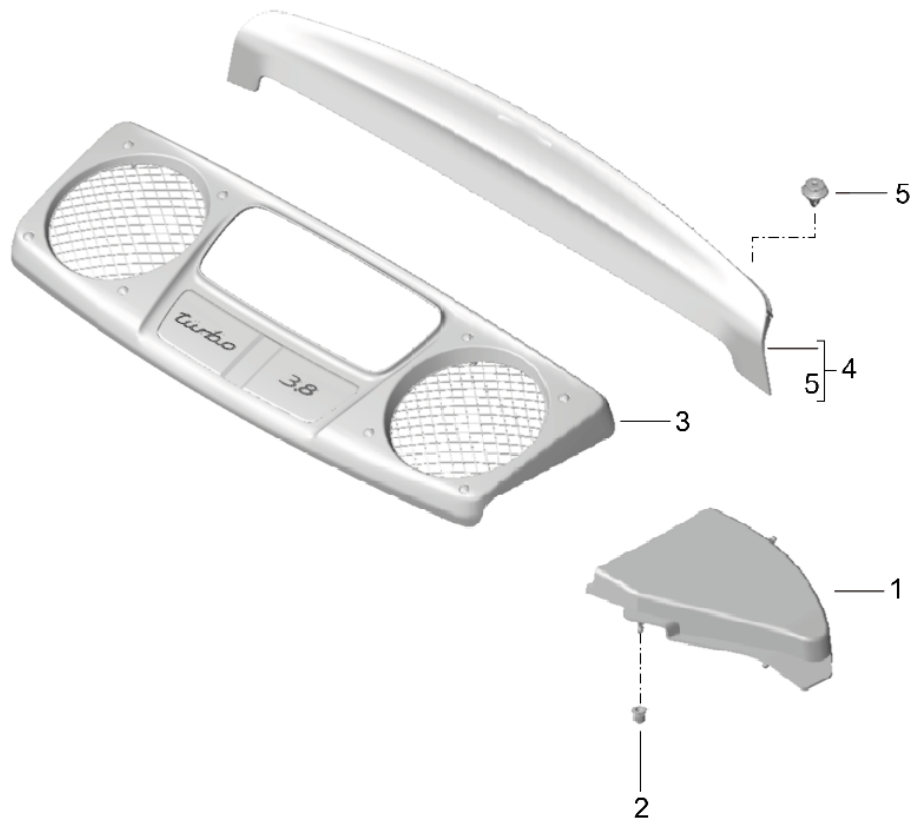
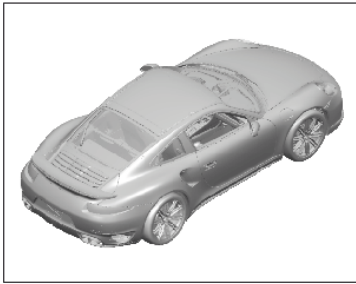


Model: 991T13 Model life 2014>>

Pos	Part Number	Description	Remark	Qty	Model
		Wheel housing liner Trim			GT2 RS
1	991 504 501 87	Wheel housing liner	front	1	
2	991 504 503 81	Wheel housing liner	front left	1	
3	991 504 502 87	Wheel housing liner	front rear	1	
4	991 504 504 81	Wheel housing liner	front right	1	
6	991 504 305 84	Wheel housing liner	front rear left	1	
7	991 504 509 84	Wheel housing liner	rear left	1	
8	991 504 306 84	Wheel housing liner	rear right	1	
9	991 504 510 84	Wheel housing liner	front rear right	1	
10	999 073 505 01	panel screw		X	
		ST 4,8X16			
11	999 073 227 09	panel screw		X	
		ST 4,8X19			
12	999 049 032 40	Hexagon plastic collar nut		X	
		T6/22X10,5			
13	991 504 641 B1	Trim	left	1	
		A-pillar			
	991 504 641 B1 1E0	Black			
(13)	991 504 642 B1	Trim	right	1	
		A-pillar			
	991 504 642 B1 1E0	Black			
14	999 591 712 40	Spreader rivet		6	
		6,0X12,0			
15	991 575 131 82	Air guide	left	1	
		Wheel housing liner			
(15)	991 575 132 82	Air guide	right	1	
		Wheel housing liner			
16	991 575 515 80	Air guide channel	left	1	
(16)	991 575 516 80	Air guide channel	right	1	
17	991 575 517 80	Connector union	left	1	
		Black			
(17)	991 575 518 80	Connector union	right	1	
		Black			
18	991 505 123 00	Retaining bracket	left	1	
		Wheel housing liner			
(18)	991 505 124 00	Retaining bracket	right	1	
		Wheel housing liner			

Model: 991T13

Model life 2014>>



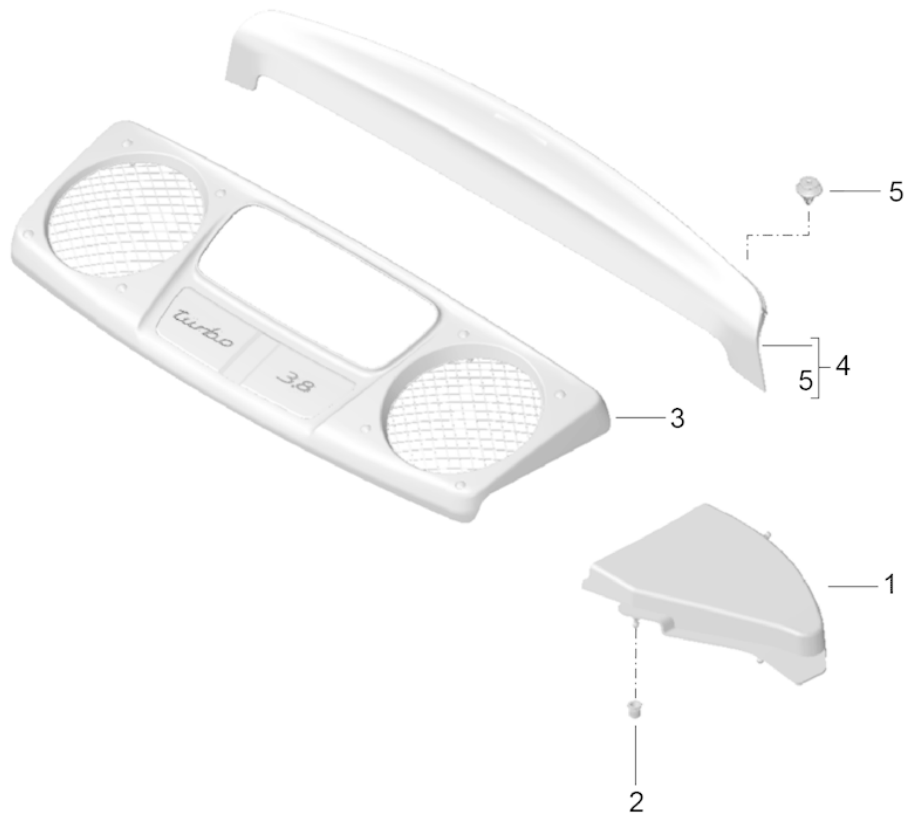
Model: 991T13

Model life 2014>>

Pos	Part Number	Description	Remark	Qty	Model
1	991 504 566 01	Trim Engine compartment D >> - MJ 2016 cover for engine compartment	side	1	
2	991 504 566 01 1E0	Black		X	
3	997 110 239 00	Support		1	PR:-092
	991 504 583 01	cover for engine compartment with:		1	
		Badge *TURBO 3,8*			
(3)	991 504 583 01 1E0	Black		1	PR:092
	991 504 583 03	cover for engine compartment with:			
		Badge *TURBO S 3,8*			
	991 504 583 03 1E0	Black			
4	991 504 585 00	Cover Cross member		1	Coupe
	991 504 585 00 1E0	Black			
5	999 507 999 40	Retaining clip 8,1 X 2,00		5	Coupe

Model: 991T13

Model life 2014>>



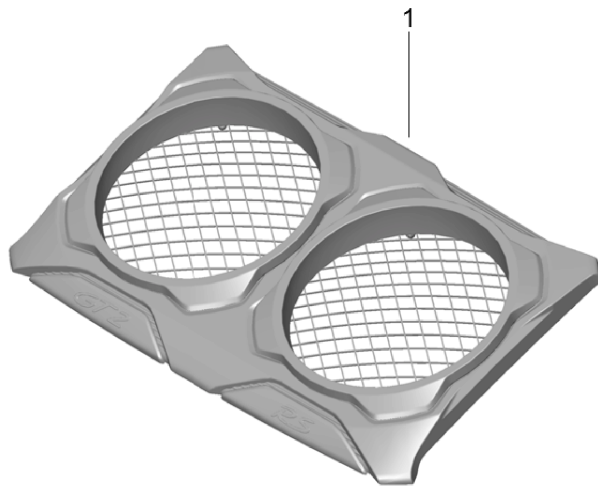
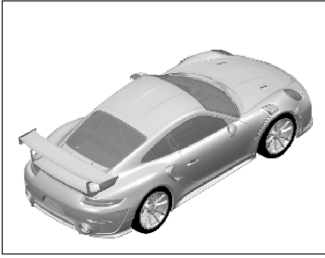
Model: 991T13

Model life 2014>>

Pos	Part Number	Description	Remark	Qty	Model
1	991 504 566 01	Trim Engine compartment D - MJ 2017>> cover for engine compartment	side	1	
	991 504 566 01 1E0	Black			
2	997 110 239 00	Support		X	
3	991 504 583 01	cover for engine compartment with:		1	PR:-092
		Badge *TURBO 3,8*			
(3)	991 504 583 01 1E0	Black			
	991 504 583 03	cover for engine compartment with:		1	PR:092
		Badge *TURBO S 3,8*			
	991 504 583 03 1E0	Black			
4	991 504 585 00	Cover Cross member		1	Coupe
	991 504 585 00 1E0	Black			
5	999 507 999 40	Retaining clip 8,1 X 2,00		5	Coupe

Model: 991T13

Model life 2014>>



Model: 991T13

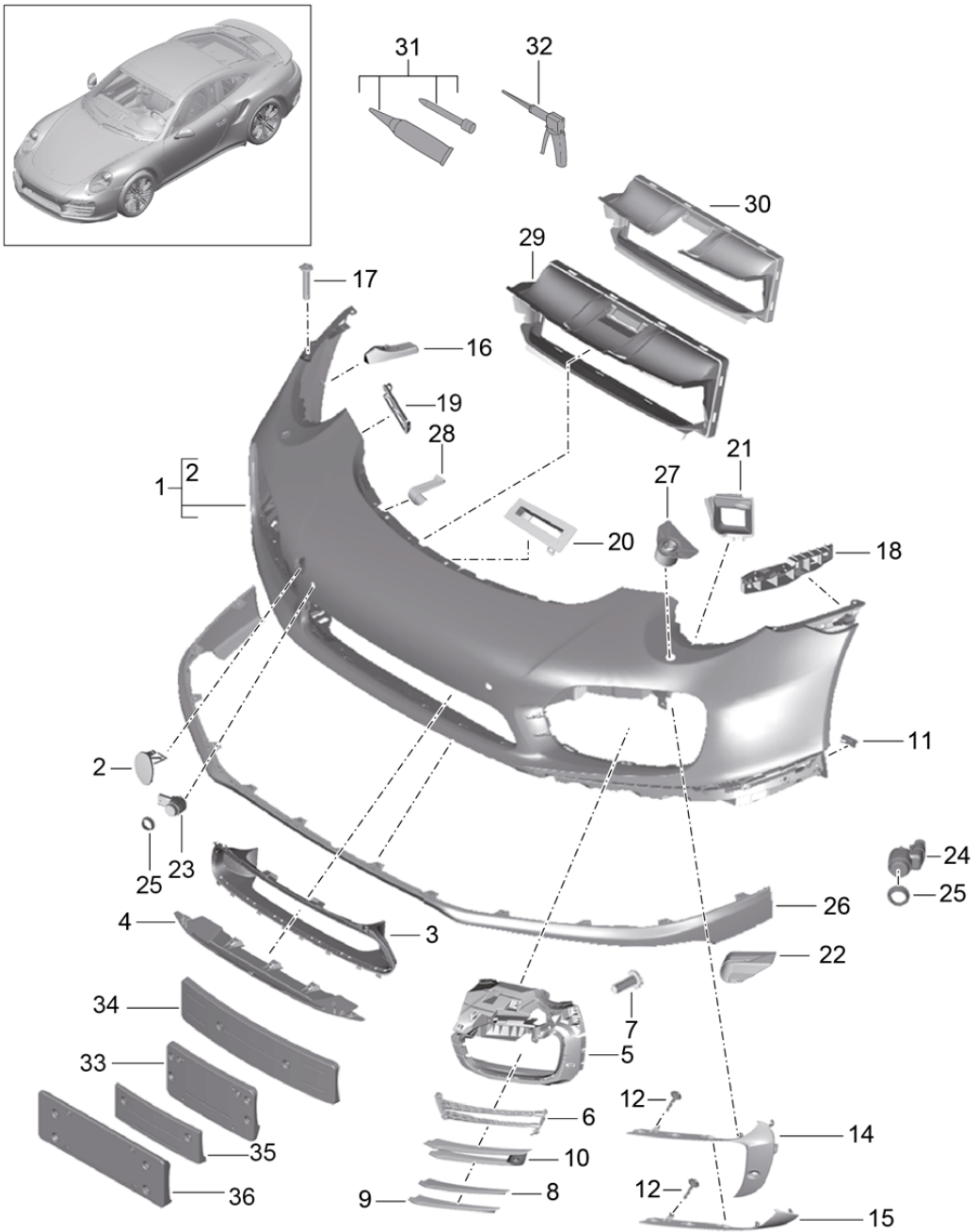
Model life 2014>>

Pos	Part Number	Description	Remark	Qty	Model
1	991 504 583 81	Trim Engine compartment cover for engine compartment with:		1	GT2 RS
2	991 504 583 81 0GT 997 110 239 00	Badge GT2 RS 4.0 Black Support		X	



Model: 991T13

Model life 2014>>



Model: 991T13 Model life 2014>>

Pos	Part Number	Description	Remark	Qty	Model
1	991 505 911 01	bumper Trim	front	1	PR:288,-636, -638
(1)	991 505 911 02	Trim		1	PR:288,636
(1)	991 505 911 02	Trim		1	PR:288,638
2	991 505 703 01	cover for towing eye		1	
	991 505 703 01 G2X	primed			
3	991 505 569 03	Retaining frame	center	1	
	991 505 569 03 1E0	Black			
4	991 575 161 01	Air guide		1	
5	991 505 563 02	Retaining frame	left side	1	PR:-092,-859
	991 505 563 02 1E0	Black			
(5)	991 505 563 03	Retaining frame	left side	1	PR:092,-859
	991 505 563 03 1E0	Black			
(5)	991 505 563 03	Retaining frame	left side	1	PR:859
	991 505 563 03 1E0	Black			
(5)	991 505 564 02	Retaining frame	right side	1	PR:-092,-859
	991 505 564 02 1E0	Black			
(5)	991 505 564 03	Retaining frame	right side	1	PR:092,-859
	991 505 564 03 1E0	Black			
(5)	991 505 564 03	Retaining frame	right side	1	PR:859
	991 505 564 03 1E0	Black			
6	991 505 733 00	Support for bicycle	left side	1	
(6)	991 505 734 00	Support for bicycle	right side	1	
7	999 919 246 01	fillister hd. bolt 6,0X18,0-Q		8	
8	991 505 763 02	Disc Retaining frame	left left upper	1	
		Parking aid	without:		
	991 505 763 02 1E0	Black			
(8)	991 505 764 02	Disc Retaining frame	right right upper	1	
		Parking aid	without:		
	991 505 764 02 1E0	Black			
(8)	991 505 763 04	Disc Retaining frame	left left upper	1	PR:092,-859
	991 505 763 04 1E0	Black			
(8)	991 505 763 04	Disc Retaining frame	left left upper	1	PR:859
	991 505 763 04 1E0	Black			
(8)	991 505 764 04	Disc Retaining frame	right right upper	1	PR:092,-859
	991 505 764 04 1E0	Black			
(8)	991 505 764 04	Disc Retaining frame	right right upper	1	PR:859
	991 505 764 04 1E0	Black			
9	991 505 765 01	Disc Retaining frame	left lower	1	
		Parking aid	without:		
	991 505 765 01 1E0	Black			
(9)	991 505 766 01	Disc Retaining frame	right lower	1	

Model: 991T13

Model life 2014&gt;&gt;

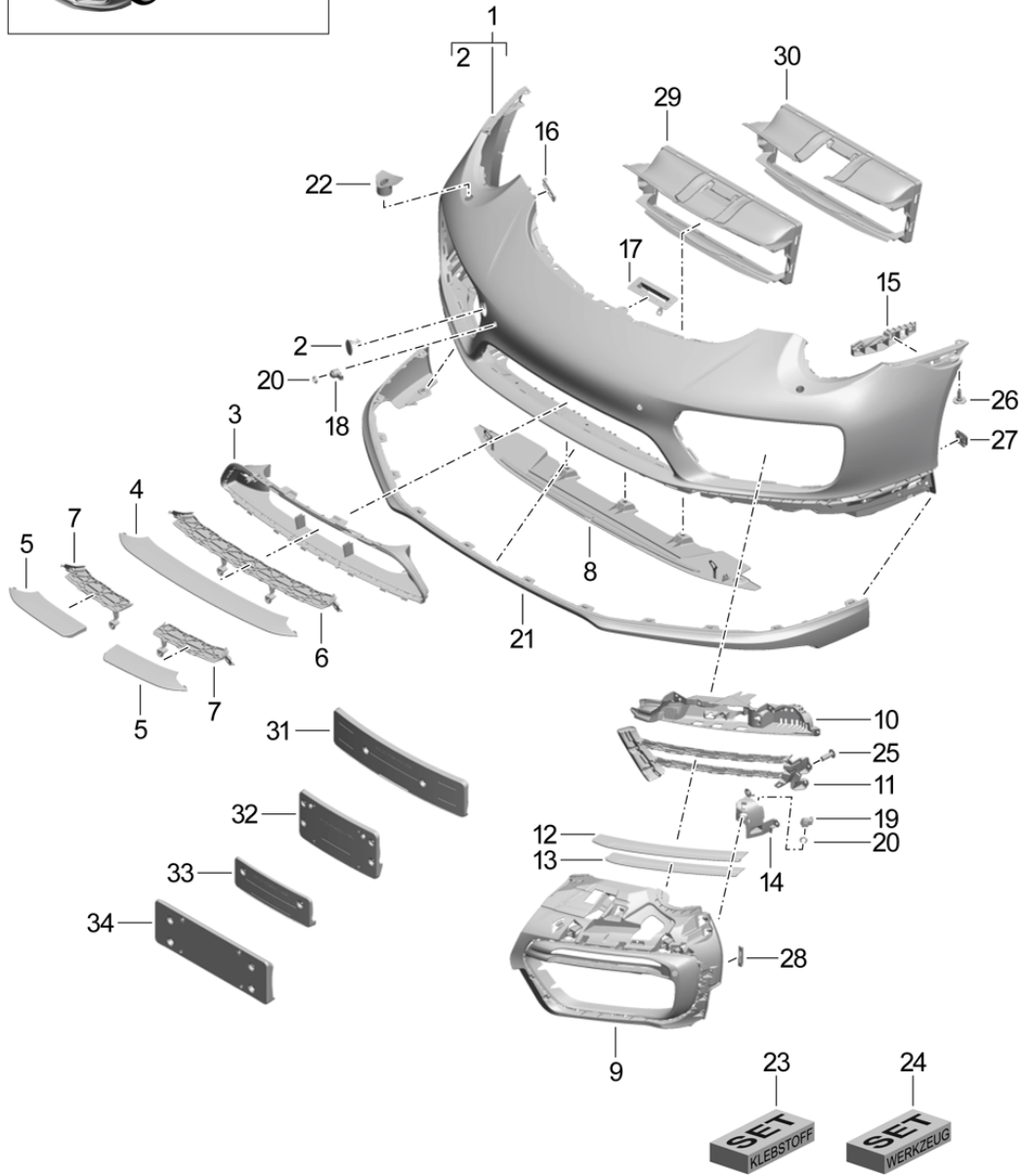
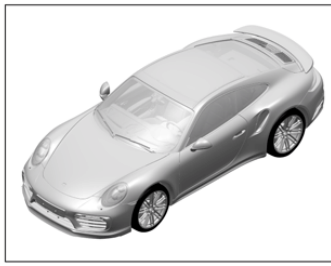
Pos	Part Number	Description	Remark	Qty	Model
		without:			
	991 505 766 01 1E0	Parking aid			
(9)	991 505 765 02	Black Disc	left	1	PR:092,-859
	991 505 765 02 1E0	Retaining frame	lower		
(9)	991 505 765 02	Black Disc	left	1	PR:859
	991 505 765 02 1E0	Retaining frame	lower		
(9)	991 505 766 02	Black Disc	right	1	PR:092,-859
	991 505 766 02 1E0	Retaining frame	lower		
(9)	991 505 766 02	Black Disc	right	1	PR:859
	991 505 766 02 1E0	Retaining frame	lower		
10	991 505 743 01	Black Disc	left	1	PR:636,638, -092,-859
	991 505 743 01 1E0	Retaining frame			
	991 505 743 01 1E0	Parking aid			
(10)	991 505 744 01	Black Disc	right	1	PR:636,638, -092,-859
	991 505 744 01 1E0	Retaining frame			
	991 505 744 01 1E0	Parking aid			
11	999 507 795 09	Black panel nut		8	
		ST 4,8			
12	999 919 268 01	fillister hd. bolt		6	
		3,0X13,0			
14	991 505 543 00	Air-guide cowl	left	1	PR:092,636, 638,-859
	991 505 543 00 1E0	Additional headlight			
(14)	991 505 543 00	Black Air-guide cowl	left	1	PR:636,638, 859
	991 505 543 00 1E0	Additional headlight			
(14)	991 505 544 00	Black Air-guide cowl	right	1	PR:092,636, 638,-859
	991 505 544 00 1E0	Additional headlight			
(14)	991 505 544 00	Black Air-guide cowl	right	1	PR:636,638, 859
	991 505 544 00 1E0	Additional headlight			
15	991 505 783 00	Front end cover	left	1	PR:-092,-859
	991 505 783 00 1E0	Additional headlight			
(15)	991 505 784 00	Black Front end cover	right	1	PR:-092,-859
	991 505 784 00 1E0	Additional headlight			
16	991 505 573 00	Black corner part	left	1	
	991 505 573 00	Trim			
(16)	991 505 574 00	Black corner part	right	1	
	991 505 574 00	Trim			
17	999 190 191 30	Pop rivet		2	
		A 3,2X17,0			
18	991 505 535 00	retaining strip	left	1	
	991 505 535 00		side		
(18)	991 505 536 00	retaining strip	right	1	
	991 505 536 00		side		
19	997 505 719 00	Fixing		1	
20	991 505 781 00	Bracket for trim		1	PR:625
	991 505 781 00	Sensor			
	991 505 781 00	'Keyless Entry (KESSY)'			
21	991 575 521 00	guide funnel	left	1	
	991 575 521 00	Fanfare			
(21)	991 575 522 00	guide funnel	right	1	
	991 575 522 00	Fanfare			

Model: 991T13 Model life 2014>>

Pos	Part Number	Description	Remark	Qty	Model
22	991 505 883 00	Protective cap Parking aid	left outer	1	PR:092,636, 638,859
	991 505 883 00 1E0	Black			
(22)	991 505 884 00	Protective cap Parking aid	right outer	1	PR:092,636, 638,859
	991 505 884 00 1E0	Black			
23	5Q0 919 275	Sensor Parking aid	inner	2	PR:636,638
	5Q0 919 275 G2X	primed			
24	5Q0 919 275 A	Sensor Parking aid	outer	2	PR:636,638
25	5Q0 919 133	seal ring Sensor Parking aid		4	PR:636,638
26	991 505 525 02	Spoiler Trim		1	
	991 505 525 02 G2X	primed			
27	991 505 761 01	Retaining plate headlight washer system	left	1	PR:288
		also use:	000 043 300 47		
(27)	991 505 762 01	Retaining plate headlight washer system	right	1	PR:288
		also use:	000 043 300 47		
28	999 507 164 01	Cable fastener Hose headlight washer system		7	PR:288
29	991 575 141 02	Air guide	center	1	PR:153,-456
	991 575 141 02 1E0	Black			
30	991 575 141 03	Air guide	center	1	PR:153,456
	991 575 141 03 1E0	Black			
31	000 043 300 47	Adhesive set adhesive		1	
		with:			
		5-fold emulsion tube Bracket headlight washer system			
32	000 043 300 48	Tool set for adhesive		1	
33	991 701 051 07	Assembly kit Licence plate holder	ECE	1	PR:211
	991 701 051 07 1E0	Black			
34	991 701 051 09	Assembly kit Licence plate holder	Japan	1	PR:209
	991 701 051 09 1E0	Black			
35	991 701 051 11	Assembly kit Licence plate holder	RDW	1	PR:210
	991 701 051 11 1E0	Black			
(35)	991 701 051 12	Assembly kit Licence plate holder	Japan ACC	1	PR:209,456
	991 701 051 12 1E0	Black			
36	991 701 051 13	Assembly kit Licence plate holder	China	1	PR:075,211
	991 701 051 13 1E0	Black			

Model: 991T13

Model life 2014>>



Model: 991T13

Model life 2014>>

Pos	Part Number	Description	Remark	Qty	Model
1	991 505 912 00	bumper D - MJ 2017>> Trim	front 2nd generation	1	PR:288,636, 638,-XAF, -XAV
(1)	991 505 912 70	Trim Aerokit		1	PR:288,636, 638,XAF,XAV
2	991 505 703 03	cover for towing eye		1	
	991 505 703 03 G2X	primed			
3	991 505 569 07	Retaining frame	center	1	PR:-456
	991 505 569 07 OK1	Matt black			
(3)	991 505 569 10	Retaining frame ACC	center	1	PR:456
	991 505 569 10 OK1	Matt black			
4	991 505 759 00	Disc	center	1	PR:-456
	991 505 759 00 OK1	Matt black			
5	991 505 779 00	Disc	left center	1	PR:456
		ACC			
(5)	991 505 779 00 OK1	Matt black			
	991 505 780 00	Disc	right center	1	PR:456
		ACC			
	991 505 780 00 OK1	Matt black			
6	991 505 729 00	Support for bicycle	center	1	PR:-456
7	991 505 749 00	Support for bicycle ACC	left center	1	PR:456
(7)	991 505 750 00	Support for bicycle ACC	right center	1	PR:456
8	991 575 161 04	Air deflector vane		1	PR:-859
(8)	991 575 161 05	Air deflector vane		1	PR:859
9	991 505 563 06	Retaining frame	left side	1	
	991 505 563 06 OK1	Matt black			
(9)	991 505 564 06	Retaining frame	right side	1	
	991 505 564 06 OK1	Matt black			
10	991 505 701 00	Mounting frame	left side	1	
	991 505 701 00 OK1	Matt black			
(10)	991 505 702 00	Mounting frame	right side	1	
	991 505 702 00 OK1	Matt black			
11	991 505 733 03	Supporting frame	left side	1	
(11)	991 505 734 03	Supporting frame	right side	1	
12	991 505 763 06	Disc Retaining frame	left left upper	1	
	991 505 763 06 OK1	Matt black			
(12)	991 505 764 06	Disc Retaining frame	right right upper	1	
	991 505 764 06 OK1	Matt black			
13	991 505 765 04	Disc Retaining frame	left lower	1	
	991 505 765 04 OK1	Matt black			
(13)	991 505 766 04	Disc Retaining frame	right lower	1	
	991 505 766 04 OK1	Matt black			
14	991 505 853 05	1 set: brackets for ultrasonics sensors  Parking aid	left front outer	1	

Model: 991T13 Model life 2014>>

Pos	Part Number	Description	Remark	Qty	Model
(14)	991 505 854 05	Retainer for ultrasound sensor	right front	1	
15	991 505 535 01	Parking aid retaining strip	outer left side	1	
(15)	991 505 536 01	retaining strip	right side	1	
16	997 505 719 00	Fixing		1	
17	991 505 781 00	Bracket for trim Sensor		1	PR:625
18	5Q0 919 275 B	'Keyless Entry (KESSEY)' Sensor	inner	2	PR:636,638
	5Q0 919 275 B G2X	Parking aid primed			
19	5Q0 919 275 C	Sensor	outer	2	PR:636,638
	5Q0 919 275 C G2X	Parking aid primed			
20	5Q0 919 133	seal ring		4	PR:636,638
	5Q0 919 133 9B9	Sensor			
21	991 505 525 05	Satin black Spoiler		1	
	991 505 525 05 G2X	Trim primed			
22	991 505 761 03	Retaining plate	left	1	PR:288
		headlight washer system			
		also use:	000 043 300 47		
(22)	991 505 762 03	Retaining plate	right	1	PR:288
		headlight washer system			
		also use:	000 043 300 47		
23	000 043 300 47	Adhesive set adhesive		1	
		with:			
		5-fold emulsion tube			
		Bracket			
		headlight washer system			
		use if required:			
24	000 043 300 48	Tool set for adhesive		1	
25	999 919 246 01	fillister hd. bolt		X	
		6,0X18,0-Q			
26	999 073 227 09	panel screw		X	
		ST 4,8X19-C			
27	999 507 309 02	panel nut		X	
		ST 4,8			
28	999 507 696 00	U-clip		X	
		1,20-1,70			
29	991 575 141 05	Air guide	center	1	PR:153,-456
	991 575 141 05 OK1	Matt black			
30	991 575 141 06	Air guide	center	1	PR:153,456
	991 575 141 06 OK1	Matt black			
31	991 701 051 21	Assembly kit	ECE	1	PR:211,-075
		Licence plate holder			
	991 701 051 21 OK1	Matt black			
(32)	991 701 051 23	Assembly kit	Japan	1	PR:209,-456
		Licence plate holder			
	991 701 051 23 OK1	Matt black			
(32)	991 701 051 26	Assembly kit	Japan ACC	1	PR:209,456
		Licence plate holder			
	991 701 051 26 OK1	Matt black			
33	991 701 051 25	Assembly kit	RDW	1	PR:210
		Licence plate holder			

Model: 991T13

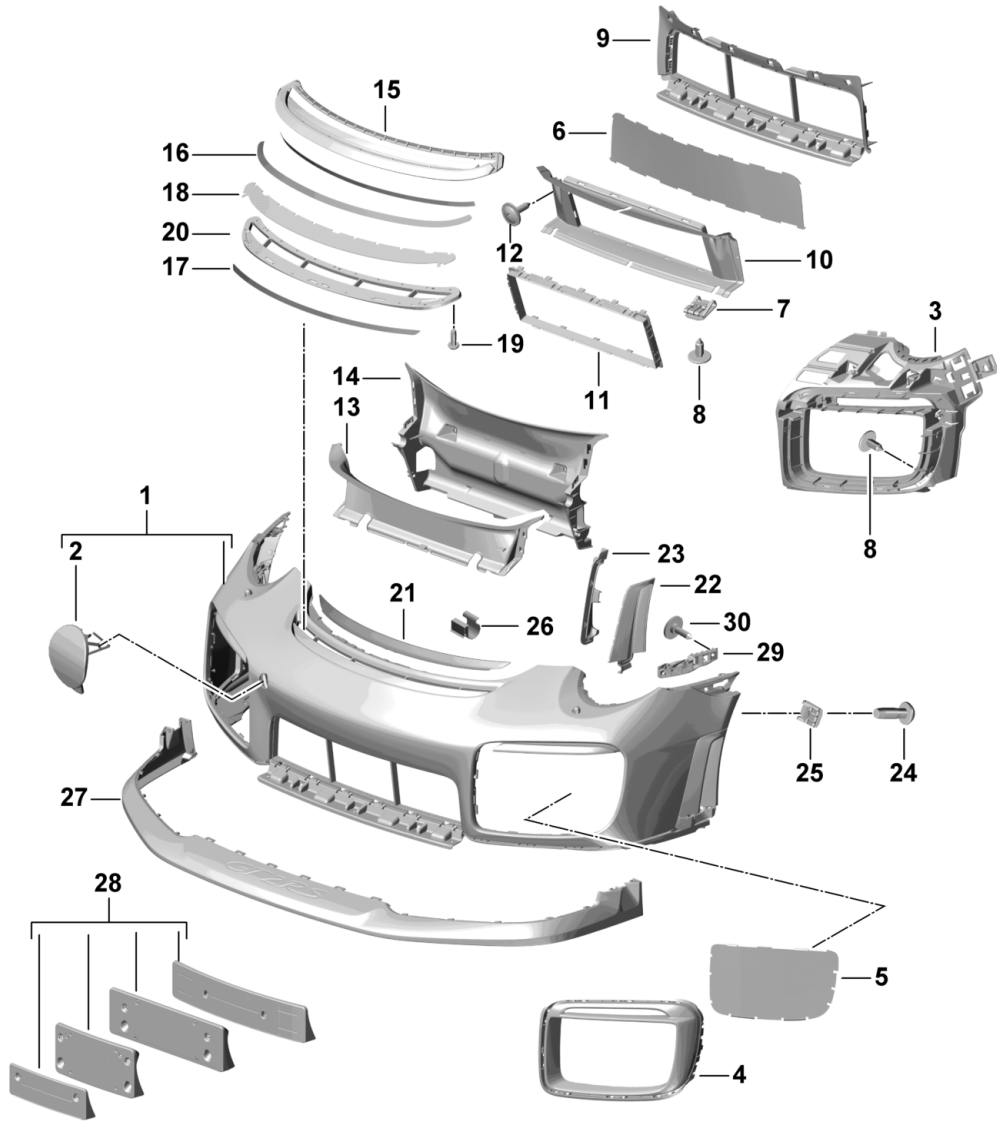
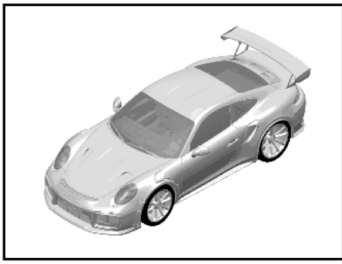
Model life 2014>>

Pos	Part Number	Description	Remark	Qty	Model
34	991 701 051 25 OK1 991 701 051 27 991 701 051 27 OK1	Matt black Assembly kit Licence plate holder Matt black	China	1	PR:075,211



Model: 991T13

Model life 2014>>



Model: 991T13 Model life 2014>>

Pos	Part Number	Description	Remark	Qty	Model
1	991 505 313 84	bumper Front body GT2 RS Trim primed	front	1	
2	991 505 703 86	cover for towing eye primed		1	
3	991 505 565 84	Retaining frame	Side,	1	
	991 505 565 84 OK1	Matt black			
(3)	991 505 566 84	Retaining frame	Side,	1	
	991 505 566 84 OK1	Matt black			
4	991 505 563 85	Retaining frame	side	1	
	991 505 563 85 OK1	Matt black			
(4)	991 505 564 85	Retaining frame	side	1	
	991 505 564 85 OK1	Matt black			
5	991 505 713 84	Ventilation grille	left	1	
(5)	991 505 714 84	Ventilation grille	right	1	
6	991 505 711 84	Ventilation grille	center	1	
7	999 507 696 00	U-clip	1,20-1,70	1	
8	N 911 368 01	Hexagon socket head panel bolt	4,2X11	X	
9	991 505 569 84	Retaining frame	centre/rear	1	
	991 505 569 84 OK1	Matt black			
10	991 575 141 84	Air guide	center	1	
	991 575 141 84 1E0	Matt black			
11	991 106 338 01	Sealing frame	center	1	
		Charge air cooler			
12	9A7 007 517 00	panel screw	ST4,8X19-C	1	
13	991 504 489 90	Air guide		1	
		Charge air cooler			
	991 504 489 90 1E0	Black			
14	991 504 487 91	Frame for coolant radiator		1	
	991 504 487 91 1E0	Black			
		also use:	991 504 587 90 999 919 133 09		
15	991 505 659 84	Retaining frame	front	1	
	991 505 659 84 OK1	Matt black			
16	991 505 559 84	Adhesive film		1	
		Retaining frame			
17	991 505 581 84	Adhesive film		1	
		Trim			
18	991 505 717 84	Ventilation grille		1	
19	N 104 159 03	Oval hexagon socket head bolt	4X12	1	
		fillister hd. bolt			
20	991 505 567 84	Retaining frame	upper	1	
	991 505 567 84 OK1	Matt black			
21	991 505 571 84	Trim for air inlet		1	
	991 505 571 84 A3G	Carbon Gloss Black			
22	991 505 715 84	Grille	side	1	
			left		
(22)	991 505 716 84	Grille	side	1	
			right		
23	991 505 623 84	Air guide	side	1	
			left		
	991 505 623 84 OK1	Matt black			
(23)	991 505 624 84	Air guide	side	1	
			right		
	991 505 624 84 OK1	Matt black			
24	999 919 246 01	fillister hd. bolt	6,0X18,0-Q	X	
25	999 507 309 02	panel nut	ST4,8	X	
26	999 507 745 09	Cable fastener		X	
27	991 505 325 85	Front spoiler	front	1	
		With lettering:			
		GT2 RS			

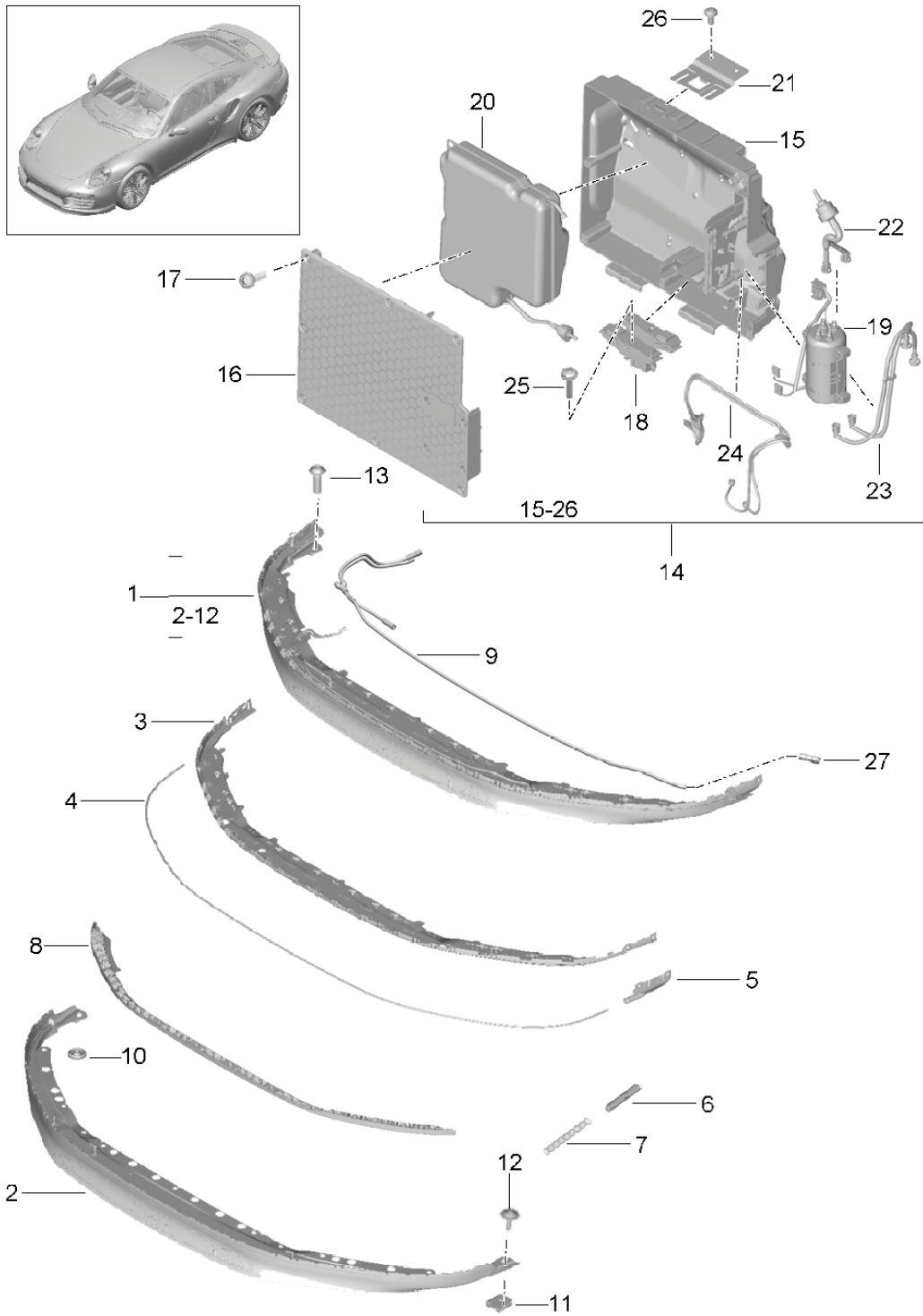
Model: 991T13

Model life 2014>>

Pos	Part Number	Description	Remark	Qty	Model
28	991 701 051 85	Assembly kit Licence plate holder	front	1	PR-211
	991 701 051 85 OK1	Matt black			
(28)	991 701 051 86	Assembly kit Licence plate holder	front	1	PR-218
	991 701 051 86 OK1	Matt black			
(28)	991 701 051 87	Assembly kit Licence plate holder	front	1	PR-209
	991 701 051 87 OK1	Matt black			
(28)	991 701 051 88	Assembly kit Licence plate holder	front	1	PR-210
	991 701 051 88 OK1	Matt black			
(28)	991 701 051 89	Assembly kit Licence plate holder	front	1	PR-214
	991 701 051 89 OK1	Matt black			
29	991 505 535 01	retaining strip	side front left	1	
(29)	991 505 536 01	retaining strip	side front right	1	
30	999 073 227 09	panel screw	ST4,8X19	X	

Model: 991T13

Model life 2014>>



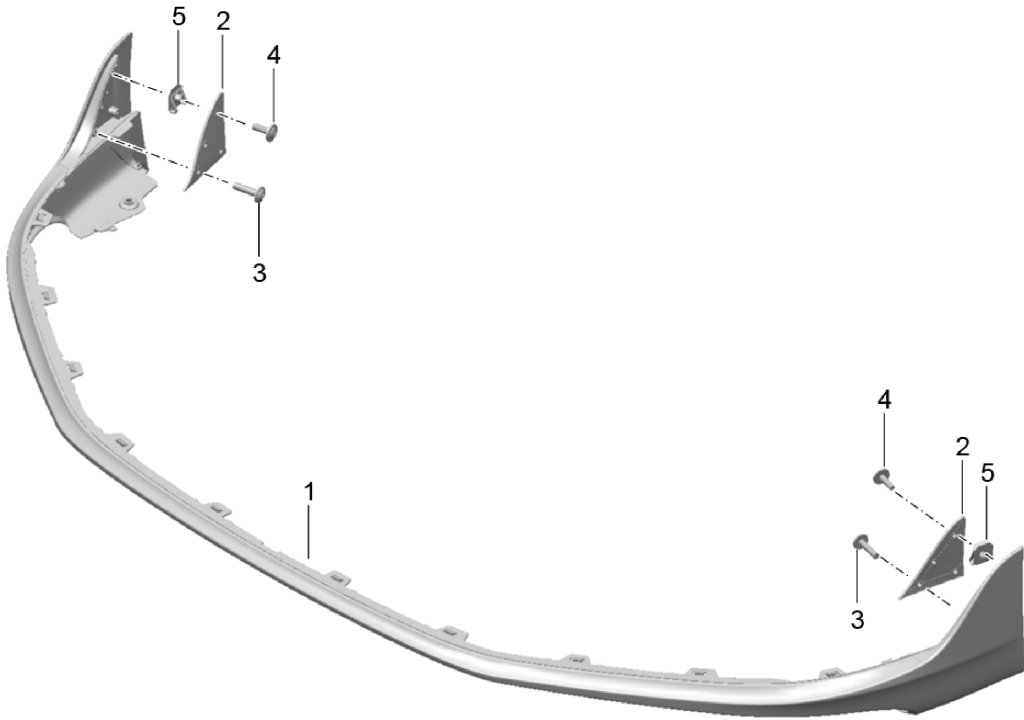
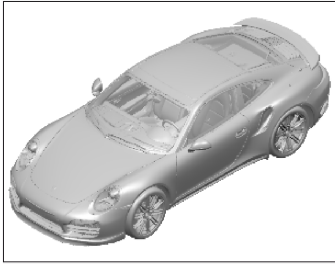
Model: 991T13

Model life 2014>>

Pos	Part Number	Description	Remark	Qty	Model
1	991 505 357 04	Front spoiler Spoiler (complete) Turbo		1	PR:-092
(1)	991 505 357 04 1E0 991 505 357 05	Black Spoiler (complete) Turbo S		1	PR:092
2	991 505 357 05 1E0 991 505 557 09	Black Spoiler lip		1	PR:-092
(2)	991 505 557 09 1E0 991 505 557 10	Black Spoiler lip		1	PR:092
3	991 505 557 10 1E0 991 505 591 00	Black Adapter plate		1	
4	991 505 799 00	guide rod		1	
5	991 505 593 00	guide sleeve	left	1	
(5)	991 505 594 00	guide sleeve	right	1	
6	991 505 795 00	Sliding bush		1	
7	991 505 793 00	Pressure spring guide rod		1	
8	991 505 595 00	Securing strip		1	
9	991 505 597 00	air hose		1	
10	991 505 599 00	Grommet		3	
11	999 507 795 09	panel nut ST 4,8		11	
12	999 073 227 09	panel screw ST4,8X19		11	
13	999 919 246 01	fillister hd. bolt 6,0X18,0-Q		7	
14	991 358 191 02	Control mechanism Front spoiler		1	
15	991 358 291 00	housing		1	
16	991 358 293 00	Housing cover		1	
17	999 919 261 01	fillister hd. bolt 5,0X20,0-Q		7	
18	991 358 271 00	Valve		1	
19	991 358 181 00	Pump Driving mechanism Spoiler		1	
20	991 358 261 00	Pressure accumulator		1	
21	991 358 251 00	Bracket	upper	1	
22	991 358 265 00	Line Compressor		1	
23	991 358 185 00	Line Compressor Valves		1	
24	991 358 268 00	Line Valves		1	
25	999 919 167 09	Front spoiler fillister hd. bolt 3,0X10,0-Q		4	
26	999 073 189 01	flat round head bolt M6X12		2	
27	991 505 707 00	Hose connector		1	
-		Control unit see illustration:	901-003	1	

Model: 991T13

Model life 2014>>



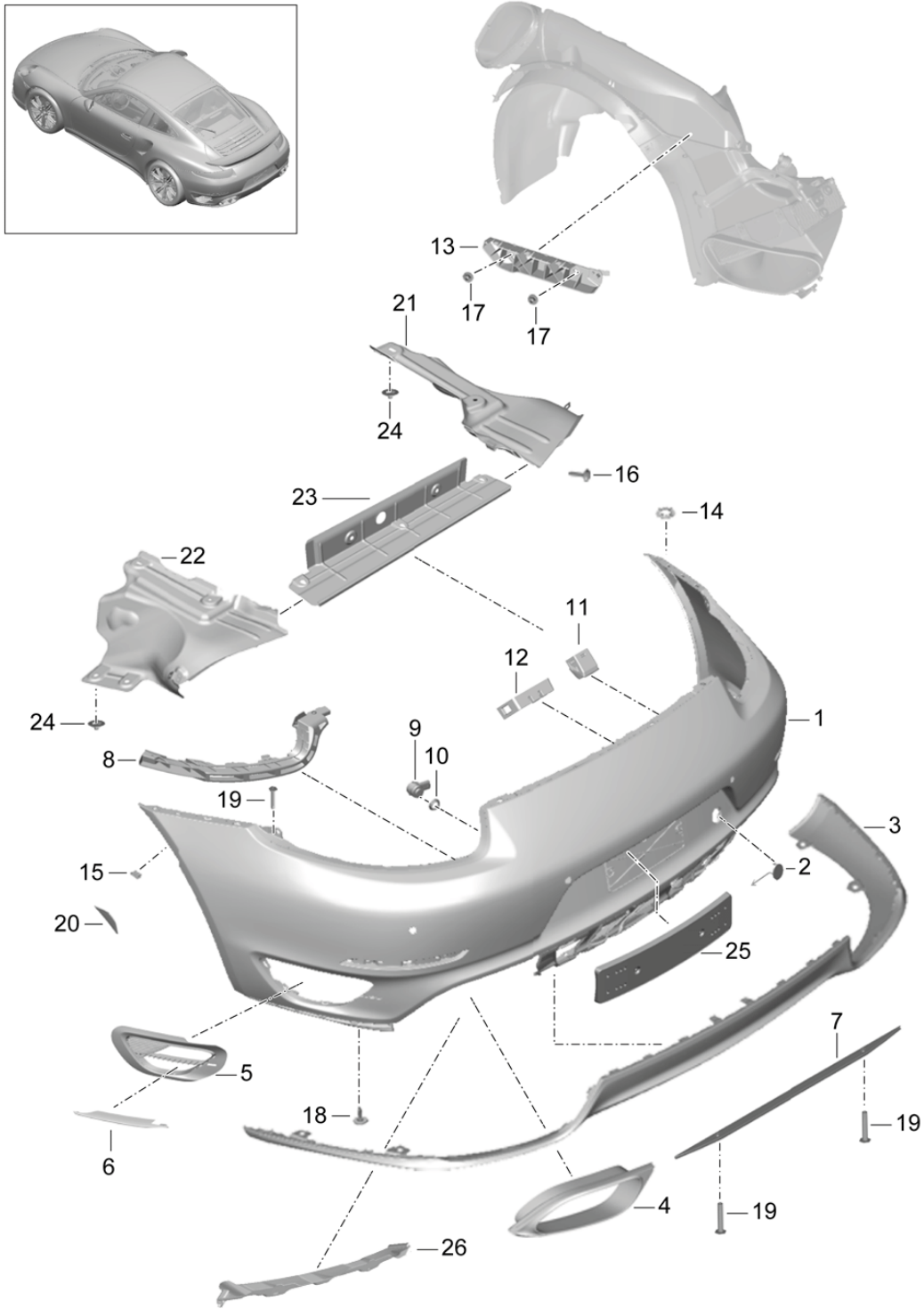
Model: 991T13

Model life 2014>>

Pos	Part Number	Description	Remark	Qty	Model
1	991 505 984 00	Front spoiler Aerokit Spoiler Trim D >> - MJ 2016		1	PR: XAF, XAV
1	991 505 984 00 G2X 991 505 984 01	primed Spoiler Trim D - MJ 2017>>		1	
2	991 505 984 01 G2X 991 505 987 00	primed Contact plate D >> - MJ 2016	left	1	
(2)	991 505 987 01	Contact plate D - MJ 2017>>	left	1	PR: XAF, XAV
(2)	991 505 988 00	Contact plate D >> - MJ 2016	right	1	
(2)	991 505 988 01	Contact plate D - MJ 2017>>	right	1	PR: XAF, XAV
3	999 919 099 01	fillister hd. bolt M5,0X20,0-Q		6	
4	999 073 255 09	Bolt with washer M5X14		2	
5	999 507 556 03	panel nut M 5		2	

Model: 991T13

Model life 2014>>





Model: 991T13

Model life 2014>>

Pos	Part Number	Description	Remark	Qty	Model
1	991 505 921 00	bumper D >> - MJ 2016 Trim primed	rear	1	PR:635,636
(1)	991 505 921 02	Trim primed also use:	991 505 803 01 (G2X)	1	PR:635,636,638
2	991 505 803 01	Cover cap Tow hitch		1	
3	991 505 803 01 G2X 991 505 811 01	Trim primed	rear lower	1	PR:-XAF,-XAV
(3)	991 505 811 01 1E0 991 505 975 00	Black Trim	rear lower	1	PR:XAF,XAV
4	991 505 975 00 G2X 991 505 651 01	Trim primed Trim for exhaust tail pipe Tailpipe	left	1	
(4)	991 505 651 01 1E0 991 505 652 01	Black Trim for exhaust tail pipe Tailpipe	right	1	
5	991 505 652 01 1E0 991 505 665 00	Black Frame	left	1	
(5)	991 505 665 00 1E0 991 505 666 00	Black Frame Air exhaust	right	1	
6	991 505 666 00 1E0 991 505 863 00	Black Disc Air inlet	left	1	
(6)	991 505 863 00 1E0 991 505 864 00	Black Disc Air inlet	right	1	
7	991 505 864 00 1E0	Black			
8	991 505 837 00	retaining rail	lower	1	
(8)	991 505 835 02	retaining strip	left rear	1	
9	5Q0 919 275	Sensor Parking aid	rear right rear	4	PR:636,638
10	5Q0 919 275 G2X 5Q0 919 133	primed seal ring Sensor Parking aid		4	
11	991 505 899 00	Bracket Camera		1	
12	991 505 899 00 1E0 991 505 901 00	Black arm Camera		1	
13	991 505 635 00	retaining rail	left side	1	
(13)	991 505 636 00	retaining rail	right side	1	
14	999 507 181 01	Reinforcement Insert		8	
15	999 507 795 09	10,6X12,6 panel nut		X	
16	999 073 505 01	ST 4,8 panel screw		2	

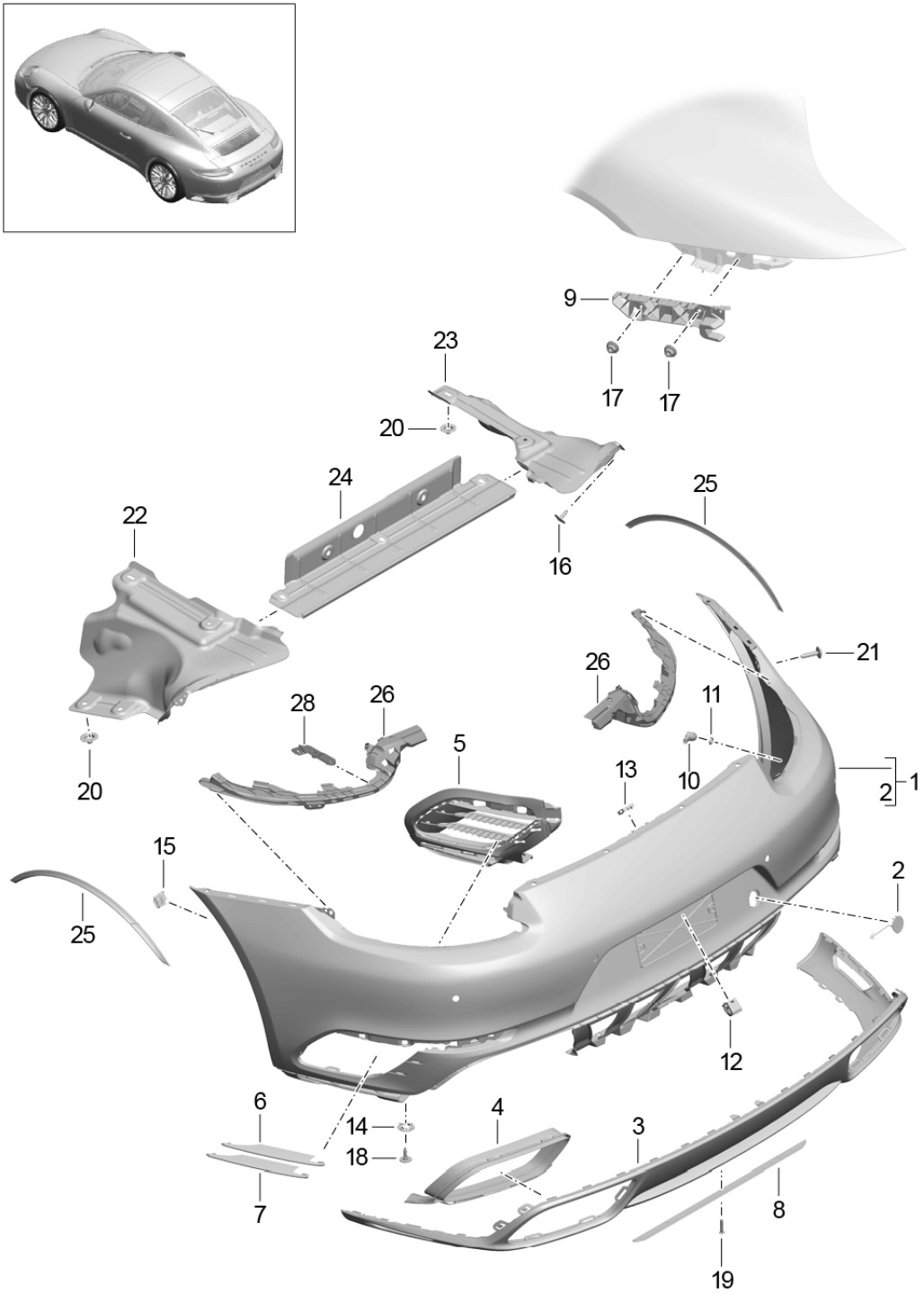
Model: 991T13

Model life 2014>>

Pos	Part Number	Description	Remark	Qty	Model
17	999 076 042 01	ST4,8X16 Hexagon nut		4	
18	999 073 227 09	M 6 panel screw		X	
19	999 190 191 30	ST 4,8X19 Pop rivet		3	
20	991 505 461 00	A 3,2X17,0 Cover		1	Japan
		Set			PR:193
	991 505 461 00 1E0	Black			
21	991 505 479 01	Heat insulation	left	1	
22	991 505 480 01	Heat insulation	outer	1	
23	991 505 471 00	Heat insulation	right	1	
24	999 049 039 01	Hexagon nut	outer	1	
(25)		T6 Assembly kit	center	X	
		Number plate	upper	1	
26	991 505 481 00	see illustration: Heat insulation	802-000 left	1	
(26)	991 505 482 00	Heat insulation	lower	1	
			right		
			lower		

Model: 991T13

Model life 2014>>



Model: 991T13

Model life 2014>>

Pos	Part Number	Description	Remark	Qty	Model
		bumper 2nd GENERATION D - MJ 2017>>	rear		
1	991 505 923 00	Bumper cover primed		1	PR:636
(1)	991 505 923 01	Bumper cover primed		1	PR:638
2	991 505 803 03	Cover cap Tow hitch		1	
	991 505 803 03 G2X	primed			
3	991 505 811 03	Trim	rear lower	1	PR:-XAF, -XAV,-XUE
	991 505 811 03 OK1	Matt black			
(3)	991 505 975 01	Trim	rear lower	1	PR:XAF,XAV, XUE
	991 505 975 01 G2X	primed			
(3)	991 505 994 00	Trim	rear lower	1	PR:028
	991 505 994 00 A3G	Carbon Gloss Black			
4	991 505 651 03	Trim for exhaust tail pipe Tailpipe	left	1	
	991 505 651 03 OK1	Matt black			
4	991 505 955 00	Trim for exhaust tail pipe	left	1	PR:028
	991 505 955 00 OK1	Matt black			
(4)	991 505 652 03	Trim for exhaust tail pipe Tailpipe	right	1	
	991 505 652 03 OK1	Matt black			
(4)	991 505 956 00	Trim for exhaust tail pipe	right	1	PR:028
	991 505 956 00 OK1	Matt black			
(5)	991 505 665 03	Frame LUFTAUSLASS	left	1	
	991 505 665 03 OK1	Matt black			
(5)	991 505 665 04	Frame LUFTAUSLASS	left	1	PR:028
	991 505 665 04 041	Black			
(5)	991 505 666 03	Frame LUFTAUSLASS	right	1	
	991 505 666 03 OK1	Matt black			
(5)	991 505 666 04	Frame LUFTAUSLASS	right	1	PR:028
	991 505 666 04 041	Black			
6	991 505 863 02	Disc LUFTAUSLASS	left upper	1	
	991 505 863 02 OK1	Matt black			
(6)	991 505 863 03	Disc LUFTAUSLASS	left upper	1	PR:028
	991 505 863 03 041	Black			
(6)	991 505 864 02	Disc LUFTAUSLASS	right upper	1	
	991 505 864 02 OK1	Matt black			
(6)	991 505 864 03	Disc LUFTAUSLASS	right upper	1	PR:028
	991 505 864 03 041	Black			
7	991 505 865 00	Disc LUFTAUSLASS	left lower	1	
	991 505 865 00 OK1	Matt black			
(7)	991 505 865 01	Disc LUFTAUSLASS	left lower	1	PR:028
	991 505 865 01 041	Black			
(7)	991 505 866 00	Disc LUFTAUSLASS	right lower	1	
	991 505 866 00 OK1	Matt black			
(7)	991 505 866 01	Disc	right lower	1	PR:028

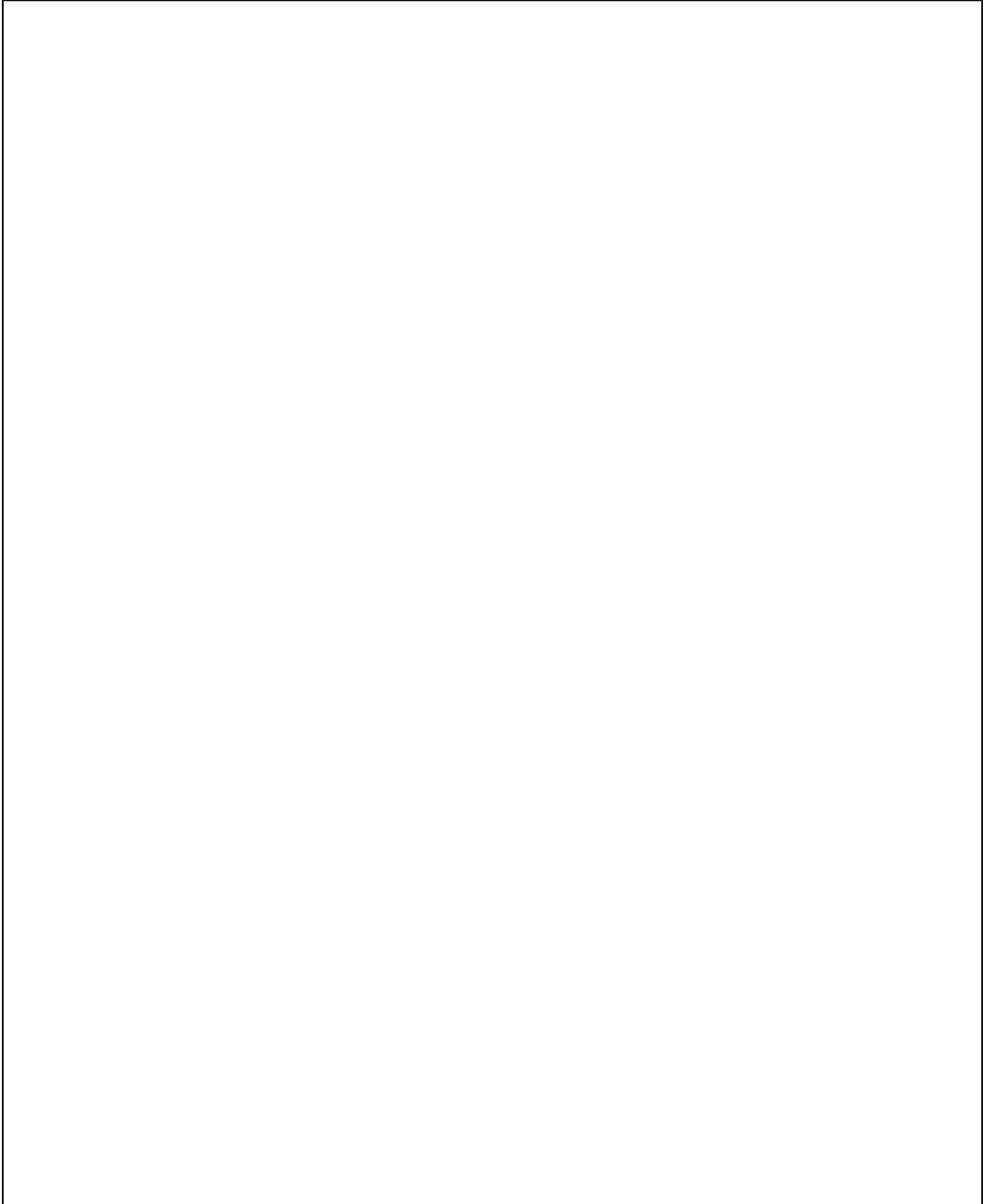
Model: 991T13

Model life 2014>>

Pos	Part Number	Description	Remark	Qty	Model
		LUFTAUSLASS			
	991 505 866 01 041	Black			
8	991 505 837 01	retaining rail	lower	1	
9	991 505 635 01	retaining rail	left side	1	
(9)	991 505 636 01	retaining rail	right side	1	
10	5Q0 919 275 B	Sensor Parking aid		4	PR:636,638
	5Q0 919 275 B G2X	primed			
11	5Q0 919 133	seal ring		4	
	5Q0 919 133 9B9	Sensor Satin black			
12	991 505 899 01	Bracket Camera		1	
	991 505 899 01 OK1	Matt black			
13	991 505 901 01	arm Camera		1	
14	999 507 181 01	Reinforcement		6	
		Insert			
15	999 507 309 02	panel nut		X	
		ST 4,8			
16	999 073 505 01	panel screw		2	
		ST4,8X16			
17	999 076 042 01	Hexagon nut		4	
		M 6			
18	999 073 227 09	panel screw		X	
		ST 4,8X19			
19	999 190 191 30	Pop rivet		5	
		A 3,2X17,0			
20	999 049 039 01	Hexagon nut		X	
		T6			
21	999 073 131 02	fillister hd. bolt		2	
		M6X25-SC			
22	991 505 479 02	Heat insulation	left	1	
			outer		
23	991 505 480 02	Heat insulation	right	1	
			outer		
24	991 505 471 01	Heat insulation	center	1	
			upper		
25	991 505 629 00	Set Cover	rear	1	Japan
		primed			
26	991 505 835 07	retaining strip	left	1	
			rear		
26	991 505 836 07	retaining strip	right	1	
			rear		
28	9P1 937 540	Bracket Wire set		1	

Model: 991T13

Model life 2014>>



Model: 991T13 Model life 2014>>

Pos	Part Number	Description	Remark	Qty	Model
1	991 505 291 70	bumper Trim GT2 RS bumper Trim primed	rear  rear	1	
2	991 505 515 81	also use: Cover cap Reversing camera primed	991 505 515 81	1 1	
3	991 505 803 70	cover for towing eye	rear	1	
4	991 505 839 70	991 505 803 70 OK1 Matt black retaining strip	center	1	
5	991 505 835 70	retaining strip	rear left	1	
(5)	991 505 836 70	retaining strip	rear right	1	
6	999 507 181 01	Reinforcement Insert	10,6X12,6	1	
7	999 507 696 00	U-clip	1,20-1,70	1	
9	999 513 068 40	Cable ties		X	
10	991 505 511 70	Trim	rear lower	1	
(10)	991 505 511 70 OK1 991 505 511 71	Matt black Trim	rear lower	1	PR-553
11	991 505 511 71 OK1 991 505 667 70	Matt black Retaining frame	center	1	
12	991 505 667 70 OK1	Matt black		1	
13	991 505 819 70	Grille		1	
14	991 505 837 70	retaining rail	lower	1	
15	N 910 423 02	Oval hexagon socket head bolt	M6X16	X	
16	999 190 191 30	Oval-head screw Pop rivet	A3,2X17,0	X	
17	918 504 597 00	panel nut		X	
17	991 505 665 70	Retaining frame	side right	1	
(17)	991 505 665 70 OK1 991 505 666 70	Matt black Retaining frame	side right	1	
18	991 505 666 70 OK1	Matt black		1	
(18)	991 505 817 70 991 505 818 70	Grille Grille	left right	1 1	
19	991 505 513 70	Trim	rear side	1	
(19)	991 505 513 70 OK1 991 505 514 70	Matt black Trim	rear side	1	
20	991 505 514 70 OK1	Matt black		1	
(20)	991 505 501 70 991 505 502 70	Adhesive film Adhesive film	left right	1 1	
21	991 631 497 80	rear light reflector	left	1	
(21)	991 631 498 80	rear light reflector	right	1	
22	991 505 651 70	Trim for exhaust tail pipe	left	1	
(22)	991 505 651 70 OK1 991 505 652 70	Matt black Panel for exhaust pipe	right	1	
23	991 505 652 70 OK1	Matt black		1	
(23)	991 505 479 70 991 505 480 70	Heat insulation Heat insulation	side left side right	1 1 1 1	
24	999 049 039 01	Hexagon nut	T6	X	
25	991 504 253 82	Console	left	1	

Model: 991T13

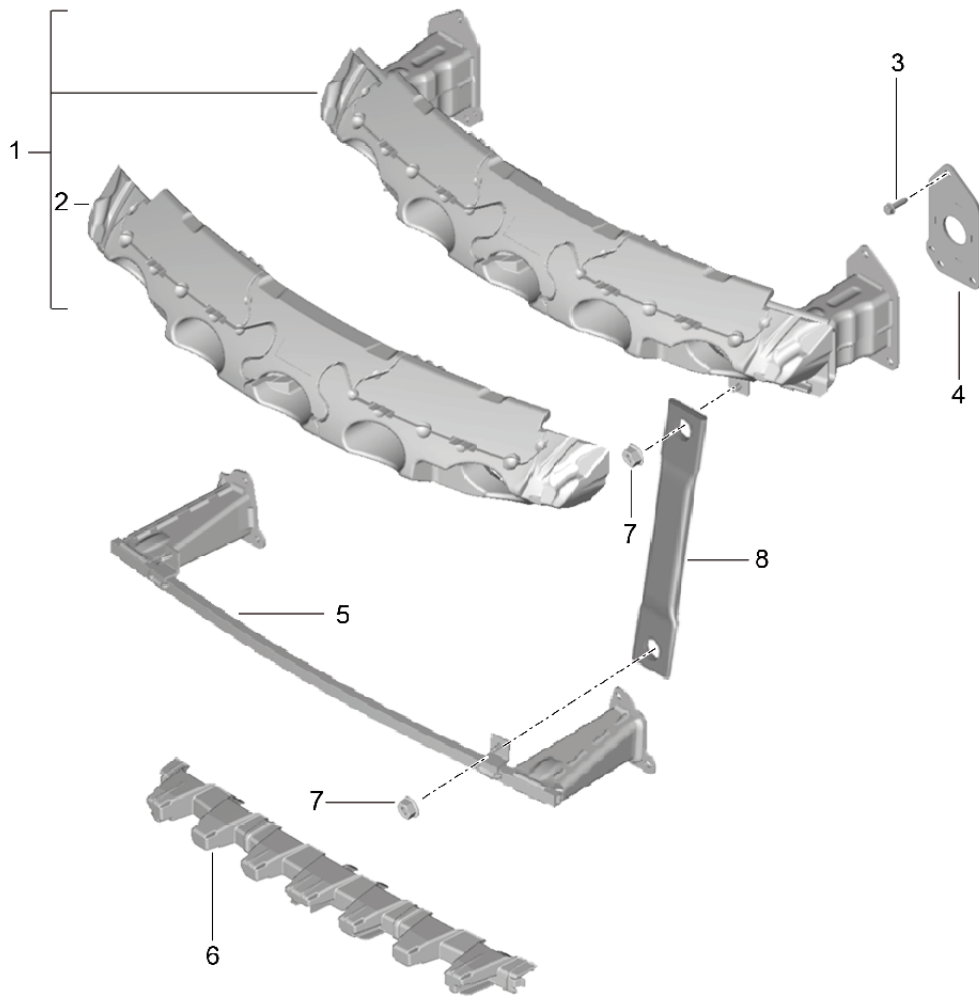
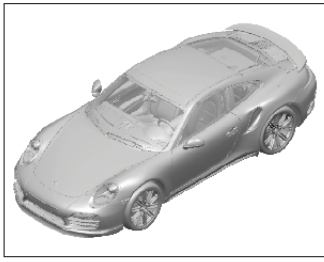
Model life 2014>>

Pos	Part Number	Description	Remark	Qty	Model
(25)	991 504 254 82	Charge air cooler Console	right	1	
26	999 073 131 02	Charge air cooler fillister hd. bolt	M6X25	X	
27	999 073 227 09	panel screw	ST4,8X19	X	
28	999 507 181 01	Reinforcement Insert	10,6X12,6	X	
29	999 073 297 A1	fillister hd. bolt		X	
30	991 504 849 00	Grommet		X	
31	900 116 015 09	Retaining washer	10	X	
32	999 015 025 A2	Oval-head screw	M6X12	X	



Model: 991T13

Model life 2014>>

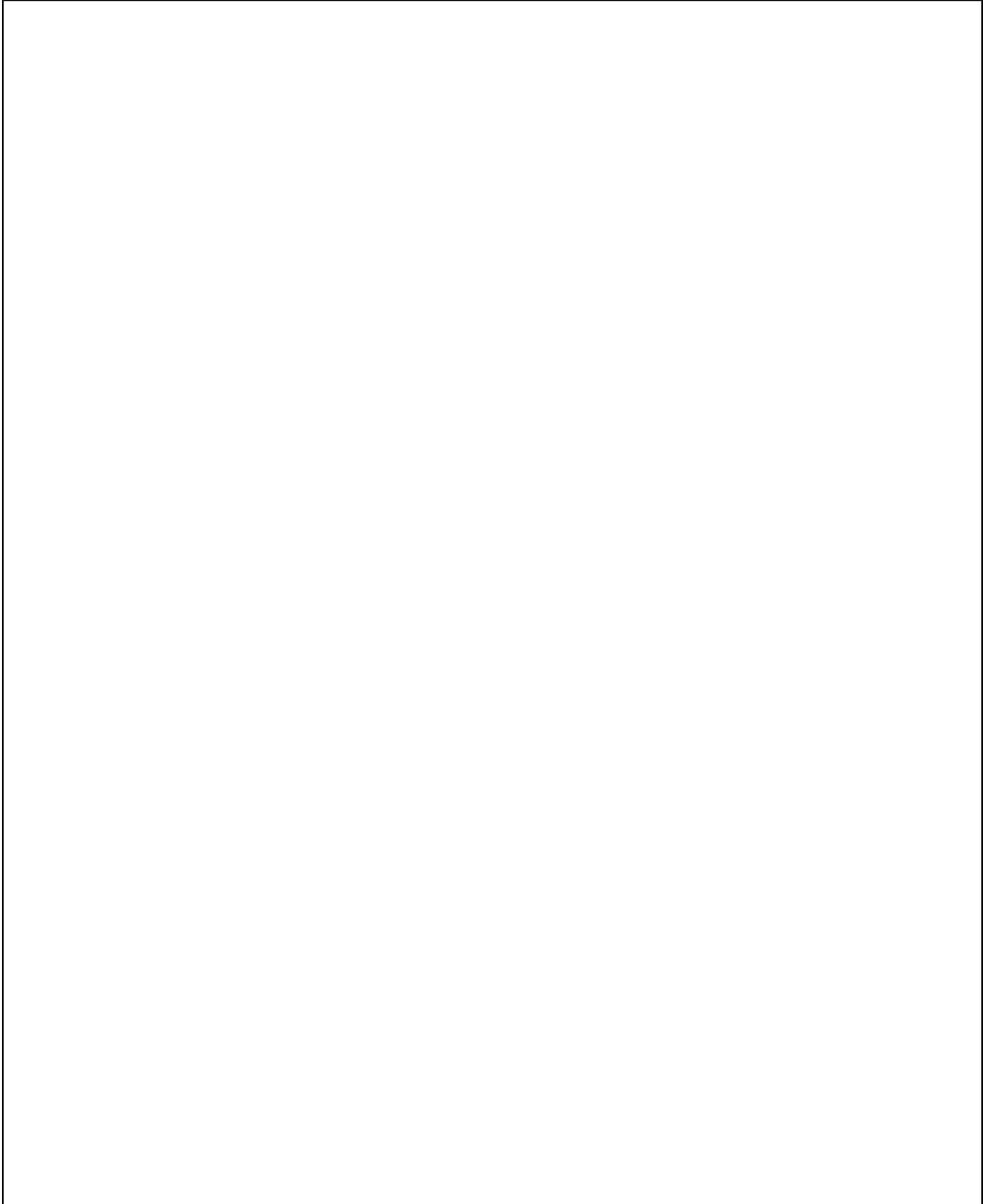


Model: 991T13 Model life 2014>>

Pos	Part Number	Description	Remark	Qty	Model
1	991 505 121 02	Bumper carrier Bumper carrier (complete)  with: Foam part D >> - MJ 2016	front front	1	PR:070
1	991 505 121 05	Bumper carrier (complete)  with: Foam part D - MJ 2017>>	front	1	PR:070
(1)	991 505 121 03	Bumper carrier (complete)  with: Foam part D >> - MJ 2016	front	1	PR:-070
(1)	991 505 121 06	Bumper carrier (complete)  with: Foam part D - MJ 2017>>	front	1	PR:-070
2	991 505 777 02	Foam part Protective strip D >> - MJ 2016		1	
2	991 505 777 04	Foam part Protective strip D - MJ 2017>>		1	
3	900 378 351 01	Hexagon bolt M 8 X 30		6	
4	991 505 771 00	Seal Shock absorber		2	
5	991 505 531 01	Carrier protective clip Discontinued part	front	1	PR:070
(5)	991 505 531 03	Carrier protective clip Discontinued part	front	1	PR:-070
6	991 505 787 00	Insert Pedestrian protection D >> - MJ 2016		1	
(6)	991 505 787 02	Insert Pedestrian protection D - MJ 2017>>		1	
7	N 106 092 04	Hexagon collar nut M8		10	PR:070
8	991 505 321 00	connecting rod		2	PR:070

Model: 991T13

Model life 2014>>



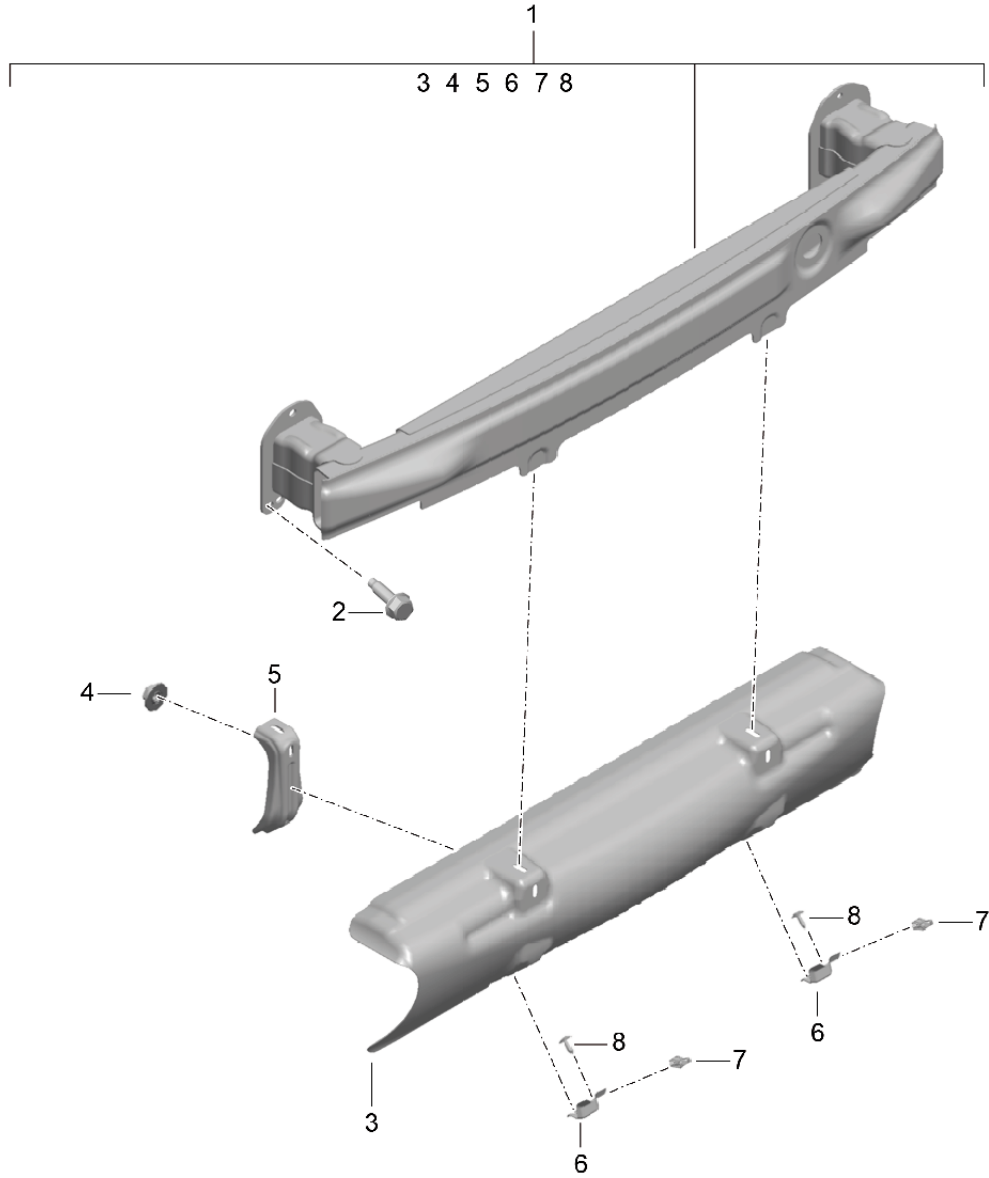
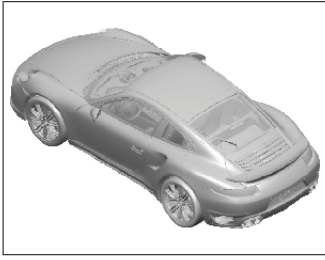
Model: 991T13

Model life 2014>>

Pos	Part Number	Description	Remark	Qty	Model
		Bumper carrier			
		Front body			
		GT2 RS			
1	991 505 121 85	Bumper carrier	front	1	
2	991 505 777 85	Foam part	front	1	
3	N 106 092 04	Hexagon collar nut	M8	X	
		Hexagon nut			
4	900 378 351 01	Hexagon bolt	M8X30-PA	X	
5	991 505 771 00	Seal		1	
		Shock absorber			

Model: 991T13

Model life 2014>>



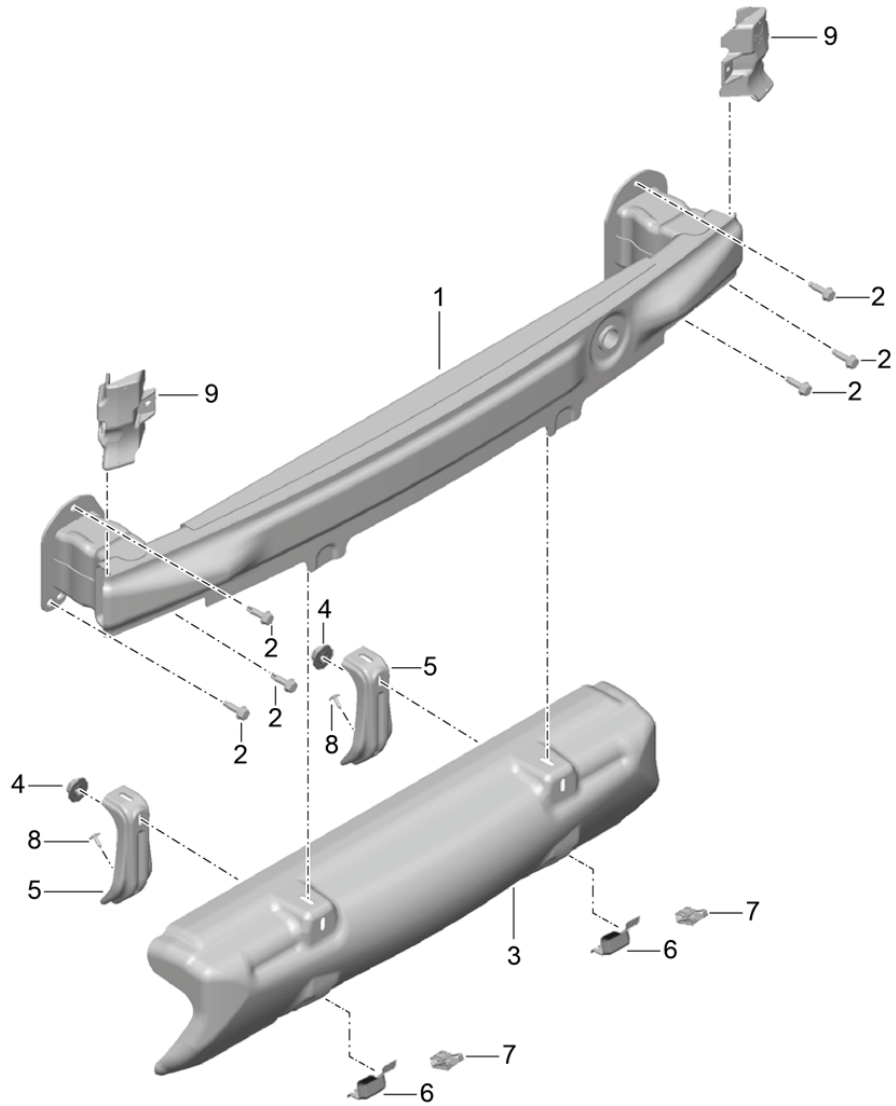
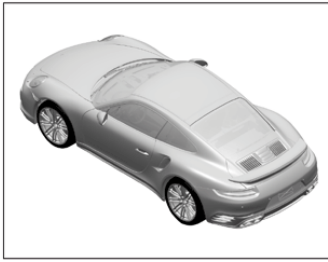
Model: 991T13

Model life 2014>>

Pos	Part Number	Description	Remark	Qty	Model
1	991 505 141 02	Bumper carrier D >> - MJ 2016 Bumper carrier with:	rear rear	1	
2	900 378 351 01	Heat protection Hexagon bolt M 8 X 30		6	
3	991 505 475 01	Heat insulation	center	1	
4	999 076 091 01	Hexagon nut M6-S		4	
5	991 505 639 01	Rear support		2	
6	996 505 649 01	angle		2	
7	999 507 795 09	panel nut ST 4,8		4	
8	999 073 418 01	panel screw 4,8X19		2	

Model: 991T13

Model life 2014>>



Model: 991T13

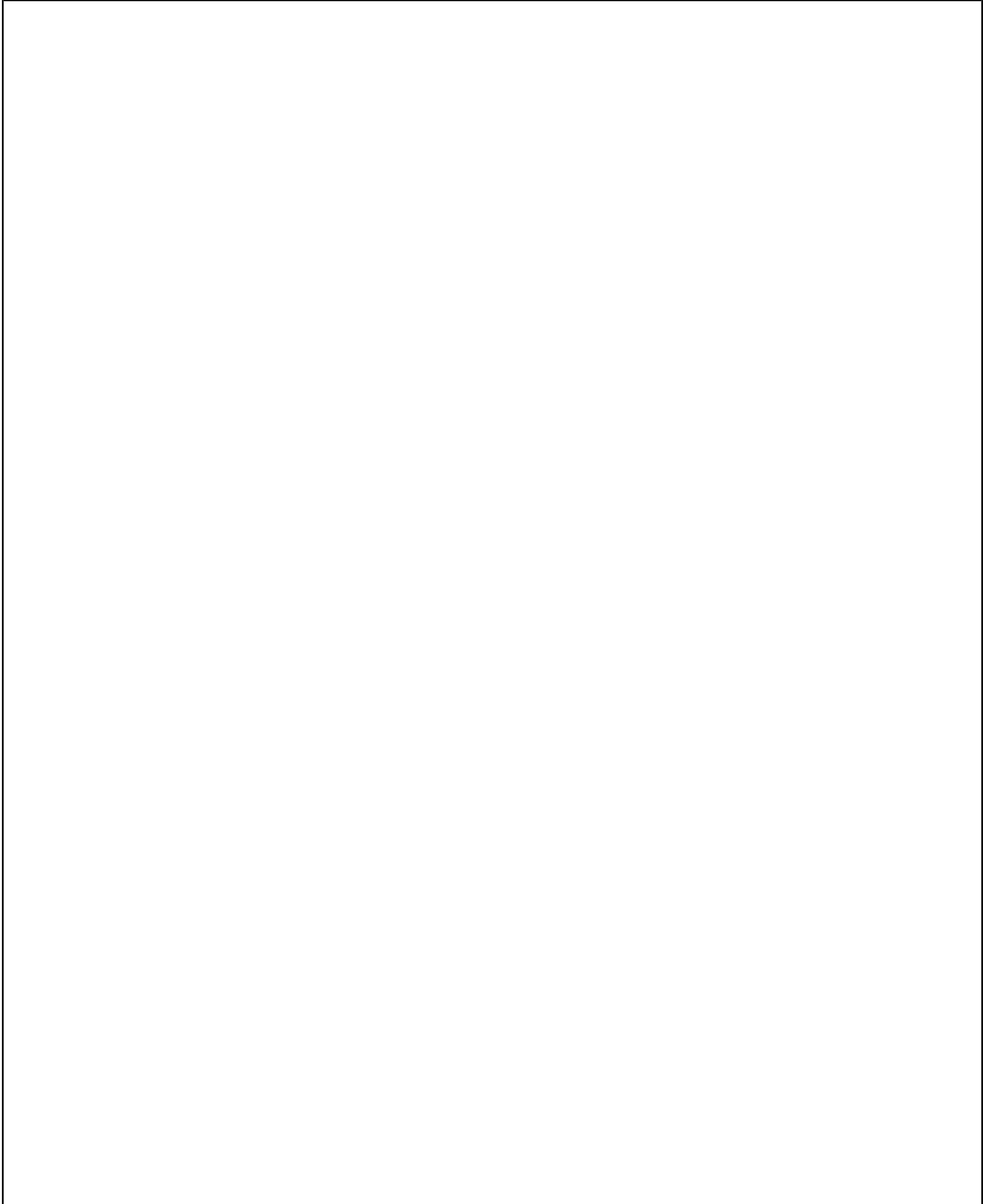
Model life 2014>>

Pos	Part Number	Description	Remark	Qty	Model
1	991 505 141 06	Bumper carrier 2nd GENERATION D - MJ 2017>> Bumper carrier	rear  rear	1	
		with:			
2	900 378 351 01	Heat protection Hexagon bolt M 8 X 30		6	
3	991 505 475 03	Heat insulation	center	1	
4	999 076 091 01	Hexagon nut M6-S		4	
5	991 505 639 01	Rear support		2	
6	996 505 649 01	angle		2	
7	999 507 795 09	panel nut ST 4,8		4	
8	999 073 418 01	panel screw 4,8X19		2	



Model: 991T13

Model life 2014>>



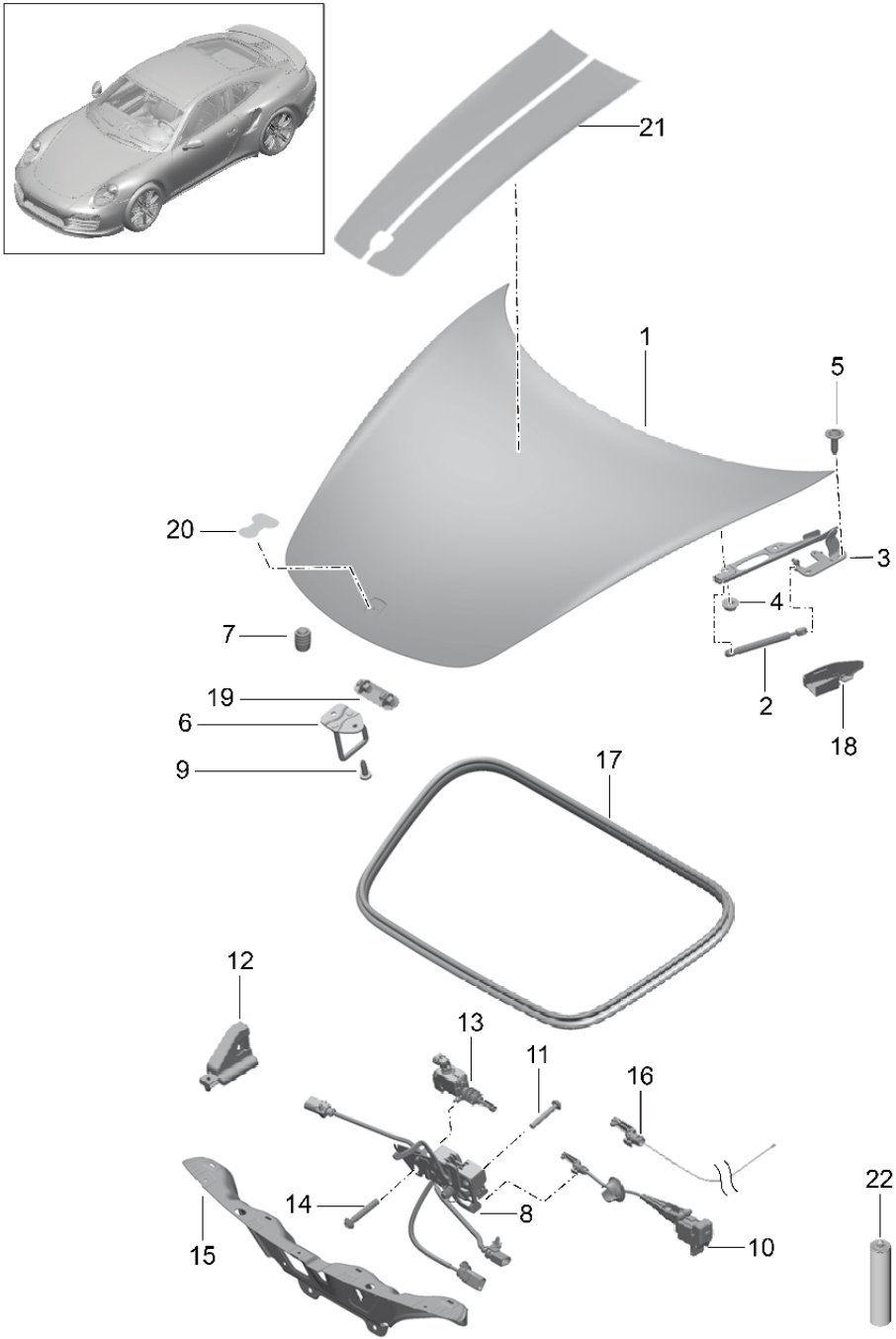
Model: 991T13

Model life 2014>>

Pos	Part Number	Description	Remark	Qty	Model
		Bumper carrier			
		Rear body			
		GT2 RS			
1	991 505 141 70	Bumper carrier	rear	1	
2	900 378 351 01	Hexagon bolt	M8X30-PA	X	
3	999 073 418 01	panel screw	ST4,8X19-C	1	
4	991 505 825 70	Support	left	1	
(4)	991 505 826 70	Support	right	1	
6	999 049 039 01	Hexagon nut	T6	X	
7	991 505 475 70	Heat insulation	center	1	
8	999 076 091 01	Hexagon nut		X	
10	991 505 649 70	Retaining plate	lower	1	
11	999 507 309 02	panel nut	ST4,8	X	
12	999 073 418 01	panel screw	ST4,8X19-C	X	
13	999 073 227 09	panel screw	ST4,8X19	X	

Model: 991T13

Model life 2014>>



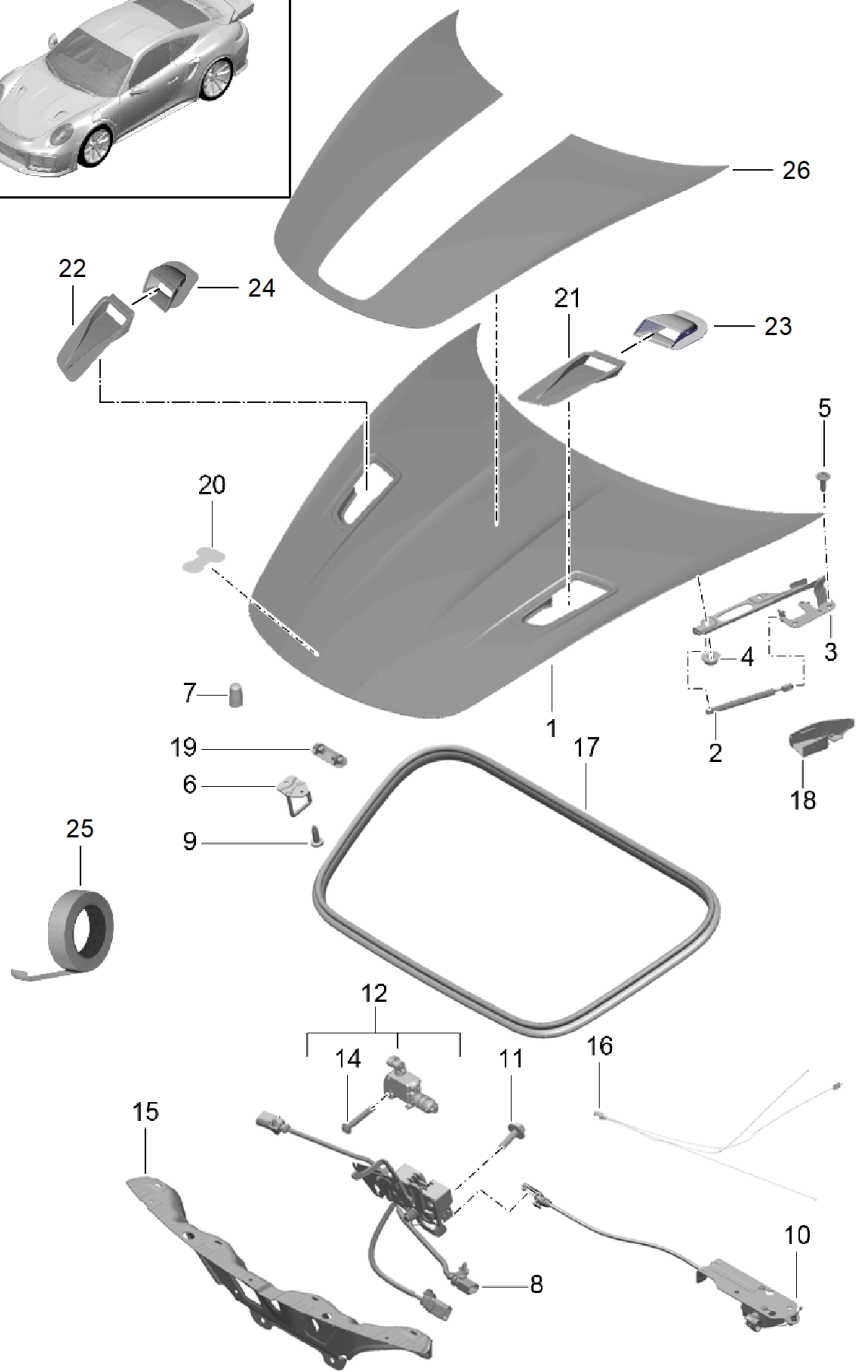
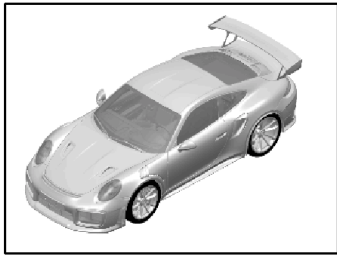
Model: 991T13

Model life 2014>>

Pos	Part Number	Description	Remark	Qty	Model
1	991 511 011 04	Cover	front	1	
	991 511 011 04 GRV	Cover primed			
(1)	991 511 905 02	Cover Carbon primed		1	PR:028
2	991 511 551 00	Gas filled strut		2	
2	991 511 551 01	Gas filled strut	front	1	PR:028
		Cover			
3	991 511 151 03	Hinge	left	1	
(3)	991 511 152 03	Hinge	right	1	
4	999 076 066 09	Hexagon nut M6		4	
5	N 911 883 02	Hexagon socket head bolt M6 X 20		4	
6	991 511 051 00	Lock upper part		1	
7	999 703 140 41	Rubber buffer		2	
8	991 511 033 04	Lock lower part		1	
9	999 073 378 02	flat round head bolt M6 X 20		2	
10	991 504 117 01	throttle control element		1	
11	999 919 717 01	fillister hd. bolt 5,0X27		2	
15	9P1 806 620	Bracket		1	
16	991 511 217 01	Cable Emergency operation		1	
17	991 511 611 03	Seal Cover		1	
18	991 511 651 01	Hose bracket	left	1	
	991 511 651 01 1E0	Black			
(18)	991 511 652 01	Hose bracket	right	1	
	991 511 652 01 1E0	Black			
19	991 511 649 00	Protective cap		1	
20	999 911 756 41	Adhesive film D - MJ 2015>>		1	
21	991 511 945 00	Paint template	front	1	PR:028
		Cover			
22	000 043 305 51	cavity preservative agent 400 ML		X	

Model: 991T13

Model life 2014>>



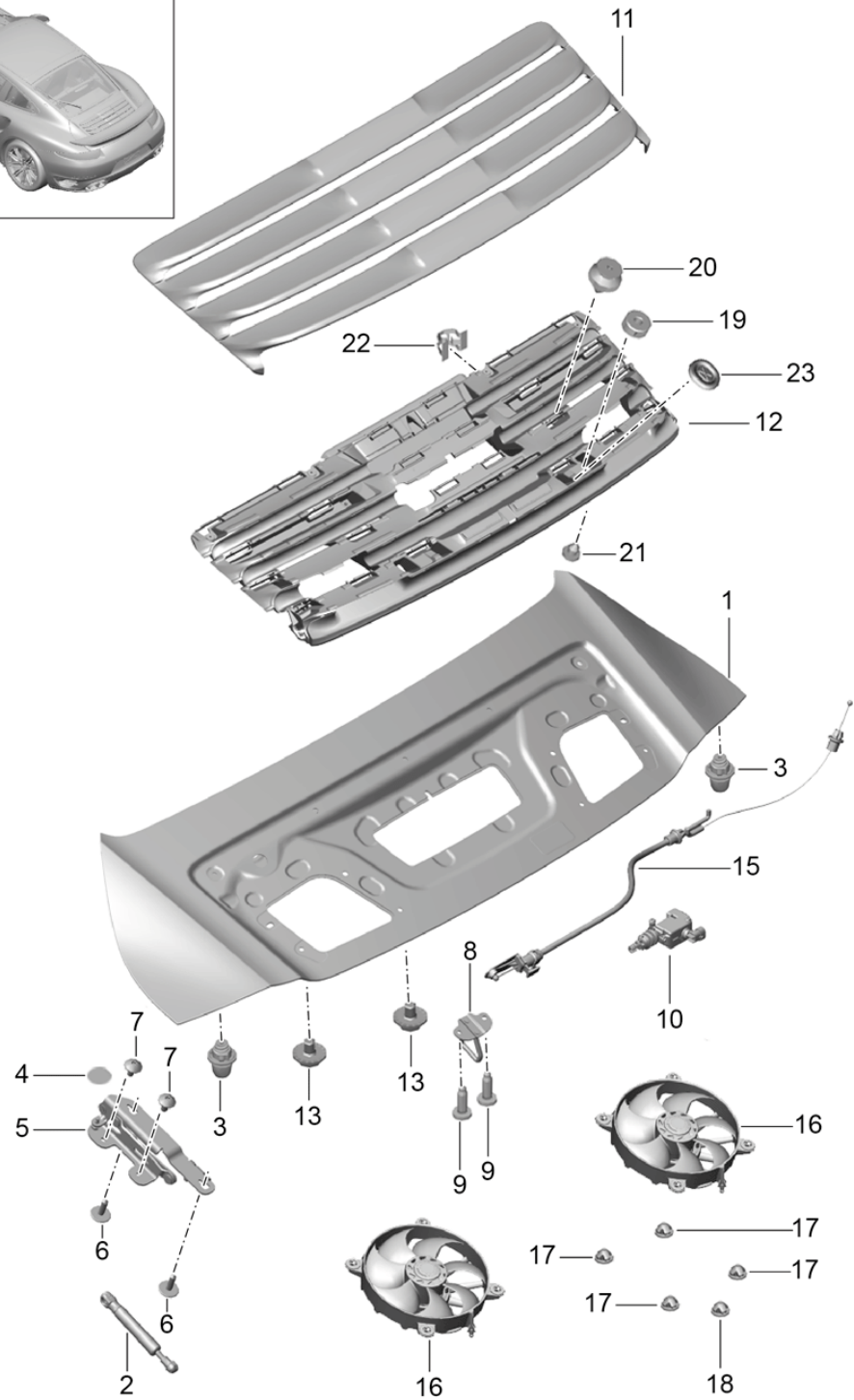
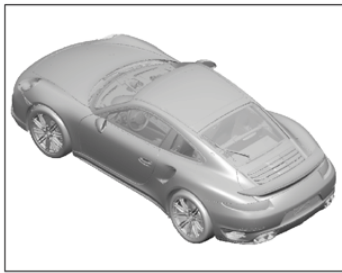
Model: 991T13

Model life 2014>>

Pos	Part Number	Description	Remark	Qty	Model
1	991 511 911 81	Bonnet Cover Carbon clear paint	front painted	1	GT2 RS
2	991 511 551 01	Gas filled strut		2	
3	991 511 151 03	Hinge	left	1	
(3)	991 511 152 03	Hinge	right	1	
4	999 076 066 09	Hexagon nut M6		4	
5	N 911 883 02	Hexagon socket head bolt M6 X 20		4	
6	9P1 823 085	Lock upper part		1	
7	9P1 823 499	Rubber buffer		2	
8	991 511 033 06	Lock lower part		1	
9	999 073 378 02	flat round head bolt M6 X 20		2	
11	999 919 717 01	fillister hd. bolt 5,0X27		2	
15	9P1 806 623	Bracket		1	
(15)	9P1 806 620	Bracket		1	
	9P1 806 620 GRV	primed			
16	9P1 823 615	Cable Emergency operation		1	
17	991 511 611 03	Seal Cover		1	
18	991 511 651 02	Hose bracket	left	1	
	991 511 651 02 1E0	Black			
(18)	991 511 652 02	Hose bracket	right	1	
	991 511 652 02 1E0	Black			
19	9P1 823 603	Protective cap		1	
20	999 911 756 41	Adhesive film		1	
21	991 511 511 81	Air inlet	left	1	
	991 511 511 81 OK1	Matt black			
22	991 511 512 81	Air inlet	right	1	
	991 511 512 81 OK1	Matt black			
23	991 511 417 B1	Air guide Cover	left	1	
	991 511 417 B1 OK1	Matt black			
24	991 511 418 B1	Air guide Cover	right	1	
	991 511 418 B1 OK1	Matt black			
25	000 043 302 78	Adhesive tape for Air inlet Cover		1	
26	991 511 945 80	Painting stencil template Weissach Package		1	

Model: 991T13

Model life 2014>>



Model: 991T13

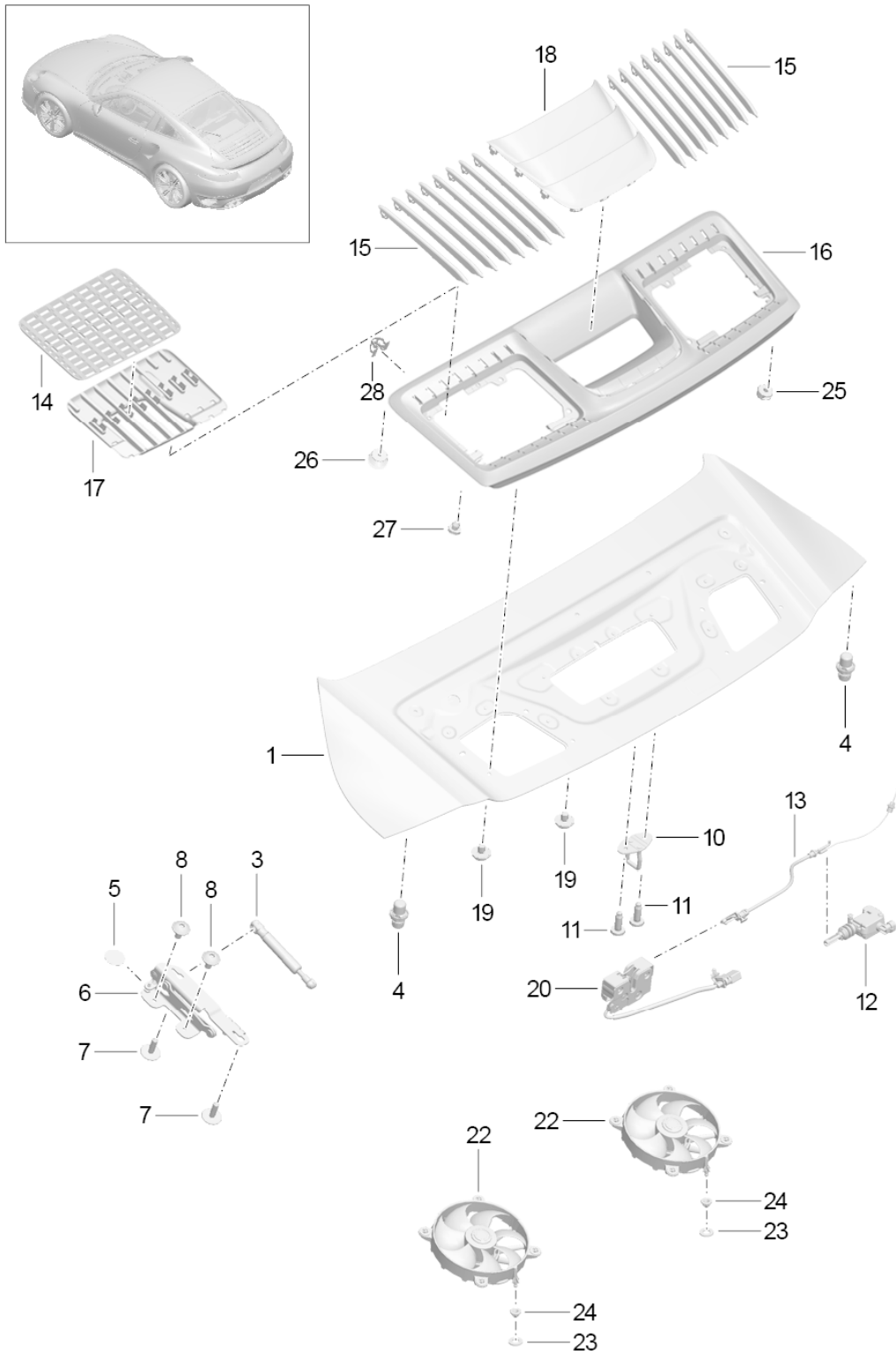
Model life 2014>>

Pos	Part Number	Description	Remark	Qty	Model
1	991 512 011 00	Cover D >> - MJ 2016	rear	1	Coupe
(1)	991 512 011 00 GRV	Cover primed		1	Coupe PR:686,690
(1)	991 512 011 01	Cover primed		1	
(1)	991 512 011 01 GRV	Cover primed		1	
(1)	991 512 011 03	Cover primed		1	
(1)	991 512 011 03 GRV	Cover primed		1	
2	991 512 551 00	Gas filled strut		2	
3	991 514 691 01	throttle control element Adjustable		2	Cabrio
3	987 512 987 00	throttle control element Adjustable		2	Coupe
4	991 512 819 00	Protective film		2	Coupe
5	991 512 151 02	Hinge	left	1	
(5)	991 512 152 02	Hinge	right	1	
6	N 911 883 01	Hexagon socket head bolt M6 X 20		4	
7	N 910 966 01	Hexagon socket flat head bolt M6 X 12		4	
8	991 512 213 02	Lock upper part		1	
9	999 073 378 02	flat round head bolt M6 X 20		2	
10	991 504 117 01	throttle control element		1	
11	991 512 571 03	Ventilation grille primed		1	
12	991 512 561 01	Carrier Ventilation grille		1	
13	996 564 245 00	Bolt with washer 5X8		4	
14	991 504 053 00	Lid lock		1	Coupe
15	991 504 553 01	Bowden cable		1	Coupe
16	991 624 050 05	Fan		2	
17	991 624 353 00	Grommet		5	
18	958 110 673 00	Grommet		X	
19	997 512 671 00	clamping nut		4	
20	999 507 897 40	Retaining clip 7,8X1,6		7	
21	999 703 270 40	Stop buffer 5,5X9X8,6		11	
22	999 507 584 01	Clamp 8,0X10,2/2,0		2	
23	999 703 557 40	End cap 22,6 X 30,6		1	



Model: 991T13

Model life 2014>>



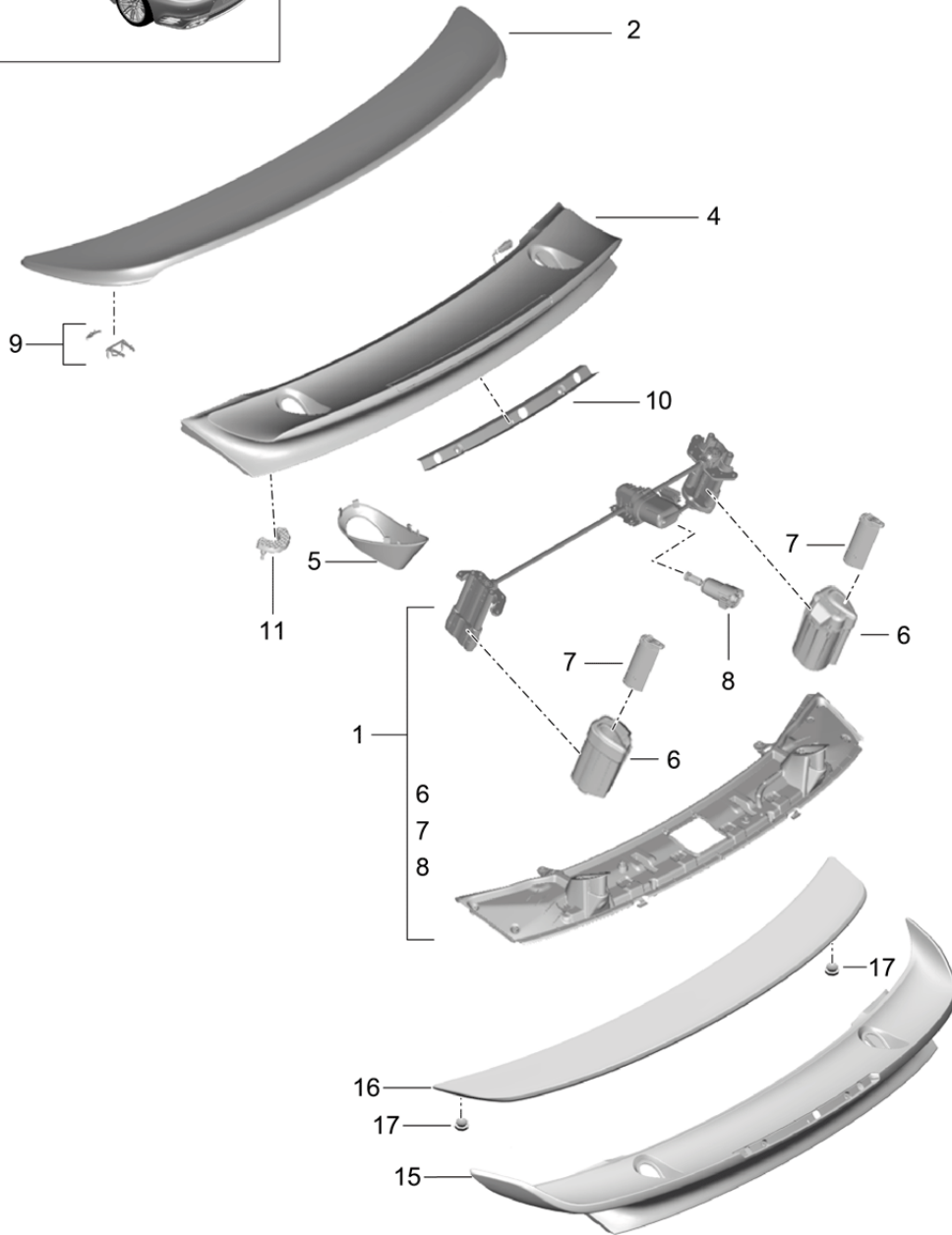
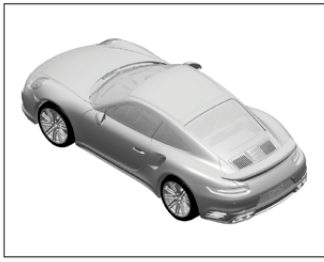
Model: 991T13

Model life 2014>>

Pos	Part Number	Description	Remark	Qty	Model
1	991 512 011 20	Cover D - MJ 2017>> Cover	rear	1	PR:QU1, QV0, QV1, QV3
(1)	991 512 011 20 GRV	primed			
	991 512 011 21	Cover		1	PR:QU8
	991 512 011 21 GRV	primed			
3	991 512 551 20	Gas filled strut		2	
4	8X0 827 499	stop buffer, adjustable		2	Coupe
6	991 512 151 20	Hinge	left	1	
(6)	991 512 152 20	Hinge	right	1	
7	N 911 883 01	Hexagon socket head bolt M6 X 20		4	
8	N 910 966 01	Hexagon socket flat head bolt M6 X 12		4	
10	991 512 213 20	Striker		1	
11	999 073 378 02	flat round head bolt M6 X 20		2	
12	991 504 117 20	throttle control element		1	
		with:			
13	991 504 553 20	Bowden cable		1	
14	991 512 581 40	Insert	left	1	
(14)	991 512 582 40	Ventilation grille Insert	right	1	
15	991 512 571 40	Ventilation grille disc set Vanes	left	1	
(15)	991 512 571 40 041	Black			
	991 512 571 40	disc set Vanes	right	1	
16	991 512 571 40 041	Black			
	991 512 585 41	Trim		1	
17	991 512 585 41 GRV	Ventilation grille primed			
(17)	991 512 561 40	Bracket	left	1	
	991 512 562 40	Ventilation grille Bracket	right	1	
18	991 512 331 41	Ventilation grille Trim for air inlet Air guide		1	
(18)	991 512 331 41 GRV	primed			
	991 512 941 01	Trim for air inlet Air guide		1	PR:XZJ
19	991 512 941 01 A3G	Carbon Gloss Black			
	996 564 245 00	Bolt with washer 5X8		4	PR:011, XAS
20	991 504 053 00	Lid lock		1	
22	991 624 050 06	Fan		2	
23	991 624 353 00	Grommet		X	
24	958 110 673 00	Grommet		X	
25	997 512 671 00	clamping nut		X	
26	999 507 897 40	Retaining clip 7, 8X1,6		7	
27	999 703 270 40	Stop buffer 5, 5X9X8,6		X	
28	999 507 584 01	Clamp 8, 0X10, 2/2, 0		X	

Model: 991T13

Model life 2014>>



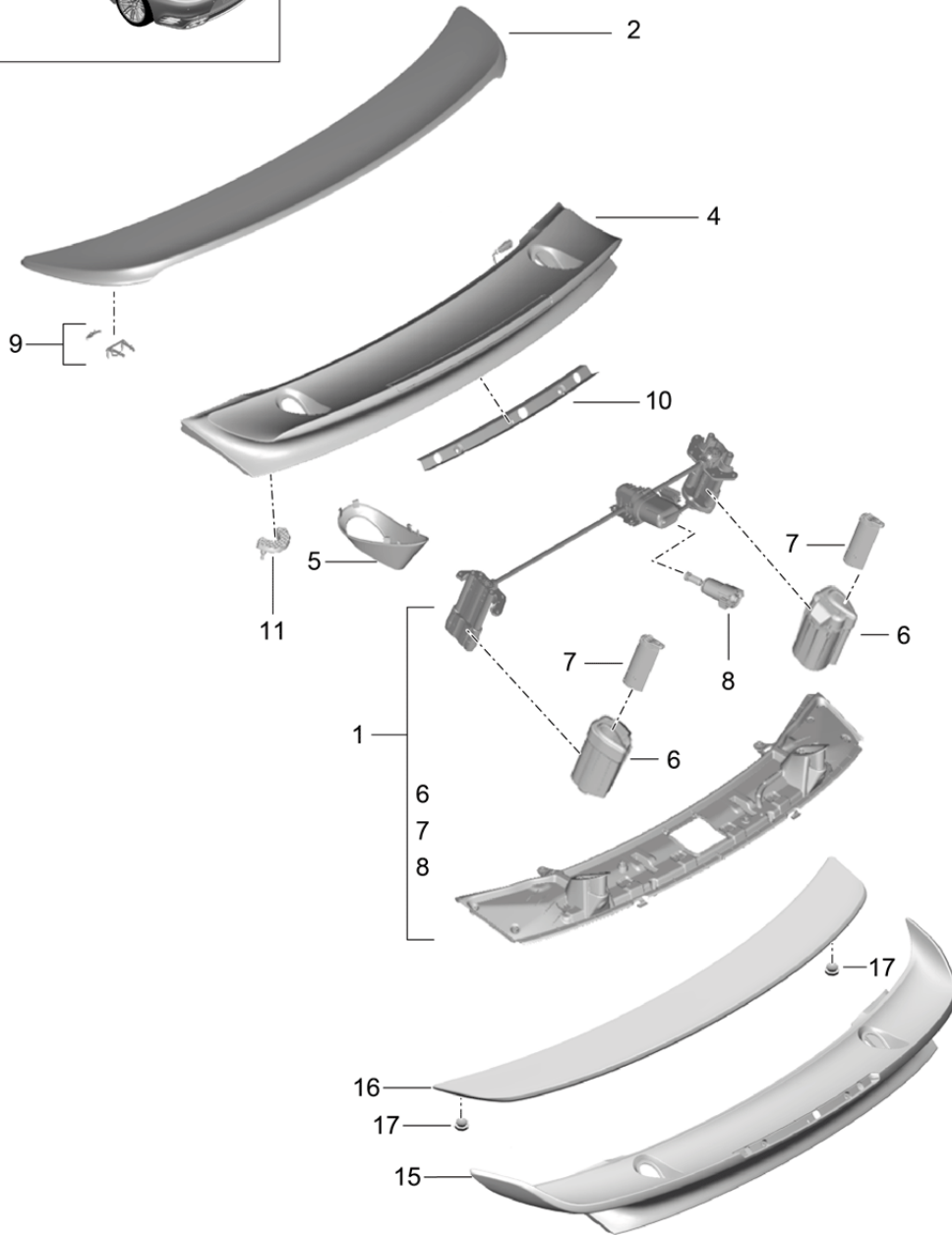
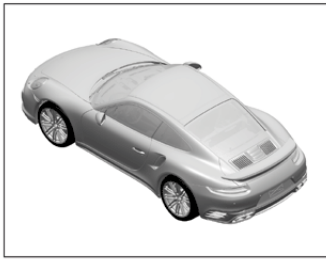
Model: 991T13

Model life 2014>>

Pos	Part Number	Description	Remark	Qty	Model
1	991 504 031 04	Rear spoiler D >> - MJ 2016 Driving mechanism		1	Coupe
1	991 504 031 05	Rear spoiler (complete) Driving mechanism		1	Cabrio
2	991 504 231 03	Rear spoiler primed		1	
4	991 504 227 03	Bottom half primed		1	
5	991 504 581 03	Cap primed	left	1	
(5)	991 504 582 03	Cap primed	right	1	
6	991 504 973 00	Cover Toggle catch Set		1	
7	991 504 975 00	Toggle catch Lifting mechanism Set	left	1	
(7)	991 504 976 00	Toggle catch Lifting mechanism Set	right	1	
8	991 504 977 00	Electric motor Driving mechanism Set		1	
9	991 504 945 00	1 set fixing parts for spoiler		1	
10	991 504 947 00	Rear spoiler Bracket Bottom half Set		1	
11	991 504 635 00	Rubber buffer		2	
15	991 504 985 05 991 504 985 05 G2X	Bottom half primed Aerokit		1	PR: XAF, XAV
16	991 504 983 08 991 504 983 08 G2X	Rear spoiler primed Aerokit		1	PR: XAF, XAV, -789
17	999 703 203 40	Rubber buffer		2	PR: XAF, XAV

Model: 991T13

Model life 2014>>

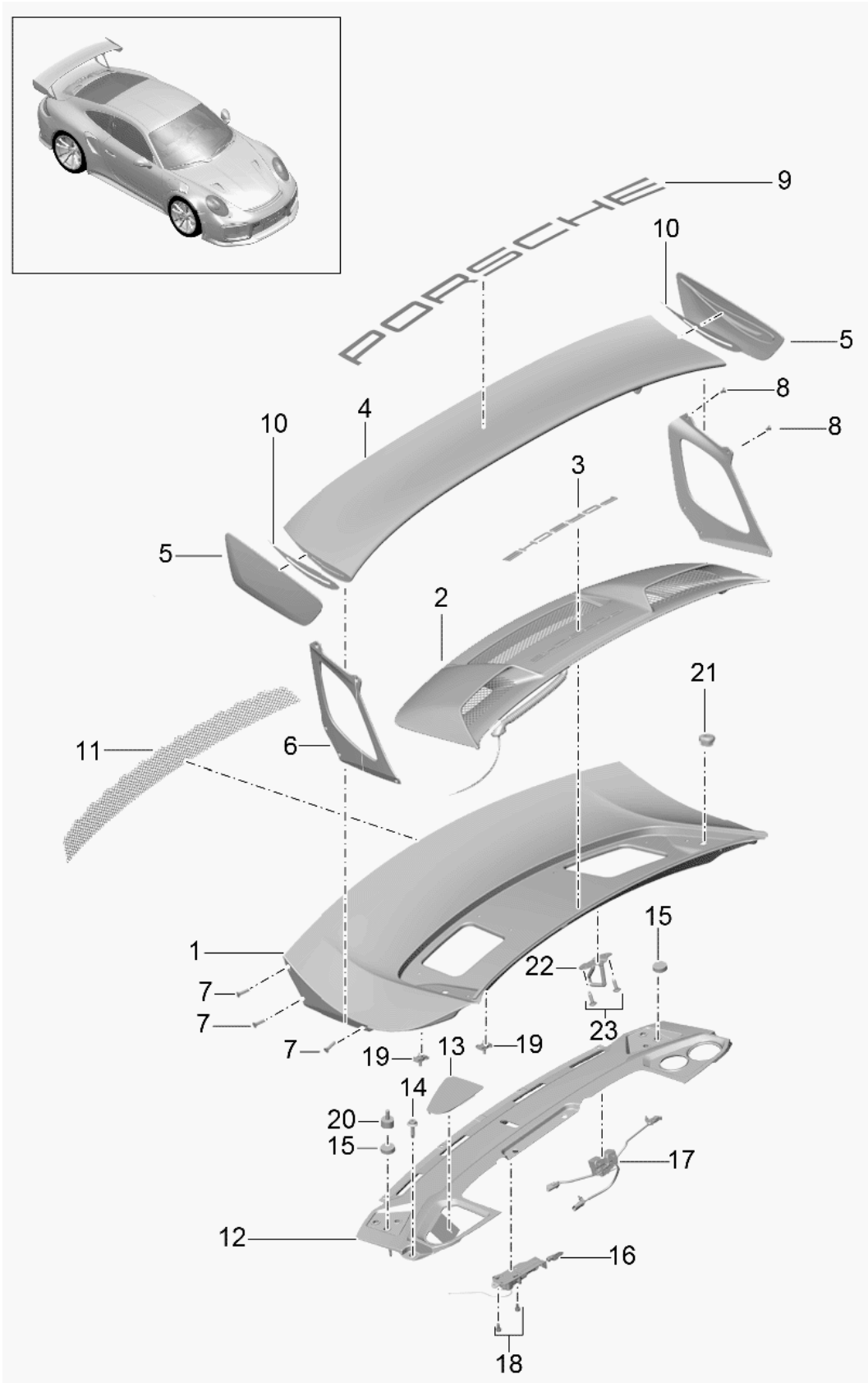


Model: 991T13 Model life 2014>>

Pos	Part Number	Description	Remark	Qty	Model
1	991 504 031 04	Rear spoiler D - MJ 2017>> Driving mechanism		1	Coupe
1	991 504 031 05	Rear spoiler (complete) Driving mechanism		1	Cabrio
2	991 504 231 03	Rear spoiler primed		1	
4	991 504 227 03	Bottom half primed		1	
5	991 504 581 03	Cap primed	left	1	
(5)	991 504 582 03	Cap primed	right	1	
6	991 504 973 00	Cover Toggle catch Set		1	
7	991 504 975 01	Toggle catch Lifting mechanism Set	left	1	
(7)	991 504 976 01	Toggle catch Lifting mechanism Set	right	1	
8	991 504 977 00	Electric motor Driving mechanism Set		1	
9	991 504 945 00	1 set fixing parts for spoiler		1	
10	991 504 947 00	Rear spoiler Bracket Bottom half Set		1	
11	991 504 635 00	Rubber buffer		2	
15	991 504 985 05	Bottom half Aerokit		1	PR: XAF, XAV
16	991 504 985 05 G2X	primed			
16	991 504 983 08	Rear spoiler Aerokit		1	PR: XAF, XAV
(16)	991 504 983 08 G2X	primed			
17	991 504 939 00	Rear spoiler Aerokit		1	PR: 028
17	991 504 939 00 A3G	Carbon Gloss Black			
17	999 703 203 40	Rubber buffer 5,8 X 9,5		2	PR: XAF, XAV

Model: 991T13

Model life 2014>>



Model: 991T13 Model life 2014>>

Pos	Part Number	Description	Remark	Qty	Model
		Rear lid Rear spoiler Accessories			GT2 RS
1	991 512 227 72	Cover		1	
	991 512 227 72 G2X	primed			
2	991 512 331 70	Ventilation grille (complete)		1	
		with:			
	991 512 331 70 A3G	Accessories			
3	9P1 853 687	Carbon Gloss Black inscription		1	
		Porsche			
4	991 512 265 70	Rear spoiler		1	
	991 512 265 70 A3G	Carbon Gloss Black			
5	991 512 463 72	Wing plate for rear spoiler	left	1	
	991 512 463 72 G2X	primed			
(5)	991 512 464 72	Wing plate for rear spoiler	right	1	
	991 512 464 72 G2X	primed			
6	991 512 681 70	Wing strut for rear spoiler Black	left	1	
		D >> - 10.11.2017			
6	991 512 681 71	Wing strut for rear spoiler Black	left	1	
		D - 13.11.2017>>			
(6)	991 512 682 70	Wing strut for rear spoiler Black	right	1	
		D >> - 10.11.2017			
(6)	991 512 682 71	Wing strut for rear spoiler Black	right	1	
		D - 13.11.2017>>			
7	999 073 509 01	countersunk bolt 6X12		4	
8	999 073 510 02	countersunk bolt M6X25		6	
9	991 559 251 70	inscription Porsche		1	
		Rear wing			
10	991 512 465 70	Adhesive tape	left	1	
		Wing plate for rear spoiler			
(10)	991 512 466 70	Adhesive tape	right	1	
		Wing plate for rear spoiler			
11	991 512 443 90	Grille		1	
		Air exhaust			
12	991 504 221 82	Mounting bracket		1	
13	991 504 475 80	Cover		1	
		Mounting bracket			
14	999 073 555 01	Socket head bolt M8X35		4	
15	991 504 675 80	Cover cap		2	
		Socket head bolt			
		Mounting bracket			
16	991 504 117 80	throttle control element		1	
		Lid lock			
17	991 504 053 91	Lid lock		1	
18	900 075 487 01	Bolt with washer M6X16		1	
19	999 505 419 40	Retaining clip 6,0		2	
20	991 512 971 80	Stop buffer		2	
21	999 703 203 40	Rubber buffer 5,8 X 9,5		2	PR : XAF , XAV
22	981 512 051 00	Striker Rear lid		1	



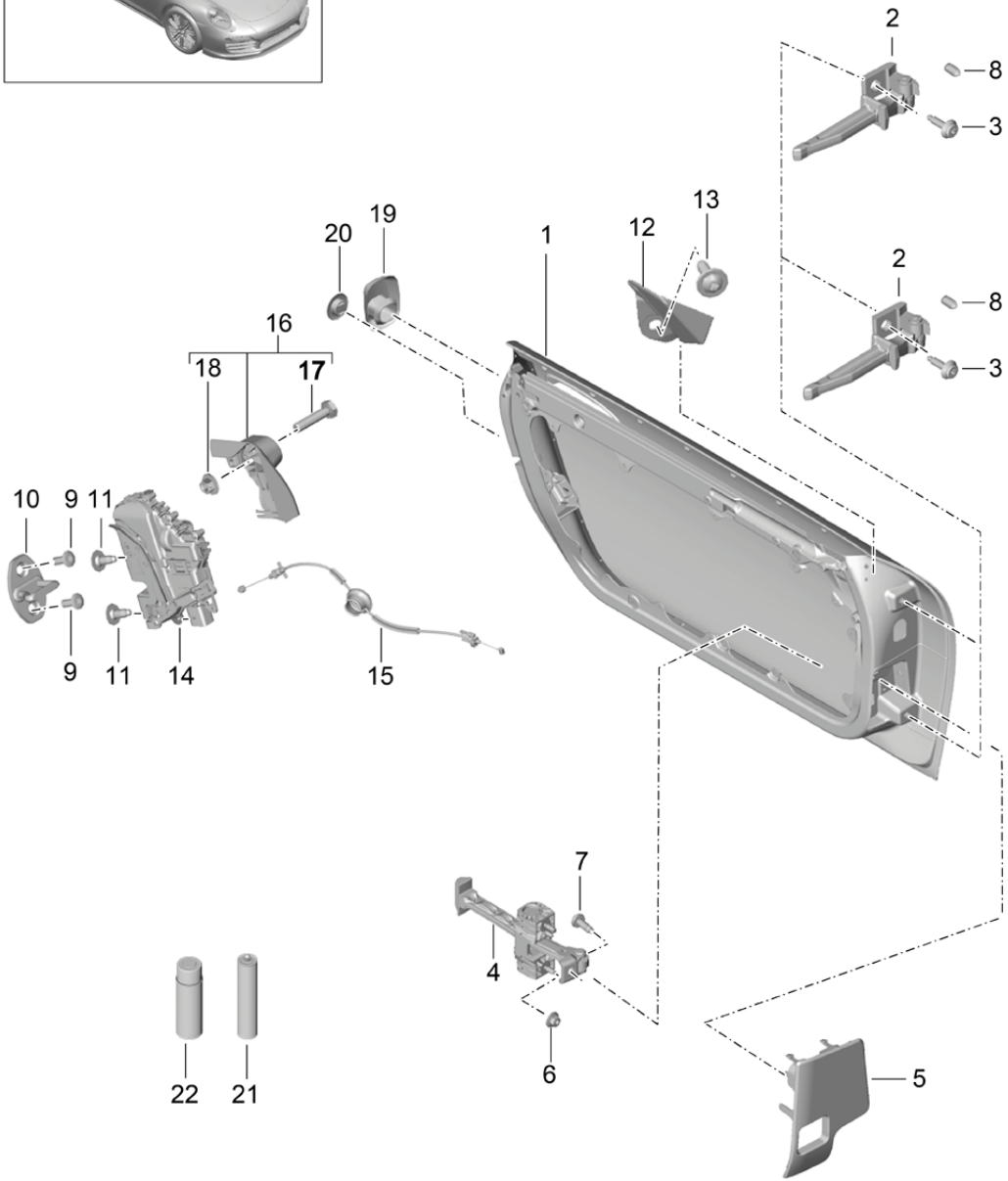
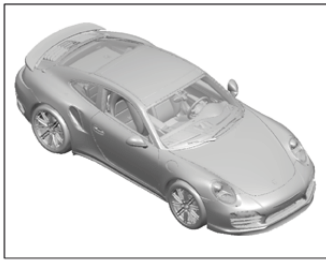
Model: 991T13

Model life 2014>>

Pos	Part Number	Description	Remark	Qty	Model
23	999 073 378 02	flat round head bolt		2	
24	991 512 151 81	Hinge Cover	rear left	1	
(24)	991 512 152 82	Hinge Cover	rear right	1	

Model: 991T13

Model life 2014>>



Model: 991T13 Model life 2014>>

Pos	Part Number	Description	Remark	Qty	Model
		Door shell Installation parts Door lock D >> - MJ 2016			
1	991 531 911 01 991 531 911 01 GRV	Door shell primed	left	1	
		also use:			
(1)	991 531 912 01 991 531 912 01 GRV	Door shell primed	right	1	
		also use:			
2	991 531 319 00	Hinge	left	2	
(2)	991 531 320 00	Hinge	right	2	
3	999 073 192 01	Socket head bolt M 8 X 33		2	
4	991 537 151 00	Door catch		2	
5	991 537 631 00	Cover	left	1	
		Door catch			
(5)	991 537 631 00 1E0 991 537 632 00	Black Cover	right	1	
		Door catch			
6	991 537 632 00 1E0 999 076 042 01	Black Hexagon nut M 6		4	
7	999 073 138 01	flat round head bolt M 8 X 25		2	
8	958 537 947 00	Cover cap Hinge		4	
9	N 910 174 01	countersunk multi-point socket head bolt M 8 X 22		4	
10	3C0 837 767 A	Striker		2	
11	WHT 003 688	fillister head bolt (combi.) M 8 X 16		4	
12	991 537 831 00	Support Wing	left	1	
		Black			
(12)	991 537 831 00 1E0 991 537 832 00	Support Wing	right	1	
		Black			
13	999 073 322 02	fillister hd. bolt M6X20-SC		1	
14	4G1 837 015	Door lock	left lhd	1	PR:098
(14)	4G1 837 015 A	Door lock	left	1	PR:072,553
(14)	8J1 837 016 C	Door lock	right lhd	1	PR:098
(14)	8J1 837 016 D	Door lock	right	1	PR:072,553
(14)	8J2 837 015 C	Door lock	left rhd	1	PR:099
(14)	4G2 837 016	Door lock	right rhd	1	PR:099
15	991 537 319 00	Bowden cable Door lock		2	
16	991 537 045 01	door lock cover (drivers side)	lhd	1	PR:098
(16)	991 537 046 01	door lock cover (drivers side)	rhd	1	PR:099
17	N 010 218 13	Hexagon bolt M 6 X 25		1	
18	999 084 212 03	Hexagon nut M 6		1	
19	9P1 837 111	Cover Door frame		1	
		Black			
20	9P1 837 111 1E0 9P1 837 111 A	Cover Emergency operation Door frame		1	

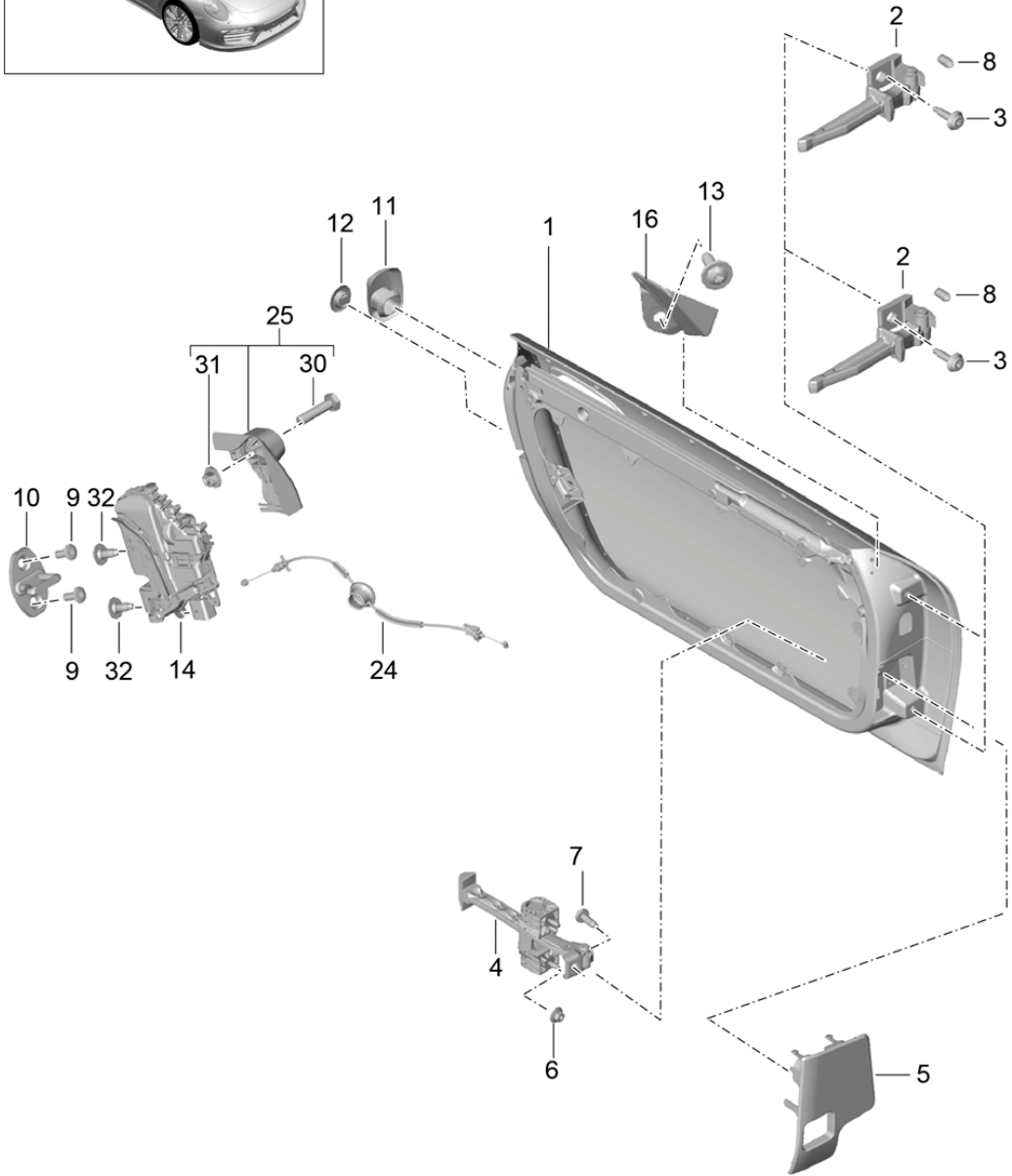
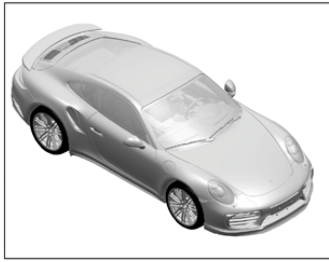
Model: 991T13

Model life 2014>>

Pos	Part Number	Description	Remark	Qty	Model
21	9P1 837 111 A 1E0 000 043 305 32	Black sealant		1	
22	000 043 305 51	cavity preservative agent		1	

Model: 991T13

Model life 2014>>



Model: 991T13

Model life 2014>>

Pos	Part Number	Description	Remark	Qty	Model
		Door shell Installation parts Door lock D - MJ 2017>>			
1	9P1 831 051 AY	Door shell	left	1	
	9P1 831 051 AY GRV	primed			
(1)	9P1 831 052 AY	Door shell	right	1	
	9P1 831 052 AY GRV	primed			
2	991 531 319 00	Hinge	left	2	
(2)	991 531 320 00	Hinge	right	2	
3	999 073 192 01	Socket head bolt M 8 X 33		2	
4	991 537 151 00	Door catch		2	
5	991 537 931 00	Cover Door catch Black	left	1	
		See technical information GR. 5 NR. 16/14			
(5)	991 537 932 00	Cover Door catch Black	right	1	
		See technical information GR. 5 NR. 16/14			
6	999 076 042 01	Hexagon nut M 6		4	
7	999 073 138 01	flat round head bolt M 8 X 25		2	
8	958 537 947 00	Cover cap Hinge		4	
9	N 910 174 01	countersunk multi-point socket head bolt M 8 X 22		4	
10	3C0 837 767 A	Striker		2	
11	9P1 837 111	Cover Door frame		1	
	9P1 837 111 1E0	Black			
12	9P1 837 111 A	Cover Emergency operation Door frame		1	
	9P1 837 111 A 1E0	Black			
13	999 073 322 02	fillister hd. bolt M6X20-SC		1	
14	4G1 837 015	Door lock	left lhd	1	PR:098
(14)	4G1 837 015 A	Door lock	left	1	PR:072,553
(14)	8J1 837 016 E	Door lock	right lhd	1	PR:098
(14)	8J1 837 016 F	Door lock	right	1	PR:072,553
(14)	8J2 837 015 E	Door lock	left rhd	1	PR:099
(14)	4G2 837 016	Door lock	right rhd	1	PR:099
16	991 537 831 00	Support Wing	left	1	
	991 537 831 00 1E0	Black			
(16)	991 537 832 00	Support Wing	right	1	
	991 537 832 00 1E0	Black			
24	991 537 319 00	Bowden cable		2	
25	991 537 045 01	Door lock door lock cover (drivers side)	lhd	1	PR:098
(25)	991 537 046 01	door lock cover (drivers side)	rhd	1	PR:099
30	N 010 218 13	Hexagon bolt M 6 X 25		1	
31	999 084 212 03	Hexagon nut		1	

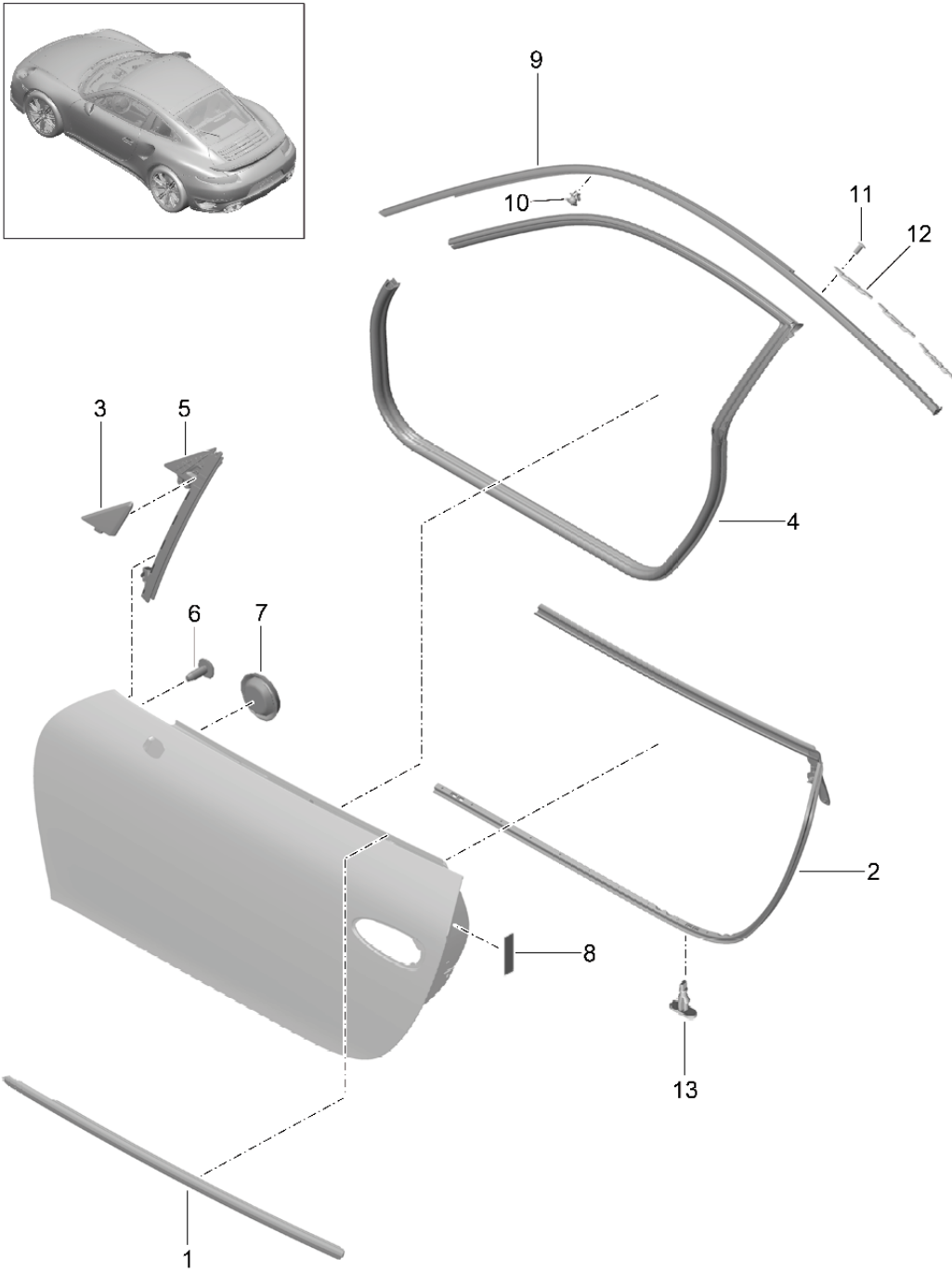
Model: 991T13

Model life 2014>>

Pos	Part Number	Description	Remark	Qty	Model
32	WHT 003 688	M 6 fillister head bolt (combi.) M 8 X 16		4	

Model: 991T13

Model life 2014>>





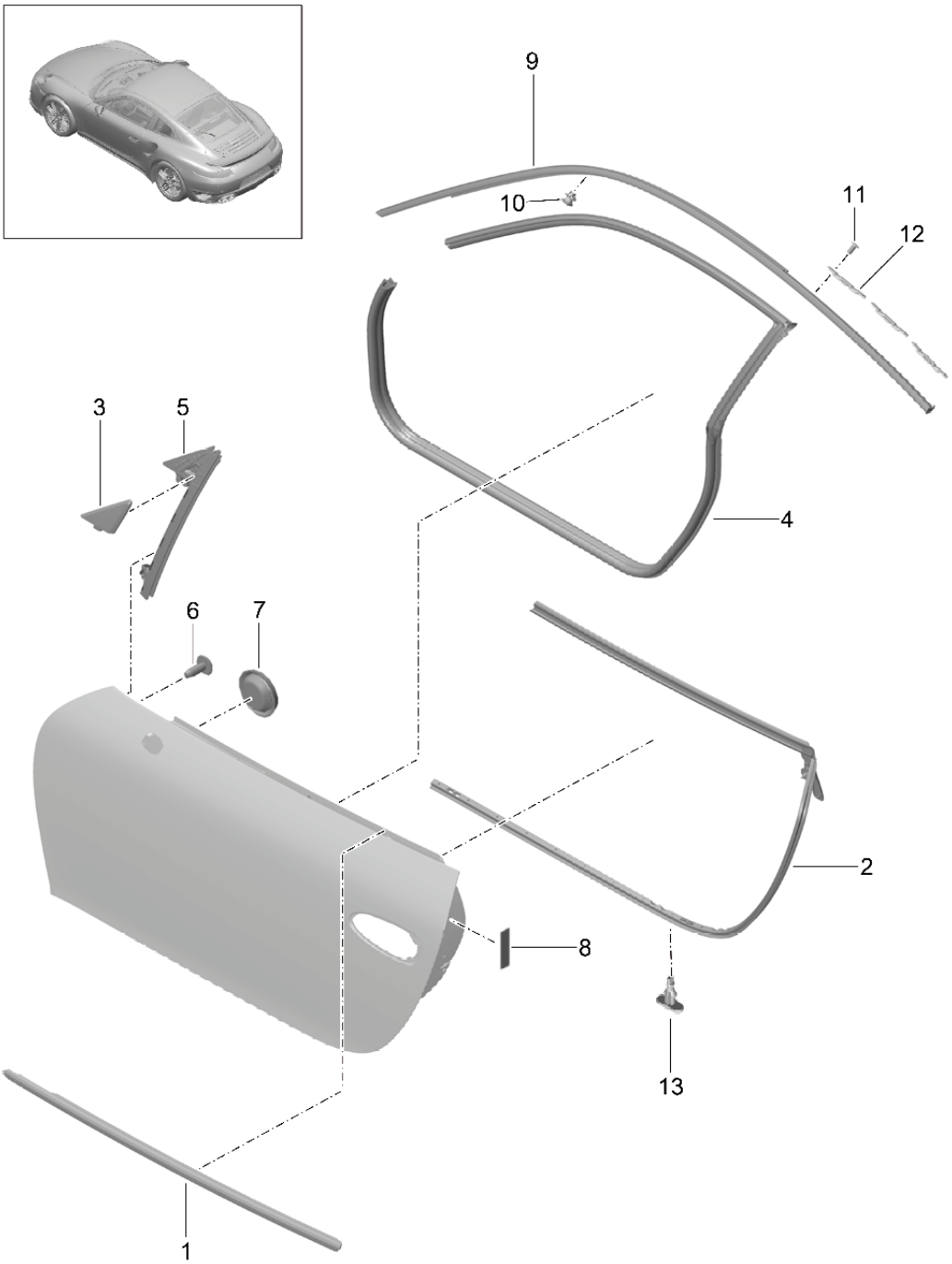
Model: 991T13

Model life 2014>>

Pos	Part Number	Description	Remark	Qty	Model
		Door seal and Trim D >> - MJ 2016			Coupe
1	991 537 085 01	Seal	left	1	
		Door channel	outer		
(1)	991 537 085 01 03C	Rally black			
	991 537 085 02	Seal	left	1	
		Door channel	outer		
(1)	991 537 085 02 V09	Alushine			
(1)	991 537 086 01	Seal	right	1	
		Door channel	outer		
(1)	991 537 086 01 03C	Rally black			
	991 537 086 02	Seal	right	1	
		Door channel	outer		
	991 537 086 02 V09	Alushine			
2	991 537 377 00	Seal	left	1	
		Door channel	inner		
(2)	991 537 378 00	Seal	right	1	
		Door channel	inner		
-	999 911 201 40	sealing tape 1000 X 10 X 3 MM		1	
3	991 537 551 03	Cover	left	1	
			outer		
(3)	991 537 551 03 1E0	Black			
	991 537 552 03	Cover	right	1	
			outer		
	991 537 552 03 1E0	Black			
4	991 537 075 04	Door seal	left	1	
			inner		
(4)	991 537 076 04	Door seal	right	1	
			inner		
5	991 537 431 02	Window guide	left	1	
(5)	991 537 432 02	Window guide	right	1	
6	999 073 333 09	fillister hd. bolt M6X16-SC		6	
7	999 703 543 40	End cap 25,0X35,0		1	
8	996 537 337 00	protective foil for door		4	
9	991 537 481 02	Trim	left	1	
		roof frame	side		
(9)	991 537 481 02 03C	Rally black			
	991 537 481 03	Trim	left	1	
		roof frame	side		
(9)	991 537 481 03 V09	Alushine			
(9)	991 537 482 02	Trim	right	1	
		roof frame	side		
(9)	991 537 482 02 03C	Rally black			
	991 537 482 03	Trim	right	1	
		roof frame	side		
	991 537 482 03 V09	Alushine			
10	991 537 671 00	Clip		16	
11	N 907 878 02	cup rivet AK3,2X6,5		12	
12	3D5 853 707 B	Retaining clip		6	
13	999 507 304 41	Water deflector strip Clip		X	

Model: 991T13

Model life 2014>>



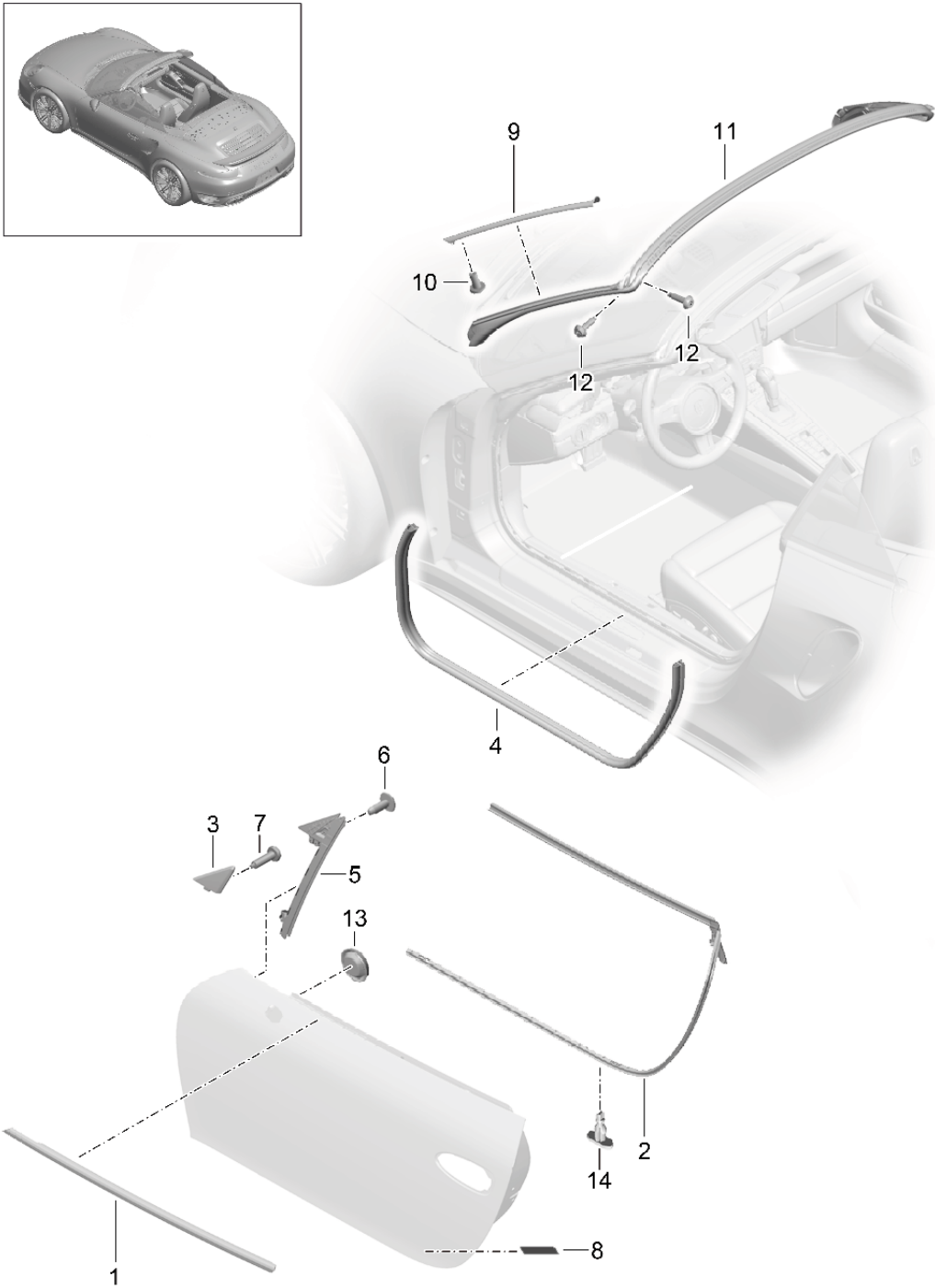
Model: 991T13

Model life 2014>>

Pos	Part Number	Description	Remark	Qty	Model
		Door seal and Trim D - MJ 2017>>			Coupe
1	991 537 085 01	Seal	left	1	PR:-559
		Door channel	outer		
(1)	991 537 085 01 03C	Rally black			
	991 537 085 02	Seal	left	1	PR:559
		Door channel	outer		
(1)	991 537 085 02 V09	Alushine			
(1)	991 537 086 01	Seal	right	1	PR:-559
		Door channel	outer		
(1)	991 537 086 01 03C	Rally black			
	991 537 086 02	Seal	right	1	PR:559
		Door channel	outer		
	991 537 086 02 V09	Alushine			
2	991 537 377 00	Seal	left	1	
		Door channel	inner		
(2)	991 537 378 00	Seal	right	1	
		Door channel	inner		
-	999 911 201 40	sealing tape 1000 X 10 X 3 MM		1	
3	991 537 551 03	Cover	left	1	
			outer		
(3)	991 537 551 03 1E0	Black			
	991 537 552 03	Cover	right	1	
			outer		
	991 537 552 03 1E0	Black			
4	991 537 075 04	Door seal	left	1	
			inner		
(4)	991 537 076 04	Door seal	right	1	
			inner		
5	991 537 431 02	Window guide	left	1	
(5)	991 537 432 02	Window guide	right	1	
6	999 073 333 09	fillister hd. bolt M6X16-SC		6	
7	999 703 543 40	End cap 25,0X35,0		1	
8	996 537 337 00	protective foil for door		4	
9	991 537 481 02	Trim	left	1	PR:-559
		roof frame	side		
(9)	991 537 481 02 03C	Rally black			
	991 537 481 03	Trim	left	1	PR:559
		roof frame	side		
(9)	991 537 481 03 V09	Alushine			
(9)	991 537 482 02	Trim	right	1	PR:-559
		roof frame	side		
(9)	991 537 482 02 03C	Rally black			
	991 537 482 03	Trim	right	1	PR:559
		roof frame	side		
	991 537 482 03 V09	Alushine			
10	991 537 671 00	Clip		16	
11	N 907 878 02	cup rivet AK3,2X6,5		12	
12	3D5 853 707 B	Retaining clip		6	
13	999 507 304 41	Water deflector strip Clip		X	

Model: 991T13

Model life 2014>>



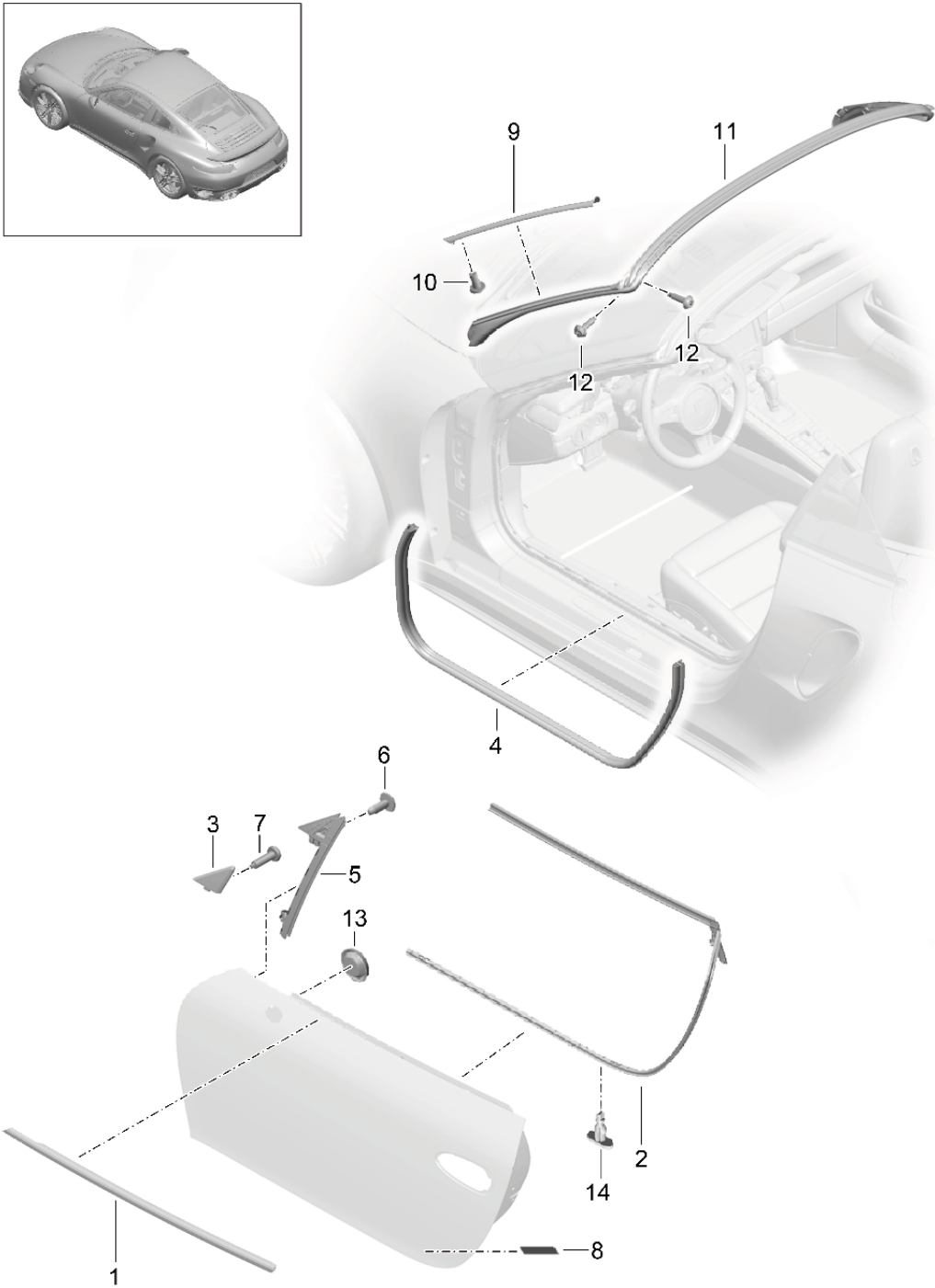
Model: 991T13

Model life 2014>>

Pos	Part Number	Description	Remark	Qty	Model
		Door seal and Trim D >> - MJ 2016			Cabrio
1	991 537 085 04	Seal	left	1	
(1)	991 537 086 04	Door channel Seal	outer right	1	
2	991 537 377 00	Door channel Seal	outer left	1	
(2)	991 537 378 00	Door channel Seal	inner right	1	
3	991 537 551 03	Door channel Cover	inner outer	1	
(3)	991 537 551 03 1E0	Black		1	
	991 537 552 03	Cover	outer	1	
	991 537 552 03 1E0	Black		1	
4	991 537 075 05	Door seal	left inner	1	
(4)	991 537 076 05	Door seal	right inner	1	
5	991 537 431 02	Window guide	left	1	
(5)	991 537 432 02	Window guide	right	1	
6	999 073 333 09	fillister hd. bolt M6X16-SC		6	
7	999 919 120 09	fillister hd. bolt 4,0X18		2	
8	996 537 337 00	protective foil for door		4	
9	991 537 481 04	Trim	left side	1	
(9)	991 537 482 04	Trim roof frame	right side	1	
10	999 190 445 37	Pop rivet		8	
11	991 537 077 02	Seal		1	
12	999 073 498 01	Windscreen frame part fillister hd. bolt M5X20		4	
13	999 703 543 40	End cap 25,0X35,0		1	
14	999 507 304 41	Clip		X	

Model: 991T13

Model life 2014>>

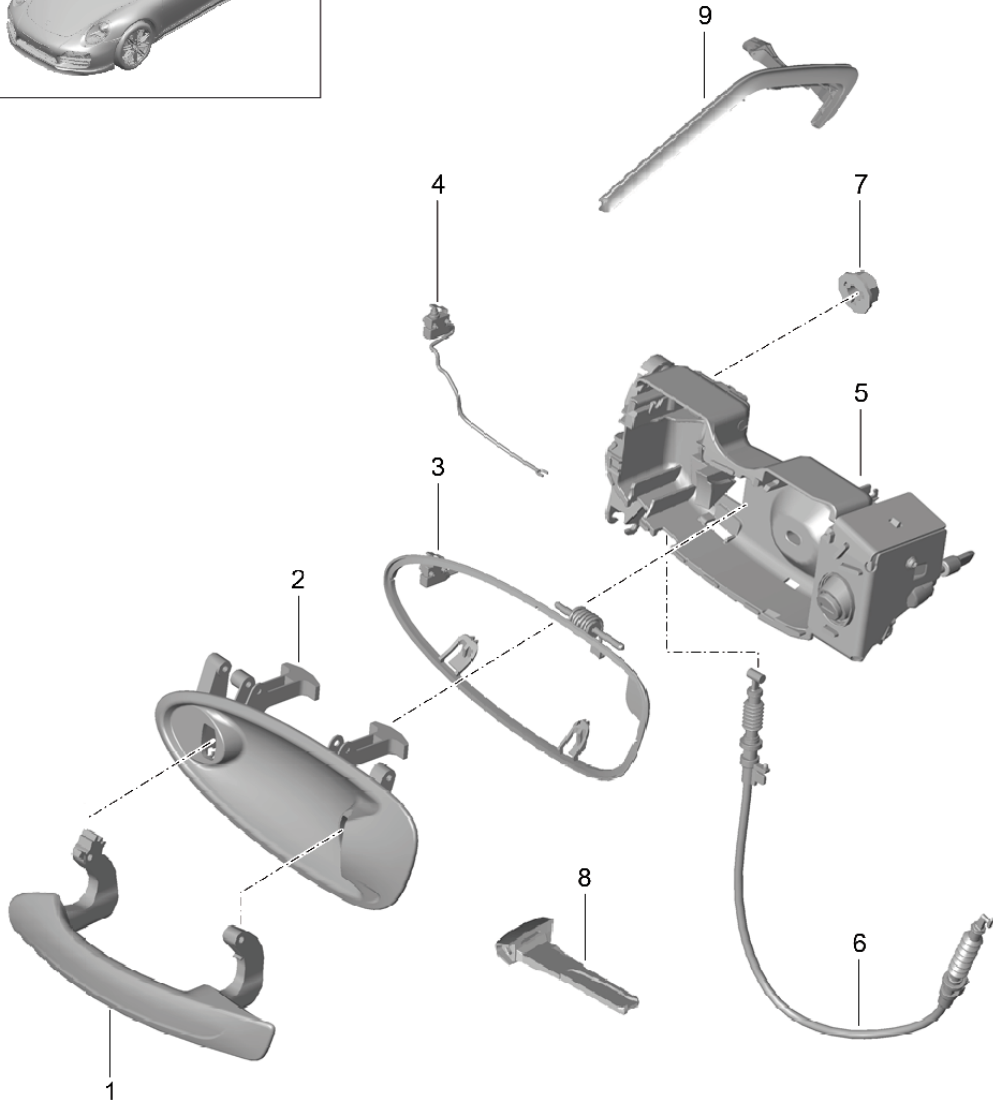
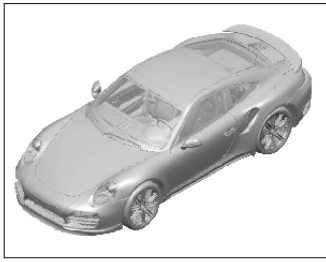


Model: 991T13 Model life 2014>>

Pos	Part Number	Description	Remark	Qty	Model
		Door seal and Trim D - MJ 2017>>			Cabrio
1	991 537 085 04	Seal	left	1	
(1)	991 537 086 04	Door channel Seal	outer right	1	
2	991 537 377 00	Door channel Seal	outer left	1	
(2)	991 537 378 00	Door channel Seal	inner right	1	
3	991 537 551 03	Door channel Cover	inner outer	1	
(3)	991 537 551 03 1E0	Black		1	
	991 537 552 03	Cover	outer	1	
	991 537 552 03 1E0	Black		1	
4	991 537 075 05	Door seal	left inner	1	
(4)	991 537 076 05	Door seal	right inner	1	
5	991 537 431 02	Window guide	left	1	
(5)	991 537 432 02	Window guide	right	1	
6	999 073 333 09	fillister hd. bolt M6X16-SC		6	
7	999 919 120 09	fillister hd. bolt 4,0X18		2	
8	996 537 337 00	protective foil for door		4	
9	991 537 481 04	Trim	left side	1	
(9)	991 537 482 04	Trim roof frame	right side	1	
10	999 190 445 37	Pop rivet		8	
11	991 537 077 02	Seal		1	
12	999 073 498 01	Windscreen frame part fillister hd. bolt M5X20		4	
13	999 703 543 40	End cap 25,0X35,0		1	
14	999 507 304 41	Clip		X	

Model: 991T13

Model life 2014>>



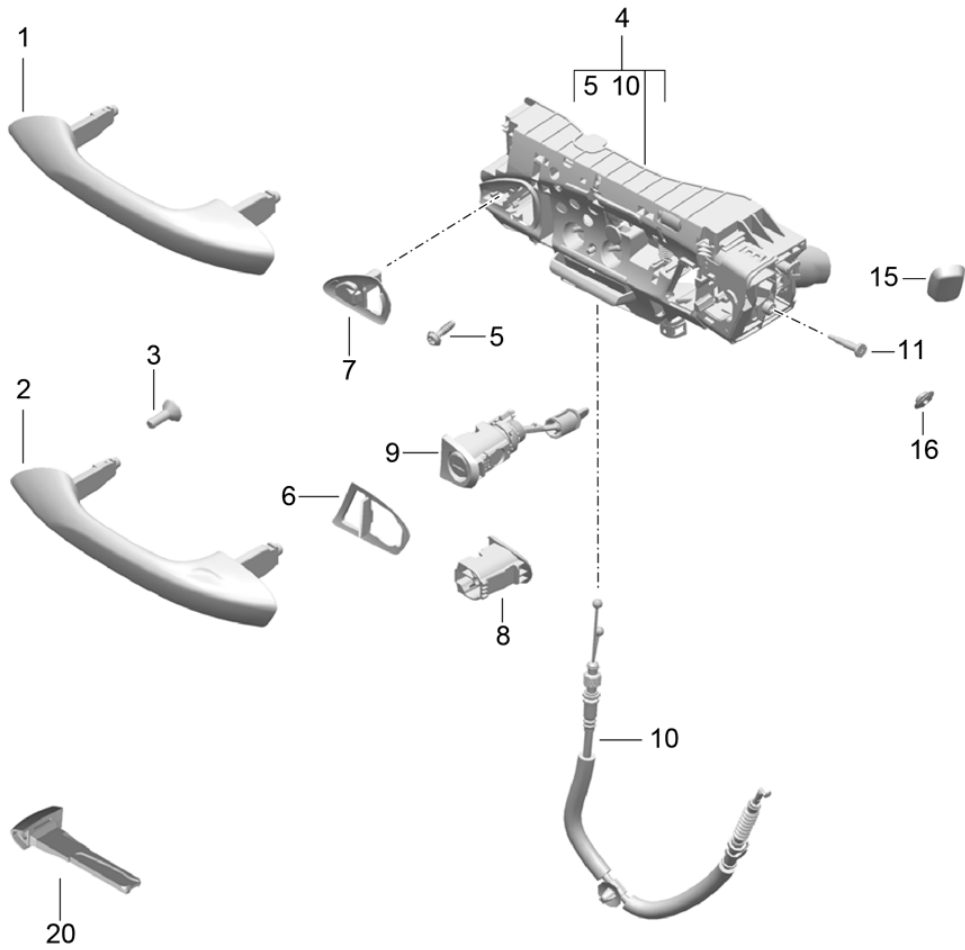
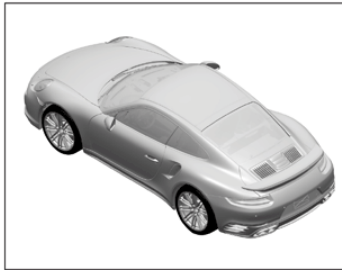


Model: 991T13 Model life 2014>>

Pos	Part Number	Description	Remark	Qty	Model
1	991 537 613 02	Door handle D >> - MJ 2016 Door handle	left basic	1	
(1)	991 537 614 02	primed Door handle	right basic	1	
(1)	991 537 913 00	primed Door handle	left	1	PR:625
(1)	991 537 914 00	'Keyless Entry (KESSY)' primed Door handle	right	1	PR:625
2	991 537 645 05	'Keyless Entry (KESSY)' primed Handle liner	left	1	
(2)	991 537 646 05	primed Handle liner	right	1	
3	991 537 445 02	primed Assembly kit	left	1	
(3)	991 537 446 02	Assembly kit	right	1	
4	991 613 171 00	Micro switch	basic	1	
(4)	991 613 181 00	Micro switch		1	PR:625
(5)	991 538 911 04	'Keyless Entry (KESSY)' Bracket Door handle, exterior	left lhd	1	PR:098
		with:			
(5)	991 537 064 05	Lock cylinders Vehicle Ident. No. Indicate Bracket	right lhd	1	PR:098
(5)	991 538 912 04	Door handle, exterior Without lock cylinder Bracket	right rhd	1	PR:099
		with:			
(5)	991 537 063 05	Lock cylinders Vehicle Ident. No. Indicate Bracket	left rhd	1	PR:099
6	991 537 419 01	Door handle, exterior Without lock cylinder Bowden cable		2	
7	999 084 629 01	Door handle, exterior Hexagon nut		4	
8	958 538 916 00	M 6-SB emergency key		X	
		with stipulated lock number State lock number			
9	991 537 723 01	Door handle	left	1	PR:625
		'Keyless Entry (KESSY)' strip			
(9)	991 537 724 01	primed Door handle	right	1	PR:625
		'Keyless Entry (KESSY)' strip primed			

Model: 991T13

Model life 2014>>



Model: 991T13 Model life 2014>>

Pos	Part Number	Description	Remark	Qty	Model
1	9P1 837 165 Y	Door handle D - MJ 2017>> Door handle	left basic	1	PR:-625
(1)	9P1 837 166 Y	primed Door handle	right basic	1	PR:-625
2	9P1 837 165 AY	primed Door handle	left	1	PR:625
(2)	9P1 837 166 AY	'Keyless Entry (KESSY)' primed Door handle	right	1	PR:625
3	900 144 183 01	panel screw ST2.9X5.4		1	
4	9P1 837 885 B	Mounting bar	left lhd	1	PR:098
(4)	9P1 837 886 B	Mounting bar	right lhd	1	PR:098
(4)	9P1 837 885 C	Mounting bar	left rhd	1	PR:099
(4)	9P1 837 886 C	Mounting bar	right rhd	1	PR:099
5	999 919 311 01	fillister hd. bolt 5.0X18.0		3	
6	9P1 837 209	Underlay	left	1	
(6)	9P1 837 210	Underlay	right	1	
7	9P1 837 161	Bracket	left	1	
(7)	9P1 837 162	Bracket	right	1	
8	9P1 837 469	Mounting bar	left rhd	1	PR:099
(8)	9P1 837 470	Bracket	right lhd	1	PR:098
9	9P1 800 375 B	Mounting bar		1	PR:098
		Set of locks with stipulated lock number comprising: Lock cylinders emergency key Key fob Vehicle Ident. No. and State lock number	lhd	1	PR:098
(9)	9P1 800 375 C	Set of locks with stipulated lock number comprising: Lock cylinders emergency key Key fob Vehicle Ident. No. and State lock number	rhd	1	PR:099
10	9P1 837 017	Bowden cable		1	
11	WHT 002 684	Mounting bar Locating bolt M 4GFX5X29		1	
15	9P1 837 111	Cover		1	
	9P1 837 111 1E0	Door frame Black			

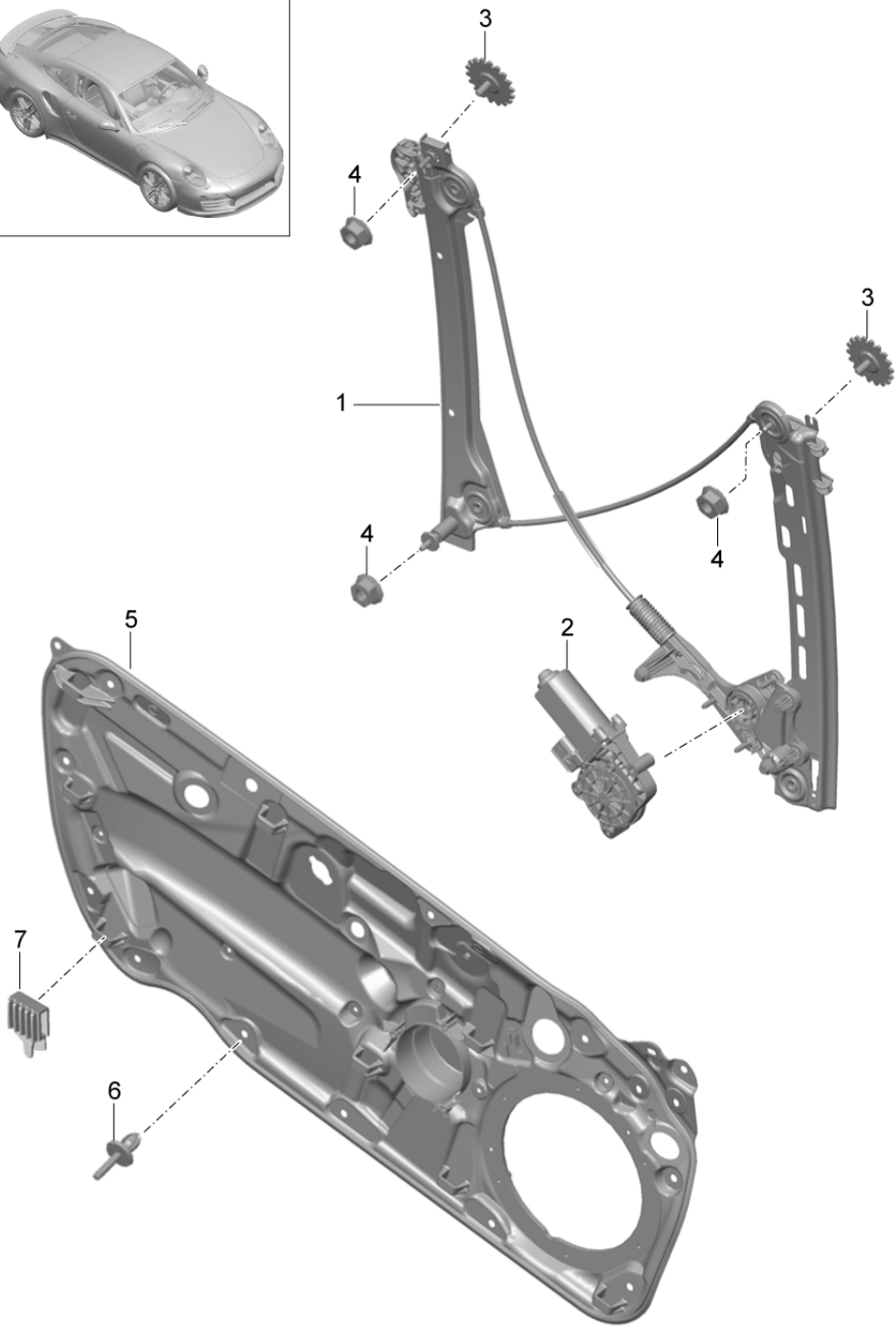
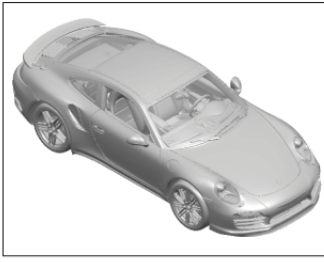
Model: 991T13

Model life 2014>>

Pos	Part Number	Description	Remark	Qty	Model
16	9P1 837 111 A	Cover Emergency operation		1	
20	9P1 837 111 A 1E0 958 538 916 00	Black emergency key with stipulated lock number State lock number		X	

Model: 991T13

Model life 2014>>



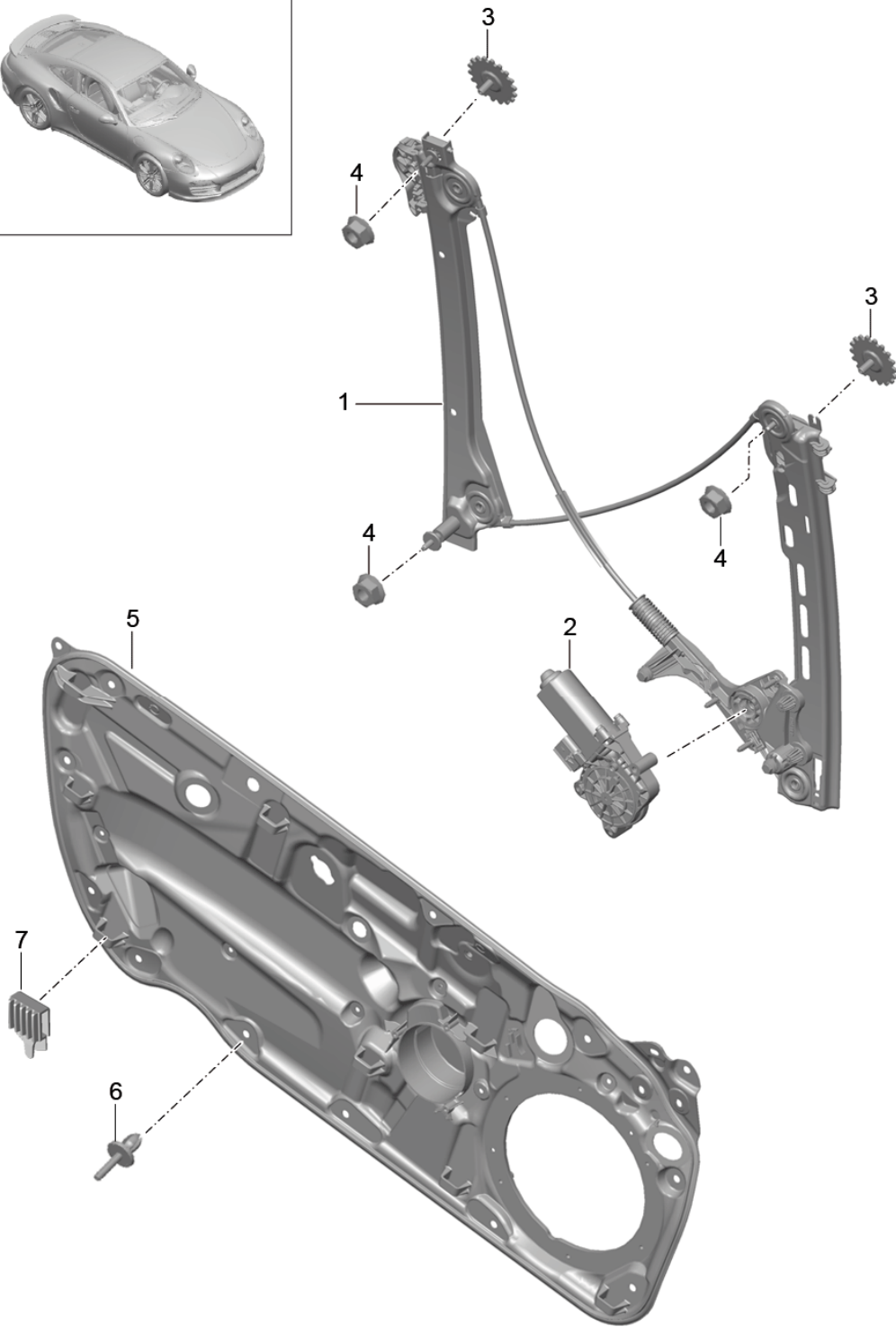
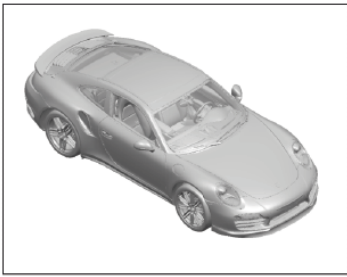
Model: 991T13

Model life 2014&gt;&gt;

Pos	Part Number	Description	Remark	Qty	Model
1	991 542 975 00	Window regulator D >> - MJ 2016 Window regulator without motor	left	1	
(1)	991 542 976 00	Electric motor Window regulator without motor	right	1	
2	991 624 101 02	Electric motor Window regulator	left	1	
(2)	991 624 102 02	Electric motor Window regulator	right	1	
3	991 542 551 02	Mount Window regulator		2	
4	900 377 018 09	Hexagon nut M 6		3	
5	991 537 221 01	Assembly frame	left	1	
(5)	991 537 222 01	Assembly frame	right	1	
6	999 591 525 40	Spreader rivet 7,0X14,2		13	
7	991 537 557 00	Rubber ply		8	

Model: 991T13

Model life 2014>>



Model: 991T13

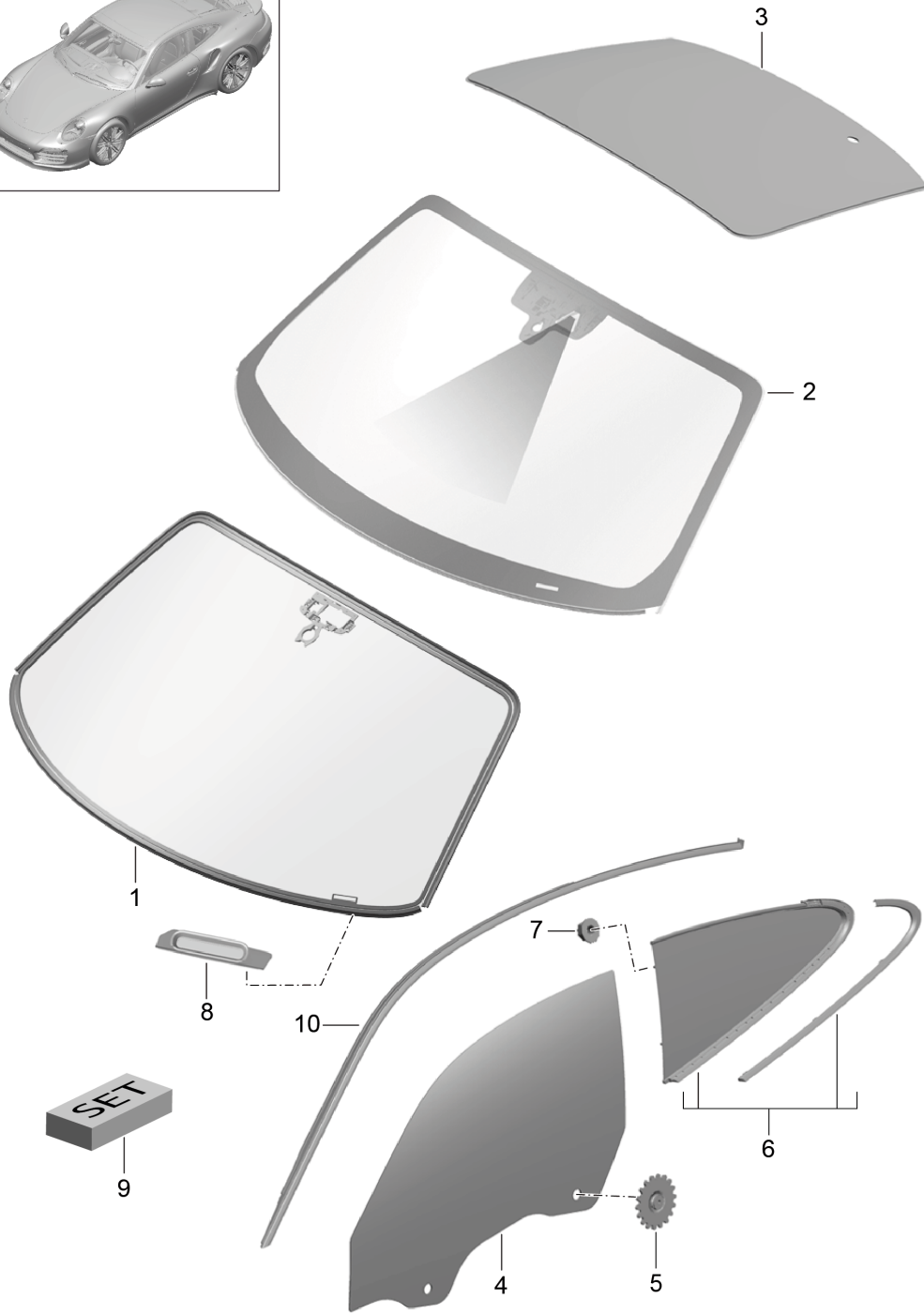
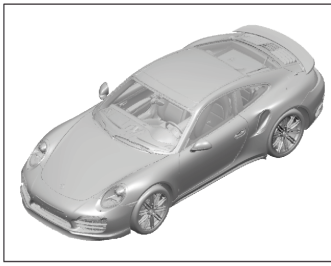
Model life 2014>>

Pos	Part Number	Description	Remark	Qty	Model
1	991 542 975 01	Window regulator D - MJ 2017>> Window regulator without motor	left	1	
(1)	991 542 976 01	Electric motor Window regulator without motor	right	1	
2	991 624 101 02	Electric motor Window regulator	left	1	
(2)	991 624 102 02	Electric motor Window regulator	right	1	
3	991 542 551 04	Mount Window regulator		2	
4	900 377 018 09	Hexagon nut M 6		3	
5	991 537 221 01	Assembly frame	left	1	
(5)	991 537 222 01	Assembly frame	right	1	
6	999 591 525 40	Spreader rivet 7,0X14,2		13	
7	991 537 557 00	Rubber ply		8	



Model: 991T13

Model life 2014>>



Model: 991T13

Model life 2014>>

Pos	Part Number	Description	Remark	Qty	Model
1	991 541 911 00	window glazing D >> - MJ 2016 Windscreen Camera without:		1	COUPE PR:568,-440, -458,-631, -632,-852
(1)	991 541 911 01	Windscreen Camera without:	also use: 000 043 305 35	1	CABRIO PR:568,-440, -458,-631, -632,-852
(1)	991 541 911 02	Windscreen Camera without:	also use: 000 043 305 35	1	COUPE PR:567,-440, -458,-631, -632,-852
(1)	991 541 911 03	Windscreen Camera without:	also use: 000 043 305 35	1	CABRIO PR:567,-440, -458,-631, -632,-852
(1)	991 541 911 04	Windscreen Camera without:	also use: 000 043 305 35	1	COUPE PR:568,440, -458,-631, -632,-852
(1)	991 541 911 05	Windscreen Camera without:	also use: 000 043 305 35	1	CABRIO PR:568,440, -458,-631, -632,-852
(1)	991 541 911 06	Windscreen Camera without:	also use: 000 043 305 35	1	COUPE PR:567,440, -458,-631, -632,-852
(1)	991 541 911 07	Windscreen Camera without:	also use: 000 043 305 35	1	CABRIO PR:567,440, -458,-631, -632,-852
2	991 541 911 08	Windscreen Camera with:	also use: 000 043 305 35	1	COUPE PR:568,-440, 631,632,852
2	991 541 911 08	Windscreen Camera with:	also use: 000 043 305 35	1	COUPE PR:568,-440, 631,-632, -852
2	991 541 911 08	Windscreen Camera with:	also use: 000 043 305 35	1	COUPE PR:568,-440, -631,632,852
(2)	991 541 911 09	Windscreen Camera with:	also use: 000 043 305 35	1	CABRIO PR:568,-440, 631,632,852
(2)	991 541 911 09	Windscreen Camera with:	also use: 000 043 305 35	1	CABRIO PR:568,-440, 631,-632, -852
(2)	991 541 911 09	Windscreen Camera with:	also use: 000 043 305 35	1	CABRIO PR:568,-440, -631,632,852
(2)	991 541 911 10	Windscreen Camera with:	also use: 000 043 305 35	1	COUPE PR:567,-440, 631,632,852
(2)	991 541 911 10	Windscreen	also use: 000 043 305 35	1	COUPE

Model: 991T13

Model life 2014>>

Pos	Part Number	Description	Remark	Qty	Model
(2)	991 541 911 10	Camera Windscreen	with: also use: 000 043 305 35	1 1	PR:567,-440, 631,-632, -852 COUPE
(2)	991 541 911 11	Camera Windscreen	with: also use: 000 043 305 35	1 1	PR:567,-440, -631,632,852 CABRIO
(2)	991 541 911 11	Camera Windscreen	with: also use: 000 043 305 35	1 1	PR:567,-440, 631,632,852 CABRIO
(2)	991 541 911 11	Camera Windscreen	with: also use: 000 043 305 35	1 1	PR:567,-440, 631,-632, -852 CABRIO
(2)	991 541 911 12	Camera Windscreen	with: also use: 000 043 305 35	1 1	PR:567,-440, -631,632,852 COUPE
(2)	991 541 911 12	Camera Windscreen	with: also use: 000 043 305 35	1 1	PR:568,440, 631,632,852 COUPE
(2)	991 541 911 12	Camera Windscreen	with: also use: 000 043 305 35	1 1	PR:568,440, 631,-632, -852 COUPE
(2)	991 541 911 12	Camera Windscreen	with: also use: 000 043 305 35	1 1	PR:568,440, -631,632,852 COUPE
(2)	991 541 911 13	Camera Windscreen	with: also use: 000 043 305 35	1 1	PR:568,440, 631,632,852 CABRIO
(2)	991 541 911 13	Camera Windscreen	with: also use: 000 043 305 35	1 1	PR:568,440, 631,-632, -852 CABRIO
(2)	991 541 911 13	Camera Windscreen	with: also use: 000 043 305 35	1 1	PR:568,440, -631,632,852 CABRIO
(2)	991 541 911 14	Camera Windscreen	with: also use: 000 043 305 35	1 1	PR:567,440, 631,632,852 COUPE
(2)	991 541 911 14	Camera Windscreen	with: also use: 000 043 305 35	1 1	PR:567,440, 631,-632, -852 COUPE
(2)	991 541 911 14	Camera Windscreen	with: also use: 000 043 305 35	1 1	PR:567,440, -631,632,852 COUPE
(2)	991 541 911 15	Camera Windscreen	with: also use: 000 043 305 35	1 1	PR:567,440, 631,632,852 CABRIO
(2)	991 541 911 15	Camera Windscreen	with: also use: 000 043 305 35	1 1	PR:567,440, 631,-632, -852 CABRIO

Model: 991T13 Model life 2014>>

Pos	Part Number	Description	Remark	Qty	Model
(2)	991 541 911 15	Windscreen with: Camera		1	CABRIO PR:567,440, -631,632,852
3	991 545 911 00	Rear window	also use: 000 043 305 35	1	COUPE PR:426,-XPL, -XPR
3	991 545 911 05	Rear window	also use: 000 043 305 35	1	COUPE PR:426,-XPL, -XPR
(3)	991 545 911 01	Rear window	also use: 000 043 305 35	1	COUPE PR:425,-XPL, -XPR
(3)	991 545 911 03	Rear window	also use: 000 043 305 35	1	COUPE PR:426,XPL, XPR
(3)	991 545 911 04	Rear window	also use: 000 043 305 35	1	COUPE PR:425,XPL, XPR
4		Side window doors			
4	991 542 511 00	Door window	left	1	COUPE
(4)	991 542 512 00	Door window	right	1	COUPE
(4)	991 542 511 01	Door window	left	1	CABRIO
(4)	991 542 512 01	Door window	right	1	CABRIO
5	991 542 551 02	Mount		1	
6		Door window Side window	left right		
6	991 543 111 00	Side window	left	1	COUPE PR:-559,-XPL
(6)	991 543 111 00 03C 991 543 112 00	Black Side window	right	1	COUPE PR:-559,-XPL
(6)	991 543 112 00 03C 991 543 111 02	Black Side window	left	1	COUPE PR:559,-XPL
(6)	991 543 111 02 V09 991 543 112 02	Side window Side window	right	1	COUPE PR:559,-XPL
(6)	991 543 112 02 V09 991 543 111 03	Side window Side window	left	1	COUPE PR:-559,XPL
(6)	991 543 111 03 03C 991 543 112 03	Rally black Side window	right	1	COUPE PR:-559,XPL
(6)	991 543 112 03 03C 991 543 111 04	Rally black Side window	left	1	COUPE PR:559,XPL
(6)	991 543 111 04 V09 991 543 112 04	Alushine Side window	right	1	COUPE PR:559,XPL
7	991 543 112 04 V09 N 015 082 10	Alushine Hexagon collar nut M6 Mount		2	COUPE
8	991 552 571 00	Side window Bracket		1	
9	000 043 301 14	Chassis number Adhesive set		1	
(9)	000 043 303 19	TEROSTAT 8593 Discontinued part Adhesive set		1	

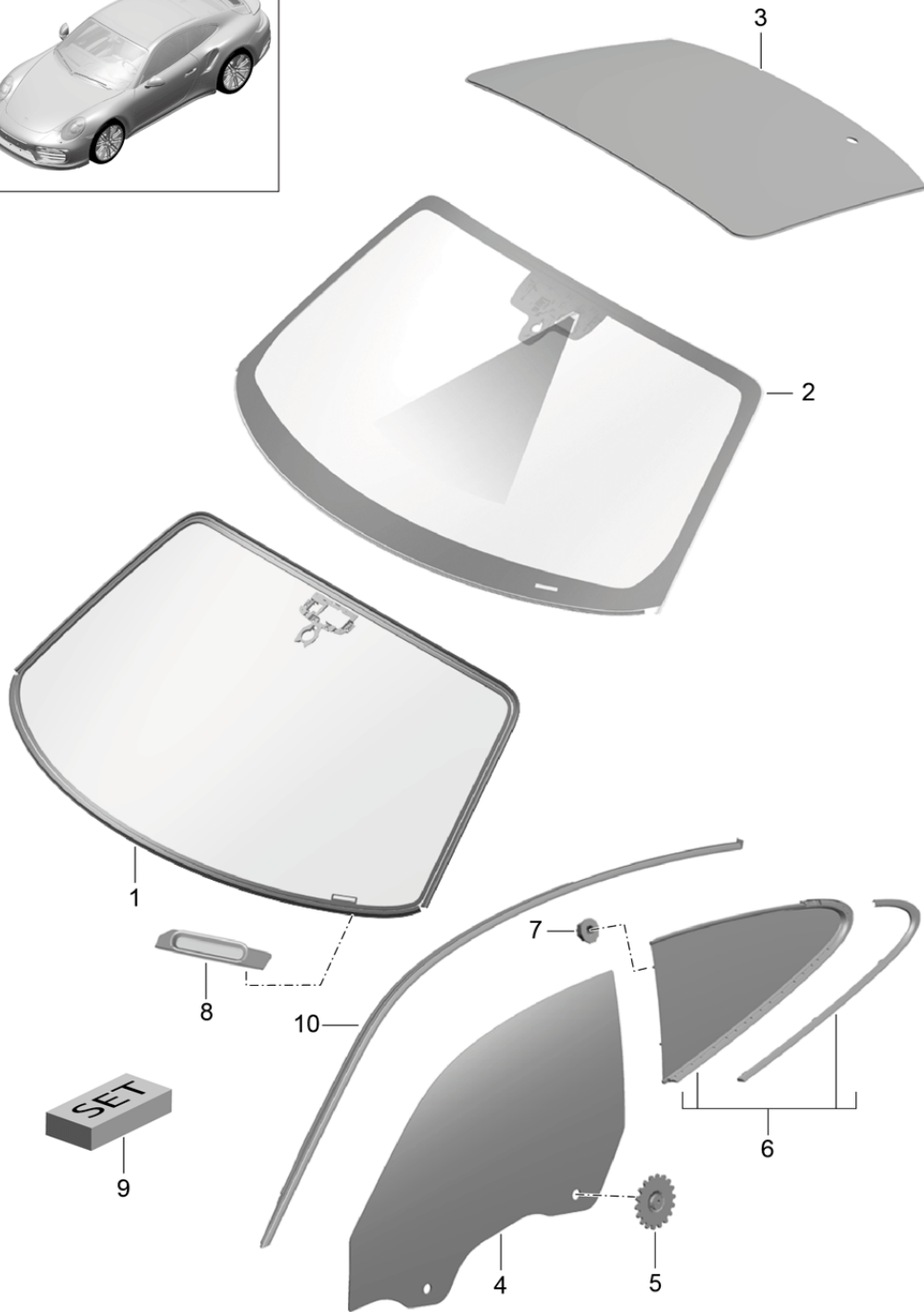
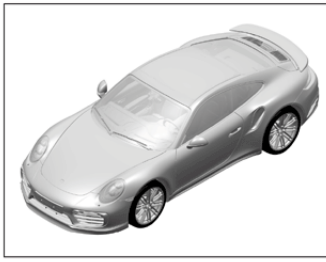
Model: 991T13

Model life 2014>>

Pos	Part Number	Description	Remark	Qty	Model
10		Trim see illustration:	804-010		

Model: 991T13

Model life 2014>>



Model: 991T13

Model life 2014>>

Pos	Part Number	Description	Remark	Qty	Model
1	9P1 845 011	window glazing D - MJ 2017>> Windscreen without: Camera Information on quality Washer Included Tape Filter		1	COUPE PR:568,QU8, QV0,-ER5, -632,-631, -852
(1)	9P1 845 011 A	Windscreen without: Camera also use:	000 043 305 35	1	COUPE PR:567,QU8, QV0,-ER5, -632,-631, -852
(1)	9P1 845 011 B	Windscreen without: Camera also use:	000 043 305 35	1	COUPE PR:567,QU1, QV1,QV3, -ER5,-631, -632,-852
(1)	9P1 845 011 C	Windscreen without: Camera also use:	000 043 305 35	1	COUPE PR:568,QU1, QV1,QV3,ER5, -631,-632, -852
(1)	9P1 845 011 D	Discontinued part Windscreen without: Camera also use:	000 043 305 35	1	COUPE PR:567,QU1, QV1,QV3,ER5, -631,-632, -852
(1)	9P1 845 011 J	Windscreen without: Camera also use:	000 043 305 35	1	CABRIO PR:568,QU8, QV0,-ER5, -631,-632, -852
(1)	9P1 845 011 K	Windscreen without: Camera also use:	000 043 305 35	1	CABRIO PR:567,QU8, QV0,-ER5, -632,-631, -852
(1)	9P1 845 011 L	Windscreen without: Camera also use:	000 043 305 35	1	CABRIO PR:567,QU1, QV1,QV3, -ER5,-852, -632,-631
(1)	9P1 845 011 M	Windscreen without: Camera also use:	000 043 305 35	1	CABRIO PR:568,QU1, QV1,QV3,ER5, -631,-632, -852
(1)	9P1 845 011 N	Windscreen without: Camera also use:	000 043 305 35	1	CABRIO PR:567,QU1, QV1,QV3,ER5, -631,-632, -852
2	9P1 845 011 E	Windscreen with: Camera also use:	000 043 305 35	1	COUPE PR:567,QU8, QV0,-ER5, 852,632,631
2	9P1 845 011 E	Windscreen with:		1	COUPE PR:567,QU8,

Model: 991T13

Model life 2014>>

Pos	Part Number	Description	Remark	Qty	Model
		Camera			QV0,-ER5,
		also use:	000 043 305 35	1	-852,-632,
2	9P1 845 011 E	Windscreen		1	631
		with:			COUPE
		Camera			PR:567,QU8,
(2)	9P1 845 011 F	Windscreen		1	QV0,-ER5,
		also use:	000 043 305 35	1	852,632,-631
		with:			COUPE
		Camera			PR:567,QU1,
(2)	9P1 845 011 F	Windscreen		1	QV1,QV3,
		also use:	000 043 305 35	1	-ER5,632,
		with:			631,852
		Camera			COUPE
(2)	9P1 845 011 F	Windscreen		1	PR:567,QU1,
		with:			QV1,QV3,
		Camera			-ER5,-632,
(2)	9P1 845 011 F	Windscreen		1	631,-852
		also use:	000 043 305 35	1	COUPE
		with:			PR:567,QU1,
		Camera			QV1,QV3,
(2)	9P1 845 011 G	Windscreen		1	-ER5,-632,
		also use:	000 043 305 35	1	631,-852
		with:			COUPE
		Camera			PR:567,QU1,
(2)	9P1 845 011 G	Windscreen		1	QV1,QV3,
		also use:	000 043 305 35	1	-ER5,-632,
		with:			631,-852
		Camera			COUPE
(2)	9P1 845 011 G	Windscreen		1	PR:568,QU1,
		also use:	000 043 305 35	1	QV1,QV3,ER5,
		with:			632,631,852
		Camera			COUPE
(2)	9P1 845 011 G	Windscreen		1	PR:568,QU1,
		also use:	000 043 305 35	1	QV1,QV3,ER5,
		with:			632,631,
		Camera			-852
(2)	9P1 845 011 G	Windscreen		1	COUPE
		also use:	000 043 305 35	1	PR:568,QU1,
		with:			QV1,QV3,ER5,
		Camera			632,-631,852
(2)	9P1 845 011 H	Windscreen		1	COUPE
		also use:	000 043 305 35	1	PR:567,QU1,
		with:			QV1,QV3,ER5,
		Camera			632,631,852
(2)	9P1 845 011 H	Windscreen		1	COUPE
		also use:	000 043 305 35	1	PR:567,QU1,
		with:			QV1,QV3,ER5,
		Camera			-632,631,
(2)	9P1 845 011 H	Windscreen		1	-852
		also use:	000 043 305 35	1	COUPE
		with:			PR:567,QU1,
		Camera			QV1,QV3,ER5,
(2)	9P1 845 011 P	Windscreen		1	632,-631,852
		also use:	000 043 305 35	1	CABRIO
		with:			PR:567,QU8,
		Camera			QV0,-ER5,
(2)	9P1 845 011 P	Windscreen		1	852,632,631
		also use:	000 043 305 35	1	CABRIO
		with:			PR:567,QU8,
		Camera			QV0,-ER5,
(2)	9P1 845 011 P	Windscreen		1	-852,-632,
		also use:	000 043 305 35	1	631
		with:			CABRIO
		Camera			PR:567,QU8,
(2)	9P1 845 011 Q	Windscreen		1	QV0,-ER5,
		also use:	000 043 305 35	1	852,632,-631
		with:			CABRIO
		Camera			PR:567,QU1,



Model: 991T13 Model life 2014>>

Pos	Part Number	Description	Remark	Qty	Model
		Camera			QV1,QV3,
		also use:	000 043 305 35	1	-ER5,632,
(2)	9P1 845 011 Q	Windscreen		1	631,852
		with:			CABRIO
		Camera			PR:567,QU1,
		also use:	000 043 305 35	1	QV1,QV3,
(2)	9P1 845 011 Q	Windscreen		1	-ER5,-632,
		with:			631,-852
		Camera			CABRIO
		also use:	000 043 305 35	1	PR:567,QU1,
(2)	9P1 845 011 R	Windscreen		1	QV1,QV3,
		with:			-ER5,-632,
		Camera			631,852
		also use:	000 043 305 35	1	CABRIO
(2)	9P1 845 011 R	Windscreen		1	PR:568,QU1,
		with:			QV1,QV3,ER5,
		Camera			632,631,852
		also use:	000 043 305 35	1	CABRIO
(2)	9P1 845 011 R	Windscreen		1	PR:568,QU1,
		with:			QV1,QV3,ER5,
		Camera			632,631,
		also use:	000 043 305 35	1	-852
(2)	9P1 845 011 R	Windscreen		1	CABRIO
		with:			PR:568,QU1,
		Camera			QV1,QV3,ER5,
		also use:	000 043 305 35	1	632,-631,852
(2)	9P1 845 011 S	Windscreen		1	CABRIO
		with:			PR:567,QU1,
		Camera			QV1,QV3,ER5,
		also use:	000 043 305 35	1	632,631,852
(2)	9P1 845 011 S	Windscreen		1	CABRIO
		with:			PR:567,QU1,
		Camera			QV1,QV3,ER5,
		also use:	000 043 305 35	1	-632,631,
(2)	9P1 845 011 S	Windscreen		1	-852
		with:			CABRIO
		Camera			PR:567,QU1,
		also use:	000 043 305 35	1	QV1,QV3,ER5,
3	991 545 911 00	Rear window		1	632,-631,852
		also use:	000 043 305 35	1	COUPE
3	991 545 911 05	Rear window		1	PR:426,-XPL,
		also use:	000 043 305 35	1	-XPR
(3)	991 545 911 01	Rear window		1	COUPE
		also use:	000 043 305 35	1	PR:425,-XPL,
(3)	991 545 911 03	Rear window		1	-XPR
		also use:	000 043 305 35	1	COUPE
(3)	991 545 911 04	Rear window		1	PR:426,XPL,
		also use:	000 043 305 35	1	XPR
(3)	991 545 111 80	Rear window		1	COUPE
		also use:	000 043 305 35	1	PR:425,XPL,
(3)	991 545 111 81	Rear window		1	XPR
		also use:	000 043 305 35	1	COUPE
4		Side window doors			
4	991 542 511 03	Door window	left	1	COUPE
(4)	991 542 512 03	Door window	right	1	COUPE
(4)	991 542 511 01	Door window	left	1	CABRIO

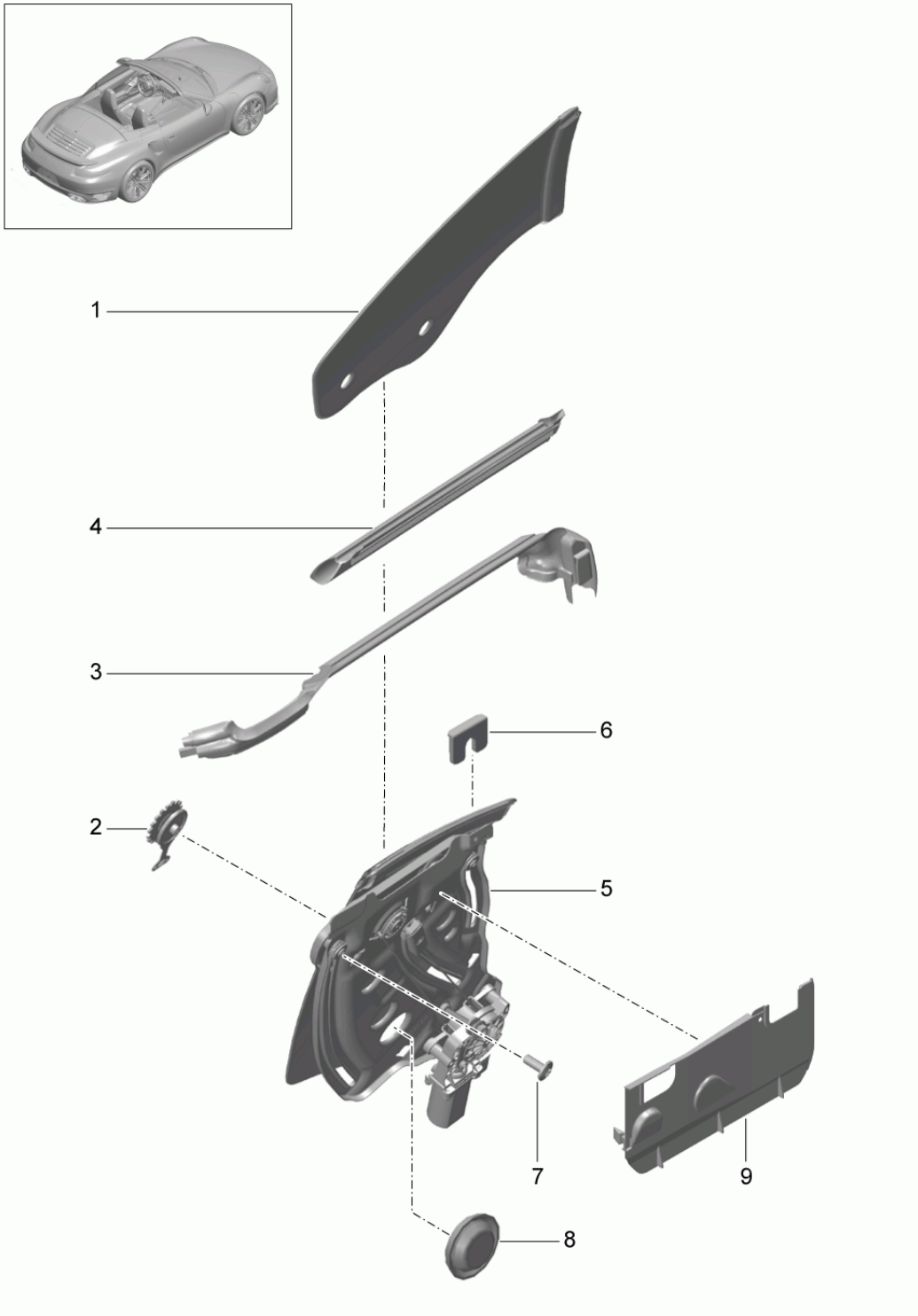
Model: 991T13

Model life 2014>>

Pos	Part Number	Description	Remark	Qty	Model
(4)	991 542 512 01	Door window	right	1	CABRIO
5	991 542 551 04	Mount		1	
6		Door window	left		
		Side window	right		
6	991 543 111 08	Side window	left	1	COUPE PR: -XPL, -559
	991 543 111 08 03C	Rally black			
(6)	991 543 112 08	Side window	right	1	COUPE PR: -XPL, -559
	991 543 112 08 03C	Rally black			
(6)	991 543 111 09	Side window	left	1	COUPE PR: 559, -XPL
	991 543 111 09 V09	Alushine			
(6)	991 543 112 09	Side window	right	1	COUPE PR: 559, -XPL
	991 543 112 09 V09	Alushine			
(6)	991 543 111 10	Side window	left	1	COUPE PR: XPL, -559
	991 543 111 10 03C	Rally black			
(6)	991 543 112 10	Side window	right	1	COUPE PR: XPL, -559
	991 543 112 10 03C	Rally black			
(6)	991 543 111 11	Side window	left	1	COUPE PR: XPL, 559
	991 543 111 11 V09	Alushine			
(6)	991 543 112 11	Side window	right	1	COUPE PR: XPL, 559
	991 543 112 11 V09	Alushine			
(6)	991 543 111 80	Side window	left	1	COUPE
	991 543 111 80 03C	Matt black			
(6)	991 543 112 80	Side window	right	1	COUPE
	991 543 112 80 03C	Matt black			
(6)	991 543 111 81	Side window	left	1	COUPE
	991 543 111 81 03C	Matt black			
(6)	991 543 112 81	Side window	right	1	COUPE
	991 543 112 81 03C	Matt black			
7	N 015 082 10	Hexagon collar nut M6 Mount		2	COUPE
8	991 552 571 00	Side window Bracket		1	
9	000 043 305 35	Chassis number		1	
10		2K pane adhesive set Trim		1	
		see illustration:	804-010		

Model: 991T13

Model life 2014>>



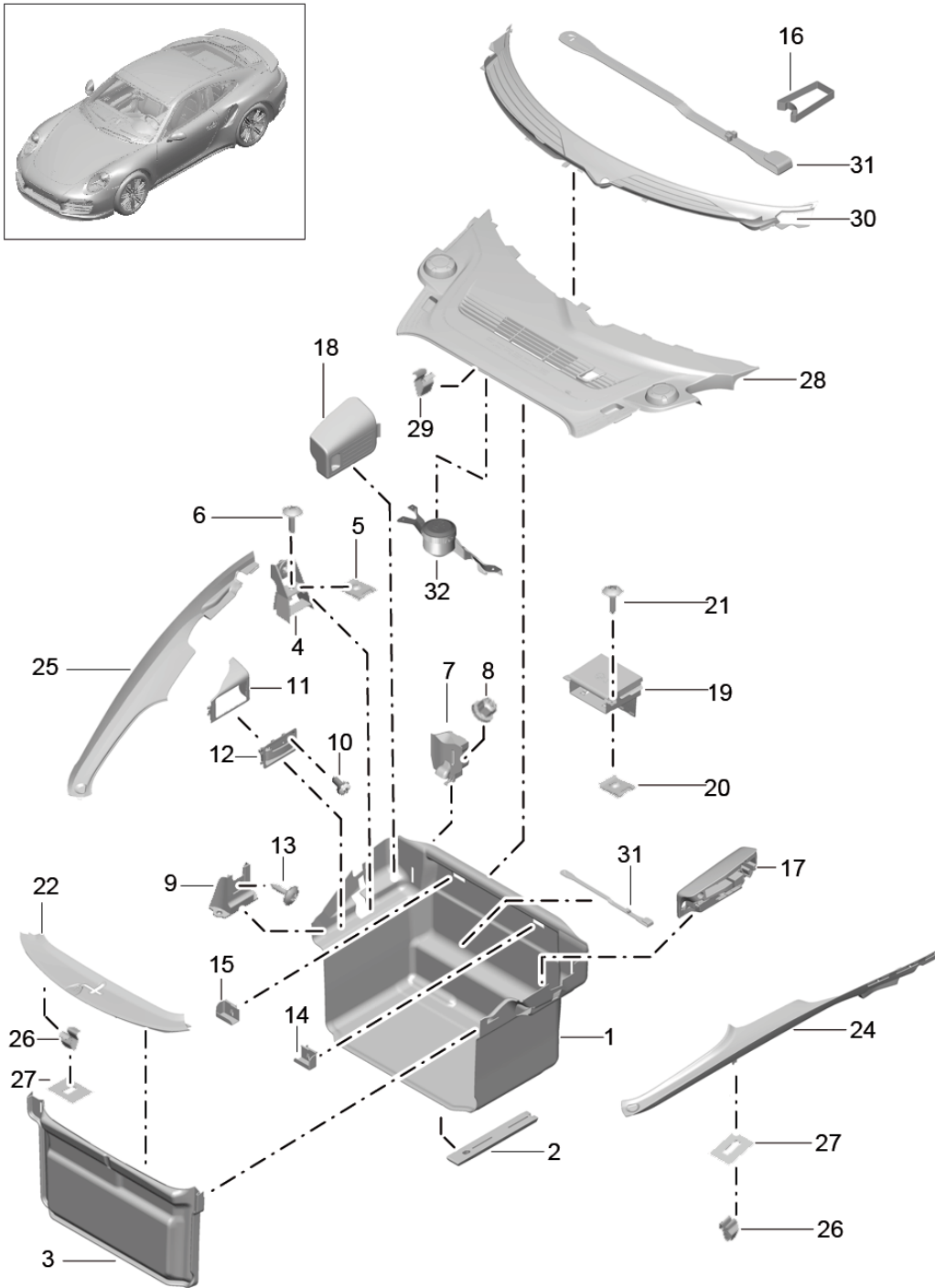
Model: 991T13

Model life 2014>>

Pos	Part Number	Description	Remark	Qty	Model
		Side window			CABRIO
1	991 543 111 06	Side window	left	1	
(1)	991 543 112 06	Side window	right	1	
2	991 543 531 00	Mount		2	
		Side window			
3	991 543 475 01	Seal	left	1	
			outer		
(3)	991 543 476 01	Seal	right	1	
			outer		
4	991 543 477 01	Seal	left	1	
			inner		
(4)	991 543 478 01	Seal	right	1	
			inner		
5	991 543 015 01	Window regulator	left	1	
		Side window			
(5)	991 543 016 01	Window regulator	right	1	
		Side window			
6	991 543 561 00	Distance piece		2	
		Grey			
(6)	991 543 561 01	Distance piece		2	
		white			
(6)	991 543 561 02	Distance piece		2	
		yellow			
(6)	991 543 561 03	Distance piece		2	
		green			
(6)	991 543 561 04	Distance piece		2	
		blue			
(6)	991 543 561 05	Distance piece		2	
		Black			
7	999 073 103 02	flat round head bolt		2	
		M 6 X 16			
8	N 105 151 01	Bungs		1	
		33,0 X 24,5			
9	991 543 479 01	Cover	left	1	
		Window regulator			
(9)	991 543 480 01	Cover	right	1	
		Window regulator			

Model: 991T13

Model life 2014>>



Model: 991T13 Model life 2014>>

Pos	Part Number	Description	Remark	Qty	Model
1	991 551 045 12	Luggage compartment Trim Trim Luggage compartment liner Carpet		1	
(1)	991 551 045 12 A31	Black			
	991 551 045 14	Trim Luggage compartment liner Carpet		1	PR:193
	991 551 045 14 A31	Black			
2	991 551 420 01	Foam part		5	
3	991 551 051 02	Luggage compartment liner Luggage compartment trim Carpet	front	1	
	991 551 051 02 A31	Black			
4	991 551 825 00	Bracket Cover	front	2	
		with:			
5	999 591 348 01	Rubber grommet panel nut ST 4,8		2	
6	999 073 418 01	panel screw 4,8 X 19		2	
7	991 551 823 01	Bracket Cover	left rear	1	
(7)	991 551 824 01	Bracket Cover	right rear	1	
8	999 049 033 40	Plastic nut T6 22 X 10,5		4	
14	991 551 801 01	retaining strap for warning triangle	left	1	
	991 551 801 01 1E0	Black			
15	991 551 802 01	retaining strap for warning triangle	right	1	
	991 551 802 01 1E0	Black			
(15)	999 507 294 40	Fastening screw Clip Bracket warning triangle		2	
16	997 551 741 00	retaining strap for first aid kit		1	
17	991 551 421 04	Cover Tool		1	
	991 551 421 04 1E0	Black			
18	991 551 422 08	Cover Compressed air bottle		1	
	991 551 422 08 1E0	Black			
18	991 551 422 09	Cover Compressed air bottle		1	PR:553
	991 551 422 09 1E0	Black			
19	991 555 575 02	Bracket for compressor		1	
	991 555 575 02 1E0	Black			
20	999 591 348 01	panel nut ST 4,8		2	
21	999 073 418 01	panel screw 4,8 X 19		2	
22	991 555 411 00	Trim lock carrier		1	
	991 555 411 00 1E0	Black			
24	991 555 465 03	Cover Wing strut	left	1	
	991 555 465 03 1E0	Black			
25	991 555 466 03	Cover	right	1	

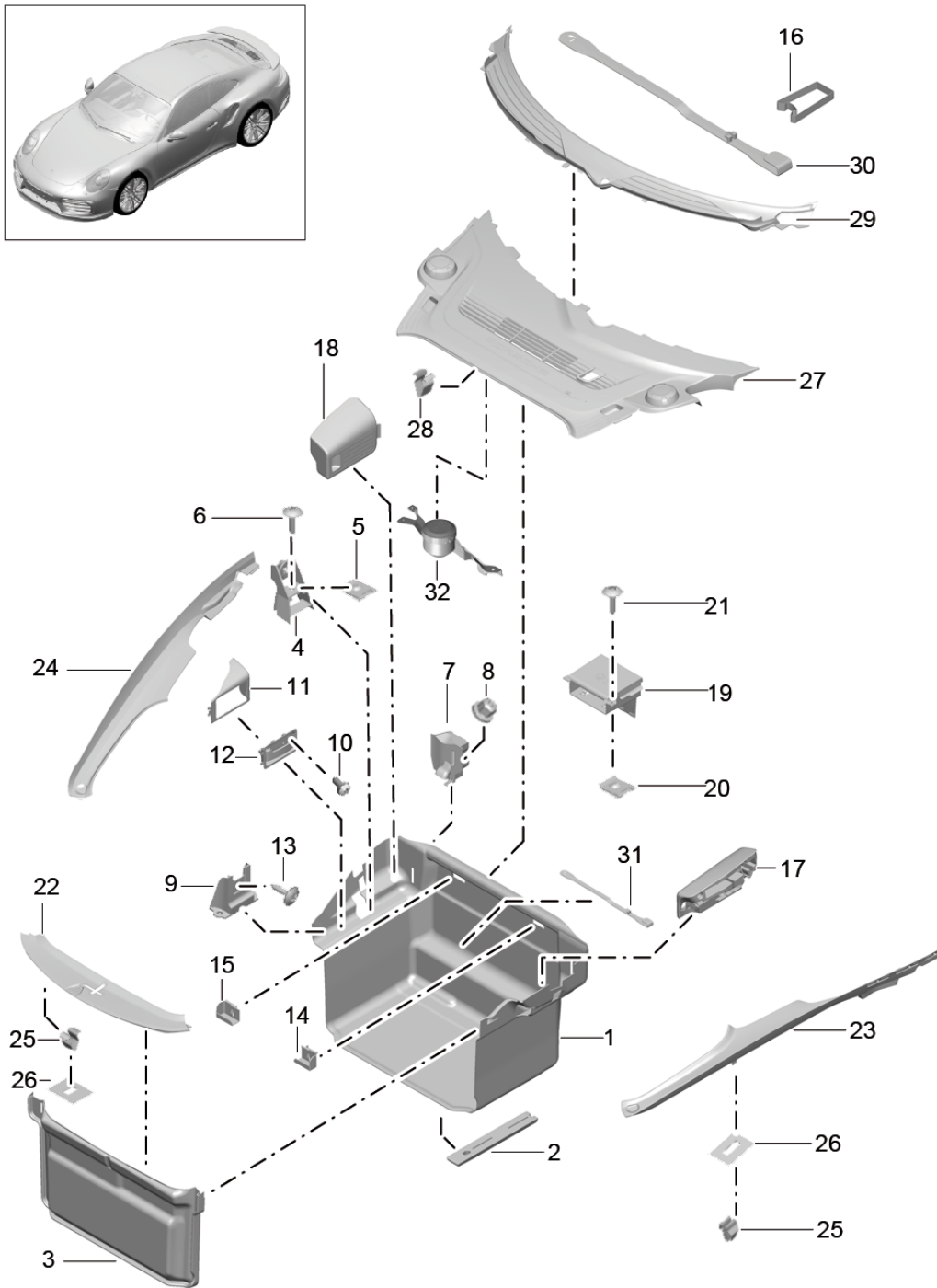
Model: 991T13

Model life 2014>>

Pos	Part Number	Description	Remark	Qty	Model
26	991 555 466 03 1E0	Wing strut Black		5	
	999 507 047 01	Clip Trim			
27	999 209 084 40	Distance piece 20 X 25 X 05		5	
28	991 555 367 06	Cover luggage boot trims	lhd	1	PR:098
	991 555 367 06 1E0	Black			
(28)	991 555 367 07	Cover luggage boot trims	rhd	1	PR:099
(28)	991 555 367 07 1E0	Black		1	PR-098
	991 555 367 70	Cover luggage boot trims			
29	991 555 367 70 1E0	Black		2	
	999 507 839 01	Clip Cover			
30	991 555 563 06	Cover Scuttle	lhd	1	PR:098
	991 555 563 06 1E0	Black			
(30)	991 555 563 07	Cover Scuttle	rhd	1	PR:099
31	991 555 563 07 1E0	Black		1	
	991 555 539 00	Holding strap Cover			
32	991 551 645 00	Technology Support		1	PR:478
	991 551 645 00 1E0	Central locking Black			

Model: 991T13

Model life 2014>>





Model: 991T13 Model life 2014>>

Pos	Part Number	Description	Remark	Qty	Model
1	991 551 045 12	Luggage compartment Trim D - MJ 2017>> Trim		1	PR:-193,-553
(1)	991 551 045 12 A31	Luggage compartment liner Carpet Black		1	PR:193
	991 551 045 14	Trim Luggage compartment liner Carpet		1	
	991 551 045 14 A31	Black		1	
2	991 551 420 01	Foam part		5	
3	991 551 051 02	Luggage compartment liner Luggage compartment trim Carpet	front	1	
	991 551 051 02 A31	Black		1	
4	991 551 825 00	Bracket Cover	front	2	
		with:			
5	999 591 348 01	Rubber grommet panel nut		2	
6	999 073 418 01	ST 4,8 panel screw		2	
7	991 551 823 01	4,8 X 19 Bracket	left	1	
		Cover	rear	1	
(7)	991 551 824 01	Bracket Cover	right rear	1	
8	999 049 033 40	Plastic nut T6 22 X 10,5		4	
14	991 551 801 01	retaining strap for warning triangle	left	1	
	991 551 801 01 1E0	Black		1	PR:-193,-553
15	991 551 802 01	retaining strap for warning triangle	right	1	
	991 551 802 01 1E0	Black		1	PR:-193,-553
(15)	999 507 294 40	Fastening screw Clip Bracket warning triangle		2	PR:-193,-553
16	997 551 741 00	retaining strap for first aid kit		1	PR:1T3
17	991 551 421 04	Cover Tool		1	
	991 551 421 04 1E0	Black		1	PR:-553
18	991 551 422 08	Cover Compressed air bottle		1	
	991 551 422 08 1E0	Black		1	PR:553
(18)	991 551 422 09	Cover Compressed air bottle		1	
	991 551 422 09 1E0	Black		1	
19	991 555 575 04	Bracket for compressor		1	
	991 555 575 04 1E0	Black		1	
20	999 591 348 01	panel nut ST 4,8		2	
21	999 073 418 01	panel screw 4,8 X 19		2	
22	991 555 411 00	Trim lock carrier		1	
	991 555 411 00 1E0	Black		1	
23	991 555 465 03	Cover Wing strut	left	1	
	991 555 465 03 1E0	Black		1	

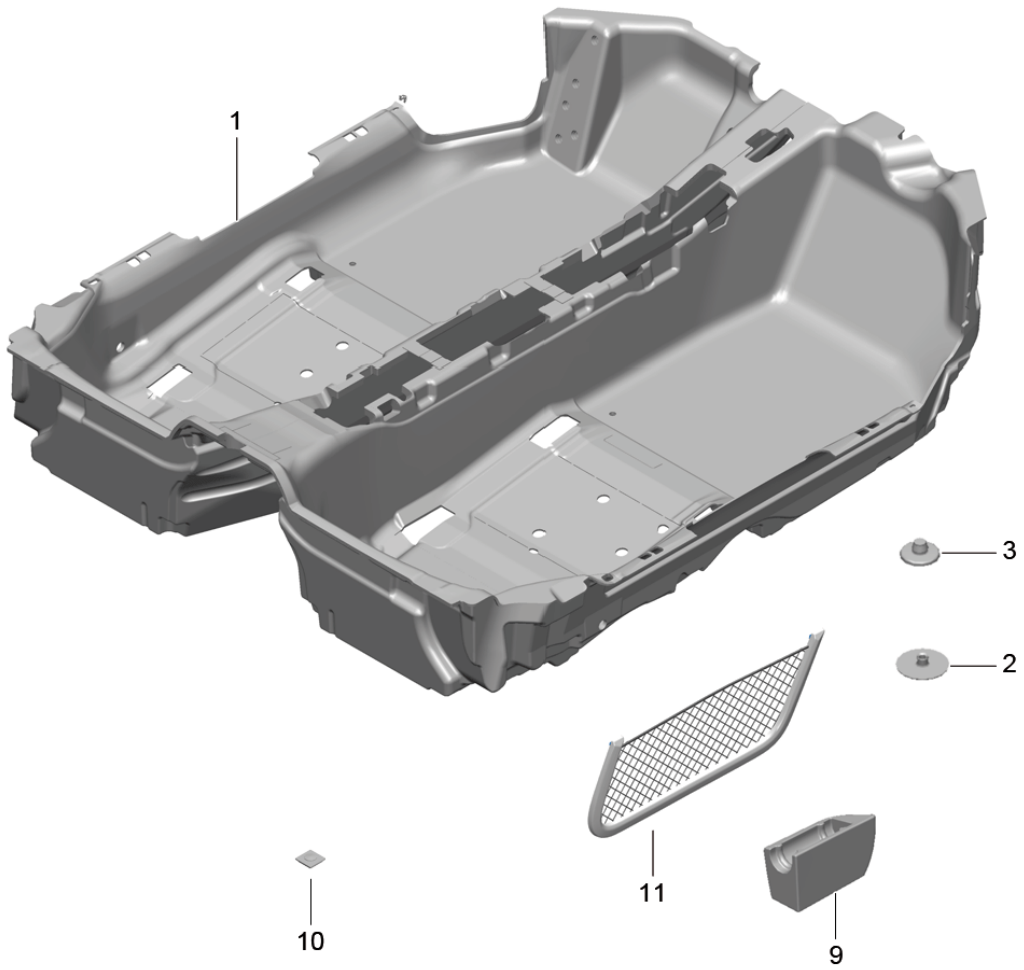
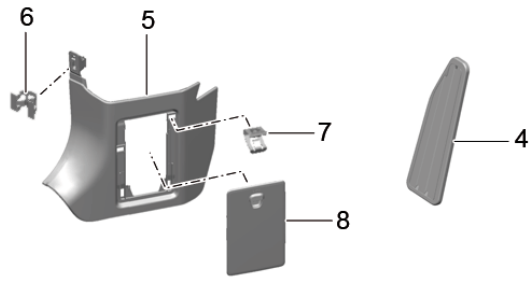
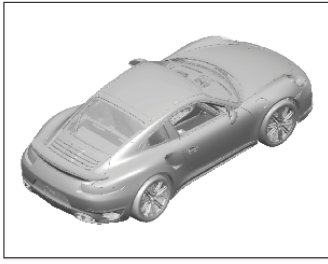
Model: 991T13

Model life 2014>>

Pos	Part Number	Description	Remark	Qty	Model
24	991 555 466 03	Cover Wing strut	right	1	
	991 555 466 03 1E0	Black			
25	999 507 047 01	Clip Trim		5	
26	999 209 084 40	Distance piece 20 X 25 X 05		5	
27	991 555 367 06	Cover Technology	lhd	1	PR:098
	991 555 367 06 1E0	Black			
(27)	991 555 367 07	Cover Technology	rhd	1	PR:099
	991 555 367 07 1E0	Black			
28	999 507 839 01	Clip Cover		2	
29	991 555 563 06	Cover Scuttle	lhd	1	PR:098
	991 555 563 06 1E0	Black			
(29)	991 555 563 07	Cover Scuttle	rhd	1	PR:099
	991 555 563 07 1E0	Black			
30	991 555 539 00	Holding strap Cover Technology		1	
31	991 551 645 00	Support Central locking		1	PR:478
	991 551 645 00 1E0	Black			

Model: 991T13

Model life 2014>>



Model: 991T13

Model life 2014>>

Pos	Part Number	Description	Remark	Qty	Model
1	991 551 011 06	Flooring Linings Flooring (carpet)	lhd	1	COUPE PR:098
	991 551 011 06 GDE	Black	-AZ,BQ		
	991 551 011 06 GEE	Platinum Grey	-CZ		
	991 551 011 06 GFE	Luxor beige	-UZ		
	991 551 011 06 GGE	yachting blue	-EZ		
	991 551 011 06 GHE	agate grey	-DK		
	991 551 011 06 GCE	Black/Platinum Grey	-BR		
	991 551 011 06 GME	Agate Grey/Pebble Grey	-BV		
	991 551 011 06 GKE	Espresso	-NE		
	991 551 011 06 GLE	Carrera Red	-NG		
	991 551 011 06 GJE	Umber	-RK		
	991 551 011 06 GBE	Luxor Beige/Black	-BL		
	991 551 011 06 GRE	Espresso/Cognac	-BH		
(1)	991 551 011 07	Flooring (carpet)	rhd	1	COUPE PR:099
	991 551 011 07 GDE	Black	-AZ,BQ		
	991 551 011 07 GEE	Platinum Grey	-CZ		
	991 551 011 07 GFE	Luxor beige	-UZ		
	991 551 011 07 GGE	yachting blue	-EZ		
	991 551 011 07 GHE	agate grey	-DK		
	991 551 011 07 GCE	Black/Platinum Grey	-BR		
	991 551 011 07 GME	Agate Grey/Pebble Grey	-BV		
	991 551 011 07 GKE	Espresso	-NE		
	991 551 011 07 GLE	Carrera Red	-NG		
	991 551 011 07 GJE	Umber	-RK		
	991 551 011 07 GBE	Luxor Beige/Black	-BL		
	991 551 011 07 GRE	Espresso/Cognac	-BH		
(1)	991 551 011 08	Flooring (carpet)	lhd	1	CABRIO PR:098
	991 551 011 08 GDE	Black	-AZ,BQ		
	991 551 011 08 GEE	Platinum Grey	-CZ		
	991 551 011 08 GFE	Luxor beige	-UZ		
	991 551 011 08 GGE	yachting blue	-EZ		
	991 551 011 08 GHE	agate grey	-DK		
	991 551 011 08 GCE	Black/Platinum Grey	-BR		
	991 551 011 08 GME	Agate Grey/Pebble Grey	-BV		
	991 551 011 08 GKE	Espresso	-NE		
	991 551 011 08 GLE	Carrera Red	-NG		
	991 551 011 08 GJE	Umber	-RK		
	991 551 011 08 GBE	Luxor Beige/Black	-BL		
	991 551 011 08 GRE	Espresso/Cognac	-BH		
(1)	991 551 011 09	Flooring (carpet)	rhd	1	CABRIO PR:099
	991 551 011 09 GDE	Black	-AZ,BQ		
	991 551 011 09 GEE	Platinum Grey	-CZ		
	991 551 011 09 GFE	Luxor beige	-UZ		
	991 551 011 09 GGE	yachting blue	-EZ		
	991 551 011 09 GHE	agate grey	-DK		
	991 551 011 09 GCE	Black/Platinum Grey	-BR		
	991 551 011 09 GME	Agate Grey/Pebble Grey	-BV		
	991 551 011 09 GKE	Espresso	-NE		
	991 551 011 09 GLE	Carrera Red	-NG		
	991 551 011 09 GJE	Umber	-RK		
	991 551 011 09 GBE	Luxor Beige/Black	-BL		
	991 551 011 09 GRE	Espresso/Cognac	-BH		
(1)	991 551 011 14	Flooring (carpet)	lhd	1	Coupe PR:098,581
	991 551 011 14 GDE	Black	-AZ,BQ		
	991 551 011 14 GEE	Platinum Grey	-CZ		
	991 551 011 14 GFE	Luxor beige	-UZ		

Model: 991T13

Model life 2014>>

Pos	Part Number	Description	Remark	Qty	Model	
	991 551 011 14 GGE	yachting blue	-EZ			
	991 551 011 14 GHE	agate grey	-DK			
	991 551 011 14 GCE	Black/Platinum Grey	-BR			
	991 551 011 14 GME	Agate Grey/Pebble Grey	-BV			
	991 551 011 14 GKE	Espresso	-NE			
	991 551 011 14 GLE	Carrera Red	-NG			
	991 551 011 14 GJE	Umber	-RK			
	991 551 011 14 GBE	Luxor Beige/Black	-BL			
	991 551 011 14 GRE	Espresso/Cognac	-BH			
(1)	991 551 011 15	Flooring (carpet)		rhd	1	Coupe PR:099,581
	991 551 011 15 GDE	Black	-AZ,BQ			
	991 551 011 15 GEE	Platinum Grey	-CZ			
	991 551 011 15 GFE	Luxor beige	-UZ			
	991 551 011 15 GGE	yachting blue	-EZ			
	991 551 011 15 GHE	agate grey	-DK			
	991 551 011 15 GCE	Black/Platinum Grey	-BR			
	991 551 011 15 GME	Agate Grey/Pebble Grey	-BV			
	991 551 011 15 GKE	Espresso	-NE			
	991 551 011 15 GLE	Carrera Red	-NG			
	991 551 011 15 GJE	Umber	-RK			
	991 551 011 15 GBE	Luxor Beige/Black	-BL			
	991 551 011 15 GRE	Espresso/Cognac	-BH			
(1)	991 551 011 16	Flooring (carpet)		lhd	1	Cabrio PR:098,581
	991 551 011 16 GDE	Black	-AZ,BQ			
	991 551 011 16 GEE	Platinum Grey	-CZ			
	991 551 011 16 GFE	Luxor beige	-UZ			
	991 551 011 16 GGE	yachting blue	-EZ			
	991 551 011 16 GHE	agate grey	-DK			
	991 551 011 16 GCE	Black/Platinum Grey	-BR			
	991 551 011 16 GME	Agate Grey/Pebble Grey	-BV			
	991 551 011 16 GKE	Espresso	-NE			
	991 551 011 16 GLE	Carrera Red	-NG			
	991 551 011 16 GJE	Umber	-RK			
	991 551 011 16 GBE	Luxor Beige/Black	-BL			
	991 551 011 16 GRE	Espresso/Cognac	-BH			
(1)	991 551 011 17	Flooring (carpet)		rhd	1	Cabrio PR:099,581
	991 551 011 17 GDE	Black	-AZ,BQ			
	991 551 011 17 GEE	Platinum Grey	-CZ			
	991 551 011 17 GFE	Luxor beige	-UZ			
	991 551 011 17 GGE	yachting blue	-EZ			
	991 551 011 17 GHE	agate grey	-DK			
	991 551 011 17 GCE	Black/Platinum Grey	-BR			
	991 551 011 17 GME	Agate Grey/Pebble Grey	-BV			
	991 551 011 17 GKE	Espresso	-NE			
	991 551 011 17 GLE	Carrera Red	-NG			
	991 551 011 17 GJE	Umber	-RK			
	991 551 011 17 GBE	Luxor Beige/Black	-BL			
	991 551 011 17 GRE	Espresso/Cognac	-BH			
(1)	991 551 011 18	Flooring (carpet)		lhd	1	Coupe PR:098,581, 388,389
	991 551 011 18 GDE	Black	-AZ,BQ			
	991 551 011 18 GEE	Platinum Grey	-CZ			
	991 551 011 18 GFE	Luxor beige	-UZ			
	991 551 011 18 GGE	yachting blue	-EZ			
	991 551 011 18 GHE	agate grey	-DK			
	991 551 011 18 GCE	Black/Platinum Grey	-BR			
	991 551 011 18 GME	Agate Grey/Pebble Grey	-BV			
	991 551 011 18 GKE	Espresso	-NE			
	991 551 011 18 GLE	Carrera Red	-NG			

Model: 991T13

Model life 2014>>

Pos	Part Number	Description	Remark	Qty	Model
(1)	991 551 011 18 GJE	Umber	-RK	1	Coupe PR:099,581, 388,389
	991 551 011 18 GBE	Luxor Beige/Black	-BL		
	991 551 011 18 GRE	Espresso/Cognac	-BH		
	991 551 011 19	Flooring (carpet)	rhd		
	991 551 011 19 GDE	Black	-AZ,BQ		
	991 551 011 19 GEE	Platinum Grey	-CZ		
	991 551 011 19 GFE	Luxor beige	-UZ		
	991 551 011 19 GGE	yachting blue	-EZ		
	991 551 011 19 GHE	agate grey	-DK		
	991 551 011 19 GCE	Black/Platinum Grey	-BR		
	991 551 011 19 GME	Agate Grey/Pebble Grey	-BV		
	991 551 011 19 GKE	Espresso	-NE		
	991 551 011 19 GLE	Carrera Red	-NG		
(1)	991 551 011 19 GJE	Umber	-RK	1	Cabrio PR:098,581, 388,389
	991 551 011 19 GBE	Luxor Beige/Black	-BL		
	991 551 011 19 GRE	Espresso/Cognac	-BH		
	991 551 011 20	Flooring (carpet)	lhd		
	991 551 011 20 GDE	Black	-AZ,BQ		
	991 551 011 20 GEE	Platinum Grey	-CZ		
	991 551 011 20 GFE	Luxor beige	-UZ		
	991 551 011 20 GGE	yachting blue	-EZ		
	991 551 011 20 GHE	agate grey	-DK		
	991 551 011 20 GCE	Black/Platinum Grey	-BR		
	991 551 011 20 GME	Agate Grey/Pebble Grey	-BV		
	991 551 011 20 GKE	Espresso	-NE		
	991 551 011 20 GLE	Carrera Red	-NG		
(1)	991 551 011 20 GJE	Umber	-RK	1	Cabrio PR:099,581, 388,389
	991 551 011 20 GBE	Luxor Beige/Black	-BL		
	991 551 011 20 GRE	Espresso/Cognac	-BH		
	991 551 011 21	Flooring (carpet)	rhd		
	991 551 011 21 GDE	Black	-AZ,BQ		
	991 551 011 21 GEE	Platinum Grey	-CZ		
	991 551 011 21 GFE	Luxor beige	-UZ		
	991 551 011 21 GGE	yachting blue	-EZ		
	991 551 011 21 GHE	agate grey	-DK		
	991 551 011 21 GCE	Black/Platinum Grey	-BR		
	991 551 011 21 GME	Agate Grey/Pebble Grey	-BV		
	991 551 011 21 GKE	Espresso	-NE		
	991 551 011 21 GLE	Carrera Red	-NG		
(1)	991 551 011 21 GJE	Umber	-RK	1	Coupe PR:098,388, 389
	991 551 011 21 GBE	Luxor Beige/Black	-BL		
	991 551 011 21 GRE	Espresso/Cognac	-BH		
	991 551 011 22	Flooring (carpet)	lhd		
	991 551 011 22 GDE	Black	-AZ,BQ		
	991 551 011 22 GEE	Platinum Grey	-CZ		
	991 551 011 22 GFE	Luxor beige	-UZ		
	991 551 011 22 GGE	yachting blue	-EZ		
	991 551 011 22 GHE	agate grey	-DK		
	991 551 011 22 GCE	Black/Platinum Grey	-BR		
	991 551 011 22 GME	Agate Grey/Pebble Grey	-BV		
	991 551 011 22 GKE	Espresso	-NE		
	991 551 011 22 GLE	Carrera Red	-NG		
(1)	991 551 011 22 GJE	Umber	-RK	1	Coupe PR:098,388, 389
	991 551 011 22 GBE	Luxor Beige/Black	-BL		
	991 551 011 22 GRE	Espresso/Cognac	-BH		
	991 551 011 22 GDE	Black	-AZ,BQ		
	991 551 011 22 GEE	Platinum Grey	-CZ		
	991 551 011 22 GFE	Luxor beige	-UZ		
	991 551 011 22 GGE	yachting blue	-EZ		
991 551 011 22 GHE	agate grey	-DK			
991 551 011 22 GCE	Black/Platinum Grey	-BR			
991 551 011 22 GME	Agate Grey/Pebble Grey	-BV			
991 551 011 22 GKE	Espresso	-NE			
991 551 011 22 GLE	Carrera Red	-NG			
991 551 011 22 GJE	Umber	-RK			
991 551 011 22 GBE	Luxor Beige/Black	-BL			
991 551 011 22 GRE	Espresso/Cognac	-BH			

Model: 991T13

Model life 2014>>

Pos	Part Number	Description	Remark	Qty	Model
(1)	991 551 011 23	Flooring (carpet)	rhd	1	Coupe PR:099,388, 389
	991 551 011 23 GDE	Black	-AZ,BQ		
	991 551 011 23 GEE	Platinum Grey	-CZ		
	991 551 011 23 GFE	Luxor beige	-UZ		
	991 551 011 23 GGE	yachting blue	-EZ		
	991 551 011 23 GHE	agate grey	-DK		
	991 551 011 23 GCE	Black/Platinum Grey	-BR		
	991 551 011 23 GME	Agate Grey/Pebble Grey	-BV		
	991 551 011 23 GKE	Espresso	-NE		
	991 551 011 23 GLE	Carrera Red	-NG		
	991 551 011 23 GJE	Umber	-RK		
	991 551 011 23 GBE	Luxor Beige/Black	-BL		
	991 551 011 23 GRE	Espresso/Cognac	-BH		
(1)	991 551 011 24	Flooring (carpet)	lhd	1	Cabrio PR:098,388, 389
	991 551 011 24 GDE	Black	-AZ,BQ		
	991 551 011 24 GEE	Platinum Grey	-CZ		
	991 551 011 24 GFE	Luxor beige	-UZ		
	991 551 011 24 GGE	yachting blue	-EZ		
	991 551 011 24 GHE	agate grey	-DK		
	991 551 011 24 GCE	Black/Platinum Grey	-BR		
	991 551 011 24 GME	Agate Grey/Pebble Grey	-BV		
	991 551 011 24 GKE	Espresso	-NE		
	991 551 011 24 GLE	Carrera Red	-NG		
	991 551 011 24 GJE	Umber	-RK		
	991 551 011 24 GBE	Luxor Beige/Black	-BL		
	991 551 011 24 GRE	Espresso/Cognac	-BH		
(1)	991 551 011 25	Flooring (carpet)	rhd	1	Cabrio PR:099,388, 389
	991 551 011 25 GDE	Black	-AZ,BQ		
	991 551 011 25 GEE	Platinum Grey	-CZ		
	991 551 011 25 GFE	Luxor beige	-UZ		
	991 551 011 25 GGE	yachting blue	-EZ		
	991 551 011 25 GHE	agate grey	-DK		
	991 551 011 25 GCE	Black/Platinum Grey	-BR		
	991 551 011 25 GME	Agate Grey/Pebble Grey	-BV		
	991 551 011 25 GKE	Espresso	-NE		
	991 551 011 25 GLE	Carrera Red	-NG		
	991 551 011 25 GJE	Umber	-RK		
	991 551 011 25 GBE	Luxor Beige/Black	-BL		
	991 551 011 25 GRE	Espresso/Cognac	-BH		
2	955 551 227 02	Bracket		4	
3	8E0 864 229	Flooring Cover cap		4	
	8E0 864 229 1E0	Discontinued part Black	-AZ, BR, BL, BA, BQ		
	8E0 864 229 6L0	Platinum Grey	-CZ		
	8E0 864 229 4H0	Luxor beige	-UZ		
	8E0 864 229 2F0	yachting blue	-EZ		
	8E0 864 229 OP1	agate grey	-DK, BV		
	8E0 864 229 7N0	Espresso	-NE, BH		
	8E0 864 229 OW5	Carrera Red	-NG		
	8E0 864 229 DE1	Umber	-RK		
4	991 551 611 01	Cover for footrest	lhd	1	PR:098
	991 551 611 01 1E0	Black			
(4)	991 551 612 01	Cover for footrest	rhd	1	PR:099
	991 551 612 01 1E0	Black			

Model: 991T13

Model life 2014&gt;&gt;

Pos	Part Number	Description	Remark	Qty	Model
(4)	991 551 987 00	Cover for footrest Black		1	PR:XXZ,098
5	991 555 101 01	Trim Fuse box	left	1	
	991 555 101 01 A75	Black	-AZ,BQ		
	991 555 101 01 D75	Platinum Grey	-CZ,BR		
	991 555 101 01 T75	Luxor beige	-UZ,BL		
	991 555 101 01 G75	yachting blue	-EZ		
	991 555 101 01 C75	agate grey	-DK		
	991 555 101 01 E75	flint grey	-BV		
	991 555 101 01 R75	Espresso	-NE		
	991 555 101 01 N10	Carrera Red	-NG,BA		
	991 555 101 01 S75	Umber	-RK		
	991 555 101 01 Q75	Cognac	-BH		
(5)	991 555 102 01	Trim Fuse box	right	1	
	991 555 102 01 A75	Black	-AZ,BQ		
	991 555 102 01 D75	Platinum Grey	-CZ,BR		
	991 555 102 01 T75	Luxor beige	-UZ,BL		
	991 555 102 01 G75	yachting blue	-EZ		
	991 555 102 01 C75	agate grey	-DK		
	991 555 102 01 E75	flint grey	-BV		
	991 555 102 01 R75	Espresso	-NE		
	991 555 102 01 N10	Carrera Red	-NG,BA		
	991 555 102 01 S75	Umber	-RK		
	991 555 102 01 Q75	Cognac	-BH		
6	999 507 533 02	Clamp 8,0 X 10,0		2	
7	999 507 552 01	Spring clip 9,0 X 13,0		4	
8	991 555 621 02	Cover trim Fuse box	left	1	
	991 555 621 02 1E0	Black	-AZ,BQ		
	991 555 621 02 4H0	Luxor beige	-UZ,BL		
	991 555 621 02 OV4	flint grey	-BV		
	991 555 621 02 8P0	Cognac	-BH		
	991 555 621 02 6L0	Platinum Grey	-CZ,BR		
	991 555 621 02 2F0	yachting blue	-EZ		
	991 555 621 02 OP1	agate grey	-DK		
	991 555 621 02 DE1	Umber	-RK		
	991 555 621 02 7N0	Espresso	-NE		
	991 555 621 02 OW5	Carrera Red	-NG,BA		
8	991 555 622 02	Cover trim Fuse box	right	1	
	991 555 622 02 1E0	Black	-AZ,BQ		
	991 555 622 02 4H0	Luxor beige	-UZ,BL		
	991 555 622 02 OV4	Black/pebble grey	-BV		
	991 555 622 02 8P0	Black/cognac	-BH		
	991 555 622 02 6L0	Platinum Grey	-CZ,BR		
	991 555 622 02 2F0	Black/yachting blue	-EZ		
	991 555 622 02 OP1	Black/agate grey	-DK		
	991 555 622 02 DE1	Black/umbra	-RK		
	991 555 622 02 7N0	Black/espresso	-NE		
	991 555 622 02 OW5	Carrera Red	-NG,BA		
9	991 555 718 00	Bracket Warning light		1	PR:193
10	999 902 059 40	Holding strap Fuse box		2	
11	981 551 547 00	A-pillar Luggage net tunnel		1	
	981 551 547 00 1E0	Black	-AZ,BQ		
	981 551 547 00 6L0	Platinum Grey	-CZ,BR		



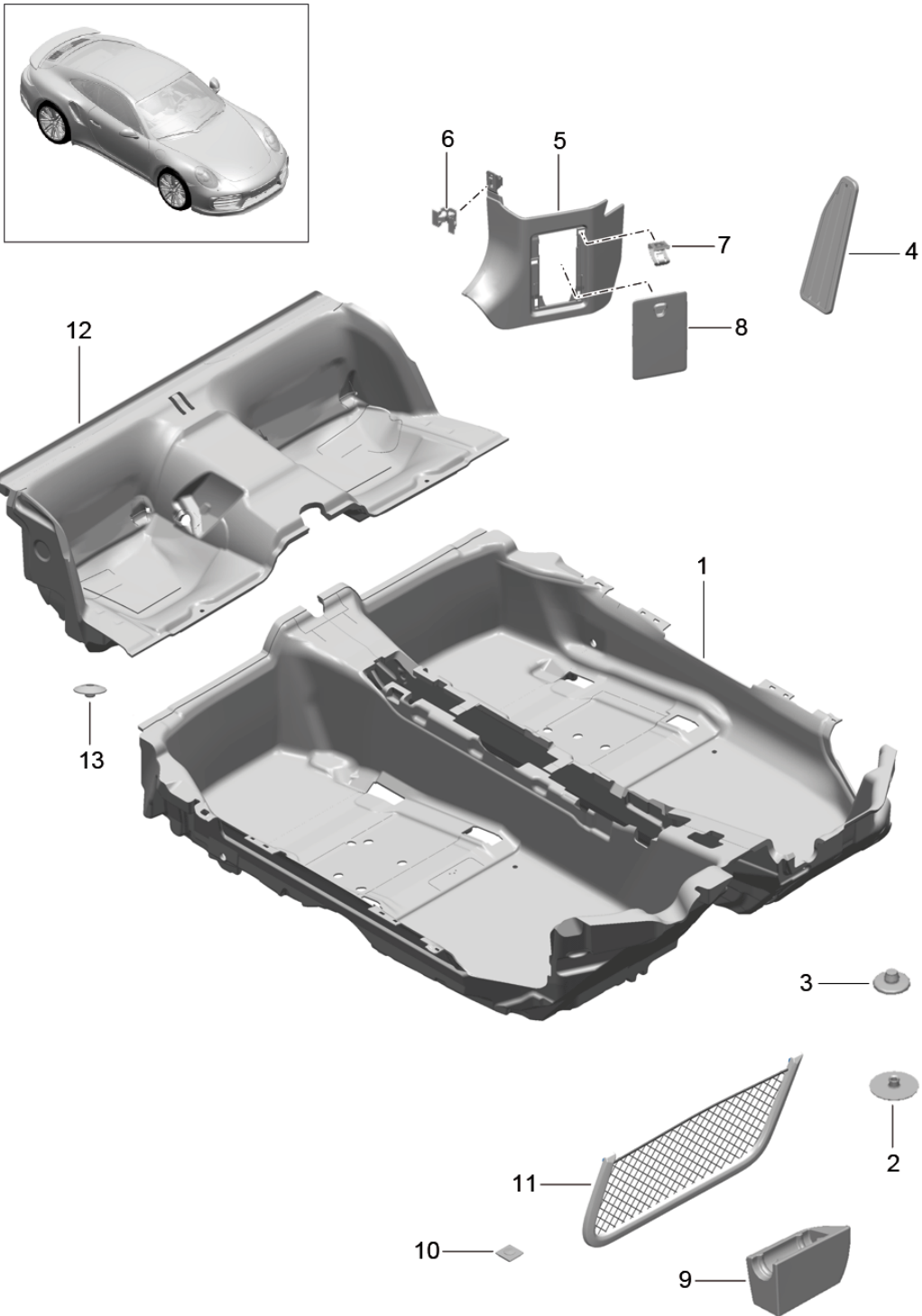
Model: 991T13

Model life 2014>>

Pos	Part Number	Description	Remark	Qty	Model
	981 551 547 00 4H0	Luxor beige	-UZ, BL		
	981 551 547 00 2F0	yachting blue	-EZ		
	981 551 547 00 OP1	agate grey	-DK		
	981 551 547 00 OV4	flint grey	-BV		
	981 551 547 00 7N0	Espresso	-NE		
	981 551 547 00 OW5	Carrera Red	-NG, BA		
	981 551 547 00 8P0	Cognac	-BH		
(11)	981 551 548 00	Luggage net tunnel		1	
	981 551 548 00 1E0	Black	-AZ, BQ		
	981 551 548 00 6L0	Platinum Grey	-CZ, BR		
	981 551 548 00 4H0	Luxor beige	-UZ, BL		
	981 551 548 00 2F0	yachting blue	-EZ		
	981 551 548 00 OP1	agate grey	-DK		
	981 551 548 00 OV4	flint grey	-BV		
	981 551 548 00 7N0	Espresso	-NE		
	981 551 548 00 OW5	Carrera Red	-NG, BA		
	981 551 548 00 8P0	Cognac	-BH		
12	991 551 616 04	Bracket Flooring		1	PR:098

Model: 991T13

Model life 2014>>



Model: 991T13

Model life 2014>>

Pos	Part Number	Description	Remark	Qty	Model
1	991 551 011 06	Flooring Linings D - MJ 2017>> Flooring (carpet)	lhd	1	COUPE PR:098,-388, -389,-581
	991 551 011 06 GDE	Black	-AZ,BT,BM,TD		
	991 551 011 06 GHE	agate grey	-FZ		
	991 551 011 06 GTE	Graphite Blue	-HZ,BG,TG		
	991 551 011 06 GIE	saddle brown	-SZ		
	991 551 011 06 GFE	Luxor beige	-UZ		
	991 551 011 06 GUE	Bordeaux red	-LZ		
	991 551 011 06 GKE	Espresso	-NE,BY		
(1)	991 551 011 07	Flooring (carpet)	rhd	1	COUPE PR:099,-388, -389,-581
	991 551 011 07 GDE	Black	-AZ,BT,BM,TD		
	991 551 011 07 GHE	agate grey	-FZ		
	991 551 011 07 GTE	Graphite Blue	-HZ,BG,TG		
	991 551 011 07 GIE	saddle brown	-SZ		
	991 551 011 07 GFE	Luxor beige	-UZ		
	991 551 011 07 GUE	Bordeaux red	-LZ		
	991 551 011 07 GKE	Espresso	-NE,BY		
(1)	991 551 011 08	Flooring (carpet)	lhd	1	CABRIO PR:098,-388, -389,-581
	991 551 011 08 GDE	Black	-AZ,BT,BM,TD		
	991 551 011 08 GHE	agate grey	-FZ		
	991 551 011 08 GTE	Graphite Blue	-HZ,BG,TG		
	991 551 011 08 GIE	saddle brown	-SZ		
	991 551 011 08 GFE	Luxor beige	-UZ		
	991 551 011 08 GUE	Bordeaux red	-LZ		
	991 551 011 08 GKE	Espresso	-NE,BY		
(1)	991 551 011 09	Flooring (carpet)	rhd	1	CABRIO PR:099,-388, -389,-581
	991 551 011 09 GDE	Black	-AZ,BT,BM,TD		
	991 551 011 09 GHE	agate grey	-FZ		
	991 551 011 09 GTE	Graphite Blue	-HZ,BG,TG		
	991 551 011 09 GIE	saddle brown	-SZ		
	991 551 011 09 GFE	Luxor beige	-UZ		
	991 551 011 09 GUE	Bordeaux red	-LZ		
	991 551 011 09 GKE	Espresso	-NE,BY		
(1)	991 551 011 14	Flooring (carpet)	lhd	1	Coupe PR:098,581, -388,-389
	991 551 011 14 GDE	Black	-AZ,BT,BM,TD, 60		
	991 551 011 14 GHE	agate grey	-FZ		
	991 551 011 14 GTE	Graphite Blue	-HZ,BG,TG		
	991 551 011 14 GIE	saddle brown	-SZ		
	991 551 011 14 GFE	Luxor beige	-UZ		
	991 551 011 14 GUE	Bordeaux red	-LZ		
	991 551 011 14 GKE	Espresso	-NE,BY		
(1)	991 551 011 15	Flooring (carpet)	rhd	1	Coupe PR:099,581, -388,-389, 098
	991 551 011 15 GDE	Black	-AZ,BT,BM,TD, 60		
	991 551 011 15 GHE	agate grey	-FZ		
	991 551 011 15 GTE	Graphite Blue	-HZ,BG,TG		
	991 551 011 15 GIE	saddle brown	-SZ		

Model: 991T13 Model life 2014>>

Pos	Part Number	Description	Remark	Qty	Model			
(1)	991 551 011 15 GFE	Luxor beige	-UZ	1	Cabrio PR:098,581, -388,-389			
	991 551 011 15 GUE	Bordeaux red	-LZ					
	991 551 011 15 GKE	Espresso	-NE,BY					
	991 551 011 16	Flooring (carpet)	lhd					
	991 551 011 16 GDE	Black	-AZ,BT,BM,TD					
	991 551 011 16 GHE	agate grey	-FZ					
	991 551 011 16 GTE	Graphite Blue	-HZ,BG,TG					
	991 551 011 16 GIE	saddle brown	-SZ					
	991 551 011 16 GFE	Luxor beige	-UZ					
	991 551 011 16 GUE	Bordeaux red	-LZ					
(1)	991 551 011 16 GKE	Espresso	-NE,BY	1	Cabrio PR:099,581, -388,-389			
	991 551 011 17	Flooring (carpet)	rhd					
	991 551 011 17 GDE	Black	-AZ,BT,BM,TD					
	991 551 011 17 GHE	agate grey	-FZ					
	991 551 011 17 GTE	Graphite Blue	-HZ,BG,TG					
	991 551 011 17 GIE	saddle brown	-SZ					
	991 551 011 17 GFE	Luxor beige	-UZ					
	991 551 011 17 GUE	Bordeaux red	-LZ					
	991 551 011 17 GKE	Espresso	-NE,BY					
	(1)	991 551 011 18	Flooring (carpet)			lhd	1	Coupe PR:098,581, 388,389
991 551 011 18 GDE		Black	-AZ,BT,BM,TD					
991 551 011 18 GHE		agate grey	-FZ					
991 551 011 18 GTE		Graphite Blue	-HZ,BG,TG					
991 551 011 18 GIE		saddle brown	-SZ					
991 551 011 18 GFE		Luxor beige	-UZ					
991 551 011 18 GUE		Bordeaux red	-LZ					
991 551 011 18 GKE		Espresso	-NE,BY					
(1)		991 551 011 19	Flooring (carpet)	rhd	1	Coupe PR:099,581, 388,389		
		991 551 011 19 GDE	Black	-AZ,BT,BM,TD				
	991 551 011 19 GHE	agate grey	-FZ					
	991 551 011 19 GTE	Graphite Blue	-HZ,BG,TG					
	991 551 011 19 GIE	saddle brown	-SZ					
	991 551 011 19 GFE	Luxor beige	-UZ					
	991 551 011 19 GUE	Bordeaux red	-LZ					
	991 551 011 19 GKE	Espresso	-NE,BY					
	(1)	991 551 011 20	Flooring (carpet)	lhd			1	Cabrio PR:098,581, 388,389
		991 551 011 20 GDE	Black	-AZ,BT,BM				
991 551 011 20 GHE		agate grey	-FZ					
991 551 011 20 GTE		Graphite Blue	-HZ,BG					
991 551 011 20 GIE		saddle brown	-SZ					
991 551 011 20 GFE		Luxor beige	-UZ					
991 551 011 20 GUE		Bordeaux red	-LZ					
991 551 011 20 GKE		Espresso	-NE,BY					
(1)		991 551 011 21	Flooring (carpet)	rhd	1	Cabrio PR:099,581, 388,389		
		991 551 011 21 GDE	Black	-AZ,BT,BM				
	991 551 011 21 GHE	agate grey	-FZ					
	991 551 011 21 GTE	Graphite Blue	-HZ,BG					
	991 551 011 21 GIE	saddle brown	-SZ					
	991 551 011 21 GFE	Luxor beige	-UZ					
	991 551 011 21 GUE	Bordeaux red	-LZ					
	991 551 011 21 GKE	Espresso	-NE,BY					
	(1)	991 551 011 21	Flooring (carpet)	rhd			1	Cabrio PR:099,581, 388,389
		991 551 011 21 GDE	Black	-AZ,BT,BM				
991 551 011 21 GHE		agate grey	-FZ					
991 551 011 21 GTE		Graphite Blue	-HZ,BG					
991 551 011 21 GIE		saddle brown	-SZ					
991 551 011 21 GFE		Luxor beige	-UZ					
991 551 011 21 GUE		Bordeaux red	-LZ					
991 551 011 21 GKE		Espresso	-NE,BY					

Model: 991T13

Model life 2014>>

Pos	Part Number	Description	Remark	Qty	Model
(1)	991 551 011 22	Flooring (carpet)	lhd	1	Coupe PR:098,388, 389,-581
	991 551 011 22 GDE	Black	-AZ,BT,BM,TD		
	991 551 011 22 GHE	agate grey	-FZ		
	991 551 011 22 GTE	Graphite Blue	-HZ,BG,TG		
	991 551 011 22 GIE	saddle brown	-SZ		
	991 551 011 22 GFE	Luxor beige	-UZ		
	991 551 011 22 GUE	Bordeaux red	-LZ		
	991 551 011 22 GKE	Espresso	-NE,BY		
(1)	991 551 011 23	Flooring (carpet)	rhd	1	Coupe PR:099,388, 389
	991 551 011 23 GDE	Black	-AZ,BT,BM,TD		
	991 551 011 23 GHE	agate grey	-FZ		
	991 551 011 23 GTE	Graphite Blue	-HZ,BG,TG		
	991 551 011 23 GIE	saddle brown	-SZ		
	991 551 011 23 GFE	Luxor beige	-UZ		
	991 551 011 23 GUE	Bordeaux red	-LZ		
	991 551 011 23 GKE	Espresso	-NE,BY		
(1)	991 551 011 24	Flooring (carpet)	lhd	1	Cabrio PR:098,388, 389,-581
	991 551 011 24 GDE	Black	-AZ,BT,BM		
	991 551 011 24 GHE	agate grey	-FZ		
	991 551 011 24 GTE	Graphite Blue	-HZ,BG		
	991 551 011 24 GIE	saddle brown	-SZ		
	991 551 011 24 GFE	Luxor beige	-UZ		
	991 551 011 24 GUE	Bordeaux red	-LZ		
	991 551 011 24 GKE	Espresso	-NE,BY		
(1)	991 551 011 25	Flooring (carpet)	rhd	1	Cabrio PR:099,388, 389,-581
	991 551 011 25 GDE	Black	-AZ,BT,BM		
	991 551 011 25 GHE	agate grey	-FZ		
	991 551 011 25 GTE	Graphite Blue	-HZ,BG		
	991 551 011 25 GIE	saddle brown	-SZ		
	991 551 011 25 GFE	Luxor beige	-UZ		
	991 551 011 25 GUE	Bordeaux red	-LZ		
	991 551 011 25 GKE	Espresso	-NE,BY		
2	955 551 227 02	Bracket		4	
3	955 551 229 02	Cover cap		4	
	955 551 229 02 1E0	Flooring			
	955 551 229 02 OP1	Black	-AZ,BT,BM,TD		
	955 551 229 02 OH7	agate grey	-FZ		
	955 551 229 02 OM8	Graphite Blue	-HZ,BG,TG		
	955 551 229 02 4H0	saddle brown	-SZ		
	955 551 229 02 OG6	Luxor beige	-UZ		
	955 551 229 02 7N0	saddle brown	-LZ		
	955 551 229 02 7N0	Espresso	-NE,BY		
4	991 551 611 01	Cover for footrest	lhd	1	PR:098,-XXZ
	991 551 611 01 1E0	Black			
(4)	991 551 612 01	Cover for footrest	rhd	1	PR:099
	991 551 612 01 1E0	Black			
(4)	991 551 987 00	Cover for footrest		1	PR:XXZ,098
		Black			
5	991 555 101 01	Trim	left	1	
		Fuse box			
	991 555 101 01 A75	Black	-AZ,BT,BM,TD		
	991 555 101 01 C75	agate grey	-FZ		
	991 555 101 01 OH7	Black/graphite blue	-HZ,BG,TG		
	991 555 101 01 CH6	saddle brown	-SZ		

Model: 991T13 Model life 2014>>

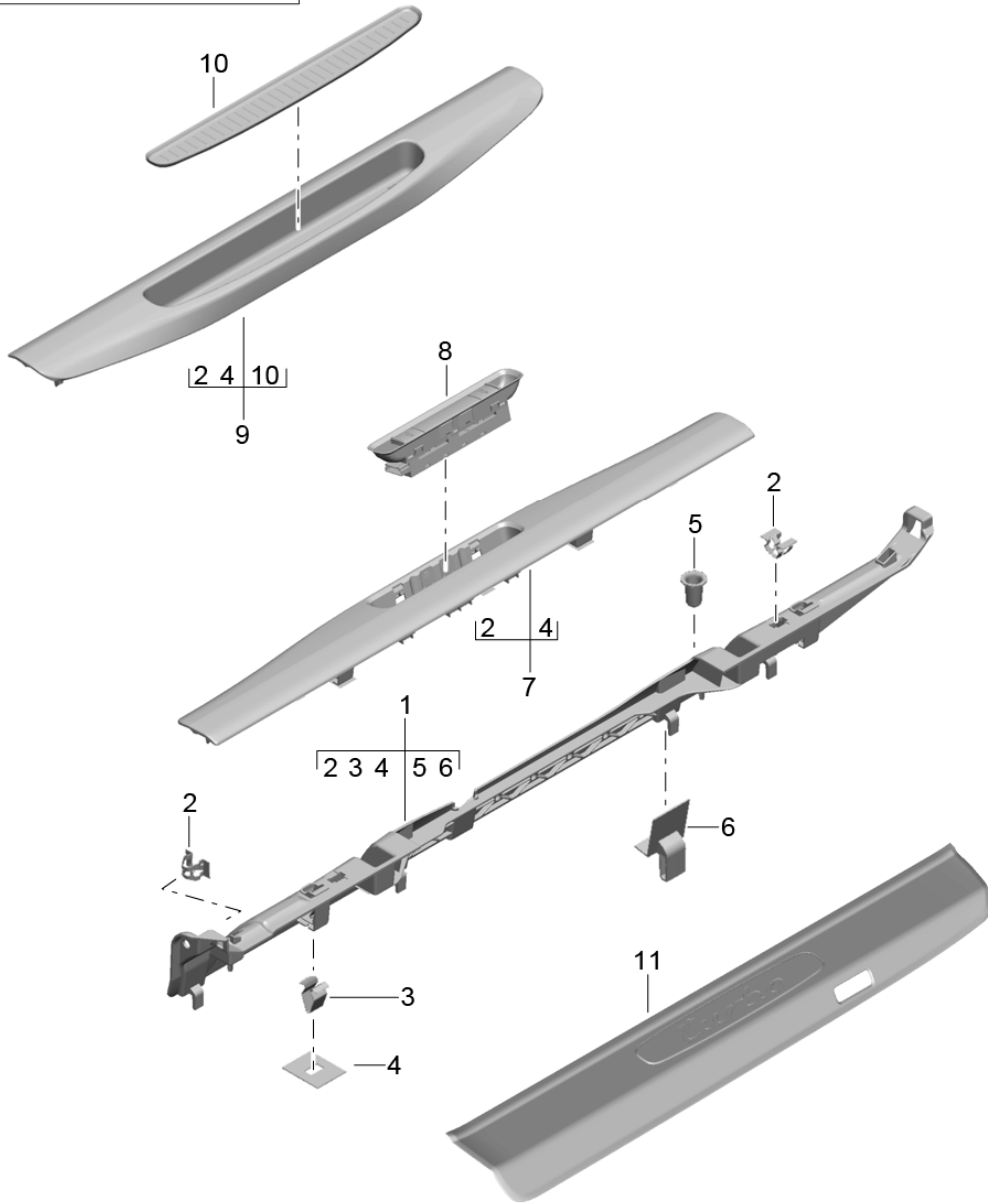
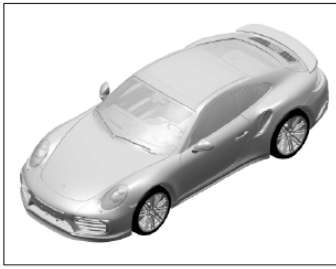
Pos	Part Number	Description	Remark	Qty	Model
(5)	991 555 101 01 T75	Luxor beige	-UZ	1	
	991 555 101 01 OG6	Bordeaux red	-LZ		
	991 555 101 01 R75	Espresso	-NE, BY		
	991 555 102 02	Trim	right		
		Fuse box			
	991 555 102 02 A75	Black	-AZ, BT, BM, TD		
	991 555 102 02 C75	agate grey	-FZ		
	991 555 102 02 OH7	Graphite Blue	-HZ, BG, TG		
	991 555 102 02 CH6	saddle brown	-SZ		
	991 555 102 02 T75	Luxor beige	-UZ		
6	991 555 102 02 OG6	Bordeaux red	-LZ	2	
	991 555 102 02 R75	Espresso	-NE, BY		
7	999 507 533 02	Clamp		4	
		8,0 X 10,0			
8	999 507 552 01	Spring clip		1	
		9,0 X 13,0			
(8)	991 555 621 04	Cover trim	left	1	
		Fuse box			
		No longer use the part here			
	991 555 621 04 1E0	Black	-AZ, BT, BM, TD		
	991 555 621 04 OP1	agate grey	-FZ		
	991 555 621 04 OH7	Graphite Blue	-HZ, BG, TG		
	991 555 621 04 OM8	saddle brown	-SZ		
	991 555 621 04 4H0	Luxor beige	-UZ		
	991 555 621 04 OG6	Bordeaux red	-LZ		
	991 555 621 04 7N0	Espresso	-NE, BY		
	991 555 421 03	Cover	left		
		Trim			
		Fuse box			
	991 555 421 03 1E0	Black	-AZ, BT, BM, TD		
	991 555 421 03 OP1	agate grey	-FZ		
991 555 421 03 OH7	Graphite Blue	-HZ, BG, TG			
991 555 421 03 OM8	saddle brown	-SZ			
991 555 421 03 4H0	Luxor beige	-UZ			
991 555 421 03 OG6	Bordeaux red	-LZ			
991 555 421 03 7N0	Espresso	-NE, BY			
(8)	991 555 622 02	Cover trim	right	1	
		Fuse box			
	991 555 622 02 1E0	Black	-AZ, BT, BM, TD		
	991 555 622 02 OP1	Black/agate grey	-FZ		
	991 555 622 02 OH7	Graphite Blue	-HZ, BG, TG		
	991 555 622 02 OM8	saddle brown	-SZ		
	991 555 622 02 4H0	Luxor beige	-UZ		
	991 555 622 02 OG6	Bordeaux red	-LZ		
	991 555 622 02 7N0	Black/espresso	-NE, BY		
	991 555 718 00	Bracket			
9		Warning light		1	PR:193
10	999 902 059 40	Holding strap		4	
		Fuse box			
11	981 551 547 00	A-pillar		1	PR:098,581
		Luggage net			
		tunnel			
	981 551 547 00 1E0	Black	-AZ, BT, BM, TD		
	981 551 547 00 OP1	agate grey	-FZ		
	981 551 547 00 OH7	Graphite Blue	-HZ, BG, TG		
	981 551 547 00 OM8	saddle brown	-SZ		
	981 551 547 00 4H0	Luxor beige	-UZ		
	981 551 547 00 OG6	Bordeaux red	-LZ		
	981 551 547 00 7N0	Espresso	-NE, BY		
	981 551 547 00	Luggage net			
(11)	981 551 548 00	tunnel		1	PR:099,581
	981 551 548 00 1E0	Black	-AZ, BT, BM, TD		
	981 551 548 00 OP1	agate grey	-FZ		

Model: 991T13 Model life 2014>>

Pos	Part Number	Description	Remark	Qty	Model			
(11)	981 551 548 00 OH7	Graphite Blue	-HZ ,BG ,TG	1	PR:099 ,581			
	981 551 548 00 OM8	saddle brown	-SZ					
	981 551 548 00 4H0	Luxor beige	-UZ					
	981 551 548 00 OG6	Bordeaux red	-LZ					
	981 551 548 00 7N0	Espresso	-NE ,BY					
	981 551 548 00	Luggage net tunnel						
	981 551 548 00 1E0	Black	-AZ ,BT ,BM ,TD					
	981 551 548 00 OP1	agate grey	-FZ					
	981 551 548 00 OH7	Graphite Blue	-HZ ,BG ,TG					
	981 551 548 00 OM8	saddle brown	-SZ					
	981 551 548 00 4H0	Luxor beige	-UZ					
12	981 551 548 00 OG6	Bordeaux red	-LZ	1	Coupe			
	981 551 548 00 7N0	Espresso	-NE ,BY					
	991 551 017 02	Carpet						
	991 551 017 02 A75	Black	-AZ ,BT ,BM ,TD					
	991 551 017 02 C75	agate grey	-FZ					
	991 551 017 02 OH7	Graphite Blue	-HZ ,BG ,TG					
	991 551 017 02 CH6	saddle brown	-SZ					
	991 551 017 02 T75	Luxor beige	-UZ					
	991 551 017 02 OG6	Bordeaux red	-LZ					
	991 551 017 02 R75	Espresso	-NE ,BY					
	(12)	991 551 017 03	Carpet				1	Cabrio
991 551 017 03 A75		Black	-AZ ,BT ,BM ,TD					
991 551 017 03 C75		agate grey	-FZ					
991 551 017 03 OH7		Graphite Blue	-HZ ,BG ,TG					
991 551 017 03 CH6		saddle brown	-SZ					
991 551 017 03 T75		Luxor beige	-UZ					
991 551 017 03 OG6		Bordeaux red	-LZ					
991 551 017 03 R75		Espresso	-NE ,BY					
13		999 049 020 40	Plastic nut T5 30 X 5,1		2			

Model: 991T13

Model life 2014>>





Model: 991T13 Model life 2014>>

Pos	Part Number	Description	Remark	Qty	Model
1	991 555 619 03	Trim Sill D >> - MJ 2016 Support	left	1	
(1)	991 555 620 03	Sill Support	right	1	
2	999 507 533 02	Sill Clamp 8,0 X 10		6	
3	999 507 839 01	Clip 3,5		X	
4	999 209 084 40	Distance piece 20 X 25 X 0,5		X	
5	997 555 857 00	Grommet Clip		4	
6	991 555 889 01	Grommet		8	
7	991 555 019 04	Trim Sill Completed	lhd	1	PR:098,-XTG
	991 555 019 04 1E0	Black	-AZ,BQ		
	991 555 019 04 6L0	Platinum Grey	-CZ,BR		
	991 555 019 04 4H0	Luxor beige	-UZ,BL		
	991 555 019 04 2F0	yachting blue	-EZ		
	991 555 019 04 OP1	agate grey	-DK		
	991 555 019 04 OV4	flint grey	-BV		
	991 555 019 04 7N0	Espresso	-NE		
	991 555 019 04 OW5	Carrera Red	-NG,BA		
	991 555 019 04 8P0	Cognac	-BH		
(7)	991 555 020 03	Trim Sill Completed	rhd	1	PR:099,-XTG
	991 555 020 03 1E0	Black	-AZ,BQ		
	991 555 020 03 6L0	Platinum Grey	-CZ,BR		
	991 555 020 03 4H0	Luxor beige	-UZ,BL		
	991 555 020 03 2F0	yachting blue	-EZ		
	991 555 020 03 OP1	agate grey	-DK		
	991 555 020 03 DE1	Umber	-RK		
	991 555 020 03 OV4	flint grey	-BV		
	991 555 020 03 7N0	Espresso	-NE		
	991 555 020 03 OW5	Carrera Red	-NG,BA		
	991 555 020 03 8P0	Cognac	-BH		
(7)	991 555 985 01	Trim Sill (drivers side) Leather	lhd inner	1	PR:XTG,098, 981
	991 555 985 01 A11	Black	-AZ		
	991 555 985 01 9B0	Platinum Grey	-CZ,BR		
	991 555 985 01 7J0	Luxor beige	-UZ,BL		
	991 555 985 01 6A0	yachting blue	-EZ		
	991 555 985 01 OA1	agate grey	-DK		
	991 555 985 01 OD4	flint grey	-BV		
	991 555 985 01 6J0	Espresso	-NE		
	991 555 985 01 N12	Carrera Red	-NG,BA		
	991 555 985 01 7F0	Cognac	-BH		
	991 555 985 01 DQU	Black/Carrera Red	-BQ		
(7)	991 555 986 01	Trim Sill (drivers side) Leather	rhd inner	1	PR:XTG,099, 981
	991 555 986 01 A11	Black	-AZ		
	991 555 986 01 9B0	Platinum Grey	-CZ,BR		
	991 555 986 01 7J0	Luxor beige	-UZ,BL		
	991 555 986 01 6A0	yachting blue	-EZ		

Model: 991T13 Model life 2014>>

Pos	Part Number	Description	Remark	Qty	Model
8	991 555 986 01 OA1	agate grey	-DK	1	
	991 555 986 01 OD4	flint grey	-BV		
	991 555 986 01 6J0	Espresso	-NE		
	991 555 986 01 N12	Carrera Red	-NG,BA		
	991 555 986 01 7F0	Cognac	-BH		
	991 555 986 01 DQU	Black/Carrera Red	-BQ		
		Tip switch			
		see illustration:	903-005		
9	991 555 122 04	Trim Sill (passenger side)	lhd	1	PR:098,-XTG
		with:			
	991 555 122 04 1E0	Clip Black	-AZ,BQ		
	991 555 122 04 6L0	Platinum Grey	-CZ,BR		
	991 555 122 04 4H0	Luxor beige	-UZ,BL		
	991 555 122 04 2F0	yachting blue	-EZ		
	991 555 122 04 OP1	agate grey	-DK		
	991 555 122 04 OV4	flint grey	-BV		
	991 555 122 04 7N0	Espresso	-NE		
	991 555 122 04 OW5	Carrera Red	-NG,BA		
	991 555 122 04 8P0	Cognac	-BH		
(9)	991 555 121 00	Trim Sill (passenger side)	rhd	1	PR:099,-XTG
		with:			
		Insert and Clip			
	991 555 121 00 1E0	Black	-AZ,BQ		
	991 555 121 00 6L0	Platinum Grey	-CZ,BR		
	991 555 121 00 4H0	Luxor beige	-UZ,BL		
	991 555 121 00 2F0	yachting blue	-EZ		
	991 555 121 00 OP1	agate grey	-DK		
	991 555 121 00 OV4	flint grey	-BV		
	991 555 121 00 7N0	Espresso	-NE		
	991 555 121 00 OW5	Carrera Red	-NG,BA		
	991 555 121 00 8P0	Cognac	-BH		
(9)	991 555 122 02	Trim Sill (passenger side)		1	
		with:			
		Insert and Clip			
(9)	991 555 122 02 5Q0	Black		1	
(9)	991 555 988 01	Trim Sill (passenger side)	lhd	1	PR:XTG,098, 981
		Leather	inner		
	991 555 988 01 A11	Black	-AZ		
	991 555 988 01 9B0	Platinum Grey	-CZ,BR		
	991 555 988 01 7J0	Luxor beige	-UZ,BL		
	991 555 988 01 6A0	yachting blue	-EZ		
	991 555 988 01 O1A	agate grey	-DK		
	991 555 988 01 OD4	flint grey	-BV		
	991 555 988 01 6J0	Espresso	-NE		
	991 555 988 01 N12	Carrera Red	-NG,BA		
	991 555 988 01 7F0	Cognac	-BH		
	991 555 988 01 DQU	Black/Carrera Red	-BQ		
(9)	991 555 987 01	Trim Sill (passenger side)	rhd	1	PR:XTG,099, 981
		inner			

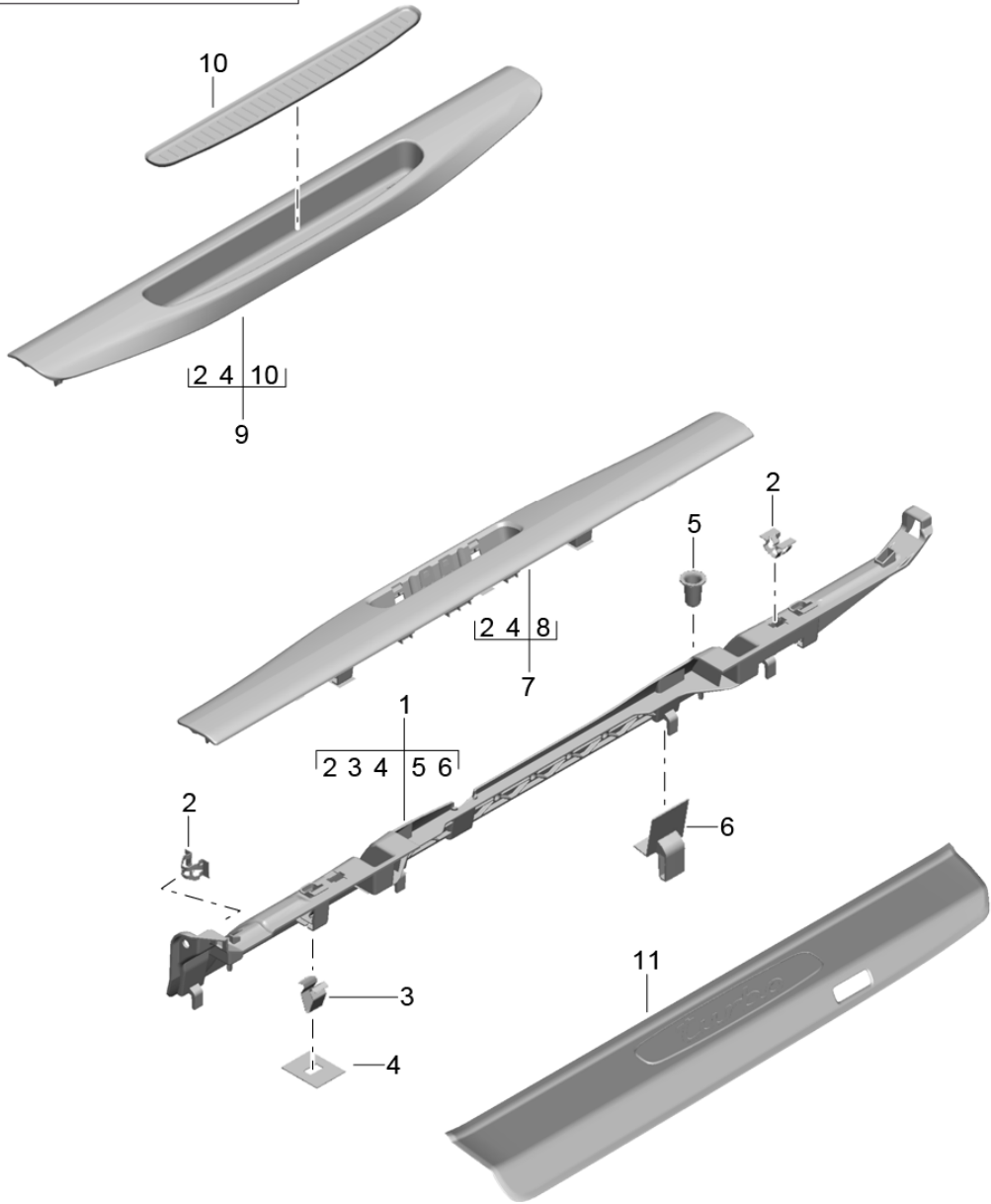
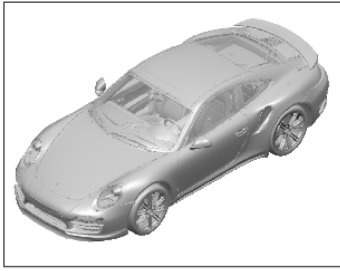
Model: 991T13

Model life 2014>>

Pos	Part Number	Description	Remark	Qty	Model
		Leather			
	991 555 987 01 A11	Black	-AZ		
	991 555 987 01 9B0	Platinum Grey	-CZ, BR		
	991 555 987 01 7J0	Luxor beige	-UZ, BL		
	991 555 987 01 6A0	yachting blue	-EZ		
	991 555 987 01 01A	agate grey	-DK		
	991 555 987 01 OD4	flint grey	-BV		
	991 555 987 01 6J0	Espresso	-NE		
	991 555 987 01 N12	Carrera Red	-NG, BA		
	991 555 987 01 7F0	Cognac	-BH		
	991 555 987 01 DQU	Black/Carrera Red	-BQ		
10	991 555 613 00	Insert		1	
		Trim			
		Sill			
11		Sill trim strip		1	
		Sill			
		see illustration:	807-055		

Model: 991T13

Model life 2014>>



Model: 991T13 Model life 2014>>

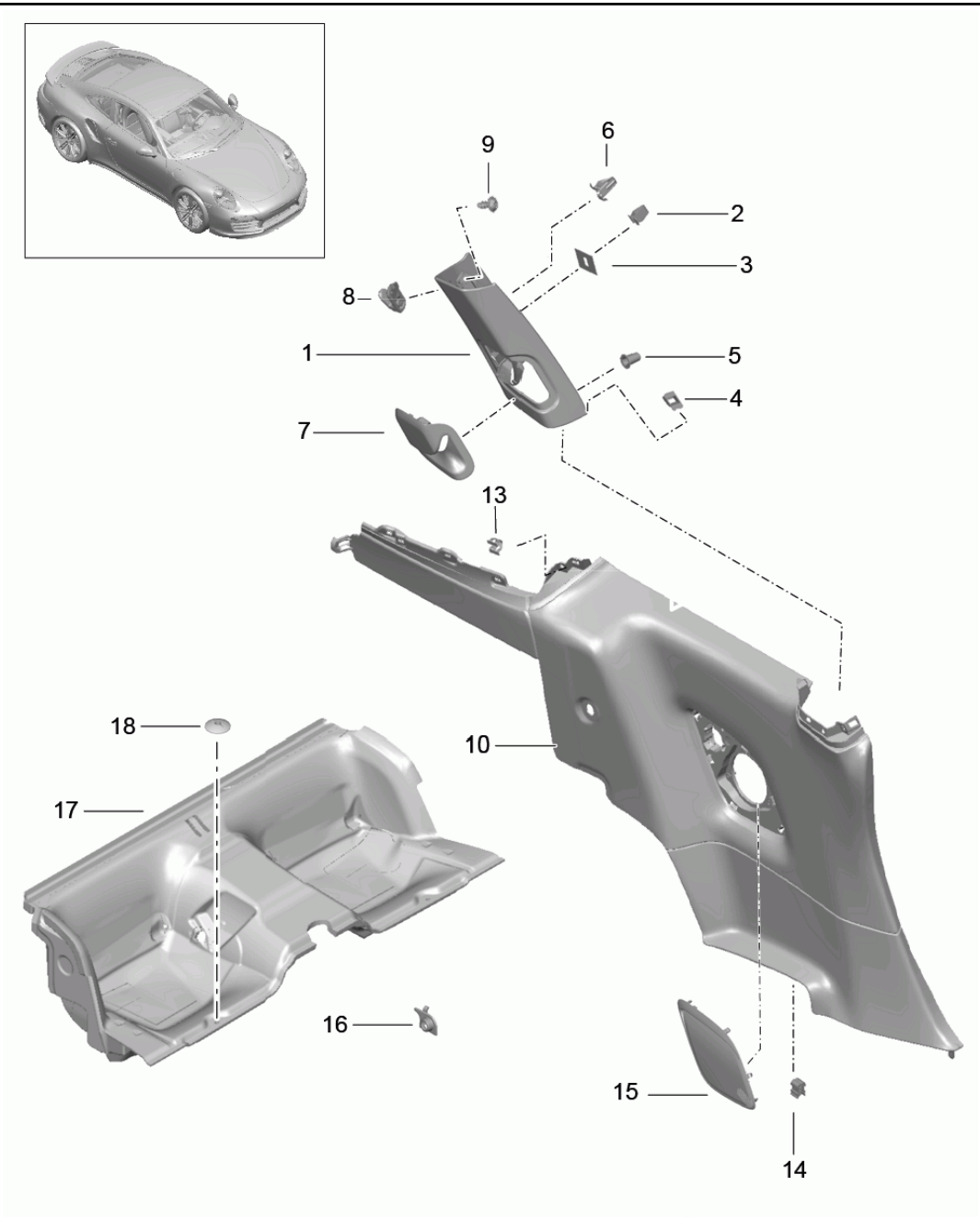
Pos	Part Number	Description	Remark	Qty	Model
1	991 555 619 03	Trim Sill D - MJ 2017>> Support	left	1	
(1)	991 555 620 03	Sill Support	right	1	
2	999 507 533 02	Clamp 8,0 X 10		6	
3	999 507 839 01	Clip 3,5		X	
4	999 209 084 40	Distance piece 20 X 25 X 0,5		X	
5	997 555 857 00	Grommet Clip		4	
6	991 555 889 01	Grommet		8	
7	991 555 119 04	Trim Sill (drivers side)	left	1	PR:098,-XTG
	991 555 119 04 1E0	Black	-AG,AJ,AQ,AZ, BT,BM		
	991 555 119 04 OP1	agate grey	-FG,FJ,FQ,FZ		
	991 555 119 04 4H0	Luxor beige	-UG,UJ,UQ,UZ		
	991 555 119 04 OH7	Graphite Blue	-HZ,BG		
	991 555 119 04 OM8	saddle brown	-SZ		
	991 555 119 04 OG6	Bordeaux red	-LZ		
	991 555 119 04 7N0	Espresso	-NE,BY		
(7)	991 555 120 00	Trim Sill (drivers side)	right	1	PR:099,-XTG
	991 555 120 00 1E0	Black	-AG,AJ,AQ,AZ, BT,BM		
	991 555 120 00 OP1	agate grey	-FG,FJ,FQ,FZ		
	991 555 120 00 4H0	Luxor beige	-UG,UJ,UQ,UZ		
	991 555 120 00 OH7	Graphite Blue	-HZ,BG		
	991 555 120 00 OM8	saddle brown	-SZ		
	991 555 120 00 OG6	Bordeaux red	-LZ		
	991 555 120 00 7N0	Espresso	-NE,BY		
(7)	991 555 985 01	Trim Sill (drivers side) Leather	left	1	PR:098,XTG
		with:			
		Switch			
	991 555 985 01 A11	Black	-AZ		
	991 555 985 01 OA1	agate grey	-FZ		
	991 555 985 01 OH7	Graphite Blue	-HZ		
	991 555 985 01 OK6	saddle brown	-SZ		
	991 555 985 01 7J0	Luxor beige	-UZ,BT		
	991 555 985 01 OG6	Bordeaux red	-LZ,BM		
	991 555 985 01 OL8	Chalk	-BG		
	991 555 985 01 6J0	Espresso	-NE		
	991 555 985 01 7F0	Cognac	-BY		
(7)	991 555 986 01	Trim Sill (drivers side) Leather	right	1	PR:099,XTG
		with:			
		Switch			
	991 555 986 01 A11	Black	-AZ		
	991 555 986 01 OA1	agate grey	-FZ		
	991 555 986 01 OH7	Graphite Blue	-HZ		
	991 555 986 01 OK6	saddle brown	-SZ		

Model: 991T13 Model life 2014>>

Pos	Part Number	Description	Remark	Qty	Model
(9)	991 555 986 01 7J0	Luxor beige	-UZ,BT	1	PR:099,-XTG
	991 555 986 01 OG6	Bordeaux red	-LZ,BM		
	991 555 986 01 OL8	Chalk	-BG		
	991 555 986 01 6J0	Espresso	-NE		
	991 555 986 01 7F0	Cognac	-BY		
	991 555 121 00	Trim Sill (passenger side)	left		
	991 555 121 00 1E0	Black	-AG,AJ,AQ,AZ, BT,BM		
	991 555 121 00 OP1	agate grey	-FG,FJ,FQ,FZ		
	991 555 121 00 4H0	Luxor beige	-UG,UJ,UQ,UZ		
	991 555 121 00 OH7	Graphite Blue	-HZ,BG		
9	991 555 121 00 OM8	saddle brown	-SZ	1	PR:098,-XTG
	991 555 121 00 OG6	Bordeaux red	-LZ		
	991 555 121 00 7N0	Espresso	-NE,BY		
	991 555 122 04	Trim Sill (passenger side)	right		
	991 555 122 04 1E0	Black	-AG,AJ,AQ,AZ, BT,BM		
	991 555 122 04 OP1	agate grey	-FG,FJ,FQ,FZ		
	991 555 122 04 4H0	Luxor beige	-UG,UJ,UQ,UZ		
	991 555 122 04 OH7	Graphite Blue	-HZ,BG		
	991 555 122 04 OM8	saddle brown	-SZ		
	991 555 122 04 OG6	Bordeaux red	-LZ		
(9)	991 555 122 04 7N0	Espresso	-NE,BY	1	PR:099,XTG
	991 555 987 01	Trim Sill (passenger side) Leather	left		
		with: Switch			
	991 555 987 01 A11	Black	-AZ		
	991 555 987 01 OA1	agate grey	-FZ		
	991 555 987 01 OH7	Graphite Blue	-HZ		
	991 555 987 01 OK6	saddle brown	-SZ		
	991 555 987 01 7J0	Luxor beige	-UZ,BT		
	991 555 987 01 OG6	Bordeaux red	-LZ,BM		
	991 555 987 01 OL8	Chalk	-BG		
(9)	991 555 987 01 6J0	Espresso	-NE	1	PR:098,XTG
	991 555 987 01 7F0	Cognac	-BY		
	991 555 988 01	Trim Sill (passenger side) Leather	right		
		with: Switch			
	991 555 988 01 A11	Black	-AZ		
	991 555 988 01 OA1	agate grey	-FZ		
	991 555 988 01 OH7	Graphite Blue	-HZ		
	991 555 988 01 OK6	saddle brown	-SZ		
	991 555 988 01 7J0	Luxor beige	-UZ,BT		
	991 555 988 01 OG6	Bordeaux red	-LZ,BM		
10	991 555 988 01 OL8	Chalk	-BG	1	
	991 555 988 01 6J0	Espresso	-NE		
	991 555 988 01 7F0	Cognac	-BY		
		Sill trim strip Sill			
		see illustration:	807-057		

Model: 991T13

Model life 2014>>



Model: 991T13 Model life 2014>>

Pos	Part Number	Description	Remark	Qty	Model
		Side panel trim Seat well B-pillar D >> - MJ 2016			COUPE
1	991 555 183 10	B-pillar trim (Alcantara)	left	1	
	991 555 183 10 2W0	Black	-AZ, EZ, BR, BL, BA, BQ, NG		
	991 555 183 10 8U3	Platinum Grey	-CZ		
	991 555 183 10 9U1	Luxor beige	-UZ		
	991 555 183 10 OU5	agate grey	-DK, BV		
	991 555 183 10 9U7	Espresso	-NE, BH		
(1)	991 555 184 10	B-pillar trim (Alcantara)	right	1	
	991 555 184 10 2W0	Black	-AZ, EZ, BR, BL, BA, BQ, NG		
	991 555 184 10 8U3	Platinum Grey	-CZ		
	991 555 184 10 9U1	Luxor beige	-UZ		
	991 555 184 10 OU5	agate grey	-DK, BV		
	991 555 184 10 9U7	Espresso	-NE, BH		
2	999 507 839 01	Clip 3,5		1	
3	999 209 084 40	Distance piece 25 X 20 X 5		1	
4	991 555 883 00	Grommet		1	
5	997 555 857 00	Grommet		3	
6	5N0 880 385	Clip Airbag		1	
7	991 555 527 00	Rosette Seat belt B-pillar	left	1	
	991 555 527 00 1E0	Black	-AZ, EZ, BR, BL, BA, BQ, NG		
	991 555 527 00 OP1	agate grey	-DK, BV		
	991 555 527 00 7N0	Espresso	-NE, BH		
(7)	991 555 528 00	Rosette Seat belt B-pillar	right	1	
	991 555 528 00 1E0	Black	-AZ, EZ, BR, BL, BA, BQ, NG		
	991 555 528 00 OP1	agate grey	-DK, BV		
	991 555 528 00 7N0	Espresso	-NE, BH		
8	958 555 635 01	Coat hook		2	
	958 555 635 01 82V	Titan black	-AZ, EZ, BR, BL, BA, BQ, NG		
	958 555 635 01 6L0	Platinum Grey	-CZ		
	958 555 635 01 4H0	Luxor beige	-UZ		
	958 555 635 01 OP1	agate grey	-DK, BV		
	958 555 635 01 7N0	Espresso	-NE, BH		
9	999 919 286 01	fillister hd. bolt 5,0 X 10,0		2	
10	991 555 071 21	Side panel trim slush technology	left	1	PR:-981
	991 555 071 21 DK4	Black			
	991 555 071 21 DJ6	Platinum Grey			
	991 555 071 21 DM5	Luxor beige			
	991 555 071 21 OT3	yachting blue			
(10)	991 555 072 21	Side panel trim slush technology	right	1	PR:-981
	991 555 072 21 DK4	Black			
	991 555 072 21 DJ6	Platinum Grey			
	991 555 072 21 DM5	Luxor beige			
	991 555 072 21 OT3	yachting blue			



Model: 991T13 Model life 2014>>

Pos	Part Number	Description	Remark	Qty	Model
(10)	991 555 071 19	Side panel trim Leather	left	1	PR:981
	991 555 071 19 A11	Black	-AZ		
	991 555 071 19 9B0	Platinum Grey	-CZ		
	991 555 071 19 7J0	Luxor beige	-UZ		
	991 555 071 19 6A0	yachting blue	-EZ		
	991 555 071 19 OA1	agate grey	-DK		
	991 555 071 19 6J0	Espresso	-NE		
	991 555 071 19 N12	Carrera Red	-NG		
(10)	991 555 072 19	Side panel trim Leather	right	1	PR:981
	991 555 072 19 A11	Black	-AZ		
	991 555 072 19 9B0	Platinum Grey	-CZ		
	991 555 072 19 7J0	Luxor beige	-UZ		
	991 555 072 19 6A0	yachting blue	-EZ		
	991 555 072 19 OA1	agate grey	-DK		
	991 555 072 19 6J0	Espresso	-NE		
	991 555 072 19 N12	Carrera Red	-NG		
(10)	991 555 071 20	Side panel trim	left	1	PR:970,981
	991 555 071 20 GEG	Black/Platinum Grey	-BR		
	991 555 071 20 DTO	Black/Luxor Beige	-BL		
	991 555 071 20 GMG	Agate Grey/Pebble Grey	-BV		
	991 555 071 20 DQW	Black/Carrera Red	-BA,BQ		
	991 555 071 20 GRG	Espresso/Cognac	-BH		
(10)	991 555 072 20	Side panel trim	right	1	PR:970,981
	991 555 072 20 GEG	Black/Platinum Grey	-BR		
	991 555 072 20 DTO	Black/Luxor Beige	-BL		
	991 555 072 20 GMG	Agate Grey/Pebble Grey	-BV		
	991 555 072 20 DQW	Black/Carrera Red	-BA,BQ		
	991 555 072 20 GRG	Espresso/Cognac	-BH		
13	999 507 533 02	Clamp 8,0 X 10,0		3	
14	991 555 875 00	Rubber ply		8	
15	991 555 049 00	Loudspeaker trim	left	1	
	991 555 049 00 1E0	Black	-AZ		
	991 555 049 00 6L0	Platinum Grey	-CZ,BR		
	991 555 049 00 4H0	Luxor beige	-UZ,BL		
	991 555 049 00 2F0	yachting blue	-EZ		
	991 555 049 00 OP1	agate grey	-DK		
	991 555 049 00 OV4	flint grey	-BV		
	991 555 049 00 7N0	Espresso	-NE		
	991 555 049 00 OW5	Carrera Red	-NG,BA,BQ		
	991 555 049 00 DE1	Umber	-RK		
	991 555 049 00 8P0	Cognac	-BH		
(15)	991 555 050 00	Loudspeaker trim	right	1	
	991 555 050 00 1E0	Black	-AZ		
	991 555 050 00 6L0	Platinum Grey	-CZ,BR		
	991 555 050 00 4H0	Luxor beige	-UZ,BL		
	991 555 050 00 2F0	yachting blue	-EZ		
	991 555 050 00 OP1	agate grey	-DK		
	991 555 050 00 OV4	flint grey	-BV		
	991 555 050 00 7N0	Espresso	-NE		
	991 555 050 00 OW5	Carrera Red	-NG,BA,BQ		
	991 555 050 00 DE1	Umber	-RK		
	991 555 050 00 8P0	Cognac	-BH		
16	991 555 701 00	Rosette Bracket backrest	left	1	
	991 555 701 00 1E0	Black			
(16)	991 555 702 00	Rosette Bracket backrest	right	1	
	991 555 702 00 1E0	Black			

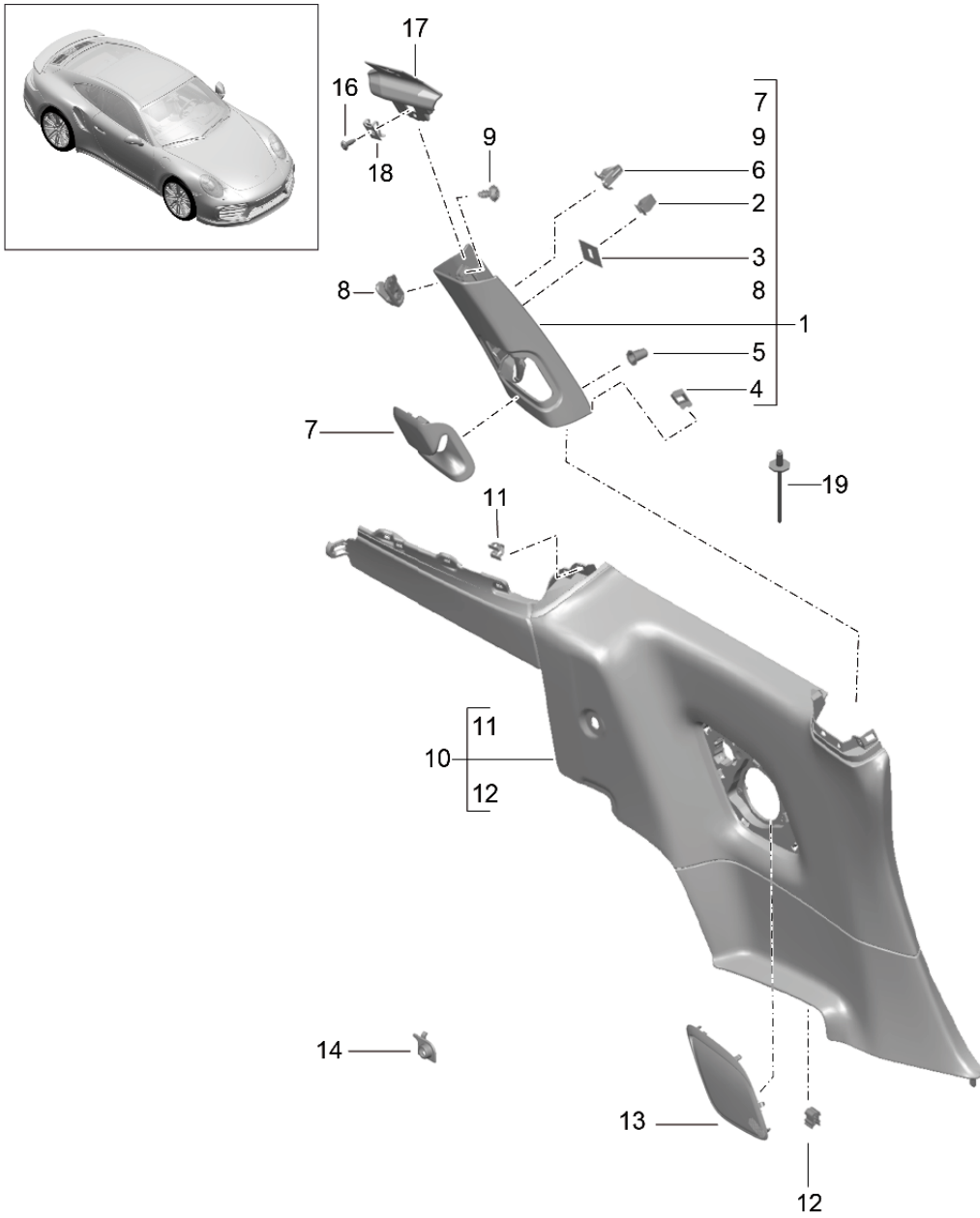
Model: 991T13

Model life 2014>>

Pos	Part Number	Description	Remark	Qty	Model
17	991 551 017 00	Seat well Carpet		1	
	991 551 017 00 A75	Black	-AZ,BQ		
	991 551 017 00 D75	Platinum Grey	-CZ,BR		
	991 551 017 00 T75	Luxor beige	-UZ		
	991 551 017 00 G75	yachting blue	-EZ		
	991 551 017 00 C75	agate grey	-DK		
	991 551 017 00 E75	flint grey	-BV		
	991 551 017 00 R75	Espresso	-NE		
	991 551 017 00 N10	Carrera Red	-NG,BA		
	991 551 017 00 S75	Umber	-RK		
	991 551 017 00 Q75	Cognac	-BH		
18	999 049 020 40	Plastic nut T5 30 X 5,1		2	

Model: 991T13

Model life 2014>>



Model: 991T13 Model life 2014>>

Pos	Part Number	Description	Remark	Qty	Model
		Side panel trim			COUPE
		B-pillar			
		D - MJ 2017>>			
1	991 555 183 10	B-pillar trim (Alcantara)	left	1	PR:981
		D >> - MJ 2017			
	991 555 183 10 2W0	Black	-AZ,SZ,LZ,BT, BM,TD		
	991 555 183 10 OU5	agate grey	-FZ		
	991 555 183 10 OH7	Graphite Blue	-HZ,BG,TG		
	991 555 183 10 9U1	Luxor beige	-UZ		
	991 555 183 10 9U7	Espresso	-NE,BY		
(1)	991 555 184 10	B-pillar trim (Alcantara)	right	1	PR:981
		D >> - MJ 2017			
	991 555 184 10 2W0	Black	-AZ,SZ,LZ,BT, BM,TD		
	991 555 184 10 OU5	agate grey	-FZ		
	991 555 184 10 OH7	Graphite Blue	-HZ,BG,TG		
	991 555 184 10 9U1	Luxor beige	-UZ		
	991 555 184 10 9U7	Espresso	-NE,BY		
(1)	9P1 867 243 C	B-pillar trim (Alcantara)	left	1	PR:-553
		also use:			
		Position			
		D - MJ 2018>>			
	9P1 867 243 C 2W0	Black	-AZ,60,SZ,LZ, BT,BM,TD,68, 78		
	9P1 867 243 C 9U7	Espresso	-NE,BY		
	9P1 867 243 C OU5	agate grey	-FZ		
	9P1 867 243 C OH7	Graphite Blue	-HZ,BG,TG		
	9P1 867 243 C N13	guards red (Porsche)	-43,63		
(1)	9P1 867 244 C	B-pillar trim (Alcantara)	right	1	PR:-553
		also use:			
		Position			
		D - MJ 2018>>			
	9P1 867 244 C 2W0	Black	-AZ,60,SZ,LZ, BT,BM,TD,68, 78		
	9P1 867 244 C 9U7	Espresso	-NE,BY		
	9P1 867 244 C OU5	agate grey	-FZ		
	9P1 867 244 C OH7	Graphite Blue	-HZ,BG,TG		
	9P1 867 244 C N13	guards red (Porsche)	-43,63		
2	999 507 839 01	Clip 3,5		2	
3	999 209 084 40	Distance piece 25 X 20 X 0,5		2	
4	991 555 883 00	Grommet	left	1	
(4)	991 555 884 00	Grommet	right	1	
5	997 555 857 00	Grommet		6	
6	5N0 880 385	Clip		1	
		Airbag			
7	991 555 527 00	Rosette	left	1	
		Seat belt			
		B-pillar			
	991 555 527 00 1E0	Black	-AZ,SZ,LZ,BT, BM,TD,60,43, 63,68,78		
	991 555 527 00 OP1	agate grey	-FZ		
	991 555 527 00 OH7	Graphite Blue	-HZ,BG,TG		
	991 555 527 00 4H0	Luxor beige	-UZ		

Model: 991T13 Model life 2014>>

Pos	Part Number	Description	Remark	Qty	Model
(7)	991 555 527 00 7N0	Espresso	-NE, BY	1	
	991 555 528 00	Rosette	right		
8	991 555 528 00 1E0	Seat belt B-pillar Black	-AZ, SZ, LZ, BT, BM, TD, 60, 43, 63, 68, 78	2	
	991 555 528 00 OP1	agate grey	-FZ		
	991 555 528 00 OH7	Graphite Blue	-HZ, BG, TG		
	991 555 528 00 4H0	Luxor beige	-UZ		
	991 555 528 00 7N0	Espresso	-NE, BY		
	958 555 635 01	Coat hook			
	958 555 635 01 82V	Titan black	-AZ, SZ, LZ, BT, BM, TD, 60, 43, 63, 68, 78		
	958 555 635 01 OP1	agate grey	-FZ		
	958 555 635 01 OH7	Graphite Blue	-HZ, BG, TG		
	958 555 635 01 4H0	Luxor beige	-UZ		
9	958 555 635 01 7N0	Espresso	-NE, BY	2	
	999 919 286 01	fillister hd. bolt 5,0 X 10,0			
10	991 555 071 19	Side panel trim	left rear	1	PR:981,-970, -XTG
		Leather			
	991 555 071 19 A11	Black	-AZ		
	991 555 071 19 OA1	agate grey	-FZ		
	991 555 071 19 OH7	Graphite Blue	-HZ		
	991 555 071 19 OK6	saddle brown	-SZ		
	991 555 071 19 7J0	Luxor beige	-UZ		
	991 555 071 19 OG6	Bordeaux red	-LZ		
	991 555 071 19 JHB	Black/Dark Silver	-TD		
	991 555 071 19 6J0	Espresso	-NE		
(10)	991 555 072 19	Side panel trim	right rear	1	PR:981,-970, -XTG
		Leather			
	991 555 072 19 A11	Black	-AZ		
	991 555 072 19 OA1	agate grey	-FZ		
	991 555 072 19 OH7	Graphite Blue	-HZ		
	991 555 072 19 OK6	saddle brown	-SZ		
	991 555 072 19 7J0	Luxor beige	-UZ		
	991 555 072 19 OG6	Bordeaux red	-LZ		
	991 555 072 19 JHB	Black/Dark Silver	-TD		
	991 555 072 19 6J0	Espresso	-NE		
(10)	991 555 071 20	Side panel trim	left rear	1	PR:981,970, -XTG
		Leather			
		two-colour			
	991 555 071 20 DTO	Black/Luxor Beige	-BT		
	991 555 071 20 GUG	Black/Bordeaux Red	-BM		
	991 555 071 20 GTG	Graphite Blue/Chalk	-BG, TG		
	991 555 071 20 GRG	Espresso/Cognac	-BY		
	991 555 072 20	Side panel trim	right rear		
		Leather			
		two-colour			
(10)	991 555 072 20 DTO	Black/Luxor Beige	-BT	1	PR:981,970, -XTG
	991 555 072 20 GUG	Black/Bordeaux Red	-BM		
	991 555 072 20 GTG	Graphite Blue/Chalk	-BG, TG		
	991 555 072 20 GRG	Espresso/Cognac	-BY		
	991 555 975 00	Side panel trim (leather)	left rear		
	991 555 975 00 A11	Black	-AZ, 60		
	991 555 975 00 OA1	agate grey	-FZ		

Model: 991T13

Model life 2014>>

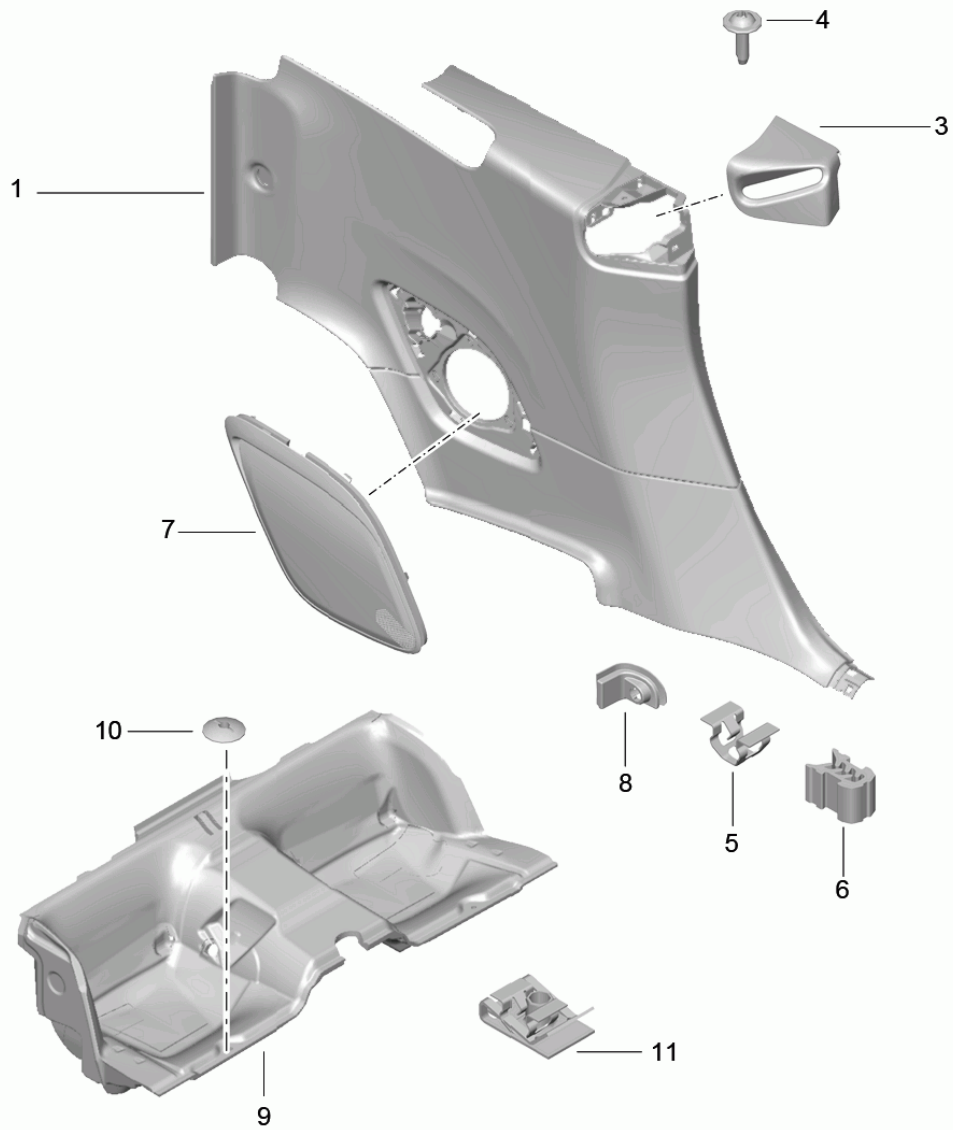
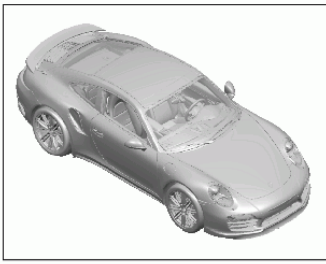
Pos	Part Number	Description	Remark	Qty	Model
	991 555 975 00 OH7	Graphite Blue	-HZ		
	991 555 975 00 OK6	saddle brown	-SZ		
	991 555 975 00 7J0	Luxor beige	-UZ		
	991 555 975 00 OG6	Bordeaux red	-LZ		
	991 555 975 00 JHB	Black/Dark Silver	-TD		
	991 555 975 00 6J0	Espresso	-NE		
(10)	991 555 976 00	Side panel trim (leather)	right rear	1	PR:981,-970, XTG
	991 555 976 00 A11	Black	-AZ,60		
	991 555 976 00 OA1	agate grey	-FZ		
	991 555 976 00 OH7	Graphite Blue	-HZ		
	991 555 976 00 OK6	saddle brown	-SZ		
	991 555 976 00 7J0	Luxor beige	-UZ		
	991 555 976 00 OG6	Bordeaux red	-LZ		
	991 555 976 00 JHB	Black/Dark Silver	-TD		
	991 555 976 00 6J0	Espresso	-NE		
(10)	991 555 975 01	Side panel trim (leather)	left	1	PR:981,970, XTG
		two-colour			
	991 555 975 01 DTO	Black/Luxor Beige	-BT		
	991 555 975 01 GUG	Black/Bordeaux Red	-BM		
	991 555 975 01 GTG	Graphite Blue/Chalk	-BG,TG		
	991 555 975 01 GRG	Espresso/Cognac	-BY		
(10)	991 555 976 01	Side panel trim (leather)	right	1	PR:981,970, XTG
		two-colour			
	991 555 976 01 DTO	Black/Luxor Beige	-BT		
	991 555 976 01 GUG	Black/Bordeaux Red	-BM		
	991 555 976 01 GTG	Graphite Blue/Chalk	-BG,TG		
	991 555 976 01 GRG	Espresso/Cognac	-BY		
(10)	991 555 071 28	Side panel trim	left	1	PR:-589, -595,-981
(10)	991 555 071 28 DK4	Black	-43		
(10)	991 555 072 28	Side panel trim	right	1	PR:-589, -595,-981
(10)	991 555 072 28 DK4	Black	-43		
(10)	991 555 071 29	Side panel trim	left	1	PR:-589, -595,981
	991 555 071 29 DRK	Black/Guards Red	-63,68		
	991 555 071 29 DPE	Black/Platinum Grey	-78		
(10)	991 555 072 29	Side panel trim	right	1	PR:-589, -595,981
	991 555 072 29 DRK	Black/Guards Red	-63,68		
	991 555 072 29 DPE	Black/Platinum Grey	-78		
(10)	991 555 071 30	Side panel trim	left	1	PR:595
(10)	991 555 071 30 DK4	Black	-43		
(10)	991 555 072 30	Side panel trim	right	1	PR:595
(10)	991 555 072 30 DK4	Black	-43		
(10)	991 555 071 31	Side panel trim	left	1	PR:589
(10)	991 555 071 31 DK4	Black	-43		
(10)	991 555 072 31	Side panel trim	right	1	PR:589
	991 555 072 31 DK4	Black	-43		
11	999 507 533 02	Clamp 8,0 X 10,0		6	
12	991 555 875 00	Rubber ply		4	
13	991 555 049 00	Loudspeaker trim	left	1	
	991 555 049 00 1E0	Black	-AZ,TD,43,63, 68,78,60		
	991 555 049 00 OP1	agate grey	-FZ		
	991 555 049 00 OH7	Graphite Blue	-HZ		
	991 555 049 00 OM8	saddle brown	-SZ		
	991 555 049 00 4H0	Luxor beige	-UZ,BT		
	991 555 049 00 OG6	Bordeaux red	-LZ,BM		

Model: 991T13 Model life 2014>>

Pos	Part Number	Description	Remark	Qty	Model
(13)	991 555 049 00 OL8	Chalk	-BG,TG	1	
	991 555 049 00 7N0	Espresso	-NE		
	991 555 049 00 8P0	Cognac	-BY		
	991 555 050 00	Loudspeaker trim	right		
	991 555 050 00 1E0	Black	-AZ,TD,43,63, 68,78,60		
	991 555 050 00 OP1	agate grey	-FZ		
	991 555 050 00 OH7	Graphite Blue	-HZ		
	991 555 050 00 OM8	saddle brown	-SZ		
	991 555 050 00 4H0	Luxor beige	-UZ,BT		
	991 555 050 00 OG6	Bordeaux red	-LZ,BM		
14	991 555 050 00 OL8	Chalk	-BG,TG	1	PR:685
	991 555 050 00 7N0	Espresso	-NE		
(14)	991 555 050 00 8P0	Cognac	-BY	1	PR:685
	991 555 701 00	Rosette	left		
	991 555 701 00 1E0	Bracket backrest Black	right		
15	991 555 702 00	Rosette		1	PR:-553
	991 555 702 00 1E0	Bracket backrest Black			
16	9P1 867 329	Dummy cover		2	
	9P1 867 329 1E0	D - MJ 2018>> Black	-GF,GG,GQ,GR, GW,GY,AG,AJ, AQ,WS,WI,WL, WG,AZ,SZ,LZ, YS,YI,YL,YG, BT,BM,TD,43, 63,68,78,60		
	9P1 867 329 OP1	agate grey	-FG,FJ,FQ,FZ		
	9P1 867 329 OH7	Graphite Blue	-HZ,BG,TG		
	9P1 867 329 7N0	Espresso	-NE,BY		
17	999 073 459 01	fillister hd. bolt M5X16		1	
	9P1 868 785	D - MJ 2018>> Bracket	left		
(17)	9P1 868 786	D - MJ 2018>> Bracket	right	1	
	999 507 702 01	D - MJ 2018>> panel nut M5			
18	999 507 702 01	panel nut M5		1	
19	N 900 978 02	Pop rivet A 4,0X6,0		1	

Model: 991T13

Model life 2014>>





Model: 991T13 Model life 2014>>

Pos	Part Number	Description	Remark	Qty	Model
		Side panel trim Seat well D >> - MJ 2016			CABRIO
1	991 555 071 04	Side panel trim Leather D >> - MJ 2014	left	1	PR:981
	991 555 071 04 A11	Black	-AZ, BR, BL, BA, BQ		
	991 555 071 04 9B0	Platinum Grey	-CZ		
	991 555 071 04 7J0	Luxor beige	-UZ		
	991 555 071 04 6A0	Black/yachting blue	-EZ		
	991 555 071 04 OA1	Black/agate grey	-DK, BV		
	991 555 071 04 6J0	Black/espresso	-NE, BH		
	991 555 071 04 N12	Carrera Red	-NG		
	991 555 071 04 DE1	Umber	-RK		
1	991 555 071 16	Side panel trim Leather D - MJ 2015>>	left	1	PR:981
	991 555 071 16 A11	Black	-AZ, BR, BL, BA, BQ		
	991 555 071 16 9B0	Platinum Grey	-CZ		
	991 555 071 16 7J0	Luxor beige	-UZ		
	991 555 071 16 6A0	yachting blue	-EZ		
	991 555 071 16 OA1	agate grey	-DK, BV		
	991 555 071 16 6J0	Espresso	-NE, BH		
	991 555 071 16 N12	Carrera Red	-NG		
(1)	991 555 072 04	Side panel trim Leather D >> - MJ 2014	right	1	PR:981
	991 555 072 04 A11	Black	-AZ, BR, BL, BA, BQ		
	991 555 072 04 9B0	Platinum Grey	-CZ		
	991 555 072 04 7J0	Luxor beige	-UZ		
	991 555 072 04 6A0	Black/yachting blue	-EZ		
	991 555 072 04 OA1	Black/agate grey	-DK, BV		
	991 555 072 04 6J0	Black/espresso	-NE, BH		
	991 555 072 04 N12	Carrera Red	-NG		
	991 555 072 04 DE1	Umber	-RK		
(1)	991 555 072 16	Side panel trim Leather D - MJ 2015>>	right	1	PR:981
	991 555 072 16 A11	Black	-AZ, BR, BL, BA, BQ		
	991 555 072 16 9B0	Platinum Grey	-CZ		
	991 555 072 16 7J0	Luxor beige	-UZ		
	991 555 072 16 6A0	yachting blue	-EZ		
	991 555 072 16 OA1	agate grey	-DK, BV		
	991 555 072 16 6J0	Espresso	-NE, BH		
	991 555 072 16 N12	Carrera Red	-NG		
(1)	991 555 071 05	Side panel trim Leather two-colour D >> - MJ 2014	left	1	PR:970,981
	991 555 071 05 GEG	Black/Platinum Grey	-BR		
	991 555 071 05 GMG	Black/plat. grey/agate grey/ pebble grey	-BV		
	991 555 071 05 GFI	Black/Luxor Beige	-BL		
	991 555 071 05 DQW	Black/Carrera Red	-BA, BQ		
	991 555 071 05 GRG	Espresso/Cognac	-BH		
(1)	991 555 071 17	Side panel trim Leather two-colour D - MJ 2015>>	left	1	PR:970,981

Model: 991T13 Model life 2014>>

Pos	Part Number	Description	Remark	Qty	Model			
(1)	991 555 071 17 GEG	Black/Platinum Grey	-BR	1	PR:970,981			
	991 555 071 17 GMG	Agate Grey/Pebble Grey	-BV					
	991 555 071 17 GFI	Black/Luxor Beige	-BL					
	991 555 071 17 DQW	Black/Carrera Red	-BA,BQ					
	991 555 071 17 GRG	Espresso/Cognac	-BH					
	991 555 072 05	Side panel trim Leather two-colour D >> - MJ 2014	right					
	991 555 072 05 GEG	Black/Platinum Grey	-BR					
	991 555 072 05 GMG	Black/plat. grey/agate grey/ pebble grey	-BV					
	991 555 072 05 GFI	Black/platinum grey/black/ luxor beige	-BL					
	991 555 072 05 DQW	Black/platinum grey/black/ Carrera red	-BA,BQ					
(1)	991 555 072 05 GRG	Black/platinum grey/espresso/ cognac	-BH	1	PR:970,981			
	991 555 072 17	Side panel trim Leather two-colour D - MJ 2015>>	right					
	991 555 072 17 GEG	Black/Platinum Grey	-BR					
	991 555 072 17 GMG	Agate Grey/Pebble Grey	-BV					
	991 555 072 17 GFI	Black/Luxor Beige	-BL					
	991 555 072 17 DQW	Black/Carrera Red	-BA,BQ					
	991 555 072 17 GRG	Espresso/Cognac	-BH					
	3	991 555 671 02	Rosette Seat belt B-pillar			left	1	
		991 555 671 02 1E0	Black			-AZ, BR, BL, BA, BQ		
		991 555 671 02 6L0	Platinum Grey			-CZ		
991 555 671 02 4H0		Luxor beige	-UZ					
991 555 671 02 2F0		yachting blue	-EZ					
991 555 671 02 OP1		agate grey	-DK, BV					
991 555 671 02 7N0		Espresso	-NE, BH					
991 555 671 02 OW5		Carrera Red	-NG					
991 555 671 02 DE1		Umber	-RK					
(3)		991 555 672 02	Rosette Seat belt B-pillar	right	1			
	991 555 672 02 1E0	Black	-AZ, BR, BL, BA, BQ					
	991 555 672 02 6L0	Platinum Grey	-CZ					
	991 555 672 02 4H0	Luxor beige	-UZ					
	991 555 672 02 2F0	yachting blue	-EZ					
	991 555 672 02 OP1	agate grey	-DK, BV					
	991 555 672 02 7N0	Espresso	-NE, BH					
	991 555 672 02 OW5	Carrera Red	-NG					
	991 555 672 02 DE1	Umber	-RK					
	4	999 073 322 02	fillister hd. bolt M 6 X 20				4	
5	999 507 533 02	Clamp 8,0 X 10,0		3				
6	991 555 875 00	Rubber ply		8				
7	991 555 049 00	Loudspeaker trim	left	1				
	991 555 049 00 1E0	Black	-AZ					
	991 555 049 00 6L0	Platinum Grey	-CZ, BR					
	991 555 049 00 4H0	Luxor beige	-UZ, BL					
	991 555 049 00 2F0	yachting blue	-EZ					
	991 555 049 00 OP1	agate grey	-DK					
	991 555 049 00 OV4	flint grey	-BV					

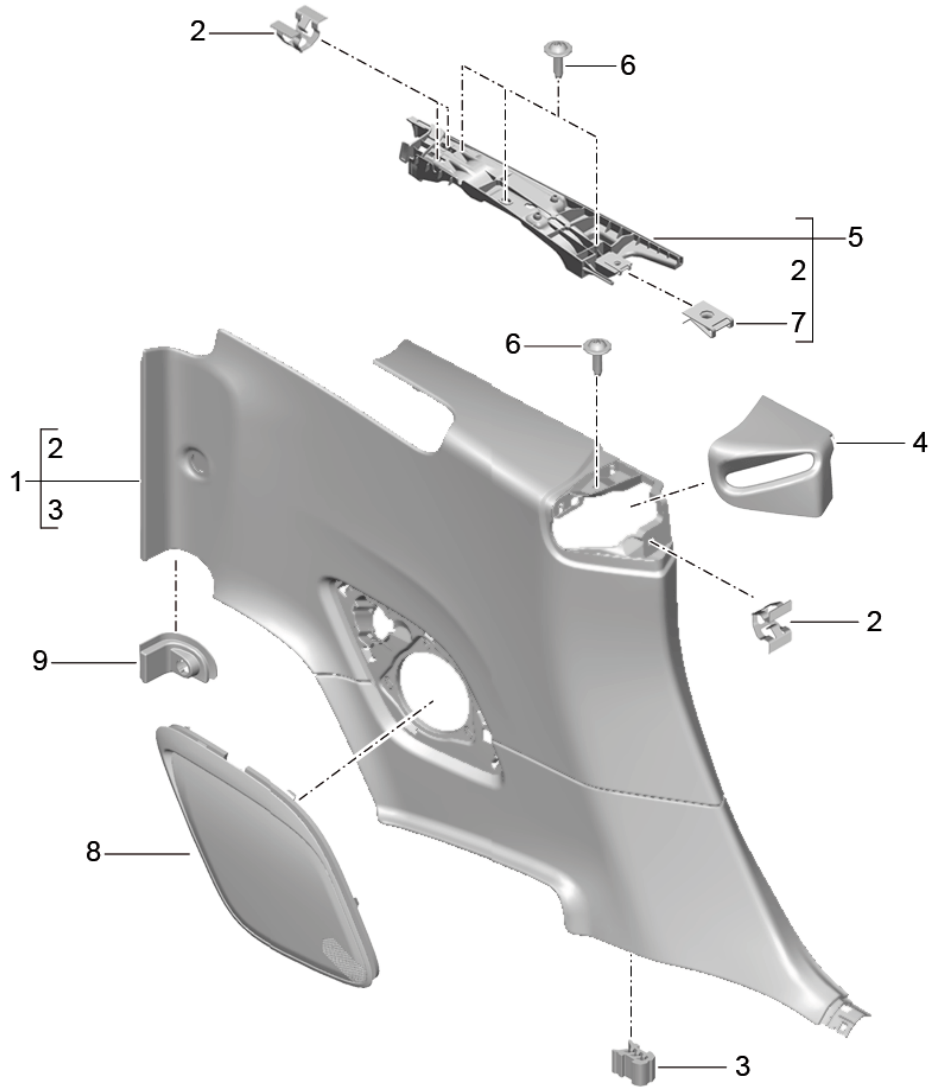
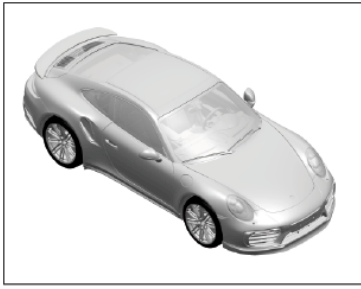
Model: 991T13

Model life 2014>>

Pos	Part Number	Description	Remark	Qty	Model
	991 555 049 00 7N0	Espresso	-NE		
	991 555 049 00 OW5	Carrera Red	-NG,BA,BQ		
	991 555 049 00 DE1	Umber	-RK		
	991 555 049 00 8P0	Cognac	-BH		
(7)	991 555 050 00	Loudspeaker trim	right	1	
	991 555 050 00 1E0	Black	-AZ		
	991 555 050 00 6L0	Platinum Grey	-CZ,BR		
	991 555 050 00 4H0	Luxor beige	-UZ,BL		
	991 555 050 00 2F0	yachting blue	-EZ		
	991 555 050 00 OP1	agate grey	-DK		
	991 555 050 00 OV4	flint grey	-BV		
	991 555 050 00 7N0	Espresso	-NE		
	991 555 050 00 OW5	Carrera Red	-NG,BA,BQ		
	991 555 050 00 DE1	Umber	-RK		
	991 555 050 00 8P0	Cognac	-BH		
8	991 555 701 01	Rosette	left	1	
		Bracket backrest			
(8)	991 555 701 01 1E0	Black			
	991 555 702 01	Rosette	right	1	
		Bracket backrest			
	991 555 702 01 1E0	Black			
9	991 551 017 01	Seat well Carpet		1	
	991 551 017 01 A75	Black	-AZ,BQ		
	991 551 017 01 D75	Platinum Grey	-CZ,BR		
	991 551 017 01 T75	Luxor beige	-UZ,BL		
	991 551 017 01 G75	yachting blue	-EZ		
	991 551 017 01 C75	agate grey	-DK		
	991 551 017 01 E75	flint grey	-BV		
	991 551 017 01 R75	Espresso	-NE		
	991 551 017 01 N10	Carrera Red	-NG,BA		
	991 551 017 01 S75	Umber	-RK		
	991 551 017 01 Q75	Cognac	-BH		
10	999 049 020 40	Plastic nut T5 30 X 5,1		2	
11	991 555 571 00	Carrier Side panel trim	left	1	
(11)	991 555 572 00	Carrier Side panel trim	right	1	

Model: 991T13

Model life 2014>>



Model: 991T13 Model life 2014>>

Pos	Part Number	Description	Remark	Qty	Model
1	991 555 071 16	Side panel trim D - MJ 2017>> Side panel trim	rear left rear	1	CABRIO PR:981,-970, -XTG
	991 555 071 16 A11	Leather Black	-AZ		
	991 555 071 16 OA1	agate grey	-FZ		
	991 555 071 16 OH7	Graphite Blue	-HZ		
	991 555 071 16 OK6	saddle brown	-SZ		
	991 555 071 16 7J0	Luxor beige	-UZ		
	991 555 071 16 OG6	Bordeaux red	-LZ		
	991 555 071 16 JHB	Black/Dark Silver	-TD		
	991 555 071 16 6J0	Espresso	-NE		
(1)	991 555 072 16	Side panel trim	right rear	1	PR:981,-970, -XTG
	991 555 072 16 A11	Leather Black	-AZ		
	991 555 072 16 OA1	agate grey	-FZ		
	991 555 072 16 OH7	Graphite Blue	-HZ		
	991 555 072 16 OK6	saddle brown	-SZ		
	991 555 072 16 7J0	Luxor beige	-UZ		
	991 555 072 16 OG6	Bordeaux red	-LZ		
	991 555 072 16 JHB	Black/Dark Silver	-TD		
	991 555 072 16 6J0	Espresso	-NE		
(1)	991 555 071 17	Side panel trim	left rear	1	PR:981,970, -XTG
	991 555 071 17 GFI	Leather two-colour Black/Luxor Beige	-BT		
	991 555 071 17 GUI	Black/Bordeaux Red	-BM		
	991 555 071 17 GTI	Graphite Blue/Chalk	-BG, TG		
	991 555 071 17 GRG	Espresso/Cognac	-BY		
(1)	991 555 072 17	Side panel trim	right rear	1	PR:981,970, -XTG
	991 555 072 17 GFI	Leather two-colour Black/Luxor Beige	-BT		
	991 555 072 17 GUI	Black/Bordeaux Red	-BM		
	991 555 072 17 GTI	Graphite Blue/Chalk	-BG, TG		
	991 555 072 17 GRG	Espresso/Cognac	-BY		
(1)	991 555 975 02	Side panel trim (leather)	left rear	1	PR:981,-970, XTG
	991 555 975 02 A11	Black	-AZ		
	991 555 975 02 OA1	agate grey	-FZ		
	991 555 975 02 OH7	Graphite Blue	-HZ		
	991 555 975 02 OK6	saddle brown	-SZ		
	991 555 975 02 7J0	Luxor beige	-UZ		
	991 555 975 02 OG6	Bordeaux red	-LZ		
	991 555 975 02 JHB	Black/Dark Silver	-TD		
	991 555 975 02 6J0	Espresso	-NE		
(1)	991 555 976 02	Side panel trim (leather)	right rear	1	PR:981,-970, XTG
	991 555 976 02 A11	Black	-AZ		
	991 555 976 02 OA1	agate grey	-FZ		
	991 555 976 02 OH7	Graphite Blue	-HZ		
	991 555 976 02 OK6	saddle brown	-SZ		
	991 555 976 02 7J0	Luxor beige	-UZ		
	991 555 976 02 OG6	Bordeaux red	-LZ		
	991 555 976 02 JHB	Black/Dark Silver	-TD		
	991 555 976 02 6J0	Espresso	-NE		
(1)	991 555 975 03	Side panel trim (leather)	left rear	1	PR:981,970, XTG
		two-colour			

Model: 991T13 Model life 2014>>

Pos	Part Number	Description	Remark	Qty	Model
(1)	991 555 975 03 GFI	Black/Luxor Beige	-BT	1	PR:981,970, XTG
	991 555 975 03 GUI	Black/Bordeaux Red	-BM		
	991 555 975 03 GTI	Graphite Blue/Chalk	-BG,TG		
	991 555 975 03 GRG	Espresso/Cognac	-BY		
	991 555 976 03	Side panel trim (leather)	right rear		
2		two-colour		X	
	991 555 976 03 GFI	Black/Luxor Beige	-BT		
	991 555 976 03 GUI	Black/Bordeaux Red	-BM		
	991 555 976 03 GTI	Graphite Blue/Chalk	-BG,TG		
	991 555 976 03 GRG	Espresso/Cognac	-BY		
3	999 507 533 02	Clamp		X	
		8,0 X 10,0			
3	991 555 875 00	Rubber ply		4	
(4)	991 555 671 04	Rosette	left	1	
		Seat belt			
		B-pillar			
	991 555 671 04 5Q0	Black	-AZ,BT,BM,TD		
	991 555 671 04 OA6	agate grey	-FZ		
	991 555 671 04 OH7	Graphite Blue	-HZ,BG,TG		
	991 555 671 04 OL7	saddle brown	-SZ		
	991 555 671 04 6W0	Luxor beige	-UZ		
	991 555 671 04 OG6	Bordeaux red	-LZ		
	991 555 671 04 3T0	Espresso	-NE,BY		
	991 555 672 04	Rosette	right	1	
		Seat belt			
		B-pillar			
	991 555 672 04 5Q0	Black	-AZ,BT,BM,TD		
	991 555 672 04 OA6	agate grey	-FZ		
991 555 672 04 OH7	Graphite Blue	-HZ,BG,TG			
991 555 672 04 OL7	saddle brown	-SZ			
991 555 672 04 6W0	Luxor beige	-UZ			
991 555 672 04 OG6	Bordeaux red	-LZ			
991 555 672 04 3T0	Espresso	-NE,BY			
5	991 555 571 02	Carrier	left	1	
(5)		Side panel trim			
	991 555 572 02	Carrier	right	1	
		Side panel trim			
6	999 073 322 02	fillister hd. bolt		X	
		M 6 X 20			
7	999 507 246 01	panel nut		2	
		M6			
(8)	991 555 049 00	Loudspeaker trim	left	1	
	991 555 049 00 1E0	Black	-AZ,TD		
	991 555 049 00 OP1	agate grey	-FZ		
	991 555 049 00 OH7	Graphite Blue	-HZ		
	991 555 049 00 OM8	saddle brown	-SZ		
	991 555 049 00 4H0	Luxor beige	-UZ,BT		
	991 555 049 00 OG6	Bordeaux red	-LZ,BM		
	991 555 049 00 OL8	Chalk	-BG,TG		
	991 555 049 00 7N0	Espresso	-NE		
	991 555 049 00 8P0	Cognac	-BY		
	991 555 050 00	Loudspeaker trim	right	1	
	991 555 050 00 1E0	Black	-AZ,TD		
	991 555 050 00 OP1	agate grey	-FZ		
	991 555 050 00 OH7	Graphite Blue	-HZ		
	991 555 050 00 OM8	saddle brown	-SZ		
991 555 050 00 4H0	Luxor beige	-UZ,BT			
991 555 050 00 OG6	Bordeaux red	-LZ,BM			
991 555 050 00 OL8	Chalk	-BG,TG			
991 555 050 00 7N0	Espresso	-NE			
991 555 050 00 8P0	Cognac	-BY			
9	991 555 701 01	Rosette	left	1	

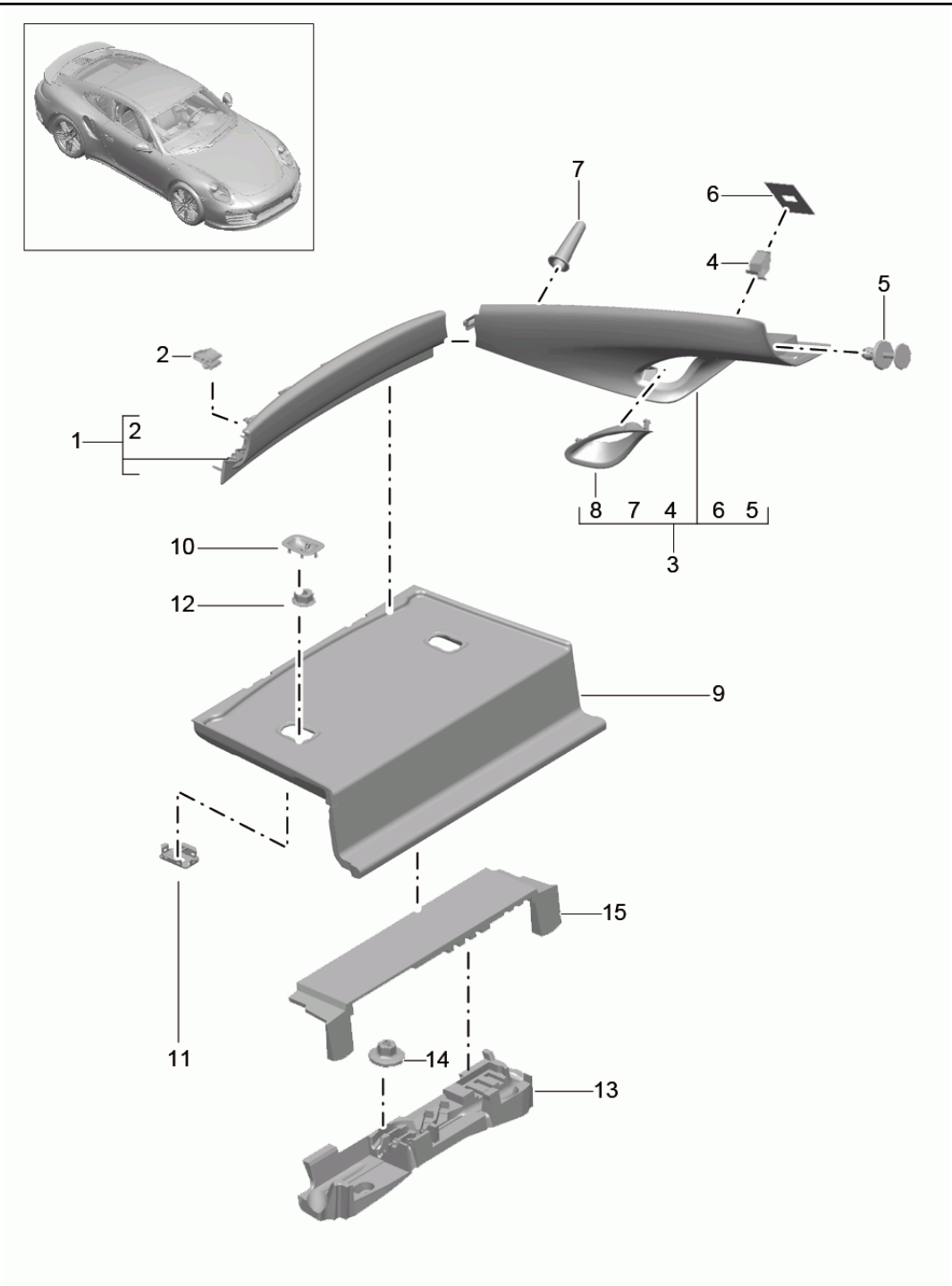
Model: 991T13

Model life 2014>>

Pos	Part Number	Description	Remark	Qty	Model
(9)	991 555 701 01 1E0 991 555 702 01 991 555 702 01 1E0	Bracket backrest Black Rosette Bracket backrest Black	right	1	

Model: 991T13

Model life 2014>>





Model: 991T13 Model life 2014>>

Pos	Part Number	Description	Remark	Qty	Model
		Linings c-pillar	rear		COUPE
1	991 555 093 04	D >> - MJ 2016 Rear panel trim		1	PR:426
	991 555 093 04 A75	Carpet Black	-AZ, BR, BL, BA, BQ		
	991 555 093 04 D75	Platinum Grey	-CZ		
	991 555 093 04 T75	Luxor beige	-UZ		
	991 555 093 04 G75	yachting blue	-EZ		
	991 555 093 04 C75	agate grey	-DK, BV		
	991 555 093 04 R75	Espresso	-NE, BH		
	991 555 093 04 N10	Carrera Red	-NG		
	991 555 093 04 S75	Umber	-RK		
1	991 555 093 05	Rear panel trim		1	PR:425
	991 555 093 05 A75	Carpet Black	-AZ, BR, BL, BA, BQ		
	991 555 093 05 D75	Platinum Grey	-CZ		
	991 555 093 05 T75	Luxor beige	-UZ		
	991 555 093 05 G75	yachting blue	-EZ		
	991 555 093 05 C75	agate grey	-DK, BV		
	991 555 093 05 R75	Espresso	-NE, BH		
	991 555 093 05 N10	Carrera Red	-NG		
	991 555 093 05 S75	Umber	-RK		
2	999 507 130 01	U-clip		7	
3	991 555 187 01	C-pillar trim (Alcantara)	left	1	PR:594
	991 555 187 01 2W0	Black	-AZ, EZ, BR, BL, BA, NG, 99		+BQ
	991 555 187 01 8U3	Platinum Grey	-CZ		
	991 555 187 01 9U1	Luxor beige	-UZ		
	991 555 187 01 OU5	agate grey	-DK, BV		
	991 555 187 01 9U7	Espresso	-NE, BH		
3	991 555 188 01	C-pillar trim (Alcantara)	right	1	PR:594
	991 555 188 01 2W0	Black	-AZ, EZ, BR, BL, BA, NG, 99		+BQ
	991 555 188 01 8U3	Platinum Grey	-CZ		
	991 555 188 01 9U1	Luxor beige	-UZ		
	991 555 188 01 OU5	agate grey	-DK, BV		
	991 555 188 01 9U7	Espresso	-NE, BH		
4	999 507 839 01	Clip 3,5		2	
5	N 107 009 01	Spreader rivet		1	
6	999 209 084 40	Distance piece 25 X 20 X 25		2	
7	996 555 857 00	Grommet		3	
8	991 555 545 00	Rosette	left	1	PR:594
	991 555 545 00 1E0	Seat belt Black	rear -AZ, EZ, BR, BL, BA, BQ, NG, 99		
	991 555 545 00 6L0	Platinum Grey	-CZ		
	991 555 545 00 4H0	Luxor beige	-UZ		
	991 555 545 00 OP1	agate grey	-DK, BV		
	991 555 545 00 7N0	Espresso	-NE, BH		
8	991 555 546 00	Rosette	right	1	PR:594
	991 555 546 00 1E0	Seat belt Black	rear -AZ, EZ, BR, BL, BA, BQ, NG, 99		
	991 555 546 00 6L0	Platinum Grey	-CZ		
	991 555 546 00 4H0	Luxor beige	-UZ		
	991 555 546 00 OP1	agate grey	-DK, BV		

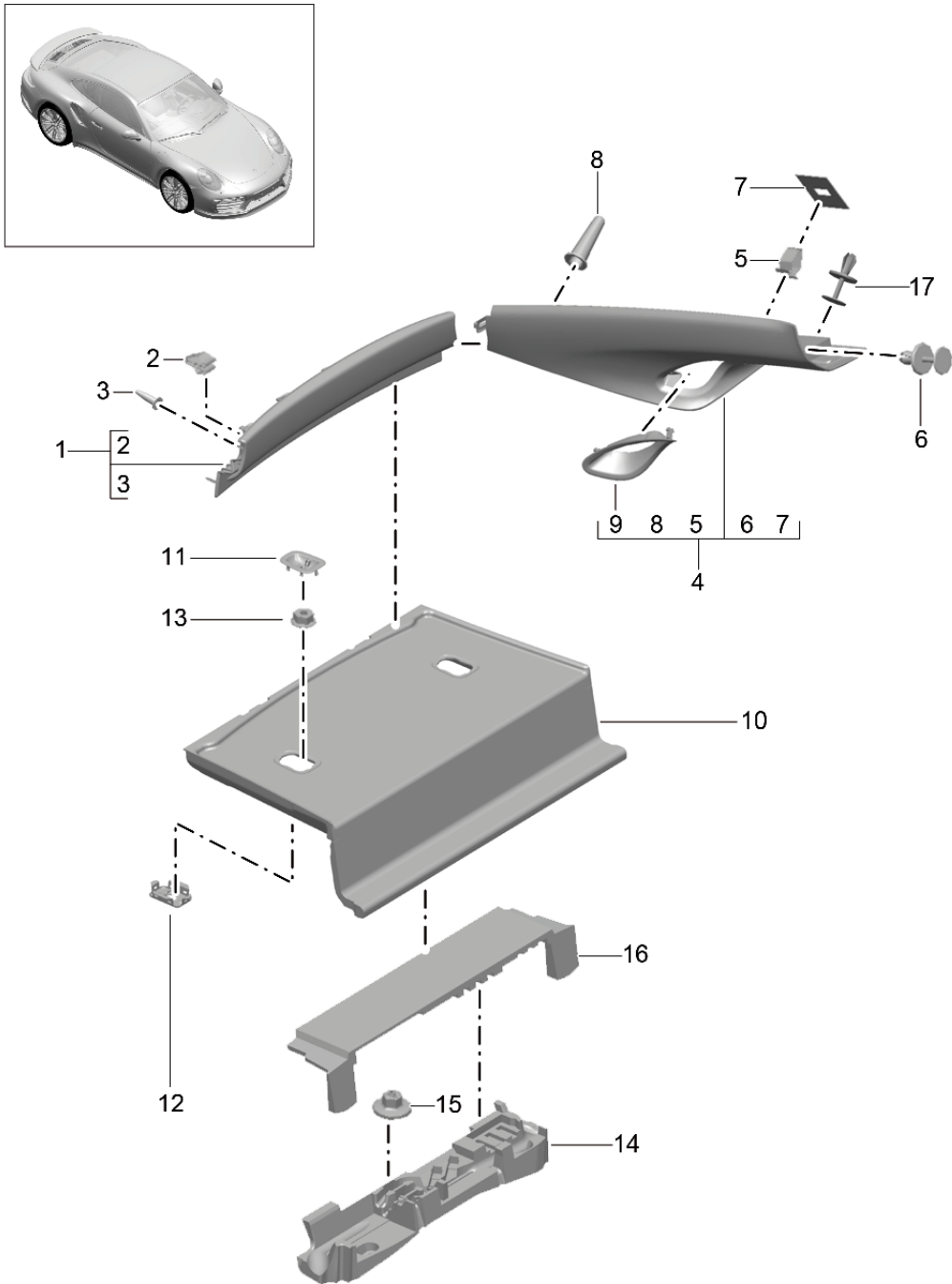
Model: 991T13

Model life 2014>>

Pos	Part Number	Description	Remark	Qty	Model			
9	991 555 546 00 7N0	Espresso	-NE, BH	1	PR:685			
	991 551 031 02	Trim	rear					
	991 551 031 02 A75	Carpet Black	-AZ, BR, BL, BA, BQ					
	991 551 031 02 D75	Platinum Grey	-CZ					
	991 551 031 02 T75	Luxor beige	-UZ					
	991 551 031 02 G75	yachting blue	-EZ					
	991 551 031 02 C75	agate grey	-DK, BV					
	991 551 031 02 R75	Espresso	-NE, BH					
	991 551 031 02 N10	Carrera Red	-NG					
	(10)	991 551 587 02	Trim				2	PR:685
991 551 587 02 1E0		Trim Black	-AZ, BR, BL, BA, BQ					
991 551 587 02 6L0		Platinum Grey	-CZ					
991 551 587 02 4H0		Luxor beige	-UZ					
991 551 587 02 2F0		yachting blue	-EZ					
991 551 587 02 OP1		agate grey	-DK, BV					
991 551 587 02 7N0		Espresso	-NE, BH					
991 551 587 02 OW5		Carrera Red	-NG					
11		991 551 585 02	Retainer for trim		2	PR:685		
12		N 015 082 13	Hexagon collar nut M 6		4			
13	991 551 581 01	Foam part Control units		1				
14	999 049 032 40	Hexagon plastic collar nut T6 /22 X 10,5		2				
15	991 551 583 01	Cover Foam part		1				

Model: 991T13

Model life 2014>>



Model: 991T13 Model life 2014>>

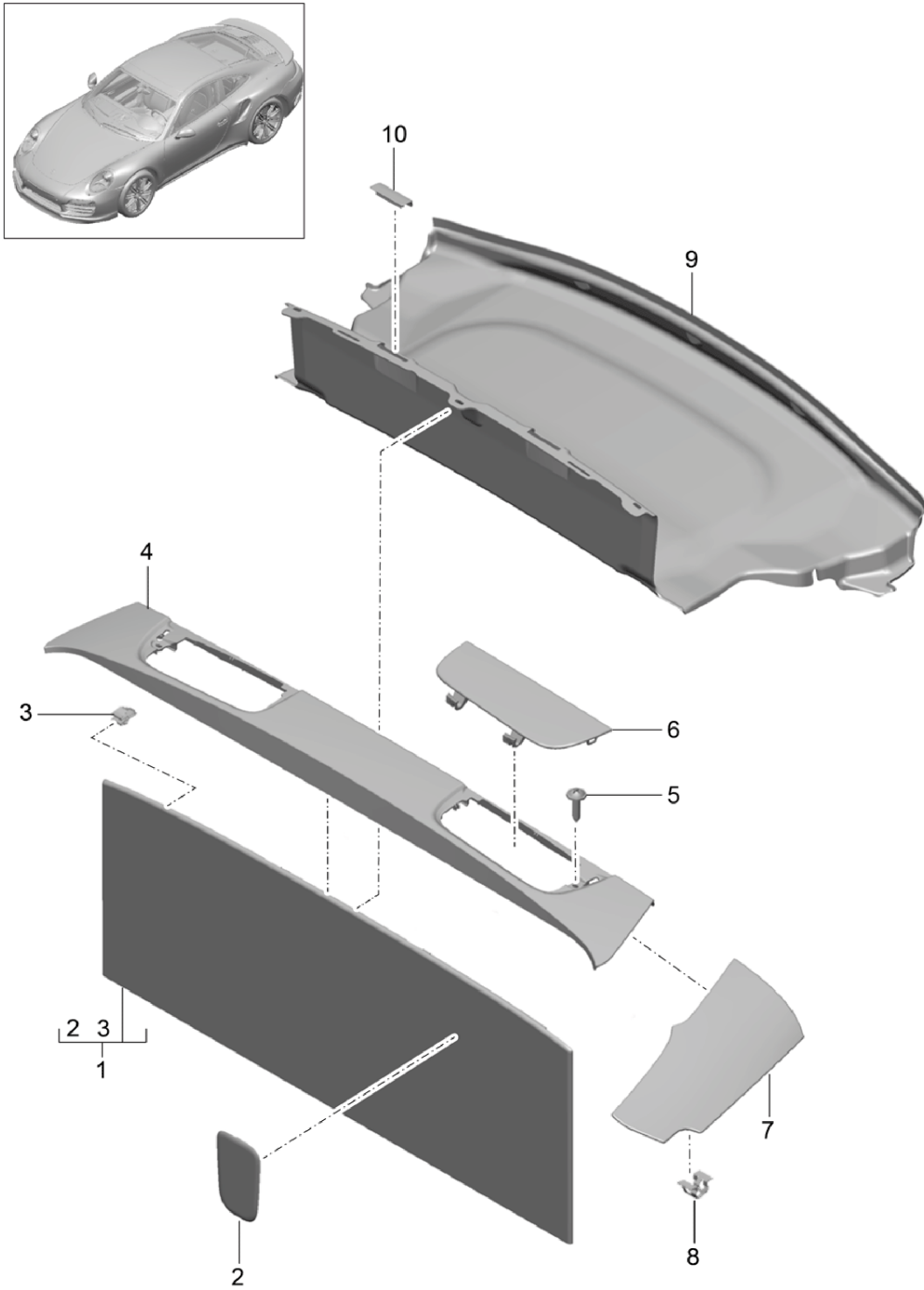
Pos	Part Number	Description	Remark	Qty	Model
1	991 555 093 08	Linings c-pillar D - MJ 2017>> Rear panel trim Carpet	rear	1	COUPE
	991 555 093 08 A75	Black	-AZ, BT, BM, TD		
	991 555 093 08 C75	agate grey	-FZ		
	991 555 093 08 OH7	Graphite Blue	-HZ, BG, TG		
	991 555 093 08 CH6	saddle brown	-SZ		
	991 555 093 08 T75	Luxor beige	-UZ		
	991 555 093 08 OG6	Bordeaux red	-LZ		
	991 555 093 08 R75	Espresso	-NE, BY		
2	999 507 130 01	U-clip		7	
3	9P1 863 275	Grommet		2	
			short		
(3)	9P1 863 275 A	Grommet		2	
			long		
4	991 555 187 01	C-pillar trim (Alcantara) D >> - MJ 2017	left	1	
	991 555 187 01 2W0	Black	-AZ, SZ, LZ, BT, BM, TD		
	991 555 187 01 OU5	agate grey	-FZ		
	991 555 187 01 OH7	Graphite Blue	-HZ, BG, TG		
	991 555 187 01 9U1	Luxor beige	-UZ		
	991 555 187 01 9U7	Espresso	-NE, BY		
(4)	9P1 867 287 B	C-pillar trim (Alcantara) D - MJ 2018>>	left	1	PR:594
	9P1 867 287 B 2W0	Black	-AZ, SZ, LZ, BT, BM, TD, 60		
	9P1 867 287 B OU5	agate grey	-FZ		
	9P1 867 287 B OH7	Graphite Blue	-HZ, BG, TG		
	9P1 867 287 B 9U7	Espresso	-NE, BY		
(4)	9P1 867 287 C	C-pillar trim (Alcantara) D - MJ 2018>>	left	1	GT2RS PR:594
	9P1 867 287 C 2W0	Black	-68, 78		
	9P1 867 287 C N13	Black	-43, 63		
(4)	991 555 188 01	C-pillar trim (Alcantara) D >> - MJ 2017	right	1	
	991 555 188 01 2W0	Black	-AZ, SZ, LZ, BT, BM, TD		
	991 555 188 01 OU5	agate grey	-FZ		
	991 555 188 01 OH7	Graphite Blue	-HZ, BG, TG		
	991 555 188 01 9U1	Luxor beige	-UZ		
	991 555 188 01 9U7	Espresso	-NE, BY		
(4)	9P1 867 288 B	C-pillar trim (Alcantara) D - MJ 2018>>	right	1	PR:594
	9P1 867 288 B 2W0	Black	-AZ, SZ, LZ, BT, BM, TD, 60		
	9P1 867 288 B OU5	agate grey	-FZ		
	9P1 867 288 B OH7	Graphite Blue	-HZ, BG, TG		
	9P1 867 288 B 9U7	Espresso	-NE, BY		
(4)	9P1 867 288 C	C-pillar trim (Alcantara) D - MJ 2018>>	right	1	GT2RS PR:594
	9P1 867 288 C 2W0	Black	-68, 78		
	9P1 867 288 C N13	Black	-43, 63		
5	999 507 839 01	Clip 3,5		4	

Model: 991T13 Model life 2014>>

Pos	Part Number	Description	Remark	Qty	Model
6	N 107 009 01	Spreader rivet B4,5 X 11,5		4	
7	999 209 084 40	Distance piece 25 X 20 X 0,5		4	
8	996 555 857 00	Grommet		6	
9	991 555 545 00	Rosette	left	1	
		Seat belt	rear		
	991 555 545 00 1E0	Black	-AZ, SZ, LZ, BT, BM, TD		
	991 555 545 00 OP1	agate grey	-FZ		
	991 555 545 00 OH7	Graphite Blue	-HZ, BG, TG		
	991 555 545 00 4H0	Luxor beige	-UZ		
	991 555 545 00 7N0	Espresso	-NE, BY		
(9)	991 555 546 00	Rosette	right	1	
		Seat belt	rear		
	991 555 546 00 1E0	Black	-AZ, SZ, LZ, BT, BM, TD		
	991 555 546 00 OP1	agate grey	-FZ		
	991 555 546 00 OH7	Graphite Blue	-HZ, BG, TG		
	991 555 546 00 4H0	Luxor beige	-UZ		
	991 555 546 00 7N0	Espresso	-NE, BY		
10	991 551 031 02	Trim	rear	1	PR:685
		Carpet			
	991 551 031 02 A75	Black	-AZ, BT, BM, TD		
	991 551 031 02 C75	agate grey	-FZ		
	991 551 031 02 OH7	Graphite Blue	-HZ, BG, TG		
	991 551 031 02 CH6	saddle brown	-SZ		
	991 551 031 02 T75	Luxor beige	-UZ		
	991 551 031 02 OG6	Bordeaux red	-LZ		
	991 551 031 02 R75	Espresso	-NE, BY		
11	991 551 587 02	Trim		2	PR:685
		Trim			
	991 551 587 02 1E0	Black	-AZ, BT, BM, TD		
	991 551 587 02 OP1	agate grey	-FZ		
	991 551 587 02 OH7	Graphite Blue	-HZ, BG, TG		
	991 551 587 02 OM8	saddle brown	-SZ		
	991 551 587 02 4H0	Luxor beige	-UZ		
	991 551 587 02 OG6	Bordeaux red	-LZ		
	991 551 587 02 7N0	Espresso	-NE, BY		
12	991 551 585 02	Retainer for trim		2	PR:685
13	N 015 082 13	Hexagon collar nut M 6		4	
14	991 551 581 01	Foam part Control units		1	
15	999 049 032 40	Hexagon plastic collar nut T6 /22 X 10,5		2	
16	991 551 583 01	Cover Foam part		1	
17	N 105 835 01	Spreader rivet D - MJ 2018>>		1	

Model: 991T13

Model life 2014>>



Model: 991T13

Model life 2014>>

Pos	Part Number	Description	Remark	Qty	Model
1	991 555 081 02	Trim Rear panel trim Carpet	rear	1	CABRIO
	991 555 081 02 A75	Black	-AZ,BQ		
	991 555 081 02 D75	Platinum Grey	-CZ,BR		
	991 555 081 02 T75	Luxor beige	-UZ,BL		
	991 555 081 02 G75	yachting blue	-EZ		
	991 555 081 02 C75	agate grey	-DK		
	991 555 081 02 E75	flint grey	-BV		
	991 555 081 02 R75	Espresso	-NE		
	991 555 081 02 N10	Carrera Red	-BA,NG		
	991 555 081 02 Q75	Cognac	-BH		
(1)	991 555 081 03	Rear panel trim Carpet		1	PR:479
	991 555 081 03 A75	Black	-AZ,BQ		
	991 555 081 03 D75	Platinum Grey	-CZ,BR		
	991 555 081 03 T75	Luxor beige	-UZ,BL		
	991 555 081 03 G75	yachting blue	-EZ		
	991 555 081 03 C75	agate grey	-DK		
	991 555 081 03 E75	flint grey	-BV		
	991 555 081 03 R75	Espresso	-NE		
	991 555 081 03 N10	Carrera Red	-BA,NG		
	991 555 081 03 Q75	Cognac	-BH		
2	991 555 785 00	Cover Trim rear panel		2	PR:479
	991 555 785 00 1E0	Black	-AZ,BQ		
	991 555 785 00 6L0	Platinum Grey	-CZ,BR		
	991 555 785 00 4H0	Luxor beige	-UZ,BL		
	991 555 785 00 2F0	yachting blue	-EZ		
	991 555 785 00 OP1	agate grey	-DK		
	991 555 785 00 OV4	flint grey	-BV		
	991 555 785 00 7N0	Espresso	-NE		
	991 555 785 00 OW5	Carrera Red	-BA,NG		
	991 555 785 00 8P0	Cognac	-BH		
3	999 507 130 01	U-clip 1,2 - 1,7		5	
4	991 555 083 00	Cover	center	1	
	991 555 083 00 A10	Black			
	991 555 083 00 R17	brown			
	991 555 083 00 L02	red			
	991 555 083 00 G38	blue			
5	999 073 062 02	panel screw 4,8 X 19		2	
6	991 555 341 00	Flap Cover	left	1	
	991 555 341 00 A10	Black			
	991 555 341 00 R17	brown			
	991 555 341 00 L02	red			
	991 555 341 00 G38	blue			
(6)	991 555 342 00	Flap Cover	right	1	
	991 555 342 00 A10	Black			
	991 555 342 00 R17	brown			
	991 555 342 00 L02	red			
	991 555 342 00 G38	blue			
7	991 555 263 00	Flap c-pillar	left	1	
	991 555 263 00 A10	Black			
	991 555 263 00 R17	brown			
	991 555 263 00 L02	red			
	991 555 263 00 G38	blue			
(7)	991 555 264 00	Flap	right	1	

Model: 991T13

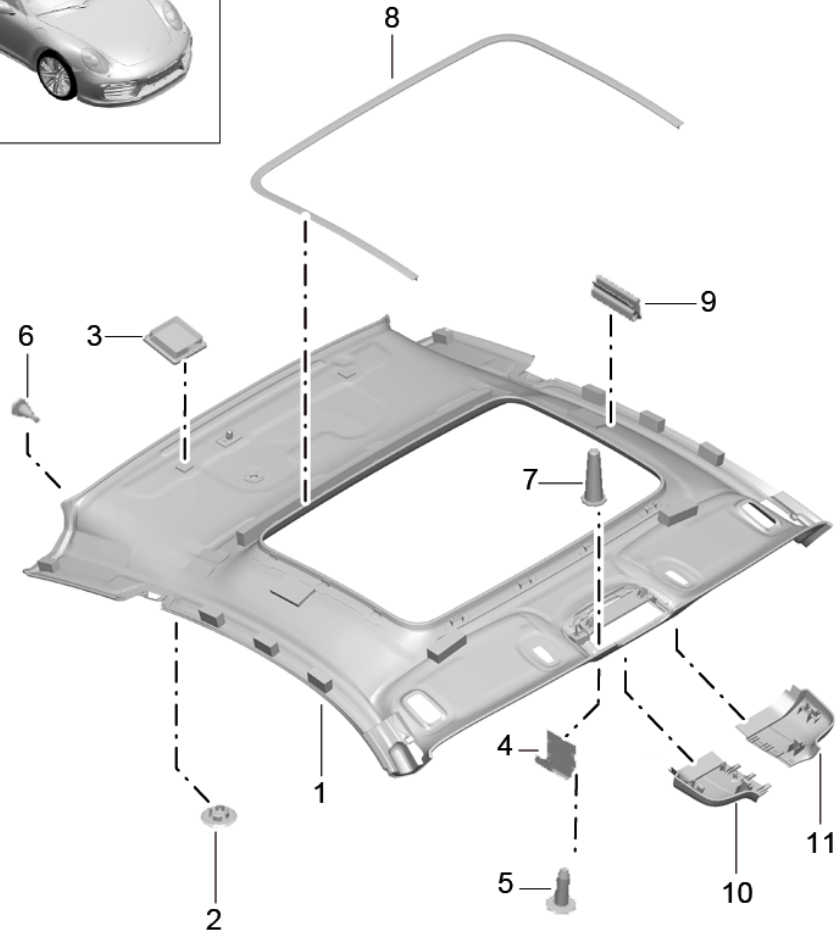
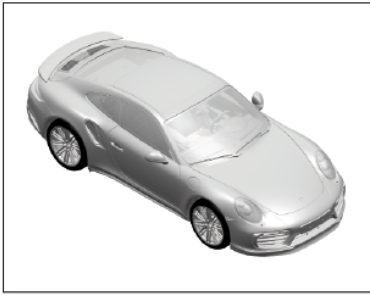
Model life 2014>>

Pos	Part Number	Description	Remark	Qty	Model
	991 555 264 00 A10	c-pillar Black			
	991 555 264 00 R17	brown			
	991 555 264 00 L02	red			
	991 555 264 00 G38	blue			
8	999 507 533 02	Clamp		7	
9	991 551 035 00	Trim		1	
		Carpet tray			
		Convertible top			
	991 551 035 00 A31	Black			
10	991 561 663 00	shelf		2	
		Convertible top			



Model: 991T13

Model life 2014>>



Model: 991T13 Model life 2014>>

Pos	Part Number	Description	Remark	Qty	Model
1	991 555 091 08	roof trim D >> - MJ 2016 roof trim Alcantara without:		1	COUPE PR:594,631, 652,-553, -632,-852
	991 555 091 08 2W0	Sunroof D - MJ 2014>> Discontinued part Black	-AZ, EZ, BR, BL, BA, BQ, NG, 99		
	991 555 091 08 8U3	Platinum Grey	-CZ		
	991 555 091 08 9U1	Luxor beige	-UZ		
	991 555 091 08 OU5	agate grey	-DK, BV		
	991 555 091 08 9U7	Espresso	-NE, BH		
(1)	991 555 091 08	roof trim Alcantara without:		1	PR:594,632, 652,852,-553
	991 555 091 08 2W0	Sunroof D - MJ 2014>> Discontinued part Black	-AZ, EZ, BR, BL, BA, BQ, NG, 99		
	991 555 091 08 8U3	Platinum Grey	-CZ		
	991 555 091 08 9U1	Luxor beige	-UZ		
	991 555 091 08 OU5	agate grey	-DK, BV		
	991 555 091 08 9U7	Espresso	-NE, BH		
(1)	991 555 091 10	roof trim Alcantara with:		1	PR:594,631, 651,653, -632,-852, -553
	991 555 091 10 2W0	Sunroof D - MJ 2014>> Discontinued part Black	-AZ, EZ, BR, BL, BA, BQ, NG, 99		
	991 555 091 10 8U3	Platinum Grey	-CZ		
	991 555 091 10 9U1	Luxor beige	-UZ		
	991 555 091 10 OU5	agate grey	-DK, BV		
	991 555 091 10 9U7	Espresso	-NE, BH		
(1)	991 555 091 10	roof trim Alcantara with:		1	PR:594,632, 651,653,852, -553
	991 555 091 10 2W0	Sunroof D - MJ 2014>> Discontinued part Black	-AZ, EZ, BR, BL, BA, BQ, NG, 99		
	991 555 091 10 8U3	Platinum Grey	-CZ		
	991 555 091 10 9U1	Luxor beige	-UZ		
	991 555 091 10 OU5	agate grey	-DK, BV		
	991 555 091 10 9U7	Espresso	-NE, BH		
(1)	991 555 091 12	roof trim Alcantara without:		1	PR:594,652
	991 555 091 12 2W0	Sunroof Discontinued part Black	-AZ, EZ, BR, BL, BA, BQ, NG, 99		
	991 555 091 12 8U3	Platinum Grey	-CZ		
	991 555 091 12 9U1	Luxor beige	-UZ		
	991 555 091 12 OU5	agate grey	-DK, BV		
	991 555 091 12 9U7	Espresso	-NE, BH		
(1)	991 555 091 14	roof trim Alcantara		1	PR:594,653

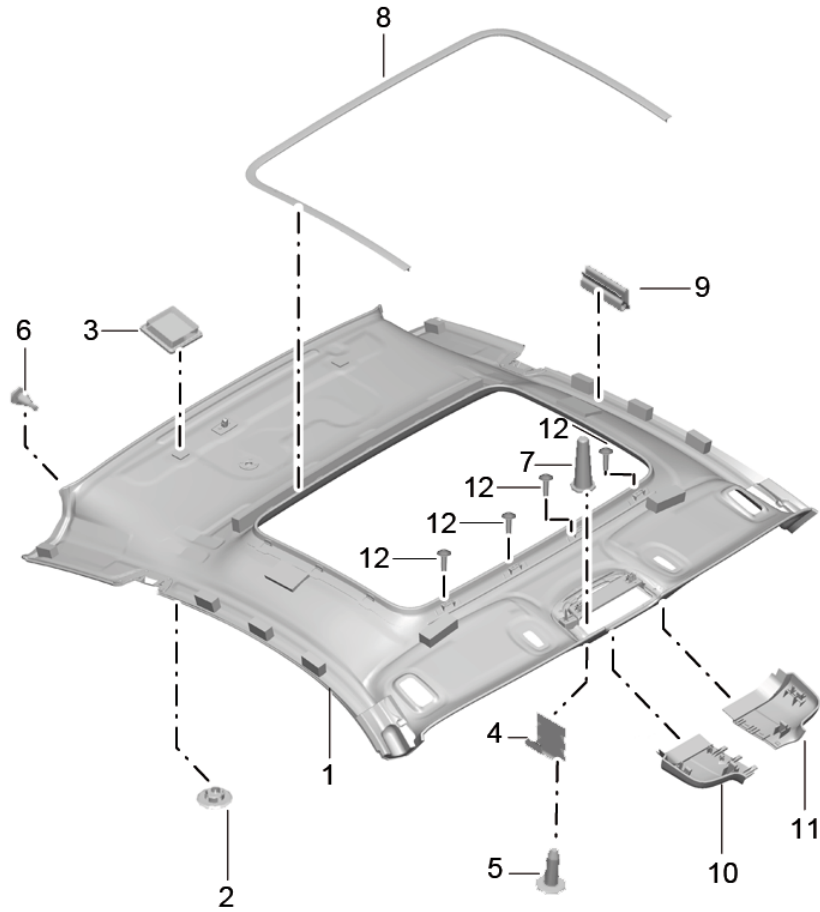
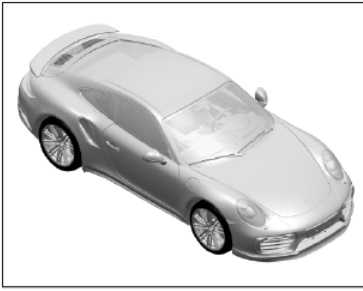
Model: 991T13

Model life 2014>>

Pos	Part Number	Description	Remark	Qty	Model
		Sunroof Discontinued part Black	with: -AZ, EZ, BR, BL, BA, BQ, NG, 99		
	991 555 091 14 2W0				
	991 555 091 14 8U3	Platinum Grey	-CZ		
	991 555 091 14 9U1	Luxor beige	-UZ		
	991 555 091 14 0U5	agate grey	-DK, BV		
	991 555 091 14 9U7	Espresso	-NE, BH		
2	991 555 791 00	Cover Emergency operation Sunroof Black		1	PR:651,653
	991 555 791 00 1E0		-AZ, EZ, BR, BL, BA, BQ, NG, 99		
	991 555 791 00 6L0	Platinum Grey	-CZ		
	991 555 791 00 4H0	Luxor beige	-UZ		
	991 555 791 00 OP1	agate grey	-DK, BV		
	991 555 791 00 7N0	Espresso	-NE, BH		
3	7PP 867 300	Clip		3	
4	958 731 633 00	Clamp		2	
5	999 073 339 09	A-pillar panel screw ST 4,2 X 13		2	
6	999 703 041 40	Rubber buffer		4	
7	996 555 857 00	Grommet		1	
8	991 555 591 01	A-pillar Cover frame		1	
9	999 651 415 01	Clip Cover frame		11	
10	991 555 525 00	Cover Aerial	left	1	
(10)	991 555 525 00 1E0	Black			
	991 555 525 01	Cover Aerial	left	1	PR:631,632, 852
	991 555 525 01 1E0	Black			
11	991 555 526 00	Cover Aerial	right	1	
	991 555 526 00 1E0	Black			
(11)	991 555 526 01	Cover Aerial	right	1	PR:631,632, 852
	991 555 526 01 1E0	Black			
12	999 073 142 09	panel screw 4,2 X 19 Mount roof trim Sunroof		4	PR:651,653

Model: 991T13

Model life 2014>>



Model: 991T13

Model life 2014>>

Pos	Part Number	Description	Remark	Qty	Model
1	991 555 091 20	roof trim D - MJ 2017>> roof trim Alcantara		1	COUPE
		without:			
	991 555 091 20 2W0	Sunroof Black	-AZ, SZ, LZ, BT, BM, TD, 99		
	991 555 091 20 OU5	agate grey	-FZ		
	991 555 091 20 9U1	Luxor beige	-UZ		
	991 555 091 20 OH7	Graphite Blue	-HZ, BG, TG		
	991 555 091 20 9U7	Espresso	-NE, BY		
(1)	991 555 091 22	roof trim Alcantara		1	
		with:			
	991 555 091 22 2W0	Sunroof Black	-AZ, SZ, LZ, BT, BM, TD, 99		
	991 555 091 22 OU5	agate grey	-FZ		
	991 555 091 22 9U1	Luxor beige	-UZ		
	991 555 091 22 OH7	Graphite Blue	-HZ, BG, TG		
	991 555 091 22 9U7	Espresso	-NE, BY		
(1)	991 555 091 16	roof trim Alcantara		1	
		without:			
	991 555 091 16 2W0	Sunroof Black	-AZ, SZ, LZ, BT, BM, TD, 99		
	991 555 091 16 OU5	agate grey	-FZ		
	991 555 091 16 9U1	Luxor beige	-UZ		
	991 555 091 16 OH7	Graphite Blue	-HZ, BG, TG		
	991 555 091 16 9U7	Espresso	-NE, BY		
(1)	991 555 091 18	roof trim Alcantara		1	
		with:			
	991 555 091 18 2W0	Sunroof Black	-AZ, SZ, LZ, BT, BM, TD, 99		
	991 555 091 18 OU5	agate grey	-FZ		
	991 555 091 18 9U1	Luxor beige	-UZ		
	991 555 091 18 OH7	Graphite Blue	-HZ, BG, TG		
	991 555 091 18 9U7	Espresso	-NE, BY		
(1)	9P1 867 501	roof trim Alcantara		1	PR:594,652, -553
		without:			
	9P1 867 501 2W0	Sunroof D - MJ 2018>> Black	-43,63		
	9P1 867 501 N13	red	-68,78		
(1)	9P1 867 501	roof trim Alcantara		1	PR:594,652, -631,-632, -852
		without:			
	9P1 867 501 2W0	Sunroof D - MJ 2018>> Black	-AZ, SZ, LZ, BT, BM, TD, 99		
	9P1 867 501 OU5	agate grey	-FZ		
	9P1 867 501 OH7	agate grey	-HZ, BG, TG		
	9P1 867 501 9U7	Espresso	-NE, BY		
(1)	9P1 867 501 A	roof trim Alcantara		1	PR:594,-652, -631,-632, -852
		without:			
		Sunroof			

Model: 991T13 Model life 2014>>

Pos	Part Number	Description	Remark	Qty	Model
	9P1 867 501 A 2W0	D - MJ 2018>> Black	-AZ, SZ, LZ, BT, BM, TD, 99, 60		
	9P1 867 501 A OU5	agate grey	-FZ		
	9P1 867 501 A OH7	Graphite Blue	-HZ, BG, TG		
	9P1 867 501 A 9U7	Espresso	-NE, BY		
(1)	9P1 867 501 B	roof trim Alcantara		1	PR:594, 652, 631, 632
		without: Sunroof			
	9P1 867 501 B 2W0	D - MJ 2018>> Black	-AZ, SZ, LZ, BT, BM, TD, 99, 60		
	9P1 867 501 B OU5	agate grey	-FZ		
	9P1 867 501 B OH7	Graphite Blue	-HZ, BG, TG		
	9P1 867 501 B 9U7	Espresso	-NE, BY		
(1)	9P1 867 501 C	roof trim Alcantara		1	PR:594, -652, 631, 632
		without: Sunroof			
	9P1 867 501 C 2W0	D - MJ 2018>> Black	-AZ, SZ, LZ, BT, BM, TD, 99, 60		
	9P1 867 501 C OU5	agate grey	-FZ		
	9P1 867 501 C OH7	Graphite Blue	-HZ, BG, TG		
	9P1 867 501 C 9U7	Espresso	-NE, BY		
(1)	9P1 867 501 H	roof trim Alcantara		1	PR:594, 652, 632, 852, 028
		without: Sunroof			
	9P1 867 501 H HJG	D - MJ 2018>> Black/Gold-yellow	-60		
2	991 555 791 00	Cover Emergency operation Sunroof		1	
	991 555 791 00 1E0	Black	-AZ, SZ, LZ, BT, BM, TD, 99		
	991 555 791 00 4H0	Luxor beige	-UZ		
	991 555 791 00 OP1	agate grey	-FZ		
	991 555 791 00 7N0	Espresso	-NE, BY		
	991 555 791 00 OH7	Graphite Blue	-HZ, BG, TG		
3	7PP 867 300	Clip		2	
4	958 731 633 00	Clamp		2	
5	999 073 339 09	panel screw ST 4,2 X 13		2	
6	999 703 041 40	Rubber buffer		4	
7	996 555 857 00	Grommet		1	
8	991 555 591 01	Cover frame		1	
9	999 651 415 01	Clip Cover frame		11	
10	991 555 525 00	Cover GPS-ANTENNE	left	1	
	991 555 525 00 1E0	Black			
(10)	991 555 525 02	Cover Aerial	left	1	
	991 555 525 02 1E0	Black			
11	991 555 526 00	Cover GPS-ANTENNE	right	1	
	991 555 526 00 1E0	Black			
11	991 555 526 02	Cover Aerial	right	1	
	991 555 526 02 1E0	Black			
12	999 073 142 09	panel screw		4	

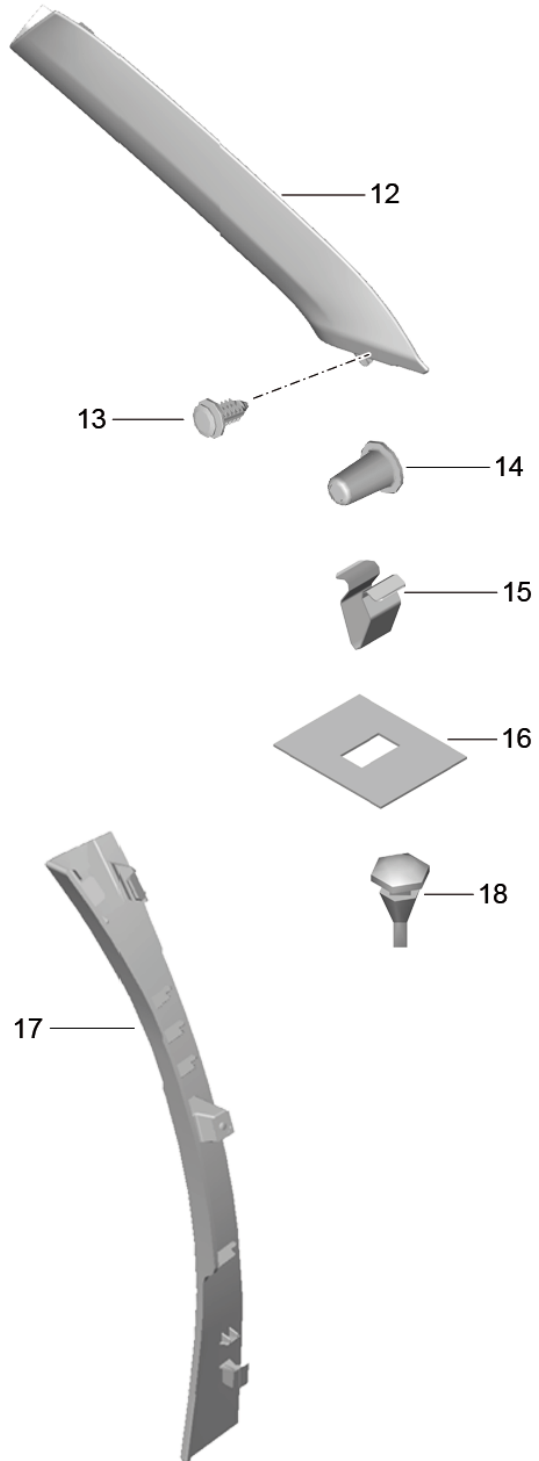
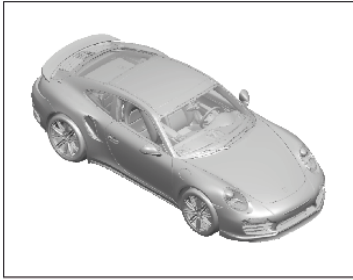
Model: 991T13

Model life 2014>>

Pos	Part Number	Description	Remark	Qty	Model
13	999 073 322 04	4,2 X 19 Mount roof trim Sunroof fillister hd. bolt M6X20		X	
14	9P1 867 729 A	Bracket for moulded headliner	left front	1	
(14)	9P1 867 730 A	Bracket for moulded headliner	right front	1	
15	9P1 867 737 A	Bracket for moulded headliner	left rear	1	
(15)	9P1 867 738 A	Bracket for moulded headliner	right rear	1	
16	N 900 978 02	Pop rivet	4X8	1	
17	9A7 867 276	Clip		1	

Model: 991T13

Model life 2014>>



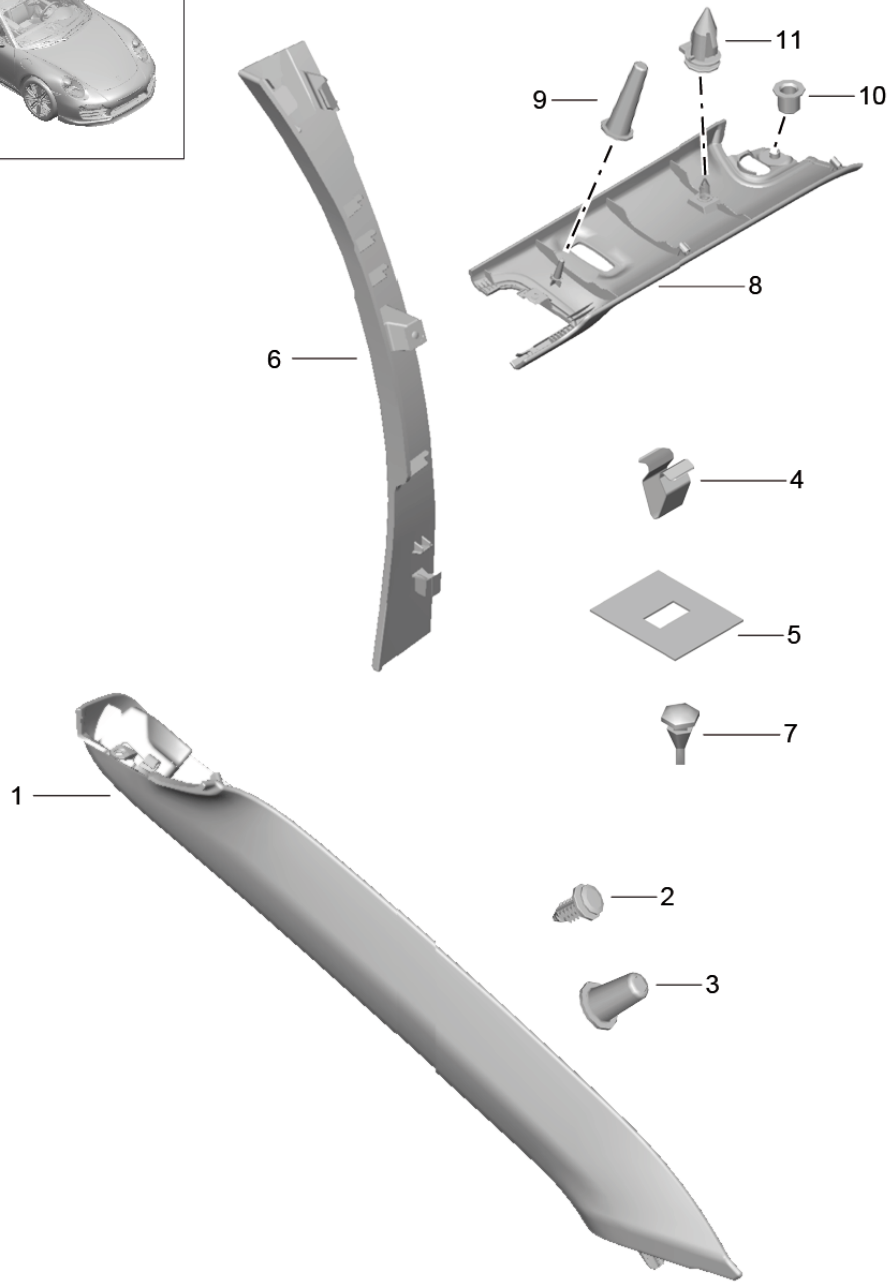
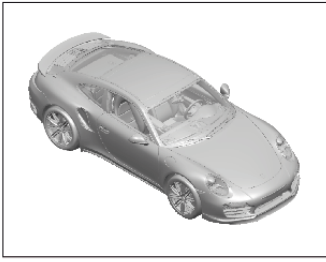


Model: 991T13 Model life 2014>>

Pos	Part Number	Description	Remark	Qty	Model
		A-pillar Linings D >> - MJ 2016			COUPE
(12)	991 555 181 08	A-pillar trim (Alcantara)	left	1	PR:981
	991 555 181 08 2W0	Black	-AZ, EZ, BR, BL, BA, BQ, NG, 99		
	991 555 181 08 8U3	Platinum Grey	-CZ		
	991 555 181 08 9U1	Luxor beige	-UZ		
	991 555 181 08 0U5	agate grey	-DK, BV		
	991 555 181 08 9U7	Espresso	-NE, BH		
(12)	991 555 182 08	A-pillar trim (Alcantara)	right	1	PR:981
	991 555 182 08 2W0	Black	-AZ, EZ, BR, BL, BA, BQ, NG, 99		
	991 555 182 08 8U3	Platinum Grey	-CZ		
	991 555 182 08 9U1	Luxor beige	-UZ		
	991 555 182 08 0U5	agate grey	-DK, BV		
	991 555 182 08 9U7	Espresso	-NE, BH		
13	999 507 195 40	Cup expander spring 10,7 X 26,4		2	
14	997 555 857 00	Grommet		2	
15	999 507 839 01	Clip 3,5		4	
16	999 209 084 40	Distance piece 25 X 20 X 0,5		4	
17	991 555 185 01	A-pillar trim	left lower	1	
	991 555 185 01 1E0	Black	-AZ, BR, BL, BA, BQ, 99		
	991 555 185 01 6L0	Platinum Grey	-CZ		
	991 555 185 01 4H0	Luxor beige	-UZ		
	991 555 185 01 2F0	yachting blue	-EZ		
	991 555 185 01 OP1	agate grey	-DK, BV		
	991 555 185 01 DE1	Umber			
	991 555 185 01 7N0	Espresso	-NE, BH		
	991 555 185 01 OW5	Carrera Red	-NG		
(17)	991 555 186 01	A-pillar trim	right lower	1	
	991 555 186 01 1E0	Black	-AZ, BR, BL, BA, BQ, 99		
	991 555 186 01 6L0	Platinum Grey	-CZ		
	991 555 186 01 4H0	Luxor beige	-UZ		
	991 555 186 01 2F0	yachting blue	-EZ		
	991 555 186 01 OP1	agate grey	-DK, BV		
	991 555 186 01 DE1	Umber			
	991 555 186 01 7N0	Espresso	-NE, BH		
	991 555 186 01 OW5	Carrera Red	-NG		
18	999 703 041 40	Rubber buffer 4 X 6 X 9,3		2	
19	999 190 190 01	Pop rivet 4 X 8,8 Mount deformation element		1	
20	991 555 291 00	A-pillar deformation element A-pillar	upper	1	

Model: 991T13

Model life 2014>>



Model: 991T13 Model life 2014>>

Pos	Part Number	Description	Remark	Qty	Model
		A-pillar windshield frame			CABRIO
		D >> - MJ 2016			
1	991 555 181 03	A-pillar trim (leather)	left	1	PR:981
	991 555 181 03 A11	Black	-AZ, BR, BL, BA, BQ		
	991 555 181 03 9B0	Platinum Grey	-CZ		
	991 555 181 03 7J0	Luxor beige	-UZ		
	991 555 181 03 6A0	yachting blue	-EZ		
	991 555 181 03 OA1	agate grey	-DK, BV		
	991 555 181 03 6J0	Espresso	-NE, BH		
	991 555 181 03 N12	Carrera Red	-NG		
	991 555 181 03 DE1	Umber			
1	991 555 182 03	A-pillar trim (leather)	right	1	PR:981
	991 555 182 03 A11	Black	-AZ, BR, BL, BA, BQ		
	991 555 182 03 9B0	Platinum Grey	-CZ		
	991 555 182 03 7J0	Luxor beige	-UZ		
	991 555 182 03 6A0	yachting blue	-EZ		
	991 555 182 03 OA1	agate grey	-DK, BV		
	991 555 182 03 6J0	Espresso	-NE, BH		
	991 555 182 03 N12	Carrera Red	-NG		
	991 555 182 03 DE1	Umber			
2	999 507 195 40	Cup expander spring 10,7 X 26,4		2	
3	997 555 857 00	Grommet		2	
		Centring journal			
4	999 507 839 01	Clip 3,5		4	
5	999 209 084 40	Distance piece 25 X 20 X 0,5		4	
6	991 555 185 01	A-pillar trim	left lower	1	
	991 555 185 01 1E0	Black	-AZ, BR, BL, BA, BQ, 99		
	991 555 185 01 6L0	Platinum Grey	-CZ		
	991 555 185 01 4H0	Luxor beige	-UZ		
	991 555 185 01 2F0	yachting blue	-EZ		
	991 555 185 01 OP1	agate grey	-DK, BV		
	991 555 185 01 DE1	Umber			
	991 555 185 01 7N0	Espresso	-NE, BH		
	991 555 185 01 OW5	Carrera Red	-NG		
(6)	991 555 186 01	A-pillar trim	right lower	1	
	991 555 186 01 1E0	Black	-AZ, BR, BL, BA, BQ, 99		
	991 555 186 01 6L0	Platinum Grey	-CZ		
	991 555 186 01 4H0	Luxor beige	-UZ		
	991 555 186 01 2F0	yachting blue	-EZ		
	991 555 186 01 OP1	agate grey	-DK, BV		
	991 555 186 01 DE1	Umber			
	991 555 186 01 7N0	Espresso	-NE, BH		
	991 555 186 01 OW5	Carrera Red	-NG		
7	999 703 041 40	Rubber buffer 4 X 6 X 9,3		2	
(8)	991 555 059 01	Trim	left	1	PR:981
		Windscreen frame part			
	991 555 059 01 A11	Black	-AZ, BR, BL, BA, BQ, 99		
	991 555 059 01 9B0	Platinum Grey	-CZ		
	991 555 059 01 7J0	Luxor beige	-UZ		

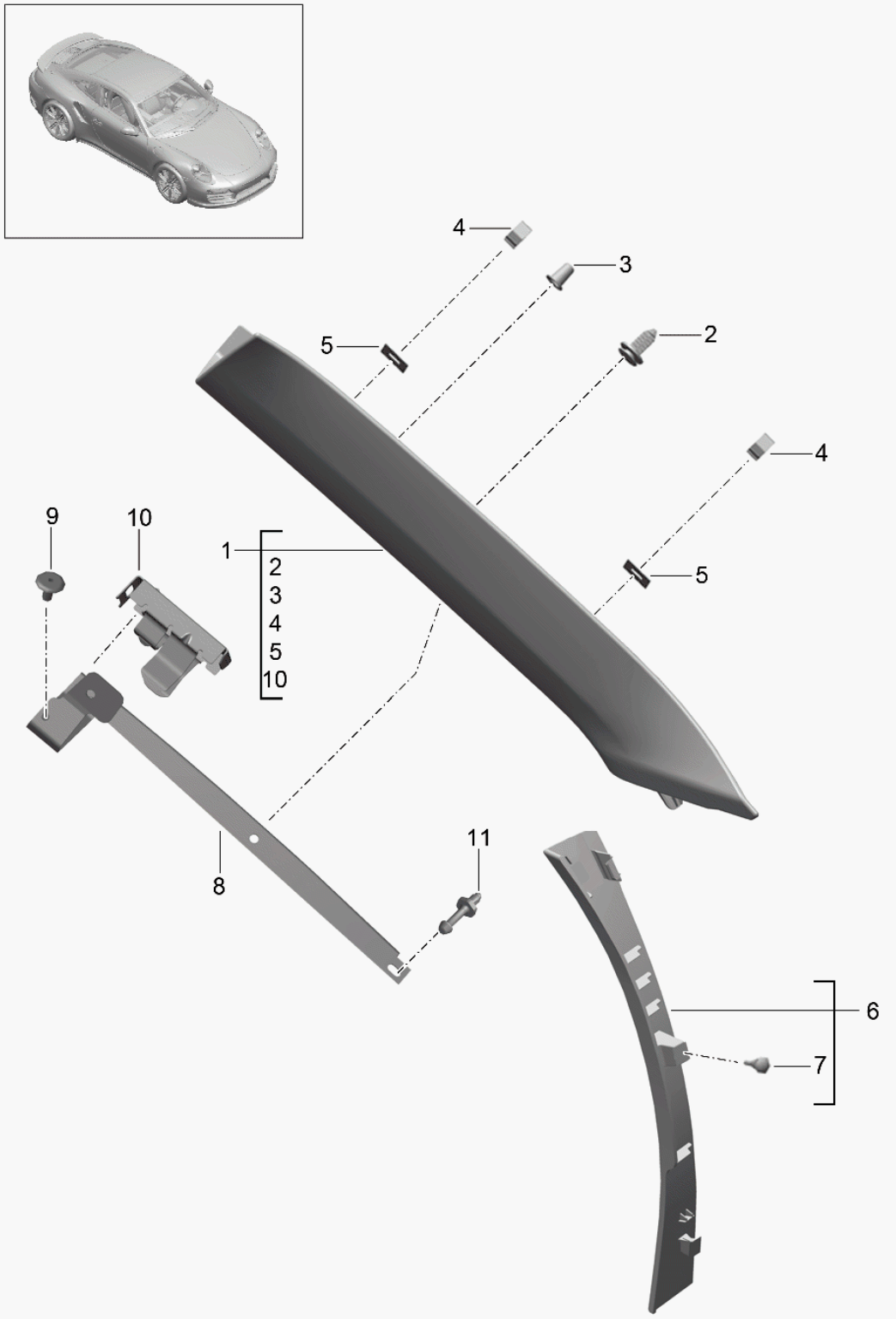
Model: 991T13

Model life 2014>>

Pos	Part Number	Description	Remark	Qty	Model
	991 555 059 01 6A0	yachting blue	-EZ		
	991 555 059 01 OA1	agate grey	-DK,BV		
	991 555 059 01 6J0	Espresso	-NE,BH		
	991 555 059 01 N12	Carrera Red	-NG		
	991 555 059 01 DE1	Umber			
(8)	991 555 060 01	Trim	right	1	PR:981
		Windscreen frame part			
	991 555 060 01 A11	Black	-AZ,BR,BL,BA, BQ,99		
	991 555 060 01 9B0	Platinum Grey	-CZ		
	991 555 060 01 7J0	Luxor beige	-UZ		
	991 555 060 01 6A0	yachting blue	-EZ		
	991 555 060 01 OA1	agate grey	-DK,BV		
	991 555 060 01 6J0	Espresso	-NE,BH		
	991 555 060 01 N12	Carrera Red	-NG		
	991 555 060 01 DE1	Umber			
9	996 555 857 00	Grommet		2	
10	999 209 116 01	spacer sleeve 8,0 X 2,0		2	
11	999 591 143 40	Clip 12,0 X 2,0		2	

Model: 991T13

Model life 2014>>



Model: 991T13

Model life 2014>>

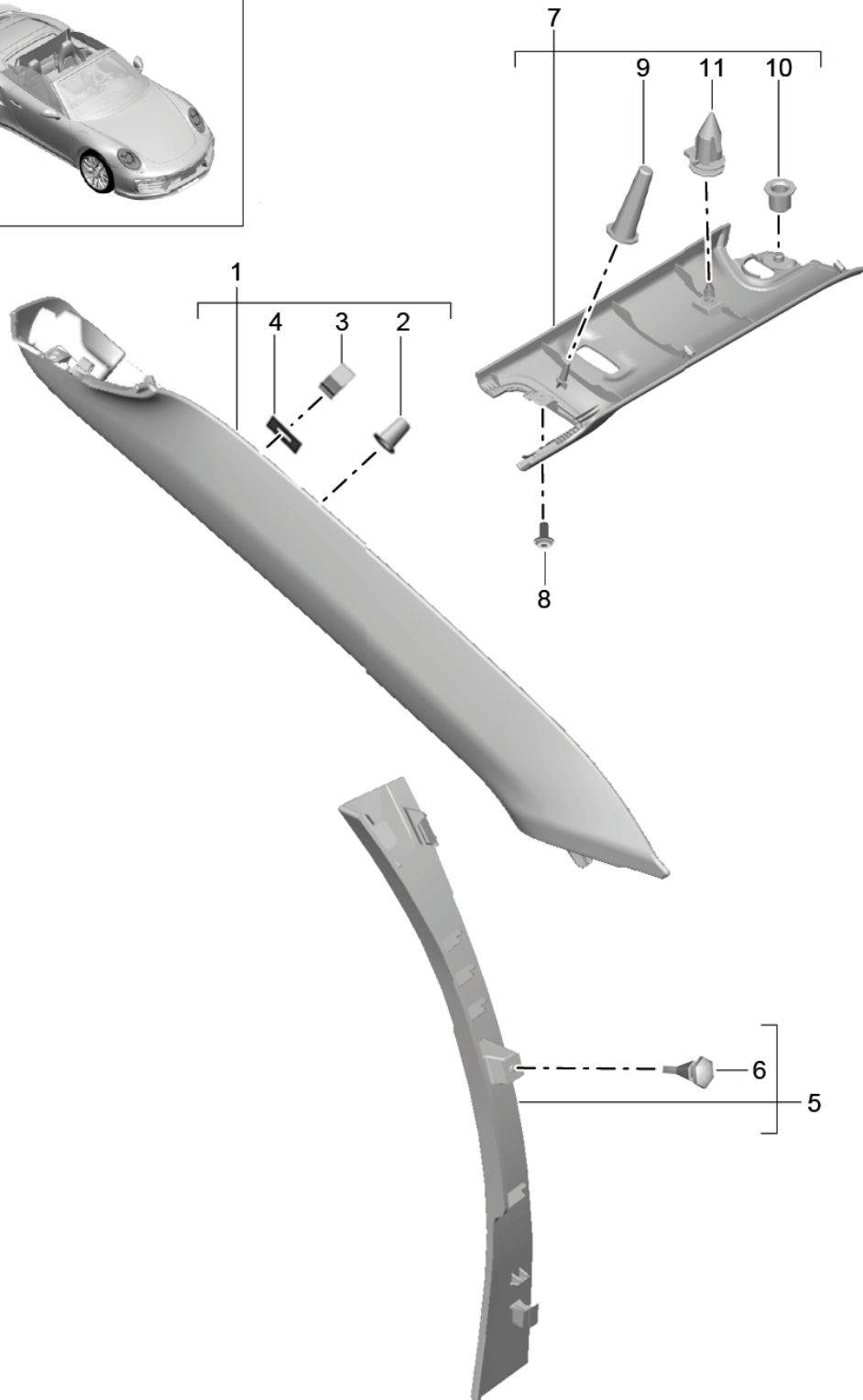
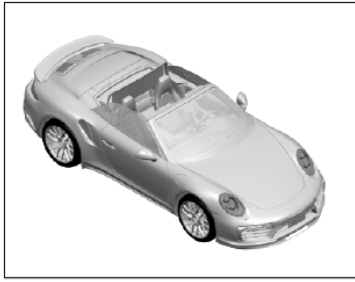
Pos	Part Number	Description	Remark	Qty	Model
		A-pillar Linings			COUPE
1	991 555 181 08	D - MJ 2017>> A-pillar trim (Alcantara)	left	1	PR:981
	991 555 181 08 2W0	D >> - MJ 2017 Black	-AZ, SZ, LZ, BT, BM, TD		
	991 555 181 08 OU5	agate grey	-FZ		
	991 555 181 08 OH7	Graphite Blue	-HZ		
	991 555 181 08 9U1	Luxor beige	-UZ		
	991 555 181 08 OH7	Graphite Blue	-BG, TG		
	991 555 181 08 9U7	Espresso	-NE, BY		
(1)	991 555 182 08	A-pillar trim (Alcantara)	right	1	PR:981
	991 555 182 08 2W0	D >> - MJ 2017 Black	-AZ, SZ, LZ, BT, BM, TD		
	991 555 182 08 OU5	agate grey	-FZ		
	991 555 182 08 OH7	Graphite Blue	-HZ		
	991 555 182 08 9U1	Luxor beige	-UZ		
	991 555 182 08 OH7	Graphite Blue	-BG, TG		
	991 555 182 08 9U7	Espresso	-NE, BY		
(1)	9P1 867 233 C	A-pillar trim (Alcantara)	left	1	
	9P1 867 233 C 2W0	D - MJ 2018>> Black	-AZ, 60, SZ, LZ, BT, BM, TD, 78, 68		
	9P1 867 233 C OU5	agate grey	-FZ		
	9P1 867 233 C OH7	Graphite Blue	-HZ, BG, TG		
	9P1 867 233 C 9U7	Espresso	-NE, BY		
	9P1 867 233 C N13	guards red (Porsche)	-43, 63		
(1)	9P1 867 234 C	A-pillar trim (Alcantara)	right	1	
	9P1 867 234 C 2W0	D - MJ 2018>> Black	-AZ, 60, SZ, LZ, BT, BM, TD, 78, 68		
	9P1 867 234 C OU5	agate grey	-FZ		
	9P1 867 234 C OH7	Graphite Blue	-HZ, BG, TG		
	9P1 867 234 C 9U7	Espresso	-NE, BY		
	9P1 867 234 C N13	guards red (Porsche)	-43, 63		
2	999 507 195 40	Cup expander spring		2	
		10,7 X 26,4			
3	997 555 857 00	Grommet		2	
4	999 507 839 01	Clip		4	
		3,5			
5	999 209 084 40	Distance piece		4	
		25 X 20 X 0,5			
6	991 555 185 01	A-pillar trim	left	1	
	991 555 185 01 1E0	Black	lower -AZ, BT, BM, TD, 43, 78, 60, 63, 68		
	991 555 185 01 OP1	agate grey	-FZ		
	991 555 185 01 OH7	Graphite Blue	-HZ, BG, TG		
	991 555 185 01 OM8	saddle brown	-SZ		
	991 555 185 01 4H0	Luxor beige	-UZ		
	991 555 185 01 OG6	Bordeaux red	-LZ		
	991 555 185 01 7N0	Espresso	-NE, BY		
(6)	991 555 186 01	A-pillar trim	right	1	
			lower		

Model: 991T13 Model life 2014>>

Pos	Part Number	Description	Remark	Qty	Model
	991 555 186 01 1E0	Black	-AZ, BT, BM, TD, 43, 78, 60, 63, 68		
	991 555 186 01 OP1	agate grey	-FZ		
	991 555 186 01 OH7	Graphite Blue	-HZ, BG, TG		
	991 555 186 01 OM8	saddle brown	-SZ		
	991 555 186 01 4H0	Luxor beige	-UZ		
	991 555 186 01 OG6	Bordeaux red	-LZ		
	991 555 186 01 7N0	Espresso	-NE, BY		
7	999 703 041 40	Rubber buffer 4 X 6 X 9,3		2	
8	991 555 291 00	deformation element A-pillar D >> - MJ 2017	left upper	1	PR:072,553
(8)	9P1 880 671 A	deformation element A-pillar D - MJ 2018>>	left	1	
(8)	991 555 292 00	deformation element A-pillar D >> - MJ 2017	right upper	1	PR:072,553
(8)	9P1 880 672 A	deformation element A-pillar D - MJ 2018>>	right	1	
9	N 016 197 3	Pop rivet 4 X 6 Mount deformation element A-pillar D >> - MJ 2017		6	PR:072,553
(9)	N 900 978 02	Pop rivet D - MJ 2018>>		4	
10	9A7 867 276 00	Clip D - MJ 2018>>		1	
11	9A7 007 506 00	Screw bolt D - MJ 2018>>		1	

Model: 991T13

Model life 2014>>





Model: 991T13

Model life 2014>>

Pos	Part Number	Description	Remark	Qty	Model
		A-pillar windshield frame D - MJ 2017>>			CABRIO
1	991 555 181 03	A-pillar trim (leather)	left	1	PR:981
	991 555 181 03 A11	Black	-AZ,BT,BM,TD		
	991 555 181 03 OA1	agate grey	-FZ		
	991 555 181 03 OH7	Graphite Blue	-HZ,BG,TG		
	991 555 181 03 OK6	saddle brown	-SZ		
	991 555 181 03 7J0	Luxor beige	-UZ		
	991 555 181 03 OG6	Bordeaux red	-LZ		
	991 555 181 03 6J0	Espresso	-NE,BY		
(1)	991 555 182 03	A-pillar trim (leather)	right	1	PR:981
	991 555 182 03 A11	Black	-AZ,BT,BM,TD		
	991 555 182 03 OA1	agate grey	-FZ		
	991 555 182 03 OH7	Graphite Blue	-HZ,BG,TG		
	991 555 182 03 OK6	saddle brown	-SZ		
	991 555 182 03 7J0	Luxor beige	-UZ		
	991 555 182 03 OG6	Bordeaux red	-LZ		
	991 555 182 03 6J0	Espresso	-NE,BY		
2	997 555 857 00	Grommet		2	
3	999 507 839 01	Clip 3,5		4	
4	999 209 084 40	Distance piece 25 X 20 X 0,5		4	
5	991 555 185 01	A-pillar trim	left lower	1	
	991 555 185 01 1E0	Black	-AZ,BT,BM,TD		
	991 555 185 01 OP1	agate grey	-FZ		
	991 555 185 01 OH7	Graphite Blue	-HZ,BG,TG		
	991 555 185 01 OM8	saddle brown	-SZ		
	991 555 185 01 4H0	Luxor beige	-UZ		
	991 555 185 01 OG6	Bordeaux red	-LZ		
	991 555 185 01 7N0	Espresso	-NE,BY		
(5)	991 555 186 01	A-pillar trim	right lower	1	
	991 555 186 01 1E0	Black	-AZ,BT,BM,TD		
	991 555 186 01 OP1	agate grey	-FZ		
	991 555 186 01 OH7	Graphite Blue	-HZ,BG,TG		
	991 555 186 01 OM8	saddle brown	-SZ		
	991 555 186 01 4H0	Luxor beige	-UZ		
	991 555 186 01 OG6	Bordeaux red	-LZ		
	991 555 186 01 7N0	Espresso	-NE,BY		
6	999 703 041 40	Rubber buffer 4 X 6 X 9,3		2	
7	991 555 059 01	Trim Windscreen frame part Leather	left	1	PR:981,-631, -632,-852
	991 555 059 01 A11	Black	-AZ,BT,BM,TD		
	991 555 059 01 OA1	agate grey	-FZ		
	991 555 059 01 OH7	Graphite Blue	-HZ,BG,TG		
	991 555 059 01 OK6	saddle brown	-SZ		
	991 555 059 01 7J0	Luxor beige	-UZ		
	991 555 059 01 OG6	Bordeaux red	-LZ		
	991 555 059 01 6J0	Espresso	-NE,BY		
(7)	991 555 060 01	Trim Windscreen frame part Leather	right	1	PR:981,-631, -632,-852
	991 555 060 01 A11	Black	-AZ,BT,BM,TD		
	991 555 060 01 OA1	agate grey	-FZ		
	991 555 060 01 OH7	Graphite Blue	-HZ,BG,TG		
	991 555 060 01 OK6	saddle brown	-SZ		

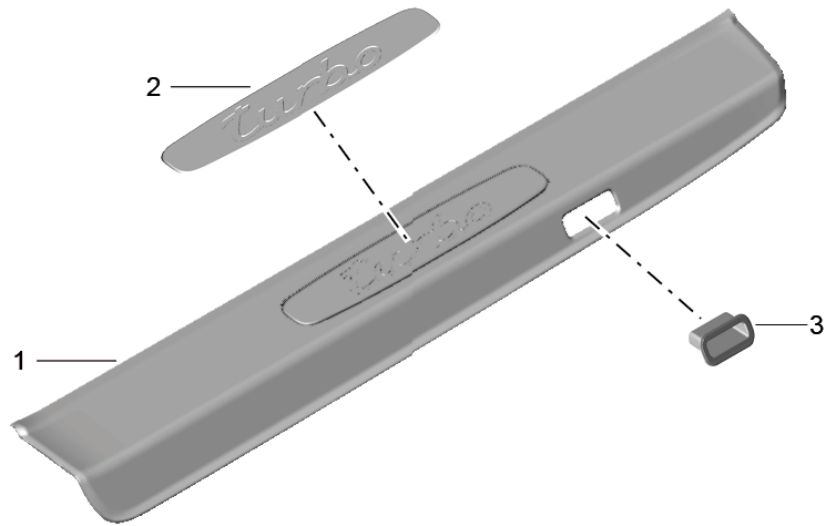
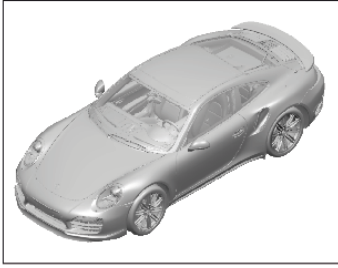
Model: 991T13

Model life 2014>>

Pos	Part Number	Description	Remark	Qty	Model
(7)	991 555 060 01 7J0	Luxor beige	-UZ	1	PR:981
	991 555 060 01 OG6	Bordeaux red	-LZ		
	991 555 060 01 6J0	Espresso	-NE,BY		
	991 555 059 05	Trim	left		
		Windscreen frame part			
		Leather			
	991 555 059 05 A11	Black	-AZ,BT,BM,TD		
	991 555 059 05 OA1	agate grey	-FZ		
	991 555 059 05 OH7	Graphite Blue	-HZ,BG,TG		
	991 555 059 05 OK6	saddle brown	-SZ		
(7)	991 555 059 05 7J0	Luxor beige	-UZ	1	PR:981
	991 555 059 05 OG6	Bordeaux red	-LZ		
	991 555 059 05 6J0	Espresso	-NE,BY		
	991 555 060 05	Trim	right		
		Windscreen frame part			
		Leather			
	991 555 060 05 A11	Black	-AZ,BT,BM,TD		
	991 555 060 05 OA1	agate grey	-FZ		
	991 555 060 05 OH7	Graphite Blue	-HZ,BG,TG		
	991 555 060 05 OK6	saddle brown	-SZ		
8	991 555 060 05 7J0	Luxor beige	-UZ	2	
	991 555 060 05 OG6	Bordeaux red	-LZ		
	991 555 060 05 6J0	Espresso	-NE,BY		
	999 015 025 09	Oval-head screw			
		M6 X 12			
9	996 555 857 00	Grommet		2	
10	999 209 116 01	spacer sleeve		2	
		8,0 X 2,0			
11	999 591 143 40	Clip		2	
		12,0 X 2,0			

Model: 991T13

Model life 2014>>



Model: 991T13

Model life 2014>>

Pos	Part Number	Description	Remark	Qty	Model
1	991 555 303 24	Sill trim strip Sill inscription D >> - MJ 2016	left	1	
(1)	991 555 303 24 1E0	Black			
(1)	991 555 304 24	Sill trim strip Sill	right	1	
(1)	991 555 304 24 1E0	Black			
(1)	991 555 303 27	Sill trim strip Sill	left	1	PR:092
(1)	991 555 303 27 1E0	Black			
(1)	991 555 304 27	Sill trim strip Sill	right	1	PR:092
(1)	991 555 304 27 1E0	Black			
(1)	991 555 981 40	Sill trim strip Sill	left	1	PR:X70
(1)	991 555 981 40 1E0	Black			
(1)	991 555 982 40	Sill trim strip Sill	right	1	PR:X70
(1)	991 555 982 40 1E0	Black			
(1)	991 555 981 41	Sill trim strip Sill	left	1	PR:XXB
(1)	991 555 981 41 1E0	Black			
(1)	991 555 982 41	Sill trim strip Sill	right	1	PR:XXB
(1)	991 555 982 41 1E0	Black			
(1)	991 555 981 42	Sill trim strip Sill	left	1	PR:X69
(1)	991 555 981 42 1E0	Black			
(1)	991 555 982 42	Sill trim strip Sill	right	1	PR:X69
(1)	991 555 982 42 1E0	Black			
(1)	991 555 981 43	Sill trim strip Sill	left	1	PR:XXD
(1)	991 555 981 43 1E0	Black			
(1)	991 555 982 43	Sill trim strip Sill	right	1	PR:XXD
(1)	991 555 982 43 1E0	Black			
(1)	991 555 981 44	Sill trim strip Sill	left	1	PR:X70,092
(1)	991 555 981 44 1E0	Black			
(1)	991 555 982 44	Sill trim strip Sill	right	1	PR:X70,092
(1)	991 555 982 44 1E0	Black			
(1)	991 555 981 45	Sill trim strip Sill	left	1	PR:XXB,092
(1)	991 555 981 45 1E0	Black			
(1)	991 555 982 45	Sill trim strip Sill	right	1	PR:XXB,092
(1)	991 555 982 45 1E0	Black			
(1)	991 555 981 46	Sill trim strip Sill	left	1	PR:X69,092
(1)	991 555 981 46 1E0	Black			
(1)	991 555 982 46	Sill trim strip Sill	right	1	PR:X69,092
(1)	991 555 982 46 1E0	Black			
(1)	991 555 981 47	Sill trim strip Sill	left	1	PR:XXD,092
(1)	991 555 981 47 1E0	Black			
(1)	991 555 982 47	Sill trim strip Sill	right	1	PR:XXD,092

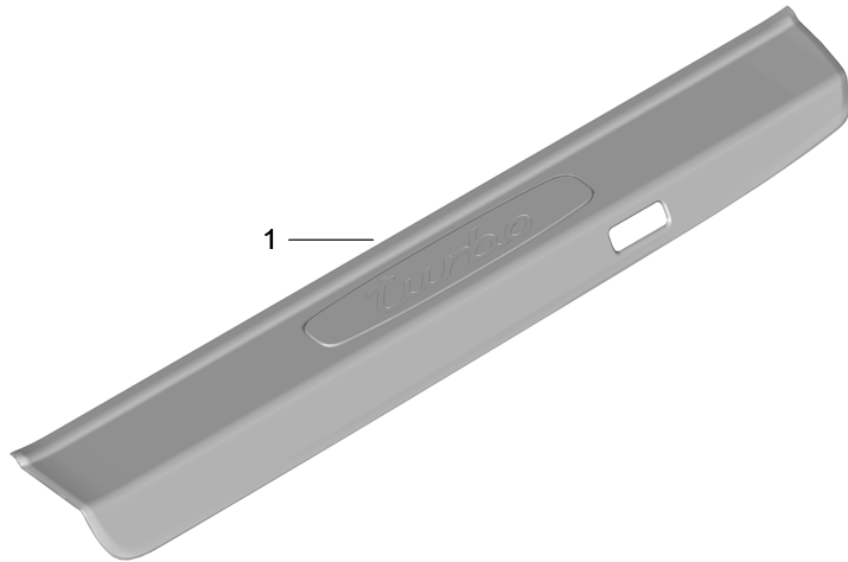
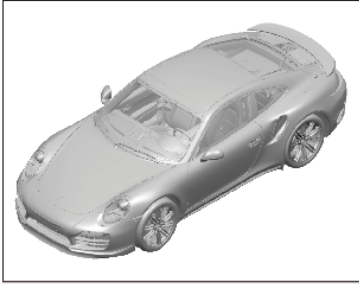
Model: 991T13

Model life 2014>>

Pos	Part Number	Description	Remark	Qty	Model
2	991 555 982 47 1E0 991 555 753 04	Black inscription Sill		1	Turbo
(2)	991 555 753 07	inscription Sill		1	Turbo S PR:092
3	991 555 803 00 991 555 803 00 1E0	Grommet Sill trim strip Black		2	

Model: 991T13

Model life 2014>>



Model: 991T13 Model life 2014>>

Pos	Part Number	Description	Remark	Qty	Model
1	991 555 303 24	Sill trim strip Sill inscription D - MJ 2017>> Sill trim strip	left	1	
(1)	991 555 303 24 1E0	Turbo Black			
(1)	991 555 304 24	Sill trim strip Sill Turbo	right	1	
(1)	991 555 304 24 1E0	Black			
(1)	991 555 303 27	Sill trim strip Sill Turbo S	left	1	PR:092
(1)	991 555 303 27 1E0	Black			
(1)	991 555 304 27	Sill trim strip Sill Turbo S	right	1	PR:092
(1)	991 555 304 27 1E0	Black			
(1)	991 555 981 40	Sill trim strip Sill	left	1	PR:X70,-092
(1)	991 555 981 40 1E0	Black			
(1)	991 555 982 40	Sill trim strip Sill	right	1	PR:X70,-092
(1)	991 555 982 40 1E0	Black			
(1)	991 555 981 44	Sill trim strip Sill	left	1	PR:X70,092
(1)	991 555 981 44 1E0	Black			
(1)	991 555 982 44	Sill trim strip Sill	right	1	PR:X70,092
(1)	991 555 982 44 1E0	Black			
(1)	991 555 981 86	Sill trim strip Sill	left	1	PR:XXB,-092
(1)	991 555 981 86 1E0	stainless steel			
(1)	991 555 982 86	Sill trim strip Sill	right	1	PR:XXB,-092
(1)	991 555 982 86 1E0	stainless steel			
(1)	991 555 981 88	Sill trim strip Sill	left	1	PR:XXB,092
(1)	991 555 981 88 1E0	stainless steel			
(1)	991 555 982 88	Sill trim strip Sill	right	1	PR:XXB,092
(1)	991 555 982 88 1E0	stainless steel			
(1)	991 555 981 42	Sill trim strip Sill	left	1	PR:X69,-092
(1)	991 555 981 42 1E0	Black			
(1)	991 555 982 42	Sill trim strip Sill	right	1	PR:X69,-092
(1)	991 555 982 42 1E0	Black			
(1)	991 555 981 46	Sill trim strip Sill	left	1	PR:X69,092
(1)	991 555 981 46 1E0	Black			
(1)	991 555 982 46	Sill trim strip Sill	right	1	PR:X69,092
(1)	991 555 982 46 1E0	Black			
(1)	991 555 981 87	Sill trim strip Sill	left	1	PR:XXD,-092
(1)	991 555 981 87 1E0	Carbon			
(1)	991 555 982 87	Sill trim strip Sill	right	1	PR:XXD,-092
(1)	991 555 982 87 1E0	Carbon			
(1)	991 555 981 89	Sill trim strip	left	1	PR:XXD,092

Model: 991T13

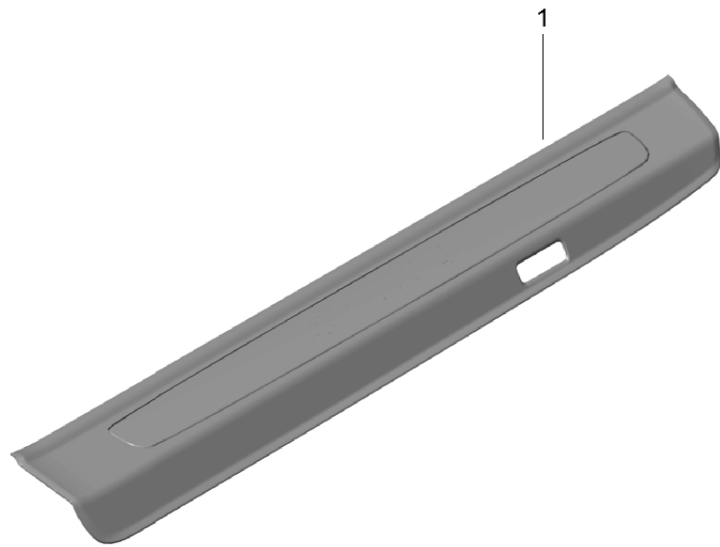
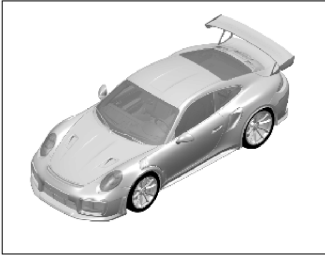
Model life 2014>>

Pos	Part Number	Description	Remark	Qty	Model
(1)	991 555 981 89 1E0	Sill Carbon	right	1	PR:XXD,092
	991 555 982 89	Sill trim strip Sill			
(1)	991 555 982 89 1E0	Carbon	left	1	
	991 555 981 98	Sill trim strip Sill			
(1)	991 555 981 98 1E0	Carbon	right	1	PR:028 PR:028
	991 555 982 98	Sill trim strip Sill			
	991 555 982 98 1E0	Carbon			



Model: 991T13

Model life 2014>>



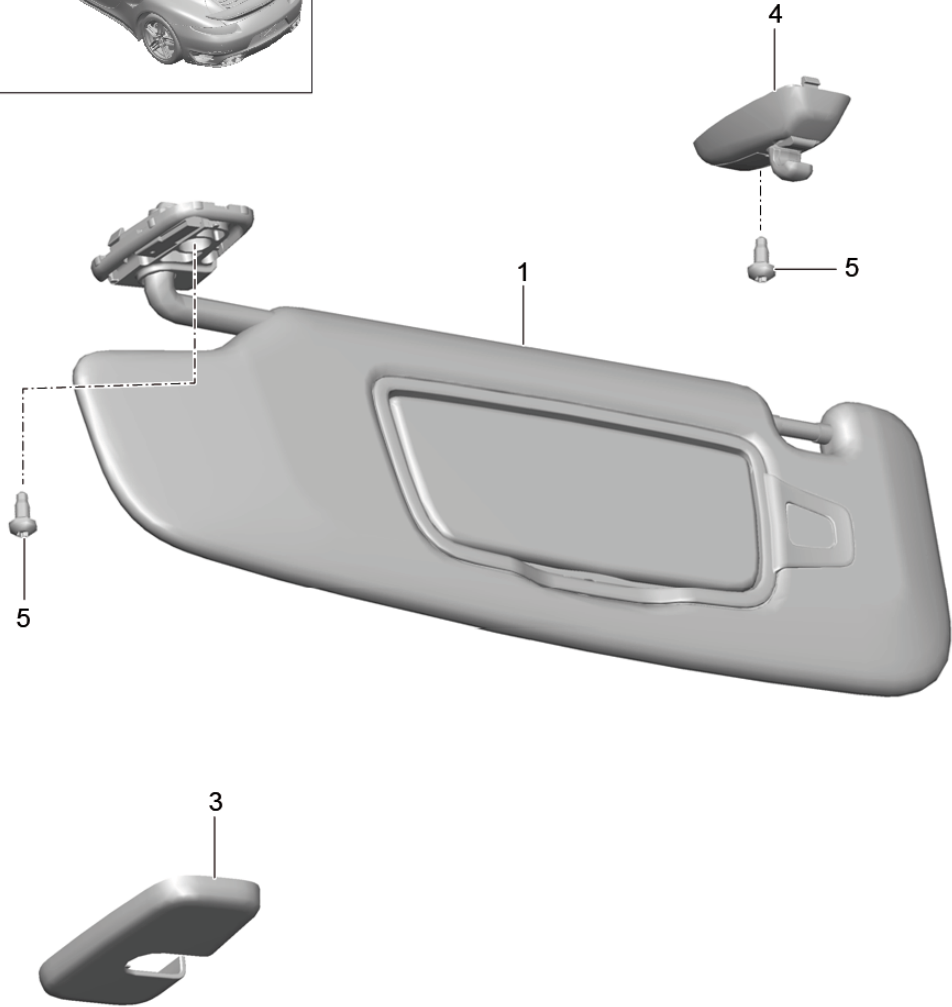
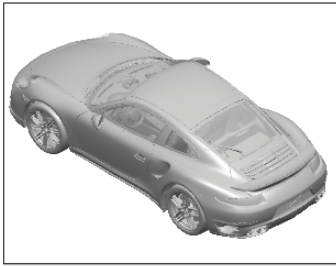
Model: 991T13

Model life 2014>>

Pos	Part Number	Description	Remark	Qty	Model
1	991 555 981 B0	Sill trim strip Sill inscription Sill trim strip Sill Carbon, fine high-gloss GT2 RS	left	1	GT2 RS PR:X69
(1)	991 555 981 B0 1E0 991 555 982 B0	Black Sill trim strip Sill Carbon, fine high-gloss GT2 RS	right	1	PR:X69
(1)	991 555 982 B0 1E0 991 555 981 B1	Black Sill trim strip Sill Carbon, fine high-gloss Lighting GT2 R2	left	1	PR:XXD
(1)	991 555 981 B1 1E0 991 555 982 B1	Black Sill trim strip Sill Carbon, fine high-gloss Lighting GT2 R2	right	1	PR:XXD
	991 555 982 B1 1E0	Black			

Model: 991T13

Model life 2014>>



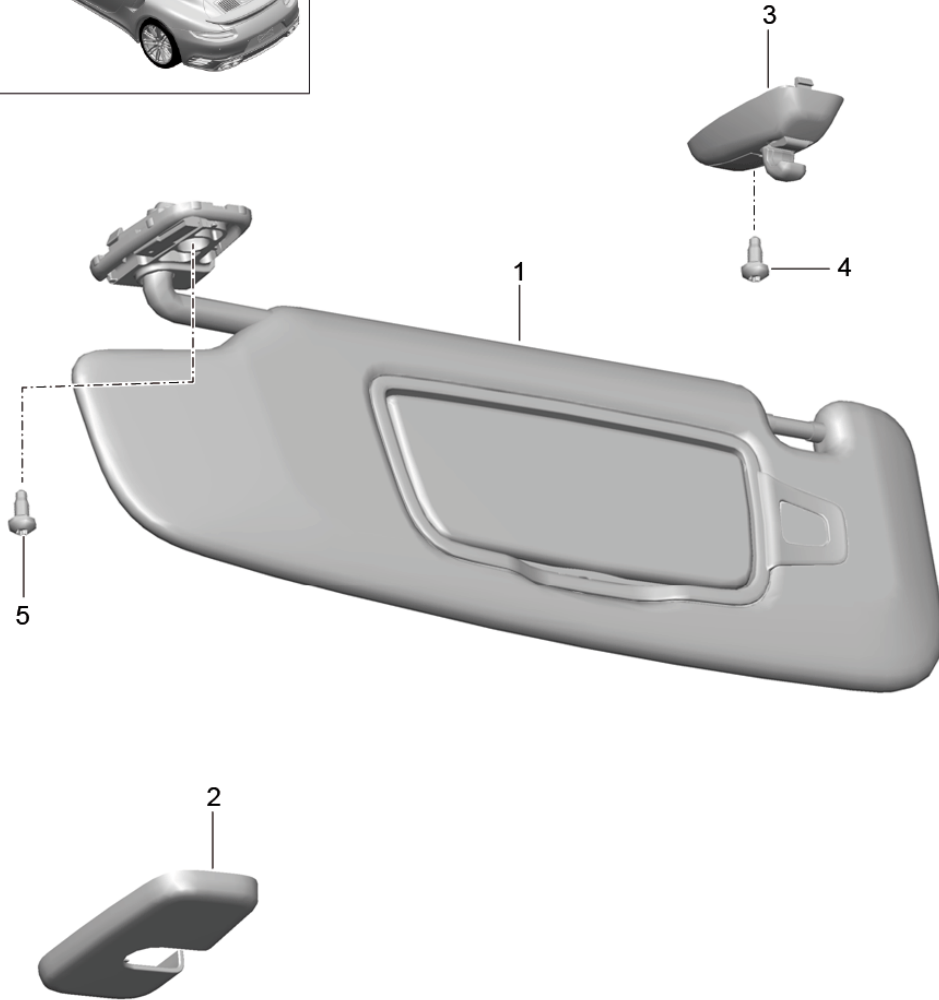
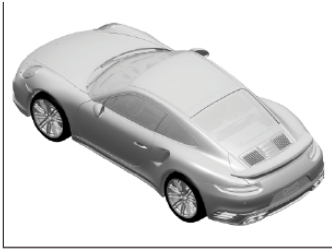
Model: 991T13

Model life 2014>>

Pos	Part Number	Description	Remark	Qty	Model
1	991 731 031 16	sun vizors D >> - MJ 2016 Sun visor	left	1	COUPE
	991 731 031 16 OF7	Black	-AZ, EZ, BR, BL, BA, BQ, NG, 99		
	991 731 031 16 OD5	Platinum Grey	-CZ		
	991 731 031 16 OE6	Luxor beige	-UZ		
	991 731 031 16 OA2	agate grey	-DK, BV		
	991 731 031 16 OJ8	Espresso	-NE, BH		
1	991 731 032 16	Sun visor	right	1	COUPE
	991 731 032 16 OF7	Black	-AZ, EZ, BR, BL, BA, BQ, NG, 99		
	991 731 032 16 OD5	Platinum Grey	-CZ		
	991 731 032 16 OE6	Luxor beige	-UZ		
	991 731 032 16 OA2	agate grey	-DK, BV		
	991 731 032 16 OJ8	Espresso	-NE, BH		
(1)	991 731 031 18	Sun visor	left	1	CABRIO
	991 731 031 18 OF7	Black	-AZ, EZ, BR, BL, BA, BQ, NG, 99		
	991 731 031 18 OD5	Platinum Grey	-CZ		
	991 731 031 18 OE6	Luxor beige	-UZ		
	991 731 031 18 OA2	agate grey	-DK, BV		
	991 731 031 18 OJ8	Espresso	-NE, BH		
(1)	991 731 032 18	Sun visor	right	1	CABRIO
	991 731 032 18 OF7	Black	-AZ, EZ, BR, BL, BA, BQ, NG, 99		
	991 731 032 18 OD5	Platinum Grey	-CZ		
	991 731 032 18 OE6	Luxor beige	-UZ		
	991 731 032 18 OA2	agate grey	-DK, BV		
	991 731 032 18 OJ8	Espresso	-NE, BH		
3	991 731 831 03	Cover	left	1	COUPE
	991 731 831 03 1E0	Black			
(3)	991 731 832 03	Cover	right	1	COUPE
	991 731 832 03 1E0	Black			
(3)	991 731 831 04	Cover	left	1	CABRIO
	991 731 831 04 1E0	Black			
(3)	991 731 832 04	Cover	right	1	CABRIO
	991 731 832 04 1E0	Black			
4	991 731 341 03	Support		2	
		Sun visor			
	991 731 341 03 1E0	Black			
5	N 104 857 03	Hexagon socket flat head bolt M5 X 12		X	

Model: 991T13

Model life 2014>>



Model: 991T13 Model life 2014>>

Pos	Part Number	Description	Remark	Qty	Model
1	991 731 981 20	sun vizors D >> - MJ 2015 Sun visor Leather	left	1	COUPE PR:098,XMP, -074
	991 731 981 20 A11	Black	-AZ, BR, BL, BA, BQ		
	991 731 981 20 9B0	Platinum Grey	-CZ		
	991 731 981 20 7J0	Luxor beige	-UZ		
	991 731 981 20 6A0	yachting blue	-EZ		
	991 731 981 20 OA1	agate grey	-DK, BV		
	991 731 981 20 N12	Carrera Red	-NG		
	991 731 981 20 6J0	Espresso	-NE, BH		
(1)	991 731 982 21	Sun visor Leather	right	1	COUPE PR:098,XMP, -074
	991 731 982 21 A11	Black	-AZ, BR, BL, BA, BQ		
	991 731 982 21 9B0	Platinum Grey	-CZ		
	991 731 982 21 7J0	Luxor beige	-UZ		
	991 731 982 21 6A0	yachting blue	-EZ		
	991 731 982 21 OA1	agate grey	-DK, BV		
	991 731 982 21 N12	Carrera Red	-NG		
	991 731 982 21 6J0	Espresso	-NE, BH		
(1)	991 731 981 21	Sun visor Leather	left	1	COUPE PR:099,XMP, -074
	991 731 981 21 A11	Black	-AZ, BR, BL, BA, BQ		
	991 731 981 21 9B0	Platinum Grey	-CZ		
	991 731 981 21 7J0	Luxor beige	-UZ		
	991 731 981 21 6A0	yachting blue	-EZ		
	991 731 981 21 OA1	agate grey	-DK, BV		
	991 731 981 21 N12	Carrera Red	-NG		
	991 731 981 21 6J0	Espresso	-NE, BH		
(1)	991 731 982 20	Sun visor Leather	right	1	COUPE PR:099,XMP, -074
	991 731 982 20 A11	Black	-AZ, BR, BL, BA, BQ		
	991 731 982 20 9B0	Platinum Grey	-CZ		
	991 731 982 20 7J0	Luxor beige	-UZ		
	991 731 982 20 6A0	yachting blue	-EZ		
	991 731 982 20 OA1	agate grey	-DK, BV		
	991 731 982 20 N12	Carrera Red	-NG		
	991 731 982 20 6J0	Espresso	-NE, BH		
(1)	991 731 981 20	Sun visor Leather	left	1	COUPE PR:074,XMP
	991 731 981 20 A11	Black	-AZ, BR, BL, BA, BQ		
	991 731 981 20 9B0	Platinum Grey	-CZ		
	991 731 981 20 7J0	Luxor beige	-UZ		
	991 731 981 20 6A0	yachting blue	-EZ		
	991 731 981 20 OA1	agate grey	-DK, BV		
	991 731 981 20 N12	Carrera Red	-NG		
	991 731 981 20 6J0	Espresso	-NE, BH		
(1)	991 731 982 20	Sun visor Leather	right	1	COUPE PR:074,XMP
	991 731 982 20 A11	Black	-AZ, BR, BL, BA, BQ		
	991 731 982 20 9B0	Platinum Grey	-CZ		
	991 731 982 20 7J0	Luxor beige	-UZ		
	991 731 982 20 6A0	yachting blue	-EZ		

Model: 991T13 Model life 2014>>

Pos	Part Number	Description	Remark	Qty	Model			
(1)	991 731 982 20 OA1	agate grey	-DK,BV	1	CABRIO PR:098,XMP, -074			
	991 731 982 20 N12	Carrera Red	-NG					
	991 731 982 20 6J0	Espresso	-NE,BH					
	991 731 981 26	Sun visor Leather	left					
	991 731 981 26 A11	Black	-AZ, BR, BL, BA, BQ					
	991 731 981 26 9B0	Platinum Grey	-CZ					
	991 731 981 26 7J0	Luxor beige	-UZ					
	991 731 981 26 6A0	yachting blue	-EZ					
	991 731 981 26 OA1	agate grey	-DK,BV					
	991 731 981 26 N12	Carrera Red	-NG					
(1)	991 731 981 26 6J0	Espresso	-NE,BH	1	CABRIO PR:098,XMP, -074			
	991 731 982 27	Sun visor Leather	right					
	991 731 982 27 A11	Black	-AZ, BR, BL, BA, BQ					
	991 731 982 27 9B0	Platinum Grey	-CZ					
	991 731 982 27 7J0	Luxor beige	-UZ					
	991 731 982 27 6A0	yachting blue	-EZ					
	991 731 982 27 OA1	agate grey	-DK,BV					
	991 731 982 27 N12	Carrera Red	-NG					
	991 731 982 27 6J0	Espresso	-NE,BH					
	(1)	991 731 981 27	Sun visor Leather			left	1	CABRIO PR:099,XMP, -074
991 731 981 27 A11		Black	-AZ, BR, BL, BA, BQ					
991 731 981 27 9B0		Platinum Grey	-CZ					
991 731 981 27 7J0		Luxor beige	-UZ					
991 731 981 27 6A0		yachting blue	-EZ					
991 731 981 27 OA1		agate grey	-DK,BV					
991 731 981 27 N12		Carrera Red	-NG					
991 731 981 27 6J0		Espresso	-NE,BH					
(1)		991 731 982 26	Sun visor Leather	right	1	CABRIO PR:099,XMP, -074		
		991 731 982 26 A11	Black	-AZ, BR, BL, BA, BQ				
	991 731 982 26 9B0	Platinum Grey	-CZ					
	991 731 982 26 7J0	Luxor beige	-UZ					
	991 731 982 26 6A0	yachting blue	-EZ					
	991 731 982 26 OA1	agate grey	-DK,BV					
	991 731 982 26 N12	Carrera Red	-NG					
	991 731 982 26 6J0	Espresso	-NE,BH					
	(1)	991 731 981 26	Sun visor Leather	left			1	CABRIO PR:074,XMP
		991 731 981 26 A11	Black	-AZ, BR, BL, BA, BQ				
991 731 981 26 9B0		Platinum Grey	-CZ					
991 731 981 26 7J0		Luxor beige	-UZ					
991 731 981 26 6A0		yachting blue	-EZ					
991 731 981 26 OA1		agate grey	-DK,BV					
991 731 981 26 N12		Carrera Red	-NG					
991 731 981 26 6J0		Espresso	-NE,BH					
(1)		991 731 982 26	Sun visor Leather	right	1	CABRIO PR:074,XMP		
		991 731 982 26 A11	Black	-AZ, BR, BL, BA, BQ				
	991 731 982 26 9B0	Platinum Grey	-CZ					
	991 731 982 26 7J0	Luxor beige	-UZ					

Model: 991T13

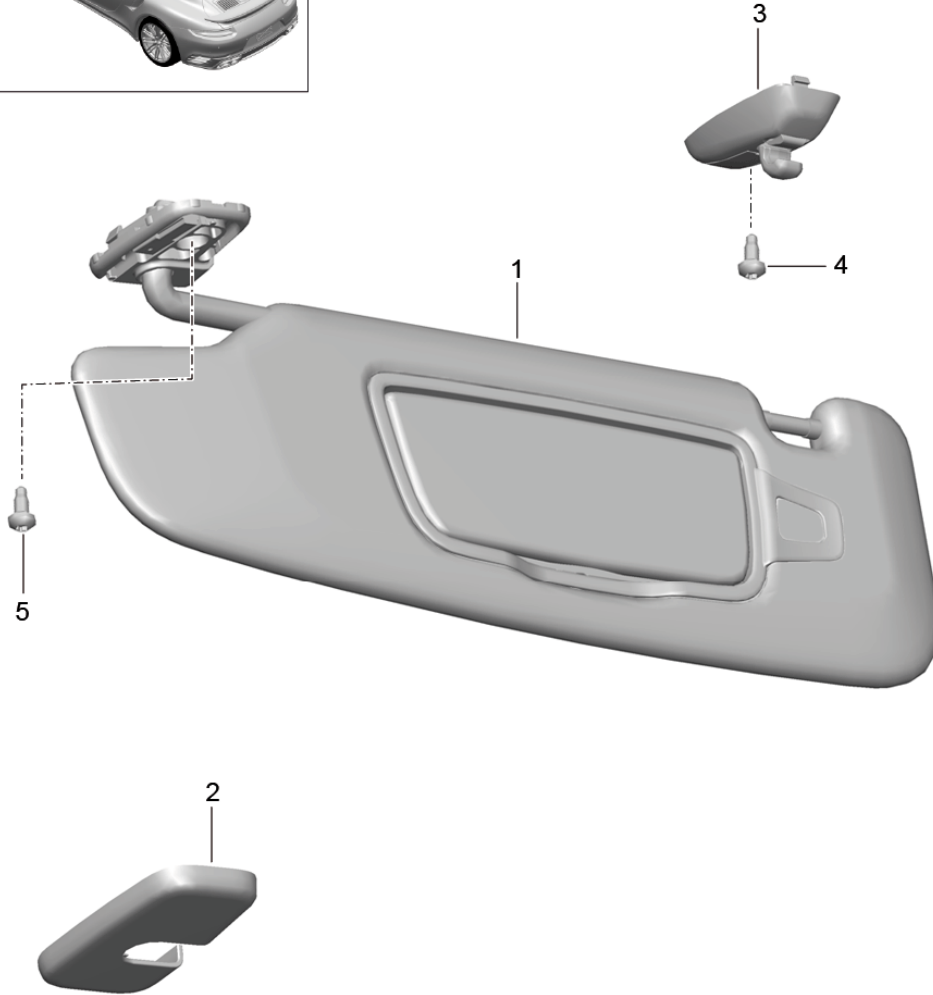
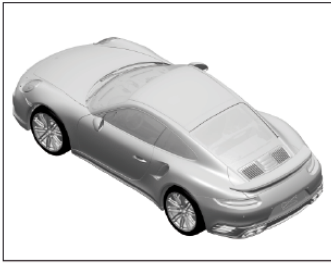
Model life 2014>>

Pos	Part Number	Description	Remark	Qty	Model
	991 731 982 26 6A0	yachting blue	-EZ		
	991 731 982 26 OA1	agate grey	-DK,BV		
	991 731 982 26 N12	Carrera Red	-NG		
	991 731 982 26 6J0	Espresso	-NE,BH		
2	991 731 831 03	Cover	left	1	COUPE
	991 731 831 03 1E0	Black			
(2)	991 731 832 03	Cover	right	1	COUPE
	991 731 832 03 1E0	Black			
(2)	991 731 831 06	Cover	left	1	CABRIO
	991 731 831 06 1E0	Black			
(2)	991 731 832 06	Cover	right	1	CABRIO
	991 731 832 06 1E0	Black			
3	991 731 341 04	Support		2	
		Sun visor			
	991 731 341 04 1E0	Black			
4	N 104 857 03	Hexagon socket flat head bolt		2	
		M5 X 12			
5	N 104 857 03	Hexagon socket flat head bolt		2	COUPE
		M5 X 12			
(5)	999 073 223 01	Bolt with washer		4	CABRIO
		M6 X 25			



Model: 991T13

Model life 2014>>



Model: 991T13

Model life 2014>>

Pos	Part Number	Description	Remark	Qty	Model
1	991 731 981 20	sun vizors D - MJ 2016>> Sun visor Leather	left	1	COUPE PR:098,XMP, -074
	991 731 981 20 A11	Black	-AZ,LZ,BT,BM, TD		
	991 731 981 20 OA1	agate grey	-FZ		
	991 731 981 20 OH7	Graphite Blue	-HZ,BG,TG		
	991 731 981 20 OK6	saddle brown	-SZ		
	991 731 981 20 7J0	Luxor beige	-UZ		
	991 731 981 20 6J0	Espresso	-NE,BY		
(1)	991 731 982 21	Sun visor Leather	right	1	COUPE PR:098,XMP, -074
	991 731 982 21 A11	Black	-AZ,LZ,BT,BM, TD		
	991 731 982 21 OA1	agate grey	-FZ		
	991 731 982 21 OH7	Graphite Blue	-HZ,BG,TG		
	991 731 982 21 OK6	saddle brown	-SZ		
	991 731 982 21 7J0	Luxor beige	-UZ		
	991 731 982 21 6J0	Espresso	-NE,BY		
(1)	991 731 981 21	Sun visor Leather	left	1	COUPE PR:099,XMP, -074
	991 731 981 21 A11	Black	-AZ,LZ,BT,BM, TD		
	991 731 981 21 OA1	agate grey	-FZ		
	991 731 981 21 OH7	Graphite Blue	-HZ,BG,TG		
	991 731 981 21 OK6	saddle brown	-SZ		
	991 731 981 21 7J0	Luxor beige	-UZ		
	991 731 981 21 6J0	Espresso	-NE,BY		
(1)	991 731 982 20	Sun visor Leather	right	1	COUPE PR:099,XMP, -074
	991 731 982 20 A11	Black	-AZ,LZ,BT,BM, TD		
	991 731 982 20 OA1	agate grey	-FZ		
	991 731 982 20 OH7	Graphite Blue	-HZ,BG,TG		
	991 731 982 20 OK6	saddle brown	-SZ		
	991 731 982 20 7J0	Luxor beige	-UZ		
	991 731 982 20 6J0	Espresso	-NE,BY		
(1)	991 731 981 20	Sun visor Leather	left	1	COUPE PR:074,XMP
	991 731 981 20 A11	Black	-AZ,LZ,BT,BM, TD		
	991 731 981 20 OA1	agate grey	-FZ		
	991 731 981 20 OH7	Graphite Blue	-HZ,BG,TG		
	991 731 981 20 OK6	saddle brown	-SZ		
	991 731 981 20 7J0	Luxor beige	-UZ		
	991 731 981 20 6J0	Espresso	-NE,BY		
(1)	991 731 982 20	Sun visor Leather	right	1	COUPE PR:074,XMP
	991 731 982 20 A11	Black	-AZ,LZ,BT,BM, TD		
	991 731 982 20 OA1	agate grey	-FZ		
	991 731 982 20 OH7	Graphite Blue	-HZ,BG,TG		
	991 731 982 20 OK6	saddle brown	-SZ		
	991 731 982 20 7J0	Luxor beige	-UZ		
	991 731 982 20 6J0	Espresso	-NE,BY		
(1)	991 731 981 26	Sun visor Leather	left	1	CABRIO PR:098,XMP, -074

Model: 991T13 Model life 2014>>

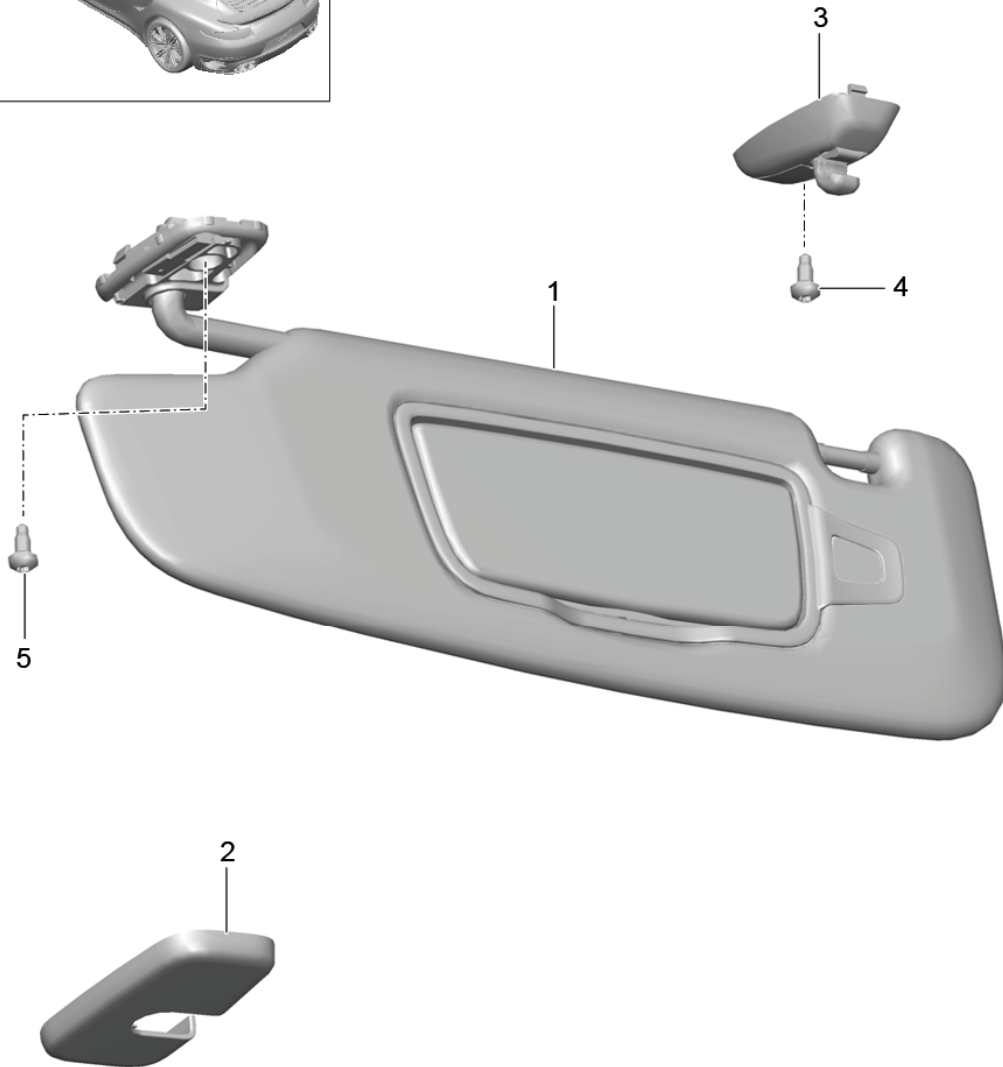
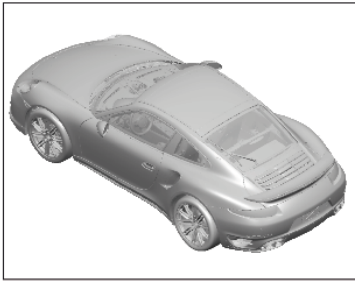
Pos	Part Number	Description	Remark	Qty	Model
(1)	991 731 981 26 A11	Black	-AZ, BT, BM, TD	1	CABRIO PR:098, XMP, -074
	991 731 981 26 OA1	agate grey	-FZ		
	991 731 981 26 OH7	Graphite Blue	-HZ, BG, TG		
	991 731 981 26 OK6	saddle brown	-SZ		
	991 731 981 26 7J0	Luxor beige	-UZ		
	991 731 981 26 OG6	Bordeaux red	-LZ		
	991 731 981 26 6J0	Espresso	-NE, BY		
(1)	991 731 982 27	Sun visor Leather	right	1	CABRIO PR:099, XMP, -074
	991 731 982 27 A11	Black	-AZ, BT, BM, TD		
	991 731 982 27 OA1	agate grey	-FZ		
	991 731 982 27 OH7	Graphite Blue	-HZ, BG, TG		
	991 731 982 27 OK6	saddle brown	-SZ		
	991 731 982 27 7J0	Luxor beige	-UZ		
	991 731 982 27 OG6	Bordeaux red	-LZ		
(1)	991 731 982 27 6J0	Espresso	-NE, BY	1	CABRIO PR:099, XMP, -074
	991 731 981 27	Sun visor Leather	left		
	991 731 981 27 A11	Black	-AZ, BT, BM, TD		
	991 731 981 27 OA1	agate grey	-FZ		
	991 731 981 27 OH7	Graphite Blue	-HZ, BG, TG		
	991 731 981 27 OK6	saddle brown	-SZ		
	991 731 981 27 7J0	Luxor beige	-UZ		
(1)	991 731 981 27 OG6	Bordeaux red	-LZ	1	CABRIO PR:099, XMP, -074
	991 731 981 27 6J0	Espresso	-NE, BY		
	991 731 982 26	Sun visor Leather	right		
	991 731 982 26 A11	Black	-AZ, BT, BM, TD		
	991 731 982 26 OA1	agate grey	-FZ		
	991 731 982 26 OH7	Graphite Blue	-HZ, BG, TG		
	991 731 982 26 OK6	saddle brown	-SZ		
(1)	991 731 982 26 7J0	Luxor beige	-UZ	1	CABRIO PR:074, XMP
	991 731 982 26 OG6	Bordeaux red	-LZ		
	991 731 982 26 6J0	Espresso	-NE, BY		
	991 731 981 26	Sun visor Leather	left		
	991 731 981 26 A11	Black	-AZ, BT, BM, TD		
	991 731 981 26 OA1	agate grey	-FZ		
	991 731 981 26 OH7	Graphite Blue	-HZ, BG, TG		
(1)	991 731 981 26 OK6	saddle brown	-SZ	1	CABRIO PR:074, XMP
	991 731 981 26 7J0	Luxor beige	-UZ		
	991 731 981 26 OG6	Bordeaux red	-LZ		
	991 731 981 26 6J0	Espresso	-NE, BY		
	991 731 982 26	Sun visor Leather	right		
	991 731 982 26 A11	Black	-AZ, BT, BM, TD		
	991 731 982 26 OA1	agate grey	-FZ		
(1)	991 731 982 26 OH7	Graphite Blue	-HZ, BG, TG	1	COUPE PR:098, XLU, -074
	991 731 982 26 OK6	saddle brown	-SZ		
	991 731 982 26 7J0	Luxor beige	-UZ		
	991 731 982 26 OG6	Bordeaux red	-LZ		
	991 731 982 26 6J0	Espresso	-NE, BY		
	991 731 981 23	Sun visor Alcantara	left		
	(1)	991 731 981 23 2W0	Black		
991 731 982 24		Sun visor Alcantara	right		
(1)	991 731 982 24 2W0	Black		1	COUPE PR:098, XLU, -074

Model: 991T13 Model life 2014>>

Pos	Part Number	Description	Remark	Qty	Model
(1)	991 731 981 24	Sun visor Alcantara	left	1	COUPE PR:099,XLU, -074
(1)	991 731 981 24 2W0 991 731 982 23	Black Sun visor Alcantara	right	1	COUPE PR:099,XLU, -074
(1)	991 731 982 23 2W0 991 731 981 23	Black Sun visor Alcantara	left	1	COUPE PR:074,XLU
(1)	991 731 981 23 2W0 991 731 982 23	Black Sun visor Alcantara	right	1	COUPE PR:074,XLU
(1)	991 731 982 23 2W0 991 731 981 29	Black Sun visor Alcantara	left	1	CABRIO PR:098,XLU, -074
(1)	991 731 981 29 2W0 991 731 982 30	Black Sun visor Alcantara	right	1	CABRIO PR:098,XLU, -074
(1)	991 731 982 30 2W0 991 731 981 30	Black Sun visor Alcantara	left	1	CABRIO PR:099,XLU, -074
(1)	991 731 981 30 2W0 991 731 982 29	Black Sun visor Alcantara	right	1	CABRIO PR:099,XLU, -074
(1)	991 731 982 29 2W0 991 731 981 29	Black Sun visor Alcantara	left	1	CABRIO PR:074,XLU
(1)	991 731 981 29 2W0 991 731 982 29	Black Sun visor Alcantara	left	1	CABRIO PR:074,XLU
2	991 731 831 03	Cover	left	1	COUPE
(2)	991 731 831 03 1E0 991 731 832 03	Black Cover	right	1	COUPE
(2)	991 731 831 06 991 731 831 06 1E0	Black Cover	left	1	CABRIO
(2)	991 731 832 06 991 731 832 06 1E0	Black Cover	right	1	CABRIO
3	991 731 341 04	Support Sun visor		2	
4	991 731 341 04 1E0 N 104 857 03	Black Hexagon socket flat head bolt M5 X 12		2	
5	N 104 857 03	Hexagon socket flat head bolt M5 X 12		2	COUPE
(5)	999 073 223 01	Bolt with washer M6X25		4	CABRIO

Model: 991T13

Model life 2014>>



Model: 991T13 Model life 2014>>

Pos	Part Number	Description	Remark	Qty	Model
1	991 731 031 26	sun vizors D - MJ 2017>> Sun visor	left	1	COUPE PR:098,-074, -075
	991 731 031 26 OF7	Black	-AZ,SZ,LZ,BT, BM,TD		
	991 731 031 26 OA2	agate grey	-FZ		
	991 731 031 26 OH7	Graphite Blue	-HZ,BG,TG		
	991 731 031 26 OE6	Luxor beige	-UZ		
(1)	991 731 031 26 OJ8	Espresso	-NE,BY		
	991 731 032 28	Sun visor	right	1	COUPE PR:098,-074, -075
	991 731 032 28 OF7	Black	-AZ,SZ,LZ,BT, BM,TD		
	991 731 032 28 OA2	agate grey	-FZ		
	991 731 032 28 OH7	Graphite Blue	-HZ,BG,TG		
	991 731 032 28 OE6	Luxor beige	-UZ		
	991 731 032 28 OJ8	Espresso	-NE,BY		
(1)	991 731 031 28	Sun visor	left	1	COUPE PR:099
	991 731 031 28 OF7	Black	-AZ,SZ,LZ,BT, BM,TD		
	991 731 031 28 OA2	agate grey	-FZ		
	991 731 031 28 OH7	Graphite Blue	-HZ,BG,TG		
	991 731 031 28 OE6	Luxor beige	-UZ		
	991 731 031 28 OJ8	Espresso	-NE,BY		
(1)	991 731 032 26	Sun visor	right	1	COUPE PR:099
	991 731 032 26 OF7	Black	-AZ,SZ,LZ,BT, BM,TD		
	991 731 032 26 OA2	agate grey	-FZ		
	991 731 032 26 OH7	Graphite Blue	-HZ,BG,TG		
	991 731 032 26 OE6	Luxor beige	-UZ		
	991 731 032 26 OJ8	Espresso	-NE,BY		
(1)	991 731 031 26	Sun visor	left	1	COUPE PR:074
	991 731 031 26 OF7	Black	-AZ,SZ,LZ,BT, BM,TD		
	991 731 031 26 OA2	agate grey	-FZ		
	991 731 031 26 OH7	Graphite Blue	-HZ,BG,TG		
	991 731 031 26 OE6	Luxor beige	-UZ		
	991 731 031 26 OJ8	Espresso	-NE,BY		
(1)	991 731 032 26	Sun visor	right	1	COUPE PR:074
	991 731 032 26 OF7	Black	-AZ,SZ,LZ,BT, BM,TD		
	991 731 032 26 OA2	agate grey	-FZ		
	991 731 032 26 OH7	Graphite Blue	-HZ,BG,TG		
	991 731 032 26 OE6	Luxor beige	-UZ		
	991 731 032 26 OJ8	Espresso	-NE,BY		
(1)	991 731 031 26	Sun visor	left	1	COUPE PR:075
	991 731 031 26 OF7	Black	-AZ,SZ,LZ,BT, BM,TD		
	991 731 031 26 OA2	agate grey	-FZ		
	991 731 031 26 OH7	Graphite Blue	-HZ,BG,TG		
	991 731 031 26 OE6	Luxor beige	-UZ		
	991 731 031 26 OJ8	Espresso	-NE,BY		
(1)	991 731 032 32	Sun visor	right	1	COUPE PR:075
	991 731 032 32 OF7	Black	-AZ,SZ,LZ,BT,		

Model: 991T13 Model life 2014>>

Pos	Part Number	Description	Remark	Qty	Model
(1)	991 731 032 32 OA2	agate grey	BM,TD -FZ	1	CABRIO PR:098,-074, -075
	991 731 032 32 OH7	Graphite Blue	-HZ,BG,TG		
	991 731 032 32 OE6	Luxor beige	-UZ		
	991 731 032 32 OJ8	Espresso	-NE,BY		
	991 731 031 29	Sun visor	left		
(1)	991 731 031 29 OF7	Black	-AZ,SZ,LZ,BT, BM,TD	1	CABRIO PR:098,-074, -075
	991 731 031 29 OA2	agate grey	-FZ		
	991 731 031 29 OH7	Graphite Blue	-HZ,BG,TG		
	991 731 031 29 OE6	Luxor beige	-UZ		
	991 731 031 29 OJ8	Espresso	-NE,BY		
(1)	991 731 032 31	Sun visor	right	1	CABRIO PR:099
	991 731 032 31 OF7	Black	-AZ,SZ,LZ,BT, BM,TD		
	991 731 032 31 OA2	agate grey	-FZ		
	991 731 032 31 OH7	Graphite Blue	-HZ,BG,TG		
	991 731 032 31 OE6	Luxor beige	-UZ		
(1)	991 731 031 31	Sun visor	left	1	CABRIO PR:099
	991 731 031 31 OF7	Black	-AZ,SZ,LZ,BT, BM,TD		
	991 731 031 31 OA2	agate grey	-FZ		
	991 731 031 31 OH7	Graphite Blue	-HZ,BG,TG		
	991 731 031 31 OE6	Luxor beige	-UZ		
(1)	991 731 031 31 OJ8	Espresso	-NE,BY	1	CABRIO PR:099
	991 731 032 29	Sun visor	right		
	991 731 032 29 OF7	Black	-AZ,SZ,LZ,BT, BM,TD		
	991 731 032 29 OA2	agate grey	-FZ		
	991 731 032 29 OH7	Graphite Blue	-HZ,BG,TG		
(1)	991 731 032 29 OE6	Luxor beige	-UZ	1	CABRIO PR:074
	991 731 032 29 OJ8	Espresso	-NE,BY		
	991 731 031 29	Sun visor	left		
	991 731 031 29 OF7	Black	-AZ,SZ,LZ,BT, BM,TD		
	991 731 031 29 OA2	agate grey	-FZ		
(1)	991 731 031 29 OH7	Graphite Blue	-HZ,BG,TG	1	CABRIO PR:074
	991 731 031 29 OE6	Luxor beige	-UZ		
	991 731 031 29 OJ8	Espresso	-NE,BY		
	991 731 032 29	Sun visor	right		
	991 731 032 29 OF7	Black	-AZ,SZ,LZ,BT, BM,TD		
(1)	991 731 032 29 OA2	agate grey	-FZ	1	CABRIO PR:075
	991 731 032 29 OH7	Graphite Blue	-HZ,BG,TG		
	991 731 032 29 OE6	Luxor beige	-UZ		
	991 731 032 29 OJ8	Espresso	-NE,BY		
	991 731 031 29	Sun visor	left		
(1)	991 731 031 29 OF7	Black	-AZ,SZ,LZ,BT, BM,TD	1	CABRIO PR:075
	991 731 031 29 OA2	agate grey	-FZ		
	991 731 031 29 OH7	Graphite Blue	-HZ,BG,TG		
	991 731 031 29 OE6	Luxor beige	-UZ		
	991 731 031 29 OJ8	Espresso	-NE,BY		

Model: 991T13

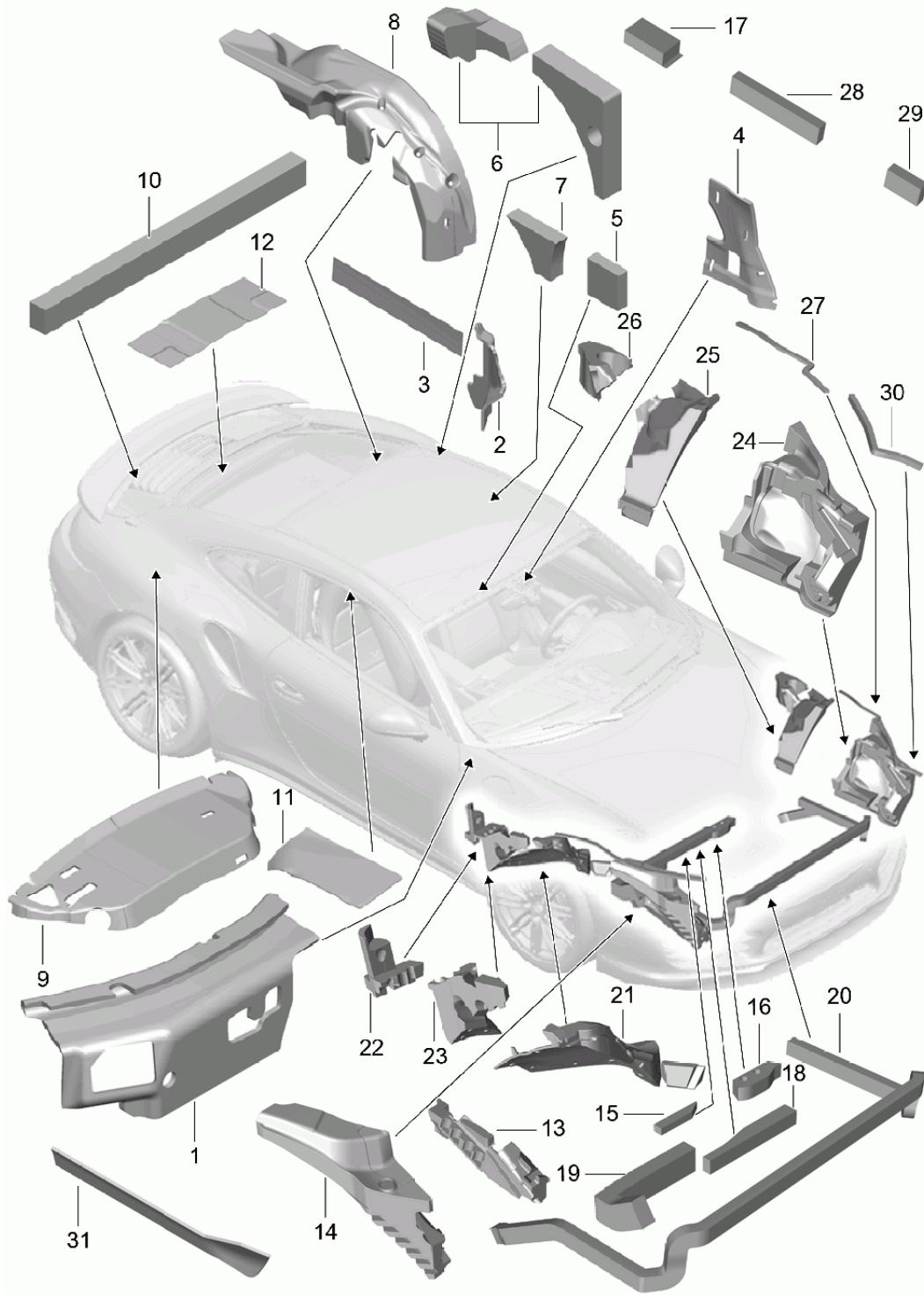
Model life 2014>>

Pos	Part Number	Description	Remark	Qty	Model
(1)	991 731 032 33	Sun visor	right	1	CABRIO PR:075
	991 731 032 33 OF7	Black	-AZ,SZ,LZ,BT, BM,TD		
	991 731 032 33 OA2	agate grey	-FZ		
	991 731 032 33 OH7	Graphite Blue	-HZ,BG,TG		
	991 731 032 33 OE6	Luxor beige	-UZ		
	991 731 032 33 OJ8	Espresso	-NE,BY		
2	991 731 831 03	Cover	left	1	COUPE
	991 731 831 03 1E0	Black			
(2)	991 731 832 03	Cover	right	1	COUPE
	991 731 832 03 1E0	Black			
(2)	991 731 831 06	Cover	left	1	CABRIO
	991 731 831 06 1E0	Black			
(2)	991 731 832 06	Cover	right	1	CABRIO
	991 731 832 06 1E0	Black			
3	991 731 341 04	Support Sun visor		2	
	991 731 341 04 1E0	Black			
4	N 104 857 03	Hexagon socket flat head bolt M5 X 12		2	
5	N 104 857 03	Hexagon socket flat head bolt M5 X 12		2	COUPE
(5)	999 073 223 01	Bolt with washer M6 X 25		4	CABRIO



Model: 991T13

Model life 2014>>



Model: 991T13

Model life 2014&gt;&gt;

Pos	Part Number	Description	Remark	Qty	Model
		Body			COUPE
		Sound proofing 1			
		D >> - MJ 2016			
1	991 556 723 00	Sound absorber	lhd	1	PR:098
		Firewall			
(1)	991 556 724 00	Sound absorber	rhd	1	PR:099
		Firewall			
2	991 556 605 01	Sound absorber	left	1	
		Wheel housing	front		
(2)	991 556 606 00	Sound absorber	right	1	
		Wheel housing	front		
3	997 556 531 01	sound absorber for door		2	
4	991 556 513 02	Sound absorber		2	
		B-pillar			
		Side panel trim			
5	991 556 803 00	Sound absorber		2	
		Seat well			
6	991 556 571 01	Sound absorber	left	2	
		Rear bulkhead			
-	999 049 027 40	Plastic nut		2	
		Mount			
		Sound absorber			
		Rear bulkhead			
7	991 556 667 00	Sound absorber		2	
		Wheel housing			
		Rear bulkhead			
8	991 556 657 00	Sound absorber	left	1	
		Wheel housing	rear		
(8)	991 556 658 00	Sound absorber	right	1	
		Wheel housing	rear		
9	991 556 711 01	Sound absorber		1	
		Engine bay			
10	991 556 719 01	Sound absorber		1	
		Bleeding			
11	991 556 503 00	Damping	inner	14	
12	991 556 521 00	Damping mat	rear	1	
13	991 572 532 00	Foam part		1	
		PDCC			
		Firewall			
14	991 572 534 00	Foam part		1	
		PDCC			
		Firewall			
(14)	991 556 505 00	Sound absorber	outer	1	
		Firewall			
(14)	991 556 506 00	Damping for cowl	outer	1	
15	991 572 557 00	Foam part		1	
		Fuel tank			
16	991 572 553 00	Foam part		1	
		Fuel tank			
17	991 572 529 00	Foam part		1	
		Fuel tank			
18	991 572 527 01	Foam part		1	
		Fuel tank			
19	991 572 525 01	Foam part		1	
		Fuel tank			
20	991 572 522 02	Foam part		1	
		Fuel tank			
21	991 572 516 01	Foam part	lhd	1	PR:098
		Tank filler neck			
22	991 572 512 00	Foam part	lhd	1	PR:098
		Tank filler neck			
23	991 572 514 00	Foam part	lhd	1	PR:098
		Tank filler neck			

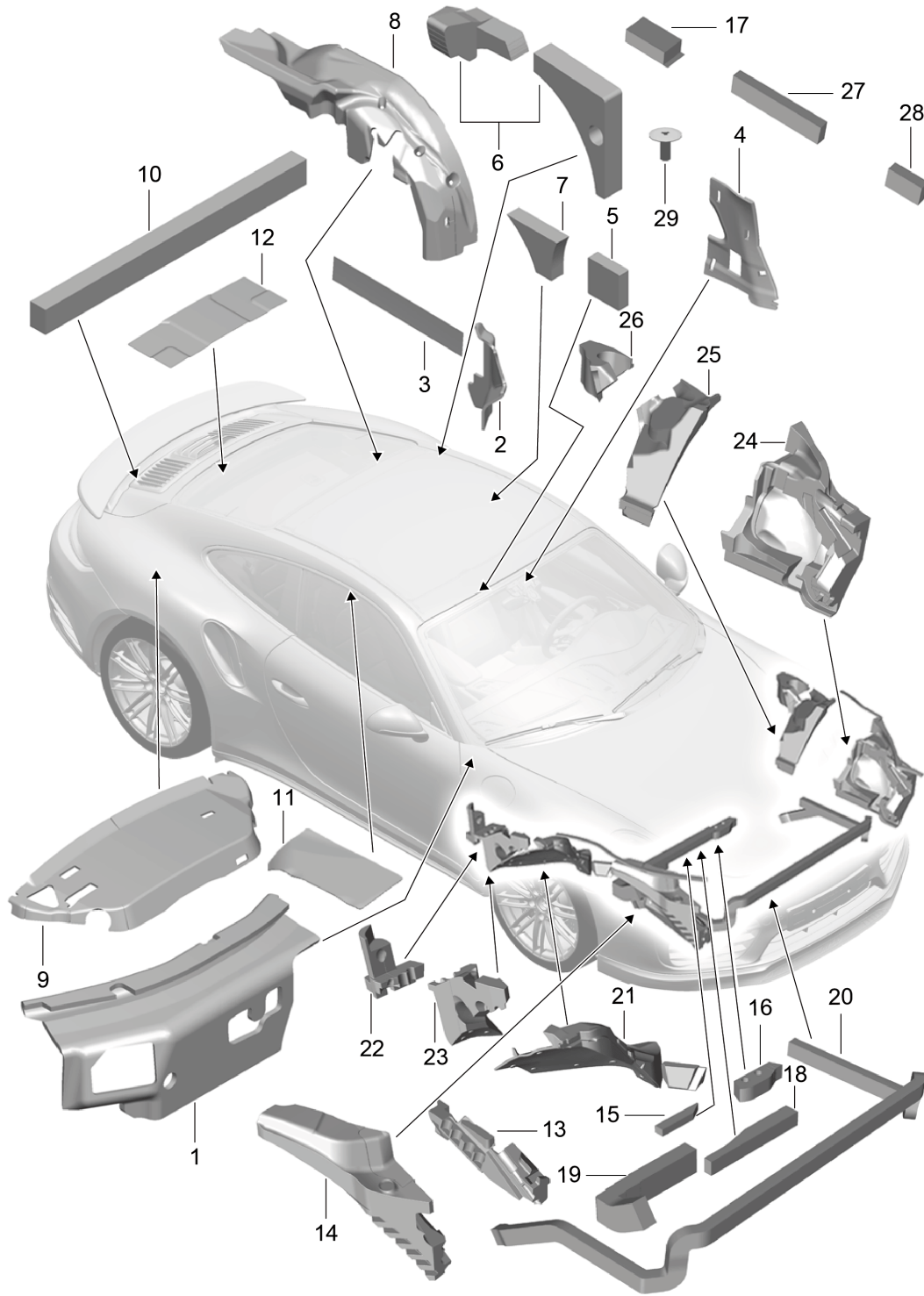
Model: 991T13

Model life 2014>>

Pos	Part Number	Description	Remark	Qty	Model
24	991 572 531 01	Foam part Hydraulic unit	rhd	1	PR:099
25	991 572 511 01	Foam part Water reservoir	rhd	1	PR:099
26	991 572 513 01	Foam part Water reservoir	rhd	1	PR:099
27	991 572 541 00	Foam part Wing D >> - MJ 2015 Discontinued part		1	
28	991 572 543 00	Foam part Wing		1	
29	991 572 545 00	Foam part Wing		1	
30	991 572 547 00	Foam part Wing D >> - MJ 2015 Discontinued part		1	
31	991 556 701 00	Sound absorber Tunnel transmission Discontinued part		1	

Model: 991T13

Model life 2014>>



Model: 991T13

Model life 2014>>

Pos	Part Number	Description	Remark	Qty	Model
		Body			COUPE
1	991 556 723 01	D - MJ 2017>> Sound absorber	lhd	1	PR:098
(1)	991 556 724 01	Firewall Sound absorber	rhd	1	PR:099
2	991 556 605 02	Firewall Sound absorber	left	1	
(2)	991 556 606 01	Wheel housing Sound absorber	front	1	
3	997 556 531 01	Wheel housing Sound absorber for door	right	2	
4	991 556 513 06	Wheel housing Sound absorber	front	2	
5	991 556 803 01	B-pillar Side panel trim Sound absorber		2	
6	991 556 571 02	Seat well Sound absorber	left	2	
7	991 556 667 01	Rear bulkhead Sound absorber		2	
8	991 556 657 03	Wheel housing Rear bulkhead Sound absorber	left	1	
(8)	991 556 658 00	Wheel housing Sound absorber	rear	1	
9	991 556 711 02	Wheel housing Sound absorber	right	1	
10	991 556 719 03	Engine bay Sound absorber		1	
11	991 556 503 00	Bleeding Damping	inner	14	
12	991 556 521 00	Damping mat	rear	1	
13	991 572 532 00	Foam part PDCC	lhd	1	PR:098
14	991 572 534 00	Firewall Foam part PDCC	lhd	1	PR:098
(14)	991 556 505 00	Firewall Sound absorber	outer	1	
(14)	991 556 506 00	Damping for cowl	outer	1	
15	991 572 557 00	Foam part		1	
16	991 572 553 00	Fuel tank		1	
17	991 572 529 00	Foam part		1	
18	991 572 527 01	Fuel tank		1	
19	991 572 525 01	Foam part		1	
20	991 572 522 02	Fuel tank		1	
21	991 572 516 01	Foam part	lhd	1	PR:098
22	991 572 512 00	Tank filler neck Foam part	lhd	1	PR:098
23	991 572 514 00	Tank filler neck Foam part	lhd	1	PR:098
24	991 572 531 01	Tank filler neck Foam part	lhd	1	PR:098
25	991 572 511 01	Hydraulic unit Foam part	rhd	1	PR:099
26	991 572 513 01	Water reservoir Foam part	rhd	1	PR:099

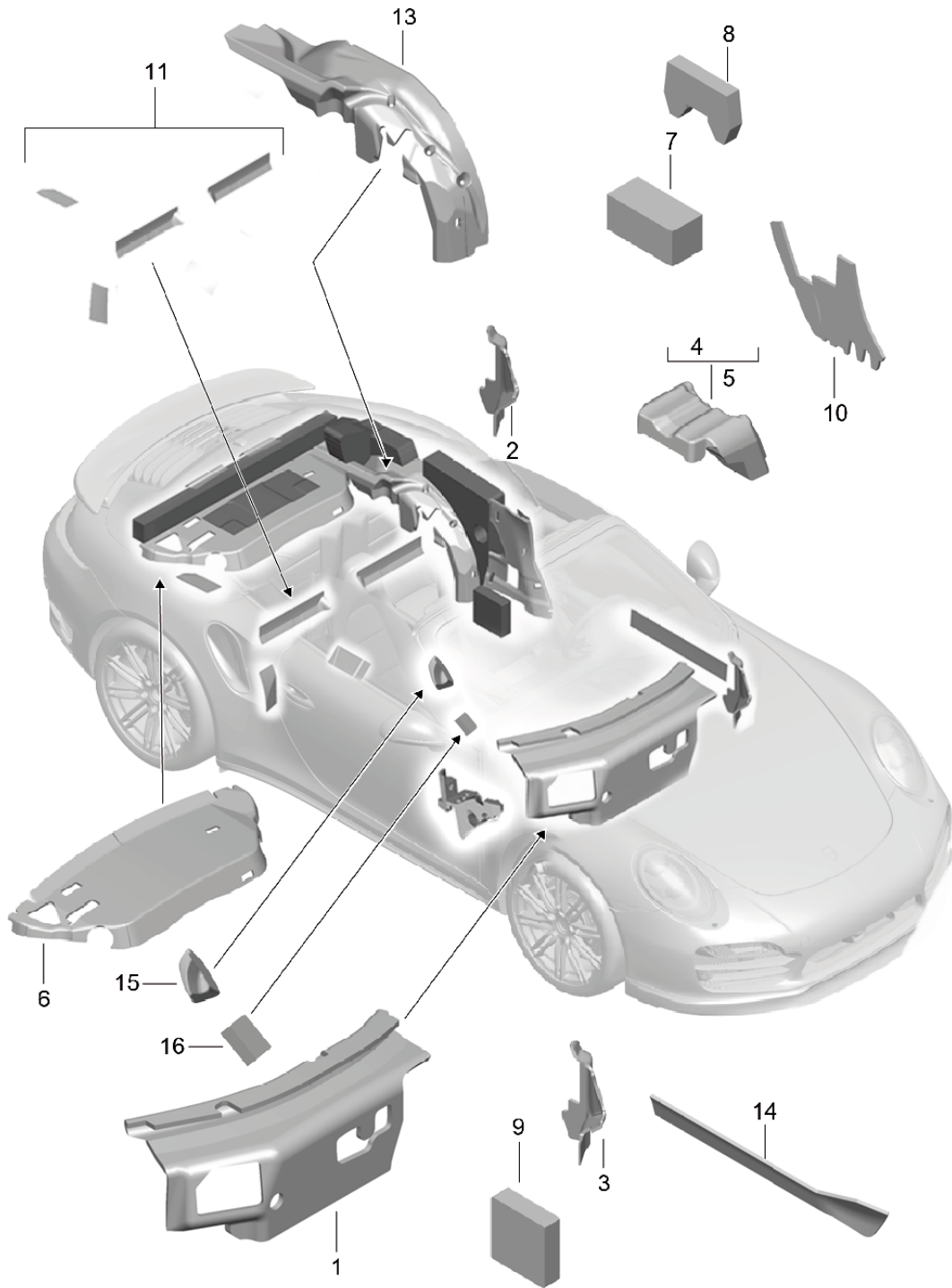
Model: 991T13

Model life 2014>>

Pos	Part Number	Description	Remark	Qty	Model
27	991 572 543 00	Water reservoir Foam part Wing		1	
28	991 572 545 00	Foam part Wing		1	
29	999 049 027 40	Plastic nut Mount Sound absorber		2	
4	991 556 647 00	Rear bulkhead Sound absorber Roof		1	PR:652

Model: 991T13

Model life 2014>>



Model: 991T13

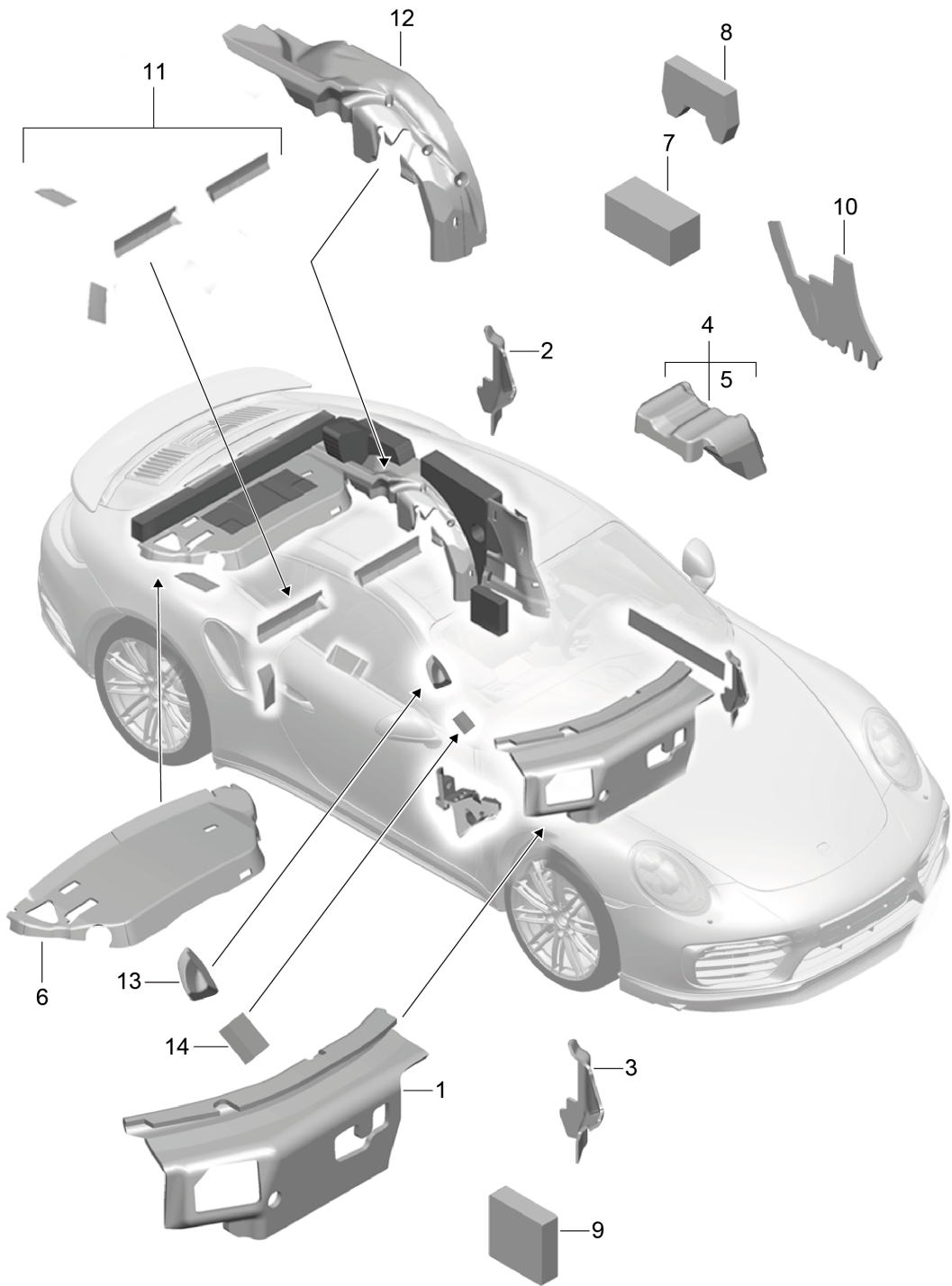
Model life 2014>>

Pos	Part Number	Description	Remark	Qty	Model
		Body			Cabrio
		Sound proofing 1			
		D >> - MJ 2016			
1	991 556 723 00	Sound absorber	lhd	1	PR:098
		Firewall			
(1)	991 556 724 00	Sound absorber	rhd	1	PR:099
		Firewall			
(1)	991 556 505 00	Sound absorber	outer	1	
		Firewall			
(1)	991 556 506 00	Damping for cowl	outer	1	
2	991 556 605 01	Sound absorber	left	1	
		Wheel housing	front		
(2)	991 556 606 00	Sound absorber	right	1	
		Wheel housing	front		
3	997 556 531 01	sound absorber for door		2	
4	991 556 541 00	Sound absorber	lower	1	
		B-pillar			
5	991 556 541 00	Sound absorber		1	
		Convertible top			
		tray			
6	991 556 711 01	Sound absorber	outer	1	
		Engine bay			
7	991 556 821 00	Sound absorber		1	
		Mounting			
		backrest			
8	991 556 543 00	Sound absorber	inner	1	
		B-pillar			
9	991 556 803 00	Sound absorber		1	
		Seat well			
10	991 556 546 02	Sound absorber	right	1	
		Rear bulkhead			
(10)	991 556 545 02	Sound absorber	left	1	
		Rear bulkhead			
(10)	991 556 573 00	Sound absorber		1	
		Rear covering			
11	991 556 503 00	Damping	inner	1	
13	991 556 658 01	Sound absorber	right	1	
		Wheel housing	rear		
(13)	991 556 657 01	Sound absorber	left	1	
		Wheel housing	rear		
14	991 556 701 00	Sound absorber		1	
		Tunnel transmission			
		Discontinued part			
15	991 555 781 00	Foam part	left	1	
		Foam part			
		A-pillar			
(15)	991 555 782 00	Foam part	right	1	
		Foam part			
		A-pillar			
16	991 555 783 00	Foam part	left a. right	1	
		Foam part	lower		
		A-pillar			



Model: 991T13

Model life 2014>>



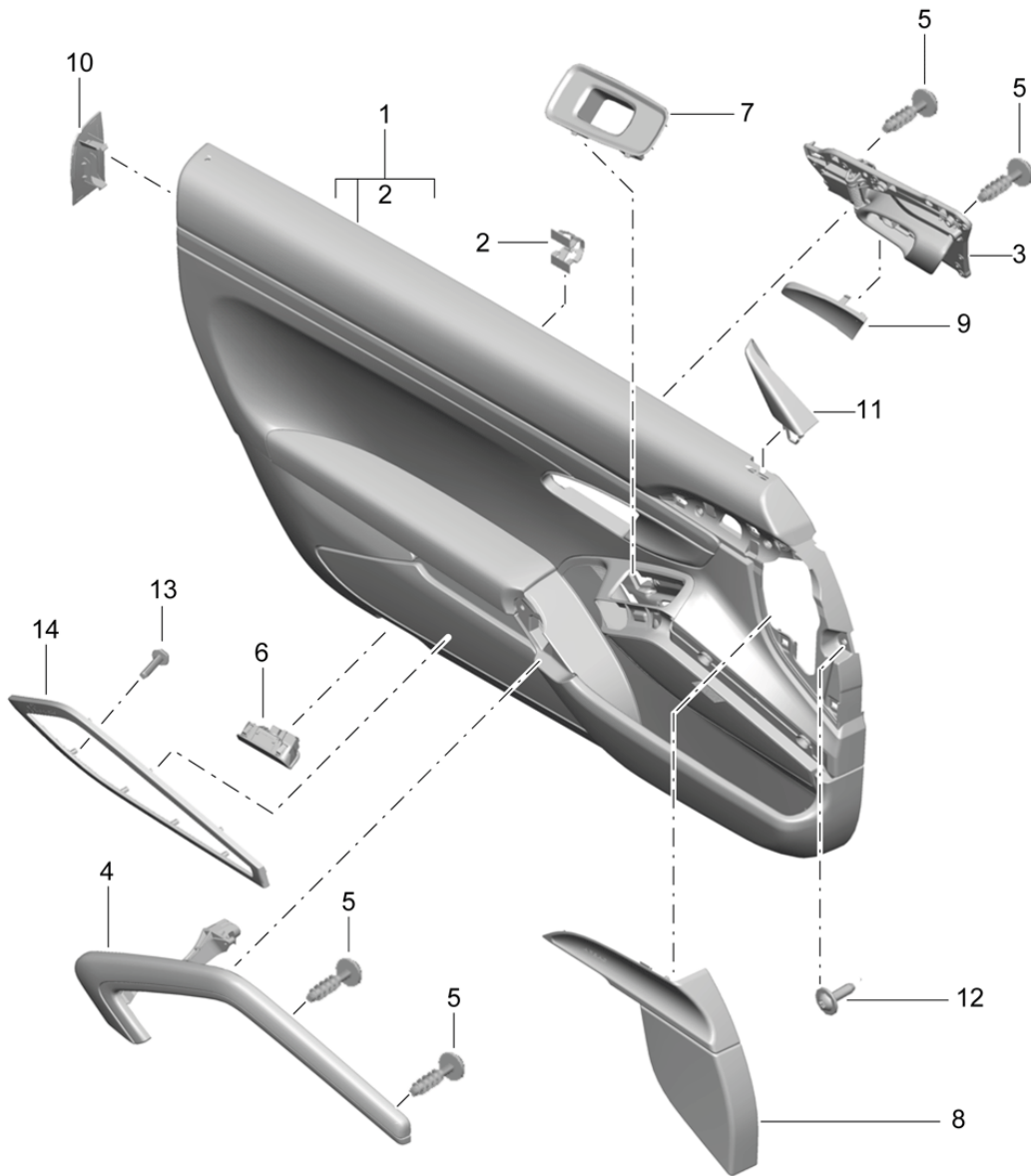
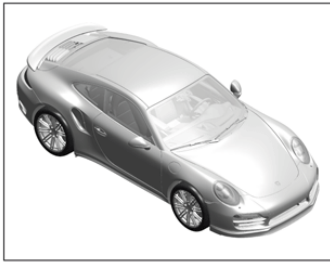
Model: 991T13

Model life 2014>>

Pos	Part Number	Description	Remark	Qty	Model
		Body			Cabrio
		Sound proofing 1			
		D - MJ 2017>>			
1	991 556 723 01	Sound absorber	lhd	1	PR:098
		Firewall			
(1)	991 556 724 01	Sound absorber	rhd	1	PR:099
		Firewall			
(1)	991 556 505 00	Sound absorber	outer	1	
		Firewall			
(1)	991 556 506 00	Damping for cowl	outer	1	
2	991 556 605 02	Sound absorber	left	1	
		Wheel housing	front		
(2)	991 556 606 01	Sound absorber	right	1	
		Wheel housing	front		
3	997 556 531 01	sound absorber for door		2	
4	991 556 541 00	Sound absorber	lower	1	
		B-pillar			
5	991 556 541 00	Sound absorber		1	
		Convertible top			
		tray			
6	991 556 711 02	Sound absorber	outer	1	
		Engine bay			
7	991 556 821 01	Sound absorber		1	
		Mounting			
		backrest			
8	991 556 543 00	Sound absorber	inner	1	
		B-pillar			
9	991 556 803 01	Sound absorber		1	
		Seat well			
10	991 556 546 04	Sound absorber	right	1	
		Rear bulkhead			
(10)	991 556 545 04	Sound absorber	left	1	
		Rear bulkhead			
11	991 556 503 00	Damping	inner	1	
12	991 556 658 01	Sound absorber	right	1	
		Wheel housing	rear		
(12)	991 556 657 01	Sound absorber	left	1	
		Wheel housing	rear		
13	991 555 781 00	Foam part	left	1	
		Sound absorber			
		A-pillar			
(13)	991 555 782 00	Foam part	right	1	
		Sound absorber			
		A-pillar			
14	991 555 783 00	Foam part	left a. right	1	
		Sound absorber	lower		
		A-pillar			

Model: 991T13

Model life 2014>>



Model: 991T13 Model life 2014>>

Pos	Part Number	Description	Remark	Qty	Model
		door panel Accessories Trim Galvano silver D >> - MJ 2016			PR:981,812, -788
1	991 555 903 04	Door panel trim (leather)	left	1	PR:680,-625
	991 555 903 04 A11	Black	-AZ		
	991 555 903 04 9B0	Platinum Grey	-CZ		
	991 555 903 04 7J0	Luxor beige	-UZ		
	991 555 903 04 6A0	yachting blue	-EZ		
	991 555 903 04 OA1	agate grey	-DK		
	991 555 903 04 6J0	Espresso	-NE		
	991 555 903 04 N12	Carrera Red	-NG		
(1)	991 555 903 04	Door panel trim (leather) two-colour	left	1	PR:680,-625
	991 555 903 04 GEG	Black/Platinum Grey	-BR		
	991 555 903 04 GMG	Agate Grey/Pebble Grey	-BV		
	991 555 903 04 GRG	Espresso/Cognac	-BH		
	991 555 903 04 DTO	Black/Luxor Beige	-BL		
	991 555 903 04 DQW	Black/Carrera Red	-BA		
(1)	991 555 904 04	Door panel trim (leather)	right	1	PR:680,-625
	991 555 904 04 A11	Black	-AZ		
	991 555 904 04 9B0	Platinum Grey	-CZ		
	991 555 904 04 7J0	Luxor beige	-UZ		
	991 555 904 04 6A0	yachting blue	-EZ		
	991 555 904 04 OA1	agate grey	-DK		
	991 555 904 04 6J0	Espresso	-NE		
	991 555 904 04 N12	Carrera Red	-NG		
(1)	991 555 904 04	Door panel trim (leather) two-colour	right	1	PR:680,-625
	991 555 904 04 GEG	Black/Platinum Grey	-BR		
	991 555 904 04 GMG	Agate Grey/Pebble Grey	-BV		
	991 555 904 04 GRG	Espresso/Cognac	-BH		
	991 555 904 04 DTO	Black/Luxor Beige	-BL		
	991 555 904 04 DQW	Black/Carrera Red	-BA		
(1)	991 555 903 05	Door panel trim (leather)	left	1	PR:682,-625
	991 555 903 05 A11	Black	-AZ		
	991 555 903 05 9B0	Platinum Grey	-CZ		
	991 555 903 05 7J0	Luxor beige	-UZ		
	991 555 903 05 6A0	yachting blue	-EZ		
	991 555 903 05 OA1	agate grey	-DK		
	991 555 903 05 6J0	Espresso	-NE		
	991 555 903 05 N12	Carrera Red	-NG		
(1)	991 555 903 05	Door panel trim (leather) two-colour	left	1	PR:682,-625
	991 555 903 05 GEG	Black/Platinum Grey	-BR		
	991 555 903 05 GMG	Agate Grey/Pebble Grey	-BV		
	991 555 903 05 GRG	Espresso/Cognac	-BH		
	991 555 903 05 DTO	Black/Luxor Beige	-BL		
	991 555 903 05 DQW	Black/Carrera Red	-BA		
(1)	991 555 904 05	Door panel trim (leather)	right	1	PR:682,-625
	991 555 904 05 A11	Black	-AZ		
	991 555 904 05 9B0	Platinum Grey	-CZ		
	991 555 904 05 7J0	Luxor beige	-UZ		
	991 555 904 05 6A0	yachting blue	-EZ		
	991 555 904 05 OA1	agate grey	-DK		
	991 555 904 05 6J0	Espresso	-NE		
	991 555 904 05 N12	Carrera Red	-NG		
(1)	991 555 904 05	Door panel trim (leather) two-colour	right	1	PR:682,-625
	991 555 904 05 GEG	Black/Platinum Grey	-BR		
	991 555 904 05 GMG	Agate Grey/Pebble Grey	-BV		
	991 555 904 05 GRG	Espresso/Cognac	-BH		

Model: 991T13 Model life 2014>>

Pos	Part Number	Description	Remark	Qty	Model			
(1)	991 555 904 05 DTO	Black/Luxor Beige	-BL	1	PR:098,537, 680,-625			
	991 555 904 05 DQW	Black/Carrera Red	-BA					
	991 555 903 10	Door panel trim (leather)	left lhd					
	991 555 903 10 A11	Black	-AZ					
	991 555 903 10 9B0	Platinum Grey	-CZ					
	991 555 903 10 7J0	Luxor beige	-UZ					
	991 555 903 10 6A0	yachting blue	-EZ					
	991 555 903 10 OA1	agate grey	-DK					
	991 555 903 10 6J0	Espresso	-NE					
	991 555 903 10 N12	Carrera Red	-NG					
(1)	991 555 903 10	Door panel trim (leather)	left lhd	1	PR:098,537, 680,-625			
		two-colour						
	991 555 903 10 GEG	Black/Platinum Grey	-BR					
	991 555 903 10 GMG	Agate Grey/Pebble Grey	-BV					
	991 555 903 10 GRG	Espresso/Cognac	-BH					
	991 555 903 10 DTO	Black/Luxor Beige	-BL					
	991 555 903 10 DQW	Black/Carrera Red	-BA					
	(1)	991 555 904 10	Door panel trim (leather)			right rhd	1	PR:099,538, 680,-625
		991 555 904 10 A11	Black			-AZ		
		991 555 904 10 9B0	Platinum Grey			-CZ		
991 555 904 10 7J0		Luxor beige	-UZ					
991 555 904 10 6A0		yachting blue	-EZ					
991 555 904 10 OA1		agate grey	-DK					
991 555 904 10 6J0		Espresso	-NE					
991 555 904 10 N12		Carrera Red	-NG					
(1)		991 555 904 10	Door panel trim (leather)	right rhd	1	PR:099,538, 680,-625		
			two-colour					
	991 555 904 10 GEG	Black/Platinum Grey	-BR					
	991 555 904 10 GMG	Agate Grey/Pebble Grey	-BV					
	991 555 904 10 GRG	Espresso/Cognac	-BH					
	991 555 904 10 DTO	Black/Luxor Beige	-BL					
	991 555 904 10 DQW	Black/Carrera Red	-BA					
	(1)	991 555 903 11	Door panel trim (leather)	left lhd			1	PR:098,537, 682,-625
		991 555 903 11 A11	Black	-AZ				
		991 555 903 11 9B0	Platinum Grey	-CZ				
991 555 903 11 7J0		Luxor beige	-UZ					
991 555 903 11 6A0		yachting blue	-EZ					
991 555 903 11 OA1		agate grey	-DK					
991 555 903 11 6J0		Espresso	-NE					
991 555 903 11 N12		Carrera Red	-NG					
(1)		991 555 903 11	Door panel trim (leather)	left lhd	1	PR:098,537, 682,-625		
			two-colour					
	991 555 903 11 GEG	Black/Platinum Grey	-BR					
	991 555 903 11 GMG	Agate Grey/Pebble Grey	-BV					
	991 555 903 11 GRG	Espresso/Cognac	-BH					
	991 555 903 11 DTO	Black/Luxor Beige	-BL					
	991 555 903 11 DQW	Black/Carrera Red	-BA					
	(1)	991 555 904 11	Door panel trim (leather)	right rhd			1	PR:099,538, 682,-625
		991 555 904 11 A11	Black	-AZ				
		991 555 904 11 9B0	Platinum Grey	-CZ				
991 555 904 11 7J0		Luxor beige	-UZ					
991 555 904 11 6A0		yachting blue	-EZ					
991 555 904 11 OA1		agate grey	-DK					
991 555 904 11 6J0		Espresso	-NE					
991 555 904 11 N12		Carrera Red	-NG					
(1)		991 555 904 11	Door panel trim (leather)	right rhd	1	PR:099,538,		
			two-colour					
	991 555 904 11 GEG	Black/Platinum Grey	-BR					
	991 555 904 11 GMG	Agate Grey/Pebble Grey	-BV					
	991 555 904 11 GRG	Espresso/Cognac	-BH					
	991 555 904 11 DTO	Black/Luxor Beige	-BL					
	991 555 904 11 DQW	Black/Carrera Red	-BA					
		two-colour						
	991 555 904 11 A11	Black	-AZ					
	991 555 904 11 9B0	Platinum Grey	-CZ					
991 555 904 11 7J0	Luxor beige	-UZ						
991 555 904 11 6A0	yachting blue	-EZ						
991 555 904 11 OA1	agate grey	-DK						
991 555 904 11 6J0	Espresso	-NE						
991 555 904 11 N12	Carrera Red	-NG						
(1)	991 555 904 11	Door panel trim (leather)	right rhd	1	PR:099,538,			
		two-colour						
	991 555 904 11 GEG	Black/Platinum Grey	-BR					
	991 555 904 11 GMG	Agate Grey/Pebble Grey	-BV					
	991 555 904 11 GRG	Espresso/Cognac	-BH					
	991 555 904 11 DTO	Black/Luxor Beige	-BL					
	991 555 904 11 DQW	Black/Carrera Red	-BA					
		two-colour						
	991 555 904 11 A11	Black	-AZ					
	991 555 904 11 9B0	Platinum Grey	-CZ					
991 555 904 11 7J0	Luxor beige	-UZ						
991 555 904 11 6A0	yachting blue	-EZ						
991 555 904 11 OA1	agate grey	-DK						
991 555 904 11 6J0	Espresso	-NE						
991 555 904 11 N12	Carrera Red	-NG						

Model: 991T13 Model life 2014>>

Pos	Part Number	Description	Remark	Qty	Model
		two-colour			682,-625
	991 555 904 11 GEG	Black/Platinum Grey	-BR		
	991 555 904 11 GMG	Agate Grey/Pebble Grey	-BV		
	991 555 904 11 GRG	Espresso/Cognac	-BH		
	991 555 904 11 DTO	Black/Luxor Beige	-BL		
	991 555 904 11 DQW	Black/Carrera Red	-BA		
(1)	991 555 903 16	Door panel trim (leather)	left	1	PR:625,680
	991 555 903 16 A11	Black	-AZ		
	991 555 903 16 9B0	Platinum Grey	-CZ		
	991 555 903 16 7J0	Luxor beige	-UZ		
	991 555 903 16 6A0	yachting blue	-EZ		
	991 555 903 16 OA1	agate grey	-DK		
	991 555 903 16 6J0	Espresso	-NE		
	991 555 903 16 N12	Carrera Red	-NG		
(1)	991 555 903 16	Door panel trim (leather)	left	1	PR:625,680
		two-colour			
	991 555 903 16 GEG	Black/Platinum Grey	-BR		
	991 555 903 16 GMG	Agate Grey/Pebble Grey	-BV		
	991 555 903 16 GRG	Espresso/Cognac	-BH		
	991 555 903 16 DTO	Black/Luxor Beige	-BL		
	991 555 903 16 DQW	Black/Carrera Red	-BA		
(1)	991 555 904 16	Door panel trim (leather)	right	1	PR:625,680
	991 555 904 16 A11	Black	-AZ		
	991 555 904 16 9B0	Platinum Grey	-CZ		
	991 555 904 16 7J0	Luxor beige	-UZ		
	991 555 904 16 6A0	yachting blue	-EZ		
	991 555 904 16 OA1	agate grey	-DK		
	991 555 904 16 6J0	Espresso	-NE		
	991 555 904 16 N12	Carrera Red	-NG		
(1)	991 555 904 16	Door panel trim (leather)	right	1	PR:625,680
		two-colour			
	991 555 904 16 GEG	Black/Platinum Grey	-BR		
	991 555 904 16 GMG	Agate Grey/Pebble Grey	-BV		
	991 555 904 16 GRG	Espresso/Cognac	-BH		
	991 555 904 16 DTO	Black/Luxor Beige	-BL		
	991 555 904 16 DQW	Black/Carrera Red	-BA		
(1)	991 555 903 17	Door panel trim (leather)	left	1	PR:625,682
	991 555 903 17 A11	Black	-AZ		
	991 555 903 17 9B0	Platinum Grey	-CZ		
	991 555 903 17 7J0	Luxor beige	-UZ		
	991 555 903 17 6A0	yachting blue	-EZ		
	991 555 903 17 OA1	agate grey	-DK		
	991 555 903 17 6J0	Espresso	-NE		
	991 555 903 17 N12	Carrera Red	-NG		
(1)	991 555 903 17	Door panel trim (leather)	left	1	PR:625,682
		two-colour			
	991 555 903 17 GEG	Black/Platinum Grey	-BR		
	991 555 903 17 GMG	Agate Grey/Pebble Grey	-BV		
	991 555 903 17 GRG	Espresso/Cognac	-BH		
	991 555 903 17 DTO	Black/Luxor Beige	-BL		
	991 555 903 17 DQW	Black/Carrera Red	-BA		
(1)	991 555 904 17	Door panel trim (leather)	right	1	PR:625,682
	991 555 904 17 A11	Black	-AZ		
	991 555 904 17 9B0	Platinum Grey	-CZ		
	991 555 904 17 7J0	Luxor beige	-UZ		
	991 555 904 17 6A0	yachting blue	-EZ		
	991 555 904 17 OA1	agate grey	-DK		
	991 555 904 17 6J0	Espresso	-NE		
	991 555 904 17 N12	Carrera Red	-NG		
(1)	991 555 904 17	Door panel trim (leather)	right	1	PR:625,682
		two-colour			
	991 555 904 17 GEG	Black/Platinum Grey	-BR		

Model: 991T13

Model life 2014>>

Pos	Part Number	Description	Remark	Qty	Model
	991 555 904 17 GMG	Agate Grey/Pebble Grey	-BV		
	991 555 904 17 GRG	Espresso/Cognac	-BH		
	991 555 904 17 DTO	Black/Luxor Beige	-BL		
	991 555 904 17 DQW	Black/Carrera Red	-BA		
(1)	991 555 903 22	Door panel trim (leather)	left lhd	1	PR:098,537,625,680
	991 555 903 22 A11	Black	-AZ		
	991 555 903 22 9B0	Platinum Grey	-CZ		
	991 555 903 22 7J0	Luxor beige	-UZ		
	991 555 903 22 6A0	yachting blue	-EZ		
	991 555 903 22 OA1	agate grey	-DK		
	991 555 903 22 6J0	Espresso	-NE		
	991 555 903 22 N12	Carrera Red	-NG		
(1)	991 555 903 22	Door panel trim (leather)	left lhd	1	PR:098,537,625,680
		two-colour			
	991 555 903 22 GEG	Black/Platinum Grey	-BR		
	991 555 903 22 GMG	Agate Grey/Pebble Grey	-BV		
	991 555 903 22 GRG	Espresso/Cognac	-BH		
	991 555 903 22 DTO	Black/Luxor Beige	-BL		
	991 555 903 22 DQW	Black/Carrera Red	-BA		
(1)	991 555 904 22	Door panel trim (leather)	right rhd	1	PR:538,625,680,099
	991 555 904 22 A11	Black	-AZ		
	991 555 904 22 9B0	Platinum Grey	-CZ		
	991 555 904 22 7J0	Luxor beige	-UZ		
	991 555 904 22 6A0	yachting blue	-EZ		
	991 555 904 22 OA1	agate grey	-DK		
	991 555 904 22 6J0	Espresso	-NE		
	991 555 904 22 N12	Carrera Red	-NG		
(1)	991 555 904 22	Door panel trim (leather)	right rhd	1	PR:538,625,680,099
		two-colour			
	991 555 904 22 GEG	Black/Platinum Grey	-BR		
	991 555 904 22 GMG	Agate Grey/Pebble Grey	-BV		
	991 555 904 22 GRG	Espresso/Cognac	-BH		
	991 555 904 22 DTO	Black/Luxor Beige	-BL		
	991 555 904 22 DQW	Black/Carrera Red	-BA		
(1)	991 555 903 23	Door panel trim (leather)	left lhd	1	PR:098,537,625,682
	991 555 903 23 A11	Black	-AZ		
	991 555 903 23 9B0	Platinum Grey	-CZ		
	991 555 903 23 7J0	Luxor beige	-UZ		
	991 555 903 23 6A0	yachting blue	-EZ		
	991 555 903 23 OA1	agate grey	-DK		
	991 555 903 23 6J0	Espresso	-NE		
	991 555 903 23 N12	Carrera Red	-NG		
(1)	991 555 903 23	Door panel trim (leather)	left lhd	1	PR:098,537,625,682
		two-colour			
	991 555 903 23 GEG	Black/Platinum Grey	-BR		
	991 555 903 23 GMG	Agate Grey/Pebble Grey	-BV		
	991 555 903 23 GRG	Espresso/Cognac	-BH		
	991 555 903 23 DTO	Black/Luxor Beige	-BL		
	991 555 903 23 DQW	Black/Carrera Red	-BA		
(1)	991 555 904 23	Door panel trim (leather)	right rhd	1	PR:538,625,682,099
	991 555 904 23 A11	Black	-AZ		
	991 555 904 23 9B0	Platinum Grey	-CZ		
	991 555 904 23 7J0	Luxor beige	-UZ		
	991 555 904 23 6A0	yachting blue	-EZ		
	991 555 904 23 OA1	agate grey	-DK		
	991 555 904 23 6J0	Espresso	-NE		

Model: 991T13

Model life 2014>>

Pos	Part Number	Description	Remark	Qty	Model
(1)	991 555 904 23 N12 991 555 904 23	Carrera Red Door panel trim (leather)	-NG right rhd	1	PR:538,625, 682,099
		two-colour			
	991 555 904 23 GEG	Black/Platinum Grey	-BR		
	991 555 904 23 GMG	Agate Grey/Pebble Grey	-BV		
	991 555 904 23 GRG	Espresso/Cognac	-BH		
	991 555 904 23 DTO	Black/Luxor Beige	-BL		
	991 555 904 23 DQW	Black/Carrera Red	-BA		
2	999 507 533 02	Clamp 8,0 X 10,0 /2,5		X	
3	991 555 521 02	Inner actuator	left	1	
(3)	991 555 521 02 V08	Galvano silver			
	991 555 522 02	Inner actuator	right	1	
	991 555 522 02 V08	Galvano silver			
4	991 555 533 00	Pull handle Leather	left	1	
	991 555 533 00 A11	Black	-AZ		
	991 555 533 00 9B0	Platinum Grey	-CZ, BR		
	991 555 533 00 7J0	Luxor beige	-UZ, BL		
	991 555 533 00 6A0	yachting blue	-EZ		
	991 555 533 00 OA1	agate grey	-DK		
	991 555 533 00 OD4	flint grey	-BV		
	991 555 533 00 N12	Carrera Red	-BA, BQ, NG		
	991 555 533 00 6J0	Espresso	-NE		
	991 555 533 00 7F0	Cognac	-BH		
(4)	991 555 534 00	Pull handle (leather)	right	1	
	991 555 534 00 A11	Black	-AZ		
	991 555 534 00 9B0	Platinum Grey	-CZ, BR		
	991 555 534 00 7J0	Luxor beige	-UZ, BL		
	991 555 534 00 6A0	yachting blue	-EZ		
	991 555 534 00 OA1	agate grey	-DK		
	991 555 534 00 OD4	flint grey	-BV		
	991 555 534 00 N12	Carrera Red	-BA, BQ, NG		
	991 555 534 00 6J0	Espresso	-NE		
	991 555 534 00 7F0	Cognac	-BH		
5	999 919 262 01	fillister hd. bolt 4,0 X 16,0		9	
6	970 632 135 00	Door warning light		2	
7	991 555 723 01	Mounting frame Switch		1	
	991 555 723 01 1E0	Black			
8	991 555 721 00	Cover	left front	1	
	991 555 721 00 1E0	Black	-AZ, BR, BL, BA, BQ		
	991 555 721 00 6L0	Platinum Grey	-CZ		
	991 555 721 00 4H0	Luxor beige	-UZ		
	991 555 721 00 2F0	yachting blue	-EZ		
	991 555 721 00 OP1	agate grey	-DK, BV		
	991 555 721 00 7N0	Espresso	-NE, BH		
	991 555 721 00 OW5	Carrera Red	-NG		
8	991 555 722 00	Cover	right front	1	
	991 555 722 00 1E0	Black	-AZ, BR, BL, BA, BQ		
	991 555 722 00 6L0	Platinum Grey	-CZ		
	991 555 722 00 4H0	Luxor beige	-UZ		
	991 555 722 00 2F0	yachting blue	-EZ		
	991 555 722 00 OP1	agate grey	-DK, BV		
	991 555 722 00 7N0	Espresso	-NE, BH		
	991 555 722 00 OW5	Carrera Red	-NG		
9	7PP 837 247	Cover panel	left	1	



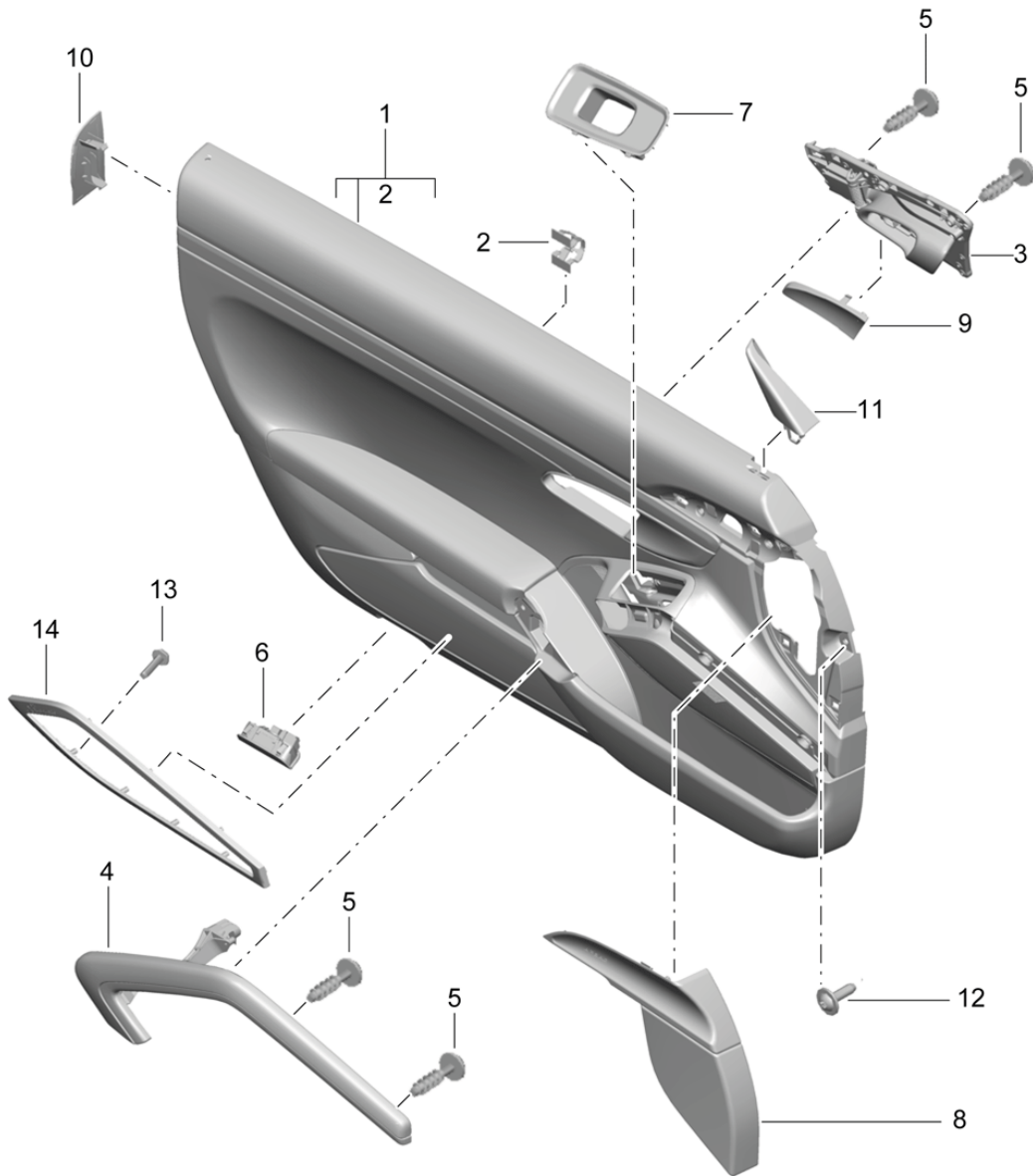
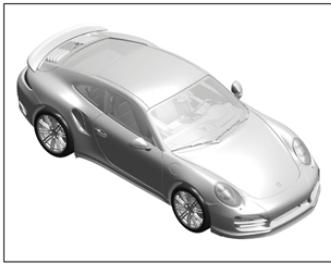
Model: 991T13

Model life 2014>>

Pos	Part Number	Description	Remark	Qty	Model	
(9)	7PP 837 247 1E0	Inner actuator Black				
	7PP 837 248	Cover panel	right	1		
10	7PP 837 248 1E0	Inner actuator Black				
	991 555 683 00	cover for airbag	left	1		
	991 555 683 00 1E0	Black	-AZ, BR, BL, BA, BQ			
	991 555 683 00 6L0	Platinum Grey	-CZ			
	991 555 683 00 4H0	Luxor beige	-UZ			
	991 555 683 00 2F0	yachting blue	-EZ			
	991 555 683 00 OP1	agate grey	-DK, BV			
	991 555 683 00 7N0	Espresso	-NE, BH			
	991 555 683 00 OW5	Carrera Red	-NG			
	(10)	991 555 684 00	cover for airbag	right	1	
991 555 684 00 1E0		Black	-AZ, BR, BL, BA, BQ			
991 555 684 00 6L0		Platinum Grey	-CZ			
991 555 684 00 4H0		Luxor beige	-UZ			
991 555 684 00 2F0		yachting blue	-EZ			
991 555 684 00 OP1		agate grey	-DK, BV			
991 555 684 00 7N0		Espresso	-NE, BH			
991 555 684 00 OW5		Carrera Red	-NG			
11		991 555 741 00	Cover panel window frame	left	1	
		991 555 741 00 1E0	Black			
(11)	991 555 742 00	Cover panel window frame	right	1		
	991 555 742 00 1E0	Black				
12	999 073 322 02	fillister hd. bolt M 6 X 20		8		
13	999 919 167 09	fillister hd. bolt M 3 X 10		10	PR:682	
14	991 555 581 00	decorative frame Loudspeaker trim Burmester	left	1	PR:682	
	991 555 581 00 V08	Galvano silver				
(14)	991 555 582 00	decorative frame Loudspeaker trim Burmester	right	1	PR:682	
	991 555 582 00 V08	Galvano silver				

Model: 991T13

Model life 2014>>



Model: 991T13

Model life 2014>>

Pos	Part Number	Description	Remark	Qty	Model
		door panel Accessories Trim Galvano silver D >> - MJ 2016			PR:981,812, 788
1	991 555 203 04	Door panel trim (leather)	left	1	PR:680,-625
	991 555 203 04 A11	Black	-AZ		
	991 555 203 04 9B0	Platinum Grey	-CZ		
	991 555 203 04 7J0	Luxor beige	-UZ		
	991 555 203 04 6A0	yachting blue	-EZ		
	991 555 203 04 OA1	agate grey	-DK		
	991 555 203 04 6J0	Espresso	-NE		
	991 555 203 04 N12	Carrera Red	-NG		
(1)	991 555 203 04	Door panel trim (leather) two-colour	left	1	PR:680,-625
	991 555 203 04 GEG	Black/Platinum Grey	-BR		
	991 555 203 04 GMG	Agate Grey/Pebble Grey	-BV		
	991 555 203 04 GRG	Espresso/Cognac	-BH		
	991 555 203 04 DTO	Black/Luxor Beige	-BL		
	991 555 203 04 DQW	Black/Carrera Red	-BA		
(1)	991 555 204 04	Door panel trim (leather)	right	1	PR:680,-625
	991 555 204 04 A11	Black	-AZ		
	991 555 204 04 9B0	Platinum Grey	-CZ		
	991 555 204 04 7J0	Luxor beige	-UZ		
	991 555 204 04 6A0	yachting blue	-EZ		
	991 555 204 04 OA1	agate grey	-DK		
	991 555 204 04 6J0	Espresso	-NE		
	991 555 204 04 N12	Carrera Red	-NG		
(1)	991 555 204 04	Door panel trim (leather) two-colour	right	1	PR:680,-625
	991 555 204 04 GEG	Black/Platinum Grey	-BR		
	991 555 204 04 GMG	Agate Grey/Pebble Grey	-BV		
	991 555 204 04 GRG	Espresso/Cognac	-BH		
	991 555 204 04 DTO	Black/Luxor Beige	-BL		
	991 555 204 04 DQW	Black/Carrera Red	-BA		
(1)	991 555 203 05	Door panel trim (leather)	left	1	PR:682,-625
	991 555 203 05 A11	Black	-AZ		
	991 555 203 05 9B0	Platinum Grey	-CZ		
	991 555 203 05 7J0	Luxor beige	-UZ		
	991 555 203 05 6A0	yachting blue	-EZ		
	991 555 203 05 OA1	agate grey	-DK		
	991 555 203 05 6J0	Espresso	-NE		
	991 555 203 05 N12	Carrera Red	-NG		
(1)	991 555 203 05	Door panel trim (leather) two-colour	left	1	PR:682,-625
	991 555 203 05 GEG	Black/Platinum Grey	-BR		
	991 555 203 05 GMG	Agate Grey/Pebble Grey	-BV		
	991 555 203 05 GRG	Espresso/Cognac	-BH		
	991 555 203 05 DTO	Black/Luxor Beige	-BL		
	991 555 203 05 DQW	Black/Carrera Red	-BA		
(1)	991 555 204 05	Door panel trim (leather)	right	1	PR:682,-625
	991 555 204 05 A11	Black	-AZ		
	991 555 204 05 9B0	Platinum Grey	-CZ		
	991 555 204 05 7J0	Luxor beige	-UZ		
	991 555 204 05 6A0	yachting blue	-EZ		
	991 555 204 05 OA1	agate grey	-DK		
	991 555 204 05 6J0	Espresso	-NE		
	991 555 204 05 N12	Carrera Red	-NG		
(1)	991 555 204 05	Door panel trim (leather) two-colour	right	1	PR:682,-625
	991 555 204 05 GEG	Black/Platinum Grey	-BR		
	991 555 204 05 GMG	Agate Grey/Pebble Grey	-BV		
	991 555 204 05 GRG	Espresso/Cognac	-BH		

Model: 991T13 Model life 2014>>

Pos	Part Number	Description	Remark	Qty	Model			
(1)	991 555 204 05 DTO	Black/Luxor Beige	-BL	1	PR:537,680, -625,098			
	991 555 204 05 DQW	Black/Carrera Red	-BA					
	991 555 203 10	Door panel trim (leather)	left lhd					
	991 555 203 10 A11	Black	-AZ					
	991 555 203 10 9B0	Platinum Grey	-CZ					
	991 555 203 10 7J0	Luxor beige	-UZ					
	991 555 203 10 6A0	yachting blue	-EZ					
	991 555 203 10 OA1	agate grey	-DK					
	991 555 203 10 6J0	Espresso	-NE					
	991 555 203 10 N12	Carrera Red	-NG					
(1)	991 555 203 10	Door panel trim (leather)	left lhd	1	PR:537,680, -625,098			
		two-colour						
	991 555 203 10 GEG	Black/Platinum Grey	-BR					
	991 555 203 10 GMG	Agate Grey/Pebble Grey	-BV					
	991 555 203 10 GRG	Espresso/Cognac	-BH					
	991 555 203 10 DTO	Black/Luxor Beige	-BL					
	991 555 203 10 DQW	Black/Carrera Red	-BA					
	(1)	991 555 204 10	Door panel trim (leather)			right rhd	1	PR:538,680, -625,099
		991 555 204 10 A11	Black			-AZ		
		991 555 204 10 9B0	Platinum Grey			-CZ		
991 555 204 10 7J0		Luxor beige	-UZ					
991 555 204 10 6A0		yachting blue	-EZ					
991 555 204 10 OA1		agate grey	-DK					
991 555 204 10 6J0		Espresso	-NE					
991 555 204 10 N12		Carrera Red	-NG					
(1)		991 555 204 10	Door panel trim (leather)	right rhd	1	PR:538,680, -625,099		
			two-colour					
	991 555 204 10 GEG	Black/Platinum Grey	-BR					
	991 555 204 10 GMG	Agate Grey/Pebble Grey	-BV					
	991 555 204 10 GRG	Espresso/Cognac	-BH					
	991 555 204 10 DTO	Black/Luxor Beige	-BL					
	991 555 204 10 DQW	Black/Carrera Red	-BA					
	(1)	991 555 203 11	Door panel trim (leather)	left lhd			1	PR:537,682, -625,098
		991 555 203 11 A11	Black	-AZ				
		991 555 203 11 9B0	Platinum Grey	-CZ				
991 555 203 11 7J0		Luxor beige	-UZ					
991 555 203 11 6A0		yachting blue	-EZ					
991 555 203 11 OA1		agate grey	-DK					
991 555 203 11 6J0		Espresso	-NE					
991 555 203 11 N12		Carrera Red	-NG					
(1)		991 555 203 11	Door panel trim (leather)	left lhd	1	PR:537,682, -625,098		
			two-colour					
	991 555 203 11 GEG	Black/Platinum Grey	-BR					
	991 555 203 11 GMG	Agate Grey/Pebble Grey	-BV					
	991 555 203 11 GRG	Espresso/Cognac	-BH					
	991 555 203 11 DTO	Black/Luxor Beige	-BL					
	991 555 203 11 DQW	Black/Carrera Red	-BA					
	(1)	991 555 204 11	Door panel trim (leather)	right rhd			1	PR:538,682, -625,099
		991 555 204 11 A11	Black	-AZ				
		991 555 204 11 9B0	Platinum Grey	-CZ				
991 555 204 11 7J0		Luxor beige	-UZ					
991 555 204 11 6A0		yachting blue	-EZ					
991 555 204 11 OA1		agate grey	-DK					
991 555 204 11 6J0		Espresso	-NE					
991 555 204 11 N12		Carrera Red	-NG					
(1)		991 555 204 11	Door panel trim (leather)	right rhd	1	PR:538,682, -625,099		
			two-colour					
	991 555 204 11 GEG	Black/Platinum Grey	-BR					
	991 555 204 11 GMG	Agate Grey/Pebble Grey	-BV					
	991 555 204 11 GRG	Espresso/Cognac	-BH					
	991 555 204 11 DTO	Black/Luxor Beige	-BL					
	991 555 204 11 DQW	Black/Carrera Red	-BA					

Model: 991T13 Model life 2014>>

Pos	Part Number	Description	Remark	Qty	Model
		two-colour			-625,099
	991 555 204 11 GEG	Black/Platinum Grey	-BR		
	991 555 204 11 GMG	Agate Grey/Pebble Grey	-BV		
	991 555 204 11 GRG	Espresso/Cognac	-BH		
	991 555 204 11 DTO	Black/Luxor Beige	-BL		
	991 555 204 11 DQW	Black/Carrera Red	-BA		
(1)	991 555 203 16	Door panel trim (leather)	left	1	PR:625,680
	991 555 203 16 A11	Black	-AZ		
	991 555 203 16 9B0	Platinum Grey	-CZ		
	991 555 203 16 7J0	Luxor beige	-UZ		
	991 555 203 16 6A0	yachting blue	-EZ		
	991 555 203 16 OA1	agate grey	-DK		
	991 555 203 16 6J0	Espresso	-NE		
	991 555 203 16 N12	Carrera Red	-NG		
(1)	991 555 203 16	Door panel trim (leather)	left	1	PR:625,680
		two-colour			
	991 555 203 16 GEG	Black/Platinum Grey	-BR		
	991 555 203 16 GMG	Agate Grey/Pebble Grey	-BV		
	991 555 203 16 GRG	Espresso/Cognac	-BH		
	991 555 203 16 DTO	Black/Luxor Beige	-BL		
	991 555 203 16 DQW	Black/Carrera Red	-BA		
(1)	991 555 204 16	Door panel trim (leather)	right	1	PR:625,680
	991 555 204 16 A11	Black	-AZ		
	991 555 204 16 9B0	Platinum Grey	-CZ		
	991 555 204 16 7J0	Luxor beige	-UZ		
	991 555 204 16 6A0	yachting blue	-EZ		
	991 555 204 16 OA1	agate grey	-DK		
	991 555 204 16 6J0	Espresso	-NE		
	991 555 204 16 N12	Carrera Red	-NG		
(1)	991 555 204 16	Door panel trim (leather)	right	1	PR:625,680
		two-colour			
	991 555 204 16 GEG	Black/Platinum Grey	-BR		
	991 555 204 16 GMG	Agate Grey/Pebble Grey	-BV		
	991 555 204 16 GRG	Espresso/Cognac	-BH		
	991 555 204 16 DTO	Black/Luxor Beige	-BL		
	991 555 204 16 DQW	Black/Carrera Red	-BA		
(1)	991 555 203 17	Door panel trim (leather)	left	1	PR:625,682
	991 555 203 17 A11	Black	-AZ		
	991 555 203 17 9B0	Platinum Grey	-CZ		
	991 555 203 17 7J0	Luxor beige	-UZ		
	991 555 203 17 6A0	yachting blue	-EZ		
	991 555 203 17 OA1	agate grey	-DK		
	991 555 203 17 6J0	Espresso	-NE		
	991 555 203 17 N12	Carrera Red	-NG		
(1)	991 555 203 17	Door panel trim (leather)	left	1	PR:625,682
		two-colour			
	991 555 203 17 GEG	Black/Platinum Grey	-BR		
	991 555 203 17 GMG	Agate Grey/Pebble Grey	-BV		
	991 555 203 17 GRG	Espresso/Cognac	-BH		
	991 555 203 17 DTO	Black/Luxor Beige	-BL		
	991 555 203 17 DQW	Black/Carrera Red	-BA		
(1)	991 555 204 17	Door panel trim (leather)	right	1	PR:625,682
	991 555 204 17 A11	Black	-AZ		
	991 555 204 17 9B0	Platinum Grey	-CZ		
	991 555 204 17 7J0	Luxor beige	-UZ		
	991 555 204 17 6A0	yachting blue	-EZ		
	991 555 204 17 OA1	agate grey	-DK		
	991 555 204 17 6J0	Espresso	-NE		
	991 555 204 17 N12	Carrera Red	-NG		
(1)	991 555 204 17	Door panel trim (leather)	right	1	PR:625,682
		two-colour			
	991 555 204 17 GEG	Black/Platinum Grey	-BR		

Model: 991T13

Model life 2014>>

Pos	Part Number	Description	Remark	Qty	Model
	991 555 204 17 GMG	Agate Grey/Pebble Grey	-BV		
	991 555 204 17 GRG	Espresso/Cognac	-BH		
	991 555 204 17 DTO	Black/Luxor Beige	-BL		
	991 555 204 17 DQW	Black/Carrera Red	-BA		
(1)	991 555 203 22	Door panel trim (leather)	left lhd	1	PR:537,625,680,098
	991 555 203 22 A11	Black	-AZ		
	991 555 203 22 9B0	Platinum Grey	-CZ		
	991 555 203 22 7J0	Luxor beige	-UZ		
	991 555 203 22 6A0	yachting blue	-EZ		
	991 555 203 22 OA1	agate grey	-DK		
	991 555 203 22 6J0	Espresso	-NE		
	991 555 203 22 N12	Carrera Red	-NG		
(1)	991 555 203 22	Door panel trim (leather)	left lhd	1	PR:537,625,680,098
		two-colour			
	991 555 203 22 GEG	Black/Platinum Grey	-BR		
	991 555 203 22 GMG	Agate Grey/Pebble Grey	-BV		
	991 555 203 22 GRG	Espresso/Cognac	-BH		
	991 555 203 22 DTO	Black/Luxor Beige	-BL		
	991 555 203 22 DQW	Black/Carrera Red	-BA		
(1)	991 555 204 22	Door panel trim (leather)	right rhd	1	PR:538,625,680,099
	991 555 204 22 A11	Black	-AZ		
	991 555 204 22 9B0	Platinum Grey	-CZ		
	991 555 204 22 7J0	Luxor beige	-UZ		
	991 555 204 22 6A0	yachting blue	-EZ		
	991 555 204 22 OA1	agate grey	-DK		
	991 555 204 22 6J0	Espresso	-NE		
	991 555 204 22 N12	Carrera Red	-NG		
(1)	991 555 204 22	Door panel trim (leather)	right rhd	1	PR:538,625,680,099
		two-colour			
	991 555 204 22 GEG	Black/Platinum Grey	-BR		
	991 555 204 22 GMG	Agate Grey/Pebble Grey	-BV		
	991 555 204 22 GRG	Espresso/Cognac	-BH		
	991 555 204 22 DTO	Black/Luxor Beige	-BL		
	991 555 204 22 DQW	Black/Carrera Red	-BA		
(1)	991 555 203 23	Door panel trim (leather)	left lhd	1	PR:537,625,682,098
	991 555 203 23 A11	Black	-AZ		
	991 555 203 23 9B0	Platinum Grey	-CZ		
	991 555 203 23 7J0	Luxor beige	-UZ		
	991 555 203 23 6A0	yachting blue	-EZ		
	991 555 203 23 OA1	agate grey	-DK		
	991 555 203 23 6J0	Espresso	-NE		
	991 555 203 23 N12	Carrera Red	-NG		
(1)	991 555 203 23	Door panel trim (leather)	left lhd	1	PR:537,625,682,098
		two-colour			
	991 555 203 23 GEG	Black/Platinum Grey	-BR		
	991 555 203 23 GMG	Agate Grey/Pebble Grey	-BV		
	991 555 203 23 GRG	Espresso/Cognac	-BH		
	991 555 203 23 DTO	Black/Luxor Beige	-BL		
	991 555 203 23 DQW	Black/Carrera Red	-BA		
(1)	991 555 204 23	Door panel trim (leather)	right rhd	1	PR:538,625,682,099
	991 555 204 23 A11	Black	-AZ		
	991 555 204 23 9B0	Platinum Grey	-CZ		
	991 555 204 23 7J0	Luxor beige	-UZ		
	991 555 204 23 6A0	yachting blue	-EZ		
	991 555 204 23 OA1	agate grey	-DK		
	991 555 204 23 6J0	Espresso	-NE		

Model: 991T13

Model life 2014>>

Pos	Part Number	Description	Remark	Qty	Model
(1)	991 555 204 23 N12	Carrera Red	-NG	1	PR:538,625, 682,099
	991 555 204 23	Door panel trim (leather)	right rhd		
		two-colour			
	991 555 204 23 GEG	Black/Platinum Grey	-BR		
	991 555 204 23 GMG	Agate Grey/Pebble Grey	-BV		
	991 555 204 23 GRG	Espresso/Cognac	-BH		
	991 555 204 23 DTO	Black/Luxor Beige	-BL		
	991 555 204 23 DQW	Black/Carrera Red	-BA		
2	999 507 533 02	Clamp		X	
		8,0 X 10,0 /2,5			
3	991 555 521 02	Inner actuator	left	1	
	991 555 521 02 V08	Galvano silver			
(3)	991 555 522 02	Inner actuator	right	1	
	991 555 522 02 V08	Galvano silver			
4	991 555 533 00	Pull handle	left	1	
		Leather			
	991 555 533 00 A11	Black	-AZ		
	991 555 533 00 9B0	Platinum Grey	-CZ, BR		
	991 555 533 00 7J0	Luxor beige	-UZ, BL		
	991 555 533 00 6A0	yachting blue	-EZ		
	991 555 533 00 OA1	agate grey	-DK		
	991 555 533 00 OD4	flint grey	-BV		
	991 555 533 00 N12	Carrera Red	-BA, BQ, NG		
	991 555 533 00 6J0	Espresso	-NE		
	991 555 533 00 7F0	Cognac	-BH		
(4)	991 555 534 00	Pull handle (leather)	right	1	
	991 555 534 00 A11	Black	-AZ		
	991 555 534 00 9B0	Platinum Grey	-CZ, BR		
	991 555 534 00 7J0	Luxor beige	-UZ, BL		
	991 555 534 00 6A0	yachting blue	-EZ		
	991 555 534 00 OA1	agate grey	-DK		
	991 555 534 00 OD4	flint grey	-BV		
	991 555 534 00 N12	Carrera Red	-BA, BQ, NG		
	991 555 534 00 6J0	Espresso	-NE		
	991 555 534 00 7F0	Cognac	-BH		
5	999 919 262 01	fillister hd. bolt		9	
		4,0 X 16,0			
6	970 632 135 00	Door warning light		2	
7	991 555 723 01	Mounting frame		1	
		Switch			
	991 555 723 01 1E0	Black			
8	991 555 721 02	Cover	left front	1	
		D - MJ 2015>>			
	991 555 721 02 5Q0	Black	-AZ, BR, BL, BA, BQ		
	991 555 721 02 4U0	Platinum Grey	-CZ		
	991 555 721 02 6W0	Luxor beige	-UZ		
	991 555 721 02 8Y0	yachting blue	-EZ		
	991 555 721 02 OA6	agate grey	-DK, BV		
	991 555 721 02 3T0	Espresso	-NE, BH		
	991 555 721 02 OE1	Carrera Red	-NG		
(8)	991 555 722 02	Cover	right front	1	
		D - MJ 2015>>			
	991 555 722 02 5Q0	Black	-AZ, BR, BL, BA, BQ		
	991 555 722 02 4U0	Platinum Grey	-CZ		
	991 555 722 02 6W0	Luxor beige	-UZ		
	991 555 722 02 8Y0	yachting blue	-EZ		
	991 555 722 02 OA6	agate grey	-DK, BV		
	991 555 722 02 3T0	Espresso	-NE, BH		

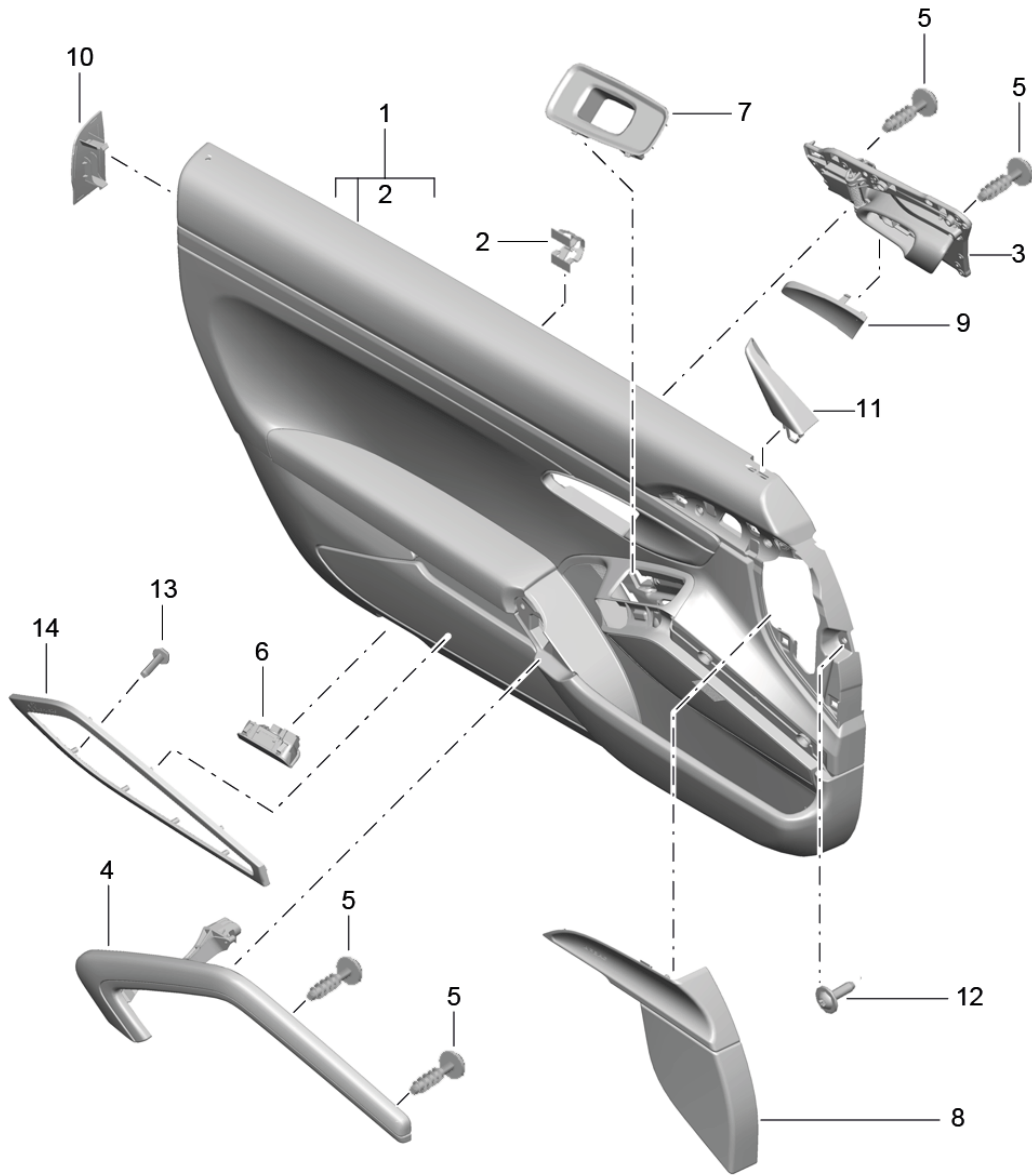
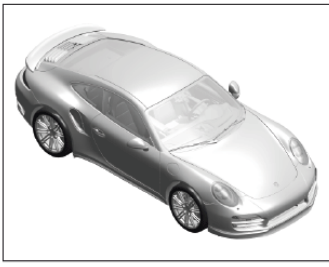
Model: 991T13 Model life 2014>>

Pos	Part Number	Description	Remark	Qty	Model
9	991 555 722 02 OE1 7PP 837 247	Carrera Red Cover panel Inner actuator	-NG left	1	
(9)	7PP 837 247 1E0 7PP 837 248	Black Cover panel Inner actuator	right	1	
(10)	7PP 837 248 1E0 991 555 683 01	Black cover for airbag D - MJ 2015>>	left	1	
	991 555 683 01 5Q0	Black	-AZ, BR, BL, BA, BQ		
	991 555 683 01 4U0	Platinum Grey	-CZ		
	991 555 683 01 6W0	Luxor beige	-UZ		
	991 555 683 01 8Y0	yachting blue	-EZ		
	991 555 683 01 OA6	agate grey	-DK, BV		
	991 555 683 01 3T0	Espresso	-NE, BH		
(10)	991 555 683 01 OE1 991 555 684 01	Carrera Red cover for airbag D - MJ 2015>>	-NG right	1	
	991 555 684 01 5Q0	Black	-AZ, BR, BL, BA, BQ		
	991 555 684 01 4U0	Platinum Grey	-CZ		
	991 555 684 01 6W0	Luxor beige	-UZ		
	991 555 684 01 8Y0	yachting blue	-EZ		
	991 555 684 01 OA6	agate grey	-DK, BV		
	991 555 684 01 3T0	Espresso	-NE, BH		
11	991 555 684 01 OE1 991 555 741 00	Carrera Red Cover panel window frame	-NG left	1	
(11)	991 555 741 00 1E0 991 555 742 00	Black Cover panel window frame	right	1	
	991 555 742 00 1E0	Black			
12	999 073 322 02	fillister hd. bolt M 6 X 20		8	
13	999 919 167 09	fillister hd. bolt M 3 X 10		10	PR:682
14	991 555 581 00	decorative frame Loudspeaker trim Burmester	left	1	PR:682
(14)	991 555 581 00 V08 991 555 582 00	Galvano silver decorative frame Loudspeaker trim Burmester	right	1	PR:682
	991 555 582 00 V08	Galvano silver			



Model: 991T13

Model life 2014>>



Model: 991T13 Model life 2014>>

Pos	Part Number	Description	Remark	Qty	Model
		door panel Accessories Trim Galvano silver 2nd GENERATION D - MJ 2017>>			PR:981,812
1	991 555 203 04	Door panel trim (leather)	left	1	PR:9VL,-625
	991 555 203 04 A11	Black	-AZ		
	991 555 203 04 OA1	agate grey	-FZ		
	991 555 203 04 OH7	Graphite Blue	-HZ		
	991 555 203 04 OK6	saddle brown	-SZ		
	991 555 203 04 7J0	Luxor beige	-UZ		
	991 555 203 04 OG6	Bordeaux red	-LZ		
	991 555 203 04 6J0	Espresso	-NE		
	991 555 203 04 JHB	Black/Dark Silver	-TD		
(1)	991 555 203 04	Door panel trim (leather) two-colour	left	1	PR:9VL,-625
	991 555 203 04 DTO	Black/Luxor Beige	-BT		
	991 555 203 04 GUG	Black/Bordeaux Red	-BM		
	991 555 203 04 GTG	Graphite Blue/Chalk	-BG,TG		
	991 555 203 04 GRG	Espresso/Cognac	-BY		
(1)	991 555 204 04	Door panel trim (leather)	right	1	PR:9VL,-625
	991 555 204 04 A11	Black	-AZ		
	991 555 204 04 OA1	agate grey	-FZ		
	991 555 204 04 OH7	Graphite Blue	-HZ		
	991 555 204 04 OK6	saddle brown	-SZ		
	991 555 204 04 7J0	Luxor beige	-UZ		
	991 555 204 04 OG6	Bordeaux red	-LZ		
	991 555 204 04 6J0	Espresso	-NE		
	991 555 204 04 JHB	Black/Dark Silver	-TD		
(1)	991 555 204 04	Door panel trim (leather) two-colour	right	1	PR:9VL,-625
	991 555 204 04 DTO	Black/Luxor Beige	-BT		
	991 555 204 04 GUG	Black/Bordeaux Red	-BM		
	991 555 204 04 GTG	Graphite Blue/Chalk	-BG,TG		
	991 555 204 04 GRG	Espresso/Cognac	-BY		
(1)	991 555 203 05	Door panel trim (leather)	left	1	PR:9VJ,-625
	991 555 203 05 A11	Black	-AZ		
	991 555 203 05 OA1	agate grey	-FZ		
	991 555 203 05 OH7	Black	-HZ		
	991 555 203 05 OK6	saddle brown	-SZ		
	991 555 203 05 7J0	Luxor beige	-UZ		
	991 555 203 05 OG6	Bordeaux red	-LZ		
	991 555 203 05 6J0	Espresso	-NE		
	991 555 203 05 JHB	Black/Dark Silver	-TD		
(1)	991 555 203 05	Door panel trim (leather) two-colour	left	1	PR:9VJ,-625
	991 555 203 05 DTO	Black/Luxor Beige	-BT		
	991 555 203 05 GUG	Black/Bordeaux Red	-BM		
	991 555 203 05 GTG	Graphite Blue/Chalk	-BG,TG		
	991 555 203 05 GRG	Espresso/Cognac	-BY		
(1)	991 555 204 05	Door panel trim (leather)	right	1	PR:9VJ,-625
	991 555 204 05 A11	Black	-AZ		
	991 555 204 05 OA1	agate grey	-FZ		
	991 555 204 05 OH7	Black	-HZ		
	991 555 204 05 OK6	saddle brown	-SZ		
	991 555 204 05 7J0	Luxor beige	-UZ		
	991 555 204 05 OG6	Bordeaux red	-LZ		
	991 555 204 05 6J0	Espresso	-NE		
	991 555 204 05 JHB	Black/Dark Silver	-TD		
(1)	991 555 204 05	Door panel trim (leather) two-colour	right	1	PR:9VJ,-625
	991 555 204 05 DTO	Black/Luxor Beige	-BT		

Model: 991T13 Model life 2014>>

Pos	Part Number	Description	Remark	Qty	Model
(1)	991 555 204 05 GUG	Black/Bordeaux Red	-BM	1	PR:537,9VL, -625,098
	991 555 204 05 GTG	Graphite Blue/Chalk	-BG,TG		
	991 555 204 05 GRG	Espresso/Cognac	-BY		
	991 555 203 10	Door panel trim (leather)	left lhd		
	991 555 203 10 A11	Black	-AZ		
	991 555 203 10 OA1	agate grey	-FZ		
	991 555 203 10 OH7	Graphite Blue	-HZ		
	991 555 203 10 OK6	saddle brown	-SZ		
	991 555 203 10 7J0	Luxor beige	-UZ		
	991 555 203 10 OG6	Bordeaux red	-LZ		
(1)	991 555 203 10 6J0	Espresso	-NE	1	PR:537,9VL, -625,098
	991 555 203 10 JHB	Black/Dark Silver	-TD		
	991 555 203 10	Door panel trim (leather)	left lhd		
		two-colour			
	991 555 203 10 DTO	Black/Luxor Beige	-BT		
	991 555 203 10 GUG	Black/Bordeaux Red	-BM		
	991 555 203 10 GTG	Graphite Blue/Chalk	-BG,TG		
	991 555 203 10 GRG	Espresso/Cognac	-BY		
	991 555 204 10	Door panel trim (leather)	right rhd		
	(1)	991 555 204 10 A11	Black		
991 555 204 10 OA1		agate grey	-FZ		
991 555 204 10 OH7		Graphite Blue	-HZ		
991 555 204 10 OK6		saddle brown	-SZ		
991 555 204 10 7J0		Luxor beige	-UZ		
991 555 204 10 OG6		Bordeaux red	-LZ		
991 555 204 10 6J0		Espresso	-NE		
991 555 204 10 JHB		Black/Dark Silver	-TD		
991 555 204 10		Door panel trim (leather)	right rhd		
		two-colour			
(1)	991 555 204 10 DTO	Black/Luxor Beige	-BT	1	PR:537,9VJ, -625,098
	991 555 204 10 GUG	Black/Bordeaux Red	-BM		
	991 555 204 10 GTG	Graphite Blue/Chalk	-BG,TG		
	991 555 204 10 GRG	Espresso/Cognac	-BY		
	991 555 203 11	Door panel trim (leather)	left lhd		
	991 555 203 11 A11	Black	-AZ		
	991 555 203 11 OA1	agate grey	-FZ		
	991 555 203 11 OH7	Graphite Blue	-HZ		
	991 555 203 11 OK6	saddle brown	-SZ		
	991 555 203 11 7J0	Luxor beige	-UZ		
(1)	991 555 203 11 OG6	Bordeaux red	-LZ	1	PR:537,9VJ, -625,098
	991 555 203 11 6J0	Espresso	-NE		
	991 555 203 11 JHB	Black/Dark Silver	-TD		
	991 555 203 11	Door panel trim (leather)	left lhd		
		two-colour			
	991 555 203 11 DTO	Black/Luxor Beige	-BT		
	991 555 203 11 GUG	Black/Bordeaux Red	-BM		
	991 555 203 11 GTG	Graphite Blue/Chalk	-BG,TG		
	991 555 203 11 GRG	Espresso/Cognac	-BY		
	991 555 204 11	Door panel trim (leather)	right rhd		
(1)	991 555 204 11 A11	Black	-AZ	1	PR:538,9VJ, -625,099
	991 555 204 11 OA1	agate grey	-FZ		
	991 555 204 11 OH7	Graphite Blue	-HZ		
	991 555 204 11 OK6	saddle brown	-SZ		
	991 555 204 11 7J0	Luxor beige	-UZ		
	991 555 204 11 OG6	Bordeaux red	-LZ		
	991 555 204 11 6J0	Espresso	-NE		

Model: 991T13

Model life 2014>>

Pos	Part Number	Description	Remark	Qty	Model
(1)	991 555 204 11 JHB	Black/Dark Silver	-TD		
	991 555 204 11	Door panel trim (leather)	right rhd	1	PR:538,9VJ, -625,099
		two-colour			
	991 555 204 11 DTO	Black/Luxor Beige	-BT		
	991 555 204 11 GUG	Black/Bordeaux Red	-BM		
	991 555 204 11 GTG	Graphite Blue/Chalk	-BG,TG		
	991 555 204 11 GRG	Espresso/Cognac	-BY		
(1)	991 555 203 16	Door panel trim (leather)	left	1	PR:625,9VL
	991 555 203 16 A11	Black	-AZ		
	991 555 203 16 OA1	agate grey	-FZ		
	991 555 203 16 OH7	Graphite Blue	-HZ		
	991 555 203 16 OK6	saddle brown	-SZ		
	991 555 203 16 7J0	Luxor beige	-UZ		
	991 555 203 16 OG6	Bordeaux red	-LZ		
	991 555 203 16 6J0	Espresso	-NE		
(1)	991 555 203 16 JHB	Black/Dark Silver	-TD		
	991 555 203 16	Door panel trim (leather)	left	1	PR:625,9VL
		two-colour			
	991 555 203 16 DTO	Black/Luxor Beige	-BT		
	991 555 203 16 GUG	Black/Bordeaux Red	-BM		
	991 555 203 16 GTG	Graphite Blue/Chalk	-BG,TG		
	991 555 203 16 GRG	Espresso/Cognac	-BY		
(1)	991 555 204 16	Door panel trim (leather)	right	1	PR:625,9VL
	991 555 204 16 A11	Black	-AZ		
	991 555 204 16 OA1	agate grey	-FZ		
	991 555 204 16 OH7	Graphite Blue	-HZ		
	991 555 204 16 OK6	saddle brown	-SZ		
	991 555 204 16 7J0	Luxor beige	-UZ		
	991 555 204 16 OG6	Bordeaux red	-LZ		
	991 555 204 16 6J0	Espresso	-NE		
(1)	991 555 204 16 JHB	Black/Dark Silver	-TD		
	991 555 204 16	Door panel trim (leather)	right	1	PR:625,9VL
		two-colour			
	991 555 204 16 DTO	Black/Luxor Beige	-BT		
	991 555 204 16 GUG	Black/Bordeaux Red	-BM		
	991 555 204 16 GTG	Graphite Blue/Chalk	-BG,TG		
	991 555 204 16 GRG	Espresso/Cognac	-BY		
(1)	991 555 203 17	Door panel trim (leather)	left	1	PR:625,9VJ
	991 555 203 17 A11	Black	-AZ		
	991 555 203 17 OA1	agate grey	-FZ		
	991 555 203 17 OH7	Graphite Blue	-HZ		
	991 555 203 17 OK6	saddle brown	-SZ		
	991 555 203 17 7J0	Luxor beige	-UZ		
	991 555 203 17 OG6	Bordeaux red	-LZ		
	991 555 203 17 6J0	Espresso	-NE		
(1)	991 555 203 17 JHB	Black/Dark Silver	-TD		
	991 555 203 17	Door panel trim (leather)	left	1	PR:625,9VJ
		two-colour			
	991 555 203 17 DTO	Black/Luxor Beige	-BT		
	991 555 203 17 GUG	Black/Bordeaux Red	-BM		
	991 555 203 17 GTG	Graphite Blue/Chalk	-BG,TG		
	991 555 203 17 GRG	Espresso/Cognac	-BY		
(1)	991 555 204 17	Door panel trim (leather)	right	1	PR:625,9VJ
	991 555 204 17 A11	Black	-AZ		
	991 555 204 17 OA1	agate grey	-FZ		
	991 555 204 17 OH7	Graphite Blue	-HZ		
	991 555 204 17 OK6	saddle brown	-SZ		
	991 555 204 17 7J0	Luxor beige	-UZ		
	991 555 204 17 OG6	Bordeaux red	-LZ		
	991 555 204 17 6J0	Espresso	-NE		
(1)	991 555 204 17 JHB	Black/Dark Silver	-TD		
	991 555 204 17	Door panel trim (leather)	right	1	PR:625,9VJ

Model: 991T13 Model life 2014>>

Pos	Part Number	Description	Remark	Qty	Model
		two-colour			
	991 555 204 17 DTO	Black/Luxor Beige	-BT		
	991 555 204 17 GUG	Black/Bordeaux Red	-BM		
	991 555 204 17 GTG	Graphite Blue/Chalk	-BG, TG		
	991 555 204 17 GRG	Espresso/Cognac	-BY		
(1)	991 555 203 22	Door panel trim (leather)	left lhd	1	PR:537,625,9VL,098
	991 555 203 22 A11	Black	-AZ		
	991 555 203 22 OA1	agate grey	-FZ		
	991 555 203 22 OH7	Graphite Blue	-HZ		
	991 555 203 22 OK6	saddle brown	-SZ		
	991 555 203 22 7J0	Luxor beige	-UZ		
	991 555 203 22 OG6	Bordeaux red	-LZ		
	991 555 203 22 6J0	Espresso	-NE		
	991 555 203 22 JHB	Black/Dark Silver	-TD		
(1)	991 555 203 22	Door panel trim (leather)	left lhd	1	PR:537,625,9VL,098
		two-colour			
	991 555 203 22 DTO	Black/Luxor Beige	-BT		
	991 555 203 22 GUG	Black/Bordeaux Red	-BM		
	991 555 203 22 GTG	Graphite Blue/Chalk	-BG, TG		
	991 555 203 22 GRG	Espresso/Cognac	-BY		
(1)	991 555 204 22	Door panel trim (leather)	right rhd	1	PR:538,625,9VL,099
	991 555 204 22 A11	Black	-AZ		
	991 555 204 22 OA1	agate grey	-FZ		
	991 555 204 22 OH7	Graphite Blue	-HZ		
	991 555 204 22 OK6	saddle brown	-SZ		
	991 555 204 22 7J0	Luxor beige	-UZ		
	991 555 204 22 OG6	Bordeaux red	-LZ		
	991 555 204 22 6J0	Espresso	-NE		
	991 555 204 22 JHB	Black/Dark Silver	-TD		
(1)	991 555 204 22	Door panel trim (leather)	right rhd	1	PR:538,625,9VL,099
		two-colour			
	991 555 204 22 DTO	Black/Luxor Beige	-BT		
	991 555 204 22 GUG	Black/Bordeaux Red	-BM		
	991 555 204 22 GTG	Graphite Blue/Chalk	-BG, TG		
	991 555 204 22 GRG	Espresso/Cognac	-BY		
(1)	991 555 203 23	Door panel trim (leather)	left lhd	1	PR:537,625,9VJ,098
	991 555 203 23 A11	Black	-AZ		
	991 555 203 23 OA1	agate grey	-FZ		
	991 555 203 23 OH7	Graphite Blue	-HZ		
	991 555 203 23 OK6	saddle brown	-SZ		
	991 555 203 23 7J0	Luxor beige	-UZ		
	991 555 203 23 OG6	Bordeaux red	-LZ		
	991 555 203 23 6J0	Espresso	-NE		
	991 555 203 23 JHB	Black/Dark Silver	-TD		
(1)	991 555 203 23	Door panel trim (leather)	left lhd	1	PR:537,625,9VJ,098
		two-colour			
	991 555 203 23 DTO	Black/Luxor Beige	-BT		
	991 555 203 23 GUG	Black/Bordeaux Red	-BM		
	991 555 203 23 GTG	Graphite Blue/Chalk	-BG, TG		
	991 555 203 23 GRG	Espresso/Cognac	-BY		
(1)	991 555 204 23	Door panel trim (leather)	right rhd	1	PR:538,625,9VJ,099
	991 555 204 23 A11	Black	-AZ		
	991 555 204 23 OA1	agate grey	-FZ		
	991 555 204 23 OH7	Graphite Blue	-HZ		
	991 555 204 23 OK6	saddle brown	-SZ		
	991 555 204 23 7J0	Luxor beige	-UZ		

Model: 991T13

Model life 2014>>

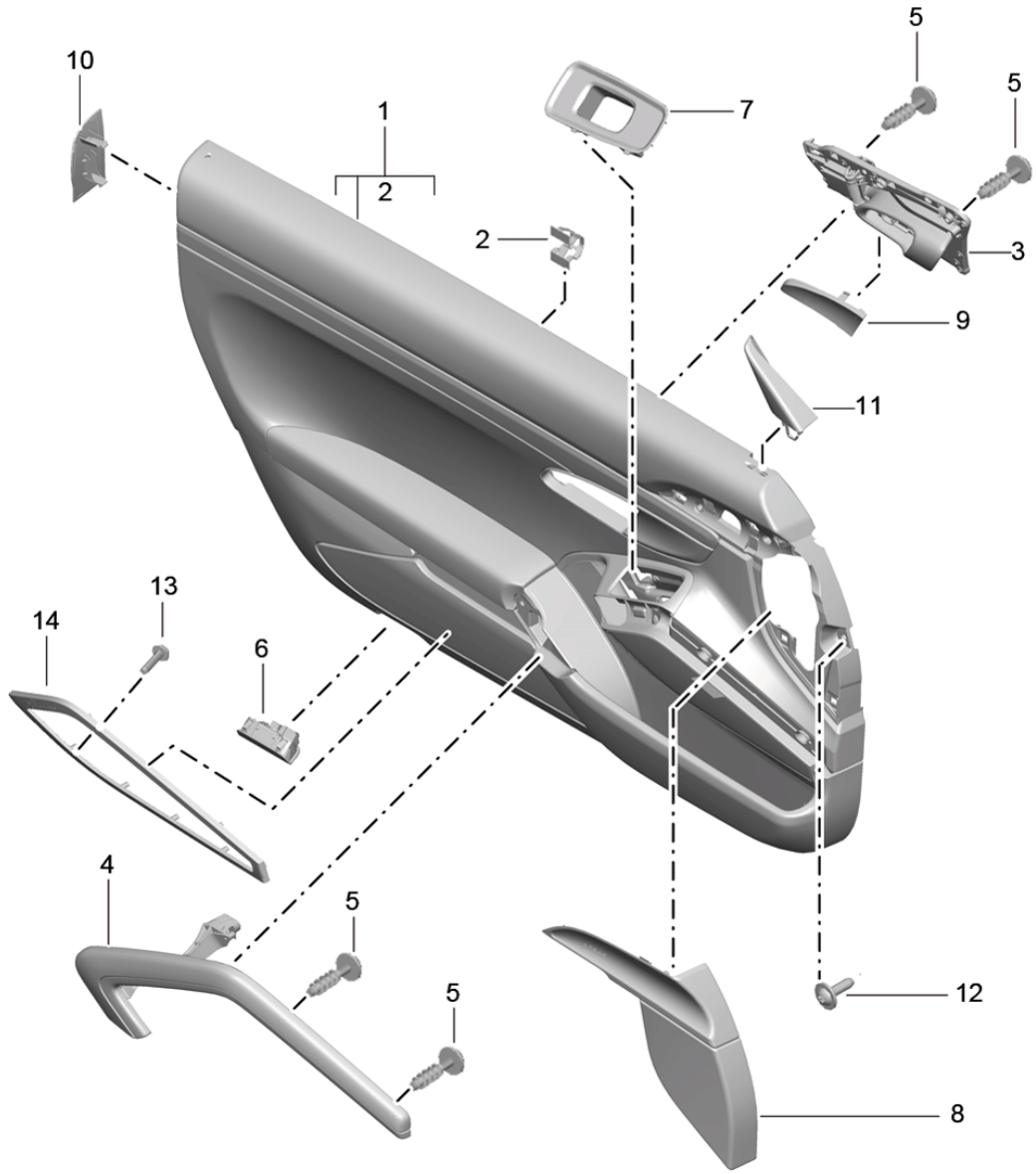
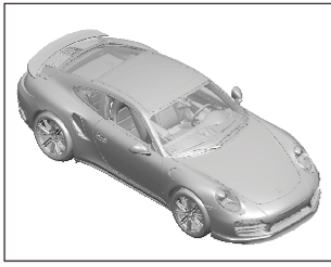
Pos	Part Number	Description	Remark	Qty	Model
(1)	991 555 204 23 OG6	Bordeaux red	-LZ	1	PR:538,625, 9VJ,099
	991 555 204 23 6J0	Espresso	-NE		
	991 555 204 23 JHB	Black/Dark Silver	-TD		
	991 555 204 23	Door panel trim (leather)	right rhd		
		two-colour			
	991 555 204 23 DTO	Black/Luxor Beige	-BT		
	991 555 204 23 GUG	Black/Bordeaux Red	-BM		
	991 555 204 23 GTG	Graphite Blue/Chalk	-BG,TG		
	991 555 204 23 GRG	Espresso/Cognac	-BY		
	2	999 507 533 02	Clamp 8,0 X 10,0 /2,5		
3	991 555 521 02	Inner actuator	left	1	
	991 555 521 02 V08	Galvano silver			
(3)	991 555 522 02	Inner actuator	right	1	
	991 555 522 02 V08	Galvano silver			
4	991 555 533 00	Pull handle Leather	left	1	
	991 555 533 00 A11	Black	-AZ		
	991 555 533 00 OA1	agate grey	-FZ		
	991 555 533 00 OH7	Graphite Blue	-HZ		
	991 555 533 00 OK6	saddle brown	-SZ		
	991 555 533 00 7J0	Luxor beige	-UZ,BT		
	991 555 533 00 OG6	Bordeaux red	-LZ,BM		
	991 555 533 00 OL8	Chalk	-BG,TG		
	991 555 533 00 6J0	Espresso	-NE		
	991 555 533 00 7F0	Cognac	-BY		
(4)	991 555 533 00 JHB	Black/Dark Silver	-TD	1	
	991 555 534 00	Pull handle (leather)	right		
	991 555 534 00 A11	Black	-AZ		
	991 555 534 00 OA1	agate grey	-FZ		
	991 555 534 00 OH7	Graphite Blue	-HZ		
	991 555 534 00 OK6	saddle brown	-SZ		
	991 555 534 00 7J0	Luxor beige	-UZ,BT		
	991 555 534 00 OG6	Bordeaux red	-LZ,BM		
	991 555 534 00 OL8	Chalk	-BG,TG		
	991 555 534 00 6J0	Espresso	-NE		
	991 555 534 00 7F0	Cognac	-BY		
	991 555 534 00 JHB	Black/Dark Silver	-TD		
5	999 919 262 01	fillister hd. bolt 4,0 X 16,0		9	
6	970 632 135 00	Door warning light		2	
7	991 555 723 01	Mounting frame		1	
		Switch			
8	991 555 723 01 1E0	Black		1	
	991 555 721 02	Cover	left front		
	991 555 721 02 5Q0	Black	-AZ,BT,BM,TD		
	991 555 721 02 OA6	agate grey	-FZ		
	991 555 721 02 OH7	Graphite Blue	-HZ,BG,TG		
	991 555 721 02 OL7	saddle brown	-SZ		
	991 555 721 02 6W0	Luxor beige	-UZ		
	991 555 721 02 OG6	Bordeaux red	-LZ		
	991 555 721 02 3T0	Espresso	-NE,BY		
(8)	991 555 722 02	Cover	right front	1	
	991 555 722 02 5Q0	Black	-AZ,BT,BM,TD		
	991 555 722 02 OA6	agate grey	-FZ		
	991 555 722 02 OH7	Graphite Blue	-HZ,BG,TG		
	991 555 722 02 OL7	saddle brown	-SZ		
	991 555 722 02 6W0	Luxor beige	-UZ		
	991 555 722 02 OG6	Bordeaux red	-LZ		
	991 555 722 02 3T0	Espresso	-NE,BY		

Model: 991T13 Model life 2014>>

Pos	Part Number	Description	Remark	Qty	Model
9	7PP 837 247	Cover panel Inner actuator	left	1	
(9)	7PP 837 247 1E0 7PP 837 248	Black Cover panel Inner actuator	right	1	
10	7PP 837 248 1E0 991 555 683 01 991 555 683 01 5Q0 991 555 683 01 OA6 991 555 683 01 OH7 991 555 683 01 OL7 991 555 683 01 6W0 991 555 683 01 OG6 991 555 683 01 3T0	Black cover for airbag Black agate grey Graphite Blue saddle brown Luxor beige Bordeaux red Espresso	left -AZ,BT,BM,TD -FZ -HZ,BG,TG -SZ -UZ -LZ -NE,BY	1	
(10)	991 555 684 01 991 555 684 01 5Q0 991 555 684 01 OA6 991 555 684 01 OH7 991 555 684 01 OL7 991 555 684 01 6W0 991 555 684 01 OG6 991 555 684 01 3T0	cover for airbag Black agate grey Graphite Blue saddle brown Luxor beige Bordeaux red Espresso	right -AZ,BT,BM,TD -FZ -HZ,BG,TG -SZ -UZ -LZ -NE,BY	1	
11	991 555 741 00 991 555 741 00 1E0	Cover panel window frame Black	left	1	
(11)	991 555 742 00 991 555 742 00 1E0	Cover panel window frame Black	right	1	
12	999 073 322 02	fillister hd. bolt M 6 X 20		8	
13	999 919 167 09	fillister hd. bolt M 3 X 10		10	PR:9VJ
14	991 555 581 00 991 555 581 00 V08	decorative frame Loudspeaker trim Burmester Galvano silver	left	1	PR:9VJ
(14)	991 555 582 00 991 555 582 00 V08	decorative frame Loudspeaker trim Burmester Galvano silver	right	1	PR:9VJ

Model: 991T13

Model life 2014>>





Model: 991T13 Model life 2014>>

Pos	Part Number	Description	Remark	Qty	Model
		door panel Accessories Trim Leather D >> - MJ 2016			PR:XWA
1	991 555 913 07	Door panel trim (leather)	left lhd	1	PR:XWA,098, 680,981, -537,-625
	991 555 913 07 A11	Black	-AZ		
	991 555 913 07 9B0	Platinum Grey	-CZ		
	991 555 913 07 7J0	Luxor beige	-UZ		
	991 555 913 07 6A0	yachting blue	-EZ		
	991 555 913 07 OA1	agate grey	-DK		
	991 555 913 07 6J0	Espresso	-NE		
	991 555 913 07 N12	Carrera Red two-colour	-NG		
	991 555 913 07 GEG	Black/Platinum Grey	-BR		
	991 555 913 07 GMG	Agate Grey/Pebble Grey	-BV		
	991 555 913 07 GRG	Espresso/Cognac	-BH		
	991 555 913 07 DTO	Black/Luxor Beige	-BL		
(1)	991 555 913 07 DQW	Black/Carrera Red	-BA,BQ		
	991 555 913 07	Door panel trim (leather)	left rhd	1	PR:XWA,099, 680,981,-625
	991 555 913 07 A11	Black	-AZ		
	991 555 913 07 9B0	Platinum Grey	-CZ		
	991 555 913 07 7J0	Luxor beige	-UZ		
	991 555 913 07 6A0	yachting blue	-EZ		
	991 555 913 07 OA1	agate grey	-DK		
	991 555 913 07 6J0	Espresso	-NE		
	991 555 913 07 N12	Carrera Red two-colour	-NG		
	991 555 913 07 GEG	Black/Platinum Grey	-BR		
	991 555 913 07 GMG	Agate Grey/Pebble Grey	-BV		
	991 555 913 07 GRG	Espresso/Cognac	-BH		
	991 555 913 07 DTO	Black/Luxor Beige	-BL		
(1)	991 555 913 07 DQW	Black/Carrera Red	-BA,BQ		
	991 555 914 07	Door panel trim (leather)	right	1	PR:XWA,680, 981,-538, -625
	991 555 914 07 A11	Black	-AZ		
	991 555 914 07 9B0	Platinum Grey	-CZ		
	991 555 914 07 7J0	Luxor beige	-UZ		
	991 555 914 07 6A0	yachting blue	-EZ		
	991 555 914 07 OA1	agate grey	-DK		
	991 555 914 07 6J0	Espresso	-NE		
	991 555 914 07 N12	Carrera Red two-colour	-NG		
	991 555 914 07 GEG	Black/Platinum Grey	-BR		
	991 555 914 07 GMG	Agate Grey/Pebble Grey	-BV		
	991 555 914 07 GRG	Espresso/Cognac	-BH		
	991 555 914 07 DTO	Black/Luxor Beige	-BL		
	991 555 914 07 DQW	Black/Carrera Red	-BA,BQ		
(1)	991 555 913 08	Door panel trim (leather)	left lhd	1	PR:XWA,098, 682,981, -537,-625
	991 555 913 08 A11	Black	-AZ		
	991 555 913 08 9B0	Platinum Grey	-CZ		
	991 555 913 08 7J0	Luxor beige	-UZ		
	991 555 913 08 6A0	yachting blue	-EZ		
	991 555 913 08 OA1	agate grey	-DK		
	991 555 913 08 6J0	Espresso	-NE		
	991 555 913 08 N12	Carrera Red two-colour	-NG		

Model: 991T13 Model life 2014>>

Pos	Part Number	Description	Remark	Qty	Model
	991 555 913 08 GEG	Black/Platinum Grey	-BR		
	991 555 913 08 GMG	Agate Grey/Pebble Grey	-BV		
	991 555 913 08 GRG	Espresso/Cognac	-BH		
	991 555 913 08 DTO	Black/Luxor Beige	-BL		
	991 555 913 08 DQW	Black/Carrera Red	-BA,BQ		
(1)	991 555 913 08	Door panel trim (leather)	left rhd	1	PR:XWA,099, 682,981,-625
	991 555 913 08 A11	Black	-AZ		
	991 555 913 08 9B0	Platinum Grey	-CZ		
	991 555 913 08 7J0	Luxor beige	-UZ		
	991 555 913 08 6A0	yachting blue	-EZ		
	991 555 913 08 OA1	agate grey	-DK		
	991 555 913 08 6J0	Espresso	-NE		
	991 555 913 08 N12	Carrera Red	-NG		
		two-colour			
	991 555 913 08 GEG	Black/Platinum Grey	-BR		
	991 555 913 08 GMG	Agate Grey/Pebble Grey	-BV		
	991 555 913 08 GRG	Espresso/Cognac	-BH		
	991 555 913 08 DTO	Black/Luxor Beige	-BL		
	991 555 913 08 DQW	Black/Carrera Red	-BA,BQ		
(1)	991 555 914 08	Door panel trim (leather)	right	1	PR:XWA,682, 981,-538, -625
	991 555 914 08 A11	Black	-AZ		
	991 555 914 08 9B0	Platinum Grey	-CZ		
	991 555 914 08 7J0	Luxor beige	-UZ		
	991 555 914 08 6A0	yachting blue	-EZ		
	991 555 914 08 OA1	agate grey	-DK		
	991 555 914 08 6J0	Espresso	-NE		
	991 555 914 08 N12	Carrera Red	-NG		
		two-colour			
	991 555 914 08 GEG	Black/Platinum Grey	-BR		
	991 555 914 08 GMG	Agate Grey/Pebble Grey	-BV		
	991 555 914 08 GRG	Espresso/Cognac	-BH		
	991 555 914 08 DTO	Black/Luxor Beige	-BL		
	991 555 914 08 DQW	Black/Carrera Red	-BA,BQ		
(1)	991 555 913 10	Door panel trim (leather)	left lhd	1	PR:XWA,098, 537,680,981, -625
	991 555 913 10 A11	Black	-AZ		
	991 555 913 10 9B0	Platinum Grey	-CZ		
	991 555 913 10 7J0	Luxor beige	-UZ		
	991 555 913 10 6A0	yachting blue	-EZ		
	991 555 913 10 OA1	agate grey	-DK		
	991 555 913 10 6J0	Espresso	-NE		
	991 555 913 10 N12	Carrera Red	-NG		
		two-colour			
	991 555 913 10 GEG	Black/Platinum Grey	-BR		
	991 555 913 10 GMG	Agate Grey/Pebble Grey	-BV		
	991 555 913 10 GRG	Espresso/Cognac	-BH		
	991 555 913 10 DTO	Black/Luxor Beige	-BL		
	991 555 913 10 DQW	Black/Carrera Red	-BA,BQ		
(1)	991 555 914 10	Door panel trim (leather)	right	1	PR:XWA,538, 680,981,-625
	991 555 914 10 A11	Black	-AZ		
	991 555 914 10 9B0	Platinum Grey	-CZ		
	991 555 914 10 7J0	Luxor beige	-UZ		
	991 555 914 10 6A0	yachting blue	-EZ		
	991 555 914 10 OA1	agate grey	-DK		
	991 555 914 10 6J0	Espresso	-NE		
	991 555 914 10 N12	Carrera Red	-NG		
		two-colour			
	991 555 914 10 GEG	Black/Platinum Grey	-BR		

Model: 991T13 Model life 2014>>

Pos	Part Number	Description	Remark	Qty	Model
(1)	991 555 914 10 GMG	Agate Grey/Pebble Grey	-BV	1	PR:XWA,098, 537,682,981, -625
	991 555 914 10 GRG	Espresso/Cognac	-BH		
	991 555 914 10 DTO	Black/Luxor Beige	-BL		
	991 555 914 10 DQW	Black/Carrera Red	-BA,BQ		
	991 555 913 11	Door panel trim (leather)	left lhd		
	991 555 913 11 A11	Black	-AZ		
	991 555 913 11 9B0	Platinum Grey	-CZ		
	991 555 913 11 7J0	Luxor beige	-UZ		
	991 555 913 11 6A0	yachting blue	-EZ		
	991 555 913 11 OA1	agate grey	-DK		
	991 555 913 11 6J0	Espresso	-NE		
	991 555 913 11 N12	Carrera Red two-colour	-NG		
(1)	991 555 913 11 GEG	Black/Platinum Grey	-BR	1	PR:XWA,538, 682,981,-625
	991 555 913 11 GMG	Agate Grey/Pebble Grey	-BV		
	991 555 913 11 GRG	Espresso/Cognac	-BH		
	991 555 913 11 DTO	Black/Luxor Beige	-BL		
	991 555 913 11 DQW	Black/Carrera Red	-BA,BQ		
	991 555 914 11	Door panel trim (leather)	right		
	991 555 914 11 A11	Black	-AZ		
	991 555 914 11 9B0	Platinum Grey	-CZ		
	991 555 914 11 7J0	Luxor beige	-UZ		
	991 555 914 11 6A0	yachting blue	-EZ		
	991 555 914 11 OA1	agate grey	-DK		
	991 555 914 11 6J0	Espresso	-NE		
(1)	991 555 914 11 N12	Carrera Red two-colour	-NG	1	PR:XWA,098, 625,680,981, -537
	991 555 914 11 GEG	Black/Platinum Grey	-BR		
	991 555 914 11 GMG	Agate Grey/Pebble Grey	-BV		
	991 555 914 11 GRG	Espresso/Cognac	-BH		
	991 555 914 11 DTO	Black/Luxor Beige	-BL		
	991 555 914 11 DQW	Black/Carrera Red	-BA,BQ		
	991 555 913 37	Door panel trim (leather)	left lhd		
	991 555 913 37 A11	Black	-AZ		
	991 555 913 37 9B0	Platinum Grey	-CZ		
	991 555 913 37 7J0	Luxor beige	-UZ		
	991 555 913 37 6A0	yachting blue	-EZ		
	991 555 913 37 OA1	agate grey	-DK		
991 555 913 37 6J0	Espresso	-NE			
(1)	991 555 913 37 N12	Carrera Red two-colour	-NG	1	PR:XWA,099, 625,680,981
	991 555 913 37 GEG	Black/Platinum Grey	-BR		
	991 555 913 37 GMG	Agate Grey/Pebble Grey	-BV		
	991 555 913 37 GRG	Espresso/Cognac	-BH		
	991 555 913 37 DTO	Black/Luxor Beige	-BL		
	991 555 913 37 DQW	Black/Carrera Red	-BA,BQ		
	991 555 913 37	Door panel trim (leather)	left rhd		
	991 555 913 37 A11	Black	-AZ		
	991 555 913 37 9B0	Platinum Grey	-CZ		
	991 555 913 37 7J0	Luxor beige	-UZ		
	991 555 913 37 6A0	yachting blue	-EZ		
	991 555 913 37 OA1	agate grey	-DK		
991 555 913 37 6J0	Espresso	-NE			
991 555 913 37 N12	Carrera Red two-colour	-NG			
991 555 913 37 GEG	Black/Platinum Grey	-BR			
991 555 913 37 GMG	Agate Grey/Pebble Grey	-BV			

Model: 991T13 Model life 2014>>

Pos	Part Number	Description	Remark	Qty	Model
(1)	991 555 913 37 GRG	Espresso/Cognac	-BH	1	PR:XWA,625, 680,981,-538
	991 555 913 37 DTO	Black/Luxor Beige	-BL		
	991 555 913 37 DQW	Black/Carrera Red	-BA,BQ		
	991 555 914 37	Door panel trim (leather)	right		
	991 555 914 37 A11	Black	-AZ		
	991 555 914 37 9B0	Platinum Grey	-CZ		
	991 555 914 37 7J0	Luxor beige	-UZ		
	991 555 914 37 6A0	yachting blue	-EZ		
	991 555 914 37 OA1	agate grey	-DK		
	991 555 914 37 6J0	Espresso	-NE		
	991 555 914 37 N12	Carrera Red	-NG		
		two-colour			
991 555 914 37 GEG	Black/Platinum Grey	-BR			
991 555 914 37 GMG	Agate Grey/Pebble Grey	-BV			
991 555 914 37 GRG	Espresso/Cognac	-BH			
991 555 914 37 DTO	Black/Luxor Beige	-BL			
(1)	991 555 914 37 DQW	Black/Carrera Red	-BA,BQ	1	PR:XWA,098, 625,682,981, -537
	991 555 913 38	Door panel trim (leather)	left lhd		
	991 555 913 38 A11	Black	-AZ		
	991 555 913 38 9B0	Platinum Grey	-CZ		
	991 555 913 38 7J0	Luxor beige	-UZ		
	991 555 913 38 6A0	yachting blue	-EZ		
	991 555 913 38 OA1	agate grey	-DK		
	991 555 913 38 6J0	Espresso	-NE		
	991 555 913 38 N12	Carrera Red	-NG		
		two-colour			
	991 555 913 38 GEG	Black/Platinum Grey	-BR		
	991 555 913 38 GMG	Agate Grey/Pebble Grey	-BV		
991 555 913 38 GRG	Espresso/Cognac	-BH			
991 555 913 38 DTO	Black/Luxor Beige	-BL			
(1)	991 555 913 38 DQW	Black/Carrera Red	-BA,BQ	1	PR:XWA,099, 625,682,981
	991 555 913 38	Door panel trim (leather)	left rhd		
	991 555 913 38 A11	Black	-AZ		
	991 555 913 38 9B0	Platinum Grey	-CZ		
	991 555 913 38 7J0	Luxor beige	-UZ		
	991 555 913 38 6A0	yachting blue	-EZ		
	991 555 913 38 OA1	agate grey	-DK		
	991 555 913 38 6J0	Espresso	-NE		
	991 555 913 38 N12	Carrera Red	-NG		
		two-colour			
	991 555 913 38 GEG	Black/Platinum Grey	-BR		
	991 555 913 38 GMG	Agate Grey/Pebble Grey	-BV		
991 555 913 38 GRG	Espresso/Cognac	-BH			
991 555 913 38 DTO	Black/Luxor Beige	-BL			
(1)	991 555 913 38 DQW	Black/Carrera Red	-BA,BQ	1	PR:XWA,625, 682,981,-538
	991 555 914 38	Door panel trim (leather)	right		
	991 555 914 38 A11	Black	-AZ		
	991 555 914 38 9B0	Platinum Grey	-CZ		
	991 555 914 38 7J0	Luxor beige	-UZ		
	991 555 914 38 6A0	yachting blue	-EZ		
	991 555 914 38 OA1	agate grey	-DK		
	991 555 914 38 6J0	Espresso	-NE		
	991 555 914 38 N12	Carrera Red	-NG		
		two-colour			
	991 555 914 38 GEG	Black/Platinum Grey	-BR		
	991 555 914 38 GMG	Agate Grey/Pebble Grey	-BV		
991 555 914 38 GRG	Espresso/Cognac	-BH			
991 555 914 38 DTO	Black/Luxor Beige	-BL			

Model: 991T13

Model life 2014>>

Pos	Part Number	Description	Remark	Qty	Model
(1)	991 555 914 38 DQW 991 555 913 40	Black/Carrera Red Door panel trim (leather)	-BA,BQ left lhd	1	PR:XWA,098, 537,625,680, 981
	991 555 913 40 A11 991 555 913 40 9B0 991 555 913 40 7J0 991 555 913 40 6A0 991 555 913 40 OA1 991 555 913 40 6J0 991 555 913 40 N12	Black Platinum Grey Luxor beige yachting blue agate grey Espresso Carrera Red two-colour	-AZ -CZ -UZ -EZ -DK -NE -NG		
	991 555 913 40 GEG 991 555 913 40 GMG 991 555 913 40 GRG 991 555 913 40 DTO	Black/Platinum Grey Agate Grey/Pebble Grey Espresso/Cognac Black/Luxor Beige	-BR -BV -BH -BL		
(1)	991 555 913 40 DQW 991 555 914 40	Black/Carrera Red Door panel trim (leather)	-BA,BQ right	1	PR:XWA,538, 625,680,981
	991 555 914 40 A11 991 555 914 40 9B0 991 555 914 40 7J0 991 555 914 40 6A0 991 555 914 40 OA1 991 555 914 40 6J0 991 555 914 40 N12	Black Platinum Grey Luxor beige yachting blue agate grey Espresso Carrera Red two-colour	-AZ -CZ -UZ -EZ -DK -NE -NG		
	991 555 914 40 GEG 991 555 914 40 GMG 991 555 914 40 GRG 991 555 914 40 DTO	Black/Platinum Grey Agate Grey/Pebble Grey Espresso/Cognac Black/Luxor Beige	-BR -BV -BH -BL		
(1)	991 555 914 40 DQW 991 555 913 41	Black/Carrera Red Door panel trim (leather)	-BA,BQ left lhd	1	PR:XWA,098, 537,625,682, 981
	991 555 913 41 A11 991 555 913 41 9B0 991 555 913 41 7J0 991 555 913 41 6A0 991 555 913 41 OA1 991 555 913 41 6J0 991 555 913 41 N12	Black Platinum Grey Luxor beige yachting blue agate grey Espresso Carrera Red two-colour	-AZ -CZ -UZ -EZ -DK -NE -NG		
	991 555 913 41 GEG 991 555 913 41 GMG 991 555 913 41 GRG 991 555 913 41 DTO	Black/Platinum Grey Agate Grey/Pebble Grey Espresso/Cognac Black/Luxor Beige	-BR -BV -BH -BL		
(1)	991 555 913 41 DQW 991 555 914 41	Black/Carrera Red Door panel trim (leather)	-BA,BQ right	1	PR:XWA,538, 625,682,981
	991 555 914 41 A11 991 555 914 41 9B0 991 555 914 41 7J0 991 555 914 41 6A0 991 555 914 41 OA1 991 555 914 41 6J0 991 555 914 41 N12	Black Platinum Grey Luxor beige yachting blue agate grey Espresso Carrera Red two-colour	-AZ -CZ -UZ -EZ -DK -NE -NG		
	991 555 914 41 GEG 991 555 914 41 GMG 991 555 914 41 GRG 991 555 914 41 DTO 991 555 914 41 DQW	Black/Platinum Grey Agate Grey/Pebble Grey Espresso/Cognac Black/Luxor Beige Black/Carrera Red	-BR -BV -BH -BL -BQ		

Model: 991T13

Model life 2014&gt;&gt;

Pos	Part Number	Description	Remark	Qty	Model
2	999 507 533 02	Clamp 8,0 X 10,0 /2,5		4	
3	991 555 521 02	Inner actuator	left	1	
	991 555 521 02 V08	Galvano silver			
(3)	991 555 522 02	Inner actuator	right	1	
	991 555 522 02 V08	Galvano silver			
4	991 555 533 00	Pull handle	left	1	
		Leather			
	991 555 533 00 A11	Black	-AZ		
	991 555 533 00 9B0	Platinum Grey	-CZ, BR		
	991 555 533 00 7J0	Luxor beige	-UZ, BL		
	991 555 533 00 6A0	yachting blue	-EZ		
	991 555 533 00 OA1	agate grey	-DK		
	991 555 533 00 OD4	flint grey	-BV		
	991 555 533 00 6J0	Espresso	-NE		
	991 555 533 00 N12	Carrera Red	-NG, BA, BQ		
	991 555 533 00 7F0	Cognac	-BH		
(4)	991 555 534 00	Pull handle (leather)	right	1	
	991 555 534 00 A11	Black	-AZ		
	991 555 534 00 9B0	Platinum Grey	-CZ, BR		
	991 555 534 00 7J0	Luxor beige	-UZ, BL		
	991 555 534 00 6A0	yachting blue	-EZ		
	991 555 534 00 OA1	agate grey	-DK		
	991 555 534 00 OD4	flint grey	-BV		
	991 555 534 00 6J0	Espresso	-NE		
	991 555 534 00 N12	Carrera Red	-NG, BA, BQ		
	991 555 534 00 7F0	Cognac	-BH		
5	999 919 262 01	fillister hd. bolt 4,0 X 16,0		9	
6	970 632 135 00	Door warning light		2	
7	991 555 723 01	Mounting frame		1	
		Switch			
	991 555 723 01 1E0	Black			
8	991 555 721 00	Cover	left front	1	
	991 555 721 00 1E0	Black	-AZ, BR, BL, BA, BQ		
	991 555 721 00 6L0	Platinum Grey	-CZ		
	991 555 721 00 4H0	Luxor beige	-UZ		
	991 555 721 00 2F0	yachting blue	-EZ		
	991 555 721 00 OP1	agate grey	-DK, BV		
	991 555 721 00 7N0	Espresso	-NE, BH		
	991 555 721 00 OW5	Carrera Red	-NG		
(8)	991 555 722 00	Cover	right front	1	
	991 555 722 00 1E0	Black	-AZ, BR, BL, BA, BQ		
	991 555 722 00 6L0	Platinum Grey	-CZ		
	991 555 722 00 4H0	Luxor beige	-UZ		
	991 555 722 00 2F0	yachting blue	-EZ		
	991 555 722 00 OP1	agate grey	-DK, BV		
	991 555 722 00 7N0	Espresso	-NE, BH		
	991 555 722 00 OW5	Carrera Red	-NG		
(9)	7PP 837 247	Cover panel	left	1	
		Inner actuator			
	7PP 837 247 1E0	Black			
(9)	7PP 837 248	Cover panel	right	1	
		Inner actuator			
	7PP 837 248 1E0	Black			
10	991 555 683 00	cover for airbag	left	1	
	991 555 683 00 1E0	Black	-AZ, BR, BL, BA, BQ		
	991 555 683 00 6L0	Platinum Grey	-CZ		

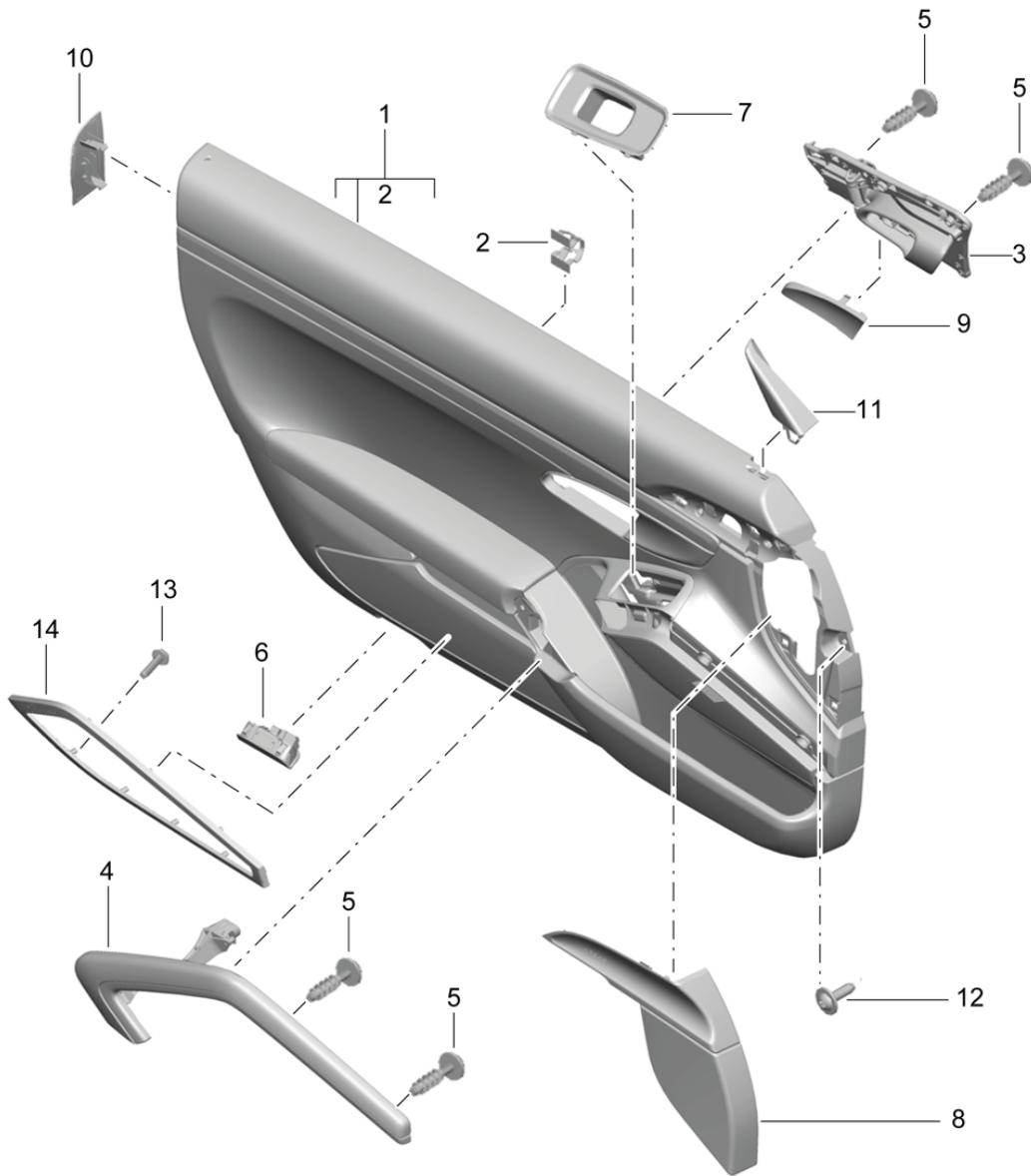
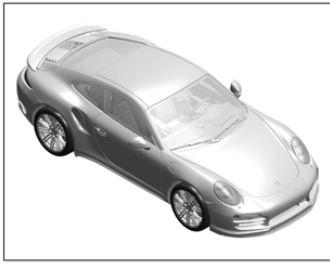
Model: 991T13

Model life 2014>>

Pos	Part Number	Description	Remark	Qty	Model
	991 555 683 00 4H0	Luxor beige	-UZ		
	991 555 683 00 2F0	yachting blue	-EZ		
	991 555 683 00 OP1	agate grey	-DK,BV		
	991 555 683 00 7N0	Espresso	-NE,BH		
	991 555 683 00 OW5	Carrera Red	-NG		
(10)	991 555 684 00	cover for airbag	right	1	
	991 555 684 00 1E0	Black	-AZ,BR,BL,BA, BQ		
	991 555 684 00 6L0	Platinum Grey	-CZ		
	991 555 684 00 4H0	Luxor beige	-UZ		
	991 555 684 00 2F0	yachting blue	-EZ		
	991 555 684 00 OP1	agate grey	-DK,BV		
	991 555 684 00 7N0	Espresso	-NE,BH		
	991 555 684 00 OW5	Carrera Red	-NG		
11	991 555 741 00	Cover panel window frame	left	1	
	991 555 741 00 1E0	Black			
(11)	991 555 742 00	Cover panel window frame	right	1	
	991 555 742 00 1E0	Black			
12	999 073 322 02	fillister hd. bolt M 6 X 20		8	
13	999 919 167 09	fillister hd. bolt M 3 X 10		10	PR:682
14	991 555 581 00	decorative frame Loudspeaker trim	left	1	PR:682
	991 555 581 00 V08	Galvano silver			
(14)	991 555 582 00	decorative frame Loudspeaker trim	right	1	PR:682
	991 555 582 00 V08	Galvano silver			

Model: 991T13

Model life 2014>>





Model: 991T13

Model life 2014>>

Pos	Part Number	Description	Remark	Qty	Model
		door panel Accessories Trim Leather D >> - MJ 2016			PR:XWA,788
1	991 555 993 07	Door panel trim (leather)	left lhd	1	PR:XWA,098, 680,981, -537,-625
	991 555 993 07 A11	Black	-AZ		
	991 555 993 07 9B0	Platinum Grey	-CZ		
	991 555 993 07 7J0	Luxor beige	-UZ		
	991 555 993 07 6A0	yachting blue	-EZ		
	991 555 993 07 OA1	agate grey	-DK		
	991 555 993 07 6J0	Espresso	-NE		
	991 555 993 07 N12	Carrera Red	-NG		
		two-colour			
	991 555 993 07 GEG	Black/Platinum Grey	-BR		
	991 555 993 07 GMG	Agate Grey/Pebble Grey	-BV		
	991 555 993 07 GRG	Espresso/Cognac	-BH		
	991 555 993 07 DTO	Black/Luxor Beige	-BL		
	991 555 993 07 DQW	Black/Carrera Red	-BA,BQ		
(1)	991 555 993 07	Door panel trim (leather)	left rhd	1	PR:XWA,099, 680,981,-625
	991 555 993 07 A11	Black	-AZ		
	991 555 993 07 9B0	Platinum Grey	-CZ		
	991 555 993 07 7J0	Luxor beige	-UZ		
	991 555 993 07 6A0	yachting blue	-EZ		
	991 555 993 07 OA1	agate grey	-DK		
	991 555 993 07 6J0	Espresso	-NE		
	991 555 993 07 N12	Carrera Red	-NG		
		two-colour			
	991 555 993 07 GEG	Black/Platinum Grey	-BR		
	991 555 993 07 GMG	Agate Grey/Pebble Grey	-BV		
	991 555 993 07 GRG	Espresso/Cognac	-BH		
	991 555 993 07 DTO	Black/Luxor Beige	-BL		
	991 555 993 07 DQW	Black/Carrera Red	-BA,BQ		
(1)	991 555 994 07	Door panel trim (leather)	right	1	PR:XWA,680, 981,-538, -625
	991 555 994 07 A11	Black	-AZ		
	991 555 994 07 9B0	Platinum Grey	-CZ		
	991 555 994 07 7J0	Luxor beige	-UZ		
	991 555 994 07 6A0	yachting blue	-EZ		
	991 555 994 07 OA1	agate grey	-DK		
	991 555 994 07 6J0	Espresso	-NE		
	991 555 994 07 N12	Carrera Red	-NG		
		two-colour			
	991 555 994 07 GEG	Black/Platinum Grey	-BR		
	991 555 994 07 GMG	Agate Grey/Pebble Grey	-BV		
	991 555 994 07 GRG	Espresso/Cognac	-BH		
	991 555 994 07 DTO	Black/Luxor Beige	-BL		
	991 555 994 07 DQW	Black/Carrera Red	-BA,BQ		
(1)	991 555 993 08	Door panel trim (leather)	left lhd	1	PR:XWA,098, 682,981, -537,-625
	991 555 993 08 A11	Black	-AZ		
	991 555 993 08 9B0	Platinum Grey	-CZ		
	991 555 993 08 7J0	Luxor beige	-UZ		
	991 555 993 08 6A0	yachting blue	-EZ		
	991 555 993 08 OA1	agate grey	-DK		
	991 555 993 08 6J0	Espresso	-NE		
	991 555 993 08 N12	Carrera Red	-NG		
		two-colour			

Model: 991T13 Model life 2014>>

Pos	Part Number	Description	Remark	Qty	Model
(1)	991 555 993 08 GEG	Black/Platinum Grey	-BR	1	PR:XWA,099, 682,981,-625
	991 555 993 08 GMG	Agate Grey/Pebble Grey	-BV		
	991 555 993 08 GRG	Espresso/Cognac	-BH		
	991 555 993 08 DTO	Black/Luxor Beige	-BL		
	991 555 993 08 DQW	Black/Carrera Red	-BA,BQ		
	991 555 993 08	Door panel trim (leather)	left rhd		
	991 555 993 08 A11	Black	-AZ		
	991 555 993 08 9B0	Platinum Grey	-CZ		
	991 555 993 08 7J0	Luxor beige	-UZ		
	991 555 993 08 6A0	yachting blue	-EZ		
	991 555 993 08 OA1	agate grey	-DK		
	991 555 993 08 6J0	Espresso	-NE		
	991 555 993 08 N12	Carrera Red	-NG		
	991 555 993 08 GEG	Black/Platinum Grey	-BR		
(1)	991 555 993 08 GMG	Agate Grey/Pebble Grey	-BV	1	PR:XWA,682, 981,-538, -625
	991 555 993 08 GRG	Espresso/Cognac	-BH		
	991 555 993 08 DTO	Black/Luxor Beige	-BL		
	991 555 993 08 DQW	Black/Carrera Red	-BA,BQ		
	991 555 994 08	Door panel trim (leather)	right		
	991 555 994 08 A11	Black	-AZ		
	991 555 994 08 9B0	Platinum Grey	-CZ		
	991 555 994 08 7J0	Luxor beige	-UZ		
	991 555 994 08 6A0	yachting blue	-EZ		
	991 555 994 08 OA1	agate grey	-DK		
	991 555 994 08 6J0	Espresso	-NE		
	991 555 994 08 N12	Carrera Red	-NG		
	991 555 994 08 GEG	Black/Platinum Grey	-BR		
	991 555 994 08 GMG	Agate Grey/Pebble Grey	-BV		
(1)	991 555 994 08 GRG	Espresso/Cognac	-BH	1	PR:XWA,098, 537,680,981, -625
	991 555 994 08 DTO	Black/Luxor Beige	-BL		
	991 555 994 08 DQW	Black/Carrera Red	-BA,BQ		
	991 555 993 10	Door panel trim (leather)	left lhd		
	991 555 993 10 A11	Black	-AZ		
	991 555 993 10 9B0	Platinum Grey	-CZ		
	991 555 993 10 7J0	Luxor beige	-UZ		
	991 555 993 10 6A0	yachting blue	-EZ		
	991 555 993 10 OA1	agate grey	-DK		
	991 555 993 10 6J0	Espresso	-NE		
	991 555 993 10 N12	Carrera Red	-NG		
	991 555 993 10 GEG	Black/Platinum Grey	-BR		
	991 555 993 10 GMG	Agate Grey/Pebble Grey	-BV		
	(1)	991 555 993 10 GRG	Espresso/Cognac		
991 555 993 10 DTO		Black/Luxor Beige	-BL		
991 555 993 10 DQW		Black/Carrera Red	-BA,BQ		
991 555 994 10		Door panel trim (leather)	right		
991 555 994 10 A11		Black	-AZ		
991 555 994 10 9B0		Platinum Grey	-CZ		
991 555 994 10 7J0		Luxor beige	-UZ		
991 555 994 10 6A0		yachting blue	-EZ		
991 555 994 10 OA1		agate grey	-DK		
991 555 994 10 6J0		Espresso	-NE		
991 555 994 10 N12		Carrera Red	-NG		
991 555 994 10 GEG		Black/Platinum Grey	-BR		

Model: 991T13 Model life 2014>>

Pos	Part Number	Description	Remark	Qty	Model
(1)	991 555 994 10 GMG	Agate Grey/Pebble Grey	-BV	1	PR:XWA,098, 537,682,981, -625
	991 555 994 10 GRG	Espresso/Cognac	-BH		
	991 555 994 10 DTO	Black/Luxor Beige	-BL		
	991 555 994 10 DQW	Black/Carrera Red	-BA,BQ		
	991 555 993 11	Door panel trim (leather)	left lhd		
	991 555 993 11 A11	Black	-AZ		
	991 555 993 11 9B0	Platinum Grey	-CZ		
	991 555 993 11 7J0	Luxor beige	-UZ		
	991 555 993 11 6A0	yachting blue	-EZ		
	991 555 993 11 OA1	agate grey	-DK		
	991 555 993 11 6J0	Espresso	-NE		
	991 555 993 11 N12	Carrera Red two-colour	-NG		
	991 555 993 11 GEG	Black/Platinum Grey	-BR		
	991 555 993 11 GMG	Agate Grey/Pebble Grey	-BV		
	(1)	991 555 993 11 GRG	Espresso/Cognac		
991 555 993 11 DTO		Black/Luxor Beige	-BL		
991 555 993 11 DQW		Black/Carrera Red	-BA,BQ		
991 555 994 11		Door panel trim (leather)	right		
991 555 994 11 A11		Black	-AZ		
991 555 994 11 9B0		Platinum Grey	-CZ		
991 555 994 11 7J0		Luxor beige	-UZ		
991 555 994 11 6A0		yachting blue	-EZ		
991 555 994 11 OA1		agate grey	-DK		
991 555 994 11 6J0		Espresso	-NE		
991 555 994 11 N12		Carrera Red two-colour	-NG		
991 555 994 11 GEG		Black/Platinum Grey	-BR		
991 555 994 11 GMG		Agate Grey/Pebble Grey	-BV		
991 555 994 11 GRG		Espresso/Cognac	-BH		
(1)		991 555 994 11 DTO	Black/Luxor Beige	-BL	1
	991 555 994 11 DQW	Black/Carrera Red	-BA,BQ		
	991 555 993 37	Door panel trim (leather)	left lhd		
	991 555 993 37 A11	Black	-AZ		
	991 555 993 37 9B0	Platinum Grey	-CZ		
	991 555 993 37 7J0	Luxor beige	-UZ		
	991 555 993 37 6A0	yachting blue	-EZ		
	991 555 993 37 OA1	agate grey	-DK		
	991 555 993 37 6J0	Espresso	-NE		
	991 555 993 37 N12	Carrera Red two-colour	-NG		
	991 555 993 37 GEG	Black/Platinum Grey	-BR		
	991 555 993 37 GMG	Agate Grey/Pebble Grey	-BV		
	991 555 993 37 GRG	Espresso/Cognac	-BH		
	991 555 993 37 DTO	Black/Luxor Beige	-BL		
	(1)	991 555 993 37 DQW	Black/Carrera Red	-BA,BQ	
991 555 993 37		Door panel trim (leather)	left rhd		
991 555 993 37 A11		Black	-AZ		
991 555 993 37 9B0		Platinum Grey	-CZ		
991 555 993 37 7J0		Luxor beige	-UZ		
991 555 993 37 6A0		yachting blue	-EZ		
991 555 993 37 OA1		agate grey	-DK		
991 555 993 37 6J0		Espresso	-NE		
991 555 993 37 N12		Carrera Red two-colour	-NG		
991 555 993 37 GEG		Black/Platinum Grey	-BR		
991 555 993 37 GMG		Agate Grey/Pebble Grey	-BV		

Model: 991T13 Model life 2014>>

Pos	Part Number	Description	Remark	Qty	Model
(1)	991 555 993 37 GRG	Espresso/Cognac	-BH	1	PR:XWA,680, 625,981,-538
	991 555 993 37 DTO	Black/Luxor Beige	-BL		
	991 555 993 37 DQW	Black/Carrera Red	-BA,BQ		
	991 555 994 37	Door panel trim (leather)	right		
	991 555 994 37 A11	Black	-AZ		
	991 555 994 37 9B0	Platinum Grey	-CZ		
	991 555 994 37 7J0	Luxor beige	-UZ		
	991 555 994 37 6A0	yachting blue	-EZ		
	991 555 994 37 OA1	agate grey	-DK		
	991 555 994 37 6J0	Espresso	-NE		
	991 555 994 37 N12	Carrera Red	-NG		
		two-colour			
991 555 994 37 GEG	Black/Platinum Grey	-BR			
991 555 994 37 GMG	Agate Grey/Pebble Grey	-BV			
991 555 994 37 GRG	Espresso/Cognac	-BH			
991 555 994 37 DTO	Black/Luxor Beige	-BL			
(1)	991 555 994 37 DQW	Black/Carrera Red	-BA,BQ	1	PR:XWA,098, 682,625,981, -537
	991 555 993 38	Door panel trim (leather)	left lhd		
	991 555 993 38 A11	Black	-AZ		
	991 555 993 38 9B0	Platinum Grey	-CZ		
	991 555 993 38 7J0	Luxor beige	-UZ		
	991 555 993 38 6A0	yachting blue	-EZ		
	991 555 993 38 OA1	agate grey	-DK		
	991 555 993 38 6J0	Espresso	-NE		
	991 555 993 38 N12	Carrera Red	-NG		
		two-colour			
	991 555 993 38 GEG	Black/Platinum Grey	-BR		
	991 555 993 38 GMG	Agate Grey/Pebble Grey	-BV		
991 555 993 38 GRG	Espresso/Cognac	-BH			
991 555 993 38 DTO	Black/Luxor Beige	-BL			
(1)	991 555 993 38 DQW	Black/Carrera Red	-BA,BQ	1	PR:XWA,099, 682,625,981
	991 555 993 38	Door panel trim (leather)	left rhd		
	991 555 993 38 A11	Black	-AZ		
	991 555 993 38 9B0	Platinum Grey	-CZ		
	991 555 993 38 7J0	Luxor beige	-UZ		
	991 555 993 38 6A0	yachting blue	-EZ		
	991 555 993 38 OA1	agate grey	-DK		
	991 555 993 38 6J0	Espresso	-NE		
	991 555 993 38 N12	Carrera Red	-NG		
		two-colour			
	991 555 993 38 GEG	Black/Platinum Grey	-BR		
	991 555 993 38 GMG	Agate Grey/Pebble Grey	-BV		
991 555 993 38 GRG	Espresso/Cognac	-BH			
991 555 993 38 DTO	Black/Luxor Beige	-BL			
(1)	991 555 993 38 DQW	Black/Carrera Red	-BA,BQ	1	PR:XWA,682, 625,981,-538
	991 555 994 38	Door panel trim (leather)	right		
	991 555 994 38 A11	Black	-AZ		
	991 555 994 38 9B0	Platinum Grey	-CZ		
	991 555 994 38 7J0	Luxor beige	-UZ		
	991 555 994 38 6A0	yachting blue	-EZ		
	991 555 994 38 OA1	agate grey	-DK		
	991 555 994 38 6J0	Espresso	-NE		
	991 555 994 38 N12	Carrera Red	-NG		
		two-colour			
	991 555 994 38 GEG	Black/Platinum Grey	-BR		
	991 555 994 38 GMG	Agate Grey/Pebble Grey	-BV		
991 555 994 38 GRG	Espresso/Cognac	-BH			
991 555 994 38 DTO	Black/Luxor Beige	-BL			

Model: 991T13

Model life 2014>>

Pos	Part Number	Description	Remark	Qty	Model
(1)	991 555 994 38 DQW 991 555 993 40	Black/Carrera Red Door panel trim (leather)	-BA,BQ left lhd	1	PR:XWA,098, 537,625,680, 981
	991 555 993 40 A11 991 555 993 40 9B0 991 555 993 40 7J0 991 555 993 40 6A0 991 555 993 40 OA1 991 555 993 40 6J0 991 555 993 40 N12	Black Platinum Grey Luxor beige yachting blue agate grey Espresso Carrera Red two-colour	-AZ -CZ -UZ -EZ -DK -NE -NG		
	991 555 993 40 GEG 991 555 993 40 GMG 991 555 993 40 GRG 991 555 993 40 DTO	Black/Platinum Grey Agate Grey/Pebble Grey Espresso/Cognac Black/Luxor Beige	-BR -BV -BH -BL		
(1)	991 555 993 40 DQW 991 555 994 40	Black/Carrera Red Door panel trim (leather)	-BA,BQ right	1	PR:XWA,538, 625,680,981
	991 555 994 40 A11 991 555 994 40 9B0 991 555 994 40 7J0 991 555 994 40 6A0 991 555 994 40 OA1 991 555 994 40 6J0 991 555 994 40 N12	Black Platinum Grey Luxor beige yachting blue agate grey Espresso Carrera Red two-colour	-AZ -CZ -UZ -EZ -DK -NE -NG		
	991 555 994 40 GEG 991 555 994 40 GMG 991 555 994 40 GRG 991 555 994 40 DTO	Black/Platinum Grey Agate Grey/Pebble Grey Espresso/Cognac Black/Luxor Beige	-BR -BV -BH -BL		
(1)	991 555 994 40 DQW 991 555 993 41	Black/Carrera Red Door panel trim (leather)	-BA,BQ left lhd	1	PR:XWA,098, 537,625,682, 981
	991 555 993 41 A11 991 555 993 41 9B0 991 555 993 41 7J0 991 555 993 41 6A0 991 555 993 41 OA1 991 555 993 41 6J0 991 555 993 41 N12	Black Platinum Grey Luxor beige yachting blue agate grey Espresso Carrera Red two-colour	-AZ -CZ -UZ -EZ -DK -NE -NG		
	991 555 993 41 GEG 991 555 993 41 GMG 991 555 993 41 GRG 991 555 993 41 DTO	Black/Platinum Grey Agate Grey/Pebble Grey Espresso/Cognac Black/Luxor Beige	-BR -BV -BH -BL		
(1)	991 555 993 41 DQW 991 555 994 41	Black/Carrera Red Door panel trim (leather)	-BA,BQ right	1	PR:XWA,538, 625,682,981
	991 555 994 41 A11 991 555 994 41 9B0 991 555 994 41 7J0 991 555 994 41 6A0 991 555 994 41 OA1 991 555 994 41 6J0 991 555 994 41 N12	Black Platinum Grey Luxor beige yachting blue agate grey Espresso Carrera Red two-colour	-AZ -CZ -UZ -EZ -DK -NE -NG		
	991 555 994 41 GEG 991 555 994 41 GMG 991 555 994 41 GRG 991 555 994 41 DTO 991 555 994 41 DQW	Black/Platinum Grey Agate Grey/Pebble Grey Espresso/Cognac Black/Luxor Beige Black/Carrera Red	-BR -BV -BH -BL -BA,BQ		

Model: 991T13 Model life 2014>>

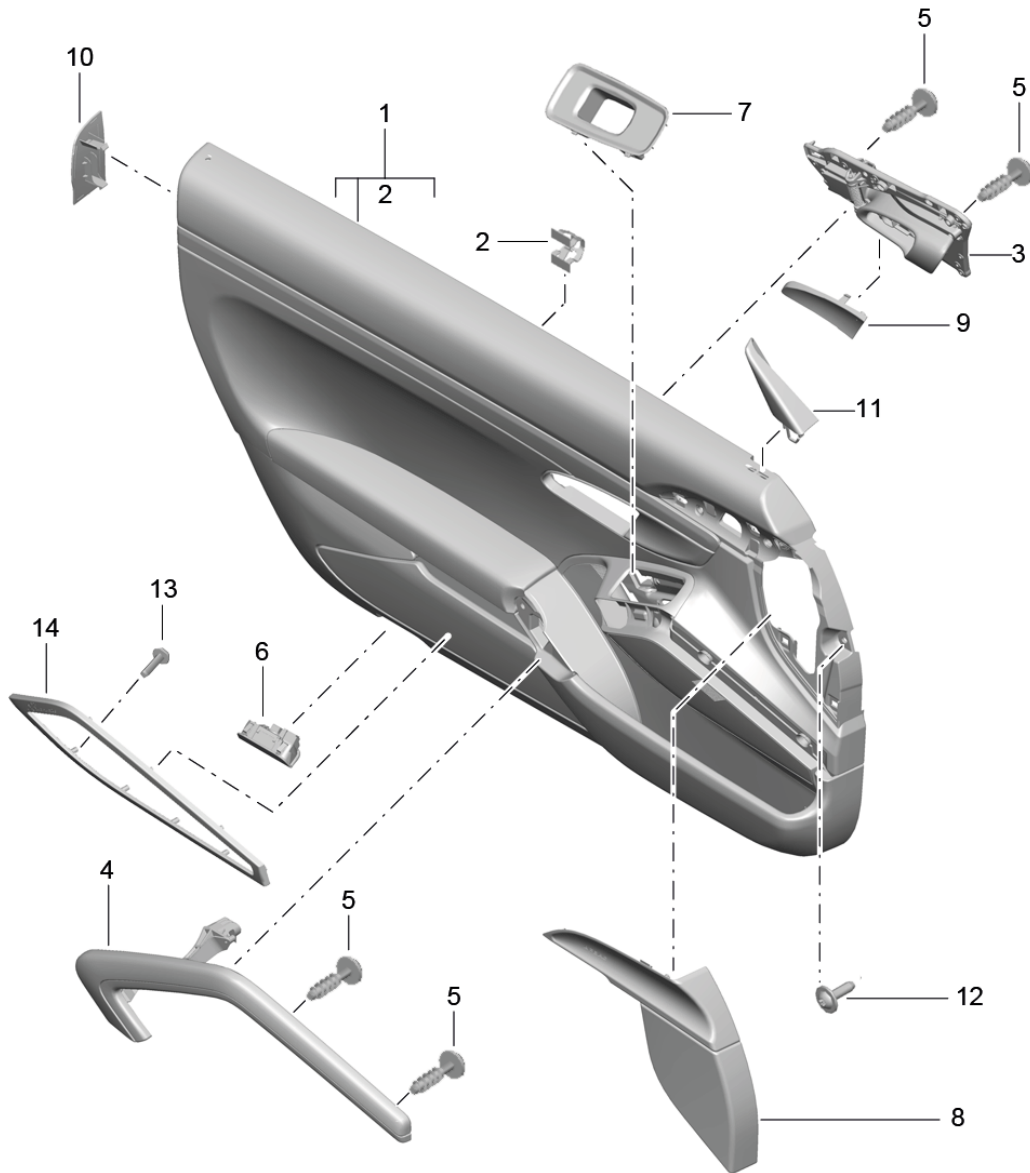
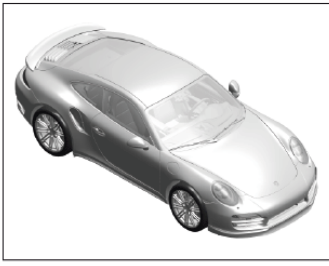
Pos	Part Number	Description	Remark	Qty	Model
2	999 507 533 02	Clamp 8,0 X 10,0 /2,5		4	
3	991 555 521 02	Inner actuator	left	1	
(3)	991 555 521 02 V08	Galvano silver			
	991 555 522 02	Inner actuator	right	1	
	991 555 522 02 V08	Galvano silver			
	4	991 555 533 00	Pull handle	left	1
		Leather			
	991 555 533 00 A11	Black	-AZ		
	991 555 533 00 9B0	Platinum Grey	-CZ, BR		
	991 555 533 00 7J0	Luxor beige	-UZ, BL		
	991 555 533 00 6A0	yachting blue	-EZ		
	991 555 533 00 OA1	agate grey	-DK		
	991 555 533 00 OD4	flint grey	-BV		
	991 555 533 00 6J0	Espresso	-NE		
	991 555 533 00 N12	Carrera Red	-NG, BA, BQ		
	991 555 533 00 7F0	Cognac	-BH		
(4)	991 555 534 00	Pull handle (leather)	right	1	
	991 555 534 00 A11	Black	-AZ		
	991 555 534 00 9B0	Platinum Grey	-CZ, BR		
	991 555 534 00 7J0	Luxor beige	-UZ, BL		
	991 555 534 00 6A0	yachting blue	-EZ		
	991 555 534 00 OA1	agate grey	-DK		
	991 555 534 00 OD4	flint grey	-BV		
	991 555 534 00 6J0	Espresso	-NE		
	991 555 534 00 N12	Carrera Red	-NG, BA, BQ		
	991 555 534 00 7F0	Cognac	-BH		
5	999 919 262 01	fillister hd. bolt 4,0 X 16,0		9	
6	970 632 135 00	Door warning light		2	
7	991 555 723 01	Mounting frame		1	
		Switch			
	991 555 723 01 1E0	Black			
8	991 555 721 02	Cover	left front	1	
		D - MJ 2015>>			
	991 555 721 02 5Q0	Black	-AZ, BR, BL, BA, BQ		
	991 555 721 02 4U0	Platinum Grey	-CZ		
	991 555 721 02 6W0	Luxor beige	-UZ		
	991 555 721 02 8Y0	yachting blue	-EZ		
	991 555 721 02 OA6	agate grey	-DK, BV		
	991 555 721 02 3T0	Espresso	-NE, BH		
	991 555 721 02 OE1	Carrera Red	-NG		
(8)	991 555 722 02	Cover	right front	1	
		D - MJ 2015>>			
	991 555 722 02 5Q0	Black	-AZ, BR, BL, BA, BQ		
	991 555 722 02 4U0	Platinum Grey	-CZ		
	991 555 722 02 6W0	Luxor beige	-UZ		
	991 555 722 02 8Y0	yachting blue	-EZ		
	991 555 722 02 OA6	agate grey	-DK, BV		
	991 555 722 02 3T0	Espresso	-NE, BH		
	991 555 722 02 OE1	Carrera Red	-NG		
(9)	7PP 837 247	Cover panel	left	1	
		Inner actuator			
	7PP 837 247 1E0	Black			
(9)	7PP 837 248	Cover panel	right	1	
		Inner actuator			
	7PP 837 248 1E0	Black			
10	991 555 683 01	cover for airbag	left	1	
		D - MJ 2015>>			

Model: 991T13 Model life 2014>>

Pos	Part Number	Description	Remark	Qty	Model
	991 555 683 01 5Q0	Black	-AZ, BR, BL, BA, BQ		
	991 555 683 01 4U0	Platinum Grey	-CZ		
	991 555 683 01 6W0	Luxor beige	-UZ		
	991 555 683 01 8Y0	yachting blue	-EZ		
	991 555 683 01 OA6	agate grey	-DK, BV		
	991 555 683 01 3T0	Espresso	-NE, BH		
	991 555 683 01 OE1	Carrera Red	-NG		
(10)	991 555 684 01	cover for airbag D - MJ 2015>>	right	1	
	991 555 684 01 5Q0	Black	-AZ, BR, BL, BA, BQ		
	991 555 684 01 4U0	Platinum Grey	-CZ		
	991 555 684 01 6W0	Luxor beige	-UZ		
	991 555 684 01 8Y0	yachting blue	-EZ		
	991 555 684 01 OA6	agate grey	-DK, BV		
	991 555 684 01 3T0	Espresso	-NE, BH		
	991 555 684 01 OE1	Carrera Red	-NG		
11	991 555 741 00	Cover panel window frame	left	1	
	991 555 741 00 1E0	Black			
(11)	991 555 742 00	Cover panel window frame	right	1	
	991 555 742 00 1E0	Black			
12	999 073 322 02	fillister hd. bolt M 6 X 20		8	
13	999 919 167 09	fillister hd. bolt M 3 X 10		10	PR:682
14	991 555 581 00	decorative frame Loudspeaker trim	left	1	PR:682
	991 555 581 00 V08	Galvano silver			
(14)	991 555 582 00	decorative frame Loudspeaker trim	right	1	PR:682
	991 555 582 00 V08	Galvano silver			

Model: 991T13

Model life 2014>>





Model: 991T13

Model life 2014>>

Pos	Part Number	Description	Remark	Qty	Model
		door panel Accessories Trim Leather 2nd GENERATION D - MJ 2017>>			PR:XWA,981
1	991 555 993 07	Door panel trim (leather)	left	1	PR:9VL,-537,-625
	991 555 993 07 A11	Black	-AZ		
	991 555 993 07 OA1	agate grey	-FZ		
	991 555 993 07 OH7	Graphite Blue	-HZ		
	991 555 993 07 OK6	saddle brown	-SZ		
	991 555 993 07 7J0	Luxor beige	-UZ		
	991 555 993 07 OG6	Bordeaux red	-LZ		
	991 555 993 07 6J0	Espresso	-NE		
	991 555 993 07 JHB	Black/Dark Silver	-TD		
(1)	991 555 993 07	Door panel trim (leather)	left	1	PR:9VL,-537,-625
		two-colour			
	991 555 993 07 DTO	Black/Luxor Beige	-BT		
	991 555 993 07 GUG	Black/Bordeaux Red	-BM		
	991 555 993 07 GTG	Graphite Blue/Chalk	-BG,TG		
	991 555 993 07 GRG	Espresso/Cognac	-BY		
(1)	991 555 994 07	Door panel trim (leather)	right	1	PR:9VL,-538,-625
	991 555 994 07 A11	Black	-AZ		
	991 555 994 07 OA1	agate grey	-FZ		
	991 555 994 07 OH7	Graphite Blue	-HZ		
	991 555 994 07 OK6	saddle brown	-SZ		
	991 555 994 07 7J0	Luxor beige	-UZ		
	991 555 994 07 OG6	Bordeaux red	-LZ		
	991 555 994 07 6J0	Espresso	-NE		
	991 555 994 07 JHB	Black/Dark Silver	-TD		
(1)	991 555 994 07	Door panel trim (leather)	right	1	PR:9VL,-538,-625
		two-colour			
	991 555 994 07 DTO	Black/Luxor Beige	-BT		
	991 555 994 07 GUG	Black/Bordeaux Red	-BM		
	991 555 994 07 GTG	Graphite Blue/Chalk	-BG,TG		
	991 555 994 07 GRG	Espresso/Cognac	-BY		
(1)	991 555 993 08	Door panel trim (leather)	left	1	PR:9VJ,-537,-625
	991 555 993 08 A11	Black	-AZ		
	991 555 993 08 OA1	agate grey	-FZ		
	991 555 993 08 OH7	Graphite Blue	-HZ		
	991 555 993 08 OK6	saddle brown	-SZ		
	991 555 993 08 7J0	Luxor beige	-UZ		
	991 555 993 08 OG6	Bordeaux red	-LZ		
	991 555 993 08 6J0	Espresso	-NE		
	991 555 993 08 JHB	Black/Dark Silver	-TD		
(1)	991 555 993 08	Door panel trim (leather)	left	1	PR:9VJ,-537,-625
		two-colour			
	991 555 993 08 DTO	Black/Luxor Beige	-BT		
	991 555 993 08 GUG	Black/Bordeaux Red	-BM		
	991 555 993 08 GTG	Graphite Blue/Chalk	-BG,TG		
	991 555 993 08 GRG	Espresso/Cognac	-BY		
(1)	991 555 994 08	Door panel trim (leather)	right	1	PR:9VJ,-538,-625
	991 555 994 08 A11	Black	-AZ		
	991 555 994 08 OA1	agate grey	-FZ		
	991 555 994 08 OH7	Graphite Blue	-HZ		
	991 555 994 08 OK6	saddle brown	-SZ		

Model: 991T13

Model life 2014&gt;&gt;

Pos	Part Number	Description	Remark	Qty	Model
	991 555 994 08 7J0	Luxor beige	-UZ		
	991 555 994 08 OG6	Bordeaux red	-LZ		
	991 555 994 08 6J0	Espresso	-NE		
	991 555 994 08 JHB	Black/Dark Silver	-TD		
(1)	991 555 994 08	Door panel trim (leather)	right	1	PR:9VJ,-538, -625
		two-colour			
	991 555 994 08 DTO	Black/Luxor Beige	-BT		
	991 555 994 08 GUG	Black/Bordeaux Red	-BM		
	991 555 994 08 GTG	Graphite Blue/Chalk	-BG,TG		
	991 555 994 08 GRG	Espresso/Cognac	-BY		
(1)	991 555 993 10	Door panel trim (leather)	left lhd	1	PR:9VL,537, -625,098
	991 555 993 10 A11	Black	-AZ		
	991 555 993 10 OA1	agate grey	-FZ		
	991 555 993 10 OH7	Graphite Blue	-HZ		
	991 555 993 10 OK6	saddle brown	-SZ		
	991 555 993 10 7J0	Luxor beige	-UZ		
	991 555 993 10 OG6	Bordeaux red	-LZ		
	991 555 993 10 6J0	Espresso	-NE		
	991 555 993 10 JHB	Black/Dark Silver	-TD		
(1)	991 555 993 10	Door panel trim (leather)	left lhd	1	PR:9VL,537, -625,098
		two-colour			
	991 555 993 10 DTO	Black/Luxor Beige	-BT		
	991 555 993 10 GUG	Black/Bordeaux Red	-BM		
	991 555 993 10 GTG	Graphite Blue/Chalk	-BG,TG		
	991 555 993 10 GRG	Espresso/Cognac	-BY		
(1)	991 555 994 10	Door panel trim (leather)	right rhd	1	PR:9VL,538, -625,099
	991 555 994 10 A11	Black	-AZ		
	991 555 994 10 OA1	agate grey	-FZ		
	991 555 994 10 OH7	Graphite Blue	-HZ		
	991 555 994 10 OK6	saddle brown	-SZ		
	991 555 994 10 7J0	Luxor beige	-UZ		
	991 555 994 10 OG6	Bordeaux red	-LZ		
	991 555 994 10 6J0	Espresso	-NE		
	991 555 994 10 JHB	Black/Dark Silver	-TD		
(1)	991 555 994 10	Door panel trim (leather)	right rhd	1	PR:9VL,538, -625,099
		two-colour			
	991 555 994 10 DTO	Black/Luxor Beige	-BT		
	991 555 994 10 GUG	Black/Bordeaux Red	-BM		
	991 555 994 10 GTG	Graphite Blue/Chalk	-BG,TG		
	991 555 994 10 GRG	Espresso/Cognac	-BY		
(1)	991 555 993 11	Door panel trim (leather)	left lhd	1	PR:9VJ,537, -625,098
	991 555 993 11 A11	Black	-AZ		
	991 555 993 11 OA1	agate grey	-FZ		
	991 555 993 11 OH7	Graphite Blue	-HZ		
	991 555 993 11 OK6	saddle brown	-SZ		
	991 555 993 11 7J0	Luxor beige	-UZ		
	991 555 993 11 OG6	Bordeaux red	-LZ		
	991 555 993 11 6J0	Espresso	-NE		
	991 555 993 11 JHB	Black/Dark Silver	-TD		
(1)	991 555 993 11	Door panel trim (leather)	left lhd	1	PR:9VJ,537, -625,098
		two-colour			
	991 555 993 11 DTO	Black/Luxor Beige	-BT		
	991 555 993 11 GUG	Black/Bordeaux Red	-BM		
	991 555 993 11 GTG	Graphite Blue/Chalk	-BG,TG		
	991 555 993 11 GRG	Espresso/Cognac	-BY		
(1)	991 555 994 11	Door panel trim (leather)	right rhd	1	PR:9VJ,538,

Model: 991T13 Model life 2014>>

Pos	Part Number	Description	Remark	Qty	Model
	991 555 994 11 A11	Black	-AZ		-625,099
	991 555 994 11 OA1	agate grey	-FZ		
	991 555 994 11 OH7	Graphite Blue	-HZ		
	991 555 994 11 OK6	saddle brown	-SZ		
	991 555 994 11 7J0	Luxor beige	-UZ		
	991 555 994 11 OG6	Bordeaux red	-LZ		
	991 555 994 11 6J0	Espresso	-NE		
	991 555 994 11 JHB	Black/Dark Silver	-TD		
(1)	991 555 994 11	Door panel trim (leather)	right rhd	1	PR:9VJ,538, -625,099
		two-colour			
	991 555 994 11 DTO	Black/Luxor Beige	-BT		
	991 555 994 11 GUG	Black/Bordeaux Red	-BM		
	991 555 994 11 GTG	Graphite Blue/Chalk	-BG,TG		
	991 555 994 11 GRG	Espresso/Cognac	-BY		
(1)	991 555 993 37	Door panel trim (leather)	left	1	PR:9VL,625, -537
	991 555 993 37 A11	Black	-AZ		
	991 555 993 37 OA1	agate grey	-FZ		
	991 555 993 37 OH7	Graphite Blue	-HZ		
	991 555 993 37 OK6	saddle brown	-SZ		
	991 555 993 37 7J0	Luxor beige	-UZ		
	991 555 993 37 OG6	Bordeaux red	-LZ		
	991 555 993 37 6J0	Espresso	-NE		
	991 555 993 37 JHB	Black/Dark Silver	-TD		
(1)	991 555 993 37	Door panel trim (leather)	left	1	PR:9VL,625, -537
		two-colour			
	991 555 993 37 DTO	Black/Luxor Beige	-BT		
	991 555 993 37 GUG	Black/Bordeaux Red	-BM		
	991 555 993 37 GTG	Graphite Blue/Chalk	-BG,TG		
	991 555 993 37 GRG	Espresso/Cognac	-BY		
(1)	991 555 994 37	Door panel trim (leather)	right	1	PR:9VL,625, -538
	991 555 994 37 A11	Black	-AZ		
	991 555 994 37 OA1	agate grey	-FZ		
	991 555 994 37 OH7	Graphite Blue	-HZ		
	991 555 994 37 OK6	saddle brown	-SZ		
	991 555 994 37 7J0	Luxor beige	-UZ		
	991 555 994 37 OG6	Bordeaux red	-LZ		
	991 555 994 37 6J0	Espresso	-NE		
	991 555 994 37 JHB	Black/Dark Silver	-TD		
(1)	991 555 994 37	Door panel trim (leather)	right	1	PR:9VL,625, -538
		two-colour			
	991 555 994 37 DTO	Black/Luxor Beige	-BT		
	991 555 994 37 GUG	Black/Bordeaux Red	-BM		
	991 555 994 37 GTG	Graphite Blue/Chalk	-BG,TG		
	991 555 994 37 GRG	Espresso/Cognac	-BY		
(1)	991 555 993 38	Door panel trim (leather)	left	1	PR:9VJ,625, -537
	991 555 993 38 A11	Black	-AZ		
	991 555 993 38 OA1	agate grey	-FZ		
	991 555 993 38 OH7	Graphite Blue	-HZ		
	991 555 993 38 OK6	saddle brown	-SZ		
	991 555 993 38 7J0	Luxor beige	-UZ		
	991 555 993 38 OG6	Bordeaux red	-LZ		
	991 555 993 38 6J0	Espresso	-NE		
	991 555 993 38 JHB	Black/Dark Silver	-TD		
(1)	991 555 993 38	Door panel trim (leather)	left	1	PR:9VJ,625, -537
		two-colour			

Model: 991T13 Model life 2014>>

Pos	Part Number	Description	Remark	Qty	Model			
(1)	991 555 993 38 DTO	Black/Luxor Beige	-BT	1	PR:9VJ,625, -538			
	991 555 993 38 GUG	Black/Bordeaux Red	-BM					
	991 555 993 38 GTG	Graphite Blue/Chalk	-BG,TG					
	991 555 993 38 GRG	Espresso/Cognac	-BY					
	991 555 994 38	Door panel trim (leather)	right					
	991 555 994 38 A11	Black	-AZ					
	991 555 994 38 OA1	agate grey	-FZ					
	991 555 994 38 OH7	Graphite Blue	-HZ					
	991 555 994 38 OK6	saddle brown	-SZ					
	991 555 994 38 7J0	Luxor beige	-UZ					
(1)	991 555 994 38 OG6	Bordeaux red	-LZ	1	PR:9VJ,625, -538			
	991 555 994 38 6J0	Espresso	-NE					
	991 555 994 38 JHB	Black/Dark Silver	-TD					
	991 555 994 38	Door panel trim (leather)	right					
		two-colour						
	991 555 994 38 DTO	Black/Luxor Beige	-BT					
	991 555 994 38 GUG	Black/Bordeaux Red	-BM					
	991 555 994 38 GTG	Graphite Blue/Chalk	-BG,TG					
	991 555 994 38 GRG	Espresso/Cognac	-BY					
	(1)	991 555 993 40	Door panel trim (leather)			left lhd	1	PR:9VL,537, 625,098
(1)	991 555 993 40 A11	Black	-AZ	1	PR:9VL,537, 625,098			
	991 555 993 40 OA1	agate grey	-FZ					
	991 555 993 40 OH7	Graphite Blue	-HZ					
	991 555 993 40 OK6	saddle brown	-SZ					
	991 555 993 40 7J0	Luxor beige	-UZ					
	991 555 993 40 OG6	Bordeaux red	-LZ					
	991 555 993 40 6J0	Espresso	-NE					
	991 555 993 40 JHB	Black/Dark Silver	-TD					
	(1)	991 555 993 40	Door panel trim (leather)			left lhd	1	PR:9VL,537, 625,098
		two-colour						
(1)	991 555 993 40 DTO	Black/Luxor Beige	-BT	1	PR:9VL,538, 625,099			
	991 555 993 40 GUG	Black/Bordeaux Red	-BM					
	991 555 993 40 GTG	Graphite Blue/Chalk	-BG,TG					
	991 555 993 40 GRG	Espresso/Cognac	-BY					
	(1)	991 555 994 40	Door panel trim (leather)			right rhd	1	PR:9VL,538, 625,099
	(1)	991 555 994 40 A11	Black			-AZ	1	PR:9VL,538, 625,099
		991 555 994 40 OA1	agate grey			-FZ		
		991 555 994 40 OH7	Graphite Blue			-HZ		
		991 555 994 40 OK6	saddle brown			-SZ		
		991 555 994 40 7J0	Luxor beige			-UZ		
991 555 994 40 OG6		Bordeaux red	-LZ					
991 555 994 40 6J0		Espresso	-NE					
991 555 994 40 JHB		Black/Dark Silver	-TD					
(1)		991 555 994 40	Door panel trim (leather)	right rhd	1	PR:9VL,538, 625,099		
		two-colour						
(1)	991 555 994 40 DTO	Black/Luxor Beige	-BT	1	PR:9VJ,537, 625,098			
	991 555 994 40 GUG	Black/Bordeaux Red	-BM					
	991 555 994 40 GTG	Graphite Blue/Chalk	-BG,TG					
	991 555 994 40 GRG	Espresso/Cognac	-BY					
	(1)	991 555 993 41	Door panel trim (leather)			left lhd	1	PR:9VJ,537, 625,098
	(1)	991 555 993 41 A11	Black			-AZ	1	PR:9VJ,537, 625,098
		991 555 993 41 OA1	agate grey			-FZ		
		991 555 993 41 OH7	Graphite Blue			-HZ		
		991 555 993 41 OK6	saddle brown			-SZ		
		991 555 993 41 7J0	Luxor beige			-UZ		
991 555 993 41 OG6		Bordeaux red	-LZ					

Model: 991T13

Model life 2014>>

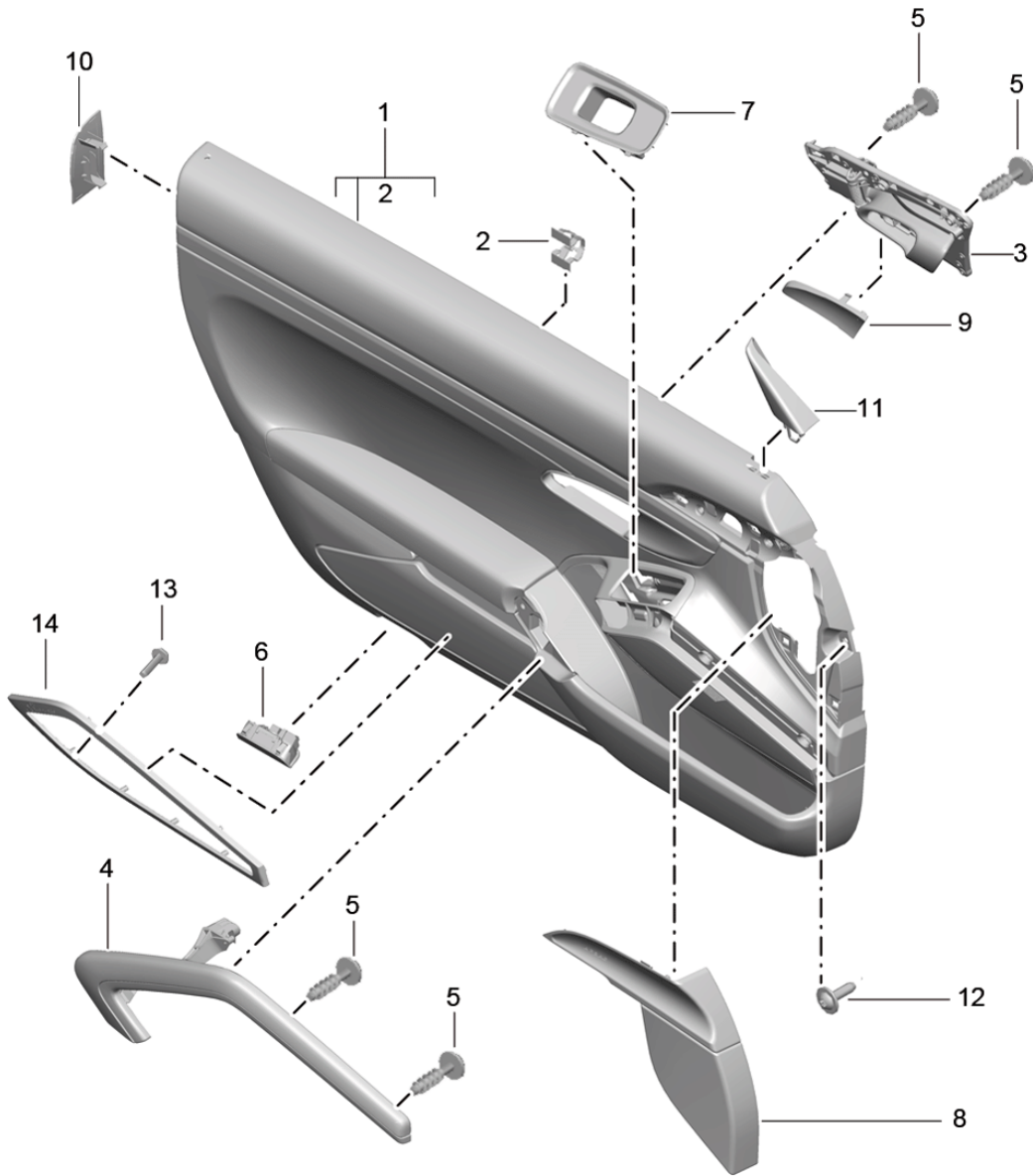
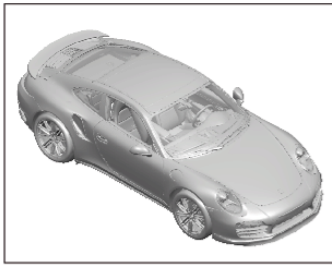
Pos	Part Number	Description	Remark	Qty	Model
(1)	991 555 993 41 6J0	Espresso	-NE	1	PR:9VJ,537, 625,098
	991 555 993 41 JHB	Black/Dark Silver	-TD		
(1)	991 555 993 41	Door panel trim (leather)	left lhd	1	PR:9VJ,538, 625,099
		two-colour			
	991 555 993 41 DTO	Black/Luxor Beige	-BT		
	991 555 993 41 GUG	Black/Bordeaux Red	-BM		
	991 555 993 41 GTG	Graphite Blue/Chalk	-BG,TG		
	991 555 993 41 GRG	Espresso/Cognac	-BY		
	991 555 994 41	Door panel trim (leather)	right rhd		
	991 555 994 41 A11	Black	-AZ		
	991 555 994 41 OA1	agate grey	-FZ		
	991 555 994 41 OH7	Graphite Blue	-HZ		
(1)	991 555 994 41 OK6	saddle brown	-SZ	1	PR:9VJ,538, 625,099
	991 555 994 41 7J0	Luxor beige	-UZ		
	991 555 994 41 OG6	Bordeaux red	-LZ		
	991 555 994 41 6J0	Espresso	-NE		
	991 555 994 41 JHB	Black/Dark Silver	-TD		
	991 555 994 41	Door panel trim (leather)	right rhd		
		two-colour			
	991 555 994 41 DTO	Black/Luxor Beige	-BT		
	991 555 994 41 GUG	Black/Bordeaux Red	-BM		
	991 555 994 41 GTG	Graphite Blue/Chalk	-BG,TG		
2	991 555 994 41 GRG	Espresso/Cognac	-BY	4	
	999 507 533 02	Clamp 8,0 X 10,0 /2,5			
3	991 555 521 02	Inner actuator	left	1	
	991 555 521 02 V08	Galvano silver			
(3)	991 555 522 02	Inner actuator	right	1	
	991 555 522 02 V08	Galvano silver			
4	991 555 533 00	Pull handle	left	1	
		Leather			
(4)	991 555 533 00 A11	Black	-AZ	1	
	991 555 533 00 OA1	agate grey	-FZ		
	991 555 533 00 OH7	Graphite Blue	-HZ		
	991 555 533 00 OK6	saddle brown	-SZ		
	991 555 533 00 7J0	Luxor beige	-UZ,BT		
	991 555 533 00 OG6	Bordeaux red	-LZ,BM		
	991 555 533 00 OL8	Chalk	-BG,TG		
	991 555 533 00 6J0	Espresso	-NE		
	991 555 533 00 7F0	Cognac	-BY		
	991 555 533 00 JHB	Black/Dark Silver	-TD		
	991 555 534 00	Pull handle (leather)	right		
	991 555 534 00 A11	Black	-AZ		
	991 555 534 00 OA1	agate grey	-FZ		
	991 555 534 00 OH7	Graphite Blue	-HZ		
	991 555 534 00 OK6	saddle brown	-SZ		
	991 555 534 00 7J0	Luxor beige	-UZ,BT		
	991 555 534 00 OG6	Bordeaux red	-LZ,BM		
	991 555 534 00 OL8	Chalk	-BG,TG		
5	991 555 534 00 6J0	Espresso	-NE	9	
	991 555 534 00 7F0	Cognac	-BY		
5	991 555 534 00 JHB	Black/Dark Silver	-TD	1	
	999 919 262 01	fillister hd. bolt 4,0 X 16,0			
6	970 632 135 00	Door warning light		2	
7	991 555 723 01	Mounting frame		1	
		Switch			
8	991 555 723 01 1E0	Black		1	
	991 555 721 02	Cover	left front		

Model: 991T13 Model life 2014>>

Pos	Part Number	Description	Remark	Qty	Model
	991 555 721 02 5Q0	Black	-AZ, BT, BM, TD		
	991 555 721 02 OA6	agate grey	-FZ		
	991 555 721 02 OH7	Graphite Blue	-HZ, BG, TG		
	991 555 721 02 OL7	saddle brown	-SZ		
	991 555 721 02 6W0	Luxor beige	-UZ		
	991 555 721 02 OG6	Bordeaux red	-LZ		
	991 555 721 02 3T0	Espresso	-NE, BY		
(8)	991 555 722 02	Cover	right	1	
			front		
	991 555 722 02 5Q0	Black	-AZ, BT, BM, TD		
	991 555 722 02 OA6	agate grey	-FZ		
	991 555 722 02 OH7	Graphite Blue	-HZ, BG, TG		
	991 555 722 02 OL7	saddle brown	-SZ		
	991 555 722 02 6W0	Luxor beige	-UZ		
	991 555 722 02 OG6	Bordeaux red	-LZ		
	991 555 722 02 3T0	Espresso	-NE, BY		
(9)	7PP 837 247	Cover panel	left	1	
		Inner actuator			
(9)	7PP 837 247 1E0	Black			
(9)	7PP 837 248	Cover panel	right	1	
		Inner actuator			
	7PP 837 248 1E0	Black			
10	991 555 683 01	cover for airbag	left	1	
	991 555 683 01 5Q0	Black	-AZ, BT, BM, TD		
	991 555 683 01 OA6	agate grey	-FZ		
	991 555 683 01 OH7	Graphite Blue	-HZ, BG, TG		
	991 555 683 01 OL7	saddle brown	-SZ		
	991 555 683 01 6W0	Luxor beige	-UZ		
	991 555 683 01 OG6	Bordeaux red	-LZ		
	991 555 683 01 3T0	Espresso	-NE, BY		
(10)	991 555 684 01	cover for airbag	right	1	
	991 555 684 01 5Q0	Black	-AZ, BT, BM, TD		
	991 555 684 01 OA6	agate grey	-FZ		
	991 555 684 01 OH7	Graphite Blue	-HZ, BG, TG		
	991 555 684 01 OL7	saddle brown	-SZ		
	991 555 684 01 6W0	Luxor beige	-UZ		
	991 555 684 01 OG6	Bordeaux red	-LZ		
	991 555 684 01 3T0	Espresso	-NE, BY		
11	991 555 741 00	Cover panel	left	1	
		window frame			
	991 555 741 00 1E0	Black			
(11)	991 555 742 00	Cover panel	right	1	
		window frame			
	991 555 742 00 1E0	Black			
12	999 073 322 02	fillister hd. bolt		8	
		M 6 X 20			
13	999 919 167 09	fillister hd. bolt		10	PR:9VJ
		M 3 X 10			
14	991 555 581 00	decorative frame	left	1	PR:9VJ
		Loudspeaker trim			
	991 555 581 00 V08	Galvano silver			
(14)	991 555 582 00	decorative frame	right	1	PR:9VJ
		Loudspeaker trim			
	991 555 582 00 V08	Galvano silver			

Model: 991T13

Model life 2014>>



Model: 991T13

Model life 2014>>

Pos	Part Number	Description	Remark	Qty	Model
		door panel Accessories Trim mahagoni D >> - MJ 2016			PR:XWB
1	991 555 913 19	Door panel trim (leather)	left lhd	1	PR:XWB,098, 680,981, -537,-625
	991 555 913 19 A11	Black	-AZ		
	991 555 913 19 9B0	Platinum Grey	-CZ		
	991 555 913 19 7J0	Luxor beige	-UZ		
	991 555 913 19 6A0	yachting blue	-EZ		
	991 555 913 19 OA1	agate grey	-DK		
	991 555 913 19 6J0	Espresso	-NE		
	991 555 913 19 N12	Carrera Red	-NG		
		two-colour			
	991 555 913 19 GEG	Black/Platinum Grey	-BR		
	991 555 913 19 GMG	Agate Grey/Pebble Grey	-BV		
	991 555 913 19 GRG	Espresso/Cognac	-BH		
	991 555 913 19 DTO	Black/Luxor Beige	-BL		
	991 555 913 19 DQW	Black/Carrera Red	-BA,BQ		
(1)	991 555 913 19	Door panel trim (leather)	left rhd	1	PR:XWB,099, 680,981,-625
	991 555 913 19 A11	Black	-AZ		
	991 555 913 19 9B0	Platinum Grey	-CZ		
	991 555 913 19 7J0	Luxor beige	-UZ		
	991 555 913 19 6A0	yachting blue	-EZ		
	991 555 913 19 OA1	agate grey	-DK		
	991 555 913 19 6J0	Espresso	-NE		
	991 555 913 19 N12	Carrera Red	-NG		
		two-colour			
	991 555 913 19 GEG	Black/Platinum Grey	-BR		
	991 555 913 19 GMG	Agate Grey/Pebble Grey	-BV		
	991 555 913 19 GRG	Espresso/Cognac	-BH		
	991 555 913 19 DTO	Black/Luxor Beige	-BL		
	991 555 913 19 DQW	Black/Carrera Red	-BA,BQ		
(1)	991 555 914 19	Door panel trim (leather)	right	1	PR:XWB,680, 981,-538, -625
	991 555 914 19 A11	Black	-AZ		
	991 555 914 19 9B0	Platinum Grey	-CZ		
	991 555 914 19 7J0	Luxor beige	-UZ		
	991 555 914 19 6A0	yachting blue	-EZ		
	991 555 914 19 OA1	agate grey	-DK		
	991 555 914 19 6J0	Espresso	-NE		
	991 555 914 19 N12	Carrera Red	-NG		
		two-colour			
	991 555 914 19 GEG	Black/Platinum Grey	-BR		
	991 555 914 19 GMG	Agate Grey/Pebble Grey	-BV		
	991 555 914 19 GRG	Espresso/Cognac	-BH		
	991 555 914 19 DTO	Black/Luxor Beige	-BL		
	991 555 914 19 DQW	Black/Carrera Red	-BA,BQ		
(1)	991 555 913 20	Door panel trim (leather)	left lhd	1	PR:XWB,098, 682,981, -537,-625
	991 555 913 20 A11	Black	-AZ		
	991 555 913 20 9B0	Platinum Grey	-CZ		
	991 555 913 20 7J0	Luxor beige	-UZ		
	991 555 913 20 6A0	yachting blue	-EZ		
	991 555 913 20 OA1	agate grey	-DK		
	991 555 913 20 6J0	Espresso	-NE		
	991 555 913 20 N12	Carrera Red	-NG		
		two-colour			



Model: 991T13

Model life 2014&gt;&gt;

Pos	Part Number	Description	Remark	Qty	Model
	991 555 913 20 GEG	Black/Platinum Grey	-BR		
	991 555 913 20 GMG	Agate Grey/Pebble Grey	-BV		
	991 555 913 20 GRG	Espresso/Cognac	-BH		
	991 555 913 20 DTO	Black/Luxor Beige	-BL		
	991 555 913 20 DQW	Black/Carrera Red	-BA,BQ		
(1)	991 555 913 20	Door panel trim (leather)	left rhd	1	PR:XWB,099, 682,981,-625
	991 555 913 20 A11	Black	-AZ		
	991 555 913 20 9B0	Platinum Grey	-CZ		
	991 555 913 20 7J0	Luxor beige	-UZ		
	991 555 913 20 6A0	yachting blue	-EZ		
	991 555 913 20 OA1	agate grey	-DK		
	991 555 913 20 6J0	Espresso	-NE		
	991 555 913 20 N12	Carrera Red	-NG		
		two-colour			
	991 555 913 20 GEG	Black/Platinum Grey	-BR		
	991 555 913 20 GMG	Agate Grey/Pebble Grey	-BV		
	991 555 913 20 GRG	Espresso/Cognac	-BH		
	991 555 913 20 DTO	Black/Luxor Beige	-BL		
	991 555 913 20 DQW	Black/Carrera Red	-BA,BQ		
(1)	991 555 914 20	Door panel trim (leather)	right	1	PR:XWB,682, 981,-538, -625
	991 555 914 20 A11	Black	-AZ		
	991 555 914 20 9B0	Platinum Grey	-CZ		
	991 555 914 20 7J0	Luxor beige	-UZ		
	991 555 914 20 6A0	yachting blue	-EZ		
	991 555 914 20 OA1	agate grey	-DK		
	991 555 914 20 6J0	Espresso	-NE		
	991 555 914 20 N12	Carrera Red	-NG		
		two-colour			
	991 555 914 20 GEG	Black/Platinum Grey	-BR		
	991 555 914 20 GMG	Agate Grey/Pebble Grey	-BV		
	991 555 914 20 GRG	Espresso/Cognac	-BH		
	991 555 914 20 DTO	Black/Luxor Beige	-BL		
	991 555 914 20 DQW	Black/Carrera Red	-BA,BQ		
(1)	991 555 913 22	Door panel trim (leather)	left lhd	1	PR:XWB,098, 537,680,981, -625
	991 555 913 22 A11	Black	-AZ		
	991 555 913 22 9B0	Platinum Grey	-CZ		
	991 555 913 22 7J0	Luxor beige	-UZ		
	991 555 913 22 6A0	yachting blue	-EZ		
	991 555 913 22 OA1	agate grey	-DK		
	991 555 913 22 6J0	Espresso	-NE		
	991 555 913 22 N12	Carrera Red	-NG		
		two-colour			
	991 555 913 22 GEG	Black/Platinum Grey	-BR		
	991 555 913 22 GMG	Agate Grey/Pebble Grey	-BV		
	991 555 913 22 GRG	Espresso/Cognac	-BH		
	991 555 913 22 DTO	Black/Luxor Beige	-BL		
	991 555 913 22 DQW	Black/Carrera Red	-BA,BQ		
(1)	991 555 914 22	Door panel trim (leather)	right	1	PR:XWB,538, 680,981,-625
	991 555 914 22 A11	Black	-AZ		
	991 555 914 22 9B0	Platinum Grey	-CZ		
	991 555 914 22 7J0	Luxor beige	-UZ		
	991 555 914 22 6A0	yachting blue	-EZ		
	991 555 914 22 OA1	agate grey	-DK		
	991 555 914 22 6J0	Espresso	-NE		
	991 555 914 22 N12	Carrera Red	-NG		
		two-colour			
	991 555 914 22 GEG	Black/Platinum Grey	-BR		

Model: 991T13 Model life 2014>>

Pos	Part Number	Description	Remark	Qty	Model
(1)	991 555 914 22 GMG	Agate Grey/Pebble Grey	-BV	1	PR: XWB, 098, 537, 682, 981, -625
	991 555 914 22 GRG	Espresso/Cognac	-BH		
	991 555 914 22 DTO	Black/Luxor Beige	-BL		
	991 555 914 22 DQW	Black/Carrera Red	-BA, BQ		
	991 555 913 23	Door panel trim (leather)	left lhd		
	991 555 913 23 A11	Black	-AZ		
	991 555 913 23 9B0	Platinum Grey	-CZ		
	991 555 913 23 7J0	Luxor beige	-UZ		
	991 555 913 23 6A0	yachting blue	-EZ		
	991 555 913 23 OA1	agate grey	-DK		
	991 555 913 23 6J0	Espresso	-NE		
	991 555 913 23 N12	Carrera Red two-colour	-NG		
	991 555 913 23 GEG	Black/Platinum Grey	-BR		
	991 555 913 23 GMG	Agate Grey/Pebble Grey	-BV		
(1)	991 555 913 23 GRG	Espresso/Cognac	-BH	1	PR: XWB, 538, 682, 981, -625
	991 555 913 23 DTO	Black/Luxor Beige	-BL		
	991 555 913 23 DQW	Black/Carrera Red	-BA, BQ		
	991 555 914 23	Door panel trim (leather)	right		
	991 555 914 23 A11	Black	-AZ		
	991 555 914 23 9B0	Platinum Grey	-CZ		
	991 555 914 23 7J0	Luxor beige	-UZ		
	991 555 914 23 6A0	yachting blue	-EZ		
	991 555 914 23 OA1	agate grey	-DK		
	991 555 914 23 6J0	Espresso	-NE		
	991 555 914 23 N12	Carrera Red two-colour	-NG		
	991 555 914 23 GEG	Black/Platinum Grey	-BR		
	991 555 914 23 GMG	Agate Grey/Pebble Grey	-BV		
	991 555 914 23 GRG	Espresso/Cognac	-BH		
(1)	991 555 914 23 DTO	Black/Luxor Beige	-BL	1	PR: XWB, 098, 625, 680, 981, -537
	991 555 914 23 DQW	Black/Carrera Red	-BA, BQ		
	991 555 913 49	Door panel trim (leather)	left lhd		
	991 555 913 49 A11	Black	-AZ		
	991 555 913 49 9B0	Platinum Grey	-CZ		
	991 555 913 49 7J0	Luxor beige	-UZ		
	991 555 913 49 6A0	yachting blue	-EZ		
	991 555 913 49 OA1	agate grey	-DK		
	991 555 913 49 6J0	Espresso	-NE		
	991 555 913 49 N12	Carrera Red two-colour	-NG		
	991 555 913 49 GEG	Black/Platinum Grey	-BR		
	991 555 913 49 GMG	Agate Grey/Pebble Grey	-BV		
	991 555 913 49 GRG	Espresso/Cognac	-BH		
	991 555 913 49 DTO	Black/Luxor Beige	-BL		
(1)	991 555 913 49 DQW	Black/Carrera Red	-BA	1	PR: XWB, 099, 625, 680, 981
	991 555 913 49	Door panel trim (leather)	left rhd		
	991 555 913 49 A11	Black	-AZ		
	991 555 913 49 9B0	Platinum Grey	-CZ		
	991 555 913 49 7J0	Luxor beige	-UZ		
	991 555 913 49 6A0	yachting blue	-EZ		
	991 555 913 49 OA1	agate grey	-DK		
	991 555 913 49 6J0	Espresso	-NE		
	991 555 913 49 N12	Carrera Red two-colour	-NG		
	991 555 913 49 GEG	Black/Platinum Grey	-BR		
	991 555 913 49 GMG	Agate Grey/Pebble Grey	-BV		

Model: 991T13 Model life 2014>>

Pos	Part Number	Description	Remark	Qty	Model
(1)	991 555 913 49 GRG	Espresso/Cognac	-BH	1	PR:XWB,625, 680,981,-538
	991 555 913 49 DTO	Black/Luxor Beige	-BL		
	991 555 913 49 DQW	Black/Carrera Red	-BA,BQ		
	991 555 914 49	Door panel trim (leather)	right		
	991 555 914 49 A11	Black	-AZ		
	991 555 914 49 9B0	Platinum Grey	-CZ		
	991 555 914 49 7J0	Luxor beige	-UZ		
	991 555 914 49 6A0	yachting blue	-EZ		
	991 555 914 49 OA1	agate grey	-DK		
	991 555 914 49 6J0	Espresso	-NE		
	991 555 914 49 N12	Carrera Red	-NG		
	991 555 914 49 GEG	Black/Platinum Grey	-BR		
	991 555 914 49 GMG	Agate Grey/Pebble Grey	-BV		
	(1)	991 555 914 49 GRG	Espresso/Cognac		
991 555 914 49 DTO		Black/Luxor Beige	-BL		
991 555 914 49 DQW		Black/Carrera Red	-BA,BQ		
991 555 913 50		Door panel trim (leather)	left lhd		
991 555 913 50 A11		Black	-AZ		
991 555 913 50 9B0		Platinum Grey	-CZ		
991 555 913 50 7J0		Luxor beige	-UZ		
991 555 913 50 6A0		yachting blue	-EZ		
991 555 913 50 OA1		agate grey	-DK		
991 555 913 50 6J0		Espresso	-NE		
991 555 913 50 N12		Carrera Red	-NG		
991 555 913 50 GEG		Black/Platinum Grey	-BR		
991 555 913 50 GMG		Agate Grey/Pebble Grey	-BV		
(1)		991 555 913 50 GRG	Espresso/Cognac	-BH	1
	991 555 913 50 DTO	Black/Luxor Beige	-BL		
	991 555 913 50 DQW	Black/Carrera Red	-BA,BQ		
	991 555 913 50	Door panel trim (leather)	left rhd		
	991 555 913 50 A11	Black	-AZ		
	991 555 913 50 9B0	Platinum Grey	-CZ		
	991 555 913 50 7J0	Luxor beige	-UZ		
	991 555 913 50 6A0	yachting blue	-EZ		
	991 555 913 50 OA1	agate grey	-DK		
	991 555 913 50 6J0	Espresso	-NE		
	991 555 913 50 N12	Carrera Red	-NG		
	991 555 913 50 GEG	Black/Platinum Grey	-BR		
	991 555 913 50 GMG	Agate Grey/Pebble Grey	-BV		
	(1)	991 555 913 50 GRG	Espresso/Cognac	-BH	
991 555 913 50 DTO		Black/Luxor Beige	-BL		
991 555 913 50 DQW		Black/Carrera Red	-BA,BQ		
991 555 914 50		Door panel trim (leather)	right		
991 555 914 50 A11		Black	-AZ		
991 555 914 50 9B0		Platinum Grey	-CZ		
991 555 914 50 7J0		Luxor beige	-UZ		
991 555 914 50 6A0		yachting blue	-EZ		
991 555 914 50 OA1		agate grey	-DK		
991 555 914 50 6J0		Espresso	-NE		
991 555 914 50 N12		Carrera Red	-NG		
991 555 914 50 GEG		Black/Platinum Grey	-BR		
991 555 914 50 GMG		Agate Grey/Pebble Grey	-BV		
(1)		991 555 914 50 GRG	Espresso/Cognac	-BH	1
	991 555 914 50 DTO	Black/Luxor Beige	-BL		

Model: 991T13 Model life 2014>>

Pos	Part Number	Description	Remark	Qty	Model
(1)	991 555 914 50 DQW	Black/Carrera Red	-BA,BQ		
	991 555 913 52	Door panel trim (leather)	left lhd	1	PR:XWB,098, 537,625,680, 981
	991 555 913 52 A11	Black	-AZ		
	991 555 913 52 9B0	Platinum Grey	-CZ		
	991 555 913 52 7J0	Luxor beige	-UZ		
	991 555 913 52 6A0	yachting blue	-EZ		
	991 555 913 52 OA1	agate grey	-DK		
	991 555 913 52 6J0	Espresso	-NE		
	991 555 913 52 N12	Carrera Red	-NG		
		two-colour			
	991 555 913 52 GEG	Black/Platinum Grey	-BR		
	991 555 913 52 GMG	Agate Grey/Pebble Grey	-BV		
	991 555 913 52 GRG	Espresso/Cognac	-BH		
	991 555 913 52 DTO	Black/Luxor Beige	-BL		
(1)	991 555 913 52 DQW	Black/Carrera Red	-BA,BQ		
	991 555 914 52	Door panel trim (leather)	right	1	PR:XWB,538, 625,680,981
	991 555 914 52 A11	Black	-AZ		
	991 555 914 52 9B0	Platinum Grey	-CZ		
	991 555 914 52 7J0	Luxor beige	-UZ		
	991 555 914 52 6A0	yachting blue	-EZ		
	991 555 914 52 OA1	agate grey	-DK		
	991 555 914 52 6J0	Espresso	-NE		
	991 555 914 52 N12	Carrera Red	-NG		
		two-colour			
	991 555 914 52 GEG	Black/Platinum Grey	-BR		
	991 555 914 52 GMG	Agate Grey/Pebble Grey	-BV		
	991 555 914 52 GRG	Espresso/Cognac	-BH		
	991 555 914 52 DTO	Black/Luxor Beige	-BL		
(1)	991 555 914 52 DQW	Black/Carrera Red	-BA,BQ		
	991 555 913 53	Door panel trim (leather)	left lhd	1	PR:XWB,098, 537,625,682, 981
	991 555 913 53 A11	Black	-AZ		
	991 555 913 53 9B0	Platinum Grey	-CZ		
	991 555 913 53 7J0	Luxor beige	-UZ		
	991 555 913 53 6A0	yachting blue	-EZ		
	991 555 913 53 OA1	agate grey	-DK		
	991 555 913 53 6J0	Espresso	-NE		
	991 555 913 53 N12	Carrera Red	-NG		
		two-colour			
	991 555 913 53 GEG	Black/Platinum Grey	-BR		
	991 555 913 53 GMG	Agate Grey/Pebble Grey	-BV		
	991 555 913 53 GRG	Espresso/Cognac	-BH		
	991 555 913 53 DTO	Black/Luxor Beige	-BL		
(1)	991 555 913 53 DQW	Black/Carrera Red	-BA,BQ		
	991 555 914 53	Door panel trim (leather)	right	1	PR:XWB,538, 625,682,981
	991 555 914 53 A11	Black	-AZ		
	991 555 914 53 9B0	Platinum Grey	-CZ		
	991 555 914 53 7J0	Luxor beige	-UZ		
	991 555 914 53 6A0	yachting blue	-EZ		
	991 555 914 53 OA1	agate grey	-DK		
	991 555 914 53 6J0	Espresso	-NE		
	991 555 914 53 N12	Carrera Red	-NG		
		two-colour			
	991 555 914 53 GEG	Black/Platinum Grey	-BR		
	991 555 914 53 GMG	Agate Grey/Pebble Grey	-BV		
	991 555 914 53 GRG	Espresso/Cognac	-BH		
	991 555 914 53 DTO	Black/Luxor Beige	-BL		
(1)	991 555 914 53 DQW	Black/Carrera Red	-BA,BQ		

Model: 991T13 Model life 2014>>

Pos	Part Number	Description	Remark	Qty	Model
2	999 507 533 02	Clamp 8,0 X 10,0 /2,5		4	
3	991 555 521 02	Inner actuator	left	1	
(3)	991 555 521 02 V08	Galvano silver			
	991 555 522 02	Inner actuator	right	1	
4	991 555 522 02 V08	Galvano silver			
	991 555 533 00	Pull handle	left	1	
		Leather			
	991 555 533 00 A11	Black	-AZ		
	991 555 533 00 9B0	Platinum Grey	-CZ, BR		
	991 555 533 00 7J0	Luxor beige	-UZ, BL		
	991 555 533 00 6A0	yachting blue	-EZ		
	991 555 533 00 OA1	agate grey	-DK		
	991 555 533 00 OD4	flint grey	-BV		
	991 555 533 00 6J0	Espresso	-NE		
	991 555 533 00 N12	Carrera Red	-NG, BA, BQ		
	991 555 533 00 7F0	Cognac	-BH		
4	991 555 534 00	Pull handle (leather)	right	1	
	991 555 534 00 A11	Black	-AZ		
	991 555 534 00 9B0	Platinum Grey	-CZ, BR		
	991 555 534 00 7J0	Luxor beige	-UZ, BL		
	991 555 534 00 6A0	yachting blue	-EZ		
	991 555 534 00 OA1	agate grey	-DK		
	991 555 534 00 OD4	flint grey	-BV		
	991 555 534 00 6J0	Espresso	-NE		
	991 555 534 00 N12	Carrera Red	-NG, BA, BQ		
	991 555 534 00 7F0	Cognac	-BH		
5	999 919 262 01	fillister hd. bolt 4,0 X 16,0		9	
6	970 632 135 00	Door warning light		2	
7	991 555 723 01	Mounting frame		1	
		Switch			
	991 555 723 01 1E0	Black			
8	991 555 721 00	Cover	left	1	
			front		
	991 555 721 00 1E0	Black	-AZ, BR, BL, BA, BQ		
	991 555 721 00 6L0	Platinum Grey	-CZ		
	991 555 721 00 4H0	Luxor beige	-UZ		
	991 555 721 00 2F0	yachting blue	-EZ		
	991 555 721 00 OP1	agate grey	-DK, BV		
	991 555 721 00 7N0	Espresso	-NE		
	991 555 721 00 OW5	Carrera Red	-NG		
8	991 555 722 00	Cover	right	1	
			front		
	991 555 722 00 1E0	Black	-AZ, BR, BL, BA, BQ		
	991 555 722 00 6L0	Platinum Grey	-CZ		
	991 555 722 00 4H0	Luxor beige	-UZ		
	991 555 722 00 2F0	yachting blue	-EZ		
	991 555 722 00 OP1	agate grey	-DK, BV		
	991 555 722 00 7N0	Espresso	-NE		
	991 555 722 00 OW5	Carrera Red	-NG		
(9)	7PP 837 247	Cover panel	left	1	
		Inner actuator			
	7PP 837 247 1E0	Black			
(9)	7PP 837 248	Cover panel	right	1	
		Inner actuator			
	7PP 837 248 1E0	Black			
10	991 555 683 00	cover for airbag	left	1	
	991 555 683 00 1E0	Black	-AZ, BR, BL, BA, BQ		
	991 555 683 00 6L0	Platinum Grey	-CZ		

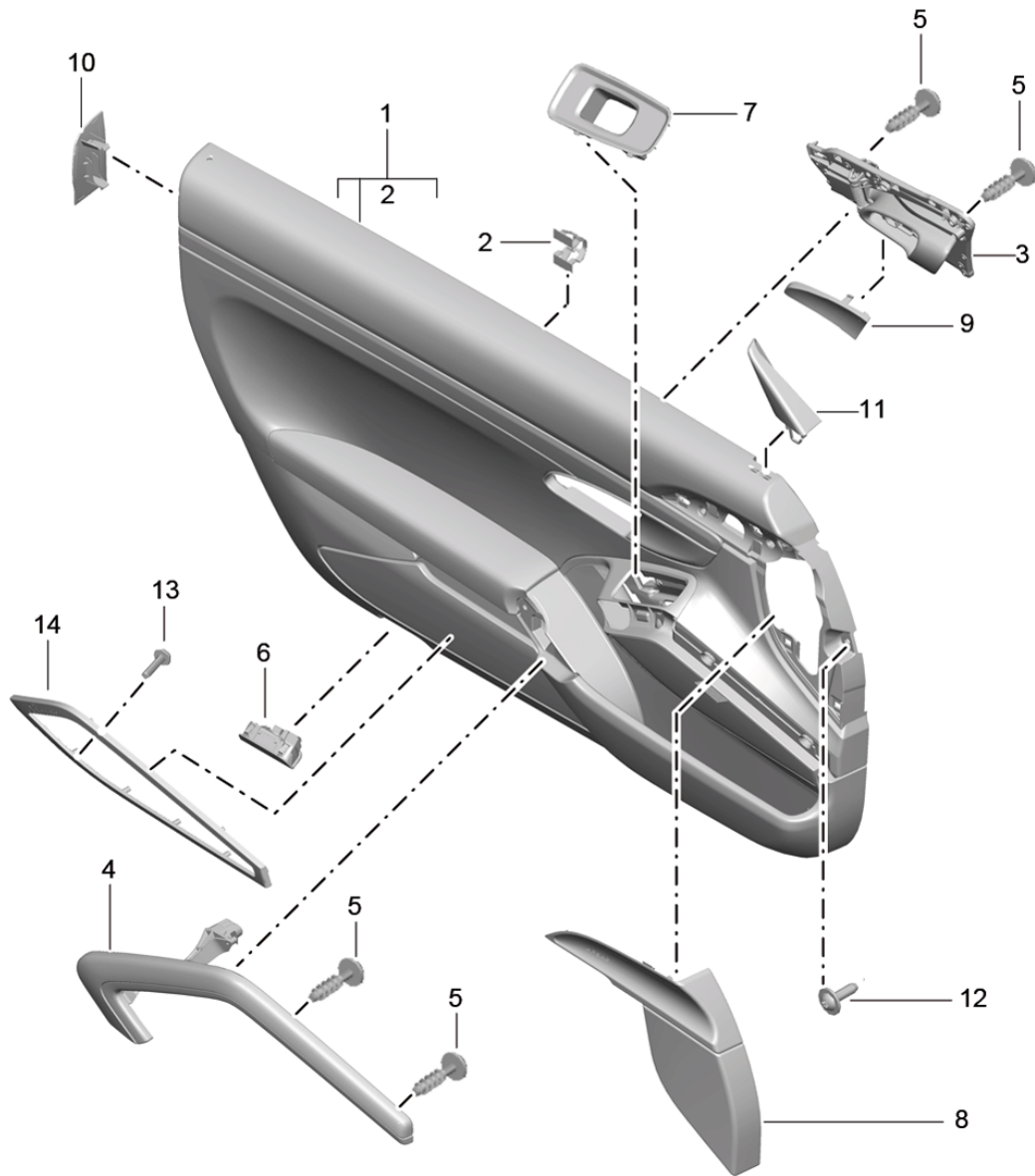
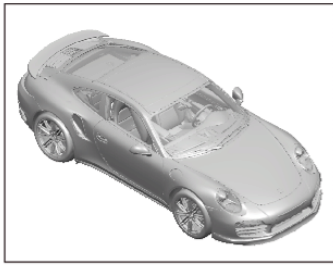
Model: 991T13

Model life 2014>>

Pos	Part Number	Description	Remark	Qty	Model
	991 555 683 00 4H0	Luxor beige	-UZ		
	991 555 683 00 2F0	yachting blue	-EZ		
	991 555 683 00 OP1	agate grey	-DK,BV		
	991 555 683 00 7N0	Espresso	-NE		
	991 555 683 00 OW5	Carrera Red	-NG		
(10)	991 555 683 01	cover for airbag	left	1	
	991 555 683 01 5Q0	Black	-AZ, BR, BL, BA, BQ		
	991 555 683 01 4U0	Platinum Grey	-CZ		
	991 555 683 01 6W0	Luxor beige	-UZ		
	991 555 683 01 8Y0	yachting blue	-EZ		
	991 555 683 01 OA6	agate grey	-DK,BV		
	991 555 683 01 3T0	Espresso	-NE		
	991 555 683 01 OE1	Carrera Red	-NG		
(10)	991 555 684 00	cover for airbag	right	1	
	991 555 684 00 1E0	Black	-AZ, BR, BL, BA, BQ		
	991 555 684 00 6L0	Platinum Grey	-CZ		
	991 555 684 00 4H0	Luxor beige	-UZ		
	991 555 684 00 2F0	yachting blue	-EZ		
	991 555 684 00 OP1	agate grey	-DK,BV		
	991 555 684 00 7N0	Espresso	-NE		
	991 555 684 00 OW5	Carrera Red	-NG		
11	991 555 741 00	Cover panel window frame	left	1	
	991 555 741 00 1E0	Black			
(11)	991 555 742 00	Cover panel window frame	right	1	
	991 555 742 00 1E0	Black			
12	999 073 322 02	fillister hd. bolt M 6 X 20		8	
13	999 919 167 09	fillister hd. bolt M 3 X 10		10	PR:682
14	991 555 581 00	decorative frame Loudspeaker trim	left	1	PR:682
	991 555 581 00 V08	Galvano silver			
(14)	991 555 582 00	decorative frame Loudspeaker trim	right	1	PR:682
	991 555 582 00 V08	Galvano silver			

Model: 991T13

Model life 2014>>



Model: 991T13

Model life 2014>>

Pos	Part Number	Description	Remark	Qty	Model
		door panel Accessories Trim mahagoni D >> - MJ 2016			PR:XWB,788
1	991 555 993 19	Door panel trim (leather)	left lhd	1	PR:XWB,098, 680,981, -537,-625
	991 555 993 19 A11	Black	-AZ		
	991 555 993 19 9B0	Platinum Grey	-CZ		
	991 555 993 19 7J0	Luxor beige	-UZ		
	991 555 993 19 6A0	yachting blue	-EZ		
	991 555 993 19 OA1	agate grey	-DK		
	991 555 993 19 6J0	Espresso	-NE		
	991 555 993 19 N12	Carrera Red	-NG		
		two-colour			
	991 555 993 19 GEG	Black/Platinum Grey	-BR		
	991 555 993 19 GMG	Agate Grey/Pebble Grey	-BV		
	991 555 993 19 GRG	Espresso/Cognac	-BH		
	991 555 993 19 DTO	Black/Luxor Beige	-BL		
	991 555 993 19 DQW	Black/Carrera Red	-BA,BQ		
(1)	991 555 993 19	Door panel trim (leather)	left rhd	1	PR:XWB,099, 680,981,-625
	991 555 993 19 A11	Black	-AZ		
	991 555 993 19 9B0	Platinum Grey	-CZ		
	991 555 993 19 7J0	Luxor beige	-UZ		
	991 555 993 19 6A0	yachting blue	-EZ		
	991 555 993 19 OA1	agate grey	-DK		
	991 555 993 19 6J0	Espresso	-NE		
	991 555 993 19 N12	Carrera Red	-NG		
		two-colour			
	991 555 993 19 GEG	Black/Platinum Grey	-BR		
	991 555 993 19 GMG	Agate Grey/Pebble Grey	-BV		
	991 555 993 19 GRG	Espresso/Cognac	-BH		
	991 555 993 19 DTO	Black/Luxor Beige	-BL		
	991 555 993 19 DQW	Black/Carrera Red	-BA,BQ		
(1)	991 555 994 19	Door panel trim (leather)	right	1	PR:XWB,680, 981,-538, -625
	991 555 994 19 A11	Black	-AZ		
	991 555 994 19 9B0	Platinum Grey	-CZ		
	991 555 994 19 7J0	Luxor beige	-UZ		
	991 555 994 19 6A0	yachting blue	-EZ		
	991 555 994 19 OA1	agate grey	-DK		
	991 555 994 19 6J0	Espresso	-NE		
	991 555 994 19 N12	Carrera Red	-NG		
		two-colour			
	991 555 994 19 GEG	Black/Platinum Grey	-BR		
	991 555 994 19 GMG	Agate Grey/Pebble Grey	-BV		
	991 555 994 19 GRG	Espresso/Cognac	-BH		
	991 555 994 19 DTO	Black/Luxor Beige	-BL		
	991 555 994 19 DQW	Black/Carrera Red	-BA,BQ		
(1)	991 555 993 20	Door panel trim (leather)	left lhd	1	PR:XWB,098, 682,981, -537,-625
	991 555 993 20 A11	Black	-AZ		
	991 555 993 20 9B0	Platinum Grey	-CZ		
	991 555 993 20 7J0	Luxor beige	-UZ		
	991 555 993 20 6A0	yachting blue	-EZ		
	991 555 993 20 OA1	agate grey	-DK		
	991 555 993 20 6J0	Espresso	-NE		
	991 555 993 20 N12	Carrera Red	-NG		
		two-colour			



Model: 991T13

Model life 2014>>

Pos	Part Number	Description	Remark	Qty	Model
(1)	991 555 993 20 GEG	Black/Platinum Grey	-BR	1	PR:XWB,099, 682,981,-625
	991 555 993 20 GMG	Agate Grey/Pebble Grey	-BV		
	991 555 993 20 GRG	Espresso/Cognac	-BH		
	991 555 993 20 DTO	Black/Luxor Beige	-BL		
	991 555 993 20 DQW	Black/Carrera Red	-BA,BQ		
	991 555 993 20	Door panel trim (leather)	left rhd		
	991 555 993 20 A11	Black	-AZ		
	991 555 993 20 9B0	Platinum Grey	-CZ		
	991 555 993 20 7J0	Luxor beige	-UZ		
	991 555 993 20 6A0	yachting blue	-EZ		
	991 555 993 20 OA1	agate grey	-DK		
	991 555 993 20 6J0	Espresso	-NE		
	991 555 993 20 N12	Carrera Red	-NG		
	991 555 993 20 GEG	Black/Platinum Grey	-BR		
(1)	991 555 993 20 GMG	Agate Grey/Pebble Grey	-BV	1	PR:XWB,682, 981,-538, -625
	991 555 993 20 GRG	Espresso/Cognac	-BH		
	991 555 993 20 DTO	Black/Luxor Beige	-BL		
	991 555 993 20 DQW	Black/Carrera Red	-BA,BQ		
	991 555 994 20	Door panel trim (leather)	right		
	991 555 994 20 A11	Black	-AZ		
	991 555 994 20 9B0	Platinum Grey	-CZ		
	991 555 994 20 7J0	Luxor beige	-UZ		
	991 555 994 20 6A0	yachting blue	-EZ		
	991 555 994 20 OA1	agate grey	-DK		
	991 555 994 20 6J0	Espresso	-NE		
	991 555 994 20 N12	Carrera Red	-NG		
	991 555 994 20 GEG	Black/Platinum Grey	-BR		
	991 555 994 20 GMG	Agate Grey/Pebble Grey	-BV		
(1)	991 555 994 20 GRG	Espresso/Cognac	-BH	1	PR:XWB,098, 537,680,981, -625
	991 555 994 20 DTO	Black/Luxor Beige	-BL		
	991 555 994 20 DQW	Black/Carrera Red	-BA,BQ		
	991 555 993 22	Door panel trim (leather)	left lhd		
	991 555 993 22 A11	Black	-AZ		
	991 555 993 22 9B0	Platinum Grey	-CZ		
	991 555 993 22 7J0	Luxor beige	-UZ		
	991 555 993 22 6A0	yachting blue	-EZ		
	991 555 993 22 OA1	agate grey	-DK		
	991 555 993 22 6J0	Espresso	-NE		
	991 555 993 22 N12	Carrera Red	-NG		
	991 555 993 22 GEG	Black/Platinum Grey	-BR		
	991 555 993 22 GMG	Agate Grey/Pebble Grey	-BV		
	(1)	991 555 993 22 GRG	Espresso/Cognac		
991 555 993 22 DTO		Black/Luxor Beige	-BL		
991 555 993 22 DQW		Black/Carrera Red	-BA,BQ		
991 555 994 22		Door panel trim (leather)	right		
991 555 994 22 A11		Black	-AZ		
991 555 994 22 9B0		Platinum Grey	-CZ		
991 555 994 22 7J0		Luxor beige	-UZ		
991 555 994 22 6A0		yachting blue	-EZ		
991 555 994 22 OA1		agate grey	-DK		
991 555 994 22 6J0		Espresso	-NE		
991 555 994 22 N12		Carrera Red	-NG		
991 555 994 22 GEG		Black/Platinum Grey	-BR		

Model: 991T13

Model life 2014>>

Pos	Part Number	Description	Remark	Qty	Model
(1)	991 555 994 22 GMG	Agate Grey/Pebble Grey	-BV	1	PR: XWB, 098, 537, 682, 981, -625
	991 555 994 22 GRG	Espresso/Cognac	-BH		
	991 555 994 22 DTO	Black/Luxor Beige	-BL		
	991 555 994 22 DQW	Black/Carrera Red	-BA, BQ		
	991 555 993 23	Door panel trim (leather)	left lhd		
	991 555 993 23 A11	Black	-AZ		
	991 555 993 23 9B0	Platinum Grey	-CZ		
	991 555 993 23 7J0	Luxor beige	-UZ		
	991 555 993 23 6A0	yachting blue	-EZ		
	991 555 993 23 OA1	agate grey	-DK		
	991 555 993 23 6J0	Espresso	-NE		
	991 555 993 23 N12	Carrera Red	-NG		
	991 555 993 23 GEG	Black/Platinum Grey	-BR		
	991 555 993 23 GMG	Agate Grey/Pebble Grey	-BV		
(1)	991 555 993 23 GRG	Espresso/Cognac	-BH	1	PR: XWB, 538, 682, 981, -625
	991 555 993 23 DTO	Black/Luxor Beige	-BL		
	991 555 993 23 DQW	Black/Carrera Red	-BA, BQ		
	991 555 994 23	Door panel trim (leather)	right		
	991 555 994 23 A11	Black	-AZ		
	991 555 994 23 9B0	Platinum Grey	-CZ		
	991 555 994 23 7J0	Luxor beige	-UZ		
	991 555 994 23 6A0	yachting blue	-EZ		
	991 555 994 23 OA1	agate grey	-DK		
	991 555 994 23 6J0	Espresso	-NE		
	991 555 994 23 N12	Carrera Red	-NG		
	991 555 994 23 GEG	Black/Platinum Grey	-BR		
	991 555 994 23 GMG	Agate Grey/Pebble Grey	-BV		
	991 555 994 23 GRG	Espresso/Cognac	-BH		
(1)	991 555 994 23 DTO	Black/Luxor Beige	-BL	1	PR: XWB, 098, 680, 625, 981, -537
	991 555 994 23 DQW	Black/Carrera Red	-BA, BQ		
	991 555 993 49	Door panel trim (leather)	left lhd		
	991 555 993 49 A11	Black	-AZ		
	991 555 993 49 9B0	Platinum Grey	-CZ		
	991 555 993 49 7J0	Luxor beige	-UZ		
	991 555 993 49 6A0	yachting blue	-EZ		
	991 555 993 49 OA1	agate grey	-DK		
	991 555 993 49 6J0	Espresso	-NE		
	991 555 993 49 N12	Carrera Red	-NG		
	991 555 993 49 GEG	Black/Platinum Grey	-BR		
	991 555 993 49 GMG	Agate Grey/Pebble Grey	-BV		
	991 555 993 49 GRG	Espresso/Cognac	-BH		
	991 555 993 49 DTO	Black/Luxor Beige	-BL		
(1)	991 555 993 49 DQW	Black/Carrera Red	-BA, BQ	1	PR: XWB, 099, 680, 625, 981
	991 555 993 49	Door panel trim (leather)	left rhd		
	991 555 993 49 A11	Black	-AZ		
	991 555 993 49 9B0	Platinum Grey	-CZ		
	991 555 993 49 7J0	Luxor beige	-UZ		
	991 555 993 49 6A0	yachting blue	-EZ		
	991 555 993 49 OA1	agate grey	-DK		
	991 555 993 49 6J0	Espresso	-NE		
	991 555 993 49 N12	Carrera Red	-NG		
	991 555 993 49 GEG	Black/Platinum Grey	-BR		
	991 555 993 49 GMG	Agate Grey/Pebble Grey	-BV		

Model: 991T13

Model life 2014>>

Pos	Part Number	Description	Remark	Qty	Model
(1)	991 555 993 49 GRG	Espresso/Cognac	-BH	1	PR:XWB,680, 625,981,-538
	991 555 993 49 DTO	Black/Luxor Beige	-BL		
	991 555 993 49 DQW	Black/Carrera Red	-BA,BQ		
	991 555 994 49	Door panel trim (leather)	right		
	991 555 994 49 A11	Black	-AZ		
	991 555 994 49 9B0	Platinum Grey	-CZ		
	991 555 994 49 7J0	Luxor beige	-UZ		
	991 555 994 49 6A0	yachting blue	-EZ		
	991 555 994 49 OA1	agate grey	-DK		
	991 555 994 49 6J0	Espresso	-NE		
	991 555 994 49 N12	Carrera Red	-BV		
		two-colour			
991 555 994 49 GEG	Black/Platinum Grey	-BR			
991 555 994 49 GMG	Agate Grey/Pebble Grey	-BV			
991 555 994 49 GRG	Espresso/Cognac	-BH			
991 555 994 49 DTO	Black/Luxor Beige	-BL			
991 555 994 49 DQW	Black/Carrera Red	-BA,BQ			
(1)	991 555 993 50	Door panel trim (leather)	left lhd	1	PR:XWB,098, 682,625,981, -537
(1)	991 555 993 50 A11	Black	-AZ	1	PR:XWB,099, 682,625,981
	991 555 993 50 9B0	Platinum Grey	-CZ		
	991 555 993 50 7J0	Luxor beige	-UZ		
	991 555 993 50 6A0	yachting blue	-EZ		
	991 555 993 50 OA1	agate grey	-DK		
	991 555 993 50 6J0	Espresso	-NE		
	991 555 993 50 N12	Carrera Red	-NG		
		two-colour			
	991 555 993 50 GEG	Black/Platinum Grey	-BR		
	991 555 993 50 GMG	Agate Grey/Pebble Grey	-BV		
	991 555 993 50 GRG	Espresso/Cognac	-BH		
	991 555 993 50 DTO	Black/Luxor Beige	-BL		
991 555 993 50 DQW	Black/Carrera Red	-BA,BQ			
(1)	991 555 993 50	Door panel trim (leather)	left rhd	1	PR:XWB,099, 682,625,981
(1)	991 555 993 50 A11	Black	-AZ	1	PR:XWB,682, 625,981,-538
	991 555 993 50 9B0	Platinum Grey	-CZ		
	991 555 993 50 7J0	Luxor beige	-UZ		
	991 555 993 50 6A0	yachting blue	-EZ		
	991 555 993 50 OA1	agate grey	-DK		
	991 555 993 50 6J0	Espresso	-NE		
	991 555 993 50 N12	Carrera Red	-NG		
		two-colour			
	991 555 993 50 GEG	Black/Platinum Grey	-BR		
	991 555 993 50 GMG	Agate Grey/Pebble Grey	-BV		
	991 555 993 50 GRG	Espresso/Cognac	-BH		
	991 555 993 50 DTO	Black/Luxor Beige	-BL		
991 555 993 50 DQW	Black/Carrera Red	-BA,BQ			
(1)	991 555 994 50	Door panel trim (leather)	right	1	PR:XWB,682, 625,981,-538
(1)	991 555 994 50 A11	Black	-AZ	1	PR:XWB,682, 625,981,-538
	991 555 994 50 9B0	Platinum Grey	-CZ		
	991 555 994 50 7J0	Luxor beige	-UZ		
	991 555 994 50 6A0	yachting blue	-EZ		
	991 555 994 50 OA1	agate grey	-DK		
	991 555 994 50 6J0	Espresso	-NE		
	991 555 994 50 N12	Carrera Red	-NG		
		two-colour			
	991 555 994 50 GEG	Black/Platinum Grey	-BR		
	991 555 994 50 GMG	Agate Grey/Pebble Grey	-BV		
	991 555 994 50 GRG	Espresso/Cognac	-BH		
	991 555 994 50 DTO	Black/Luxor Beige	-BL		

Model: 991T13

Model life 2014>>

Pos	Part Number	Description	Remark	Qty	Model
(1)	991 555 994 50 DQW 991 555 993 52	Black/Carrera Red Door panel trim (leather)	-BA,BQ left lhd	1	PR:XWB,098, 537,625,680, 981
	991 555 993 52 A11 991 555 993 52 9B0 991 555 993 52 7J0 991 555 993 52 6A0 991 555 993 52 OA1 991 555 993 52 6J0 991 555 993 52 N12	Black Platinum Grey Luxor beige yachting blue agate grey Espresso Carrera Red two-colour	-AZ -CZ -UZ -EZ -DK -NE -NG		
	991 555 993 52 GEG 991 555 993 52 GMG 991 555 993 52 GRG 991 555 993 52 DTO	Black/Platinum Grey Agate Grey/Pebble Grey Espresso/Cognac Black/Luxor Beige	-BR -BV -BH -BL		
(1)	991 555 993 52 DQW 991 555 994 52	Black/Carrera Red Door panel trim (leather)	-BA,BQ right	1	PR:XWB,538, 625,680,981
	991 555 994 52 A11 991 555 994 52 9B0 991 555 994 52 7J0 991 555 994 52 6A0 991 555 994 52 OA1 991 555 994 52 6J0 991 555 994 52 N12	Black Platinum Grey Luxor beige yachting blue agate grey Espresso Carrera Red two-colour	-AZ -CZ -UZ -EZ -DK -NE -NG		
	991 555 994 52 GEG 991 555 994 52 GMG 991 555 994 52 GRG 991 555 994 52 DTO	Black/Platinum Grey Agate Grey/Pebble Grey Espresso/Cognac Black/Luxor Beige	-BR -BV -BH -BL		
(1)	991 555 994 52 DQW 991 555 993 53	Black/Carrera Red Door panel trim (leather)	-BA,BQ left lhd	1	PR:XWB,098, 537,625,682, 981
	991 555 993 53 A11 991 555 993 53 9B0 991 555 993 53 7J0 991 555 993 53 6A0 991 555 993 53 OA1 991 555 993 53 6J0 991 555 993 53 N12	Black Platinum Grey Luxor beige yachting blue agate grey Espresso Carrera Red two-colour	-AZ -CZ -UZ -EZ -DK -NE -NG		
	991 555 993 53 GEG 991 555 993 53 GMG 991 555 993 53 GRG 991 555 993 53 DTO	Black/Platinum Grey Agate Grey/Pebble Grey Espresso/Cognac Black/Luxor Beige	-BR -BV -BH -BL		
(1)	991 555 993 53 DQW 991 555 994 53	Black/Carrera Red Door panel trim (leather)	-BA,BQ right	1	PR:XWB,538, 625,682,981
	991 555 994 53 A11 991 555 994 53 9B0 991 555 994 53 7J0 991 555 994 53 6A0 991 555 994 53 OA1 991 555 994 53 6J0 991 555 994 53 N12	Black Platinum Grey Luxor beige yachting blue agate grey Espresso Carrera Red two-colour	-AZ -CZ -UZ -EZ -DK -NE -NG		
	991 555 994 53 GEG 991 555 994 53 GMG 991 555 994 53 GRG 991 555 994 53 DTO 991 555 994 53 DQW	Black/Platinum Grey Agate Grey/Pebble Grey Espresso/Cognac Black/Luxor Beige Black/Carrera Red	-BR -BV -BH -BL -BA,BQ		

Model: 991T13 Model life 2014>>

Pos	Part Number	Description	Remark	Qty	Model
2	999 507 533 02	Clamp 8,0 X 10,0 /2,5		4	
3	991 555 521 02	Inner actuator	left	1	
(3)	991 555 521 02 V08	Galvano silver			
	991 555 522 02	Inner actuator	right	1	
	991 555 522 02 V08	Galvano silver			
	4	991 555 533 00	Pull handle	left	1
		Leather			
	991 555 533 00 A11	Black	-AZ		
	991 555 533 00 9B0	Platinum Grey	-CZ, BR		
	991 555 533 00 7J0	Luxor beige	-UZ, BL		
	991 555 533 00 6A0	yachting blue	-EZ		
	991 555 533 00 OA1	agate grey	-DK		
	991 555 533 00 OD4	flint grey	-BV		
	991 555 533 00 6J0	Espresso	-NE		
	991 555 533 00 N12	Carrera Red	-NG, BA, BQ		
	991 555 533 00 7F0	Cognac	-BH		
(4)	991 555 534 00	Pull handle (leather)	right	1	
	991 555 534 00 A11	Black	-AZ		
	991 555 534 00 9B0	Platinum Grey	-CZ, BR		
	991 555 534 00 7J0	Luxor beige	-UZ, BL		
	991 555 534 00 6A0	yachting blue	-EZ		
	991 555 534 00 OA1	agate grey	-DK		
	991 555 534 00 OD4	flint grey	-BV		
	991 555 534 00 6J0	Espresso	-NE		
	991 555 534 00 N12	Carrera Red	-NG, BA, BQ		
	991 555 534 00 7F0	Cognac	-BH		
5	999 919 262 01	fillister hd. bolt 4,0 X 16,0		9	
6	970 632 135 00	Door warning light		2	
7	991 555 723 01	Mounting frame		1	
		Switch			
(8)	991 555 723 01 1E0	Black			
	991 555 721 02	Cover	left front	1	
		D - MJ 2015>>			
	991 555 721 02 5Q0	Black	-AZ, BR, BL, BA, BQ		
	991 555 721 02 4U0	Platinum Grey	-CZ		
	991 555 721 02 6W0	Luxor beige	-UZ		
	991 555 721 02 8Y0	yachting blue	-EZ		
	991 555 721 02 OA6	agate grey	-DK, BV		
	991 555 721 02 3T0	Espresso	-NE, BH		
	991 555 721 02 OE1	Carrera Red	-NG		
(8)	991 555 722 02	Cover	right front	1	
		D - MJ 2015>>			
	991 555 722 02 5Q0	Black	-AZ, BR, BL, BA, BQ		
	991 555 722 02 4U0	Platinum Grey	-CZ		
	991 555 722 02 6W0	Luxor beige	-UZ		
	991 555 722 02 8Y0	yachting blue	-EZ		
	991 555 722 02 OA6	agate grey	-DK, BV		
	991 555 722 02 3T0	Espresso	-NE, BH		
	991 555 722 02 OE1	Carrera Red	-NG		
(9)	7PP 837 247	Cover panel	left	1	
		Inner actuator			
	7PP 837 247 1E0	Black			
(9)	7PP 837 248	Cover panel	right	1	
		Inner actuator			
	7PP 837 248 1E0	Black			
(10)	991 555 684 01	cover for airbag	right	1	
		D - MJ 2015>>			

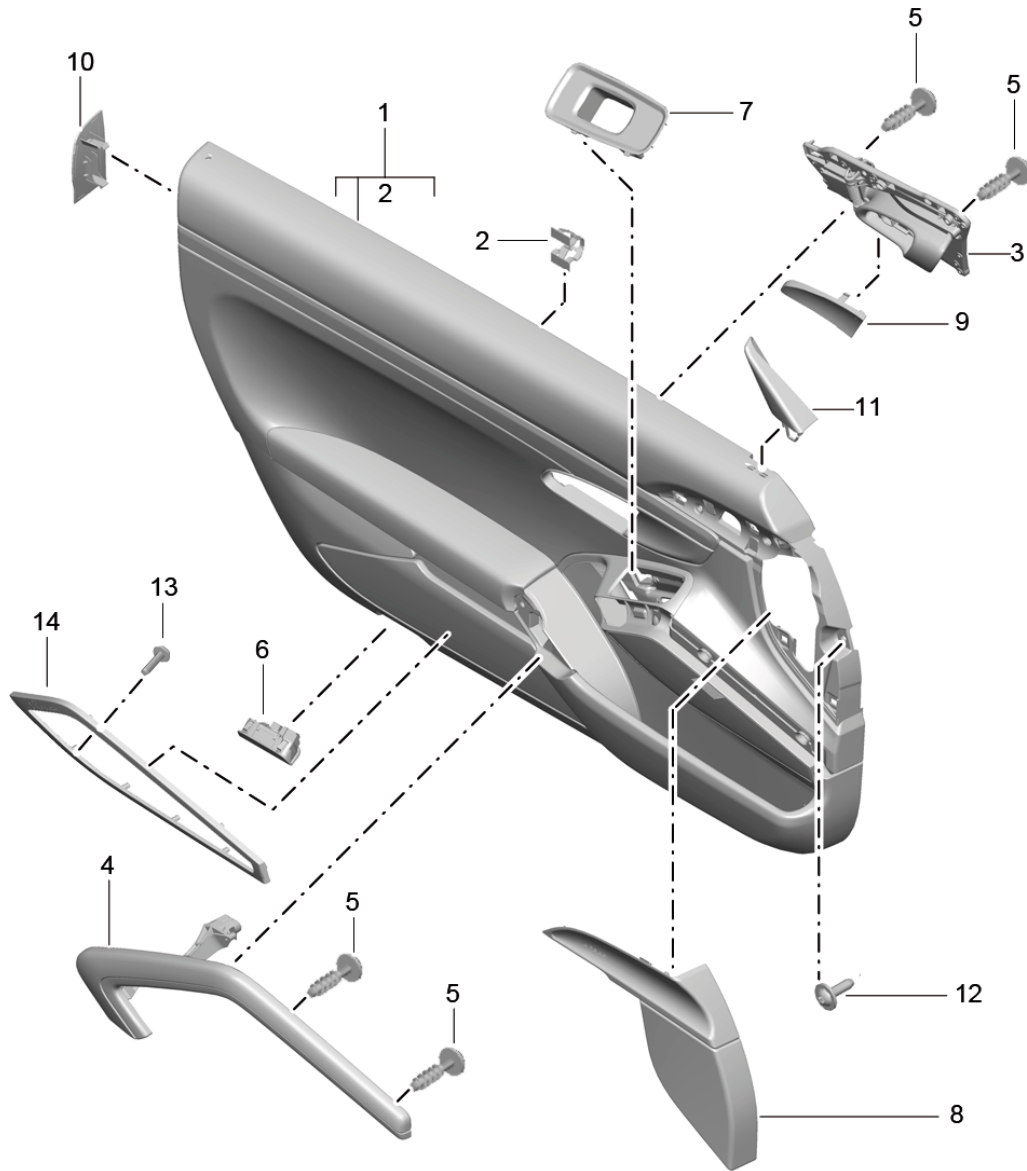
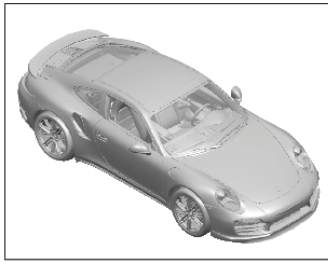
Model: 991T13

Model life 2014>>

Pos	Part Number	Description	Remark	Qty	Model
	991 555 684 01 5Q0	Black	-AZ, BR, BL, BA, BQ		
	991 555 684 01 4U0	Platinum Grey	-CZ		
	991 555 684 01 6W0	Luxor beige	-UZ		
	991 555 684 01 8Y0	yachting blue	-EZ		
	991 555 684 01 OA6	agate grey	-DK, BV		
	991 555 684 01 3T0	Espresso	-NE, BH		
	991 555 684 01 OE1	Carrera Red	-NG		
11	991 555 741 00	Cover panel window frame	left	1	
	991 555 741 00 1E0	Black			
(11)	991 555 742 00	Cover panel window frame	right	1	
	991 555 742 00 1E0	Black			
12	999 073 322 02	fillister hd. bolt M 6 X 20		8	
13	999 919 167 09	fillister hd. bolt M 3 X 10		10	PR:682
14	991 555 581 00	decorative frame Loudspeaker trim	left	1	PR:682
	991 555 581 00 V08	Galvano silver			
(14)	991 555 582 00	decorative frame Loudspeaker trim	right	1	PR:682
	991 555 582 00 V08	Galvano silver			

Model: 991T13

Model life 2014>>



Model: 991T13

Model life 2014>>

Pos	Part Number	Description	Remark	Qty	Model
		door panel Accessories Trim mahagoni 2nd GENERATION D - MJ 2017>>			PR:XWB,981
1	991 555 993 19	Door panel trim (leather)	left	1	PR:9VL,-537,-625
	991 555 993 19 A11	Black	-AZ		
	991 555 993 19 OA1	agate grey	-FZ		
	991 555 993 19 OH7	Graphite Blue	-HZ		
	991 555 993 19 OK6	saddle brown	-SZ		
	991 555 993 19 7J0	Luxor beige	-UZ		
	991 555 993 19 OG6	Bordeaux red	-LZ		
	991 555 993 19 6J0	Espresso	-NE		
	991 555 993 19 JHB	Black/Dark Silver	-TD		
(1)	991 555 993 19	Door panel trim (leather)	left	1	PR:9VL,-537,-625
		two-colour			
	991 555 993 19 DTO	Black/Luxor Beige	-BT		
	991 555 993 19 GUG	Black/Bordeaux Red	-BM		
	991 555 993 19 GTG	Graphite Blue/Chalk	-BG,TG		
	991 555 993 19 GRG	Espresso/Cognac	-BY		
(1)	991 555 994 19	Door panel trim (leather)	right	1	PR:9VL,-538,-625
	991 555 994 19 A11	Black	-AZ		
	991 555 994 19 OA1	agate grey	-FZ		
	991 555 994 19 OH7	Graphite Blue	-HZ		
	991 555 994 19 OK6	saddle brown	-SZ		
	991 555 994 19 7J0	Luxor beige	-UZ		
	991 555 994 19 OG6	Bordeaux red	-LZ		
	991 555 994 19 6J0	Espresso	-NE		
	991 555 994 19 JHB	Black/Dark Silver	-TD		
(1)	991 555 994 19	Door panel trim (leather)	right	1	PR:9VL,-538,-625
		two-colour			
	991 555 994 19 DTO	Black/Luxor Beige	-BT		
	991 555 994 19 GUG	Black/Bordeaux Red	-BM		
	991 555 994 19 GTG	Graphite Blue/Chalk	-BG,TG		
	991 555 994 19 GRG	Espresso/Cognac	-BY		
(1)	991 555 993 20	Door panel trim (leather)	left	1	PR:9VJ,-537,-625
	991 555 993 20 A11	Black	-AZ		
	991 555 993 20 OA1	agate grey	-FZ		
	991 555 993 20 OH7	Graphite Blue	-HZ		
	991 555 993 20 OK6	saddle brown	-SZ		
	991 555 993 20 7J0	Luxor beige	-UZ		
	991 555 993 20 OG6	Bordeaux red	-LZ		
	991 555 993 20 6J0	Espresso	-NE		
	991 555 993 20 JHB	Black/Dark Silver	-TD		
(1)	991 555 993 20	Door panel trim (leather)	left	1	PR:9VJ,-537,-625
		two-colour			
	991 555 993 20 DTO	Black/Luxor Beige	-BT		
	991 555 993 20 GUG	Black/Bordeaux Red	-BM		
	991 555 993 20 GTG	Graphite Blue/Chalk	-BG,TG		
	991 555 993 20 GRG	Espresso/Cognac	-BY		
(1)	991 555 994 20	Door panel trim (leather)	right	1	PR:9VJ,-538,-625
	991 555 994 20 A11	Black	-AZ		
	991 555 994 20 OA1	agate grey	-FZ		
	991 555 994 20 OH7	Graphite Blue	-HZ		
	991 555 994 20 OK6	saddle brown	-SZ		



Model: 991T13 Model life 2014>>

Pos	Part Number	Description	Remark	Qty	Model
(1)	991 555 994 20 7J0	Luxor beige	-UZ	1	PR:9VJ,-538,-625
	991 555 994 20 OG6	Bordeaux red	-LZ		
	991 555 994 20 6J0	Espresso	-NE		
	991 555 994 20 JHB	Black/Dark Silver	-TD		
	991 555 994 20	Door panel trim (leather)	right		
(1)		two-colour		1	PR:9VL,537,-625,098
	991 555 994 20 DTO	Black/Luxor Beige	-BT		
	991 555 994 20 GUG	Black/Bordeaux Red	-BM		
	991 555 994 20 GTG	Graphite Blue/Chalk	-BG,TG		
	991 555 994 20 GRG	Espresso/Cognac	-BY		
	991 555 993 22	Door panel trim (leather)	left lhd		
	991 555 993 22 A11	Black	-AZ		
	991 555 993 22 OA1	agate grey	-FZ		
	991 555 993 22 OH7	Graphite Blue	-HZ		
	991 555 993 22 OK6	saddle brown	-SZ		
(1)	991 555 993 22 7J0	Luxor beige	-UZ	1	PR:9VL,537,-625,098
	991 555 993 22 OG6	Bordeaux red	-LZ		
	991 555 993 22 6J0	Espresso	-NE		
	991 555 993 22 JHB	Black/Dark Silver	-TD		
	991 555 993 22	Door panel trim (leather)	left lhd		
		two-colour			
	991 555 993 22 DTO	Black/Luxor Beige	-BT		
	991 555 993 22 GUG	Black/Bordeaux Red	-BM		
	991 555 993 22 GTG	Graphite Blue/Chalk	-BG,TG		
	991 555 993 22 GRG	Espresso/Cognac	-BY		
(1)	991 555 994 22	Door panel trim (leather)	right rhd	1	PR:9VL,538,-625,099
	991 555 994 22 A11	Black	-AZ		
	991 555 994 22 OA1	agate grey	-FZ		
	991 555 994 22 OH7	Graphite Blue	-HZ		
	991 555 994 22 OK6	saddle brown	-SZ		
	991 555 994 22 7J0	Luxor beige	-UZ		
	991 555 994 22 OG6	Bordeaux red	-LZ		
	991 555 994 22 6J0	Espresso	-NE		
	991 555 994 22 JHB	Black/Dark Silver	-TD		
	991 555 994 22	Door panel trim (leather)	right rhd		
(1)		two-colour		1	PR:9VJ,537,-625,098
	991 555 994 22 DTO	Black/Luxor Beige	-BT		
	991 555 994 22 GUG	Black/Bordeaux Red	-BM		
	991 555 994 22 GTG	Graphite Blue/Chalk	-BG,TG		
	991 555 994 22 GRG	Espresso/Cognac	-BY		
	991 555 993 23	Door panel trim (leather)	left lhd		
	991 555 993 23 A11	Black	-AZ		
	991 555 993 23 OA1	agate grey	-FZ		
	991 555 993 23 OH7	Graphite Blue	-HZ		
	991 555 993 23 OK6	saddle brown	-SZ		
(1)	991 555 993 23 7J0	Luxor beige	-UZ	1	PR:9VJ,537,-625,098
	991 555 993 23 OG6	Bordeaux red	-LZ		
	991 555 993 23 6J0	Espresso	-NE		
	991 555 993 23 JHB	Black/Dark Silver	-TD		
	991 555 993 23	Door panel trim (leather)	left lhd		
		two-colour			
	991 555 993 23 DTO	Black/Luxor Beige	-BT		
	991 555 993 23 GUG	Black/Bordeaux Red	-BM		
	991 555 993 23 GTG	Graphite Blue/Chalk	-BG,TG		
	991 555 993 23 GRG	Espresso/Cognac	-BY		
(1)	991 555 994 23	Door panel trim (leather)	right rhd	1	PR:9VJ,538,

Model: 991T13 Model life 2014>>

Pos	Part Number	Description	Remark	Qty	Model
	991 555 994 23 A11	Black	-AZ		-625,099
	991 555 994 23 OA1	agate grey	-FZ		
	991 555 994 23 OH7	Graphite Blue	-HZ		
	991 555 994 23 OK6	saddle brown	-SZ		
	991 555 994 23 7J0	Luxor beige	-UZ		
	991 555 994 23 OG6	Bordeaux red	-LZ		
	991 555 994 23 6J0	Espresso	-NE		
	991 555 994 23 JHB	Black/Dark Silver	-TD		
(1)	991 555 994 23	Door panel trim (leather)	right rhd	1	PR:9VJ,538, -625,099
		two-colour			
	991 555 994 23 DTO	Black/Luxor Beige	-BT		
	991 555 994 23 GUG	Black/Bordeaux Red	-BM		
	991 555 994 23 GTG	Graphite Blue/Chalk	-BG,TG		
	991 555 994 23 GRG	Espresso/Cognac	-BY		
(1)	991 555 993 49	Door panel trim (leather)	left	1	PR:9VL,625, -537
	991 555 993 49 A11	Black	-AZ		
	991 555 993 49 OA1	agate grey	-FZ		
	991 555 993 49 OH7	Graphite Blue	-HZ		
	991 555 993 49 OK6	saddle brown	-SZ		
	991 555 993 49 7J0	Luxor beige	-UZ		
	991 555 993 49 OG6	Bordeaux red	-LZ		
	991 555 993 49 6J0	Espresso	-NE		
	991 555 993 49 JHB	Black/Dark Silver	-TD		
(1)	991 555 993 49	Door panel trim (leather)	left	1	PR:9VL,625, -537
		two-colour			
	991 555 993 49 DTO	Black/Luxor Beige	-BT		
	991 555 993 49 GUG	Black/Bordeaux Red	-BM		
	991 555 993 49 GTG	Graphite Blue/Chalk	-BG,TG		
	991 555 993 49 GRG	Espresso/Cognac	-BY		
(1)	991 555 994 49	Door panel trim (leather)	right	1	PR:9VL,625, -538
	991 555 994 49 A11	Black	-AZ		
	991 555 994 49 OA1	agate grey	-FZ		
	991 555 994 49 OH7	Graphite Blue	-HZ		
	991 555 994 49 OK6	saddle brown	-SZ		
	991 555 994 49 7J0	Luxor beige	-UZ		
	991 555 994 49 OG6	Bordeaux red	-LZ		
	991 555 994 49 6J0	Espresso	-NE		
	991 555 994 49 JHB	Black/Dark Silver	-TD		
(1)	991 555 994 49	Door panel trim (leather)	right	1	PR:9VL,625, -538
		two-colour			
	991 555 994 49 DTO	Black/Luxor Beige	-BT		
	991 555 994 49 GUG	Black/Bordeaux Red	-BM		
	991 555 994 49 GTG	Graphite Blue/Chalk	-BG,TG		
	991 555 994 49 GRG	Espresso/Cognac	-BY		
(1)	991 555 993 50	Door panel trim (leather)	left	1	PR:9VJ,625, -537
	991 555 993 50 A11	Black	-AZ		
	991 555 993 50 OA1	agate grey	-FZ		
	991 555 993 50 OH7	Graphite Blue	-HZ		
	991 555 993 50 OK6	saddle brown	-SZ		
	991 555 993 50 7J0	Luxor beige	-UZ		
	991 555 993 50 OG6	Bordeaux red	-LZ		
	991 555 993 50 6J0	Espresso	-NE		
	991 555 993 50 JHB	Black/Dark Silver	-TD		
(1)	991 555 993 50	Door panel trim (leather)	left	1	PR:9VJ,625, -537
		two-colour			

Model: 991T13 Model life 2014>>

Pos	Part Number	Description	Remark	Qty	Model			
(1)	991 555 993 50 DTO	Black/Luxor Beige	-BT	1	PR:9VJ,625, -538			
	991 555 993 50 GUG	Black/Bordeaux Red	-BM					
	991 555 993 50 GTG	Graphite Blue/Chalk	-BG,TG					
	991 555 993 50 GRG	Espresso/Cognac	-BY					
	991 555 994 50	Door panel trim (leather)	right					
	991 555 994 50 A11	Black	-AZ					
	991 555 994 50 OA1	agate grey	-FZ					
	991 555 994 50 OH7	Graphite Blue	-HZ					
	991 555 994 50 OK6	saddle brown	-SZ					
	991 555 994 50 7J0	Luxor beige	-UZ					
(1)	991 555 994 50 OG6	Bordeaux red	-LZ	1	PR:9VJ,625, -538			
	991 555 994 50 6J0	Espresso	-NE					
	991 555 994 50 JHB	Black/Dark Silver	-TD					
	991 555 994 50	Door panel trim (leather)	right					
		two-colour						
	991 555 994 50 DTO	Black/Luxor Beige	-BT					
	991 555 994 50 GUG	Black/Bordeaux Red	-BM					
	991 555 994 50 GTG	Graphite Blue/Chalk	-BG,TG					
	991 555 994 50 GRG	Espresso/Cognac	-BY					
	(1)	991 555 993 52	Door panel trim (leather)			left lhd	1	PR:9VL,537, 625,098
(1)	991 555 993 52 A11	Black	-AZ	1	PR:9VL,537, 625,098			
	991 555 993 52 OA1	agate grey	-FZ					
	991 555 993 52 OH7	Graphite Blue	-HZ					
	991 555 993 52 OK6	saddle brown	-SZ					
	991 555 993 52 7J0	Luxor beige	-UZ					
	991 555 993 52 OG6	Bordeaux red	-LZ					
	991 555 993 52 6J0	Espresso	-NE					
	991 555 993 52 JHB	Black/Dark Silver	-TD					
	(1)	991 555 993 52	Door panel trim (leather)			left lhd	1	PR:9VL,537, 625,098
		two-colour						
(1)	991 555 993 52 DTO	Black/Luxor Beige	-BT	1	PR:9VL,538, 625,099			
	991 555 993 52 GUG	Black/Bordeaux Red	-BM					
	991 555 993 52 GTG	Graphite Blue/Chalk	-BG,TG					
	991 555 993 52 GRG	Espresso/Cognac	-BY					
	(1)	991 555 994 52	Door panel trim (leather)			right rhd	1	PR:9VL,538, 625,099
	(1)	991 555 994 52 A11	Black			-AZ	1	PR:9VL,538, 625,099
		991 555 994 52 OA1	agate grey			-FZ		
		991 555 994 52 OH7	Graphite Blue			-HZ		
		991 555 994 52 OK6	saddle brown			-SZ		
		991 555 994 52 7J0	Luxor beige			-UZ		
991 555 994 52 OG6		Bordeaux red	-LZ					
991 555 994 52 6J0		Espresso	-NE					
991 555 994 52 JHB		Black/Dark Silver	-TD					
(1)		991 555 994 52	Door panel trim (leather)	right rhd	1	PR:9VL,538, 625,099		
		two-colour						
(1)	991 555 994 52 DTO	Black/Luxor Beige	-BT	1	PR:9VJ,537, 625,098			
	991 555 994 52 GUG	Black/Bordeaux Red	-BM					
	991 555 994 52 GTG	Graphite Blue/Chalk	-BG,TG					
	991 555 994 52 GRG	Espresso/Cognac	-BY					
	(1)	991 555 993 53	Door panel trim (leather)			left lhd	1	PR:9VJ,537, 625,098
	(1)	991 555 993 53 A11	Black			-AZ	1	PR:9VJ,537, 625,098
		991 555 993 53 OA1	agate grey			-FZ		
		991 555 993 53 OH7	Graphite Blue			-HZ		
		991 555 993 53 OK6	saddle brown			-SZ		
		991 555 993 53 7J0	Luxor beige			-UZ		
991 555 993 53 OG6		Bordeaux red	-LZ					

Model: 991T13

Model life 2014>>

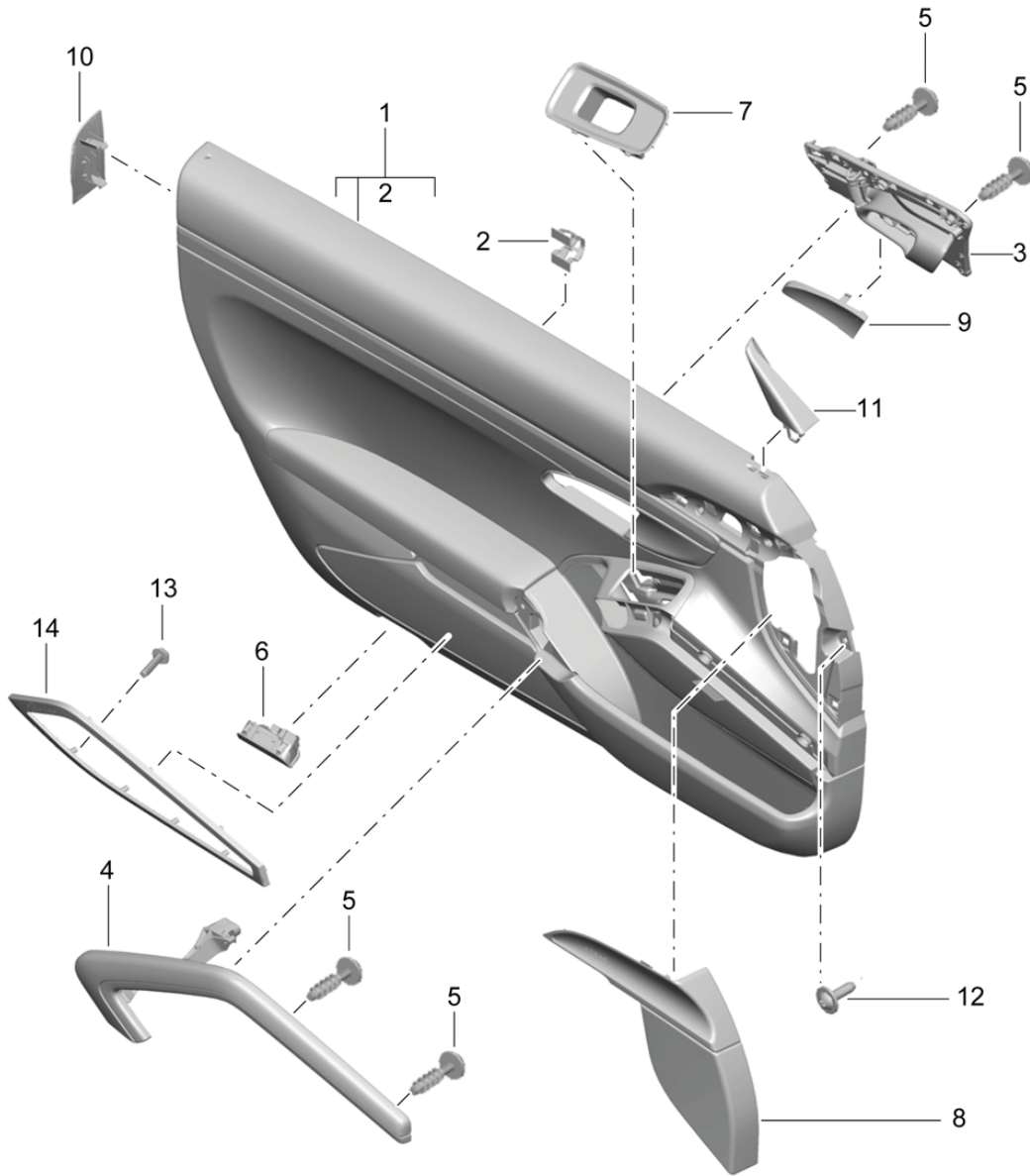
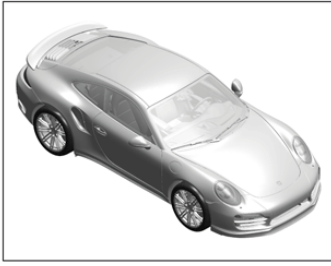
Pos	Part Number	Description	Remark	Qty	Model
(1)	991 555 993 53 6J0	Espresso	-NE	1	PR:9VJ,537, 625,098
	991 555 993 53 JHB	Black/Dark Silver	-TD		
(1)	991 555 993 53	Door panel trim (leather)	left lhd	1	PR:9VJ,538, 625,099
		two-colour			
	991 555 993 53 DTO	Black/Luxor Beige	-BT		
	991 555 993 53 GUG	Black/Bordeaux Red	-BM		
	991 555 993 53 GTG	Graphite Blue/Chalk	-BG,TG		
	991 555 993 53 GRG	Espresso/Cognac	-BY		
	991 555 994 53	Door panel trim (leather)	right rhd		
	991 555 994 53 A11	Black	-AZ		
	991 555 994 53 OA1	agate grey	-FZ		
	991 555 994 53 OH7	Graphite Blue	-HZ		
(1)	991 555 994 53 OK6	saddle brown	-SZ	1	PR:9VJ,538, 625,099
	991 555 994 53 7J0	Luxor beige	-UZ		
	991 555 994 53 OG6	Bordeaux red	-LZ		
	991 555 994 53 6J0	Espresso	-NE		
	991 555 994 53 JHB	Black/Dark Silver	-TD		
	991 555 994 53	Door panel trim (leather)	right rhd		
		two-colour			
	991 555 994 53 DTO	Black/Luxor Beige	-BT		
	991 555 994 53 GUG	Black/Bordeaux Red	-BM		
	991 555 994 53 GTG	Graphite Blue/Chalk	-BG,TG		
2	991 555 994 53 GRG	Espresso/Cognac	-BY	4	
	999 507 533 02	Clamp 8,0 X 10,0 /2,5			
3	991 555 521 02	Inner actuator	left	1	
	991 555 521 02 V08	Galvano silver			
(3)	991 555 522 02	Inner actuator	right	1	
	991 555 522 02 V08	Galvano silver			
4	991 555 533 00	Pull handle Leather	left	1	
	991 555 533 00 A11	Black	-AZ		
	991 555 533 00 OA1	agate grey	-FZ		
	991 555 533 00 OH7	Graphite Blue	-HZ		
	991 555 533 00 OK6	saddle brown	-SZ		
	991 555 533 00 7J0	Luxor beige	-UZ,BT		
	991 555 533 00 OG6	Bordeaux red	-LZ,BM		
	991 555 533 00 OL8	Chalk	-BG,TG		
	991 555 533 00 6J0	Espresso	-NE		
	991 555 533 00 7F0	Cognac	-BY		
(4)	991 555 533 00 JHB	Black/Dark Silver	-TD	1	
	991 555 534 00	Pull handle (leather)	right		
	991 555 534 00 A11	Black	-AZ		
	991 555 534 00 OA1	agate grey	-FZ		
	991 555 534 00 OH7	Graphite Blue	-HZ		
	991 555 534 00 OK6	saddle brown	-SZ		
	991 555 534 00 7J0	Luxor beige	-UZ,BT		
	991 555 534 00 OG6	Bordeaux red	-LZ,BM		
	991 555 534 00 OL8	Chalk	-BG,TG		
	991 555 534 00 6J0	Espresso	-NE		
5	991 555 534 00 7F0	Cognac	-BY	9	
	991 555 534 00 JHB	Black/Dark Silver	-TD		
6	999 919 262 01	fillister hd. bolt 4,0 X 16,0		2	
	970 632 135 00	Door warning light			
7	991 555 723 01	Mounting frame Switch		1	
	991 555 723 01 1E0	Black			
8	991 555 721 02	Cover	left front	1	

Model: 991T13 Model life 2014>>

Pos	Part Number	Description	Remark	Qty	Model
	991 555 721 02 5Q0	Black	-AZ, BT, BM, TD		
	991 555 721 02 OA6	agate grey	-FZ		
	991 555 721 02 OH7	Graphite Blue	-HZ, BG, TG		
	991 555 721 02 OL7	saddle brown	-SZ		
	991 555 721 02 6W0	Luxor beige	-UZ		
	991 555 721 02 OG6	Bordeaux red	-LZ		
	991 555 721 02 3T0	Espresso	-NE, BY		
(8)	991 555 722 02	Cover	right	1	
			front		
	991 555 722 02 5Q0	Black	-AZ, BT, BM, TD		
	991 555 722 02 OA6	agate grey	-FZ		
	991 555 722 02 OH7	Graphite Blue	-HZ, BG, TG		
	991 555 722 02 OL7	saddle brown	-SZ		
	991 555 722 02 6W0	Luxor beige	-UZ		
	991 555 722 02 OG6	Bordeaux red	-LZ		
	991 555 722 02 3T0	Espresso	-NE, BY		
(9)	7PP 837 247	Cover panel	left	1	
		Inner actuator			
(9)	7PP 837 247 1E0	Black			
(9)	7PP 837 248	Cover panel	right	1	
		Inner actuator			
10	7PP 837 248 1E0	Black			
	991 555 683 01	cover for airbag	left	1	
	991 555 683 01 5Q0	Black	-AZ, BT, BM, TD		
	991 555 683 01 OA6	agate grey	-FZ		
	991 555 683 01 OH7	Graphite Blue	-HZ, BG, TG		
	991 555 683 01 OL7	saddle brown	-SZ		
	991 555 683 01 6W0	Luxor beige	-UZ		
	991 555 683 01 OG6	Bordeaux red	-LZ		
	991 555 683 01 3T0	Espresso	-NE, BY		
(10)	991 555 684 01	cover for airbag	right	1	
	991 555 684 01 5Q0	Black	-AZ, BT, BM, TD		
	991 555 684 01 OA6	agate grey	-FZ		
	991 555 684 01 OH7	Graphite Blue	-HZ, BG, TG		
	991 555 684 01 OL7	saddle brown	-SZ		
	991 555 684 01 6W0	Luxor beige	-UZ		
	991 555 684 01 OG6	Bordeaux red	-LZ		
	991 555 684 01 3T0	Espresso	-NE, BY		
11	991 555 741 00	Cover panel	left	1	
		window frame			
(11)	991 555 741 00 1E0	Black			
	991 555 742 00	Cover panel	right	1	
		window frame			
	991 555 742 00 1E0	Black			
12	999 073 322 02	fillister hd. bolt		8	
		M 6 X 20			
13	999 919 167 09	fillister hd. bolt		10	PR:9VJ
		M 3 X 10			
14	991 555 581 00	decorative frame	left	1	PR:9VJ
		Loudspeaker trim			
(14)	991 555 581 00 V08	Galvano silver			
	991 555 582 00	decorative frame	right	1	PR:9VJ
		Loudspeaker trim			
	991 555 582 00 V08	Galvano silver			

Model: 991T13

Model life 2014>>



Model: 991T13

Model life 2014>>

Pos	Part Number	Description	Remark	Qty	Model
		door panel Accessories Trim Carbon D >> - MJ 2016			PR:XWC
1	991 555 913 13	door panel Leather	left lhd	1	PR:XWC,098, 680,981, -537,-625
	991 555 913 13 A11	Black	-AZ		
	991 555 913 13 9B0	Platinum Grey	-CZ		
	991 555 913 13 7J0	Luxor beige	-UZ		
	991 555 913 13 6A0	yachting blue	-EZ		
	991 555 913 13 OA1	agate grey	-DK		
	991 555 913 13 6J0	Espresso	-NE		
	991 555 913 13 N12	Carrera Red two-colour	-NG		
	991 555 913 13 GEG	Black/Platinum Grey	-BR		
	991 555 913 13 GMG	Agate Grey/Pebble Grey	-BV		
	991 555 913 13 GRG	Espresso/Cognac	-BH		
	991 555 913 13 DTO	Black/Luxor Beige	-BL		
	991 555 913 13 DQW	Black/Carrera Red	-BA,BQ		
(1)	991 555 913 13	door panel Leather	left rhd	1	PR:XWC,099, 680,981,-625
	991 555 913 13 A11	Black	-AZ		
	991 555 913 13 9B0	Platinum Grey	-CZ		
	991 555 913 13 7J0	Luxor beige	-UZ		
	991 555 913 13 6A0	yachting blue	-EZ		
	991 555 913 13 OA1	agate grey	-DK		
	991 555 913 13 6J0	Espresso	-NE		
	991 555 913 13 N12	Carrera Red two-colour	-NG		
	991 555 913 13 GEG	Black/Platinum Grey	-BR		
	991 555 913 13 GMG	Agate Grey/Pebble Grey	-BV		
	991 555 913 13 GRG	Espresso/Cognac	-BH		
	991 555 913 13 DTO	Black/Luxor Beige	-BL		
	991 555 913 13 DQW	Black/Carrera Red	-BA,BQ		
(1)	991 555 914 13	door panel Leather	right	1	PR:XWC,680, 981,-538, -625
	991 555 914 13 A11	Black	-AZ		
	991 555 914 13 9B0	Black	-CZ		
	991 555 914 13 7J0	Black	-UZ		
	991 555 914 13 6A0	Black	-EZ		
	991 555 914 13 OA1	Black	-DK		
	991 555 914 13 6J0	Black	-NE		
	991 555 914 13 N12	Black two-colour	-NG		
	991 555 914 13 GEG	Black/Platinum Grey	-BR		
	991 555 914 13 GMG	Black	-BV		
	991 555 914 13 GRG	Black	-BH		
	991 555 914 13 DTO	Black/Luxor Beige	-BL		
	991 555 914 13 DQW	Black/Carrera Red	-BA,BQ		
(1)	991 555 913 14	Door panel trim (leather)	left lhd	1	PR:XWC,098, 682,981, -537,-625
	991 555 913 14 A11	Black	-AZ		
	991 555 913 14 9B0	Platinum Grey	-CZ		
	991 555 913 14 7J0	Luxor beige	-UZ		
	991 555 913 14 6A0	yachting blue	-EZ		
	991 555 913 14 OA1	agate grey	-DK		
	991 555 913 14 6J0	Espresso	-NE		
	991 555 913 14 N12	Carrera Red two-colour	-NG		

Model: 991T13

Model life 2014>>

Pos	Part Number	Description	Remark	Qty	Model
(1)	991 555 913 14 GEG	Black/Platinum Grey	-BR	1	PR:XWC,099, 682,981,-625
	991 555 913 14 GMG	Agate Grey/Pebble Grey	-BV		
	991 555 913 14 GRG	Espresso/Cognac	-BH		
	991 555 913 14 DTO	Black/Luxor Beige	-BL		
	991 555 913 14 DQW	Black/Carrera Red	-BA,BQ		
	991 555 913 14	Door panel trim (leather)	left rhd		
	991 555 913 14 A11	Black	-AZ		
	991 555 913 14 9B0	Platinum Grey	-CZ		
	991 555 913 14 7J0	Luxor beige	-UZ		
	991 555 913 14 6A0	yachting blue	-EZ		
	991 555 913 14 OA1	agate grey	-DK		
	991 555 913 14 6J0	Espresso	-NE		
991 555 913 14 N12	Carrera Red	-NG			
(1)	991 555 913 14 GEG	Black/Platinum Grey	-BR	1	PR:XWC,682, 981,-538, -625
	991 555 913 14 GMG	Agate Grey/Pebble Grey	-BV		
	991 555 913 14 GRG	Espresso/Cognac	-BH		
	991 555 913 14 DTO	Black/Luxor Beige	-BL		
	991 555 913 14 DQW	Black/Carrera Red	-BA,BQ		
	991 555 914 14	Door panel trim (leather)	right		
	991 555 914 14 A11	Black	-AZ		
	991 555 914 14 9B0	Platinum Grey	-CZ		
	991 555 914 14 7J0	Luxor beige	-UZ		
	991 555 914 14 6A0	yachting blue	-EZ		
	991 555 914 14 OA1	agate grey	-DK		
	991 555 914 14 6J0	Espresso	-NE		
991 555 914 14 N12	Carrera Red	-NG			
(1)	991 555 914 14 GEG	Black/Platinum Grey	-BR	1	PR:XWC,098, 537,680,981, -625
	991 555 914 14 GMG	Agate Grey/Pebble Grey	-BV		
	991 555 914 14 GRG	Espresso/Cognac	-BH		
	991 555 914 14 DTO	Black/Luxor Beige	-BL		
	991 555 914 14 DQW	Black/Carrera Red	-BA,BQ		
	991 555 913 16	Door panel trim (leather)	left lhd		
	991 555 913 16 A11	Black	-AZ		
	991 555 913 16 9B0	Platinum Grey	-CZ		
	991 555 913 16 7J0	Luxor beige	-UZ		
	991 555 913 16 6A0	yachting blue	-EZ		
	991 555 913 16 OA1	agate grey	-DK		
	991 555 913 16 6J0	Espresso	-NE		
991 555 913 16 N12	Carrera Red	-NG			
(1)	991 555 913 16 GEG	Black/Platinum Grey	-BR	1	PR:XWC,538, 680,981,-625
	991 555 913 16 GMG	Agate Grey/Pebble Grey	-BV		
	991 555 913 16 GRG	Espresso/Cognac	-BH		
	991 555 913 16 DTO	Black/Luxor Beige	-BL		
	991 555 913 16 DQW	Black/Carrera Red	-BA,BQ		
	991 555 914 16	Door panel trim (leather)	right		
	991 555 914 16 A11	Black	-AZ		
	991 555 914 16 9B0	Platinum Grey	-CZ		
	991 555 914 16 7J0	Luxor beige	-UZ		
	991 555 914 16 6A0	yachting blue	-EZ		
	991 555 914 16 OA1	agate grey	-DK		
	991 555 914 16 6J0	Espresso	-NE		
991 555 914 16 N12	Carrera Red	-NG			
991 555 914 16 GEG	Black/Platinum Grey	-BR			



Model: 991T13

Model life 2014>>

Pos	Part Number	Description	Remark	Qty	Model
(1)	991 555 914 16 GMG	Agate Grey/Pebble Grey	-BV	1	PR:XWC,098, 537,682,981, -625
	991 555 914 16 GRG	Espresso/Cognac	-BH		
	991 555 914 16 DTO	Black/Luxor Beige	-BL		
	991 555 914 16 DQW	Black/Carrera Red	-BA,BQ		
	991 555 913 17	Door panel trim (leather)	left lhd		
	991 555 913 17 A11	Black	-AZ		
	991 555 913 17 9B0	Platinum Grey	-CZ		
	991 555 913 17 7J0	Luxor beige	-UZ		
	991 555 913 17 6A0	yachting blue	-EZ		
	991 555 913 17 OA1	agate grey	-DK		
	991 555 913 17 6J0	Espresso	-NE		
	991 555 913 17 N12	Carrera Red two-colour	-NG		
	991 555 913 17 GEG	Black/Platinum Grey	-BR		
	991 555 913 17 GMG	Agate Grey/Pebble Grey	-BV		
(1)	991 555 913 17 GRG	Espresso/Cognac	-BH	1	PR:XWC,538, 682,981,-625
	991 555 913 17 DTO	Black/Luxor Beige	-BL		
	991 555 913 17 DQW	Black/Carrera Red	-BA,BQ		
	991 555 914 17	Door panel trim (leather)	right		
	991 555 914 17 A11	Black	-AZ		
	991 555 914 17 9B0	Platinum Grey	-CZ		
	991 555 914 17 7J0	Luxor beige	-UZ		
	991 555 914 17 6A0	yachting blue	-EZ		
	991 555 914 17 OA1	agate grey	-DK		
	991 555 914 17 6J0	Espresso	-NE		
	991 555 914 17 N12	Carrera Red two-colour	-NG		
	991 555 914 17 GEG	Black/Platinum Grey	-BR		
	991 555 914 17 GMG	Agate Grey/Pebble Grey	-BV		
	(1)	991 555 914 17 GRG	Espresso/Cognac		
991 555 914 17 DTO		Black/Luxor Beige	-BL		
991 555 914 17 DQW		Black/Carrera Red	-BA,BQ		
991 555 913 43		Door panel trim (leather)	left lhd		
991 555 913 43 A11		Black	-AZ		
991 555 913 43 9B0		Platinum Grey	-CZ		
991 555 913 43 7J0		Luxor beige	-UZ		
991 555 913 43 6A0		yachting blue	-EZ		
991 555 913 43 OA1		agate grey	-DK		
991 555 913 43 6J0		Espresso	-NE		
991 555 913 43 N12		Carrera Red two-colour	-NG		
991 555 913 43 GEG		Black/Platinum Grey	-BR		
991 555 913 43 GMG		Agate Grey/Pebble Grey	-BV		
(1)		991 555 913 43 GRG	Espresso/Cognac	-BH	1
	991 555 913 43 DTO	Black/Luxor Beige	-BL		
	991 555 913 43 DQW	Black/Carrera Red	-BA,BQ		
	991 555 913 43	Door panel trim (leather)	left rhd		
	991 555 913 43 A11	Black	-AZ		
	991 555 913 43 9B0	Platinum Grey	-CZ		
	991 555 913 43 7J0	Luxor beige	-UZ		
	991 555 913 43 6A0	yachting blue	-EZ		
	991 555 913 43 OA1	agate grey	-DK		
	991 555 913 43 6J0	Espresso	-NE		
	991 555 913 43 N12	Carrera Red two-colour	-NG		
	991 555 913 43 GEG	Black/Platinum Grey	-BR		
	991 555 913 43 GMG	Agate Grey/Pebble Grey	-BV		

Model: 991T13

Model life 2014>>

Pos	Part Number	Description	Remark	Qty	Model
(1)	991 555 913 43 GRG	Espresso/Cognac	-BH	1	PR:XWC,625, 680,981,-538
	991 555 913 43 DTO	Black/Luxor Beige	-BL		
	991 555 913 43 DQW	Black/Carrera Red	-BA,BQ		
	991 555 914 43	Door panel trim (leather)	right		
	991 555 914 43 A11	Black	-AZ		
	991 555 914 43 9B0	Platinum Grey	-CZ		
	991 555 914 43 7J0	Luxor beige	-UZ		
	991 555 914 43 6A0	yachting blue	-EZ		
	991 555 914 43 OA1	agate grey	-DK		
	991 555 914 43 6J0	Espresso	-NE		
	991 555 914 43 N12	Carrera Red	-NG		
	991 555 914 43 GEG	Black/Platinum Grey	-BR		
	991 555 914 43 GMG	Agate Grey/Pebble Grey	-BV		
	(1)	991 555 914 43 GRG	Espresso/Cognac		
991 555 914 43 DTO		Black/Luxor Beige	-BL		
991 555 914 43 DQW		Black/Carrera Red	-BA,BQ		
991 555 913 44		Door panel trim (leather)	left lhd		
991 555 913 44 A11		Black	-AZ		
991 555 913 44 9B0		Platinum Grey	-CZ		
991 555 913 44 7J0		Luxor beige	-UZ		
991 555 913 44 6A0		yachting blue	-EZ		
991 555 913 44 OA1		agate grey	-DK		
991 555 913 44 6J0		Espresso	-NE		
991 555 913 44 N12		Carrera Red	-NG		
991 555 913 44 GEG		Black/Platinum Grey	-BR		
991 555 913 44 GMG		Agate Grey/Pebble Grey	-BV		
(1)		991 555 913 44 GRG	Espresso/Cognac	-BH	1
	991 555 913 44 DTO	Black/Luxor Beige	-BL		
	991 555 913 44 DQW	Black/Carrera Red	-BA		
	991 555 913 44	Door panel trim (leather)	left rhd		
	991 555 913 44 A11	Black	-AZ		
	991 555 913 44 9B0	Platinum Grey	-CZ		
	991 555 913 44 7J0	Luxor beige	-UZ		
	991 555 913 44 6A0	yachting blue	-EZ		
	991 555 913 44 OA1	agate grey	-DK		
	991 555 913 44 6J0	Espresso	-NE		
	991 555 913 44 N12	Carrera Red	-NG		
	991 555 913 44 GEG	Black/Platinum Grey	-BR		
	991 555 913 44 GMG	Agate Grey/Pebble Grey	-BV		
	(1)	991 555 913 44 GRG	Espresso/Cognac	-BH	
991 555 913 44 DTO		Black/Luxor Beige	-BL		
991 555 913 44 DQW		Black/Carrera Red	-BA,BQ		
991 555 914 44		Door panel trim (leather)	right		
991 555 914 44 A11		Black	-AZ		
991 555 914 44 9B0		Platinum Grey	-CZ		
991 555 914 44 7J0		Luxor beige	-UZ		
991 555 914 44 6A0		yachting blue	-EZ		
991 555 914 44 OA1		agate grey	-DK		
991 555 914 44 6J0		Espresso	-NE		
991 555 914 44 N12		Carrera Red	-NG		
991 555 914 44 GEG		Black/Platinum Grey	-BR		
991 555 914 44 GMG		Agate Grey/Pebble Grey	-BV		
(1)		991 555 914 44 GRG	Espresso/Cognac	-BH	1
	991 555 914 44 DTO	Black/Luxor Beige	-BL		
	991 555 914 44	Door panel trim (leather)	right		
	991 555 914 44	Door panel trim (leather)	right		

Model: 991T13

Model life 2014>>

Pos	Part Number	Description	Remark	Qty	Model
(1)	991 555 914 44 DQW 991 555 913 46	Black/Carrera Red Door panel trim (leather)	-BA,BQ left lhd	1	PR:XWC,098, 537,625,680, 981
	991 555 913 46 A11 991 555 913 46 9B0 991 555 913 46 7J0 991 555 913 46 6A0 991 555 913 46 OA1 991 555 913 46 6J0 991 555 913 46 N12	Black Platinum Grey Luxor beige yachting blue agate grey Espresso Carrera Red two-colour	-AZ -CZ -UZ -EZ -DK -NE -NG		
	991 555 913 46 GEG 991 555 913 46 GMG 991 555 913 46 GRG 991 555 913 46 DTO	Black/Platinum Grey Agate Grey/Pebble Grey Espresso/Cognac Black/Luxor Beige	-BR -BV -BH -BL		
(1)	991 555 913 46 DQW 991 555 914 46	Black/Carrera Red Door panel trim (leather)	-BA,BQ right	1	PR:XWC,538, 625,680,981
	991 555 914 46 A11 991 555 914 46 9B0 991 555 914 46 7J0 991 555 914 46 6A0 991 555 914 46 OA1 991 555 914 46 6J0 991 555 914 46 N12	Black Platinum Grey Luxor beige yachting blue agate grey Espresso Carrera Red two-colour	-AZ -CZ -UZ -EZ -DK -NE -NG		
	991 555 914 46 GEG 991 555 914 46 GMG 991 555 914 46 GRG 991 555 914 46 DTO	Black/Platinum Grey Agate Grey/Pebble Grey Espresso/Cognac Black/Luxor Beige	-BR -BV -BH -BL		
(1)	991 555 914 46 DQW 991 555 913 47	Black/Carrera Red Door panel trim (leather)	-BA,BQ left lhd	1	PR:XWC,098, 537,625,682, 981
	991 555 913 47 A11 991 555 913 47 9B0 991 555 913 47 7J0 991 555 913 47 6A0 991 555 913 47 OA1 991 555 913 47 6J0 991 555 913 47 N12	Black Platinum Grey Luxor beige yachting blue agate grey Espresso Carrera Red two-colour	-AZ -CZ -UZ -EZ -DK -NE -NG		
	991 555 913 47 GEG 991 555 913 47 GMG 991 555 913 47 GRG 991 555 913 47 DTO	Black/Platinum Grey Agate Grey/Pebble Grey Espresso/Cognac Black/Luxor Beige	-BR -BV -BH -BL		
(1)	991 555 913 47 DQW 991 555 914 47	Black/Carrera Red Door panel trim (leather)	-BA,BQ right	1	PR:XWC,538, 625,682,981
	991 555 914 47 A11 991 555 914 47 9B0 991 555 914 47 7J0 991 555 914 47 6A0 991 555 914 47 OA1 991 555 914 47 6J0 991 555 914 47 N12	Black Platinum Grey Luxor beige yachting blue agate grey Espresso Carrera Red two-colour	-AZ -CZ -UZ -EZ -DK -NE -NG		
	991 555 914 47 GEG 991 555 914 47 GMG 991 555 914 47 GRG 991 555 914 47 DTO 991 555 914 47 DQW	Black/Platinum Grey Agate Grey/Pebble Grey Espresso/Cognac Black/Luxor Beige Black/Carrera Red	-BR -BV -BH -BL -BA,BQ		

Model: 991T13 Model life 2014>>

Pos	Part Number	Description	Remark	Qty	Model
2	999 507 533 02	Clamp 8,0 X 10,0 /2,5		4	
3	991 555 521 02	Inner actuator	left	1	
(3)	991 555 521 02 V08	Galvano silver			
	991 555 522 02	Inner actuator	right	1	
	991 555 522 02 V08	Galvano silver			
	4	991 555 533 00	Pull handle	left	1
		Leather			
	991 555 533 00 A11	Black	-AZ		
	991 555 533 00 9B0	Platinum Grey	-CZ, BR		
	991 555 533 00 7J0	Luxor beige	-UZ, BL		
	991 555 533 00 6A0	yachting blue	-EZ		
	991 555 533 00 OA1	agate grey	-DK		
	991 555 533 00 OD4	flint grey	-BV		
	991 555 533 00 6J0	Espresso	-NE		
	991 555 533 00 N12	Carrera Red	-NG, BA, BQ		
	991 555 533 00 7F0	Cognac	-BH		
(4)	991 555 534 00	Pull handle (leather)	right	1	
	991 555 534 00 A11	Black	-AZ		
	991 555 534 00 9B0	Platinum Grey	-CZ, BR		
	991 555 534 00 7J0	Luxor beige	-UZ, BL		
	991 555 534 00 6A0	yachting blue	-EZ		
	991 555 534 00 OA1	agate grey	-DK		
	991 555 534 00 OD4	flint grey	-BV		
	991 555 534 00 6J0	Espresso	-NE		
	991 555 534 00 N12	Carrera Red	-NG, BA, BQ		
	991 555 534 00 7F0	Cognac	-BH		
5	999 919 262 01	fillister hd. bolt 4,0 X 16,0		9	
6	970 632 135 00	Door warning light		2	
7	991 555 723 01	Mounting frame		1	
		Switch			
	991 555 723 01 1E0	Black			
8	991 555 721 00	Cover	left	1	
			front		
	991 555 721 00 1E0	Black	-AZ, BR, BL, BA, BQ		
	991 555 721 00 6L0	Platinum Grey	-CZ		
	991 555 721 00 4H0	Luxor beige	-UZ		
	991 555 721 00 2F0	yachting blue	-EZ		
	991 555 721 00 OP1	agate grey	-DK, BV		
	991 555 721 00 7N0	Espresso	-NE, BH		
	991 555 721 00 OW5	Carrera Red	-NG		
(8)	991 555 722 00	Cover	right	1	
			front		
	991 555 722 00 1E0	Black	-AZ, BR, BL, BA, BQ		
	991 555 722 00 6L0	Platinum Grey	-CZ		
	991 555 722 00 4H0	Luxor beige	-UZ		
	991 555 722 00 2F0	yachting blue	-EZ		
	991 555 722 00 OP1	agate grey	-DK, BV		
	991 555 722 00 7N0	Espresso	-NE, BH		
	991 555 722 00 OW5	Carrera Red	-NG		
(9)	7PP 837 247	Cover panel	left	1	
		Inner actuator			
	7PP 837 247 1E0	Black			
(9)	7PP 837 248	Cover panel	right	1	
		Inner actuator			
	7PP 837 248 1E0	Black			
10	991 555 683 00	cover for airbag	left	1	
	991 555 683 00 1E0	Black	-AZ, BR, BL, BA, BQ		
	991 555 683 00 6L0	Platinum Grey	-CZ		

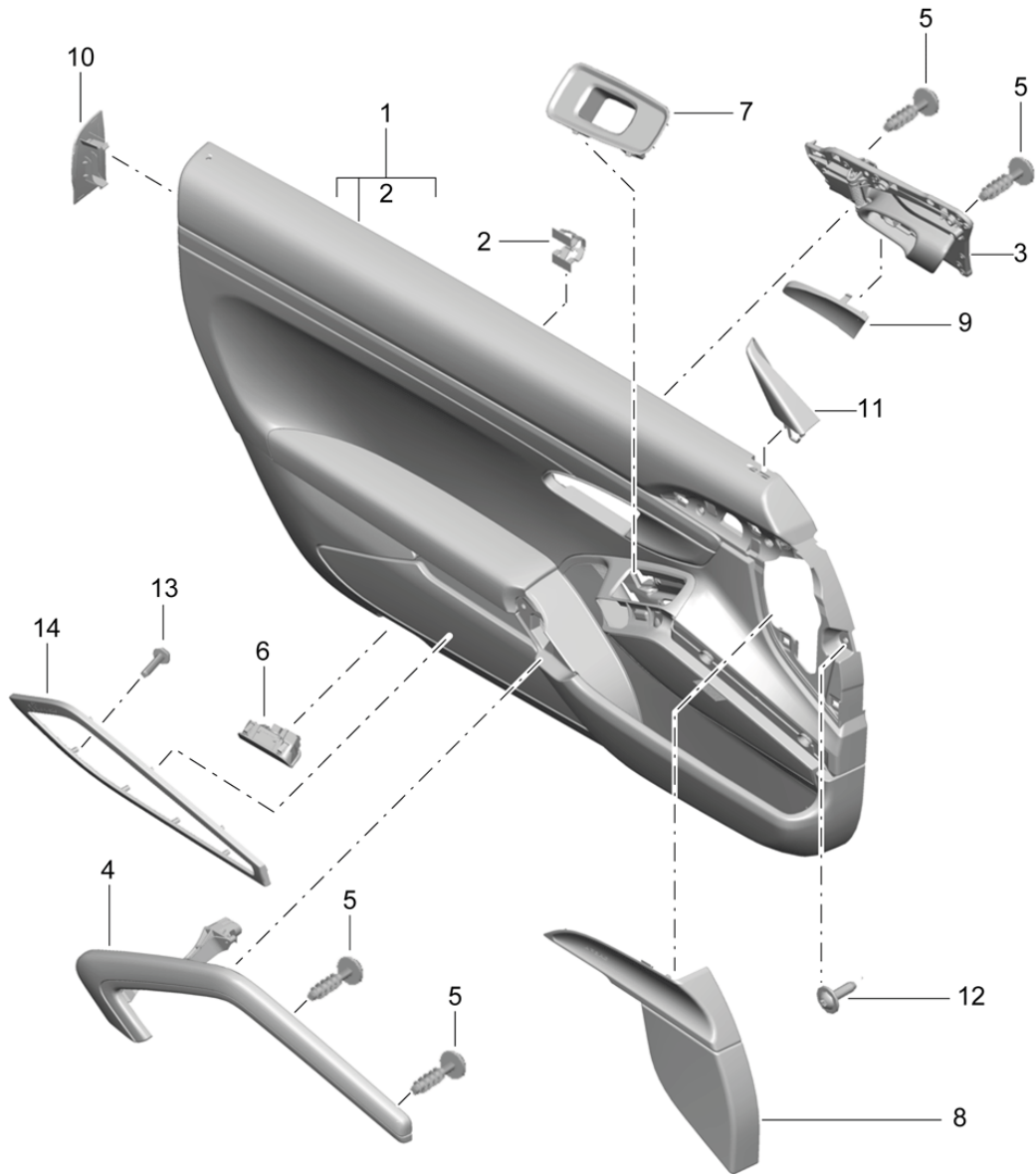
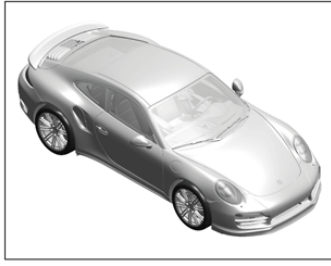
Model: 991T13

Model life 2014>>

Pos	Part Number	Description	Remark	Qty	Model
	991 555 683 00 4H0	Luxor beige	-UZ		
	991 555 683 00 2F0	yachting blue	-EZ		
	991 555 683 00 OP1	agate grey	-DK,BV		
	991 555 683 00 7N0	Espresso	-NE,BH		
	991 555 683 00 OW5	Carrera Red	-NG		
(10)	991 555 684 00	cover for airbag	right	1	
	991 555 684 00 1E0	Black	-AZ,BR,BL,BA, BQ		
	991 555 684 00 6L0	Platinum Grey	-CZ		
	991 555 684 00 4H0	Luxor beige	-UZ		
	991 555 684 00 2F0	yachting blue	-EZ		
	991 555 684 00 OP1	agate grey	-DK,BV		
	991 555 684 00 7N0	Espresso	-NE,BH		
	991 555 684 00 OW5	Carrera Red	-NG		
11	991 555 741 00	Cover panel window frame	left	1	
	991 555 741 00 1E0	Black			
(11)	991 555 742 00	Cover panel window frame	right	1	
	991 555 742 00 1E0	Black			
12	999 073 322 02	fillister hd. bolt M 6 X 20		8	
13	999 919 167 09	fillister hd. bolt M 3 X 10		10	PR:682
14	991 555 581 00	decorative frame Loudspeaker trim	left	1	PR:682
	991 555 581 00 V08	Galvano silver			
(14)	991 555 582 00	decorative frame Loudspeaker trim	right	1	PR:682
	991 555 582 00 V08	Galvano silver			

Model: 991T13

Model life 2014>>



Model: 991T13 Model life 2014>>

Pos	Part Number	Description	Remark	Qty	Model
		door panel Accessories Trim Carbon D >> - MJ 2016			PR:XWC,788
1	991 555 993 13	Door panel trim (leather) Leather	left lhd	1	PR:XWC,098, 680,981, -537,-625
	991 555 993 13 A11	Black	-AZ		
	991 555 993 13 9B0	Platinum Grey	-CZ		
	991 555 993 13 7J0	Luxor beige	-UZ		
	991 555 993 13 6A0	yachting blue	-EZ		
	991 555 993 13 OA1	agate grey	-DK		
	991 555 993 13 6J0	Espresso	-NE		
	991 555 993 13 N12	Carrera Red two-colour	-NG		
	991 555 993 13 GEG	Black/Platinum Grey	-BR		
	991 555 993 13 GMG	Agate Grey/Pebble Grey	-BV		
	991 555 993 13 GRG	Espresso/Cognac	-BH		
	991 555 993 13 DTO	Black/Luxor Beige	-BL		
(1)	991 555 993 13 DQW	Black/Carrera Red	-BA,BQ		
	991 555 993 13	Door panel trim (leather) Leather	left rhd	1	PR:XWC,099, 680,981,-625
	991 555 993 13 A11	Black	-AZ		
	991 555 993 13 9B0	Platinum Grey	-CZ		
	991 555 993 13 7J0	Luxor beige	-UZ		
	991 555 993 13 6A0	yachting blue	-EZ		
	991 555 993 13 OA1	agate grey	-DK		
	991 555 993 13 6J0	Espresso	-NE		
	991 555 993 13 N12	Carrera Red two-colour	-NG		
	991 555 993 13 GEG	Black/Platinum Grey	-BR		
	991 555 993 13 GMG	Agate Grey/Pebble Grey	-BV		
	991 555 993 13 GRG	Espresso/Cognac	-BH		
	991 555 993 13 DTO	Black/Luxor Beige	-BL		
(1)	991 555 993 13 DQW	Black/Carrera Red	-BA,BQ		
	991 555 994 13	Door panel trim (leather) Leather	right	1	PR:XWC,680, 981,-538, -625
	991 555 994 13 A11	Black	-AZ		
	991 555 994 13 9B0	Platinum Grey	-CZ		
	991 555 994 13 7J0	Luxor beige	-UZ		
	991 555 994 13 6A0	yachting blue	-EZ		
	991 555 994 13 OA1	agate grey	-DK		
	991 555 994 13 6J0	Espresso	-NE		
	991 555 994 13 N12	Carrera Red two-colour	-NG		
	991 555 994 13 GEG	Black/Platinum Grey	-BR		
	991 555 994 13 GMG	Agate Grey/Pebble Grey	-BV		
	991 555 994 13 GRG	Espresso/Cognac	-BH		
	991 555 994 13 DTO	Black/Luxor Beige	-BL		
	991 555 994 13 DQW	Black/Carrera Red	-BA,BQ		
(1)	991 555 993 14	Door panel trim (leather)	left lhd	1	PR:XWC,098, 682,981, -537,-625
	991 555 993 14 A11	Black	-AZ		
	991 555 993 14 9B0	Platinum Grey	-CZ		
	991 555 993 14 7J0	Luxor beige	-UZ		
	991 555 993 14 6A0	yachting blue	-EZ		
	991 555 993 14 OA1	agate grey	-DK		
	991 555 993 14 6J0	Espresso	-NE		
	991 555 993 14 N12	Carrera Red two-colour	-NG		

Model: 991T13 Model life 2014>>

Pos	Part Number	Description	Remark	Qty	Model
	991 555 993 14 GEG	Black/Platinum Grey	-BR		
	991 555 993 14 GMG	Agate Grey/Pebble Grey	-BV		
	991 555 993 14 GRG	Espresso/Cognac	-BH		
	991 555 993 14 DTO	Black/Luxor Beige	-BL		
	991 555 993 14 DQW	Black/Carrera Red	-BA,BQ		
(1)	991 555 993 14	Door panel trim (leather)	left rhd	1	PR:XWC,099, 682,981,-625
	991 555 993 14 A11	Black	-AZ		
	991 555 993 14 9B0	Platinum Grey	-CZ		
	991 555 993 14 7J0	Luxor beige	-UZ		
	991 555 993 14 6A0	yachting blue	-EZ		
	991 555 993 14 OA1	agate grey	-DK		
	991 555 993 14 6J0	Espresso	-NE		
	991 555 993 14 N12	Carrera Red	-NG		
		two-colour			
	991 555 993 14 GEG	Black/Platinum Grey	-BR		
	991 555 993 14 GMG	Agate Grey/Pebble Grey	-BV		
	991 555 993 14 GRG	Espresso/Cognac	-BH		
	991 555 993 14 DTO	Black/Luxor Beige	-BL		
	991 555 993 14 DQW	Black/Carrera Red	-BA,BQ		
(1)	991 555 994 14	Door panel trim (leather)	right	1	PR:XWC,682, 981,-538, -625
	991 555 994 14 A11	Black	-AZ		
	991 555 994 14 9B0	Platinum Grey	-CZ		
	991 555 994 14 7J0	Luxor beige	-UZ		
	991 555 994 14 6A0	yachting blue	-EZ		
	991 555 994 14 OA1	agate grey	-DK		
	991 555 994 14 6J0	Espresso	-NE		
	991 555 994 14 N12	Carrera Red	-NG		
		two-colour			
	991 555 994 14 GEG	Black/Platinum Grey	-BR		
	991 555 994 14 GMG	Agate Grey/Pebble Grey	-BV		
	991 555 994 14 GRG	Espresso/Cognac	-BH		
	991 555 994 14 DTO	Black/Luxor Beige	-BL		
	991 555 994 14 DQW	Black/Carrera Red	-BA,BQ		
(1)	991 555 993 16	Door panel trim (leather)	left lhd	1	PR:XWC,098, 537,680,981, -625
	991 555 993 16 A11	Black	-AZ		
	991 555 993 16 9B0	Platinum Grey	-CZ		
	991 555 993 16 7J0	Luxor beige	-UZ		
	991 555 993 16 6A0	yachting blue	-EZ		
	991 555 993 16 OA1	agate grey	-DK		
	991 555 993 16 6J0	Espresso	-NE		
	991 555 993 16 N12	Carrera Red	-NG		
		two-colour			
	991 555 993 16 GEG	Black/Platinum Grey	-BR		
	991 555 993 16 GMG	Agate Grey/Pebble Grey	-BV		
	991 555 993 16 GRG	Espresso/Cognac	-BH		
	991 555 993 16 DTO	Black/Luxor Beige	-BL		
	991 555 993 16 DQW	Black/Carrera Red	-BA,BQ		
(1)	991 555 994 16	Door panel trim (leather)	right	1	PR:XWC,538, 680,981,-625
	991 555 994 16 A11	Black	-AZ		
	991 555 994 16 9B0	Platinum Grey	-CZ		
	991 555 994 16 7J0	Luxor beige	-UZ		
	991 555 994 16 6A0	yachting blue	-EZ		
	991 555 994 16 OA1	agate grey	-DK		
	991 555 994 16 6J0	Espresso	-NE		
	991 555 994 16 N12	Carrera Red	-NG		
		two-colour			
	991 555 994 16 GEG	Black/Platinum Grey	-BR		



Model: 991T13 Model life 2014>>

Pos	Part Number	Description	Remark	Qty	Model
(1)	991 555 994 16 GMG	Agate Grey/Pebble Grey	-BV	1	PR:XWC,098, 537,682,981, -625
	991 555 994 16 GRG	Espresso/Cognac	-BH		
	991 555 994 16 DTO	Black/Luxor Beige	-BL		
	991 555 994 16 DQW	Black/Carrera Red	-BA,BQ		
	991 555 993 17	Door panel trim (leather)	left lhd		
	991 555 993 17 A11	Black	-AZ		
	991 555 993 17 9B0	Platinum Grey	-CZ		
	991 555 993 17 7J0	Luxor beige	-UZ		
	991 555 993 17 6A0	yachting blue	-EZ		
	991 555 993 17 OA1	agate grey	-DK		
	991 555 993 17 6J0	Espresso	-NE		
	991 555 993 17 N12	Carrera Red two-colour	-NG		
	991 555 993 17 GEG	Black/Platinum Grey	-BR		
	991 555 993 17 GMG	Agate Grey/Pebble Grey	-BV		
(1)	991 555 993 17 GRG	Espresso/Cognac	-BH	1	PR:XWC,538, 682,981,-625
	991 555 993 17 DTO	Black/Luxor Beige	-BL		
	991 555 993 17 DQW	Black/Carrera Red	-BA,BQ		
	991 555 994 17	Door panel trim (leather)	right		
	991 555 994 17 A11	Black	-AZ		
	991 555 994 17 9B0	Platinum Grey	-CZ		
	991 555 994 17 7J0	Luxor beige	-UZ		
	991 555 994 17 6A0	yachting blue	-EZ		
	991 555 994 17 OA1	agate grey	-DK		
	991 555 994 17 6J0	Espresso	-NE		
	991 555 994 17 N12	Carrera Red two-colour	-NG		
	991 555 994 17 GEG	Black/Platinum Grey	-BR		
	991 555 994 17 GMG	Agate Grey/Pebble Grey	-BV		
	991 555 994 17 GRG	Espresso/Cognac	-BH		
(1)	991 555 994 17 DTO	Black/Luxor Beige	-BL	1	PR:XWC,098, 680,625,981, -537
	991 555 994 17 DQW	Black/Carrera Red	-BA,BQ		
	991 555 993 43	Door panel trim (leather)	left lhd		
	991 555 993 43 A11	Black	-AZ		
	991 555 993 43 9B0	Platinum Grey	-CZ		
	991 555 993 43 7J0	Luxor beige	-UZ		
	991 555 993 43 6A0	yachting blue	-EZ		
	991 555 993 43 OA1	agate grey	-DK		
	991 555 993 43 6J0	Espresso	-NE		
	991 555 993 43 N12	Carrera Red two-colour	-NG		
	991 555 993 43 GEG	Black/Platinum Grey	-BR		
	991 555 993 43 GMG	Agate Grey/Pebble Grey	-BV		
	991 555 993 43 GRG	Espresso/Cognac	-BH		
	991 555 993 43 DTO	Black/Luxor Beige	-BL		
(1)	991 555 993 43 DQW	Black/Carrera Red	-BA,BQ	1	PR:XWC,099, 680,625,981
	991 555 993 43	Door panel trim (leather)	left rhd		
	991 555 993 43 A11	Black	-AZ		
	991 555 993 43 9B0	Platinum Grey	-CZ		
	991 555 993 43 7J0	Luxor beige	-UZ		
	991 555 993 43 6A0	yachting blue	-EZ		
	991 555 993 43 OA1	agate grey	-DK		
	991 555 993 43 6J0	Espresso	-NE		
	991 555 993 43 N12	Carrera Red two-colour	-NG		
	991 555 993 43 GEG	Black/Platinum Grey	-BR		
	991 555 993 43 GMG	Agate Grey/Pebble Grey	-BV		

Model: 991T13 Model life 2014>>

Pos	Part Number	Description	Remark	Qty	Model
(1)	991 555 993 43 GRG	Espresso/Cognac	-BH	1	PR:XWC,680, 625,981,-538
	991 555 993 43 DTO	Black/Luxor Beige	-BL		
	991 555 993 43 DQW	Black/Carrera Red	-BA,BQ		
	991 555 994 43	Door panel trim (leather)	right		
	991 555 994 43 A11	Black	-AZ		
	991 555 994 43 9B0	Platinum Grey	-CZ		
	991 555 994 43 7J0	Luxor beige	-UZ		
	991 555 994 43 6A0	yachting blue	-EZ		
	991 555 994 43 OA1	agate grey	-DK		
	991 555 994 43 6J0	Espresso	-NE		
	991 555 994 43 N12	Carrera Red	-NG		
		two-colour			
991 555 994 43 GEG	Black/Platinum Grey	-BR			
991 555 994 43 GMG	Agate Grey/Pebble Grey	-BV			
991 555 994 43 GRG	Espresso/Cognac	-BH			
991 555 994 43 DTO	Black/Luxor Beige	-BL			
991 555 994 43 DQW	Black/Carrera Red	-BA,BQ			
(1)	991 555 993 44	Door panel trim (leather)	left lhd	1	PR:XWC,098, 682,625,981, -537
(1)	991 555 993 44 A11	Black	-AZ	1	PR:XWC,099, 682,625,981
	991 555 993 44 9B0	Platinum Grey	-CZ		
	991 555 993 44 7J0	Luxor beige	-UZ		
	991 555 993 44 6A0	yachting blue	-EZ		
	991 555 993 44 OA1	agate grey	-DK		
	991 555 993 44 6J0	Espresso	-NE		
	991 555 993 44 N12	Carrera Red	-NG		
		two-colour			
	991 555 993 44 GEG	Black/Platinum Grey	-BR		
	991 555 993 44 GMG	Agate Grey/Pebble Grey	-BV		
	991 555 993 44 GRG	Espresso/Cognac	-BH		
	991 555 993 44 DTO	Black/Luxor Beige	-BL		
991 555 993 44 DQW	Black/Carrera Red	-BA,BQ			
(1)	991 555 993 44	Door panel trim (leather)	left rhd	1	PR:XWC,099, 682,625,981
(1)	991 555 993 44 A11	Black	-AZ	1	PR:XWC,682, 625,981,-538
	991 555 993 44 9B0	Platinum Grey	-CZ		
	991 555 993 44 7J0	Luxor beige	-UZ		
	991 555 993 44 6A0	yachting blue	-EZ		
	991 555 993 44 OA1	agate grey	-DK		
	991 555 993 44 6J0	Espresso	-NE		
	991 555 993 44 N12	Carrera Red	-NG		
		two-colour			
	991 555 993 44 GEG	Black/Platinum Grey	-BR		
	991 555 993 44 GMG	Agate Grey/Pebble Grey	-BV		
	991 555 993 44 GRG	Espresso/Cognac	-BH		
	991 555 993 44 DTO	Black/Luxor Beige	-BL		
991 555 993 44 DQW	Black/Carrera Red	-BA,BQ			
(1)	991 555 994 44	Door panel trim (leather)	right	1	PR:XWC,682, 625,981,-538
(1)	991 555 994 44 A11	Black	-AZ	1	PR:XWC,682, 625,981,-538
	991 555 994 44 9B0	Platinum Grey	-CZ		
	991 555 994 44 7J0	Luxor beige	-UZ		
	991 555 994 44 6A0	yachting blue	-EZ		
	991 555 994 44 OA1	agate grey	-DK		
	991 555 994 44 6J0	Espresso	-NE		
	991 555 994 44 N12	Carrera Red	-NG		
		two-colour			
	991 555 994 44 GEG	Black/Platinum Grey	-BR		
	991 555 994 44 GMG	Agate Grey/Pebble Grey	-BV		
	991 555 994 44 GRG	Espresso/Cognac	-BH		
	991 555 994 44 DTO	Black/Luxor Beige	-BL		

Model: 991T13

Model life 2014>>

Pos	Part Number	Description	Remark	Qty	Model
(1)	991 555 994 44 DQW 991 555 993 46	Black/Carrera Red Door panel trim (leather)	-BA,BQ left lhd	1	PR:XWC,098, 537,625,680, 981
	991 555 993 46 A11	Black	-AZ		
	991 555 993 46 9B0	Platinum Grey	-CZ		
	991 555 993 46 7J0	Luxor beige	-UZ		
	991 555 993 46 6A0	yachting blue	-EZ		
	991 555 993 46 OA1	agate grey	-DK		
	991 555 993 46 6J0	Espresso	-NE		
	991 555 993 46 N12	Carrera Red two-colour	-NG		
	991 555 993 46 GEG	Black/Platinum Grey	-BR		
	991 555 993 46 GMG	Agate Grey/Pebble Grey	-BV		
	991 555 993 46 GRG	Espresso/Cognac	-BH		
	991 555 993 46 DTO	Black/Luxor Beige	-BL		
(1)	991 555 993 46 DQW 991 555 994 46	Black/Carrera Red Door panel trim (leather)	-BA,BQ right	1	PR:XWC,538, 625,680,981
	991 555 994 46 A11	Black	-AZ		
	991 555 994 46 9B0	Platinum Grey	-CZ		
	991 555 994 46 7J0	Luxor beige	-UZ		
	991 555 994 46 6A0	yachting blue	-EZ		
	991 555 994 46 OA1	agate grey	-DK		
	991 555 994 46 6J0	Espresso	-NE		
	991 555 994 46 N12	Carrera Red two-colour	-NG		
	991 555 994 46 GEG	Black/Platinum Grey	-BR		
	991 555 994 46 GMG	Agate Grey/Pebble Grey	-BV		
	991 555 994 46 GRG	Espresso/Cognac	-BH		
	991 555 994 46 DTO	Black/Luxor Beige	-BL		
(1)	991 555 994 46 DQW 991 555 993 47	Black/Carrera Red Door panel trim (leather)	-BA,BQ left lhd	1	PR:XWC,098, 537,625,682, 981
	991 555 993 47 A11	Black	-AZ		
	991 555 993 47 9B0	Platinum Grey	-CZ		
	991 555 993 47 7J0	Luxor beige	-UZ		
	991 555 993 47 6A0	yachting blue	-EZ		
	991 555 993 47 OA1	agate grey	-DK		
	991 555 993 47 6J0	Espresso	-NE		
	991 555 993 47 N12	Carrera Red two-colour	-NG		
	991 555 993 47 GEG	Black/Platinum Grey	-BR		
	991 555 993 47 GMG	Agate Grey/Pebble Grey	-BV		
	991 555 993 47 GRG	Espresso/Cognac	-BH		
	991 555 993 47 DTO	Black/Luxor Beige	-BL		
(1)	991 555 993 47 DQW 991 555 994 47	Black/Carrera Red Door panel trim (leather)	-BA,BQ right	1	PR:XWC,538, 625,682,981
	991 555 994 47 A11	Black	-AZ		
	991 555 994 47 9B0	Platinum Grey	-CZ		
	991 555 994 47 7J0	Luxor beige	-UZ		
	991 555 994 47 6A0	yachting blue	-EZ		
	991 555 994 47 OA1	agate grey	-DK		
	991 555 994 47 6J0	Espresso	-NE		
	991 555 994 47 N12	Carrera Red two-colour	-NG		
	991 555 994 47 GEG	Black/Platinum Grey	-BR		
	991 555 994 47 GMG	Agate Grey/Pebble Grey	-BV		
	991 555 994 47 GRG	Espresso/Cognac	-BH		
	991 555 994 47 DTO	Black/Luxor Beige	-BL		
	991 555 994 47 DQW	Black/Carrera Red	-BA,BQ		

Model: 991T13 Model life 2014>>

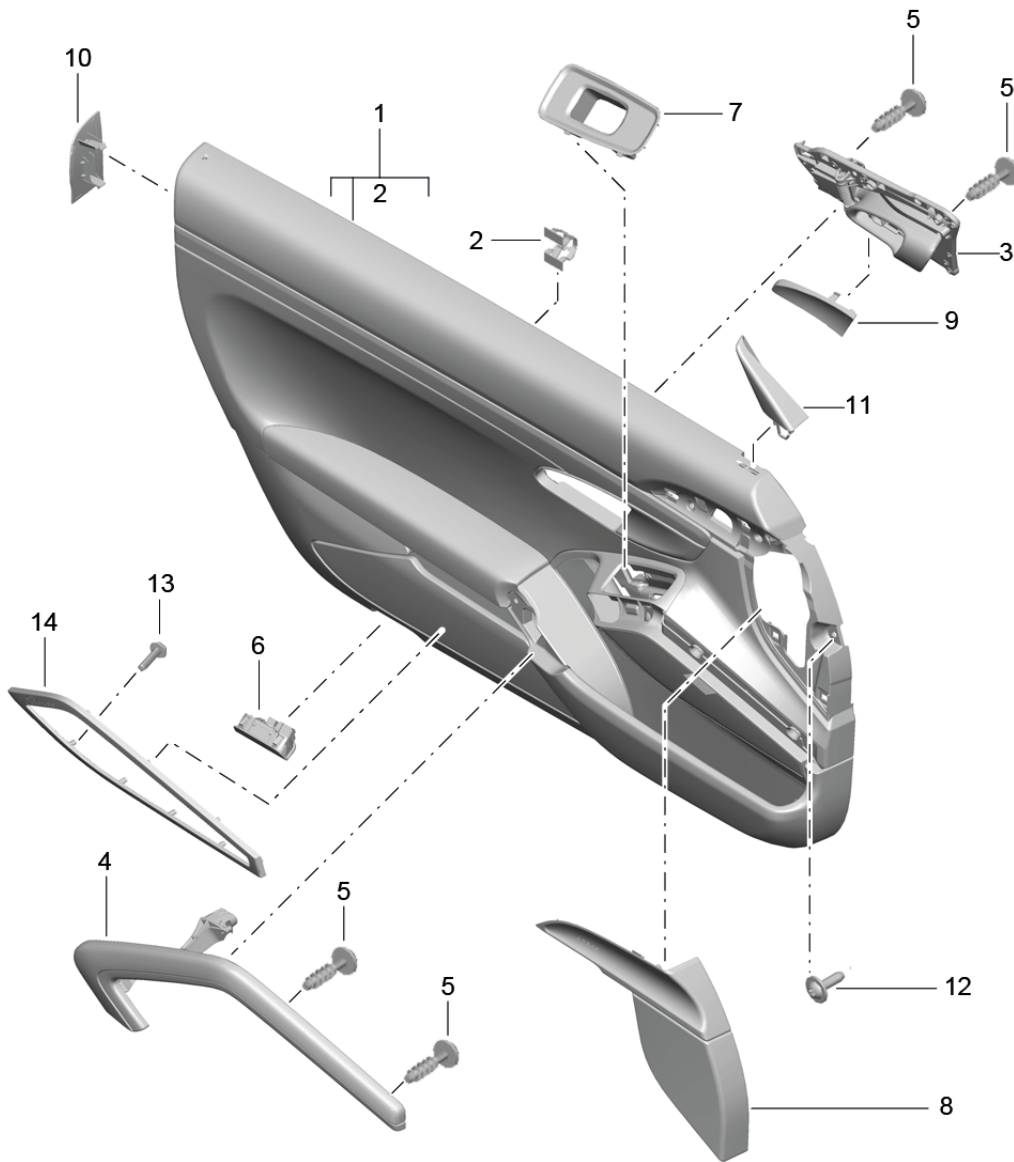
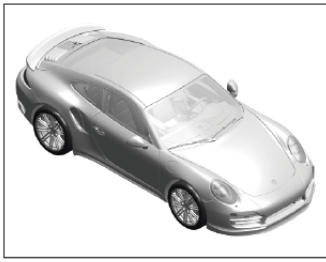
Pos	Part Number	Description	Remark	Qty	Model
2	999 507 533 02	Clamp 8,0 X 10,0 /2,5		4	
3	991 555 521 02	Inner actuator	left	1	
(3)	991 555 521 02 V08	Galvano silver			
	991 555 522 02	Inner actuator	right	1	
	991 555 522 02 V08	Galvano silver			
	4	991 555 533 00	Pull handle	left	1
		Leather			
	991 555 533 00 A11	Black	-AZ		
	991 555 533 00 9B0	Platinum Grey	-CZ, BR		
	991 555 533 00 7J0	Luxor beige	-UZ, BL		
	991 555 533 00 6A0	yachting blue	-EZ		
	991 555 533 00 OA1	agate grey	-DK		
	991 555 533 00 OD4	flint grey	-BV		
	991 555 533 00 6J0	Espresso	-NE		
	991 555 533 00 N12	Carrera Red	-NG, BA, BQ		
	991 555 533 00 7F0	Cognac	-BH		
(4)	991 555 534 00	Pull handle (leather)	right	1	
	991 555 534 00 A11	Black	-AZ		
	991 555 534 00 9B0	Platinum Grey	-CZ, BR		
	991 555 534 00 7J0	Luxor beige	-UZ, BL		
	991 555 534 00 6A0	yachting blue	-EZ		
	991 555 534 00 OA1	agate grey	-DK		
	991 555 534 00 OD4	flint grey	-BV		
	991 555 534 00 6J0	Espresso	-NE		
	991 555 534 00 N12	Carrera Red	-NG, BA, BQ		
	991 555 534 00 7F0	Cognac	-BH		
5	999 919 262 01	fillister hd. bolt 4,0 X 16,0		9	
6	970 632 135 00	Door warning light		2	
7	991 555 723 01	Mounting frame		1	
		Switch			
	991 555 723 01 1E0	Black			
8	991 555 721 02	Cover	left front	1	
		D - MJ 2015>>			
	991 555 721 02 5Q0	Black	-AZ, BR, BL, BA, BQ		
	991 555 721 02 4U0	Platinum Grey	-CZ		
	991 555 721 02 6W0	Luxor beige	-UZ		
	991 555 721 02 8Y0	yachting blue	-EZ		
	991 555 721 02 OA6	agate grey	-DK, BV		
	991 555 721 02 3T0	Espresso	-NE, BH		
	991 555 721 02 OE1	Carrera Red	-NG		
(8)	991 555 722 02	Cover	right front	1	
		D - MJ 2015>>			
	991 555 722 02 5Q0	Black	-AZ, BR, BL, BA, BQ		
	991 555 722 02 4U0	Platinum Grey	-CZ		
	991 555 722 02 6W0	Luxor beige	-UZ		
	991 555 722 02 8Y0	yachting blue	-EZ		
	991 555 722 02 OA6	agate grey	-DK, BV		
	991 555 722 02 3T0	Espresso	-NE, BH		
	991 555 722 02 OE1	Carrera Red	-NG		
(9)	7PP 837 247	Cover panel	left	1	
		Inner actuator			
	7PP 837 247 1E0	Black			
(9)	7PP 837 248	Cover panel	right	1	
		Inner actuator			
	7PP 837 248 1E0	Black			
10	991 555 683 01	cover for airbag	left	1	
		D - MJ 2015>>			

Model: 991T13 Model life 2014>>

Pos	Part Number	Description	Remark	Qty	Model
	991 555 683 01 5Q0	Black	-AZ, BR, BL, BA, BQ		
	991 555 683 01 4U0	Platinum Grey	-CZ		
	991 555 683 01 6W0	Luxor beige	-UZ		
	991 555 683 01 8Y0	yachting blue	-EZ		
	991 555 683 01 OA6	agate grey	-DK, BV		
	991 555 683 01 3T0	Espresso	-NE, BH		
10	991 555 683 01 OE1	Carrera Red	-NG		
	991 555 684 01	cover for airbag D - MJ 2015>>	right	1	
	991 555 684 01 5Q0	Black	-AZ, BR, BL, BA, BQ		
	991 555 684 01 4U0	Platinum Grey	-CZ		
	991 555 684 01 6W0	Luxor beige	-UZ		
	991 555 684 01 8Y0	yachting blue	-EZ		
	991 555 684 01 OA6	agate grey	-DK, BV		
	991 555 684 01 3T0	Espresso	-NE, BH		
	991 555 684 01 OE1	Carrera Red	-NG		
11	991 555 741 00	Cover panel window frame	left	1	
	991 555 741 00 1E0	Black			
(11)	991 555 742 00	Cover panel window frame	right	1	
	991 555 742 00 1E0	Black			
12	999 073 322 02	fillister hd. bolt M 6 X 20		8	
13	999 919 167 09	fillister hd. bolt M 3 X 10		10	PR:682
14	991 555 581 00	decorative frame Loudspeaker trim	left	1	PR:682
	991 555 581 00 V08	Galvano silver			
(14)	991 555 582 00	decorative frame Loudspeaker trim	right	1	PR:682
	991 555 582 00 V08	Galvano silver			

Model: 991T13

Model life 2014>>



Model: 991T13

Model life 2014>>

Pos	Part Number	Description	Remark	Qty	Model
		door panel Accessories Trim Carbon 2nd GENERATION D - MJ 2017>>			PR:XWC,981
1	991 555 993 13	Door panel trim (leather) Leather	left	1	PR:9VL,-537,-625
	991 555 993 13 A11	Black	-AZ		
	991 555 993 13 OA1	agate grey	-FZ		
	991 555 993 13 OH7	Graphite Blue	-HZ		
	991 555 993 13 OK6	saddle brown	-SZ		
	991 555 993 13 7J0	Luxor beige	-UZ		
	991 555 993 13 OG6	Bordeaux red	-LZ		
	991 555 993 13 6J0	Espresso	-NE		
	991 555 993 13 JHB	Black/Dark Silver	-TD		
(1)	991 555 993 13	Door panel trim (leather) Leather two-colour	left	1	PR:9VL,-537,-625
	991 555 993 13 DTO	Black/Luxor Beige	-BT		
	991 555 993 13 GUG	Black/Bordeaux Red	-BM		
	991 555 993 13 GTG	Graphite Blue/Chalk	-BG,TG		
	991 555 993 13 GRG	Espresso/Cognac	-BY		
(1)	991 555 994 13	Door panel trim (leather) Leather	right	1	PR:9VL,-538,-625
	991 555 994 13 A11	Black	-AZ		
	991 555 994 13 OA1	agate grey	-FZ		
	991 555 994 13 OH7	Graphite Blue	-HZ		
	991 555 994 13 OK6	saddle brown	-SZ		
	991 555 994 13 7J0	Luxor beige	-UZ		
	991 555 994 13 OG6	Bordeaux red	-LZ		
	991 555 994 13 6J0	Espresso	-NE		
	991 555 994 13 JHB	Black/Dark Silver	-TD		
(1)	991 555 994 13	Door panel trim (leather) Leather two-colour	right	1	PR:9VL,-538,-625
	991 555 994 13 DTO	Black/Luxor Beige	-BT		
	991 555 994 13 GUG	Black/Bordeaux Red	-BM		
	991 555 994 13 GTG	Graphite Blue/Chalk	-BG,TG		
	991 555 994 13 GRG	Espresso/Cognac	-BY		
(1)	991 555 993 14	Door panel trim (leather)	left	1	PR:9VJ,-537,-625
	991 555 993 14 A11	Black	-AZ		
	991 555 993 14 OA1	agate grey	-FZ		
	991 555 993 14 OH7	Graphite Blue	-HZ		
	991 555 993 14 OK6	saddle brown	-SZ		
	991 555 993 14 7J0	Luxor beige	-UZ		
	991 555 993 14 OG6	Bordeaux red	-LZ		
	991 555 993 14 6J0	Espresso	-NE		
	991 555 993 14 JHB	Black/Dark Silver	-TD		
(1)	991 555 993 14	Door panel trim (leather)	left	1	PR:9VJ,-537,-625
	991 555 993 14 DTO	Black/Luxor Beige	-BT		
	991 555 993 14 GUG	Black/Bordeaux Red	-BM		
	991 555 993 14 GTG	Graphite Blue/Chalk	-BG,TG		
	991 555 993 14 GRG	Espresso/Cognac	-BY		
(1)	991 555 994 14	Door panel trim (leather)	right	1	PR:9VJ,-538,-625
	991 555 994 14 A11	Black	-AZ		
	991 555 994 14 OA1	agate grey	-FZ		
	991 555 994 14 OH7	Graphite Blue	-HZ		
	991 555 994 14 OK6	saddle brown	-SZ		

Model: 991T13 Model life 2014>>

Pos	Part Number	Description	Remark	Qty	Model
(1)	991 555 994 14 7J0	Luxor beige	-UZ	1	PR:9VJ,-538,-625
	991 555 994 14 OG6	Bordeaux red	-LZ		
	991 555 994 14 6J0	Espresso	-NE		
	991 555 994 14 JHB	Black/Dark Silver	-TD		
	991 555 994 14	Door panel trim (leather)	right		
(1)		two-colour		1	PR:9VL,537,-625,098
	991 555 994 14 DTO	Black/Luxor Beige	-BT		
	991 555 994 14 GUG	Black/Bordeaux Red	-BM		
	991 555 994 14 GTG	Graphite Blue/Chalk	-BG,TG		
	991 555 994 14 GRG	Espresso/Cognac	-BY		
	991 555 993 16	Door panel trim (leather)	left lhd		
	991 555 993 16 A11	Black	-AZ		
	991 555 993 16 OA1	agate grey	-FZ		
	991 555 993 16 OH7	Graphite Blue	-HZ		
	991 555 993 16 OK6	saddle brown	-SZ		
(1)	991 555 993 16 7J0	Luxor beige	-UZ	1	PR:9VL,537,-625,098
	991 555 993 16 OG6	Bordeaux red	-LZ		
	991 555 993 16 6J0	Espresso	-NE		
	991 555 993 16 JHB	Black/Dark Silver	-TD		
	991 555 993 16	Door panel trim (leather)	left lhd		
		two-colour			
	991 555 993 16 DTO	Black/Luxor Beige	-BT		
	991 555 993 16 GUG	Black/Bordeaux Red	-BM		
	991 555 993 16 GTG	Graphite Blue/Chalk	-BG,TG		
	991 555 993 16 GRG	Espresso/Cognac	-BY		
(1)	991 555 994 16	Door panel trim (leather)	right rhd	1	PR:9VL,538,-625,099
	991 555 994 16 A11	Black	-AZ		
	991 555 994 16 OA1	agate grey	-FZ		
	991 555 994 16 OH7	Graphite Blue	-HZ		
	991 555 994 16 OK6	saddle brown	-SZ		
	991 555 994 16 7J0	Luxor beige	-UZ		
	991 555 994 16 OG6	Bordeaux red	-LZ		
	991 555 994 16 6J0	Espresso	-NE		
	991 555 994 16 JHB	Black/Dark Silver	-TD		
	991 555 994 16	Door panel trim (leather)	right rhd		
(1)		two-colour		1	PR:9VJ,537,-625,098
	991 555 994 16 DTO	Black/Luxor Beige	-BT		
	991 555 994 16 GUG	Black/Bordeaux Red	-BM		
	991 555 994 16 GTG	Graphite Blue/Chalk	-BG,TG		
	991 555 994 16 GRG	Espresso/Cognac	-BY		
	991 555 993 17	Door panel trim (leather)	left lhd		
	991 555 993 17 A11	Black	-AZ		
	991 555 993 17 OA1	agate grey	-FZ		
	991 555 993 17 OH7	Graphite Blue	-HZ		
	991 555 993 17 OK6	saddle brown	-SZ		
(1)	991 555 993 17 7J0	Luxor beige	-UZ	1	PR:9VJ,537,-625,098
	991 555 993 17 OG6	Bordeaux red	-LZ		
	991 555 993 17 6J0	Espresso	-NE		
	991 555 993 17 JHB	Black/Dark Silver	-TD		
	991 555 993 17	Door panel trim (leather)	left lhd		
		two-colour			
	991 555 993 17 DTO	Black/Luxor Beige	-BT		
	991 555 993 17 GUG	Black/Bordeaux Red	-BM		
	991 555 993 17 GTG	Graphite Blue/Chalk	-BG,TG		
	991 555 993 17 GRG	Espresso/Cognac	-BY		
(1)	991 555 994 17	Door panel trim (leather)	right rhd	1	PR:9VJ,538,



Model: 991T13 Model life 2014>>

Pos	Part Number	Description	Remark	Qty	Model
	991 555 994 17 A11	Black	-AZ		-625,099
	991 555 994 17 OA1	agate grey	-FZ		
	991 555 994 17 OH7	Graphite Blue	-HZ		
	991 555 994 17 OK6	saddle brown	-SZ		
	991 555 994 17 7J0	Luxor beige	-UZ		
	991 555 994 17 OG6	Bordeaux red	-LZ		
	991 555 994 17 6J0	Espresso	-NE		
	991 555 994 17 JHB	Black/Dark Silver	-TD		
(1)	991 555 994 17	Door panel trim (leather)	right rhd	1	PR:9VJ,538, -625,099
		two-colour			
	991 555 994 17 DTO	Black/Luxor Beige	-BT		
	991 555 994 17 GUG	Black/Bordeaux Red	-BM		
	991 555 994 17 GTG	Graphite Blue/Chalk	-BG,TG		
	991 555 994 17 GRG	Espresso/Cognac	-BY		
(1)	991 555 993 43	Door panel trim (leather)	left	1	PR:9VL,625, -537
	991 555 993 43 A11	Black	-AZ		
	991 555 993 43 OA1	agate grey	-FZ		
	991 555 993 43 OH7	Graphite Blue	-HZ		
	991 555 993 43 OK6	saddle brown	-SZ		
	991 555 993 43 7J0	Luxor beige	-UZ		
	991 555 993 43 OG6	Bordeaux red	-LZ		
	991 555 993 43 6J0	Espresso	-NE		
	991 555 993 43 JHB	Black/Dark Silver	-TD		
(1)	991 555 993 43	Door panel trim (leather)	left	1	PR:9VL,625, -537
		two-colour			
	991 555 993 43 DTO	Black/Luxor Beige	-BT		
	991 555 993 43 GUG	Black/Bordeaux Red	-BM		
	991 555 993 43 GTG	Graphite Blue/Chalk	-BG,TG		
	991 555 993 43 GRG	Espresso/Cognac	-BY		
(1)	991 555 994 43	Door panel trim (leather)	right	1	PR:9VL,625, -538
	991 555 994 43 A11	Black	-AZ		
	991 555 994 43 OA1	agate grey	-FZ		
	991 555 994 43 OH7	Graphite Blue	-HZ		
	991 555 994 43 OK6	saddle brown	-SZ		
	991 555 994 43 7J0	Luxor beige	-UZ		
	991 555 994 43 OG6	Bordeaux red	-LZ		
	991 555 994 43 6J0	Espresso	-NE		
	991 555 994 43 JHB	Black/Dark Silver	-TD		
(1)	991 555 994 43	Door panel trim (leather)	right	1	PR:9VL,625, -538
		two-colour			
	991 555 994 43 DTO	Black/Luxor Beige	-BT		
	991 555 994 43 GUG	Black/Bordeaux Red	-BM		
	991 555 994 43 GTG	Graphite Blue/Chalk	-BG,TG		
	991 555 994 43 GRG	Espresso/Cognac	-BY		
(1)	991 555 993 44	Door panel trim (leather)	left	1	PR:9VJ,625, -537
	991 555 993 44 A11	Black	-AZ		
	991 555 993 44 OA1	agate grey	-FZ		
	991 555 993 44 OH7	Graphite Blue	-HZ		
	991 555 993 44 OK6	saddle brown	-SZ		
	991 555 993 44 7J0	Luxor beige	-UZ		
	991 555 993 44 OG6	Bordeaux red	-LZ		
	991 555 993 44 6J0	Espresso	-NE		
	991 555 993 44 JHB	Black/Dark Silver	-TD		
(1)	991 555 993 44	Door panel trim (leather)	left	1	PR:9VJ,625, -537
		two-colour			

Model: 991T13 Model life 2014>>

Pos	Part Number	Description	Remark	Qty	Model			
(1)	991 555 993 44 DTO	Black/Luxor Beige	-BT	1	PR:9VJ,625, -538			
	991 555 993 44 GUG	Black/Bordeaux Red	-BM					
	991 555 993 44 GTG	Graphite Blue/Chalk	-BG,TG					
	991 555 993 44 GRG	Espresso/Cognac	-BY					
	991 555 994 44	Door panel trim (leather)	right					
	991 555 994 44 A11	Black	-AZ					
	991 555 994 44 OA1	agate grey	-FZ					
	991 555 994 44 OH7	Graphite Blue	-HZ					
	991 555 994 44 OK6	saddle brown	-SZ					
	991 555 994 44 7J0	Luxor beige	-UZ					
(1)	991 555 994 44 OG6	Bordeaux red	-LZ	1	PR:9VJ,625, -538			
	991 555 994 44 6J0	Espresso	-NE					
	991 555 994 44 JHB	Black/Dark Silver	-TD					
	991 555 994 44	Door panel trim (leather)	right					
		two-colour						
	991 555 994 44 DTO	Black/Luxor Beige	-BT					
	991 555 994 44 GUG	Black/Bordeaux Red	-BM					
	991 555 994 44 GTG	Graphite Blue/Chalk	-BG,TG					
	991 555 994 44 GRG	Espresso/Cognac	-BY					
	(1)	991 555 993 46	Door panel trim (leather)			left lhd	1	PR:9VL,537, 625,098
(1)	991 555 993 46 A11	Black	-AZ	1	PR:9VL,537, 625,098			
	991 555 993 46 OA1	agate grey	-FZ					
	991 555 993 46 OH7	Graphite Blue	-HZ					
	991 555 993 46 OK6	saddle brown	-SZ					
	991 555 993 46 7J0	Luxor beige	-UZ					
	991 555 993 46 OG6	Bordeaux red	-LZ					
	991 555 993 46 6J0	Espresso	-NE					
	991 555 993 46 JHB	Black/Dark Silver	-TD					
	(1)	991 555 993 46	Door panel trim (leather)			left lhd	1	PR:9VL,537, 625,098
		two-colour						
(1)	991 555 993 46 DTO	Black/Luxor Beige	-BT	1	PR:9VL,538, 625,099			
	991 555 993 46 GUG	Black/Bordeaux Red	-BM					
	991 555 993 46 GTG	Graphite Blue/Chalk	-BG,TG					
	991 555 993 46 GRG	Espresso/Cognac	-BY					
	(1)	991 555 994 46	Door panel trim (leather)			right rhd	1	PR:9VL,538, 625,099
	(1)	991 555 994 46 A11	Black			-AZ	1	PR:9VL,538, 625,099
		991 555 994 46 OA1	agate grey			-FZ		
		991 555 994 46 OH7	Graphite Blue			-HZ		
		991 555 994 46 OK6	saddle brown			-SZ		
		991 555 994 46 7J0	Luxor beige			-UZ		
991 555 994 46 OG6		Bordeaux red	-LZ					
991 555 994 46 6J0		Espresso	-NE					
991 555 994 46 JHB		Black/Dark Silver	-TD					
(1)		991 555 994 46	Door panel trim (leather)	right rhd	1	PR:9VL,538, 625,099		
		two-colour						
(1)	991 555 994 46 DTO	Black/Luxor Beige	-BT	1	PR:9VJ,537, 625,098			
	991 555 994 46 GUG	Black/Bordeaux Red	-BM					
	991 555 994 46 GTG	Graphite Blue/Chalk	-BG,TG					
	991 555 994 46 GRG	Espresso/Cognac	-BY					
	(1)	991 555 993 47	Door panel trim (leather)			left lhd	1	PR:9VJ,537, 625,098
	(1)	991 555 993 47 A11	Black			-AZ	1	PR:9VJ,537, 625,098
		991 555 993 47 OA1	agate grey			-FZ		
		991 555 993 47 OH7	Graphite Blue			-HZ		
		991 555 993 47 OK6	saddle brown			-SZ		
		991 555 993 47 7J0	Luxor beige			-UZ		
991 555 993 47 OG6		Bordeaux red	-LZ					

Model: 991T13 Model life 2014>>

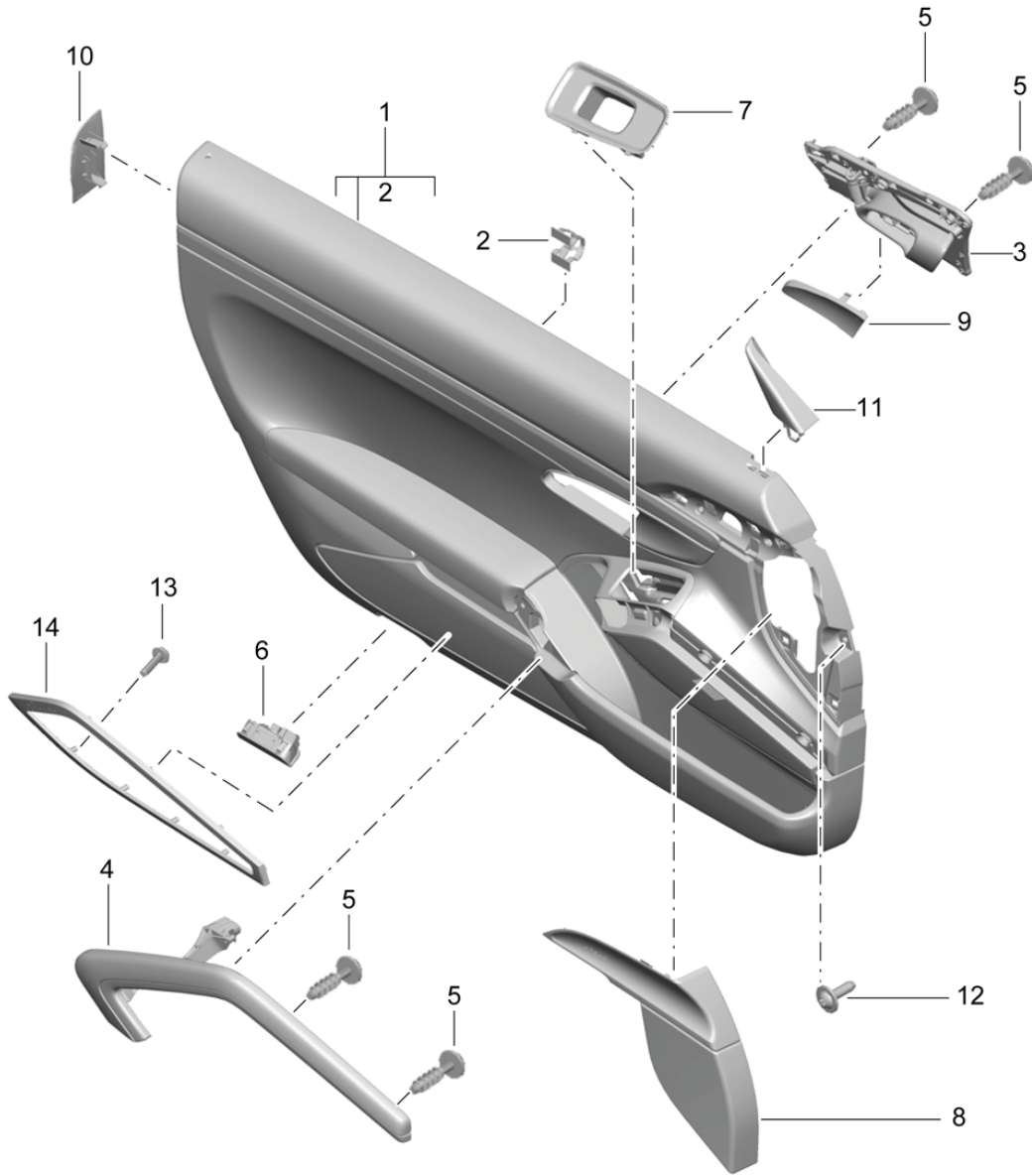
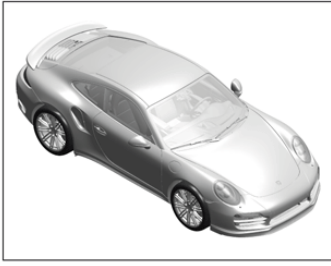
Pos	Part Number	Description	Remark	Qty	Model
(1)	991 555 993 47 6J0	Espresso	-NE	1	PR:9VJ,537, 625,098
	991 555 993 47 JHB	Black/Dark Silver	-TD		
	991 555 993 47	Door panel trim (leather)	left lhd		
		two-colour			
	991 555 993 47 DTO	Black/Luxor Beige	-BT		
	991 555 993 47 GUG	Black/Bordeaux Red	-BM		
(1)	991 555 993 47 GTG	Graphite Blue/Chalk	-BG,TG	1	PR:9VJ,538, 625,099
	991 555 993 47 GRG	Espresso/Cognac	-BY		
	991 555 994 47	Door panel trim (leather)	right rhd		
	991 555 994 47 A11	Black	-AZ		
	991 555 994 47 OA1	agate grey	-FZ		
	991 555 994 47 OH7	Graphite Blue	-HZ		
	991 555 994 47 OK6	saddle brown	-SZ		
	991 555 994 47 7J0	Luxor beige	-UZ		
	991 555 994 47 OG6	Bordeaux red	-LZ		
	991 555 994 47 6J0	Espresso	-NE		
(1)	991 555 994 47 JHB	Black/Dark Silver	-TD	1	PR:9VJ,538, 625,099
	991 555 994 47	Door panel trim (leather)	right rhd		
		two-colour			
	991 555 994 47 DTO	Black/Luxor Beige	-BT		
	991 555 994 47 GUG	Black/Bordeaux Red	-BM		
	991 555 994 47 GTG	Graphite Blue/Chalk	-BG,TG		
	991 555 994 47 GRG	Espresso/Cognac	-BY		
	991 555 993 65	Door trim (Alcantara)	left		
		Leather			
	991 555 993 65 RAI	Black/Platinum Grey	-78		
	991 555 993 65 RAJ	Black/Guards Red	-68		
	991 555 994 65	Door trim (Alcantara)	right		
		Leather			
	991 555 994 65 RAI	Black/Platinum Grey	-78		
991 555 994 65 RAJ	Black/Guards Red	-68			
2	999 507 533 02	Clamp		4	
		8,0 X 10,0 /2,5			
3	991 555 521 02	Inner actuator	left	1	
(3)	991 555 521 02 V08	Galvano silver		1	
	991 555 522 02	Inner actuator	right	1	
	991 555 522 02 V08	Galvano silver		1	
4	991 555 533 00	Pull handle	left	1	
		Leather			
(4)	991 555 533 00 A11	Black	-AZ	1	
	991 555 533 00 OA1	agate grey	-FZ		
	991 555 533 00 OH7	Graphite Blue	-HZ		
	991 555 533 00 OK6	saddle brown	-SZ		
	991 555 533 00 7J0	Luxor beige	-UZ,BT		
	991 555 533 00 OG6	Bordeaux red	-LZ,BM		
	991 555 533 00 OL8	Chalk	-BG,TG		
	991 555 533 00 6J0	Espresso	-NE		
	991 555 533 00 7F0	Cognac	-BY		
	991 555 533 00 JHB	Black/Dark Silver	-TD		
	991 555 534 00	Pull handle (leather)	right		
	991 555 534 00 A11	Black	-AZ		
	991 555 534 00 OA1	agate grey	-FZ		
	991 555 534 00 OH7	Graphite Blue	-HZ		
	991 555 534 00 OK6	saddle brown	-SZ		
	991 555 534 00 7J0	Luxor beige	-UZ,BT		
	991 555 534 00 OG6	Bordeaux red	-LZ,BM		
	991 555 534 00 OL8	Chalk	-BG,TG		
	991 555 534 00 6J0	Espresso	-NE		
	991 555 534 00 7F0	Cognac	-BY		
991 555 534 00 JHB	Black/Dark Silver	-TD			

Model: 991T13 Model life 2014>>

Pos	Part Number	Description	Remark	Qty	Model			
5	999 919 262 01	fillister hd. bolt 4,0 X 16,0		9				
6	970 632 135 00	Door warning light		2				
7	991 555 723 01	Mounting frame Switch		1				
8	991 555 723 01 1E0	Black		1				
	991 555 721 02	Cover	left					
			front					
	991 555 721 02 5Q0	Black	-AZ, BT, BM, TD					
	991 555 721 02 OA6	agate grey	-FZ					
	991 555 721 02 OH7	Graphite Blue	-HZ, BG, TG					
	991 555 721 02 OL7	saddle brown	-SZ					
	991 555 721 02 6W0	Luxor beige	-UZ					
	991 555 721 02 OG6	Bordeaux red	-LZ					
	991 555 721 02 3T0	Espresso	-NE, BY					
(8)	991 555 722 02	Cover	right	1				
(9)	991 555 722 02 5Q0	Black		1				
	991 555 722 02 OA6	agate grey	-AZ, BT, BM, TD					
	991 555 722 02 OH7	Graphite Blue	-FZ					
	991 555 722 02 OL7	saddle brown	-HZ, BG, TG					
	991 555 722 02 6W0	Luxor beige	-SZ					
	991 555 722 02 OG6	Bordeaux red	-UZ					
	991 555 722 02 3T0	Espresso	-LZ					
	991 555 722 02 3T0	Espresso	-NE, BY					
	7PP 837 247	Cover panel	left					
	7PP 837 247 1E0	Black						
(9)	7PP 837 248	Cover panel	right	1				
		Inner actuator						
	7PP 837 248 1E0	Black						
10	991 555 683 01	cover for airbag	left	1				
	991 555 683 01 5Q0	Black	-AZ, BT, BM, TD					
	991 555 683 01 OA6	agate grey	-FZ					
	991 555 683 01 OH7	Graphite Blue	-HZ, BG, TG					
	991 555 683 01 OL7	saddle brown	-SZ					
	991 555 683 01 6W0	Luxor beige	-UZ					
	991 555 683 01 OG6	Bordeaux red	-LZ					
	991 555 683 01 3T0	Espresso	-NE, BY					
	(10)	991 555 684 01	cover for airbag			right	1	
		991 555 684 01 5Q0	Black			-AZ, BT, BM, TD		
	991 555 684 01 OA6	agate grey	-FZ					
	991 555 684 01 OH7	Graphite Blue	-HZ, BG, TG					
	991 555 684 01 OL7	saddle brown	-SZ					
	991 555 684 01 6W0	Luxor beige	-UZ					
	991 555 684 01 OG6	Bordeaux red	-LZ					
	991 555 684 01 3T0	Espresso	-NE, BY					
11	991 555 741 00	Cover panel	left	1				
		window frame						
(11)	991 555 741 00 1E0	Black		1				
	991 555 742 00	Cover panel	right					
		window frame						
	991 555 742 00 1E0	Black						
12	999 073 322 02	fillister hd. bolt M 6 X 20		8				
13	999 919 167 09	fillister hd. bolt M 3 X 10		10	PR:9VJ			
14	991 555 581 00	decorative frame	left	1	PR:9VJ			
		Loudspeaker trim						
(14)	991 555 581 00 V08	Galvano silver		1	PR:9VJ			
	991 555 582 00	decorative frame	right					
		Loudspeaker trim						
	991 555 582 00 V08	Galvano silver						

Model: 991T13

Model life 2014>>



Model: 991T13 Model life 2014>>

Pos	Part Number	Description	Remark	Qty	Model
		door panel Accessories Trim Aluminium, brushed D >> - MJ 2016			PR:XWD
1	991 555 913 25	Door panel trim (leather)	left lhd	1	PR:XWD,098, 680,981, -537,-625
	991 555 913 25 A11	Black	-AZ		
	991 555 913 25 9B0	Platinum Grey	-CZ		
	991 555 913 25 7J0	Luxor beige	-UZ		
	991 555 913 25 6A0	yachting blue	-EZ		
	991 555 913 25 OA1	agate grey	-DK		
	991 555 913 25 6J0	Espresso	-NE		
	991 555 913 25 N12	Carrera Red	-NG		
		two-colour			
	991 555 913 25 GEG	Black/Platinum Grey	-BR		
	991 555 913 25 GMG	Agate Grey/Pebble Grey	-BV		
	991 555 913 25 GRG	Espresso/Cognac	-BH		
	991 555 913 25 DTO	Black/Luxor Beige	-BL		
(1)	991 555 913 25 DQW	Black/Carrera Red	-BA,BQ		
	991 555 913 25	Door panel trim (leather)	left rhd	1	PR:XWD,099, 680,981,-625
	991 555 913 25 A11	Black	-AZ		
	991 555 913 25 9B0	Platinum Grey	-CZ		
	991 555 913 25 7J0	Luxor beige	-UZ		
	991 555 913 25 6A0	yachting blue	-EZ		
	991 555 913 25 OA1	agate grey	-DK		
	991 555 913 25 6J0	Espresso	-NE		
	991 555 913 25 N12	Carrera Red	-NG		
		two-colour			
	991 555 913 25 GEG	Black/Platinum Grey	-BR		
	991 555 913 25 GMG	Agate Grey/Pebble Grey	-BV		
	991 555 913 25 GRG	Espresso/Cognac	-BH		
	991 555 913 25 DTO	Black/Luxor Beige	-BL		
(1)	991 555 913 25 DQW	Black/Carrera Red	-BA,BQ		
	991 555 914 25	Door panel trim (leather)	right	1	PR:XWD,680, 981,-538, -625
	991 555 914 25 A11	Black	-AZ		
	991 555 914 25 9B0	Platinum Grey	-CZ		
	991 555 914 25 7J0	Luxor beige	-UZ		
	991 555 914 25 6A0	yachting blue	-EZ		
	991 555 914 25 OA1	agate grey	-DK		
	991 555 914 25 6J0	Espresso	-NE		
	991 555 914 25 N12	Carrera Red	-NG		
		two-colour			
	991 555 914 25 GEG	Black/Platinum Grey	-BR		
	991 555 914 25 GMG	Agate Grey/Pebble Grey	-BV		
	991 555 914 25 GRG	Espresso/Cognac	-BH		
	991 555 914 25 DTO	Black/Luxor Beige	-BL		
	991 555 914 25 DQW	Black/Carrera Red	-BA,BQ		
(1)	991 555 913 26	Door panel trim (leather)	left lhd	1	PR:XWD,098, 682,981, -537,-625
	991 555 913 26 A11	Black	-AZ		
	991 555 913 26 9B0	Platinum Grey	-CZ		
	991 555 913 26 7J0	Luxor beige	-UZ		
	991 555 913 26 6A0	yachting blue	-EZ		
	991 555 913 26 OA1	agate grey	-DK		
	991 555 913 26 6J0	Espresso	-NE		
	991 555 913 26 N12	Carrera Red	-NG		
		two-colour			

Model: 991T13

Model life 2014>>

Pos	Part Number	Description	Remark	Qty	Model
(1)	991 555 913 26 GEG	Black/Platinum Grey	-BR	1	PR:XWD,099, 682,981,-625
	991 555 913 26 GMG	Agate Grey/Pebble Grey	-BV		
	991 555 913 26 GRG	Espresso/Cognac	-BH		
	991 555 913 26 DTO	Black/Luxor Beige	-BL		
	991 555 913 26 DQW	Black/Carrera Red	-BA,BQ		
	991 555 913 26	Door panel trim (leather)	left rhd		
	991 555 913 26 A11	Black	-AZ		
	991 555 913 26 9B0	Platinum Grey	-CZ		
	991 555 913 26 7J0	Luxor beige	-UZ		
	991 555 913 26 6A0	yachting blue	-EZ		
	991 555 913 26 OA1	agate grey	-DK		
	991 555 913 26 6J0	Espresso	-NE		
991 555 913 26 N12	Carrera Red	-NG			
(1)	991 555 913 26 GEG	Black/Platinum Grey	-BR	1	PR:XWD,682, 981,-538, -625
	991 555 913 26 GMG	Agate Grey/Pebble Grey	-BV		
	991 555 913 26 GRG	Espresso/Cognac	-BH		
	991 555 913 26 DTO	Black/Luxor Beige	-BL		
	991 555 913 26 DQW	Black/Carrera Red	-BA,BQ		
	991 555 914 26	Door panel trim (leather)	right		
	991 555 914 26 A11	Black	-AZ		
	991 555 914 26 9B0	Platinum Grey	-CZ		
	991 555 914 26 7J0	Luxor beige	-UZ		
	991 555 914 26 6A0	yachting blue	-EZ		
	991 555 914 26 OA1	agate grey	-DK		
	991 555 914 26 6J0	Espresso	-NE		
991 555 914 26 N12	Carrera Red	-NG			
(1)	991 555 914 26 GEG	Black/Platinum Grey	-BR	1	PR:XWD,098, 537,680,981, -625
	991 555 914 26 GMG	Agate Grey/Pebble Grey	-BV		
	991 555 914 26 GRG	Espresso/Cognac	-BH		
	991 555 914 26 DTO	Black/Luxor Beige	-BL		
	991 555 914 26 DQW	Black/Carrera Red	-BA,BQ		
	991 555 913 28	Door panel trim (leather)	left lhd		
	991 555 913 28 A11	Black	-AZ		
	991 555 913 28 9B0	Platinum Grey	-CZ		
	991 555 913 28 7J0	Luxor beige	-UZ		
	991 555 913 28 6A0	yachting blue	-EZ		
	991 555 913 28 OA1	agate grey	-DK		
	991 555 913 28 6J0	Espresso	-NE		
991 555 913 28 N12	Carrera Red	-NG			
(1)	991 555 913 28 GEG	Black/Platinum Grey	-BR	1	PR:XWD,538, 680,981,-625
	991 555 913 28 GMG	Agate Grey/Pebble Grey	-BV		
	991 555 913 28 GRG	Espresso/Cognac	-BH		
	991 555 913 28 DTO	Black/Luxor Beige	-BL		
	991 555 913 28 DQW	Black/Carrera Red	-BA,BQ		
	991 555 914 28	Door panel trim (leather)	right		
	991 555 914 28 A11	Black	-AZ		
	991 555 914 28 9B0	Platinum Grey	-CZ		
	991 555 914 28 7J0	Luxor beige	-UZ		
	991 555 914 28 6A0	yachting blue	-EZ		
	991 555 914 28 OA1	agate grey	-DK		
	991 555 914 28 6J0	Espresso	-NE		
991 555 914 28 N12	Carrera Red	-NG			
991 555 914 28 GEG	Black/Platinum Grey	-BR			

Model: 991T13

Model life 2014>>

Pos	Part Number	Description	Remark	Qty	Model
(1)	991 555 914 28 GMG	Agate Grey/Pebble Grey	-BV	1	PR:XWD,098, 537,682,981, -625
	991 555 914 28 GRG	Espresso/Cognac	-BH		
	991 555 914 28 DTO	Black/Luxor Beige	-BL		
	991 555 914 28 DQW	Black/Carrera Red	-BA,BQ		
	991 555 913 29	Door panel trim (leather)	left lhd		
	991 555 913 29 A11	Black	-AZ		
	991 555 913 29 9B0	Platinum Grey	-CZ		
	991 555 913 29 7J0	Luxor beige	-UZ		
	991 555 913 29 6A0	yachting blue	-EZ		
	991 555 913 29 OA1	agate grey	-DK		
	991 555 913 29 6J0	Espresso	-NE		
	991 555 913 29 N12	Carrera Red two-colour	-NG		
	991 555 913 29 GEG	Black/Platinum Grey	-BR		
	991 555 913 29 GMG	Agate Grey/Pebble Grey	-BV		
(1)	991 555 913 29 GRG	Espresso/Cognac	-BH	1	PR:XWD,538, 682,981,-625
	991 555 913 29 DTO	Black/Luxor Beige	-BL		
	991 555 913 29 DQW	Black/Carrera Red	-BA,BQ		
	991 555 914 29	Door panel trim (leather)	right		
	991 555 914 29 A11	Black	-AZ		
	991 555 914 29 9B0	Platinum Grey	-CZ		
	991 555 914 29 7J0	Luxor beige	-UZ		
	991 555 914 29 6A0	yachting blue	-EZ		
	991 555 914 29 OA1	agate grey	-DK		
	991 555 914 29 6J0	Espresso	-NE		
	991 555 914 29 N12	Carrera Red two-colour	-NG		
	991 555 914 29 GEG	Black/Platinum Grey	-BR		
	991 555 914 29 GMG	Agate Grey/Pebble Grey	-BV		
	991 555 914 29 GRG	Espresso/Cognac	-BH		
(1)	991 555 914 29 DTO	Black/Luxor Beige	-BL	1	PR:XWD,098, 625,680,981, -537
	991 555 914 29 DQW	Black/Carrera Red	-BA,BQ		
	991 555 913 55	Door panel trim (leather)	left lhd		
	991 555 913 55 A11	Black	-AZ		
	991 555 913 55 9B0	Platinum Grey	-CZ		
	991 555 913 55 7J0	Luxor beige	-UZ		
	991 555 913 55 6A0	yachting blue	-EZ		
	991 555 913 55 OA1	agate grey	-DK		
	991 555 913 55 6J0	Espresso	-NE		
	991 555 913 55 N12	Carrera Red two-colour	-NG		
	991 555 913 55 GEG	Black/Platinum Grey	-BR		
	991 555 913 55 GMG	Agate Grey/Pebble Grey	-BV		
	991 555 913 55 GRG	Espresso/Cognac	-BH		
	991 555 913 55 DTO	Black/Luxor Beige	-BL		
(1)	991 555 913 55 DQW	Black/Carrera Red	-BA,BQ	1	PR:XWD,099, 625,680,981
	991 555 913 55	Door panel trim (leather)	left rhd		
	991 555 913 55 A11	Black	-AZ		
	991 555 913 55 9B0	Platinum Grey	-CZ		
	991 555 913 55 7J0	Luxor beige	-UZ		
	991 555 913 55 6A0	yachting blue	-EZ		
	991 555 913 55 OA1	agate grey	-DK		
	991 555 913 55 6J0	Espresso	-NE		
	991 555 913 55 N12	Carrera Red two-colour	-NG		
	991 555 913 55 GEG	Black/Platinum Grey	-BR		
	991 555 913 55 GMG	Agate Grey/Pebble Grey	-BV		



Model: 991T13 Model life 2014>>

Pos	Part Number	Description	Remark	Qty	Model
(1)	991 555 913 55 GRG	Espresso/Cognac	-BH	1	PR:XWD,625, 680,981,-538
	991 555 913 55 DTO	Black/Luxor Beige	-BL		
	991 555 913 55 DQW	Black/Carrera Red	-BA,BQ		
	991 555 914 55	Door panel trim (leather)	right		
	991 555 914 55 A11	Black	-AZ		
	991 555 914 55 9B0	Platinum Grey	-CZ		
	991 555 914 55 7J0	Luxor beige	-UZ		
	991 555 914 55 6A0	yachting blue	-EZ		
	991 555 914 55 OA1	agate grey	-DK		
	991 555 914 55 6J0	Espresso	-NE		
	991 555 914 55 N12	Carrera Red	-NG		
		two-colour			
991 555 914 55 GEG	Black/Platinum Grey	-BR			
991 555 914 55 GMG	Agate Grey/Pebble Grey	-BV			
991 555 914 55 GRG	Espresso/Cognac	-BH			
991 555 914 55 DTO	Black/Luxor Beige	-BL			
(1)	991 555 914 55 DQW	Black/Carrera Red	-BA,BQ	1	PR:XWD,098, 625,682,981, -537
	991 555 913 56	Door panel trim (leather)	left lhd		
	991 555 913 56 A11	Black	-AZ		
	991 555 913 56 9B0	Platinum Grey	-CZ		
	991 555 913 56 7J0	Luxor beige	-UZ		
	991 555 913 56 6A0	yachting blue	-EZ		
	991 555 913 56 OA1	agate grey	-DK		
	991 555 913 56 6J0	Espresso	-NE		
	991 555 913 56 N12	Carrera Red	-NG		
		two-colour			
	991 555 913 56 GEG	Black/Platinum Grey	-BR		
	991 555 913 56 GMG	Agate Grey/Pebble Grey	-BV		
991 555 913 56 GRG	Espresso/Cognac	-BH			
991 555 913 56 DTO	Black/Luxor Beige	-BL			
(1)	991 555 913 56 DQW	Black/Carrera Red	-BA,BQ	1	PR:XWD,099, 625,682,981
	991 555 913 56	Door panel trim (leather)	left rhd		
	991 555 913 56 A11	Black	-AZ		
	991 555 913 56 9B0	Platinum Grey	-CZ		
	991 555 913 56 7J0	Luxor beige	-UZ		
	991 555 913 56 6A0	yachting blue	-EZ		
	991 555 913 56 OA1	agate grey	-DK		
	991 555 913 56 6J0	Espresso	-NE		
	991 555 913 56 N12	Carrera Red	-NG		
		two-colour			
	991 555 913 56 GEG	Black/Platinum Grey	-BR		
	991 555 913 56 GMG	Agate Grey/Pebble Grey	-BV		
991 555 913 56 GRG	Espresso/Cognac	-BH			
991 555 913 56 DTO	Black/Luxor Beige	-BL			
(1)	991 555 913 56 DQW	Black/Carrera Red	-BA,BQ	1	PR:XWD,625, 682,981,-538
	991 555 914 56	Door panel trim (leather)	right		
	991 555 914 56 A11	Black	-AZ		
	991 555 914 56 9B0	Platinum Grey	-CZ		
	991 555 914 56 7J0	Luxor beige	-UZ		
	991 555 914 56 6A0	yachting blue	-EZ		
	991 555 914 56 OA1	agate grey	-DK		
	991 555 914 56 6J0	Espresso	-NE		
	991 555 914 56 N12	Carrera Red	-NG		
		two-colour			
	991 555 914 56 GEG	Black/Platinum Grey	-BR		
	991 555 914 56 GMG	Agate Grey/Pebble Grey	-BV		
991 555 914 56 GRG	Espresso/Cognac	-BH			
991 555 914 56 DTO	Black/Luxor Beige	-BL			

Model: 991T13

Model life 2014>>

Pos	Part Number	Description	Remark	Qty	Model
(1)	991 555 914 56 DQW 991 555 913 58	Black/Carrera Red Door panel trim (leather)	-BA,BQ left lhd	1	PR:XWD,098, 537,625,680, 981
	991 555 913 58 A11 991 555 913 58 9B0 991 555 913 58 7J0 991 555 913 58 6A0 991 555 913 58 OA1 991 555 913 58 6J0 991 555 913 58 N12	Black Platinum Grey Luxor beige yachting blue agate grey Espresso Carrera Red two-colour	-AZ -CZ -UZ -EZ -DK -NE -NG		
	991 555 913 58 GEG 991 555 913 58 GMG 991 555 913 58 GRG 991 555 913 58 DTO	Black/Platinum Grey Agate Grey/Pebble Grey Espresso/Cognac Black/Luxor Beige	-BR -BV -BH -BL		
(1)	991 555 913 58 DQW 991 555 914 58	Black/Carrera Red Door panel trim (leather)	-BA,BQ right	1	PR:XWD,538, 625,680,981
	991 555 914 58 A11 991 555 914 58 9B0 991 555 914 58 7J0 991 555 914 58 6A0 991 555 914 58 OA1 991 555 914 58 6J0 991 555 914 58 N12	Black Platinum Grey Luxor beige yachting blue agate grey Espresso Carrera Red two-colour	-AZ -CZ -UZ -EZ -DK -NE -NG		
	991 555 914 58 GEG 991 555 914 58 GMG 991 555 914 58 GRG 991 555 914 58 DTO	Black/Platinum Grey Agate Grey/Pebble Grey Espresso/Cognac Black/Luxor Beige	-BR -BV -BH -BL		
(1)	991 555 914 58 DQW 991 555 913 59	Black/Carrera Red Door panel trim (leather)	-BA,BQ left lhd	1	PR:XWD,098, 537,625,682, 981
	991 555 913 59 A11 991 555 913 59 9B0 991 555 913 59 7J0 991 555 913 59 6A0 991 555 913 59 OA1 991 555 913 59 6J0 991 555 913 59 N12	Black Platinum Grey Luxor beige yachting blue agate grey Espresso Carrera Red two-colour	-AZ -CZ -UZ -EZ -DK -NE -NG		
	991 555 913 59 GEG 991 555 913 59 GMG 991 555 913 59 GRG 991 555 913 59 DTO	Black/Platinum Grey Agate Grey/Pebble Grey Espresso/Cognac Black/Luxor Beige	-BR -BV -BH -BL		
(1)	991 555 913 59 DQW 991 555 914 59	Black/Carrera Red Door panel trim (leather)	-BA,BQ right	1	PR:XWD,538, 625,682,981
	991 555 914 59 A11 991 555 914 59 9B0 991 555 914 59 7J0 991 555 914 59 6A0 991 555 914 59 OA1 991 555 914 59 6J0 991 555 914 59 N12	Black Platinum Grey Luxor beige yachting blue agate grey Espresso Carrera Red two-colour	-AZ -CZ -UZ -EZ -DK -NE -NG		
	991 555 914 59 GEG 991 555 914 59 GMG 991 555 914 59 GRG 991 555 914 59 DTO 991 555 914 59 DQW	Black/Platinum Grey Agate Grey/Pebble Grey Espresso/Cognac Black/Luxor Beige Black/Carrera Red	-BR -BV -BH -BL -BA,BQ		

Model: 991T13 Model life 2014>>

Pos	Part Number	Description	Remark	Qty	Model
2	999 507 533 02	Clamp 8,0 X 10,0 /2,5		4	
3	991 555 521 02	Inner actuator	left	1	
(3)	991 555 521 02 V08	Galvano silver			
	991 555 522 02	Inner actuator	right	1	
	991 555 522 02 V08	Galvano silver			
	4	991 555 533 00	Pull handle	left	1
		Leather			
	991 555 533 00 A11	Black	-AZ		
	991 555 533 00 9B0	Platinum Grey	-CZ, BR		
	991 555 533 00 7J0	Luxor beige	-UZ, BL		
	991 555 533 00 6A0	yachting blue	-EZ		
	991 555 533 00 OA1	agate grey	-DK		
	991 555 533 00 OD4	flint grey	-BV		
	991 555 533 00 6J0	Espresso	-NE		
	991 555 533 00 N12	Carrera Red	-NG, BA		
	991 555 533 00 7F0	Cognac	-BH		
(4)	991 555 534 00	Pull handle (leather)	right	1	
	991 555 534 00 A11	Black	-AZ		
	991 555 534 00 9B0	Platinum Grey	-CZ, BR		
	991 555 534 00 7J0	Luxor beige	-UZ, BL		
	991 555 534 00 6A0	yachting blue	-EZ		
	991 555 534 00 OA1	agate grey	-DK		
	991 555 534 00 OD4	flint grey	-BV		
	991 555 534 00 6J0	Espresso	-NE		
	991 555 534 00 N12	Carrera Red	-NG, BA		
	991 555 534 00 7F0	Cognac	-BH		
5	999 919 262 01	fillister hd. bolt 4,0 X 16,0		9	
6	970 632 135 00	Door warning light		2	
7	991 555 723 01	Mounting frame		1	
		Switch			
	991 555 723 01 1E0	Black			
8	991 555 721 00	Cover	left	1	
			front		
	991 555 721 00 1E0	Black	-AZ, BR, BL, BA, BQ		
	991 555 721 00 6L0	Platinum Grey	-CZ		
	991 555 721 00 4H0	Luxor beige	-UZ		
	991 555 721 00 2F0	yachting blue	-EZ		
	991 555 721 00 OP1	agate grey	-DK, BV		
	991 555 721 00 7N0	Espresso	-NE, BH		
	991 555 721 00 OW5	Carrera Red	-NG		
8	991 555 722 00	Cover	right	1	
			front		
	991 555 722 00 1E0	Black	-AZ, BR, BL, BA, BQ		
	991 555 722 00 6L0	Platinum Grey	-CZ		
	991 555 722 00 4H0	Luxor beige	-UZ		
	991 555 722 00 2F0	yachting blue	-EZ		
	991 555 722 00 OP1	agate grey	-DK, BV		
	991 555 722 00 7N0	Espresso	-NE, BH		
	991 555 722 00 OW5	Carrera Red	-NG		
(9)	7PP 837 247	Cover panel	left	1	
		Inner actuator			
	7PP 837 247 1E0	Black			
(9)	7PP 837 248	Cover panel	right	1	
		Inner actuator			
	7PP 837 248 1E0	Black			
10	991 555 683 00	cover for airbag	left	1	
	991 555 683 00 1E0	Black	-AZ, BR, BL, BA, BQ		
	991 555 683 00 6L0	Platinum Grey	-CZ		

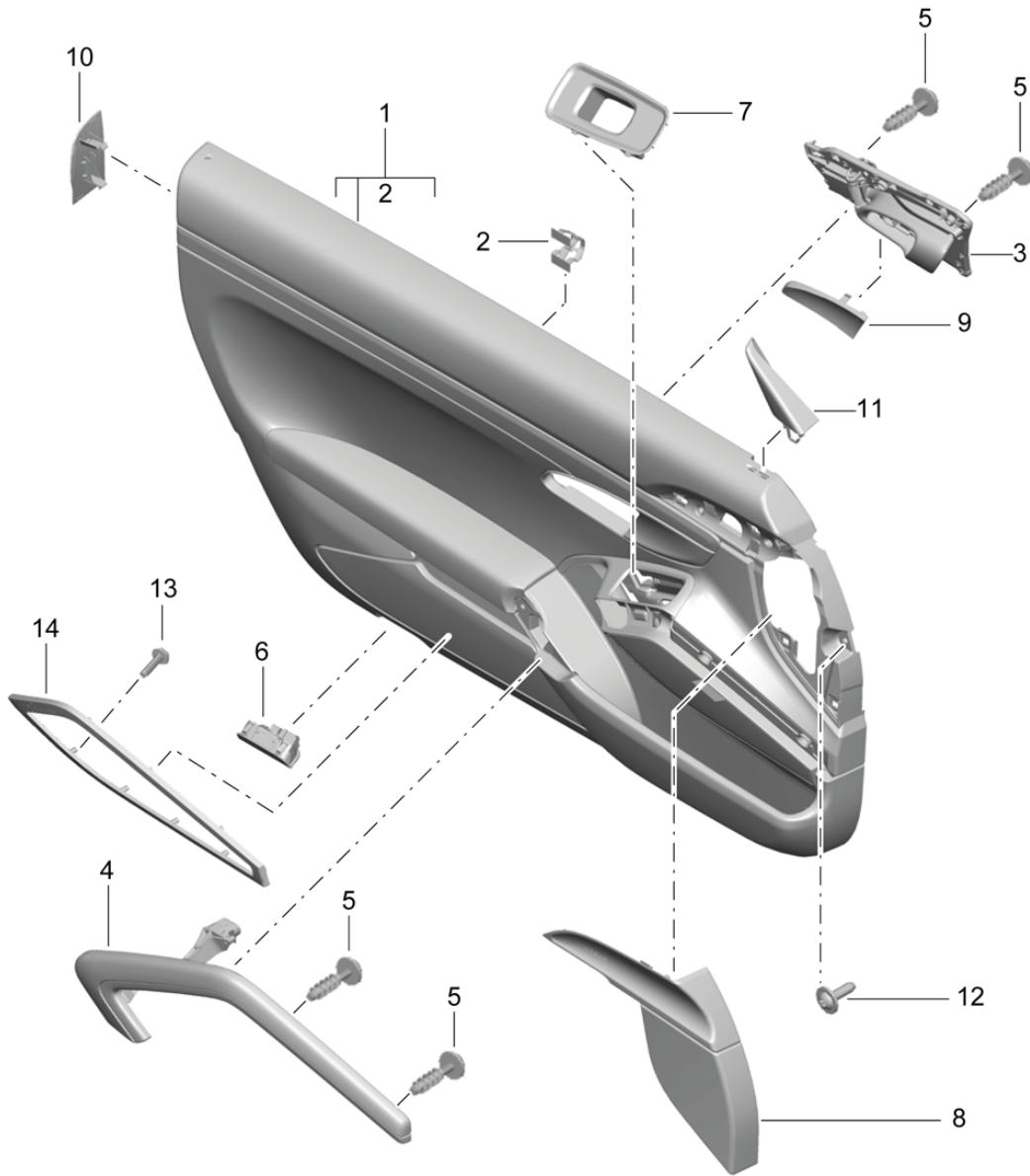
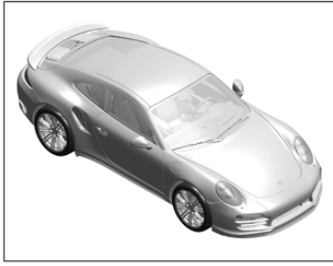
Model: 991T13

Model life 2014>>

Pos	Part Number	Description	Remark	Qty	Model
	991 555 683 00 4H0	Luxor beige	-UZ		
	991 555 683 00 2F0	yachting blue	-EZ		
	991 555 683 00 OP1	agate grey	-DK,BV		
	991 555 683 00 7N0	Espresso	-NE,BH		
	991 555 683 00 OW5	Carrera Red	-NG		
(10)	991 555 684 00	cover for airbag	right	1	
	991 555 684 00 1E0	Black	-AZ,BR,BL,BA, BQ		
	991 555 684 00 6L0	Platinum Grey	-CZ		
	991 555 684 00 4H0	Luxor beige	-UZ		
	991 555 684 00 2F0	yachting blue	-EZ		
	991 555 684 00 OP1	agate grey	-DK,BV		
	991 555 684 00 7N0	Espresso	-NE,BH		
	991 555 684 00 OW5	Carrera Red	-NG		
11	991 555 741 00	Cover panel window frame	left	1	
	991 555 741 00 1E0	Black			
(11)	991 555 742 00	Cover panel window frame	right	1	
	991 555 742 00 1E0	Black			
12	999 073 322 02	fillister hd. bolt M 6 X 20		8	
13	999 919 167 09	fillister hd. bolt M 3 X 10		10	PR:682
14	991 555 581 00	decorative frame Loudspeaker trim	left	1	PR:682
	991 555 581 00 V08	Galvano silver			
(14)	991 555 582 00	decorative frame Loudspeaker trim	right	1	PR:682
	991 555 582 00 V08	Galvano silver			

Model: 991T13

Model life 2014>>



Model: 991T13 Model life 2014>>

Pos	Part Number	Description	Remark	Qty	Model
		door panel Accessories Trim Aluminium, brushed D >> - MJ 2016			PR:XWD,788
1	991 555 993 25	door panel Leather	left lhd	1	PR:XWD,098, 680,981, -537,-625
	991 555 993 25 A11	Black	-AZ		
	991 555 993 25 9B0	Platinum Grey	-CZ		
	991 555 993 25 7J0	Luxor beige	-UZ		
	991 555 993 25 6A0	yachting blue	-EZ		
	991 555 993 25 OA1	agate grey	-DK		
	991 555 993 25 6J0	Espresso	-NE		
	991 555 993 25 N12	Carrera Red two-colour	-NG		
	991 555 993 25 GEG	Black/Platinum Grey	-BR		
	991 555 993 25 GMG	Agate Grey/Pebble Grey	-BV		
	991 555 993 25 GRG	Espresso/Cognac	-BH		
	991 555 993 25 DTO	Black/Luxor Beige	-BL		
(1)	991 555 993 25 DQW	Black/Carrera Red	-BA,BQ		
	991 555 993 25	door panel Leather	left rhd	1	PR:XWD,099, 680,981,-625
	991 555 993 25 A11	Black	-AZ		
	991 555 993 25 9B0	Platinum Grey	-CZ		
	991 555 993 25 7J0	Luxor beige	-UZ		
	991 555 993 25 6A0	yachting blue	-EZ		
	991 555 993 25 OA1	agate grey	-DK		
	991 555 993 25 6J0	Espresso	-NE		
	991 555 993 25 N12	Carrera Red two-colour	-NG		
	991 555 993 25 GEG	Black/Platinum Grey	-BR		
	991 555 993 25 GMG	Agate Grey/Pebble Grey	-BV		
	991 555 993 25 GRG	Espresso/Cognac	-BH		
	991 555 993 25 DTO	Black/Luxor Beige	-BL		
(1)	991 555 993 25 DQW	Black/Carrera Red	-BA,BQ		
	991 555 994 25	door panel Leather	right	1	PR:XWD,680, 981,-538, -625
	991 555 994 25 A11	Black	-AZ		
	991 555 994 25 9B0	Platinum Grey	-CZ		
	991 555 994 25 7J0	Luxor beige	-UZ		
	991 555 994 25 6A0	yachting blue	-EZ		
	991 555 994 25 OA1	agate grey	-DK		
	991 555 994 25 6J0	Espresso	-NE		
	991 555 994 25 N12	Carrera Red two-colour	-NG		
	991 555 994 25 GEG	Black/Platinum Grey	-BR		
	991 555 994 25 GMG	Agate Grey/Pebble Grey	-BV		
	991 555 994 25 GRG	Espresso/Cognac	-BH		
	991 555 994 25 DTO	Black/Luxor Beige	-BL		
	991 555 994 25 DQW	Black/Carrera Red	-BA,BQ		
(1)	991 555 993 26	Door panel trim (leather)	left lhd	1	PR:XWD,098, 682,981, -537,-625
	991 555 993 26 A11	Black	-AZ		
	991 555 993 26 9B0	Platinum Grey	-CZ		
	991 555 993 26 7J0	Luxor beige	-UZ		
	991 555 993 26 6A0	yachting blue	-EZ		
	991 555 993 26 OA1	agate grey	-DK		
	991 555 993 26 6J0	Espresso	-NE		
	991 555 993 26 N12	Carrera Red two-colour	-NG		

Model: 991T13

Model life 2014>>

Pos	Part Number	Description	Remark	Qty	Model
(1)	991 555 993 26 GEG	Black/Platinum Grey	-BR	1	PR:XWD,099, 682,981,-625
	991 555 993 26 GMG	Agate Grey/Pebble Grey	-BV		
	991 555 993 26 GRG	Espresso/Cognac	-BH		
	991 555 993 26 DTO	Black/Luxor Beige	-BL		
	991 555 993 26 DQW	Black/Carrera Red	-BA,BQ		
	991 555 993 26	Door panel trim (leather)	left rhd		
	991 555 993 26 A11	Black	-AZ		
	991 555 993 26 9B0	Platinum Grey	-CZ		
	991 555 993 26 7J0	Luxor beige	-UZ		
	991 555 993 26 6A0	yachting blue	-EZ		
	991 555 993 26 OA1	agate grey	-DK		
	991 555 993 26 6J0	Espresso	-NE		
	991 555 993 26 N12	Carrera Red	-NG		
	991 555 993 26 GEG	Black/Platinum Grey	-BR		
(1)	991 555 993 26 GMG	Agate Grey/Pebble Grey	-BV	1	PR:XWD,682, 981,-538, -625
	991 555 993 26 GRG	Espresso/Cognac	-BH		
	991 555 993 26 DTO	Black/Luxor Beige	-BL		
	991 555 993 26 DQW	Black/Carrera Red	-BA,BQ		
	991 555 994 26	Door panel trim (leather)	right		
	991 555 994 26 A11	Black	-AZ		
	991 555 994 26 9B0	Platinum Grey	-CZ		
	991 555 994 26 7J0	Luxor beige	-UZ		
	991 555 994 26 6A0	yachting blue	-EZ		
	991 555 994 26 OA1	agate grey	-DK		
	991 555 994 26 6J0	Espresso	-NE		
	991 555 994 26 N12	Carrera Red	-NG		
	991 555 994 26 GEG	Black/Platinum Grey	-BR		
	991 555 994 26 GMG	Agate Grey/Pebble Grey	-BV		
(1)	991 555 994 26 GRG	Espresso/Cognac	-BH	1	PR:XWD,098, 537,680,981, -625
	991 555 994 26 DTO	Black/Luxor Beige	-BL		
	991 555 994 26 DQW	Black/Carrera Red	-BA,BQ		
	991 555 993 28	Door panel trim (leather)	left lhd		
	991 555 993 28 A11	Black	-AZ		
	991 555 993 28 9B0	Platinum Grey	-CZ		
	991 555 993 28 7J0	Luxor beige	-UZ		
	991 555 993 28 6A0	yachting blue	-EZ		
	991 555 993 28 OA1	agate grey	-DK		
	991 555 993 28 6J0	Espresso	-NE		
	991 555 993 28 N12	Carrera Red	-NG		
	991 555 993 28 GEG	Black/Platinum Grey	-BR		
	991 555 993 28 GMG	Agate Grey/Pebble Grey	-BV		
	(1)	991 555 993 28 GRG	Espresso/Cognac		
991 555 993 28 DTO		Black/Luxor Beige	-BL		
991 555 993 28 DQW		Black/Carrera Red	-BA,BQ		
991 555 994 28		Door panel trim (leather)	right		
991 555 994 28 A11		Black	-AZ		
991 555 994 28 9B0		Platinum Grey	-CZ		
991 555 994 28 7J0		Luxor beige	-UZ		
991 555 994 28 6A0		yachting blue	-EZ		
991 555 994 28 OA1		agate grey	-DK		
991 555 994 28 6J0		Espresso	-NE		
991 555 994 28 N12		Carrera Red	-NG		
991 555 994 28 GEG		Black/Platinum Grey	-BR		

Model: 991T13

Model life 2014>>

Pos	Part Number	Description	Remark	Qty	Model
(1)	991 555 994 28 GMG	Agate Grey/Pebble Grey	-BV	1	PR:XWD,098, 537,682,981, -625
	991 555 994 28 GRG	Espresso/Cognac	-BH		
	991 555 994 28 DTO	Black/Luxor Beige	-BL		
	991 555 994 28 DQW	Black/Carrera Red	-BA,BQ		
	991 555 993 29	Door panel trim (leather)	left lhd		
	991 555 993 29 A11	Black	-AZ		
	991 555 993 29 9B0	Platinum Grey	-CZ		
	991 555 993 29 7J0	Luxor beige	-UZ		
	991 555 993 29 6A0	yachting blue	-EZ		
	991 555 993 29 OA1	agate grey	-DK		
	991 555 993 29 6J0	Espresso	-NE		
	991 555 993 29 N12	Carrera Red	-NG		
	991 555 993 29 GEG	Black/Platinum Grey	-BR		
(1)	991 555 994 29	Door panel trim (leather)	right	1	PR:XWD,538, 682,981,-625
	991 555 994 29 GMG	Agate Grey/Pebble Grey	-BV		
	991 555 994 29 GRG	Espresso/Cognac	-BH		
	991 555 994 29 DTO	Black/Luxor Beige	-BL		
	991 555 994 29 DQW	Black/Carrera Red	-BA,BQ		
	991 555 994 29 A11	Black	-AZ		
	991 555 994 29 9B0	Platinum Grey	-CZ		
	991 555 994 29 7J0	Luxor beige	-UZ		
	991 555 994 29 6A0	yachting blue	-EZ		
	991 555 994 29 OA1	agate grey	-DK		
	991 555 994 29 6J0	Espresso	-NE		
	991 555 994 29 N12	Carrera Red	-NG		
	991 555 994 29 GEG	Black/Platinum Grey	-BR		
(1)	991 555 993 55	Door panel trim (leather)	left lhd	1	PR:XWD,098, 680,625,981, -537
	991 555 994 29 GMG	Agate Grey/Pebble Grey	-BV		
	991 555 994 29 GRG	Espresso/Cognac	-BH		
	991 555 994 29 DTO	Black/Luxor Beige	-BL		
	991 555 994 29 DQW	Black/Carrera Red	-BA,BQ		
	991 555 993 55 A11	Black	-AZ		
	991 555 993 55 9B0	Platinum Grey	-CZ		
	991 555 993 55 7J0	Luxor beige	-UZ		
	991 555 993 55 6A0	yachting blue	-EZ		
	991 555 993 55 OA1	agate grey	-DK		
	991 555 993 55 6J0	Espresso	-NE		
	991 555 993 55 N12	Carrera Red	-NG		
	991 555 993 55 GEG	Black/Platinum Grey	-BR		
(1)	991 555 993 55	Door panel trim (leather)	left rhd	1	PR:XWD,099, 680,625,981
	991 555 993 55 GMG	Agate Grey/Pebble Grey	-BV		
	991 555 993 55 GRG	Espresso/Cognac	-BH		
	991 555 993 55 DTO	Black/Luxor Beige	-BL		
	991 555 993 55 DQW	Black/Carrera Red	-BA,BQ		
	991 555 993 55 A11	Black	-AZ		
	991 555 993 55 9B0	Platinum Grey	-CZ		
	991 555 993 55 7J0	Luxor beige	-UZ		
	991 555 993 55 6A0	yachting blue	-EZ		
	991 555 993 55 OA1	agate grey	-DK		
	991 555 993 55 6J0	Espresso	-NE		
	991 555 993 55 N12	Carrera Red	-NG		
	991 555 993 55 GEG	Black/Platinum Grey	-BR		
991 555 993 55 GMG	Agate Grey/Pebble Grey	-BV			



Model: 991T13 Model life 2014>>

Pos	Part Number	Description	Remark	Qty	Model
(1)	991 555 993 55 GRG	Espresso/Cognac	-BH	1	PR:XWD,680, 625,981,-538
	991 555 993 55 DTO	Black/Luxor Beige	-BL		
	991 555 993 55 DQW	Black/Carrera Red	-BA,BQ		
	991 555 994 55	Door panel trim (leather)	right		
	991 555 994 55 A11	Black	-AZ		
	991 555 994 55 9B0	Platinum Grey	-CZ		
	991 555 994 55 7J0	Luxor beige	-UZ		
	991 555 994 55 6A0	yachting blue	-EZ		
	991 555 994 55 OA1	agate grey	-DK		
	991 555 994 55 6J0	Espresso	-NE		
	991 555 994 55 N12	Carrera Red	-NG		
		two-colour			
991 555 994 55 GEG	Black/Platinum Grey	-BR			
991 555 994 55 GMG	Agate Grey/Pebble Grey	-BV			
991 555 994 55 GRG	Espresso/Cognac	-BH			
991 555 994 55 DTO	Black/Luxor Beige	-BL			
(1)	991 555 994 55 DQW	Black/Carrera Red	-BA,BQ	1	PR:XWD,098, 682,625,981, -537
	991 555 993 56	Door panel trim (leather)	left lhd		
	991 555 993 56 A11	Black	-AZ		
	991 555 993 56 9B0	Platinum Grey	-CZ		
	991 555 993 56 7J0	Luxor beige	-UZ		
	991 555 993 56 6A0	yachting blue	-EZ		
	991 555 993 56 OA1	agate grey	-DK		
	991 555 993 56 6J0	Espresso	-NE		
	991 555 993 56 N12	Carrera Red	-NG		
		two-colour			
	991 555 993 56 GEG	Black/Platinum Grey	-BR		
	991 555 993 56 GMG	Agate Grey/Pebble Grey	-BV		
991 555 993 56 GRG	Espresso/Cognac	-BH			
991 555 993 56 DTO	Black/Luxor Beige	-BL			
(1)	991 555 993 56 DQW	Black/Carrera Red	-BA,BQ	1	PR:XWD,099, 682,625,981
	991 555 993 56	Door panel trim (leather)	left rhd		
	991 555 993 56 A11	Black	-AZ		
	991 555 993 56 9B0	Platinum Grey	-CZ		
	991 555 993 56 7J0	Luxor beige	-UZ		
	991 555 993 56 6A0	yachting blue	-EZ		
	991 555 993 56 OA1	agate grey	-DK		
	991 555 993 56 6J0	Espresso	-NE		
	991 555 993 56 N12	Carrera Red	-NG		
		two-colour			
	991 555 993 56 GEG	Black/Platinum Grey	-BR		
	991 555 993 56 GMG	Agate Grey/Pebble Grey	-BV		
991 555 993 56 GRG	Espresso/Cognac	-BH			
991 555 993 56 DTO	Black/Luxor Beige	-BL			
(1)	991 555 993 56 DQW	Black/Carrera Red	-BA,BQ	1	PR:XWD,682, 625,981,-538
	991 555 994 56	Door panel trim (leather)	right		
	991 555 994 56 A11	Black	-AZ		
	991 555 994 56 9B0	Platinum Grey	-CZ		
	991 555 994 56 7J0	Luxor beige	-UZ		
	991 555 994 56 6A0	yachting blue	-EZ		
	991 555 994 56 OA1	agate grey	-DK		
	991 555 994 56 6J0	Espresso	-NE		
	991 555 994 56 N12	Carrera Red	-NG		
		two-colour			
	991 555 994 56 GEG	Black/Platinum Grey	-BR		
	991 555 994 56 GMG	Agate Grey/Pebble Grey	-BV		
991 555 994 56 GRG	Espresso/Cognac	-BH			
991 555 994 56 DTO	Black/Luxor Beige	-BL			

Model: 991T13

Model life 2014>>

Pos	Part Number	Description	Remark	Qty	Model
(1)	991 555 994 56 DQW 991 555 993 58	Black/Carrera Red Door panel trim (leather)	-BA,BQ left lhd	1	PR:XWD,098, 537,625,680, 981
	991 555 993 58 A11 991 555 993 58 9B0 991 555 993 58 7J0 991 555 993 58 6A0 991 555 993 58 OA1 991 555 993 58 6J0 991 555 993 58 N12	Black Platinum Grey Luxor beige yachting blue agate grey Espresso Carrera Red two-colour	-AZ -CZ -UZ -EZ -DK -NE -NG		
	991 555 993 58 GEG 991 555 993 58 GMG 991 555 993 58 GRG 991 555 993 58 DTO	Black/Platinum Grey Agate Grey/Pebble Grey Espresso/Cognac Black/Luxor Beige	-BR -BV -BH -BL		
(1)	991 555 993 58 DQW 991 555 994 58	Black/Carrera Red Door panel trim (leather)	-BA,BQ right	1	PR:XWD,538, 625,680,981
	991 555 994 58 A11 991 555 994 58 9B0 991 555 994 58 7J0 991 555 994 58 6A0 991 555 994 58 OA1 991 555 994 58 6J0 991 555 994 58 N12	Black Platinum Grey Luxor beige yachting blue agate grey Espresso Carrera Red two-colour	-AZ -CZ -UZ -EZ -DK -NE -NG		
	991 555 994 58 GEG 991 555 994 58 GMG 991 555 994 58 GRG 991 555 994 58 DTO	Black/Platinum Grey Agate Grey/Pebble Grey Espresso/Cognac Black/Luxor Beige	-BR -BV -BH -BL		
(1)	991 555 994 58 DQW 991 555 993 59	Black/Carrera Red Door panel trim (leather)	-BA,BQ left lhd	1	PR:XWD,098, 537,625,682, 981
	991 555 993 59 A11 991 555 993 59 9B0 991 555 993 59 7J0 991 555 993 59 6A0 991 555 993 59 OA1 991 555 993 59 6J0 991 555 993 59 N12	Black Platinum Grey Luxor beige yachting blue agate grey Espresso Carrera Red two-colour	-AZ -CZ -UZ -EZ -DK -NE -NG		
	991 555 993 59 GEG 991 555 993 59 GMG 991 555 993 59 GRG 991 555 993 59 DTO	Black/Platinum Grey Agate Grey/Pebble Grey Espresso/Cognac Black/Luxor Beige	-BR -BV -BH -BL		
(1)	991 555 993 59 DQW 991 555 994 59	Black/Carrera Red Door panel trim (leather)	-BA,BQ right	1	PR:XWD,538, 625,682,981
	991 555 994 59 A11 991 555 994 59 9B0 991 555 994 59 7J0 991 555 994 59 6A0 991 555 994 59 OA1 991 555 994 59 6J0 991 555 994 59 N12	Black Platinum Grey Luxor beige yachting blue agate grey Espresso Carrera Red two-colour	-AZ -CZ -UZ -EZ -DK -NE -NG		
	991 555 994 59 GEG 991 555 994 59 GMG 991 555 994 59 GRG 991 555 994 59 DTO 991 555 994 59 DQW	Black/Platinum Grey Agate Grey/Pebble Grey Espresso/Cognac Black/Luxor Beige Black/Carrera Red	-BR -BV -BH -BL -BA,BQ		

Model: 991T13 Model life 2014>>

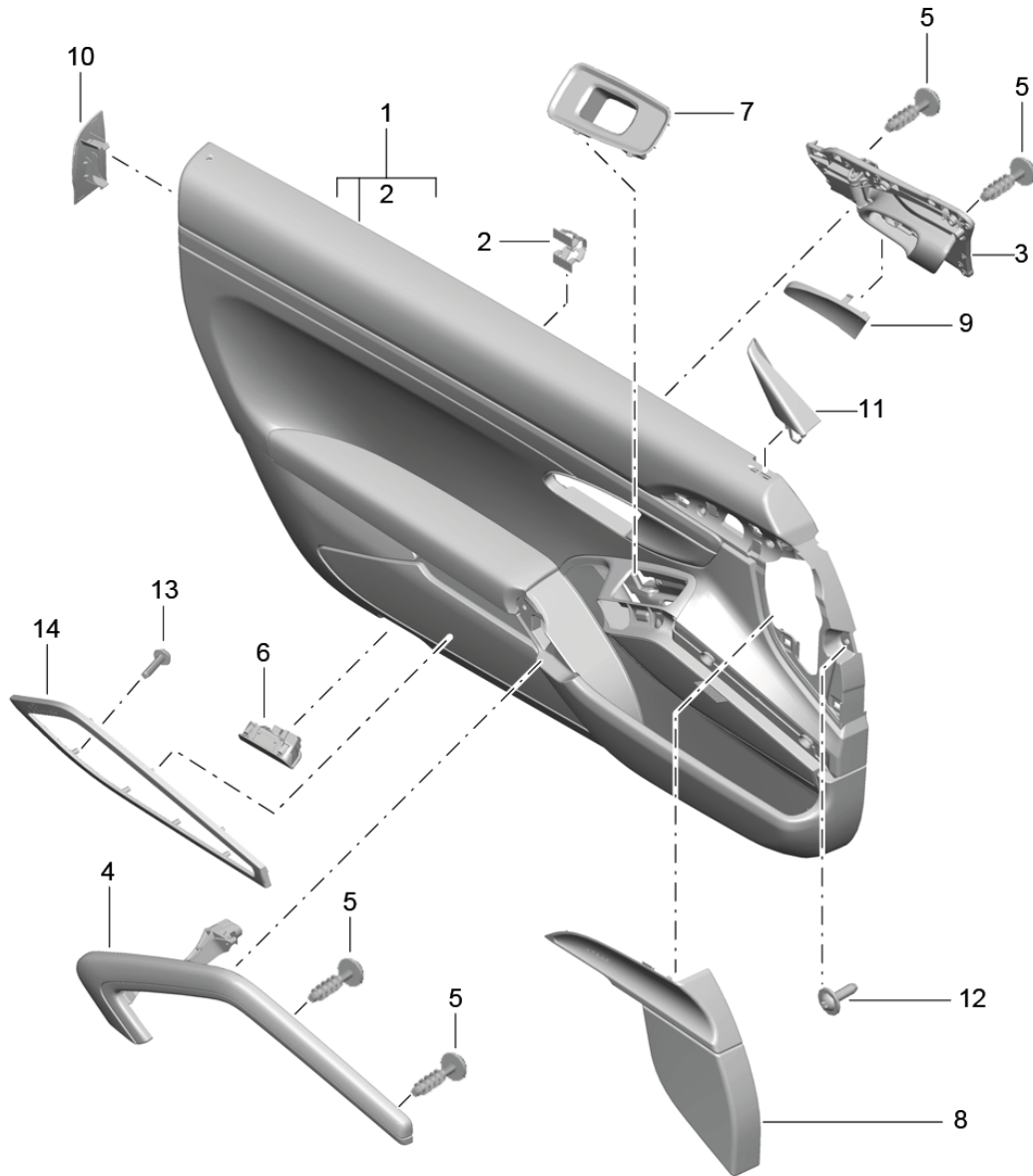
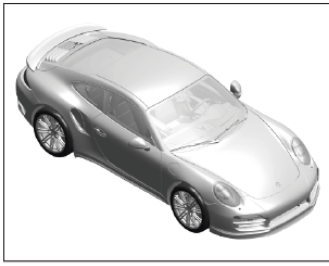
Pos	Part Number	Description	Remark	Qty	Model
2	999 507 533 02	Clamp 8,0 X 10,0 /2,5		4	
3	991 555 521 02	Inner actuator	left	1	
(3)	991 555 521 02 V08	Galvano silver			
	991 555 522 02	Inner actuator	right	1	
	991 555 522 02 V08	Galvano silver			
	4	991 555 533 00	Pull handle	left	1
(4)		Leather			
		991 555 533 00 A11	Black	-AZ	
		991 555 533 00 9B0	Platinum Grey	-CZ, BR	
		991 555 533 00 7J0	Luxor beige	-UZ, BL	
		991 555 533 00 6A0	yachting blue	-EZ	
		991 555 533 00 OA1	agate grey	-DK	
		991 555 533 00 OD4	flint grey	-BV	
		991 555 533 00 6J0	Espresso	-NE	
		991 555 533 00 N12	Carrera Red	-NG, BA, BQ	
		991 555 533 00 7F0	Cognac	-BH	
		991 555 534 00	Pull handle (leather)	right	1
		991 555 534 00 A11	Black	-AZ	
		991 555 534 00 9B0	Platinum Grey	-CZ, BR	
		991 555 534 00 7J0	Luxor beige	-UZ, BL	
		991 555 534 00 6A0	yachting blue	-EZ	
		991 555 534 00 OA1	agate grey	-DK	
	991 555 534 00 OD4	flint grey	-BV		
	991 555 534 00 6J0	Espresso	-NE		
	991 555 534 00 N12	Carrera Red	-NG, BA, BQ		
	991 555 534 00 7F0	Cognac	-BH		
5	999 919 262 01	fillister hd. bolt 4,0 X 16,0		9	
6	970 632 135 00	Door warning light		2	
7	991 555 723 01	Mounting frame		1	
		Switch			
		991 555 723 01 1E0	Black		
8	991 555 721 02	Cover	left front	1	
(8)		D - MJ 2015>>			
		991 555 721 02 5Q0	Black	-AZ, BR, BL, BA, BQ	
		991 555 721 02 4U0	Platinum Grey	-CZ	
		991 555 721 02 6W0	Luxor beige	-UZ	
		991 555 721 02 8Y0	yachting blue	-EZ	
		991 555 721 02 OA6	agate grey	-DK, BV	
		991 555 721 02 3T0	Espresso	-NE, BH	
		991 555 721 02 OE1	Carrera Red	-NG	
		991 555 722 02	Cover	right front	1
		D - MJ 2015>>			
(9)		991 555 722 02 5Q0	Black	-AZ, BR, BL, BA, BQ	
		991 555 722 02 4U0	Platinum Grey	-CZ	
		991 555 722 02 6W0	Luxor beige	-UZ	
		991 555 722 02 8Y0	yachting blue	-EZ	
		991 555 722 02 OA6	agate grey	-DK, BV	
		991 555 722 02 3T0	Espresso	-NE, BH	
		991 555 722 02 OE1	Carrera Red	-NG	
		7PP 837 247	Cover panel	left	1
			Inner actuator		
		7PP 837 247 1E0	Black		
(9)	7PP 837 248	Cover panel	right	1	
		Inner actuator			
		7PP 837 248 1E0	Black		
(10)	991 555 683 01	cover for airbag	left	1	
		D - MJ 2015>>			

Model: 991T13 Model life 2014>>

Pos	Part Number	Description	Remark	Qty	Model
	991 555 683 01 5Q0	Black	-AZ, BR, BL, BA, BQ		
	991 555 683 01 4U0	Platinum Grey	-CZ		
	991 555 683 01 6W0	Luxor beige	-UZ		
	991 555 683 01 8Y0	yachting blue	-EZ		
	991 555 683 01 OA6	agate grey	-DK, BV		
	991 555 683 01 3T0	Espresso	-NE, BH		
	991 555 683 01 OE1	Carrera Red	-NG		
(10)	991 555 684 01	cover for airbag D - MJ 2015>>	right	1	
	991 555 684 01 5Q0	Black	-AZ, BR, BL, BA, BQ		
	991 555 684 01 4U0	Platinum Grey	-CZ		
	991 555 684 01 6W0	Luxor beige	-UZ		
	991 555 684 01 8Y0	yachting blue	-EZ		
	991 555 684 01 OA6	agate grey	-DK, BV		
	991 555 684 01 3T0	Espresso	-NE, BH		
	991 555 684 01 OE1	Carrera Red	-NG		
11	991 555 741 00	Cover panel window frame	left	1	
	991 555 741 00 1E0	Black			
(11)	991 555 742 00	Cover panel window frame	right	1	
	991 555 742 00 1E0	Black			
12	999 073 322 02	fillister hd. bolt M 6 X 20		8	
13	999 919 167 09	fillister hd. bolt M 3 X 10		10	PR:682
14	991 555 581 00	decorative frame Loudspeaker trim	left	1	PR:682
	991 555 581 00 V08	Galvano silver			
(14)	991 555 582 00	decorative frame Loudspeaker trim	right	1	PR:682
	991 555 582 00 V08	Galvano silver			

Model: 991T13

Model life 2014>>



Model: 991T13

Model life 2014>>

Pos	Part Number	Description	Remark	Qty	Model
		door panel Accessories Trim Aluminium, brushed 2nd GENERATION D - MJ 2017>>			PR:XWD,981
1	991 555 993 25	door panel Leather	left	1	PR:9VL,-537,-625
	991 555 993 25 A11	Black	-AZ		
	991 555 993 25 OA1	agate grey	-FZ		
	991 555 993 25 OH7	Graphite Blue	-HZ		
	991 555 993 25 OK6	saddle brown	-SZ		
	991 555 993 25 7J0	Luxor beige	-UZ		
	991 555 993 25 OG6	Bordeaux red	-LZ		
	991 555 993 25 6J0	Espresso	-NE		
	991 555 993 25 JHB	Black/Dark Silver	-TD		
(1)	991 555 993 25	door panel Leather two-colour	left	1	PR:9VL,-537,-625
	991 555 993 25 DTO	Black/Luxor Beige	-BT		
	991 555 993 25 GUG	Black/Bordeaux Red	-BM		
	991 555 993 25 GTG	Graphite Blue/Chalk	-BG,TG		
	991 555 993 25 GRG	Espresso/Cognac	-BY		
(1)	991 555 994 25	door panel Leather	right	1	PR:9VL,-538,-625
	991 555 994 25 A11	Black	-AZ		
	991 555 994 25 OA1	agate grey	-FZ		
	991 555 994 25 OH7	Graphite Blue	-HZ		
	991 555 994 25 OK6	saddle brown	-SZ		
	991 555 994 25 7J0	Luxor beige	-UZ		
	991 555 994 25 OG6	Bordeaux red	-LZ		
	991 555 994 25 6J0	Espresso	-NE		
	991 555 994 25 JHB	Black/Dark Silver	-TD		
(1)	991 555 994 25	door panel Leather two-colour	right	1	PR:9VL,-538,-625
	991 555 994 25 DTO	Black/Luxor Beige	-BT		
	991 555 994 25 GUG	Black/Bordeaux Red	-BM		
	991 555 994 25 GTG	Graphite Blue/Chalk	-BG,TG		
	991 555 994 25 GRG	Espresso/Cognac	-BY		
(1)	991 555 993 26	Door panel trim (leather)	left	1	PR:9VJ,-537,-625
	991 555 993 26 A11	Black	-AZ		
	991 555 993 26 OA1	agate grey	-FZ		
	991 555 993 26 OH7	Graphite Blue	-HZ		
	991 555 993 26 OK6	saddle brown	-SZ		
	991 555 993 26 7J0	Luxor beige	-UZ		
	991 555 993 26 OG6	Bordeaux red	-LZ		
	991 555 993 26 6J0	Espresso	-NE		
	991 555 993 26 JHB	Black/Dark Silver	-TD		
(1)	991 555 993 26	Door panel trim (leather)	left	1	PR:9VJ,-537,-625
	991 555 993 26 DTO	Black/Luxor Beige	-BT		
	991 555 993 26 GUG	Black/Bordeaux Red	-BM		
	991 555 993 26 GTG	Graphite Blue/Chalk	-BG,TG		
	991 555 993 26 GRG	Espresso/Cognac	-BY		
(1)	991 555 994 26	Door panel trim (leather)	right	1	PR:9VJ,-538,-625
	991 555 994 26 A11	Black	-AZ		
	991 555 994 26 OA1	agate grey	-FZ		
	991 555 994 26 OH7	Graphite Blue	-HZ		
	991 555 994 26 OK6	saddle brown	-SZ		

Model: 991T13 Model life 2014>>

Pos	Part Number	Description	Remark	Qty	Model
(1)	991 555 994 26 7J0	Luxor beige	-UZ	1	PR:9VJ,-538,-625
	991 555 994 26 OG6	Bordeaux red	-LZ		
	991 555 994 26 6J0	Espresso	-NE		
	991 555 994 26 JHB	Black/Dark Silver	-TD		
	991 555 994 26	Door panel trim (leather)	right		
(1)		two-colour		1	PR:9VL,537,-625,098
	991 555 994 26 DTO	Black/Luxor Beige	-BT		
	991 555 994 26 GUG	Black/Bordeaux Red	-BM		
	991 555 994 26 GTG	Graphite Blue/Chalk	-BG,TG		
	991 555 994 26 GRG	Espresso/Cognac	-BY		
	991 555 993 28	Door panel trim (leather)	left lhd		
	991 555 993 28 A11	Black	-AZ		
	991 555 993 28 OA1	agate grey	-FZ		
	991 555 993 28 OH7	Graphite Blue	-HZ		
	991 555 993 28 OK6	saddle brown	-SZ		
(1)	991 555 993 28 7J0	Luxor beige	-UZ	1	PR:9VL,537,-625,098
	991 555 993 28 OG6	Bordeaux red	-LZ		
	991 555 993 28 6J0	Espresso	-NE		
	991 555 993 28 JHB	Black/Dark Silver	-TD		
	991 555 993 28	Door panel trim (leather)	left lhd		
		two-colour			
	991 555 993 28 DTO	Black/Luxor Beige	-BT		
	991 555 993 28 GUG	Black/Bordeaux Red	-BM		
	991 555 993 28 GTG	Graphite Blue/Chalk	-BG,TG		
	991 555 993 28 GRG	Espresso/Cognac	-BY		
(1)	991 555 994 28	Door panel trim (leather)	right rhd	1	PR:9VL,538,-625,099
	991 555 994 28 A11	Black	-AZ		
	991 555 994 28 OA1	agate grey	-FZ		
	991 555 994 28 OH7	Graphite Blue	-HZ		
	991 555 994 28 OK6	saddle brown	-SZ		
	991 555 994 28 7J0	Luxor beige	-UZ		
	991 555 994 28 OG6	Bordeaux red	-LZ		
	991 555 994 28 6J0	Espresso	-NE		
	991 555 994 28 JHB	Black/Dark Silver	-TD		
	991 555 994 28	Door panel trim (leather)	right rhd		
(1)		two-colour		1	PR:9VJ,537,-625,098
	991 555 994 28 DTO	Black/Luxor Beige	-BT		
	991 555 994 28 GUG	Black/Bordeaux Red	-BM		
	991 555 994 28 GTG	Graphite Blue/Chalk	-BG,TG		
	991 555 994 28 GRG	Espresso/Cognac	-BY		
	991 555 993 29	Door panel trim (leather)	left lhd		
	991 555 993 29 A11	Black	-AZ		
	991 555 993 29 OA1	agate grey	-FZ		
	991 555 993 29 OH7	Graphite Blue	-HZ		
	991 555 993 29 OK6	saddle brown	-SZ		
(1)	991 555 993 29 7J0	Luxor beige	-UZ	1	PR:9VJ,537,-625,098
	991 555 993 29 OG6	Bordeaux red	-LZ		
	991 555 993 29 6J0	Espresso	-NE		
	991 555 993 29 JHB	Black/Dark Silver	-TD		
	991 555 993 29	Door panel trim (leather)	left lhd		
		two-colour			
	991 555 993 29 DTO	Black/Luxor Beige	-BT		
	991 555 993 29 GUG	Black/Bordeaux Red	-BM		
	991 555 993 29 GTG	Graphite Blue/Chalk	-BG,TG		
	991 555 993 29 GRG	Espresso/Cognac	-BY		
(1)	991 555 994 29	Door panel trim (leather)	right rhd	1	PR:9VJ,538,

Model: 991T13 Model life 2014>>

Pos	Part Number	Description	Remark	Qty	Model
	991 555 994 29 A11	Black	-AZ		-625,099
	991 555 994 29 OA1	agate grey	-FZ		
	991 555 994 29 OH7	Graphite Blue	-HZ		
	991 555 994 29 OK6	saddle brown	-SZ		
	991 555 994 29 7J0	Luxor beige	-UZ		
	991 555 994 29 OG6	Bordeaux red	-LZ		
	991 555 994 29 6J0	Espresso	-NE		
	991 555 994 29 JHB	Black/Dark Silver	-TD		
(1)	991 555 994 29	Door panel trim (leather)	right rhd	1	PR:9VJ,538, -625,099
		two-colour			
	991 555 994 29 DTO	Black/Luxor Beige	-BT		
	991 555 994 29 GUG	Black/Bordeaux Red	-BM		
	991 555 994 29 GTG	Graphite Blue/Chalk	-BG,TG		
	991 555 994 29 GRG	Espresso/Cognac	-BY		
(1)	991 555 993 55	Door panel trim (leather)	left	1	PR:9VL,625, -537
	991 555 993 55 A11	Black	-AZ		
	991 555 993 55 OA1	agate grey	-FZ		
	991 555 993 55 OH7	Graphite Blue	-HZ		
	991 555 993 55 OK6	saddle brown	-SZ		
	991 555 993 55 7J0	Luxor beige	-UZ		
	991 555 993 55 OG6	Bordeaux red	-LZ		
	991 555 993 55 6J0	Espresso	-NE		
	991 555 993 55 JHB	Black/Dark Silver	-TD		
(1)	991 555 993 55	Door panel trim (leather)	left	1	PR:9VL,625, -537
		two-colour			
	991 555 993 55 DTO	Black/Luxor Beige	-BT		
	991 555 993 55 GUG	Black/Bordeaux Red	-BM		
	991 555 993 55 GTG	Graphite Blue/Chalk	-BG,TG		
	991 555 993 55 GRG	Espresso/Cognac	-BY		
(1)	991 555 994 55	Door panel trim (leather)	right	1	PR:9VL,625, -538
	991 555 994 55 A11	Black	-AZ		
	991 555 994 55 OA1	agate grey	-FZ		
	991 555 994 55 OH7	Graphite Blue	-HZ		
	991 555 994 55 OK6	saddle brown	-SZ		
	991 555 994 55 7J0	Luxor beige	-UZ		
	991 555 994 55 OG6	Bordeaux red	-LZ		
	991 555 994 55 6J0	Espresso	-NE		
	991 555 994 55 JHB	Black/Dark Silver	-TD		
(1)	991 555 994 55	Door panel trim (leather)	right	1	PR:9VL,625, -538
		two-colour			
	991 555 994 55 DTO	Black/Luxor Beige	-BT		
	991 555 994 55 GUG	Black/Bordeaux Red	-BM		
	991 555 994 55 GTG	Graphite Blue/Chalk	-BG,TG		
	991 555 994 55 GRG	Espresso/Cognac	-BY		
(1)	991 555 993 56	Door panel trim (leather)	left	1	PR:9VJ,625, -537
	991 555 993 56 A11	Black	-AZ		
	991 555 993 56 OA1	agate grey	-FZ		
	991 555 993 56 OH7	Graphite Blue	-HZ		
	991 555 993 56 OK6	saddle brown	-SZ		
	991 555 993 56 7J0	Luxor beige	-UZ		
	991 555 993 56 OG6	Bordeaux red	-LZ		
	991 555 993 56 6J0	Espresso	-NE		
	991 555 993 56 JHB	Black/Dark Silver	-TD		
(1)	991 555 993 56	Door panel trim (leather)	left	1	PR:9VJ,625, -537
		two-colour			



Model: 991T13 Model life 2014>>

Pos	Part Number	Description	Remark	Qty	Model			
(1)	991 555 993 56 DTO	Black/Luxor Beige	-BT	1	PR:9VJ,625, -538			
	991 555 993 56 GUG	Black/Bordeaux Red	-BM					
	991 555 993 56 GTG	Graphite Blue/Chalk	-BG,TG					
	991 555 993 56 GRG	Espresso/Cognac	-BY					
	991 555 994 56	Door panel trim (leather)	right					
	991 555 994 56 A11	Black	-AZ					
	991 555 994 56 OA1	agate grey	-FZ					
	991 555 994 56 OH7	Graphite Blue	-HZ					
	991 555 994 56 OK6	saddle brown	-SZ					
	991 555 994 56 7J0	Luxor beige	-UZ					
(1)	991 555 994 56 OG6	Bordeaux red	-LZ	1	PR:9VJ,625, -538			
	991 555 994 56 6J0	Espresso	-NE					
	991 555 994 56 JHB	Black/Dark Silver	-TD					
	991 555 994 56	Door panel trim (leather)	right					
		two-colour						
	991 555 994 56 DTO	Black/Luxor Beige	-BT					
	991 555 994 56 GUG	Black/Bordeaux Red	-BM					
	991 555 994 56 GTG	Graphite Blue/Chalk	-BG,TG					
	991 555 994 56 GRG	Espresso/Cognac	-BY					
	(1)	991 555 993 58	Door panel trim (leather)			left lhd	1	PR:9VL,537, 625,098
(1)	991 555 993 58 A11	Black	-AZ	1	PR:9VL,537, 625,098			
	991 555 993 58 OA1	agate grey	-FZ					
	991 555 993 58 OH7	Graphite Blue	-HZ					
	991 555 993 58 OK6	saddle brown	-SZ					
	991 555 993 58 7J0	Luxor beige	-UZ					
	991 555 993 58 OG6	Bordeaux red	-LZ					
	991 555 993 58 6J0	Espresso	-NE					
	991 555 993 58 JHB	Black/Dark Silver	-TD					
	(1)	991 555 993 58	Door panel trim (leather)			left lhd	1	PR:9VL,537, 625,098
		two-colour						
(1)	991 555 993 58 DTO	Black/Luxor Beige	-BT	1	PR:9VL,538, 625,099			
	991 555 993 58 GUG	Black/Bordeaux Red	-BM					
	991 555 993 58 GTG	Graphite Blue/Chalk	-BG,TG					
	991 555 993 58 GRG	Espresso/Cognac	-BY					
	(1)	991 555 994 58	Door panel trim (leather)			right rhd	1	PR:9VL,538, 625,099
	991 555 994 58 A11	Black	-AZ					
	991 555 994 58 OA1	agate grey	-FZ					
	991 555 994 58 OH7	Graphite Blue	-HZ					
	991 555 994 58 OK6	saddle brown	-SZ					
	991 555 994 58 7J0	Luxor beige	-UZ					
(1)	991 555 994 58 OG6	Bordeaux red	-LZ	1	PR:9VL,538, 625,099			
	991 555 994 58 6J0	Espresso	-NE					
	991 555 994 58 JHB	Black/Dark Silver	-TD					
	(1)	991 555 994 58	Door panel trim (leather)			right rhd	1	PR:9VL,538, 625,099
		two-colour						
	991 555 994 58 DTO	Black/Luxor Beige	-BT					
	991 555 994 58 GUG	Black/Bordeaux Red	-BM					
	991 555 994 58 GTG	Graphite Blue/Chalk	-BG,TG					
	991 555 994 58 GRG	Espresso/Cognac	-BY					
	(1)	991 555 993 59	Door panel trim (leather)			left lhd	1	PR:9VJ,537, 625,098
(1)	991 555 993 59 A11	Black	-AZ	1	PR:9VJ,537, 625,098			
	991 555 993 59 OA1	agate grey	-FZ					
	991 555 993 59 OH7	Graphite Blue	-HZ					
	991 555 993 59 OK6	saddle brown	-SZ					
	991 555 993 59 7J0	Luxor beige	-UZ					
	991 555 993 59 OG6	Bordeaux red	-LZ					

Model: 991T13

Model life 2014>>

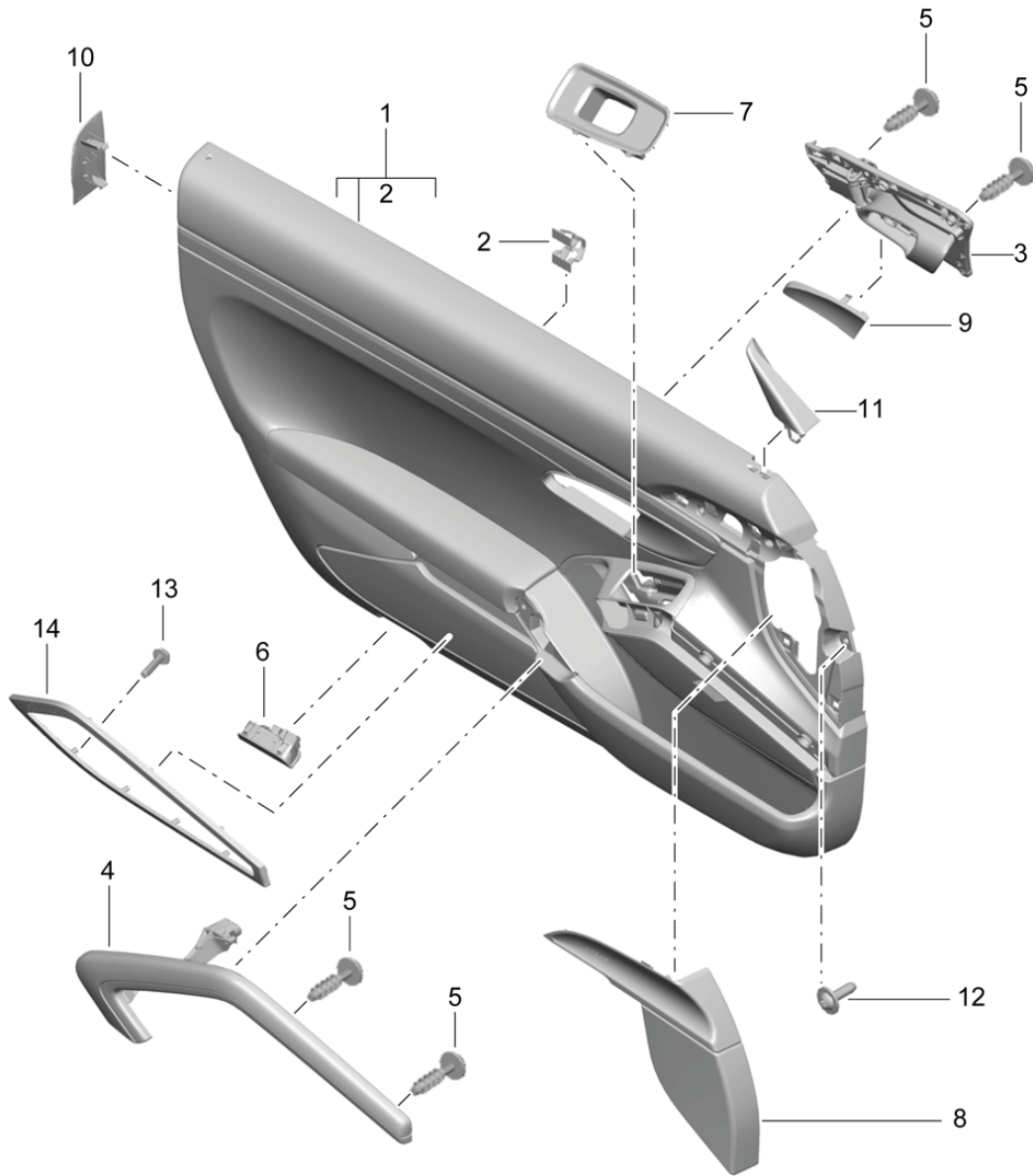
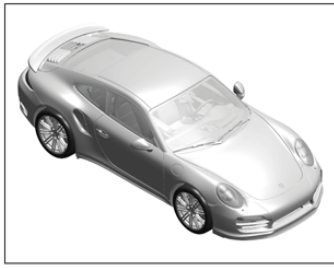
Pos	Part Number	Description	Remark	Qty	Model
(1)	991 555 993 59 6J0	Espresso	-NE	1	PR:9VJ,537, 625,098
	991 555 993 59 JHB	Black/Dark Silver	-TD		
	991 555 993 59	Door panel trim (leather)	left lhd		
(1)		two-colour		1	PR:9VJ,538, 625,099
	991 555 993 59 DTO	Black/Luxor Beige	-BT		
	991 555 993 59 GUG	Black/Bordeaux Red	-BM		
	991 555 993 59 GTG	Graphite Blue/Chalk	-BG,TG		
	991 555 993 59 GRG	Espresso/Cognac	-BY		
	991 555 994 59	Door panel trim (leather)	right rhd		
	991 555 994 59 A11	Black	-AZ		
	991 555 994 59 OA1	agate grey	-FZ		
	991 555 994 59 OH7	Graphite Blue	-HZ		
	991 555 994 59 OK6	saddle brown	-SZ		
(1)	991 555 994 59 7J0	Luxor beige	-UZ	1	PR:9VJ,538, 625,099
	991 555 994 59 OG6	Bordeaux red	-LZ		
	991 555 994 59 6J0	Espresso	-NE		
	991 555 994 59 JHB	Black/Dark Silver	-TD		
	991 555 994 59	Door panel trim (leather)	right rhd		
		two-colour			
	991 555 994 59 DTO	Black/Luxor Beige	-BT		
	991 555 994 59 GUG	Black/Bordeaux Red	-BM		
	991 555 994 59 GTG	Graphite Blue/Chalk	-BG,TG		
	991 555 994 59 GRG	Espresso/Cognac	-BY		
2	999 507 533 02	Clamp 8,0 X 10,0 /2,5		4	
3	991 555 521 02	Inner actuator	left	1	
	991 555 521 02 V08	Galvano silver			
(3)	991 555 522 02	Inner actuator	right	1	
	991 555 522 02 V08	Galvano silver			
4	991 555 533 00	Pull handle Leather	left	1	
	991 555 533 00 A11	Black	-AZ	1	
	991 555 533 00 OA1	agate grey	-FZ		
	991 555 533 00 OH7	Graphite Blue	-HZ		
	991 555 533 00 OK6	saddle brown	-SZ		
	991 555 533 00 7J0	Luxor beige	-UZ,BT		
	991 555 533 00 OG6	Bordeaux red	-LZ,BM		
	991 555 533 00 OL8	Chalk	-BG,TG		
	991 555 533 00 6J0	Espresso	-NE		
	991 555 533 00 7F0	Cognac	-BY		
	991 555 533 00 JHB	Black/Dark Silver	-TD		
	991 555 534 00	Pull handle (leather)	right		
	991 555 534 00 A11	Black	-AZ		
	991 555 534 00 OA1	agate grey	-FZ		
	991 555 534 00 OH7	Graphite Blue	-HZ		
	991 555 534 00 OK6	saddle brown	-SZ		
	991 555 534 00 7J0	Luxor beige	-UZ,BT		
991 555 534 00 OG6	Bordeaux red	-LZ,BM			
991 555 534 00 OL8	Chalk	-BG,TG			
991 555 534 00 6J0	Espresso	-NE			
991 555 534 00 7F0	Cognac	-BY			
991 555 534 00 JHB	Black/Dark Silver	-TD			
5	999 919 262 01	fillister hd. bolt 4,0 X 16,0		9	
6	970 632 135 00	Door warning light		2	
7	991 555 723 01	Mounting frame		1	
		Switch			
8	991 555 723 01 1E0	Black		1	
	991 555 721 02	Cover	left front		

Model: 991T13 Model life 2014>>

Pos	Part Number	Description	Remark	Qty	Model
	991 555 721 02 5Q0	Black	-AZ, BT, BM, TD		
	991 555 721 02 OA6	agate grey	-FZ		
	991 555 721 02 OH7	Graphite Blue	-HZ, BG, TG		
	991 555 721 02 OL7	saddle brown	-SZ		
	991 555 721 02 6W0	Luxor beige	-UZ		
	991 555 721 02 OG6	Bordeaux red	-LZ		
	991 555 721 02 3T0	Espresso	-NE, BY		
(8)	991 555 722 02	Cover	right	1	
			front		
	991 555 722 02 5Q0	Black	-AZ, BT, BM, TD		
	991 555 722 02 OA6	agate grey	-FZ		
	991 555 722 02 OH7	Graphite Blue	-HZ, BG, TG		
	991 555 722 02 OL7	saddle brown	-SZ		
	991 555 722 02 6W0	Luxor beige	-UZ		
	991 555 722 02 OG6	Bordeaux red	-LZ		
	991 555 722 02 3T0	Espresso	-NE, BY		
(9)	7PP 837 247	Cover panel	left	1	
		Inner actuator			
(9)	7PP 837 247 1E0	Black			
(9)	7PP 837 248	Cover panel	right	1	
		Inner actuator			
	7PP 837 248 1E0	Black			
10	991 555 683 01	cover for airbag	left	1	
	991 555 683 01 5Q0	Black	-AZ, BT, BM, TD		
	991 555 683 01 OA6	agate grey	-FZ		
	991 555 683 01 OH7	Graphite Blue	-HZ, BG, TG		
	991 555 683 01 OL7	saddle brown	-SZ		
	991 555 683 01 6W0	Luxor beige	-UZ		
	991 555 683 01 OG6	Bordeaux red	-LZ		
	991 555 683 01 3T0	Espresso	-NE, BY		
(10)	991 555 684 01	cover for airbag	right	1	
	991 555 684 01 5Q0	Black	-AZ, BT, BM, TD		
	991 555 684 01 OA6	agate grey	-FZ		
	991 555 684 01 OH7	Graphite Blue	-HZ, BG, TG		
	991 555 684 01 OL7	saddle brown	-SZ		
	991 555 684 01 6W0	Luxor beige	-UZ		
	991 555 684 01 OG6	Bordeaux red	-LZ		
	991 555 684 01 3T0	Espresso	-NE, BY		
11	991 555 741 00	Cover panel	left	1	
		window frame			
	991 555 741 00 1E0	Black			
(11)	991 555 742 00	Cover panel	right	1	
		window frame			
	991 555 742 00 1E0	Black			
12	999 073 322 02	fillister hd. bolt		8	
		M 6 X 20			
13	999 919 167 09	fillister hd. bolt		10	PR:9VJ
		M 3 X 10			
14	991 555 581 00	decorative frame	left	1	PR:9VJ
		Loudspeaker trim			
	991 555 581 00 V08	Galvano silver			
(14)	991 555 582 00	decorative frame	right	1	PR:9VJ
		Loudspeaker trim			
	991 555 582 00 V08	Galvano silver			

Model: 991T13

Model life 2014>>



Model: 991T13 Model life 2014>>

Pos	Part Number	Description	Remark	Qty	Model
		door panel Accessories Trim Lacquered D >> - MJ 2016			PR:XWE
1	991 555 913 01	Door panel trim (leather)	left lhd	1	PR:XWE,098, 680,981, -537,-625
	991 555 913 01 A11	Black	-AZ		
	991 555 913 01 9B0	Platinum Grey	-CZ		
	991 555 913 01 7J0	Luxor beige	-UZ		
	991 555 913 01 6A0	yachting blue	-EZ		
	991 555 913 01 OA1	agate grey	-DK		
	991 555 913 01 6J0	Espresso	-NE		
	991 555 913 01 N12	Carrera Red two-colour	-NG		
	991 555 913 01 GEG	Black/Platinum Grey	-BR		
	991 555 913 01 GMG	Agate Grey/Pebble Grey	-BV		
	991 555 913 01 GRG	Espresso/Cognac	-BH		
	991 555 913 01 DTO	Black/Luxor Beige	-BL		
(1)	991 555 913 01 DQW	Black/Carrera Red	-BA,BQ		
	991 555 913 01	Door panel trim (leather)	left rhd	1	PR:XWE,099, 680,981,-625
	991 555 913 01 A11	Black	-AZ		
	991 555 913 01 9B0	Platinum Grey	-CZ		
	991 555 913 01 7J0	Luxor beige	-UZ		
	991 555 913 01 6A0	yachting blue	-EZ		
	991 555 913 01 OA1	agate grey	-DK		
	991 555 913 01 6J0	Espresso	-NE		
	991 555 913 01 N12	Carrera Red two-colour	-NG		
	991 555 913 01 GEG	Black/Platinum Grey			br
	991 555 913 01 GMG	Agate Grey/Pebble Grey	-BV		
	991 555 913 01 GRG	Espresso/Cognac	-BH		
	991 555 913 01 DTO	Black/Luxor Beige	-BL		
(1)	991 555 913 01 DQW	Black/Carrera Red	-BA,BQ		
	991 555 914 01	Door panel trim (leather)	right	1	PR:XWE,680, 981,-538, -625
	991 555 914 01 A11	Black	-AZ		
	991 555 914 01 9B0	Platinum Grey	-CZ		
	991 555 914 01 7J0	Luxor beige	-UZ		
	991 555 914 01 6A0	yachting blue	-EZ		
	991 555 914 01 OA1	agate grey	-DK		
	991 555 914 01 6J0	Espresso	-NE		
	991 555 914 01 N12	Carrera Red two-colour	-NG		
	991 555 914 01 GEG	Black/Platinum Grey	-BR		
	991 555 914 01 GMG	Agate Grey/Pebble Grey	-BV		
	991 555 914 01 GRG	Espresso/Cognac	-BH		
	991 555 914 01 DTO	Black/Luxor Beige	-BL		
	991 555 914 01 DQW	Black/Carrera Red	-BA		
(1)	991 555 913 02	Door panel trim (leather)	left lhd	1	PR:XWE,098, 682,981, -537,-625
	991 555 913 02 A11	Black	-AZ		
	991 555 913 02 9B0	Platinum Grey	-CZ		
	991 555 913 02 7J0	Luxor beige	-UZ		
	991 555 913 02 6A0	yachting blue	-EZ		
	991 555 913 02 OA1	agate grey	-DK		
	991 555 913 02 6J0	Espresso	-NE		
	991 555 913 02 N12	Carrera Red two-colour	-NG		

Model: 991T13

Model life 2014>>

Pos	Part Number	Description	Remark	Qty	Model
(1)	991 555 913 02 GEG	Black/Platinum Grey	-BR	1	PR:XWE,099, 682,981,-625
	991 555 913 02 GMG	Agate Grey/Pebble Grey	-BV		
	991 555 913 02 GRG	Espresso/Cognac	-BH		
	991 555 913 02 DTO	Black/Luxor Beige	-BL		
	991 555 913 02 DQW	Black/Carrera Red	-BA,BQ		
	991 555 913 02	Door panel trim (leather)	left rhd		
	991 555 913 02 A11	Black	-AZ		
	991 555 913 02 9B0	Platinum Grey	-CZ		
	991 555 913 02 7J0	Luxor beige	-UZ		
	991 555 913 02 6A0	yachting blue	-EZ		
	991 555 913 02 OA1	agate grey	-DK		
	991 555 913 02 6J0	Espresso	-NE		
	991 555 913 02 N12	Carrera Red	-NG		
	991 555 913 02 GEG	Black/Platinum Grey	-BR		
(1)	991 555 913 02 GMG	Agate Grey/Pebble Grey	-BV	1	PR:XWE,682, 981,-538, -625
	991 555 913 02 GRG	Espresso/Cognac	-BH		
	991 555 913 02 DTO	Black/Luxor Beige	-BL		
	991 555 913 02 DQW	Black/Carrera Red	-BA,BQ		
	991 555 914 02	Door panel trim (leather)	right		
	991 555 914 02 A11	Black	-AZ		
	991 555 914 02 9B0	Platinum Grey	-CZ		
	991 555 914 02 7J0	Luxor beige	-UZ		
	991 555 914 02 6A0	yachting blue	-EZ		
	991 555 914 02 OA1	agate grey	-DK		
	991 555 914 02 6J0	Espresso	-NE		
	991 555 914 02 N12	Carrera Red	-NG		
	991 555 914 02 GEG	Black/Platinum Grey	-BR		
	991 555 914 02 GMG	Agate Grey/Pebble Grey	-BV		
(1)	991 555 914 02 GRG	Espresso/Cognac	-BH	1	PR:XWE,098, 537,680,981, -625
	991 555 914 02 DTO	Black/Luxor Beige	-BL		
	991 555 914 02 DQW	Black/Carrera Red	-BA,BQ		
	991 555 913 04	Door panel trim (leather)	left lhd		
	991 555 913 04 A11	Black	-AZ		
	991 555 913 04 9B0	Platinum Grey	-CZ		
	991 555 913 04 7J0	Luxor beige	-UZ		
	991 555 913 04 6A0	yachting blue	-EZ		
	991 555 913 04 OA1	agate grey	-DK		
	991 555 913 04 6J0	Espresso	-NE		
	991 555 913 04 N12	Carrera Red	-NG		
	991 555 913 04 GEG	Black/Platinum Grey	-BR		
	991 555 913 04 GMG	Agate Grey/Pebble Grey	-BV		
	(1)	991 555 913 04 GRG	Espresso/Cognac		
991 555 913 04 DTO		Black/Luxor Beige	-BL		
991 555 913 04 DQW		Black/Carrera Red	-BA,BQ		
991 555 914 04		Door panel trim (leather)	right		
991 555 914 04 A11		Black	-AZ		
991 555 914 04 9B0		Platinum Grey	-CZ		
991 555 914 04 7J0		Luxor beige	-UZ		
991 555 914 04 6A0		yachting blue	-EZ		
991 555 914 04 OA1		agate grey	-DK		
991 555 914 04 6J0		Espresso	-NE		
991 555 914 04 N12		Carrera Red	-NG		
991 555 914 04 GEG		Black/Platinum Grey	-BR		

Model: 991T13

Model life 2014>>

Pos	Part Number	Description	Remark	Qty	Model
(1)	991 555 914 04 GMG	Agate Grey/Pebble Grey	-BV	1	PR:XWE,098, 537,682,981, -625
	991 555 914 04 GRG	Espresso/Cognac	-BH		
	991 555 914 04 DTO	Black/Luxor Beige	-BL		
	991 555 914 04 DQW	Black/Carrera Red	-BA,BQ		
	991 555 913 05	Door panel trim (leather)	left lhd		
	991 555 913 05 A11	Black	-AZ		
	991 555 913 05 9B0	Platinum Grey	-CZ		
	991 555 913 05 7J0	Luxor beige	-UZ		
	991 555 913 05 6A0	yachting blue	-EZ		
	991 555 913 05 OA1	agate grey	-DK		
	991 555 913 05 6J0	Espresso	-NE		
	991 555 913 05 N12	Carrera Red two-colour			
	991 555 913 05 GEG	Black/Platinum Grey	-BR		
	991 555 913 05 GMG	Agate Grey/Pebble Grey	-BV		
	(1)	991 555 913 05 GRG	Espresso/Cognac		
991 555 913 05 DTO		Black/Luxor Beige	-BL		
991 555 913 05 DQW		Black/Carrera Red	-BA,BQ		
991 555 914 05		Door panel trim (leather)	right		
991 555 914 05 A11		Black	-AZ		
991 555 914 05 9B0		Platinum Grey	-CZ		
991 555 914 05 7J0		Luxor beige	-UZ		
991 555 914 05 6A0		yachting blue	-EZ		
991 555 914 05 OA1		agate grey	-DK		
991 555 914 05 6J0		Espresso	-NE		
991 555 914 05 N12		Carrera Red two-colour	-NG		
991 555 914 05 GEG		Black/Platinum Grey	-BR		
991 555 914 05 GMG		Agate Grey/Pebble Grey	-BV		
991 555 914 05 GRG		Espresso/Cognac	-BH		
(1)		991 555 914 05 DTO	Black/Luxor Beige	-BL	1
	991 555 914 05 DQW	Black/Carrera Red	-BA,BQ		
	991 555 913 31	Door panel trim (leather)	left lhd		
	991 555 913 31 A11	Black	-AZ		
	991 555 913 31 9B0	Platinum Grey	-CZ		
	991 555 913 31 7J0	Luxor beige	-UZ		
	991 555 913 31 6A0	yachting blue	-EZ		
	991 555 913 31 OA1	agate grey	-DK		
	991 555 913 31 6J0	Espresso	-NE		
	991 555 913 31 N12	Carrera Red two-colour	-NG		
	991 555 913 31 GEG	Black/Platinum Grey	-BR		
	991 555 913 31 GMG	Agate Grey/Pebble Grey	-BV		
	991 555 913 31 GRG	Espresso/Cognac	-BH		
	991 555 913 31 DTO	Black/Luxor Beige	-BL		
	(1)	991 555 913 31 DQW	Black/Carrera Red	-BA,BQ	
991 555 913 31		Door panel trim (leather)	left rhd		
991 555 913 31 A11		Black	-AZ		
991 555 913 31 9B0		Platinum Grey	-CZ		
991 555 913 31 7J0		Luxor beige	-UZ		
991 555 913 31 6A0		yachting blue	-EZ		
991 555 913 31 OA1		agate grey	-DK		
991 555 913 31 6J0		Espresso	-NE		
991 555 913 31 N12		Carrera Red two-colour	-NG		
991 555 913 31 GEG		Black/Platinum Grey	-BR		
991 555 913 31 GMG		Agate Grey/Pebble Grey	-BV		

Model: 991T13 Model life 2014>>

Pos	Part Number	Description	Remark	Qty	Model
(1)	991 555 913 31 GRG	Espresso/Cognac	-BH	1	PR:XWE,625, 680,981,-538
	991 555 913 31 DTO	Black/Luxor Beige	-BL		
	991 555 913 31 DQW	Black/Carrera Red	-BA,BQ		
	991 555 914 31	Door panel trim (leather)	right		
	991 555 914 31 A11	Black	-AZ		
	991 555 914 31 9B0	Platinum Grey	-CZ		
	991 555 914 31 7J0	Luxor beige	-UZ		
	991 555 914 31 6A0	yachting blue	-EZ		
	991 555 914 31 OA1	agate grey	-DK		
	991 555 914 31 6J0	Espresso	-NE		
	991 555 914 31 N12	Carrera Red	-NG		
	991 555 914 31 GEG	Black/Platinum Grey	-BR		
	991 555 914 31 GMG	Agate Grey/Pebble Grey	-BV		
	(1)	991 555 914 31 GRG	Espresso/Cognac		
991 555 914 31 DTO		Black/Luxor Beige	-BL		
991 555 914 31 DQW		Black/Carrera Red	-BA,BQ		
991 555 913 32		Door panel trim (leather)	left lhd		
991 555 913 32 A11		Black	-AZ		
991 555 913 32 9B0		Platinum Grey	-CZ		
991 555 913 32 7J0		Luxor beige	-UZ		
991 555 913 32 6A0		yachting blue	-EZ		
991 555 913 32 OA1		agate grey	-DK		
991 555 913 32 6J0		Espresso	-NE		
991 555 913 32 N12		Carrera Red	-NG		
991 555 913 32 GEG		Black/Platinum Grey	-BR		
991 555 913 32 GMG		Agate Grey/Pebble Grey	-BV		
(1)		991 555 913 32 GRG	Espresso/Cognac	-BH	1
	991 555 913 32 DTO	Black/Luxor Beige	-BL		
	991 555 913 32 DQW	Black/Carrera Red	-BA,BQ		
	991 555 913 32	Door panel trim (leather)	left rhd		
	991 555 913 32 A11	Black	-AZ		
	991 555 913 32 9B0	Platinum Grey	-CZ		
	991 555 913 32 7J0	Luxor beige	-UZ		
	991 555 913 32 6A0	yachting blue	-EZ		
	991 555 913 32 OA1	agate grey	-DK		
	991 555 913 32 6J0	Espresso	-NE		
	991 555 913 32 N12	Carrera Red	-NG		
	991 555 913 32 GEG	Black/Platinum Grey	-BR		
	991 555 913 32 GMG	Agate Grey/Pebble Grey	-BV		
	(1)	991 555 913 32 GRG	Espresso/Cognac	-BH	
991 555 913 32 DTO		Black/Luxor Beige	-BL		
991 555 913 32 DQW		Black/Carrera Red	-BA,BQ		
991 555 914 32		Door panel trim (leather)	right		
991 555 914 32 A11		Black	-AZ		
991 555 914 32 9B0		Platinum Grey	-CZ		
991 555 914 32 7J0		Luxor beige	-UZ		
991 555 914 32 6A0		yachting blue	-EZ		
991 555 914 32 OA1		agate grey	-DK		
991 555 914 32 6J0		Espresso	-NE		
991 555 914 32 N12		Carrera Red	-NG		
991 555 914 32 GEG		Black/Platinum Grey	-BR		
991 555 914 32 GMG		Agate Grey/Pebble Grey	-BV		
(1)		991 555 914 32 GRG	Espresso/Cognac	-BH	1
	991 555 914 32 DTO	Black/Luxor Beige	-BL		



Model: 991T13

Model life 2014>>

Pos	Part Number	Description	Remark	Qty	Model
(1)	991 555 914 32 DQW	Black/Carrera Red	-BA,BQ		
	991 555 913 34	Door panel trim (leather)	left lhd	1	PR:XWE,098, 537,625,680, 981
	991 555 913 34 A11	Black	-AZ		
	991 555 913 34 9B0	Platinum Grey	-CZ		
	991 555 913 34 7J0	Luxor beige	-UZ		
	991 555 913 34 6A0	yachting blue	-EZ		
	991 555 913 34 OA1	agate grey	-DK		
	991 555 913 34 6J0	Espresso	-NE		
	991 555 913 34 N12	Carrera Red	-NG		
		two-colour			
	991 555 913 34 GEG	Black/Platinum Grey	-BR		
	991 555 913 34 GMG	Agate Grey/Pebble Grey	-BV		
	991 555 913 34 GRG	Espresso/Cognac	-BH		
	991 555 913 34 DTO	Black/Luxor Beige	-BL		
(1)	991 555 913 34 DQW	Black/Carrera Red	-BA,BQ		
	991 555 914 34	Door panel trim (leather)	right	1	PR:XWE,538, 625,680,981
	991 555 914 34 A11	Black	-AZ		
	991 555 914 34 9B0	Platinum Grey	-CZ		
	991 555 914 34 7J0	Luxor beige	-UZ		
	991 555 914 34 6A0	yachting blue	-EZ		
	991 555 914 34 OA1	agate grey	-DK		
	991 555 914 34 6J0	Espresso	-NE		
	991 555 914 34 N12	Carrera Red	-NG		
		two-colour			
	991 555 914 34 GEG	Black/Platinum Grey	-BR		
	991 555 914 34 GMG	Agate Grey/Pebble Grey	-BV		
	991 555 914 34 GRG	Espresso/Cognac	-BH		
	991 555 914 34 DTO	Black/Luxor Beige	-BL		
(1)	991 555 914 34 DQW	Black/Carrera Red	-BA,BQ		
	991 555 913 35	Door panel trim (leather)	left lhd	1	PR:XWE,098, 537,625,682, 981
	991 555 913 35 A11	Black	-AZ		
	991 555 913 35 9B0	Platinum Grey	-CZ		
	991 555 913 35 7J0	Luxor beige	-UZ		
	991 555 913 35 6A0	yachting blue	-EZ		
	991 555 913 35 OA1	agate grey	-DK		
	991 555 913 35 6J0	Espresso	-NE		
	991 555 913 35 N12	Carrera Red	-NG		
		two-colour			
	991 555 913 35 GEG	Black/Platinum Grey	-BR		
	991 555 913 35 GMG	Agate Grey/Pebble Grey	-BV		
	991 555 913 35 GRG	Espresso/Cognac	-BH		
	991 555 913 35 DTO	Black/Luxor Beige	-BL		
(1)	991 555 913 35 DQW	Black/Carrera Red	-BA,BQ		
	991 555 914 35	Door panel trim (leather)	right	1	PR:XWE,538, 625,682,981
	991 555 914 35 A11	Black	-AZ		
	991 555 914 35 9B0	Platinum Grey	-CZ		
	991 555 914 35 7J0	Luxor beige	-UZ		
	991 555 914 35 6A0	yachting blue	-EZ		
	991 555 914 35 OA1	agate grey	-DK		
	991 555 914 35 6J0	Espresso	-NE		
	991 555 914 35 N12	Carrera Red	-NG		
		two-colour			
	991 555 914 35 GEG	Black/Platinum Grey	-BR		
	991 555 914 35 GMG	Agate Grey/Pebble Grey	-BV		
	991 555 914 35 GRG	Espresso/Cognac	-BH		
	991 555 914 35 DTO	Black/Luxor Beige	-BL		
	991 555 914 35 DQW	Black/Carrera Red	-BA,BQ		

Model: 991T13 Model life 2014>>

Pos	Part Number	Description	Remark	Qty	Model
2	999 507 533 02	Clamp 8,0 X 10,0 /2,5		4	
3	991 555 521 02	Inner actuator	left	1	
(3)	991 555 521 02 V08	Galvano silver			
	991 555 522 02	Inner actuator	right	1	
	991 555 522 02 V08	Galvano silver			
	4	991 555 533 00	Pull handle	left	1
(4)		Leather			
		991 555 533 00 A11	Black	-AZ	
		991 555 533 00 9B0	Platinum Grey	-CZ, BR	
		991 555 533 00 7J0	Luxor beige	-UZ, BL	
		991 555 533 00 6A0	yachting blue	-EZ	
		991 555 533 00 OA1	agate grey	-DK	
		991 555 533 00 OD4	flint grey	-BV	
		991 555 533 00 6J0	Espresso	-NE	
		991 555 533 00 N12	Carrera Red	-NG, BA	
		991 555 533 00 7F0	Cognac	-BH	
		991 555 534 00	Pull handle (leather)	right	1
		991 555 534 00 A11	Black	-AZ	
		991 555 534 00 9B0	Platinum Grey	-CZ, BR	
		991 555 534 00 7J0	Luxor beige	-UZ, BL	
		991 555 534 00 6A0	yachting blue	-EZ	
		991 555 534 00 OA1	agate grey	-DK	
		991 555 534 00 OD4	flint grey	-BV	
	991 555 534 00 6J0	Espresso	-NE		
	991 555 534 00 N12	Carrera Red	-NG, BA		
	991 555 534 00 7F0	Cognac	-BH		
5	999 919 262 01	fillister hd. bolt 4,0 X 16,0		9	
6	970 632 135 00	Door warning light		2	
7	991 555 723 01	Mounting frame		1	
8		Switch			
		991 555 723 01 1E0	Black		
(8)		991 555 721 00	Cover	left front	1
		991 555 721 00 1E0	Black	-AZ, BR, BL, BA, BQ	
		991 555 721 00 6L0	Platinum Grey	-CZ	
		991 555 721 00 4H0	Luxor beige	-UZ	
		991 555 721 00 2F0	yachting blue	-EZ	
		991 555 721 00 OP1	agate grey	-DK, BV	
		991 555 721 00 7N0	Espresso	-NE, BH	
		991 555 721 00 OW5	Carrera Red	-NG	
		991 555 722 00	Cover	right front	1
		991 555 722 00 1E0	Black	-AZ, BR, BL, BA, BQ	
		991 555 722 00 6L0	Platinum Grey	-CZ	
	991 555 722 00 4H0	Luxor beige	-UZ		
	991 555 722 00 2F0	yachting blue	-EZ		
	991 555 722 00 OP1	agate grey	-DK, BV		
	991 555 722 00 7N0	Espresso	-NE, BH		
	991 555 722 00 OW5	Carrera Red	-NG		
(9)	7PP 837 247	Cover panel	left	1	
(9)		Inner actuator			
		7PP 837 247 1E0	Black		
	7PP 837 248	Cover panel	right	1	
10		Inner actuator			
		7PP 837 248 1E0	Black		
	991 555 683 00	cover for airbag	left	1	
	991 555 683 00 1E0	Black	-AZ, BR, BL, BA, BQ		
	991 555 683 00 6L0	Platinum Grey	-CZ		

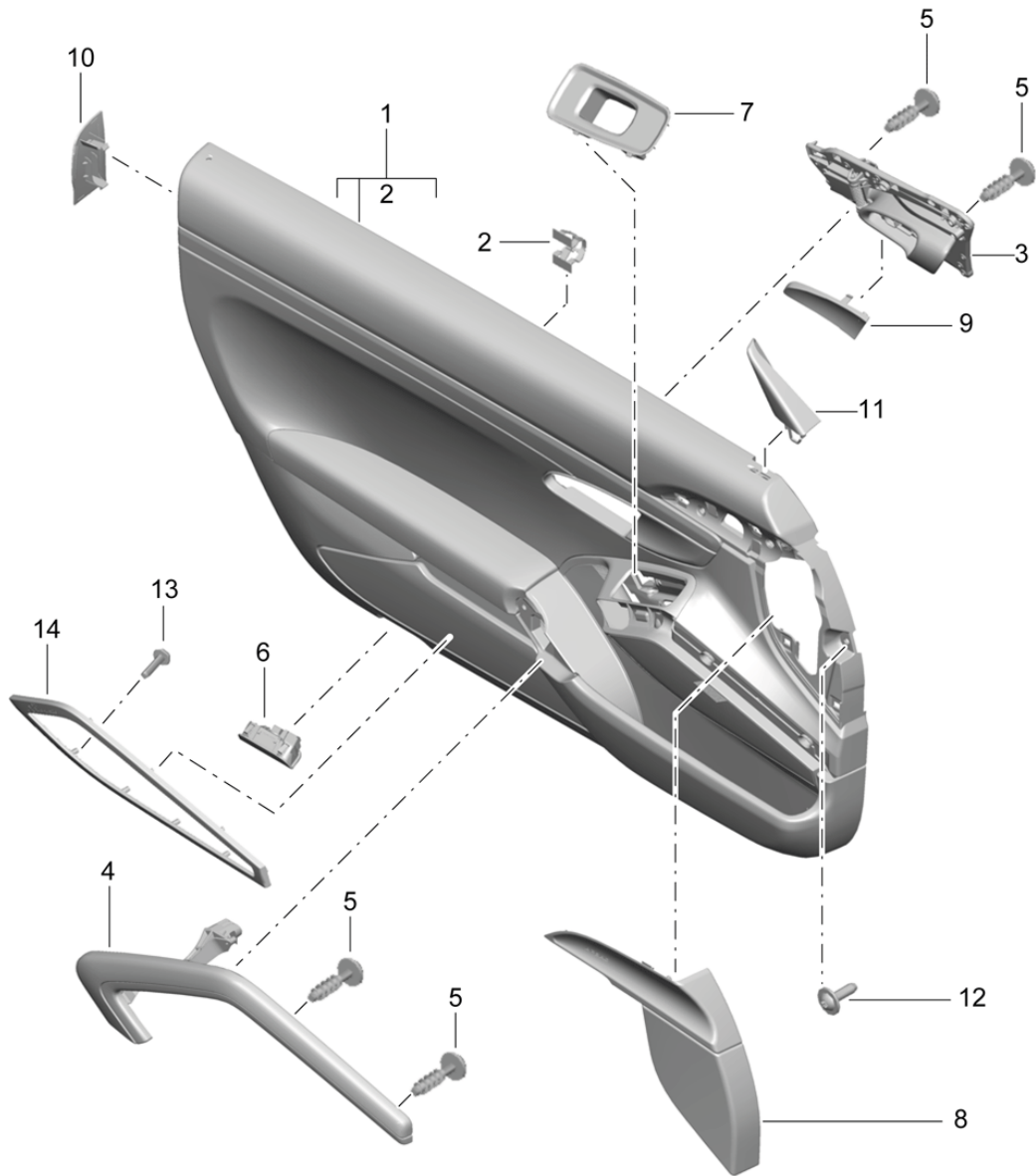
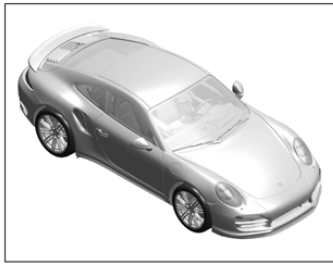
Model: 991T13

Model life 2014>>

Pos	Part Number	Description	Remark	Qty	Model
	991 555 683 00 4H0	Luxor beige	-UZ		
	991 555 683 00 2F0	yachting blue	-EZ		
	991 555 683 00 OP1	agate grey	-DK,BV		
	991 555 683 00 7N0	Espresso	-NE,BH		
	991 555 683 00 OW5	Carrera Red	-NG		
(10)	991 555 684 00	cover for airbag	right	1	
	991 555 684 00 1E0	Black	-AZ,BR,BL,BA, BQ		
	991 555 684 00 6L0	Platinum Grey	-CZ		
	991 555 684 00 4H0	Luxor beige	-UZ		
	991 555 684 00 2F0	yachting blue	-EZ		
	991 555 684 00 OP1	agate grey	-DK,BV		
	991 555 684 00 7N0	Espresso	-NE,BH		
	991 555 684 00 OW5	Carrera Red	-NG		
11	991 555 741 00	Cover panel window frame	left	1	
	991 555 741 00 1E0	Black			
(11)	991 555 742 00	Cover panel window frame	right	1	
	991 555 742 00 1E0	Black			
12	999 073 322 02	fillister hd. bolt M 6 X 20		8	
13	999 919 167 09	fillister hd. bolt M 3 X 10		10	PR:682
14	991 555 581 00	decorative frame Loudspeaker trim	left	1	PR:682
	991 555 581 00 V08	Galvano silver			
(14)	991 555 582 00	decorative frame Loudspeaker trim	right	1	PR:682
	991 555 582 00 V08	Galvano silver			

Model: 991T13

Model life 2014>>



Model: 991T13 Model life 2014>>

Pos	Part Number	Description	Remark	Qty	Model
		door panel Accessories Trim Lacquered D >> - MJ 2016			PR:XWE,788
(1)	991 555 994 01	Door panel trim (leather)	right	1	PR:XWE,680, 981,-538, -625
	991 555 994 01 A11	Black	-AZ		
	991 555 994 01 9B0	Platinum Grey	-CZ		
	991 555 994 01 7J0	Luxor beige	-UZ		
	991 555 994 01 6A0	yachting blue	-EZ		
	991 555 994 01 OA1	agate grey	-DK		
	991 555 994 01 6J0	Espresso	-NE		
	991 555 994 01 N12	Carrera Red	-NG		
		two-colour			
	991 555 994 01 GEG	Black/Platinum Grey	-BR		
	991 555 994 01 GMG	Agate Grey/Pebble Grey	-BV		
	991 555 994 01 GRG	Espresso/Cognac	-BH		
	991 555 994 01 DTO	Black/Luxor Beige	-BL		
	991 555 994 01 DQW	Black/Carrera Red	-BA,BQ		
(1)	991 555 994 02	Door panel trim (leather)	right	1	PR:XWE,682, 981,-538, -625
	991 555 994 02 A11	Black	-AZ		
	991 555 994 02 9B0	Platinum Grey	-CZ		
	991 555 994 02 7J0	Luxor beige	-UZ		
	991 555 994 02 6A0	yachting blue	-EZ		
	991 555 994 02 OA1	agate grey	-DK		
	991 555 994 02 6J0	Espresso	-NE		
	991 555 994 02 N12	Carrera Red	-NG		
		two-colour			
	991 555 994 02 GEG	Black/Platinum Grey	-BR		
	991 555 994 02 GMG	Agate Grey/Pebble Grey	-BV		
	991 555 994 02 GRG	Espresso/Cognac	-BH		
	991 555 994 02 DTO	Black/Luxor Beige	-BL		
	991 555 994 02 DQW	Black/Carrera Red	-BA,BQ		
(1)	991 555 994 04	Door panel trim (leather)	right	1	PR:XWE,538, 680,981,-625
	991 555 994 04 A11	Black	-AZ		
	991 555 994 04 9B0	Platinum Grey	-CZ		
	991 555 994 04 7J0	Luxor beige	-UZ		
	991 555 994 04 6A0	yachting blue	-EZ		
	991 555 994 04 OA1	agate grey	-DK		
	991 555 994 04 6J0	Espresso	-NE		
	991 555 994 04 N12	Carrera Red	-NG		
		two-colour			
	991 555 994 04 GEG	Black/Platinum Grey	-BR		
	991 555 994 04 GMG	Agate Grey/Pebble Grey	-BV		
	991 555 994 04 GRG	Espresso/Cognac	-BH		
	991 555 994 04 DTO	Black/Luxor Beige	-BL		
	991 555 994 04 DQW	Black/Carrera Red	-BA,BQ		
(1)	991 555 994 05	Door panel trim (leather)	right	1	PR:XWE,538, 682,981,-625
	991 555 994 05 A11	Black	-AZ		
	991 555 994 05 9B0	Platinum Grey	-CZ		
	991 555 994 05 7J0	Luxor beige	-UZ		
	991 555 994 05 6A0	yachting blue	-EZ		
	991 555 994 05 OA1	agate grey	-DK		
	991 555 994 05 6J0	Espresso	-NE		
	991 555 994 05 N12	Carrera Red	-NG		
		two-colour			
	991 555 994 05 GEG	Black/Platinum Grey	-BR		

Model: 991T13

Model life 2014>>

Pos	Part Number	Description	Remark	Qty	Model
(1)	991 555 994 05 GMG	Agate Grey/Pebble Grey	-BV	1	PR:XWE,098, 680,625,981, -537
	991 555 994 05 GRG	Espresso/Cognac	-BH		
	991 555 994 05 DTO	Black/Luxor Beige	-BL		
	991 555 994 05 DQW	Black/Carrera Red	-BA,BQ		
	991 555 993 31	Door panel trim (leather)	left lhd		
	991 555 993 31 A11	Black	-AZ		
	991 555 993 31 9B0	Platinum Grey	-CZ		
	991 555 993 31 7J0	Luxor beige	-UZ		
	991 555 993 31 6A0	yachting blue	-EZ		
	991 555 993 31 OA1	agate grey	-DK		
	991 555 993 31 6J0	Espresso	-NE		
	991 555 993 31 N12	Carrera Red	-NG		
	991 555 993 31 GEG	Black/Platinum Grey	-BR		
	991 555 993 31 GMG	Agate Grey/Pebble Grey	-BV		
(1)	991 555 993 31 GRG	Espresso/Cognac	-BH	1	PR:XWE,099, 680,625,981
	991 555 993 31 DTO	Black/Luxor Beige	-BL		
	991 555 993 31 DQW	Black/Carrera Red	-BA,BQ		
	991 555 993 31	Door panel trim (leather)	left rhd		
	991 555 993 31 A11	Black	-AZ		
	991 555 993 31 9B0	Platinum Grey	-CZ		
	991 555 993 31 7J0	Luxor beige	-UZ		
	991 555 993 31 6A0	yachting blue	-EZ		
	991 555 993 31 OA1	agate grey	-DK		
	991 555 993 31 6J0	Espresso	-NE		
	991 555 993 31 N12	Carrera Red	-NG		
	991 555 993 31 GEG	Black/Platinum Grey	-BR		
	991 555 993 31 GMG	Agate Grey/Pebble Grey	-BV		
	991 555 993 31 GRG	Espresso/Cognac	-BH		
(1)	991 555 993 31 DTO	Black/Luxor Beige	-BL	1	PR:XWE,680, 625,981,-538
	991 555 993 31 DQW	Black/Carrera Red	-BA,BQ		
	991 555 994 31	Door panel trim (leather)	right		
	991 555 994 31 A11	Black	-AZ		
	991 555 994 31 9B0	Platinum Grey	-CZ		
	991 555 994 31 7J0	Luxor beige	-UZ		
	991 555 994 31 6A0	yachting blue	-EZ		
	991 555 994 31 OA1	agate grey	-DK		
	991 555 994 31 6J0	Espresso	-NE		
	991 555 994 31 N12	Carrera Red	-NG		
	991 555 994 31 GEG	Black/Platinum Grey	-BR		
	991 555 994 31 GMG	Agate Grey/Pebble Grey	-BV		
	991 555 994 31 GRG	Espresso/Cognac	-BH		
	991 555 994 31 DTO	Black/Luxor Beige	-BL		
(1)	991 555 994 31 DQW	Black/Carrera Red	-BA,BQ	1	PR:XWE,098, 682,625,981, -537
	991 555 993 32	Door panel trim (leather)	left lhd		
	991 555 993 32 A11	Black	-AZ		
	991 555 993 32 9B0	Platinum Grey	-CZ		
	991 555 993 32 7J0	Luxor beige	-UZ		
	991 555 993 32 6A0	yachting blue	-EZ		
	991 555 993 32 OA1	agate grey	-DK		
	991 555 993 32 6J0	Espresso	-NE		
	991 555 993 32 N12	Carrera Red	-NG		
	991 555 993 32 GEG	Black/Platinum Grey	-BR		
	991 555 993 32 GMG	Agate Grey/Pebble Grey	-BV		

Model: 991T13

Model life 2014>>

Pos	Part Number	Description	Remark	Qty	Model
(1)	991 555 993 32 GRG	Espresso/Cognac	-BH	1	PR:XWE,099, 682,625,981
	991 555 993 32 DTO	Black/Luxor Beige	-BL		
	991 555 993 32 DQW	Black/Carrera Red	-BA,BQ		
	991 555 993 32	Door panel trim (leather)	left rhd		
	991 555 993 32 A11	Black	-AZ		
	991 555 993 32 9B0	Platinum Grey	-CZ		
	991 555 993 32 7J0	Luxor beige	-UZ		
	991 555 993 32 6A0	yachting blue	-EZ		
	991 555 993 32 OA1	agate grey	-DK		
	991 555 993 32 6J0	Espresso	-NE		
	991 555 993 32 N12	Carrera Red	-NG		
		two-colour			
(1)	991 555 993 32 GEG	Black/Platinum Grey	-BR	1	PR:XWE,682, 625,981,-538
	991 555 993 32 GMG	Agate Grey/Pebble Grey	-BV		
	991 555 993 32 GRG	Espresso/Cognac	-BH		
	991 555 993 32 DTO	Black/Luxor Beige	-BL		
	991 555 993 32 DQW	Black/Carrera Red	-BA,BQ		
	991 555 994 32	Door panel trim (leather)	right		
	991 555 994 32 A11	Black	-AZ		
	991 555 994 32 9B0	Platinum Grey	-CZ		
	991 555 994 32 7J0	Luxor beige	-UZ		
	991 555 994 32 6A0	yachting blue	-EZ		
	991 555 994 32 OA1	agate grey	-DK		
	991 555 994 32 6J0	Espresso	-NE		
	two-colour				
(1)	991 555 994 32 GEG	Black/Platinum Grey	-BR	1	PR:XWE,098, 537,625,680, 981
	991 555 994 32 GMG	Agate Grey/Pebble Grey	-BV		
	991 555 994 32 GRG	Espresso/Cognac	-BH		
	991 555 994 32 DTO	Black/Luxor Beige	-BL		
	991 555 994 32 DQW	Black/Carrera Red	-BA,BQ		
	991 555 993 34	Door panel trim (leather)	left lhd		
	991 555 993 34 A11	Black	-AZ		
	991 555 993 34 9B0	Platinum Grey	-CZ		
	991 555 993 34 7J0	Luxor beige	-UZ		
	991 555 993 34 6A0	yachting blue	-EZ		
	991 555 993 34 OA1	agate grey	-DK		
	991 555 993 34 6J0	Espresso	-NE		
	two-colour				
(1)	991 555 993 34 GEG	Black/Platinum Grey	-BR	1	PR:XWE,538, 625,680,981
	991 555 993 34 GMG	Agate Grey/Pebble Grey	-BV		
	991 555 993 34 GRG	Espresso/Cognac	-BH		
	991 555 993 34 DTO	Black/Luxor Beige	-BL		
	991 555 993 34 DQW	Black/Carrera Red	-BA,BQ		
	991 555 994 34	Door panel trim (leather)	right		
	991 555 994 34 A11	Black	-AZ		
	991 555 994 34 9B0	Platinum Grey	-CZ		
	991 555 994 34 7J0	Luxor beige	-UZ		
	991 555 994 34 6A0	yachting blue	-EZ		
	991 555 994 34 OA1	agate grey	-DK		
	991 555 994 34 6J0	Espresso	-NE		
	two-colour				
(1)	991 555 994 34 GEG	Black/Platinum Grey	-BR	1	PR:XWE,538, 625,680,981
	991 555 994 34 GMG	Agate Grey/Pebble Grey	-BV		
	991 555 994 34 GRG	Espresso/Cognac	-BH		
	991 555 994 34 DTO	Black/Luxor Beige	-BL		

Model: 991T13 Model life 2014>>

Pos	Part Number	Description	Remark	Qty	Model
(1)	991 555 994 34 DQW 991 555 993 35	Black/Carrera Red Door panel trim (leather)	-BA,BQ left lhd	1	PR:XWE,098, 537,625,682, 981
	991 555 993 35 A11 991 555 993 35 9B0 991 555 993 35 7J0 991 555 993 35 6A0 991 555 993 35 OA1 991 555 993 35 6J0 991 555 993 35 N12	Black Platinum Grey Luxor beige yachting blue agate grey Espresso Carrera Red two-colour	-AZ -CZ -UZ -EZ -DK -NE -NG		
	991 555 993 35 GEG 991 555 993 35 GMG 991 555 993 35 GRG 991 555 993 35 DTO 991 555 993 35 DQW	Black/Platinum Grey Agate Grey/Pebble Grey Espresso/Cognac Black/Luxor Beige Black/Carrera Red	-BR -BV -BH -BL -BA,BQ		
(1)	991 555 994 35	Door panel trim (leather)	right	1	PR:XWE,538, 625,682,981
	991 555 994 35 A11 991 555 994 35 9B0 991 555 994 35 7J0 991 555 994 35 6A0 991 555 994 35 OA1 991 555 994 35 6J0 991 555 994 35 N12	Black Platinum Grey Luxor beige yachting blue agate grey Espresso Carrera Red two-colour	-AZ -CZ -UZ -EZ -DK -NE -NG		
	991 555 994 35 GEG 991 555 994 35 GMG 991 555 994 35 GRG 991 555 994 35 DTO 991 555 994 35 DQW	Black/Platinum Grey Agate Grey/Pebble Grey Espresso/Cognac Black/Luxor Beige Black/Carrera Red	-BR -BV -BH -BL -BA,BQ		
2	999 507 533 02	Clamp 8,0 X 10,0 /2,5		4	
3	991 555 521 02	Inner actuator	left	1	
(3)	991 555 521 02 V08 991 555 522 02 991 555 522 02 V08	Galvano silver Inner actuator Galvano silver	right	1	
4	991 555 533 00	Pull handle Leather	left	1	
	991 555 533 00 A11 991 555 533 00 9B0 991 555 533 00 7J0 991 555 533 00 6A0 991 555 533 00 OA1 991 555 533 00 OD4 991 555 533 00 6J0 991 555 533 00 N12 991 555 533 00 7F0	Black Platinum Grey Luxor beige yachting blue agate grey flint grey Espresso Carrera Red Cognac	-AZ -CZ,BR -UZ,BL -EZ -DK -BV -NE -NG,BA,BQ -BH		
(4)	991 555 534 00	Pull handle (leather)	right	1	
	991 555 534 00 A11 991 555 534 00 9B0 991 555 534 00 7J0 991 555 534 00 6A0 991 555 534 00 OA1 991 555 534 00 OD4 991 555 534 00 6J0 991 555 534 00 N12 991 555 534 00 7F0	Black Platinum Grey Luxor beige yachting blue agate grey flint grey Espresso Carrera Red Cognac	-AZ -CZ,BR -UZ,BL -EZ -DK -BV -NE -NG,BA,BQ -BH		
5	999 919 262 01	fillister hd. bolt 4,0 X 16,0		9	
6	970 632 135 00	Door warning light		2	
7	991 555 723 01	Mounting frame		1	



Model: 991T13 Model life 2014>>

Pos	Part Number	Description	Remark	Qty	Model	
8	991 555 723 01 1E0	Switch				
		Black				
	991 555 721 02	Cover	left	1		
			front			
		D - MJ 2015>>				
	991 555 721 02 5Q0	Black	-AZ, BR, BL, BA, BQ			
	991 555 721 02 4U0	Platinum Grey	-CZ			
	991 555 721 02 6W0	Luxor beige	-UZ			
	991 555 721 02 8Y0	yachting blue	-EZ			
	991 555 721 02 OA6	agate grey	-DK, BV			
(8)	991 555 721 02 3T0	Espresso	-NE, BH			
	991 555 721 02 OE1	Carrera Red	-NG			
	991 555 722 02	Cover	right	1		
			front			
		D - MJ 2015>>				
	991 555 722 02 5Q0	Black	-AZ, BR, BL, BA, BQ			
	991 555 722 02 4U0	Platinum Grey	-CZ			
	991 555 722 02 6W0	Luxor beige	-UZ			
	991 555 722 02 8Y0	yachting blue	-EZ			
	991 555 722 02 OA6	agate grey	-DK, BV			
(9)	991 555 722 02 3T0	Espresso	-NE, BH			
	991 555 722 02 OE1	Carrera Red	-NG			
	7PP 837 247	Cover panel	left	1		
		Inner actuator				
	7PP 837 247 1E0	Black				
	(9)	7PP 837 248	Cover panel	right	1	
		Inner actuator				
	7PP 837 248 1E0	Black				
	10	991 555 683 01	cover for airbag	left	1	
			D - MJ 2015>>			
991 555 683 01 5Q0		Black	-AZ, BR, BL, BA, BQ			
991 555 683 01 4U0		Platinum Grey	-CZ			
991 555 683 01 6W0		Luxor beige	-UZ			
991 555 683 01 8Y0		yachting blue	-EZ			
991 555 683 01 OA6		agate grey	-DK, BV			
991 555 683 01 3T0		Espresso	-NE, BH			
991 555 683 01 OE1		Carrera Red	-NG			
(10)		991 555 684 01	cover for airbag	right	1	
		D - MJ 2015>>				
	991 555 684 01 5Q0	Black	-AZ, BR, BL, BA, BQ			
	991 555 684 01 4U0	Platinum Grey	-CZ			
	991 555 684 01 6W0	Luxor beige	-UZ			
	991 555 684 01 8Y0	yachting blue	-EZ			
	991 555 684 01 OA6	agate grey	-DK, BV			
	991 555 684 01 3T0	Espresso	-NE, BH			
	991 555 684 01 OE1	Carrera Red	-NG			
	11	991 555 741 00	Cover panel	left	1	
		window frame				
991 555 741 00 1E0		Black				
(11)		991 555 742 00	Cover panel	right	1	
		window frame				
991 555 742 00 1E0		Black				
12		999 073 322 02	fillister hd. bolt		8	
			M 6 X 20			
13		999 919 167 09	fillister hd. bolt		10	PR:682
			M 3 X 10			
14	991 555 581 00	decorative frame	left	1	PR:682	
		Loudspeaker trim				
	991 555 581 00 V08	Galvano silver				

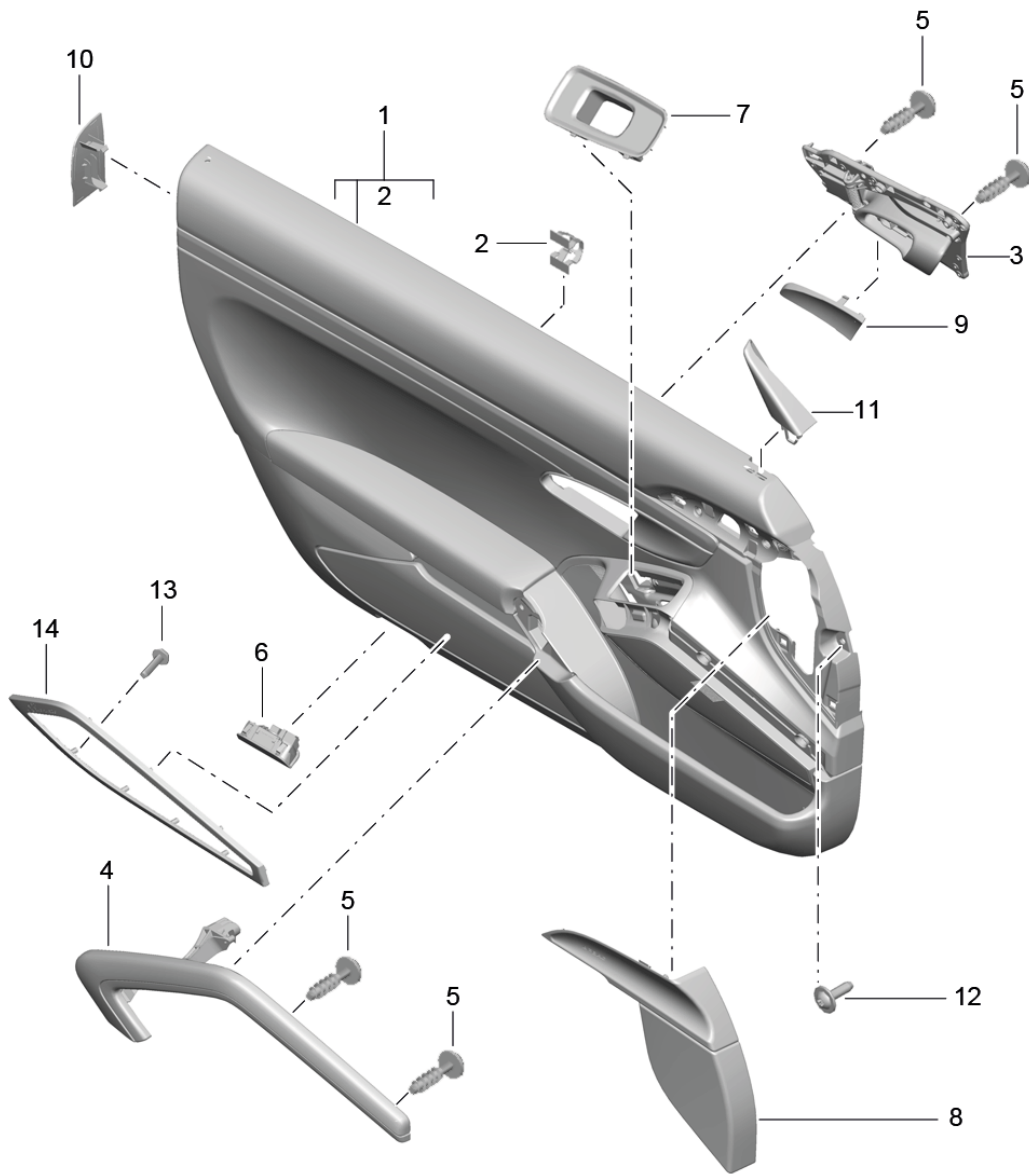
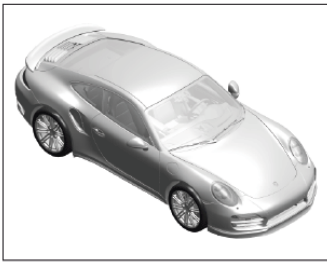
Model: 991T13

Model life 2014>>

Pos	Part Number	Description	Remark	Qty	Model
(14)	991 555 582 00	decorative frame	right	1	PR:682
	991 555 582 00 V08	Loudspeaker trim Galvano silver			

Model: 991T13

Model life 2014>>



Model: 991T13

Model life 2014>>

Pos	Part Number	Description	Remark	Qty	Model
		door panel Accessories Trim Lacquered 2nd GENERATION D - MJ 2017>>			PR:XWE,981
1	991 555 993 01	Door panel trim (leather)	left	1	PR:9VL,-537,-625
	991 555 993 01 A11	Black	-AZ		
	991 555 993 01 OA1	agate grey	-FZ		
	991 555 993 01 OH7	Graphite Blue	-HZ		
	991 555 993 01 OK6	saddle brown	-SZ		
	991 555 993 01 7J0	Luxor beige	-UZ		
	991 555 993 01 OG6	Bordeaux red	-LZ		
	991 555 993 01 6J0	Espresso	-NE		
	991 555 993 01 JHB	Black/Dark Silver	-TD		
(1)	991 555 993 01	Door panel trim (leather)	left	1	PR:9VL,-537,-625
		two-colour			
	991 555 993 01 DTO	Black/Luxor Beige	-BT		
	991 555 993 01 GUG	Black/Bordeaux Red	-BM		
	991 555 993 01 GTG	Graphite Blue/Chalk	-BG,TG		
	991 555 993 01 GRG	Espresso/Cognac	-BY		
(1)	991 555 994 01	Door panel trim (leather)	right	1	PR:9VL,-538,-625
	991 555 994 01 A11	Black	-AZ		
	991 555 994 01 OA1	agate grey	-FZ		
	991 555 994 01 OH7	Graphite Blue	-HZ		
	991 555 994 01 OK6	saddle brown	-SZ		
	991 555 994 01 7J0	Luxor beige	-UZ		
	991 555 994 01 OG6	Bordeaux red	-LZ		
	991 555 994 01 6J0	Espresso	-NE		
	991 555 994 01 JHB	Black/Dark Silver	-TD		
(1)	991 555 994 01	Door panel trim (leather)	right	1	PR:9VL,-538,-625
		two-colour			
	991 555 994 01 DTO	Black/Luxor Beige	-BT		
	991 555 994 01 GUG	Black/Bordeaux Red	-BM		
	991 555 994 01 GTG	Graphite Blue/Chalk	-BG,TG		
	991 555 994 01 GRG	Espresso/Cognac	-BY		
(1)	991 555 993 02	Door panel trim (leather)	left	1	PR:9VJ,-537,-625
	991 555 993 02 A11	Black	-AZ		
	991 555 993 02 OA1	agate grey	-FZ		
	991 555 993 02 OH7	Graphite Blue	-HZ		
	991 555 993 02 OK6	saddle brown	-SZ		
	991 555 993 02 7J0	Luxor beige	-UZ		
	991 555 993 02 OG6	Bordeaux red	-LZ		
	991 555 993 02 6J0	Espresso	-NE		
	991 555 993 02 JHB	Black/Dark Silver	-TD		
(1)	991 555 993 02	Door panel trim (leather)	left	1	PR:9VJ,-537,-625
		two-colour			
	991 555 993 02 DTO	Black/Luxor Beige	-BT		
	991 555 993 02 GUG	Black/Bordeaux Red	-BM		
	991 555 993 02 GTG	Graphite Blue/Chalk	-BG,TG		
	991 555 993 02 GRG	Espresso/Cognac	-BY		
(1)	991 555 994 02	Door panel trim (leather)	right	1	PR:9VJ,-538,-625
	991 555 994 02 A11	Black	-AZ		
	991 555 994 02 OA1	agate grey	-FZ		
	991 555 994 02 OH7	Graphite Blue	-HZ		
	991 555 994 02 OK6	saddle brown	-SZ		

Model: 991T13

Model life 2014&gt;&gt;

Pos	Part Number	Description	Remark	Qty	Model
	991 555 994 02 7J0	Luxor beige	-UZ		
	991 555 994 02 OG6	Bordeaux red	-LZ		
	991 555 994 02 6J0	Espresso	-NE		
	991 555 994 02 JHB	Black/Dark Silver	-TD		
(1)	991 555 994 02	Door panel trim (leather)	right	1	PR:9VJ,-538, -625
		two-colour			
	991 555 994 02 DTO	Black/Luxor Beige	-BT		
	991 555 994 02 GUG	Black/Bordeaux Red	-BM		
	991 555 994 02 GTG	Graphite Blue/Chalk	-BG,TG		
	991 555 994 02 GRG	Espresso/Cognac	-BY		
(1)	991 555 993 04	Door panel trim (leather)	left lhd	1	PR:9VL,537, -625,098
	991 555 993 04 A11	Black	-AZ		
	991 555 993 04 OA1	agate grey	-FZ		
	991 555 993 04 OH7	Graphite Blue	-HZ		
	991 555 993 04 OK6	saddle brown	-SZ		
	991 555 993 04 7J0	Luxor beige	-UZ		
	991 555 993 04 OG6	Bordeaux red	-LZ		
	991 555 993 04 6J0	Espresso	-NE		
	991 555 993 04 JHB	Black/Dark Silver	-TD		
(1)	991 555 993 04	Door panel trim (leather)	left lhd	1	PR:9VL,537, -625,098
		two-colour			
	991 555 993 04 DTO	Black/Luxor Beige	-BT		
	991 555 993 04 GUG	Black/Bordeaux Red	-BM		
	991 555 993 04 GTG	Graphite Blue/Chalk	-BG,TG		
	991 555 993 04 GRG	Espresso/Cognac	-BY		
(1)	991 555 994 04	Door panel trim (leather)	right rhd	1	PR:9VL,538, -625,099
	991 555 994 04 A11	Black	-AZ		
	991 555 994 04 OA1	agate grey	-FZ		
	991 555 994 04 OH7	Graphite Blue	-HZ		
	991 555 994 04 OK6	saddle brown	-SZ		
	991 555 994 04 7J0	Luxor beige	-UZ		
	991 555 994 04 OG6	Bordeaux red	-LZ		
	991 555 994 04 6J0	Espresso	-NE		
	991 555 994 04 JHB	Black/Dark Silver	-TD		
(1)	991 555 994 04	Door panel trim (leather)	right rhd	1	PR:9VL,538, -625,099
		two-colour			
	991 555 994 04 DTO	Black/Luxor Beige	-BT		
	991 555 994 04 GUG	Black/Bordeaux Red	-BM		
	991 555 994 04 GTG	Graphite Blue/Chalk	-BG,TG		
	991 555 994 04 GRG	Espresso/Cognac	-BY		
(1)	991 555 993 05	Door panel trim (leather)	left lhd	1	PR:9VJ,537, -625,098
	991 555 993 05 A11	Black	-AZ		
	991 555 993 05 OA1	agate grey	-FZ		
	991 555 993 05 OH7	Graphite Blue	-HZ		
	991 555 993 05 OK6	saddle brown	-SZ		
	991 555 993 05 7J0	Luxor beige	-UZ		
	991 555 993 05 OG6	Bordeaux red	-LZ		
	991 555 993 05 6J0	Espresso	-NE		
	991 555 993 05 JHB	Black/Dark Silver	-TD		
(1)	991 555 993 05	Door panel trim (leather)	left lhd	1	PR:9VJ,537, -625,098
		two-colour			
	991 555 993 05 DTO	Black/Luxor Beige	-BT		
	991 555 993 05 GUG	Black/Bordeaux Red	-BM		
	991 555 993 05 GTG	Graphite Blue/Chalk	-BG,TG		
	991 555 993 05 GRG	Espresso/Cognac	-BY		
(1)	991 555 994 05	Door panel trim (leather)	right rhd	1	PR:9VJ,538,

Model: 991T13 Model life 2014>>

Pos	Part Number	Description	Remark	Qty	Model
	991 555 994 05 A11	Black	-AZ		-625,099
	991 555 994 05 OA1	agate grey	-FZ		
	991 555 994 05 OH7	Graphite Blue	-HZ		
	991 555 994 05 OK6	saddle brown	-SZ		
	991 555 994 05 7J0	Luxor beige	-UZ		
	991 555 994 05 OG6	Bordeaux red	-LZ		
	991 555 994 05 6J0	Espresso	-NE		
	991 555 994 05 JHB	Black/Dark Silver	-TD		
(1)	991 555 994 05	Door panel trim (leather)	right rhd	1	PR:9VJ,538, -625,099
		two-colour			
	991 555 994 05 DTO	Black/Luxor Beige	-BT		
	991 555 994 05 GUG	Black/Bordeaux Red	-BM		
	991 555 994 05 GTG	Graphite Blue/Chalk	-BG,TG		
	991 555 994 05 GRG	Espresso/Cognac	-BY		
(1)	991 555 993 31	Door panel trim (leather)	left	1	PR:9VL,625, -537
	991 555 993 31 A11	Black	-AZ		
	991 555 993 31 OA1	agate grey	-FZ		
	991 555 993 31 OH7	Graphite Blue	-HZ		
	991 555 993 31 OK6	saddle brown	-SZ		
	991 555 993 31 7J0	Luxor beige	-UZ		
	991 555 993 31 OG6	Bordeaux red	-LZ		
	991 555 993 31 6J0	Espresso	-NE		
	991 555 993 31 JHB	Black/Dark Silver	-TD		
(1)	991 555 993 31	Door panel trim (leather)	left	1	PR:9VL,625, -537
		two-colour			
	991 555 993 31 DTO	Black/Luxor Beige	-BT		
	991 555 993 31 GUG	Black/Bordeaux Red	-BM		
	991 555 993 31 GTG	Graphite Blue/Chalk	-BG,TG		
	991 555 993 31 GRG	Espresso/Cognac	-BY		
(1)	991 555 994 31	Door panel trim (leather)	right	1	PR:9VL,625, -538
	991 555 994 31 A11	Black	-AZ		
	991 555 994 31 OA1	agate grey	-FZ		
	991 555 994 31 OH7	Graphite Blue	-HZ		
	991 555 994 31 OK6	saddle brown	-SZ		
	991 555 994 31 7J0	Luxor beige	-UZ		
	991 555 994 31 OG6	Bordeaux red	-LZ		
	991 555 994 31 6J0	Espresso	-NE		
	991 555 994 31 JHB	Black/Dark Silver	-TD		
(1)	991 555 994 31	Door panel trim (leather)	right	1	PR:9VL,625, -538
		two-colour			
	991 555 994 31 DTO	Black/Luxor Beige	-BT		
	991 555 994 31 GUG	Black/Bordeaux Red	-BM		
	991 555 994 31 GTG	Graphite Blue/Chalk	-BG,TG		
	991 555 994 31 GRG	Espresso/Cognac	-BY		
(1)	991 555 993 32	Door panel trim (leather)	left	1	PR:9VJ,625, -537
	991 555 993 32 A11	Black	-AZ		
	991 555 993 32 OA1	agate grey	-FZ		
	991 555 993 32 OH7	Graphite Blue	-HZ		
	991 555 993 32 OK6	saddle brown	-SZ		
	991 555 993 32 7J0	Luxor beige	-UZ		
	991 555 993 32 OG6	Bordeaux red	-LZ		
	991 555 993 32 6J0	Espresso	-NE		
	991 555 993 32 JHB	Black/Dark Silver	-TD		
(1)	991 555 993 32	Door panel trim (leather)	left	1	PR:9VJ,625, -537
		two-colour			

Model: 991T13 Model life 2014>>

Pos	Part Number	Description	Remark	Qty	Model			
(1)	991 555 993 32 DTO	Black/Luxor Beige	-BT	1	PR:9VJ,625, -538			
	991 555 993 32 GUG	Black/Bordeaux Red	-BM					
	991 555 993 32 GTG	Graphite Blue/Chalk	-BG,TG					
	991 555 993 32 GRG	Espresso/Cognac	-BY					
	991 555 994 32	Door panel trim (leather)	right					
	991 555 994 32 A11	Black	-AZ					
	991 555 994 32 OA1	agate grey	-FZ					
	991 555 994 32 OH7	Graphite Blue	-HZ					
	991 555 994 32 OK6	saddle brown	-SZ					
	991 555 994 32 7J0	Luxor beige	-UZ					
(1)	991 555 994 32 OG6	Bordeaux red	-LZ	1	PR:9VJ,625, -538			
	991 555 994 32 6J0	Espresso	-NE					
	991 555 994 32 JHB	Black/Dark Silver	-TD					
	991 555 994 32	Door panel trim (leather)	right					
		two-colour						
	991 555 994 32 DTO	Black/Luxor Beige	-BT					
	991 555 994 32 GUG	Black/Bordeaux Red	-BM					
	991 555 994 32 GTG	Graphite Blue/Chalk	-BG,TG					
	991 555 994 32 GRG	Espresso/Cognac	-BY					
	(1)	991 555 993 34	Door panel trim (leather)			left lhd	1	PR:9VL,537, 625,098
(1)	991 555 993 34 A11	Black	-AZ	1	PR:9VL,537, 625,098			
	991 555 993 34 OA1	agate grey	-FZ					
	991 555 993 34 OH7	Graphite Blue	-HZ					
	991 555 993 34 OK6	saddle brown	-SZ					
	991 555 993 34 7J0	Luxor beige	-UZ					
	991 555 993 34 OG6	Bordeaux red	-LZ					
	991 555 993 34 6J0	Espresso	-NE					
	991 555 993 34 JHB	Black/Dark Silver	-TD					
	(1)	991 555 993 34	Door panel trim (leather)			left lhd	1	PR:9VL,537, 625,098
		two-colour						
(1)	991 555 993 34 DTO	Black/Luxor Beige	-BT	1	PR:9VL,538, 625,099			
	991 555 993 34 GUG	Black/Bordeaux Red	-BM					
	991 555 993 34 GTG	Graphite Blue/Chalk	-BG,TG					
	991 555 993 34 GRG	Espresso/Cognac	-BY					
	(1)	991 555 994 34	Door panel trim (leather)			right rhd	1	PR:9VL,538, 625,099
	(1)	991 555 994 34 A11	Black			-AZ	1	PR:9VL,538, 625,099
		991 555 994 34 OA1	agate grey			-FZ		
		991 555 994 34 OH7	Graphite Blue			-HZ		
		991 555 994 34 OK6	saddle brown			-SZ		
		991 555 994 34 7J0	Luxor beige			-UZ		
991 555 994 34 OG6		Bordeaux red	-LZ					
991 555 994 34 6J0		Espresso	-NE					
991 555 994 34 JHB		Black/Dark Silver	-TD					
(1)		991 555 994 34	Door panel trim (leather)	right rhd	1	PR:9VL,538, 625,099		
		two-colour						
(1)	991 555 994 34 DTO	Black/Luxor Beige	-BT	1	PR:9VJ,537, 625,098			
	991 555 994 34 GUG	Black/Bordeaux Red	-BM					
	991 555 994 34 GTG	Graphite Blue/Chalk	-BG,TG					
	991 555 994 34 GRG	Espresso/Cognac	-BY					
	(1)	991 555 993 35	Door panel trim (leather)			left lhd	1	PR:9VJ,537, 625,098
	(1)	991 555 993 35 A11	Black			-AZ	1	PR:9VJ,537, 625,098
		991 555 993 35 OA1	agate grey			-FZ		
		991 555 993 35 OH7	Graphite Blue			-HZ		
		991 555 993 35 OK6	saddle brown			-SZ		
		991 555 993 35 7J0	Luxor beige			-UZ		
991 555 993 35 OG6		Bordeaux red	-LZ					

Model: 991T13

Model life 2014>>

Pos	Part Number	Description	Remark	Qty	Model
(1)	991 555 993 35 6J0	Espresso	-NE	1	PR:9VJ,537, 625,098
	991 555 993 35 JHB	Black/Dark Silver	-TD		
	991 555 993 35	Door panel trim (leather)	left lhd		
		two-colour			
(1)	991 555 993 35 DTO	Black/Luxor Beige	-BT	1	PR:9VJ,538, 625,099
	991 555 993 35 GUG	Black/Bordeaux Red	-BM		
	991 555 993 35 GTG	Graphite Blue/Chalk	-BG,TG		
	991 555 993 35 GRG	Espresso/Cognac	-BY		
	991 555 994 35	Door panel trim (leather)	right rhd		
	991 555 994 35 A11	Black	-AZ		
	991 555 994 35 OA1	agate grey	-FZ		
	991 555 994 35 OH7	Graphite Blue	-HZ		
	991 555 994 35 OK6	saddle brown	-SZ		
	991 555 994 35 7J0	Luxor beige	-UZ		
(1)	991 555 994 35 OG6	Bordeaux red	-LZ	1	PR:9VJ,538, 625,099
	991 555 994 35 6J0	Espresso	-NE		
	991 555 994 35 JHB	Black/Dark Silver	-TD		
	991 555 994 35	Door panel trim (leather)	right rhd		
		two-colour			
	991 555 994 35 DTO	Black/Luxor Beige	-BT		
	991 555 994 35 GUG	Black/Bordeaux Red	-BM		
	991 555 994 35 GTG	Graphite Blue/Chalk	-BG,TG		
	991 555 994 35 GRG	Espresso/Cognac	-BY		
	2	999 507 533 02	Clamp 8,0 X 10,0 /2,5		
3	991 555 521 02	Inner actuator	left	1	
	991 555 521 02 V08	Galvano silver			
(3)	991 555 522 02	Inner actuator	right	1	
	991 555 522 02 V08	Galvano silver			
4	991 555 533 00	Pull handle Leather	left	1	
(4)	991 555 533 00 A11	Black	-AZ	1	
	991 555 533 00 OA1	agate grey	-FZ		
	991 555 533 00 OH7	Graphite Blue	-HZ		
	991 555 533 00 OK6	saddle brown	-SZ		
	991 555 533 00 7J0	Luxor beige	-UZ,BT		
	991 555 533 00 OG6	Bordeaux red	-LZ,BM		
	991 555 533 00 OL8	Chalk	-BG,TG		
	991 555 533 00 6J0	Espresso	-NE		
	991 555 533 00 7F0	Cognac	-BY		
	991 555 533 00 JHB	Black/Dark Silver	-TD		
	991 555 534 00	Pull handle (leather)	right		
	991 555 534 00 A11	Black	-AZ		
	991 555 534 00 OA1	agate grey	-FZ		
	991 555 534 00 OH7	Graphite Blue	-HZ		
	991 555 534 00 OK6	saddle brown	-SZ		
	991 555 534 00 7J0	Luxor beige	-UZ,BT		
991 555 534 00 OG6	Bordeaux red	-LZ,BM			
991 555 534 00 OL8	Chalk	-BG,TG			
991 555 534 00 6J0	Espresso	-NE			
991 555 534 00 7F0	Cognac	-BY			
991 555 534 00 JHB	Black/Dark Silver	-TD			
5	999 919 262 01	fillister hd. bolt 4,0 X 16,0		9	
6	970 632 135 00	Door warning light		2	
7	991 555 723 01	Mounting frame Switch		1	
8	991 555 723 01 1E0	Black		1	
	991 555 721 02	Cover	left front		

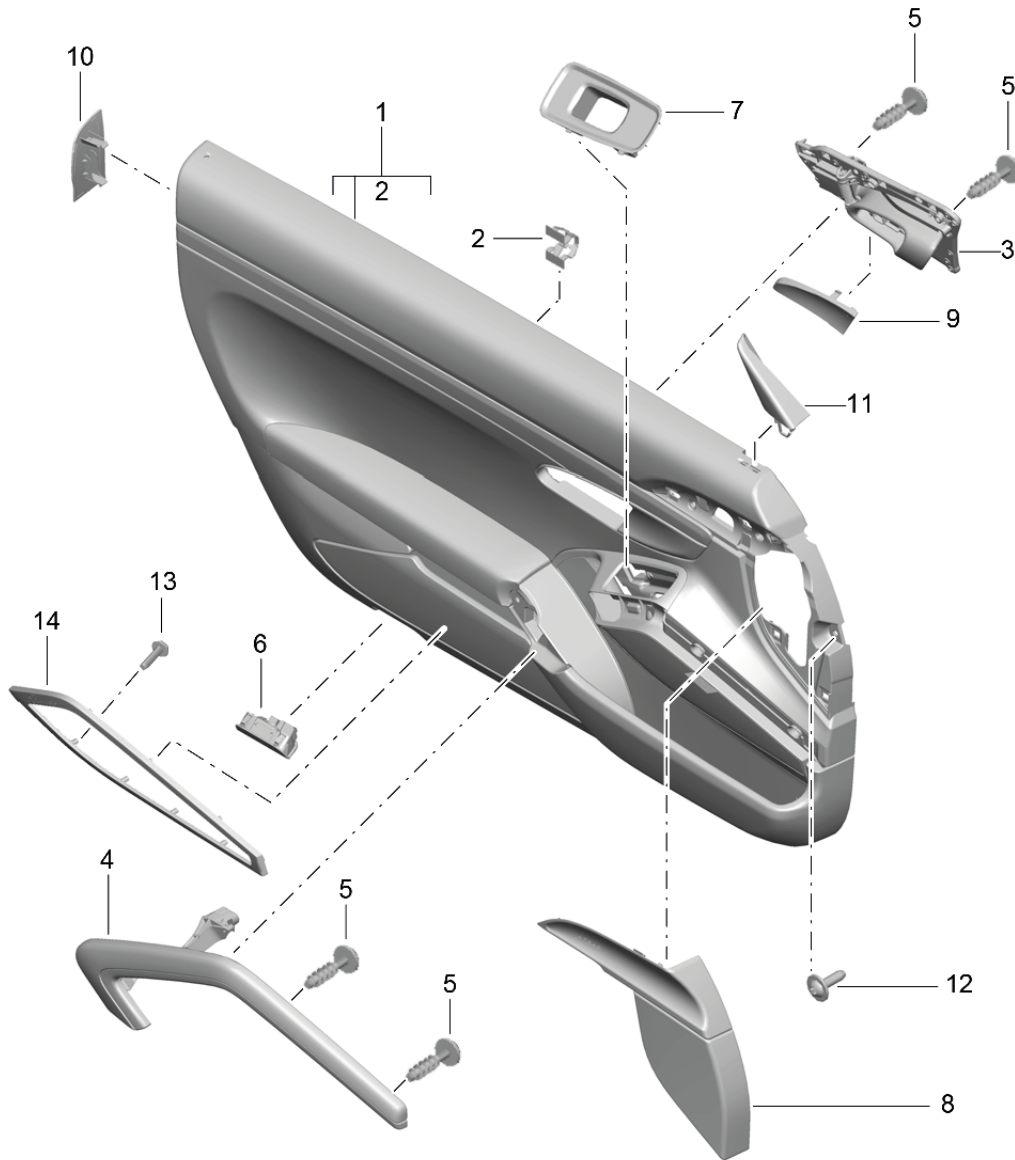
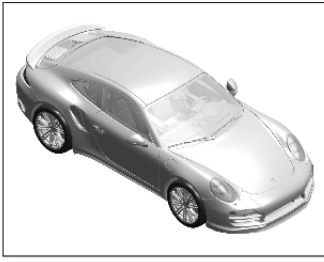


Model: 991T13 Model life 2014>>

Pos	Part Number	Description	Remark	Qty	Model
	991 555 721 02 5Q0	Black	-AZ, BT, BM, TD		
	991 555 721 02 OA6	agate grey	-FZ		
	991 555 721 02 OH7	Graphite Blue	-HZ, BG, TG		
	991 555 721 02 OL7	saddle brown	-SZ		
	991 555 721 02 6W0	Luxor beige	-UZ		
	991 555 721 02 OG6	Bordeaux red	-LZ		
	991 555 721 02 3T0	Espresso	-NE, BY		
(8)	991 555 722 02	Cover	right	1	
			front		
	991 555 722 02 5Q0	Black	-AZ, BT, BM, TD		
	991 555 722 02 OA6	agate grey	-FZ		
	991 555 722 02 OH7	Graphite Blue	-HZ, BG, TG		
	991 555 722 02 OL7	saddle brown	-SZ		
	991 555 722 02 6W0	Luxor beige	-UZ		
	991 555 722 02 OG6	Bordeaux red	-LZ		
	991 555 722 02 3T0	Espresso	-NE, BY		
(9)	7PP 837 247	Cover panel	left	1	
		Inner actuator			
(9)	7PP 837 247 1E0	Black			
(9)	7PP 837 248	Cover panel	right	1	
		Inner actuator			
	7PP 837 248 1E0	Black			
10	991 555 683 01	cover for airbag	left	1	
	991 555 683 01 5Q0	Black	-AZ, BT, BM, TD		
	991 555 683 01 OA6	agate grey	-FZ		
	991 555 683 01 OH7	Graphite Blue	-HZ, BG, TG		
	991 555 683 01 OL7	saddle brown	-SZ		
	991 555 683 01 6W0	Luxor beige	-UZ		
	991 555 683 01 OG6	Bordeaux red	-LZ		
	991 555 683 01 3T0	Espresso	-NE, BY		
(10)	991 555 684 01	cover for airbag	right	1	
	991 555 684 01 5Q0	Black	-AZ, BT, BM, TD		
	991 555 684 01 OA6	agate grey	-FZ		
	991 555 684 01 OH7	Graphite Blue	-HZ, BG, TG		
	991 555 684 01 OL7	saddle brown	-SZ		
	991 555 684 01 6W0	Luxor beige	-UZ		
	991 555 684 01 OG6	Bordeaux red	-LZ		
	991 555 684 01 3T0	Espresso	-NE, BY		
11	991 555 741 00	Cover panel	left	1	
		window frame			
	991 555 741 00 1E0	Black			
(11)	991 555 742 00	Cover panel	right	1	
		window frame			
	991 555 742 00 1E0	Black			
12	999 073 322 02	fillister hd. bolt		8	
		M 6 X 20			
13	999 919 167 09	fillister hd. bolt		10	PR:9VJ
		M 3 X 10			
14	991 555 581 00	decorative frame	left	1	PR:9VJ
		Loudspeaker trim			
	991 555 581 00 V08	Galvano silver			
(14)	991 555 582 00	decorative frame	right	1	PR:9VJ
		Loudspeaker trim			
	991 555 582 00 V08	Galvano silver			

Model: 991T13

Model life 2014>>



Model: 991T13

Model life 2014&gt;&gt;

Pos	Part Number	Description	Remark	Qty	Model
		door panel Accessories Exclusive Standard			PR:028,981
(1)	991 555 993 F7	Door panel trim (leather)	left	1	PR:9VL,-625
	991 555 993 F7 A11	Black	-AZ		
	991 555 993 F7 HJM	Black/Gold-yellow SCHWARZ/GOLDGELB	-60		
(1)	991 555 994 C7	Door panel trim (leather)	right	1	PR:9VL,-625
	991 555 994 C7 A11	Black	-AZ		
	991 555 994 C7 HJM	Black/Gold-yellow SCHWARZ/GOLDGELB	-60		
(1)	991 555 993 F9	Door panel trim (leather)	left	1	PR:9VJ,-625
	991 555 993 F9 A11	Black	-AZ		
	991 555 993 F9 HJM	Black/Gold-yellow SCHWARZ/GOLDGELB	-60		
(1)	991 555 994 C9	Door panel trim (leather)	right	1	PR:9VJ,-625
	991 555 994 C9 A11	Black	-AZ		
	991 555 994 C9 HJM	Black/Gold-yellow SCHWARZ/GOLDGELB	-60		
(1)	991 555 993 F3	Door panel trim (leather)	left	1	PR:9VL,625
	991 555 993 F3 A11	Black	-AZ		
	991 555 993 F3 HJM	Black/Gold-yellow SCHWARZ/GOLDGELB	-60		
(1)	991 555 994 C3	Door panel trim (leather)	right	1	PR:9VL,625
	991 555 994 C3 A11	Black	-AZ		
	991 555 994 C3 HJM	Black/Gold-yellow SCHWARZ/GOLDGELB	-60		
(1)	991 555 993 F5	Door panel trim (leather)	left	1	PR:9VJ,625
	991 555 993 F5 A11	Black	-AZ		
	991 555 993 F5 HJM	Black/Gold-yellow SCHWARZ/GOLDGELB	-60		
(1)	991 555 994 C5	Door panel trim (leather)	right	1	PR:9VJ,625
	991 555 994 C5 A11	Black	-AZ		
	991 555 994 C5 HJM	Black/Gold-yellow SCHWARZ/GOLDGELB	-60		
2	999 507 533 02	Clamp 8,0 X 10,0 /2,5		4	
3	991 555 521 02	Inner actuator	left	1	
	991 555 521 02 V08	Galvano silver			
(3)	991 555 522 02	Inner actuator	right	1	
	991 555 522 02 V08	Galvano silver			
4	991 555 533 00	Pull handle Leather	left	1	
	991 555 533 00 A11	Black	-AZ		
	991 555 533 00 HJM	Black/Gold-yellow SCHWARZ/GOLDGELB	-60		
(4)	991 555 534 00	Pull handle (leather)	right	1	
	991 555 534 00 A11	Black	-AZ		
	991 555 534 00 HJM	Black/Gold-yellow SCHWARZ/GOLDGELB	-60		
5	999 919 262 01	fillister hd. bolt 4,0 X 16,0		9	
6	1K0 947 419 A	rear light reflector		2	
7	7PP 945 699	inscription Bose		2	
8	991 555 723 02	Mounting frame Switch		1	
	991 555 723 02 1E0	Black			
9	991 555 721 02	Cover	left front	1	
	991 555 721 02 5Q0	Black	-AZ,60		
(9)	991 555 722 02	Cover	right	1	

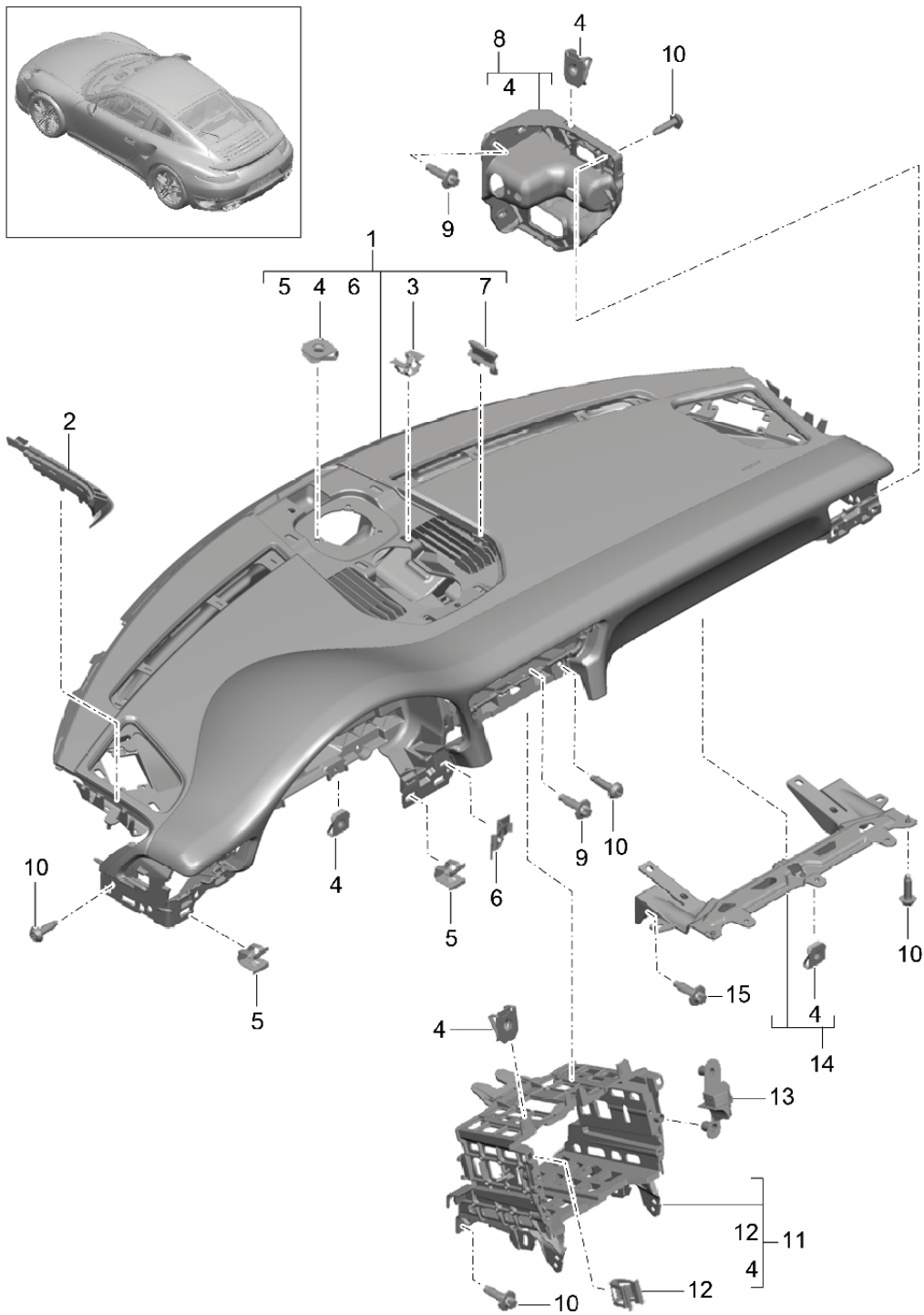
Model: 991T13

Model life 2014>>

Pos	Part Number	Description	Remark	Qty	Model
10	991 555 722 02 5Q0 7PP 837 247	Black Cover panel Inner actuator	front -AZ,60 left	1	
(10)	7PP 837 247 1E0 7PP 837 248	Black Cover panel Inner actuator	right	1	
11	7PP 837 248 1E0 991 555 683 01	Black cover for airbag	left	1	
(11)	991 555 683 01 5Q0 991 555 684 01	Black cover for airbag	-AZ,60 right	1	
12	991 555 684 01 5Q0 991 555 741 00	Black Cover panel window frame	-AZ,60 left	1	
(12)	991 555 741 00 1E0 991 555 742 00	Black Cover panel window frame	right	1	
13	991 555 742 00 1E0 999 073 322 02	Black fillister hd. bolt M 6 X 20		8	
14	999 919 203 07	fillister hd. bolt M 3 X 10		10	
15	991 555 581 00	decorative frame Loudspeaker trim	left	1	PR:9VJ
(15)	991 555 581 00 V08 991 555 582 00	Galvano silver decorative frame Loudspeaker trim	right	1	PR:9VJ
	991 555 582 00 V08	Galvano silver			

Model: 991T13

Model life 2014>>



Model: 991T13

Model life 2014>>

Pos	Part Number	Description	Remark	Qty	Model
		Instrument panel trim Upper part			
		with:			
		Fasteners			
		D >> - MJ 2016			
(1)	991 552 101 07	Instrument panel trim Upper part	lhd	1	PR:098,981
	991 552 101 07 A11	Black	-AZ		
	991 552 101 07 9B0	Platinum Grey	-CZ		
	991 552 101 07 7J0	Luxor beige	-UZ		
	991 552 101 07 6A0	yachting blue	-EZ		
	991 552 101 07 OA1	agate grey	-DK		
	991 552 101 07 GEF	Black/Platinum Grey	-BR		
	991 552 101 07 GMF	Agate Grey/Pebble Grey	-BV		
	991 552 101 07 6J0	Espresso	-NE		
	991 552 101 07 N12	Carrera Red	-NG		
	991 552 101 07 DTK	Black/Luxor Beige	-BL		
	991 552 101 07 DQU	Black/Carrera Red	-BA,BQ		
	991 552 101 07 GRF	Espresso/Cognac	-BH		
(1)	991 552 102 05	Instrument panel trim Upper part	rhd	1	PR:981,099
	991 552 102 05 A11	Black	-AZ		
	991 552 102 05 9B0	Platinum Grey	-CZ		
	991 552 102 05 7J0	Luxor beige	-UZ		
	991 552 102 05 6A0	yachting blue	-EZ		
	991 552 102 05 OA1	agate grey	-DK		
	991 552 102 05 GEF	Black/Platinum Grey	-BR		
	991 552 102 05 GMF	Agate Grey/Pebble Grey	-BV		
	991 552 102 05 6J0	Espresso	-NE		
	991 552 102 05 N12	Carrera Red	-NG		
	991 552 102 05 DTK	Black/Luxor Beige	-BL		
	991 552 102 05 DQU	Black/Carrera Red	-BA,BQ		
	991 552 102 05 GRF	Espresso/Cognac	-BH		
2	991 552 581 00	Insert A-pillar	left	1	
(2)	991 552 582 00	Insert A-pillar	right	1	
3	999 507 533 02	Clamp Mount		14	
4	999 507 556 01	Defroster trim panel nut M5		X	
5	8E0 853 107	Clip		4	
6	955 552 107 00	Retaining clip		2	
7	999 591 547 01	U-clip		2	
8	991 552 620 00	Retainer for support frame	right	1	
(8)	991 552 619 00	Retainer for support frame	left	1	
9	999 919 278 01	Hexagon head bolt M6 X 20		X	
10	999 073 498 01	fillister hd. bolt M5X20		X	
11	991 552 111 01	Mounting frame PCM		1	
12	8T0 853 107	Clip		2	
13	991 552 825 01	Connecting piece	upper	1	PR:981
	991 552 825 01 1E0	Black	-AZ, EZ, DK, BR, BL, BV, BA, BQ, NE, BH, 99		
	991 552 825 01 6L0	Platinum Grey	-CZ		
	991 552 825 01 4H0	Luxor beige	-UZ		
	991 552 825 01 OW5	Carrera Red	-NG		
(13)	991 552 826 01	Connecting piece	upper	1	PR:981
	991 552 826 01 1E0	Black	-AZ, EZ, DK, BR,		

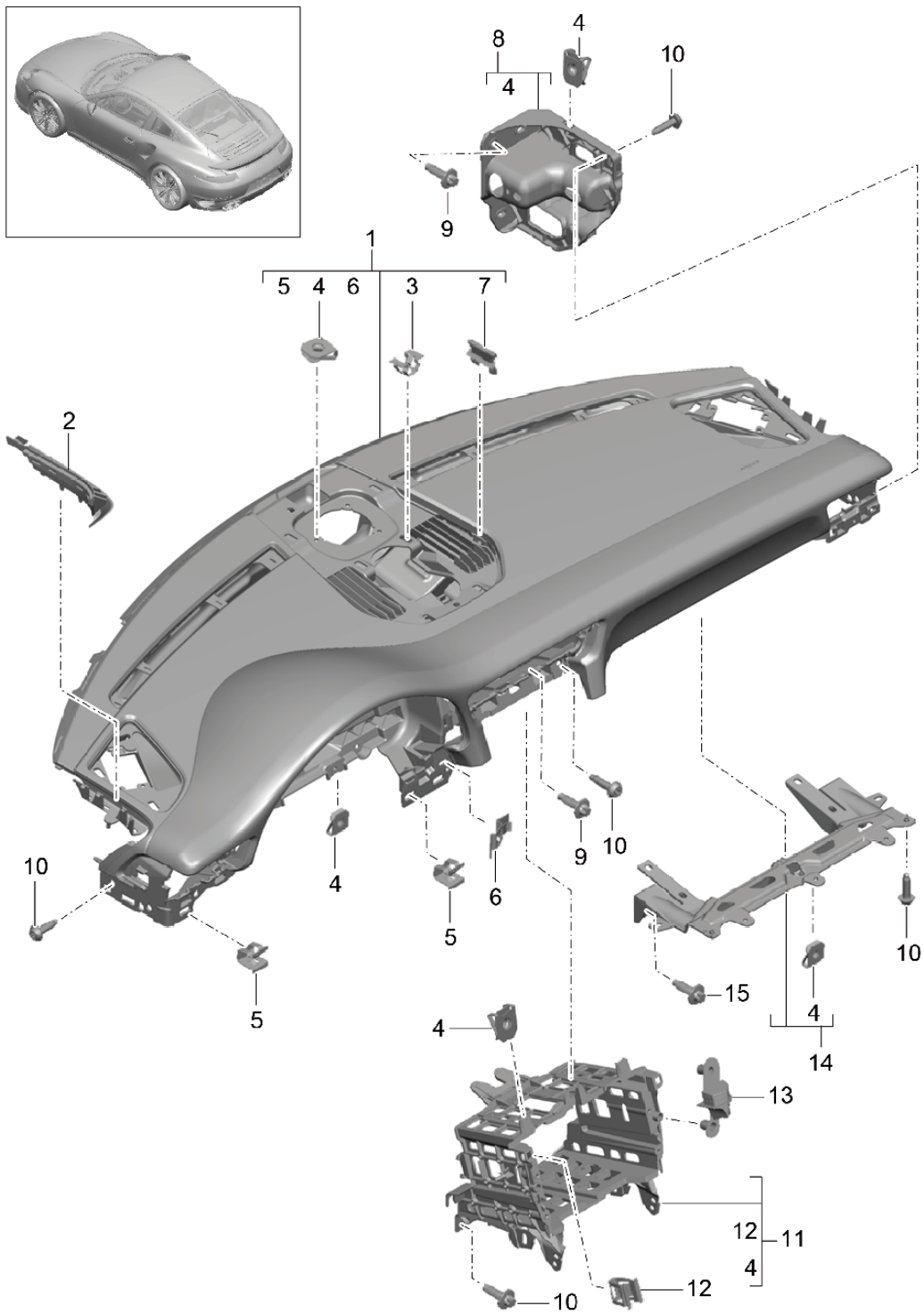
Model: 991T13

Model life 2014>>

Pos	Part Number	Description	Remark	Qty	Model
	991 552 826 01 6L0	Platinum Grey	BL, BV, BA, BQ,		
	991 552 826 01 4H0	Luxor beige	NE, BH, 99		
	991 552 826 01 OW5	Carrera Red	-CZ		
14	991 552 360 02	bracket for airbag (passenger side)	-UZ -NG	1	

Model: 991T13

Model life 2014>>





Model: 991T13

Model life 2014>>

Pos	Part Number	Description	Remark	Qty	Model
		Instrument panel trim Upper part			
		with:			
		Fasteners			
		D - MJ 2017>>			
1	991 552 101 13	Instrument panel trim Upper part	lhd	1	PR:098,981
	991 552 101 13 A11	Black	-AZ		
	991 552 101 13 OA1	agate grey	-FZ		
	991 552 101 13 OH7	Graphite Blue	-HZ		
	991 552 101 13 OK6	saddle brown	-SZ		
	991 552 101 13 7J0	Luxor beige	-UZ		
	991 552 101 13 OG6	Bordeaux red	-LZ		
	991 552 101 13 DTK	Black/Luxor Beige	-BT		
	991 552 101 13 GUF	Black/Bordeaux Red	-BM		
	991 552 101 13 GTF	Graphite Blue/Chalk	-BG,TG		
	991 552 101 13 JHB	Black/Dark Silver	-TD		
	991 552 101 13 6J0	Espresso	-NE		
	991 552 101 13 GRF	Espresso/Cognac	-BY		
	991 552 101 13 HJM	Black/Gold-yellow	-60		
	991 552 101 13 DRK	Black/Guards Red	-63,68		
	991 552 101 13 DPE	Black/Platinum Grey	-78		
(1)	991 552 102 11	Instrument panel trim Upper part	rhd	1	PR:099,981
	991 552 102 11 A11	Black	-AZ		
	991 552 102 11 OA1	agate grey	-FZ		
	991 552 102 11 OH7	Graphite Blue	-HZ		
	991 552 102 11 OK6	saddle brown	-SZ		
	991 552 102 11 7J0	Luxor beige	-UZ		
	991 552 102 11 OG6	Bordeaux red	-LZ		
	991 552 102 11 DTK	Black/Luxor Beige	-BT		
	991 552 102 11 GUF	Black/Bordeaux Red	-BM		
	991 552 102 11 GTF	Graphite Blue/Chalk	-BG,TG		
	991 552 102 11 JHB	Black/Dark Silver	-TD		
	991 552 102 11 6J0	Espresso	-NE		
	991 552 102 11 GRF	Espresso/Cognac	-BY		
	991 552 102 11 HJM	Black/Gold-yellow	-60		
	991 552 102 11 DRK	Black/Guards Red	-63,68		
	991 552 102 11 DPE	Black/Platinum Grey	-78		
1	991 552 101 06	Instrument panel trim Upper part Leatherette	lhd	1	PR:098,-981
	991 552 101 06 DK4	Black	-43		
(1)	991 552 102 04	Instrument panel trim Upper part Leatherette	rhd	1	PR:099,-981
	991 552 102 04 DK4	Black	-43		
2	991 552 581 00	Insert A-pillar	left	1	
(2)	991 552 582 00	Insert A-pillar	right	1	
3	999 507 533 02	Clamp Mount		14	
4	999 507 556 01	Defroster trim panel nut M5		X	
5	8E0 853 107	Clip		4	
6	955 552 107 00	Retaining clip		2	
7	999 591 547 01	U-clip		2	
8	991 552 619 00	Retainer for support frame	left	1	
(8)	991 552 620 00	Retainer for support frame	right	1	
9	999 919 278 01	Hexagon head bolt M6 X 20		X	

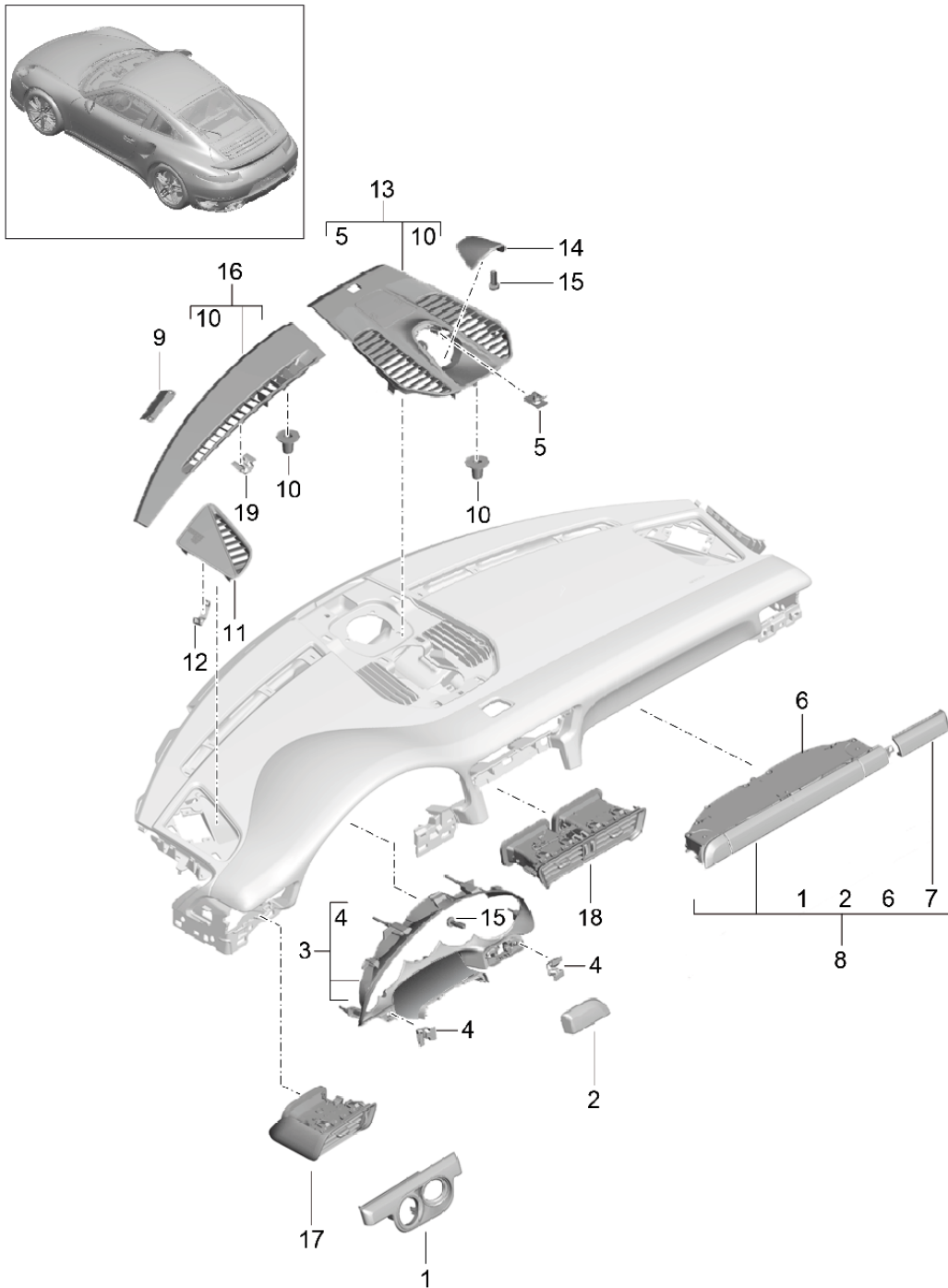
Model: 991T13

Model life 2014>>

Pos	Part Number	Description	Remark	Qty	Model
10	999 073 498 01	fillister hd. bolt M5X20		X	
(11)	991 552 111 02	Mounting frame PCM		1	
12	8T0 853 107	Clip		2	
13	991 552 825 01	Connecting piece	left	1	PR:981
	991 552 825 01 1E0	Black	lower -AZ, FZ, HZ, BT, BM, BG, TD, TG, NE, BY, 60, 63, 68, 78		
	991 552 825 01 OM8	saddle brown	-SZ		
	991 552 825 01 4H0	Luxor beige	-UZ		
	991 552 825 01 OG6	Bordeaux red	-LZ		
(13)	991 552 826 01	Connecting piece	right	1	PR:981
	991 552 826 01 1E0	Black	lower -AZ, FZ, HZ, BT, BM, BG, TD, TG, NE, BY, 60, 63, 68, 78		
	991 552 826 01 OM8	saddle brown	-SZ		
	991 552 826 01 4H0	Luxor beige	-UZ		
	991 552 826 01 OG6	Bordeaux red	-LZ		
14	991 552 360 02	bracket for airbag (passenger side)		1	

Model: 991T13

Model life 2014>>



Model: 991T13 Model life 2014>>

Pos	Part Number	Description	Remark	Qty	Model
1	991 552 381 02	Accessories Instrument panel trim Upper part D >> - MJ 2016 Trim (drivers side)	lhd	1	PR:098,-XDM, -XGB,-XHE, -XVP,-XYD
(1)	991 552 381 02 V08 991 552 382 02	Lighting Galvano silver Trim (drivers side)	rhd	1	PR:099,-XDM, -XGB,-XHE, -XVP,-XYD
2	991 552 382 02 V08 991 552 383 01	Lighting Galvano silver Trim (drivers side)	lhd	1	PR:098,-XDM, -XGB,-XHE, -XVP,-XYD
(2)	991 552 383 01 V08 991 552 384 01	Lighting Galvano silver Trim (drivers side)	rhd	1	PR:099,-XDM, -XGB,-XHE, -XVP,-XYD
3	991 552 384 01 V08 991 552 525 01	Galvano silver Trim Combi-instrument	lhd	1	PR:098,-XNG
(3)	991 552 525 01 5Q0 991 552 525 01 4U0 991 552 525 01 6W0 991 552 525 01 8Y0 991 552 525 01 OA6 991 552 525 01 3T0 991 552 525 01 OE1 991 552 526 01	Black Platinum Grey Luxor beige yachting blue agate grey Espresso Carrera Red Trim Combi-instrument	-AZ, BR, BL, BA, BQ, 99 -CZ -UZ -EZ -DK, BV -NE, BH -NG rhd	1	PR:099,-XNG
(3)	991 552 526 01 5Q0 991 552 526 01 4U0 991 552 526 01 6W0 991 552 526 01 8Y0 991 552 526 01 OA6 991 552 526 01 3T0 991 552 526 01 OE1 991 552 978 00	Black Platinum Grey Luxor beige yachting blue agate grey Espresso Carrera Red Leather panel Combi-instrument	-AZ, BR, BL, BA, BQ, 99 -CZ -UZ -EZ -DK, BV -NE, BH -NG lhd	1	PR:098,XNG
(3)	991 552 978 00 A11 991 552 978 00 9B0 991 552 978 00 7J0 991 552 978 00 6A0 991 552 978 00 OA1 991 552 978 00 6J0 991 552 978 00 N12 991 552 979 00	Black Platinum Grey Luxor beige yachting blue agate grey Espresso Carrera Red Leather panel Combi-instrument	-AZ, BR, BL, BA, BQ, 99 -CZ -UZ -EZ -DK, BV -NE, BH -NG rhd	1	PR:099,XNG
4	991 552 979 00 A11 991 552 979 00 9B0 991 552 979 00 7J0 991 552 979 00 6A0 991 552 979 00 OA1 991 552 979 00 6J0 991 552 979 00 N12 999 507 533 02	Black Platinum Grey Luxor beige yachting blue agate grey Espresso Carrera Red Clamp	-AZ, BR, BL, BA, BQ, 99 -CZ -UZ -EZ -DK, BV -NE, BH -NG	X	

Model: 991T13 Model life 2014>>

Pos	Part Number	Description	Remark	Qty	Model
5	999 507 971 01	panel nut		2	
6	991 552 194 02	Drinks holder	lhd	1	PR:098,-XDM, -XGB,-XHE, -XVP,-XYD
(6)	991 552 194 02 V08 991 552 193 02	Galvano silver Drinks holder	rhd	1	PR:099,-XDM, -XGB,-XHE, -XVP,-XYD
7	991 552 193 02 V08 991 552 388 01	Galvano silver Trim (passenger side)	lhd	1	PR:098,-XDM, -XGB,-XHE, -XVP,-XYD
(7)	991 552 388 01 V08 991 552 387 01	Galvano silver Trim (passenger side)	rhd	1	PR:099,-XDM, -XGB,-XHE, -XVP,-XYD
8	991 552 387 01 V08 991 552 980 20	Galvano silver 1 set trim strips for vehicle interior Trim	lhd	1	PR:XVP,098
		with:			
	991 552 980 20 A11	Black	-AZ		
	991 552 980 20 9B0	Platinum Grey	-CZ,BR		
	991 552 980 20 7J0	Luxor beige	-UZ,BL		
	991 552 980 20 6A0	yachting blue	-EZ		
	991 552 980 20 OA1	agate grey	-DK		
	991 552 980 20 OD4	flint grey	-BV		
	991 552 980 20 6J0	Espresso	-NE		
	991 552 980 20 N12	Carrera Red	-NG,BA,BQ		
	991 552 980 20 7F0	Cognac	-BH		
(8)	991 552 981 20	1 set trim strips for vehicle interior Trim	rhd	1	PR:XVP,099
		with:			
	991 552 981 20 A11	Black	-AZ		
	991 552 981 20 9B0	Platinum Grey	-CZ,BR		
	991 552 981 20 7J0	Luxor beige	-UZ,BL		
	991 552 981 20 6A0	yachting blue	-EZ		
	991 552 981 20 OA1	agate grey	-DK		
	991 552 981 20 OD4	flint grey	-BV		
	991 552 981 20 6J0	Espresso	-NE		
	991 552 981 20 N12	Carrera Red	-NG,BA,BQ		
	991 552 981 20 7F0	Cognac	-BH		
(8)	991 552 980 21	1 set trim strips for vehicle interior Trim	lhd	1	PR:XGB,098
		with:			
(8)	991 552 980 21 BX3 991 552 981 21	Carbon, fine high-gloss 1 set trim strips for vehicle interior Trim	rhd	1	PR:XGB,099
		with:			
(8)	991 552 981 21 BX3 991 552 980 22	Carbon, fine high-gloss 1 set trim strips for vehicle interior Trim	lhd	1	PR:XHE,098
		with:			
(8)	991 552 980 22 S65 991 552 981 22	mahagoni 1 set trim strips for vehicle interior Trim	rhd	1	PR:XHE,099
		with:			
	991 552 981 22 S65	mahagoni			

Model: 991T13 Model life 2014>>

Pos	Part Number	Description	Remark	Qty	Model
(8)	991 552 980 23	1 set trim strips for vehicle interior Trim	lhd	1	PR:XYD,098
		with:			
(8)	991 552 980 23 U03 991 552 981 23	Aluminium, brushed 1 set trim strips for vehicle interior Trim	rhd	1	PR:XYD,099
		with:			
(8)	991 552 981 23 U03 991 552 980 24	Aluminium, brushed 1 set trim strips for vehicle interior Trim	lhd	1	PR:XDM,098
		with:			
	991 552 980 24 041	Black			
	991 552 980 24 84A	guards red (Porsche)			
	991 552 980 24 1S1	Racing Yellow			
	991 552 980 24 C9A	white			
	991 552 980 24 C9Z	Basalt black metallic			
	991 552 980 24 M7S	Achat Grey Metallic			
	991 552 980 24 M8S	Anthracite Brown Metallic			
	991 552 980 24 M8Y	Mahogany Metallic			
	991 552 980 24 8L1	Amaranth Red Metallic			
	991 552 980 24 M5X	Dark blue metallic			
	991 552 980 24 M5J	Sapphire Blue Metallic			
	991 552 980 24 5P1	Lime Gold Metallic			
	991 552 980 24 M7Z	GT Silver Metallic			
	991 552 980 24 M7U	Rhodium Silver Metallic			
(8)	991 552 981 24	1 set trim strips for vehicle interior Trim	rhd	1	PR:XDM,099
		with:			
	991 552 981 24 041	Black			
	991 552 981 24 84A	guards red (Porsche)			
	991 552 981 24 1S1	Racing Yellow			
	991 552 981 24 C9A	white			
	991 552 981 24 C9Z	Basalt black metallic			
	991 552 981 24 M7S	Achat Grey Metallic			
	991 552 981 24 M8S	Anthracite Brown Metallic			
	991 552 981 24 M8Y	Mahogany Metallic			
	991 552 981 24 8L1	Amaranth Red Metallic			
	991 552 981 24 M5X	Dark blue metallic			
	991 552 981 24 M5J	Sapphire Blue Metallic			
	991 552 981 24 5P1	Lime Gold Metallic			
	991 552 981 24 M7Z	GT Silver Metallic			
	991 552 981 24 M7U	Rhodium Silver Metallic			
9	991 552 711 00	Trim Defroster	left	1	
(9)	991 552 712 00	Trim Defroster	right	1	
10	999 702 559 40	Grommet		X	
11	991 552 575 00	Loudspeaker trim	left	1	PR:490,680
	991 552 575 00 5Q0	Black	-AZ, BR, BL, BA, BQ, 99		
	991 552 575 00 4U0	Platinum Grey	-CZ		
	991 552 575 00 6W0	Luxor beige	-UZ		
	991 552 575 00 8Y0	yachting blue	-EZ		
	991 552 575 00 OA6	agate grey	-DK, BV		
	991 552 575 00 3T0	Espresso	-NE, BH		
	991 552 575 00 OE1	Carrera Red	-NG		
(11)	991 552 576 00	Loudspeaker trim	right	1	PR:490,680
	991 552 576 00 5Q0	Black	-AZ, BR, BL, BA, BQ, 99		

Model: 991T13 Model life 2014>>

Pos	Part Number	Description	Remark	Qty	Model
(11)	991 552 576 00 4U0	Platinum Grey	-CZ	1	PR:682
	991 552 576 00 6W0	Luxor beige	-UZ		
	991 552 576 00 8Y0	yachting blue	-EZ		
	991 552 576 00 OA6	agate grey	-DK,BV		
	991 552 576 00 3T0	Espresso	-NE,BH		
	991 552 576 00 OE1	Carrera Red	-NG		
	991 552 575 01	Loudspeaker trim	left		
(11)	991 552 575 01 5Q0	Black	-AZ, BR, BL, BA, BQ, 99	1	PR:682
	991 552 575 01 4U0	Platinum Grey	-CZ		
	991 552 575 01 6W0	Luxor beige	-UZ		
	991 552 575 01 8Y0	yachting blue	-EZ		
	991 552 575 01 OA6	agate grey	-DK,BV		
	991 552 575 01 3T0	Espresso	-NE,BH		
	991 552 575 01 OE1	Carrera Red	-NG		
12	991 552 576 01	Loudspeaker trim	right	2	PR:490,680
	991 552 576 01 5Q0	Black	-AZ, BR, BL, BA, BQ, 99		
	991 552 576 01 4U0	Platinum Grey	-CZ		
	991 552 576 01 6W0	Luxor beige	-UZ		
	991 552 576 01 8Y0	yachting blue	-EZ		
	991 552 576 01 OA6	agate grey	-DK,BV		
	991 552 576 01 3T0	Espresso	-NE,BH		
13	991 552 775 00	Retaining bar	-NG	1	PR:639,640
	991 552 151 02	Trim	center		
	991 552 151 02 5Q0	Black	-AZ, BR, BL, BA, BQ, 99		
	991 552 151 02 4U0	Platinum Grey	-CZ		
	991 552 151 02 6W0	Luxor beige	-UZ		
	991 552 151 02 8Y0	yachting blue	-EZ		
	991 552 151 02 OA6	agate grey	-DK,BV		
(13)	991 552 151 02 3T0	Espresso	-NE,BH	1	PR:-639,-640
	991 552 151 02 OE1	Carrera Red	-NG		
	991 552 151 00	Trim	center		
	991 552 151 00 5Q0	Black	-AZ, BR, BL, BA, BQ, 99		
	991 552 151 00 4U0	Platinum Grey	-CZ		
	991 552 151 00 6W0	Luxor beige	-UZ		
	991 552 151 00 8Y0	yachting blue	-EZ		
(14)	991 552 151 00 OA6	agate grey	-DK,BV	1	PR:639,640, 981
	991 552 151 00 3T0	Espresso	-NE,BH		
	991 552 151 00 OE1	Carrera Red	-NG		
	991 552 557 03	Top half			
	991 552 557 03 A11	Stopwatch			
	991 552 557 03	Black	-AZ, BR, BL, BA, BQ, 99		
	991 552 557 03 9B0	Platinum Grey	-CZ		
15	991 552 557 03 7J0	Luxor beige	-UZ	2	
	991 552 557 03 6A0	yachting blue	-EZ		
	991 552 557 03 OA1	agate grey	-DK,BV		
	991 552 557 03 6J0	Espresso	-NE,BH		
	991 552 557 03 N12	Carrera Red	-NG		
	999 919 167 09	fillister hd. bolt			
	999 919 167 09	3,0 X 10			
16	991 552 375 02	Mount		1	PR:981
	991 552 375 02	Top half			
	991 552 375 02	Defroster trim	left		
16	991 552 375 02 5Q0	Leather		1	PR:981
	991 552 375 02 5Q0	Black	-AZ, BR, BL, BA, BQ, 99		
	991 552 375 02 4U0	Platinum Grey	-CZ		

Model: 991T13

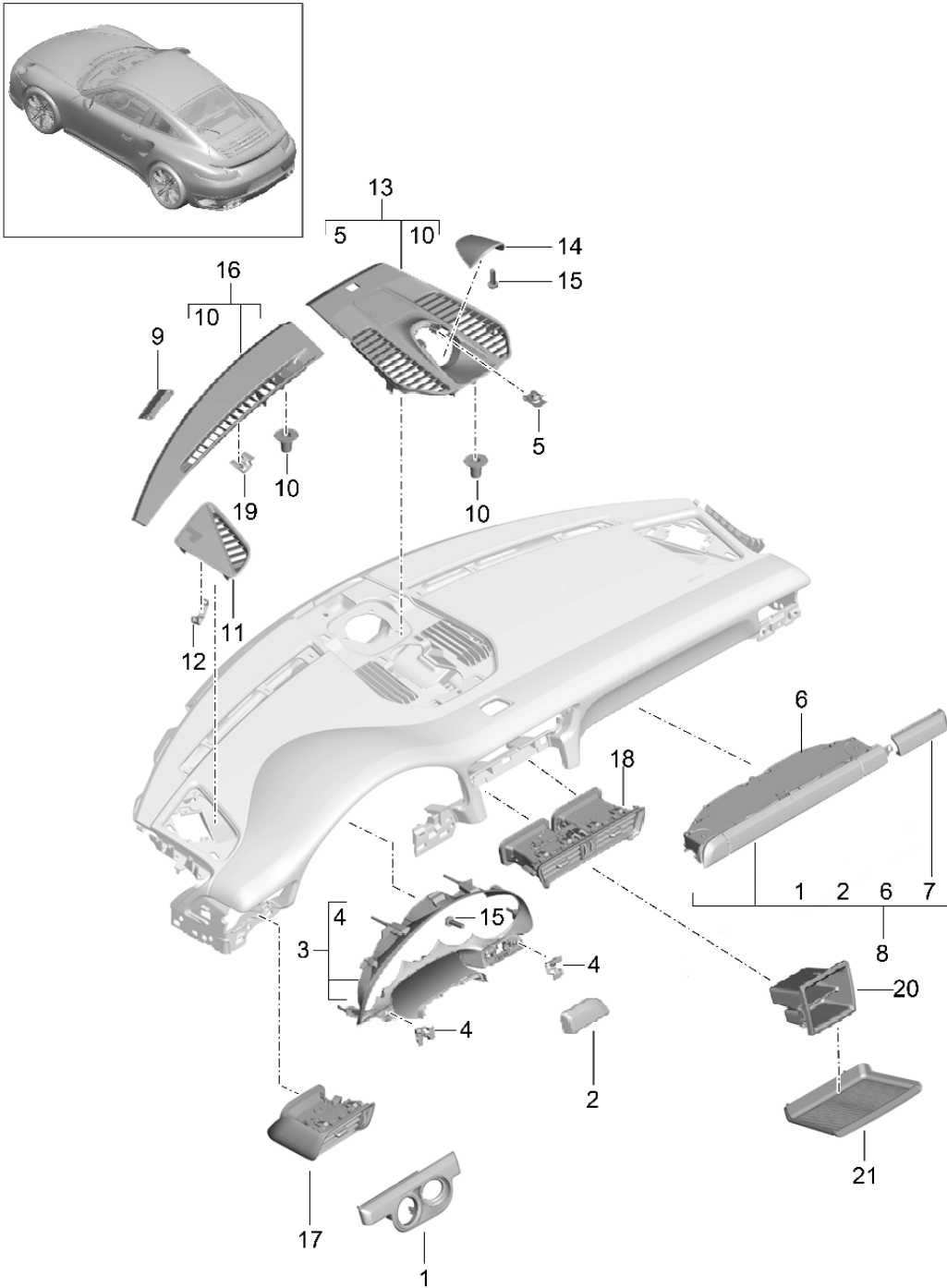
Model life 2014>>

Pos	Part Number	Description	Remark	Qty	Model
	991 552 375 02 6W0	Luxor beige	-UZ		
	991 552 375 02 8Y0	yachting blue	-EZ		
	991 552 375 02 OA6	agate grey	-DK,BV		
	991 552 375 02 3T0	Espresso	-NE,BH		
	991 552 375 02 OE1	Carrera Red	-NG		
(16)	991 552 376 02	Defroster trim Leather	right	1	PR:981
	991 552 376 02 5Q0	Black	-AZ,BR,BL,BA, BQ,99		
	991 552 376 02 4U0	Platinum Grey	-CZ		
	991 552 376 02 6W0	Luxor beige	-UZ		
	991 552 376 02 8Y0	yachting blue	-EZ		
	991 552 376 02 OA6	agate grey	-DK,BV		
	991 552 376 02 3T0	Espresso	-NE,BH		
	991 552 376 02 OE1	Carrera Red	-NG		
17	991 552 131 00	Vent	left	1	
	991 552 131 00 DAP	Galvano silver			
(17)	991 552 132 00	Vent	right	1	
	991 552 132 00 DAP	Galvano silver			
18	991 552 141 00	Centre nozzle		1	
	991 552 141 00 DAP	Galvano silver			
19	999 507 533 02	Clamp Defroster trim		X	



Model: 991T13

Model life 2014>>



Model: 991T13 Model life 2014>>

Pos	Part Number	Description	Remark	Qty	Model
1	991 552 381 03	Accessories Instrument panel trim Upper part D - MJ 2017>> Trim (drivers side)	lhd	1	PR:098,-XDM, -XGB,-XHE, -XVP,-XYD
(1)	991 552 381 03 V08	Lighting Galvano silver			
	991 552 382 03	Trim (drivers side)	rhd	1	PR:099,-XDM, -XGB,-XHE, -XVP,-XYD
2	991 552 382 03 V08	Lighting Galvano silver			
	991 552 383 02	Trim (drivers side)	lhd	1	PR:098,-XDM, -XGB,-XHE, -XVP,-XYD
(2)	991 552 383 02 V08	Lighting Galvano silver			
	991 552 384 02	Trim (drivers side)	rhd	1	PR:099,-XDM, -XGB,-XHE, -XVP,-XYD
3	991 552 384 02 V08	Lighting Galvano silver			
	991 552 525 01	Trim Combi-instrument	lhd	1	PR:098,-XNG
	991 552 525 01 5Q0	Black			-AZ,BT,BM,TD, 43,60,63,68, 78
	991 552 525 01 OA6	agate grey			-FZ
	991 552 525 01 OH7	Graphite Blue			-HZ,BG,TG
	991 552 525 01 OL7	saddle brown			-SZ
	991 552 525 01 6W0	Luxor beige			-UZ
	991 552 525 01 OG6	Bordeaux red			-LZ
	991 552 525 01 3T0	Espresso			-NE,BY
(3)	991 552 526 01	Trim Combi-instrument	rhd	1	PR:099,-XNG
	991 552 526 01 5Q0	Black			-AZ,BT,BM,TD, 43,60,63,68, 78
	991 552 526 01 OA6	agate grey			-FZ
	991 552 526 01 OH7	Graphite Blue			-HZ,BG,TG
	991 552 526 01 OL7	saddle brown			-SZ
	991 552 526 01 6W0	Luxor beige			-UZ
	991 552 526 01 OG6	Bordeaux red			-LZ
	991 552 526 01 3T0	Espresso			-NE,BY
(3)	991 552 978 00	Leather panel Combi-instrument	lhd	1	PR:098,XNG
	991 552 978 00 A11	Black			-AZ,BT,BM,TD, 60
	991 552 978 00 OA1	agate grey			-FZ
	991 552 978 00 OH7	Graphite Blue			-HZ,BG,TG
	991 552 978 00 OK6	saddle brown			-SZ
	991 552 978 00 7J0	Luxor beige			-UZ
	991 552 978 00 OG6	Bordeaux red			-LZ
	991 552 978 00 6J0	Espresso			-NE,BY
(3)	991 552 979 00	Leather panel Combi-instrument	rhd	1	PR:099,XNG
	991 552 979 00 A11	Black			-AZ,BT,BM,TD, 60
	991 552 979 00 OA1	agate grey			-FZ
	991 552 979 00 OH7	Graphite Blue			-HZ,BG,TG
	991 552 979 00 OK6	saddle brown			-SZ
	991 552 979 00 7J0	Luxor beige			-UZ
	991 552 979 00 OG6	Bordeaux red			-LZ

Model: 991T13 Model life 2014>>

Pos	Part Number	Description	Remark	Qty	Model
4	991 552 979 00 6J0	Espresso	-NE, BY		
	999 507 533 02	Clamp		X	
5	999 507 971 01	panel nut		2	
		4,2			
6	991 552 194 05	Drinks holder	lhd	1	PR:098, -XDM, -XGB, -XHE, -XVP, -XYD
	991 552 194 05 V08	Galvano silver			
(6)	991 552 193 05	Drinks holder	rhd	1	PR:099, -XDM, -XGB, -XHE, -XVP, -XYD
	991 552 193 05 V08	Galvano silver			
7	991 552 388 03	Trim (passenger side)	lhd	1	PR:098, -XDM, -XGB, -XHE, -XVP, -XYD
	991 552 388 03 V08	Galvano silver			
(7)	991 552 387 03	Trim (passenger side)	rhd	1	PR:099, -XDM, -XGB, -XHE, -XVP, -XYD
	991 552 387 03 V08	Galvano silver			
8	991 552 980 20	1 set trim strips for vehicle interior Trim	lhd	1	PR:XVP,098
		with:			
	991 552 980 20 A11	Black	-AZ, TD, 43, 63, 68, 78		
	991 552 980 20 OA1	agate grey	-FZ		
	991 552 980 20 OH7	Graphite Blue	-HZ		
	991 552 980 20 OK6	saddle brown	-SZ		
	991 552 980 20 7J0	Luxor beige	-UZ, BT		
	991 552 980 20 OG6	Chalk	-LZ, BM		
	991 552 980 20 OL8	Espresso	-BG, TG		
	991 552 980 20 6J0	Espresso	-NE		
	991 552 980 20 7F0	Cognac	-BY		
8	991 552 981 20	1 set trim strips for vehicle interior Trim	rhd	1	PR:XVP,099
		with:			
	991 552 981 20 A11	Black	-AZ, TD, 43, 63, 68, 78		
	991 552 981 20 OA1	agate grey	-FZ		
	991 552 981 20 OH7	Graphite Blue	-HZ		
	991 552 981 20 OK6	saddle brown	-SZ		
	991 552 981 20 7J0	Luxor beige	-UZ, BT		
	991 552 981 20 OG6	Chalk	-LZ, BM		
	991 552 981 20 OL8	Espresso	-BG, TG		
	991 552 981 20 6J0	Espresso	-NE		
	991 552 981 20 7F0	Cognac	-BY		
(8)	991 552 980 21	1 set trim strips for vehicle interior Trim	lhd	1	PR:XGB,098
		with:			
(8)	991 552 980 21 BX3	Carbon, fine high-gloss			
	991 552 981 21	1 set trim strips for vehicle interior Trim	rhd	1	PR:XGB,099
		with:			
(8)	991 552 981 21 BX3	Carbon, fine high-gloss			
	991 552 980 22	1 set trim strips for vehicle interior Trim	lhd	1	PR:XHE,098
		with:			
	991 552 980 22 S65	mahagoni			

Model: 991T13 Model life 2014>>

Pos	Part Number	Description	Remark	Qty	Model
(8)	991 552 981 22	1 set trim strips for vehicle interior Trim	rhd	1	PR:XHE,099
		with:			
	991 552 981 22 S65	mahagoni			
(8)	991 552 980 23	1 set trim strips for vehicle interior Trim	lhd	1	PR:XYD,098
		with:			
	991 552 980 23 U03	Aluminium, brushed			
(8)	991 552 981 23	1 set trim strips for vehicle interior Trim	rhd	1	PR:XYD,099
		with:			
	991 552 981 23 U03	Aluminium, brushed			
(8)	991 552 980 24	1 set trim strips for vehicle interior Trim	lhd	1	PR:XDM,098
		with:			
	991 552 980 24 041	Black			
	991 552 980 24 M2A	Lava Orange			
	991 552 980 24 84A	guards red (Porsche)			
	991 552 980 24 M3C	Carmine red			
	991 552 980 24 1S1	Racing Yellow			
	991 552 980 24 C9A	white			
	991 552 980 24 M5C	miami blue			
	991 552 980 24 C9X	Jet Black Metallic			
	991 552 980 24 M7S	Achat Grey Metallic			
	991 552 980 24 M5J	Sapphire Blue Metallic			
	991 552 980 24 M8Y	Mahogany Metallic			
	991 552 980 24 M5F	Midnight Blue Metallic			
	991 552 980 24 M5G	Graphite Blue Metallic			
	991 552 980 24 M7Z	GT Silver Metallic			
	991 552 980 24 M7U	Rhodium Silver Metallic			
	991 552 980 24 S9R	Carrara White metallic			
(8)	991 552 981 24	1 set trim strips for vehicle interior Trim	rhd	1	PR:XDM,099
		with:			
	991 552 981 24 041	Black			
	991 552 981 24 M2A	Lava Orange			
	991 552 981 24 84A	guards red (Porsche)			
	991 552 981 24 M3C	Carmine red			
	991 552 981 24 1S1	Racing Yellow			
	991 552 981 24 C9A	white			
	991 552 981 24 M5C	miami blue			
	991 552 981 24 C9X	Jet Black Metallic			
	991 552 981 24 M7S	Achat Grey Metallic			
	991 552 981 24 M5J	Sapphire Blue Metallic			
	991 552 981 24 M8Y	Mahogany Metallic			
	991 552 981 24 M5F	Midnight Blue Metallic			
	991 552 981 24 M5G	Graphite Blue Metallic			
	991 552 981 24 M7Z	GT Silver Metallic			
	991 552 981 24 M7U	Rhodium Silver Metallic			
	991 552 981 24 S9R	Carrara White metallic			
(8)	991 552 980 25	Set Trim	lhd	1	PR:098,028
		with:			
		Drinks holder in your order Chassis number			
	991 552 980 25 OJ3	Carbon copper wire accent			
(8)	991 552 981 25	Set	rhd	1	PR:099,028

Model: 991T13

Model life 2014>>

Pos	Part Number	Description	Remark	Qty	Model
		Trim			
		with:			
		Drinks holder			
		in your order			
		Chassis number			
(8)	991 552 981 25 OJ3	Carbon copper wire accent			
	991 552 980 27	Set	lhd	1	PR:XGB,098,808
		Trim			
		with:			
		Drinks holder			
(8)	991 552 980 27 BX3	Carbon, fine high-gloss			
	991 552 981 27	Set	rhd	1	PR:XGB,099,808
		Trim			
		with:			
		Drinks holder			
9	991 552 981 27 BX3	Carbon, fine high-gloss			
	991 552 711 00	Trim	left	1	
		Defroster			
(9)	991 552 712 00	Trim	right	1	
		Defroster			
10	999 702 559 40	Grommet		X	
		8,5 X 17			
11	991 552 575 00	Loudspeaker trim	left	1	PR:9VL
	991 552 575 00 5Q0	Black	-AZ,BT,BM,TD, 43,60,63,68, 78		
	991 552 575 00 OA6	agate grey	-FZ		
	991 552 575 00 OH7	Graphite Blue	-HZ,BG,TG		
	991 552 575 00 OL7	saddle brown	-SZ		
	991 552 575 00 6W0	Luxor beige	-UZ		
	991 552 575 00 OG6	Bordeaux red	-LZ		
	991 552 575 00 3T0	Espresso	-NE,BY		
(11)	991 552 576 00	Loudspeaker trim	right	1	PR:9VL
		left			
	991 552 576 00 5Q0	Black	-AZ,BT,BM,TD, 43,60,63,68, 78		
	991 552 576 00 OA6	agate grey	-FZ		
	991 552 576 00 OH7	Graphite Blue	-HZ,BG,TG		
	991 552 576 00 OL7	saddle brown	-SZ		
	991 552 576 00 6W0	Luxor beige	-UZ		
	991 552 576 00 OG6	Bordeaux red	-LZ		
	991 552 576 00 3T0	Espresso	-NE,BY		
(11)	991 552 575 01	Loudspeaker trim	left	1	PR:9VJ
	991 552 575 01 5Q0	Black	-AZ,BT,BM,TD, 43,60,63,68, 78		
	991 552 575 01 OA6	agate grey	-FZ		
	991 552 575 01 OH7	Graphite Blue	-HZ,BG,TG		
	991 552 575 01 OL7	saddle brown	-SZ		
	991 552 575 01 6W0	Luxor beige	-UZ		
	991 552 575 01 OG6	Bordeaux red	-LZ		
	991 552 575 01 3T0	Espresso	-NE,BY		
(11)	991 552 576 01	Loudspeaker trim	right	1	PR:9VJ
		left			
	991 552 576 01 5Q0	Black	-AZ,BT,BM,TD		
	991 552 576 01 OA6	agate grey	-FZ,43,60,63, 68,78		
	991 552 576 01 OH7	Graphite Blue	-HZ,BG,TG		
	991 552 576 01 OL7	saddle brown	-SZ		
	991 552 576 01 6W0	Luxor beige	-UZ		
	991 552 576 01 OG6	Bordeaux red	-LZ		
	991 552 576 01 3T0	Espresso	-NE,BY		

Model: 991T13 Model life 2014>>

Pos	Part Number	Description	Remark	Qty	Model
12	991 552 775 00	Retaining bar Treble speaker		2	PR:9VL
13	991 552 151 00	Trim	center	1	PR:QR0
	991 552 151 00 5Q0	Black	-AZ, BT, BM, TD, 43, 60, 63, 68, 78		
	991 552 151 00 OA6	agate grey	-FZ		
	991 552 151 00 OH7	Graphite Blue	-HZ, BG, TG		
	991 552 151 00 OL7	saddle brown	-SZ		
	991 552 151 00 6W0	Luxor beige	-UZ		
	991 552 151 00 OG6	Bordeaux red	-LZ		
	991 552 151 00 3T0	Espresso	-NE, BY		
(13)	991 552 151 02	Trim	center	1	PR:QR5
	991 552 151 02 5Q0	Black	-AZ, BT, BM, TD, 43, 60, 63, 68, 78		
	991 552 151 02 OA6	agate grey	-FZ		
	991 552 151 02 OH7	Graphite Blue	-HZ, BG, TG		
	991 552 151 02 OL7	saddle brown	-SZ		
	991 552 151 02 6W0	Luxor beige	-UZ		
	991 552 151 02 OG6	Bordeaux red	-LZ		
	991 552 151 02 3T0	Espresso	-NE, BY		
14	991 552 557 02	Top half Stopwatch		1	PR:QR5
	991 552 557 02 5Q0	Black	-AZ, BT, BM, TD, 43, 60, 63, 68, 78		
	991 552 557 02 OA6	agate grey	-FZ		
	991 552 557 02 OH7	Graphite Blue	-HZ, BG, TG		
	991 552 557 02 OL7	saddle brown	-SZ		
	991 552 557 02 6W0	Luxor beige	-UZ		
	991 552 557 02 OG6	Bordeaux red	-LZ		
	991 552 557 02 3T0	Espresso	-NE, BY		
15	999 919 167 09	fillister hd. bolt 3,0 X 10 Mount Top half		2	
16	991 552 375 02	Defroster trim Leather	left	1	PR:981
	991 552 375 02 5Q0	Black	-AZ, BT, BM, TD, 60, 63, 68, 78		
	991 552 375 02 OA6	agate grey	-FZ		
	991 552 375 02 OH7	Graphite Blue	-HZ, BG, TG		
	991 552 375 02 OL7	saddle brown	-SZ		
	991 552 375 02 6W0	Luxor beige	-UZ		
	991 552 375 02 OG6	Bordeaux red	-LZ		
	991 552 375 02 3T0	Espresso	-NE, BY		
(16)	991 552 376 02	Defroster trim Leather	right	1	PR:981
	991 552 376 02 5Q0	Black	-AZ, BT, BM, TD, 60, 63, 68, 78		
	991 552 376 02 OA6	agate grey	-FZ		
	991 552 376 02 OH7	Graphite Blue	-HZ, BG, TG		
	991 552 376 02 OL7	saddle brown	-SZ		
	991 552 376 02 6W0	Luxor beige	-UZ		
	991 552 376 02 OG6	Bordeaux red	-LZ		
	991 552 376 02 3T0	Espresso	-NE, BY		
17	991 552 131 00	Vent	left	1	
	991 552 131 00 DAP	Galvano silver			
(17)	991 552 132 00	Vent	right	1	
	991 552 132 00 DAP	Galvano silver			
18	991 552 141 00	Centre nozzle		1	
	991 552 141 00 DAP	Galvano silver			

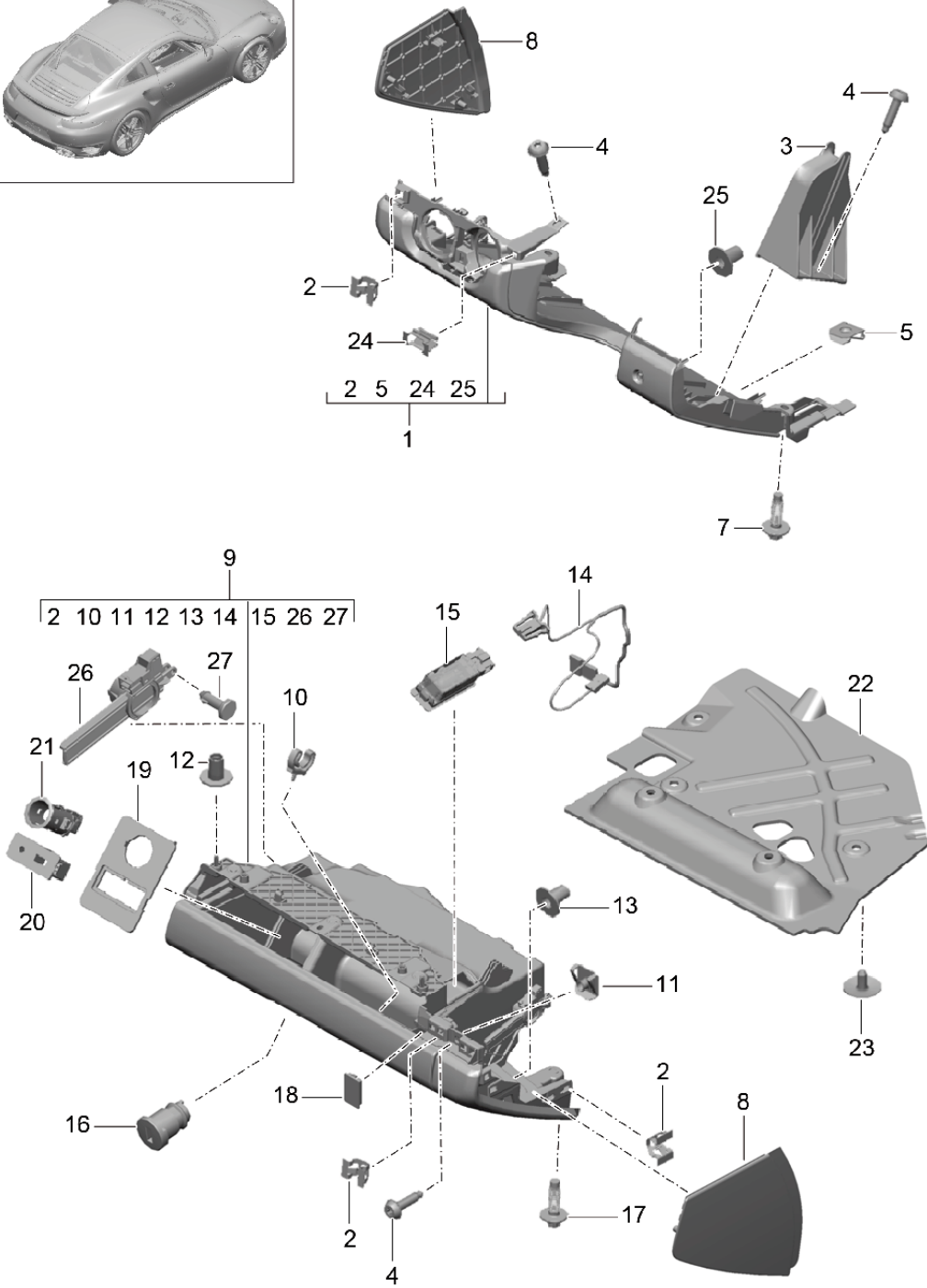
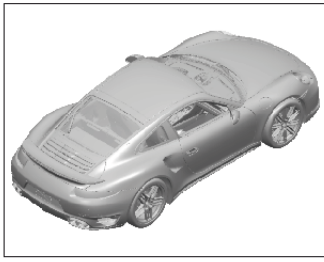
Model: 991T13

Model life 2014>>

Pos	Part Number	Description	Remark	Qty	Model
19	999 507 533 02	Clamp Defroster trim		X	
20	991 552 661 80	Stowage compartment	center	1	PR:8AA
	991 552 661 80 A05	Matt black			
21	987 553 871 00	insert for stowage compartment		1	PR:8AA

Model: 991T13

Model life 2014>>





Model: 991T13 Model life 2014>>

Pos	Part Number	Description	Remark	Qty	Model
(1)	991 552 201 11	Glove box and Trim (drivers side) D >> - MJ 2016 Instrument panel trim Lower part Leather	lhd	1	PR:098,981
	991 552 201 11 A11	Black	-AZ		
	991 552 201 11 9B0	Platinum Grey	-CZ, BR		
	991 552 201 11 7J0	Luxor beige	-UZ, BL		
	991 552 201 11 6A0	yachting blue	-EZ		
	991 552 201 11 OA1	agate grey	-DK		
	991 552 201 11 OD4	flint grey	-BV		
	991 552 201 11 6J0	Espresso	-NE		
(1)	991 552 201 11 N12	Carrera Red	-NG, BA, BQ		
(1)	991 552 202 11	Instrument panel trim Lower part Leather	rhd	1	PR:099,981
	991 552 202 11 A11	Black	-AZ		
	991 552 202 11 9B0	Platinum Grey	-CZ, BR		
	991 552 202 11 7J0	Luxor beige	-UZ, BL		
	991 552 202 11 6A0	yachting blue	-EZ		
	991 552 202 11 OA1	agate grey	-DK		
	991 552 202 11 OD4	flint grey	-BV		
	991 552 202 11 6J0	Espresso	-NE		
	991 552 202 11 N12	Carrera Red	-NG, BA, BQ		
2	999 507 533 02	Clamp		2	
4	999 073 498 01	fillister hd. bolt M5X20		X	
5	999 507 556 01	panel nut M5		2	
7	999 919 278 01	Hexagon head bolt 6X20		2	
8	991 552 405 01	Trim	left	1	
	991 552 405 01 1E0	Black	-AZ, BR, BL, BA, BQ		
	991 552 405 01 6L0	Platinum Grey	-CZ		
	991 552 405 01 4H0	Luxor beige	-UZ		
	991 552 405 01 2F0	yachting blue	-EZ		
	991 552 405 01 OP1	agate grey	-DK, BV		
	991 552 405 01 7N0	Espresso	-NE, BH		
	991 552 405 01 OW5	Carrera Red	-NG		
(8)	991 552 406 01	Trim	right	1	
	991 552 406 01 1E0	Black	-AZ, BR, BL, BA, BQ		
	991 552 406 01 6L0	Platinum Grey	-CZ		
	991 552 406 01 4H0	Luxor beige	-UZ		
	991 552 406 01 2F0	yachting blue	-EZ		
	991 552 406 01 OP1	agate grey	-DK, BV		
	991 552 406 01 7N0	Espresso	-NE, BH		
	991 552 406 01 OW5	Carrera Red	-NG		
(9)	991 552 204 09	Glove box (complete) Leather	lhd	1	PR:098,981
	991 552 204 09 A11	Black	-AZ		
	991 552 204 09 9B0	Platinum Grey	-CZ, BR		
	991 552 204 09 7J0	Luxor beige	-UZ, BL		
	991 552 204 09 6A0	yachting blue	-EZ		
	991 552 204 09 OA1	agate grey	-DK		
	991 552 204 09 OD4	flint grey	-BV		
	991 552 204 09 6J0	Espresso	-NE		

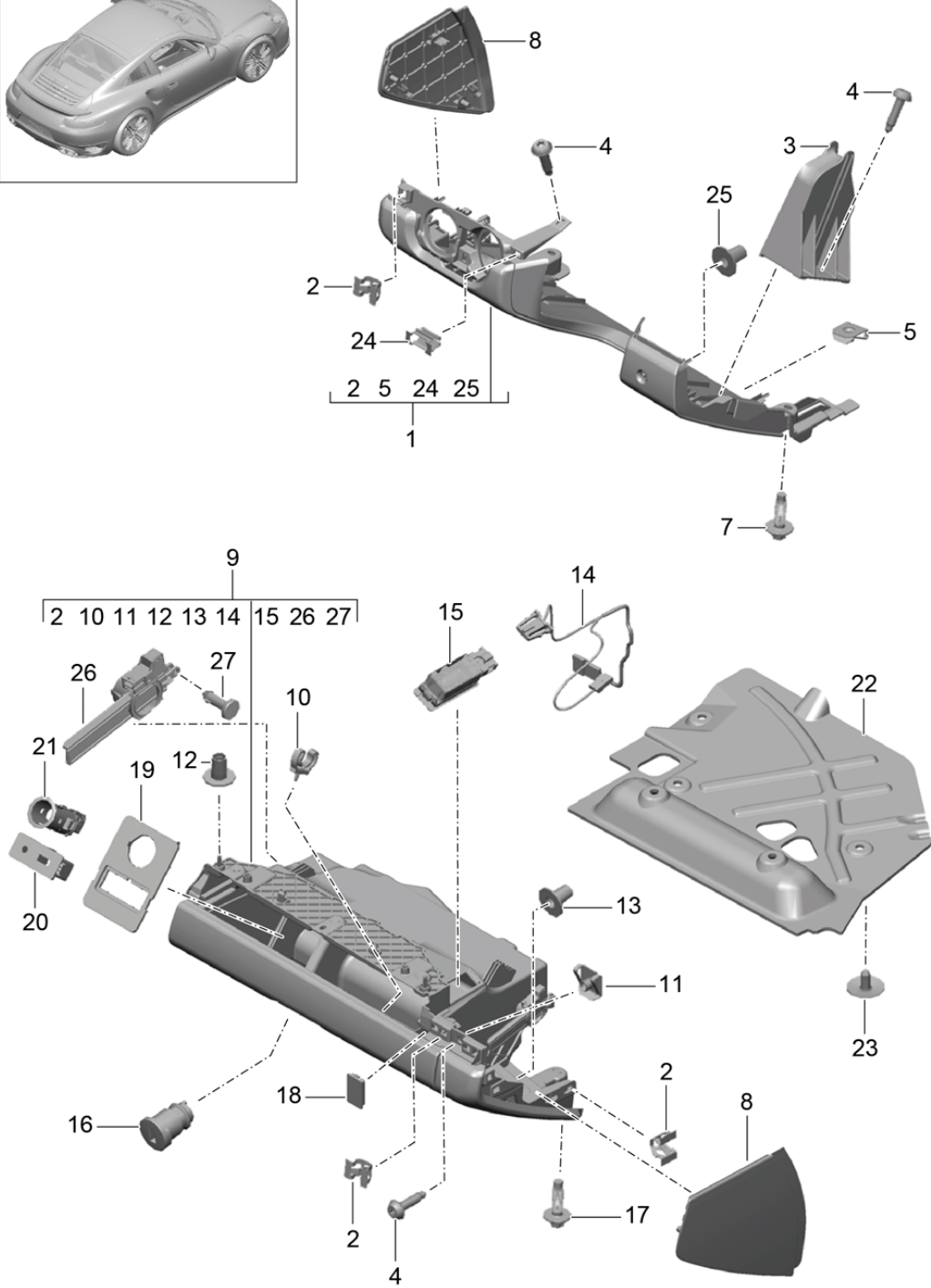
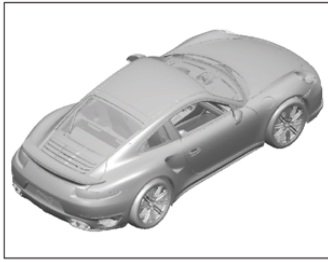
Model: 991T13

Model life 2014>>

Pos	Part Number	Description	Remark	Qty	Model
	991 552 204 09 N12	Carrera Red	-NG,BA,BQ		
	991 552 204 09 7F0	Cognac	-BH		
(9)	991 552 203 09	Glove box (complete) Leather	rhd	1	PR:099,981
	991 552 203 09 A11	Black	-AZ		
	991 552 203 09 9B0	Platinum Grey	-CZ,BR		
	991 552 203 09 7J0	Luxor beige	-UZ,BL		
	991 552 203 09 6A0	yachting blue	-EZ		
	991 552 203 09 OA1	agate grey	-DK		
	991 552 203 09 OD4	flint grey	-BV		
	991 552 203 09 6J0	Espresso	-NE		
	991 552 203 09 N12	Carrera Red	-NG,BA,BQ		
	991 552 203 09 7F0	Cognac	-BH		
10	996 552 813 00	Pen holder		2	
11	999 507 556 01	panel nut M5		1	
12	999 702 560 40	Grommet		X	
13	999 702 559 40	Grommet		X	
14		Wire set Glove box		1	
15		see illustration: Glove box light	902-015	1	
16	996 552 915 01	see illustration: Lock cylinders Glove box Vehicle Ident. No. Indicate	903-004	1	
17	999 919 278 01	Hexagon head bolt 6 X 20		2	
18	991 552 705 00	Dummy cover Switch-off Airbag		1	PR:-899
19	991 552 601 00	Trim Multimedia interface		1	
20	991 552 601 00 1E0	Black Plug socket		1	PR:870,665, 696
21		see illustration: Socket or clamping ring	911-000	1	PR:870
22	991 552 414 00	see illustration: Trim Footwell (passenger side)	903-005	1	PR:098
(22)	991 552 413 00	Trim Footwell (passenger side)	rhd	1	PR:099
23	1H0 819 943	round hd. screw Mount Trim Footwell		X	
24	955 552 107 00	Retaining clip		1	
25	999 702 559 40	Grommet		3	
26	991 552 484 00	Damper Glove box	lhd	1	PR:098
(26)	991 552 483 00	Damper Glove box	rhd	1	PR:099
27	991 552 803 00	Pin Mount Damper		1	

Model: 991T13

Model life 2014>>



Model: 991T13 Model life 2014>>

Pos	Part Number	Description	Remark	Qty	Model
1	991 552 201 15	Glove box and Trim (drivers side) D - MJ 2017>> Instrument panel trim Lower part Leather	lhd	1	PR:098,981
	991 552 201 15 A11	Black	-AZ,TD,60		
	991 552 201 15 OA1	agate grey	-FZ		
	991 552 201 15 OH7	Graphite Blue	-HZ		
	991 552 201 15 OK6	saddle brown	-SZ		
	991 552 201 15 7J0	Luxor beige	-UZ,BT		
	991 552 201 15 OG6	Bordeaux red	-LZ,BM		
	991 552 201 15 OL8	Chalk	-BG,TG		
	991 552 201 15 6J0	Espresso	-NE		
	991 552 201 15 7F0	Cognac	-BY		
(1)	991 552 202 11	Instrument panel trim Lower part Leather	rhd	1	PR:099,981
	991 552 202 11 A11	Black	-AZ,TD,60		
	991 552 202 11 OA1	agate grey	-FZ		
	991 552 202 11 OH7	Graphite Blue	-HZ		
	991 552 202 11 OK6	saddle brown	-SZ		
	991 552 202 11 7J0	Luxor beige	-UZ,BT		
	991 552 202 11 OG6	Bordeaux red	-LZ,BM		
	991 552 202 11 OL8	Chalk	-BG,TG		
	991 552 202 11 6J0	Espresso	-NE		
	991 552 202 11 7F0	Cognac	-BY		
(1)	991 552 201 14	Instrument panel trim Lower part	lhd	1	PR:098,-981
	991 552 201 14 DK4	Black	-43		
(1)	991 552 202 10	Instrument panel trim Lower part	rhd	1	PR:099,-981
	991 552 202 10 DK4	Black	-43		
(1)	991 552 201 93	Instrument panel trim Lower part Alcantara	lhd	1	PR:098,975,981
	991 552 201 93 2W0	Black	-63,68,78		
(1)	991 552 202 91	Instrument panel trim Lower part Alcantara	rhd	1	PR:099,975,981
	991 552 202 91 2W0	Black	-63,68,78		
2	999 507 533 02	Clamp		2	
4	999 073 498 01	fillister hd. bolt M5X20		X	
5	999 507 556 01	panel nut M5		2	
7	999 919 278 01	Hexagon head bolt 6X20		2	
8	991 552 405 02	Trim	left	1	
	991 552 405 02 5Q0	Black	-AZ,BT,BM,TD, 43,60,63,68, 78		
	991 552 405 02 OA6	agate grey	-FZ		
	991 552 405 02 OH7	Graphite Blue	-HZ,BG,TG		
	991 552 405 02 OL7	saddle brown	-SZ		
	991 552 405 02 6W0	Luxor beige	-UZ		
	991 552 405 02 OG6	Bordeaux red	-LZ		
	991 552 405 02 3T0	Espresso	-NE,BY		
(8)	991 552 406 02	Trim	right left	1	
	991 552 406 02 5Q0	Black	-AZ,BT,BM,TD,		

Model: 991T13 Model life 2014>>

Pos	Part Number	Description	Remark	Qty	Model
			43,60,63,68, 78		
	991 552 406 02 OA6	agate grey	-FZ		
	991 552 406 02 OH7	Graphite Blue	-HZ,BG,TG		
	991 552 406 02 OL7	saddle brown	-SZ		
	991 552 406 02 6W0	Luxor beige	-UZ		
	991 552 406 02 OG6	Bordeaux red	-LZ		
	991 552 406 02 3T0	Espresso	-NE,BY		
9	991 552 204 15	Glove box (complete) Leather	lhd	1	PR:098,981
	991 552 204 15 A11	Black	-AZ,TD,60		
	991 552 204 15 OA1	agate grey	-FZ		
	991 552 204 15 OH7	Graphite Blue	-HZ		
	991 552 204 15 OK6	saddle brown	-SZ		
	991 552 204 15 7J0	Luxor beige	-UZ,BT		
	991 552 204 15 OG6	Bordeaux red	-LZ,BM		
	991 552 204 15 OL8	Chalk	-BG,TG		
	991 552 204 15 6J0	Espresso	-NE		
	991 552 204 15 7F0	Cognac	-BY		
(9)	991 552 203 15	Glove box (complete) Leather	rhd	1	PR:099,981
	991 552 203 15 A11	Black	-AZ,TD,60		
	991 552 203 15 OA1	agate grey	-FZ		
	991 552 203 15 OH7	Graphite Blue	-HZ		
	991 552 203 15 OK6	saddle brown	-SZ		
	991 552 203 15 7J0	Luxor beige	-UZ,BT		
	991 552 203 15 OG6	Bordeaux red	-LZ,BM		
	991 552 203 15 OL8	Chalk	-BG,TG		
	991 552 203 15 6J0	Espresso	-NE		
	991 552 203 15 7F0	Cognac	-BY		
(9)	991 552 204 16	Glove box (complete)	lhd	1	PR:098,-981
(9)	991 552 204 16 DK4	Black	-43		
(9)	991 552 203 16	Glove box (complete)	rhd	1	PR:099,-981
(9)	991 552 203 16 DK4	Black	-43		
(9)	991 552 204 95	Glove box (complete) Alcantara	lhd	1	PR:098,975, 981
(9)	991 552 204 95 2W0	Black	-63,68,78		
(9)	991 552 203 95	Glove box (complete) Alcantara	rhd	1	PR:099,975, 981
	991 552 203 95 2W0	Black	-63,68,78		
10	996 552 813 00	Pen holder		2	
11	999 507 556 01	panel nut M5		1	
12	999 702 560 40	Grommet		X	
13	999 702 559 40	Grommet		X	
14		Wire set		1	
		Glove box			
15		see illustration: Glove box light	902-015	1	
16	996 552 915 01	see illustration: Lock cylinders Glove box Vehicle Ident. No. Indicate	903-004	1	
17	999 919 278 01	Hexagon head bolt 6 X 20		2	
18	9P1 857 115	Dummy cover		1	PR:-899

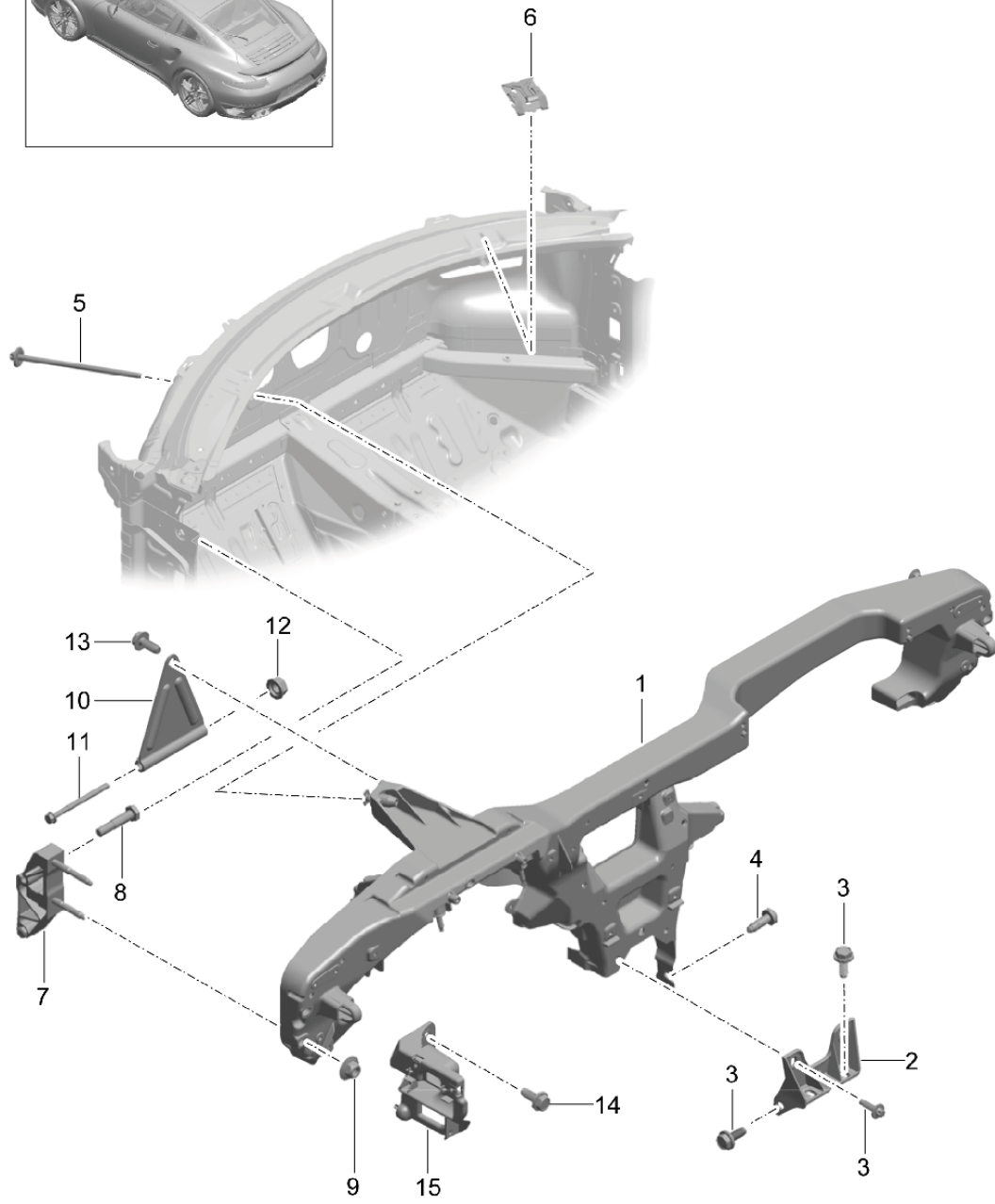
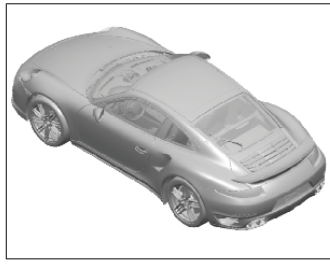
Model: 991T13

Model life 2014>>

Pos	Part Number	Description	Remark	Qty	Model
19	991 552 601 02	Switch-off Airbag Trim		1	
20	991 552 601 02 1E0	Multimedia interface Black Plug socket		1	PR:870,665, 696
21		see illustration: Socket or clamping ring	911-000	1	PR:870
22	991 552 414 00	Trim Footwell (passenger side)	903-005	1	PR:098
(22)	991 552 413 00	Trim Footwell (passenger side)		1	PR:099
23	1H0 819 943	round hd. screw Mount Trim Footwell		X	
24	955 552 107 00	Retaining clip		1	
25	999 702 559 40	Grommet		3	
26	991 552 484 00	Damper Glove box	lhd	1	PR:098
(26)	991 552 483 00	Damper Glove box	rhd	1	PR:099
27	991 552 803 00	Pin Mount Damper		1	

Model: 991T13

Model life 2014>>



Model: 991T13

Model life 2014>>

Pos	Part Number	Description	Remark	Qty	Model
1	991 504 063 00	retaining frame dashboard			
(1)	991 504 063 01	retaining frame	lhd	1	PR:098
2	991 504 615 00	retaining frame	rhd	1	PR:099
		Bracket		1	
		tunnel			
3	999 143 014 01	Hexagon bolt M8X27		5	
4	999 073 138 01	flat round head bolt M8X25		1	
5	999 073 542 01	Bolt with washer M8X195		1	
6	8E0 857 117	Clip dashboard		2	
		Cowl panel			
7	991 504 407 02	Retainer for support frame A-pillar		2	
8	900 919 009 01	Locating bolt M8X45		4	
9	N 907 611 03	Hexagon collar nut self-locking M8		4	
10	991 504 653 01	Support Steering column		1	
11	N 106 366 01	bolt,hex.hd.with shoul.(combi) M8X110X80		1	
12	999 084 630 01	Hexagon nut M8		1	
13	999 143 014 01	Hexagon bolt M8X27		1	
14	999 919 278 01	Hexagon head bolt M6X20		6	
15		Bracket retaining frame		1	
		see illustration:	809-000		





Model: 991T13

Model life 2014&gt;&gt;

Pos	Part Number	Description	Remark	Qty	Model
1	991 553 111 01	Centre console D >> - MJ 2016 Carrier Centre console		1	
	991 553 111 01 PT7	Black	-AZ		
	991 553 111 01 PV9	Platinum Grey	-CZ, BR		
	991 553 111 01 PU8	Luxor beige	-UZ, BL		
	991 553 111 01 OR6	yachting blue	-EZ		
	991 553 111 01 OQ5	agate grey	-DK		
	991 553 111 01 OL1	flint grey	-BV		
	991 553 111 01 OP4	Espresso	-NE		
	991 553 111 01 ON3	Carrera Red	-NG, BA, BQ		
	991 553 111 01 OM2	Cognac	-BH		
2	999 591 145 01	panel nut M 5		8	
3	8T0 853 107	Clip		X	
4	N 105 355 02	Hexagon socket head bolt (combi) M 6 X 30		6	
5	991 553 263 01	Carrier Trim		1	
6	999 507 556 01	panel nut M 5		2	
7	999 073 459 01	fillister hd. bolt M 5 X 16		6	
8	991 553 261 00	Trim for centre console		1	PR: -XHB, -XHG, -XHM, -XYE, -XYG
(8)	991 553 261 00 V08	Galvano silver			
	991 553 981 00	Trim for centre console		1	PR: XYG
	991 553 981 00 041	Black			
	991 553 981 00 84A	guards red (Porsche)			
	991 553 981 00 1S1	Racing Yellow			
	991 553 981 00 C9A	white			
	991 553 981 00 C9Z	Basalt black metallic			
	991 553 981 00 M7S	Achat Grey Metallic			
	991 553 981 00 M8S	Anthracite Brown Metallic			
	991 553 981 00 M8Y	Mahogany Metallic			
	991 553 981 00 8L1	Amaranth Red Metallic			
	991 553 981 00 M5X	Dark blue metallic			
	991 553 981 00 M5J	Sapphire Blue Metallic			
	991 553 981 00 5P1	Lime Gold Metallic			
	991 553 981 00 M7Z	GT Silver Metallic			
	991 553 981 00 M7U	Rhodium Silver Metallic			
(8)	991 553 981 01	Trim for centre console		1	PR: XHB
	991 553 981 01 A11	Black	-AZ, BR, BL, BA, BQ		
	991 553 981 01 9B0	Platinum Grey	-CZ		
	991 553 981 01 7J0	Luxor beige	-UZ		
	991 553 981 01 6A0	yachting blue	-EZ		
	991 553 981 01 OA1	agate grey	-DK, BV		
	991 553 981 01 6J0	Espresso	-NE, BH		
	991 553 981 01 N12	Carrera Red	-NG		
(8)	991 553 981 02	Trim for centre console		1	PR: XHM
	991 553 981 02 BX3	Carbon			
(8)	991 553 981 03	Trim for centre console		1	PR: XHG
	991 553 981 03 S65	mahagoni			
(8)	991 553 981 04	Trim for centre console		1	PR: XYE
	991 553 981 04 U03	aluminium			
9	991 553 141 02	ashtray		1	PR: 583
	991 553 141 02 DML	Matt Black/hi-gloss chrome			
10	991 553 341 01	Ashtray insert		1	PR: 583
	991 553 341 01 1E0	Black			

Model: 991T13 Model life 2014>>

Pos	Part Number	Description	Remark	Qty	Model
11	991 553 143 00	Stowage compartment		1	PR:-583
	991 553 143 00 A05	Black			
12	991 553 233 01	Cover	inner	1	
	991 553 233 01 1E0	Black			
13	991 553 439 00	torsion spring		1	
		Cover			
14	991 553 447 00	axle		1	
		Cover			
15	991 553 231 00	Cover	outer	1	PR:-XHS, -XPT,-XUV
	991 553 231 00 A11	Black	-AZ		
	991 553 231 00 9B0	Platinum Grey	-CZ, BR		
	991 553 231 00 7J0	Luxor beige	-UZ, BL		
	991 553 231 00 6A0	yachting blue	-EZ		
	991 553 231 00 OA1	agate grey	-DK		
	991 553 231 00 OD4	flint grey	-BV		
	991 553 231 00 6J0	Espresso	-NE		
	991 553 231 00 N12	Carrera Red	-NG, BA, BQ		
	991 553 231 00 7F0	Cognac	-BH		
(15)	991 553 982 00	Cover		1	PR:XHS
		with:			
		Decorative stitching			
	991 553 982 00 A11	Black	-AZ		
	991 553 982 00 9B0	Platinum Grey	-CZ, BR		
	991 553 982 00 7J0	Luxor beige	-UZ, BL		
	991 553 982 00 6A0	yachting blue	-EZ		
	991 553 982 00 OA1	agate grey	-DK		
	991 553 982 00 OD4	flint grey	-BV		
	991 553 982 00 6J0	Espresso	-NE		
	991 553 982 00 N12	Carrera Red	-NG, BA, BQ		
	991 553 982 00 7F0	Cognac	-BH		
(15)	991 553 982 01	Cover		1	PR:XPT
		with:			
		Decorative stitching			
	991 553 982 01 A11	Black	-AZ		
	991 553 982 01 9B0	Platinum Grey	-CZ, BR		
	991 553 982 01 7J0	Luxor beige	-UZ, BL		
	991 553 982 01 6A0	yachting blue	-EZ		
	991 553 982 01 OA1	agate grey	-DK		
	991 553 982 01 OD4	flint grey	-BV		
	991 553 982 01 6J0	Espresso	-NE		
	991 553 982 01 N12	Carrera Red	-NG, BA, BQ		
	991 553 982 01 7F0	Cognac	-BH		
(15)	991 553 982 02	Cover		1	PR:XPT, XHS
		with:			
		Porsche crest and Decorative stitching			
	991 553 982 02 A11	Black	-AZ		
	991 553 982 02 9B0	Platinum Grey	-CZ, BR		
	991 553 982 02 7J0	Luxor beige	-UZ, BL		
	991 553 982 02 6A0	yachting blue	-EZ		
	991 553 982 02 OA1	agate grey	-DK		
	991 553 982 02 OD4	flint grey	-BV		
	991 553 982 02 6J0	Espresso	-NE		
	991 553 982 02 N12	Carrera Red	-NG, BA, BQ		
	991 553 982 02 7F0	Cognac	-BH		
(15)	991 553 982 27	Cover	lhd	1	TURBO PR:XUV, 098
		with:			
		inscription			
	991 553 982 27 A11	Black	-AZ		
	991 553 982 27 9B0	Platinum Grey	-CZ, BR		
	991 553 982 27 7J0	Luxor beige	-UZ, BL		

Model: 991T13 Model life 2014>>

Pos	Part Number	Description	Remark	Qty	Model
(15)	991 553 982 27 6A0	yachting blue	-EZ	1	TURBO PR: XHS, XUV, 098
	991 553 982 27 0A1	agate grey	-DK		
	991 553 982 27 0D4	flint grey	-BV		
	991 553 982 27 6J0	Espresso	-NE		
	991 553 982 27 N12	Carrera Red	-NG, BA, BQ		
	991 553 982 27 7F0	Cognac	-BH		
	991 553 982 28	Cover	lhd		
		with:			
		inscription and Decorative stitching			
		991 553 982 28 A11	Black		
	991 553 982 28 9B0	Platinum Grey	-CZ, BR		
	991 553 982 28 7J0	Luxor beige	-UZ, BL		
	991 553 982 28 6A0	yachting blue	-EZ		
	991 553 982 28 0A1	agate grey	-DK		
	991 553 982 28 0D4	flint grey	-BV		
	991 553 982 28 6J0	Espresso	-NE		
	991 553 982 28 N12	Carrera Red	-NG, BA, BQ		
	991 553 982 28 7F0	Cognac	-BH		
(15)	991 553 982 29	Cover	rhd	1	TURBO PR: XUV, 099
	with:				
	inscription without:				
	Decorative stitching				
	991 553 982 29 A11	Black	-AZ		
	991 553 982 29 9B0	Platinum Grey	-CZ, BR		
	991 553 982 29 7J0	Luxor beige	-UZ, BL		
	991 553 982 29 6A0	yachting blue	-EZ		
	991 553 982 29 0A1	agate grey	-DK		
	991 553 982 29 0D4	flint grey	-BV		
	991 553 982 29 6J0	Espresso	-NE		
	991 553 982 29 N12	Carrera Red	-NG, BA, BQ		
	991 553 982 29 7F0	Cognac	-BH		
(15)	991 553 982 30	Cover	rhd	1	TURBO PR: XHS, XUV, 099
	with:				
	inscription and Decorative stitching				
	991 553 982 30 A11	Black	-AZ		
	991 553 982 30 9B0	Platinum Grey	-CZ, BR		
	991 553 982 30 7J0	Luxor beige	-UZ, BL		
	991 553 982 30 6A0	yachting blue	-EZ		
	991 553 982 30 0A1	agate grey	-DK		
	991 553 982 30 0D4	flint grey	-BV		
	991 553 982 30 6J0	Espresso	-NE		
	991 553 982 30 N12	Carrera Red	-NG, BA, BQ		
	991 553 982 30 7F0	Cognac	-BH		
(15)	991 553 982 31	Cover	lhd	1	TURBO S PR: XUV, 092, 098
	with:				
	inscription without:				
	Decorative stitching				
	991 553 982 31 A11	Black	-AZ		
	991 553 982 31 9B0	Platinum Grey	-CZ, BR		
	991 553 982 31 7J0	Luxor beige	-UZ, BL		
	991 553 982 31 6A0	yachting blue	-EZ		
	991 553 982 31 0A1	agate grey	-DK		
	991 553 982 31 0D4	flint grey	-BV		
	991 553 982 31 6J0	Espresso	-NE		
	991 553 982 31 N12	Carrera Red	-NG, BA, BQ		
	991 553 982 31 7F0	Cognac	-BH		
(15)	991 553 982 32	Cover	lhd	1	TURBO S

Model: 991T13

Model life 2014>>

Pos	Part Number	Description	Remark	Qty	Model
		with: inscription and Decorative stitching			PR:XHS,XUV, 092,098
	991 553 982 32 A11	Black	-AZ		
	991 553 982 32 9B0	Platinum Grey	-CZ, BR		
	991 553 982 32 7J0	Luxor beige	-UZ, BL		
	991 553 982 32 6A0	yachting blue	-EZ		
	991 553 982 32 OA1	agate grey	-DK		
	991 553 982 32 OD4	flint grey	-BV		
	991 553 982 32 6J0	Espresso	-NE		
	991 553 982 32 N12	Carrera Red	-NG, BA, BQ		
	991 553 982 32 7F0	Cognac	-BH		
(15)	991 553 982 33	Cover	rhd	1	TURBO S PR:XUV,092, 099
		with: inscription without: Decorative stitching			
	991 553 982 33 A11	Black	-AZ		
	991 553 982 33 9B0	Platinum Grey	-CZ, BR		
	991 553 982 33 7J0	Luxor beige	-UZ, BL		
	991 553 982 33 6A0	yachting blue	-EZ		
	991 553 982 33 OA1	agate grey	-DK		
	991 553 982 33 OD4	flint grey	-BV		
	991 553 982 33 6J0	Espresso	-NE		
	991 553 982 33 N12	Carrera Red	-NG, BA, BQ		
	991 553 982 33 7F0	Cognac	-BH		
(15)	991 553 982 34	Cover	rhd	1	TURBO S PR:XHS,XUV, 092,099
		with: inscription and Decorative stitching			
	991 553 982 34 A11	Black	-AZ		
	991 553 982 34 9B0	Platinum Grey	-CZ, BR		
	991 553 982 34 7J0	Luxor beige	-UZ, BL		
	991 553 982 34 6A0	yachting blue	-EZ		
	991 553 982 34 OA1	agate grey	-DK		
	991 553 982 34 OD4	flint grey	-BV		
	991 553 982 34 6J0	Espresso	-NE		
	991 553 982 34 N12	Carrera Red	-NG, BA, BQ		
	991 553 982 34 7F0	Cognac	-BH		
16	999 507 274 01	panel nut M 5		8	
17	999 073 459 01	fillister hd. bolt M 5 X 16		8	
18	991 553 253 00	Cover panel Centre console	rear	1	
	991 553 253 00 1E0	Black			
19	991 553 611 00	Insert Stowage compartment		1	
(19)	991 553 611 01	Insert Stowage compartment		1	PR:669
20		Support Telephone		1	PR:669
21		see illustration: countersunk bolt 3,0 X 10	911-010	2	PR:669
22		see illustration: Bungs	911-010	1	PR:669
23	991 553 245 03	see illustration: Cover - PDK -	911-010	1	PR:250
	991 553 245 03 DRZ	Black/Galvano Silver			

Model: 991T13 Model life 2014>>

Pos	Part Number	Description	Remark	Qty	Model
26	991 553 131 01	Leather panel Centre console Discontinued part	left	1	PR:981
	991 553 131 01 A11	Black	-AZ, BR, BL, BA, BQ		
	991 553 131 01 9B0	Platinum Grey	-CZ		
	991 553 131 01 7J0	Luxor beige	-UZ		
	991 553 131 01 6A0	yachting blue	-EZ		
	991 553 131 01 OA1	agate grey	-DK, BV		
	991 553 131 01 6J0	Espresso	-NE, BH		
	991 553 131 01 N12	Carrera Red	-NG		
(26)	991 553 131 03	Leather panel Centre console modify in workshop	left	1	PR:981
	991 553 131 03 A11	Black	-AZ, BR, BL, BA, BQ		
	991 553 131 03 9B0	Platinum Grey	-CZ		
	991 553 131 03 7J0	Luxor beige	-UZ		
	991 553 131 03 6A0	yachting blue	-EZ		
	991 553 131 03 OA1	agate grey	-DK, BV		
	991 553 131 03 6J0	Espresso	-NE, BH		
	991 553 131 03 N12	Carrera Red	-NG		
26	991 553 132 01	Leather panel Centre console Discontinued part	right	1	PR:981
	991 553 132 01 A11	Black	-AZ, BR, BL, BA, BQ		
	991 553 132 01 9B0	Platinum Grey	-CZ		
	991 553 132 01 7J0	Luxor beige	-UZ		
	991 553 132 01 6A0	yachting blue	-EZ		
	991 553 132 01 OA1	agate grey	-DK, BV		
	991 553 132 01 6J0	Espresso	-NE, BH		
	991 553 132 01 N12	Carrera Red	-NG		
(26)	991 553 132 03	Leather panel Centre console modify in workshop	right	1	PR:981
	991 553 132 03 A11	Black	-AZ, BR, BL, BA, BQ		
	991 553 132 03 9B0	Platinum Grey	-CZ		
	991 553 132 03 7J0	Luxor beige	-UZ		
	991 553 132 03 6A0	yachting blue	-EZ		
	991 553 132 03 OA1	agate grey	-DK, BV		
	991 553 132 03 6J0	Espresso	-NE, BH		
	991 553 132 03 N12	Carrera Red	-NG		
27	991 553 823 00	Rubber ply		2	
28	999 702 299 40	Grommet 6,5 X 8,5 X 1,0		2	
29	991 553 151 04	Cover panel Footwell outlet vent	left lhd	1	PR:098
	991 553 151 04 1E0	Black	-AZ		
	991 553 151 04 6L0	Platinum Grey	-CZ, BR		
	991 553 151 04 4H0	Luxor beige	-UZ, BL		
	991 553 151 04 2F0	yachting blue	-EZ		
	991 553 151 04 OP1	agate grey	-DK		
	991 553 151 04 OV4	flint grey	-BV		
	991 553 151 04 7N0	Espresso	-NE		
	991 553 151 04 OW5	Carrera Red	-NG, BA, BQ		
	991 553 151 04 8P0	Cognac	-BH		
(29)	991 553 152 05	Cover panel Footwell outlet vent	right lhd	1	PR:098
	991 553 152 05 1E0	Black	-AZ		
	991 553 152 05 6L0	Platinum Grey	-CZ, BR		
	991 553 152 05 4H0	Luxor beige	-UZ, BL		

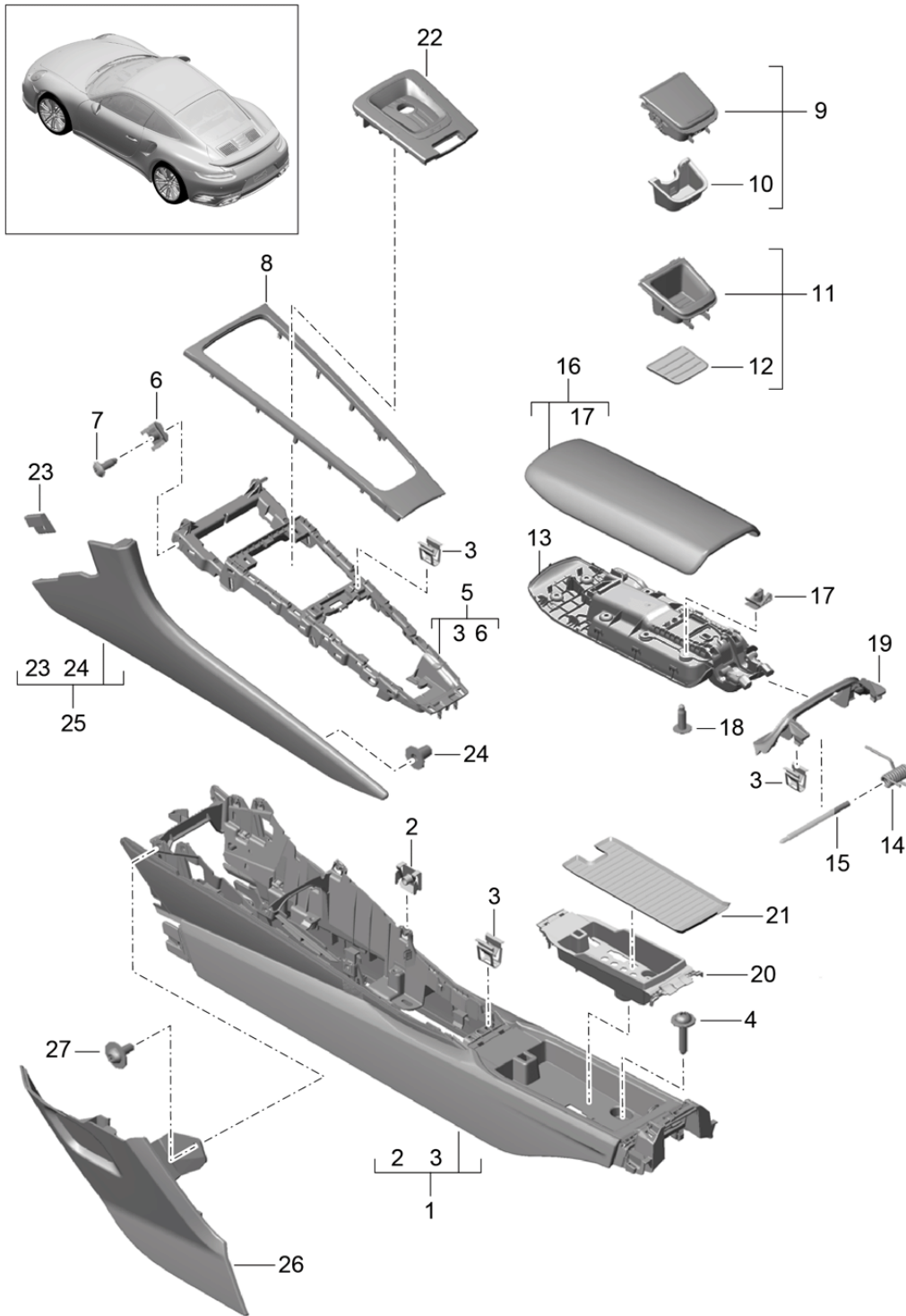
Model: 991T13

Model life 2014>>

Pos	Part Number	Description	Remark	Qty	Model
	991 553 152 05 2F0	yachting blue	-EZ		
	991 553 152 05 OP1	agate grey	-DK		
	991 553 152 05 OV4	flint grey	-BV		
	991 553 152 05 7N0	Espresso	-NE		
	991 553 152 05 OW5	Carrera Red	-NG,BA,BQ		
	991 553 152 05 8P0	Cognac	-BH		
(29)	991 553 151 05	Cover panel	right rhd	1	PR:099
		Footwell outlet vent			
	991 553 151 05 1E0	Black	-AZ		
	991 553 151 05 6L0	Platinum Grey	-CZ,BR		
	991 553 151 05 4H0	Luxor beige	-UZ,BL		
	991 553 151 05 2F0	yachting blue	-EZ		
	991 553 151 05 OP1	agate grey	-DK		
	991 553 151 05 OV4	flint grey	-BV		
	991 553 151 05 7N0	Espresso	-NE		
	991 553 151 05 OW5	Carrera Red	-NG,BA,BQ		
	991 553 151 05 8P0	Cognac	-BH		
(29)	991 553 152 04	Cover panel	right rhd	1	PR:099
		Footwell outlet vent			
	991 553 152 04 1E0	Black	-AZ		
	991 553 152 04 6L0	Platinum Grey	-CZ,BR		
	991 553 152 04 4H0	Luxor beige	-UZ,BL		
	991 553 152 04 2F0	yachting blue	-EZ		
	991 553 152 04 OP1	agate grey	-DK		
	991 553 152 04 OV4	flint grey	-BV		
	991 553 152 04 7N0	Espresso	-NE		
	991 553 152 04 OW5	Carrera Red	-NG,BA,BQ		
	991 553 152 04 8P0	Cognac	-BH		
30	999 073 295 A2	fillister hd. bolt M 5 X 12		2	

Model: 991T13

Model life 2014>>





Model: 991T13

Model life 2014>>

Pos	Part Number	Description	Remark	Qty	Model
1	9P1 858 186	Centre console D - MJ 2017>> Carrier		1	PR: -XZM
	9P1 858 186 PT7	Centre console Black	-AZ,TD,43,63, 68,78		
	9P1 858 186 OQ7	agate grey	-FZ		
	9P1 858 186 OH7	Graphite Blue	-HZ		
	9P1 858 186 CH6	saddle brown	-SZ		
	9P1 858 186 PU8	Luxor beige	-UZ,BT		
	9P1 858 186 OG6	Bordeaux red	-LZ,BM		
	9P1 858 186 OL8	Chalk	-BG,TG		
	9P1 858 186 OP4	Espresso	-NE		
	9P1 858 186 OM2	Cognac	-BY		
(1)	9P1 858 186 A	Carrier		1	PR: XZM
		Centre console			
	9P1 858 186 A A11	Black	-AZ,60,TD		
	9P1 858 186 A OA1	agate grey	-FZ		
	9P1 858 186 A OH7	Graphite Blue	-HZ		
	9P1 858 186 A OK6	saddle brown	-SZ		
	9P1 858 186 A OG6	Bordeaux red	-LZ,BM		
	9P1 858 186 A 7J0	Luxor beige	-BT		
	9P1 858 186 A OL8	Chalk	-BG,TG		
	9P1 858 186 A 6J0	Espresso	-NE		
	9P1 858 186 A 7F0	Cognac	-BY		
2	999 591 145 01	panel nut M 5		8	
3	8T0 853 107	Clip		X	
4	N 105 355 02	Hexagon socket head bolt (combi) M 6 X 30		6	
5	991 553 263 01	Carrier		1	
		Trim			
6	999 507 556 01	panel nut M 5		2	
7	999 073 459 01	fillister hd. bolt M 5 X 16		6	
8	991 553 261 00	Trim for centre console		1	PR: -XHB, -XHG, -XHM, -XYE, -XYG
	991 553 261 00 V08	Galvano silver			
(8)	991 553 981 00	Trim for centre console	Painted	1	PR: XYG
	991 553 981 00 041	Black			
	991 553 981 00 C9A	white			
	991 553 981 00 1S1	Racing Yellow			
	991 553 981 00 84A	guards red (Porsche)			
	991 553 981 00 C9X	Jet Black Metallic			
	991 553 981 00 M7U	Rhodium Silver Metallic			
	991 553 981 00 M5J	Sapphire Blue Metallic			
	991 553 981 00 M7S	Achat Grey Metallic			
	991 553 981 00 M5G	Graphite Blue Metallic			
	991 553 981 00 S9R	Carrara White metallic			
	991 553 981 00 M5F	Midnight Blue Metallic			
	991 553 981 00 M7Z	GT Silver Metallic			
	991 553 981 00 M2A	Lava Orange			
	991 553 981 00 M5C	miami blue			
	991 553 981 00 M3C	Carmine red			
(8)	991 553 981 01	Trim for centre console		1	PR: XHB
		Leather			
	991 553 981 01 A11	Black	-AZ,BT,BM,TD		
	991 553 981 01 OA1	agate grey	-FZ		
	991 553 981 01 OH7	Graphite Blue	-HZ,BG,TG		

Model: 991T13

Model life 2014>>

Pos	Part Number	Description	Remark	Qty	Model
	991 553 981 01 OK6	saddle brown	-SZ		
	991 553 981 01 7J0	Luxor beige	-UZ		
	991 553 981 01 OG6	Bordeaux red	-LZ		
	991 553 981 01 6J0	Espresso	-NE, BY		
(8)	991 553 981 02	Trim for centre console		1	PR: XHM
	991 553 981 02 BX3	Carbon			
(8)	991 553 981 03	Trim for centre console		1	PR: XHG
	991 553 981 03 S65	mahagoni			
(8)	991 553 981 04	Trim for centre console		1	PR: XYE
	991 553 981 04 U03	aluminium			
(8)	991 553 981 05	Trim for centre console		1	PR: 028
	991 553 981 05 OJ3	Carbon copper wire accent			
9	991 553 141 02	ashtray		1	PR: 583
	991 553 141 02 DML	Matt Black/hi-gloss chrome			
10	991 553 341 01	Ashtray insert		1	PR: 583
	991 553 341 01 1E0	Black			
11	991 553 143 00	Stowage compartment		1	PR: -583
	991 553 143 00 A05	Black			
12	991 553 625 00	Insert		1	PR: -583
		Stowage compartment			
13	9P1 857 479	Cover for stowage compartment	inner	1	
	9P1 857 479 1E0	Black			
14	9P1 858 989	torsion spring		1	
		Cover			
15	991 553 447 00	axle		1	
		Cover			
16	9P1 857 151	Cover	outer	1	PR: -XLG, -XLJ, -XPT, -XUV
		with:			
		Decorative stitching			
	9P1 857 151 A11	Black	-AZ		
	9P1 857 151 OA1	agate grey	-FZ		
	9P1 857 151 OH7	Graphite Blue	-HZ		
	9P1 857 151 OK6	saddle brown	-SZ		
	9P1 857 151 7J0	Luxor beige	-UZ, BT		
	9P1 857 151 OG6	Bordeaux red	-LZ, BM		
	9P1 857 151 OL8	Chalk	-BG, TG		
	9P1 857 151 JHB	Black/Dark Silver	-TD		
	9P1 857 151 6J0	Espresso	-NE		
	9P1 857 151 7F0	Cognac	-BY		
	9P1 857 151 HJM	Black/Gold-yellow	-60		
(16)	9P1 857 151 B	Cover		1	PR: XPT
		with:			
		Porsche crest and Decorative stitching			
	9P1 857 151 B A11	Black	-AZ		
	9P1 857 151 B OA1	agate grey	-FZ		
	9P1 857 151 B OH7	Graphite Blue	-HZ		
	9P1 857 151 B OK6	saddle brown	-SZ		
	9P1 857 151 B 7J0	Luxor beige	-UZ, BT		
	9P1 857 151 B OG6	Bordeaux red	-LZ, BM		
	9P1 857 151 B OL8	Chalk	-BG, TG		
	9P1 857 151 B JHB	Black/Dark Silver	-TD		
	9P1 857 151 B 6J0	Espresso	-NE		
	9P1 857 151 B 7F0	Cognac	-BY		
(16)	9P1 857 151 AB	Cover	lhd	1	TURBO PR: XUV, 098, -092
		with:			
		inscription and Decorative stitching			
	9P1 857 151 AB A11	Black	-AZ		
	9P1 857 151 AB OA1	agate grey	-FZ		

Model: 991T13 Model life 2014>>

Pos	Part Number	Description	Remark	Qty	Model			
(16)	9P1 857 151 AB OH7	Graphite Blue	-HZ	1	TURBO PR:XUV,099, -092			
	9P1 857 151 AB OK6	saddle brown	-SZ					
	9P1 857 151 AB 7J0	Luxor beige	-UZ,BT					
	9P1 857 151 AB OG6	Bordeaux red	-LZ,BM					
	9P1 857 151 AB OL8	Chalk	-BG,TG					
	9P1 857 151 AB JHB	Black/Dark Silver	-TD					
	9P1 857 151 AB 6J0	Espresso	-NE					
	9P1 857 151 AB 7F0	Cognac	-BY					
	9P1 857 151 AC	Cover	rhd					
		with:						
		inscription						
		and						
		Decorative stitching						
	9P1 857 151 AC A11	Black	-AZ					
	9P1 857 151 AC OA1	agate grey	-FZ					
	(16)	9P1 857 151 AC OH7	Graphite Blue			-HZ	1	TURBO S PR:XUV,092, 098
9P1 857 151 AC OK6		saddle brown	-SZ					
9P1 857 151 AC 7J0		Luxor beige	-UZ,BT					
9P1 857 151 AC OG6		Bordeaux red	-LZ,BM					
9P1 857 151 AC OL8		Chalk	-BG,TG					
9P1 857 151 AC JHB		Black/Dark Silver	-TD					
9P1 857 151 AC 6J0		Espresso	-NE					
9P1 857 151 AC 7F0		Cognac	-BY					
9P1 857 151 AD		Cover	lhd					
		with:						
		inscription						
		and						
		Decorative stitching						
9P1 857 151 AD A11		Black	-AZ					
9P1 857 151 AD OA1		agate grey	-FZ					
(16)		9P1 857 151 AD OH7	Graphite Blue	-HZ	1	TURBO S PR:XUV,092, 099		
	9P1 857 151 AD OK6	saddle brown	-SZ					
	9P1 857 151 AD 7J0	Luxor beige	-UZ,BT					
	9P1 857 151 AD OG6	Bordeaux red	-LZ,BM					
	9P1 857 151 AD OL8	Chalk	-BG,TG					
	9P1 857 151 AD JHB	Black/Dark Silver	-TD					
	9P1 857 151 AD 6J0	Espresso	-NE					
	9P1 857 151 AD 7F0	Cognac	-BY					
	9P1 857 151 AE	Cover	rhd					
		with:						
		inscription						
		and						
		Decorative stitching						
	9P1 857 151 AE A11	Black	-AZ					
	9P1 857 151 AE OA1	agate grey	-FZ					
	(16)	9P1 857 151 AE OH7	Graphite Blue	-HZ			1	PR:975
9P1 857 151 AE OK6		saddle brown	-SZ					
9P1 857 151 AE 7J0		Luxor beige	-UZ,BT					
9P1 857 151 AE OG6		Bordeaux red	-LZ,BM					
9P1 857 151 AE OL8		Chalk	-BG,TG					
9P1 857 151 AE JHB		Black/Dark Silver	-TD					
9P1 857 151 AE 6J0		Espresso	-NE					
9P1 857 151 AE 7F0		Cognac	-BY					
9P1 857 151 A		Cover						
9P1 857 151 A RCD		Black/Guards Red	-43,63					
9P1 857 151 A RAJ		Black/Guards Red	-68					
9P1 857 151 A RAI		Black/Platinum Grey	-78					
17		999 507 274 02	panel nut M 5		8			
18		999 073 459 01	fillister hd. bolt M 5 X 16		8			
19		991 553 253 00	Cover panel Centre console	rear	1			

Model: 991T13 Model life 2014>>

Pos	Part Number	Description	Remark	Qty	Model
20	991 553 253 00 1E0 9P1 858 331	Black Stowage compartment Centre console		1	
21	9P1 858 331 1E0 9P1 857 130	Black Insert Stowage compartment		1	
22	9P1 858 401	Cover - PDK -		1	PR:250
(22)	9P1 858 401 DRZ 9P1 858 401 F	Black/Galvano Silver Cover - PDK -		1	PR:250,028
(22)	9P1 858 401 F DRZ 991 553 245 80	Black/Galvano Silver Cover - PDK -	GT2RS	1	PR:250
	991 553 245 80 DRZ	Black/Galvano Silver			
23	991 553 245 80 RBW	Black/Guards Red			
24	991 553 823 00	Rubber ply		2	
24	999 702 299 40	Grommet 6,5 X 8,5 X 1,0		2	
25	991 553 131 03	Leather panel Centre console	left	1	PR:981
	991 553 131 03 A11	Black	-AZ,BT,BM,TD, 60,43,63,68, 78		
	991 553 131 03 OA1	agate grey	-FZ		
	991 553 131 03 OH7	Graphite Blue	-HZ,BG,TG		
	991 553 131 03 OK6	saddle brown	-SZ		
	991 553 131 03 7J0	Luxor beige	-UZ		
	991 553 131 03 OG6	Bordeaux red	-LZ		
	991 553 131 03 6J0	Espresso	-NE,BY		
(25)	991 553 132 03	Leather panel Centre console	right	1	PR:981
	991 553 132 03 A11	Black	-AZ,BT,BM,TD, 60,43,63,68, 78		
	991 553 132 03 OA1	agate grey	-FZ		
	991 553 132 03 OH7	Graphite Blue	-HZ,BG,TG		
	991 553 132 03 OK6	saddle brown	-SZ		
	991 553 132 03 7J0	Luxor beige	-UZ		
	991 553 132 03 OG6	Bordeaux red	-LZ		
	991 553 132 03 6J0	Espresso	-NE,BY		
(25)	991 553 131 02	Trim for centre console slush technology	left	1	PR:-981
(25)	991 553 131 02 DK4 991 553 132 02	Black Trim for centre console slush technology	right	1	PR:-981
26	991 553 132 02 DK4 991 553 151 04	Black Cover panel Footwell outlet vent	left	1	PR:098
		Hole without:			
	991 553 151 04 1E0	Black	-AZ,TD,43,63, 68,60,78		
	991 553 151 04 OP1	agate grey	-FZ		
	991 553 151 04 OH7	Graphite Blue	-HZ		
	991 553 151 04 OM8	saddle brown	-SZ		
	991 553 151 04 4H0	Luxor beige	-UZ,BT		
	991 553 151 04 OG6	Bordeaux red	-LZ,BM		
	991 553 151 04 OL8	Chalk	-BG,TG		
	991 553 151 04 7N0	Espresso	-NE		
	991 553 151 04 8P0	Cognac	-BY		
(26)	991 553 152 04	Cover panel Footwell outlet vent	right	1	PR:099

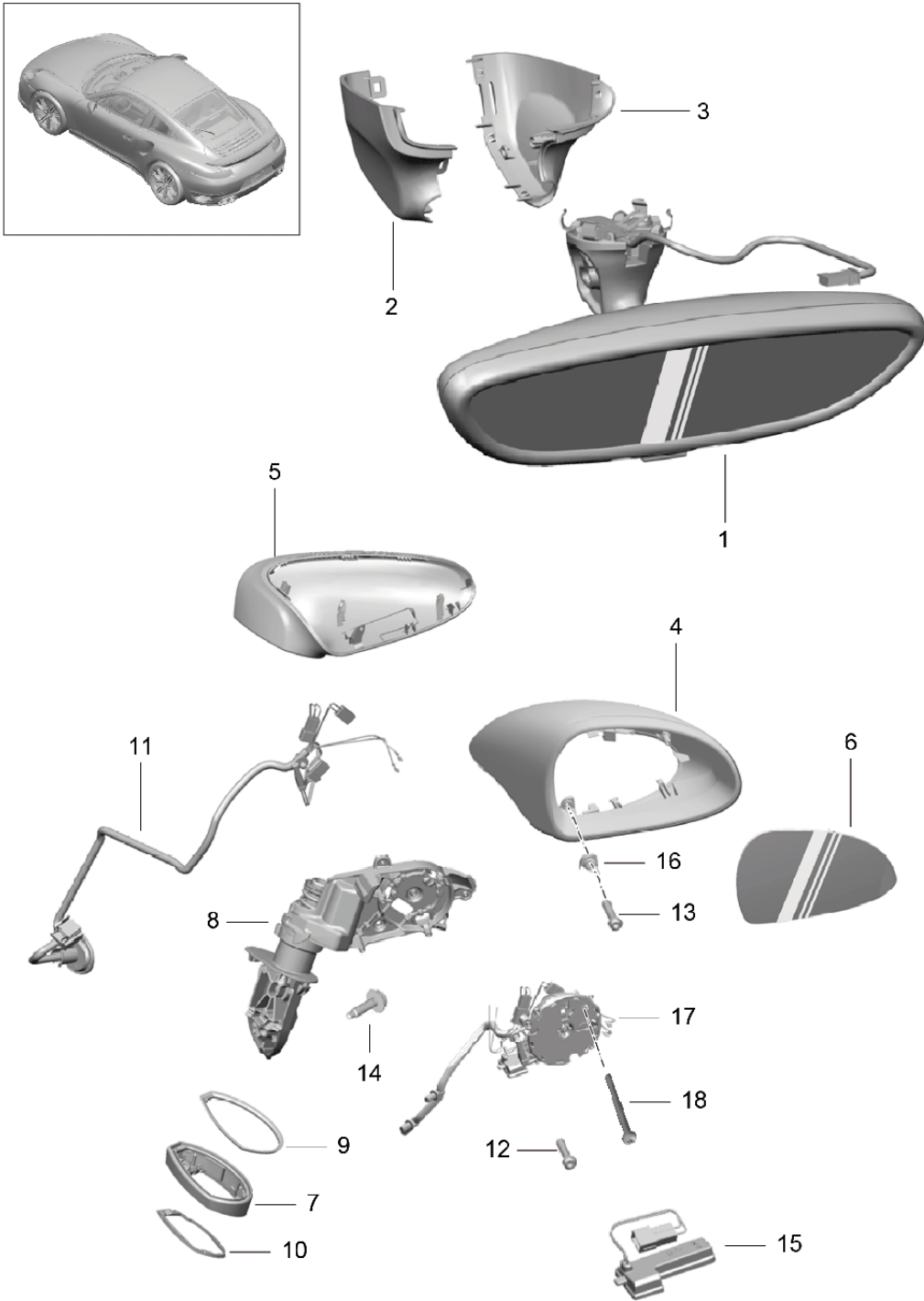
Model: 991T13

Model life 2014>>

Pos	Part Number	Description	Remark	Qty	Model
		without:			
	991 553 152 04 1E0	Hole Black	-AZ,TD,43,63, 68,60,78		
	991 553 152 04 OP1	agate grey	-FZ		
	991 553 152 04 OH7	Graphite Blue	-HZ		
	991 553 152 04 OM8	saddle brown	-SZ		
	991 553 152 04 4H0	Luxor beige	-UZ,BT		
	991 553 152 04 OG6	Bordeaux red	-LZ,BM		
	991 553 152 04 OL8	Chalk	-BG,TG		
	991 553 152 04 7N0	Espresso	-NE		
	991 553 152 04 8P0	Cognac	-BY		
(26)	991 553 152 05	Cover panel Footwell outlet vent	right	1	PR:098
		with:			
	991 553 152 05 1E0	Hole Black	-AZ,TD,43,63, 68,60,78		
	991 553 152 05 OP1	agate grey	-FZ		
	991 553 152 05 OH7	Graphite Blue	-HZ		
	991 553 152 05 OM8	saddle brown	-SZ		
	991 553 152 05 4H0	Luxor beige	-UZ,BT		
	991 553 152 05 OG6	Bordeaux red	-LZ,BM		
	991 553 152 05 OL8	Chalk	-BG,TG		
	991 553 152 05 7N0	Espresso	-NE		
	991 553 152 05 8P0	Cognac	-BY		
(26)	991 553 151 05	Cover panel Footwell outlet vent	left	1	PR:099
		with:			
	991 553 151 05 1E0	Hole Black	-AZ,TD,43,63, 68,60,78		
	991 553 151 05 OP1	agate grey	-FZ		
	991 553 151 05 OH7	Graphite Blue	-HZ		
	991 553 151 05 OM8	saddle brown	-SZ		
	991 553 151 05 4H0	Luxor beige	-UZ,BT		
	991 553 151 05 OG6	Bordeaux red	-LZ,BM		
	991 553 151 05 OL8	Chalk	-BG,TG		
	991 553 151 05 7N0	Espresso	-NE		
	991 553 151 05 8P0	Cognac	-BY		
27	999 073 295 A2	fillister hd. bolt M 5 X 12		2	

Model: 991T13

Model life 2014>>



Model: 991T13 Model life 2014>>

Pos	Part Number	Description	Remark	Qty	Model
		Interior mirror			PR:528
		Exterior mirror			
		D >> - MJ 2016			
1	991 731 511 01	Interior mirror		1	PR:275
	991 731 511 01 1E0	Black			
1	991 731 511 02	Interior mirror		1	PR:276
	991 731 511 02 1E0	Black			
2	991 731 811 01	Cover	left	1	
		Interior mirror			
		Mirror base			
	991 731 811 01 1E0	Black			
3	991 731 812 01	Cover	right	1	
		Interior mirror			
		Mirror base			
	991 731 812 01 1E0	Black			
4	991 731 619 00	Exterior mirror housing	left lhd	1	PR:098
	991 731 619 00 G2L	primed			
(4)	991 731 620 00	Exterior mirror housing	right lhd	1	PR:098
	991 731 620 00 G2L	primed			
(4)	991 731 619 01	Exterior mirror housing	left rhd	1	PR:099
	991 731 619 01 G2L	primed			
(4)	991 731 620 01	Exterior mirror housing	right rhd	1	PR:099
	991 731 620 01 G2L	primed			
5	991 731 719 04	Trim	left lower	1	PR:260,261
	991 731 719 04 1E0	Black			
5	991 731 719 06	Trim	left lower	1	PR:260,261
	991 731 719 06 G2X	primed			
(5)	991 731 720 04	Trim	right lower	1	PR:260,261
	991 731 720 04 1E0	Black			
(5)	991 731 720 06	Trim	right lower	1	PR:260,261
	991 731 720 06 G2X	primed			
(5)	991 731 719 05	Trim	left lower	1	PR:256,257
	991 731 719 05 1E0	Black			
(5)	991 731 719 07	Trim	left lower	1	PR:256,257
	991 731 719 07 G2X	primed			
(5)	991 731 720 05	Trim	right lower	1	PR:256,257
	991 731 720 05 1E0	Black			
(5)	991 731 720 07	Trim	right lower	1	PR:256,257
	991 731 720 07 G2X	primed			
6	991 731 035 00	Mirror glass (flat)	left lhd	1	PR:256,257, 260,261,263, 528,098
(6)	991 731 035 04	Mirror glass (flat)	left lhd	1	PR:256,257, 260,261,263, 098
(6)	991 731 035 01	Mirror (aspherical) Aspherical	left lhd	1	PR:256,257, 260,261,265, 528,098
(6)	991 731 035 05	Mirror (aspherical) Aspherical	left lhd	1	PR:256,257, 260,261,265, 098
(6)	991 731 036 00	Mirror (aspherical) Aspherical	right rhd	1	PR:256,257, 260,261,285, 528,099
(6)	991 731 036 02	Mirror (aspherical)	right rhd	1	PR:256,257,

Model: 991T13 Model life 2014>>

Pos	Part Number	Description	Remark	Qty	Model
		Aspherical			260,261,285,099
(6)	991 731 037 00	Mirror glass (convex)	left rhd	1	PR:256,257,260,261,264,528,099
(6)	991 731 037 02	Mirror glass (convex)	left rhd	1	PR:256,257,260,261,264,099
(6)	991 731 038 00	Mirror glass (convex)	right lhd	1	PR:256,257,260,261,284,098
(6)	991 731 038 06	Mirror glass (convex)	right lhd	1	PR:256,257,260,261,284,098
(6)	991 731 038 02	Mirror glass (convex)	right lhd	1	PR:215,265,257,260,261,284,528,098
(6)	991 731 038 08	Mirror glass (convex)	right lhd	1	PR:215,265,257,260,261,284,098
7	991 731 819 02	Cover Mirror base	left	1	
7	991 731 819 02 1E0	Black			
7	991 731 819 02	Cover Mirror base	left	1	
	991 731 819 02 G2X	primed			
(7)	991 731 820 02	Cover Mirror base	right	1	
	991 731 820 02 1E0	Black			
(7)	991 731 820 02	Cover Mirror base	right	1	
	991 731 820 02 G2X	primed			
8	991 731 219 08	Mirror base	left lhd	1	PR:098,256,257,528
(8)	991 731 220 08	Manually adjustable Mirror base	right lhd	1	PR:098,256,257,528
(8)	991 731 219 09	Manually adjustable Mirror base	left rhd	1	PR:099,256,257,528
(8)	991 731 220 09	Manually adjustable Mirror base	right rhd	1	PR:099,256,257,528
(8)	991 731 219 10	Electrically adjustable Mirror base	left lhd	1	PR:098,260,261,528
(8)	991 731 220 10	Electrically adjustable Mirror base	right lhd	1	PR:098,260,261,528
(8)	991 731 219 11	Electrically adjustable Mirror base	left rhd	1	PR:099,260,261,528
(8)	991 731 220 11	Electrically adjustable Mirror base	right rhd	1	PR:099,260,261,528
9	991 731 821 02	gasket for housing Mirror base	left	1	
(9)	991 731 822 02	gasket for housing Mirror base	right	1	
10	991 731 823 02	Seal	left	1	
(10)	991 731 824 02	Seal	lower right lower	1	
(11)	991 612 713 01	Wire set Exterior mirror		1	PR:256,528
(11)	991 612 714 02	Wire set Exterior mirror		1	PR:257,528
(11)	991 612 717 01	Wire set Exterior mirror		1	PR:260,528
(11)	991 612 718 02	Wire set		1	PR:261,528

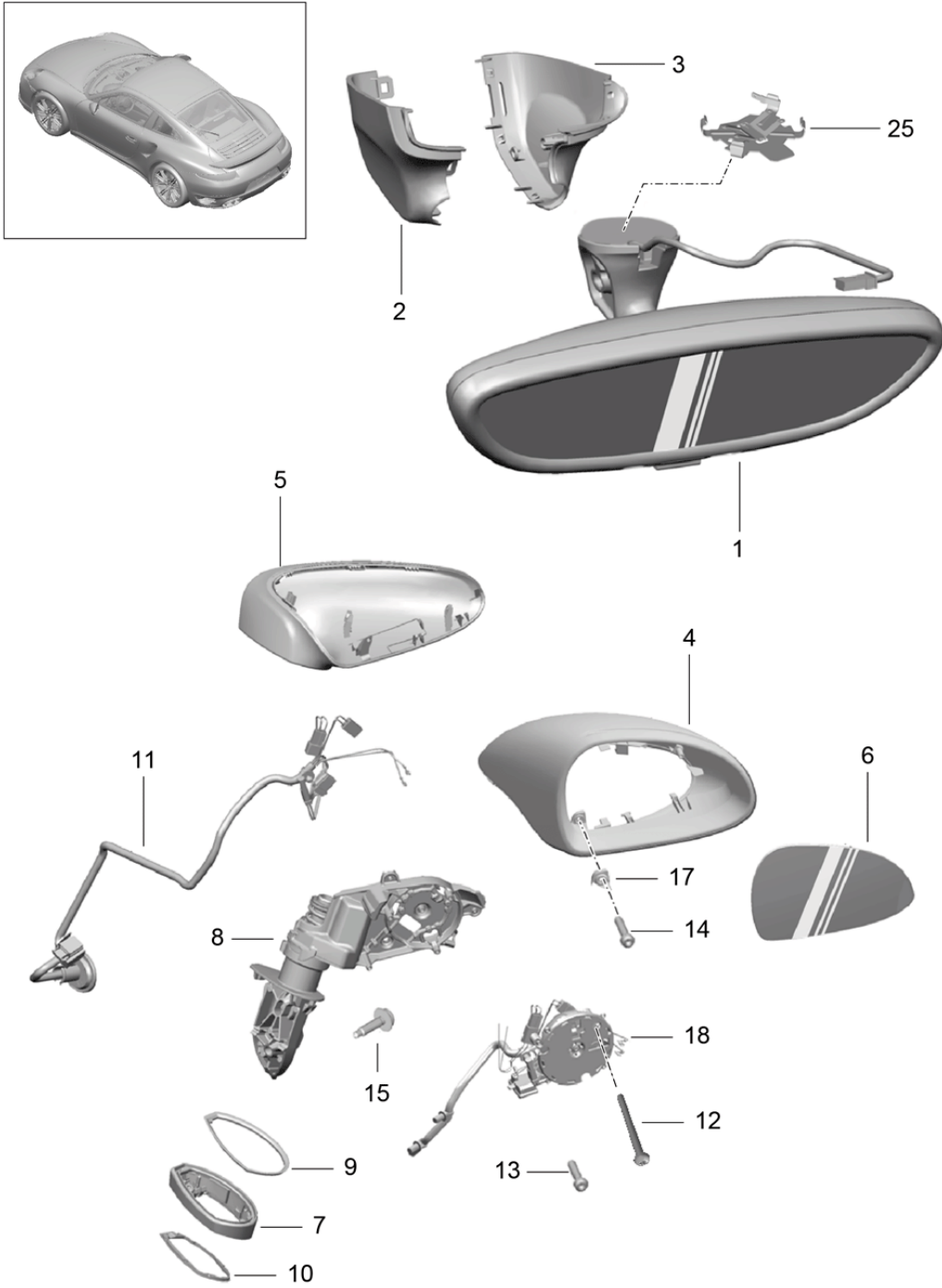


Model: 991T13 Model life 2014>>

Pos	Part Number	Description	Remark	Qty	Model
12	999 141 043 02	Exterior mirror fillister hd. bolt M 3X14		4	
13	999 919 234 09	fillister hd. bolt 3,0X12,0		3	
14	999 073 192 01	Socket head bolt M8X33		1	
15	991 631 611 01	Light Exterior mirror	left lhd	1	PR:260,261, 098
(15)	991 631 612 01	Light Exterior mirror	right lhd	1	PR:260,261, 098
16	991 731 879 00	Cover Screw	left lhd	1	PR:098
(16)	991 731 879 00 1E0	Black			
(16)	991 731 879 01	Cover Screw	left rhd	1	PR:099
(16)	991 731 879 01 1E0	Black			
(16)	991 731 880 00	Cover Screw	right lhd	1	PR:098
(16)	991 731 880 01 1E0	Black			
(16)	991 731 880 01	Cover Screw	right rhd	1	PR:099
17	991 731 880 01 1E0	Black			
17	7PP 959 578 B	Adjusting motor Discontinued part		2	
17	7PP 959 578 D	Adjusting motor		2	
(17)	7PP 959 578 C	Adjusting motor		2	PR:537,538
18	999 919 301 01	fillister hd. bolt M3X38 Mount POS17		1	

Model: 991T13

Model life 2014>>



Model: 991T13

Model life 2014>>

Pos	Part Number	Description	Remark	Qty	Model
		Interior mirror			PR:528
		Exterior mirror			
		D - MJ 2017>>			
1	991 731 511 02	Interior mirror		1	PR:276
	991 731 511 02 1E0	Black			
(1)	991 731 511 01	Interior mirror		1	PR:275
	991 731 511 01 1E0	Black			
2	991 731 811 01	Cover	left	1	
		Interior mirror			
		Mirror base			
	991 731 811 01 1E0	Black			
3	991 731 812 01	Cover	right	1	
		Interior mirror			
		Mirror base			
	991 731 812 01 1E0	Black			
4	991 731 619 00	Exterior mirror housing	left lhd	1	PR:098,528
	991 731 619 00 G2L	primed			
(4)	991 731 620 00	Exterior mirror housing	right lhd	1	PR:098,528
	991 731 620 00 G2L	primed			
(4)	991 731 619 01	Exterior mirror housing	left rhd	1	PR:099,528
	991 731 619 01 G2L	primed			
(4)	991 731 620 01	Exterior mirror housing	right rhd	1	PR:099,528
	991 731 620 01 G2L	primed			
5	991 731 719 04	Trim	left lower	1	PR:258,259,260,261,528
	991 731 719 04 1E0	Black			
(5)	991 731 720 04	Trim	right lower	1	PR:258,259,260,261,528
	991 731 720 04 1E0	Black			
(5)	991 731 719 05	Trim	left lower	1	PR:254,255,256,257,528
	991 731 719 05 1E0	Black			
(5)	991 731 720 05	Trim	right lower	1	PR:254,255,256,257,528
	991 731 720 05 1E0	Black			
6	991 731 035 04	Mirror glass (flat)	left lhd	1	PR:256,257,260,261,263,528,098
(6)	991 731 035 05	Mirror (aspherical) Aspherical	left lhd	1	PR:256,257,260,261,265,528,098
(6)	991 731 035 06	Mirror glass (flat)	left lhd	1	PR:254,255,258,259,263,528,098
(6)	991 731 035 07	Mirror (aspherical) Aspherical	left lhd	1	PR:254,255,258,259,265,528,098
(6)	991 731 036 02	Mirror (aspherical) Aspherical	right rhd	1	PR:256,257,260,261,285,528,099
(6)	991 731 036 03	Mirror (aspherical) Aspherical	right rhd	1	PR:254,255,258,259,285,528,099
(6)	991 731 037 02	Mirror glass (convex)	left rhd	1	PR:256,257,260,261,264,528,099
(6)	991 731 037 03	Mirror glass (convex)	left rhd	1	PR:254,255,258,259,264,528,099
(6)	991 731 038 06	Mirror glass (convex)	right lhd	1	PR:256,257,260,261,284,528,098
(6)	991 731 038 08	Mirror glass (convex)	right lhd	1	PR:256,257,

Model: 991T13 Model life 2014>>

Pos	Part Number	Description	Remark	Qty	Model
(6)	991 731 038 09	Mirror glass (convex)	right lhd	1	260,261,284, 215,528,098 PR:254,255, 258,259,284, 528,098
(6)	991 731 038 11	Mirror glass (convex)	right lhd	1	PR:215,254, 255,258,259, 284,528,098 PR:528
7	991 731 819 02	Cover Mirror base	left	1	PR:528
(7)	991 731 819 02 1E0 991 731 820 02	Black Cover Mirror base	right	1	PR:528
8	991 731 820 02 1E0 991 731 219 08	Black Mirror base Manually adjustable	left lhd	1	PR:098,254, 255,256,257, 528
(8)	991 731 220 08	Mirror base Manually adjustable	right lhd	1	PR:098,254, 255,256,257, 528
(8)	991 731 219 09	Mirror base Manually adjustable	left rhd	1	PR:099,254, 255,256,257, 528
(8)	991 731 220 09	Mirror base Manually adjustable	right rhd	1	PR:099,254, 255,256,257, 528
(8)	991 731 219 10	Mirror base Electrically adjustable	left lhd	1	PR:098,258, 259,260,261, 528
(8)	991 731 220 10	Mirror base Electrically adjustable	right lhd	1	PR:098,258, 259,260,261, 528
(8)	991 731 219 11	Mirror base Electrically adjustable	left rhd	1	PR:099,258, 259,260,261, 528
(8)	991 731 220 11	Mirror base Electrically adjustable	right rhd	1	PR:099,258, 259,260,261, 528
9	991 731 821 02	gasket for housing Mirror base	left	1	PR:528
(9)	991 731 822 02	gasket for housing Mirror base	right	1	PR:528
10	991 731 823 02	Seal	left lower	1	PR:528
(10)	991 731 824 02	Seal	right lower	1	PR:528
11	991 612 711 01	Wire set Exterior mirror		1	PR:254,528
(11)	991 612 712 02	Wire set Exterior mirror		1	PR:255,528
(11)	991 612 713 01	Wire set Exterior mirror		1	PR:256,528
(11)	991 612 714 02	Wire set Exterior mirror		1	PR:257,528
(11)	991 612 715 01	Wire set Exterior mirror		1	PR:258,528
(11)	991 612 716 02	Wire set Exterior mirror		1	PR:259,528
(11)	991 612 717 01	Wire set Exterior mirror		1	PR:260,528
(11)	991 612 718 02	Wire set Exterior mirror		1	PR:261,528
12	999 919 301 01	fillister hd. bolt		1	

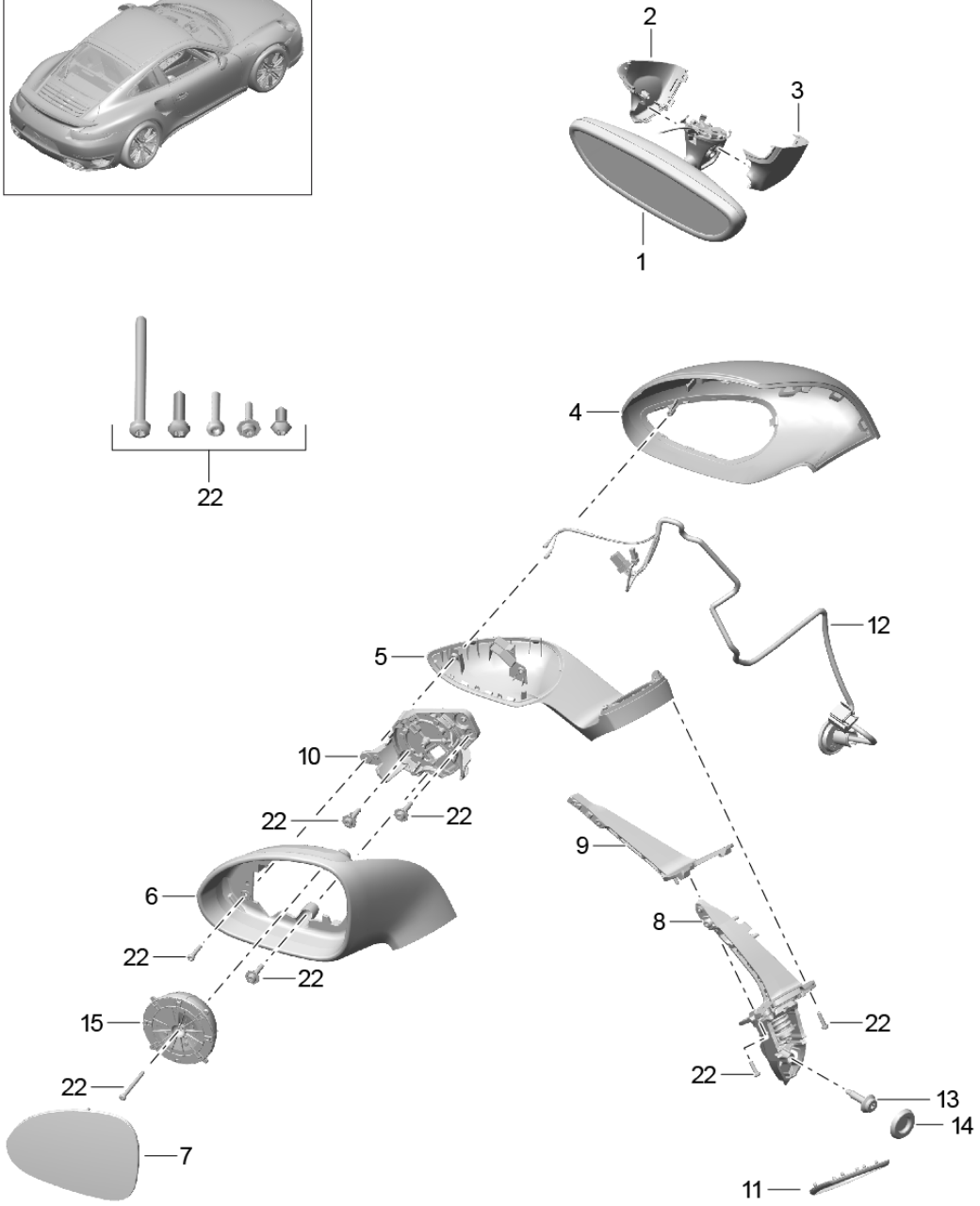
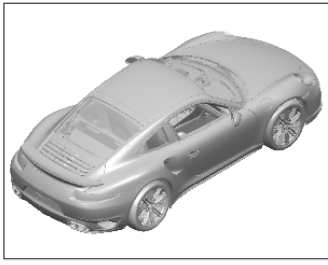
Model: 991T13

Model life 2014>>

Pos	Part Number	Description	Remark	Qty	Model
13	999 141 043 02	M 3X38 fillister hd. bolt		4	
14	999 919 234 09	M 3X14 fillister hd. bolt		3	
15	999 073 192 01	3,0X12,0 Socket head bolt		1	
16		M8X33 Light	left lhd	1	PR:258,259, 260,261,528, 098
(16)		Exterior mirror see 9/04/03			
		Light	right lhd	1	PR:258,259, 260,261,528, 098
		Exterior mirror see 9/03/04			
17	991 731 879 00	Cover	left lhd	1	PR:098,528
		Screw			
(17)	991 731 879 00 1E0	Black			
	991 731 879 01	Cover	left rhd	1	PR:099,528
		Screw			
	991 731 879 01 1E0	Black			
(17)	991 731 880 00	Cover	right lhd	1	PR:098,528
		Screw			
	991 731 880 00 1E0	Black			
(17)	991 731 880 01	Cover	right rhd	1	PR:099,528
		Screw			
	991 731 880 01 1E0	Black			
18	7PP 959 578 D	Adjusting motor		2	PR:-537,-538
(18)	7PP 959 578 E	Adjusting motor		2	PR:537,538
25	7PP 857 959	Spring clip		1	
		Interior mirror			

Model: 991T13

Model life 2014>>



Model: 991T13

Model life 2014>>

Pos	Part Number	Description	Remark	Qty	Model
		Interior mirror			PR:529
		Exterior mirror			
		Sport Design package			
		D >> - MJ 2016			
1	991 731 511 01	Interior mirror		1	PR:275
	991 731 511 01 1E0	Black			
(1)	991 731 511 02	Interior mirror		1	PR:276
	991 731 511 02 1E0	Black			
2	991 731 811 01	Cover	left	1	
		Interior mirror			
		Mirror base			
	991 731 811 01 1E0	Black			
3	991 731 812 01	Cover	right	1	
		Interior mirror			
		Mirror base			
	991 731 812 01 1E0	Black			
4	991 731 629 00	Housing upper part	left lhd	1	PR:098,256,257,529
		Exterior mirror			
	991 731 629 00 G2L	primed			
(4)	991 731 630 00	Housing upper part	right lhd	1	PR:098,256,257,529
		Exterior mirror			
	991 731 630 00 G2L	primed			
(4)	991 731 629 01	Housing upper part	left rhd	1	PR:099,256,257,529
		Exterior mirror			
	991 731 629 01 G2L	primed			
(4)	991 731 630 01	Housing upper part	right rhd	1	PR:099,256,257,529
		Exterior mirror			
	991 731 630 01 G2L	primed			
5	991 731 729 00	Trim	left	1	PR:256,257,529
	991 731 729 00 G2L	primed			
(5)	991 731 730 00	Trim	right	1	PR:256,257,529
	991 731 730 00 G2L	primed			
6	991 731 631 00	housing	left lhd	1	PR:098,256,257,529
		Frame			
	991 731 631 00 G2L	primed			
(6)	991 731 632 00	housing	right lhd	1	PR:098,256,257,529
		Frame			
	991 731 632 00 G2L	primed			
(6)	991 731 631 01	housing	left rhd	1	PR:099,256,257,529
		Frame			
	991 731 631 01 G2L	primed			
(6)	991 731 632 01	housing	right rhd	1	PR:099,256,257,529
		Frame			
	991 731 632 01 G2L	primed			
7	991 731 045 02	Mirror glass (flat)	left lhd	1	PR:256,257,263,098
(7)	991 731 045 03	Mirror (aspherical)	left lhd	1	PR:256,257,265,098
		Aspherical			
(7)	991 731 046 01	Mirror (aspherical)	right rhd	1	PR:256,257,285,099
		Aspherical			
(7)	991 731 047 01	Mirror glass (convex)	left rhd	1	PR:256,257,264,099
(7)	991 731 048 03	Mirror glass (convex)	right lhd	1	PR:256,257,284,098
(7)	991 731 048 05	Mirror glass (convex)	right lhd	1	PR:215,256,257,284,098
8	991 731 229 00	Mirror base	left lhd	1	PR:098,529
		Manually adjustable			
(8)	991 731 230 00	Mirror base	right lhd	1	PR:098,529
		Manually adjustable			
(8)	991 731 229 01	Mirror base	left rhd	1	PR:099,529

Model: 991T13

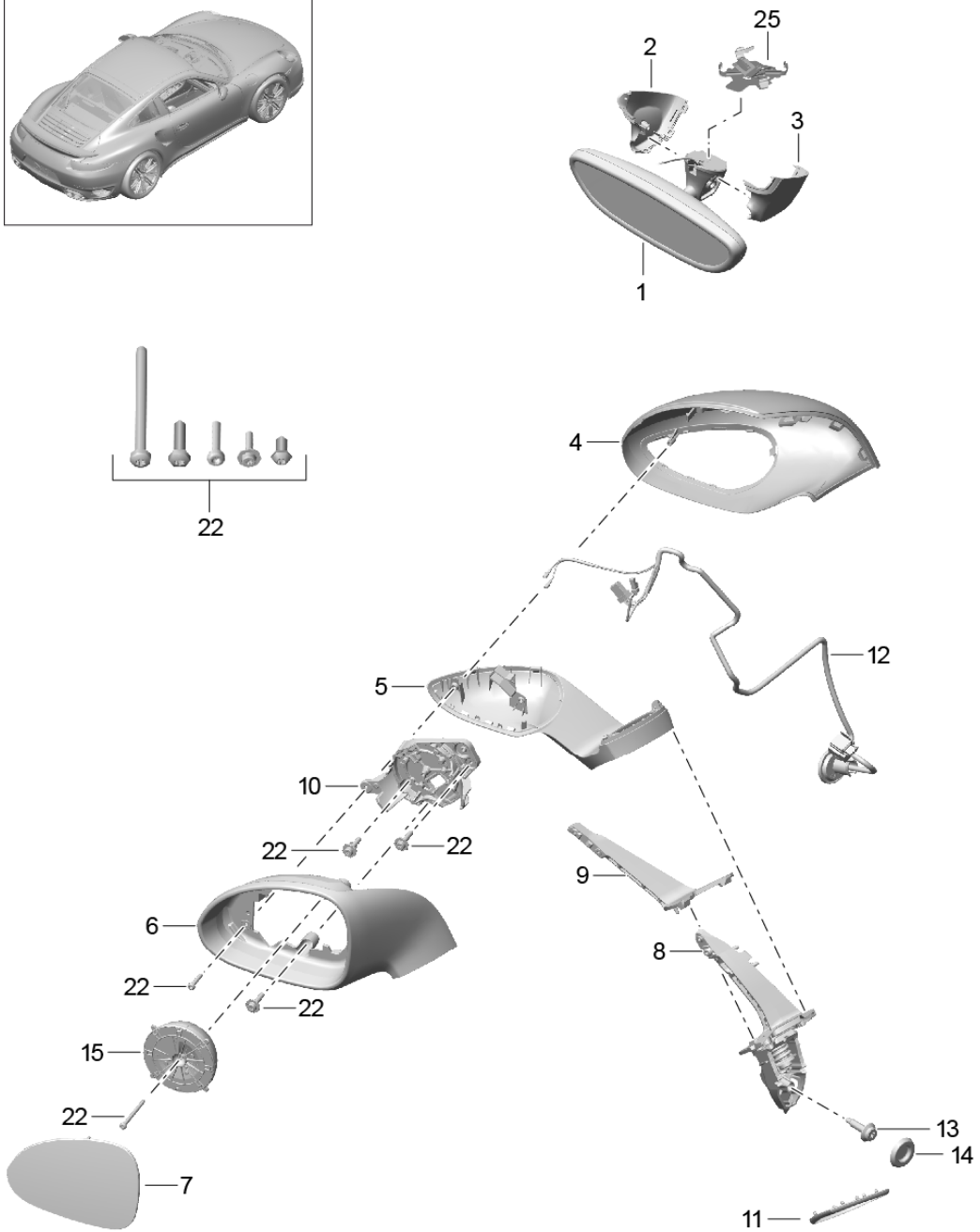
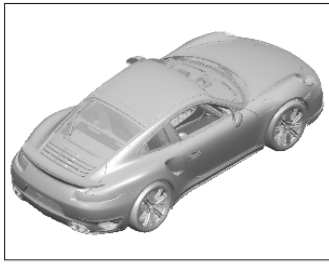
Model life 2014>>

Pos	Part Number	Description	Remark	Qty	Model
(8)	991 731 230 01	Manually adjustable Mirror base	right rhd	1	PR:099,529
9	991 731 221 00	Manually adjustable Carrier	left lhd	1	PR:098,529
(9)	991 731 222 00	Carrier	lower right lhd	1	PR:098,529
(9)	991 731 221 01	Carrier	lower left rhd	1	PR:099,529
(9)	991 731 222 01	Carrier	right rhd	1	PR:099,529
10	991 731 519 00	plate Reinforcement	lower left lhd	1	PR:098,529
(10)	991 731 520 00	plate Reinforcement	right lhd	1	PR:098,529
(10)	991 731 519 01	plate Reinforcement	left rhd	1	PR:099,529
(10)	991 731 520 01	plate Reinforcement	right rhd	1	PR:099,529
11	991 731 833 00	Seal	left	1	PR:529
(11)	991 731 834 00	Seal	lower right lower	1	PR:529
12	991 622 711 00	Wire set Exterior mirror		1	PR:254,529
(12)	991 622 712 00	Wire set Exterior mirror		1	PR:255,529
(12)	991 622 713 00	Wire set Exterior mirror		1	PR:256,529
(12)	991 622 714 00	Wire set Exterior mirror		1	PR:257,529
13	999 073 192 01	Socket head bolt M8X33		1	
14	999 703 543 40	End cap Screw 25,0X35,0		1	
15	7PP 959 578 B	Adjusting motor Discontinued part		2	PR:-537,-538
15	7PP 959 578 D	Adjusting motor		2	PR:-537,-538
(15)	7PP 959 578 E	Adjusting motor		2	PR:537,538
22	991 731 919 00	1 set securing bolts comprising:		1	
		3X14		4	
		3X12		2	
		3X16		1	
		3X10		3	
		3X38		1	



Model: 991T13

Model life 2014>>



Model: 991T13 Model life 2014>>

Pos	Part Number	Description	Remark	Qty	Model
		Interior mirror Exterior mirror Sport Design package D - MJ 2017>>			PR:529
1	991 731 511 01	Interior mirror		1	PR:275
	991 731 511 01 1E0	Black			
(1)	991 731 511 02	Interior mirror		1	PR:276
	991 731 511 02 1E0	Black			
2	991 731 811 01	Cover	left	1	
		Interior mirror Mirror base			
	991 731 811 01 1E0	Black			
3	991 731 812 01	Cover	right	1	
		Interior mirror Mirror base			
	991 731 812 01 1E0	Black			
4	991 731 629 00	Housing upper part Exterior mirror	left lhd	1	PR:098,254, 255,256,257, 529
	991 731 629 00 G2L	primed			
(4)	991 731 630 00	Housing upper part Exterior mirror	right lhd	1	PR:098,254, 255,256,257, 529
	991 731 630 00 G2L	primed			
(4)	991 731 629 01	Housing upper part Exterior mirror	left rhd	1	PR:099,254, 255,256,257, 529
	991 731 629 01 G2L	primed			
(4)	991 731 630 01	Housing upper part Exterior mirror	right rhd	1	PR:099,254, 255,256,257, 529
	991 731 630 01 G2L	primed			
(4)	991 731 629 06	Housing upper part Exterior mirror	left	1	PR:098,XJW, 789
	991 731 629 06 A3G	Carbon Gloss Black			
(4)	991 731 630 06	Housing upper part Exterior mirror	right	1	PR:098,XJW, 789
	991 731 630 06 A3G	Carbon Gloss Black			
(4)	991 731 629 07	Housing upper part Exterior mirror	left	1	PR:099,XJW, 789
	991 731 629 07 A3G	Carbon Gloss Black			
(4)	991 731 630 07	Housing upper part Exterior mirror	right	1	PR:099,XJW, 789
	991 731 630 07 A3G	Carbon Gloss Black			
5	991 731 729 00	Trim	left	1	PR:254,255, 256,257,529
	991 731 729 00 G2L	primed			
(5)	991 731 730 00	Trim	right	1	PR:254,255, 256,257,529
	991 731 730 00 G2L	primed			
6	991 731 631 00	housing Frame	left lhd	1	PR:098,254, 255,256,257, 529
	991 731 631 00 G2L	primed			
(6)	991 731 632 00	housing Frame	right lhd	1	PR:098,254, 255,256,257, 529
	991 731 632 00 G2L	primed			
(6)	991 731 631 01	housing Frame	left rhd	1	PR:099,254, 255,256,257, 529
	991 731 631 01 G2L	primed			
(6)	991 731 632 01	housing	right rhd	1	PR:099,254,

Model: 991T13

Model life 2014>>

Pos	Part Number	Description	Remark	Qty	Model
		Frame			255,256,257, 529
7	991 731 632 01 G2L 991 731 045 00	primed Mirror glass (flat)	left lhd	1	PR:254,255, 263,529,098
(7)	991 731 045 01	Mirror (aspherical) Aspherical	left lhd	1	PR:254,255, 265,529,098
(7)	991 731 045 02	Mirror glass (flat)	left lhd	1	PR:256,257, 263,529,098
(7)	991 731 045 03	Mirror (aspherical) Aspherical	left lhd	1	PR:256,257, 265,529,098
(7)	991 731 046 00	Mirror (aspherical) Aspherical	right rhd	1	PR:254,255, 285,529,099
(7)	991 731 046 01	Mirror (aspherical) Aspherical	right rhd	1	PR:256,257, 285,529,099
(7)	991 731 047 00	Mirror glass (convex)	left rhd	1	PR:254,255, 264,529,099
(7)	991 731 047 01	Mirror glass (convex)	left rhd	1	PR:256,257, 264,529,099
(7)	991 731 048 00	Mirror glass (convex)	right lhd	1	PR:254,255, 284,529,098
(7)	991 731 048 02	Mirror glass (convex)	right lhd	1	PR:215,254, 284,529,255, 098
(7)	991 731 048 03	Mirror glass (convex)	right lhd	1	PR:256,257, 284,529,098
(7)	991 731 048 05	Mirror glass (convex)	right lhd	1	PR:215,256, 257,284,529, 098
8	991 731 229 00	Mirror base Manually adjustable	left lhd	1	PR:098,529
(8)	991 731 230 00	Mirror base Manually adjustable	right lhd	1	PR:098,529
(8)	991 731 229 01	Mirror base Manually adjustable	left rhd	1	PR:099,529
(8)	991 731 230 01	Mirror base Manually adjustable	right rhd	1	PR:099,529
9	991 731 221 00	Carrier	left lhd	1	PR:098,529
(9)	991 731 222 00	Carrier	right lhd lower	1	PR:098,529
(9)	991 731 221 01	Carrier	left rhd lower	1	PR:099,529
(9)	991 731 222 01	Carrier	right rhd lower	1	PR:099,529
10	991 731 519 00	plate Reinforcement	left lhd	1	PR:098,529
(10)	991 731 520 00	plate Reinforcement	right lhd	1	PR:098,529
(10)	991 731 519 01	plate Reinforcement	left rhd	1	PR:099,529
(10)	991 731 520 01	plate Reinforcement	right rhd	1	PR:099,529
11	991 731 833 00	Seal	left lower	1	PR:529
(11)	991 731 834 00	Seal	right lower	1	PR:529
12	991 622 711 00	Wire set Exterior mirror		1	PR:254,529
(12)	991 622 712 00	Wire set Exterior mirror		1	PR:255,529
(12)	991 622 713 00	Wire set Exterior mirror		1	PR:256,529

Model: 991T13

Model life 2014>>

Pos	Part Number	Description	Remark	Qty	Model
(12)	991 622 714 00	Wire set Exterior mirror		1	PR:257,529
13	999 073 192 01	Socket head bolt M8X33		1	
14	999 703 543 40	End cap Screw 25,0X35,0		1	
15	7PP 959 578 D	Adjusting motor		2	
16	999 919 301 01	fillister hd. bolt M3X38 Mount Adjusting motor		1	
18	999 919 178 09	Mirror glass fillister hd. bolt M 3X10		X	
19	999 919 234 09	fillister hd. bolt 3,0X12,0		3	
21	N 106 755 01	Socket head bolt M 3X16		1	
25	7PP 857 959	Spring clip Interior mirror		1	

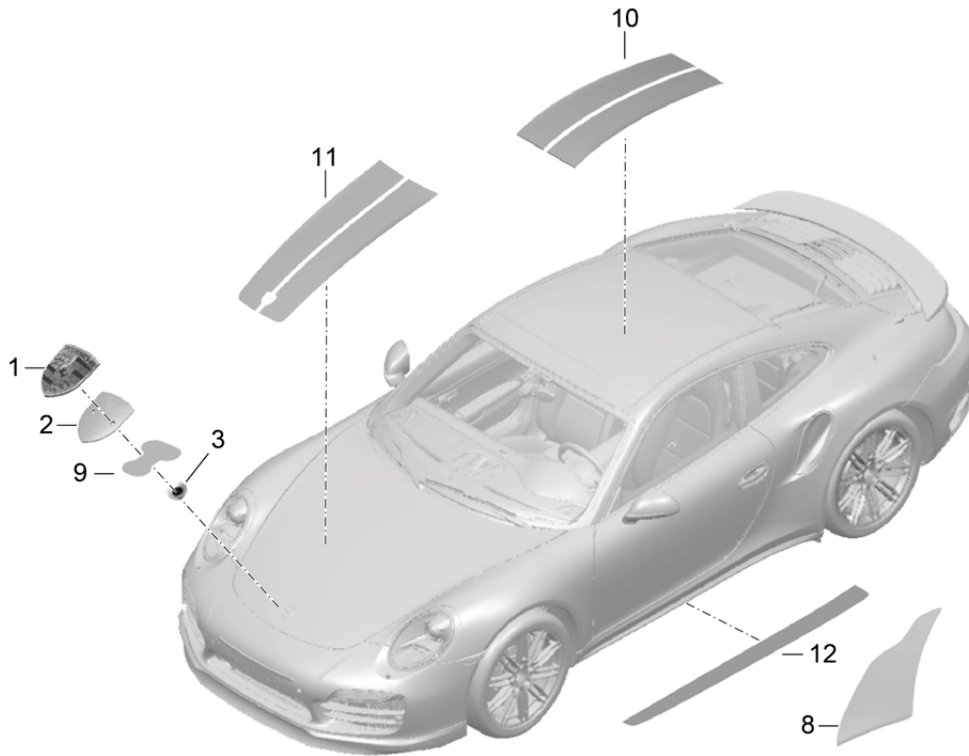
Model: 991T13

Model life 2014>>

4-P O R S C H E

6-Turbo S-7

5-911

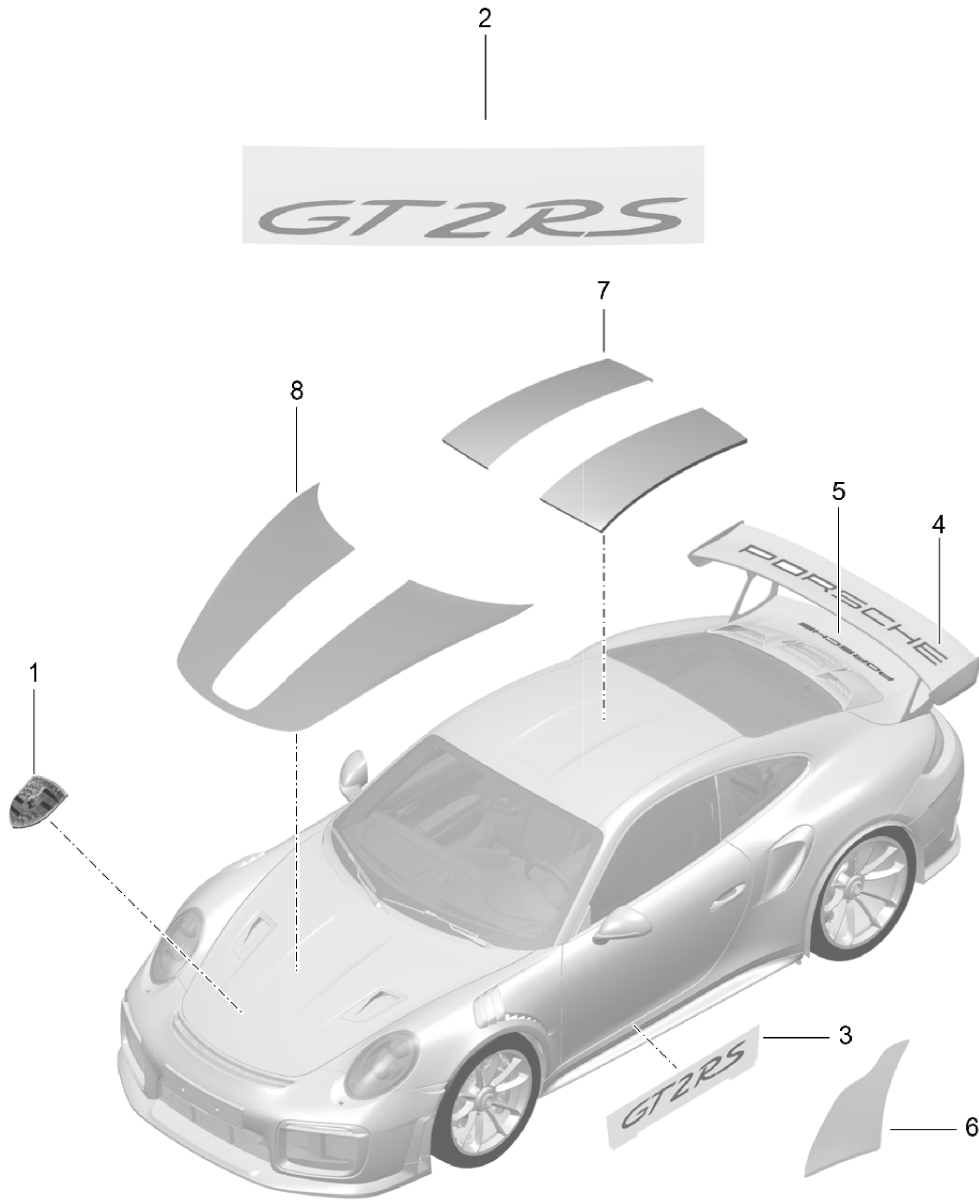


Model: 991T13 Model life 2014>>

Pos	Part Number	Description	Remark	Qty	Model
		inscriptions/lettering Decorative fittings Stone guard film			
1	991 559 211 00	Porsche crest	front	1	
2	991 559 215 02	Underlay		1	
3	999 591 423 03	Tapping nut 3,0		2	
4	991 559 235 00	inscription *PORSCHE*		1	
		chromed			
5	991 559 231 02	inscription *911*		1	
		chromed			
6	991 559 247 00	inscription *TURBO*		1	
		chromed			
7	991 559 243 01	inscription *S*		1	
		Stone guard film	left	1	
		Side part			
(8)	991 504 836 01	Stone guard film	right	1	
		Side part			
9	999 911 756 41	Adhesive film		1	
		D - MJ 2015>>			
10	991 503 999 00	Paint template Roof		1	PR:028
		D - MJ 2018>>			
11	991 511 945 00	Paint template Cover	front	1	PR:028
		D - MJ 2018>>			
12	991 504 909 00	Paint template Side member trim	left	1	PR:028
		D - MJ 2018>>			
(12)	991 504 910 00	Paint template Side member trim	right	1	PR:028
		D - MJ 2018>>			

Model: 991T13

Model life 2014>>



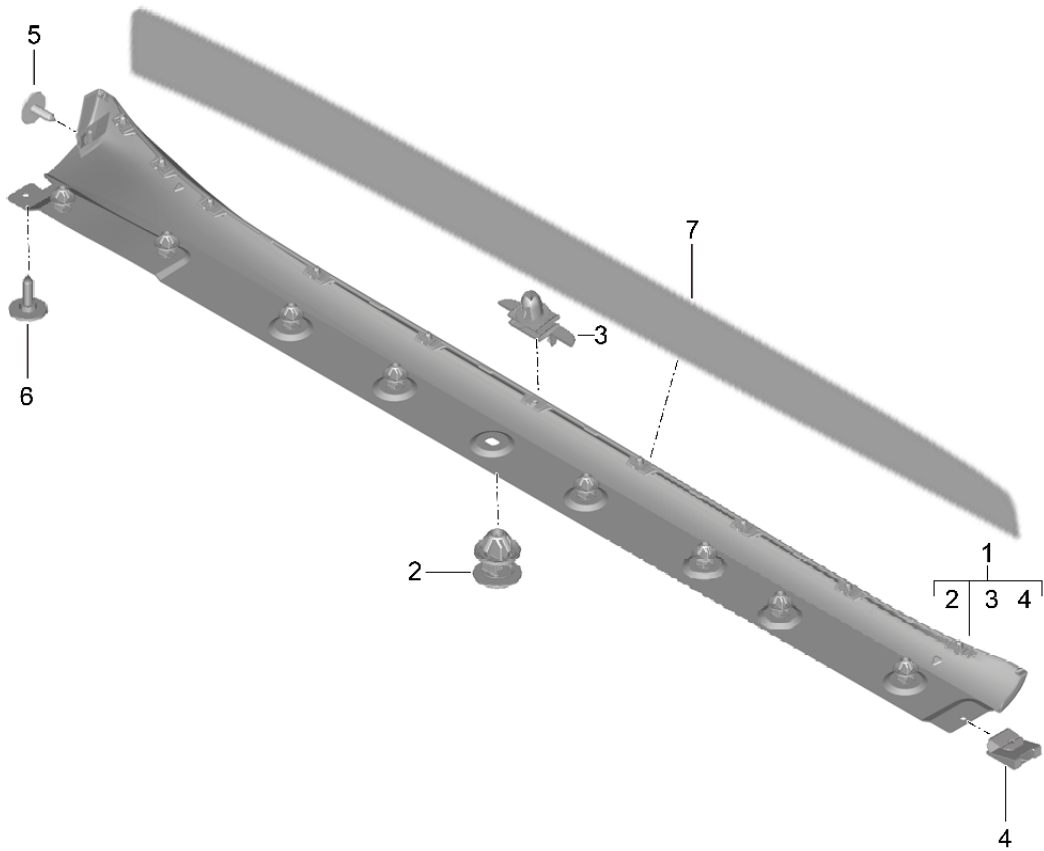
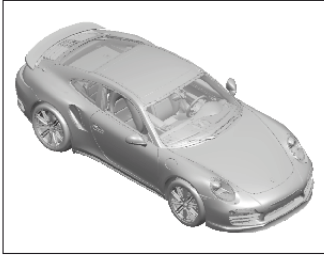
Model: 991T13 Model life 2014>>

Pos	Part Number	Description	Remark	Qty	Model
		inscriptions/lettering			GT2 RS
		Trim			
1	996 559 211 90	Stone guard film			
		Porsche crest	rear	1	
2	991 559 251 84	inscription	HINTEN	1	
		GT2 RS			
		bumper			
	991 559 251 84 OZ4	silver	-A1		
	991 559 251 84 OY5	Matt black	-G1,H2,J5,P3, 0Q,3H,U2,98, 99		
3	991 559 333 84	inscription	left a. right	2	
		GT2 RS	side		
		doors			
	991 559 333 84 OZ4	silver	-A1		
	991 559 333 84 OY5	Matt black	-G1,H2,J5,P3, 0Q,3H,U2,98, 99		
4	991 559 521 70	inscription		1	
		Spoiler			
		Porsche			
5	9P1 853 687	inscription		1	
		Rear lid			
		Porsche			
6	991 504 835 01	Stone guard film	left	1	
		Side part			
(6)	991 504 836 01	Stone guard film	right	1	
		Side part			
7	991 503 999 80	Painting stencil		1	
		template			
		Roof			
8	991 511 945 80	Painting stencil	front	1	
		template			
		Cover			



Model: 991T13

Model life 2014>>

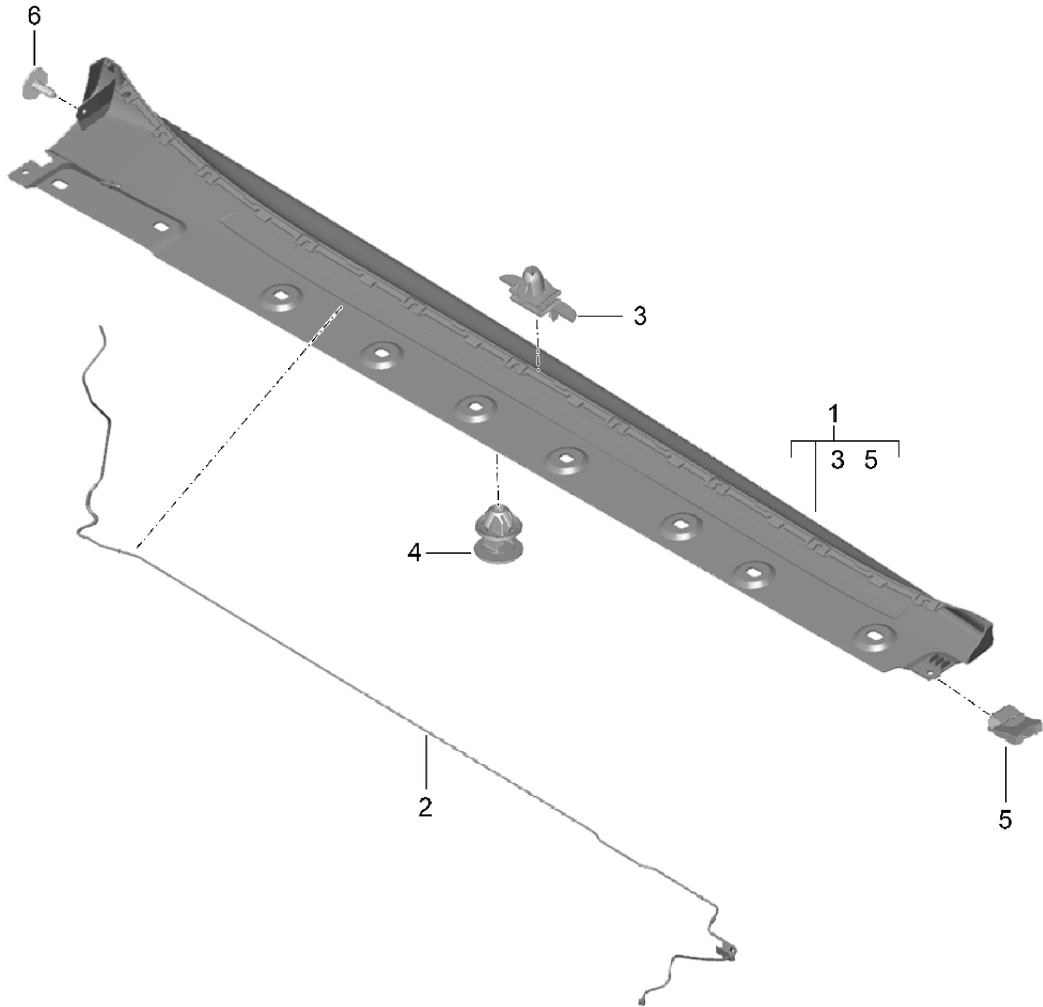
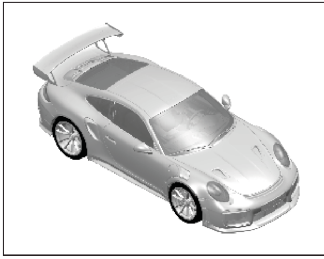


Model: 991T13 Model life 2014>>

Pos	Part Number	Description	Remark	Qty	Model
1	991 504 595 01	Side member trim Side member trim D >> - MJ 2014	left	1	
1	991 504 595 01 1E0 991 504 595 01	Black Side member trim D - MJ 2015>>	left	1	PR:-XAJ,-XAW
(1)	991 504 595 01 1E0 991 504 953 00	Black Side member trim Assembly kit primed D - MJ 2015>>	left	1	PR:XAJ,XAW, 789
(1)	991 504 596 01	Side member trim D >> - MJ 2014	right	1	
(1)	991 504 596 01 1E0 991 504 596 01	Black Side member trim D - MJ 2015>>	right	1	PR:-XAJ,-XAW
(1)	991 504 596 01 1E0 991 504 954 00	Black Side member trim Assembly kit primed D - MJ 2015>>	right	1	PR:XAJ,XAW, 789
(1)	991 504 937 01	Side member trim with:	left	1	PR:028
(1)	991 504 938 01	Paint template primed Side member trim with:	right	1	PR:028
2	981 504 597 00	Fasteners Cover		9	
3	999 507 986 40	Retaining clip Side member trim 9,0X1,5		10	
4	999 507 795 09	panel nut ST 4,8		2	
5	999 073 231 09	panel screw ST4,8X16-C		X	
6	999 073 227 09	panel screw ST4,8X19-C		X	
7	991 504 909 00	Paint template Side member trim	left	1	PR:028
(7)	991 504 910 00	Paint template Side member trim	right	1	PR:028

Model: 991T13

Model life 2014>>



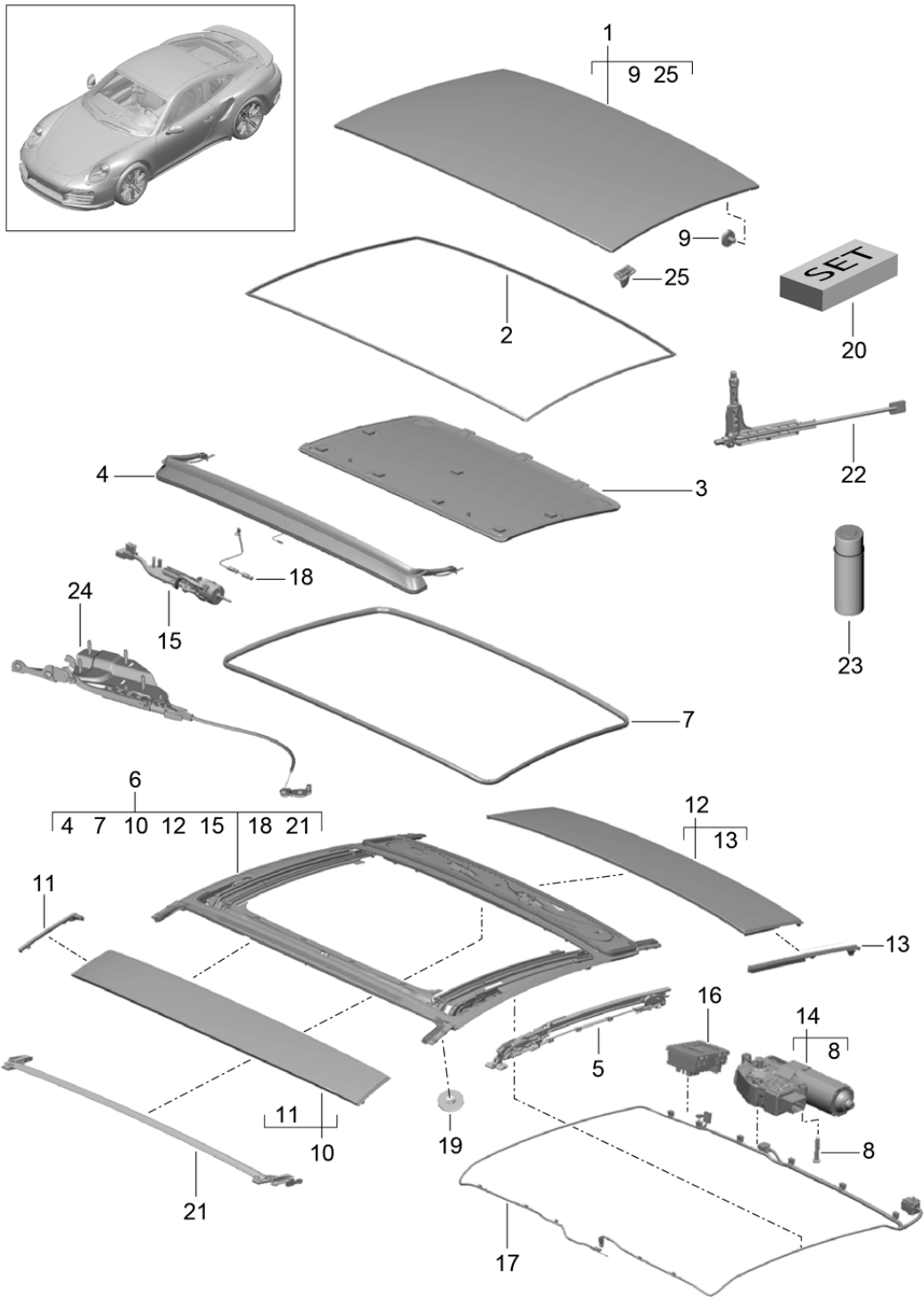
Model: 991T13

Model life 2014>>

Pos	Part Number	Description	Remark	Qty	Model
1	991 504 595 81	Side member trim			GT2 RS
		Side member trim	left	1	
	991 504 595 81 OK1	Matt black			
(1)	991 504 596 81	Side member trim	right	1	
	991 504 596 81 OK1	Matt black			
2	9P3 806 417	Line	left	1	
		Sill			
(2)	9P3 806 418	Line	right	1	
		Sill			
3	999 507 986 40	Retaining clip		10	
		Side member trim			
		9,0X1,5			
4	991 504 597 80	Retaining clip		9	
		Side member trim			
5	999 507 309 02	panel nut		2	
		ST 4,8			
6	999 073 505 01	panel screw		X	
		ST4,8X16-C			

Model: 991T13

Model life 2014>>



Model: 991T13

Model life 2014>>

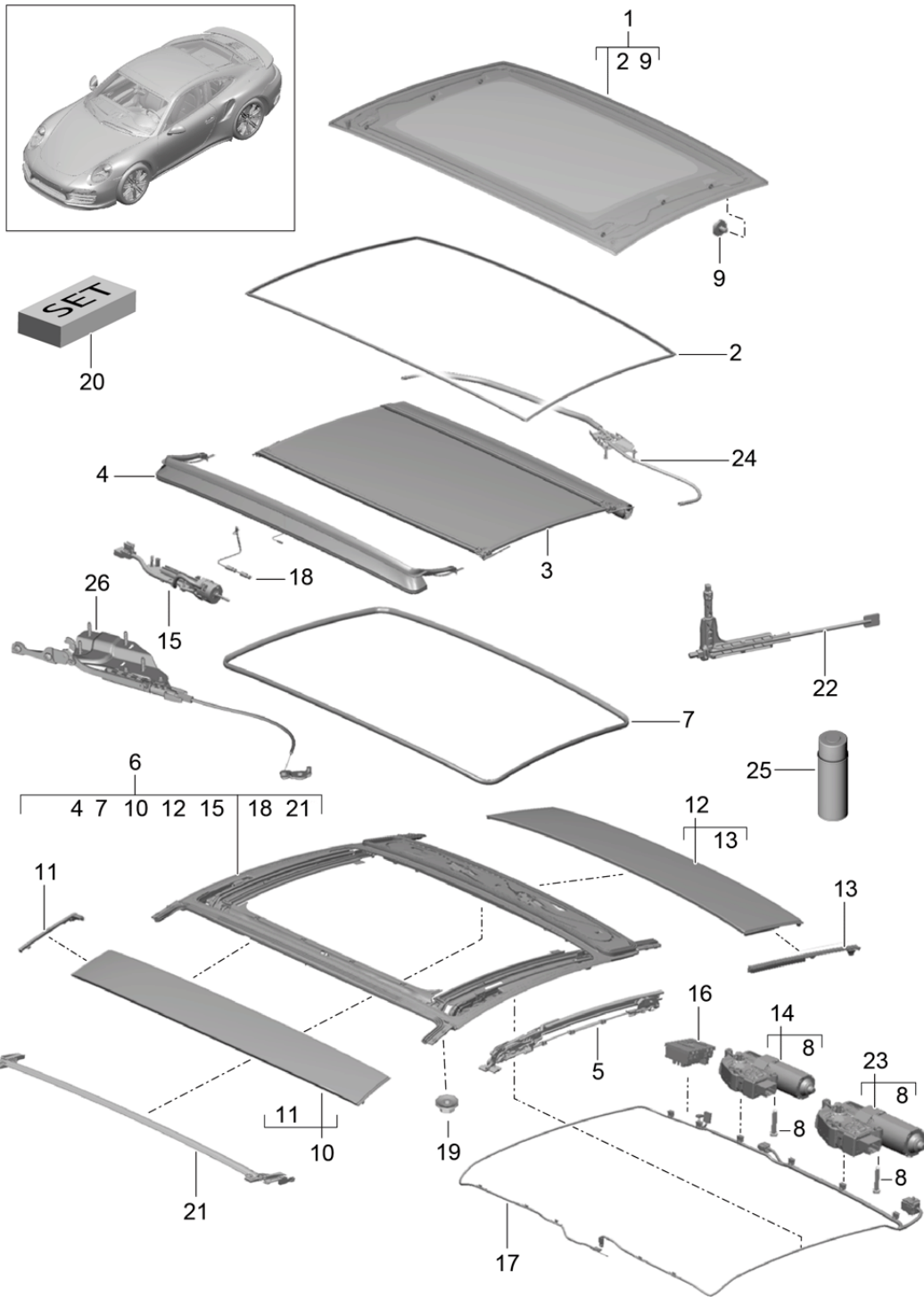
Pos	Part Number	Description	Remark	Qty	Model
1	991 566 343 00	Sunroof Cover		1	PR:651 PR:651
		with: Fastening screw D >> - MJ 2016			
(1)	991 566 343 00 GRV 991 566 343 01	primed Cover		1	PR:651
		with: Fastening screw D - MJ 2017>>			
2	991 566 343 01 GRV 991 566 455 00	primed Seal Cover		1	PR:651
		use if required:			
-	999 915 577 40	Primer PRIMER for Mount strip Seal		1	
3	991 566 905 00	Moulded headliner Sunroof		1	PR:651
		with: Fasteners Black	-AZ, EZ, BR, BL, BA, BQ, NG, 99		
	991 566 905 00 2W0				
	991 566 905 00 8U3	Platinum Grey	-CZ		
	991 566 905 00 9U1	Luxor beige	-UZ		
	991 566 905 00 0U5	agate grey	-DK, BV		
	991 566 905 00 9U7	Espresso	-NE, BH		
4	991 566 161 00	wind deflector (complete)		1	PR:651
		with: Fasteners			
5	991 566 351 00	Guide rail	left	1	PR:651
		with: gate guide (complete)			
(5)	991 566 352 00	Guide rail	right	1	PR:651
		with: gate guide (complete)			
(5)	991 566 352 01	D >> - MJ 2016 Guide rail	right	1	PR:651
		with: gate guide (complete)			
6	991 566 215 00	D - MJ 2017>> Frame for sliding sunroof aperture		1	PR:651
		also use:	N 906 661 01	2	
7	991 566 331 00	Seal Frame		1	PR:651
		use if required:			
-	999 915 577 40	Primer PRIMER for Mount Seal		1	
8	958 562 057 00	Set of fastening parts Fastening screw Driving mechanism		1	

Model: 991T13 Model life 2014>>

Pos	Part Number	Description	Remark	Qty	Model
9	991 566 945 00	Set Fastening screw		1	
10	991 566 321 00	Cover Trim	front	1	PR:651
		with:			
	991 566 321 00 GRV	Seal primed			
11	991 566 923 00	Seal	left	1	PR:651
		Trim	front		
(11)	991 566 924 00	Seal	right	1	PR:651
		Trim	front		
12	991 566 325 00	Trim	rear	1	PR:651
		with:			
	991 566 325 00 GRV	Seal primed			
13	991 566 927 00	Seal	left	1	PR:651
		Trim	rear		
(13)	991 566 928 00	Seal	right	1	PR:651
		Trim	rear		
14	991 624 909 00	Driving mechanism Cover Sunroof		1	PR:651
		with:			
		Fasteners			
15	991 624 915 00	Driving mechanism wind deflector		1	PR:651
16	991 618 215 02	Control unit wind deflector		1	PR:352,475, 651,653
17	991 612 871 00	Wire set Sunroof		1	PR:651
		also use:	N 906 661 01	2	
18	991 566 961 00	repair set Cable Guide wind deflector		1	
19	N 905 708 02	hex. nut with washer Frame M6		4	
20	000 043 303 19	Adhesive set		1	
21	991 566 443 00	Transverse strut		1	
		with:			
22		Fasteners crank Emergency operation		1	
		see illustration:	001-000		
(23)	000 043 306 21	Special lubricant for sliding glides 150 ML 1 tube		1	
23	N 052 567 GB	special lubricant Spraying can		1	
24	991 566 972 00	D - MJ 2017>> repair set Locking mechanism		1	PR:651
25	9P1 898 220	D - MJ 2017>> repair set Thrust wedge for wind deflector		1	

Model: 991T13

Model life 2014>>





Model: 991T13 Model life 2014>>

Pos	Part Number	Description	Remark	Qty	Model
1	991 566 345 00	Glass roof		1	PR:653
(1)	991 566 345 01	Glass roof D >> - MJ 2016		1	PR:653
(2)	991 566 465 00	Seal Glass roof D - MJ 2017>>		1	PR:653
3	991 566 907 00	roller blind Glass roof		1	PR:653
		with:			
	991 566 907 00 OH7	Fasteners Graphite grey	-HZ, BG, TG		
	991 566 907 00 OA3	Black	-AZ, EZ, BR, BL, BA, BQ, NG, 99		
	991 566 907 00 OC5	Platinum Grey	-CZ		
	991 566 907 00 OB4	Luxor beige	-UZ		
	991 566 907 00 OG9	agate grey	-DK, BV		
	991 566 907 00 OE7	Espresso	-NE, BH		
4	991 566 161 00	wind deflector (complete)		1	PR:653
		with:			
5	991 566 351 00	Fasteners Guide rail	left	1	PR:653
		with:			
(5)	991 566 352 00	gate guide (complete) Guide rail	right	1	PR:653
		with:			
(5)	991 566 352 01	gate guide (complete) D >> - MJ 2016 Guide rail	right	1	PR:653
		with:			
6	991 566 215 00	gate guide (complete) D - MJ 2017>> Frame for sliding sunroof aperture		1	PR:653
		also use:	991 566 960 00	1	
7	991 566 331 00	See workshop manual Seal Frame		1	PR:653
-	999 915 577 40	use if required: Primer PRIMER for Mount Seal		1	
8	958 562 057 00	Set of fastening parts Fastening screw Driving mechanism		1	
9	991 566 945 00	Set Fastening screw Cover		1	
10	991 566 321 00	Trim	front	1	PR:653
	991 566 321 00 GRV	primed			
11	991 566 923 00	Seal	left	1	PR:653
		Trim	front		
(11)	991 566 924 00	Seal	right	1	PR:653
		Trim	front		
12	991 566 325 00	Trim	rear	1	PR:653
	991 566 325 00 GRV	primed			

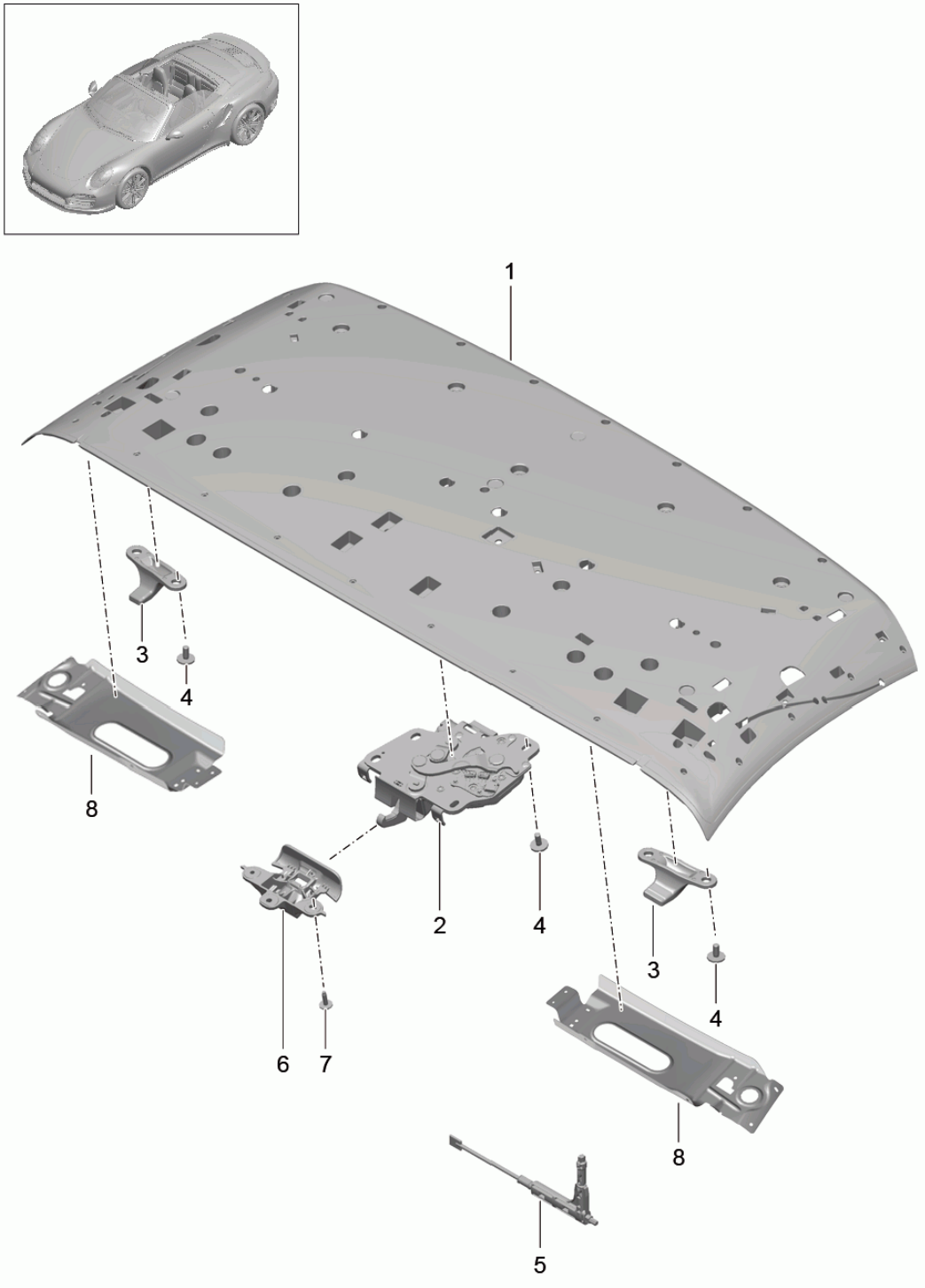
Model: 991T13

Model life 2014>>

Pos	Part Number	Description	Remark	Qty	Model
13	991 566 927 00	Seal Trim	left rear	1	PR:653
(13)	991 566 928 00	Seal Trim	right rear	1	PR:653
14	991 624 911 00	Driving mechanism Glass roof		1	PR:653
		with:			
15	991 624 915 00	Fasteners Driving mechanism wind deflector		1	PR:653
16	991 618 215 02	Control unit wind deflector		1	
17	991 612 871 00	Wire set Glass roof		1	PR:653
18	991 566 961 00	repair set Cable Guide wind deflector		1	PR:653
19	N 905 708 02	hex. nut with washer Frame M6		4	
20	000 043 303 19	Adhesive set		1	
20	000 043 305 35	. 2K pane adhesive set		1	
21	991 566 443 00	Transverse strut		1	
		with:			
22		Fasteners crank Emergency operation		1	
23	991 624 913 00	see illustration: Drive f. sunlight roller blind repair set	001-000	1	PR:653
24	991 566 960 00	repair set Cable for roller blind		1	
(25)	000 043 306 21	Special lubricant for sliding glides 150 ML 1 tube		1	
25	N 052 567 GB	special lubricant Spraying can		1	
26	991 566 970 00	D - MJ 2017>> repair set Locking mechanism D - MJ 2017>>		1	PR:653

Model: 991T13

Model life 2014>>



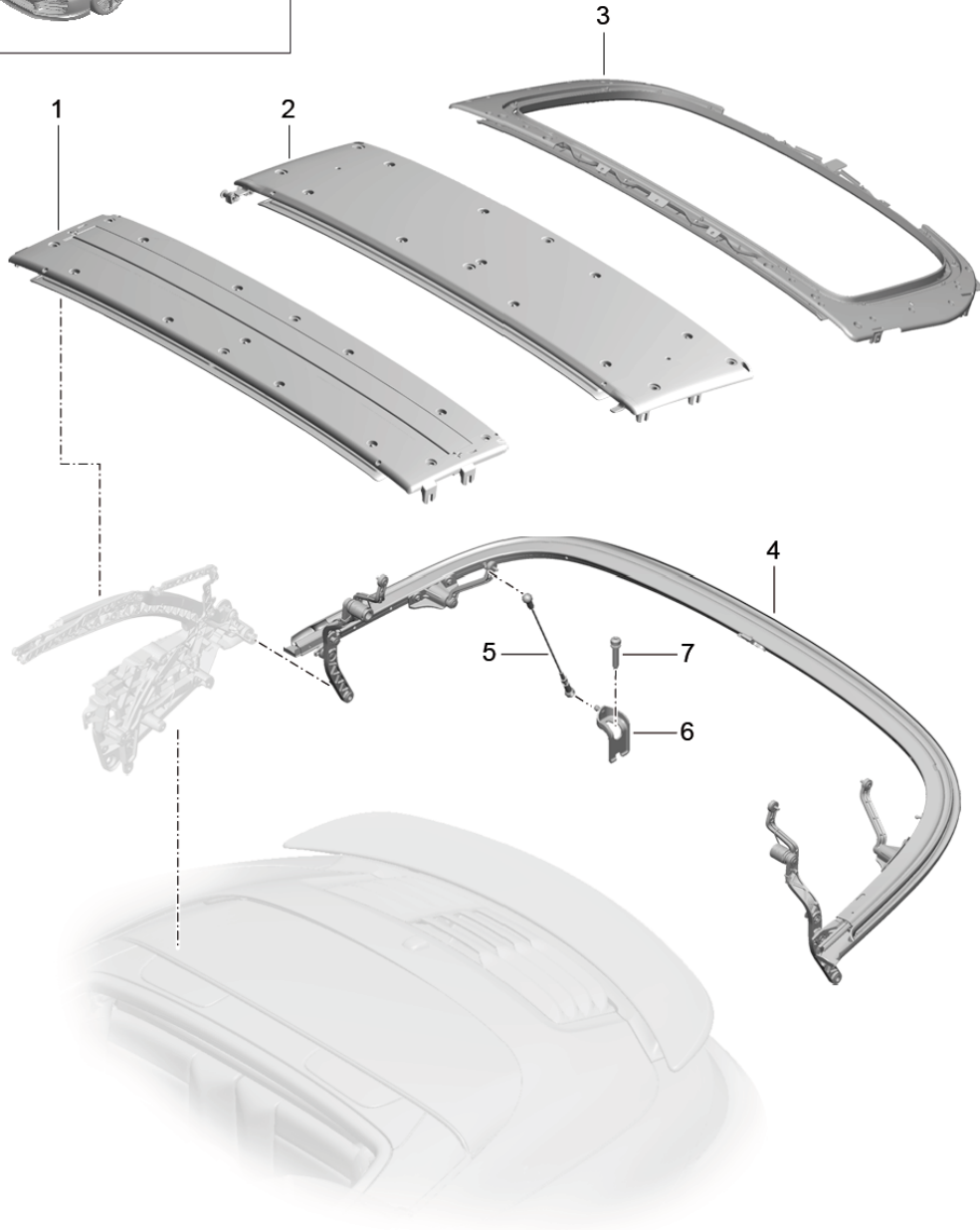
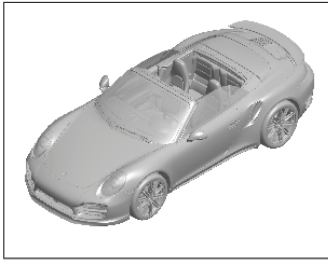
Model: 991T13

Model life 2014>>

Pos	Part Number	Description	Remark	Qty	Model
1	991 561 941 01	top frame roof frame catch roof frame  with: Fasteners	front	1	Cabrio
2	991 561 117 00	catch		1	
3	991 561 605 00	Centring journal	left	1	
(3)	991 561 606 00	Centring journal	right	1	
4	991 561 965 01	Set of fastening parts for catch and Centring journal		1	
5		Tool Emergency operation see illustration:	001-000	1	
6	991 561 235 03	Support catch		1	
	991 561 235 03 5Q0	Black			
7	999 073 223 01	Bolt with washer M6x25		3	
8	991 561 937 00	repair set deformation element		1	

Model: 991T13

Model life 2014>>



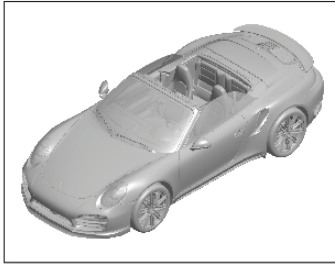
Model: 991T13

Model life 2014>>

Pos	Part Number	Description	Remark	Qty	Model
		top frame			Cabrio
		Individual parts			
1	991 561 943 00	Roof arch	front	1	
		Roof arch			
		with:			
2	991 561 945 00	Fasteners	rear	1	
		Roof arch			
		with:			
3	991 561 947 01	Fasteners		1	
		Rear window frame			
		Mount			
4	991 561 215 00	Trim	rear	1	
		Roof arch	lower		
		with:			
5	991 561 513 00	Accessories		2	
		tension wire			
6	991 561 055 00	Console		2	
		tension wire			
7	991 561 819 00	adjusting screw		2	

Model: 991T13

Model life 2014>>



Model: 991T13

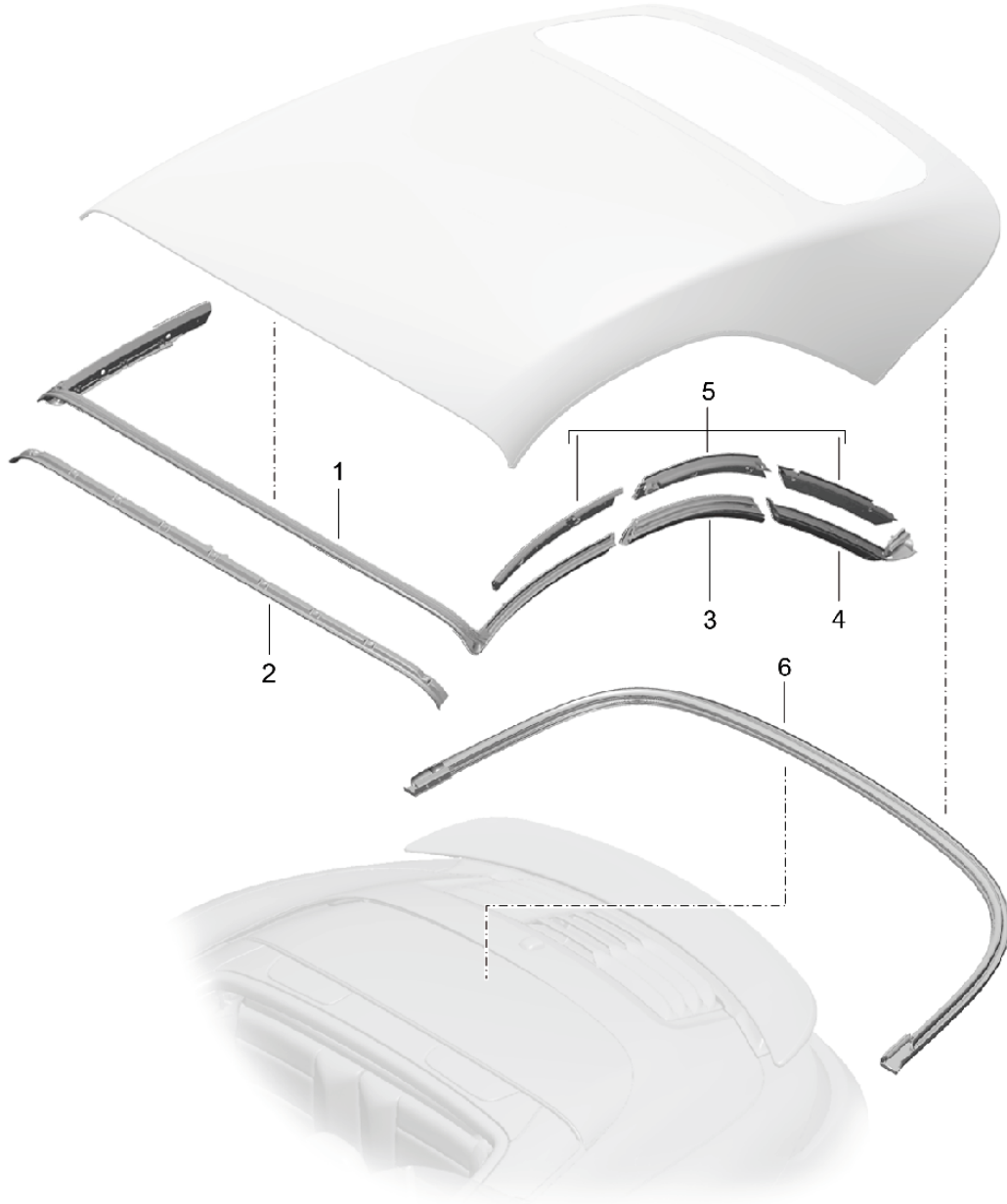
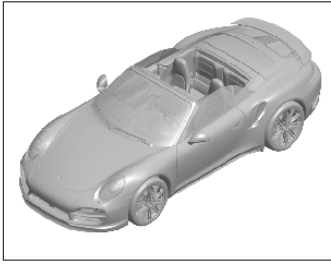
Model life 2014>>

Pos	Part Number	Description	Remark	Qty	Model
		top frame Individual parts and electrical components	side		Cabrio
1	991 561 211 00	top frame	left	1	
(1)	991 561 212 00	top frame	right	1	
2	991 561 967 00	Assembly kit top frame		1	
3	999 073 534 01	Bolt with washer M8X30		6	
4	991 561 715 00	Guide piece		2	
5	991 561 969 01	Wire set (complete)		1	
		with:			
		Potentiometer and Fasteners			
6	991 618 111 03	Control unit Convertible top control		1	
7	999 073 228 09	panel screw ST 4,8X13		2	
8	991 606 307 01	Potentiometer		1	



Model: 991T13

Model life 2014>>



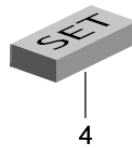
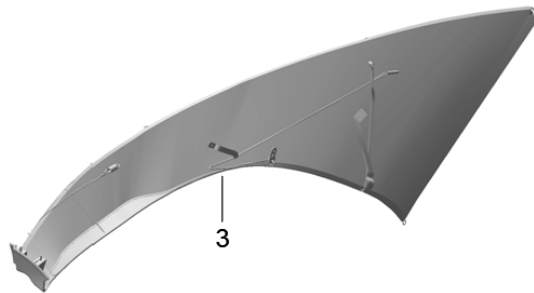
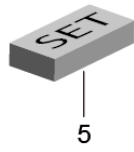
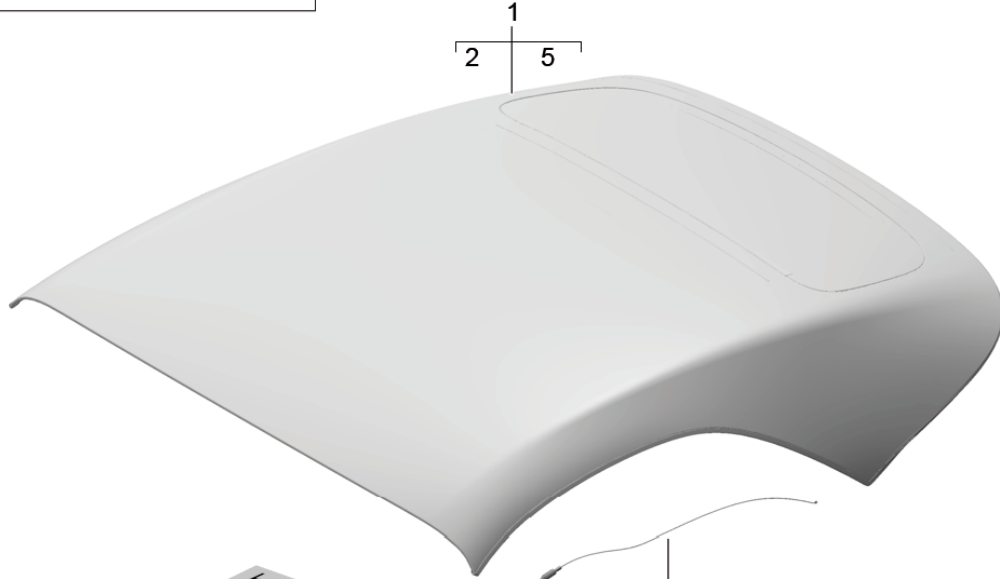
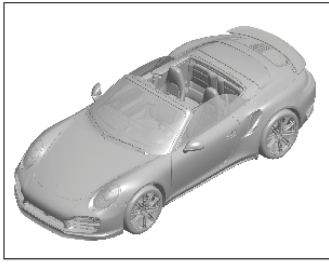
Model: 991T13

Model life 2014>>

Pos	Part Number	Description	Remark	Qty	Model
		Convertible top			Cabrio
		Seal			
1	991 561 951 00	roof frame seal		1	
2	991 561 959 00	retaining strip		1	
		with:			
		Fastening screw			
3	991 561 953 00	Seal	center	1	
			left		
(3)	991 561 954 00	Seal	center	1	
			right		
4	991 561 517 00	Seal	rear	1	
			left		
(4)	991 561 518 00	Seal	rear	1	
			right		
5	991 561 957 00	repair set	left	1	
		retaining strip			
		for			
		Seal			
(5)	991 561 958 00	repair set	right	1	
		retaining strip			
		for			
		Seal			
6	991 561 955 00	Seal	rear	1	
		with:	lower		
		Rivet			
		for			
		Roof arch			

Model: 991T13

Model life 2014>>



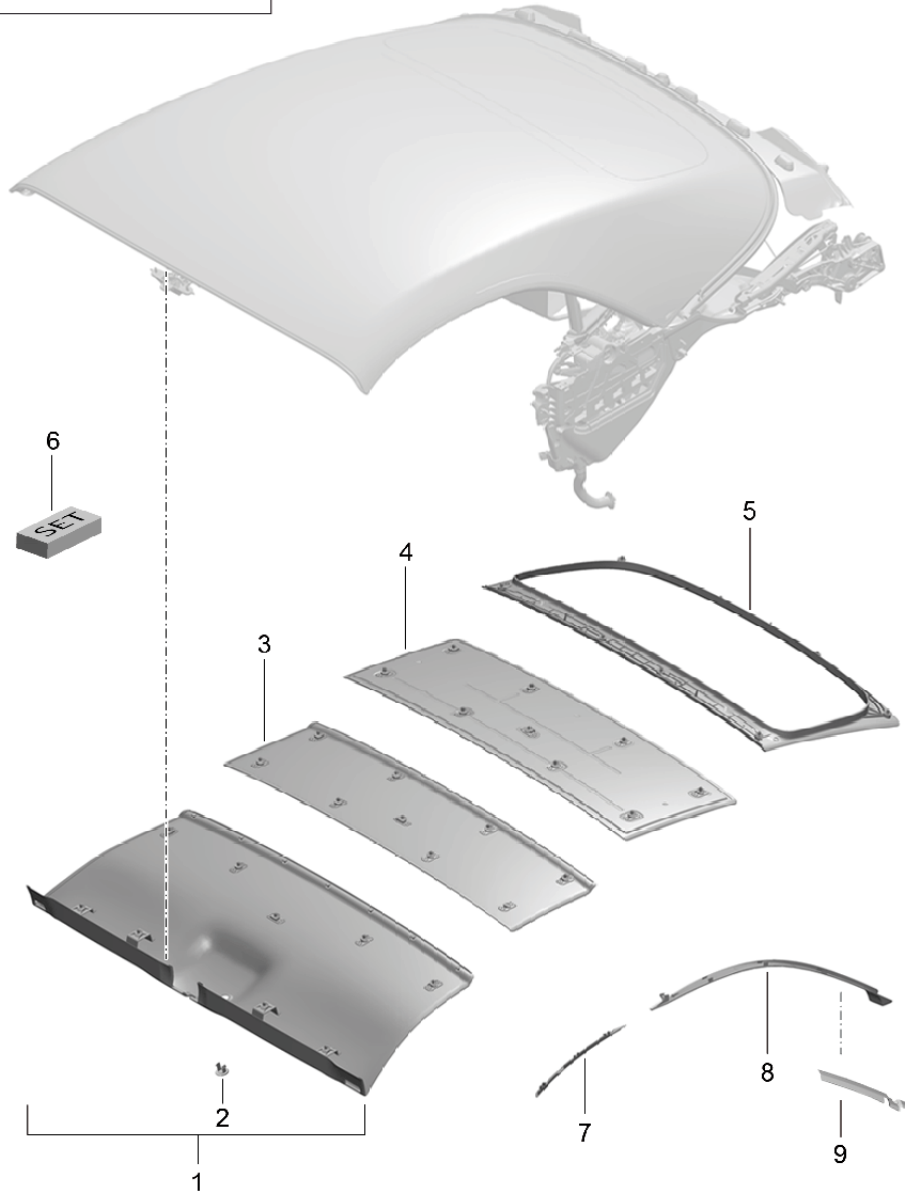
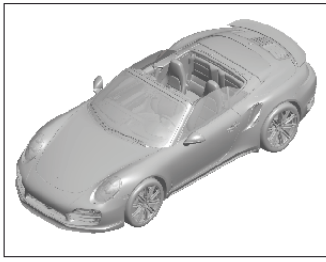
Model: 991T13

Model life 2014>>

Pos	Part Number	Description	Remark	Qty	Model
		Convertible top covering Roofliner			Cabrio
1	991 561 939 00	Convertible top covering with: Assembly kit		1	
	991 561 939 00 A10	Black			
	991 561 939 00 R17	brown			
	991 561 939 00 L02	red			
	991 561 939 00 G38	blue			
2	991 561 511 00	tension wire		2	
3	991 561 311 00	Moulded headliner	left	1	
	991 561 311 00 A26	Black			
(3)	991 561 312 00	Moulded headliner	right	1	
	991 561 312 00 A26	Black			
4	991 561 961 00	Assembly kit Roofliner		1	
5	991 561 968 01	Assembly kit Convertible top covering		1	

Model: 991T13

Model life 2014>>



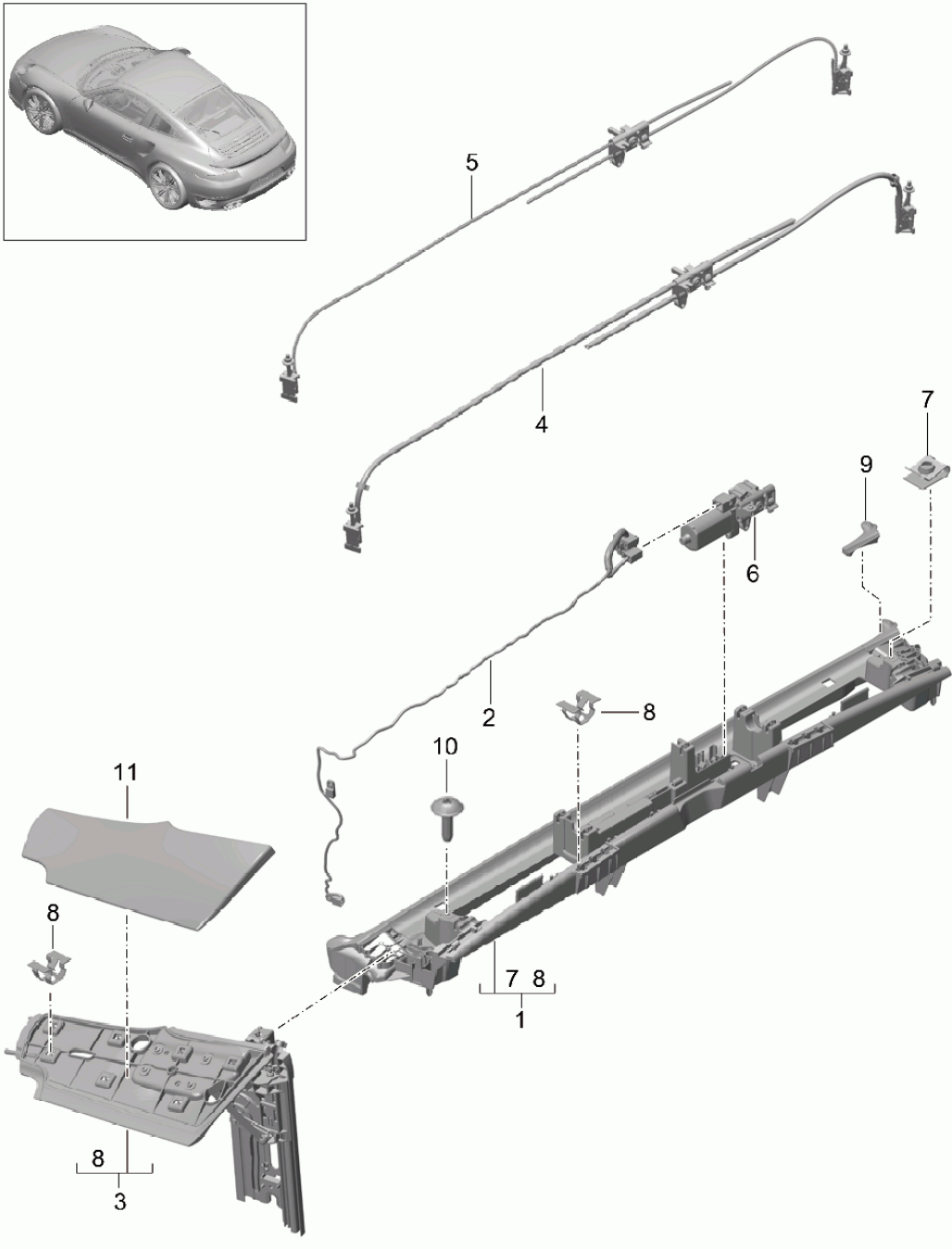
Model: 991T13

Model life 2014>>

Pos	Part Number	Description	Remark	Qty	Model
		Convertible top			Cabrio
1	991 561 313 01	Roofliner Roofliner roof frame		1	
2	991 561 313 01 A26 991 561 325 00	Black Bungs Emergency operation		1	
3	991 561 325 00 1E0 991 561 315 01	Black Roofliner Roof arch	front	1	
4	991 561 315 01 A26 991 561 317 01	Black Roofliner Roof arch	rear	1	
5	991 561 317 01 A26 991 561 319 00	Black Trim Rear window		1	
6	991 561 319 00 A26 991 561 963 01	Black Set of fastening parts Roofliner Content		1	
7	991 561 321 00 991 561 321 00 1E0	Clip trim for roof frame Black	left	10 1	
(7)	991 561 322 00 991 561 322 00 1E0	trim for roof frame Black	right	1	
8	991 561 323 00 991 561 323 00 1E0	Trim Guide Black	left	1	
(8)	991 561 324 00 991 561 324 00 1E0	Trim Guide Black	right	1	
9	991 561 327 00 991 561 328 00	Cover Guide Cover Guide	left	1	
(9)			right	1	

Model: 991T13

Model life 2014>>



Model: 991T13

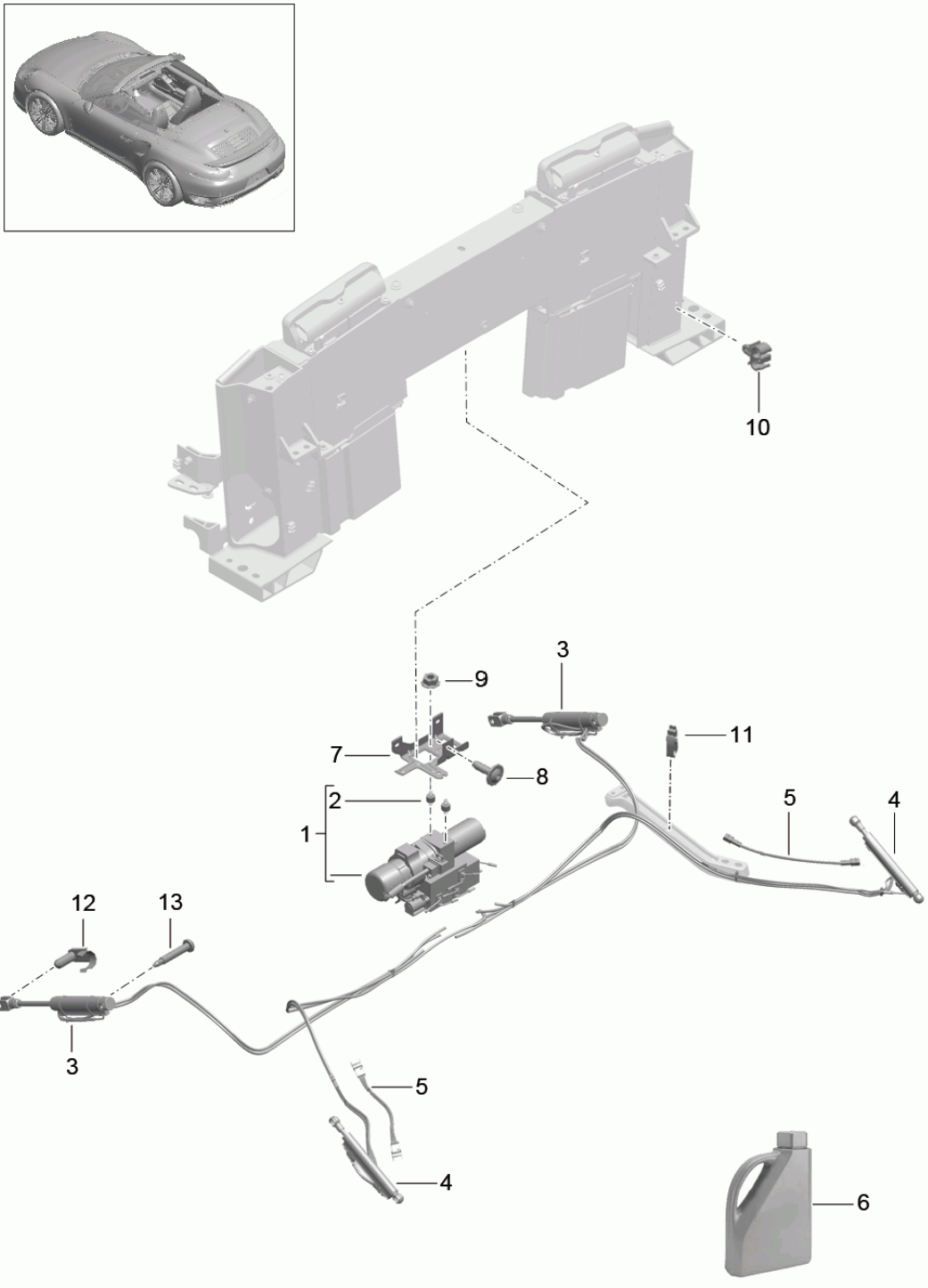
Model life 2014>>

Pos	Part Number	Description	Remark	Qty	Model
		Flap	side		Cabrio
1	991 561 479 00	Folding top		1	
	991 561 479 00 1E0	Bracket			
2	991 561 973 00	Black		1	
		repair set			
		Wire set			
3	991 561 975 00	repair set	left	1	
		Flap			
		(complete)			
(3)	991 561 976 00	repair set	right	1	
		Flap			
		(complete)			
4	991 561 977 00	repair set		1	
		guide tube			
		Actuator			
5	991 561 979 00	repair set		1	
		relay shaft			
6	991 624 115 00	Engine		1	
		with:			
		Fastening screw			
7	999 507 033 01	panel nut		2	
8	999 507 533 02	Clamp		X	
9	991 561 871 00	Rubber support	left	1	
		angled bracket			
		Windbreak			
(9)	991 561 872 00	Rubber support	right	1	
		angled bracket			
		Windbreak			
10	999 073 322 02	fillister hd. bolt		11	
11		Trim		1	
		Flap			
		see illustration:	807-035		



Model: 991T13

Model life 2014>>



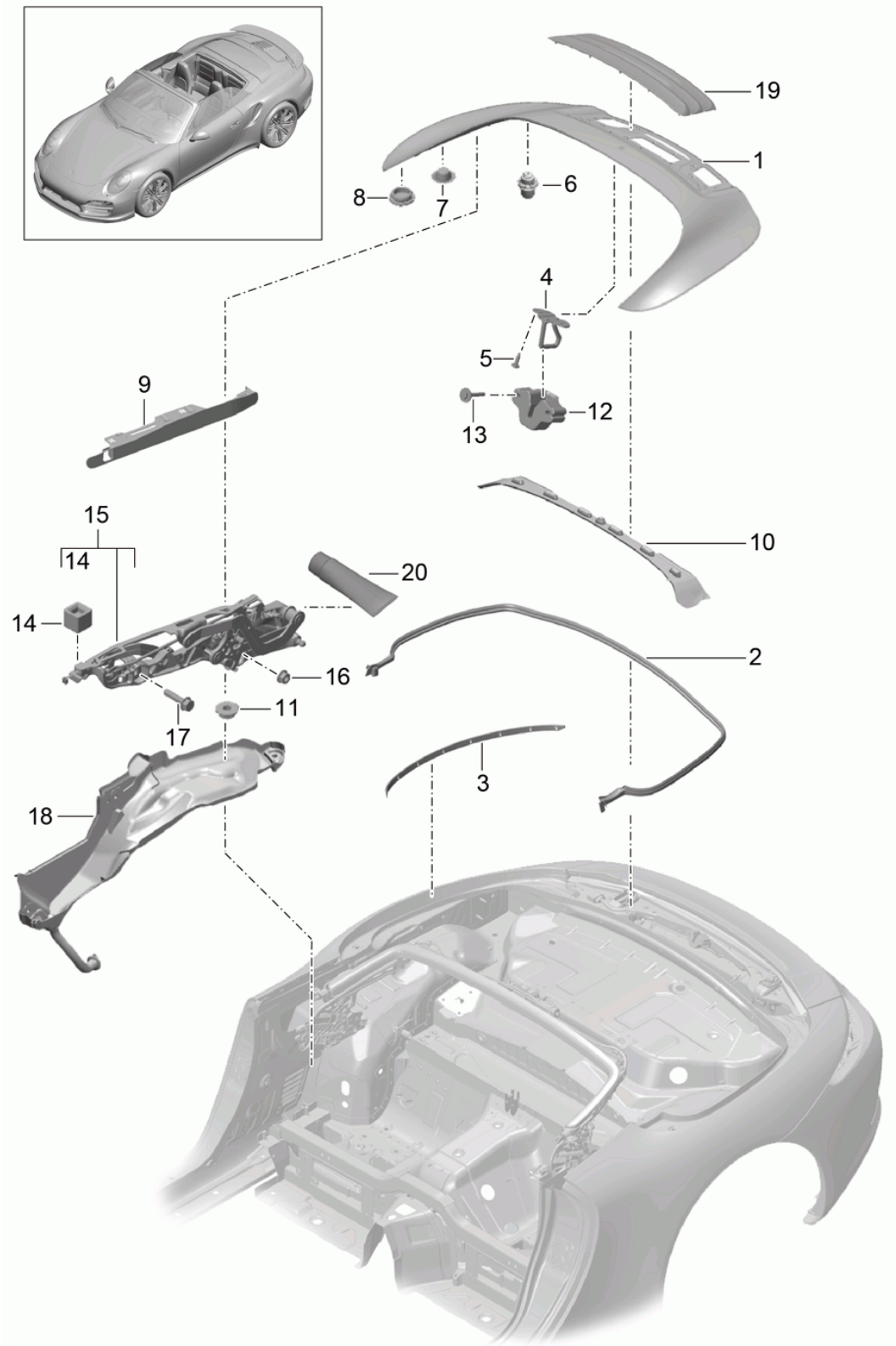
Model: 991T13

Model life 2014>>

Pos	Part Number	Description	Remark	Qty	Model
		Convertible top Driving mechanism			Cabrio
1	991 561 901 00	Hydraulic unit		1	
2	991 561 902 00	Set Bonded rubber buffer		1	
3	991 561 421 00	Hydraulic unit cylinder Convertible top	left	1	
		with:			
(3)	991 561 422 00	Hydraulic line cylinder Convertible top	right	1	
		with:			
4	991 561 423 01	Hydraulic line cylinder Cover convertible top stowage box	left	1	
		with:			
(4)	991 561 424 01	Hydraulic line cylinder Cover convertible top stowage box	right	1	
		with:			
5	991 606 321 01	Hydraulic line Hall sensor cylinder Cover convertible top stowage box	left	1	
(5)	991 606 324 01	Hall sensor cylinder Cover convertible top stowage box	right	1	
6	000 043 204 89	Oil		1	
7	991 561 617 00	Bracket		1	
8	999 073 322 02	Hydraulic unit fillister hd. bolt M6X20		X	
9	900 377 010 01	Hexagon nut M6		2	
10	999 507 799 40	Cable holder		X	
11	999 513 076 40	Cable ties 1,5-85		2	
12	999 166 094 01	Pin 10X20		2	
13	991 561 811 00	Threaded stud		2	

Model: 991T13

Model life 2014>>



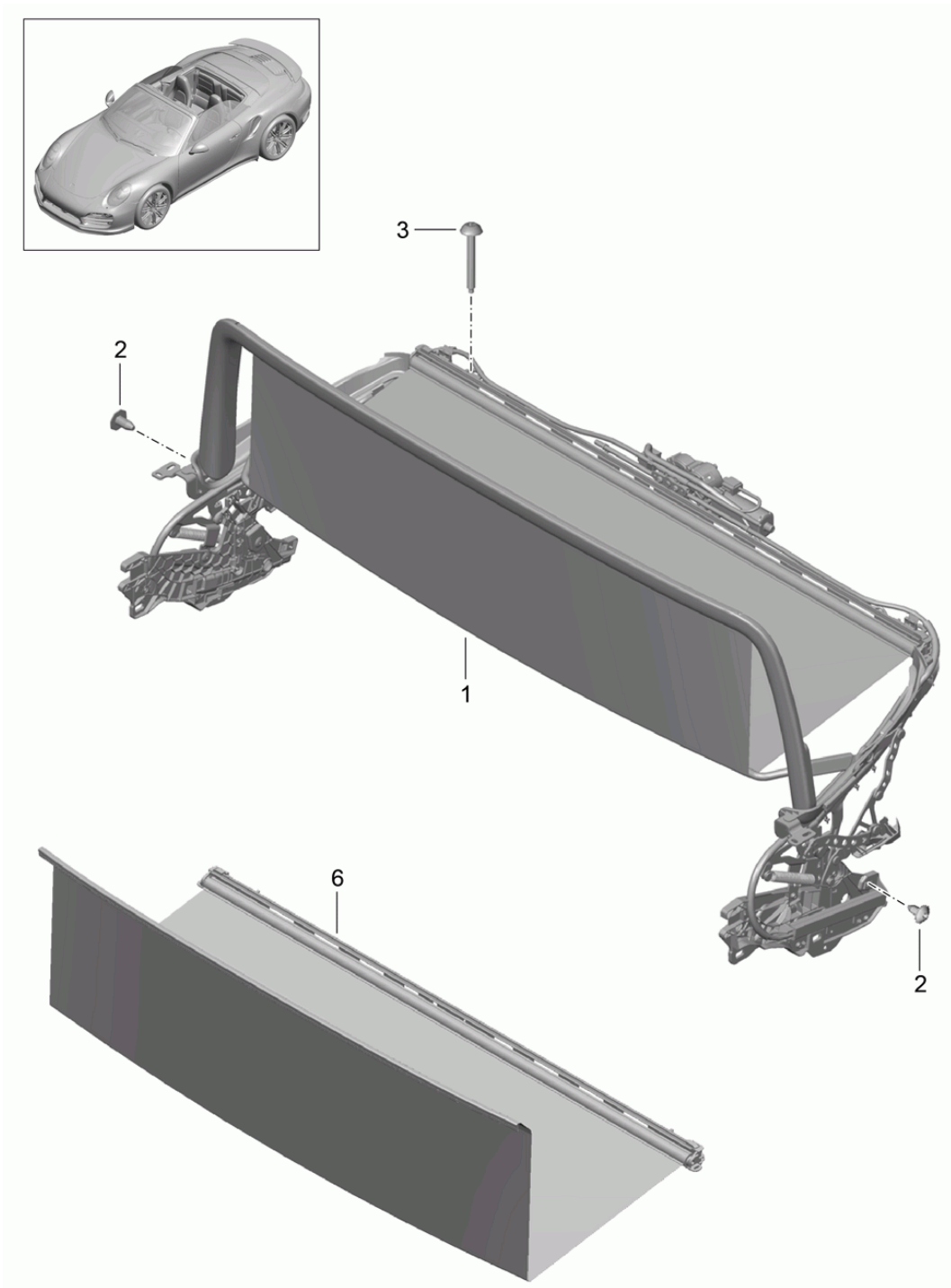
Model: 991T13

Model life 2014>>

Pos	Part Number	Description	Remark	Qty	Model
		convertible top stowage box Cover			Cabrio
1	991 514 011 03	cabrio top stowage box cover		1	PR:-686,-690
	991 514 011 03 GRV	primed			
(1)	991 514 011 04	cabrio top stowage box cover		1	PR:686,690
	991 514 011 04 GRV	primed			
2	991 514 611 00	Seal Body		1	
3	991 514 631 01	Additional gasket	side left	1	
(3)	991 514 632 01	Additional gasket	side right	1	
4		Lock upper part see illustration:	803-005	1	
5	999 073 378 02	flat round head bolt		2	
6	991 514 691 01	throttle control element		2	
7	999 703 462 40	End cap		4	
8	999 703 421 40	Grommet		4	
9	991 561 879 00	Hinge cover	left	1	
(9)	991 561 880 00	Hinge cover	right	1	
10	991 561 633 01	Foam part		1	
11	999 076 066 09	Hexagon nut M6		4	
12	991 561 673 01	Centring piece		1	
13	900 075 504 01	Bolt with washer M6X45		2	
14	991 561 677 00	Stop buffer Hinge		2	
15	991 561 907 01	Hinge	left	1	
(15)	991 561 908 01	Hinge	right	1	
16	900 377 003 03	Hexagon nut M8		4	
17	N 106 756 02	Hex collared bolt M8X35		2	
18	991 561 805 02	Water drip pan	left	1	
(18)	991 561 806 02	Water drip pan	right	1	
19		Ventilation grille see illustration:	803-005	1	
20	000 043 206 65	Grease 1 tube for Hinge		1	

Model: 991T13

Model life 2014>>



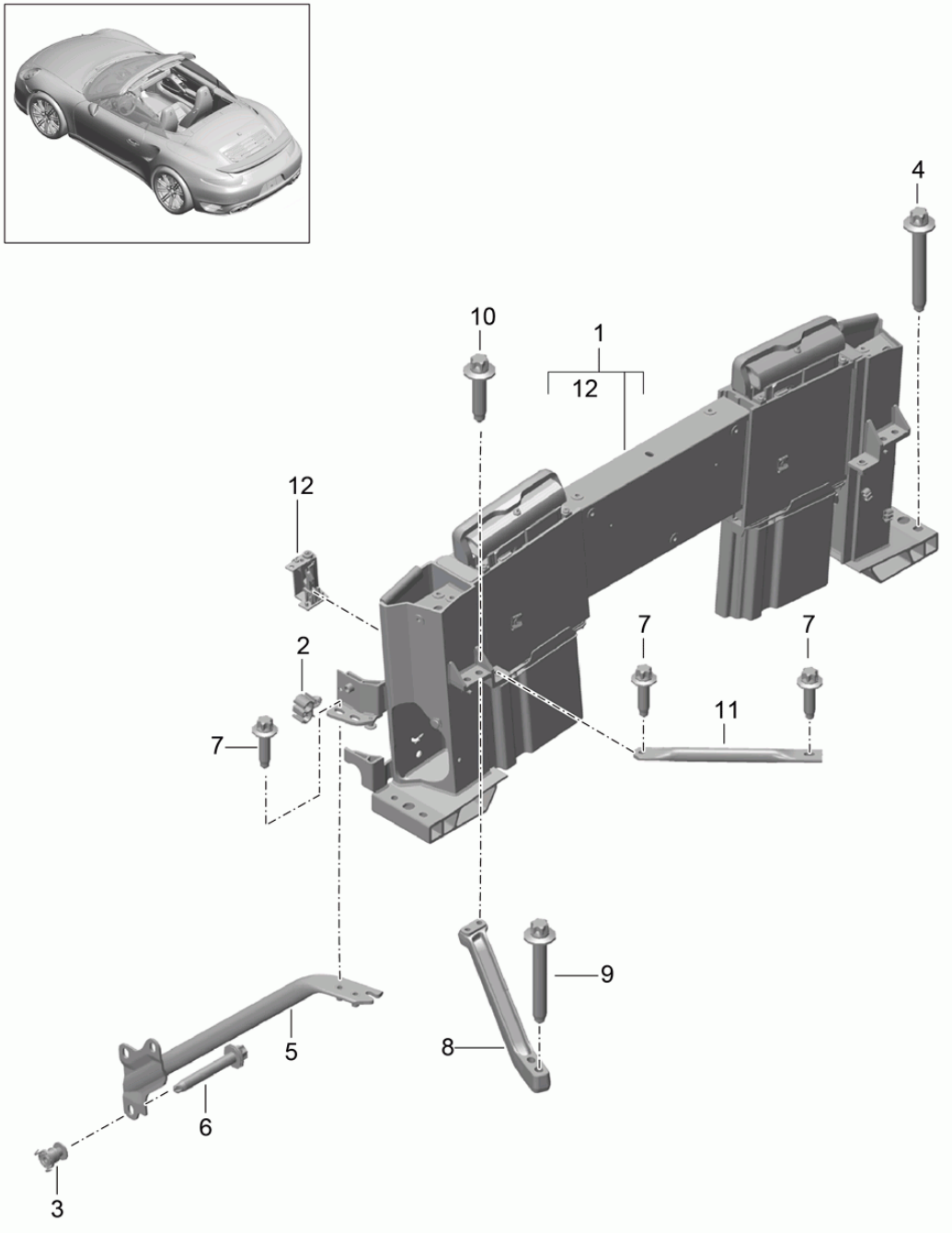
Model: 991T13

Model life 2014>>

Pos	Part Number	Description	Remark	Qty	Model
		Windbreak Electric			PR:552
1	991 561 125 03	Windbreak (complete)		1	
	991 561 125 03 1E0	Black			
2	999 073 322 02	fillister hd. bolt M6X20		4	
3	999 073 478 01	fillister hd. bolt M6X50		2	
6	991 561 931 00	repair set roller blind		1	

Model: 991T13

Model life 2014>>



Model: 991T13

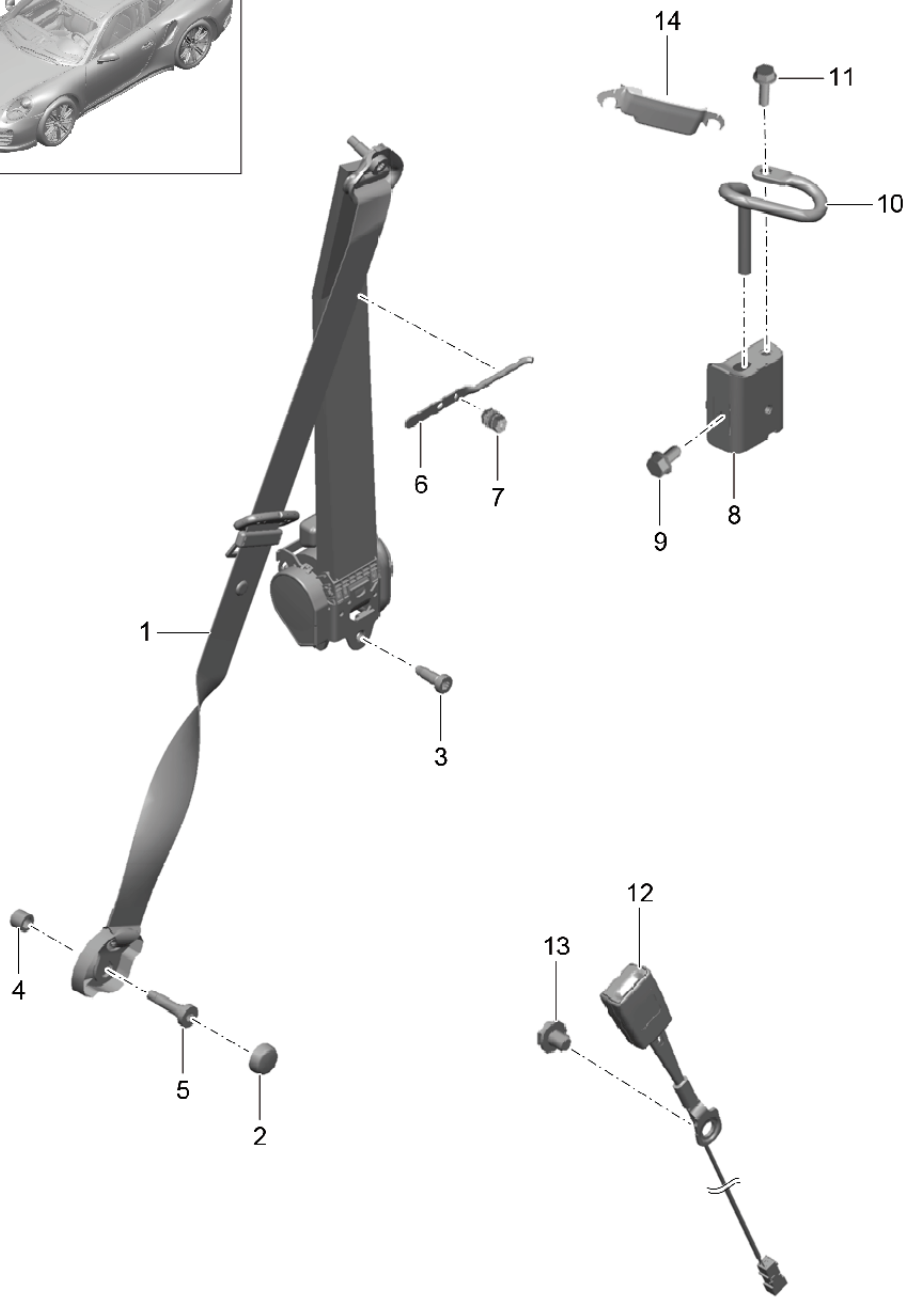
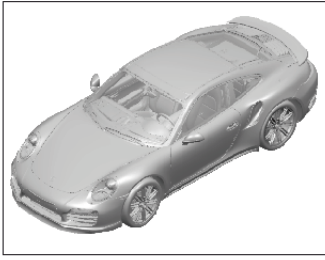
Model life 2014>>

Pos	Part Number	Description	Remark	Qty	Model
1	991 580 011 05	roll bar retaining frame		1	Cabrio
		with:			
		Ignition for Cassette			
2	999 507 799 40	Cable holder		6	
3	991 580 353 00	compensation washer		2	
4	900 385 159 01	Hexagon head bolt M10 X 70		4	
5	991 580 351 00	Brace	left front	1	
(5)	991 580 352 00	Brace	right front	1	
6	900 385 166 01	Outer hexagon round screw M8 X 55		2	
7	900 385 278 01	Outer hexagon round screw M8 X 30		8	
8	991 580 331 00	Support	left	1	
(8)	991 580 332 00	Support	right	1	
9	900 385 159 01	Hexagon head bolt M10 X 70		4	
10	900 385 285 01	Outer hexagon round screw M10 X 40		4	
11	991 580 341 00	Brace	rear	2	
12	991 580 921 00	repair set Ignition Cassette		1	



Model: 991T13

Model life 2014>>



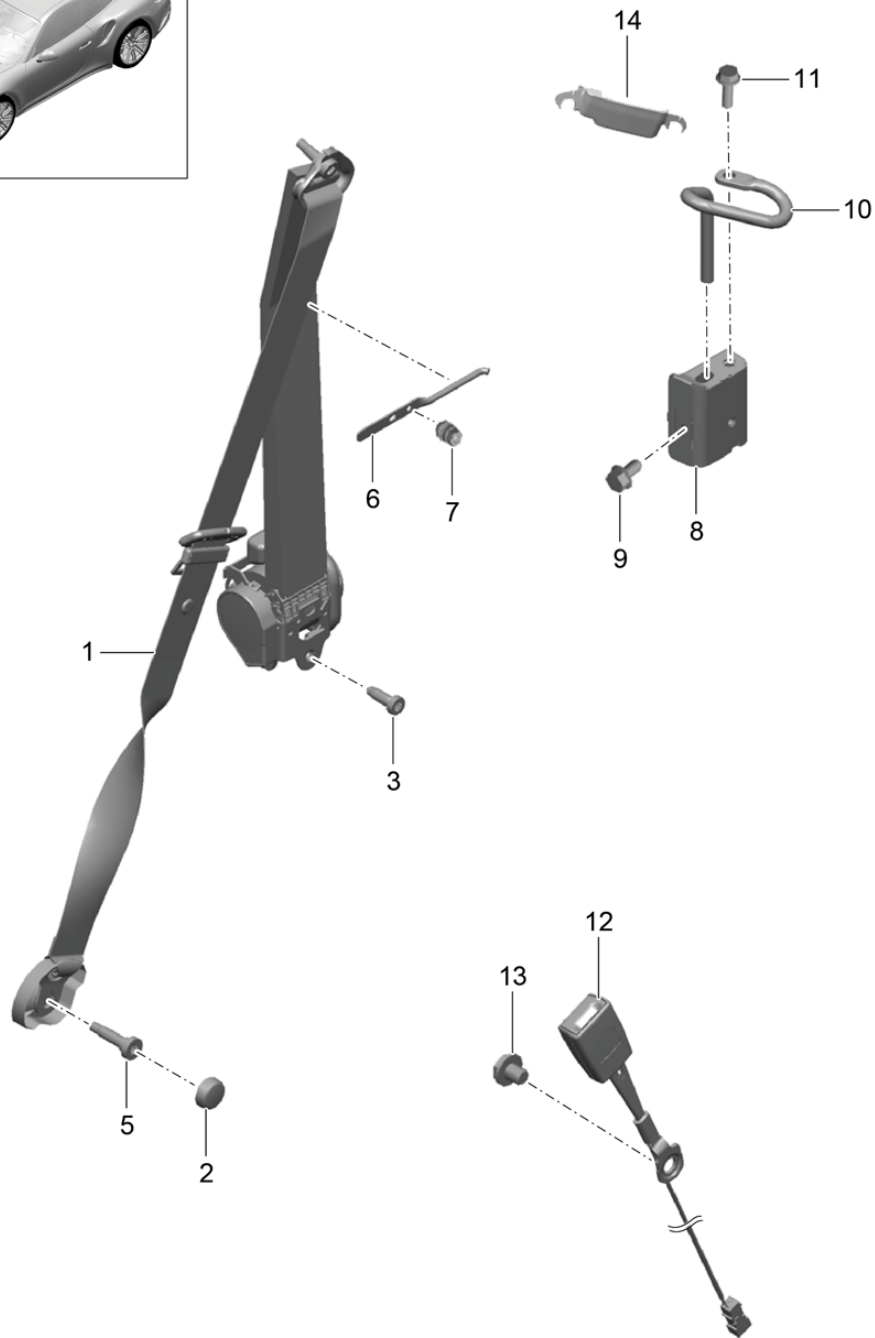
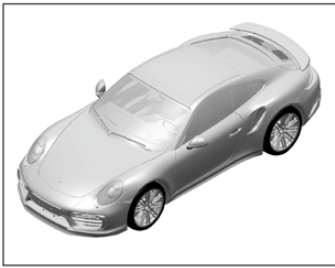
Model: 991T13

Model life 2014>>

Pos	Part Number	Description	Remark	Qty	Model
1	991 803 033 00	Seat belt D >> - MJ 2016 Three-point safety belt Discontinued part	front	2	COUPE
	991 803 033 00 A23	Black			
	991 803 033 00 1S1	Racing Yellow			
	991 803 033 00 62S	Luxor beige			
	991 803 033 00 2L0	yachting blue			
	991 803 033 00 U01	silver			
	991 803 033 00 N13	guards red (Porsche)			
(1)	991 803 033 05	Three-point safety belt	left	1	CABRIO
	991 803 033 05 A23	Black			
	991 803 033 05 1S1	Racing Yellow			
	991 803 033 05 62S	Luxor beige			
	991 803 033 05 2L0	yachting blue			
	991 803 033 05 U01	silver			
	991 803 033 05 N13	guards red (Porsche)			
(1)	991 803 034 04	Three-point safety belt	right	1	CABRIO
	991 803 034 04 A23	Black			
	991 803 034 04 1S1	Racing Yellow			
	991 803 034 04 62S	Luxor beige			
	991 803 034 04 2L0	yachting blue			
	991 803 034 04 U01	silver			
	991 803 034 04 N13	guards red (Porsche)			
2	991 803 295 00	Cover cap		2	
3	N 989 261 02	Socket head bolt with inner multipoint head 7/16-20UNF		2	
4	999 924 064 03	spacer bush		2	
5	999 510 048 01	Socket head bolt 7/16-20UNF		2	
6	991 803 825 01	Deflection angle Belt		2	COUPE
7	999 516 032 01	Hexagon nut Mount Deflection angle		2	
8	991 803 581 00	Support	left	1	CABRIO
(8)	991 803 582 00	Support	right	1	CABRIO
9	900 378 074 01	Hexagon bolt M8X16		2	CABRIO
10	991 803 815 01	Deflection angle	left	1	CABRIO
(10)	991 803 816 01	Deflection angle	right	1	CABRIO
11	N 106 296 02	Hex collared bolt M10X35		2	CABRIO
12	991 803 183 00	Belt latch (drivers side)	lhd	1	PR:098
(12)	991 803 183 05	Belt latch (passenger side)	rhd	1	PR:099
(12)	991 803 184 06	Belt latch (passenger side)	lhd	1	PR:098,-560
(12)	991 803 184 02	Belt latch (drivers side)	rhd	1	PR:099
13	999 218 101 02	Hexagon bolt 7/16-20UNF Mount		2	
14	991 803 835 01	Belt latch Guide	left	1	
(14)	991 803 836 01	Seat belt Guide Seat belt	right	1	

Model: 991T13

Model life 2014>>



Model: 991T13

Model life 2014>>

Pos	Part Number	Description	Remark	Qty	Model
1	991 803 033 04	Three-point safety belt D - MJ 2017>> Three-point safety belt	front	2	Coupe PR:-560
	991 803 033 04 M5C	miami blue			PR:XHY
	991 803 033 04 A23	Black			PR:555
	991 803 033 04 1S1	Racing Yellow			PR:XHN
	991 803 033 04 62S	Luxor beige			PR:XHP
	991 803 033 04 OG6	Bordeaux red			PR:XHU
	991 803 033 04 U01	silver			PR:XSH
	991 803 033 04 N13	guards red (Porsche)			PR:XSX
	991 803 033 04 OL8	Chalk			PR:XHX
(1)	991 803 033 05	Three-point safety belt	left	1	Cabrio PR:-560
	991 803 033 05 M5C	miami blue			PR:XHY
	991 803 033 05 A23	Black			PR:555
	991 803 033 05 1S1	Racing Yellow			PR:XHN
	991 803 033 05 62S	Luxor beige			PR:XHP
	991 803 033 05 OG6	Bordeaux red			PR:XHU
	991 803 033 05 U01	silver			PR:XSH
	991 803 033 05 N13	guards red (Porsche)			PR:XSX
	991 803 033 05 OL8	Chalk			PR:XHX
(1)	991 803 034 04	Three-point safety belt	right	1	Cabrio PR:-560
	991 803 034 04 M5C	miami blue			PR:XHY
	991 803 034 04 A23	Black			PR:555
	991 803 034 04 1S1	Racing Yellow			PR:XHN
	991 803 034 04 62S	Luxor beige			PR:XHP
	991 803 034 04 OG6	Bordeaux red			PR:XHU
	991 803 034 04 U01	silver			PR:XSH
	991 803 034 04 N13	guards red (Porsche)			PR:XSX
	991 803 034 04 OL8	Chalk			PR:XHX
2	991 803 295 00	Cover cap		2	
3	N 989 261 02	Socket head bolt with inner multipoint head 7/16-20UNF		2	
5	N 989 258 01	Socket head bolt with inner multipoint head 7/16-20UNF		2	PR:-388
(5)	999 075 057 09	Hexagon bolt 7/16-20UNF		2	PR:388,-553
6	991 803 825 01	Deflection angle Belt		2	Coupe
7	999 516 032 01	Hexagon nut Mount Deflection angle		2	Coupe
8	991 803 581 00	Support	left	1	Cabrio
(8)	991 803 582 00	Support	right	1	Cabrio
9	900 378 074 01	Hexagon bolt M8X16		2	Cabrio
10	991 803 815 01	Deflection angle	left	1	Cabrio
(10)	991 803 816 01	Deflection angle	right	1	Cabrio
11	N 106 296 02	Hex collared bolt M10X35		2	Cabrio
12	991 803 183 00	Belt latch (drivers side)	left	1	PR:098
(12)	991 803 184 06	Belt latch (passenger side)	right	1	PR:098,-560
(12)	991 803 183 05	Belt latch (passenger side)	left	1	PR:099
(12)	991 803 184 02	Belt latch (drivers side)	right	1	PR:099
13	999 218 101 02	Hexagon bolt		2	

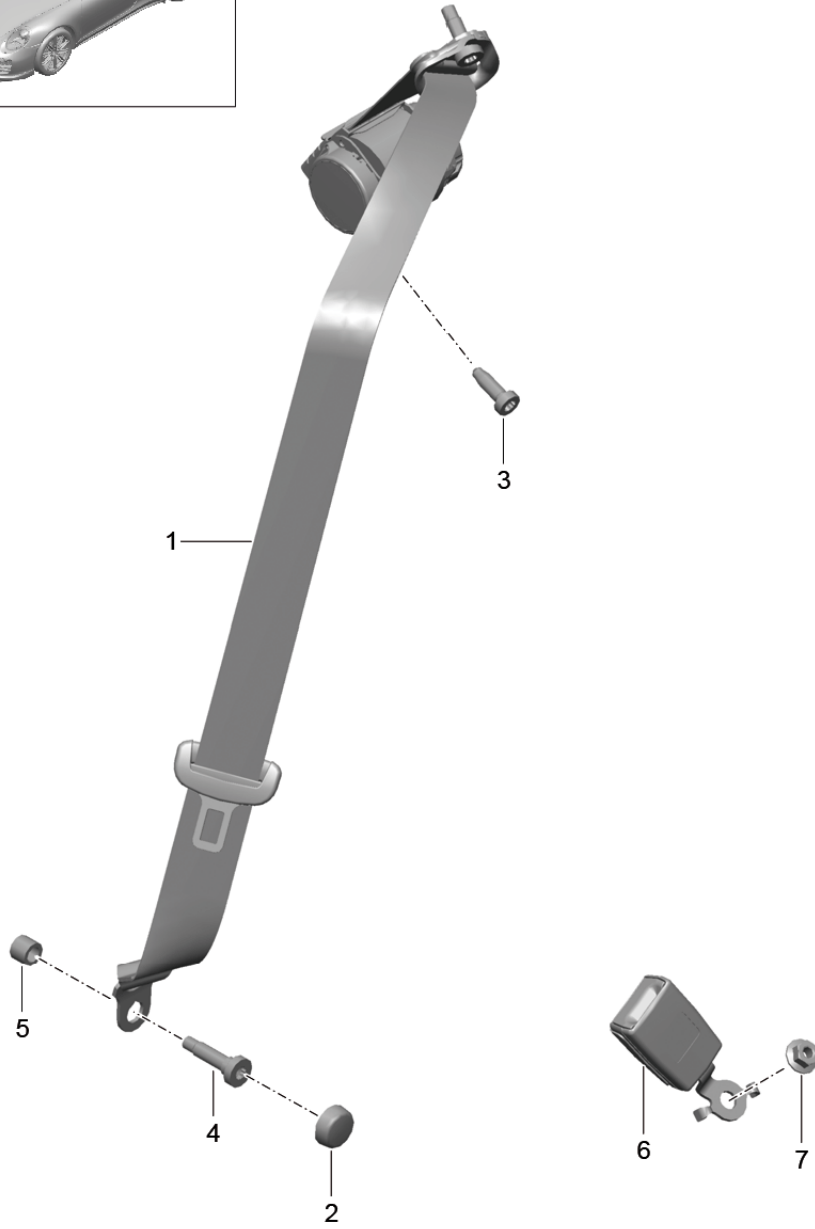
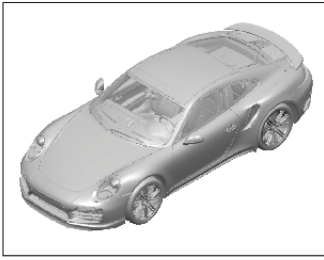
Model: 991T13

Model life 2014>>

Pos	Part Number	Description	Remark	Qty	Model
14	991 803 835 01	7/16-20UNF Mount Belt latch Guide	left	1	
(14)	991 803 836 01	Seat belt Guide Seat belt	right	1	

Model: 991T13

Model life 2014>>



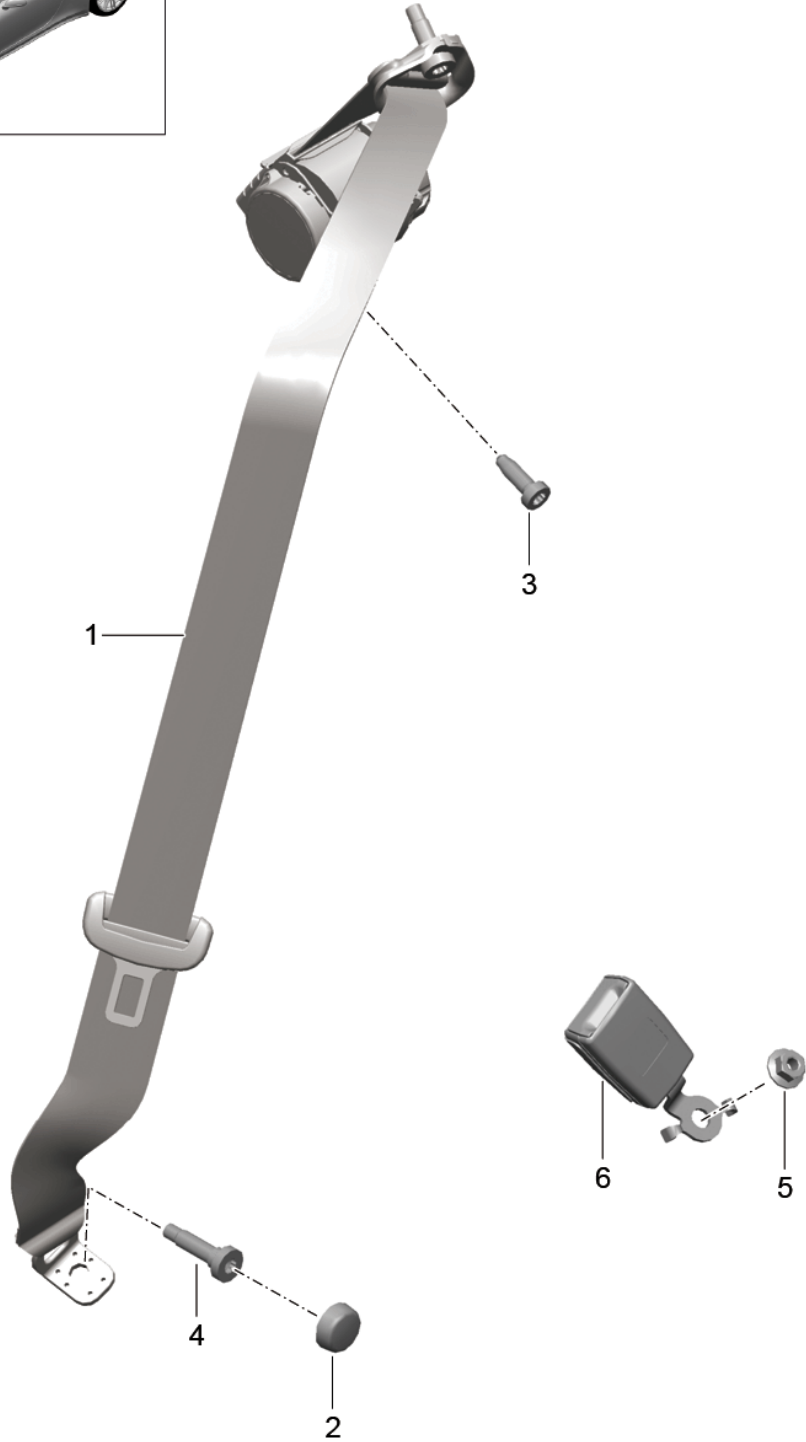
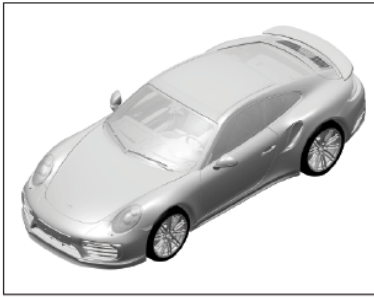
Model: 991T13

Model life 2014>>

Pos	Part Number	Description	Remark	Qty	Model
1	991 803 035 00	Seat belt D >> - MJ 2014 Three-point safety belt	rear	2	Coupe
	991 803 035 00 A23	Black			
	991 803 035 00 1S1	Racing Yellow			
	991 803 035 00 62S	Luxor beige			
	991 803 035 00 2L0	yachting blue			
	991 803 035 00 U01	silver			
	991 803 035 00 N13	guards red (Porsche)			
(1)	991 803 035 06	Three-point safety belt	left	1	Cabrio
	991 803 035 06 A23	Black			
	991 803 035 06 1S1	Racing Yellow			
	991 803 035 06 62S	Luxor beige			
	991 803 035 06 2L0	yachting blue			
	991 803 035 06 U01	silver			
	991 803 035 06 N13	guards red (Porsche)			
(1)	991 803 036 04	Three-point safety belt	right	1	Cabrio
	991 803 036 04 A23	Black			
	991 803 036 04 1S1	Racing Yellow			
	991 803 036 04 62S	Luxor beige			
	991 803 036 04 2L0	yachting blue			
	991 803 036 04 U01	silver			
	991 803 036 04 N13	guards red (Porsche)			
2	991 803 295 00	Cover cap		2	
3	N 989 261 02	Socket head bolt with inner multipoint head 7/16-20UNF		2	
4	999 510 048 01	Socket head bolt 7/16-20UNF		2	
5	999 924 064 01	spacer sleeve		2	
6	991 803 185 00	Belt latch	left	1	
(6)	991 803 186 00	Belt latch	right	1	
7	N 910 262 01	Hexagon collar nut M10		2	

Model: 991T13

Model life 2014>>





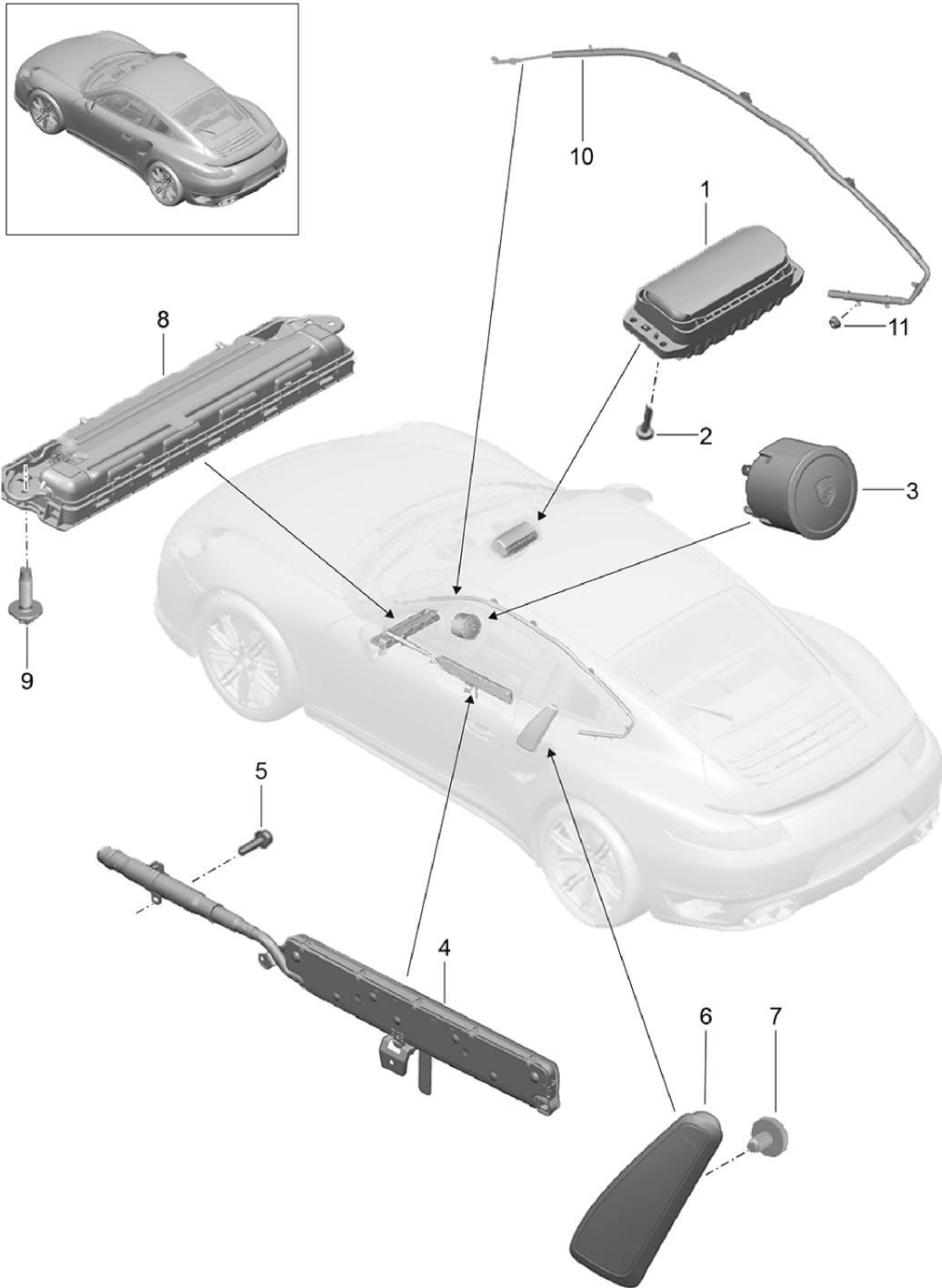
Model: 991T13

Model life 2014>>

Pos	Part Number	Description	Remark	Qty	Model
		Three-point safety belt D - MJ 2015>>	rear		
1	991 803 035 04	Three-point safety belt		2	Coupe
	991 803 035 04 M5C	miami blue			PR:XHY
	991 803 035 04 A23	Black			PR:555
	991 803 035 04 1S1	Racing Yellow			PR:XHN
	991 803 035 04 62S	Luxor beige			PR:XHP
	991 803 035 04 OG6	Bordeaux red			PR:XHU
	991 803 035 04 U01	silver			PR:XSH
	991 803 035 04 N13	guards red (Porsche)			PR:XSX
	991 803 035 04 OL8	Chalk			PR:XHX
(1)	991 803 035 09	Three-point safety belt	left	2	Cabrio
	991 803 035 09 M5C	miami blue			PR:XHY
	991 803 035 09 A23	Black			PR:555
	991 803 035 09 1S1	Racing Yellow			PR:XHN
	991 803 035 09 62S	Luxor beige			PR:XHP
	991 803 035 09 OG6	Bordeaux red			PR:XHU
	991 803 035 09 U01	silver			PR:XSH
	991 803 035 09 N13	guards red (Porsche)			PR:XSX
	991 803 035 09 OL8	Chalk			PR:XHX
(1)	991 803 036 06	Three-point safety belt	right	2	Cabrio
	991 803 036 06 M5C	miami blue			PR:XHY
	991 803 036 06 A23	Black			PR:555
	991 803 036 06 1S1	Racing Yellow			PR:XHN
	991 803 036 06 62S	Luxor beige			PR:XHP
	991 803 036 06 OG6	Bordeaux red			PR:XHU
	991 803 036 06 U01	silver			PR:XSH
	991 803 036 06 N13	guards red (Porsche)			PR:XSX
	991 803 036 06 OL8	Chalk			PR:XHX
2	991 803 295 00	Cover cap		2	
3	N 989 261 02	Socket head bolt with inner multipoint head		2	
		7/16-20UNF			
4	N 989 258 01	Socket head bolt with inner multipoint head		2	
		7/16-20UNF			
5	N 910 262 01	Hexagon collar nut M10		2	
6	991 803 185 00	Belt latch	left	1	
(6)	991 803 186 00	Belt latch	right	1	

Model: 991T13

Model life 2014>>



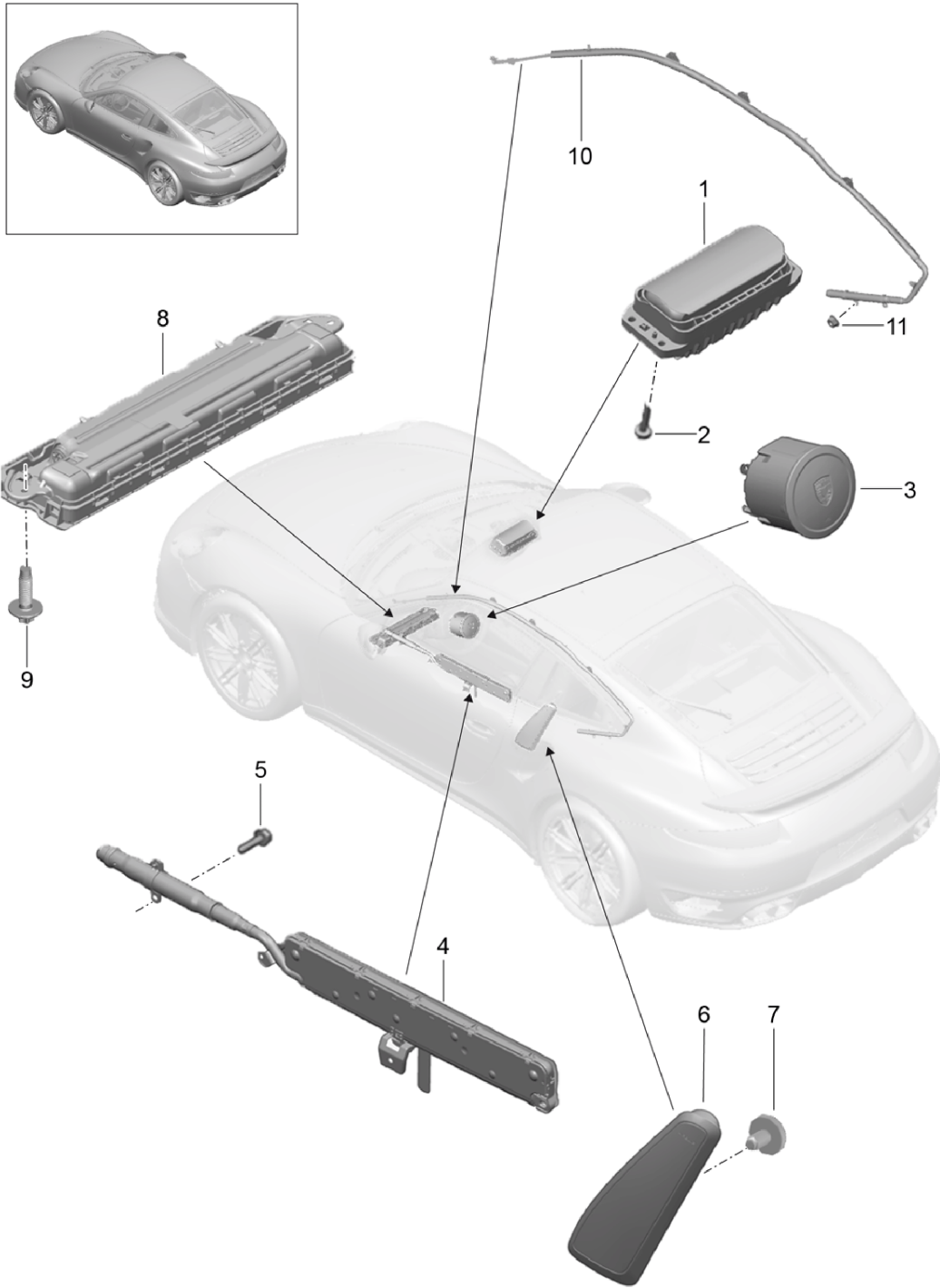
Model: 991T13

Model life 2014>>

Pos	Part Number	Description	Remark	Qty	Model			
1	991 803 071 00	Airbag D >> - MJ 2016 Airbag unit (passenger side)		1				
2	N 911 859 01	Hexagon socket flat head bolt Airbag unit (passenger side)		4				
3	991 803 089 04	Airbag unit (drivers side)		1				
(3)	991 803 089 04 5Q0	Black		1	PR:991			
	991 803 089 05	Airbag unit (drivers side) Leather Discontinued part						
	991 803 089 05 A34	Black	-AZ, BR, BL, BA, BQ, 99					
(3)	991 803 089 05 N14	Carrera Red	-NG	1	PR:991			
	991 803 089 05 OE5	agate grey	-DK, BV					
	991 803 089 05 6H6	Espresso	-NE, BH					
	991 803 089 05 7M9	yachting blue	-EZ					
	991 803 089 05 9J9	Luxor beige	-UZ					
	991 803 089 05 8T3	Platinum Grey	-CZ					
	991 803 089 07	Airbag unit (drivers side) Leather D >> - MJ 2016 Discontinued part						
	991 803 089 07 A34	Black	-AZ, BR, BL, BA, BQ, 99					
	991 803 089 07 N14	Carrera Red	-NG					
	991 803 089 07 OE5	agate grey	-DK, BV					
4	991 803 089 07 6H6	Espresso	-NE, BH	1				
	991 803 089 07 7M9	yachting blue	-EZ					
	991 803 089 07 9J9	Luxor beige	-UZ					
	991 803 089 07 8T3	Platinum Grey	-CZ					
	991 803 091 01	Head airbag unit Door	left					
	(4)	991 803 092 01	Head airbag unit Door			right		
	5	N 911 087 01	Hexagon collared bolt with multi-point socket head (duo) M6X25				4	
	6	991 803 081 01	Side airbag unit Seat			left	1	
		991 803 081 01 5Q0	Black					
		991 803 081 01 D20	silver grey metallic					
991 803 081 01 OE1		Carrera Red						
991 803 081 01 6W0		Luxor beige						
(6)		991 803 082 01	Side airbag unit Seat	right				
7	991 803 082 01 5Q0	Black		1				
	991 803 082 01 D20	silver grey metallic						
	991 803 082 01 OE1	Carrera Red						
	991 803 082 01 6W0	Luxor beige						
	7	999 073 306 09	Screw Side airbag unit Seat M6X10				4	

Model: 991T13

Model life 2014>>



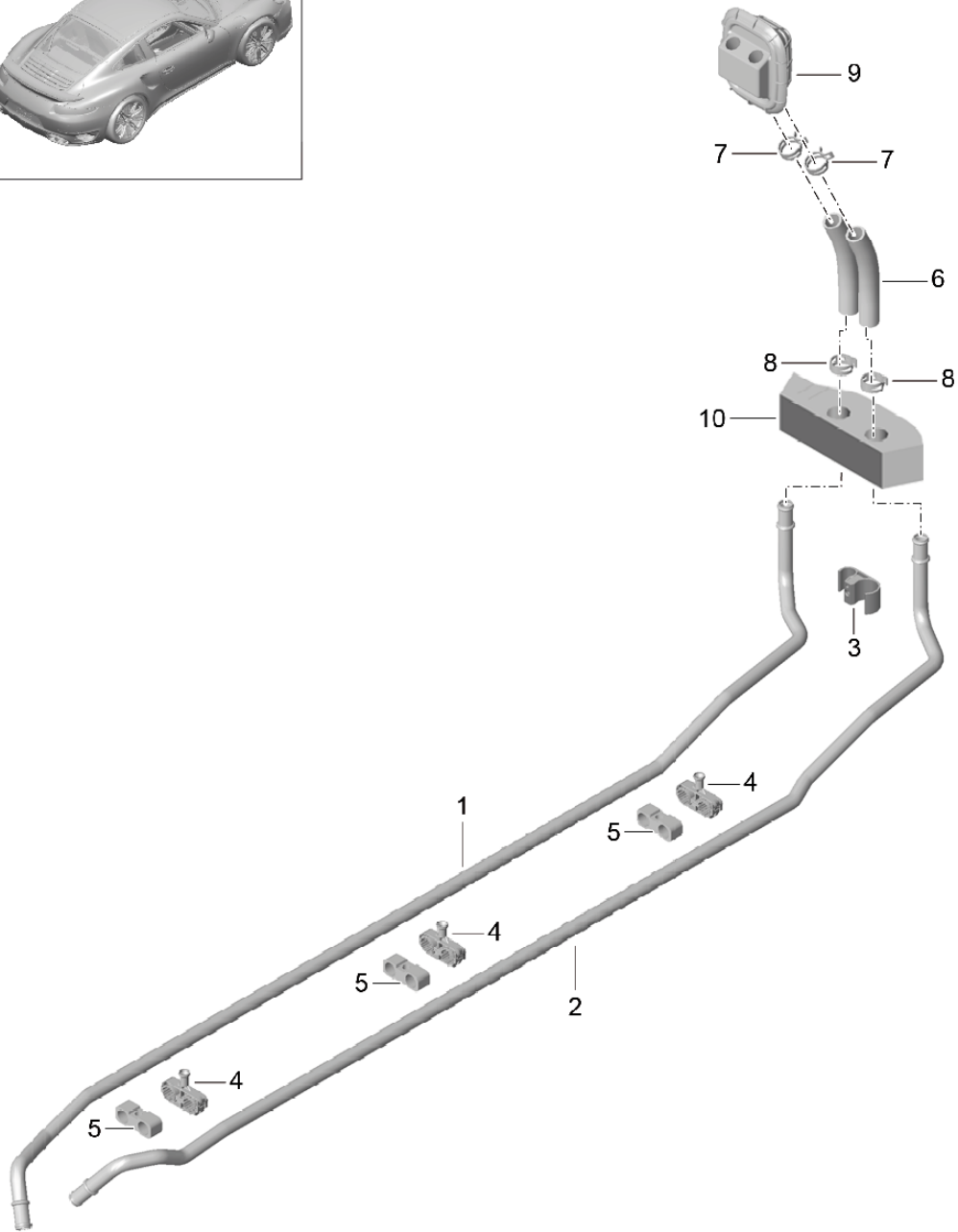
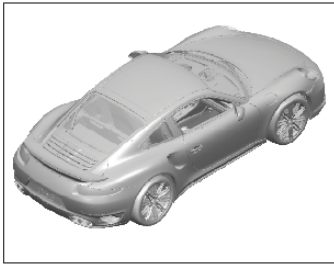
Model: 991T13

Model life 2014>>

Pos	Part Number	Description	Remark	Qty	Model
1	991 803 071 00	Airbag D - MJ 2017>> Airbag unit (passenger side)		1	
2	N 911 859 01	Hexagon socket flat head bolt		4	
3	9P1 880 201 M	Airbag unit (passenger side)		1	PR:991
	9P1 880 201 M	Airbag unit (drivers side)		1	PR:991
	9P1 880 201 M A34	Leather Black	-AZ, BT, BM, TD		
	9P1 880 201 M OE5	agate grey	-FZ		
	9P1 880 201 M OH7	Graphite Blue	-HZ, BG, TG		
	9P1 880 201 M OK6	saddle brown	-SZ		
	9P1 880 201 M 9J9	Luxor beige	-UZ		
	9P1 880 201 M OG6	Bordeaux red	-LZ		
	9P1 880 201 M 6H6	Espresso	-NE, BY		
(3)	9P1 880 201 R	Airbag unit (drivers side)	GT2-RS	1	PR-991
	9P1 880 201 R A34	Leather Black			
4	991 803 091 01	Head airbag unit Door	left	1	
(4)	991 803 092 01	Head airbag unit Door	right	1	
5	N 911 087 01	Hexagon collared bolt with multi-point socket head (duo) M6X25		4	
6	991 803 081 01	Side airbag unit Seat	left	1	PR:319, 321, 323
	991 803 081 01 5Q0	Black	-AZ, TD		
	991 803 081 01 OA6	agate grey	-FZ		
	991 803 081 01 OH7	Graphite Blue	-HZ		
	991 803 081 01 OL7	saddle brown	-SZ		
	991 803 081 01 6W0	Luxor beige	-UZ, BT		
	991 803 081 01 OG6	Bordeaux red	-LZ, BM		
	991 803 081 01 OL8	Chalk	-BG, TG		
	991 803 081 01 3T0	Espresso	-NE		
	991 803 081 01 2S0	Cognac	-BY		
(6)	991 803 082 01	Side airbag unit Seat	right	1	PR:320, 322, 324
	991 803 082 01 5Q0	Black	-AZ, TD		
	991 803 082 01 OA6	agate grey	-FZ		
	991 803 082 01 OH7	Graphite Blue	-HZ		
	991 803 082 01 OL7	saddle brown	-SZ		
	991 803 082 01 6W0	Luxor beige	-UZ, BT		
	991 803 082 01 OG6	Bordeaux red	-LZ, BM		
	991 803 082 01 OL8	saddle brown	-BG, TG		
	991 803 082 01 3T0	Espresso	-NE		
	991 803 082 01 2S0	Cognac	-BY		
7	999 073 306 09	Screw Side airbag unit Seat M6X10		4	

Model: 991T13

Model life 2014>>



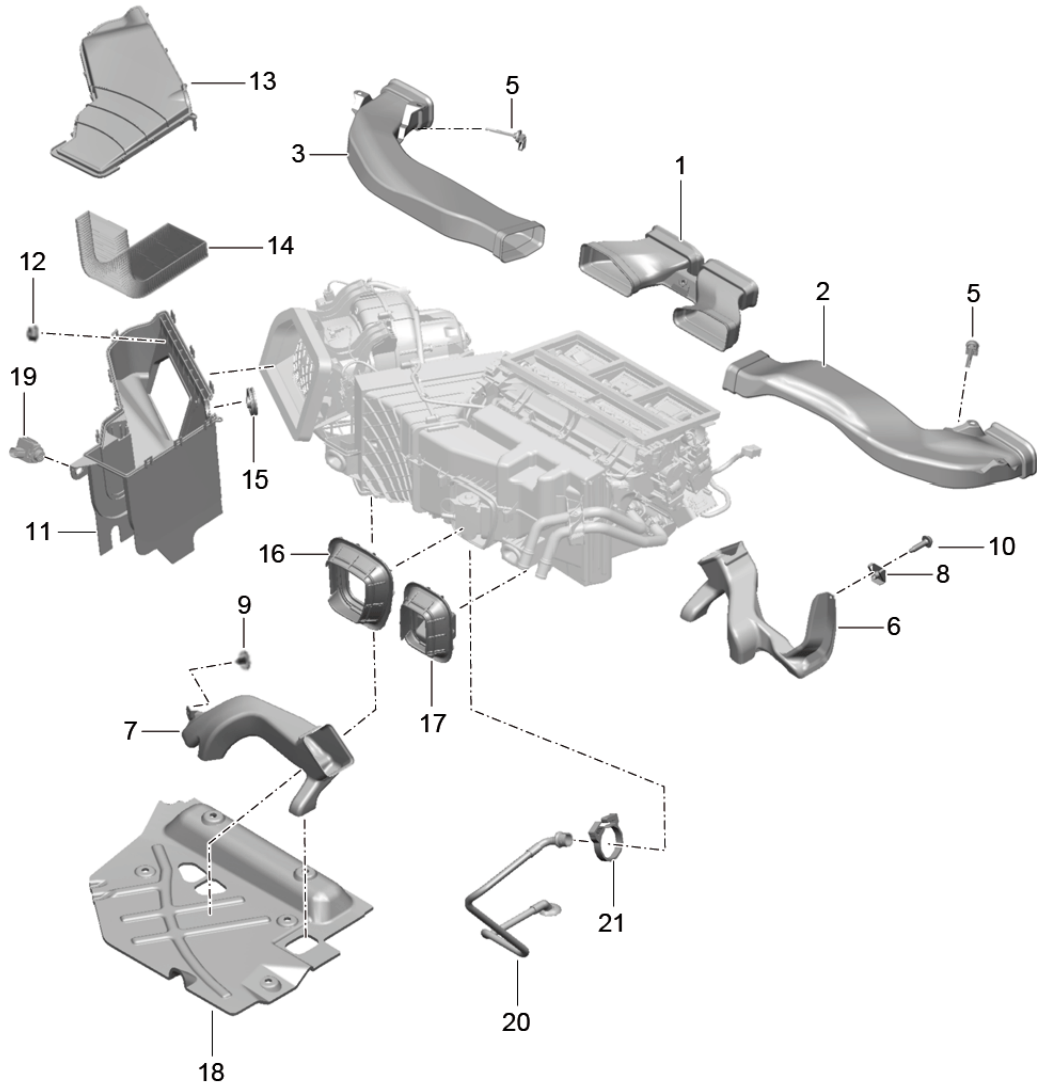
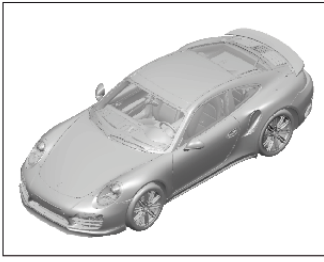
Model: 991T13

Model life 2014>>

Pos	Part Number	Description	Remark	Qty	Model
1	991 572 681 03	heater Feed line return line Heater pipeline	feed	1	
2	991 572 683 03	Heater pipeline	return	1	
3	991 572 825 01	Bracket		1	
4	991 572 823 00	Bracket		3	
5	999 511 232 41	Rubber bush		3	
6	991 572 585 01	Heating hose		2	
7	999 512 603 09	Hose clamp		2	
8	999 512 657 09	Hose clamp A26X12 B26X12		2	
9	991 572 263 01	Seal Cross panel		1	
10	991 572 553 00	Heater pipeline Foam part Hot air line		1	

Model: 991T13

Model life 2014>>





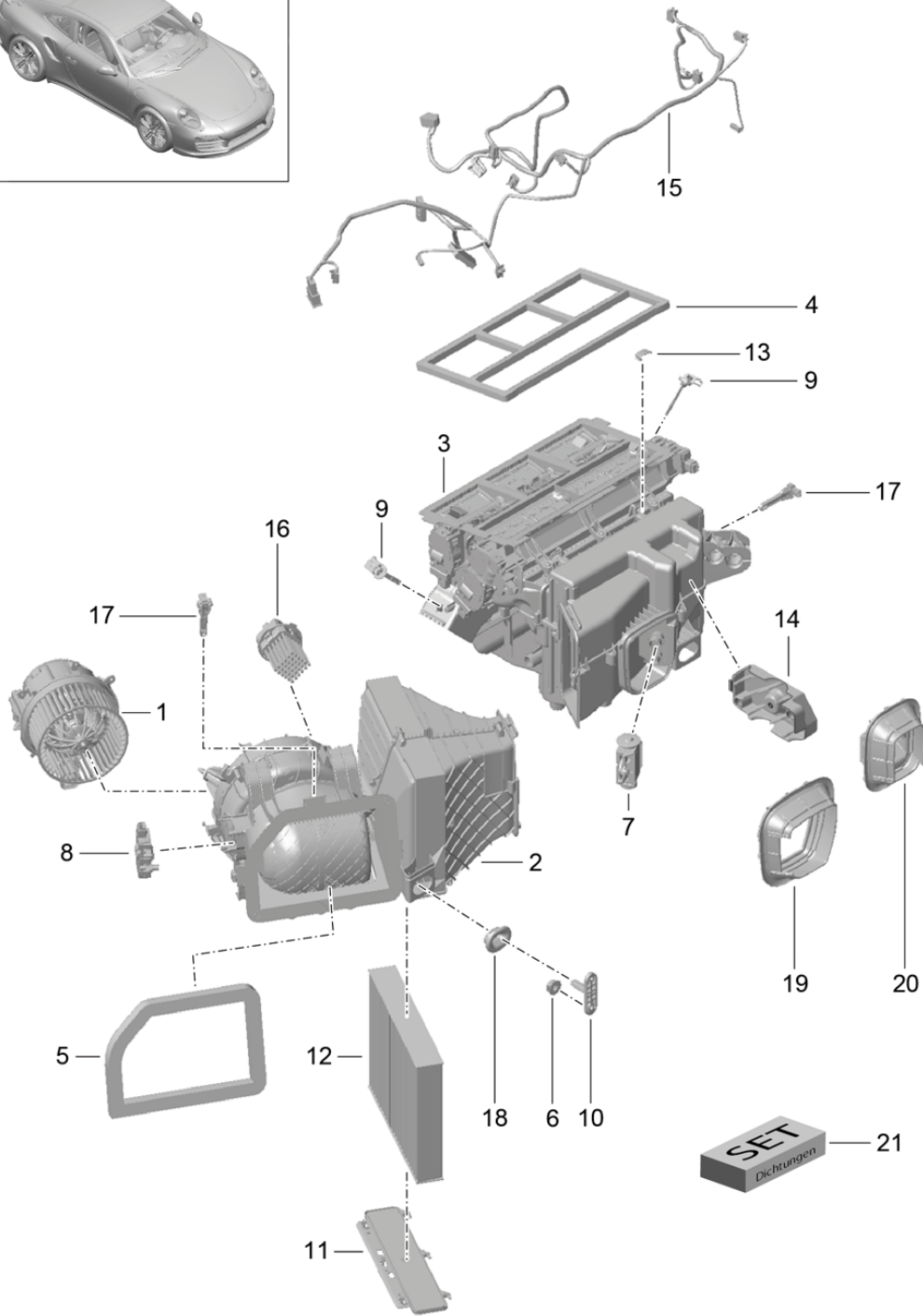
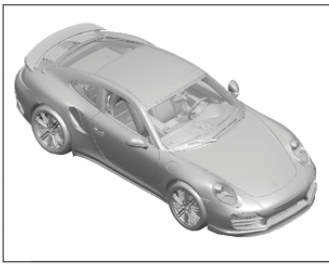
Model: 991T13

Model life 2014>>

Pos	Part Number	Description	Remark	Qty	Model
1	991 572 769 01	Air guide	center	1	
2	991 572 463 02	Air distributor Air guide	left lhd	1	PR:098
(2)	991 572 463 03	Air guide	side left rhd	1	PR:099
3	991 572 464 02	Air guide	side right lhd	1	PR:098
(3)	991 572 464 03	Air guide	side right rhd	1	PR:099
4	999 703 462 40	End cap 10,0X65		2	PR:572
5	970 653 253 00	Temperature sensor		2	PR:573
6	991 572 693 00	Footwell outlet vent (drivers side)	lhd	1	PR:098
(6)	991 572 694 00	Footwell outlet vent (drivers side)	rhd	1	PR:099
7	991 572 793 02	Footwell outlet vent (passenger side)	rhd	1	PR:099
(7)	991 572 794 02	Footwell outlet vent (passenger side)	lhd	1	PR:098
8	999 507 556 01	panel nut M 5		1	
9	1H0 819 943	round hd. screw (passenger side)		1	
10	999 073 459 01	fillister hd. bolt M5X16 (drivers side)		1	
11	991 572 072 01	Lower part Air intake	lhd	1	PR:098
(11)	991 572 071 00	Lower part Air intake	rhd	1	PR:099
12	900 377 018 09	Hexagon nut M6		2	
13	991 572 272 01	Cover Air intake	lhd	1	PR:098
(13)	991 572 271 00	Cover Air intake	rhd	1	PR:099
14	991 572 371 00	Air filter Air intake		1	
15	991 572 471 01	Grommet Air intake		1	
16	991 573 769 01	Grommet Firewall Expansion valve		1	PR:572,573
17	991 572 263 01	Seal Cross panel Heater pipeline		1	
18		Trim Cold air Cover		1	
19	7PP 907 659	see illustration: Sensor	809-010	1	
20	991 573 794 00	water drain pipe		1	PR:572,573
21	999 512 418 40	Hose clamp 22,7-24,7		1	PR:572,573

Model: 991T13

Model life 2014>>



Model: 991T13

Model life 2014>>

Pos	Part Number	Description	Remark	Qty	Model
1	991 573 922 00	Air conditioner and Individual parts			
(1)	991 573 922 01	Fan	lhd	1	PR:098
2	991 573 912 04	Fan	rhd	1	PR:099
		blower housing (complete)	lhd	1	PR:098
		with:			
(2)	991 573 912 06	Two stepping motors and ventilation flap blower housing (complete)	lhd	1	PR:098
		with:			
(2)	991 573 912 05	One stepping motor without:			
		ventilation flap blower housing (complete)	rhd	1	PR:099
		with:			
(2)	991 573 912 07	Two stepping motors and ventilation flap blower housing (complete)	rhd	1	PR:099
		with:			
		One stepping motor without:			
3	991 573 914 04	ventilation flap Junction	lhd	1	PR:098,573
		with:			
(3)	991 573 914 06	ventilation flap Junction	lhd	1	PR:098
		without:			
(3)	991 573 914 01	ventilation flap Junction	rhd	1	PR:099,573
		with:			
(3)	991 573 914 07	ventilation flap Junction	rhd	1	PR:099
		without:			
5	991 573 850 00	ventilation flap Seal	lhd	1	PR:098
(5)	991 573 849 00	Fan Seal	rhd	1	PR:099
6	900 377 018 09	Fan Hexagon nut M6		X	
7	991 573 921 00	Expansion valve		1	
		also use:			
8	991 624 425 02	POS. 21 Servomotor 1 zone		X	
(8)	991 624 425 03	Servomotor 2-zone		X	
9	970 653 253 00	Temperature sensor Blower outlet sensor Temperature sensor		2	
10	991 572 481 00	Bracket Air conditioner		1	
11	991 573 916 00	Cover for Filter		1	
12	991 573 623 00	Passenger compart. filter		1	

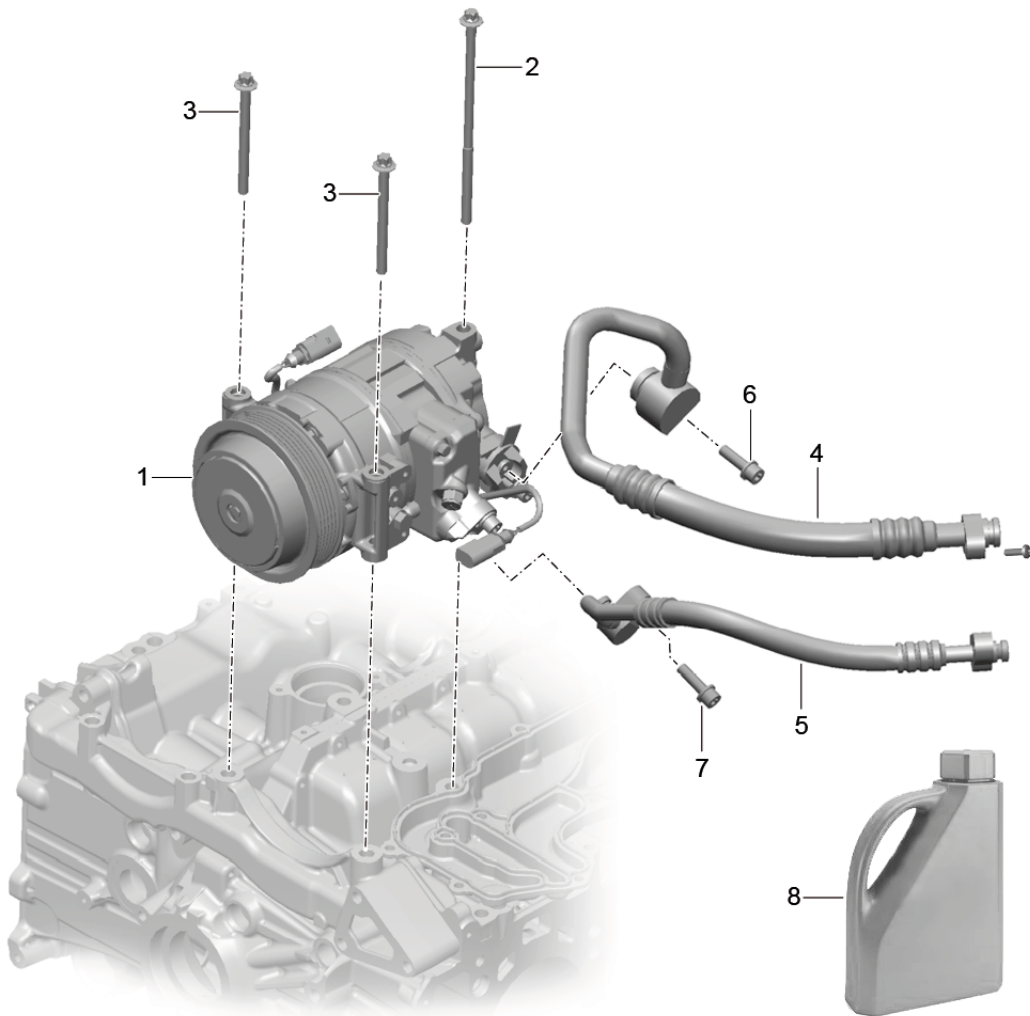
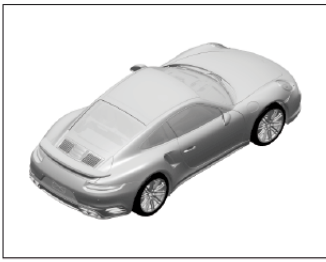
Model: 991T13

Model life 2014>>

Pos	Part Number	Description	Remark	Qty	Model
13	928 570 423 00	Tensioning spring blower housing		X	
14	991 573 913 00	pipe holder	rhd	1	PR:099
15	991 612 725 00	Wire set	lhd	1	PR:098,573
(15)	9P3 971 565	Wire set	lhd	1	PR:098,573
		without:			
(15)	9P4 971 565	ventilation flap Wire set	rhd	1	PR:099,573
		without:			
(15)	991 612 726 00	ventilation flap Wire set	rhd	1	PR:099,573
16	991 624 423 01	governor for Fan		1	PR:573
17	970 653 257 00	Temperature sensor for evaporator		2	
18	991 572 875 00	Grommet Air conditioner		2	
19	991 573 769 01	Grommet Firewall		1	PR:573
20	991 572 263 01	Expansion valve Seal Firewall		1	
21	8K0 820 261	Heater pipeline Gasket set Expansion valve		1	

Model: 991T13

Model life 2014>>



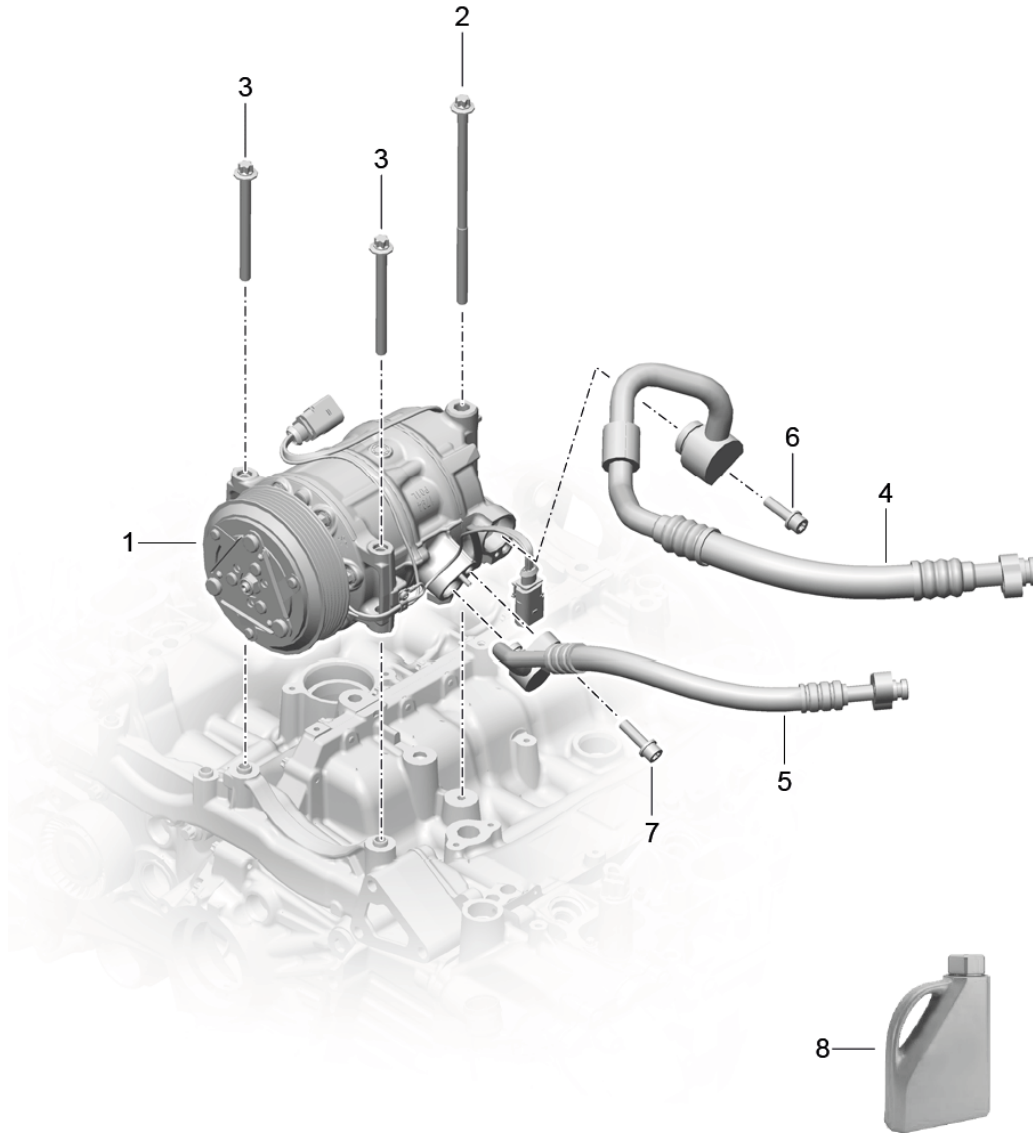
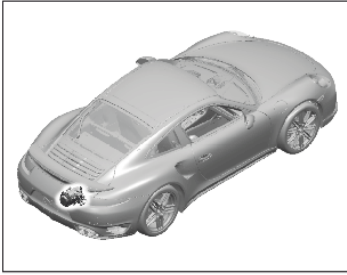
Model: 991T13

Model life 2014>>

Pos	Part Number	Description	Remark	Qty	Model
		Compressor Air conditioning R134A			
1	9P1 820 803 B	Compressor		1	
(1)	9P1 820 803 BX	Compressor		1	
		Replacement parts			
2	900 385 134 01	Hexagon head bolt M8X170		1	
3	900 385 102 01	Torx screw M8X90		2	
4		suction line		1	
		see illustration, item:	813-025,4		
5		Pressure line		1	
		see illustration, item:	813-025,5		
6	N 104 144 02	Socket head bolt with hexagon socket head M 8X28-U		1	
7	999 073 407 01	Screw M 8X25		1	
8	000 043 200 04	Compressor oil 250 ML R134A		1	

Model: 991T13

Model life 2014>>



Model: 991T13

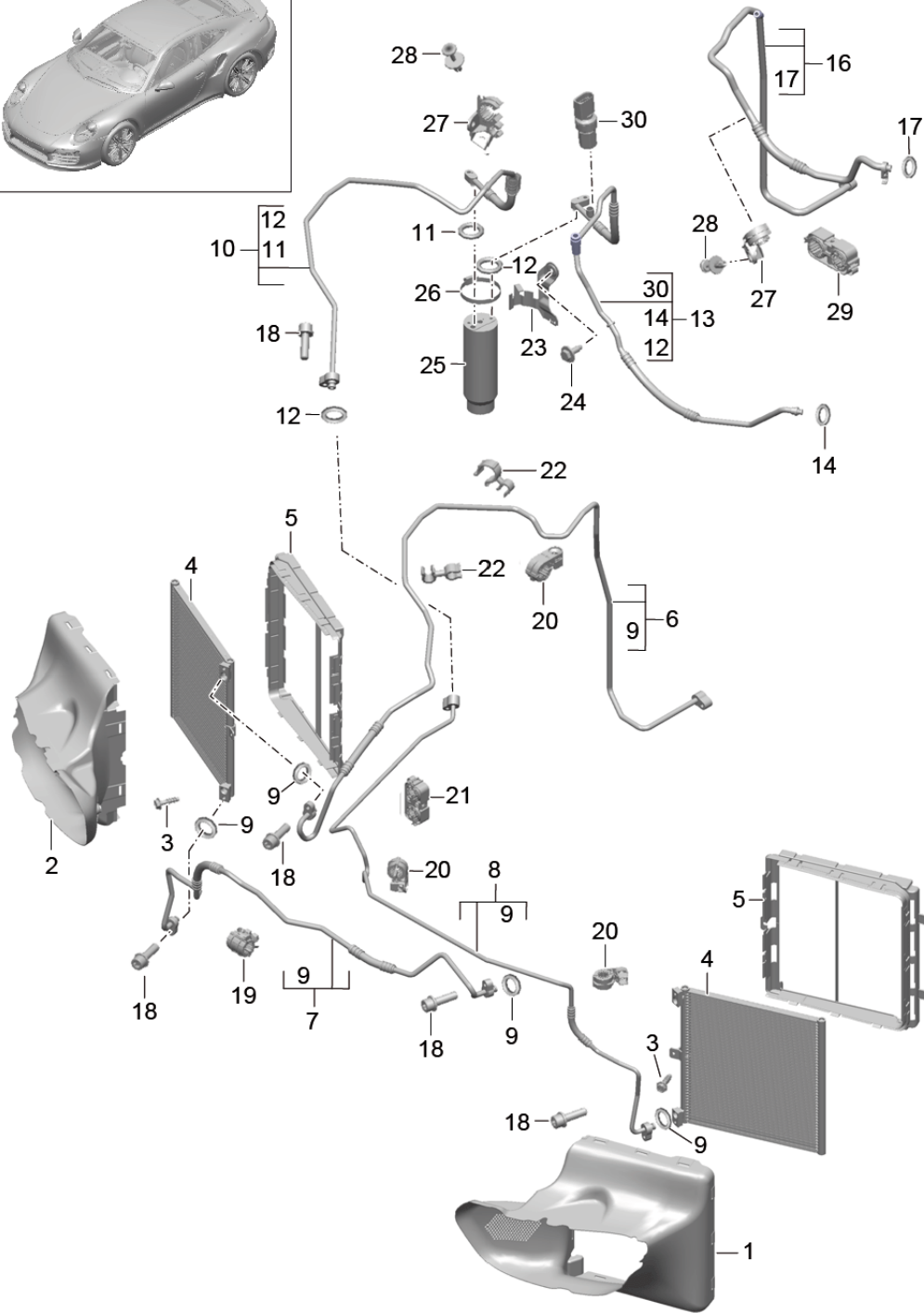
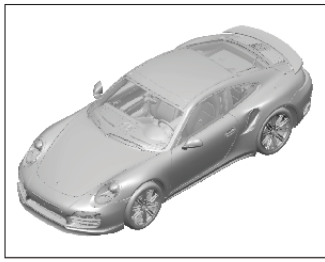
Model life 2014>>

Pos	Part Number	Description	Remark	Qty	Model
		Compressor Air conditioning R1234YF D - MJ 2017>>			PR:KK3
1	9P1 820 803 B	Compressor		1	
(1)	9P1 820 803 BX	Compressor		1	
		Replacement parts			
2	900 385 134 01	Hexagon head bolt M8X170		1	
3	900 385 102 01	Torx screw M8X90		2	
4		suction line		1	
		see illustration, item:	813-025,4		
5		Pressure line		1	
		see illustration, item:	813-025,5		
6	N 104 144 02	Socket head bolt with hexagon socket head M 8X28-U		1	
7	999 073 407 01	Screw M 8X25		1	
8	9A7 573 900 00	Compressor oil R1234YF 250 ML		1	
(7)		Refrigerant for R1234YF 5 KG See workshop manual 8X00IN		1	



Model: 991T13

Model life 2014>>

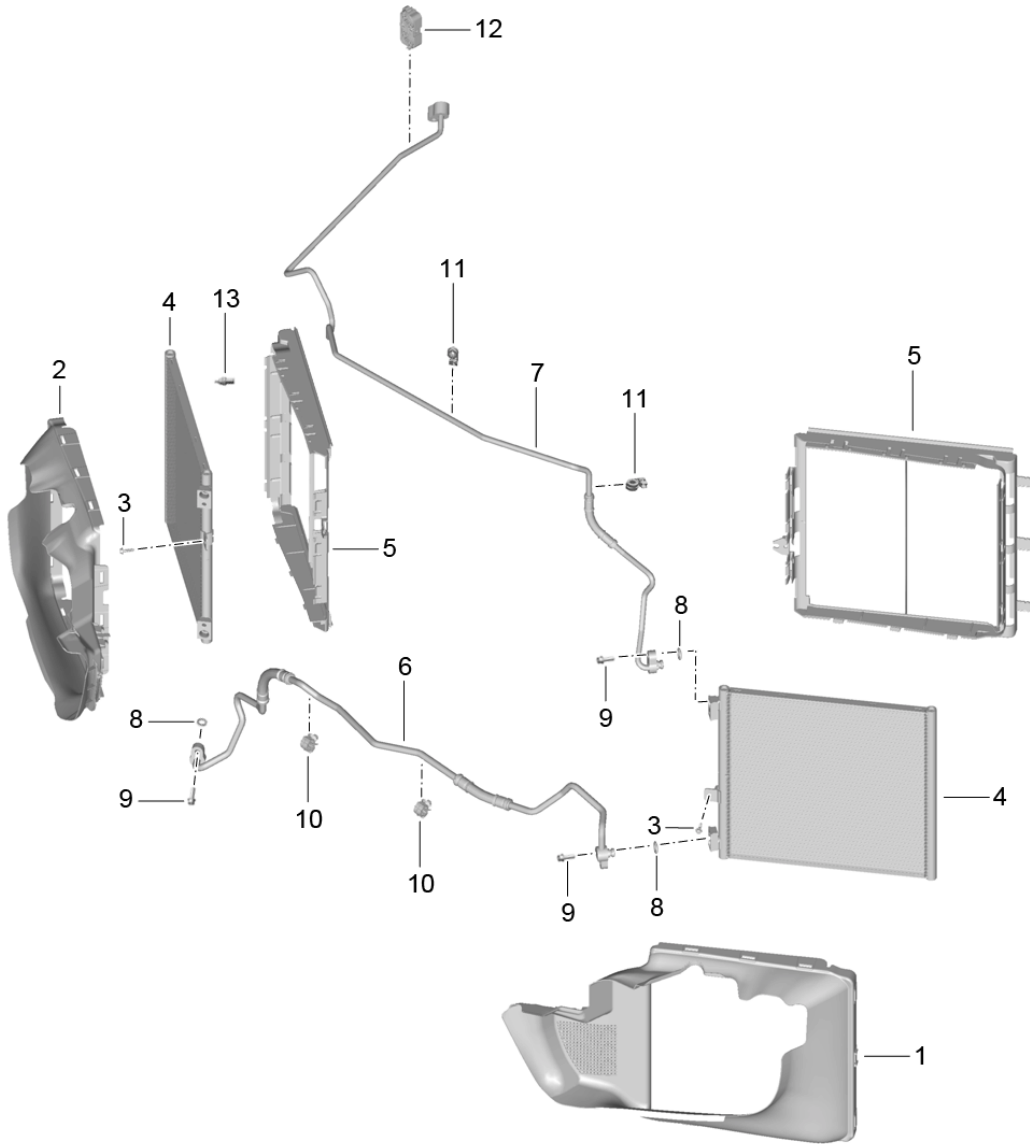
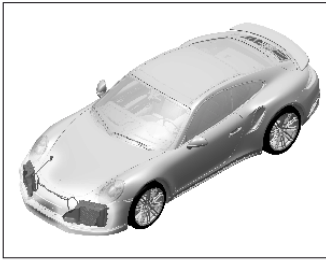


Model: 991T13 Model life 2014>>

Pos	Part Number	Description	Remark	Qty	Model
		refrigerant circuit	front		
		D >> - MJ 2016			
1	991 575 321 01	Air guide	left side	1	
	991 575 321 01 1E0	Black			
2	991 575 322 01	Air guide	right side	1	
	991 575 322 01 1E0	Black			
3	900 075 340 01	Bolt with washer M6X22		2	
4	991 573 111 04	Condenser		2	
5	991 573 711 04	Sealing frame		2	
6	991 573 094 01	Pressure line Underbody for Condenser	front	1	
7	991 573 103 01	Pressure line Between Condenser		1	
8	991 573 105 01	Pressure line Condenser	left	1	
		Wheel housing			
9	999 707 557 41	O-ring		1	
10	991 573 108 01	Pressure line Drier for Expansion valve Wheel housing panel		1	
11	999 707 556 41	O-ring		1	
12	999 707 660 40	O-ring		1	
13	991 573 109 06	Pressure line Drier	lhd	1	PR:098,573
(13)	991 573 109 07	Pressure line Drier	rhd	1	PR:099,573
14	999 707 652 40	O-ring		1	
16	991 573 093 00	suction line Expansion valve for Underbody	lhd	1	PR:098
(16)	991 573 093 02	suction line Expansion valve for Underbody	rhd	1	PR:099
17	999 707 558 41	O-ring		1	
18	N 104 144 02	Socket head bolt with hexagon socket head M 8X28		5	
19	991 573 839 01	Bracket		2	
20	991 573 837 00	Bracket		3	
21	991 573 841 00	Bracket		1	
22	999 507 969 40	Hose bracket 12,0/12,0		2	
23	991 573 451 01	bracket for drier		1	
24	900 075 510 01	Bolt with washer M6X20		1	
25	944 573 143 01	Drier		1	
26	999 512 349 01	Hose clamp A 50-70/ 9		1	
27	991 573 827 01	Bracket		2	
28	999 507 497 40	Spreader rivet 8,0X14,0		2	
29	991 573 843 00	Bracket		1	
30	955 613 137 03	Pressure sensor		1	

Model: 991T13

Model life 2014>>



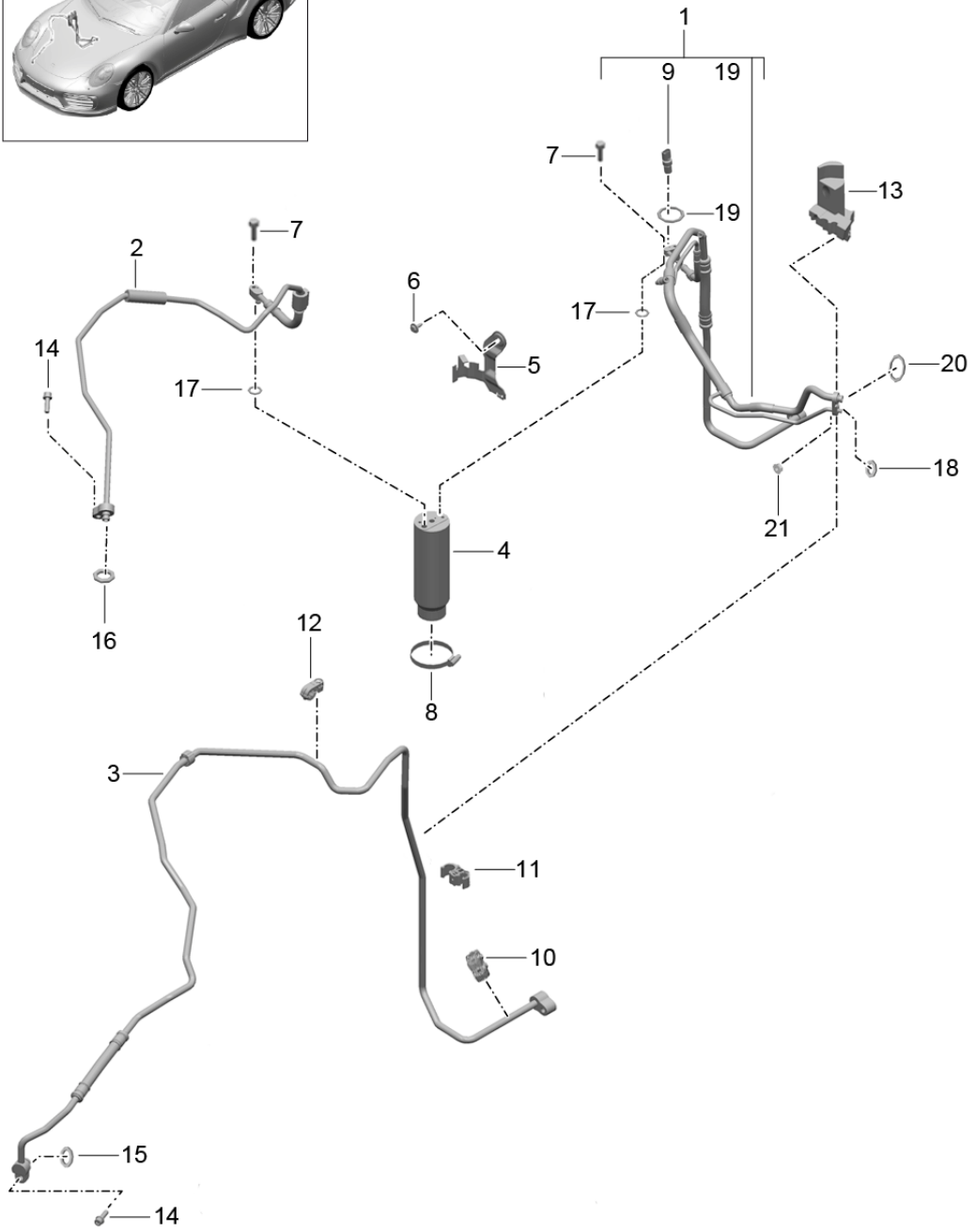
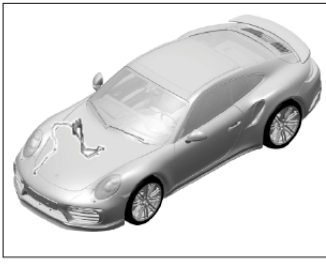
Model: 991T13

Model life 2014>>

Pos	Part Number	Description	Remark	Qty	Model
		refrigerant circuit 2nd GENERATION D - MJ 2017>>	front		
1	991 575 321 03	Air guide	left side	1	
(1)	991 575 321 03 OK1 991 575 321 84	Matt black Air guide	side left	1	
2	991 575 321 84 1E0 991 575 322 03	Matt black Air guide	right side	1	
(2)	991 575 322 03 OK1 991 575 322 84	Matt black Air guide	side right	1	
3	991 575 322 84 1E0 999 919 133 09	Matt black Hexagon bolt 6,0X20,0		2	
4	991 573 111 04	Condenser		2	
5	991 573 711 04	Sealing frame Condenser		2	
6	991 573 103 05	Pressure line Between Condenser		1	
7	991 573 105 05	Pressure line Condenser Wheel housing	left	1	
8	999 707 557 41	O-ring 11X2.5		3	
9	N 104 144 02	Socket head bolt with hexagon socket head M 8X28		4	
10	991 573 839 01	Bracket		2	
11	991 573 837 00	Bracket		2	
12	991 573 841 00	Bracket		1	
13	958 505 535 00	Sensor	Luftführ	1	

Model: 991T13

Model life 2014>>



Model: 991T13

Model life 2014>>

Pos	Part Number	Description	Remark	Qty	Model
1	991 573 102 00	Air conditioning Lines Drier Of 2nd GENERATION D - MJ 2017>> heat exchanger Line R134A	lhd	1	PR:KK1,098, 573
(1)	991 573 102 02	heat exchanger Line R1234YF	lhd	1	PR:KK3,098, 573
(1)	991 573 102 01	heat exchanger Line R134A	rhd	1	PR:KK1,099, 573
(1)	991 573 102 07	heat exchanger Refrigerant line Air conditioning		1	PR:KK3,099, 573
2	991 573 108 03	Pressure line Drier for Expansion valve		1	
3	991 573 094 04	Wheel housing panel Pressure line Underbody for Condenser	front	1	
4	944 573 143 01	Drier		1	
5	991 573 451 01	bracket for drier		1	
6	900 075 510 01	Bolt with washer M6X20		1	
7	900 075 340 01	Bolt with washer M6X22		2	
8	999 512 349 01	Hose clamp A 50-70/ 9		1	
9	955 613 137 03	Pressure sensor		1	
10	991 573 843 00	Bracket Refrigerant line Underbody		1	
11	991 573 825 01	Bracket for coolant line		1	
12	971 260 197	Wheel housing bracket for refrigerant pipe Refrigerant line Wheel housing		1	
13	991 572 512 00	Foam part	lhd	1	PR:098
(13)	991 572 513 01	Foam part	rhd	1	PR:099
14	N 104 144 02	Socket head bolt with hexagon socket head M 8X28		1	
15	999 707 557 41	O-ring 11X2.5		3	
16	999 707 556 41	O-ring 9,5X2,5		1	
17	999 707 660 40	O-ring 7X1.9		1	
18	999 707 652 40	O-ring 7.5X2.1		1	
19	999 707 555 41	O-ring 10.8X1.82		1	
20	999 707 558 41	O-ring 13.7X2.5		1	
21	900 377 018 09	Hexagon nut		1	

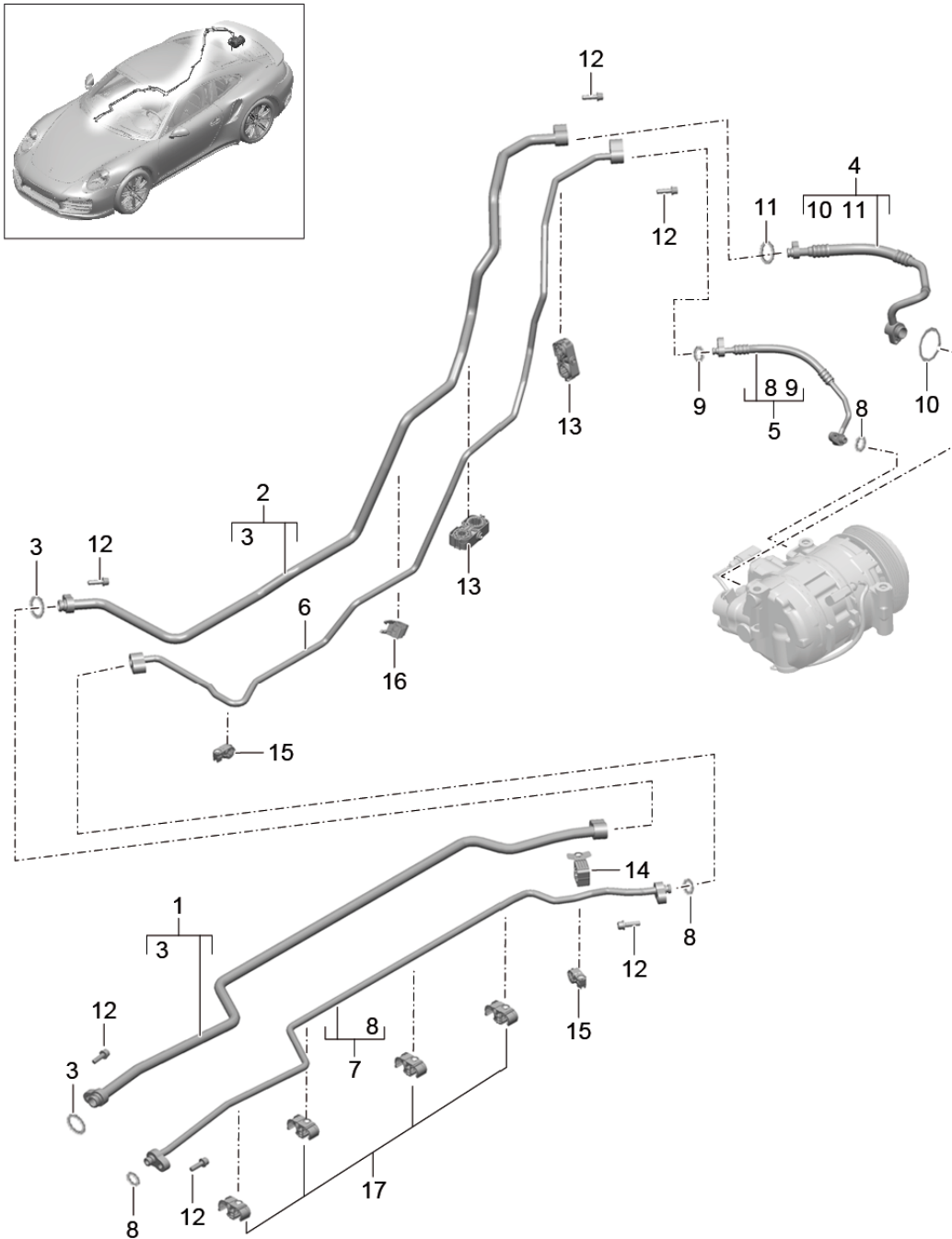
Model: 991T13

Model life 2014>>

Pos	Part Number	Description	Remark	Qty	Model
		M6			

Model: 991T13

Model life 2014>>





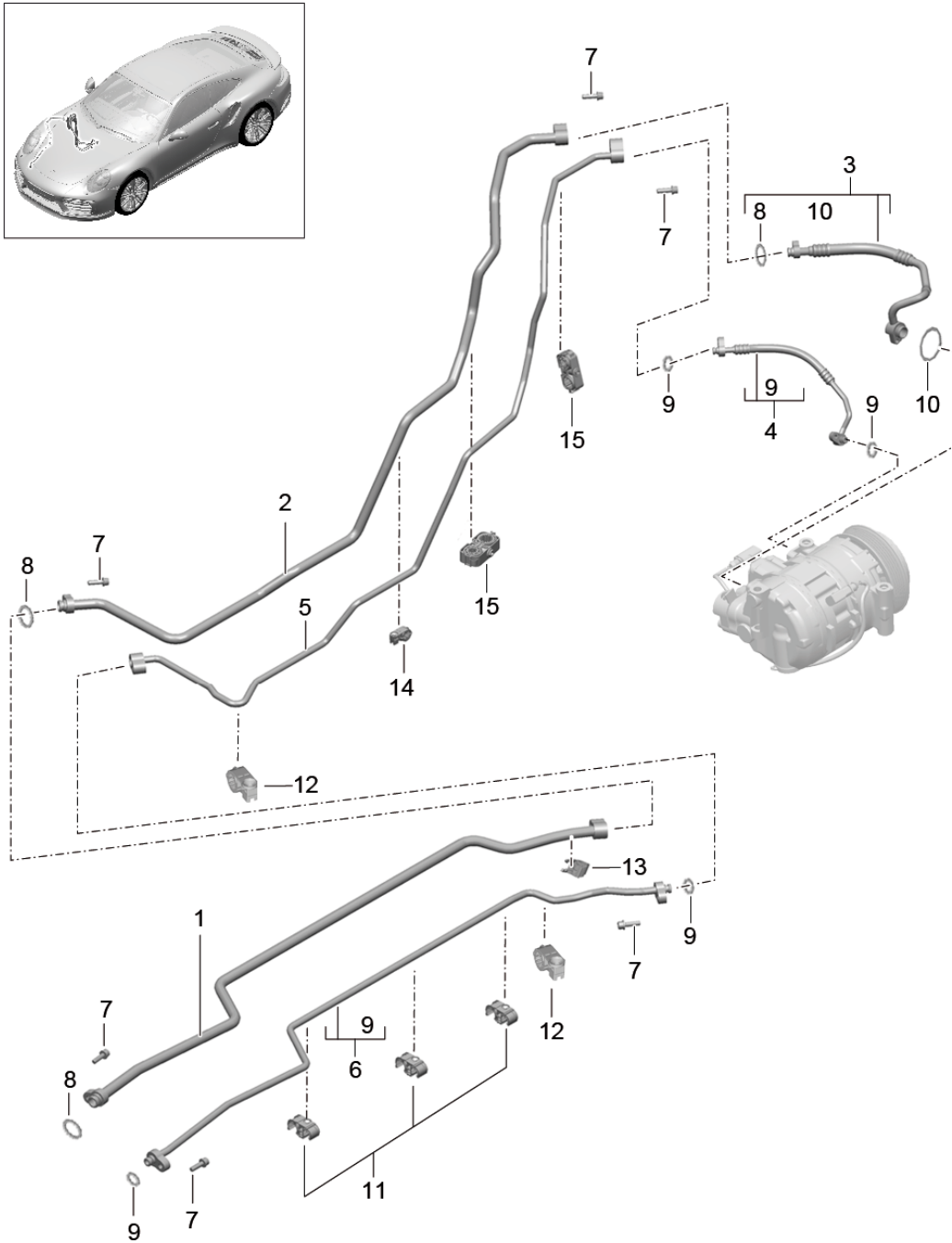
Model: 991T13

Model life 2014>>

Pos	Part Number	Description	Remark	Qty	Model
		refrigerant circuit Underbody and Rear end D >> - MJ 2016			
1	991 573 091 01	suction line Wheel housing for Underbody	front	1	
2	991 573 095 04	suction line Wheel housing for Compressor		1	
3	999 707 653 40	O-ring 16,70X2,50		2	
4	9A1 573 099 07	suction line Compressor		1	
5	9A1 573 097 05	Pressure line Compressor		1	
6	991 573 096 04	Pressure line Engine bay Compressor for Carrier		1	
7	991 573 092 01	Pressure line Underbody for Wheel housing	front	1	
8	999 707 557 41	O-ring 11.00X2.50		3	
9	999 707 434 41	O-ring 10.6X2.00		1	
10	999 707 439 41	O-ring 23.80X2.40		1	
11	999 707 653 40	O-ring 16.70X2.50		1	
12	N 104 144 02	Socket head bolt with hexagon socket head M 8X28		6	
13	991 573 843 00	Bracket		3	
14	991 573 837 00	Bracket		2	
15	991 573 835 00	Bracket for coolant line		2	
16	991 573 829 01	Bracket for coolant line		1	
17	991 573 825 01	Bracket for coolant line		5	

Model: 991T13

Model life 2014>>



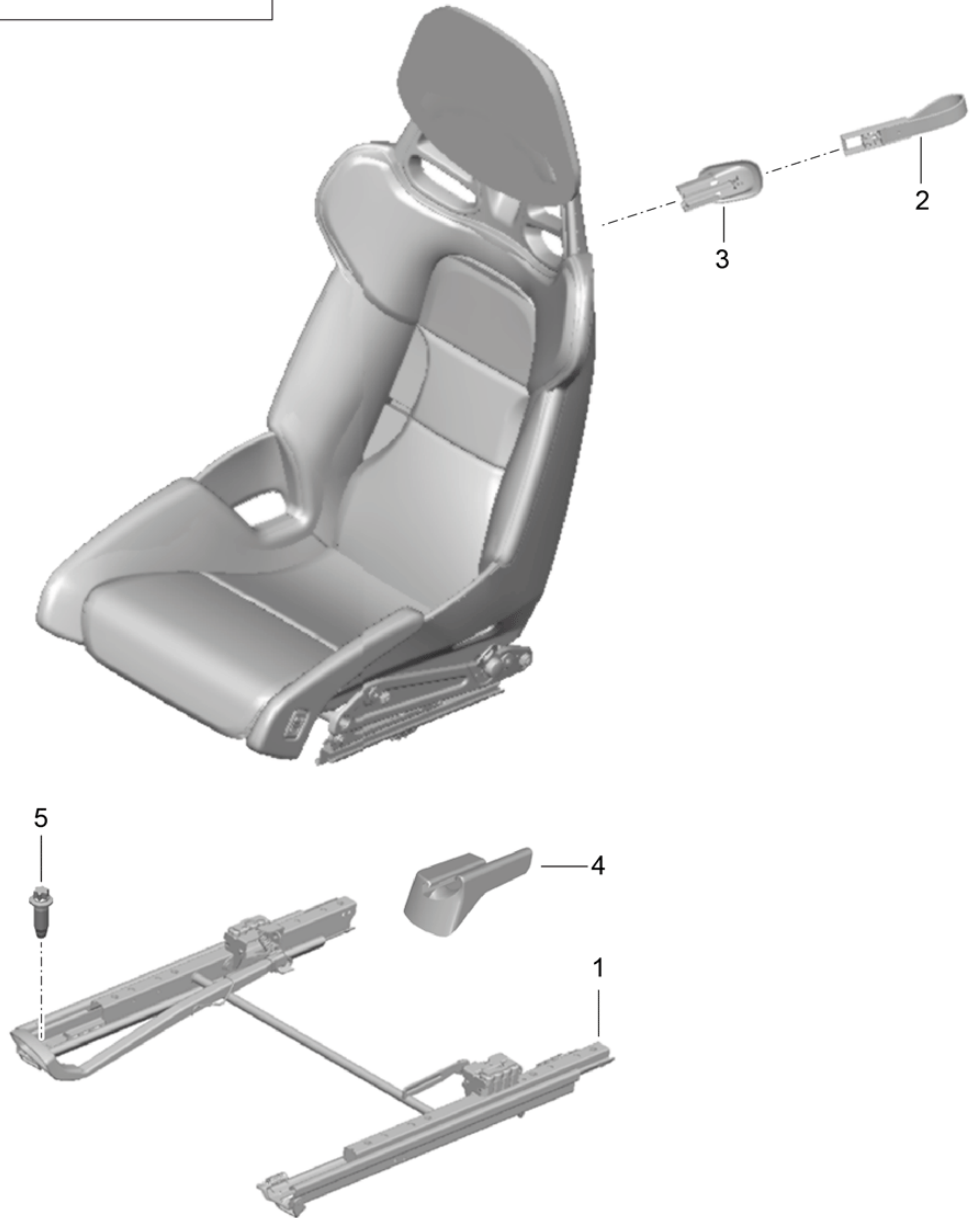
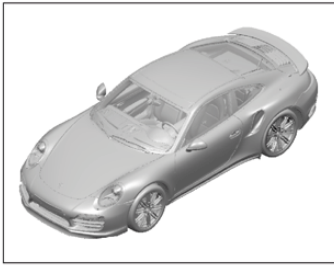
Model: 991T13

Model life 2014>>

Pos	Part Number	Description	Remark	Qty	Model
1	991 573 091 02	Refrigerant line Underbody and Rear end 2nd GENERATION D - MJ 2017>> suction line	front	1	
2	991 573 095 03	Wheel housing for Underbody suction line		1	
3	9A2 573 069 00	Wheel housing for Compressor suction line		1	
4	9A2 573 067 00	Compressor Pressure line		1	
5	991 573 096 03	Compressor Pressure line		1	
6	991 573 092 02	Engine bay Compressor for Carrier Pressure line	rear	1	
7	N 104 144 02	Underbody for Wheel housing Socket head bolt with hexagon socket head M 8X28		7	
8	9A7 573 749 03	O-ring 16,25X2,5		3	
9	999 707 557 41	O-ring 11X2.5		4	
10	999 707 439 41	O-ring 23,8X2,4		1	
11	991 573 825 01	Bracket for coolant line		3	
12	971 260 197	Underbody bracket for refrigerant pipe		1	
13	991 573 829 01	Refrigerant line Underbody Bracket for coolant line		1	
14	991 573 835 01	Underbody Bracket for coolant line		1	
15	991 573 843 00	Engine bay Bracket Refrigerant line Engine bay		2	

Model: 991T13

Model life 2014>>



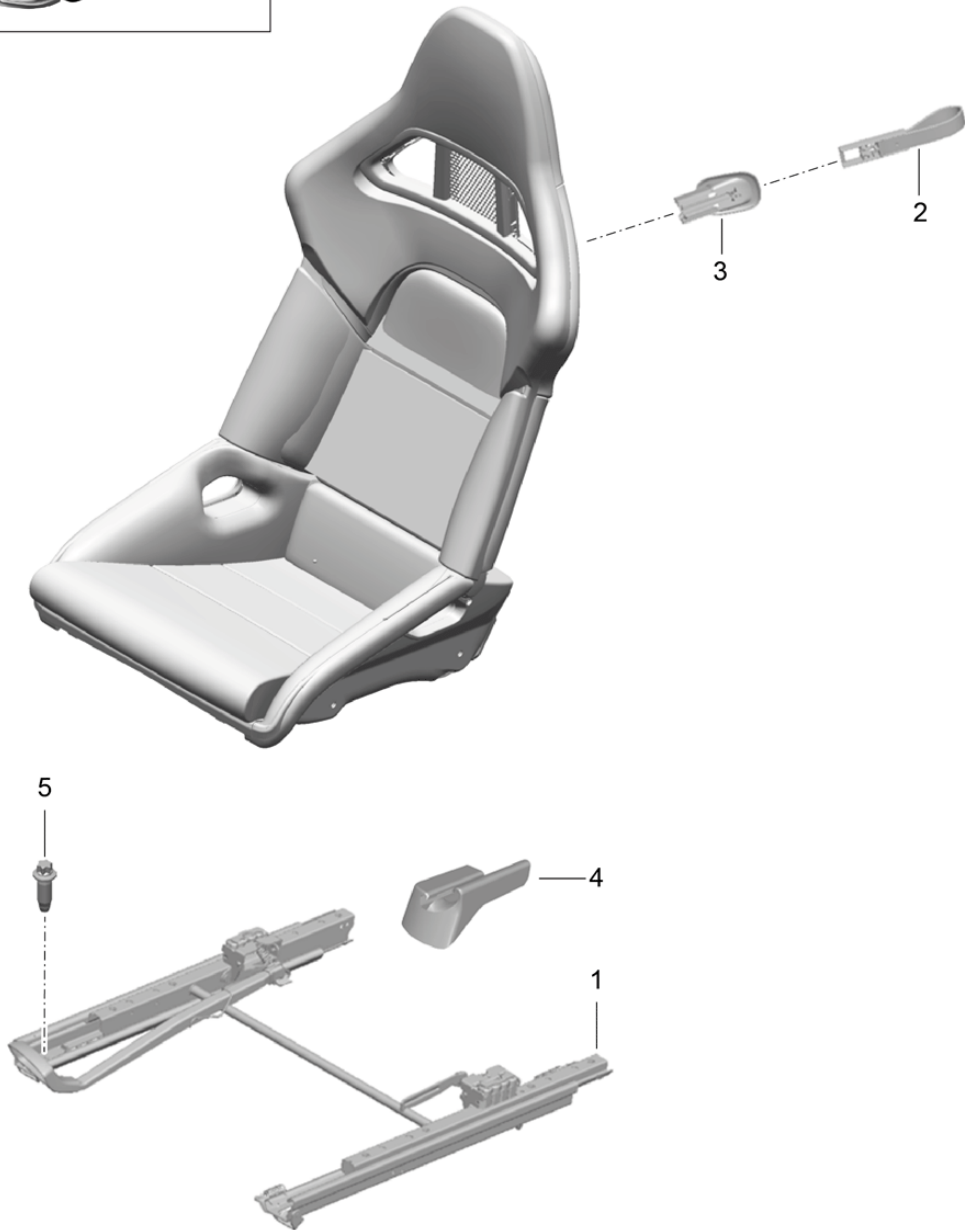
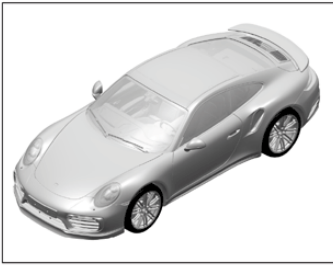
Model: 991T13

Model life 2014>>

Pos	Part Number	Description	Remark	Qty	Model
		bucket seat Collapsible (complete) Not available			
1	997 521 429 01	1 set of seat rails (drivers side)	left	1	PR:388
(1)	997 521 430 02	1 set of seat rails Seat rail (drivers side)	right	1	PR:389
2	991 521 541 00	Pull loop Backrest frame	left	1	PR:388
	991 521 541 00 A80	Black			
(2)	991 521 542 00	Pull loop Backrest frame	right	1	PR:389
	991 521 542 00 A80	Black			
3	997 521 538 00	Rosette Pull loop Backrest frame	right	1	PR:389
	997 521 538 00 01C	Satin black			
(3)	997 521 537 00	Rosette Pull loop Backrest frame	left	1	PR:388
	997 521 537 00 01C	Satin black			
4	997 521 359 01	Rail Seat rail Manually	left	1	PR:388
	997 521 359 01 01C	Satin black			
(4)	997 521 360 01	Rail Seat rail Manually	right	1	PR:389
	997 521 360 01 01C	Satin black			
(4)	997 521 361 00	Rail Seat rail	left	1	PR:388
	997 521 361 00 01C	Satin black			
(4)	997 521 362 00	Rail Seat rail	right	1	PR:389
	997 521 362 00 01C	Satin black			
5	WHT 007 691	Outer hexagon round screw Seat rail Front seat Floor section		4	

Model: 991T13

Model life 2014>>



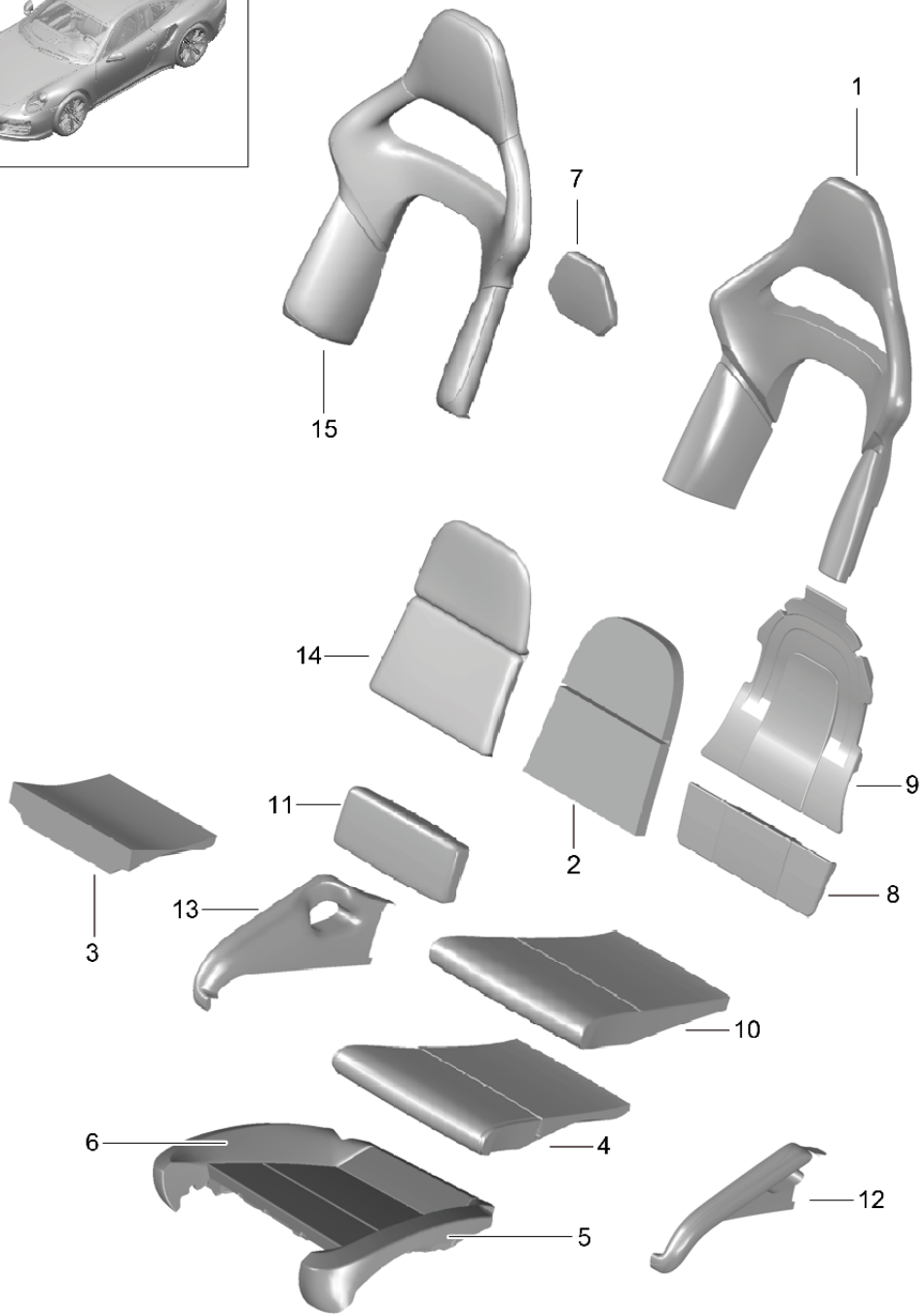
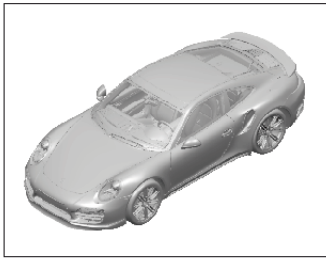
Model: 991T13

Model life 2014>>

Pos	Part Number	Description	Remark	Qty	Model
		bucket seat Collapsible (complete) Not available D - MJ 2017>>			
1	997 521 429 01	1 set of seat rails (drivers side)	left	1	PR:388
(1)	997 521 430 02	1 set of seat rails Seat rail (drivers side)	right	1	PR:389
2	991 521 541 00	Pull loop Backrest frame	left	1	PR:388
	991 521 541 00 A80	Black			
(2)	991 521 542 00	Pull loop Backrest frame	right	1	PR:389
	991 521 542 00 A80	Black			
3	997 521 538 00	Rosette Pull loop Backrest frame	right	1	PR:389
	997 521 538 00 01C	Satin black			
(3)	997 521 537 00	Rosette Pull loop Backrest frame	left	1	PR:388
	997 521 537 00 01C	Satin black			
4	991 521 359 00	Rail Seat rail Manually	left	1	PR:388
	991 521 359 00 1E0	Black			
(4)	991 521 360 00	Rail Seat rail Manually	right	1	PR:389
	991 521 360 00 1E0	Black			
(4)	991 521 361 00	Rail Seat rail	left	1	PR:388
	991 521 361 00 1E0	Black			
(4)	991 521 362 00	Rail Seat rail	right	1	PR:389
	991 521 362 00 1E0	Black			
5	WHT 007 691	Outer hexagon round screw Seat rail Front seat Floor section		4	

Model: 991T13

Model life 2014>>





Model: 991T13 Model life 2014>>

Pos	Part Number	Description	Remark	Qty	Model
1	997 521 447 00	Foam part Cover Seat and backrest surface bucket seat Collapsible		2	PR:388,389
2	997 521 448 00	Foam part backrest Outer part		2	PR:388,389
3	997 521 441 00	Foam part Seat cushion	rear	2	PR:388,389
4	991 521 440 00	Foam part Seat cushion	front	2	PR:388,389
5	997 521 443 00	Foam part Seat cushion	left side outer	1	PR:388
(5)	997 521 444 00	Foam part Seat cushion	side inner left	1	PR:388
6	997 521 446 00	Foam part Seat cushion	right side outer	1	PR:389
(6)	997 521 445 00	Foam part Seat cushion	right side inner	1	PR:389
7	997 521 458 00	Foam part Head restraint		2	PR:388,389
8	997 521 456 00	Foam part Seat cushion	rear	1	PR:388,389
9	997 521 457 00	Foam part backrest		1	PR:388,389
10	991 521 380 00	Seat cover	front	1	PR:388,389, 983
	991 521 380 00 8YR	Black	-AZ		
	991 521 380 00 7A0	Platinum Grey	-CZ,BR		
	991 521 380 00 9H6	Luxor beige	-UZ,BL		
	991 521 380 00 6U7	yachting blue	-EZ		
	991 521 380 00 PL1	agate grey	-DK		
	991 521 380 00 PQ4	flint grey	-BV		
	991 521 380 00 DE1	Umber			
	991 521 380 00 N11	Carrera Red	-BA,BQ		
(10)	991 521 380 01	Seat cover	front	1	PR:388,983, 998,389
	991 521 380 01 8C0	Espresso	-NE		
	991 521 380 01 N11	Carrera Red	-NG		
	991 521 380 01 9EF	Cognac	-BH		
11	997 521 381 00	Seat cover	rear	1	PR:388,389, 983
	997 521 381 00 8YR	Black	-AZ		
	997 521 381 00 7A0	Platinum Grey	-CZ,BR		
	997 521 381 00 9H6	Luxor beige	-UZ,BL		
	997 521 381 00 6U7	yachting blue	-EZ		
	997 521 381 00 PL1	agate grey	-DK		
	997 521 381 00 PQ4	flint grey	-BV		
	997 521 381 00 DE1	Umber			
	997 521 381 00 N11	Carrera Red	-BA,BQ		
(11)	991 521 381 00	Seat cover	rear	1	PR:388,389, 983,998
	991 521 381 00 8C0	Espresso	-NE		
	991 521 381 00 N11	Carrera Red	-NG		
	991 521 381 00 9EF	Cognac	-BH		

Model: 991T13 Model life 2014>>

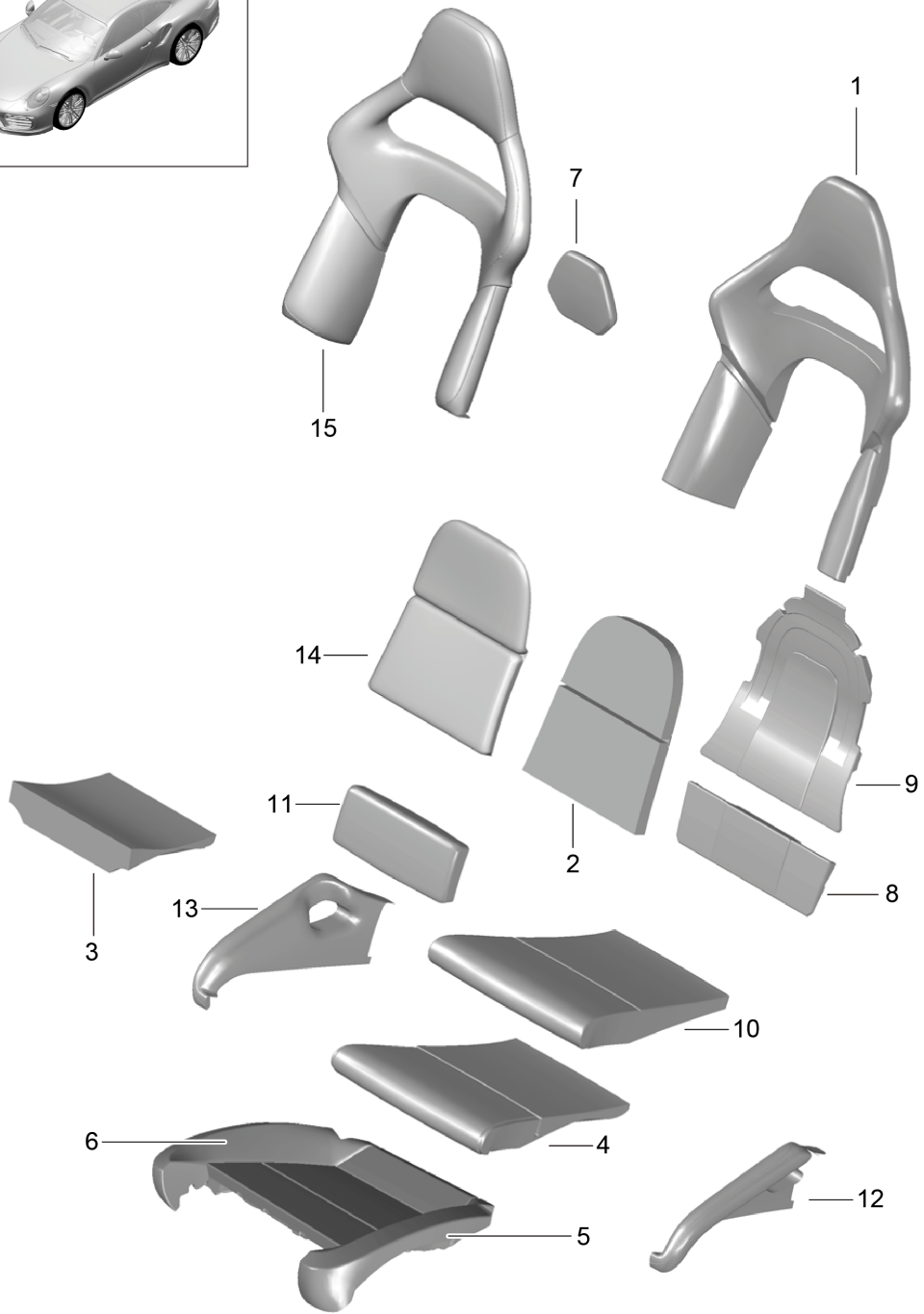
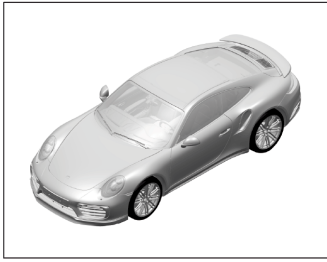
Pos	Part Number	Description	Remark	Qty	Model
12	991 521 383 01	Cover	left side outer	1	PR:388,983
	991 521 383 01 8YR	Black	-AZ		
	991 521 383 01 7A0	Platinum Grey	-CZ, BR		
	991 521 383 01 9H6	Luxor beige	-UZ, BL		
	991 521 383 01 6U7	yachting blue	-EZ		
	991 521 383 01 PL1	agate grey	-DK		
	991 521 383 01 PQ4	flint grey	-BV		
	991 521 383 01 DE1	Umber			
	991 521 383 01 N11	Carrera Red	-BA, BQ		
(12)	991 521 383 00	Seat cover (leather)	left side outer	1	PR:388,983, 998
	991 521 383 00 8C0	Espresso	-NE		
	991 521 383 00 N11	Carrera Red	-NG		
	991 521 383 00 9EF	Cognac	-BH		
(12)	991 521 385 01	Cover	right side inner	1	PR:389,983
	991 521 385 01 8YR	Black	-AZ		
	991 521 385 01 7A0	Platinum Grey	-CZ, BR		
	991 521 385 01 9H6	Luxor beige	-UZ, BL		
	991 521 385 01 6U7	yachting blue	-EZ		
	991 521 385 01 PL1	agate grey	-DK		
	991 521 385 01 PQ4	flint grey	-BV		
	991 521 385 01 DE1	Umber			
	991 521 385 01 N11	Carrera Red	-BA, BQ		
(12)	991 521 385 00	Seat cover (leather)	right side inner	1	PR:389,983, 998
	991 521 385 00 8C0	Espresso	-NE		
	991 521 385 00 N11	Carrera Red	-NG		
	991 521 385 00 9EF	Cognac	-BH		
13	991 521 384 01	Cover	left side inner	1	PR:388,983
	991 521 384 01 8YR	Black	-AZ		
	991 521 384 01 7A0	Platinum Grey	-CZ, BR		
	991 521 384 01 9H6	Luxor beige	-UZ, BL		
	991 521 384 01 6U7	yachting blue	-EZ		
	991 521 384 01 PL1	agate grey	-DK		
	991 521 384 01 PQ4	flint grey	-BV		
	991 521 384 01 DE1	Umber			
	991 521 384 01 N11	Carrera Red	-BA, BQ		
(13)	991 521 384 00	Seat cover (leather)	left side inner	1	PR:388,983, 998
	991 521 384 00 8C0	Espresso	-NE		
	991 521 384 00 N11	Carrera Red	-NG		
	991 521 384 00 9EF	Cognac	-BH		
(13)	991 521 386 01	Cover	right side outer	1	PR:389,983
	991 521 386 01 8YR	Black	-AZ		
	991 521 386 01 7A0	Platinum Grey	-CZ, BR		
	991 521 386 01 9H6	Luxor beige	-UZ, BL		
	991 521 386 01 6U7	yachting blue	-EZ		
	991 521 386 01 PL1	agate grey	-DK		
	991 521 386 01 PQ4	flint grey	-BV		
	991 521 386 01 DE1	Umber			
	991 521 386 01 N11	Carrera Red	-BA, BQ		
(13)	991 521 386 00	Seat cover (leather)	right	1	PR:389,983,

Model: 991T13 Model life 2014>>

Pos	Part Number	Description	Remark	Qty	Model
			side outer		998
	991 521 386 00 8C0	Espresso	-NE		
	991 521 386 00 N11	Carrera Red	-NG		
	991 521 386 00 9EF	Cognac	-BH		
14	997 521 387 00	Backrest centre part w. cover		1	PR:388,389, 983
	997 521 387 00 8YR	Black	-AZ		
	997 521 387 00 7A0	Platinum Grey	-CZ, BR		
	997 521 387 00 9H6	Luxor beige	-UZ, BL		
	997 521 387 00 6U7	yachting blue	-EZ		
	997 521 387 00 PL1	agate grey	-DK		
	997 521 387 00 PQ4	flint grey	-BV		
	997 521 387 00 DE1	Umber			
	997 521 387 00 N11	Carrera Red	-BA, BQ		
(14)	991 521 387 00	Backrest centre part w. cover		1	PR:388,389, 983,998
	991 521 387 00 8C0	Espresso	-NE		
	991 521 387 00 N11	Carrera Red	-NG		
	991 521 387 00 9EF	Cognac	-BH		
15	991 521 388 01	Backrest cover	outer	1	PR:388,389, 983
	991 521 388 01 8YR	Black	-AZ		
	991 521 388 01 7A0	Platinum Grey	-CZ, BR		
	991 521 388 01 9H6	Luxor beige	-UZ, BL		
	991 521 388 01 6U7	yachting blue	-EZ		
	991 521 388 01 PL1	agate grey	-DK		
	991 521 388 01 PQ4	flint grey	-BV		
	991 521 388 01 DE1	Umber			
	991 521 388 01 N11	Carrera Red	-BA, BQ		
(15)	991 521 388 01	Backrest cover	outer	1	PR:388,389, -998, XWP, -XSC
	991 521 388 01 8YR	Black	-AZ		
(15)	991 521 388 00	backrest cover (leather)	outer	1	PR:388,389, 983,998
	991 521 388 00 8C0	Espresso	-NE		
	991 521 388 00 N11	Carrera Red	-NG		
	991 521 388 00 9EF	Cognac	-BH		
(15)	991 521 981 16	Backrest cover Outer part		1	PR:XSC,388, 389,983
	991 521 981 16 GDC	Black	-AZ		
	991 521 981 16 GEC	Platinum Grey	-CZ, BR		
	991 521 981 16 GFC	Luxor beige	-UZ, BL		
	991 521 981 16 GGC	yachting blue	-EZ		
	991 521 981 16 GHC	agate grey	-DK		
	991 521 981 16 GMC	flint grey	-BV		
	991 521 981 16 GLC	Carrera Red	-BA, BQ		
(15)	991 521 981 16	Backrest cover Outer part		1	PR:XSC,388, 389,-998, XWP
	991 521 981 16 GDC	Black	-AZ		
(15)	991 521 981 17	Backrest cover Outer part		1	PR:XSC,388, 389,983,998
	991 521 981 17 GKC	Espresso	-NE		
	991 521 981 17 GLC	Carrera Red	-NG		
	991 521 981 17 GRC	Cognac	-BH		

Model: 991T13

Model life 2014>>



Model: 991T13 Model life 2014>>

Pos	Part Number	Description	Remark	Qty	Model
1	997 521 447 00	Foam part Cover Seat and backrest surface bucket seat Collapsible D - MJ 2017>>		2	PR:388,389
2	991 521 448 00	Foam part backrest Outer part		2	PR:388,389
3	997 521 441 00	Foam part Seat cushion	rear	2	PR:388,389
4	991 521 440 01	Foam part Seat cushion	front	2	PR:388,389
5	997 521 443 00	Foam part Seat cushion	left side outer	1	PR:388
(5)	997 521 444 00	Foam part Seat cushion	left side inner	1	PR:388
6	997 521 446 00	Foam part Seat cushion	right side outer	1	PR:389
(6)	997 521 445 00	Foam part Seat cushion	right side inner	1	PR:389
7	997 521 458 00	Foam part Head restraint		2	PR:388,389
8	997 521 456 00	Foam part Seat cushion	rear	1	PR:388,389
9	997 521 457 00	Foam part backrest		1	PR:388,389
10	991 521 380 03	Seat cover	front	1	PR:388,389, 983,-998
	991 521 380 03 8YR	Black	-AZ		
	991 521 380 03 PL1	agate grey	-FZ		
	991 521 380 03 9H6	Luxor beige	-UZ,BT		
	991 521 380 03 OK6	saddle brown	-SZ		
	991 521 380 03 OG6	Bordeaux red	-LZ,BM		
	991 521 380 03 OH7	Graphite Blue	-HZ		
	991 521 380 03 OL8	Chalk	-BG		
(10)	991 521 380 04	Seat cover	front	1	PR:388,983, 998,389
	991 521 380 04 8C0	Espresso	-NE		
	991 521 380 04 9EF	Cognac	-BY		
11	997 521 381 00	Seat cover	rear	1	PR:388,389, 983,-998
	997 521 381 00 8YR	Black	-AZ		
	997 521 381 00 PL1	agate grey	-FZ		
	997 521 381 00 9H6	Luxor beige	-UZ,BT		
	997 521 381 00 OK6	saddle brown	-SZ		
	997 521 381 00 OG6	Bordeaux red	-LZ,BM		
	997 521 381 00 OH7	Graphite Blue	-HZ		
	997 521 381 00 OL8	Chalk	-BG		
(11)	991 521 381 00	Seat cover	rear	1	PR:388,389, 983,998
	991 521 381 00 8C0	Espresso	-NE		
	991 521 381 00 9EF	Cognac	-BY		
12	991 521 383 01	Cover	left side outer	1	PR:388,983, -998

Model: 991T13

Model life 2014&gt;&gt;

Pos	Part Number	Description	Remark	Qty	Model
	991 521 383 01 8YR	Black	-AZ		
	991 521 383 01 PL1	agate grey	-FZ		
	991 521 383 01 9H6	Luxor beige	-UZ,BT		
	991 521 383 01 OK6	saddle brown	-SZ		
	991 521 383 01 OG6	Bordeaux red	-LZ,BM		
	991 521 383 01 OH7	Graphite Blue	-HZ		
	991 521 383 01 OL8	Chalk	-BG		
(12)	991 521 383 00	Seat cover (leather)	left side outer	1	PR:388,983, 998
	991 521 383 00 8C0	Espresso	-NE		
	991 521 383 00 9EF	Cognac	-BY		
(12)	991 521 385 01	Cover	right side inner	1	PR:389,983, -998
	991 521 385 01 8YR	Black	-AZ		
	991 521 385 01 PL1	agate grey	-FZ		
	991 521 385 01 9H6	Luxor beige	-UZ,BT		
	991 521 385 01 OK6	saddle brown	-SZ		
	991 521 385 01 OG6	Bordeaux red	-LZ,BM		
	991 521 385 01 OH7	Graphite Blue	-HZ		
	991 521 385 01 OL8	Chalk	-BG		
(12)	991 521 385 00	Seat cover (leather)	right side inner	1	PR:389,983, 998
	991 521 385 00 8C0	Espresso	-NE		
	991 521 385 00 9EF	Cognac	-BY		
13	991 521 384 01	Cover	left side inner	1	PR:388,983, -998
	991 521 384 01 8YR	Black	-AZ		
	991 521 384 01 PL1	agate grey	-FZ		
	991 521 384 01 9H6	Luxor beige	-UZ,BT		
	991 521 384 01 OK6	saddle brown	-SZ		
	991 521 384 01 OG6	Bordeaux red	-LZ,BM		
	991 521 384 01 OH7	Graphite Blue	-HZ		
	991 521 384 01 OL8	Chalk	-BG		
(13)	991 521 384 00	Seat cover (leather)	left side inner	1	PR:388,983, 998
	991 521 384 00 8C0	Espresso	-NE		
	991 521 384 00 9EF	Cognac	-BY		
(13)	991 521 386 01	Cover	right side outer	1	PR:389,983, -998
	991 521 386 01 8YR	Black	-AZ		
	991 521 386 01 PL1	agate grey	-FZ		
	991 521 386 01 9H6	Luxor beige	-UZ,BT		
	991 521 386 01 OK6	saddle brown	-SZ		
	991 521 386 01 OG6	Bordeaux red	-LZ,BM		
	991 521 386 01 OH7	Graphite Blue	-HZ		
	991 521 386 01 OL8	Chalk	-BG		
(13)	991 521 386 00	Seat cover (leather)	right side outer	1	PR:389,983, 998
	991 521 386 00 8C0	Espresso	-NE		
	991 521 386 00 9EF	Cognac	-BY		
14	997 521 387 00	Backrest centre part w. cover		1	PR:388,389, 983,-998
	997 521 387 00 8YR	Black	-AZ		
	997 521 387 00 PL1	agate grey	-FZ		
	997 521 387 00 9H6	Luxor beige	-UZ,BT		
	997 521 387 00 OK6	saddle brown	-SZ		

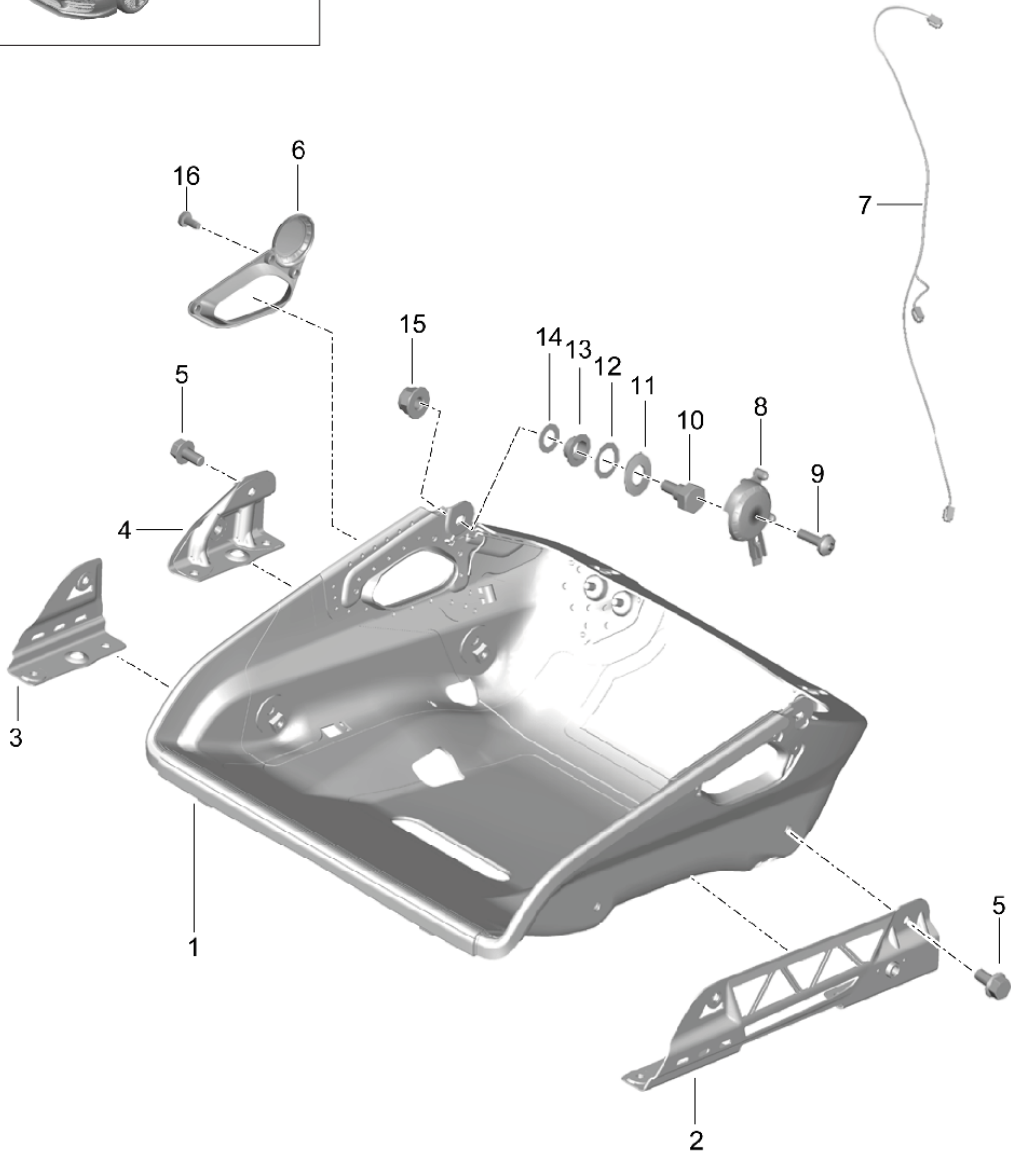
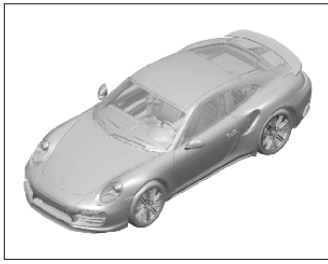
Model: 991T13

Model life 2014>>

Pos	Part Number	Description	Remark	Qty	Model
(14)	997 521 387 00 OG6	Bordeaux red	-LZ, BM	1	PR: 388, 389, 983, 998
	997 521 387 00 OH7	Graphite Blue	-HZ		
	997 521 387 00 OL8	Chalk	-BG		
	991 521 387 00	Backrest centre part w. cover			
15	991 521 387 00 8C0	Espresso	-NE	1	PR: 388, 389, 983, -998
	991 521 387 00 9EF	Cognac	-BY		
	991 521 388 01	Backrest cover	outer		
	991 521 388 01 8YR	Black	-AZ		
	991 521 388 01 PL1	agate grey	-FZ		
	991 521 388 01 9H6	Luxor beige	-UZ, BT		
	991 521 388 01 OK6	saddle brown	-SZ		
	991 521 388 01 OG6	Bordeaux red	-LZ, BM		
	991 521 388 01 OH7	Graphite Blue	-HZ		
	991 521 388 01 OL8	Chalk	-BG		
(15)	991 521 388 00	backrest cover (leather)	outer	1	PR: 388, 389, 983, 998
(15)	991 521 388 00 8C0	Espresso	-NE	1	PR: XSC, 388, 389, 983
	991 521 388 00 9EF	Cognac	-BY		
	991 521 981 16	Backrest cover Outer part			
(15)	991 521 981 16 GDC	Black	-AZ	1	PR: XSC, 388, 389, XWP, -998
	991 521 981 16 GHC	agate grey	-FZ		
	991 521 981 16 GTC	Graphite Blue	-HZ		
	991 521 981 16 DUE	saddle brown	-SZ		
	991 521 981 16 GFC	Luxor beige	-UZ, BT		
	991 521 981 16 GUC	Bordeaux red	-LZ, BM		
	991 521 981 16 GVC	Chalk	-BG		
	991 521 981 16	Backrest cover Outer part			
	991 521 981 16 GDC	Black	-AZ		
	991 521 981 17	Backrest cover Outer part			
(15)	991 521 981 17 GKC	Espresso	-NE	1	PR: XSC, 388, 389, 983, 998
	991 521 981 17 GRC	Cognac	-BY		

Model: 991T13

Model life 2014>>





Model: 991T13

Model life 2014&gt;&gt;

Pos	Part Number	Description	Remark	Qty	Model
1	997 521 281 00	bucket seat Collapsible Seat frame Accessories Cup Seat frame		2	PR:388,389
		without:			
2	997 521 433 00	seat occupied recognition Adapter Seat frame	outer left	1	PR:388
(2)	997 521 434 00	Discontinued part Adapter Seat frame	outer right	1	PR:389
3	997 521 436 00	Discontinued part Adapter Seat frame	front, inner right	1	PR:388
(3)	997 521 435 00	Discontinued part Adapter Seat frame	front, inner left	1	PR:389
		without:			
4	997 521 438 00	seat occupied recognition Discontinued part Adapter Seat frame	rear, inner right	1	PR:388
(4)	997 521 437 00	Discontinued part Adapter Seat frame	rear, inner left	1	PR:389
		without:			
5	999 217 168 01	seat occupied recognition Discontinued part Hexagon bolt M 8 X 16 Mount Seat rail bucket seat		4	
6	997 521 561 00	Trim Seat belt	left lower	1	PR:388,389
(6)	997 521 561 00 01C	Satin black			
	997 521 562 00	Trim Seat belt	right lower	1	PR:388,389
	997 521 562 00 01C	Satin black			
7	997 612 785 10	Wire set Side airbag unit		1	PR:388,389
8	997 521 563 00	Trim Hinge	left inner	1	PR:388,389
(8)	997 521 563 00 01C	Satin black			
	997 521 564 00	Trim Hinge	right inner	1	PR:388,389
	997 521 564 00 01C	Satin black			
9	999 073 456 01	flat round head bolt M4 X 12 Mount Trim	inner	2	
10	997 521 690 00	bearing pin Backrest shell Cup	lower	2	
11	999 523 019 01	Belleville spring A25		2	
12	999 234 034 00	fitted washer 12 X 18 X 0,2		2	
13	999 924 136 40	Plain bearing F12 X 5 X 14		2	
14	999 025 122 40	thrust washer		2	

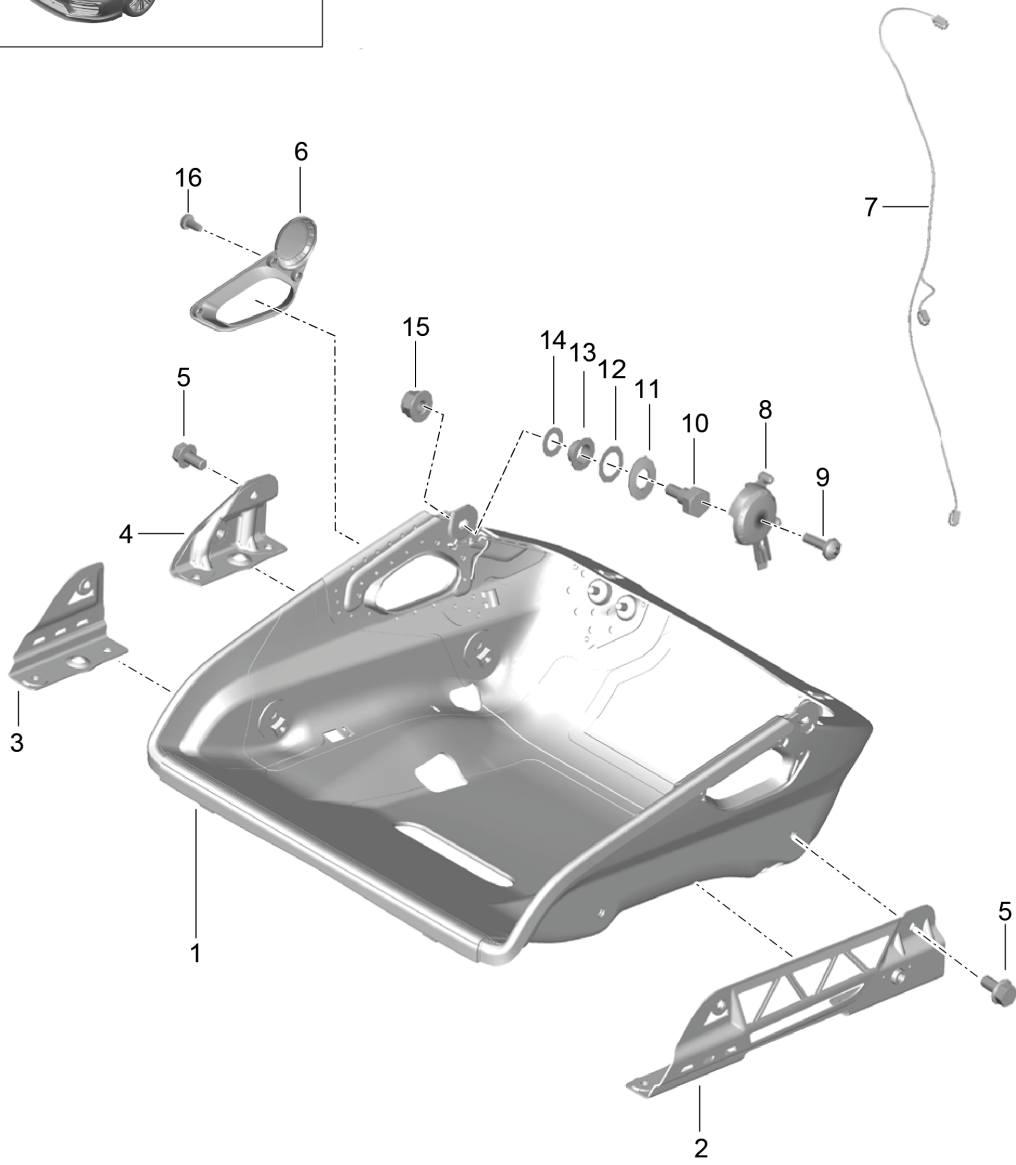
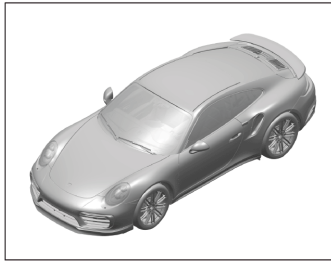
Model: 991T13

Model life 2014&gt;&gt;

Pos	Part Number	Description	Remark	Qty	Model
15	900 380 024 01	20 X 12 X 0,5 Outer hexagon round nut M8		2	
16	999 141 049 01	Oval-head screw M5 X 10 Mount Trim		3	

Model: 991T13

Model life 2014>>



Model: 991T13

Model life 2014>>

Pos	Part Number	Description	Remark	Qty	Model
1	991 521 281 00	bucket seat Collapsible Seat frame Accessories D - MJ 2017>> Cup Seat frame		2	PR:388,389
2	997 521 433 01	without: seat occupied recognition Adapter Seat frame	outer	1	PR:388
(2)	997 521 434 01	Adapter Seat frame	left outer	1	PR:389
(3)	997 521 436 01	Adapter Seat frame	right front, inner	1	PR:388
(3)	997 521 435 01	Adapter Seat frame	right front, inner left	1	PR:389
4	997 521 438 01	without: seat occupied recognition Adapter Seat frame	rear, inner right	1	PR:388
(4)	997 521 437 01	Adapter Seat frame	rear, inner left	1	PR:389
5	999 217 168 01	without: seat occupied recognition Hexagon bolt M 8 X 16 Mount Seat rail bucket seat		4	
6	997 521 561 00	Trim Seat belt	left lower	1	PR:388,389
(6)	997 521 561 00 01C 997 521 562 00	Satin black Trim Seat belt	right lower	1	PR:388,389
7	997 521 562 00 01C 997 612 785 10	Satin black Wire set Side airbag unit		1	PR:388,389, -342,-538
8	997 521 563 00	Trim Hinge	left inner	1	PR:388,389
(8)	997 521 563 00 01C 997 521 564 00	Satin black Trim Hinge	right inner	1	PR:388,389
9	997 521 564 00 01C 999 073 456 01	Satin black flat round head bolt M4 X 12 Mount Trim	inner	2	
10	997 521 690 01	bearing pin Backrest shell Cup	lower	2	
11	999 523 019 01	Belleville spring A25		2	
12	999 234 034 00	fitted washer 12 X 18 X 0,2		2	
13	999 924 136 40	Plain bearing F12 X 5 X 14		2	
14	999 025 122 40	thrust washer 20 X 12 X 0,5		2	
15	900 380 024 01	Outer hexagon round nut M8		2	
16	999 141 049 01	Oval-head screw M5 X 10		3	

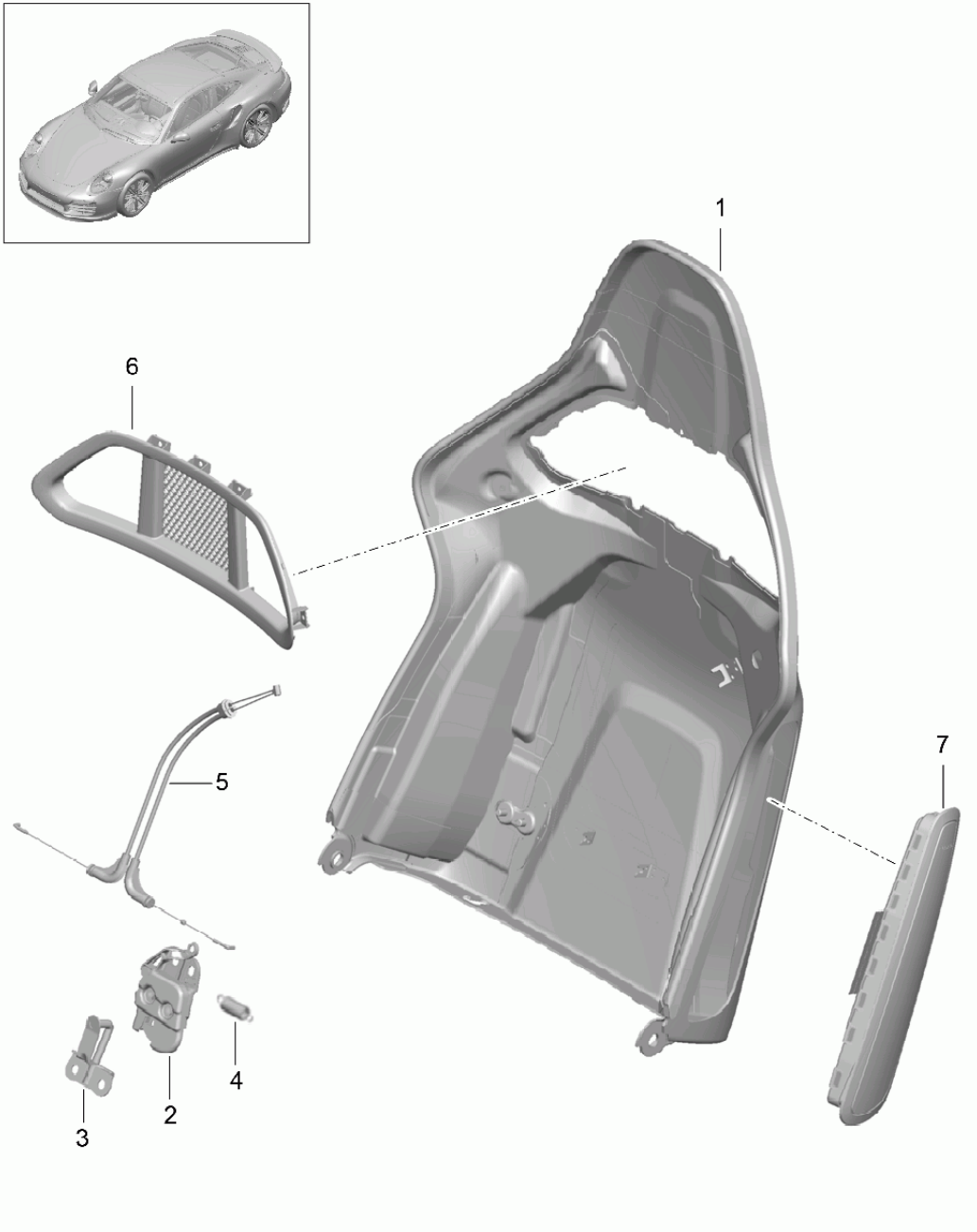
Model: 991T13

Model life 2014>>

Pos	Part Number	Description	Remark	Qty	Model
		Mount Trim			

Model: 991T13

Model life 2014>>



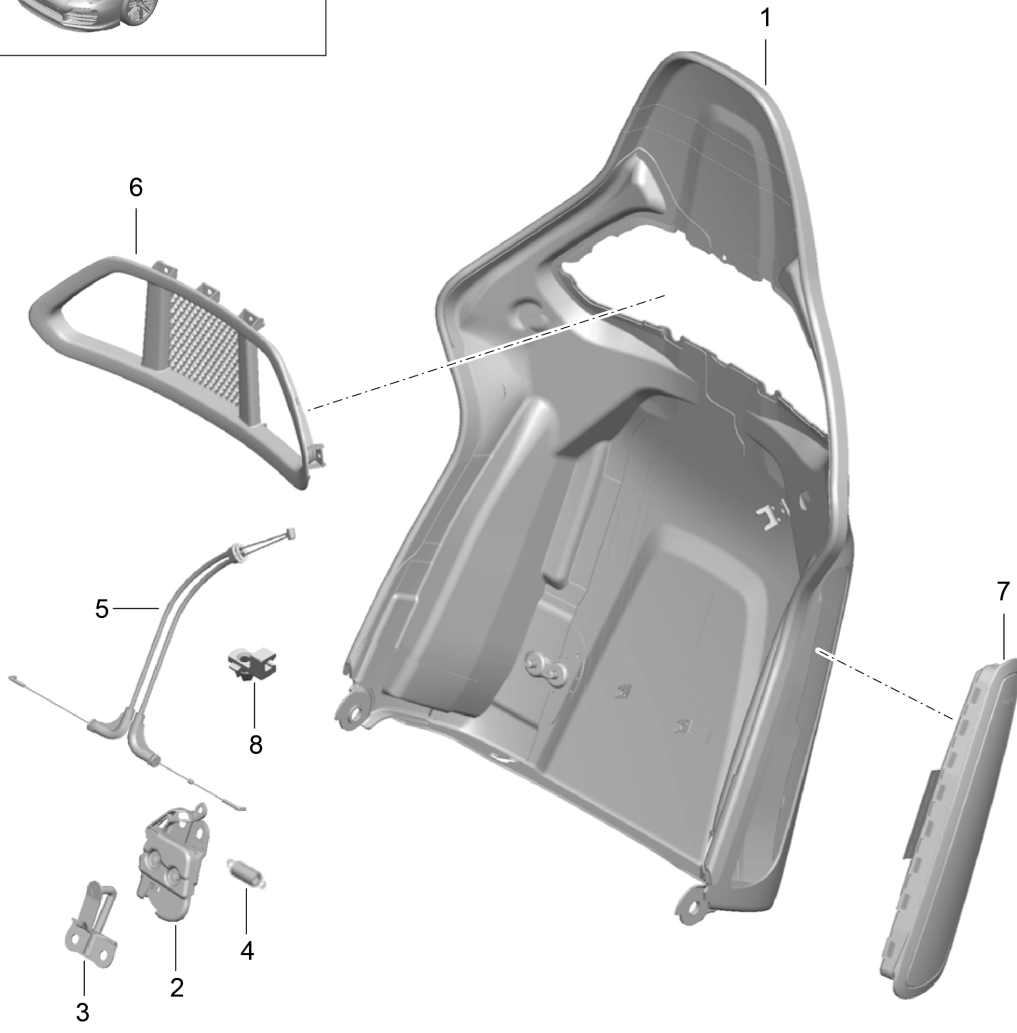
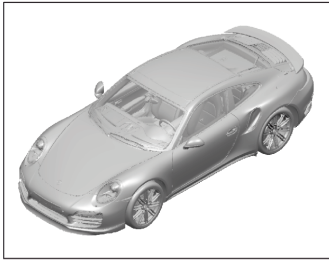
Model: 991T13

Model life 2014>>

Pos	Part Number	Description	Remark	Qty	Model
1	997 521 271 00	Backrest shell bucket seat Collapsible Accessories	left	1	PR:388
(1)	997 521 272 00	Backrest shell bucket seat Collapsible	right	1	PR:389
2	997 521 651 00	backrest lock	left	1	PR:388,389
(2)	997 521 652 00	backrest lock	right	1	PR:388,389
3	997 521 660 00	Closing element lock		2	PR:388,389
4	997 521 650 00	Backrest shell tension spring lock		2	PR:388,389
5	997 521 640 01	backrest Bowden cable Release		1	PR:388,389
6	997 521 330 00	backrest Trim	front	1	PR:388,389
(6)	997 521 330 00 01C	Seat belt Satin black			
	997 521 531 00	Trim	rear	1	PR:388,389
	997 521 531 00 01C	Seat belt Satin black			
7	997 803 081 01	Side airbag unit		1	PR:388
		Front seat			
(7)	997 803 081 01 A03	Black			
	997 803 082 01	Side airbag unit		1	PR:389
		Front seat			
	997 803 082 01 A03	Black			
-	999 507 147 40	Clip Bowden cable Front seat		1	

Model: 991T13

Model life 2014>>





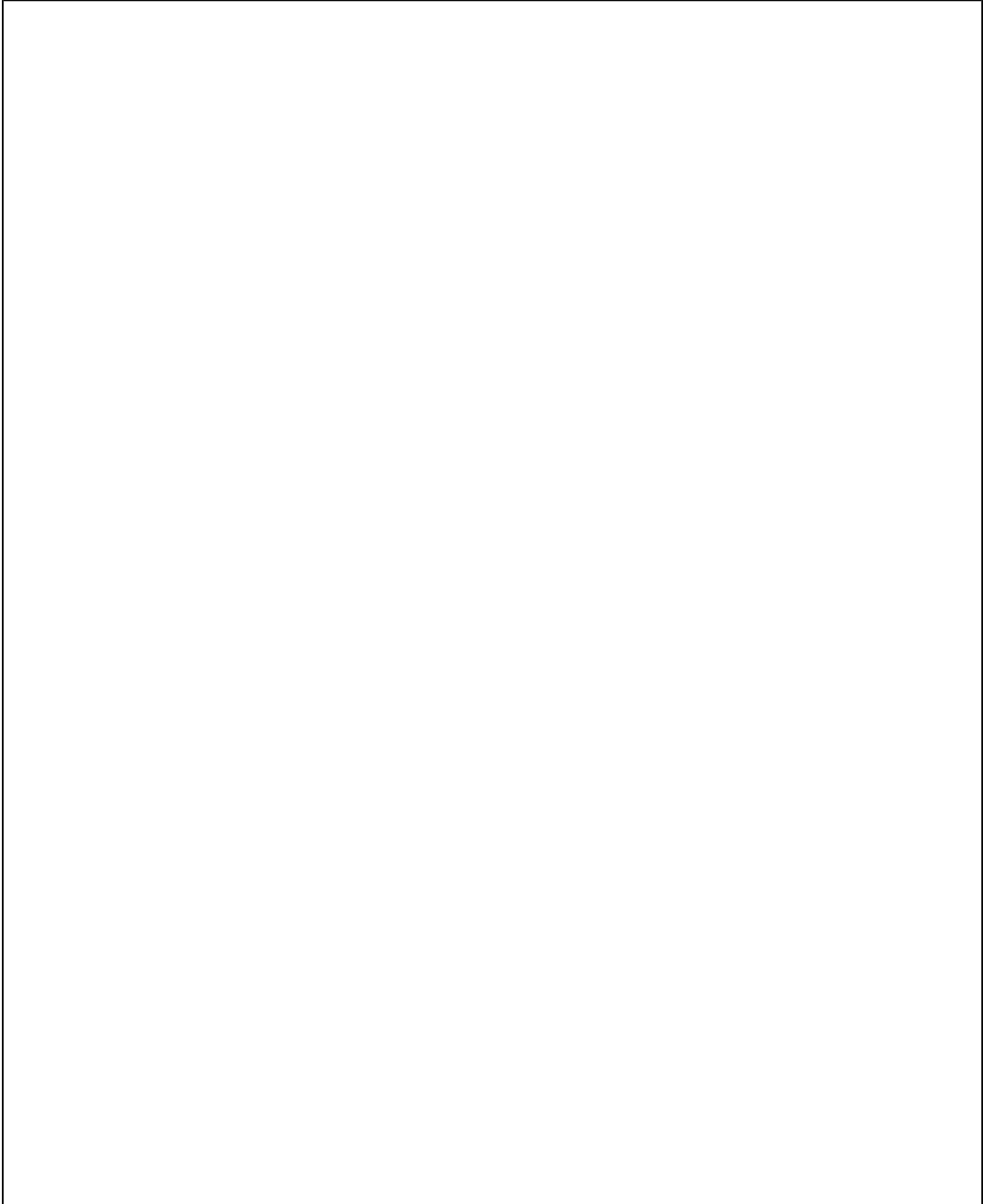
Model: 991T13

Model life 2014>>

Pos	Part Number	Description	Remark	Qty	Model
1	991 521 271 00	Backrest shell bucket seat Collapsible Accessories D - MJ 2017>>	left	1	PR:388
(1)	991 521 272 00	Backrest shell bucket seat Collapsible	right	1	PR:389
2	997 521 651 00	backrest lock	left	1	PR:388,389
(2)	997 521 652 00	backrest lock	right	1	PR:388,389
3	997 521 660 01	Closing element lock		2	PR:388,389
4	997 521 650 00	Backrest shell tension spring lock		2	PR:388,389
5	997 521 640 01	backrest Bowden cable Release		1	PR:388,389
6	997 521 330 00	backrest Trim	front	1	PR:388,389
(6)	997 521 330 00 01C	Seat belt Satin black			
	997 521 531 00	Trim Seat belt	rear	1	PR:388,389
7	997 521 531 00 01C	Satin black			
	997 803 081 02	Side airbag unit Front seat		1	PR:388
(7)	997 803 081 02 A03	Black			
	997 803 082 02	Side airbag unit Front seat		1	PR:389
8	997 803 082 02 A03	Black			
	999 507 147 40	Clip Bowden cable Front seat		1	

Model: 991T13

Model life 2014>>



Model: 991T13 Model life 2014>>

Pos	Part Number	Description	Remark	Qty	Model
1	991 521 401 90	bucket seat Seat frame Cover Foam part bucket seat	left	1	PR:373,374
		with:			
(1)	991 521 401 90 A3G	Airbag unit Carbon Gloss Black			
	991 521 402 90	bucket seat	right	1	
		with:			
	991 521 402 90 A3G	Airbag unit Carbon Gloss Black A3G			
2	991 521 903 00	repair set	left	1	
(2)	991 521 904 01	Seat frame	right	1	
3	918 521 513 00	Holder for fire extinguisher		1	PR:509
6	991 521 921 90	repair set		1	
		Trim Belt Guide			
7	918 521 301 00	Seat	left	1	
	918 521 301 00 8YR	Black	-43,63,68,78		
(7)	918 521 302 00	Seat	right	1	
	918 521 302 00 8YR	Black	-43,63,68,78		
8	918 521 561 00	Cable guide		1	
		Belt latch			
9	918 521 551 00	Foam part		1	
		Head restraint			
(9)	918 521 463 00	Foam part		1	
		Head restraint			
10	918 521 459 00	Foam part		1	
		backrest			
		SCHULTER			
11	918 521 531 00	Foam part		1	
		backrest			
		Outer part			
12	918 521 465 00	Foam part	left	1	
		backrest			
		Outer part			
(12)	918 521 466 00	Foam part	right	1	
		backrest			
		Outer part			
13	991 521 581 90	Foam part		1	
		backrest			
		Centre part			
15	918 521 535 00	Foam part	left	1	
		Seat cushion	outer		
(15)	918 521 536 00	Foam part	right	1	
		Seat cushion	outer		
16	991 521 181 80	Head restraint cover		1	PR:951,-808
	991 521 181 80 DRM	Black/Guards Red	-43,63,68		
	991 521 181 80 DRL	Black/Platinum Grey	-78		
(16)	991 521 181 81	Head restraint cover		1	PR:951,808
	991 521 181 81 DRS	Black/Guards Red	-43,63,68		
	991 521 181 81 DRY	Black/Platinum Grey	-78		
17	991 521 141 90	Backrest cover	left	1	PR:951
		Outer part			
	991 521 141 90 DRM	Black/Guards Red	-43,63,68		
	991 521 141 90 DRL	Black/Platinum Grey	-78		
(17)	991 521 142 90	Backrest cover	right	1	
		Outer part			
	991 521 142 90 DRM	Black/Guards Red	-43,63,68		
	991 521 142 90 DRL	Black/Platinum Grey	-78		

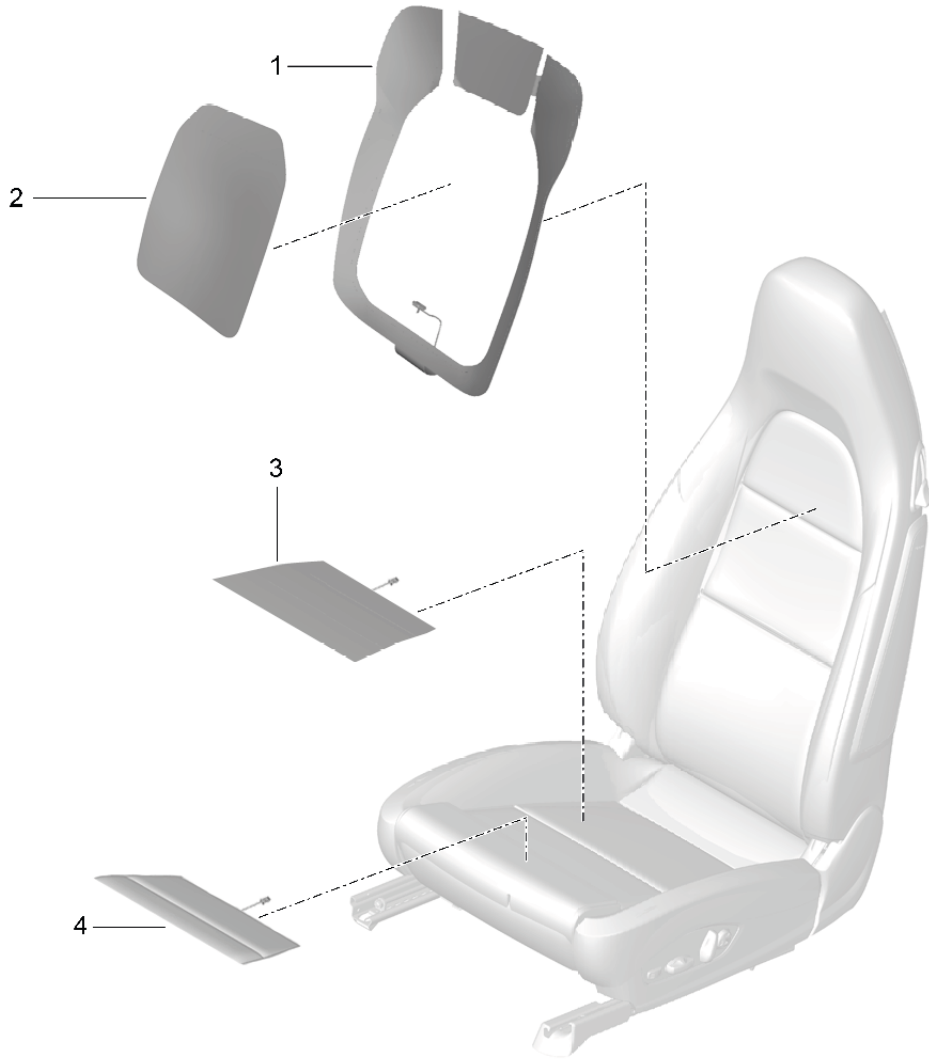
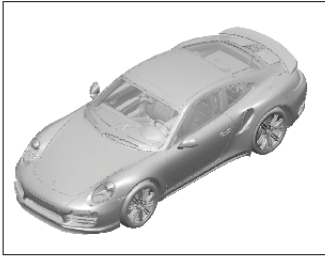
Model: 991T13

Model life 2014>>

Pos	Part Number	Description	Remark	Qty	Model
18	991 521 151 90	Backrest centre part w. cover		1	
	991 521 151 90 N13	guards red (Porsche)	-43,63		
	991 521 151 90 2W0	Black	-68,78		
19	918 521 161 12	Cover		1	PR:-560
		Seat cushion			
	918 521 161 12 N13	guards red (Porsche)	-43,63		
	918 521 161 12 2W0	Black	-68,78		
(19)	918 521 161 16	Cover		1	PR:560
		Seat cushion			
	918 521 161 16 N13	guards red (Porsche)	-43,63		
	918 521 161 16 2W0	Black	-68,78		
20	9A7 007 483 00	Outer hexagon round screw		1	
		M10X28			
30	918 613 201 01	Switch		1	
	918 613 201 01 5Q0	Black	-43,63,68,78		

Model: 991T13

Model life 2014>>



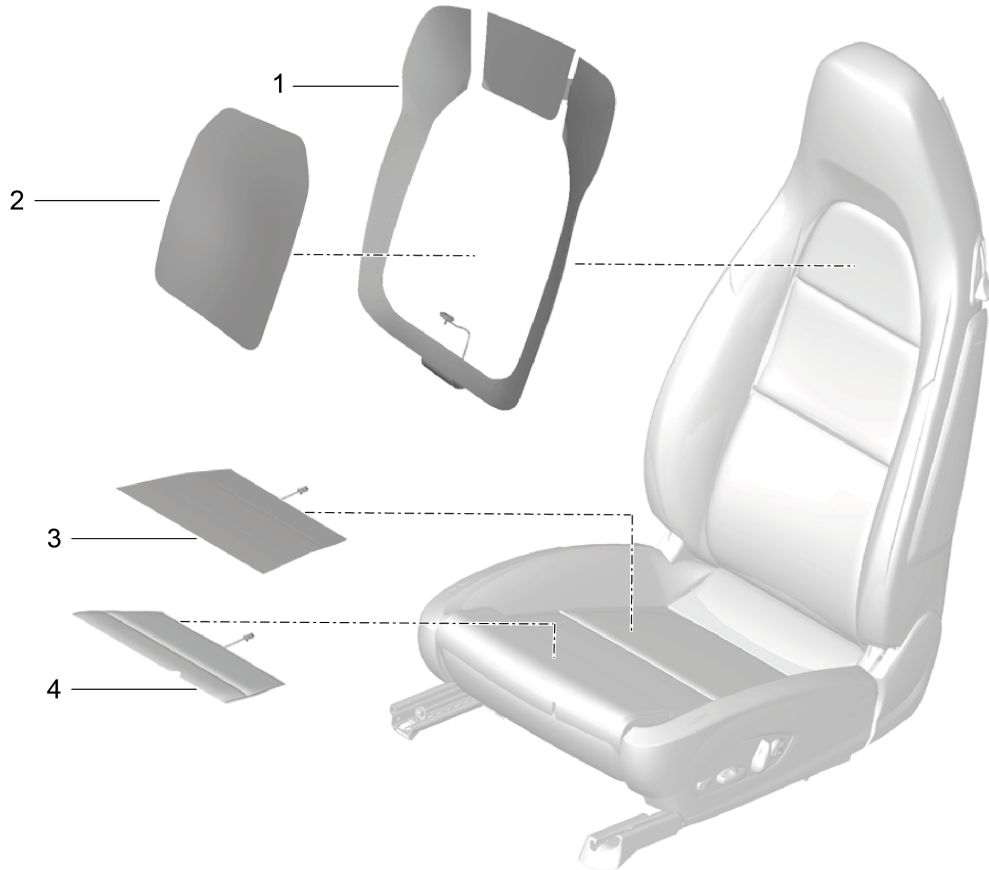
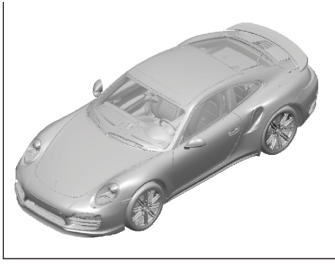
Model: 991T13

Model life 2014>>

Pos	Part Number	Description	Remark	Qty	Model
1	991 653 107 02	Heating element Backrest side bolster Centre part Seat surface	left	2	PR:321,322, 342
(1)	991 653 127 02	Heating element Backrest side bolster	left	2	PR:319,320, 323,324,342
(1)	991 653 108 02	Heating element Backrest side bolster	right	2	PR:321,322, 342
(1)	991 653 126 02	Heating element Backrest side bolster	right	2	PR:319,320, 323,324,342
2	991 653 106 02	Heating element Centre part backrest		2	PR:319,320, 321,322,323, 324,342
3	991 653 125 03	Heating element Seat cushion		2	PR:319,320, 342
4	991 653 135 03	Heating element Seat cushion Adjustable Deep		2	PR:323,324, 342

Model: 991T13

Model life 2014>>



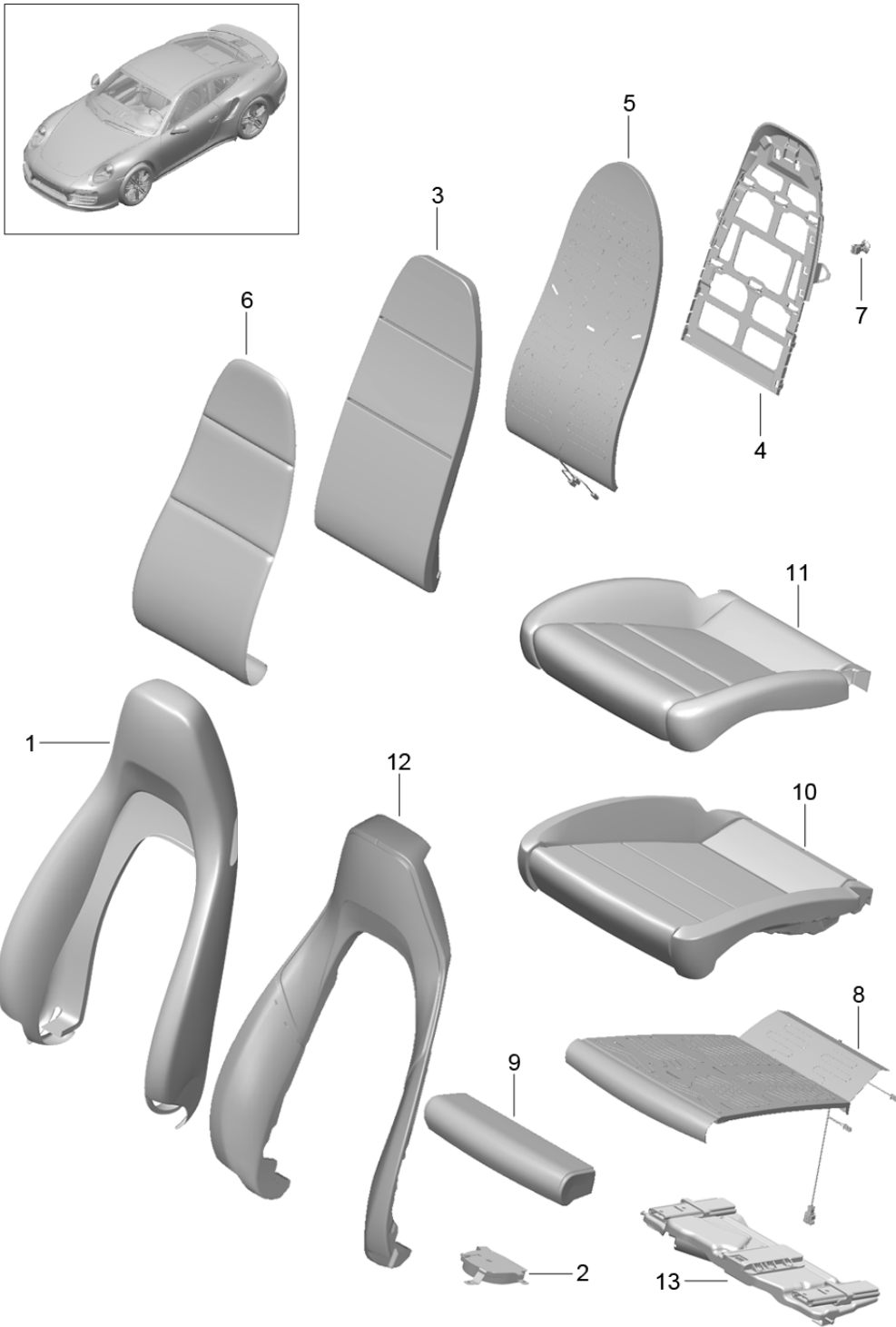
Model: 991T13 Model life 2014>>

Pos	Part Number	Description	Remark	Qty	Model
1	991 653 107 02	Heating element Backrest side bolster Centre part Seat surface D - MJ 2017>>	left	2	PR:321,322, 342,-541
(1)	991 653 127 02	Heating element Backrest side bolster	left	2	PR:319,320, 323,324,342, -541
(1)	991 653 108 02	Heating element Backrest side bolster	right	2	PR:321,322, 342,-541
(1)	991 653 126 02	Heating element Backrest side bolster	right	2	PR:319,320, 323,324,342, -541
2	991 653 106 02	Heating element Centre part backrest		2	PR:319,320, 321,322,323, 324,342,-541
3	991 653 125 03	Heating element Seat cushion		2	PR:319,320, 342,-541
4	991 653 135 03	Heating element Seat cushion Adjustable Deep		2	PR:323,324, 342,-541



Model: 991T13

Model life 2014>>



Model: 991T13 Model life 2014>>

Pos	Part Number	Description	Remark	Qty	Model
		Foam part			PR:321,322
		Cover			
1	991 521 141 13	sports seat			
		Backrest cover	left	1	PR:321,983
		Outer part			
		sports seat			
	991 521 141 13 GDC	Black	-AZ		
	991 521 141 13 GEC	Platinum Grey	-CZ, BR		
	991 521 141 13 GFC	Luxor beige	-UZ, BL		
	991 521 141 13 GGC	yachting blue	-EZ		
	991 521 141 13 GHC	agate grey	-DK		
	991 521 141 13 GJC	Umber			
	991 521 141 13 GLC	Carrera Red	-BA, BQ		
	991 521 141 13 GMC	flint grey	-BV		
(1)	991 521 141 15	Backrest cover	left	1	PR:321,541,983
		Outer part			
		sports seat			
	991 521 141 15 GDC	Black	-AZ		
	991 521 141 15 GEC	Platinum Grey	-CZ, BR		
	991 521 141 15 GFC	Luxor beige	-UZ, BL		
	991 521 141 15 GGC	yachting blue	-EZ		
	991 521 141 15 GHC	agate grey	-DK		
	991 521 141 15 GJC	Umber			
	991 521 141 15 GLC	Carrera Red	-BA, BQ		
	991 521 141 15 GMC	flint grey	-BV		
(1)	991 521 141 16	Backrest cover	left	1	PR:321,983,998
		Outer part			
		sports seat			
	991 521 141 16 GKC	Espresso	-NE		
	991 521 141 16 GLC	Carrera Red	-NG		
	991 521 141 16 GRC	Cognac	-BH		
(1)	991 521 141 17	Backrest cover	left	1	PR:321,541,983,998
		Outer part			
		sports seat			
	991 521 141 17 GKC	Espresso	-NE		
	991 521 141 17 GLC	Carrera Red	-NG		
	991 521 141 17 GRC	Cognac	-BH		
(1)	991 521 981 12	Backrest cover	left	1	PR:XSC,321,983
		Outer part			
		sports seat			
	991 521 981 12 GDC	Black	-AZ		
	991 521 981 12 GEC	Platinum Grey	-CZ, BR		
	991 521 981 12 GFC	Luxor beige	-UZ, BL		
	991 521 981 12 GGC	yachting blue	-EZ		
	991 521 981 12 GHC	agate grey	-DK		
	991 521 981 12 GJC	Umber			
	991 521 981 12 GLC	Carrera Red	-BA, BQ		
	991 521 981 12 GMC	flint grey	-BV		
(1)	991 521 981 13	Backrest cover	left	1	PR:XSC,321,541,983
		Outer part			
		sports seat			
	991 521 981 13 GDC	Black	-AZ		
	991 521 981 13 GEC	Platinum Grey	-CZ, BR		
	991 521 981 13 GFC	Luxor beige	-UZ, BL		
	991 521 981 13 GGC	yachting blue	-EZ		
	991 521 981 13 GHC	agate grey	-DK		
	991 521 981 13 GJC	Umber			
	991 521 981 13 GLC	Carrera Red	-BA, BQ		
	991 521 981 13 GMC	flint grey	-BV		
(1)	991 521 981 14	Backrest cover	left	1	PR:XSC,321,983,998
		Outer part			
		sports seat			
	991 521 981 14 GKC	Espresso	-NE		

Model: 991T13 Model life 2014>>

Pos	Part Number	Description	Remark	Qty	Model
(1)	991 521 981 14 GLC	Carrera Red	-NG	1	PR:XSC,321, 541,983,998
	991 521 981 14 GRC	Cognac	-BH		
	991 521 981 15	Backrest cover Outer part sports seat	left		
(1)	991 521 981 15 GKC	Espresso	-NE	1	PR:322,983
	991 521 981 15 GLC	Carrera Red	-NG		
	991 521 981 15 GRC	Cognac	-BH		
(1)	991 521 142 13	Backrest cover Outer part sports seat	right	1	PR:322,541, 983
	991 521 142 13 GDC	Black	-AZ		
	991 521 142 13 GEC	Platinum Grey	-CZ,BR		
	991 521 142 13 GFC	Luxor beige	-UZ,BL		
	991 521 142 13 GGC	yachting blue	-EZ		
	991 521 142 13 GHC	agate grey	-DK		
	991 521 142 13 GJC	Umber			
	991 521 142 13 GLC	Carrera Red	-BA,BQ		
	991 521 142 13 GMC	flint grey	-BV		
	991 521 142 15	Backrest cover Outer part sports seat	right		
(1)	991 521 142 15 GDC	Black	-AZ	1	PR:322,983, 998
	991 521 142 15 GEC	Platinum Grey	-CZ,BR		
	991 521 142 15 GFC	Luxor beige	-UZ,BL		
	991 521 142 15 GGC	yachting blue	-EZ		
	991 521 142 15 GHC	agate grey	-DK		
	991 521 142 15 GJC	Umber			
	991 521 142 15 GLC	Carrera Red	-BA,BQ		
	991 521 142 15 GMC	flint grey	-BV		
	991 521 142 16	Backrest cover Outer part sports seat	right		
	991 521 142 16 GKC	Espresso	-NE		
(1)	991 521 142 16 GLC	Carrera Red	-NG	1	PR:322,541, 983,998
	991 521 142 16 GRC	Cognac	-BH		
	991 521 142 17	Backrest cover Outer part sports seat	right		
(1)	991 521 142 17 GKC	Espresso	-NE	1	PR:XSC,321, 983
	991 521 142 17 GLC	Carrera Red	-NG		
	991 521 142 17 GRC	Cognac	-BH		
(1)	991 521 982 12	Backrest cover Outer part sports seat	right	1	PR:XSC,322, 541,983
	991 521 982 12 GDC	Black	-AZ		
	991 521 982 12 GEC	Platinum Grey	-CZ,BR		
	991 521 982 12 GFC	Luxor beige	-UZ,BL		
	991 521 982 12 GGC	yachting blue	-EZ		
	991 521 982 12 GHC	agate grey	-DK		
	991 521 982 12 GJC	Umber			
	991 521 982 12 GLC	Carrera Red	-BA,BQ		
	991 521 982 12 GMC	flint grey	-BV		
	991 521 982 13	Backrest cover Outer part sports seat	right		
(1)	991 521 982 13 GDC	Black	-AZ	1	PR:XSC,322, 541,983
	991 521 982 13 GEC	Platinum Grey	-CZ,BR		
	991 521 982 13 GFC	Luxor beige	-UZ,BL		
	991 521 982 13 GGC	yachting blue	-EZ		
	991 521 982 13 GHC	agate grey	-DK		
	991 521 982 13 GJC	Umber			
	991 521 982 13 GLC	Carrera Red	-BA,BQ		

Model: 991T13 Model life 2014>>

Pos	Part Number	Description	Remark	Qty	Model
(1)	991 521 982 13 GMC 991 521 982 14	flint grey Backrest cover Outer part sports seat	-BV right	1	PR:XSC,322, 983,998
	991 521 982 14 GKC	Espresso	-NE		
	991 521 982 14 GLC	Carrera Red	-NG		
	991 521 982 14 GRC	Cognac	-BH		
(1)	991 521 982 15	Backrest cover Outer part sports seat	right	1	PR:XSC,322, 541,983,998
	991 521 982 15 GKC	Espresso	-NE		
	991 521 982 15 GLC	Carrera Red	-NG		
	991 521 982 15 GRC	Cognac	-BV		
2	997 624 335 00	Electric motor Seat cushion sports seat		1	PR:541
3	991 521 581 01	Foam part backrest Centre part sports seat	left a. right	1	PR:321,322, 541
(3)	991 521 581 00	Foam part backrest Centre part sports seat	left a. right	1	PR:321,322
4	991 521 551 00	Backrest-padding support part sports seat	left a. right	1	PR:321,322
5	991 521 731 01	Airbag backrest sports seat	left a. right	1	PR:321,322, 541
6	991 521 151 01	Backrest cushion cover Centre part sports seat	left a. right	1	PR:321,322, 983
	991 521 151 01 8YR	Black	-AZ		
	991 521 151 01 7A0	Platinum Grey	-CZ		
	991 521 151 01 9H6	Luxor beige	-UZ		
	991 521 151 01 6U7	yachting blue	-EZ		
	991 521 151 01 DE1	Umber	-RK		
	991 521 151 01 PL1	agate grey	-DK		
	991 521 151 01 PQ4	flint grey	-BV		
	991 521 151 01 N11	Carrera Red	-BA,BQ		
(6)	991 521 151 03	Backrest cushion cover Centre part sports seat	left a. right	1	PR:321,322, 541,983
	991 521 151 03 8YR	Black	-AZ		
	991 521 151 03 7A0	Platinum Grey	-CZ		
	991 521 151 03 9H6	Luxor beige	-UZ		
	991 521 151 03 6U7	yachting blue	-EZ		
	991 521 151 03 DE1	Umber	-RK		
	991 521 151 03 PL1	agate grey	-DK		
	991 521 151 03 PQ4	flint grey	-BV		
	991 521 151 03 N11	Carrera Red	-BA,BQ		
(6)	991 521 151 05	Backrest cushion cover Centre part sports seat	left a. right	1	PR:321,322, 983,998
	991 521 151 05 8C0	Espresso	-NE		
	991 521 151 05 N11	Carrera Red	-NG		
	991 521 151 05 9EF	Cognac	-BH		
(6)	991 521 151 06	Backrest cushion cover Centre part sports seat	left a. right	1	PR:321,322, 983,998,541
	991 521 151 06 8C0	Espresso	-NE		
	991 521 151 06 N11	Carrera Red	-NG		
	991 521 151 06 9EF	Cognac	-BH		

Model: 991T13 Model life 2014>>

Pos	Part Number	Description	Remark	Qty	Model
7	991 521 899 00	Clip Cushioning backrest sports seat	left a. right	1	PR:321,322
8	991 521 721 05	Airbag with heating Seat cushion sports seat Position Deep Adjustable		1	PR:321,322, 541
9	991 521 539 00	Foam part Seat cushion sports seat Position Deep Adjustable		1	PR:321,322
(9)	970 521 549 00	Foam part Seat cushion Carrier Cushioning sports seat Position Deep Adjustable		1	PR:321,322
(9)	991 521 539 01	Foam part Seat cushion sports seat Position Deep Adjustable		1	PR:321,322, 541
10	991 521 571 02	Foam part Seat cushion sports seat Adjustable	left	1	PR:321
(10)	991 521 571 03	Foam part Seat cushion sports seat Adjustable	left	1	PR:321,541
(10)	991 521 572 10	Foam part Seat cushion sports seat Adjustable	right	1	PR:322
(10)	991 521 572 11	Foam part Seat cushion sports seat Adjustable	right	1	PR:322,541
11	991 521 161 33	Seat cover sports seat	left	1	PR:321,983
	991 521 161 33 GDC	Black	-AZ		
	991 521 161 33 GEC	Platinum Grey	-CZ,BR		
	991 521 161 33 GFC	Luxor beige	-UZ,BL		
	991 521 161 33 GGC	yachting blue	-EZ		
	991 521 161 33 GHC	agate grey	-DK		
	991 521 161 33 GJC	Umber			
	991 521 161 33 GLC	Carrera Red	-BA,BQ		
	991 521 161 33 GMC	flint grey	-BV		
(11)	991 521 161 36	Seat cover sports seat	left	1	PR:321,541, 983
	991 521 161 36 GDC	Black	-AZ		
	991 521 161 36 GEC	Platinum Grey	-CZ,BR		
	991 521 161 36 GFC	Luxor beige	-UZ,BL		
	991 521 161 36 GGC	yachting blue	-EZ		

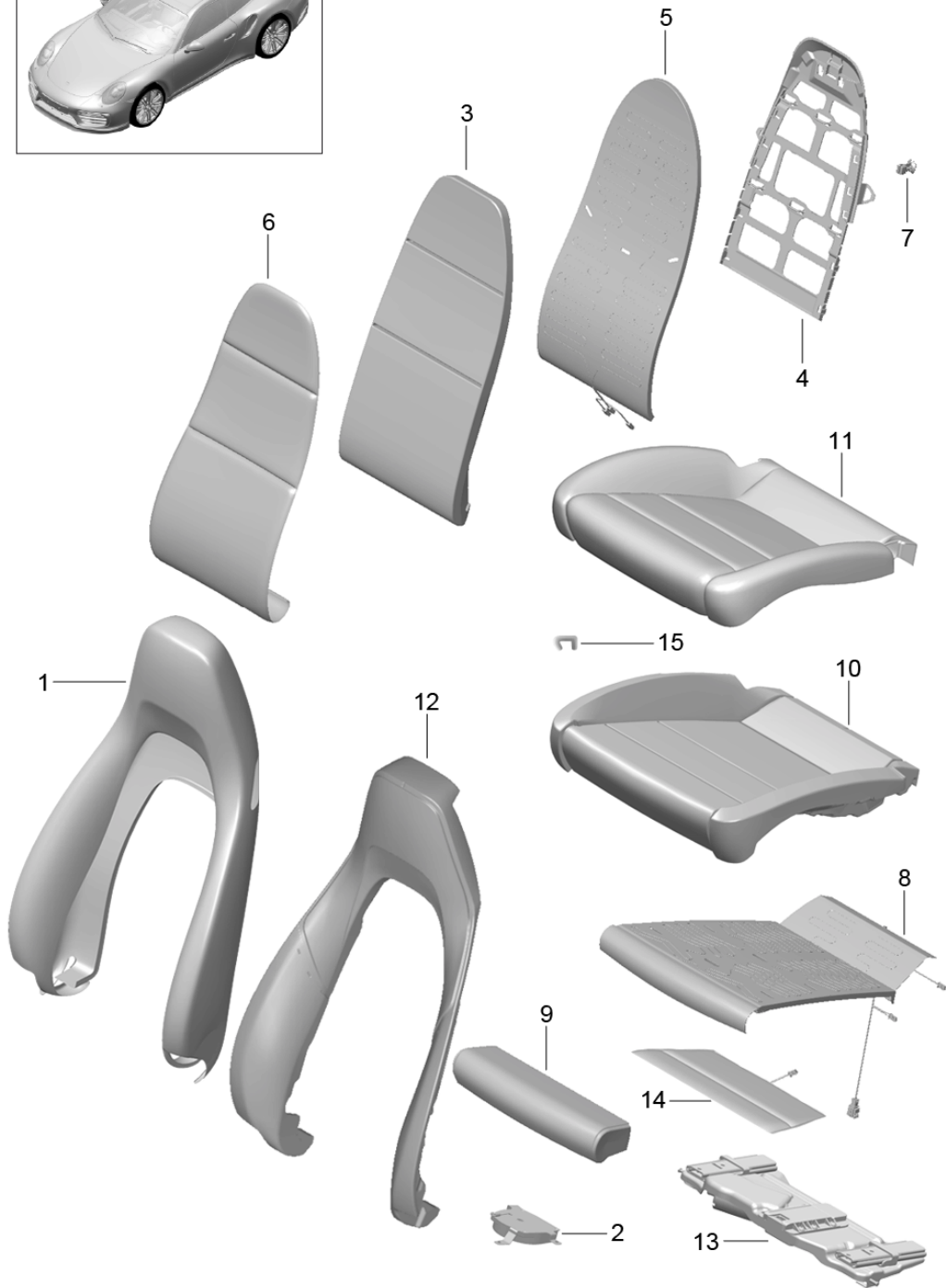
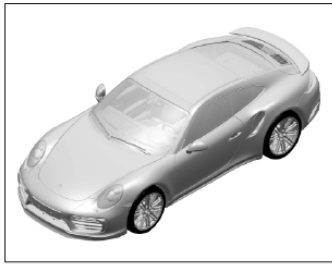
Model: 991T13

Model life 2014>>

Pos	Part Number	Description	Remark	Qty	Model
	991 521 161 36 GHC	agate grey	-DK		
	991 521 161 36 GJC	Umber			
	991 521 161 36 GMC	flint grey	-BA,BQ		
	991 521 161 36 GLC	Carrera Red	-BV		
(11)	991 521 161 34	Seat cover sports seat	left	1	PR:321,983, 998
	991 521 161 34 GKC	Espresso	-NE		
	991 521 161 34 GLC	Carrera Red	-NG		
	991 521 161 34 GRC	Cognac	-BH		
(11)	991 521 161 37	Seat cover sports seat	left	1	PR:321,541, 983,998
	991 521 161 37 GKC	Espresso	-NE		
	991 521 161 37 GLC	Carrera Red	-NG		
	991 521 161 37 GRC	Cognac	-BH		
(11)	991 521 162 33	Seat cover sports seat	right	1	PR:322,983
	991 521 162 33 GDC	Black	-AZ		
	991 521 162 33 GEC	Platinum Grey	-CZ,BR		
	991 521 162 33 GFC	Luxor beige	-UZ,BL		
	991 521 162 33 GGC	yachting blue	-EZ		
	991 521 162 33 GHC	agate grey	-DK		
	991 521 162 33 GJC	Umber			
	991 521 162 33 GLC	Carrera Red	-BA,BQ		
	991 521 162 33 GMC	flint grey	-BV		
(11)	991 521 162 36	Seat cover sports seat	right	1	PR:322,541, 983
	991 521 162 36 GDC	Black	-AZ		
	991 521 162 36 GEC	Platinum Grey	-CZ,BR		
	991 521 162 36 GFC	Luxor beige	-UZ,BL		
	991 521 162 36 GGC	yachting blue	-EZ		
	991 521 162 36 GHC	agate grey	-DK		
	991 521 162 36 GJC	Umber			
	991 521 162 36 GMC	flint grey	-BA,BQ		
	991 521 162 36 GLC	Carrera Red	-BV		
(11)	991 521 162 34	Seat cover sports seat	right	1	PR:322,983, 998
	991 521 162 34 GKC	Espresso	-NE		
	991 521 162 34 GLC	Carrera Red	-NG		
	991 521 162 34 GRC	Cognac	-BH		
(11)	991 521 162 37	Seat cover sports seat	right	1	PR:322,541, 983,998
	991 521 162 37 GKC	Espresso	-NE		
	991 521 162 37 GLC	Carrera Red	-NG		
	991 521 162 37 GRC	Cognac	-BH		
12	991 521 535 00	Foam part backrest	left a. right	1	PR:321,322
(12)	991 521 535 01	Outer part backrest	left a. right	1	PR:321,322, 541
-	991 653 116 04	Outer part Heating element Seat cushion Position Deep	left a. right	1	PR:321,322, 342
13	970 521 749 00	Adjustable Electric drive Seat cushion Position Deep Adjustment		1	PR:321,322

Model: 991T13

Model life 2014>>



Model: 991T13 Model life 2014>>

Pos	Part Number	Description	Remark	Qty	Model
		Foam part Cover sports seat D - MJ 2017>>			PR:321,322
1	991 521 141 13	Backrest cover Outer part sports seat	left	1	PR:983,-541,-998
	991 521 141 13 GDC	Black	-AZ		
	991 521 141 13 GHC	agate grey	-FZ		
	991 521 141 13 GTC	Graphite Blue	-HZ		
	991 521 141 13 DUE	saddle brown	-SZ		
	991 521 141 13 GFC	Luxor beige	-UZ,BT		
	991 521 141 13 GUC	Bordeaux red	-LZ,BM		
	991 521 141 13 GVC	Chalk	-BG		
(1)	991 521 141 15	Backrest cover Outer part sports seat	left	1	PR:541,983,-998
	991 521 141 15 GDC	Black	-AZ		
	991 521 141 15 GHC	agate grey	-FZ		
	991 521 141 15 GTC	Graphite Blue	-HZ		
	991 521 141 15 DUE	saddle brown	-SZ		
	991 521 141 15 GFC	Luxor beige	-UZ,BT		
	991 521 141 15 GUC	Bordeaux red	-LZ,BM		
	991 521 141 15 GVC	Chalk	-BG		
(1)	991 521 141 16	Backrest cover Outer part sports seat	left	1	PR:983,998,-541
	991 521 141 16 GKC	Espresso	-NE		
	991 521 141 16 GRC	Cognac	-BY		
(1)	991 521 141 17	Backrest cover Outer part sports seat	left	1	PR:541,983,998
	991 521 141 17 GKC	Espresso	-NE		
	991 521 141 17 GRC	Cognac	-BY		
(1)	991 521 981 12	Backrest cover Outer part sports seat Porsche crest	left	1	PR:XSC,983,-541,-998
	991 521 981 12 GDC	Black	-AZ		
	991 521 981 12 GHC	agate grey	-FZ		
	991 521 981 12 GTC	Graphite Blue	-HZ		
	991 521 981 12 DUE	saddle brown	-SZ		
	991 521 981 12 GFC	Luxor beige	-UZ,BT		
	991 521 981 12 GUC	Bordeaux red	-LZ,BM		
	991 521 981 12 GVC	Chalk	-BG		
(1)	991 521 981 13	Backrest cover Outer part sports seat Porsche crest	left	1	PR:XSC,541,983,-998
	991 521 981 13 GDC	Black	-AZ		
	991 521 981 13 GHC	agate grey	-FZ		
	991 521 981 13 GTC	Graphite Blue	-HZ		
	991 521 981 13 DUE	saddle brown	-SZ		
	991 521 981 13 GFC	Luxor beige	-UZ,BT		
	991 521 981 13 GUC	Bordeaux red	-LZ,BM		
	991 521 981 13 GVC	Chalk	-BG		
(1)	991 521 981 14	Backrest cover Outer part sports seat Porsche crest	left	1	PR:XSC,983,998,-541
	991 521 981 14 GKC	Espresso	-NE		
	991 521 981 14 GRC	Cognac	-BY		
(1)	991 521 981 15	Backrest cover	left	1	PR:XSC,541,



Model: 991T13 Model life 2014>>

Pos	Part Number	Description	Remark	Qty	Model
		Outer part sports seat Porsche crest			983,998
	991 521 981 15 GKC	Espresso	-NE		
	991 521 981 15 GRC	Cognac	-BY		
(1)	991 521 142 13	Backrest cover Outer part sports seat	right	1	PR:983,-541, -998
	991 521 142 13 GDC	Black	-AZ		
	991 521 142 13 GHC	agate grey	-FZ		
	991 521 142 13 GTC	Graphite Blue	-HZ		
	991 521 142 13 DUE	saddle brown	-SZ		
	991 521 142 13 GFC	Luxor beige	-UZ,BT		
	991 521 142 13 GUC	Bordeaux red	-LZ,BM		
	991 521 142 13 GVC	Chalk	-BG		
(1)	991 521 142 15	Backrest cover Outer part sports seat	right	1	PR:541,983, -998
	991 521 142 15 GDC	Black	-AZ		
	991 521 142 15 GHC	agate grey	-FZ		
	991 521 142 15 GTC	Graphite Blue	-HZ		
	991 521 142 15 DUE	saddle brown	-SZ		
	991 521 142 15 GFC	Luxor beige	-UZ,BT		
	991 521 142 15 GUC	Bordeaux red	-LZ,BM		
	991 521 142 15 GVC	Chalk	-BG		
(1)	991 521 142 16	Backrest cover Outer part sports seat	right	1	PR:983,998, -541
	991 521 142 16 GKC	Espresso	-NE		
	991 521 142 16 GRC	Cognac	-BY		
(1)	991 521 142 17	Backrest cover Outer part sports seat	right	1	PR:541,983, 998
	991 521 142 17 GKC	Espresso	-NE		
	991 521 142 17 GRC	Cognac	-BY		
(1)	991 521 982 12	Backrest cover Outer part sports seat Porsche crest	right	1	PR:XSC,983, -541,-998
	991 521 982 12 GDC	Black	-AZ		
	991 521 982 12 GHC	agate grey	-FZ		
	991 521 982 12 GTC	Graphite Blue	-HZ		
	991 521 982 12 DUE	saddle brown	-SZ		
	991 521 982 12 GFC	Luxor beige	-UZ,BT		
	991 521 982 12 GUC	Bordeaux red	-LZ,BM		
	991 521 982 12 GVC	Chalk	-BG		
(1)	991 521 982 13	Backrest cover Outer part sports seat Porsche crest	right	1	PR:XSC,541, 983,-998
	991 521 982 13 GDC	Black	-AZ		
	991 521 982 13 GHC	agate grey	-FZ		
	991 521 982 13 GTC	Graphite Blue	-HZ		
	991 521 982 13 DUE	saddle brown	-SZ		
	991 521 982 13 GFC	Luxor beige	-UZ,BT		
	991 521 982 13 GUC	Bordeaux red	-LZ,BM		
	991 521 982 13 GVC	Chalk	-BG		
(1)	991 521 982 14	Backrest cover Outer part sports seat Porsche crest	right	1	PR:XSC,983, 998,-541
	991 521 982 14 GKC	Espresso	-NE		
	991 521 982 14 GRC	Cognac	-BY		

Model: 991T13 Model life 2014>>

Pos	Part Number	Description	Remark	Qty	Model
(1)	991 521 982 15	Backrest cover Outer part sports seat Porsche crest	right	1	PR:XSC,541, 983,998
	991 521 982 15 GKC	Espresso	-NE		
	991 521 982 15 GRC	Cognac	-BY		
2	997 624 335 00	Electric motor Seat cushion sports seat		1	PR:541
3	991 521 581 01	Foam part backrest Centre part sports seat	left a. right	1	PR:541
(3)	991 521 581 00	Foam part backrest Centre part sports seat	left a. right	1	PR:-541
4	991 521 551 00	Backrest-padding support part sports seat	left a. right	1	
5	991 521 731 01	Airbag backrest sports seat	left a. right	1	PR:541
6	991 521 151 01	Backrest cushion cover Centre part sports seat	left a. right	1	PR:983,-541, -998
	991 521 151 01 8YR	Black	-AZ		
	991 521 151 01 PL1	agate grey	-FZ		
	991 521 151 01 OH7	Graphite Blue	-HZ		
	991 521 151 01 OK6	saddle brown	-SZ		
	991 521 151 01 9H6	Luxor beige	-UZ,BT		
	991 521 151 01 OG6	Bordeaux red	-LZ,BM		
	991 521 151 01 OL8	Chalk	-BG		
(6)	991 521 151 03	Backrest cushion cover Centre part sports seat	left a. right	1	PR:541,983, -998
	991 521 151 03 8YR	Black	-AZ		
	991 521 151 03 PL1	agate grey	-FZ		
	991 521 151 03 OH7	Graphite Blue	-HZ		
	991 521 151 03 OK6	saddle brown	-SZ		
	991 521 151 03 9H6	Luxor beige	-UZ,BT		
	991 521 151 03 OG6	Bordeaux red	-LZ,BM		
	991 521 151 03 OL8	Chalk	-BG		
(6)	991 521 151 05	Backrest cushion cover Centre part sports seat	left a. right	1	PR:983,998, -541
	991 521 151 05 8C0	Espresso	-NE		
	991 521 151 05 9EF	Cognac	-BY		
(6)	991 521 151 06	Backrest cushion cover Centre part sports seat	left a. right	1	PR:983,998, 541
	991 521 151 06 8C0	Espresso	-NE		
	991 521 151 06 9EF	Cognac	-BY		
7	991 521 899 00	Clip Cushioning backrest sports seat	left a. right	1	
8	991 521 721 05	Airbag with heating Seat cushion sports seat Position Deep Adjustable		1	PR:541

Model: 991T13 Model life 2014>>

Pos	Part Number	Description	Remark	Qty	Model
9	991 521 539 00	Foam part Seat cushion sports seat Position Deep Adjustable		1	PR:-541
(9)	970 521 549 00	Foam part Seat cushion Carrier Cushioning sports seat Position Deep Adjustable		1	
(9)	991 521 539 01	Foam part Seat cushion sports seat Position Deep Adjustable		1	PR:541
10	991 521 571 02	Foam part Seat cushion sports seat Adjustable	left	1	PR:-541
(10)	991 521 571 03	Foam part Seat cushion sports seat Adjustable	left	1	PR:541
(10)	991 521 572 10	Foam part Seat cushion sports seat Adjustable	right	1	PR:-541,-560
(10)	991 521 572 11	Foam part Seat cushion sports seat Adjustable	right	1	PR:541,-560
11	991 521 161 33	Seat cover sports seat	left	1	PR:983,-541,-998
	991 521 161 33 GDC	Black	-AZ		
	991 521 161 33 GHC	agate grey	-FZ		
	991 521 161 33 GTC	Graphite Blue	-HZ		
	991 521 161 33 DUE	saddle brown	-SZ		
	991 521 161 33 GFC	Luxor beige	-UZ,BT		
	991 521 161 33 GUC	Bordeaux red	-LZ,BM		
	991 521 161 33 GVC	Chalk	-BG		
(11)	991 521 161 36	Seat cover sports seat	left	1	PR:541,983,-998
	991 521 161 36 GDC	Black	-AZ		
	991 521 161 36 GHC	agate grey	-FZ		
	991 521 161 36 GTC	Graphite Blue	-HZ		
	991 521 161 36 DUE	saddle brown	-SZ		
	991 521 161 36 GFC	Luxor beige	-UZ,BT		
	991 521 161 36 GUC	Bordeaux red	-LZ,BM		
	991 521 161 36 GVC	Chalk	-BG		
(11)	991 521 161 34	Seat cover sports seat	left	1	PR:983,998,-541
	991 521 161 34 GKC	Espresso	-NE		
	991 521 161 34 GRC	Cognac	-BY		
(11)	991 521 161 37	Seat cover sports seat	left	1	PR:541,983,998
	991 521 161 37 GKC	Espresso	-NE		
	991 521 161 37 GRC	Cognac	-BY		
(11)	991 521 162 33	Seat cover	right	1	PR:983,-541,

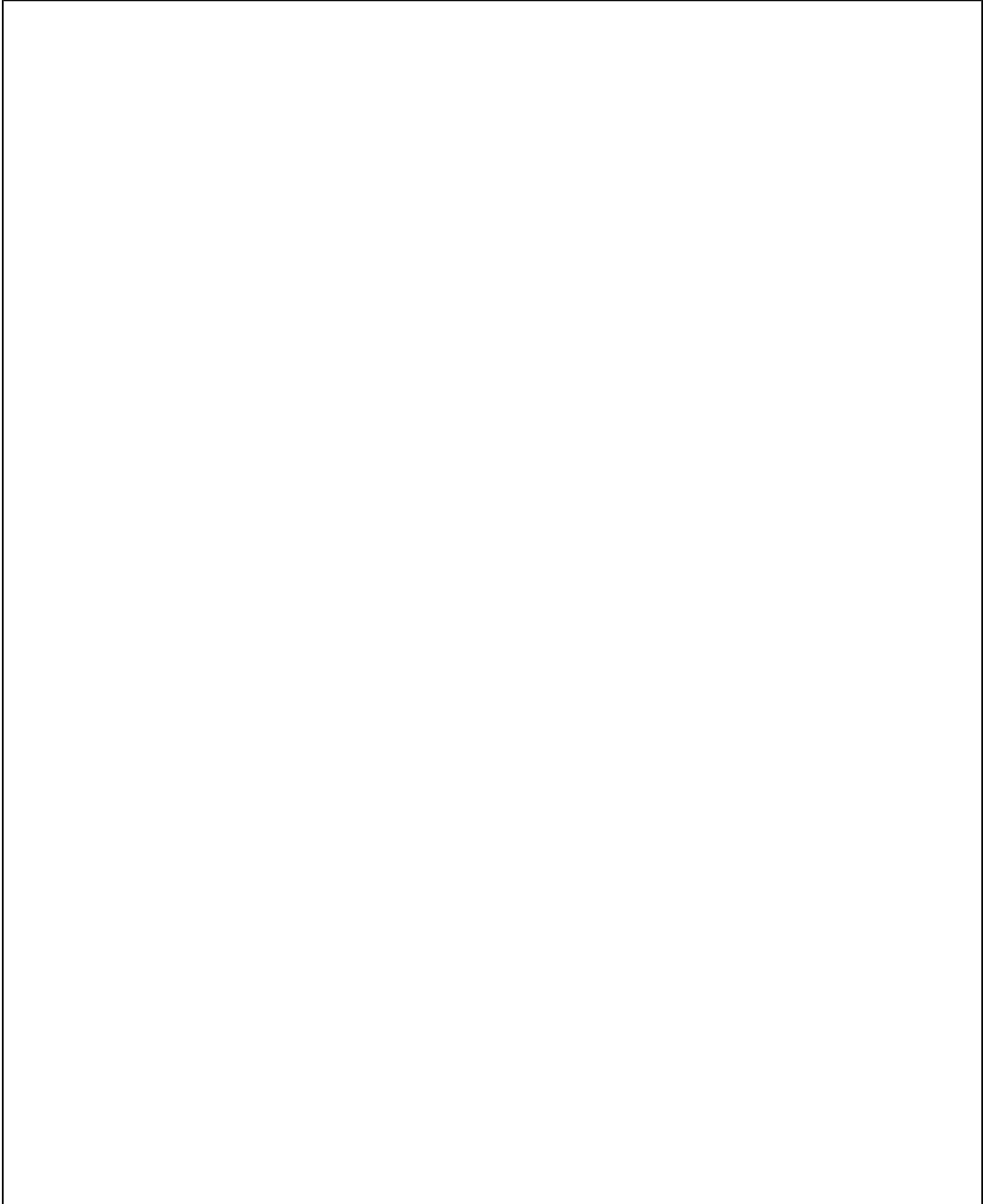
Model: 991T13

Model life 2014>>

Pos	Part Number	Description	Remark	Qty	Model
		sports seat			-998
	991 521 162 33 GDC	Black	-AZ		
	991 521 162 33 GHC	agate grey	-FZ		
	991 521 162 33 GTC	Graphite Blue	-HZ		
	991 521 162 33 DUE	saddle brown	-SZ		
	991 521 162 33 GFC	Luxor beige	-UZ,BT		
	991 521 162 33 GUC	Bordeaux red	-LZ,BM		
	991 521 162 33 GVC	Chalk	-BG		
(11)	991 521 162 36	Seat cover	right	1	PR:541,983, -998
		sports seat			
	991 521 162 36 GDC	Black	-AZ		
	991 521 162 36 GHC	agate grey	-FZ		
	991 521 162 36 GTC	Graphite Blue	-HZ		
	991 521 162 36 DUE	saddle brown	-SZ		
	991 521 162 36 GFC	Luxor beige	-UZ,BT		
	991 521 162 36 GUC	Bordeaux red	-LZ,BM		
	991 521 162 36 GVC	Chalk	-BG		
(11)	991 521 162 34	Seat cover	right	1	PR:983,998, -541
		sports seat			
	991 521 162 34 GKC	Espresso	-NE		
	991 521 162 34 GRC	Cognac	-BY		
(11)	991 521 162 37	Seat cover	right	1	PR:541,983, 998
		sports seat			
	991 521 162 37 GKC	Espresso	-NE		
	991 521 162 37 GRC	Cognac	-BY		
12	991 521 535 00	Foam part	left a. right	1	PR:-541
		backrest			
		Outer part			
(12)	991 521 535 01	Foam part	left a. right	1	PR:541
		backrest			
		Outer part			
13	970 521 749 00	Electric drive		1	
		Seat cushion			
		Position			
		Deep			
		Adjustment			
14	991 653 116 04	Heating element	left a. right	1	PR:342,-541
		Seat cushion			
		Position			
		Deep			
		Adjustable			
15	N 015 261 2	Clip		1	
		Mount			
		Seat cover			

Model: 991T13

Model life 2014>>



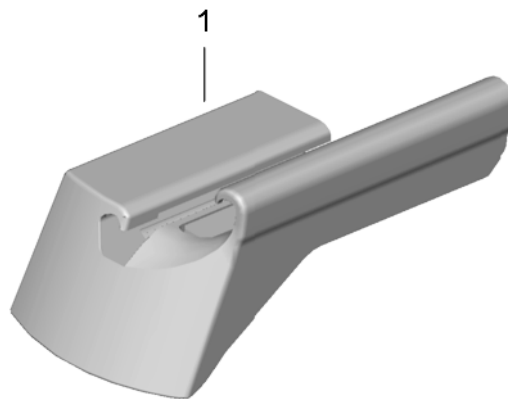
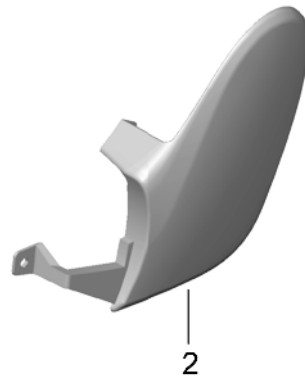
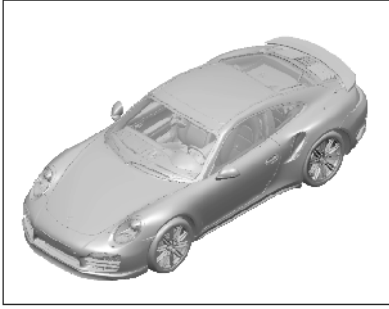
Model: 991T13

Model life 2014>>

Pos	Part Number	Description	Remark	Qty	Model
		Backrest shell sports seat Accessories			PR:321,322
1	991 521 303 01	Backrest shell Sport version	left	1	PR:983
	991 521 303 01 A80	Black	-AZ		
	991 521 303 01 C80	Platinum Grey	-CZ, BR		
	991 521 303 01 F80	yachting blue	-EZ		
	991 521 303 01 C85	agate grey	-DK		
	991 521 303 01 Q80	Luxor beige	-UZ, BL		
	991 521 303 01 E85	flint grey	-BV		
	991 521 303 01 N85	Carrera Red	-BQ, NG		
	991 521 303 01 H80	Espresso	-NE		
	991 521 303 01 S80	Cognac	-BH		
(1)	991 521 304 01	Backrest shell Sport version	right	1	PR:983
	991 521 304 01 A80	Black	-AZ		
	991 521 304 01 C80	Platinum Grey	-CZ, BR		
	991 521 304 01 F80	yachting blue	-EZ		
	991 521 304 01 C85	agate grey	-DK		
	991 521 304 01 Q80	Luxor beige	-UZ, BL		
	991 521 304 01 E85	flint grey	-BV		
	991 521 304 01 N85	Carrera Red	-BQ, NG		
	991 521 304 01 H80	Espresso	-NE		
	991 521 304 01 S80	Cognac	-BH		
2	997 624 337 00	Electric motor Fan backrest		1	PR:541
3	991 521 623 00	Actuator button lever for folding backrest Sport version	left	1	
(3)	991 521 623 00 V08	Galvano silver			
	991 521 624 00	Actuator button lever for folding backrest Sport version	right	1	
	991 521 624 00 V08	Galvano silver			
4	991 521 621 00	Rosette Actuator button Sport version lever for folding backrest	left	1	
(4)	991 521 621 00 D20	silver grey metallic			
	991 521 622 00	Rosette Actuator button Sport version lever for folding backrest	right	1	
	991 521 622 00 D20	silver grey metallic			
5	997 521 733 00	Air guide channel backrest		1	PR:541

Model: 991T13

Model life 2014>>



Model: 991T13

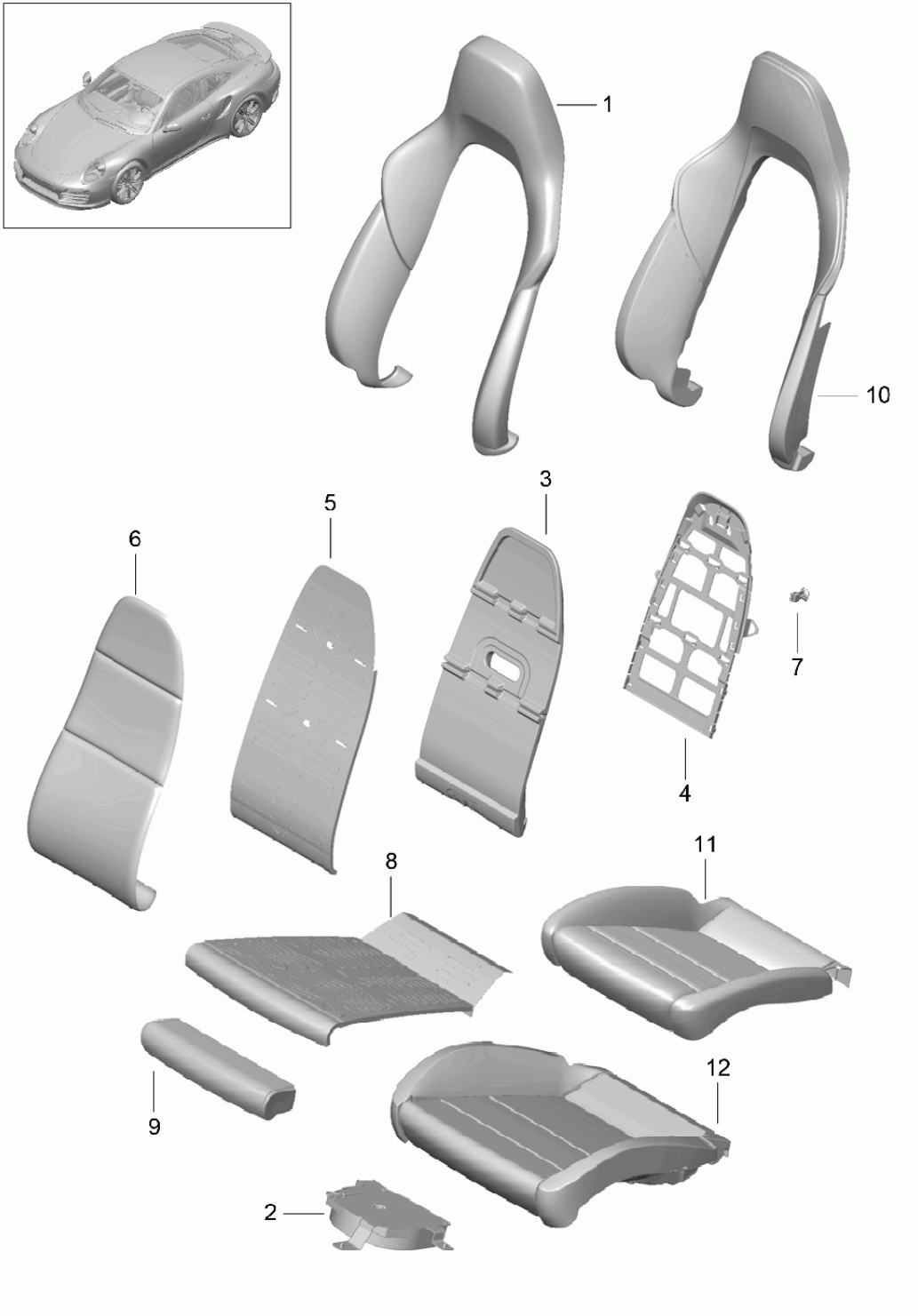
Model life 2014>>

Pos	Part Number	Description	Remark	Qty	Model
1	991 521 359 00	Sports seat Plus (complete) Not available Trim Rail Front seat Rail		1	PR:319
(1)	991 521 359 00 1E0	Front seat Black Sport version			
(1)	991 521 360 00	Rail Front seat		1	PR:320
(1)	991 521 360 00 1E0	Black Sport version			
(1)	991 521 361 00	Rail Front seat	left	1	PR:321,322, 323,324
(1)	991 521 361 00 1E0	Black Sport version			
(1)	991 521 362 00	Rail Front seat	right	1	PR:321,322, 323,324
(1)	991 521 362 00 1E0	Black Sport version			
2	991 521 315 00	Cover panel Mounting component Front seat	left	1	PR:315,319, 321
(2)	991 521 315 00 D20	silver grey metallic Sport version			
(2)	991 521 316 00	Cover panel Mounting component Front seat	right	1	PR:320,322, 324
(2)	991 521 316 00 D20	silver grey metallic Sport version			



Model: 991T13

Model life 2014>>



Model: 991T13

Model life 2014>>

Pos	Part Number	Description	Remark	Qty	Model
1	991 521 141 04	Foam part seat covers Backrest cover Outer part Sports seat Plus	left a. right	1	PR:319,320, 323,324 PR:319,320, 323,983,324
	991 521 141 04 GDC	Black	-AZ		
	991 521 141 04 GEC	Platinum Grey	-CZ,BR		
	991 521 141 04 GFC	Luxor beige	-UZ,BL		
	991 521 141 04 GGC	yachting blue	-EZ		
	991 521 141 04 GHC	agate grey	-DK		
	991 521 141 04 GJC	Umber			
	991 521 141 04 GMC	flint grey	-BV		
	991 521 141 04 GLC	Carrera Red	-BA,BQ		
(1)	991 521 141 05	Backrest cover Outer part Sports seat Plus	left a. right	1	PR:319,320, 323,983,324, 541
	991 521 141 05 GDC	Black	-AZ		
	991 521 141 05 GEC	Platinum Grey	-CZ,BR		
	991 521 141 05 GFC	Luxor beige	-UZ,BL		
	991 521 141 05 GGC	yachting blue	-EZ		
	991 521 141 05 GHC	agate grey	-DK		
	991 521 141 05 GJC	Umber			
	991 521 141 05 GMC	flint grey	-BV		
	991 521 141 05 GLC	Carrera Red	-BA,BQ		
(1)	991 521 141 08	Backrest cover Outer part Sports seat Plus	left a. right	1	PR:319,320, 323,983,324, 998
	991 521 141 08 GKC	Espresso	-NE		
	991 521 141 08 GLC	Carrera Red	-NG		
	991 521 141 08 GRC	Cognac	-BH		
(1)	991 521 141 09	Backrest cover Outer part Sports seat Plus	left a. right	1	PR:319,320, 323,998,324, 541,983
	991 521 141 09 GKC	Espresso	-NE		
	991 521 141 09 GLC	Carrera Red	-NG		
	991 521 141 09 GRC	Cognac	-BH		
(1)	991 521 981 06	Backrest cover Outer part Sports seat Plus	left a. right	1	PR:XSC,319, 323,983,320, 324
	991 521 981 06 GDC	Black	-AZ		
	991 521 981 06 GEC	Leather	-CZ,BR		
	991 521 981 06 GFC	Leather	-UZ,BL		
	991 521 981 06 GGC	Leather	-EZ		
	991 521 981 06 GHC	Leather	-DK,BV		
	991 521 981 06 GJC	Leather			
	991 521 981 06 GMC	Leather	-BV		
	991 521 981 06 GLC	Carrera Red	-BA,BQ		
(1)	991 521 981 07	Backrest cover Outer part Sports seat Plus	left a. right	1	PR:XSC,319, 323,541,983, 320,324
	991 521 981 07 GDC	Black	-AZ		
	991 521 981 07 GEC	Leather	-CZ,BR		
	991 521 981 07 GFC	Leather	-UZ,BL		
	991 521 981 07 GGC	Leather	-EZ		
	991 521 981 07 GHC	Leather	-DK,BV		
	991 521 981 07 GJC	Leather			
	991 521 981 07 GMC	Leather	-BV		
	991 521 981 07 GLC	Carrera Red	-BA,BQ		
(1)	991 521 981 08	Backrest cover Outer part Sports seat Plus	left a. right	1	PR:XSC,319, 983,998,320, 323,324
	991 521 981 08 GKC	Espresso	-NE		
	991 521 981 08 GLC	Leather	-NG		

Model: 991T13 Model life 2014>>

Pos	Part Number	Description	Remark	Qty	Model	
(1)	991 521 981 08 GRC	Cognac	-BH	1	PR:XSC,541, 983,998,319, 320,323,324	
	991 521 981 09	Backrest cover Outer part Sports seat Plus	left a. right			
	991 521 981 09 GKC	Espresso	-NE			
2	991 521 981 09 GLC	Leather	-NG	1	PR:541	
	991 521 981 09 GRC	Cognac	-BH			
3	997 624 335 00	Electric motor Seat cushion Sports seat Plus		1	PR:319,320, 321,322,324, 541	
	991 521 581 01	Foam part backrest Centre part Sport version				
(3)	991 521 581 00	Foam part backrest Centre part Sport version	left a. right	1	PR:319,320, 321,322,324	
4	991 521 551 00	Backrest-padding support part	left a. right	1	PR:319,320, 321,322,324	
5	991 521 731 01	Sport version Airbag backrest Sport version	left a. right	1	PR:319,320, 321,322,323, 324,541	
6	991 521 151 01	Backrest cushion cover Centre part Sport version	left a. right	1	PR:319,320, 321,322,323, 324,983	
	991 521 151 01 8YR	Black	-AZ			
	991 521 151 01 7A0	Platinum Grey	-CZ, BR			
	991 521 151 01 9H6	Luxor beige	-UZ, BL			
	991 521 151 01 6U7	yachting blue	-EZ			
	991 521 151 01 PL1	agate grey	-DK			
	991 521 151 01 PQ4	flint grey	-BV			
	991 521 151 01 DE1	Umber				
	991 521 151 01 N11	Carrera Red	-BA, BQ			
	(6)	991 521 151 03	Backrest cushion cover Centre part Sport version			left a. right
(6)	991 521 151 03 8YR	Black	-AZ	1	PR:319,320, 321,322,323, 324,983,541	
	991 521 151 03 7A0	Platinum Grey	-CZ, BR			
	991 521 151 03 9H6	Luxor beige	-UZ, BL			
	991 521 151 03 6U7	yachting blue	-EZ			
	991 521 151 03 PL1	agate grey	-DK			
	991 521 151 03 PQ4	flint grey	-BV			
	991 521 151 03 DE1	Umber				
	991 521 151 03 N11	Carrera Red	-BA, BQ			
	(6)	991 521 151 05	Backrest cushion cover Centre part Sport version			left a. right
	(6)	991 521 151 05 8C0	Espresso			-NE
991 521 151 05 N11		Carrera Red	-NG			
991 521 151 05 9EF		Cognac	-BH			
991 521 151 06		Backrest cushion cover Centre part Sport version	left a. right			
7	991 521 151 06 8C0	Espresso	-NE	1	PR:319,320, 321,322,324	
	991 521 151 06 N11	Carrera Red	-NG			
	991 521 151 06 9EF	Cognac	-BH			
	991 521 899 00	Clip Cushioning backrest Sport version	left a. right			

Model: 991T13 Model life 2014>>

Pos	Part Number	Description	Remark	Qty	Model
8	991 521 721 04	Airbag with heating Seat cushion sports seat		1	PR:319,320, 541
(8)	991 521 721 05	Airbag with heating Seat cushion sports seat Position Deep Adjustable		1	PR:321,322, 323,324,541
(8)	991 653 116 04	Heating element Seat cushion Deep Adjustable	left a. right	1	PR:342,-541
9	991 521 539 00	Foam part Seat cushion Sport version Position Deep Adjustable		1	PR:321,322, 323,324
(9)	991 521 539 01	Foam part Seat cushion Sports seat Plus Position Deep Adjustable		1	PR:321,322, 323,324,541
(9)	991 521 539 01	Foam part Seat cushion Sports seat Plus Position Deep Adjustable		1	PR:321,322, 323,324,541
10	991 521 535 02	Foam part backrest Outer part Sport version	left a. right	1	PR:319,320
(10)	991 521 535 03	Foam part backrest Outer part Sport version	left a. right	1	PR:319,320, 541
(10)	991 521 535 04	Foam part backrest Outer part Sports seat Plus	left a. right	1	PR:323,324
(10)	991 521 535 05	Foam part backrest Outer part Sports seat Plus	left a. right	1	PR:323,324, 541
11	991 521 161 36	Seat cover Sports seat Plus	left	1	PR:321,541, 983
	991 521 161 36 GDC	Black	-AZ		
	991 521 161 36 GEC	Platinum Grey	-CZ,BR		
	991 521 161 36 GFC	Luxor beige	-UZ,BL		
	991 521 161 36 GGC	yachting blue	-EZ		
	991 521 161 36 GHC	agate grey	-DK		
	991 521 161 36 GMC	flint grey	-BV		
	991 521 161 36 GLC	Carrera Red	-BA,BQ		
(11)	991 521 161 38	Seat cover Sports seat Plus	left	1	PR:319,983
	991 521 161 38 GDC	Black	-AZ		
	991 521 161 38 GEC	Platinum Grey	-CZ,BR		
	991 521 161 38 GFC	Luxor beige	-UZ,BL		

Model: 991T13 Model life 2014>>

Pos	Part Number	Description	Remark	Qty	Model
	991 521 161 38 GGC	yachting blue	-EZ		
	991 521 161 38 GHC	agate grey	-DK		
	991 521 161 38 GJC	Umber			
	991 521 161 38 GMC	flint grey	-BV		
	991 521 161 38 GLC	Carrera Red	-BA,BQ		
(11)	991 521 161 40	Seat cover	left	1	PR:319,983,541
		Sports seat Plus			
	991 521 161 40 GDC	Black	-AZ		
	991 521 161 40 GEC	Platinum Grey	-CZ,BR		
	991 521 161 40 GFC	Luxor beige	-UZ,BL		
	991 521 161 40 GGC	yachting blue	-EZ		
	991 521 161 40 GHC	agate grey	-DK		
	991 521 161 40 GJC	Umber			
	991 521 161 40 GMC	flint grey	-BV		
	991 521 161 40 GLC	Carrera Red	-BA,BQ		
(11)	991 521 161 42	Seat cover	left	1	PR:323,983
		Sports seat Plus			
	991 521 161 42 GDC	Black	-AZ		
	991 521 161 42 GEC	Platinum Grey	-CZ,BR		
	991 521 161 42 GFC	Luxor beige	-UZ,BL		
	991 521 161 42 GGC	yachting blue	-EZ		
	991 521 161 42 GHC	agate grey	-DK		
	991 521 161 42 GJC	Umber			
	991 521 161 42 GMC	flint grey	-BV		
	991 521 161 42 GLC	Carrera Red	-BA,BQ		
(11)	991 521 161 44	Seat cover	left	1	PR:323,983,541
		Sports seat Plus			
	991 521 161 44 GDC	Black	-AZ		
	991 521 161 44 GEC	Platinum Grey	-CZ,BR		
	991 521 161 44 GFC	Luxor beige	-UZ,BL		
	991 521 161 44 GGC	yachting blue	-EZ		
	991 521 161 44 GHC	agate grey	-DK		
	991 521 161 44 GJC	Umber			
	991 521 161 44 GMC	flint grey	-BV		
	991 521 161 44 GLC	Carrera Red	-BA,BQ		
(11)	991 521 161 39	Seat cover	left	1	PR:319,983,998
		Sports seat Plus			
	991 521 161 39 GKC	Espresso	-NE		
	991 521 161 39 GLC	Carrera Red	-NG		
	991 521 161 39 GRC	Cognac	-BH		
(11)	991 521 161 41	Seat cover	left	1	PR:319,541,983,998
		Sports seat Plus			
	991 521 161 41 GKC	Espresso	-NE		
	991 521 161 41 GLC	Carrera Red	-NG		
	991 521 161 41 GRC	Cognac	-BH		
(11)	991 521 161 43	Seat cover	left	1	PR:323,983,998
		Sports seat Plus			
	991 521 161 43 GKC	Espresso	-NE		
	991 521 161 43 GLC	Carrera Red	-NG		
	991 521 161 43 GRC	Cognac	-BH		
(11)	991 521 161 45	Seat cover	left	1	PR:323,541,983,998
		Sports seat Plus			
	991 521 161 45 GKC	Espresso	-NE		
	991 521 161 45 GLC	Carrera Red	-NG		
	991 521 161 45 GRC	Cognac	-BH		
(11)	9P1 881 405	Seat cover	left	1	PR:320,948,-541
		Sports seat Plus			
	9P1 881 405 JHD	Black/Dark Silver	-TD		
	9P1 881 405 GTB	Graphite Blue/Chalk	-TG		
(11)	9P1 881 405 A	Seat cover	left	1	PR:323,948,-541
		Sports seat Plus			
	9P1 881 405 A JHD	Black/Dark Silver	-TD		
	9P1 881 405 A GTB	Graphite Blue/Chalk	-TG		

Model: 991T13 Model life 2014>>

Pos	Part Number	Description	Remark	Qty	Model
(11)	991 521 015 55	Seat cover Sports seat Plus	left	1	PR:323,XWP
(11)	991 521 015 55 DSJ	Black	-AQ,AZ		
	991 521 162 36	Seat cover Sports seat Plus	right	1	PR:322,541, 983
	991 521 162 36 GDC	Black	-AZ		
	991 521 162 36 GEC	Platinum Grey	-CZ,BR		
	991 521 162 36 GFC	Luxor beige	-UZ,BL		
	991 521 162 36 GGC	yachting blue	-EZ		
	991 521 162 36 GHC	agate grey	-DK		
	991 521 162 36 GJC	Umber			
	991 521 162 36 GMC	flint grey	-BV		
	991 521 162 36 GLC	Carrera Red	-BA,BQ		
(11)	991 521 162 38	Seat cover Sports seat Plus	right	1	PR:320,983
	991 521 162 38 GDC	Black	-AZ		
	991 521 162 38 GEC	Platinum Grey	-CZ,BR		
	991 521 162 38 GFC	Luxor beige	-UZ,BL		
	991 521 162 38 GGC	yachting blue	-EZ		
	991 521 162 38 GHC	agate grey	-DK		
	991 521 162 38 GJC	Umber			
	991 521 162 38 GMC	flint grey	-BV		
	991 521 162 38 GLC	Carrera Red	-BA,BQ		
(11)	991 521 162 40	Seat cover Sports seat Plus	right	1	PR:320,541, 983
	991 521 162 40 GDC	Black	-AZ		
	991 521 162 40 GEC	Platinum Grey	-CZ,BR		
	991 521 162 40 GFC	Luxor beige	-UZ,BL		
	991 521 162 40 GGC	yachting blue	-EZ		
	991 521 162 40 GHC	agate grey	-DK		
	991 521 162 40 GJC	Umber			
	991 521 162 40 GMC	flint grey	-BV		
	991 521 162 40 GLC	Carrera Red	-BA,BQ		
(11)	991 521 162 42	Seat cover Sports seat Plus	right	1	PR:324,983
	991 521 162 42 GDC	Black	-AZ		
	991 521 162 42 GEC	Platinum Grey	-CZ,BR		
	991 521 162 42 GFC	Luxor beige	-UZ,BL		
	991 521 162 42 GGC	yachting blue	-EZ		
	991 521 162 42 GHC	agate grey	-DK		
	991 521 162 42 GJC	Umber			
	991 521 162 42 GMC	flint grey	-BV		
	991 521 162 42 GLC	Carrera Red	-BA,BQ		
(11)	991 521 162 44	Seat cover Sports seat Plus	right	1	PR:324,541, 983
	991 521 162 44 GDC	Black	-AZ		
	991 521 162 44 GEC	Platinum Grey	-CZ,BR		
	991 521 162 44 GFC	Luxor beige	-UZ,BL		
	991 521 162 44 GGC	yachting blue	-EZ		
	991 521 162 44 GHC	agate grey	-DK		
	991 521 162 44 GJC	Umber			
	991 521 162 44 GMC	flint grey	-BV		
	991 521 162 44 GLC	Carrera Red	-BA,BQ		
(11)	991 521 162 39	Seat cover Sports seat Plus	right	1	PR:320,983, 998
	991 521 162 39 GKC	Espresso	-NE		
	991 521 162 39 GLC	Carrera Red	-NG		
	991 521 162 39 GRC	Cognac	-BH		
(11)	991 521 162 41	Seat cover Sports seat Plus	right	1	PR:320,541, 983,998
	991 521 162 41 GKC	Espresso	-NE		
	991 521 162 41 GLC	Carrera Red	-NG		
	991 521 162 41 GRC	Cognac	-BH		

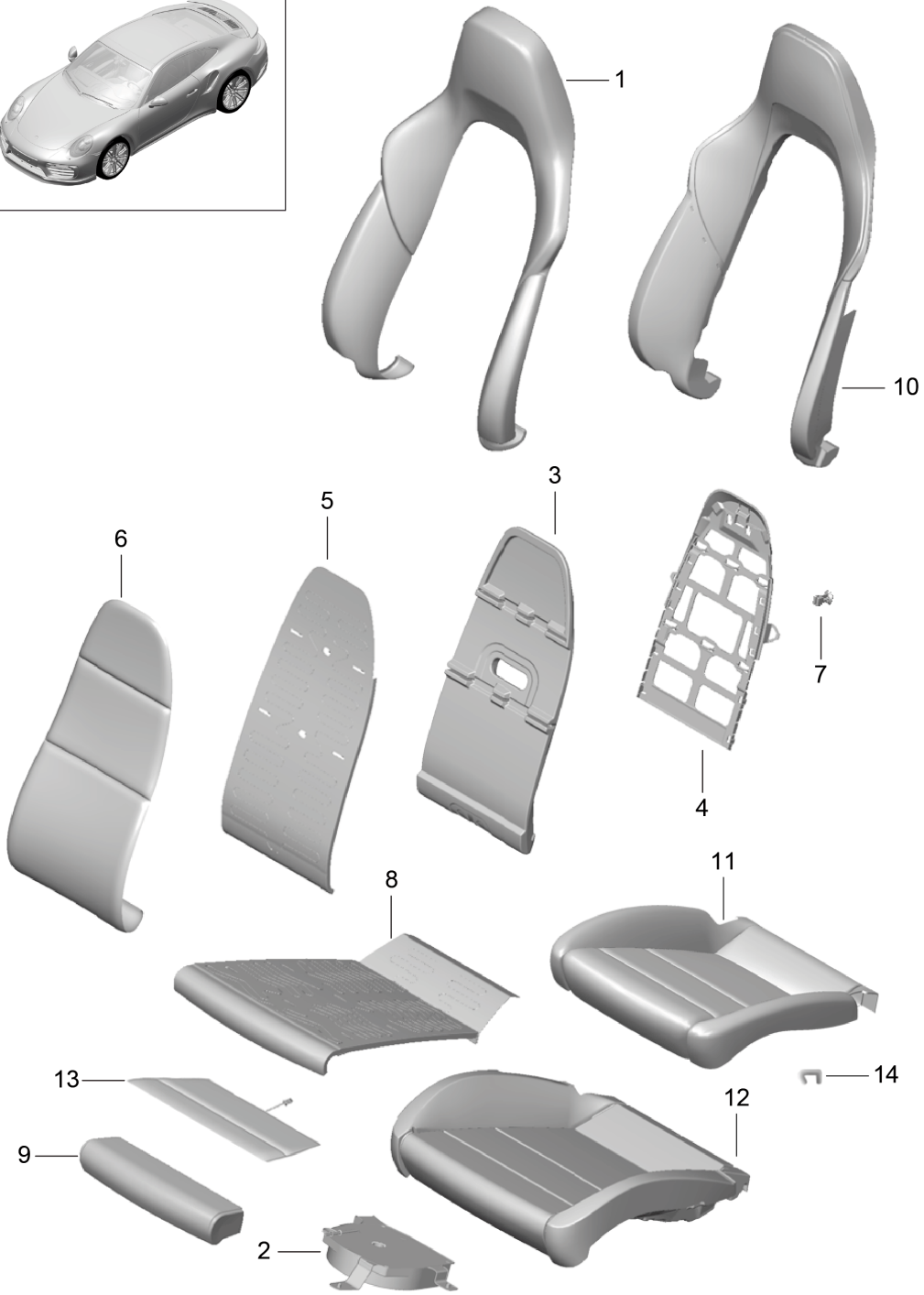
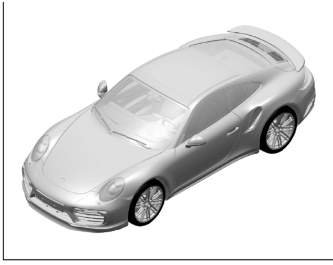
Model: 991T13

Model life 2014>>

Pos	Part Number	Description	Remark	Qty	Model
(11)	991 521 162 43	Seat cover Sports seat Plus	right	1	PR:324,983, 998
	991 521 162 43 GKC	Espresso	-NE		
	991 521 162 43 GLC	Carrera Red	-NG		
	991 521 162 43 GRC	Cognac	-BH		
(11)	991 521 162 45	Seat cover Sports seat Plus	right	1	PR:324,541, 983,998
	991 521 162 45 GKC	Espresso	-NE		
	991 521 162 45 GLC	Carrera Red	-NG		
	991 521 162 45 GRC	Cognac	-BH		
(11)	9P1 881 406	Seat cover Sports seat Plus	right	1	PR:320,948, -541
	9P1 881 406 JHD	Black/Dark Silver	-TD		
	9P1 881 406 GTB	Graphite Blue/Chalk	-TG		
(11)	9P1 881 406 A	Seat cover Sports seat Plus	right	1	PR:323,948, -541
	9P1 881 406 A JHD	Black/Dark Silver	-TD		
	9P1 881 406 A GTB	Graphite Blue/Chalk	-TG		
(11)	991 521 016 55	Seat cover Sports seat Plus	right	1	
	991 521 016 55 DSJ	Black	-AQ,AZ		
12	991 521 571 04	Foam part Seat cushion Sports seat Plus	left	1	PR:319
(12)	991 521 571 05	Foam part Seat cushion Sports seat Plus	left	1	PR:319,541
(12)	991 521 572 12	Foam part Seat cushion Sports seat Plus	right	1	PR:320
(12)	991 521 572 13	Foam part Seat cushion Sports seat Plus	right	1	PR:320,541
(12)	991 521 571 06	Foam part Seat cushion Sports seat Plus Adjustable	left	1	PR:323
(12)	991 521 571 07	Foam part Seat cushion Sports seat Plus Adjustable	left	1	PR:323,541
(12)	991 521 572 15	Foam part Seat cushion Sports seat Plus Adjustable	right	1	PR:324,541

Model: 991T13

Model life 2014>>





Model: 991T13 Model life 2014>>

Pos	Part Number	Description	Remark	Qty	Model
		Foam part Cover Sports seat Plus D - MJ 2017>>			PR:319,320, 323,324
1	991 521 141 04	Backrest cover Outer part Sports seat Plus	left a. right	1	PR:983,-541, -998
	991 521 141 04 GDC	Black	-AZ		
	991 521 141 04 GHC	agate grey	-FZ		
	991 521 141 04 GTC	Graphite Blue	-HZ		
	991 521 141 04 DUE	saddle brown	-SZ		
	991 521 141 04 GFC	Luxor beige	-UZ,BT		
	991 521 141 04 GUC	Bordeaux red	-LZ,BM		
	991 521 141 04 GVC	Chalk	-BG		
(1)	991 521 141 05	Backrest cover Outer part Sports seat Plus	left a. right	1	PR:541,983, -998
	991 521 141 05 GDC	Black	-AZ		
	991 521 141 05 GHC	agate grey	-FZ		
	991 521 141 05 GTC	Graphite Blue	-HZ		
	991 521 141 05 DUE	saddle brown	-SZ		
	991 521 141 05 GFC	Luxor beige	-UZ,BT		
	991 521 141 05 GUC	Bordeaux red	-LZ,BM		
	991 521 141 05 GVC	Chalk	-BG		
(1)	991 521 141 08	Backrest cover Outer part Sports seat Plus	left a. right	1	PR:983,998, -541
	991 521 141 08 GKC	Espresso	-NE		
	991 521 141 08 GRC	Cognac	-BY		
(1)	991 521 141 09	Backrest cover Outer part Sports seat Plus	left a. right	1	PR:998,541, 983
	991 521 141 09 GKC	Espresso	-NE		
	991 521 141 09 GRC	Cognac	-BY		
(1)	991 521 981 06	Backrest cover Outer part Sports seat Plus Porsche crest	left a. right	1	PR:XSC,983, -541,-998
	991 521 981 06 GDC	Black	-AZ		
	991 521 981 06 GHC	Leather	-FZ		
	991 521 981 06 GTC	Graphite Blue	-HZ		
	991 521 981 06 DUE	saddle brown	-SZ		
	991 521 981 06 GFC	Leather	-UZ,BT		
	991 521 981 06 GUC	Bordeaux red	-LZ,BM		
	991 521 981 06 GVC	Chalk	-BG		
(1)	991 521 981 06	Backrest cover Outer part Sports seat Plus Porsche crest	left a. right	1	PR:XSC,-541, -998,XWP
	991 521 981 06 GDC	Black	-AZ		
(1)	991 521 981 07	Backrest cover Outer part Sports seat Plus Porsche crest	left a. right	1	PR:XSC,541, 983,-998
	991 521 981 07 GDC	Black	-AZ		
	991 521 981 07 GHC	Leather	-FZ		
	991 521 981 07 GTC	Graphite Blue	-HZ		
	991 521 981 07 DUE	saddle brown	-SZ		
	991 521 981 07 GFC	Leather	-UZ,BT		
	991 521 981 07 GUC	Bordeaux red	-LZ,BM		
	991 521 981 07 GVC	Chalk	-BG		
(1)	991 521 981 08	Backrest cover Outer part	left a. right	1	PR:XSC,983, 998,-541

Model: 991T13

Model life 2014>>

Pos	Part Number	Description	Remark	Qty	Model
		Sports seat Plus Porsche crest			
	991 521 981 08 GKC	Espresso	-NE		
	991 521 981 08 GRC	Cognac	-BY		
(1)	991 521 981 09	Backrest cover Outer part Sports seat Plus Porsche crest	left a. right	1	PR:XSC,541, 983,998
	991 521 981 09 GKC	Espresso	-NE		
	991 521 981 09 GRC	Cognac	-BY		
2	997 624 335 00	Electric motor Seat cushion		1	PR:541
3	991 521 581 01	Sports seat Plus Foam part backrest Centre part		1	PR:541
(3)	991 521 581 00	Sports seat Plus Foam part backrest Centre part	left a. right	1	PR:-541
4	991 521 551 00	Sports seat Plus Backrest-padding support part	left a. right	1	
5	991 521 731 01	Sports seat Plus Airbag backrest	left a. right	1	PR:541
6	991 521 151 01	Sport version Backrest cushion cover Centre part Sports seat Plus	left a. right	1	PR:983,-541, -998
	991 521 151 01 8YR	Black	-AZ		
	991 521 151 01 PL1	agate grey	-FZ		
	991 521 151 01 OH7	Graphite Blue	-HZ		
	991 521 151 01 OK6	saddle brown	-SZ		
	991 521 151 01 9H6	Luxor beige	-UZ,BT		
	991 521 151 01 OG6	Bordeaux red	-LZ,BM		
	991 521 151 01 OL8	Chalk	-BG		
(6)	991 521 151 03	Backrest cushion cover Centre part Sports seat Plus	left a. right	1	PR:983,541, -998
	991 521 151 03 8YR	Black	-AZ		
	991 521 151 03 PL1	agate grey	-FZ		
	991 521 151 03 OH7	Graphite Blue	-HZ		
	991 521 151 03 OK6	saddle brown	-SZ		
	991 521 151 03 9H6	Luxor beige	-UZ,BT		
	991 521 151 03 OG6	Bordeaux red	-LZ,BM		
	991 521 151 03 OL8	Chalk	-BG		
(6)	991 521 151 05	Backrest cushion cover Centre part Sports seat Plus	left a. right	1	PR:983,998, -541
	991 521 151 05 8C0	Espresso	-NE		
	991 521 151 05 9EF	Cognac	-BY		
(6)	991 521 151 06	Backrest cushion cover Centre part Sports seat Plus	left a. right	1	PR:541,983, 998
	991 521 151 06 8C0	Espresso	-NE		
	991 521 151 06 9EF	Cognac	-BY		
7	991 521 899 00	Clip Cushioning backrest Sports seat Plus	left a. right	1	
8	991 521 721 04	Airbag with heating Seat cushion		1	PR:319,320, 541

Model: 991T13

Model life 2014>>

Pos	Part Number	Description	Remark	Qty	Model
(8)	991 521 721 05	Sports seat Plus Airbag with heating Seat cushion Sports seat Plus Position Deep Adjustable		1	PR:323,324, 541
9	991 521 539 00	Foam part Seat cushion Sports seat Plus Position Deep Adjustable		1	PR:323,324
(9)	991 521 539 01	Foam part Seat cushion Sports seat Plus Position Deep Adjustable		1	PR:323,324, 541
10	991 521 535 02	Foam part backrest Outer part Sports seat Plus	left a. right	1	PR:319,320, -541
(10)	991 521 535 03	Foam part backrest Outer part Sports seat Plus	left a. right	1	PR:319,320, 541
(10)	991 521 535 04	Foam part backrest Outer part Sports seat Plus	left a. right	1	PR:323,324, 983,-541
(10)	991 521 535 05	Foam part backrest Outer part Sports seat Plus	left a. right	1	PR:323,324, 541
(11)	991 521 161 38	Seat cover Sports seat Plus	left	1	PR:319,983, -541,-998
	991 521 161 38 GDC	Black	-AZ		
	991 521 161 38 GHC	agate grey	-FZ		
	991 521 161 38 GTC	Graphite Blue	-HZ		
	991 521 161 38 DUE	saddle brown	-SZ		
	991 521 161 38 GFC	Luxor beige	-UZ,BT		
	991 521 161 38 GUC	Bordeaux red	-LZ,BM		
	991 521 161 38 GVC	Chalk	-BG		
(11)	991 521 161 40	Seat cover Sports seat Plus	left	1	PR:319,983, 541,-998
	991 521 161 40 GDC	Black	-AZ		
	991 521 161 40 GHC	agate grey	-FZ		
	991 521 161 40 GTC	Graphite Blue	-HZ		
	991 521 161 40 DUE	saddle brown	-SZ		
	991 521 161 40 GFC	Luxor beige	-UZ,BT		
	991 521 161 40 GUC	Bordeaux red	-LZ,BM		
	991 521 161 40 GVC	Chalk	-BG		
(11)	991 521 161 42	Seat cover Sports seat Plus	left	1	PR:323,983, -541,-998
	991 521 161 42 GDC	Black	-AZ		
	991 521 161 42 GHC	agate grey	-FZ		
	991 521 161 42 GTC	Graphite Blue	-HZ		
	991 521 161 42 DUE	saddle brown	-SZ		
	991 521 161 42 GFC	Luxor beige	-UZ,BT		
	991 521 161 42 GUC	Bordeaux red	-LZ,BM		
	991 521 161 42 GVC	Chalk	-BG		

Model: 991T13 Model life 2014>>

Pos	Part Number	Description	Remark	Qty	Model
(11)	991 521 161 44	Seat cover Sports seat Plus	left	1	PR:323,983, 541,-998
	991 521 161 44 GDC	Black	-AZ		
	991 521 161 44 GHC	agate grey	-FZ		
	991 521 161 44 GTC	Graphite Blue	-HZ		
	991 521 161 44 DUE	saddle brown	-SZ		
	991 521 161 44 GFC	Luxor beige	-UZ,BT		
	991 521 161 44 GUC	Bordeaux red	-LZ,BM		
	991 521 161 44 GVC	Chalk	-BG		
(11)	991 521 161 39	Seat cover Sports seat Plus	left	1	PR:319,983, 998,-541
	991 521 161 39 GKC	Espresso	-NE		
	991 521 161 39 GRC	Cognac	-BY		
(11)	991 521 161 41	Seat cover Sports seat Plus	left	1	PR:319,541, 983,998
	991 521 161 41 GKC	Espresso	-NE		
	991 521 161 41 GRC	Cognac	-BY		
(11)	991 521 161 43	Seat cover Sports seat Plus	left	1	PR:323,983, 998,-541
	991 521 161 43 GKC	Espresso	-NE		
	991 521 161 43 GRC	Cognac	-BY		
(11)	991 521 161 45	Seat cover Sports seat Plus	left	1	PR:323,541, 983,998
	991 521 161 45 GKC	Espresso	-NE		
	991 521 161 45 GRC	Cognac	-BY		
(11)	991 521 162 38	Seat cover Sports seat Plus	right	1	PR:320,983, -541,-998
	991 521 162 38 GDC	Black	-AZ		
	991 521 162 38 GHC	agate grey	-FZ		
	991 521 162 38 GTC	Graphite Blue	-HZ		
	991 521 162 38 DUE	saddle brown	-SZ		
	991 521 162 38 GFC	Luxor beige	-UZ,BT		
	991 521 162 38 GUC	Bordeaux red	-LZ,BM		
	991 521 162 38 GVC	Chalk	-BG		
(11)	991 521 162 40	Seat cover Sports seat Plus	right	1	PR:320,541, 983,-998
	991 521 162 40 GDC	Black	-AZ		
	991 521 162 40 GHC	agate grey	-FZ		
	991 521 162 40 GTC	Graphite Blue	-HZ		
	991 521 162 40 DUE	saddle brown	-SZ		
	991 521 162 40 GFC	Luxor beige	-UZ,BT		
	991 521 162 40 GUC	Bordeaux red	-LZ,BM		
	991 521 162 40 GVC	Chalk	-BG		
(11)	991 521 162 42	Seat cover Sports seat Plus	right	1	PR:324,983, -541,-998
	991 521 162 42 GDC	Black	-AZ		
	991 521 162 42 GHC	agate grey	-FZ		
	991 521 162 42 GTC	Graphite Blue	-HZ		
	991 521 162 42 DUE	saddle brown	-SZ		
	991 521 162 42 GFC	Luxor beige	-UZ,BT		
	991 521 162 42 GUC	Bordeaux red	-LZ,BM		
	991 521 162 42 GVC	Chalk	-BG		
(11)	991 521 162 44	Seat cover Sports seat Plus	right	1	PR:324,541, 983,-998
	991 521 162 44 GDC	Black	-AZ		
	991 521 162 44 GHC	agate grey	-FZ		
	991 521 162 44 GTC	Graphite Blue	-HZ		
	991 521 162 44 DUE	saddle brown	-SZ		
	991 521 162 44 GFC	Luxor beige	-UZ,BT		
	991 521 162 44 GUC	Bordeaux red	-LZ,BM		
	991 521 162 44 GVC	Chalk	-BG		
(11)	991 521 162 39	Seat cover Sports seat Plus	right	1	PR:320,983, 998,-541

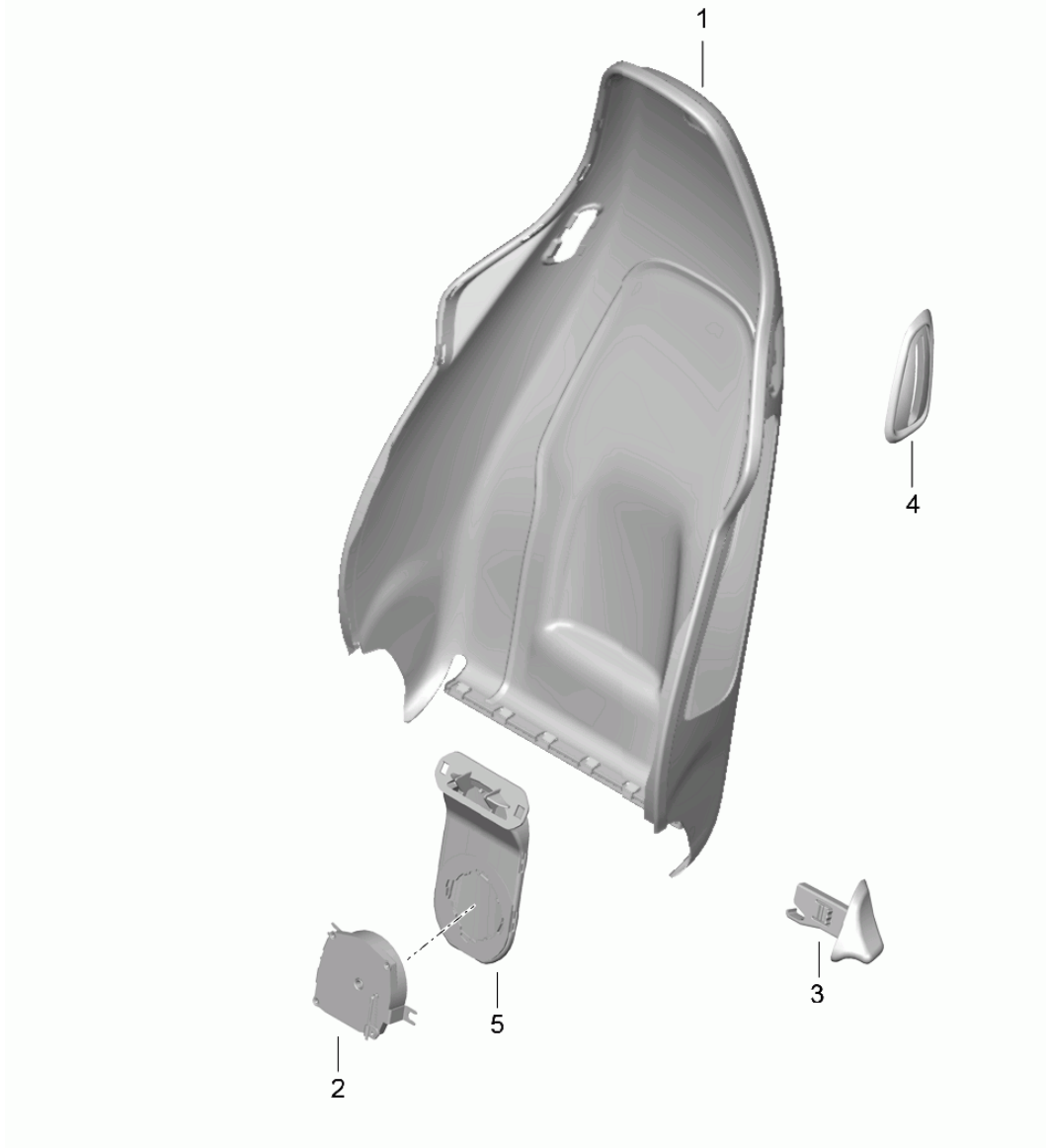
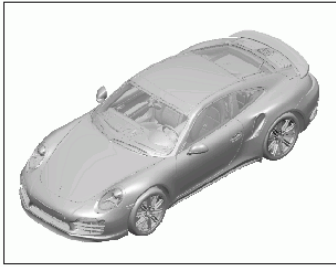
Model: 991T13

Model life 2014>>

Pos	Part Number	Description	Remark	Qty	Model
(11)	991 521 162 39 GKC	Espresso	-NE	1	PR:320,541, 983,998
	991 521 162 39 GRC	Cognac	-BY		
(11)	991 521 162 41	Seat cover Sports seat Plus	right	1	PR:324,983, 998,-541
	991 521 162 41 GKC	Espresso	-NE		
(11)	991 521 162 41 GRC	Cognac	-BY	1	PR:324,983, 998,-541
	991 521 162 43	Seat cover Sports seat Plus	right		
(11)	991 521 162 43 GKC	Espresso	-NE	1	PR:324,541, 983,998
	991 521 162 43 GRC	Cognac	-BY		
12	991 521 162 45	Seat cover Sports seat Plus	right	1	PR:324,541, 983,998
	991 521 162 45 GKC	Espresso	-NE		
12	991 521 162 45 GRC	Cognac	-BY	1	PR:319,983, -541
	991 521 571 04	Foam part Seat cushion Sports seat Plus	left		
(12)	991 521 571 05	Foam part Seat cushion Sports seat Plus	left	1	PR:319,541
	991 521 572 12	Foam part Seat cushion Sports seat Plus	right		
(12)	991 521 572 13	Foam part Seat cushion Sports seat Plus	right	1	PR:320,983, -541,-560
	991 521 571 06	Foam part Seat cushion Sports seat Plus Adjustable	right		
(12)	991 521 571 07	Foam part Seat cushion Sports seat Plus Adjustable	left	1	PR:320,541, -560
	991 521 572 15	Foam part Seat cushion Sports seat Plus Adjustable	left		
13	991 521 572 15	Foam part Seat cushion Sports seat Plus Adjustable	right	1	PR:324,541, -560
	991 653 116 04	Heating element Seat cushion Position Deep Adjustable	left a. right		
14	N 015 261 2	Clip Mount Seat cover		1	PR:323,983, -541
					PR:323,324, 342,-541

Model: 991T13

Model life 2014>>



Model: 991T13 Model life 2014>>

Pos	Part Number	Description	Remark	Qty	Model
1	991 521 303 03	Backrest shell Sports seat Plus Accessories D >> - MJ 2016	left	1	PR:319,323
(1)	991 521 303 03 D20	silver grey metallic			
(1)	991 521 304 03	Backrest shell Sport version	right	1	PR:320,324
(1)	991 521 304 03 D20	silver grey metallic			
(1)	991 521 985 01	Backrest shell Sports seat Plus	left	1	PR:XWK,323, 983,319,092
	991 521 985 01 A11	Black	-AZ		
	991 521 985 01 9B0	Platinum Grey	-CZ,BR		
	991 521 985 01 7J0	Luxor beige	-UZ,BL		
	991 521 985 01 6A0	yachting blue	-EZ		
	991 521 985 01 OA1	agate grey	-DK		
	991 521 985 01 OD4	flint grey	-BV		
	991 521 985 01 N12	Carrera Red	-BA		
	991 521 985 01 DQU	Black/Carrera Red	-BQ		
(1)	991 521 986 01	Backrest shell Sports seat Plus	left	1	PR:XWK,324, 983,320,092
	991 521 986 01 A11	Black	-AZ		
	991 521 986 01 9B0	Platinum Grey	-CZ,BR		
	991 521 986 01 7J0	Luxor beige	-UZ,BL		
	991 521 986 01 6A0	yachting blue	-EZ		
	991 521 986 01 OA1	agate grey	-DK		
	991 521 986 01 OD4	flint grey	-BV		
	991 521 986 01 N12	Carrera Red	-BA		
	991 521 986 01 DQU	Black/Carrera Red	-BQ		
(1)	991 521 985 02	Backrest shell Sports seat Plus Leather	left	1	PR:XWK,323, 983,998,319, 092
	991 521 985 02 6J0	Espresso	-NE		
	991 521 985 02 N12	Carrera Red	-NG		
	991 521 985 02 7F0	Cognac	-BH		
(1)	991 521 986 02	Backrest shell Sports seat Plus Leather	right	1	PR:XWK,324, 983,998,320, 092
	991 521 986 02 6J0	Espresso	-NE		
	991 521 986 02 N12	Espresso/Carrera red	-NG		
	991 521 986 02 7F0	Cognac	-BH		
2	997 624 337 00	Electric motor Fan		1	PR:541
3	991 521 623 00	backrest Actuator button lever for folding backrest Sport version	left	1	PR:319,320, 321,322,324
(3)	991 521 623 00 V08	Galvano silver			
(3)	991 521 624 00	Actuator button lever for folding backrest Sport version	right	1	PR:319,320, 321,322,324
	991 521 624 00 V08	Galvano silver			
4	991 521 621 01	Rosette Actuator button Sport version lever for folding backrest	left	1	PR:319,320, 323,324
(4)	991 521 621 01 D20	silver grey metallic			
(4)	991 521 622 01	Rosette Actuator button Sport version lever for folding backrest	right	1	PR:319,320, 323,324
	991 521 622 01 D20	silver grey metallic			

Model: 991T13

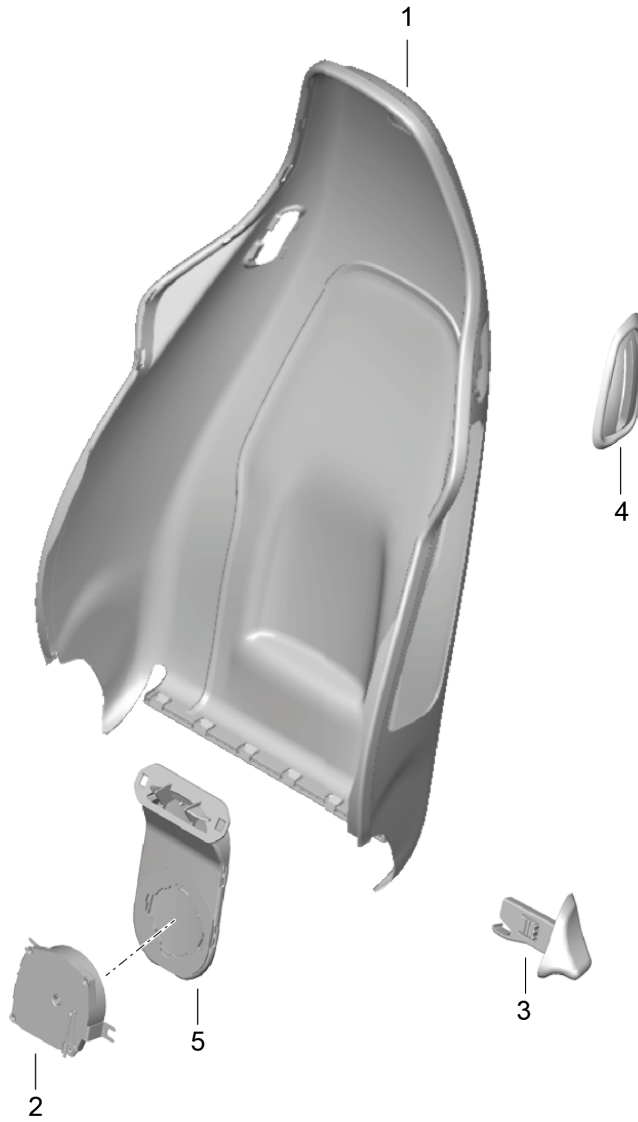
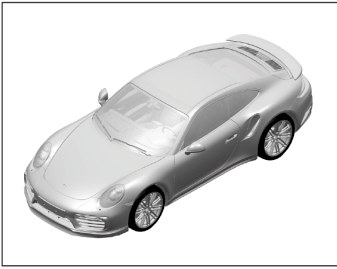
Model life 2014>>

Pos	Part Number	Description	Remark	Qty	Model
(4)	991 521 987 01	Rosette Actuator button lever for folding backrest	left	1	PR:XWK,319, 320,323,324, XWL,092
	991 521 987 01 5Q0	Black	-AZ,BQ		
	991 521 987 01 4U0	Platinum Grey	-CZ,BR		
	991 521 987 01 6W0	Luxor beige	-UZ,BL		
	991 521 987 01 8Y0	yachting blue	-EZ		
	991 521 987 01 OA6	agate grey	-DK		
	991 521 987 01 DE1	Umber			
	991 521 987 01 OD9	flint grey	-BV		
	991 521 987 01 3T0	Espresso	-NE		
	991 521 987 01 OE1	Carrera Red	-NG,BA		
	991 521 987 01 2S0	Cognac	-BH		
(4)	991 521 988 01	Rosette Actuator button lever for folding backrest	right	1	PR:XWK,319, 320,323,324, XWL,092
	991 521 988 01 5Q0	Black	-AZ,BQ		
	991 521 988 01 4U0	Platinum Grey	-CZ,BR		
	991 521 988 01 6W0	Luxor beige	-UZ,BL		
	991 521 988 01 8Y0	yachting blue	-EZ		
	991 521 988 01 OA6	agate grey	-DK		
	991 521 988 01 DE1	Umber			
	991 521 988 01 OD9	flint grey	-BV		
	991 521 988 01 3T0	Espresso	-NE		
	991 521 988 01 OE1	Carrera Red	-NG,BA		
	991 521 988 01 2S0	Cognac	-BH		
5	997 521 733 00	Air guide channel backrest		1	PR:541,319, 320,321,322, 324



Model: 991T13

Model life 2014>>



Model: 991T13 Model life 2014>>

Pos	Part Number	Description	Remark	Qty	Model
1	991 521 303 03	Backrest shell Sports seat Plus Accessories D - MJ 2017>>	left	1	PR:319,323, -XWK,-092
(1)	991 521 303 03 D20	silver grey metallic			
(1)	991 521 304 03	Backrest shell Sports seat Plus	right	1	PR:320,324, -XWK,-092
(1)	991 521 304 03 D20	silver grey metallic			
(1)	991 521 985 01	Backrest shell Sports seat Plus	left	1	PR:319,323, 983,-998
	991 521 985 01 A11	Black	-AZ		
	991 521 985 01 OA1	agate grey	-FZ		
	991 521 985 01 OH7	Graphite Blue	-HZ		
	991 521 985 01 OK6	saddle brown	-SZ		
	991 521 985 01 7J0	Luxor beige	-UZ,BT		
	991 521 985 01 OG6	Bordeaux red	-LZ,BM		
	991 521 985 01 OL8	Chalk	-BG		
(1)	991 521 986 01	Backrest shell Sports seat Plus	left	1	PR:320,324, 983,-998
	991 521 986 01 A11	Black	-AZ		
	991 521 986 01 OA1	agate grey	-FZ		
	991 521 986 01 OH7	Graphite Blue	-HZ		
	991 521 986 01 OK6	saddle brown	-SZ		
	991 521 986 01 7J0	Luxor beige	-UZ,BT		
	991 521 986 01 OG6	Bordeaux red	-LZ,BM		
	991 521 986 01 OL8	Chalk	-BG		
(1)	991 521 985 02	Backrest shell Sports seat Plus Leather	left	1	PR:XWK,319, 323,983,998
	991 521 985 02 6J0	Espresso	-NE		
	991 521 985 02 7F0	Cognac	-BY		
(1)	991 521 986 02	Backrest shell Sports seat Plus Leather	right	1	PR:XWK,320, 324,983,998
	991 521 986 02 6J0	Espresso	-NE		
	991 521 986 02 7F0	Cognac	-BY		
2	997 624 337 00	Electric motor Fan		1	PR:541
3	991 521 623 00	backrest Actuator button lever for folding backrest Sports seat Plus	left	1	PR:319,320, 323,324
(3)	991 521 623 00 V08	Galvano silver			
(3)	991 521 624 00	Actuator button lever for folding backrest Sports seat Plus	right	1	PR:319,320, 323,324
	991 521 624 00 V08	Galvano silver			
4	991 521 621 01	Rosette Actuator button Sports seat Plus lever for folding backrest	left	1	PR:319,320, 323,324, -XWK,-XWL
(4)	991 521 621 01 D20	silver grey metallic			
(4)	991 521 622 01	Rosette Actuator button Sports seat Plus lever for folding backrest	right	1	PR:319,320, 323,324, -XWK,-XWL
	991 521 622 01 D20	silver grey metallic			
(4)	991 521 987 01	Rosette Actuator button lever for folding backrest	left	1	PR:XWK,319, 320,323,324, XWL,092
	991 521 987 01 5Q0	Black	-NE		

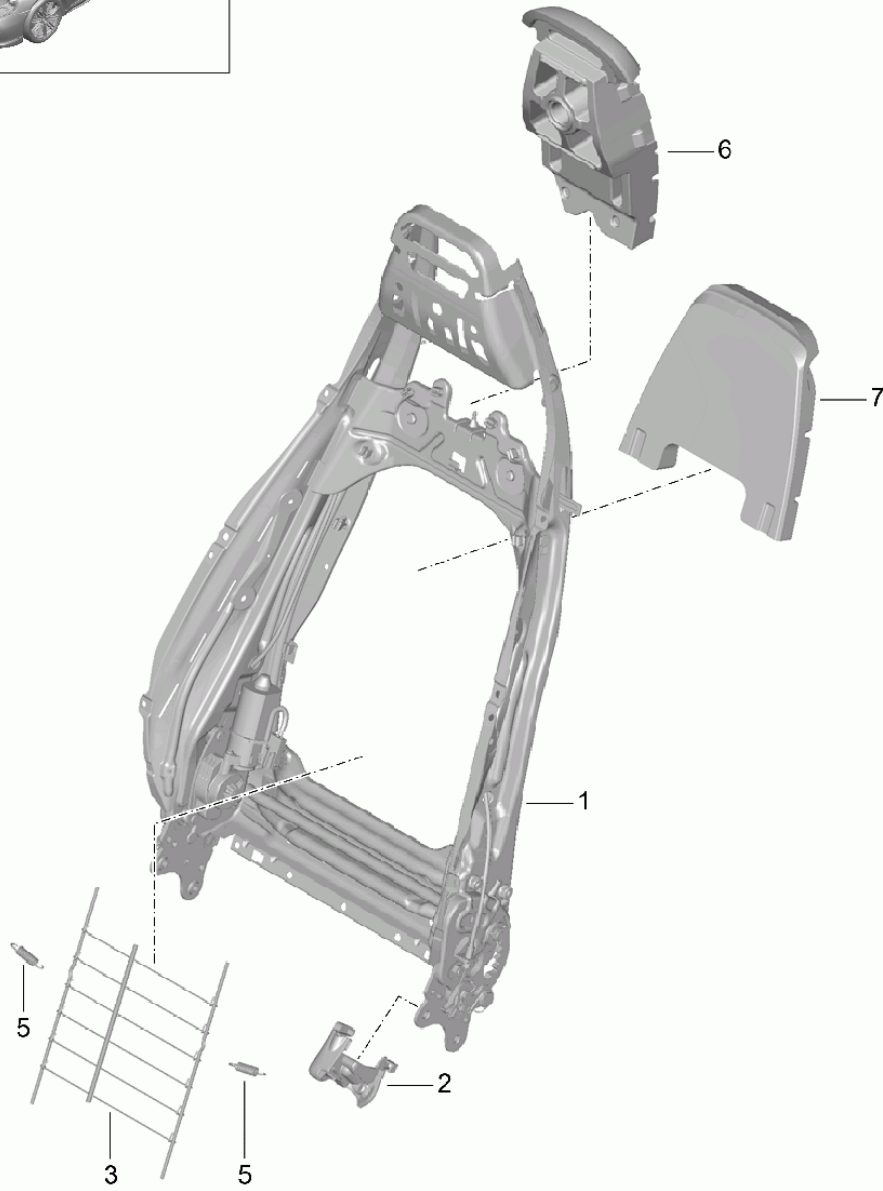
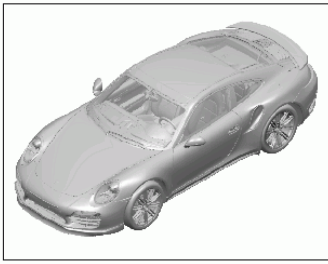
Model: 991T13

Model life 2014>>

Pos	Part Number	Description	Remark	Qty	Model
(4)	991 521 987 01 OA6	agate grey	-FZ	1	PR:XWK,319, 320,323,324, XWL,092
	991 521 987 01 OH7	Graphite Blue	-HZ		
	991 521 987 01 OL7	saddle brown	-SZ		
	991 521 987 01 6W0	Luxor beige	-UZ,BT		
	991 521 987 01 OG6	Bordeaux red	-LZ,BM		
	991 521 987 01 OL8	Chalk	-BG		
	991 521 988 01	Rosette	right		
		Actuator button			
		lever for folding backrest			
	991 521 988 01 5Q0	Black	-NE		
	991 521 988 01 OA6	agate grey	-FZ		
	991 521 988 01 OH7	Graphite Blue	-HZ		
	991 521 988 01 OL7	saddle brown	-SZ		
	991 521 988 01 6W0	Luxor beige	-UZ,BT		
991 521 988 01 OG6	Bordeaux red	-LZ,BM			
991 521 988 01 OL8	Espresso	-BG			
5	997 521 733 00	Air guide channel backrest		1	PR:319,320, 323,324,541

Model: 991T13

Model life 2014>>

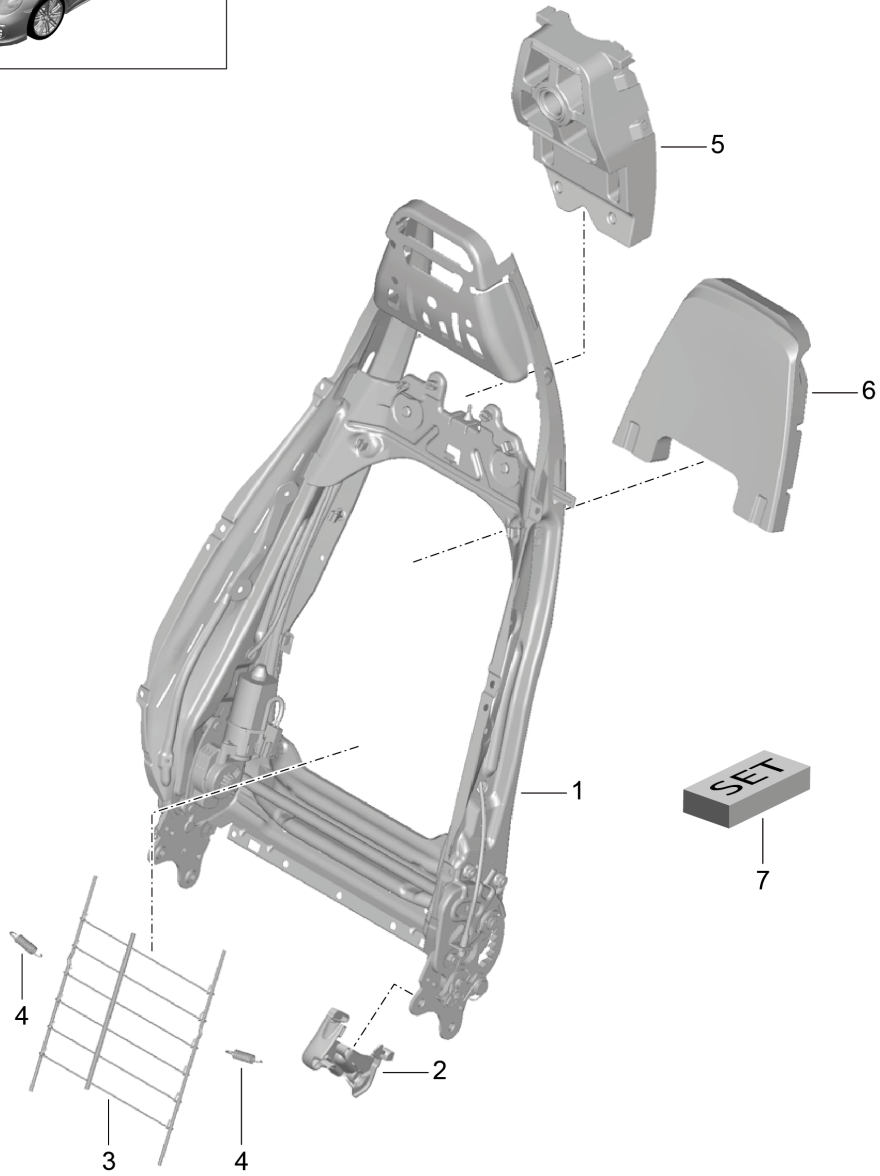
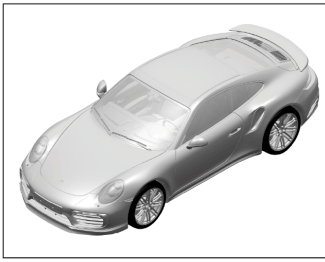


Model: 991T13 Model life 2014>>

Pos	Part Number	Description	Remark	Qty	Model
1	991 521 329 00	Backrest frame Sports seat Plus Accessories backrest frame Sport version No memory function		1	PR:315,316, 319,320
(1)	991 521 329 01	backrest frame Sport version With memory function		1	PR:321,322, 323,324
(1)	9P1 881 045 F	D >> - MJ 2014 backrest frame Sport version With memory function D - MJ 2015>>		1	PR:321,322, 323,324
2	991 521 335 00	Trim Mounting component Sport version	left inner	1	PR:319,321, 323
(2)	991 521 335 00 D20	silver grey metallic			
(2)	991 521 336 00	Trim Mounting component Sport version	right inner	1	PR:320,322, 324
(2)	991 521 336 00 D20	silver grey metallic			
(2)	991 521 337 00	Trim Mounting component Sport version	right inner	1	PR:320,322, 324
(2)	991 521 337 00 D20	silver grey metallic			
(2)	991 521 338 00	Trim Mounting component Sport version	left inner	1	PR:319,321, 323
3	991 521 338 00 D20	silver grey metallic			
3	991 521 855 00	Grille Backrest frame		1	PR:319,320, 321,322,323, 324
5	991 521 893 00	tension spring Grille Backrest frame	left a. right	1	PR:319,320, 321,322,323, 324
6	991 521 887 02	Foam part Head restraint Backrest frame		1	PR:319,320, 323,324
7	991 521 897 01	Sport version Foam part backrest Backrest frame		1	PR:319,320, 323,324
-	991 521 902 00	Sport version repair set backrest Fasteners		1	

Model: 991T13

Model life 2014>>



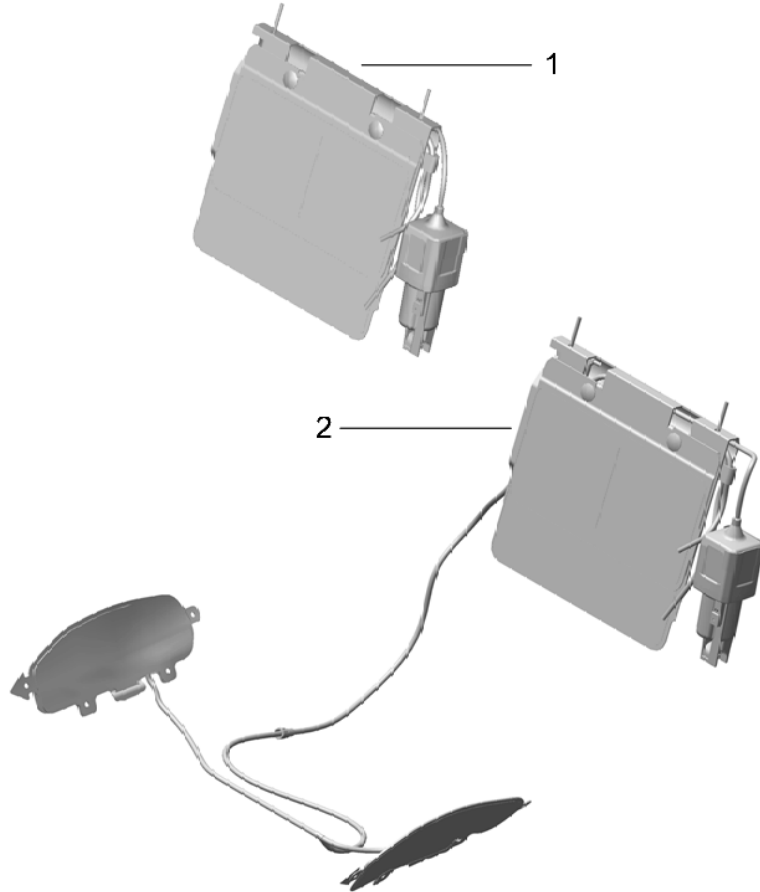
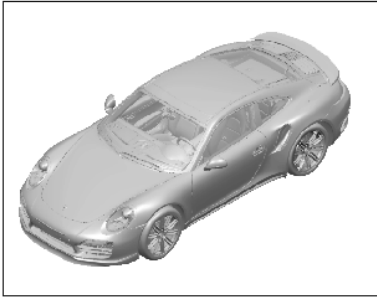
Model: 991T13

Model life 2014>>

Pos	Part Number	Description	Remark	Qty	Model
1	9P1 881 045 E	Backrest frame Sports seat Plus Accessories D - MJ 2017>> backrest frame Sports seat Plus No memory function		1	PR:319,320
(1)	9P1 881 045 F	backrest frame Sports seat Plus With memory function		1	PR:323,324
2	991 521 335 01	Cover panel Mounting component Sports seat Plus	left inner	1	PR:319,323
(2)	991 521 335 01 D20 991 521 336 01	silver grey metallic Cover panel Mounting component Sports seat Plus	right inner	1	PR:320,324
(2)	991 521 336 01 D20 991 521 337 01	silver grey metallic Cover panel Mounting component Sports seat Plus	right inner	1	PR:320,324
(2)	991 521 337 01 D20 991 521 338 01	silver grey metallic Cover panel Mounting component Sports seat Plus	left inner	1	PR:319,323
3	991 521 338 01 D20 991 521 855 00	silver grey metallic Grille Backrest frame		1	PR:319,320, 323,324
4	991 521 893 00	tension spring Grille	left a. right	1	PR:319,320, 323,324
5	991 521 887 02	Backrest frame Foam part Head restraint Backrest frame Sport version		1	PR:319,320, 323,324
6	991 521 897 01	Foam part backrest Backrest frame Sport version		1	PR:319,320, 323,324
7	991 521 902 00	repair set backrest Fasteners		1	

Model: 991T13

Model life 2014>>





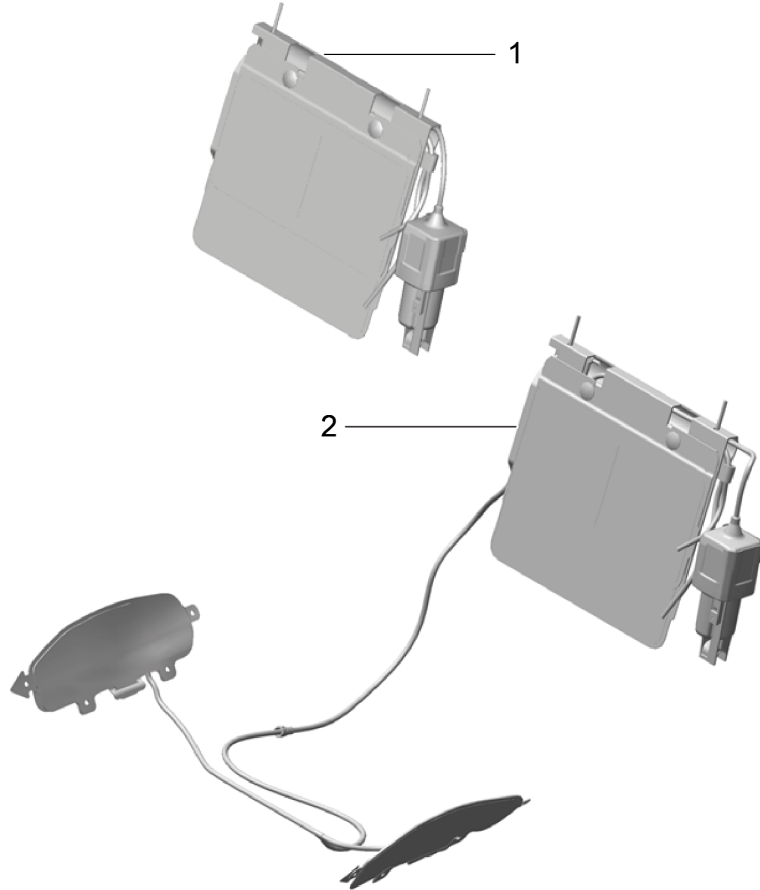
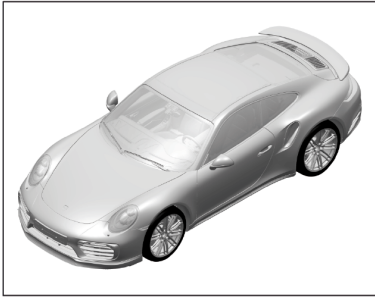
Model: 991T13

Model life 2014>>

Pos	Part Number	Description	Remark	Qty	Model
1	991 521 394 00	Lumbar support Accessories Lumbar support Units		1	PR:322
(1)	991 521 393 00	No memory function Lumbar support Units		1	PR:321
2	991 521 394 01	With memory function Lumbar support Units		1	PR:324
(2)	991 521 393 01	No memory function Lumbar support Units With memory function		1	PR:323

Model: 991T13

Model life 2014>>



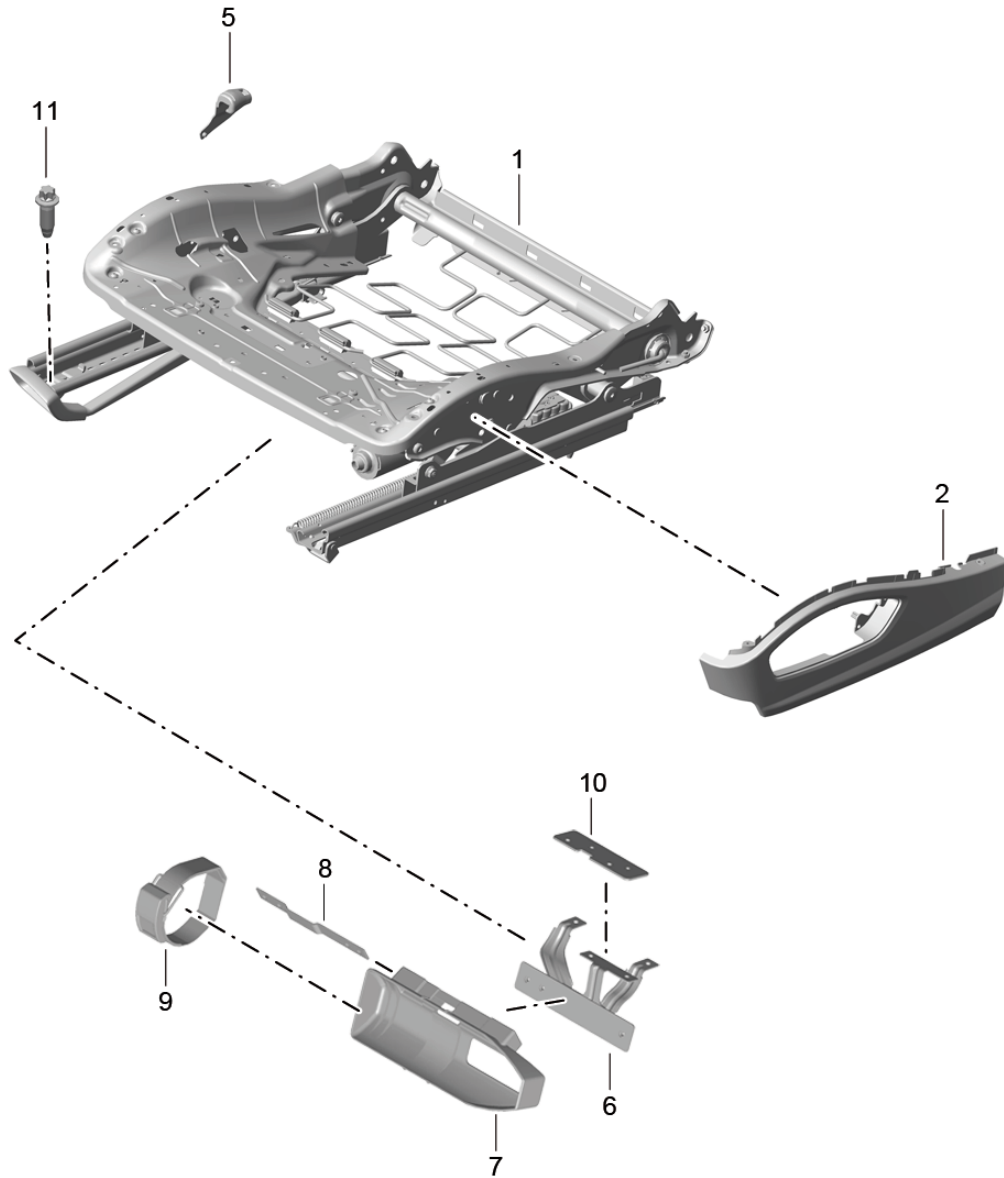
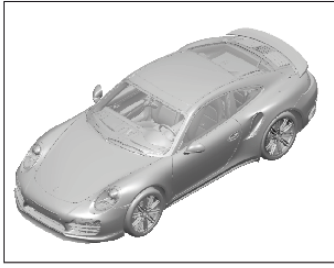
Model: 991T13

Model life 2014>>

Pos	Part Number	Description	Remark	Qty	Model
1	991 521 394 00	Lumbar support Accessories Lumbar support Units		1	PR:322
(1)	991 521 393 00	No memory function Lumbar support Units		1	PR:321
2	991 521 394 01	With memory function Lumbar support Units		1	PR:324
(2)	991 521 393 01	No memory function Lumbar support Units With memory function		1	PR:323

Model: 991T13

Model life 2014>>



Model: 991T13 Model life 2014>>

Pos	Part Number	Description	Remark	Qty	Model
1	991 521 201 00	Seat frame Sports seat Plus Accessories Trim for switch	left	1	PR:319
1	991 521 202 00	Seat frame Sports seat Plus	right	1	PR:320
1	991 521 201 01	Seat frame Sports seat Plus	left	1	PR:323,321, -IY2
1	9P1 881 105 G	Electric With memory function D >> - MJ 2015 Seat frame (electrically adjustable)	left	1	PR:321,323, IY2
(1)	991 521 202 01	sports seat Electric With memory function D - MJ 2015>> Seat frame	right	1	PR:324,322, -IY2
(1)	9P1 881 106 G	Sports seat Plus Electric With memory function D >> - MJ 2015 Seat frame (electrically adjustable)	right	1	PR:322,324, IY2
2	991 521 325 00	sports seat Electric With memory function D - MJ 2015>> Trim for switch	left	1	PR:319,323, 321
(2)	991 521 325 00 D20	Sports seat Plus silver grey metallic			
(2)	991 521 326 00	Trim for switch	right	1	PR:320,324, 322
(2)	991 521 326 00 D20	Sports seat Plus silver grey metallic			
(2)	991 521 989 01	Trim for switch	left	1	PR:XWK,319, 323,XWL,092
	991 521 989 01 A11	Sports seat Plus Black	-AZ,BQ		PR:XWL,092, 323
	991 521 989 01 9B0	Platinum Grey	-CZ,BR		
	991 521 989 01 7J0	Luxor beige	-UZ,BL		
	991 521 989 01 6A0	yachting blue	-EZ		
	991 521 989 01 OA1	agate grey	-DK		
	991 521 989 01 DE1	Umber			
(2)	991 521 989 01 OD4	flint grey	-BV		
(2)	991 521 990 01	Trim for switch	right	1	PR:XWK,320, 324,XWL,092
	991 521 990 01 A11	Sports seat Plus Black	-AZ,BQ		
	991 521 990 01 9B0	Platinum Grey	-CZ,BR		
	991 521 990 01 7J0	Luxor beige	-UZ,BL		
	991 521 990 01 6A0	yachting blue	-EZ		
	991 521 990 01 OA1	agate grey	-DK		
	991 521 990 01 DE1	Umber			
(2)	991 521 990 01 OD4	flint grey	-BV		
(2)	991 521 989 02	Trim for switch	left	1	PR:XWK,319, 323,998,XWL, 092
	991 521 989 02 6J0	Sports seat Plus Espresso	-NE		
	991 521 989 02 N12	Carrera Red	-NG,BA		
	991 521 989 02 7F0	Cognac	-BH		

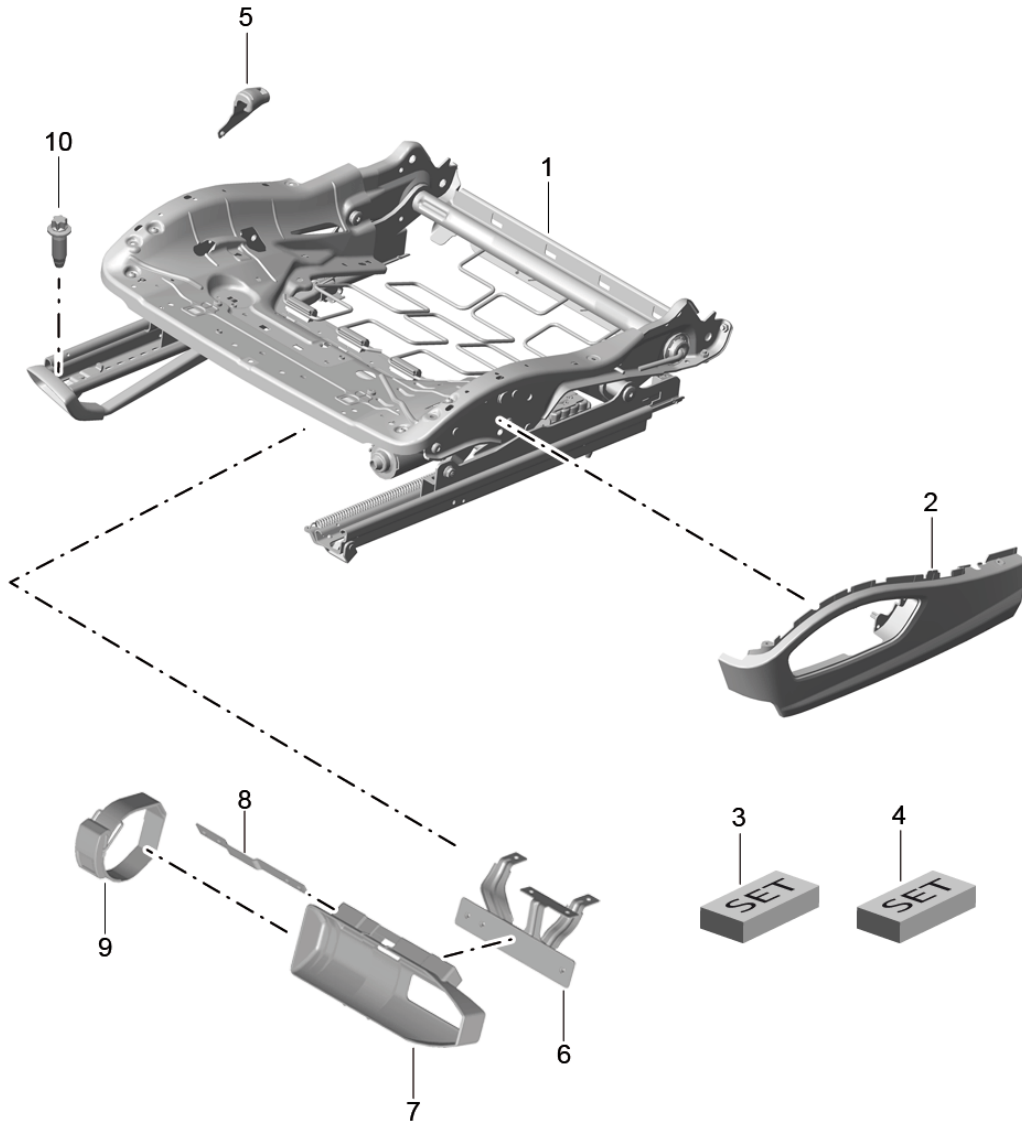
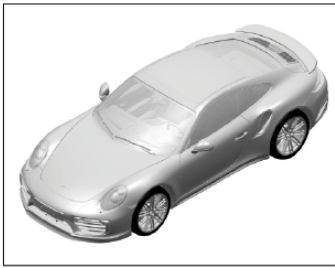
Model: 991T13

Model life 2014>>

Pos	Part Number	Description	Remark	Qty	Model
(2)	991 521 990 02	Trim for switch Sports seat Plus	right	1	PR:XWK,320, 324,998,XWL, 092
	991 521 990 02 6J0	Espresso	-NE		
	991 521 990 02 N12	Carrera Red	-NG,BA		
	991 521 990 02 7F0	Cognac	-BH		
5	991 521 612 00	Protective plate Belt latch Seat frame Front seat		1	PR:324,560, 322
-	991 521 901 00	repair set Seat frame Set of fastening parts		1	
6	997 521 251 00	Holder for fire extinguisher		1	PR:509,099
(6)	997 521 252 00	Holder for fire extinguisher		1	PR:509,098
7	7PP 882 650	Cup Fire extinguishers		1	PR:509
8	7PP 882 649	Insert Cup Fire extinguishers		1	PR:509
9	7PP 882 645	tensioning strap Fire extinguishers		1	PR:509
10	997 521 841 00	Reinforcement Bracket Fire extinguishers	front	1	PR:509
(10)	997 521 843 00	Reinforcement Bracket Fire extinguishers	rear	1	PR:509
11	WHT 007 691	Outer hexagon round screw Seat rail Front seat Floor section		4	

Model: 991T13

Model life 2014>>



Model: 991T13

Model life 2014>>

Pos	Part Number	Description	Remark	Qty	Model
1	9P1 881 105 F	Seat frame Sports seat Plus Accessories D - MJ 2017>> Seat frame	left	1	PR:315,319
(1)	9P1 881 106 F	sports seat Seat frame	right	1	PR:316,320
(1)	9P1 881 105 G	sports seat Seat frame (electrically adjustable) Sports seat Plus Electric	left	1	PR:321,323
(1)	9P1 881 106 G	With memory function Seat frame (electrically adjustable) Sports seat Plus Electric With memory function	right	1	PR:322,324
2	991 521 325 00	Trim for switch Sports seat Plus	left	1	PR:315,319, 321,323,-XWK
(2)	991 521 325 00 D20	silver grey metallic			
(2)	991 521 326 00	Trim for switch Sports seat Plus	right	1	PR:316,320, 322,324,-XWK
(2)	991 521 326 00 D20	silver grey metallic			
(2)	991 521 989 01	Trim for switch Sports seat Plus	left	1	PR:XWK,319, 323,983,-998
	991 521 989 01 A11	Black	-AZ		
	991 521 989 01 7J0	Luxor beige	-UZ,BT		
	991 521 989 01 OA1	agate grey	-FZ		
	991 521 989 01 OH7	Graphite Blue	-HZ		
	991 521 989 01 OK6	saddle brown	-SZ		
	991 521 989 01 OG6	Bordeaux red	-LZ,BM		
	991 521 989 01 OL8	Chalk	-BG		
(2)	991 521 990 01	Trim for switch Sports seat Plus	right	1	PR:XWK,320, 324,983,-998
	991 521 990 01 A11	Black	-AZ		
	991 521 990 01 7J0	Luxor beige	-UZ,BT		
	991 521 990 01 OA1	agate grey	-FZ		
	991 521 990 01 OH7	Graphite Blue	-HZ		
	991 521 990 01 OK6	saddle brown	-SZ		
	991 521 990 01 OG6	Bordeaux red	-LZ,BM		
	991 521 990 01 OL8	Chalk	-BG		
(2)	991 521 989 02	Trim for switch Sports seat Plus	left	1	PR:XWK,319, 323,983,998
	991 521 989 02 6J0	Espresso	-NE		
	991 521 989 02 7F0	Cognac	-BY		
(2)	991 521 990 02	Trim for switch Sports seat Plus	right	1	PR:XWK,320, 324,983,998
	991 521 990 02 6J0	Espresso	-NE		
	991 521 990 02 7F0	Cognac	-BY		
3	991 521 901 00	repair set Seat frame		1	
5	991 521 612 00	Set of fastening parts Protective plate Belt latch Seat frame Front seat		1	PR:316,322, 324,560
6	9P1 860 232	Holder for fire extinguisher		1	PR:099,509
(6)	9P1 860 232 A	Holder for fire extinguisher		1	PR:098,509
7	7PP 882 650	Cup		1	PR:509
8	7PP 882 649	Fire extinguishers Insert Cup		1	PR:509



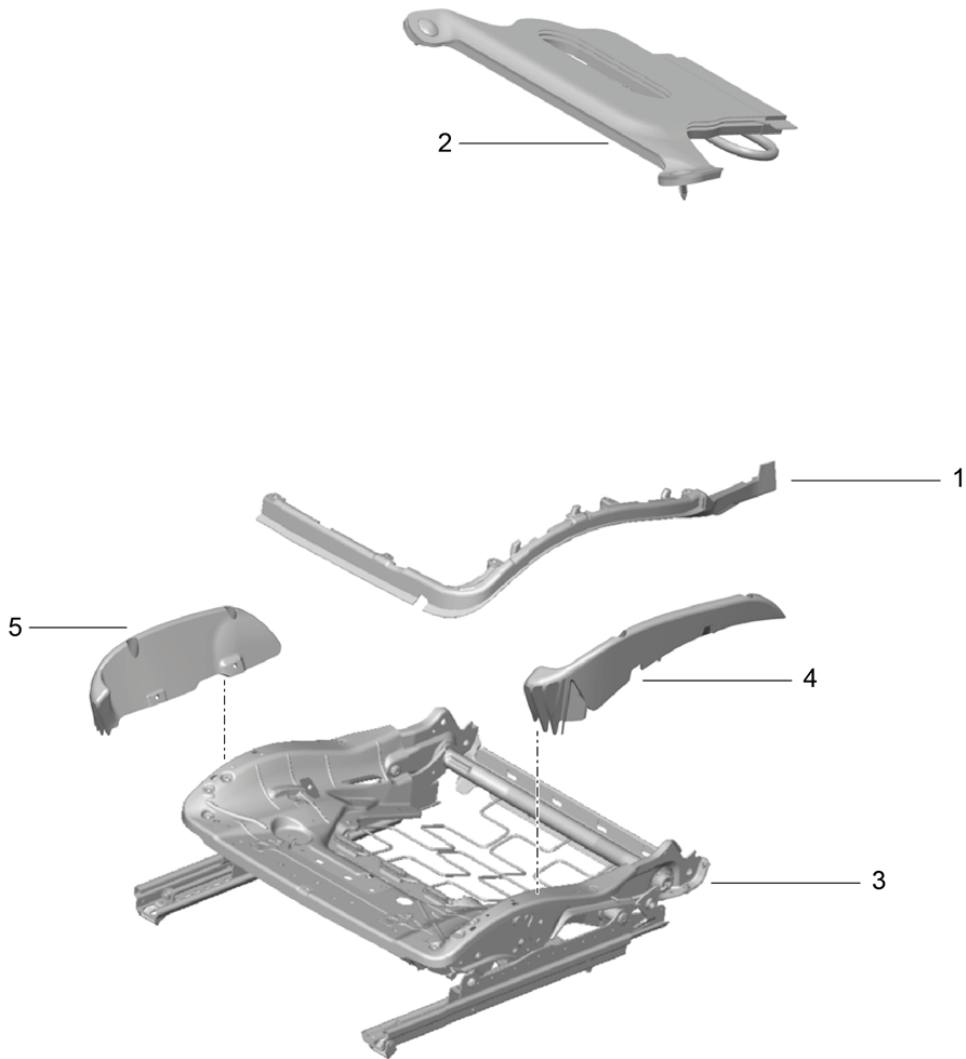
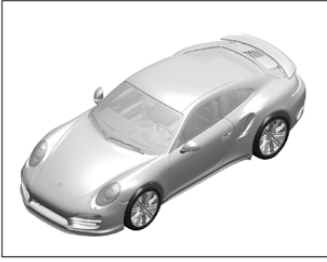
Model: 991T13

Model life 2014&gt;&gt;

Pos	Part Number	Description	Remark	Qty	Model
9	7PP 882 645	Fire extinguishers tensioning strap		1	PR:509
10	WHT 007 691	Fire extinguishers Outer hexagon round screw Seat rail Front seat Floor section		4	

Model: 991T13

Model life 2014>>



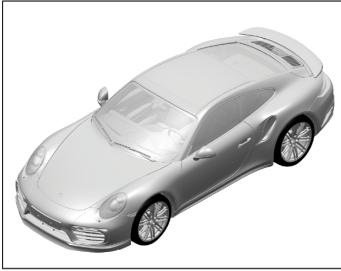
Model: 991T13

Model life 2014>>

Pos	Part Number	Description	Remark	Qty	Model
1	991 521 547 00	Cushion carrier Frame Seat surface Sports seat Plus	left inner	1	PR:320,322, 324
(1)	991 521 548 00	Frame Cushion carrier Seat surface Sports seat Plus	right inner	1	PR:319,321, 323
(1)	991 521 545 00	Frame Cushion carrier Seat surface Sports seat Plus	left outer	1	PR:319,321, 323
(1)	991 521 546 00	Frame Cushion carrier Seat surface Sports seat Plus	right outer	1	PR:320,322, 324
4	970 521 519 00	Support plate	left	1	
5	970 521 520 00	Support plate	right	1	

Model: 991T13

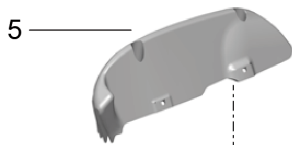
Model life 2014>>



2



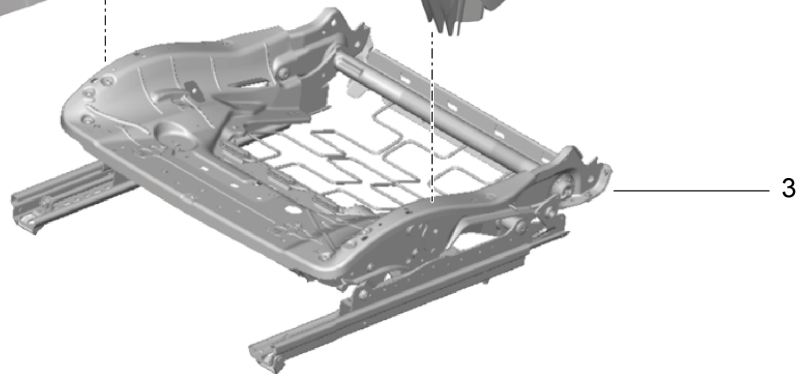
1



5



4



3

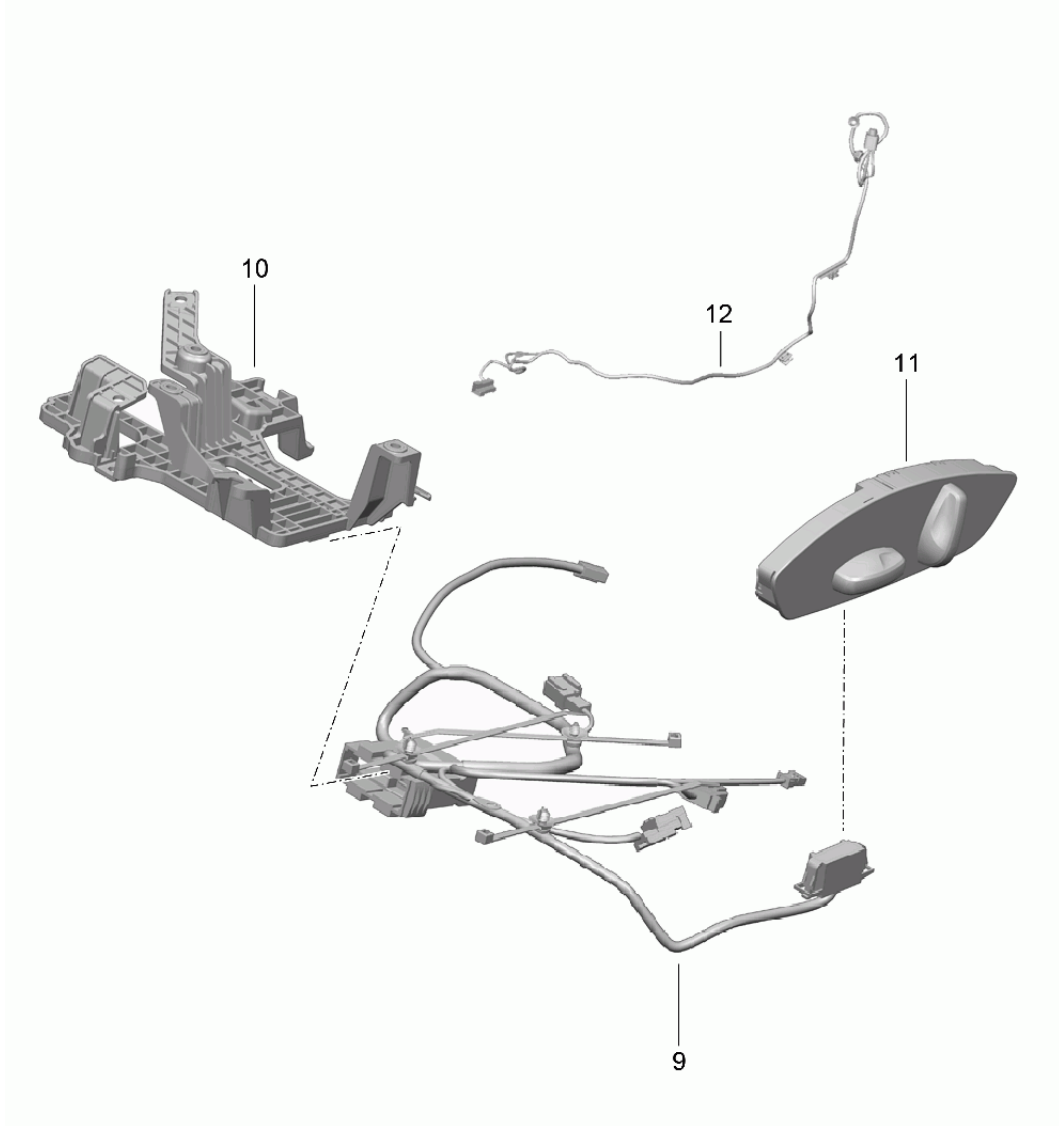
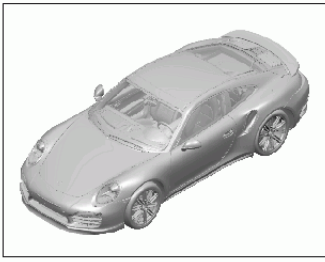
Model: 991T13

Model life 2014>>

Pos	Part Number	Description	Remark	Qty	Model
1	991 521 547 00	Cushion carrier Frame Seat surface Sports seat Plus D - MJ 2017>> Frame	left inner	1	PR:320,322, 324
(1)	991 521 548 00	Cushion carrier Seat surface Sports seat Plus Frame	right inner	1	PR:319,321, 323
(1)	991 521 545 00	Cushion carrier Seat surface Sports seat Plus Frame	left outer	1	PR:319,321, 323
(1)	991 521 546 00	Cushion carrier Seat surface Sports seat Plus Frame	right outer	1	PR:320,322, 324
4	970 521 519 00	Support plate	left	1	
5	970 521 520 00	Support plate	right	1	

Model: 991T13

Model life 2014>>



Model: 991T13 Model life 2014>>

Pos	Part Number	Description	Remark	Qty	Model
		Wiring looms Switch Control units Electric motor Sports seat Plus			
9	991 622 763 01	Wire set Seat adjuster	left	1	PR:319
9	991 622 764 01	Wire set Seat adjuster	right	1	PR:316,320
(9)	991 622 771 01	Wire set Seat adjuster	left	1	PR:319,560
(9)	991 622 772 01	Wire set Seat adjuster	right	1	PR:316,320, 560
(9)	991 622 777 01	Wire set Seat adjuster	left	1	PR:319,342
(9)	991 622 778 01	Wire set Seat adjuster	right	1	PR:320,342
(9)	991 622 779 01	Wire set Seat adjuster	left	1	PR:321,323, 342
(9)	991 622 780 01	Wire set Seat adjuster	left	1	PR:322,324, 342
(9)	991 622 783 01	Wire set Seat adjuster	left	1	PR:319,342, 560
(9)	991 622 784 01	Wire set Seat adjuster	right	1	PR:320,342, 560
10	991 521 643 02	Bracket Electronic component Control units Seat frame Sports seat Plus		1	PR:321,322, 323,324
(10)	991 521 643 01	Bracket Electronic component Control units Seat frame Sports seat Plus		1	PR:319,320, 541
11	991 613 713 01	switch for seat adjustment	left	1	PR:319
	991 613 713 01 DMN	Galvano silver			
(11)	991 613 714 01	switch for seat adjustment	right	1	PR:320
	991 613 714 01 DMN	Galvano silver			
(11)	7PP 959 747 P	Switch module for seat Seat adjuster	left	1	PR:321
	7PP 959 747 P DMN	Galvano silver			
(11)	7PP 959 748 P	Switch module for seat Seat adjuster	right	1	PR:322
	7PP 959 748 P DMN	Galvano silver			
(11)	7PP 959 747 Q	Switch module for seat Seat adjuster	left	1	PR:323
	7PP 959 747 Q DMN	Galvano silver			
(11)	7PP 959 748 Q	Switch module for seat Seat adjuster	right	1	PR:324
	7PP 959 748 Q DMN	Galvano silver			
-	970 618 537 11	Control unit Seat frame		1	PR:321,322, 323,324
12	991 622 795 00	Wire set Airbag Seat	left	1	PR:319,321, 323
(12)	9P1 972 171 A	D >> - 22.06.2015 Wire set Airbag Seat	left	1	PR:319,321, 323
(12)	991 622 796 00	D - 23.06.2015>> Wire set Airbag	right	1	PR:320,322, 324

Model: 991T13

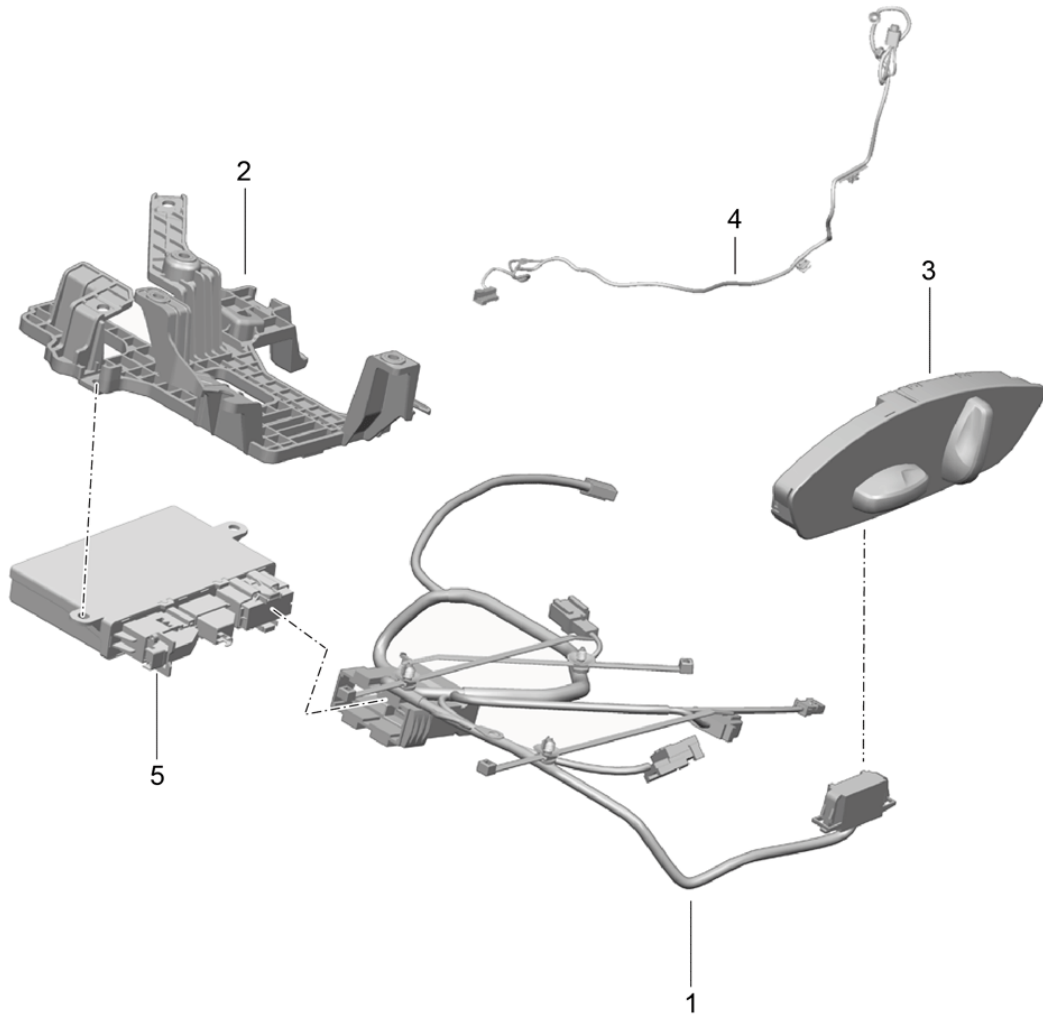
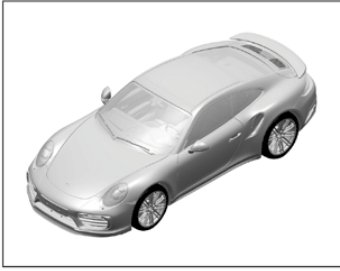
Model life 2014>>

Pos	Part Number	Description	Remark	Qty	Model
(12)	9P1 972 173	Seat D >> - 22.06.2015 Wire set Airbag	right	1	PR:320,322, 324
(12)	9P1 972 173 A	Seat D - 23.06.2015>> - 03.11.2016 Wire set Airbag Seat D - 04.11.2016>>	right	1	PR:320,322, 324



Model: 991T13

Model life 2014>>



Model: 991T13 Model life 2014>>

Pos	Part Number	Description	Remark	Qty	Model
		Wiring looms Switch Control units Electric motor Sports seat Plus D - MJ 2017>>			
1	9P1 971 365	Wire set	left	1	PR:319,-342,-560
(1)	9P1 971 366	Seat adjuster Wire set	right	1	PR:320,-342,-560
(1)	9P1 971 365 A	Seat adjuster Wire set	left	1	PR:319,560,-342
(1)	9P1 971 366 A	Seat adjuster Wire set	right	1	PR:320,560,-342
(1)	9P1 971 365 B	Seat adjuster Wire set	left	1	PR:319,342,-560
(1)	9P1 971 366 B	Seat adjuster Wire set	right	1	PR:320,-560
(1)	9P3 971 391 C	modify in workshop Wire set	left	1	PR:098,321,323,342,-560
(1)	9P3 971 392 C	Seat adjuster Wire set	right	1	PR:098,322,324,342,-560
(1)	9P1 971 365 C	Seat adjuster Wire set	left	1	PR:319
(1)	9P1 971 366 C	modify in workshop Wire set	right	1	PR:320,560
2	991 521 643 02	Seat adjuster Bracket		1	PR:321,322,323,324
(2)	991 521 643 01	Electronic component Control units Seat frame Sports seat Plus Bracket		1	PR:319,320,541
3	991 613 713 01	Electronic component Control units Seat frame Sports seat Plus switch for seat adjustment	left	1	PR:319
(3)	991 613 713 01 DMN	Galvano silver			
(3)	991 613 714 01	switch for seat adjustment	right	1	PR:320
(3)	991 613 714 01 DMN	Galvano silver			
(3)	7PP 959 747 AB	Switch module for seat Seat adjuster	left	1	PR:323
(3)	7PP 959 747 AB DMN	Galvano silver			
(3)	7PP 959 748 AB	Switch module for seat Seat adjuster	right	1	PR:324
(3)	7PP 959 748 AB DMN	Galvano silver			
4	9P1 972 171	Wire set	left	1	PR:319,321,323
(4)	991 622 796 00	Airbag Seat Wire set	right	1	PR:320,322,324
(4)	9P1 972 173	Airbag Seat D >> - 22.06.2015	right	1	PR:320,322,324
(4)	9P1 972 173 A	D - 23.06.2015>> - 03.11.2016 Wire set Airbag Seat	right	1	PR:320,322,324

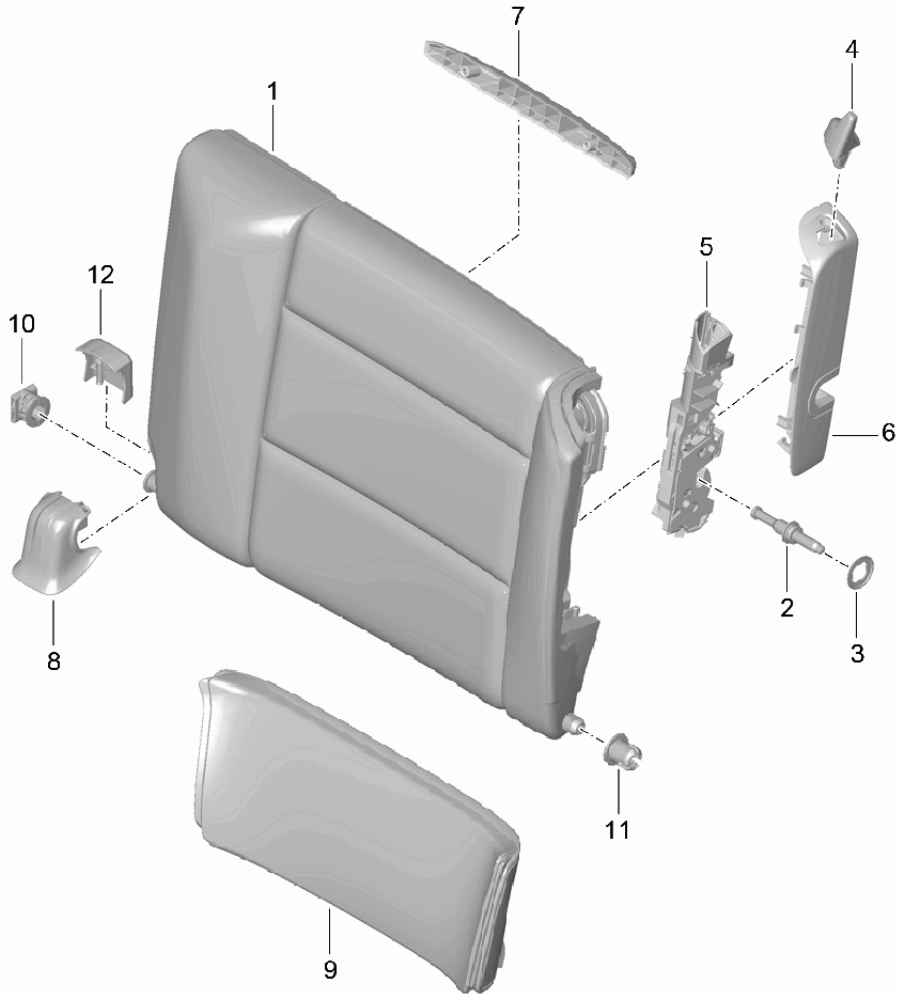
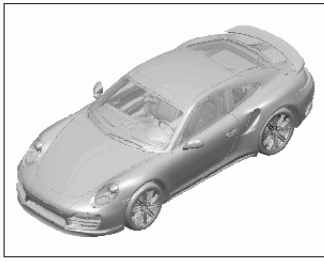
Model: 991T13

Model life 2014&gt;&gt;

Pos	Part Number	Description	Remark	Qty	Model
5	970 618 537 12	D - 04.11.2016>> Control unit Seat frame		1	PR:321,322, 323,324

Model: 991T13

Model life 2014>>



Model: 991T13 Model life 2014>>

Pos	Part Number	Description	Remark	Qty	Model
		Emergency seat backrest Accessories			Coupe
1	991 522 011 02	Emergency seat backrest Discontinued part	left	1	PR:685,936
	991 522 011 02 8YR	Black	-AZ		
	991 522 011 02 7A0	Platinum Grey	-CZ, BR		
	991 522 011 02 9H6	Luxor beige	-UZ, BL		
	991 522 011 02 6U7	yachting blue	-EZ		
	991 522 011 02 PL1	agate grey	-DK		
	991 522 011 02 PQ4	flint grey	-BV		
	991 522 011 02 DE1	Umber			
	991 522 011 02 GSA	Black/Carrera Red	-BQ		
(1)	991 522 011 17	Emergency seat backrest Discontinued part	left	1	PR:685,936
	991 522 011 17 8YR	Black	-AZ		
	991 522 011 17 7A0	Platinum Grey	-CZ, BR		
	991 522 011 17 9H6	Luxor beige	-UZ, BL		
	991 522 011 17 6U7	yachting blue	-EZ		
	991 522 011 17 PL1	agate grey	-DK		
	991 522 011 17 PQ4	flint grey	-BV		
	991 522 011 17 DE1	Umber			
	991 522 011 17 GSA	Black/Carrera Red	-BQ		
(1)	991 522 012 02	Emergency seat backrest Discontinued part	right	1	PR:685,936
	991 522 012 02 8YR	Black	-AZ		
	991 522 012 02 7A0	Platinum Grey	-CZ, BR		
	991 522 012 02 9H6	Luxor beige	-UZ, BL		
	991 522 012 02 6U7	yachting blue	-EZ		
	991 522 012 02 PL1	agate grey	-DK		
	991 522 012 02 PQ4	flint grey	-BV		
	991 522 012 02 DE1	Umber			
	991 522 012 02 GSA	Black/Carrera Red	-BQ		
(1)	991 522 012 17	Emergency seat backrest Discontinued part	right	1	PR:685,936
	991 522 012 17 8YR	Black	-AZ		
	991 522 012 17 7A0	Platinum Grey	-CZ, BR		
	991 522 012 17 9H6	Luxor beige	-UZ, BL		
	991 522 012 17 6U7	yachting blue	-EZ		
	991 522 012 17 PL1	agate grey	-DK		
	991 522 012 17 PQ4	flint grey	-BV		
	991 522 012 17 DE1	Umber			
	991 522 012 17 GSA	Black/Carrera Red	-BQ		
(1)	991 522 011 04	Emergency seat backrest Discontinued part	left	1	PR:685,936, 998
	991 522 011 04 8C0	Espresso	-NE		
	991 522 011 04 N11	Carrera Red	-NG		
	991 522 011 04 9EF	Cognac	-BH		
(1)	991 522 011 19	Emergency seat backrest Discontinued part	left	1	PR:685,936, 998
	991 522 011 19 8C0	Espresso	-NE		
	991 522 011 19 N11	Carrera Red	-NG		
	991 522 011 19 9EF	Cognac	-BH		
(1)	991 522 012 04	Emergency seat backrest Discontinued part	right	1	PR:685,936, 998
	991 522 012 04 8C0	Espresso	-NE		
	991 522 012 04 N11	Carrera Red	-NG		
	991 522 012 04 9EF	Cognac	-BH		
(1)	991 522 012 19	Emergency seat backrest Discontinued part	right	1	PR:685,936, 998
	991 522 012 19 8C0	Espresso	-NE		
	991 522 012 19 N11	Carrera Red	-NG		
	991 522 012 19 9EF	Cognac	-BH		
2	991 522 491 00	Pin Locking mechanism backrest	left a. right	1	PR:685

Model: 991T13 Model life 2014>>

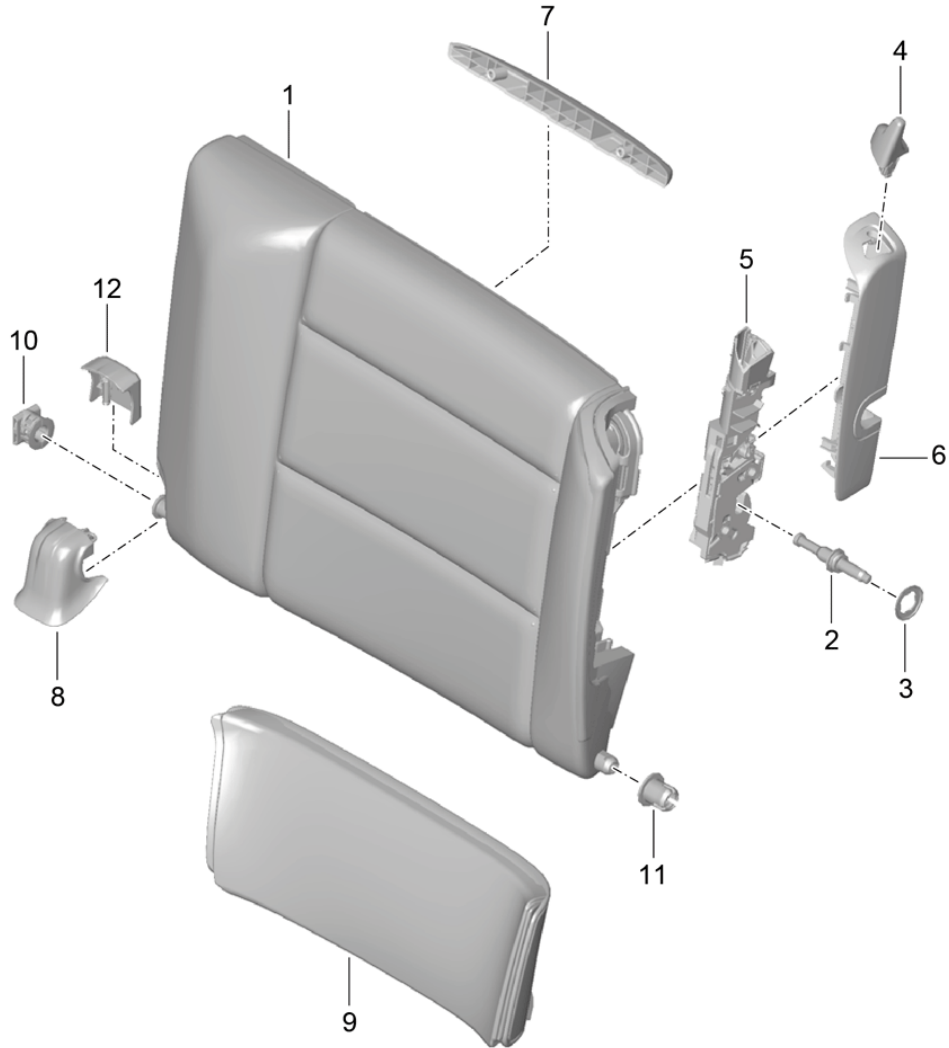
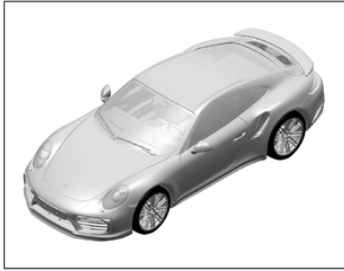
Pos	Part Number	Description	Remark	Qty	Model
3	991 522 341 00	Cover Pin Locking mechanism backrest	left a. right	1	PR:685
	991 522 341 00 1E0	Black			
4	991 522 321 01	Actuating lever lever for folding backrest	left	1	PR:685
	991 522 321 01 1E0	Black			
(4)	991 522 322 01	Actuating lever lever for folding backrest	right	1	PR:685
	991 522 322 01 1E0	Black			
5	991 522 391 00	lock	left	1	PR:685
		Backrest frame			
(5)	991 522 392 00	lock	right	1	PR:685
		Backrest frame			
6	991 522 345 00	Cover panel lock	left	1	PR:685
	991 522 345 00 1E0	Black			
(6)	991 522 346 00	Cover panel lock	right	1	PR:685
	991 522 346 00 1E0	Black			
7	991 522 421 00	Stop Backrest	left a. right	1	PR:685
	991 522 421 00 1E0	Black			
8	991 522 343 00	Cover Bracket backrest	center	1	PR:685
	991 522 343 00 1E0	Black			
9	991 522 235 01	Lumbar support Back seat backrest Discontinued part	left	1	PR:685,936
	991 522 235 01 8YR	Black	-AZ		
	991 522 235 01 7A0	Platinum Grey	-CZ,BR		
	991 522 235 01 9H6	Luxor beige	-UZ,BL		
	991 522 235 01 6U7	Black/yachting blue	-EZ		
	991 522 235 01 PL1	Black/agate grey	-DK		
	991 522 235 01 PQ4	Black/pebble grey	-BV		
	991 522 235 01 DE1	Umber			
	991 522 235 01 N11	Carrera Red	-BA,BQ		
9	991 522 235 08	Lumbar support Back seat backrest	left	1	PR:685,936
	991 522 235 08 8YR	Black	-AZ		
	991 522 235 08 7A0	Platinum Grey	-CZ,BR		
	991 522 235 08 9H6	Luxor beige	-UZ,BL		
	991 522 235 08 6U7	Black/yachting blue	-EZ		
	991 522 235 08 PL1	Black/agate grey	-DK		
	991 522 235 08 PQ4	Black/pebble grey	-BV		
	991 522 235 08 DE1	Black/umbra			
	991 522 235 08 N11	Carrera Red/Carrera Red	-BA,BQ		
(9)	991 522 236 01	Lumbar support Back seat backrest Discontinued part	right	1	PR:685,936
	991 522 236 01 8YR	Black	-AZ		
	991 522 236 01 7A0	Platinum Grey	-CZ,BR		
	991 522 236 01 9H6	Luxor beige	-UZ,BL		
	991 522 236 01 6U7	yachting blue	-EZ		
	991 522 236 01 PL1	agate grey	-DK		
	991 522 236 01 PQ4	flint grey	-BV		
(9)	991 522 236 08	Lumbar support Back seat backrest	right	1	PR:685,936
	991 522 236 08 8YR	Black	-AZ		
	991 522 236 08 7A0	Platinum Grey	-CZ,BR		
	991 522 236 08 9H6	Luxor beige	-UZ,BL		

Model: 991T13 Model life 2014>>

Pos	Part Number	Description	Remark	Qty	Model
	991 522 236 08 6U7	yachting blue	-EZ		
	991 522 236 08 PL1	agate grey	-DK		
	991 522 236 08 PQ4	flint grey	-BV		
	991 522 236 08 N11	Carrera Red/Carrera Red	-BA,BQ		
(9)	991 522 235 02	Lumbar support	left	1	PR:685,936,998
		Back seat backrest			
		Discontinued part			
	991 522 235 02 8C0	Espresso	-NE		
	991 522 235 02 N11	Carrera Red	-NG		
	991 522 235 02 9EF	Cognac	-BH		
(9)	991 522 235 09	Lumbar support	left	1	PR:685,936,998
		Back seat backrest			
	991 522 235 09 8C0	Espresso	-NE		
	991 522 235 09 N11	Carrera Red	-NG		
	991 522 235 09 9EF	Cognac	-BH		
(9)	991 522 236 02	Lumbar support	right	1	PR:685,936,998
		Back seat backrest			
		Discontinued part			
	991 522 236 02 8C0	Espresso	-NE		
	991 522 236 02 N11	Carrera Red	-NG		
	991 522 236 02 9EF	Cognac	-BH		
(9)	991 522 236 09	Lumbar support	right	1	PR:685,936,998
		Back seat backrest			
	991 522 236 09 8C0	Espresso	-NE		
	991 522 236 09 N11	Carrera Red	-NG		
	991 522 236 09 9EF	Cognac	-BH		
10	991 522 431 00	Plain bearing		1	PR:685
		Back seat backrest			
11	991 522 433 00	Plain bearing		1	PR:685
		Back seat backrest			
12	991 522 353 00	Cover		1	PR:685
		Bracket			
		Back seat backrest			
	991 522 353 00 1E0	Black			

Model: 991T13

Model life 2014>>





Model: 991T13

Model life 2014>>

Pos	Part Number	Description	Remark	Qty	Model
		Emergency seat backrest Accessories D - MJ 2017>>			Coupe
1	991 522 011 17	Emergency seat backrest	left	1	PR:685,936, -998
	991 522 011 17 8YR	Black	-AZ		
	991 522 011 17 PL1	agate grey	-FZ		
	991 522 011 17 OH7	Graphite Blue	-HZ		
	991 522 011 17 OK6	saddle brown	-SZ		
	991 522 011 17 9H6	Luxor beige	-UZ		
	991 522 011 17 OG6	Bordeaux red	-LZ		
	991 522 011 17 GFK	Black/Luxor Beige	-BT		
	991 522 011 17 GUK	Black/Bordeaux Red	-BM		
	991 522 011 17 GTK	Graphite Blue/Chalk	-BG		
(1)	991 522 012 17	Emergency seat backrest	right	1	PR:685,936, -998
	991 522 012 17 8YR	Black	-AZ		
	991 522 012 17 PL1	agate grey	-FZ		
	991 522 012 17 OH7	Graphite Blue	-HZ		
	991 522 012 17 OK6	saddle brown	-SZ		
	991 522 012 17 9H6	Luxor beige	-UZ		
	991 522 012 17 OG6	Bordeaux red	-LZ		
	991 522 012 17 GFK	Black/Luxor Beige	-BT		
	991 522 012 17 GUK	Black/Bordeaux Red	-BM		
	991 522 012 17 GTK	Graphite Blue/Chalk	-BG		
(1)	991 522 011 19	Emergency seat backrest	left	1	PR:685,936, 998
	991 522 011 19 8C0	Espresso	-NE		
	991 522 011 19 GRK	Espresso/Cognac	-BY		
(1)	991 522 012 19	Emergency seat backrest	right	1	PR:685,936, 998
	991 522 012 19 8C0	Espresso	-NE		
	991 522 012 19 GRK	Espresso/Cognac	-BY		
2	991 522 491 00	Pin Locking mechanism backrest	left a. right	1	PR:685
3	991 522 341 00	Cover Pin Locking mechanism backrest	left a. right	1	PR:685
4	991 522 341 00 1E0	Black			
	991 522 321 01	Actuating lever lever for folding backrest	left	1	PR:685
	991 522 321 01 1E0	Black			
(4)	991 522 322 01	Actuating lever lever for folding backrest	right	1	PR:685
	991 522 322 01 1E0	Black			
5	991 522 391 00	lock Backrest frame	left	1	PR:685
(5)	991 522 392 00	lock Backrest frame	right	1	PR:685
6	991 522 345 00	Cover panel lock	left	1	PR:685
	991 522 345 00 1E0	Black			
(6)	991 522 346 00	Cover panel lock	right	1	PR:685
	991 522 346 00 1E0	Black			
7	991 522 421 00	Stop Backrest	left a. right	1	PR:685
	991 522 421 00 1E0	Black			
8	991 522 343 00	Cover Bracket backrest	center	1	PR:685

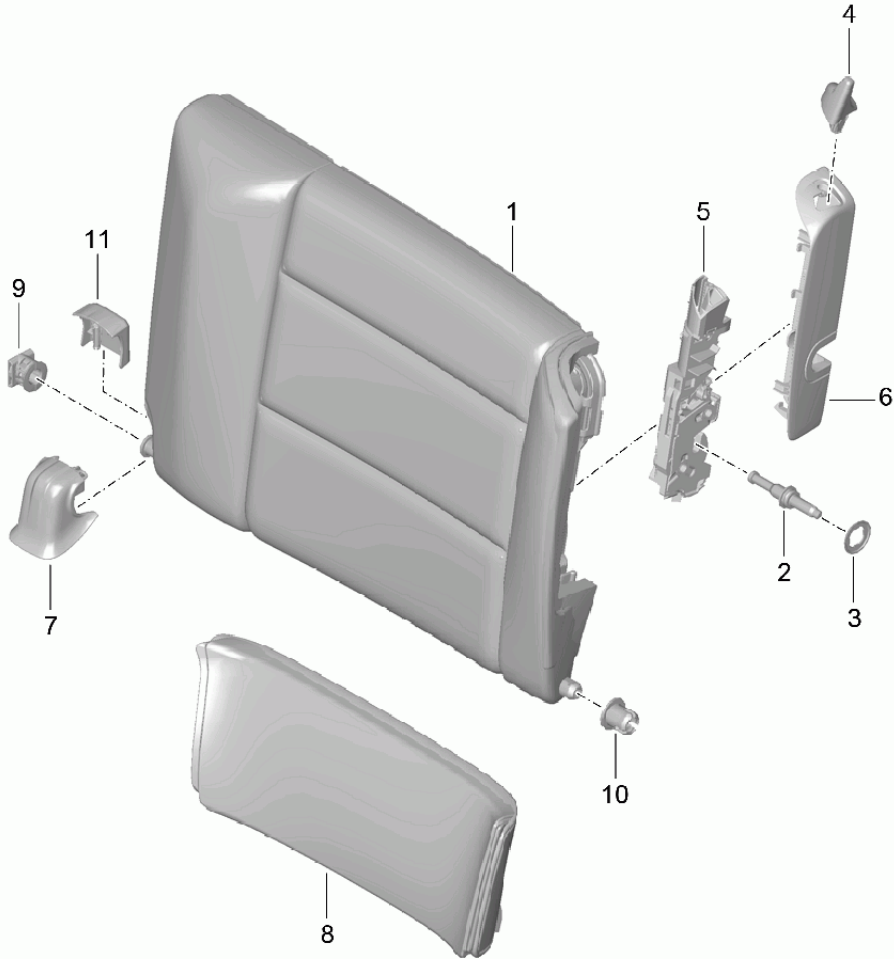
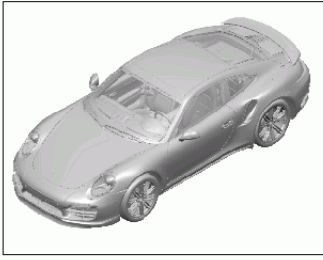
Model: 991T13

Model life 2014>>

Pos	Part Number	Description	Remark	Qty	Model	
9	991 522 343 00 1E0	Black				
	991 522 235 08	Lumbar support	left	1	PR:685,936, -998	
		Back seat backrest				
	991 522 235 08 8YR	Black	-AZ			
	991 522 235 08 PL1	Black/agate grey	-FZ			
	991 522 235 08 OH7	Graphite Blue	-HZ			
	991 522 235 08 OK6	saddle brown	-SZ			
	991 522 235 08 9H6	Luxor beige	-UZ,BT			
	991 522 235 08 OG6	Bordeaux red	-LZ,BM			
	991 522 235 08 OL8	Chalk	-BG			
(9)	991 522 236 08	Lumbar support	right	1	PR:685,936	
		Back seat backrest				
	991 522 236 08 8YR	Black	-AZ			
	991 522 236 08 PL1	agate grey	-FZ			
	991 522 236 08 OH7	Graphite Blue	-HZ			
	991 522 236 08 OK6	saddle brown	-SZ			
	991 522 236 08 9H6	Luxor beige	-UZ,BT			
	991 522 236 08 OG6	Bordeaux red	-LZ,BM			
	991 522 236 08 OL8	Chalk	-BG			
	(9)	991 522 235 09	Lumbar support	left	1	PR:685,936, 998
		Back seat backrest				
991 522 235 09 8C0		Espresso	-NE			
991 522 235 09 9EF		Cognac	-BY			
991 522 236 09		Lumbar support	right	1	PR:685,936, 998	
		Back seat backrest				
991 522 236 09 8C0		Espresso	-NE			
991 522 236 09 9EF		Cognac	-BY			
10		991 522 431 00	Plain bearing		1	PR:685
		Back seat backrest				
11	991 522 433 00	Plain bearing		1	PR:685	
	Back seat backrest					
12	991 522 353 00	Cover		1	PR:685	
		Bracket				
		Back seat backrest				
	991 522 353 00 1E0	Black				

Model: 991T13

Model life 2014>>



Model: 991T13

Model life 2014>>

Pos	Part Number	Description	Remark	Qty	Model
		Emergency seat backrest Accessories			Cabrio
1	991 522 011 03	Emergency seat backrest Discontinued part	left	1	PR:685,936
	991 522 011 03 8YR	Black	-AZ		
	991 522 011 03 7A0	Platinum Grey	-CZ, BR		
	991 522 011 03 9H6	Luxor beige	-UZ, BL		
	991 522 011 03 6U7	Black/yachting blue	-EZ		
	991 522 011 03 PL1	Black/agate grey	-DK		
	991 522 011 03 PQ4	Black/pebble grey	-BV		
	991 522 011 03 DE1	Umber			
	991 522 011 03 GSA	Black/Carrera Red	-BQ		
1	991 522 011 18	Emergency seat backrest	left	1	PR:685,936
	991 522 011 18 8YR	Black	-AZ		
	991 522 011 18 7A0	Platinum Grey	-CZ, BR		
	991 522 011 18 9H6	Luxor beige	-UZ, BL		
	991 522 011 18 6U7	yachting blue	-EZ		
	991 522 011 18 PL1	agate grey	-DK		
	991 522 011 18 PQ4	flint grey	-BV		
	991 522 011 18 DE1	Umber			
	991 522 011 18 GSA	Black/Carrera Red	-BQ		
(1)	991 522 012 03	Emergency seat backrest Discontinued part	right	1	PR:685,936
	991 522 012 03 8YR	Black	-AZ		
	991 522 012 03 7A0	Platinum Grey	-CZ, BR		
	991 522 012 03 9H6	Luxor beige	-UZ, BL		
	991 522 012 03 6U7	Black/yachting blue	-EZ		
	991 522 012 03 PL1	Black/agate grey	-DK		
	991 522 012 03 PQ4	Black/pebble grey	-BV		
	991 522 012 03 DE1	Black/umbra			
	991 522 012 03 GSA	Black/Carrera Red	-BQ		
(1)	991 522 012 18	Emergency seat backrest	right	1	PR:685,936
	991 522 012 18 8YR	Black	-AZ		
	991 522 012 18 7A0	Platinum Grey	-CZ, BR		
	991 522 012 18 9H6	Luxor beige	-UZ, BL		
	991 522 012 18 6U7	yachting blue	-EZ		
	991 522 012 18 PL1	agate grey	-DK		
	991 522 012 18 PQ4	flint grey	-BV		
	991 522 012 18 DE1	Umber			
	991 522 012 18 GSA	Black/Carrera Red	-BQ		
(1)	991 522 011 05	Emergency seat backrest Discontinued part	left	1	PR:685,936, 998
	991 522 011 05 8C0	Espresso	-NE		
	991 522 011 05 N11	Espresso/Carrera red	-NG		
	991 522 011 05 9EF	Cognac	-BH		
(1)	991 522 011 20	Emergency seat backrest	left	1	PR:685,936, 998
	991 522 011 20 8C0	Espresso	-NE		
	991 522 011 20 N11	Carrera Red	-NG		
	991 522 011 20 9EF	Cognac	-BH		
(1)	991 522 012 05	Emergency seat backrest Discontinued part	right	1	PR:685,936, 998
	991 522 012 05 8C0	Espresso	-NE		
	991 522 012 05 N11	Carrera Red	-NG		
	991 522 012 05 9EF	Cognac	-BH		
(1)	991 522 012 20	Emergency seat backrest	right	1	PR:685,936, 998
	991 522 012 20 8C0	Espresso	-NE		
	991 522 012 20 N11	Carrera Red	-NG		
	991 522 012 20 9EF	Cognac	-BH		
2	991 522 491 00	Pin Locking mechanism backrest	left a. right	1	PR:685

Model: 991T13 Model life 2014>>

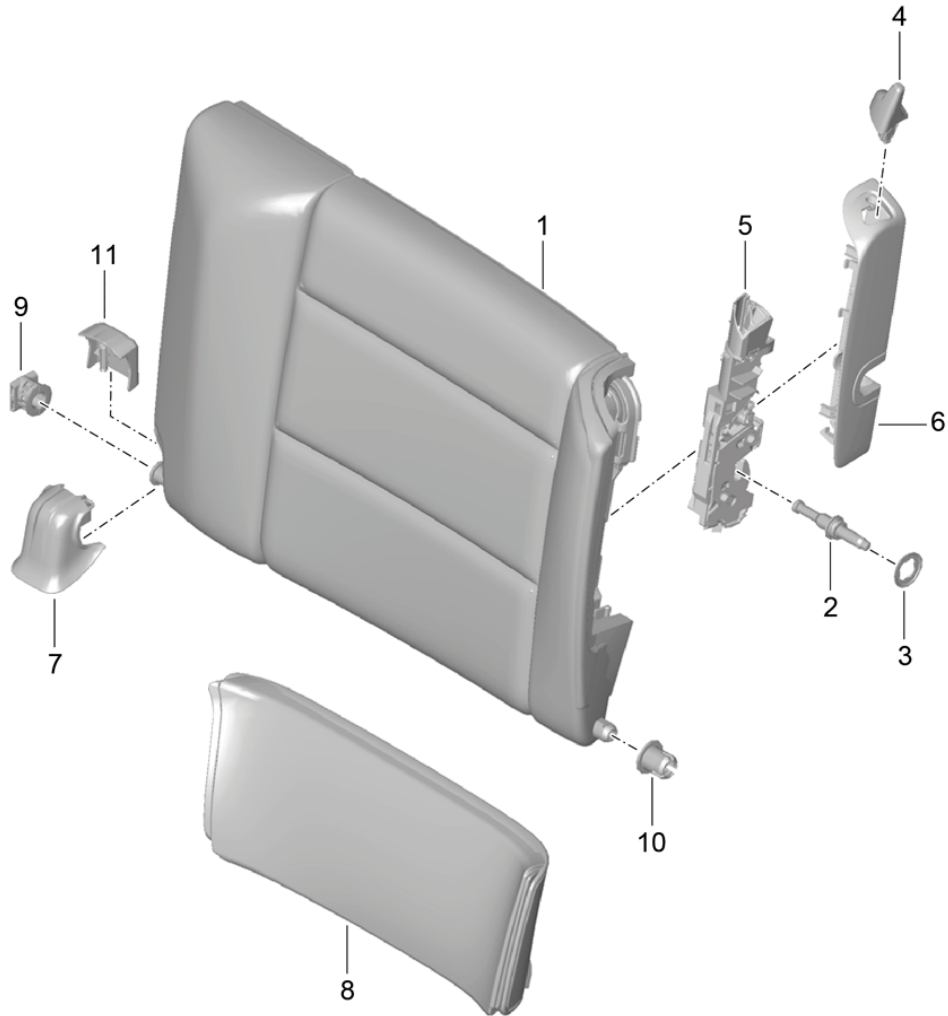
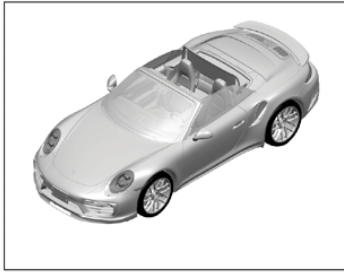
Pos	Part Number	Description	Remark	Qty	Model
3	991 522 341 00	Cover Pin Locking mechanism backrest	left a. right	1	PR:685
4	991 522 341 00 1E0	Black			
4	991 522 321 01	Actuating lever lever for folding backrest	left	1	PR:685
	991 522 321 01 1E0	Black			
(4)	991 522 322 01	Actuating lever lever for folding backrest	right	1	PR:685
	991 522 322 01 1E0	Black			
5	991 522 391 00	lock	left	1	PR:685
		Backrest frame			
(5)	991 522 392 00	lock	right	1	PR:685
		Backrest frame			
6	991 522 345 00	Cover panel lock	left	1	PR:685
	991 522 345 00 1E0	Black			
(6)	991 522 346 00	Cover panel lock	right	1	PR:685
	991 522 346 00 1E0	Black			
7	991 522 343 00	Cover Bracket backrest	center	1	PR:685
	991 522 343 00 1E0	Black			
8	991 522 235 01	Lumbar support Back seat backrest Discontinued part	left	1	PR:685,936
	991 522 235 01 8YR	Black	-AZ		
	991 522 235 01 7A0	Platinum Grey	-CZ, BR		
	991 522 235 01 9H6	Luxor beige	-UZ, BL		
	991 522 235 01 6U7	Black/yachting blue	-EZ		
	991 522 235 01 PL1	Black/agate grey	-DK		
	991 522 235 01 PQ4	Black/pebble grey	-BV		
	991 522 235 01 DE1	Umber			
	991 522 235 01 N11	Carrera Red	-BA, BQ		
8	991 522 235 08	Lumbar support Back seat backrest	left	1	PR:685,936
	991 522 235 08 8YR	Black	-AZ		
	991 522 235 08 7A0	Platinum Grey	-CZ, BR		
	991 522 235 08 9H6	Luxor beige	-UZ, BL		
	991 522 235 08 6U7	Black/yachting blue	-EZ		
	991 522 235 08 PL1	Black/agate grey	-DK		
	991 522 235 08 PQ4	Black/pebble grey	-BV		
	991 522 235 08 DE1	Black/umbra			
	991 522 235 08 N11	Carrera Red/Carrera Red	-BA, BQ		
(8)	991 522 236 01	Lumbar support Back seat backrest Discontinued part	right	1	PR:685,936
	991 522 236 01 8YR	Black	-AZ		
	991 522 236 01 7A0	Platinum Grey	-CZ, BR		
	991 522 236 01 9H6	Luxor beige	-UZ, BL		
	991 522 236 01 6U7	yachting blue	-EZ		
	991 522 236 01 PL1	agate grey	-DK		
	991 522 236 01 PQ4	flint grey	-BV		
	991 522 236 01 DE1	Umber			
	991 522 236 01 N11	Carrera Red	-BA, BQ		
(8)	991 522 236 08	Lumbar support Back seat backrest	right	1	PR:685,936
	991 522 236 08 8YR	Black	-AZ		
	991 522 236 08 7A0	Platinum Grey	-CZ, BR		
	991 522 236 08 9H6	Luxor beige	-UZ, BL		
	991 522 236 08 6U7	yachting blue	-EZ		

Model: 991T13 Model life 2014>>

Pos	Part Number	Description	Remark	Qty	Model
	991 522 236 08 PL1	agate grey	-DK		
	991 522 236 08 PQ4	flint grey	-BV		
	991 522 236 08 DE1	Umber			
	991 522 236 08 N11	Carrera Red/Carrera Red	-BA,BQ		
(8)	991 522 235 02	Lumbar support	left	1	PR:685,936,998
		Back seat backrest			
		Discontinued part			
	991 522 235 02 8C0	Espresso	-NE		
	991 522 235 02 N11	Carrera Red	-NG		
	991 522 235 02 9EF	Cognac	-BH		
(8)	991 522 235 09	Lumbar support	left	1	PR:685,936,998
		Back seat backrest			
	991 522 235 09 8C0	Espresso	-NE		
	991 522 235 09 N11	Carrera Red	-NG		
	991 522 235 09 9EF	Cognac	-BH		
(8)	991 522 236 02	Lumbar support	right	1	PR:685,936,998
		Back seat backrest			
		Discontinued part			
	991 522 236 02 8C0	Espresso	-NE		
	991 522 236 02 N11	Carrera Red	-NG		
	991 522 236 02 9EF	Cognac	-BH		
(8)	991 522 236 09	Lumbar support	right	1	PR:685,936,998
		Back seat backrest			
	991 522 236 09 8C0	Espresso	-NE		
	991 522 236 09 N11	Carrera Red	-NG		
	991 522 236 09 9EF	Cognac	-BH		
9	991 522 431 00	Plain bearing		1	PR:685
		Back seat backrest			
10	991 522 433 00	Plain bearing		1	PR:685
		Back seat backrest			
11	991 522 353 00	Cover		1	PR:685
		Bracket			
		Back seat backrest			
	991 522 353 00 1E0	Black			

Model: 991T13

Model life 2014>>



Model: 991T13

Model life 2014>>

Pos	Part Number	Description	Remark	Qty	Model
		Emergency seat backrest Accessories D - MJ 2017>>			Cabrio
1	991 522 011 18	Emergency seat backrest	left	1	PR:685,936, -998
	991 522 011 18 8YR	Black	-AZ		
	991 522 011 18 PL1	agate grey	-FZ		
	991 522 011 18 OH7	Graphite Blue	-HZ		
	991 522 011 18 OK6	saddle brown	-SZ		
	991 522 011 18 9H6	Luxor beige	-UZ		
	991 522 011 18 OG6	Bordeaux red	-LZ		
	991 522 011 18 GFK	Black/Luxor Beige	-BT		
	991 522 011 18 GUK	Black/Bordeaux Red	-BM		
	991 522 011 18 GTK	Graphite Blue/Chalk	-BG		
(1)	991 522 012 18	Emergency seat backrest	right	1	PR:685,936, -998
	991 522 012 18 8YR	Black	-AZ		
	991 522 012 18 PL1	agate grey	-FZ		
	991 522 012 18 OH7	Graphite Blue	-HZ		
	991 522 012 18 OK6	saddle brown	-SZ		
	991 522 012 18 9H6	Luxor beige	-UZ		
	991 522 012 18 OG6	Bordeaux red	-LZ		
	991 522 012 18 GFK	Black/Luxor Beige	-BT		
	991 522 012 18 GUK	Black/Bordeaux Red	-BM		
	991 522 012 18 GTK	Graphite Blue/Chalk	-BG		
(1)	991 522 011 20	Emergency seat backrest	left	1	PR:685,936, 998
	991 522 011 20 8C0	Espresso	-NE		
	991 522 011 20 GRK	Espresso/Cognac	-BY		
(1)	991 522 012 20	Emergency seat backrest	right	1	PR:685,936, 998
	991 522 012 20 8C0	Espresso	-NE		
	991 522 012 20 GRK	Espresso/Cognac	-BY		
2	991 522 491 00	Pin Locking mechanism backrest	left a. right	1	PR:685
3	991 522 341 00	Cover Pin Locking mechanism backrest	left a. right	1	PR:685
4	991 522 341 00 1E0	Black			
	991 522 321 01	Actuating lever lever for folding backrest	left	1	PR:685
	991 522 321 01 1E0	Black			
(4)	991 522 322 01	Actuating lever lever for folding backrest	right	1	PR:685
	991 522 322 01 1E0	Black			
5	991 522 391 00	lock Backrest frame	left	1	PR:685
(5)	991 522 392 00	lock Backrest frame	right	1	PR:685
6	991 522 345 00	Cover panel lock	left	1	PR:685
	991 522 345 00 1E0	Black			
(6)	991 522 346 00	Cover panel lock	right	1	PR:685
	991 522 346 00 1E0	Black			
7	991 522 343 00	Cover Bracket backrest	center	1	PR:685
	991 522 343 00 1E0	Black			
8	991 522 235 08	Lumbar support Back seat backrest	left	1	PR:685,936, -998



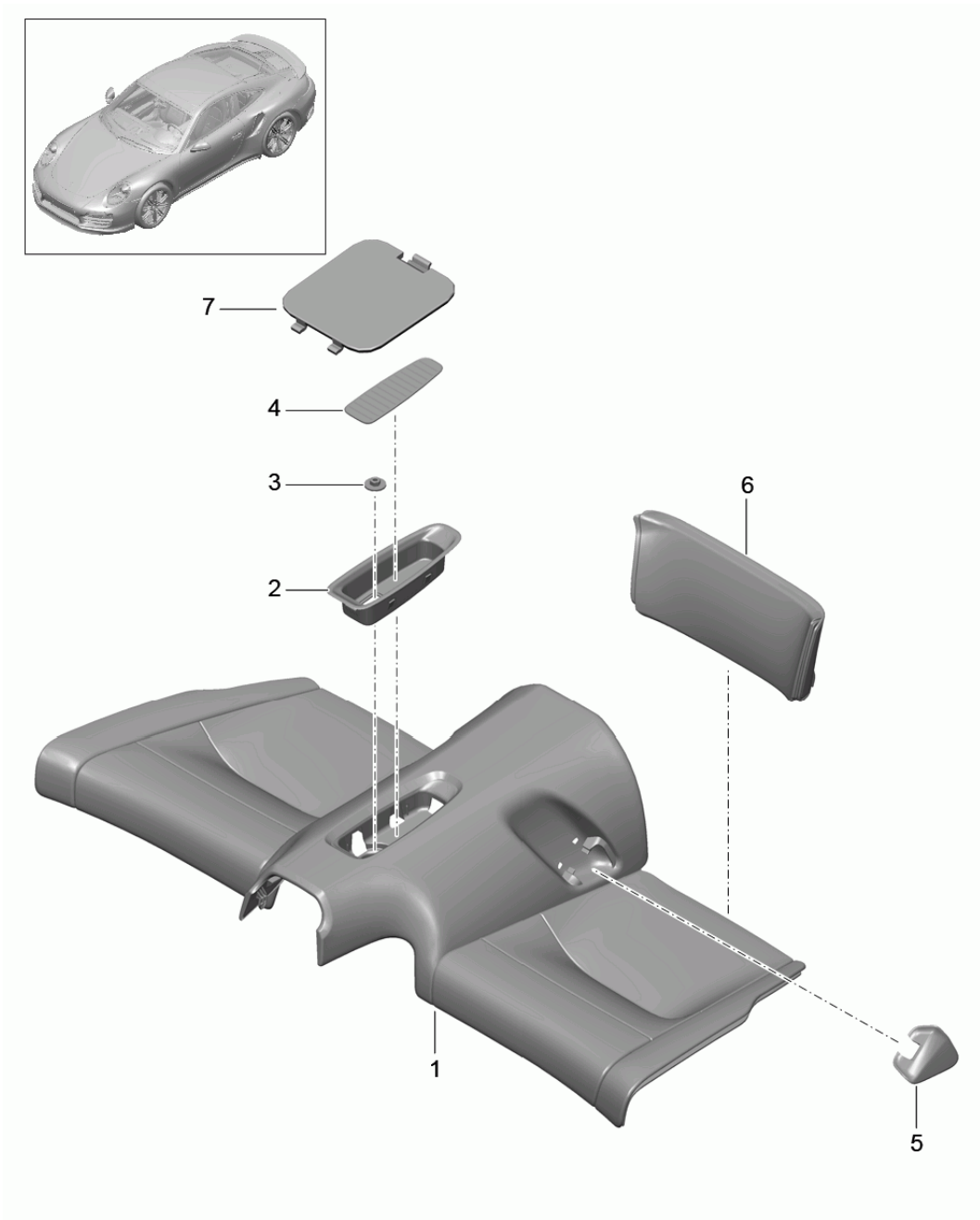
Model: 991T13

Model life 2014>>

Pos	Part Number	Description	Remark	Qty	Model
	991 522 235 08 8YR	Black	-AZ		
	991 522 235 08 PL1	Black/agate grey	-FZ		
	991 522 235 08 OH7	Graphite Blue	-HZ		
	991 522 235 08 OK6	saddle brown	-SZ		
	991 522 235 08 9H6	Luxor beige	-UZ,BT		
	991 522 235 08 OG6	Bordeaux red	-LZ,BM		
	991 522 235 08 OL8	Chalk	-BG		
(8)	991 522 236 08	Lumbar support Back seat backrest	right	1	PR:685,936, -998
	991 522 236 08 8YR	Black	-AZ		
	991 522 236 08 PL1	agate grey	-FZ		
	991 522 236 08 OH7	Graphite Blue	-HZ		
	991 522 236 08 OK6	saddle brown	-SZ		
	991 522 236 08 9H6	Luxor beige	-UZ,BT		
	991 522 236 08 OG6	Bordeaux red	-LZ,BM		
	991 522 236 08 OL8	Chalk	-BG		
(8)	991 522 235 09	Lumbar support Back seat backrest	left	1	PR:685,936, 998
	991 522 235 09 8C0	Espresso	-NE		
	991 522 235 09 9EF	Cognac	-BY		
(8)	991 522 236 09	Lumbar support Back seat backrest	right	1	PR:685,936, 998
	991 522 236 09 8C0	Espresso	-NE		
	991 522 236 09 9EF	Cognac	-BY		
9	991 522 431 00	Plain bearing Back seat backrest		1	PR:685
10	991 522 433 00	Plain bearing Back seat backrest		1	PR:685
11	991 522 353 00	Cover Bracket Back seat backrest		1	PR:685
	991 522 353 00 1E0	Black			

Model: 991T13

Model life 2014>>



Model: 991T13 Model life 2014>>

Pos	Part Number	Description	Remark	Qty	Model
1	991 522 051 01	Cover trim - rear seat Seat cushion	rear	1	COUPE PR:685,936
		Discontinued part			
	991 522 051 01 8YR	Black	-AZ		
	991 522 051 01 7A0	Platinum Grey	-CZ, BR		
	991 522 051 01 9H6	Luxor beige	-UZ, BL		
	991 522 051 01 6U7	yachting blue	-EZ		
	991 522 051 01 PL1	agate grey	-DK		
	991 522 051 01 PQ4	flint grey	-BV		
	991 522 051 01 DE1	Umber	-RK		
	991 522 051 01 N11	Carrera Red	-BQ		
1	991 522 051 15	Seat cushion	rear	1	COUPE PR:685,936
	991 522 051 15 8YR	Black	-AZ		
	991 522 051 15 7A0	Platinum Grey	-CZ, BR		
	991 522 051 15 9H6	Luxor beige	-UZ, BL		
	991 522 051 15 6U7	yachting blue	-EZ		
	991 522 051 15 PL1	agate grey	-DK		
	991 522 051 15 PQ4	flint grey	-BV		
	991 522 051 15 DE1	Umber			
	991 522 051 15 N11	Carrera Red	-BA, BQ		
(1)	991 522 051 02	Seat cushion	rear	1	COUPE PR:685,936, 998
		Discontinued part			
	991 522 051 02 8C0	Espresso	-NE		
	991 522 051 02 N11	Carrera Red	-NG		
	991 522 051 02 9EF	Cognac	-BH		
(1)	991 522 051 16	Seat cushion	rear	1	COUPE PR:685,936, 998
	991 522 051 16 8C0	Espresso	-NE		
	991 522 051 16 N11	Carrera Red	-NG		
	991 522 051 16 9EF	Cognac	-BH		
(1)	991 522 982 00	Seat cushion	rear	1	COUPE PR:XHS,685, 936,981
	991 522 982 00 8YR	Black	-AZ		
	991 522 982 00 7A0	Platinum Grey	-CZ, BR		
	991 522 982 00 9H6	Luxor beige	-UZ, BL		
	991 522 982 00 6U7	yachting blue	-EZ		
	991 522 982 00 PL1	agate grey	-DK		
	991 522 982 00 PQ4	flint grey	-BV		
	991 522 982 00 DE1	Umber			
	991 522 982 00 N11	Carrera Red	-BQ		
(1)	991 522 982 02	Seat cushion	rear	1	COUPE PR:XHS,685, 936,998
	991 522 982 02 8C0	Espresso	-NE		
	991 522 982 02 N11	Carrera Red	-NG		
	991 522 982 02 9EF	Cognac	-BH		
(1)	991 551 055 85	Cover trim - rear seat	rear	1	PR-703
	991 551 055 85 RAP	Black/Guards Red	-43,63,68		
	991 551 055 85 RAO	Black/Platinum Grey	-78		
(1)	991 551 055 86	Cover trim - rear seat	rear	1	PR-003
	991 551 055 86 RAP	Black/Guards Red	-43,63,68		
	991 551 055 86 RAO	Black/Platinum Grey	-78		
2	991 522 347 00	Stowage compartment		1	COUPE PR:685
		D >> - MJ 2015			
	991 522 347 00 1E0	Black			

Model: 991T13 Model life 2014>>

Pos	Part Number	Description	Remark	Qty	Model
	991 522 347 00 6L0	Platinum Grey			
	991 522 347 00 4H0	Luxor beige			
	991 522 347 00 2F0	yachting blue			
	991 522 347 00 OP1	agate grey			
	991 522 347 00 OV4	flint grey			
	991 522 347 00 7N0	Espresso			
	991 522 347 00 OW5	Carrera Red			
	991 522 347 00 DE1	Umber			
	991 522 347 00 8P0	Cognac			
2	991 522 347 01	Stowage compartment D - MJ 2016>>		1	COUPE PR:685
	991 522 347 01 1E0	Black			
3	999 076 092 01	Hexagon nut M 8		1	COUPE
4	991 522 349 00	Insert Stowage compartment		1	COUPE PR:685
5	991 522 419 00	Trim	left	1	COUPE PR:685
	991 522 419 00 1E0	Black			
(5)	991 522 420 00	Trim	right	1	COUPE PR:685
	991 522 420 00 1E0	Black			
6	991 522 235 01	Lumbar support Discontinued part	left	1	COUPE PR:635,936
	991 522 235 01 8YR	Black	-AZ		
	991 522 235 01 7A0	Platinum Grey	-CZ, BR		
	991 522 235 01 9H6	Luxor beige	-UZ, BL		
	991 522 235 01 6U7	Black/yachting blue	-EZ		
	991 522 235 01 PL1	Black/agate grey	-DK		
	991 522 235 01 PQ4	Black/pebble grey	-BV		
	991 522 235 01 DE1	Umber			
	991 522 235 01 N11	Carrera Red	-BA, BQ		
6	991 522 235 08	Lumbar support	left	1	COUPE PR:635,936
	991 522 235 08 8YR	Black	-AZ		
	991 522 235 08 7A0	Platinum Grey	-CZ, BR		
	991 522 235 08 9H6	Luxor beige	-UZ, BL		
	991 522 235 08 6U7	Black/yachting blue	-EZ		
	991 522 235 08 PL1	Black/agate grey	-DK		
	991 522 235 08 PQ4	Black/pebble grey	-BV		
	991 522 235 08 DE1	Black/umbra			
	991 522 235 08 N11	Carrera Red/Carrera Red	-BA, BQ		
(6)	991 522 236 01	Lumbar support Discontinued part	right	1	COUPE PR:635,936
	991 522 236 01 8YR	Black	-AZ		
	991 522 236 01 7A0	Platinum Grey	-CZ, BR		
	991 522 236 01 9H6	Luxor beige	-UZ, BL		
	991 522 236 01 6U7	yachting blue	-EZ		
	991 522 236 01 PL1	agate grey	-DK		
	991 522 236 01 PQ4	flint grey	-BV		
	991 522 236 01 DE1	Umber			
	991 522 236 01 N11	Carrera Red	-BA, BQ		
(6)	991 522 236 08	Lumbar support	right	1	COUPE PR:635,936
	991 522 236 08 8YR	Black	-AZ		
	991 522 236 08 7A0	Platinum Grey	-CZ, BR		
	991 522 236 08 9H6	Luxor beige	-UZ, BL		
	991 522 236 08 6U7	yachting blue	-EZ		
	991 522 236 08 PL1	agate grey	-DK		
	991 522 236 08 PQ4	flint grey	-BV		
	991 522 236 08 DE1	Umber			
	991 522 236 08 N11	Carrera Red/Carrera Red	-BA, BQ		
	991 522 236 08 8YR	Black	-AZ		
	991 522 236 08 7A0	Platinum Grey	-CZ, BR		
	991 522 236 08 9H6	Luxor beige	-UZ, BL		
	991 522 236 08 6U7	yachting blue	-EZ		
	991 522 236 08 PL1	agate grey	-DK		
	991 522 236 08 PQ4	flint grey	-BV		
	991 522 236 08 DE1	Umber			
	991 522 236 08 N11	Carrera Red/Carrera Red	-BA, BQ		

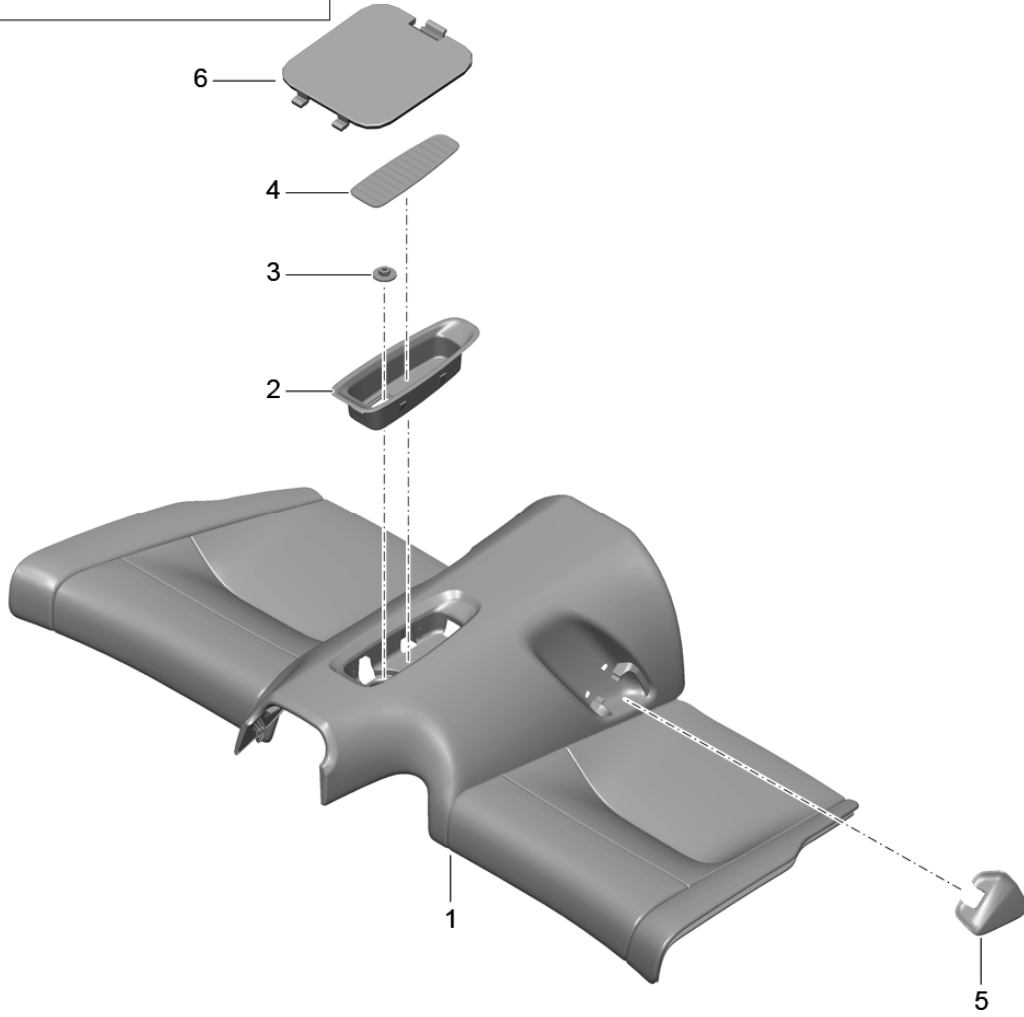
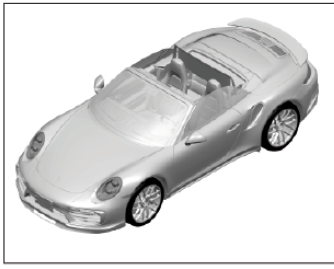
Model: 991T13

Model life 2014>>

Pos	Part Number	Description	Remark	Qty	Model
(6)	991 522 235 02	Lumbar support Discontinued part	left	1	COUPE PR:635,936, 998
	991 522 235 02 8C0	Espresso	-NE		
	991 522 235 02 N11	Carrera Red	-NG		
	991 522 235 02 9EF	Cognac	-BH		
(6)	991 522 235 09	Lumbar support	left	1	COUPE PR:635,936, 998
	991 522 235 09 8C0	Espresso	-NE		
	991 522 235 09 N11	Carrera Red	-NG		
	991 522 235 09 9EF	Cognac	-BH		
(6)	991 522 236 02	Lumbar support Discontinued part	right	1	COUPE PR:635,936, 998
	991 522 236 02 8C0	Espresso	-NE		
	991 522 236 02 N11	Carrera Red	-NG		
	991 522 236 02 9EF	Cognac	-BH		
(6)	991 522 236 09	Lumbar support	right	1	COUPE PR:635,936, 998
	991 522 236 09 8C0	Espresso	-NE		
	991 522 236 09 N11	Carrera Red	-NG		
	991 522 236 09 9EF	Cognac	-BH		
7	991 522 357 00	Cover Stowage compartment		1	PR:685
	991 522 357 00 1E0	Black			
	991 522 357 00 6L0	Platinum Grey			
	991 522 357 00 4H0	Luxor beige			
	991 522 357 00 2F0	yachting blue			
	991 522 357 00 OP1	agate grey			
	991 522 357 00 OV4	flint grey			
	991 522 357 00 7N0	Espresso			
	991 522 357 00 OW5	Carrera Red			
	991 522 357 00 DE1	Umber			
	991 522 357 00 8P0	Cognac			
(7)	991 522 357 01	Cover Stowage compartment		1	PR:685
			Painted		
		D - MJ 2015>>			
	991 522 357 01 1E0	Black			

Model: 991T13

Model life 2014>>



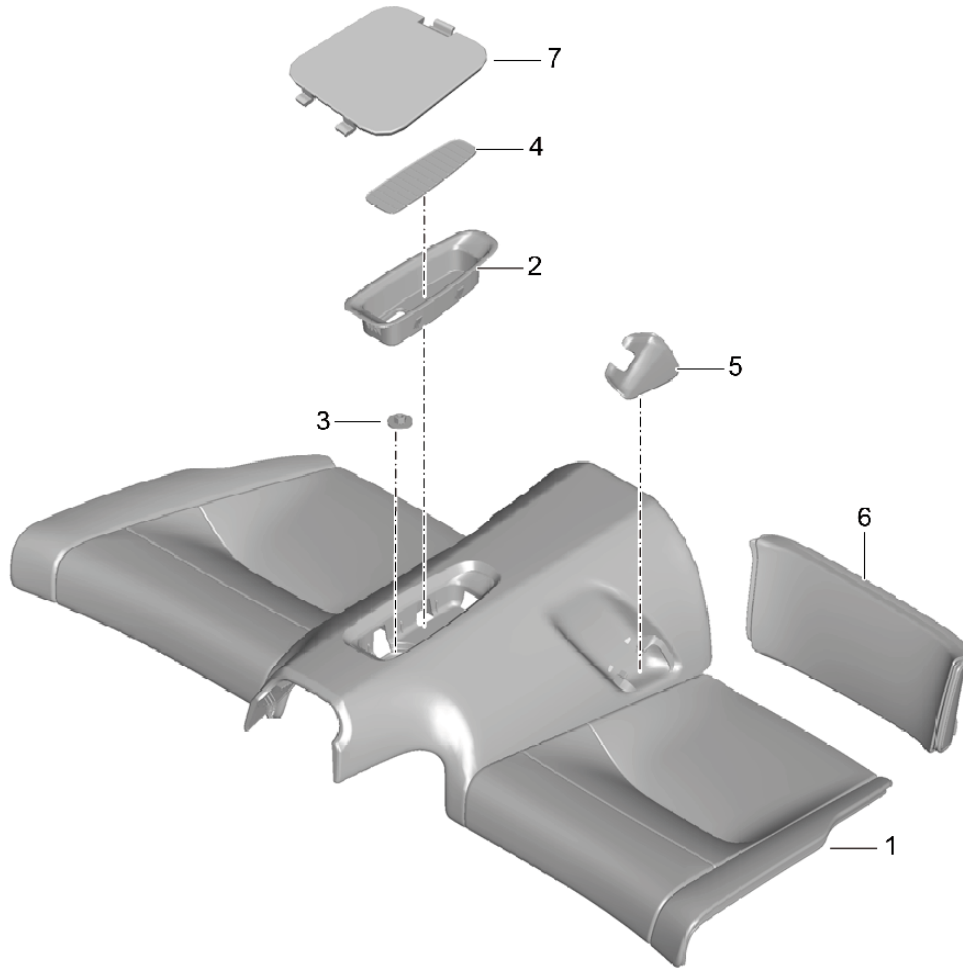
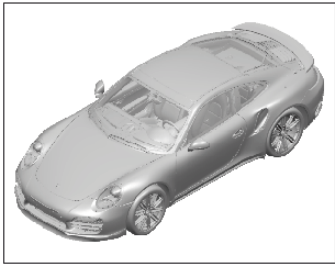
Model: 991T13

Model life 2014>>

Pos	Part Number	Description	Remark	Qty	Model
		Back seat cushion Mount D - MJ 2017>>			COUPE/CABRIO
1	991 522 051 15	Seat cushion	rear	1	PR:685,936, -XHS,-998
	991 522 051 15 8YR	Black	-AZ		
	991 522 051 15 PL1	agate grey	-FZ		
	991 522 051 15 OH7	Graphite Blue	-HZ		
	991 522 051 15 OK6	saddle brown	-SZ		
	991 522 051 15 9H6	Luxor beige	-UZ,BT		
	991 522 051 15 OG6	Bordeaux red	-LZ,BM		
	991 522 051 15 OL8	Chalk	-BG		
(1)	991 522 051 16	Seat cushion	rear	1	PR:685,936, 998,-XHS
	991 522 051 16 8C0	Espresso	-NE		
	991 522 051 16 9EF	Cognac	-BY		
(1)	991 522 982 04	Seat cushion	rear	1	PR:XHS,685, 936,981,-998
	991 522 982 04 8YR	Black	-AZ		
	991 522 982 04 PL1	agate grey	-FZ		
	991 522 982 04 OH7	Graphite Blue	-HZ		
	991 522 982 04 OK6	saddle brown	-SZ		
	991 522 982 04 9H6	Luxor beige	-UZ,BT		
	991 522 982 04 OG6	Bordeaux red	-LZ,BM		
	991 522 982 04 OL8	Chalk	-BG		
(1)	991 522 982 05	Seat cushion	rear	1	PR:XHS,685, 936,981,998
	991 522 982 05 8C0	Espresso	-NE		
	991 522 982 05 9EF	Cognac	-BY		
2	991 522 347 01	Stowage compartment		1	PR:685
	991 522 347 01 5Q0	Black			
3	999 076 092 01	Hexagon nut M 8		1	
4	991 522 349 00	Insert Stowage compartment		1	PR:685
5	991 522 419 00	Trim Belt latch	left	1	PR:685
	991 522 419 00 1E0	Black			
(5)	991 522 420 00	Trim Belt latch	right	1	PR:685
	991 522 420 00 1E0	Black			
6	991 522 357 01	Cover Stowage compartment		1	PR:685
	991 522 357 01 1E0	Black	painted		

Model: 991T13

Model life 2014>>





Model: 991T13

Model life 2014>>

Pos	Part Number	Description	Remark	Qty	Model
(1)	991 522 051 01	Back seat cushion Mount Seat cushion	rear	1	CABRIO PR:685,936
		Discontinued part			
	991 522 051 01 8YR	Black	-AZ		
	991 522 051 01 7A0	Platinum Grey	-CZ, BR		
	991 522 051 01 9H6	Luxor beige	-UZ, BL		
	991 522 051 01 6U7	yachting blue	-EZ		
	991 522 051 01 PL1	agate grey	-DK		
	991 522 051 01 PQ4	flint grey	-BV		
	991 522 051 01 DE1	Umber			
	991 522 051 01 N11	Carrera Red	-BQ		
(1)	991 522 051 15	Seat cushion	rear	1	CABRIO PR:685,936
	991 522 051 15 8YR	Black	-AZ		
	991 522 051 15 7A0	Platinum Grey	-CZ, BR		
	991 522 051 15 9H6	Luxor beige	-UZ, BL		
	991 522 051 15 6U7	yachting blue	-EZ		
	991 522 051 15 PL1	agate grey	-DK		
	991 522 051 15 PQ4	flint grey	-BV		
	991 522 051 15 DE1	Umber			
	991 522 051 15 N11	Carrera Red	-BA, BQ		
(1)	991 522 051 02	Seat cushion	rear	1	CABRIO PR:685,936, 998
		Discontinued part			
	991 522 051 02 8C0	Espresso	-NE		
	991 522 051 02 N11	Carrera Red	-NG		
	991 522 051 02 9EF	Cognac	-BH		
(1)	991 522 051 16	Seat cushion	rear	1	CABRIO PR:685,936, 998
	991 522 051 16 8C0	Espresso	-NE		
	991 522 051 16 N11	Carrera Red	-NG		
	991 522 051 16 9EF	Cognac	-BH		
(1)	991 522 982 00	Seat cushion	rear	1	CABRIO PR:XHS,685, 936,981
	991 522 982 00 8YR	Black	-AZ		
	991 522 982 00 7A0	Platinum Grey	-CZ, BR		
	991 522 982 00 9H6	Luxor beige	-UZ, BL		
	991 522 982 00 6U7	yachting blue	-EZ		
	991 522 982 00 PL1	agate grey	-DK		
	991 522 982 00 PQ4	flint grey	-BV		
	991 522 982 00 DE1	Umber			
	991 522 982 00 N11	Carrera Red	-BQ		
(1)	991 522 982 02	Seat cushion	rear	1	CABRIO PR:XHS,685, 936,981
	991 522 982 02 8C0	Espresso	-NE		
	991 522 982 02 N11	Carrera Red	-NG		
	991 522 982 02 9EF	Cognac	-BH		
2	991 522 347 00	Stowage compartment D >> - MJ 2015		1	CABRIO PR:685
	991 522 347 00 1E0	Black			
	991 522 347 00 6L0	Platinum Grey			
	991 522 347 00 4H0	Luxor beige			
	991 522 347 00 2F0	yachting blue			
	991 522 347 00 OP1	agate grey			
	991 522 347 00 OV4	flint grey			
	991 522 347 00 7N0	Espresso			
	991 522 347 00 OW5	Carrera Red			
	991 522 347 00 DE1	Umber			

Model: 991T13 Model life 2014>>

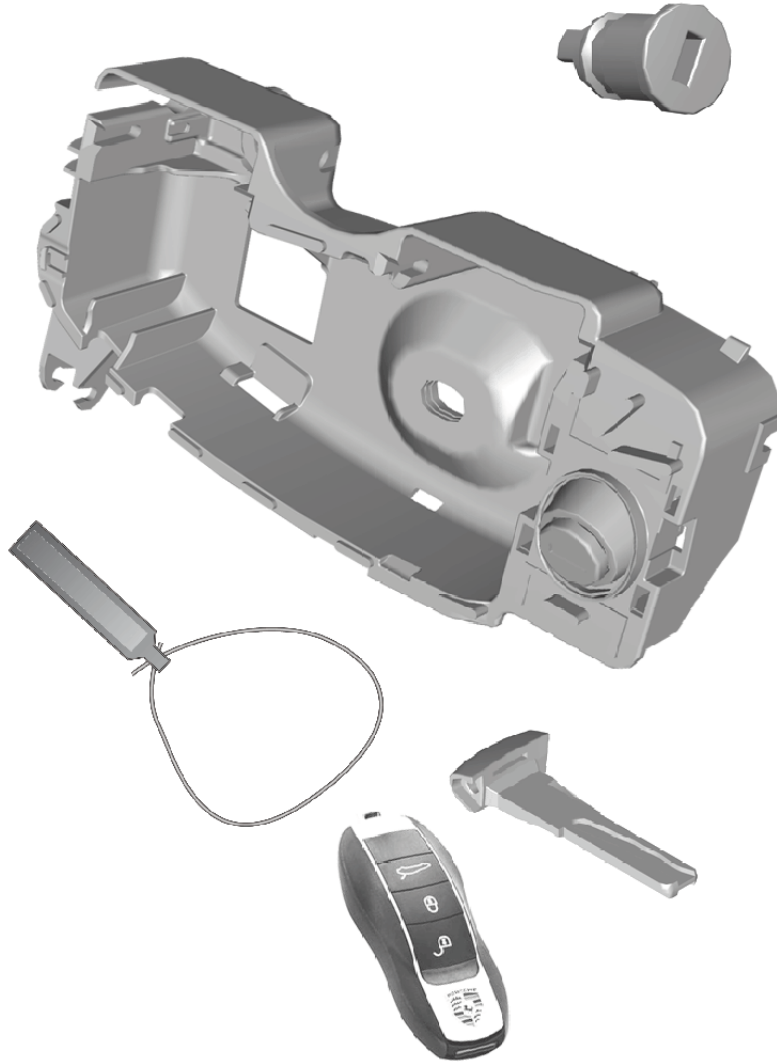
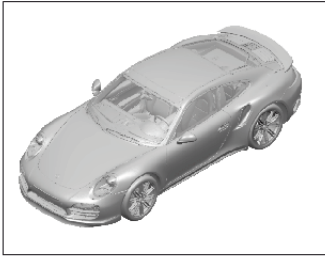
Pos	Part Number	Description	Remark	Qty	Model
2	991 522 347 00 8P0	Cognac			
	991 522 347 01	Stowage compartment D - MJ 2016>>		1	CABRIO PR:685
(2)	991 522 347 01 1E0	Black			
	991 522 347 01	Stowage compartment D - MJ 2015>>		1	CABRIO PR:685
3	991 522 347 01 5Q0	Black			
	999 076 092 01	Hexagon nut M 8		1	CABRIO
4	991 522 349 00	Insert Stowage compartment		1	CABRIO PR:685
5	991 522 419 00	Trim Belt latch	left	1	CABRIO PR:685
	991 522 419 00 1E0	Black			
(5)	991 522 420 00	Trim Belt latch	right	1	CABRIO PR:685
	991 522 420 00 1E0	Black			
6	991 522 235 01	Lumbar support Discontinued part	left	1	CABRIO PR:635,936
	991 522 235 01 8YR	Black	-AZ		
	991 522 235 01 7A0	Platinum Grey	-CZ, BR		
	991 522 235 01 9H6	Luxor beige	-UZ, BL		
	991 522 235 01 6U7	Black/yachting blue	-EZ		
	991 522 235 01 PL1	Black/agate grey	-DK		
	991 522 235 01 PQ4	Black/pebble grey	-BV		
	991 522 235 01 DE1	Umber			
	991 522 235 01 N11	Carrera Red	-BA, BQ		
6	991 522 235 08	Lumbar support	left	1	CABRIO PR:635,936
	991 522 235 08 8YR	Black	-AZ		
	991 522 235 08 7A0	Platinum Grey	-CZ, BR		
	991 522 235 08 9H6	Luxor beige	-UZ, BL		
	991 522 235 08 6U7	Black/yachting blue	-EZ		
	991 522 235 08 PL1	Black/agate grey	-DK		
	991 522 235 08 PQ4	Black/pebble grey	-BV		
	991 522 235 08 DE1	Black/umbra			
	991 522 235 08 N11	Carrera Red/Carrera Red	-BA, BQ		
(6)	991 522 236 01	Lumbar support Discontinued part	right	1	CABRIO PR:635,936
	991 522 236 01 8YR	Black	-AZ		
	991 522 236 01 7A0	Platinum Grey	-CZ, BR		
	991 522 236 01 9H6	Luxor beige	-UZ, BL		
	991 522 236 01 6U7	yachting blue	-EZ		
	991 522 236 01 PL1	agate grey	-DK		
	991 522 236 01 PQ4	flint grey	-BV		
	991 522 236 01 DE1	Umber			
	991 522 236 01 N11	Carrera Red	-BA, BQ		
(6)	991 522 236 08	Lumbar support	right	1	CABRIO PR:635,936
	991 522 236 08 8YR	Black	-AZ		
	991 522 236 08 7A0	Platinum Grey	-CZ, BR		
	991 522 236 08 9H6	Luxor beige	-UZ, BL		
	991 522 236 08 6U7	yachting blue	-EZ		
	991 522 236 08 PL1	agate grey	-DK		
	991 522 236 08 PQ4	flint grey	-BV		
	991 522 236 08 DE1	Umber			
	991 522 236 08 N11	Carrera Red/Carrera Red	-BA, BQ		
(6)	991 522 235 02	Lumbar support Discontinued part	left	1	CABRIO PR:635,936, 998
	991 522 235 02 8C0	Espresso	-NE		
	991 522 235 02 N11	Carrera Red	-NG		
	991 522 235 02 9EF	Cognac	-BH		

Model: 991T13 Model life 2014>>

Pos	Part Number	Description	Remark	Qty	Model
(6)	991 522 235 09	Lumbar support	left	1	CABRIO PR:635,936, 998
	991 522 235 09 8C0	Espresso	-NE		
	991 522 235 09 N11	Carrera Red	-NG		
	991 522 235 09 9EF	Cognac	-BH		
(6)	991 522 236 02	Lumbar support Discontinued part	right	1	CABRIO PR:635,936, 998
	991 522 236 02 8C0	Espresso	-NE		
	991 522 236 02 N11	Carrera Red	-NG		
	991 522 236 02 9EF	Cognac	-BH		
(6)	991 522 236 09	Lumbar support	right	1	CABRIO PR:635,936, 998
	991 522 236 09 8C0	Espresso	-NE		
	991 522 236 09 N11	Carrera Red	-NG		
	991 522 236 09 9EF	Cognac	-BH		
7	991 522 357 00	Cover Stowage compartment		1	PR:685
	991 522 357 00 1E0	Black			
	991 522 357 00 6L0	Platinum Grey			
	991 522 357 00 4H0	Luxor beige			
	991 522 357 00 2F0	yachting blue			
	991 522 357 00 OP1	agate grey			
	991 522 357 00 OV4	flint grey			
	991 522 357 00 7N0	Espresso			
	991 522 357 00 OW5	Carrera Red			
	991 522 357 00 DE1	Umber			
	991 522 357 00 8P0	Cognac			
(7)	991 522 357 01	Cover Stowage compartment		1	PR:685
			Painted		
		D - MJ 2015>>			
	991 522 357 01 1E0	Black			

Model: 991T13

Model life 2014>>



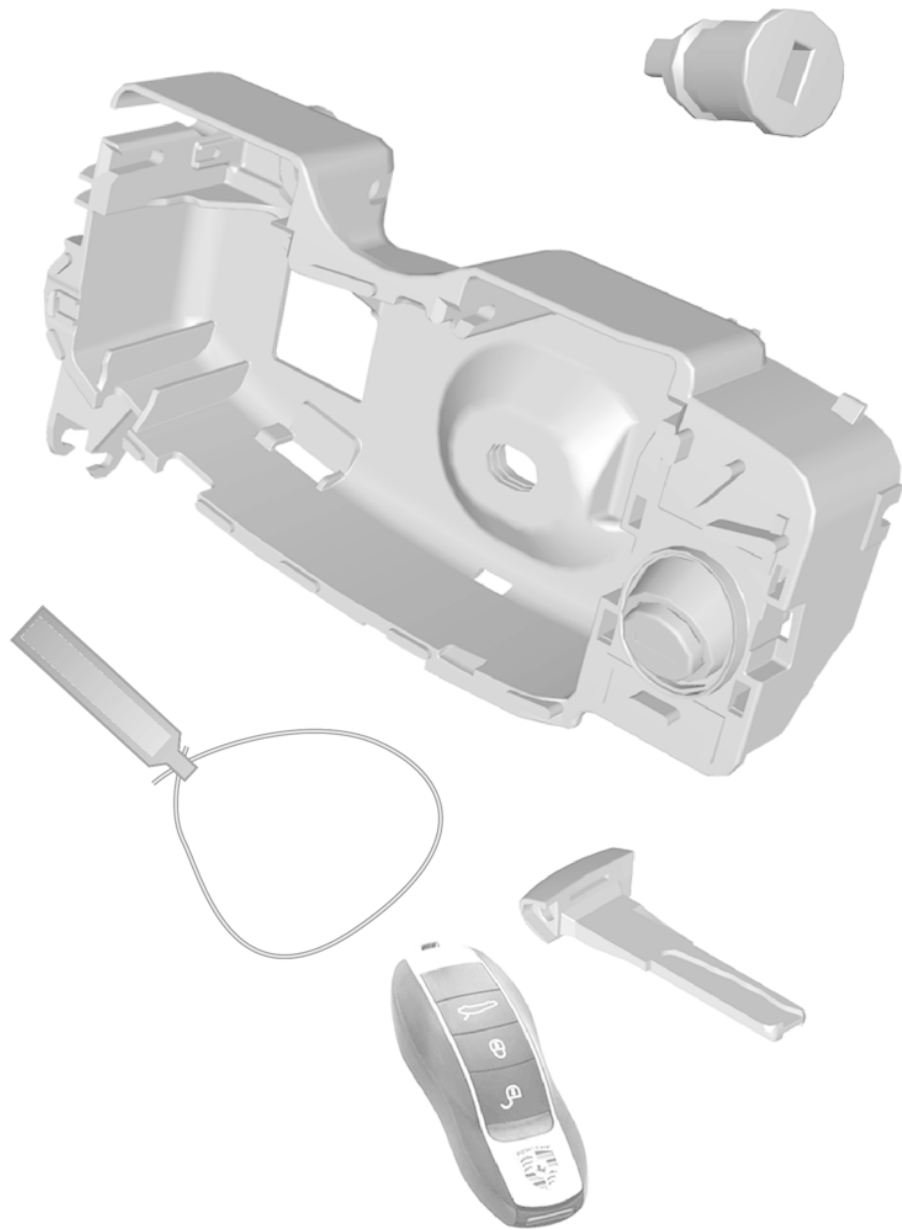
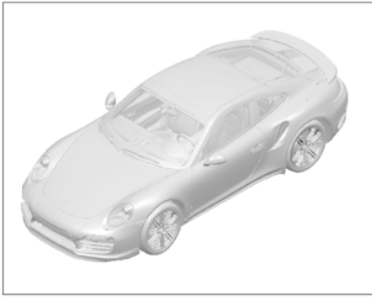
Model: 991T13

Model life 2014>>

Pos	Part Number	Description	Remark	Qty	Model
-		repair set Set of locks D >> - MJ 2016 comprising: Halter Door handle, exterior emergency key Key fob Glove compartment lock Key cover		1 2 1 1 2	
-	991 538 901 31	Set of locks 3 buttons	lhd	1	Coupe/Cabrio PR:524,098
-	991 538 901 32	Set of locks 3 buttons	rhd	1	Coupe/Cabrio PR:524,099
-	991 538 901 33	Set of locks 3 buttons	lhd	1	Coupe/Cabrio PR:523,098
-	991 538 901 34	Set of locks 3 buttons	rhd	1	Coupe/Cabrio PR:523,099
-	991 538 901 35	Set of locks 3 buttons	lhd	1	Coupe/Cabrio PR:072,525, 533,098
-	991 538 901 35	Set of locks 3 buttons	lhd	1	Coupe/Cabrio PR:553,525, 533,098
-	991 538 901 36	Set of locks 3 buttons	rhd	1	Coupe/Cabrio PR:072,525, 099
-	991 538 901 37	Set of locks 3 buttons	lhd	1	Coupe/Cabrio (J) PR:525,533, 098
-	991 538 901 38	Set of locks 3 buttons	rhd	1	"J.." Coupe/Cabrio (J) PR:525,533, 099
-	991 538 901 39	Set of locks 4 buttons	lhd	1	"J.." Cabrio PR:524,098
-	991 538 901 40	Set of locks 4 buttons	rhd	1	Cabrio PR:524,099
-	991 538 901 41	Set of locks 4 buttons	lhd	1	Cabrio PR:523,098
-	991 538 901 42	Set of locks 4 buttons	rhd	1	Cabrio PR:523,099
-	991 538 901 43	Set of locks 4 buttons	lhd	1	Cabrio PR:525,098
-	991 538 901 44	Set of locks 4 buttons	rhd	1	Cabrio PR:525,099

Model: 991T13

Model life 2014>>



Model: 991T13

Model life 2014>>

Pos	Part Number	Description	Remark	Qty	Model
-		repair set Set of locks D - MJ 2017>> comprising: Halter Door handle, exterior emergency key Key fob Glove compartment lock Key cover		1 2 1 1 2	
1	9P1 800 375 D	Set of locks 3 buttons	lhd	1	Coupe PR:098,524
(1)	9P1 800 375 D	Set of locks 3 buttons	lhd	1	Cabrio PR:098,524, 533
(1)	9P1 800 375 E	Set of locks 3 buttons	rhd	1	Coupe PR:099,524
(1)	9P1 800 375 E	Set of locks 3 buttons	rhd	1	Cabrio PR:099,524, 533
(1)	9P1 800 375 F	Set of locks 3 buttons	lhd	1	Coupe PR:098,523
(1)	9P1 800 375 F	Set of locks 3 buttons	lhd	1	Cabrio PR:098,523, 533
(1)	9P1 800 375 G	Set of locks 3 buttons	rhd	1	Coupe PR:099,523
(1)	9P1 800 375 G	Set of locks 3 buttons	rhd	1	Cabrio PR:099,523, 533
(1)	9P1 800 375 H	Set of locks 3 buttons	lhd	1	Coupe PR:072,098, 525
(1)	9P1 800 375 H	Set of locks 3 buttons	lhd	1	Cabrio PR:072,098, 525,533
(1)	9P1 800 375 J	Set of locks 3 buttons	rhd	1	Coupe PR:068,099, 525
(1)	9P1 800 375 J	Set of locks 3 buttons	rhd	1	Cabrio PR:068,099, 525,533
(1)	9P1 800 375 K	Set of locks 3 buttons	lhd	1	Coupe PR:098,525, -072,-553
(1)	9P1 800 375 K	Set of locks 3 buttons	lhd	1	Cabrio PR:098,525, -072,-553, 533
(1)	9P1 800 375 L	Set of locks 3 buttons	rhd	1	Coupe PR:099,525, -068,-074
(1)	9P1 800 375 L	Set of locks 3 buttons	rhd	1	Cabrio PR:099,525, -068,-074, 533
(1)	9P1 800 375 M	Set of locks 4 buttons	lhd	1	Cabrio PR:098,524, -533
(1)	9P1 800 375 N	Set of locks 4 buttons	rhd	1	Cabrio PR:099,524, -533
(1)	9P1 800 375 P	Set of locks	lhd	1	Cabrio

Model: 991T13

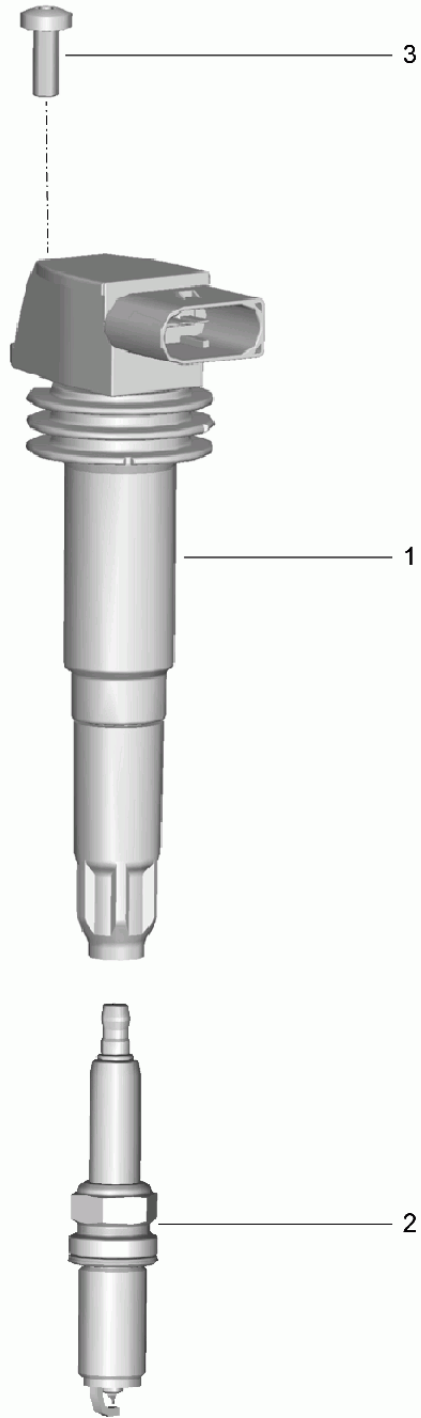
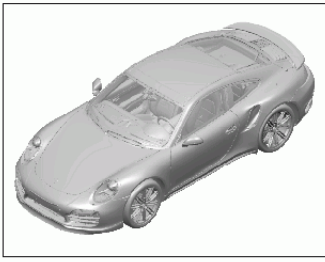
Model life 2014>>

Pos	Part Number	Description	Remark	Qty	Model
(1)	9P1 800 375 Q	4 buttons Set of locks 4 buttons	rhd	1	PR:098,523, -533 Cabrio PR:099,523, -533
(1)	9P1 800 375 R	Set of locks 4 buttons	lhd	1	Cabrio PR:098,525, -072,-533, -553
(1)	9P1 800 375 S	Set of locks 4 buttons	rhd	1	Cabrio PR:099,525, -072,-533, -553



Model: 991T13

Model life 2014>>



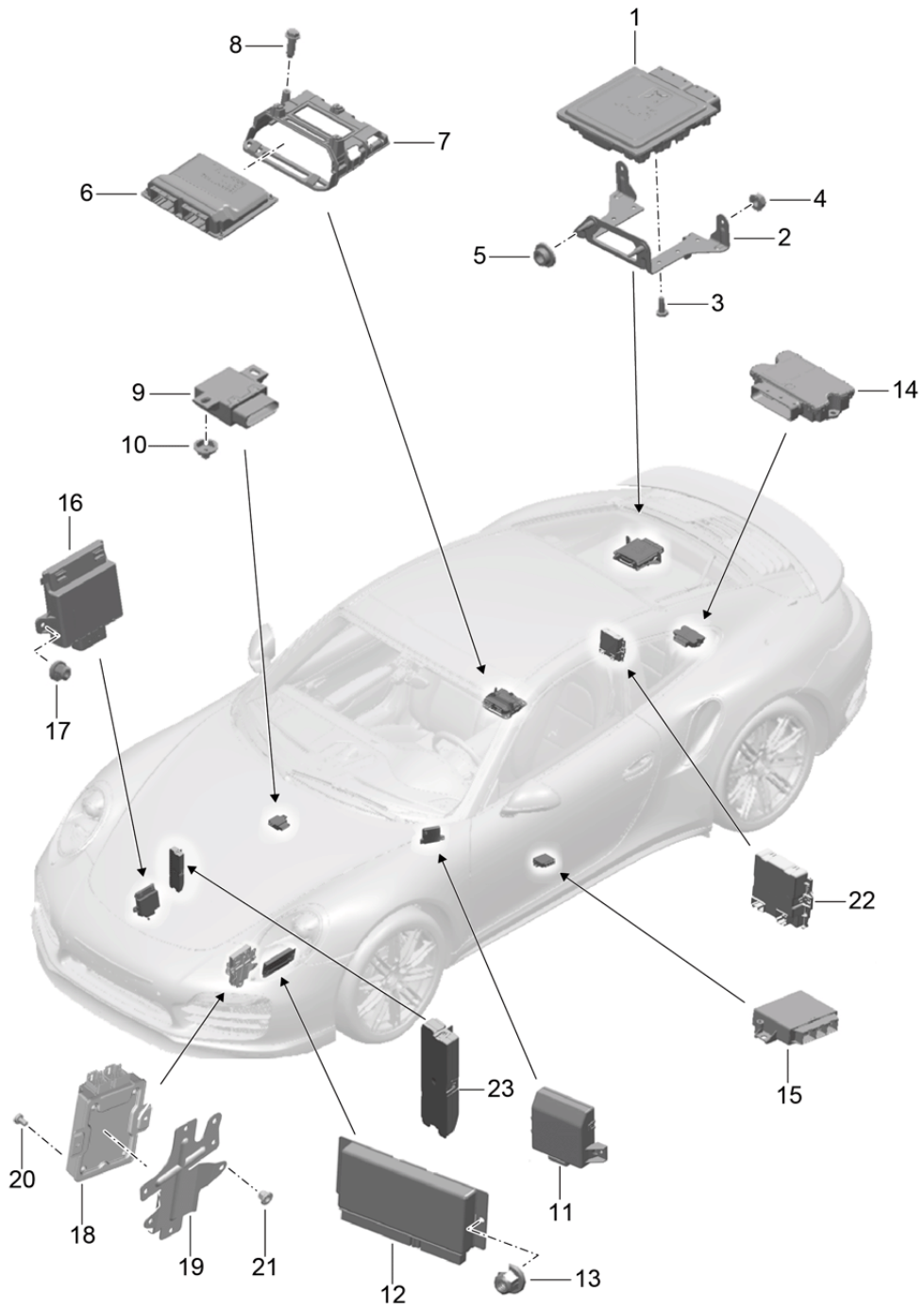
Model: 991T13

Model life 2014&gt;&gt;

Pos	Part Number	Description	Remark	Qty	Model
1	9A1 602 104 05	Ignition system		6	
2	999 170 228 90	Ignition coil		6	
3	999 073 103 01	Spark plug FR6 NPP flat round head bolt M 6 X 16		6	

Model: 991T13

Model life 2014>>



Model: 991T13

Model life 2014&gt;&gt;

Pos	Part Number	Description	Remark	Qty	Model
1	991 618 602 03	Control units Control unit - DME - D >> - MJ 2016		1	
1	9P1 907 309 C	Control unit - DME - D - MJ 2017>>		1	
2	991 618 141 01	Retainer for control units - DME - D >> - MJ 2016		1	
2	991 618 161 01	Retainer for control units - DME - D - MJ 2017>>		1	
3	999 141 044 09	fillister hd. bolt M 6 X 16		6	
4	999 084 638 01	Hexagon nut M 6		2	
5	999 703 496 40	Rubber bush		2	
6	991 618 270 14	Control unit - PDK - D >> - MJ 2016		1	PR:250
(6)	991 618 272 05	Control unit - PDK - D - MJ 2017>>		1	PR:250
7	991 618 255 00	Retainer for control units - PDK -		1	PR:250
8	999 919 130 09	Hexagon bolt 6,0 X 18,0		1	PR:250
9	7P0 906 093 B	Control unit for fuel pump		1	
9	991 618 027 02	Control unit for fuel pump		1	
-	970 618 377 00	Support section Control unit Fuel pump		1	
10	999 049 025 09	Collar nut T 5		2	
11	7PP 907 530 S	Control unit for gateway D >> - MJ 2016		1	
(11)	95B 907 530 G	Control unit for gateway D - MJ 2017>>		1	
12	991 618 107 10	Control unit - PDCC - D >> - MJ 2016		1	PR:031,352
12	991 618 107 24	Control unit - PDCC - D - MJ 2017>>		1	PR:031,352
13	999 049 033 40	Plastic nut T 6		2	
14	991 618 145 03	Control unit Electric parking brake		1	
15	95B 919 475 B	Control unit for parking aid Sensor see illustration: D >> - MJ 2016	802-010	1	PR:636,638
15	95B 919 475 K	Control unit for parking aid Sensor see illustration: D - MJ 2017>>	802-010	1	PR:636,638
(15)	991 618 185 05	Control unit for parking aid Sensor see illustration: D >> - MJ 2016	802-010	1	PR:635

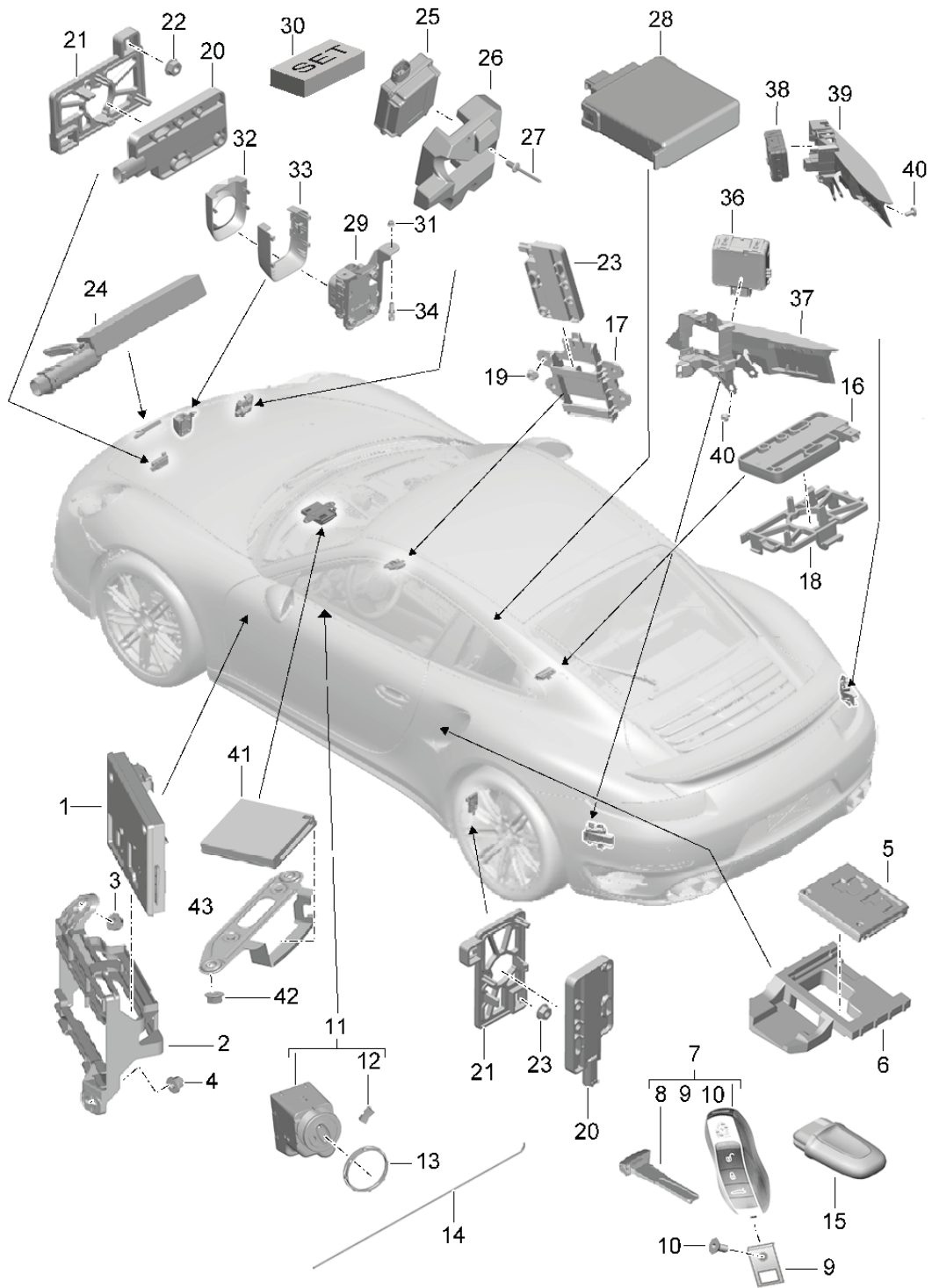
Model: 991T13

Model life 2014>>

Pos	Part Number	Description	Remark	Qty	Model
(15)	991 618 185 10	Control unit for parking aid Sensor see illustration: D - MJ 2017>>	802-010	1	PR:635
16	7PP 959 663 E	Voltage stabiliser For start-stop system D >> - MJ 2016		1	PR:642
(16)	7PP 959 663 D	Voltage converter For start-stop system D - MJ 2017>>		1	PR:642
17	999 049 033 40	Plastic nut T 6		2	PR:642
18	991 618 195 26	Control unit for four-wheel drive		1	
19	991 618 143 02	Bracket Control unit All-wheel		1	
20	999 073 236 0A	fillister hd. bolt M 6 X 10		2	
21	999 049 033 40	Plastic nut M 6 X 10		2	
22	9P1 959 257 E	Control unit Level adjustment		1	PR:474
23	991 618 218 01	Control unit Front spoiler		1	
-		Control unit Convertible top control see illustration:	811-025	1	CABRIO
-		Control unit Headlight range control see illustration:	905-003	1	

Model: 991T13

Model life 2014>>



Model: 991T13

Model life 2014>>

Pos	Part Number	Description	Remark	Qty	Model
		Control units Electronics Front end Rear end Handheld transmitter Ignition/starter switch Aerial Garage door opener Sensor Interior monitoring			
1	7PP 907 064 HG	Control unit (BCM) for conv. system & OB power supply Electric		1	PR:524
1	7PP 907 064 HH	Control unit (BCM) for conv. system & OB power supply Electric		1	PR:525
1	7PP 907 064 HF	Control unit Electronics		1	PR:523
2	991 610 111 00	Retainer for control units		1	PR:098
(2)	991 610 113 00	Retainer for control units		1	PR:099
3	999 084 638 01	Hexagon nut M 6		1	
4	999 076 081 40	Hexagon plastic collar nut T 5		1	
5	7PP 907 279 BD	Control unit Electronics Rear end		1	PR:-IY2
5	7PP 907 279 BF	D >> - MJ 2014 Control unit Electronics Rear end		1	PR:IY2
5	7PP 907 279 BF	D - MJ 2014>> - MJ 2014 Control unit Electronics Rear end		1	
5	9A7 907 279 00	D - MJ 2015>> Control unit Electronics Rear end		1	
6	991 618 325 00	D - MJ 2016>> Retainer for control units		1	
7	991 637 950 03	Handheld transmitter Key cover Vehicle Ident. No. Indicate See technical information Service Group 5 Document 5708 31/12		1	COUPE PR:524
7	991 637 950 03	Handheld transmitter Key cover Vehicle Ident. No. Indicate See technical information Service Group 5 Document 5708 31/12		1	CABRIO PR:524,533
7	991 637 963 03	Handheld transmitter		1	COUPE

Model: 991T13

Model life 2014&gt;&gt;

Pos	Part Number	Description	Remark	Qty	Model
		Key cover Vehicle Ident. No. Indicate See technical information Service Group 5 Document 5708 31/12			PR:523
7	991 637 963 03	Handheld transmitter Key cover Vehicle Ident. No. Indicate See technical information Service Group 5 Document 5708 31/12		1	CABRIO PR:523,533
(7)	991 637 951 03	Handheld transmitter Key cover Vehicle Ident. No. Indicate See technical information Service Group 5 Document 5708 31/12		1	PR:072,525, 533,553
(7)	991 637 952 03	Handheld transmitter Key cover Vehicle Ident. No. Indicate See technical information Service Group 5 Document 5708 31/12		1	COUPE PR:525,-072, -553
(7)	991 637 956 03	Handheld transmitter Key cover Vehicle Ident. No. Indicate See technical information Service Group 5 Document 5708 31/12		1	CABRIO PR:524,-533
(7)	991 637 962 03	Handheld transmitter Key cover Vehicle Ident. No. Indicate See technical information Service Group 5 Document 5708 31/12		1	CABRIO PR:523,-533
(7)	991 637 957 03	Handheld transmitter Key cover Vehicle Ident. No. Indicate See technical information Service Group 5 Document 5708 31/12		1	CABRIO PR:525,-072, -533,-553
8	958 538 916 00	emergency key		1	



Model: 991T13

Model life 2014>>

Pos	Part Number	Description	Remark	Qty	Model
		with stipulated lock number Vehicle Ident. No. Indicate			
-	999 611 108 00	Battery for hand sender		1	
9	991 637 301 00	Eye		1	
10	991 637 303 00	countersunk bolt		1	
11	7PP 905 865 F	Control unit		1	
		Ignition/starter switch			
12	970 618 959 00	Cover		1	
		Release			
		Handheld transmitter			
13	7PP 911 094	Nut		1	
14	7PP 907 256	Emergency operation		1	
		Release			
		Ignition/starter switch			
15	7PP 919 157 A	Control panel		1	PR:625
16	7PP 962 132 A	Aerial	inner	2	PR:625
17	991 637 335 01	Retainer for aerial		1	PR:625
18	991 637 333 00	Retainer for aerial		1	PR:625
19	999 507 074 02	Tapping nut		4	PR:625
		5			
20	7PP 962 132	Aerial	outer	3	PR:625
21	991 637 331 00	Retainer for aerial		3	PR:625
22	999 084 638 01	Hexagon nut		2	PR:625
		M 6			
23	999 049 033 40	Plastic nut		4	PR:625
		T 6			
24	991 637 133 01	Sensor	front	1	PR:625
		Trim			
25	8K0 907 410	Control unit for opening garage door		1	PR:608
(25)	8K0 907 410 C	Control unit for opening garage door		1	PR:607
26	991 618 267 00	Bracket		1	PR:607,608
27	999 190 310 30	Pop rivet		1	PR:607,608
28	991 618 210 05	Sensor for interior monitoring		1	PR:534,-193
(28)	991 618 209 01	Sensor for interior monitoring		1	PR:534,193
29	991 605 085 03	Control unit for distance regulation		1	PR:456
		with:			
30	970 605 901 00	Bracket repair set comprising:		1	PR:456
		Clip		3	
		adjusting screw		2	
		Screw		1	
		Clip		3	
31	N 102 058 02	Hexagon collar nut self-locking		2	PR:456
		M 6			
32	991 605 186 00	Cover panel		1	PR:153,456
	991 605 186 00 1E0	Black			
33	991 605 188 00	Cover panel		1	PR:153,456
	991 605 188 00 1E0	Black			
34	999 080 056 01	Fastening screw		2	PR:456
35	991 605 285 01	Retainer for control units		1	PR:456
		Control unit for distance regulation			
36	9P1 907 566 B	Control unit for lane change assist MASTER		1	PR:457

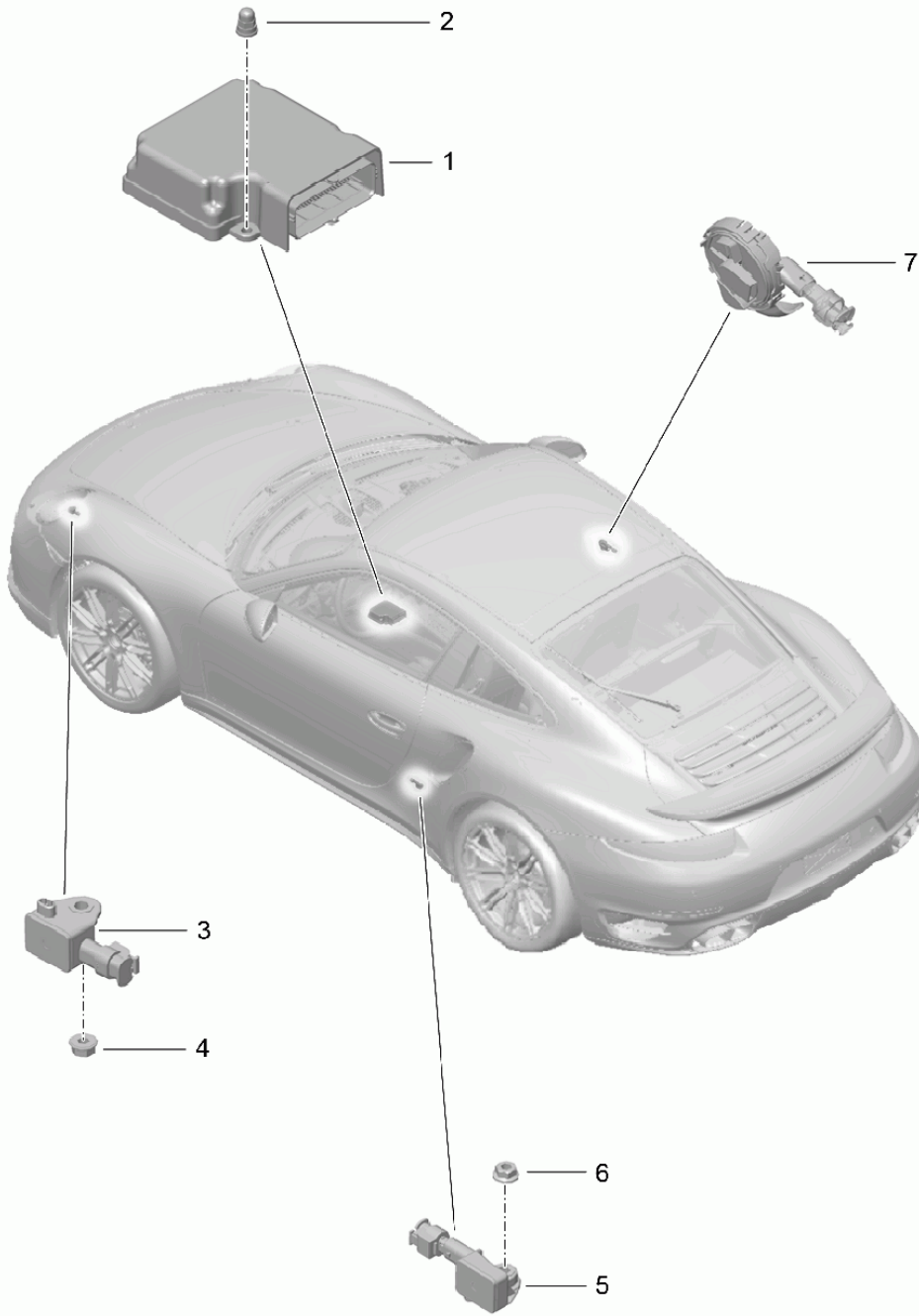
Model: 991T13

Model life 2014>>

Pos	Part Number	Description	Remark	Qty	Model
(36)	9P1 907 566 C	See workshop manual D >> - 06.09.2016 Control unit for lane change assist MASTER D - 07.09.2016>>		1	PR:457
37	9P1 907 510 E	Bracket Control unit Lane Change Assistant MASTER		1	PR:457
38	9P1 907 590 B	Control unit for lane change assist SLAVE See workshop manual D >> - 06.09.2016		1	PR:457
(38)	9P1 907 590 C	Control unit for lane change assist SLAVE D - 06.09.2016>>		1	PR:457
39	9P1 907 509 E	Bracket Control unit Lane Change Assistant SLAVE		1	PR:457
40	999 073 273 09	fillister hd. bolt Alarm horn		6	PR:457
41	9A7 637 620 00	Control unit VTS vehicle tracking	see illustration: 903-000	1	PR:7G9,7I0, 7I2
42	900 377 010 01	Hexagon nut		2	PR:7G9
43	9P1 035 317	Retainer for control units VTS vehicle tracking		1	PR:7G9
44	7PP 862 077	Driver Card VTS vehicle tracking		1	PR:7I2

Model: 991T13

Model life 2014>>



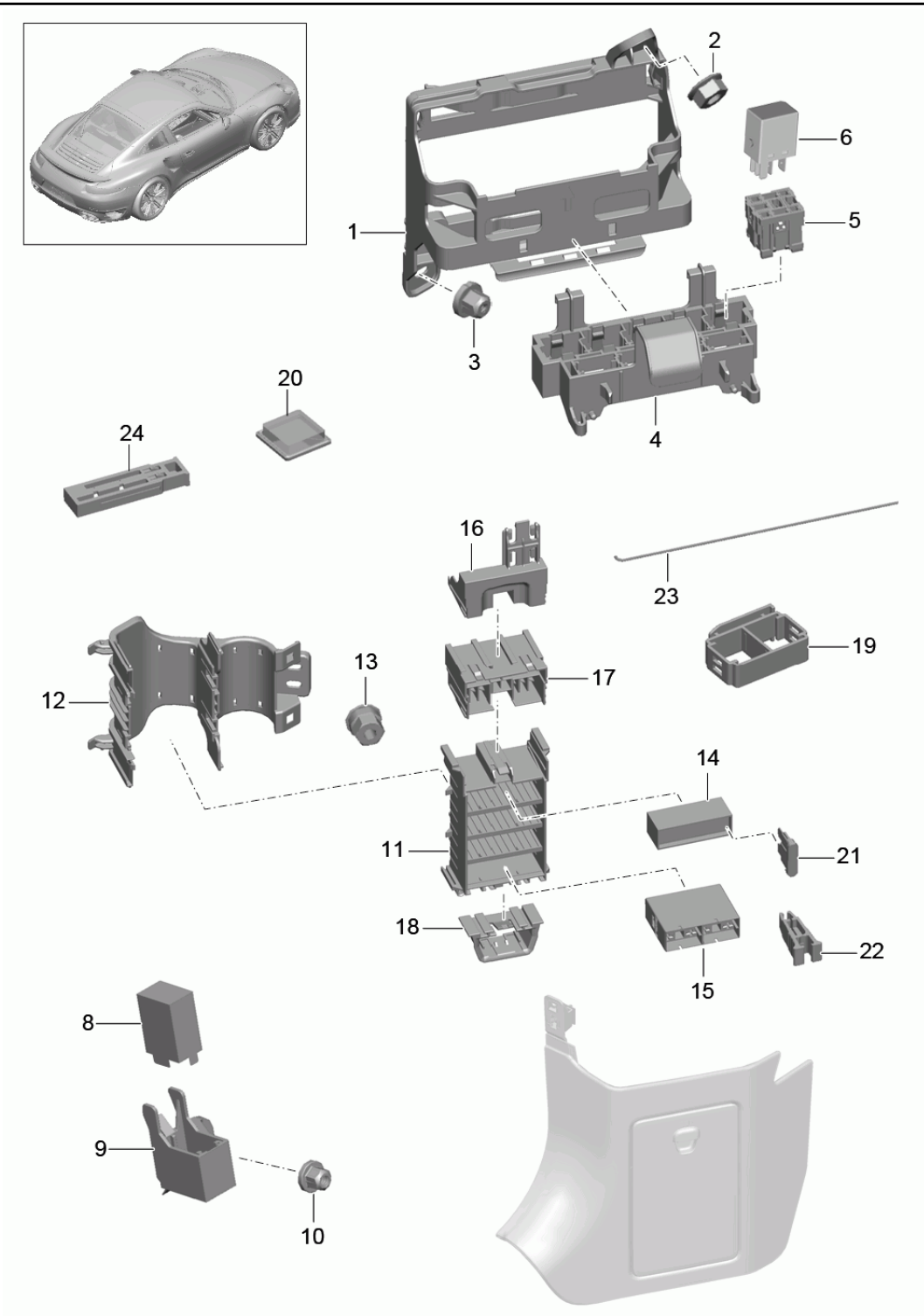
Model: 991T13

Model life 2014>>

Pos	Part Number	Description	Remark	Qty	Model
-		Control unit Sensor Airbag Airbag unit			
-		see illustration:	812-050		
-		Switch Airbag			
		see illustration:	903-005		
1	991 618 201 04	Control unit for airbag D - MJ 2014 >>		1	
1	991 618 201 08	Control unit for airbag D - MJ 2015>> - MJ 2016		1	
1	991 618 201 09	Control unit for airbag D - MJ 2017>>		1	
2	999 070 015 02	domed cap nut M 6		3	
3	991 618 223 01	Front sensor		2	
4	999 084 638 01	Hexagon nut M 6		2	
5	991 618 221 01	Sensor Side airbag unit		2	
6	999 084 629 01	Hexagon nut M 6		2	
7	9P1 959 354	Pressure sensor doors		2	

Model: 991T13

Model life 2014>>



Model: 991T13

Model life 2014>>

Pos	Part Number	Description	Remark	Qty	Model
		central electrics dashboard			
1	991 610 111 00	Retainer for control units	lhd	1	PR:098
(1)	991 610 113 00	Retainer for control units	rhd	1	PR:099
2	999 084 638 01	Hexagon nut M 6		1	
3	999 076 081 40	Hexagon plastic collar nut T 5		1	
4	991 610 105 00	Mounting frame		1	
5	443 937 527	relay plate		X	
		for Relay K 3,K 4,K 5			
(5)	999 650 538 40	relay plate		X	
		for Relay K 6			
6		Relay			
(6)	999 657 016 90	Relay Emergency operation Cover		1	
		relay location/code no.:	K3		
(6)	958 615 029 00	Relay Radiator fan 1	left	1	
		relay location/code no.:	K4		
(6)	958 615 029 00	Relay Radiator fan 2	right	1	
		relay location/code no.:	K5		
(6)	958 615 010 00	Relay Fanfare		1	
		relay location/code no.:	K6		
8	4H0 951 253 C	Relay Fuel pump		1	
9	991 610 151 00	Luggage compartment Relay holder		1	
10	999 049 033 40	Fuel pump Plastic nut T 6		1	
11	991 610 101 00	Carrier		2	
12	991 610 103 00	Cover		2	
13	999 516 032 01	Hexagon nut M 6		2	
14	999 650 209 40	fuse holder		6	
15	999 650 750 40	fuse holder		2	
16	991 610 104 00	Cover	right	1	
17	991 610 102 00	Bracket fuse	left	1	
18	991 610 120 00	mounting for diagnosis plug		1	
19	991 610 127 00	Bracket Connection point		5	
20	7PP 867 300	Clip		4	
21	999 607 082 00	fuse 5 A		X	
(21)	999 607 083 00	fuse 7 , 5 A		X	
(21)	999 607 084 00	fuse 10 A		X	
(21)	999 607 085 00	fuse 15 A		X	
(21)	999 607 086 00	fuse 20 A		X	
(21)	999 607 087 00	fuse		X	

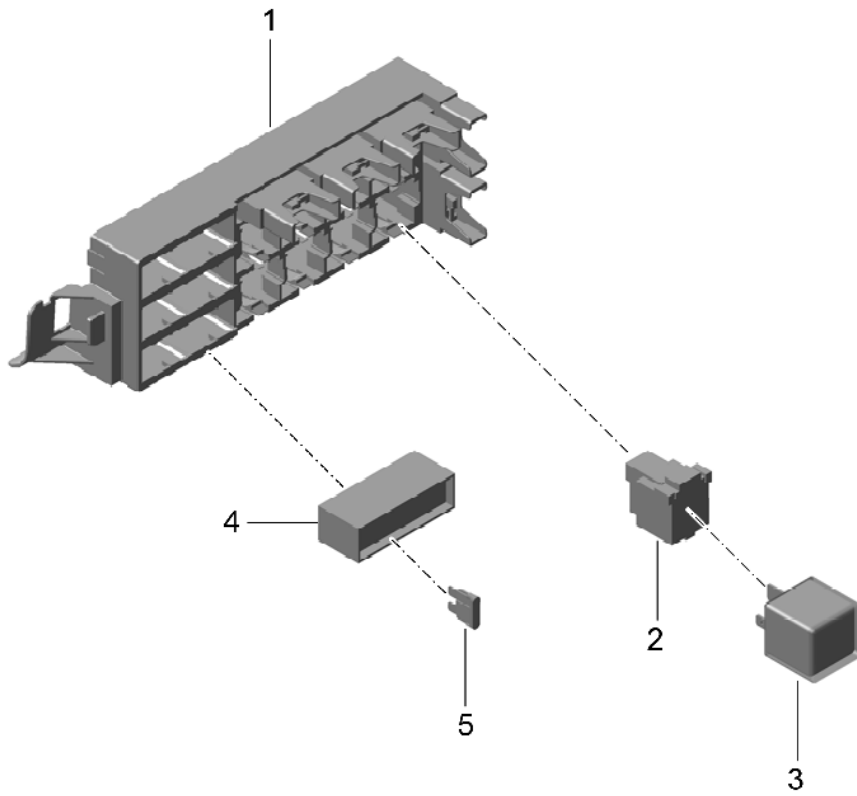
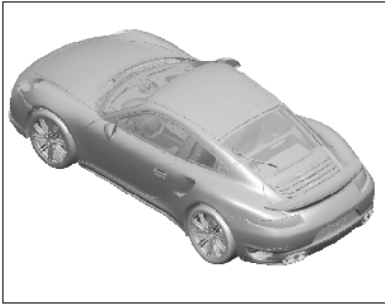
Model: 991T13

Model life 2014>>

Pos	Part Number	Description	Remark	Qty	Model
(21)	999 607 088 00	25 A fuse		X	
(21)	999 607 089 00	30 A fuse		X	
(21)	999 607 111 00	40 A fuse		X	
(21)	999 607 072 00	25 A fuse	Large	X	
(21)	999 607 073 00	30 A fuse	Large	X	
(21)	999 607 019 00	40 A fuse	Large	X	
22	999 107 300 40	50 A Tool	Large	X	
23	7PP 907 256	Emergency operation Release		1	
24	991 610 340 00	Ignition/starter switch Terminal clamp		1	
-		Emergency operation Cover		X	
		Cover for housing fuse			
		see illustration:	807-010		

Model: 991T13

Model life 2014>>



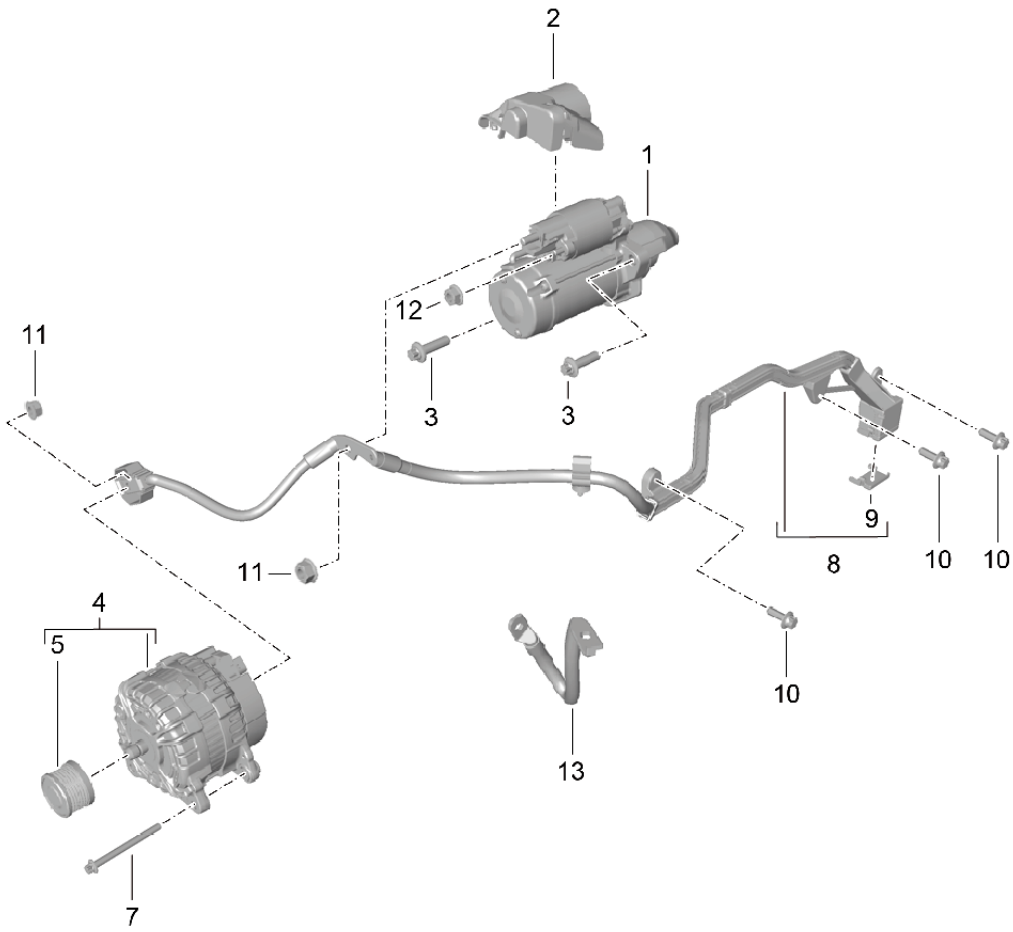
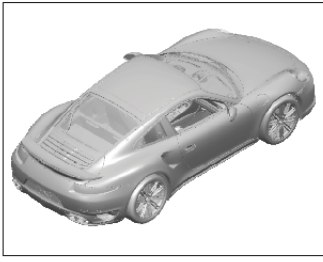


Model: 991T13 Model life 2014>>

Pos	Part Number	Description	Remark	Qty	Model
1	991 610 107 00	central electrics Rear end Mounting frame		1	
2	955 610 307 00	relay plate		X	
(2)	443 937 527	for Relay K 1,K 3 relay plate		X	
(2)	999 656 311 40	for Relay K 2,K 4,K 8 relay plate		X	
3		for Relay K 6,K 7			
(3)	955 615 025 10	Relay - DME -		1	
(3)	999 657 013 90	relay location/code no.: Relay Fan	K1	1	
(3)	955 615 027 00	Engine bay relay location/code no.: Relay	K2	1	
(3)	999 657 016 90	Starter relay location/code no.: Relay	K3	1	
(3)	999 657 014 90	Spoiler relay location/code no.: Relay	K4	2	
(3)	999 657 015 90	Fan Engine bay relay location/code no.: Relay	K6	1	
(3)	999 657 016 90	Rear window heating relay location/code no.: Relay	K7	1	
(3)	999 657 016 90	Spoiler relay location/code no.:	K8		
4	999 650 209 40	fuse holder		3	
5	999 607 082 00	fuse		X	
(5)	999 607 084 00	5 A		X	
(5)	999 607 085 00	10 A		X	
(5)	999 607 086 00	15 A		X	
(5)	999 607 087 00	20 A		X	
(5)	999 607 088 00	25 A		X	
(5)	999 607 073 00	30 A		X	
(5)	999 607 073 00	40 A		X	
			Large		

Model: 991T13

Model life 2014>>



Model: 991T13

Model life 2014>>

Pos	Part Number	Description	Remark	Qty	Model
		Starter			
		Alternator			
		Ground cable			
1	9A1 604 109 00	Starter		1	
1	9A1 604 109 X	Starter		1	
2	9A1 607 212 00	Protective cap		1	
		Starter			
3	900 385 097 01	Torx screw		2	
		BM 10 X 35			
4	9A1 603 018 01	Alternator		1	
4	9A1 603 018 AX	Alternator		1	
5	9A1 603 955 00	repair set		1	
		pulley			
-		Cover			
		Alternator			
		see illustration:	101-010		
7	900 385 102 01	Torx screw		2	
		BM 8 X 90			
8	9A1 607 075 00	Wire set		1	
		with:			
		Connection point			
		Alternator			
		Starter			
9	9A1 607 261 00	Cover		1	
		Connection point			
10	900 385 009 01	Torx screw		3	
		BM 6 X 16			
11	900 377 003 01	Hexagon nut		2	
		M 8			
12	900 377 010 02	Hexagon nut		1	
		M 6			
13	9A1 607 058 01	Earth line		1	
		Engine			
		Body			
-	900 385 001 03	Torx screw		2	
		BM 8 X 20			
		Ground cable			
		Body			



Model: 991T13 Model life 2014>>

Pos	Part Number	Description	Remark	Qty	Model
1	991 611 043 02	Battery Power distributor Earth line	lhd	1	PR:098
		D >> - MJ 2016			
1	991 611 043 03	Earth line	lhd	1	PR:098
		D - MJ 2017>>			
(1)	991 611 044 02	Earth line	rhd	1	PR:099
		D >> - MJ 2016			
(1)	991 611 044 03	Earth line	rhd	1	PR:099
		D - MJ 2017>>			
2	999 084 447 01	Hexagon nut		1	
		M 8			
3	999 611 070 10	Battery		1	PR:195
		70 AH			- "BR. "
(3)	999 611 080 10	Battery		1	PR:196
		80 AH			- "BR. "
(3)	999 611 095 11	Battery		1	PR:200
		95 AH			- "BR. "
4	991 611 209 01	Rail	lhd	1	PR:098
		Battery			
(4)	991 611 210 01	Rail	rhd	1	PR:099
		Battery			
5	900 378 017 01	Hexagon bolt		1	
		M 8 X 20			
6	991 611 212 00	Retainer for battery		1	
7	900 377 003 03	Hexagon nut		2	
		M 8			
8	991 611 013 01	Battery cable	lhd	1	PR:098
		Power distributor			
(8)	991 611 014 01	Battery cable	rhd	1	PR:099
		Power distributor			
9	991 610 321 00	Fuse socket		1	
		Battery			
10	999 607 095 00	fuse		1	
		80 A			
(10)	999 607 092 00	fuse		2	
		60 A			
11	900 084 122 02	Hexagon nut		6	
		M 5			
12	900 377 001 00	Hexagon nut		1	
		M 6			
13	991 610 351 00	Power distributor (complete)		1	
		use if required:			
14	999 049 033 40	POS. 14 Plastic nut		3	
		T 6			
15	991 610 305 00	Cover		1	
16	991 610 307 00	Cable guide		1	
		Lower part			
17	991 610 309 00	Cable guide - upper part		1	
18	991 618 075 01	Control unit		1	
19	991 610 303 00	Lower part		1	
		Power distributor			
20	999 607 054 00	fuse		1	
		100 A			
		60 A			
21	999 607 099 00	fuse		1	
		40 A			
22	999 607 095 00	fuse		1	
		80 A			
23	999 607 055 00	fuse		1	
		100 A			

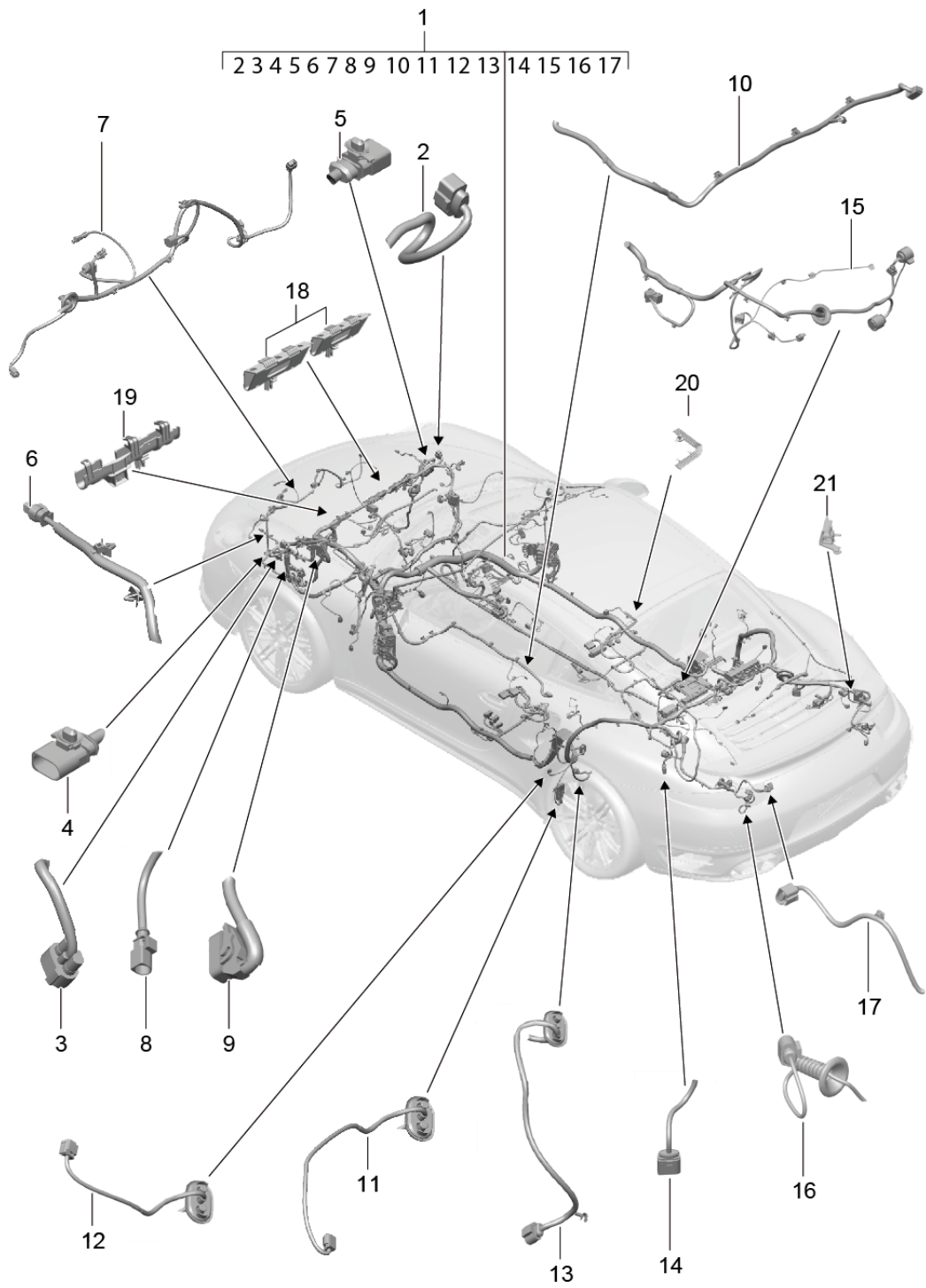
Model: 991T13

Model life 2014>>

Pos	Part Number	Description	Remark	Qty	Model
24	999 607 092 00	40 A fuse		1	
25	999 607 053 00	60 A fuse		1	
		100 A 80 A 100 A			
(25)	9A7 607 059 00	D >> - 30.09.2014 fuse		1	
		100 A 60 A 100 A			
26	999 607 082 00	D - 01.10.2014>> fuse		1	
27	900 084 122 02	5 A Hexagon nut		6	
		M 5			
28	900 084 123 02	Hexagon nut		3	
		M 8			
29	8D0 951 253	Relay		1	
30	999 657 020 90	Relay		2	
31	999 657 021 90	Relay		1	
32	991 611 015 00	Cable	lhd	1	PR:098
		Power distributor Connection point			
(32)	991 611 016 00	Cable	rhd	1	PR:099
		Power distributor Connection point			

Model: 991T13

Model life 2014>>



Model: 991T13

Model life 2014>>

Pos	Part Number	Description	Remark	Qty	Model
1	991 622 901 00	Wiring looms Passenger compartment and part section wiring harness D >> - MJ 2016 Wire set Passenger compartment * Part number must be ordered * manually by indicating * vehicle ID number.		1	
2	991 612 920 00	Wire set part section wiring harness Headlights modify in workshop	left right	1	
3	991 612 921 00	Wire set part section wiring harness Fan Radiator modify in workshop	left right	1	
4	991 612 922 00	Wire set part section wiring harness Connection point Trim modify in workshop	left front	1	PR:-625
(4)	991 612 922 50	Wire set part section wiring harness Connection point Trim modify in workshop	left front	1	PR:625
5	991 612 937 00	Wire set part section wiring harness Connection point Trim modify in workshop	right front	1	
6	991 612 923 00	Wire set part section wiring harness Sensor Airbag modify in workshop	front left right	1	
7	991 612 924 00	Wire set part section wiring harness Front end modify in workshop	lhd	1	PR:098,-456
(7)	991 612 924 50	Wire set part section wiring harness Front end modify in workshop	lhd	1	PR:098,456
(7)	991 612 938 00	Wire set part section wiring harness Front end modify in workshop	rhd	1	PR:099,-456
(7)	991 612 938 50	Wire set part section wiring harness Front end modify in workshop	rhd	1	PR:099,456
8	991 612 926 00	Wire set part section wiring harness Connection point Front axle modify in workshop	left right	2	
9	991 612 940 00	Wire set part section wiring harness Control unit		1	



Model: 991T13

Model life 2014>>

Pos	Part Number	Description	Remark	Qty	Model
10	991 612 925 00	Hydraulic unit modify in workshop Wire set part section wiring harness Control unit tyre pressure control system modify in workshop		1	PR:482,483
11	991 612 927 00	Wire set part section wiring harness Aerial Wheel housing modify in workshop	rear left right	1	PR:625
12	991 612 928 00	Wire set part section wiring harness Aerial tyre pressure control system Wheel housing modify in workshop	rear left right	1	PR:482,483
13	991 612 942 00	Wire set part section wiring harness Valve block Rear axle - PDCC - modify in workshop	left	1	PR:352
14	991 612 930 00	Wire set part section wiring harness Connection point Rear axle modify in workshop	left right	1	
15	991 612 936 00	Wire set part section wiring harness - PDK - Gearbox		1	PR:250
		with:			
16	991 612 931 00	Connector Control unit modify in workshop Wire set part section wiring harness Rear light and modify in workshop	lhd left right	1	PR:098
(16)	991 612 933 00	Wire set part section wiring harness Rear light and modify in workshop	rhd left right	1	PR:099
17	991 612 934 50	Wire set part section wiring harness Connection point Trim modify in workshop	rear	1	PR:339,-635, -636
(17)	991 612 935 00	Wire set part section wiring harness Connection point Trim modify in workshop	rear	1	PR:635,636
18	991 610 233 01	Cable guide filler plate		2	
19	991 610 234 01	Cable guide filler plate		1	
20	991 610 221 00	Cable guide Roofliner		1	

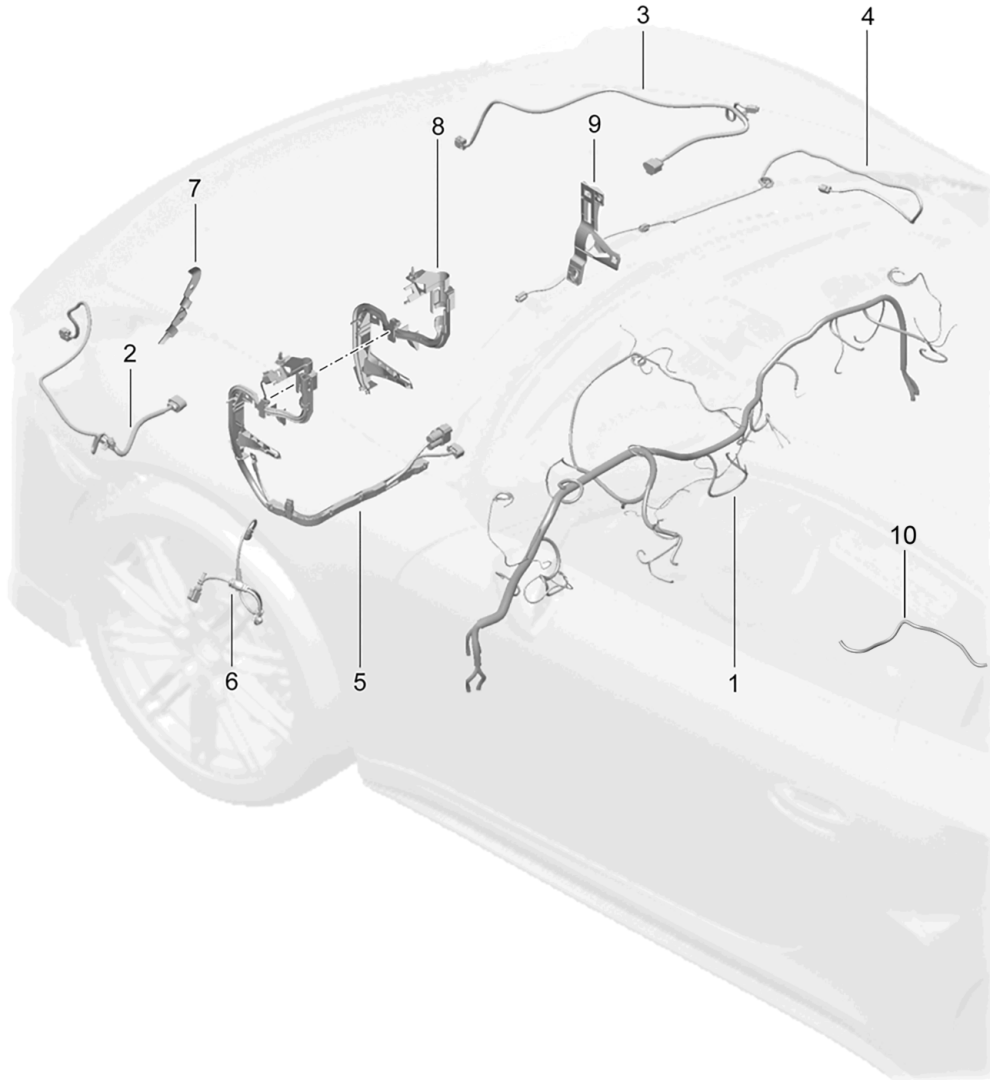
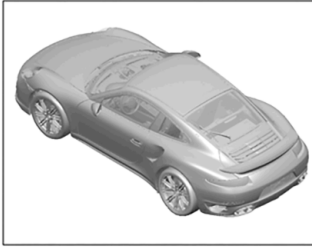
Model: 991T13

Model life 2014&gt;&gt;

Pos	Part Number	Description	Remark	Qty	Model
21	991 610 155 00	Bracket Connection point Behind Rear light		1	PR:638

Model: 991T13

Model life 2014>>



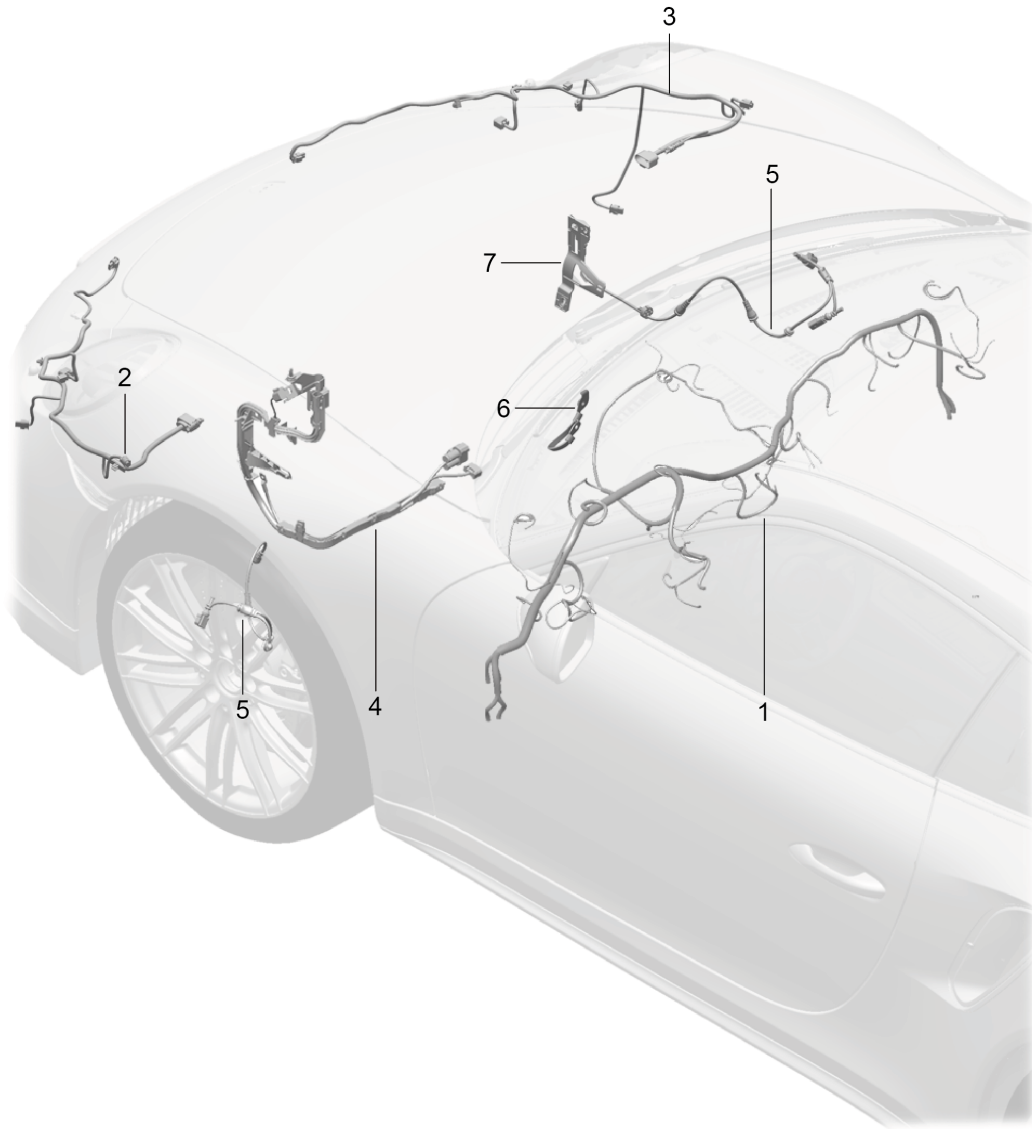
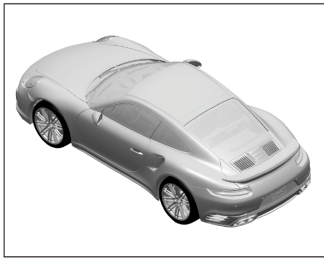
Model: 991T13

Model life 2014>>

Pos	Part Number	Description	Remark	Qty	Model
1	991 622 902 00	Wire set dashboard Trim Cover Steering Front axle Front axle differential D >> - MJ 2016	front	1	
2	991 622 591 03	Wire set Trim Indicate	front left	1	PR:605,-636, -625,-638
(2)	991 622 593 03	Wire set Trim	front left	1	PR:605,636, 638,-625
(2)	991 622 595 03	Wire set Trim	front left	1	PR:605,-636, 625,-638
(2)	991 622 597 03	Wire set Trim	front left	1	PR:605,636, 625,638
3	991 622 592 03	Wire set Trim	front right	1	PR:605,-636, -638
(3)	991 622 594 03	Wire set Trim	front right	1	PR:605,636, 638
4	991 612 599 01	Wire set Cover	front	1	
5	991 612 830 03	Wire set Steering	lhd	1	PR:098
(5)	991 612 830 54	Wire set Steering	rhd	1	PR:099
6	991 609 131 00	Wire set		2	
7	9P1 971 250	Front axle Ground strap		1	
8	991 610 121 01	Front axle differential Bracket		1	
9	991 610 133 00	Wire set Steering Bracket Connection point		1	
-		Wire set Front axle			
10	991 609 305 00	Wire set Rear axle see illustration:	902-020	1	
		Earth line for Front axle differential			

Model: 991T13

Model life 2014>>



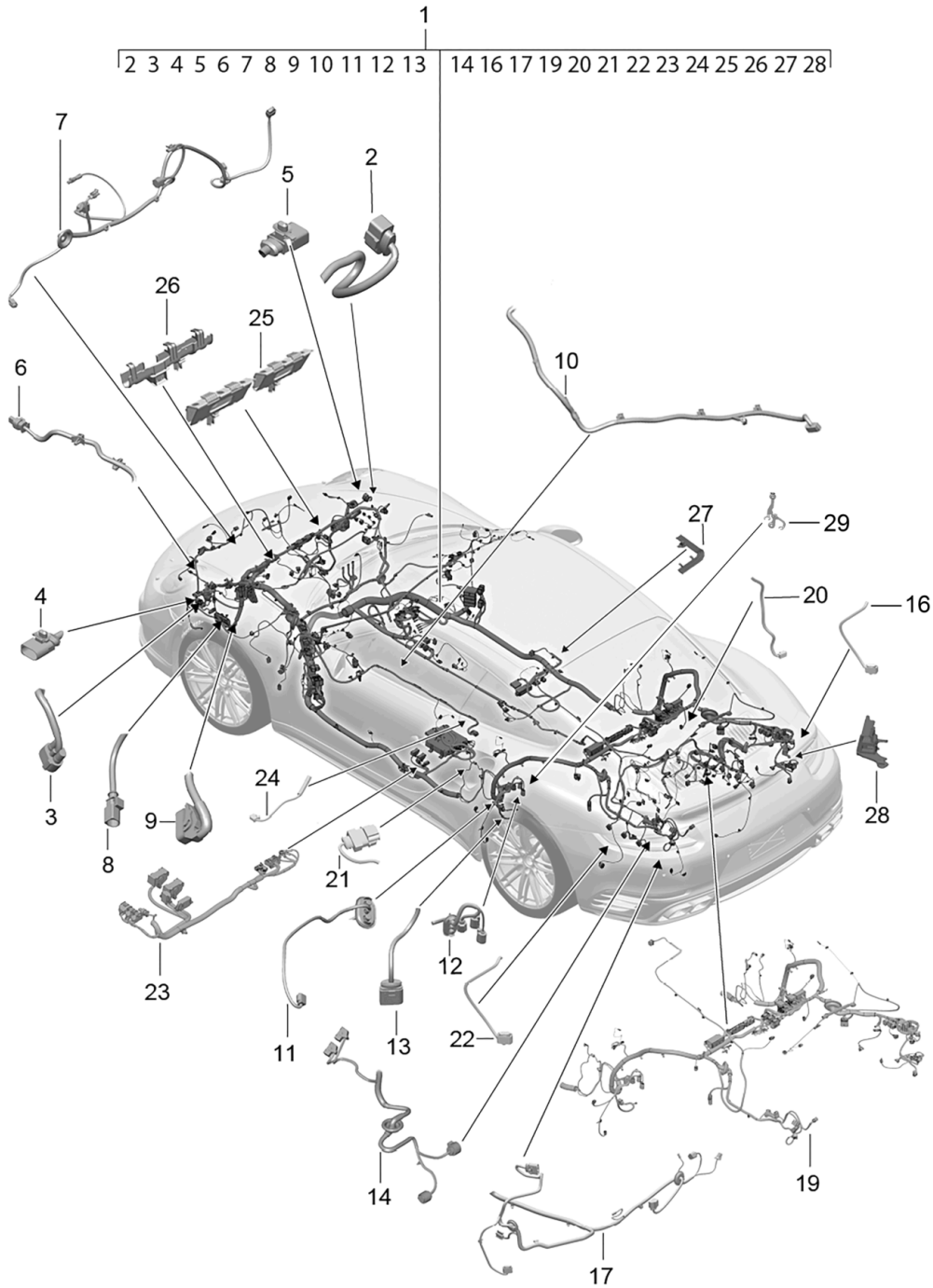
Model: 991T13

Model life 2014>>

Pos	Part Number	Description	Remark	Qty	Model
1	991 622 902 00	Wiring looms dashboard Trim Cover Steering Front axle D - MJ 2017>> Wire set dashboard * Part number must be ordered * manually by indicating * vehicle ID number.	front	1	
2	9P1 971 095 G	Wire set Trim	front left	1	
3	9P1 971 104 C	Wire set Trim	front right	1	
4	9P3 971 111	Wire set Steering	lhd	1	PR:098
(4)	9P4 971 111	Wire set Steering	rhd	1	PR:099
5	991 609 137 00	Wire set Front axle		2	
6	9P1 971 250 A	Ground strap Front axle differential		1	
7	991 610 133 00	Bracket Connection point Wire set Front axle		1	
-		Wire set Rear axle  see illustration:	902-020		

Model: 991T13

Model life 2014>>



Model: 991T13

Model life 2014&gt;&gt;

Pos	Part Number	Description	Remark	Qty	Model
1	991 612 901 00	Wiring looms Passenger compartment and part section wiring harness D - MJ 2017>> Wire set Passenger compartment * Part number must be ordered * manually by indicating * vehicle ID number.		1	
(2)	991 612 920 11	Wire set part section wiring harness Headlights and modify in workshop	left right	1	PR:XEY,602
3	991 612 921 01	Wire set part section wiring harness Fan Radiator and modify in workshop	left right	1	
(4)	991 612 922 03	Wire set part section wiring harness Connection point Trim modify in workshop	left front	1	PR:-625,-638
(4)	991 612 922 52	Wire set part section wiring harness Connection point Trim modify in workshop	left front	1	PR:625,-638
(4)	991 612 922 53	Wire set part section wiring harness Connection point Trim modify in workshop	left front	1	PR:625,638
5	991 622 937 02	Wire set part section wiring harness Connection point Trim modify in workshop	right front	1	PR:638
6	991 612 923 01	Wire set part section wiring harness Sensor Airbag and modify in workshop	front left right	1	
7	991 612 924 11	Wire set part section wiring harness Front end modify in workshop		1	PR:098,454
(7)	991 612 924 53	Wire set part section wiring harness Front end modify in workshop		1	PR:098,456
(7)	991 612 938 11	Wire set part section wiring harness Front end modify in workshop		1	PR:099,454
(7)	991 612 938 53	Wire set part section wiring harness Front end modify in workshop		1	PR:099,456



Model: 991T13

Model life 2014>>

Pos	Part Number	Description	Remark	Qty	Model
8	991 612 926 00	Wire set part section wiring harness Connection point Front axle and modify in workshop	left right	2	
9	991 612 940 02	Wire set part section wiring harness Control unit Hydraulic unit modify in workshop		1	
10	991 612 925 03	Wire set part section wiring harness Control unit tyre pressure control system modify in workshop		1	PR:482
(10)	991 612 925 11	Wire set part section wiring harness Control unit tyre pressure control system modify in workshop		1	PR:483
11	991 612 928 11	Wire set part section wiring harness Aerial Wheel housing and modify in workshop	rear left right	1	PR:625
12	991 612 942 03	Wire set part section wiring harness Valve block Rear axle - PDCC - modify in workshop	left	1	PR:352
13	991 612 930 01	Wire set part section wiring harness Connection point Rear axle and modify in workshop	left right	1	
14	991 612 936 03	Wire set part section wiring harness - PDK - Gearbox  with: Connector Control unit modify in workshop		1	PR:250
16	991 612 933 10	Wire set part section wiring harness Rear light and modify in workshop	left right	1	
17	991 612 934 53	Wire set part section wiring harness Connection point Trim modify in workshop	rear	1	PR:-638
(17)	991 612 935 04	Wire set part section wiring harness Connection point Trim modify in workshop	rear	1	PR:638
19	991 612 951 02	Wire set		1	

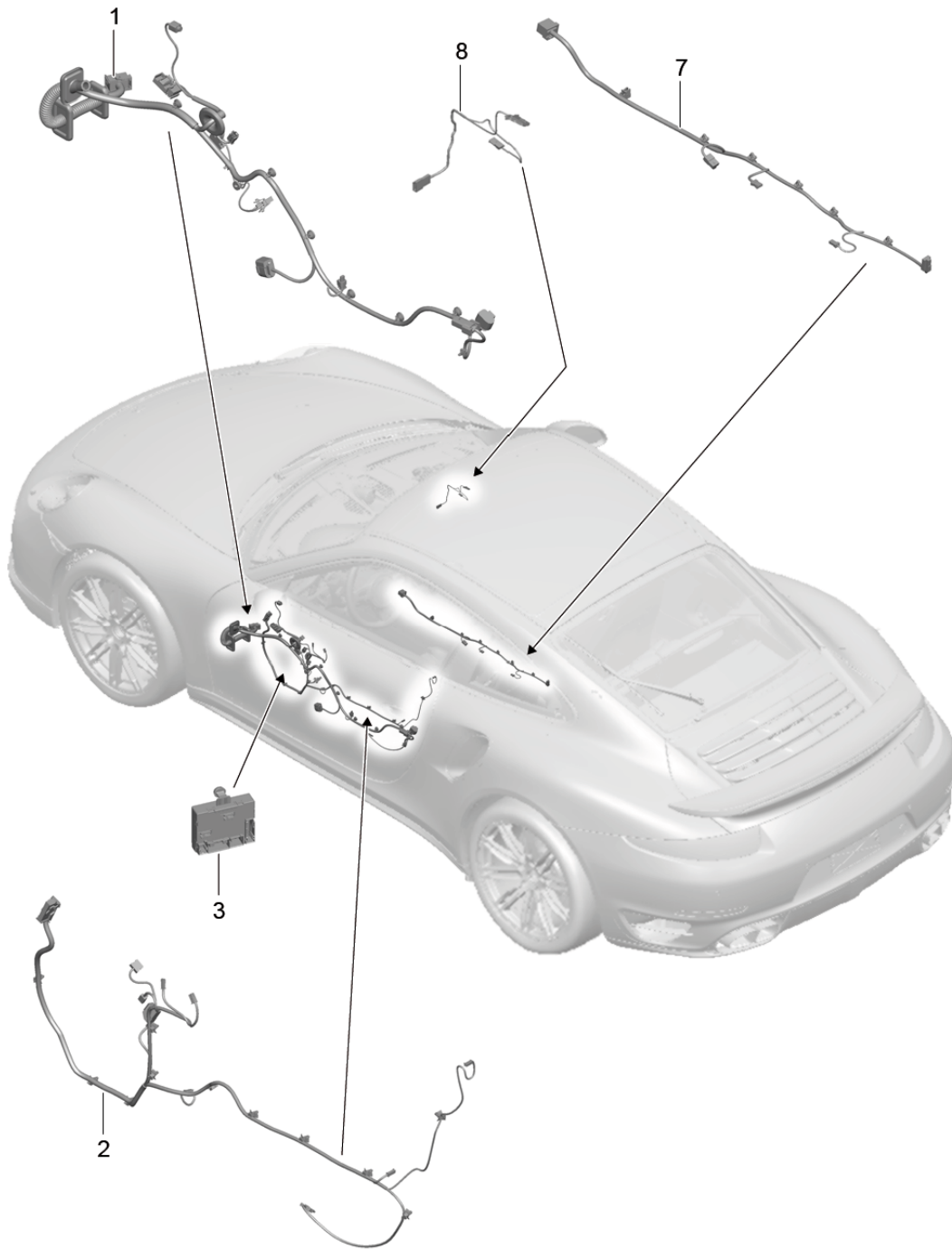
Model: 991T13

Model life 2014&gt;&gt;

Pos	Part Number	Description	Remark	Qty	Model
20	991 612 941 03	part section wiring harness Rear end Electronics Wire set	rear	1	PR:470
21	991 612 956 01	part section wiring harness Steering Wheel housing modify in workshop Wire set		1	PR:7G9,7I0, 7I2
22	991 612 950 00	part section wiring harness Control unit VTS vehicle tracking modify in workshop Wire set		1	PR:638
23	991 612 952 02	part section wiring harness Control unit Parking aid modify in workshop Wire set		1	PR:QU1,QV1
24	991 612 954 02	part section wiring harness Control unit TV modify in workshop Wire set		1	PR:9VL
(24)	991 612 955 02	part section wiring harness Control unit Amplifiers Bose modify in workshop Wire set		1	PR:9VJ
25	991 610 233 01	part section wiring harness Amplifiers Burmester modify in workshop Cable guide		2	
26	991 610 234 01	filler plate Cable guide		1	
27	991 610 221 00	filler plate Cable guide		1	
28	991 610 155 00	Roofliner Bracket Connection point Behind Rear light		1	PR:638
29	991 609 141 02	bracket for connector housing Connection cable Cable set for axle wiring	left	1	
(29)	991 609 142 02	bracket for connector housing Connection cable Cable set for axle wiring	right	1	

Model: 991T13

Model life 2014>>



Model: 991T13

Model life 2014>>

Pos	Part Number	Description	Remark	Qty	Model
1	991 622 613 06	Wiring looms doors Centre console Glove box Control units doors Convertible top control D >> - MJ 2016 Wire set Assembly frame Driver's door Engine Window regulator 2-pole	lhd	1	PR:098,680
1	991 622 613 56	Wire set Assembly frame Driver's door Engine Window regulator 2-pole	rhd	1	PR:099,680
1	991 622 615 06	Wire set Assembly frame Driver's door Engine Window regulator 2-pole	lhd	1	PR:098,682
1	991 622 615 56	Wire set Assembly frame Driver's door Engine Window regulator 2-pole	rhd	1	PR:099,682
1	991 612 614 06	Wire set Assembly frame Passenger's door Engine Window regulator 2-pole	lhd	1	PR:098,680
1	991 612 614 56	Wire set Assembly frame Passenger's door Engine Window regulator 2-pole	rhd	1	PR:099,680
1	991 612 616 06	Wire set Assembly frame Passenger's door Engine Window regulator 2-pole	lhd	1	PR:098,682
1	991 612 616 56	Wire set Assembly frame Passenger's door Engine Window regulator 2-pole	rhd	1	PR:099,682
2	991 612 681 06	Wire set door panel Driver's door		1	
(2)	991 612 674 06	Wire set door panel Passenger's door		1	
3	4H0 959 793 P	Door control unit		1	

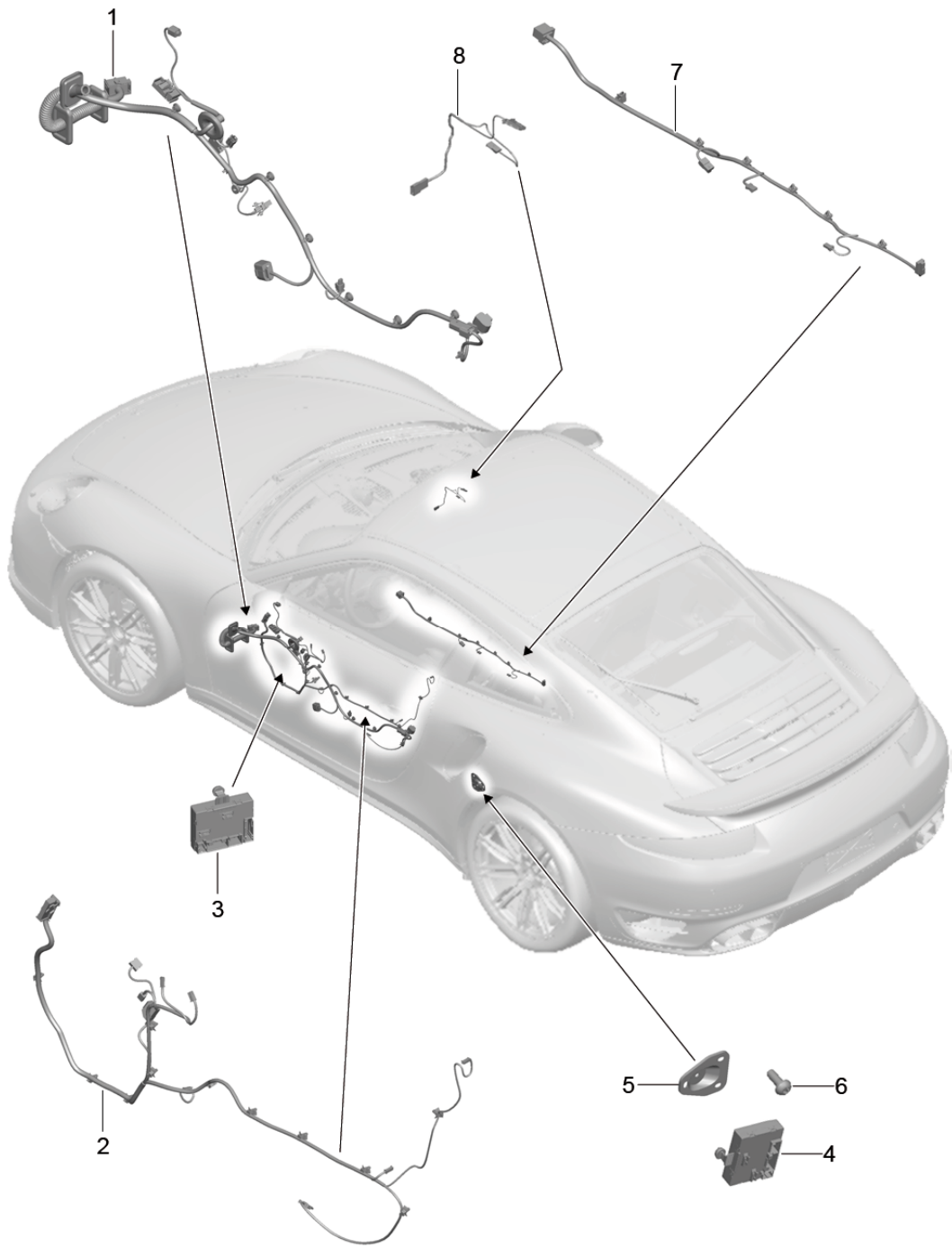
Model: 991T13

Model life 2014&gt;&gt;

Pos	Part Number	Description	Remark	Qty	Model
(3)	4H0 959 792 M	Driver's door Door control unit		1	
4	7PP 959 795 AG	Passenger's door Control unit for window regulator	rear	2	CABRIO
5	991 618 511 01	Bracket Control unit Window regulator	rear	2	CABRIO
6	N 911 266 01	Oval hexagon socket head bolt M 6 X 16		2	CABRIO
7	991 612 757 01	Wire set Centre console		1	
8	991 612 701 00	Wire set Glove box		1	
-		Wire set Convertible top control see illustration:	811-025	1	CABRIO

Model: 991T13

Model life 2014>>



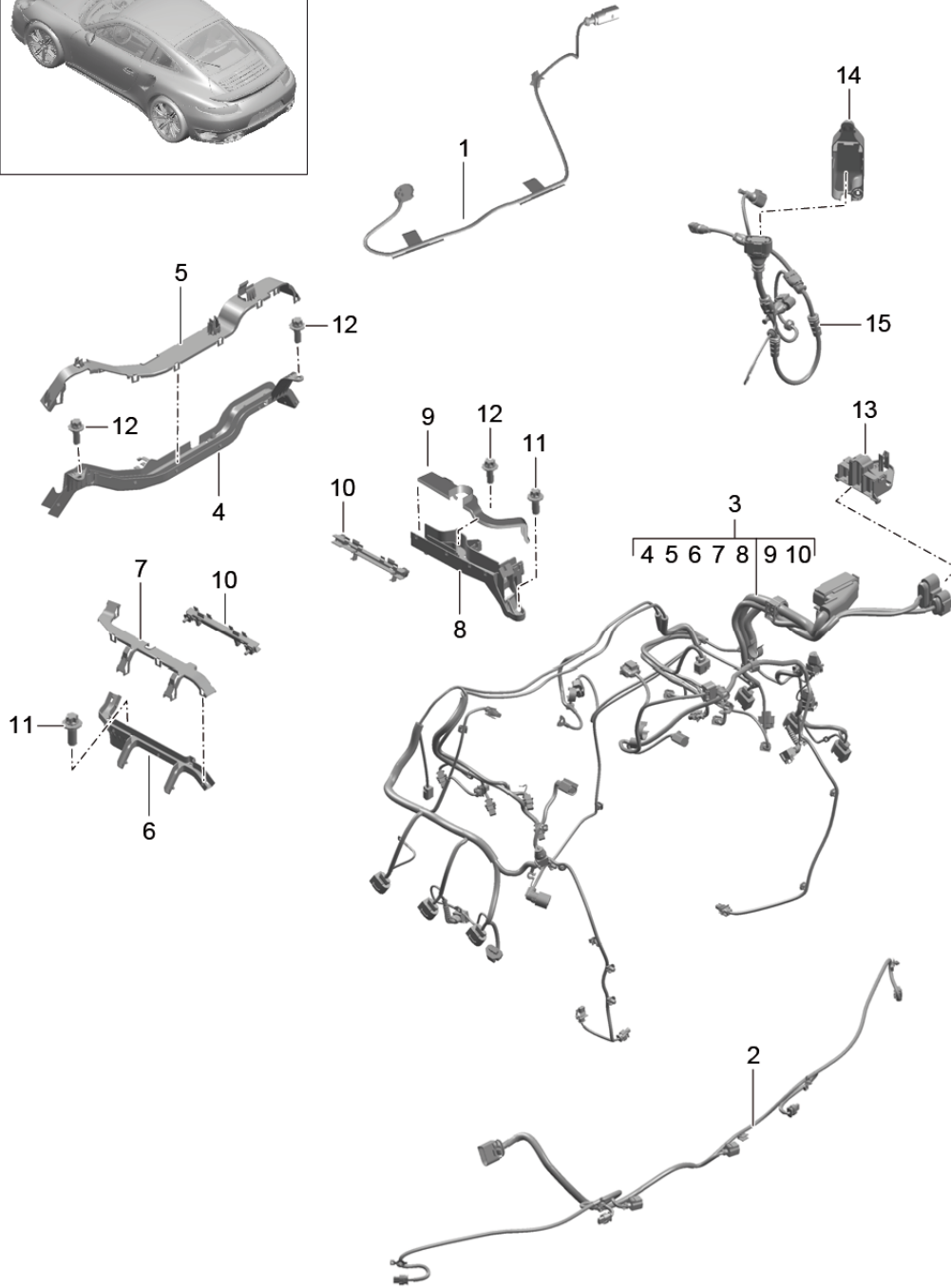
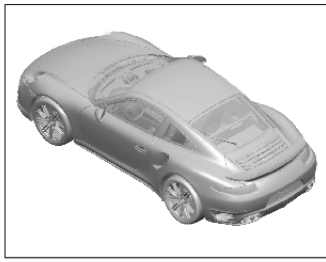
Model: 991T13

Model life 2014>>

Pos	Part Number	Description	Remark	Qty	Model
		Wiring looms doors Centre console Control unit doors Convertible top control D - MJ 2017>>			
1	9P3 971 029 AD	Wire set Assembly frame Driver's door	lhd	1	PR:098,250, 9VL
1	9P3 971 029 AE	Wire set Assembly frame Driver's door	lhd	1	PR:098,250, 9VJ
1	9P3 971 687 K	Wire set Assembly frame Passenger's door	lhd	1	PR:098,9VL
1	9P3 971 687 L	Wire set Assembly frame Passenger's door	lhd	1	PR:098,9VJ
1	9P4 971 030 AD	Wire set Assembly frame Driver's door	rhd	1	PR:099,250, 9VL
1	9P4 971 030 AE	Wire set Assembly frame Driver's door	rhd	1	PR:099,250, 9VJ
1	9P4 971 688 K	Wire set Assembly frame Passenger's door	rhd	1	PR:099,9VL
1	9P4 971 688 L	Wire set Assembly frame Passenger's door	rhd	1	PR:099,9VJ
2	9P1 971 035 G	Wire set door panel Driver's door		1	
(2)	9P1 971 036 C	Wire set door panel Passenger's door		1	
3	4H0 959 793 AC	Door control unit (drivers side)	front	1	
(3)	4H0 959 792 S	Door control unit Passenger's door		1	
4	7PP 959 795 AG	Control unit for window regulator	rear	2	CABRIO
5	991 618 511 01	Bracket Control unit Window regulator	rear	2	CABRIO
6	N 911 266 01	Oval hexagon socket head bolt M 6 X 16		2	CABRIO
7	9P1 971 641 C	Wire set Centre console		1	PR:-NZ3
(7)	9P1 971 641 E	Wire set Centre console		1	PR:NZ3
8	991 612 701 00	Wire set Glove box		1	
-		Wire set Convertible top control see illustration:	811-025	1	CABRIO

Model: 991T13

Model life 2014>>





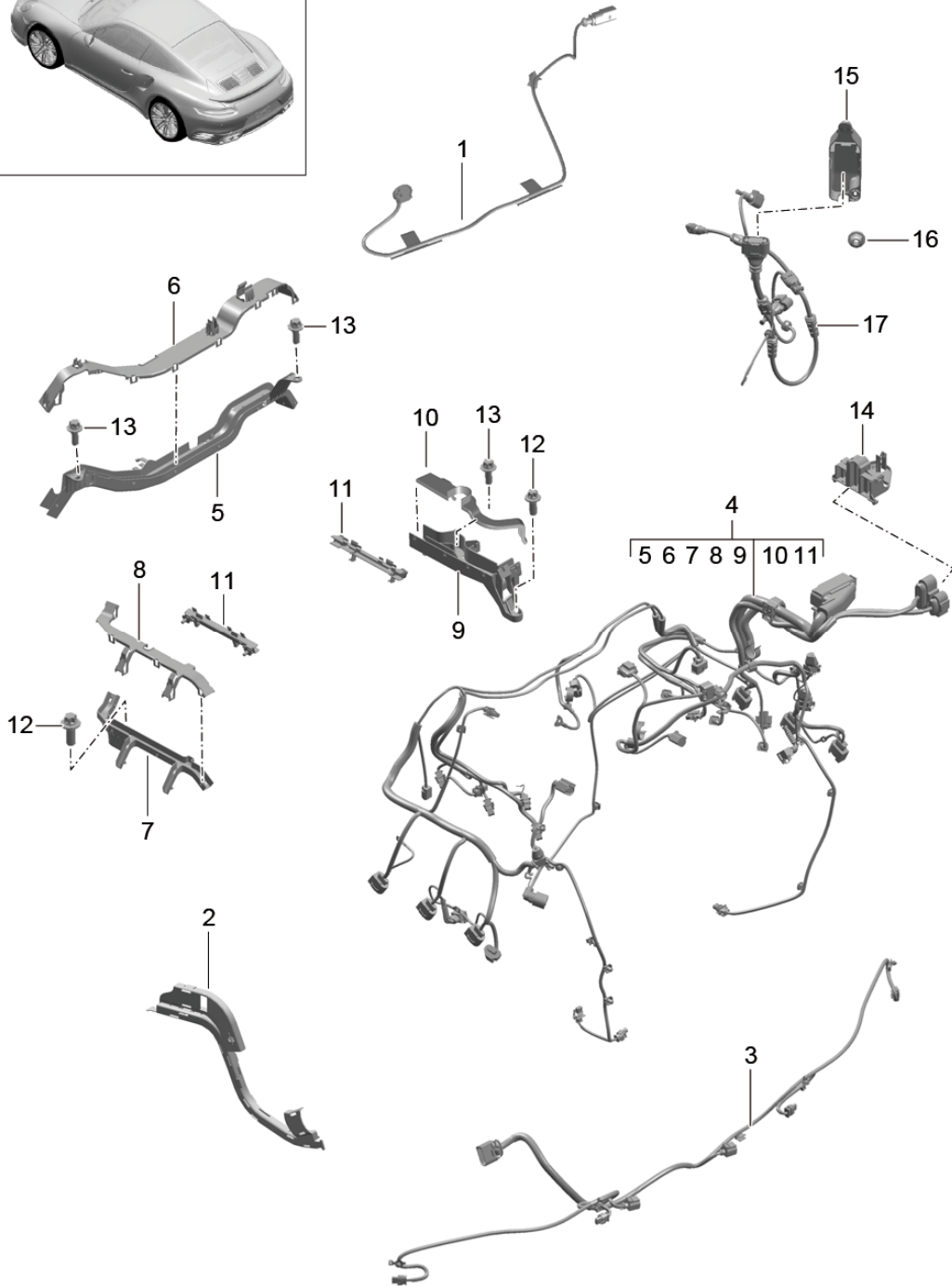
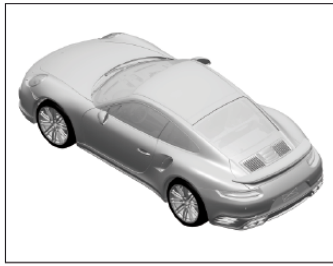
Model: 991T13

Model life 2014>>

Pos	Part Number	Description	Remark	Qty	Model
		Wiring looms	rear		
		Assembly frame			
		Additional brake light			
		Trim			
		Engine			
		Rear axle			
		D >> - MJ 2016			
1	991 622 883 00	Wire set		1	
		Additional brake light			
-	991 610 241 00	Cable guide		1	
		Wire set			
		Assembly frame			
2	991 622 895 03	Wire set	rear	1	PR:635,636
		Trim			
		D >> - MJ 2016			
2	991 622 895 51	Wire set	rear	1	PR:638
		Trim			
		D >> - MJ 2016			
3	9A1 607 095 01	Wire set		1	PR:475
		Engine			
3	9A1 607 095 02	Wire set		1	PR:IY2,475
		Engine			
		D - MJ 2015>>			
3	9A1 607 095 41	Wire set		1	PR:352
		Engine			
3	9A1 607 095 42	Wire set		1	PR:352,IY2
		Engine			
		D - MJ 2015>>			
4	9A1 607 110 00	Cable guide		1	
		Crankcase housing			
5	9A1 607 120 02	Cover		1	
		Cable guide			
6	9A1 607 175 00	Cable guide		1	
			cylinders 1-3		
7	9A1 607 185 00	Cover		1	
		Cable guide			
8	9A1 607 176 00	Cable guide		1	
			cylinders 4-6		
9	9A1 607 186 00	Cover		1	
		Cable guide			
10	9A1 607 113 00	Cable guide		2	
		Fuel collection pipe			
11	900 385 001 03	Torx screw		2	
		BM 8 X 20			
12	900 385 009 01	Torx screw		3	
		BM 6 X 16			
13	991 610 139 00	Bracket		1	
		Connection point			
		Wire set			
		Engine			
14	991 610 135 00	Cover		2	
		Connection point			
		Wire set			
		Rear axle			
-	999 049 033 40	Plastic nut		4	
		T 6			
15	991 609 135 00	Wire set	left	1	PR:352,475
		Rear axle			
-		Wire set			
		Front axle			
		see illustration:	902-010		

Model: 991T13

Model life 2014>>



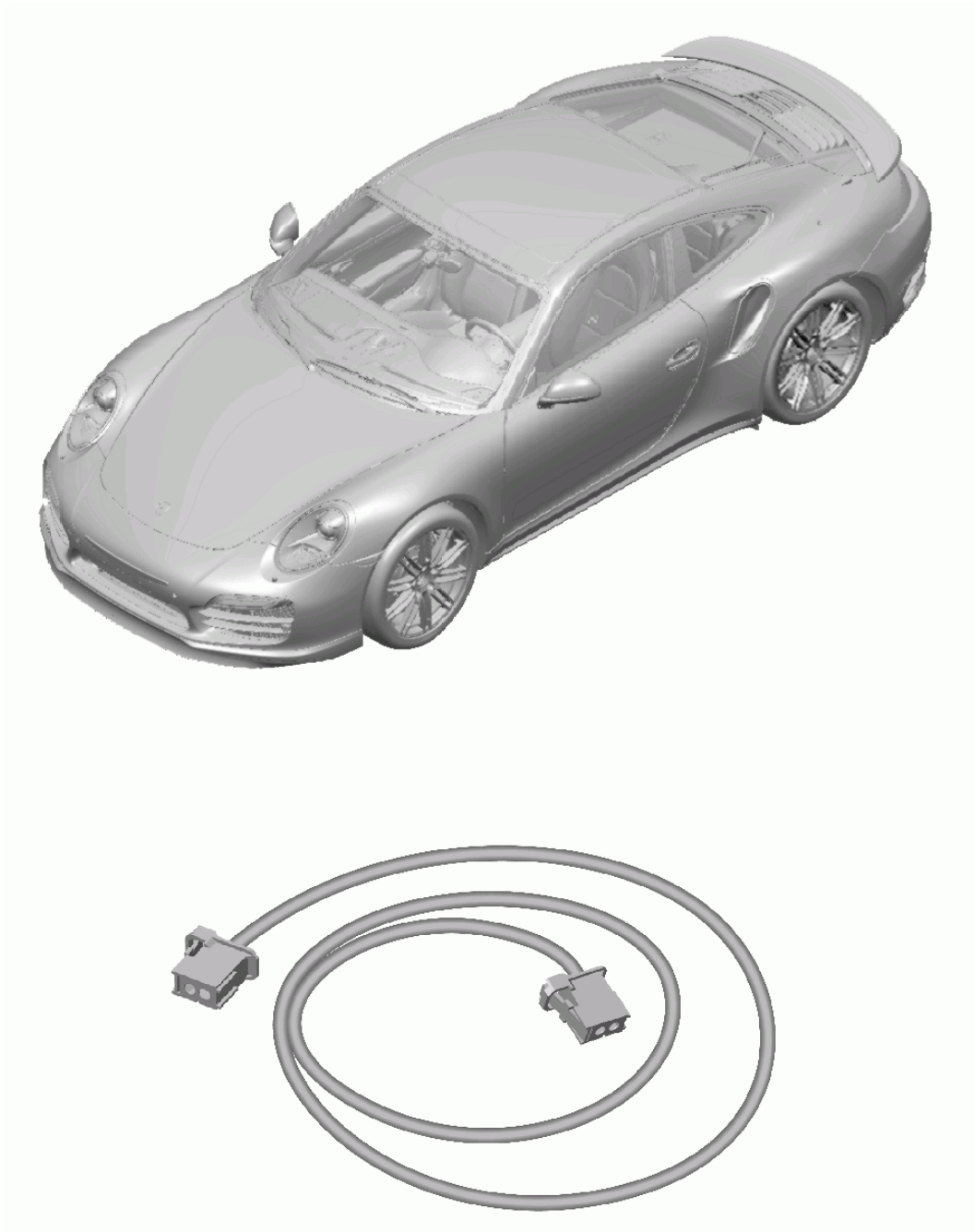
Model: 991T13

Model life 2014>>

Pos	Part Number	Description	Remark	Qty	Model
		Wiring looms	rear		
		Assembly frame			
		Additional brake light			
		Trim			
		Engine			
		Rear axle			
		D - MJ 2017>>			
1	991 622 883 00	Wire set		1	
		Additional brake light			
2	991 610 241 00	Cable guide		1	
		Wire set			
		Assembly frame			
3	9P1 971 188	Wire set	rear	1	PR:636
		Trim			
		D - MJ 2017>>			
(3)	9P1 971 188 B	Wire set	rear	1	PR:638
		Trim			
		D - MJ 2017>>			
4	9A1 607 098 02	Wire set		1	PR:475
		Engine			
(4)	9A1 607 098 42	Wire set		1	PR:352
		Engine			
5	9A1 607 110 00	Cable guide		1	
		Crankcase housing			
6	9A1 607 120 02	Cover		1	
		Cable guide			
7	9A1 607 175 00	Cable guide		1	
			cylinders 1-3		
8	9A1 607 185 00	Cover		1	
		Cable guide			
9	9A1 607 176 00	Cable guide		1	
			cylinders 4-6		
10	9A1 607 186 00	Cover		1	
		Cable guide			
11	9A1 607 113 00	Cable guide		2	
		Fuel collection pipe			
12	900 385 001 03	Torx screw		2	
		BM 8 X 20			
13	900 385 009 01	Torx screw		3	
		BM 6 X 16			
14	9P1 907 179	Bracket		1	
		Connection point			
		Wire set			
		Engine			
15	991 610 135 00	Cover		2	
		Connection point			
		Wire set			
		Rear axle			
16	999 049 033 40	Plastic nut		4	
		T 6			
17	991 609 143 00	Wire set	left	1	
		Rear axle	right		
		and			
-		Wire set			
		Front axle			
		see illustration:	902-010		

Model: 991T13

Model life 2014>>



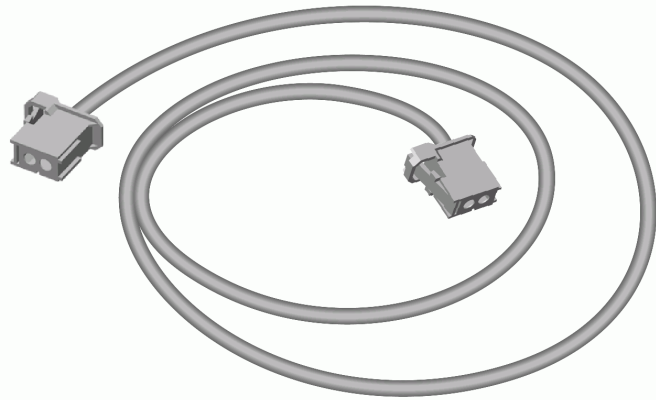
Model: 991T13

Model life 2014>>

Pos	Part Number	Description	Remark	Qty	Model
-	991 622 801 00	fibre optic wave conductor D >> - MJ 2016 fibre optic wave conductor Module	lhd	1	PR:098,665, 680,682,-676
-	991 622 801 50	fibre optic wave conductor Module	rhd	1	PR:099,665, 680,682,-676
-	991 622 802 00	fibre optic wave conductor Module	lhd	1	PR:098,665, 676,680,682
-	991 622 802 50	fibre optic wave conductor Module	rhd	1	PR:099,665, 676,680,682

Model: 991T13

Model life 2014>>



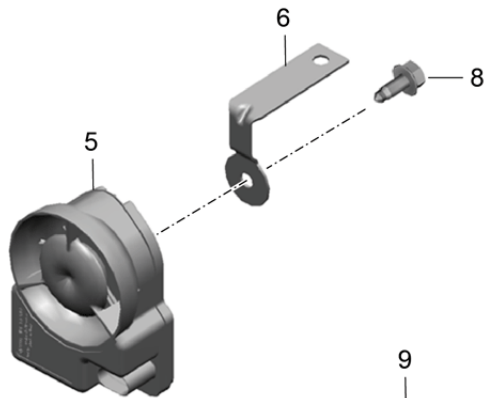
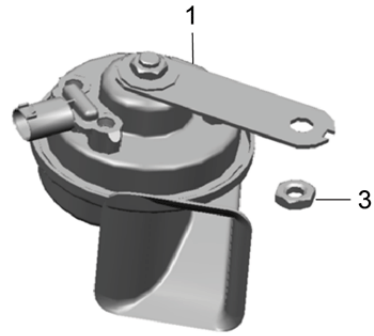
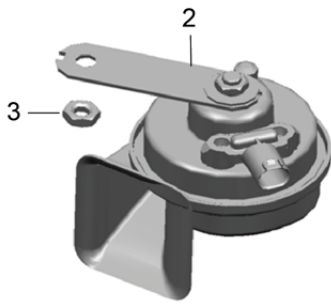
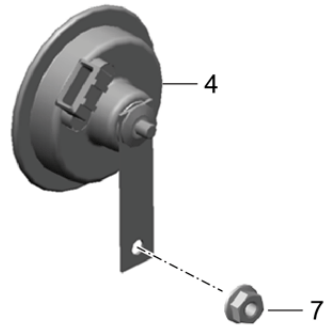
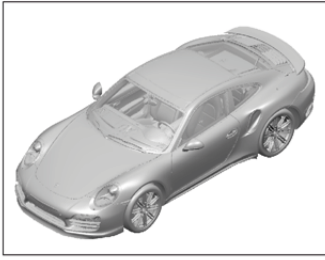
Model: 991T13

Model life 2014>>

Pos	Part Number	Description	Remark	Qty	Model
-	991 612 082 00	Wiring looms Airbag Seat belt Wire set Airbag unit (passenger side) Setting 1 To Connection point dashboard Connector Light green		1	
-	991 612 083 00	Wire set Airbag unit (passenger side) Setting2 To Connection point dashboard Connector yellow		1	
-	991 612 090 00	Wire set Airbag unit Driver's door To Connection point Door		1	
-	991 612 091 00	Wire set Airbag unit Passenger's door To Connection point Door		1	
-	991 612 094 00	Wire set roll bar To Control unit Airbag	left	1	CABRIO
-	991 612 095 00	Wire set roll bar To Control unit Airbag	right	1	CABRIO
-	991 612 084 01	Wire set Seat belt tensioner (drivers side) To Control unit Airbag Connector yellow		1	
-	991 612 085 51	Wire set Seat belt tensioner (passenger side) To Control unit Airbag Connector yellow		1	

Model: 991T13

Model life 2014>>





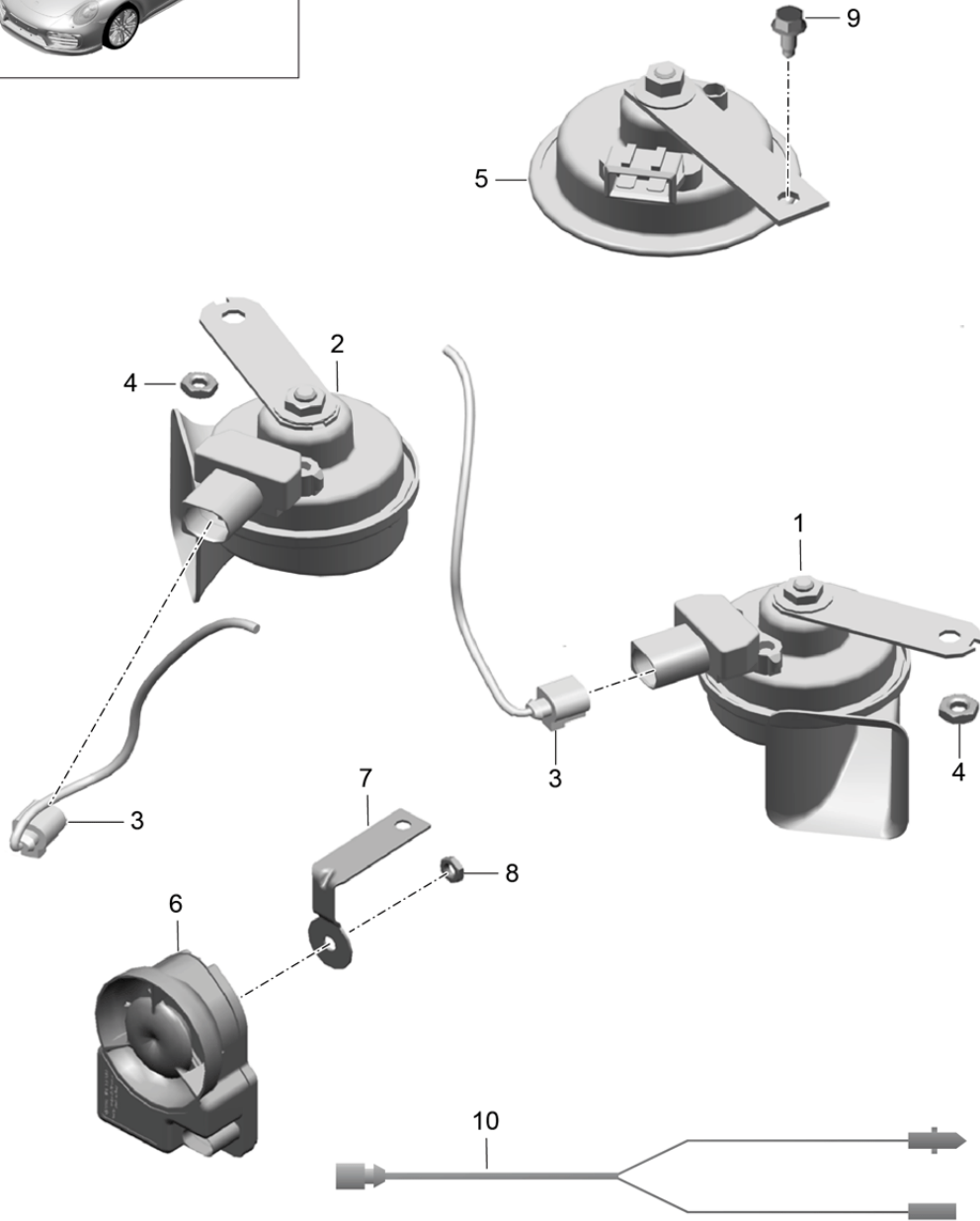
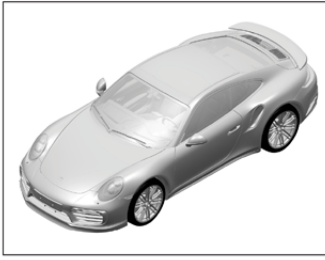
Model: 991T13

Model life 2014>>

Pos	Part Number	Description	Remark	Qty	Model
1	991 635 149 01	Fanfare Signal horn alarm system D >> - MJ 2016 Fanfare High-pitched		1	
(1)	991 635 159 00	Fanfare High-pitched with:		1	
2	991 635 150 01	Fanfare Low-pitched with: also use:	991 612 947 00	1	
(2)	991 635 160 00	Fanfare Low-pitched with:		1	
-	991 612 947 00	Adapter cable for 991 635 159 00 991 635 160 00 with: also use:	991 612 947 00	1	
3	N 106 092 04	Hexagon collar nut M 8		2	
4	9P1 951 101	Signal horn for alarm system use if required:	9P1 998 003 A	1	
5	1K8 951 605 B	Alarm horn		1	
6	991 637 419 01	Bracket		1	
7	N 902 955 02	Hexagon collar nut M 8		1	
8	900 378 176 01	Hexagon bolt M 8 X 20		1	
9	9P1 998 003 A	Wire set Modification kit Signal horn		1	

Model: 991T13

Model life 2014>>



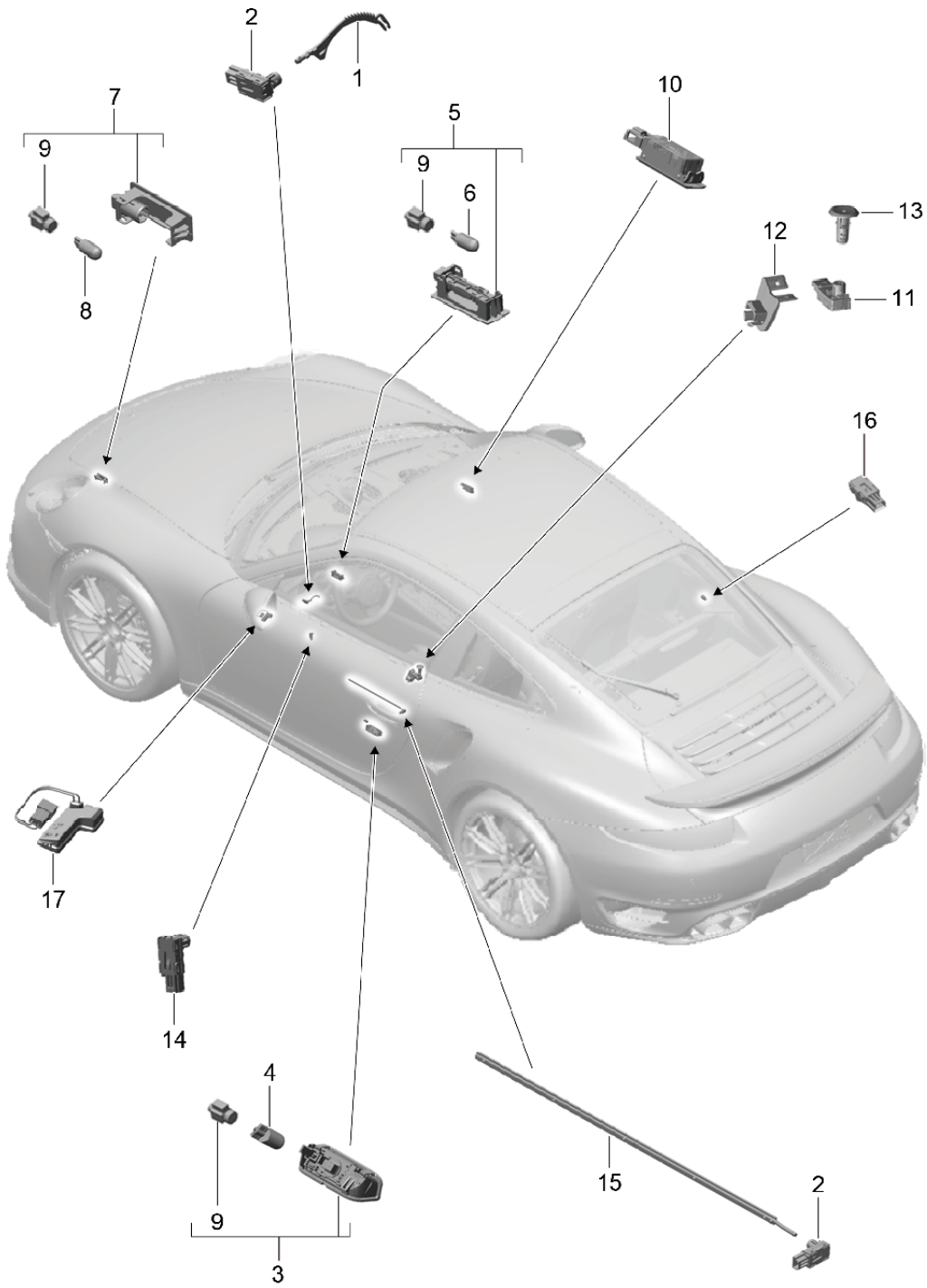
Model: 991T13

Model life 2014>>

Pos	Part Number	Description	Remark	Qty	Model
(1)	991 635 159 01	Fanfare Signal horn alarm system D - MJ 2017>> Fanfare High-pitched		1	
(2)	991 635 160 01	Fanfare Low-pitched	with: also use: 991 612 947 00	1	
3	991 612 947 00	Adapter cable for 991 635 159 01 991 635 160 01	with: also use: 991 612 947 00	1	
4	N 106 092 04	Hexagon collar nut M 8		2	
5	9P1 951 101	Signal horn for alarm system		1	
6	1K8 951 605 B	Alarm horn		1	
7	991 637 419 01	Bracket		1	
8	N 902 955 02	Hexagon collar nut M 8		1	
9	900 378 176 01	Hexagon bolt M 8 X 20		1	

Model: 991T13

Model life 2014>>



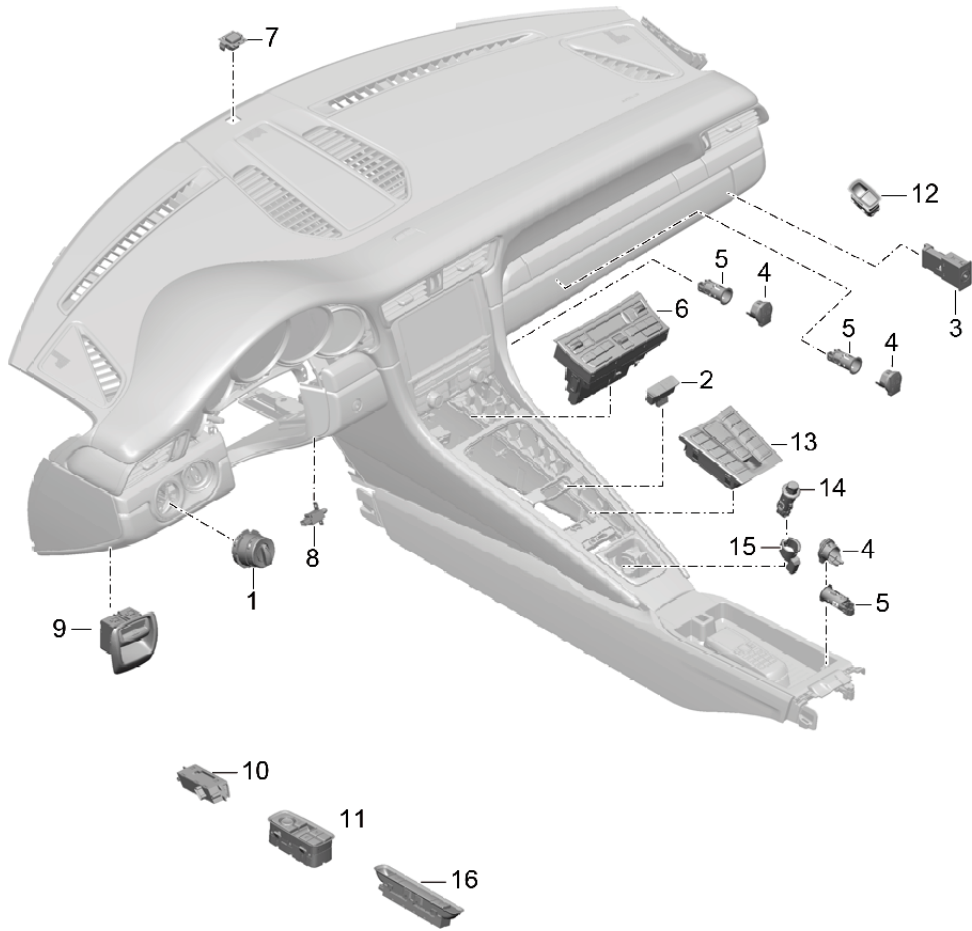
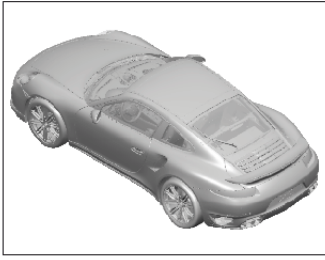
Model: 991T13

Model life 2014&gt;&gt;

Pos	Part Number	Description	Remark	Qty	Model
-		Interior lights Door warning light Footwell light Luggage compartment lamp Glove box light Light Exterior mirror interior light			
		see illustration:	903-006		
1	991 632 131 00	fibre optic conductor	lhd	1	PR:098
(1)	991 632 132 00	Ignition/starter switch fibre optic conductor	rhhd	1	PR:099
2	7PP 947 101	Light		4	
3	970 632 135 01	Door warning light		2	
4	999 631 032 90	bulb 5 W		2	
5	991 632 024 00	Footwell light		2	PR:-630
(5)	991 632 133 00	Footwell light Included LED module		2	PR:630
6	999 631 040 90	bulb 5 W		2	PR:-630
7	991 632 020 00	Light		1	PR:-630
(7)	991 632 137 00	Luggage compartment Light Included LED module		1	PR:630
8	999 631 134 90	Luggage compartment bulb X6 W		1	PR:-630
9	970 632 187 00	Bulb holder		5	PR:-630
10	991 632 071 00	Glove box light		1	
11	991 616 115 00	warning lamp Immobiliser Door		2	PR:625
12	991 616 119 00	Bracket		2	PR:625
13	991 616 117 00	Sleeve		2	PR:625
	991 616 117 00 1E0	Black	-AZ, BR, BL, BA, BQ		
	991 616 117 00 6L0	Platinum Grey	-CZ		
	991 616 117 00 4H0	Luxor beige	-UZ		
	991 616 117 00 2F0	yachting blue	-EZ		
	991 616 117 00 OP1	agate grey	-DK, BV		
	991 616 117 00 7N0	Espresso	-NE, BH		
	991 616 117 00 OW5	Carrera Red	-NG		
14	991 632 085 00	Door handle light	left	1	PR:630
(14)	991 632 086 00	Door handle light	right	1	PR:630
15	991 632 189 00	fibre optic conductor	left	1	PR:630
(15)	991 632 190 00	Stowage compartment fibre optic conductor	right	1	PR:630
16	991 632 075 00	Stowage compartment Light	rear	2	PR:630
17	991 631 611 01	Trim Light	left	1	PR:258, 259,
(17)	991 631 612 01	Exterior mirror Light Exterior mirror	right	1	260, 261 PR:258, 259, 260, 261

Model: 991T13

Model life 2014>>



Model: 991T13

Model life 2014>>

Pos	Part Number	Description	Remark	Qty	Model
1	970 613 533 07	Switch Control panel		1	
	970 613 533 07 DML	Air conditioning switch for lighting			
2	991 613 332 00	Matt Black/hi-gloss chrome Combined switch		1	
		Hazard warning light sw. Central locking system			
3	991 613 332 00 A05	Matt black		1	PR:899
	958 613 165 00	Switch			
4	997 652 104 00	Airbag clamping ring		3	
		with:			
5	970 652 105 00	Cover		3	
6	991 653 201 15	Socket		1	PR:573,-342,-541
		Control panel			
		Air conditioning			
		D >> - MJ 2015			
6	991 653 201 15 DML	Matt Black/hi-gloss chrome		1	PR:573,-342,-541,IY1
	991 653 201 15	Control panel			
		Air conditioning			
		D - MJ 2015>> - MJ 2015			
6	991 653 201 15 DML	Matt Black/hi-gloss chrome		1	PR:573,-342,-541,IY2
	991 653 201 17	Control panel			
		Air conditioning			
		D - MJ 2015>> - MJ 2015			
6	991 653 201 17 DML	Matt Black/hi-gloss chrome		1	PR:573,-342,-541
	991 653 201 17	Control panel			
		Air conditioning			
		D - MJ 2016>> - MJ 2016			
6	991 653 201 17 DML	Matt Black/hi-gloss chrome		1	PR:573,-342,-541
	9P1 907 039 J	Control panel			
		Air conditioning			
		D - MJ 2017>>			
(6)	9P1 907 039 J DML	Matt Black/hi-gloss chrome		1	PR:342,573,-541
	991 653 203 15	Control panel			
		Air conditioning			
		D >> - MJ 2015			
(6)	991 653 203 15 DML	Matt Black/hi-gloss chrome		1	PR:342,573,-541,IY1
	991 653 203 15	Control panel			
		Air conditioning			
		D - MJ 2015>> - MJ 2015			
(6)	991 653 203 15 DML	Matt Black/hi-gloss chrome		1	PR:342,573,-541,IY2
	991 653 203 17	Control panel			
		Air conditioning			
		D - MJ 2015>> - MJ 2015			
(6)	991 653 203 17 DML	Matt Black/hi-gloss chrome		1	PR:342,573,-541
	991 653 203 17	Control panel			
		Air conditioning			
		D - MJ 2016>> - MJ 2016			
(6)	991 653 203 17 DML	Matt Black/hi-gloss chrome		1	PR:342,573,-541
	9P1 907 039 K	Control panel			
		Air conditioning			
		D - MJ 2017>>			
(6)	9P1 907 039 K DML	Matt Black/hi-gloss chrome		1	PR:342,573,541
	991 653 205 15	Control panel			
		Air conditioning			
		D >> - MJ 2015			
(6)	991 653 205 15 DML	Matt Black/hi-gloss chrome		1	PR:342,573,541,IY1
	991 653 205 15	Control panel			
		Air conditioning			
		D - MJ 2015>> - MJ 2015			
	991 653 205 15 DML	Matt Black/hi-gloss chrome			

Model: 991T13 Model life 2014>>

Pos	Part Number	Description	Remark	Qty	Model
(6)	991 653 205 17	Control panel Air conditioning D - MJ 2015>> - MJ 2015		1	PR:342,573, 541,IY2
(6)	991 653 205 17 DML 991 653 205 17	Matt Black/hi-gloss chrome Control panel Air conditioning D - MJ 2016>> - MJ 2016		1	PR:342,573, 541
(6)	991 653 205 17 DML 9P1 907 039 L	Matt Black/hi-gloss chrome Control panel Air conditioning D - MJ 2017>>		1	PR:342,541, 573
7	9P1 907 039 L DML 991 653 243 00	Matt Black/hi-gloss chrome Sun sensor Air conditioning		1	PR:573
8	991 653 241 02	Temperature sensor	inner	1	PR:573
-	999 919 167 09	fillister hd. bolt 3,0 X 10,0		2	PR:573
9	991 613 251 00	Switch Electric parking brake		1	
10	991 613 251 00 1E0 970 613 103 50	Black Memory switch		1	PR:537
(10)	970 613 103 50 DML 970 613 104 50	Matt Black/hi-gloss chrome Memory switch		1	PR:538
11	970 613 104 50 DML 991 613 151 02	Matt Black/hi-gloss chrome Switch for electric window regulator		1	COUPE PR:254,255, 256,257
(11)	991 613 151 02 DML 991 613 153 02	Exterior mirror (drivers side) Matt Black/hi-gloss chrome Switch for electric window regulator		1	CABRIO PR:254,255, 256,257
(11)	991 613 153 02 DML 991 613 155 02	Exterior mirror (drivers side) Matt Black/hi-gloss chrome Switch for electric window regulator		1	COUPE PR:258,259, 260,261
(11)	991 613 155 02 DML 991 613 157 02	Exterior mirror (drivers side) Matt Black/hi-gloss chrome Switch for electric window regulator		1	CABRIO PR:258,259, 260,261
12	991 613 157 02 DML 7PP 959 855 E	Exterior mirror (drivers side) Matt Black/hi-gloss chrome Switch for electric window regulator (passenger side)		1	
13	7PP 959 855 E DML 991 613 955 05	Matt Black/hi-gloss chrome Combined switch Centre console repair set D - MJ 2014>>		1	COUPE PR:652
(13)	991 613 955 05 DML 991 613 957 05	Matt Black/hi-gloss chrome Combined switch Centre console repair set D - MJ 2014>> - MJ 2016		1	COUPE PR:653
(13)	991 613 957 05 DML 991 613 957 50	Matt Black/hi-gloss chrome Combined switch		1	COUPE



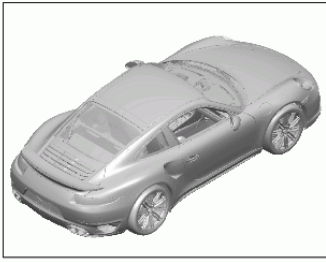
Model: 991T13

Model life 2014>>

Pos	Part Number	Description	Remark	Qty	Model
		Centre console repair set D - MJ 2017>>			PR:653
(13)	991 613 957 50 DML 991 613 959 05	Matt Black/hi-gloss chrome Combined switch Centre console repair set D - MJ 2014>> - MJ 2016		1	COUPE PR:651
(13)	991 613 959 05 DML 991 613 959 50	Matt Black/hi-gloss chrome Combined switch Centre console repair set D - MJ 2017>>		1	COUPE PR:651
(13)	991 613 959 50 DML 991 613 967 05	Matt Black/hi-gloss chrome Combined switch Centre console repair set D - MJ 2014>> - MJ 2016		1	CABRIO PR:552
(13)	991 613 967 05 DML 991 613 967 50	Matt Black/hi-gloss chrome Combined switch Centre console repair set D - MJ 2017>>		1	CABRIO PR:552
14	991 613 967 50 DML 970 652 101 00	Matt Black/hi-gloss chrome Cigarette lighter		1	PR:583
15	970 652 101 00 A05 7PP 919 341	Matt black Spring pin Headlight unit		1	PR:583
16	991 613 105 01 991 613 105 01 A05	Switch Cover Matt black	front and rear	1	

Model: 991T13

Model life 2014>>



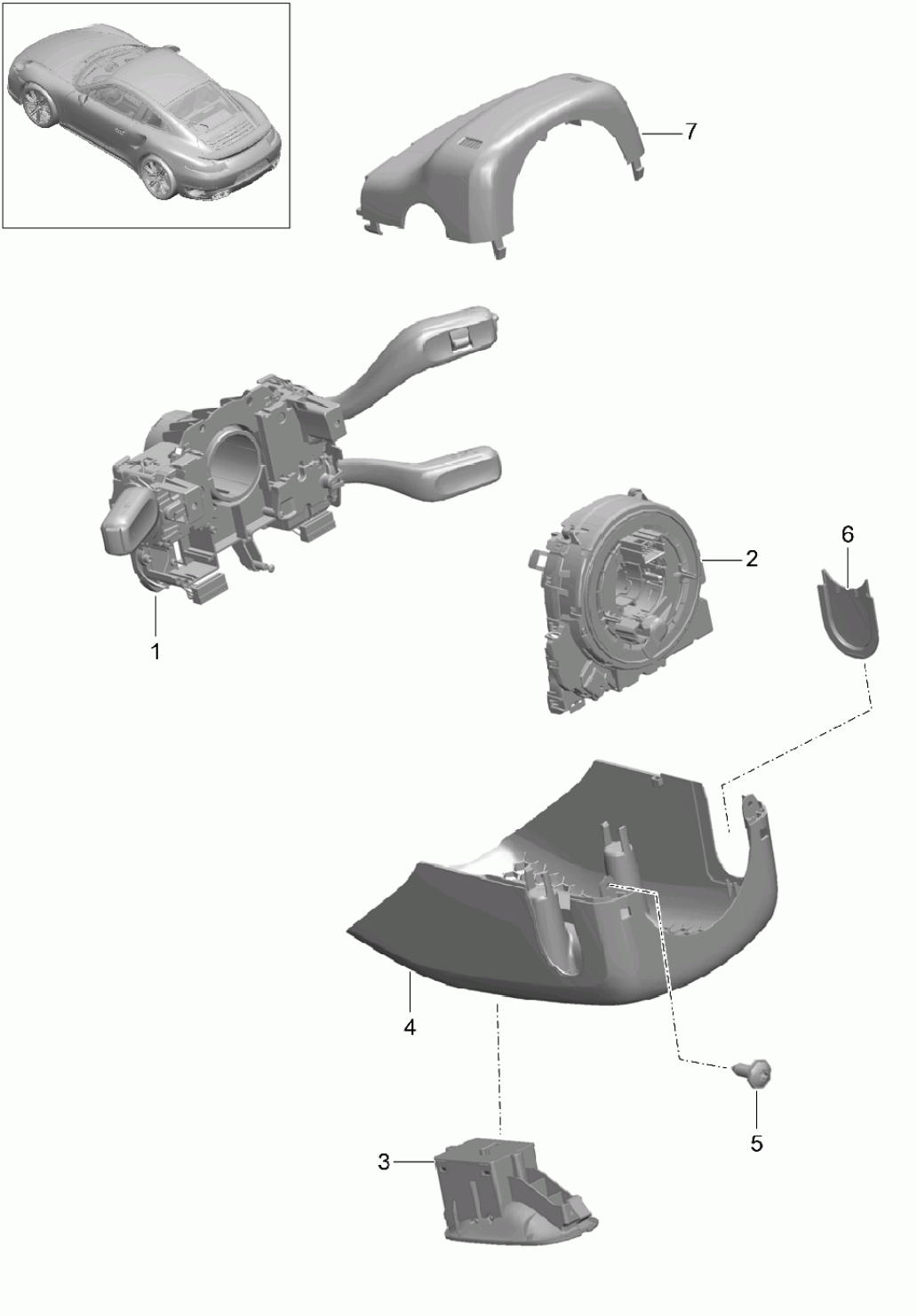
Model: 991T13

Model life 2014>>

Pos	Part Number	Description	Remark	Qty	Model
1	991 613 123 08	Console Roof Roof console		1	PR:-607, -608,-630, -636,-638
1	991 613 123 08 1E0 991 613 124 08	Black Roof console		1	PR:607,608, -630,-636, -638
1	991 613 124 08 1E0 991 613 134 08	Black Roof console		1	PR:636,-607, -608,-630, 638
1	991 613 134 08 1E0 991 613 135 08	Black Roof console		1	PR:607,608, 636,-630,638
1	991 613 135 08 1E0 991 613 223 08	Black Roof console		1	PR:630,-607, -608,-636, -638
1	991 613 223 08 1E0 991 613 224 08	Black Roof console		1	PR:607,608, 630,-636, -638
1	991 613 224 08 1E0 991 613 234 08	Black Roof console		1	PR:630,636, -607,-608, 638
1	991 613 234 08 1E0 991 613 235 08	Black Roof console		1	PR:607,608, 630,636,638
	991 613 235 08 1E0	Black			

Model: 991T13

Model life 2014>>



Model: 991T13

Model life 2014>>

Pos	Part Number	Description	Remark	Qty	Model
1	991 613 043 50	Steering column switch Steering column switch		1	PR:288,840, 841,-454, -671,-456
1	991 613 043 50 1E0 970 613 043 50	Black Steering column switch		1	PR:288,454, 840,841,-671
1	970 613 043 50 1E0 991 613 045 50	Black Steering column switch		1	PR:XHF,288, XHL,844, -454,-671, -456
(1)	991 613 045 50 1E0 970 613 045 50	Black Steering column switch		1	PR:XHF,288, 454,XHL,844, -671
(1)	970 613 045 50 1E0 970 613 047 50	Black Steering column switch		1	PR:288,456, 840,841,-671
(1)	970 613 047 50 1E0 970 613 049 50	Black Steering column switch		1	PR:XHF,XHL, 288,456,844, -671
(1)	970 613 049 50 1E0 991 613 051 50	Black Steering column switch		1	PR:288,671, 840,841, -454,-456
(1)	991 613 051 50 1E0 970 613 051 50	Black Steering column switch		1	PR:288,454, -489
(1)	970 613 051 50 1E0 991 613 053 50	Black Steering column switch		1	PR:XHF,288, 671,XHL,844, -454,-456
(1)	991 613 053 50 1E0 970 613 053 50	Black Steering column switch		1	PR:XHF,288, 454,671,XHL, 844
(1)	970 613 053 50 1E0 970 613 055 50	Black Steering column switch		1	PR:288,456, 671,840,841
(1)	970 613 055 50 1E0 970 613 057 50	Black Steering column switch		1	PR:XHF,XHL, 288,456,671, 844
(1)	970 613 057 50 1E0 991 613 059 50	Black Steering column switch		1	PR:288,425, 840,841, -454,-671, -456
(1)	991 613 059 50 1E0 970 613 059 50	Black Steering column switch		1	PR:288,425, 454,840,841, -671
(1)	970 613 059 50 1E0 991 613 061 50	Black Steering column switch		1	PR:XHF,288, 425,XHL,844, -454,-671, -456
(1)	991 613 061 50 1E0 970 613 061 50	Black Steering column switch		1	PR:XHF,288, 425,454,XHL, 844,-671

Model: 991T13 Model life 2014>>

Pos	Part Number	Description	Remark	Qty	Model
(1)	970 613 061 50 1E0 970 613 063 50	Black Steering column switch		1	PR:288,425, 456,840,841, -671
(1)	970 613 063 50 1E0 970 613 065 50	Black Steering column switch		1	PR:XHF,XHL, 288,425,456, 844,-671
(1)	970 613 065 50 1E0 991 613 067 50	Black Steering column switch		1	PR:288,425, 671,840,841, -454,-456
(1)	991 613 067 50 1E0 970 613 067 50	Black Steering column switch		1	PR:288,425, 454,671,840, 841
(1)	970 613 067 50 1E0 991 613 069 50	Black Steering column switch		1	PR:XHF,288, 425,671,XHL, 844,-454, -456
(1)	991 613 069 50 1E0 970 613 069 50	Black Steering column switch		1	PR:XHF,288, 425,454,671, XHL,844
(1)	970 613 069 50 1E0 970 613 071 50	Black Steering column switch		1	PR:288,425, 456,671,840, 841
(1)	970 613 071 50 1E0 970 613 073 50	Black Steering column switch		1	PR:XHF,XHL, 288,425,456, 671,844
2	970 613 073 50 1E0 7PP 953 568 BH	Black Control unit Steering column switch	with:	1	PR:840,841, -345,-639, -640,XLK,250
2	958 652 568 04	Spring steering sensor Control unit Steering column switch	D >> - MJ 2016 with:	1	PR:250,639, 640,840,XLK
2	958 652 568 04	Spring steering sensor Control unit Steering column switch	D >> - MJ 2016 with:	1	PR:844,-345
2	9A7 953 568 00	Spring steering sensor Control unit Steering column switch	with:	1	PR:-489
2	958 652 568 14	Spring steering sensor Control unit Steering column switch	D - MJ 2017>> with:	1	PR:XHL,345
		Spring steering sensor D >> - MJ 2016			

Model: 991T13

Model life 2014>>

Pos	Part Number	Description	Remark	Qty	Model
2	958 652 568 15	Discontinued part Control unit Steering column switch with: Spring steering sensor D >> - MJ 2016		1	PR:XHL,345
2	958 652 568 14	Control unit Steering column switch with: Spring steering sensor D >> - MJ 2016		1	PR:XHF,345
2	958 652 568 15	Discontinued part Control unit Steering column switch with: Spring steering sensor D >> - MJ 2016		1	PR:XHF,345
2	958 652 568 14	Control unit Steering column switch with: Spring steering sensor D >> - MJ 2016		1	PR:345,844
2	958 652 568 15	Discontinued part Control unit Steering column switch with: Spring steering sensor D >> - MJ 2016		1	PR:345,844
(2)	9A7 953 568 10	Control unit Steering column switch with: Spring steering sensor D - MJ 2017>>		1	PR:489
3	7PP 953 519 D	Switch for steering column adjustment		1	PR:648,656
4	7PP 953 519 D IVI 991 552 475 01	Matt black Switch housing	lower	1	PR:648,656, -XNS
(4)	991 552 475 01 1E0 991 552 983 01	Black Switch housing	lower	1	PR:XNS,648, 656,454,456, XLK
	991 552 983 01 A11	Leather Black	-AZ, BR, BL, BA, BQ		
	991 552 983 01 9B0	Platinum Grey	-CZ		
	991 552 983 01 7J0	Luxor beige	-UZ		
	991 552 983 01 6A0	yachting blue	-EZ		
	991 552 983 01 OA1	agate grey	-DK, BV		
	991 552 983 01 6J0	Espresso	-NE, BH		
	991 552 983 01 N12	Carrera Red	-NG		
(4)	991 552 983 01 DE1 991 552 983 03	Umber Switch housing	lower	1	PR:XNS,648, 656,-454, -456,XLK
	991 552 983 03 A11	Leather Black	-AZ, BR, BL, BA, BQ		
	991 552 983 03 9B0	Platinum Grey	-CZ		

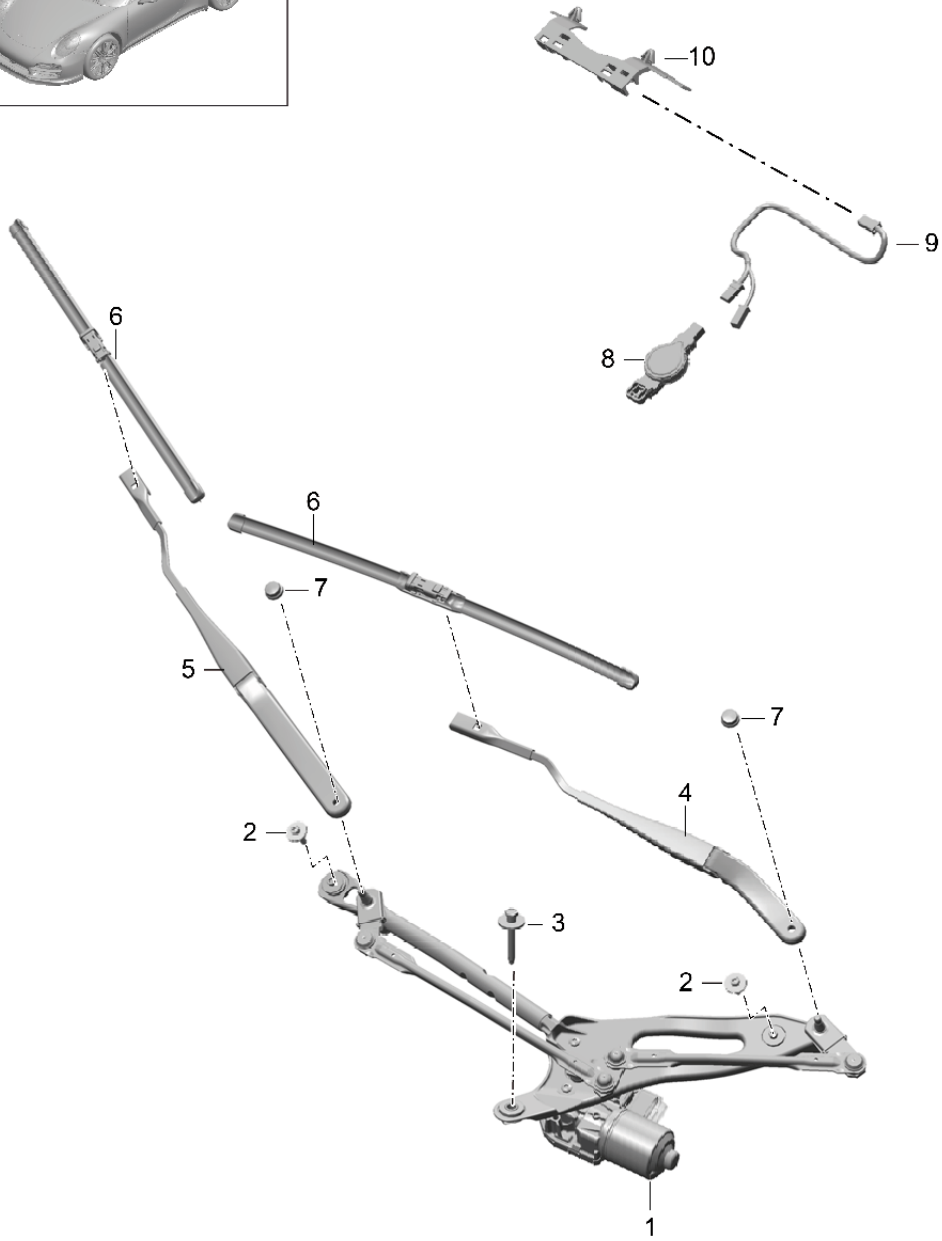
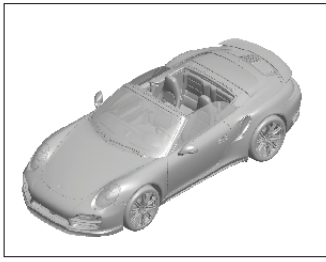
Model: 991T13 Model life 2014>>

Pos	Part Number	Description	Remark	Qty	Model
	991 552 983 03 7J0	Luxor beige	-UZ		
	991 552 983 03 6A0	yachting blue	-EZ		
	991 552 983 03 OA1	agate grey	-DK, BV		
	991 552 983 03 6J0	Espresso	-NE, BH		
	991 552 983 03 N12	Carrera Red	-NG		
(4)	991 552 983 03 DE1	Umber			
	991 552 983 05	Switch housing	lower	1	PR: XNS, XHF, XHL, 454, 456, 648, 656, 844
		Leather			
	991 552 983 05 A11	Black	-AZ, BR, BL, BA, BQ		
	991 552 983 05 9B0	Platinum Grey	-CZ		
	991 552 983 05 7J0	Luxor beige	-UZ		
	991 552 983 05 6A0	yachting blue	-EZ		
	991 552 983 05 OA1	agate grey	-DK, BV		
	991 552 983 05 6J0	Espresso	-NE, BH		
	991 552 983 05 N12	Carrera Red	-NG		
(4)	991 552 983 05 DE1	Umber			
	991 552 983 07	Switch housing	lower	1	PR: XNS, XHF, XHL, -454, -456, 648, 656, 844
		Leather			
	991 552 983 07 A11	Black	-AZ, BR, BL, BA, BQ		
	991 552 983 07 9B0	Platinum Grey	-CZ		
	991 552 983 07 7J0	Luxor beige	-UZ		
	991 552 983 07 6A0	yachting blue	-EZ		
	991 552 983 07 OA1	agate grey	-DK, BV		
	991 552 983 07 6J0	Espresso	-NE, BH		
	991 552 983 07 N12	Carrera Red	-NG		
	991 552 983 07 DE1	Umber			
5	999 073 155 09	panel screw ST 4,2 X 13		4	
6	991 552 675 00	Cover		1	PR: 454, 456, -XNS
	991 552 675 00 1E0	Black			
86)	991 552 675 00	Cover		2	PR: -454, -456, -XNS
	991 552 675 00 1E0	Black			
7	991 552 473 01	Switch housing	upper	1	PR: -XNS
	991 552 473 01 1E0	Black			
7	991 552 984 00	Switch housing	upper	1	PR: XNS
		Leather			
	991 552 984 00 A11	Black	-AZ, BR, BL, BA, 60, BQ		
	991 552 984 00 9B0	Platinum Grey	-CZ		
	991 552 984 00 7J0	Luxor beige	-UZ		
	991 552 984 00 6A0	yachting blue	-EZ		
	991 552 984 00 OA1	agate grey	-DK, BV		
	991 552 984 00 6J0	Espresso	-NE, BH		
	991 552 984 00 N12	Carrera Red	-NG		



Model: 991T13

Model life 2014>>



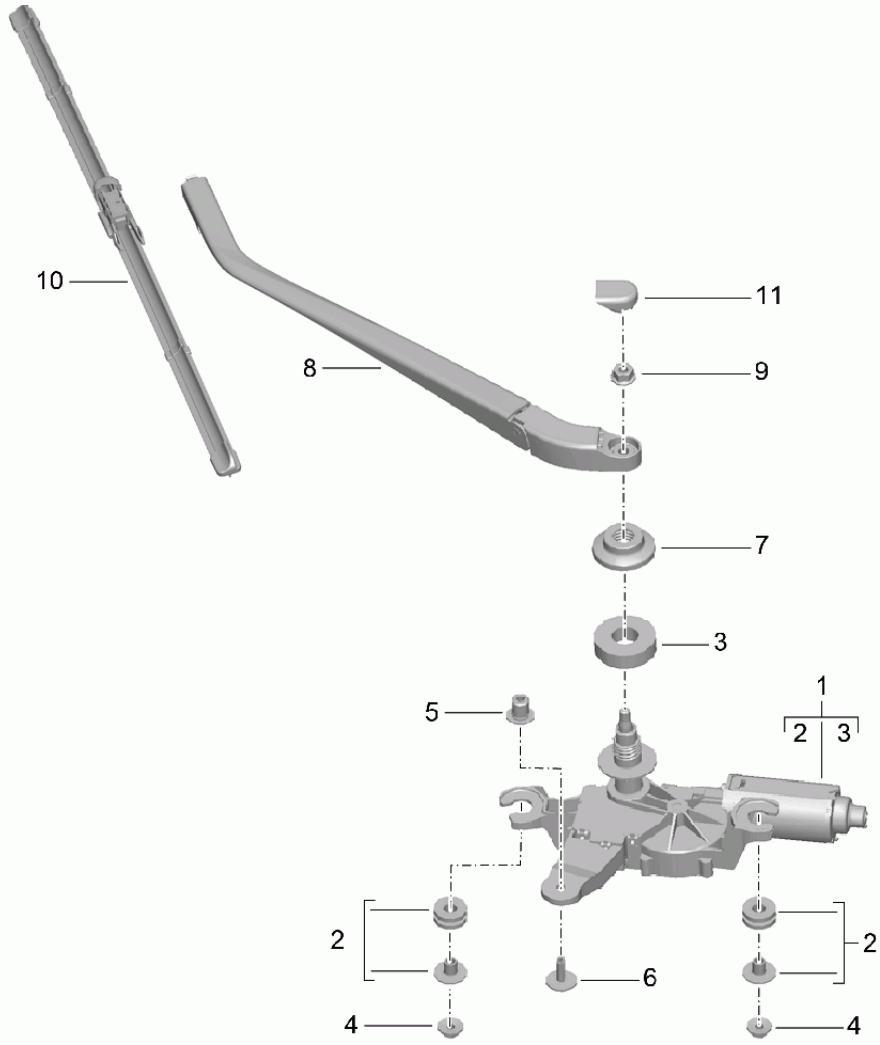
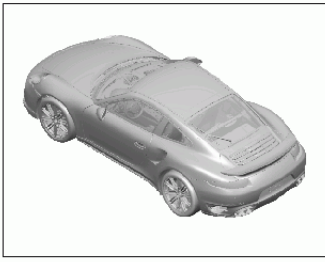
Model: 991T13

Model life 2014>>

Pos	Part Number	Description	Remark	Qty	Model
1	991 628 035 06	Windscreen wiper system, compl Rain sensor Wiper motor	lhd	1	PR:098
		with:			
1	991 628 036 06	Crank drive Wiper motor	rhd	1	PR:099
		with:			
2	900 387 017 02	Crank drive Bolt with washer M 6 X 25 SC		2	
3	999 141 302 02	Bolt with washer M 8 X 60		1	
4	991 628 121 01	Wiper arm (drivers side)	lhd	1	PR:098
(4)	991 628 131 02	Wiper arm (passenger side)	rhd	1	PR:099
5	991 628 122 02	Wiper arm (passenger side)	lhd	1	PR:098
(5)	991 628 132 01	Wiper arm (drivers side)	rhd	1	PR:099
6	991 628 901 00	1 set: wiper blades (drivers side)	front LHD	1	PR:098
		(passenger side)			
(6)	991 628 903 00	1 set: wiper blades (drivers side)	front RHD	1	PR:099
		(passenger side)			
7	991 628 305 00	cap for wiper arm		2	
(7)	N 106 092 04	Hexagon collar nut Mount Wiper arm		2	
8	991 615 108 01	Rain sensor		1	
-	4E0 955 609	Gel foil for rain sensor (self-adhesive)		1	
9	991 612 691 00	Rain sensor Wire set		1	PR:-631, -632,-852
		Rain sensor D >> - MJ 2016			
9	991 612 691 50	Wire set Rain sensor		1	PR:631,632, 852
		D >> - MJ 2016			
9	9P1 971 103 A	Wire set Rain sensor		1	PR:631,632, 852
		D - MJ 2017>>			
10	991 610 119 00	Bracket Wire set Rain sensor		1	

Model: 991T13

Model life 2014>>



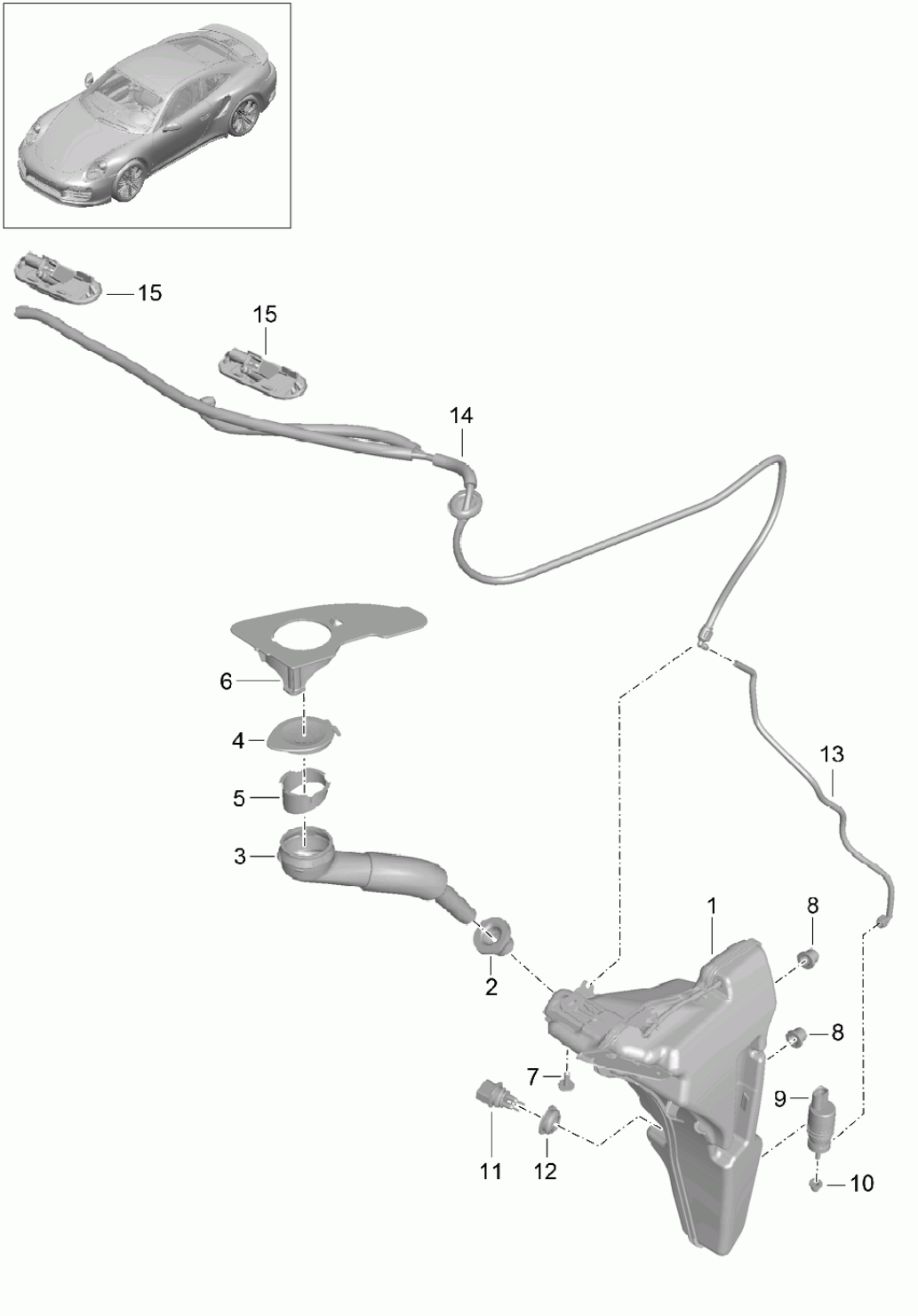
Model: 991T13

Model life 2014>>

Pos	Part Number	Description	Remark	Qty	Model
		Rear window wiper			PR:425
1	997 628 080 00	Wiper motor		1	PR:425
2	997 628 908 00	repair set		1	PR:425
-		comprising:			
-		Grommet		2	
-		bush		2	
3	997 628 910 00	seal ring		1	PR:425
4	999 076 078 01	Hexagon nut		2	PR:425
		M 6			
5	999 500 078 00	press insert nut		1	PR:425
6	999 073 468 01	Bolt with washer		1	PR:425
		M 6 X 22 SC			
7	997 628 273 00	Grommet		1	PR:425
8	991 628 181 01	Wiper arm		1	PR:425
9	N 106 092 04	Hexagon collar nut		1	PR:425
10	991 628 189 00	wiper blade	rear	1	PR:425
11	997 628 122 00	Cover cap		1	PR:425

Model: 991T13

Model life 2014>>



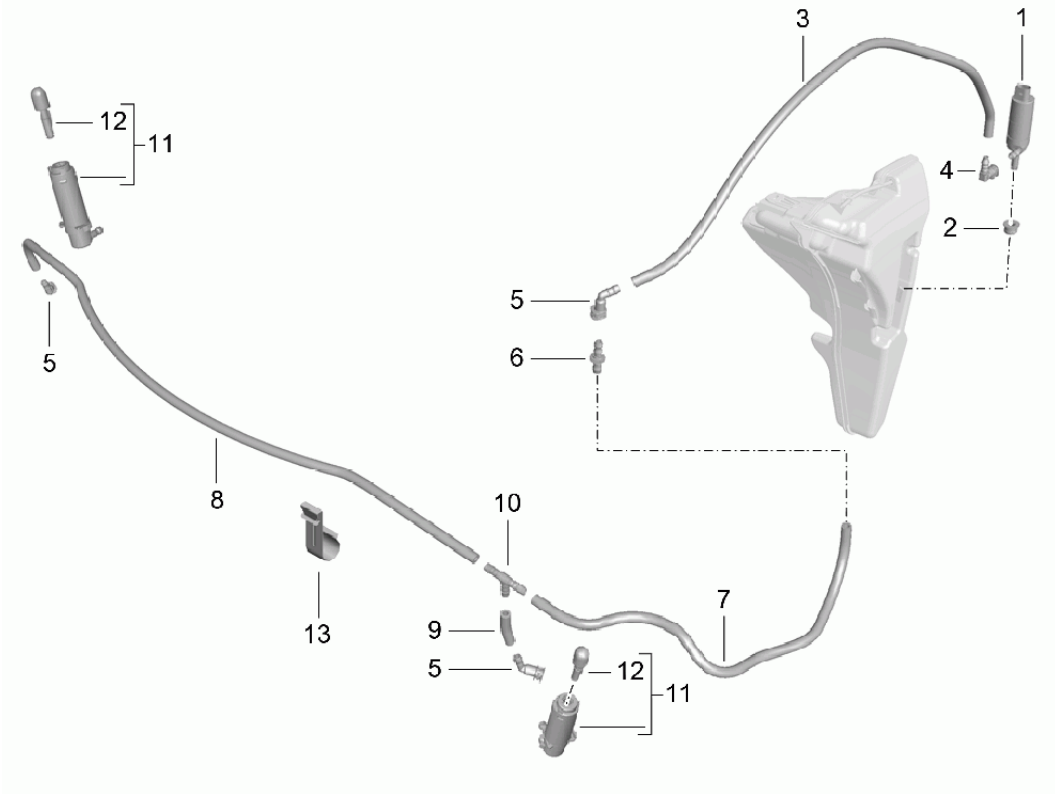
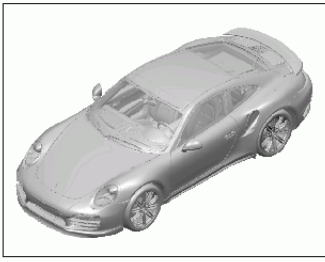
Model: 991T13

Model life 2014>>

Pos	Part Number	Description	Remark	Qty	Model
1	991 528 703 00	Windscreen washer system		1	PR:288
2	955 528 711 01	Water reservoir		1	
3	991 528 403 00	Seal		1	
4	991 528 403 00	fuel filler neck		1	
5	991 528 413 00	Cover		1	
6	8Z0 955 485	strainer		1	
7	991 528 503 01	Bracket for filler neck		1	
8	N 911 883 01	Hexagon socket head bolt		1	
9	M 6 X 20				
10	999 702 221 40	Grommet		2	
11	1K5 955 651	Windscreen washer system pump		1	
12	958 628 712 00	Seal		1	
13	955 628 105 00	Water level switch		1	
14	955 528 721 00	Seal		1	
15	991 628 669 00	Hose line for washer water Pump		1	
		also use:	991 511 65102 (1E0)	1	
			991 511 65202 (1E0)	1	
14	991 628 667 03	Line Connection point jet		1	
15	991 628 073 00	jet		2	
-	999 901 017 42	Window cleaning solution 250 ML	Summer	X	
-	999 901 033 40	Window cleaning solution 1000 ML	Summer	X	

Model: 991T13

Model life 2014>>



Model: 991T13

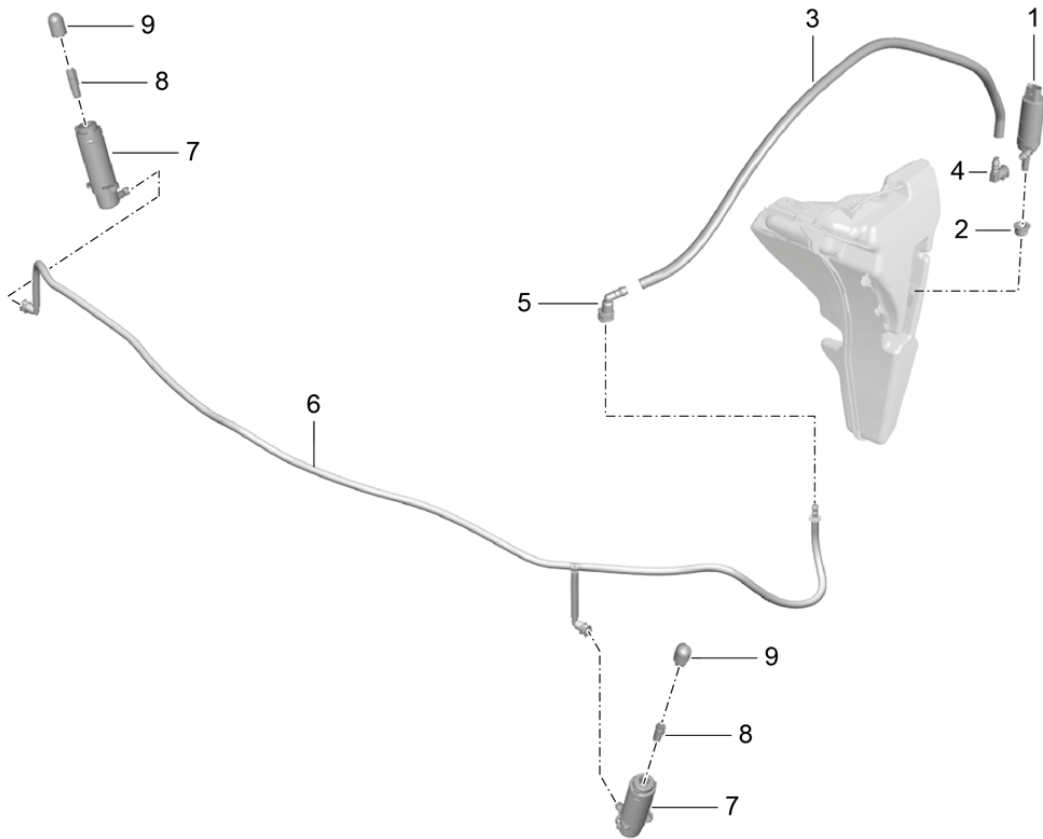
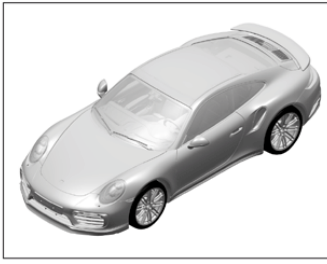
Model life 2014>>

Pos	Part Number	Description	Remark	Qty	Model
		Headlight washer system			PR:288
		D >> - MJ 2016			
1	958 624 502 00	Pump for headlight-washer system		1	PR:288
2	431 955 465 A	Seal		1	PR:288
-	000 043 204 79	Hose		*	PR:288
		8 X 3			
3		shorten to:	905 MM	1	
4	8E0 955 665	Elbow fitting		1	PR:288
5	997 628 205 00	Coupling		3	PR:288
6	991 628 208 01	Hose connector		1	PR:288
-	000 043 204 79	Hose		*	PR:288
		8 X 3			
7		shorten to:	620 MM	1	
8		shorten to:	1225 MM	1	
9		shorten to:	65 MM	1	
10	113 955 975 B	t-piece		1	PR:288
11	997 628 163 01	jet		2	PR:288
12	997 628 263 00	Nozzle head		2	PR:288
13	999 507 164 01	Cable fastener		7	PR:288
-	997 628 981 02	Cap		2	PR:288 ,XUB
		primed			
		for			
		POS 11 + 12			



Model: 991T13

Model life 2014>>



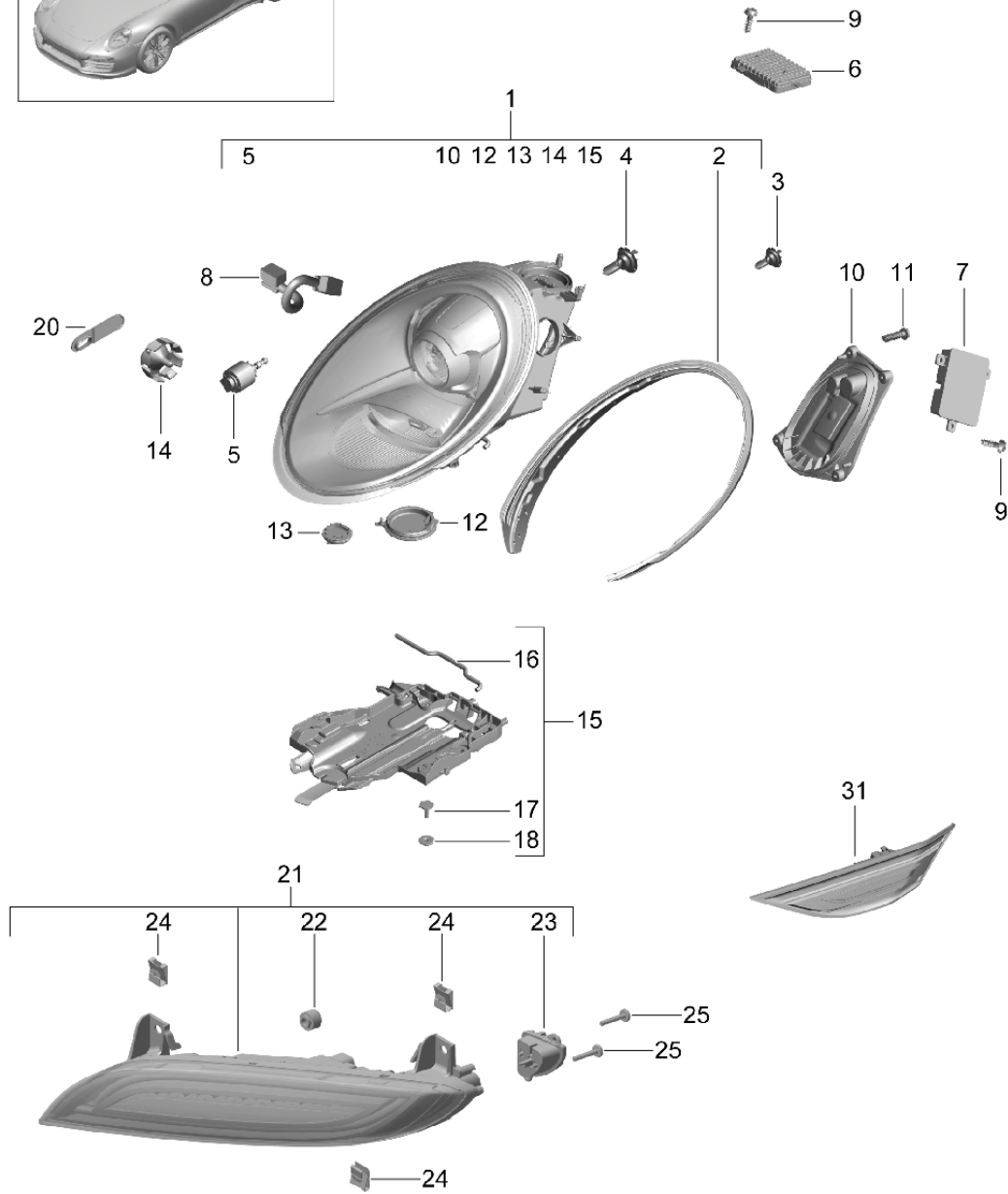
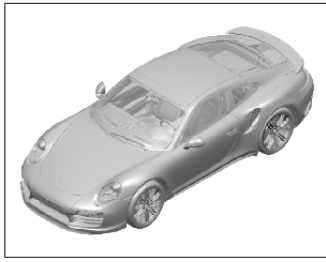
Model: 991T13

Model life 2014>>

Pos	Part Number	Description	Remark	Qty	Model
		Headlight washer system			PR:288
		D - MJ 2017>>			
1	958 624 502 00	Pump for headlight-washer system		1	PR:288
2	431 955 465 A	Seal		1	PR:288
-	000 043 204 79	Hose		*	
		8 X 3			
3		shorten to:	905 MM	1	
4	8E0 955 665	Elbow fitting		1	
5	997 628 205 00	Coupling		3	
6	991 628 375 01	Hose		1	PR:288
7	997 628 163 01	jet		2	PR:288
8	997 628 263 00	Nozzle head		2	PR:288
9	997 628 981 02	Cap primed		2	PR:288,XUB

Model: 991T13

Model life 2014>>



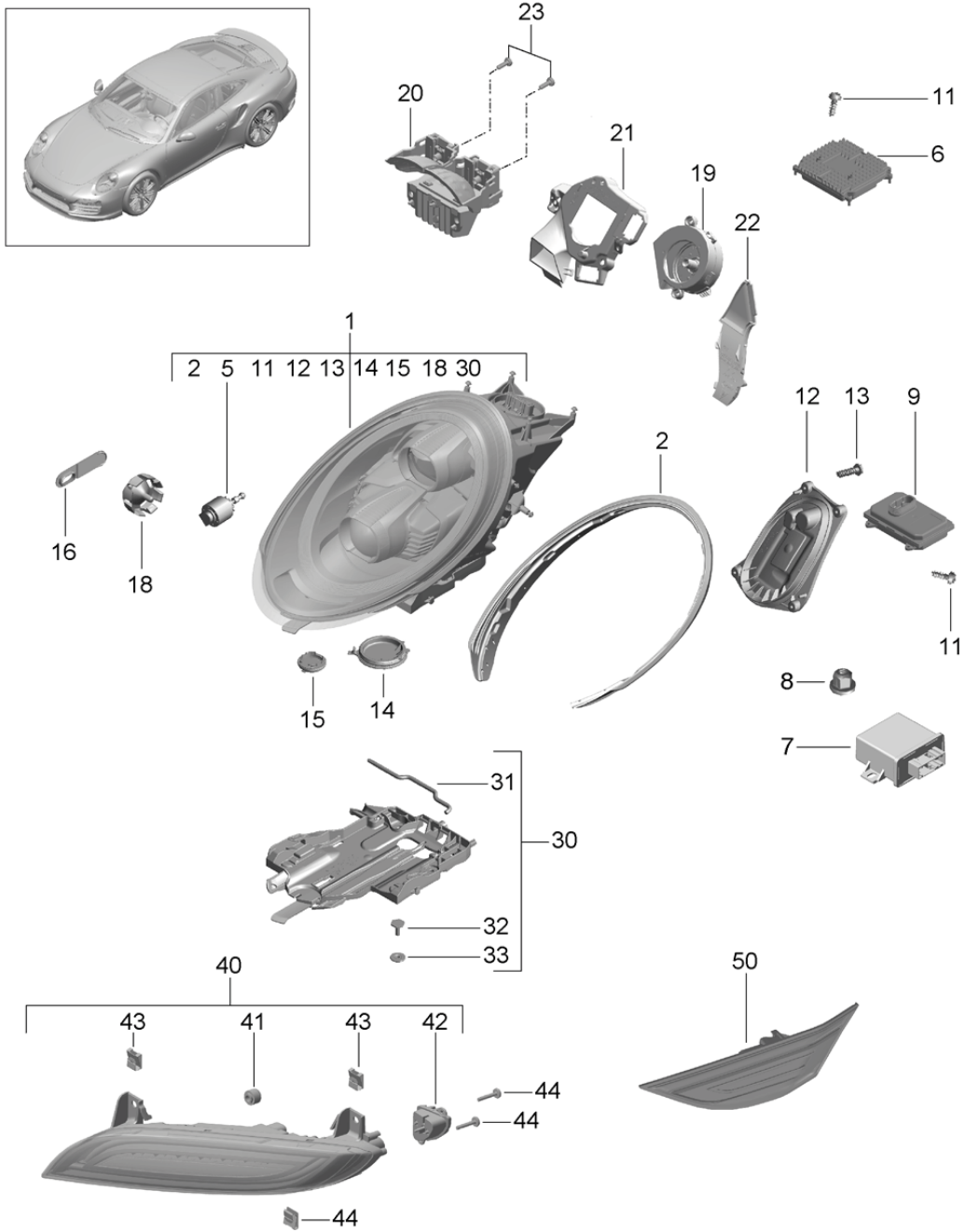
Model: 991T13

Model life 2014>>

Pos	Part Number	Description	Remark	Qty	Model
-		Headlights Additional headlight Turn signal indicator side marker light Turn signal repeater D >> - MJ 2016 Headlights without: Control unit and bulb XENON			PR:603
1	991 631 231 05	Headlights	left	1	PR:-XEX
1	991 631 993 50	Headlights	left	1	PR:XEX
(1)	991 631 232 05	Headlights	right	1	PR:-XEX
(1)	991 631 994 50	Headlights	right	1	PR:XEX
1	991 631 233 05	Headlights	left	1	PR:492,-XEX
1	991 631 995 50	Headlights	left	1	PR:XEX,492
(1)	991 631 234 05	Headlights	right	1	PR:492,-XEX
(1)	991 631 996 50	Headlights	right	1	PR:XEX,492
2	991 631 315 02	Seal	left	1	
(2)	991 631 316 02	Seal	right	1	
3	999 631 070 90	Gas discharge lamp D3S		2	
4	999 631 133 91	Halogen bulb H 7		2	
5	991 631 327 03	Servomotor Headlight range control		2	
6	991 618 321 17	Control unit Headlight range control		2	
7	991 618 323 03	Control unit		2	
8	991 631 323 00	Connecting line		2	
9	999 919 159 09	fillister hd. bolt 4,0 X 12,0		12	
10	991 631 311 00	Protective hood	left	1	
(10)	991 631 312 00	Protective hood	right	1	
11	991 631 377 00	Screw		8	
12	991 631 313 00	Protective hood High beam ventilation valve		2	
13	997 631 267 01	ventilation valve		2	
15	991 631 201 01	Mounting for main beam headl.	left	1	
(15)	991 631 202 01	Mounting for main beam headl.	right	1	
16	991 631 401 00	Retainer bracket		2	
18	991 631 371 00	Locknut		4	
20	991 631 101 00	Bungs		6	
-		Additional headlight			
21	991 631 161 02	Additional headlight	left	1	
(21)	991 631 162 02	Additional headlight	right	1	
22	987 631 291 00	Cover cap		2	
23	991 631 261 00	LED module Additional headlight	left	2	
23	991 631 262 00	LED module Additional headlight	right	2	
24	999 507 795 09	panel nut		3	
25	999 919 298 01	fillister hd. bolt 3,0 X 18,0		6	
(31)	991 631 255 05	Turn signal repeater	left	1	
(31)	991 631 256 05	Turn signal repeater	right	1	

Model: 991T13

Model life 2014>>



Model: 991T13

Model life 2014>>

Pos	Part Number	Description	Remark	Qty	Model
-		LED headlight Additional headlight Turn signal indicator side marker light Turn signal repeater D >> - MJ 2016 Headlights without: Control unit and bulb LED			PR:602,XEY
1	991 631 271 03	LED headlight D >> - MJ 2014	left	1	PR:-IY2,602, -492
1	991 631 271 04	LED headlight F >> 99-ES170 587 D - MJ 2014>>	left	1	PR:IY2,602, -492
1	991 631 271 10	LED headlight F 99-ES170 587>> F >> 99-HS160 001 F >> 99-FS172 601	left	1	PR:602,-492
1	991 631 271 11	LED headlight F 99-HS160 001>> F 99-FS172 601>>	left	1	PR:602,-492
(1)	991 631 272 03	LED headlight D >> - MJ 2014	right	1	PR:-IY2,602, -492
(1)	991 631 272 04	LED headlight F >> 99-ES170 587 D - MJ 2014>>	right	1	PR:IY2,602, -492
(1)	991 631 272 10	LED headlight F 99-ES170 587>> F >> 99-HS160 001 F >> 99-FS172 601	right	1	PR:602,-492
(1)	991 631 272 11	LED headlight F 99-HS160 001>> F 99-FS172 601>>	right	1	PR:602,-492
1	991 631 273 03	LED headlight D >> - MJ 2014	left	1	PR:-IY2,602, 492
1	991 631 273 04	LED headlight F >> 99-ES170 586 D - MJ 2014>>	left	1	PR:IY2,602, 492
1	991 631 273 10	LED headlight F 99-ES170 586>> F >> 99-FS172 608 F >> 99-FS161 056	left	1	PR:602,492
1	991 631 273 11	LED headlight F 99-FS172 608>> F 99-FS161 056>>	left	1	PR:602,492
(1)	991 631 274 03	LED headlight D >> - MJ 2014	right	1	PR:-IY2,602, 492
(1)	991 631 274 04	LED headlight F >> 99-ES170 586 D - MJ 2014>>	right	1	PR:IY2,602, 492
(1)	991 631 274 10	LED headlight F 99-ES170 586>> F >> 99-FS172 608 F >> 99-FS161 056	right	1	PR:602,492
(1)	991 631 274 11	LED headlight F 99-FS172 608>> F 99-FS161 056>>	right	1	PR:602,492
1	991 631 963 50	LED headlight	left	1	PR:-492,
(1)	991 631 964 50	LED headlight	right	1	PR:-492,
1	991 631 965 50	LED headlight	left	1	PR:492,XEY

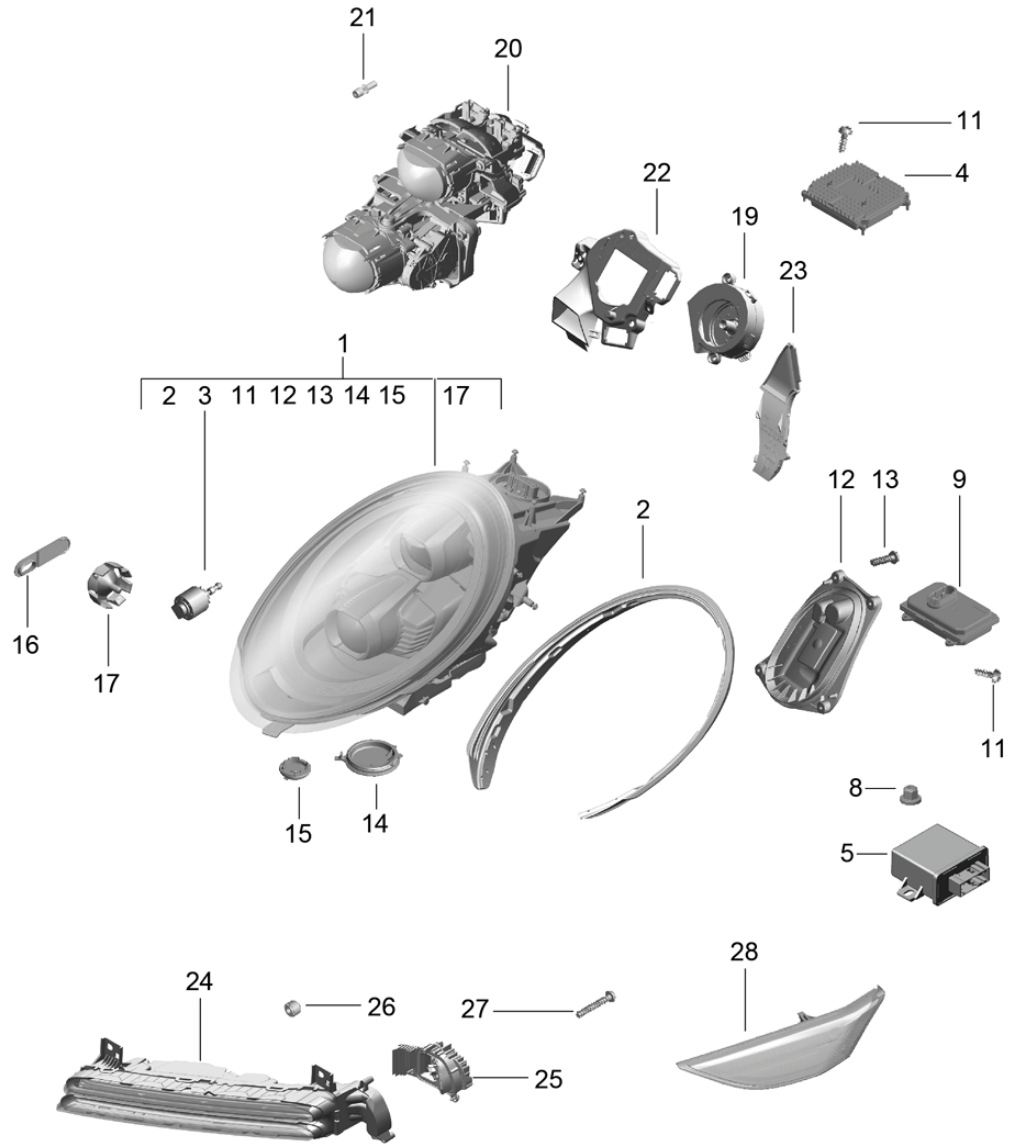
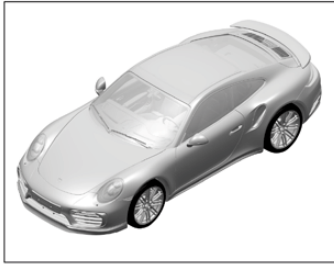
Model: 991T13

Model life 2014&gt;&gt;

Pos	Part Number	Description	Remark	Qty	Model
(1)	991 631 966 50	LED headlight	right	1	PR:492,XEY
2	991 631 315 02	Seal	left	1	
(2)	991 631 316 02	Seal	right	1	
5	991 631 327 03	Servomotor		2	
6	7PP 941 472 G	Headlight range control Power module for dipped beam		2	
6	7PP 941 572 B	LED module Control unit		2	
7	7PP 907 357 D	LED module F 99-ES170 585>> F A9-ES173 414>> F 99-ES171 704>> Control unit		2	
8	999 049 033 40	Headlight range control Plastic nut T6X16		2	
9	7PP 941 329 N	Control unit for LED headlight		2	
11	999 919 159 09	fillister hd. bolt 4,0 X 12,0		14	
12	991 631 317 00	Protective hood	left	1	
(12)	991 631 318 00	Protective hood	right	1	
13	991 631 377 00	Screw		8	
14	991 631 313 00	Protective hood High beam		2	
15	997 631 267 01	ventilation valve Additional headlight		2	
16	991 631 101 00	Bungs		6	
19	991 631 391 00	Fan		2	
20	991 631 397 00	LED module		2	
21	991 631 395 00	Bracket	left	1	
(21)	991 631 396 00	Fan Bracket	right	1	
22	991 631 393 00	Fan Air guide channel	left	1	
(22)	991 631 394 00	LED Air guide channel	right	1	
23	991 631 309 00	LED Oval-head screw 40X12 for LED module		4	
30	991 631 201 01	Mounting for main beam headl.	left	1	
(30)	991 631 202 01	Mounting for main beam headl.	right	1	
31	991 631 401 00	Retainer bracket		2	
32	991 631 373 00	Screw		4	
33	991 631 371 00	Locknut		4	
-		Additional headlight			
40	991 631 161 02	Additional headlight	left	1	
(40)	991 631 162 02	Additional headlight	right	1	
41	987 631 291 00	Cover cap		2	
42	991 631 261 00	LED module	left	2	
(42)	991 631 262 00	Additional headlight LED module	right	2	
43	999 507 795 09	Additional headlight panel nut		3	
44	999 919 298 01	fillister hd. bolt 3,0 X 18,0		6	
(50)	991 631 255 03	Turn signal repeater	left	1	- "CN."
(50)	991 631 255 04	Turn signal repeater	left	1	
(50)	991 631 256 03	Turn signal repeater	right	1	- "CN."
(50)	991 631 256 04	Turn signal repeater	right	1	

Model: 991T13

Model life 2014>>





Model: 991T13

Model life 2014&gt;&gt;

Pos	Part Number	Description	Remark	Qty	Model
-		Headlights Additional headlight Turn signal indicator side marker light Turn signal repeater D - MJ 2017>> Headlights without:			PR:602,XEY
1	991 631 271 22	LED headlight	left	1	PR:-492
(1)	991 631 272 22	LED headlight	right	1	PR:-492
(1)	991 631 273 22	LED headlight	left	1	PR:492
(1)	991 631 274 22	LED headlight	right	1	PR:492
(1)	991 631 963 62	LED headlight	left	1	PR:XEY,-492
(1)	991 631 964 62	LED headlight	right	1	PR:XEY,-492
(1)	991 631 965 62	LED headlight	left	1	PR:XEY,492
(1)	991 631 966 62	LED headlight	right	1	PR:XEY,492
2	991 631 315 02	Seal	left	1	
(2)	991 631 316 02	Seal	right	1	
3	991 631 327 03	Servomotor		2	
4	7PP 941 572 BB	Headlight range control Control unit LED module		2	
5	7PP 907 357 J	Control unit Headlight range control		1	
8	999 049 033 40	Plastic nut T6X16		2	
9	7PP 941 329 T	Control unit for LED headlight		2	
11	999 919 159 09	fillister hd. bolt 4,0 X 12,0		14	
12	991 631 317 00	Protective hood	left	1	
(12)	991 631 318 00	Protective hood	right	1	
13	991 631 377 00	Screw		8	
14	991 631 313 00	Protective hood High beam		2	
15	997 631 267 01	ventilation valve Additional headlight		2	
16	991 631 101 00	Bungs		6	
19	991 631 391 00	Fan		2	
20	991 631 397 01	LED module		2	
21	991 631 309 00	Oval-head screw for Mount LED module		4	
22	991 631 395 01	Bracket	left	1	
(22)	991 631 396 00	Fan Bracket Fan	right	1	
23	991 631 393 00	Air guide channel LED	left	1	
(23)	991 631 394 00	Air guide channel LED	right	1	
-		Additional headlight			
24	991 631 163 01	Additional headlight	left	1	
(24)	991 631 164 01	Additional headlight	right	1	
25	9P1 953 265	LED module	left	1	
(25)	9P1 953 265 A	LED module	right	1	
26	987 631 291 00	Cover cap		2	
27	999 919 246 01	fillister hd. bolt		6	

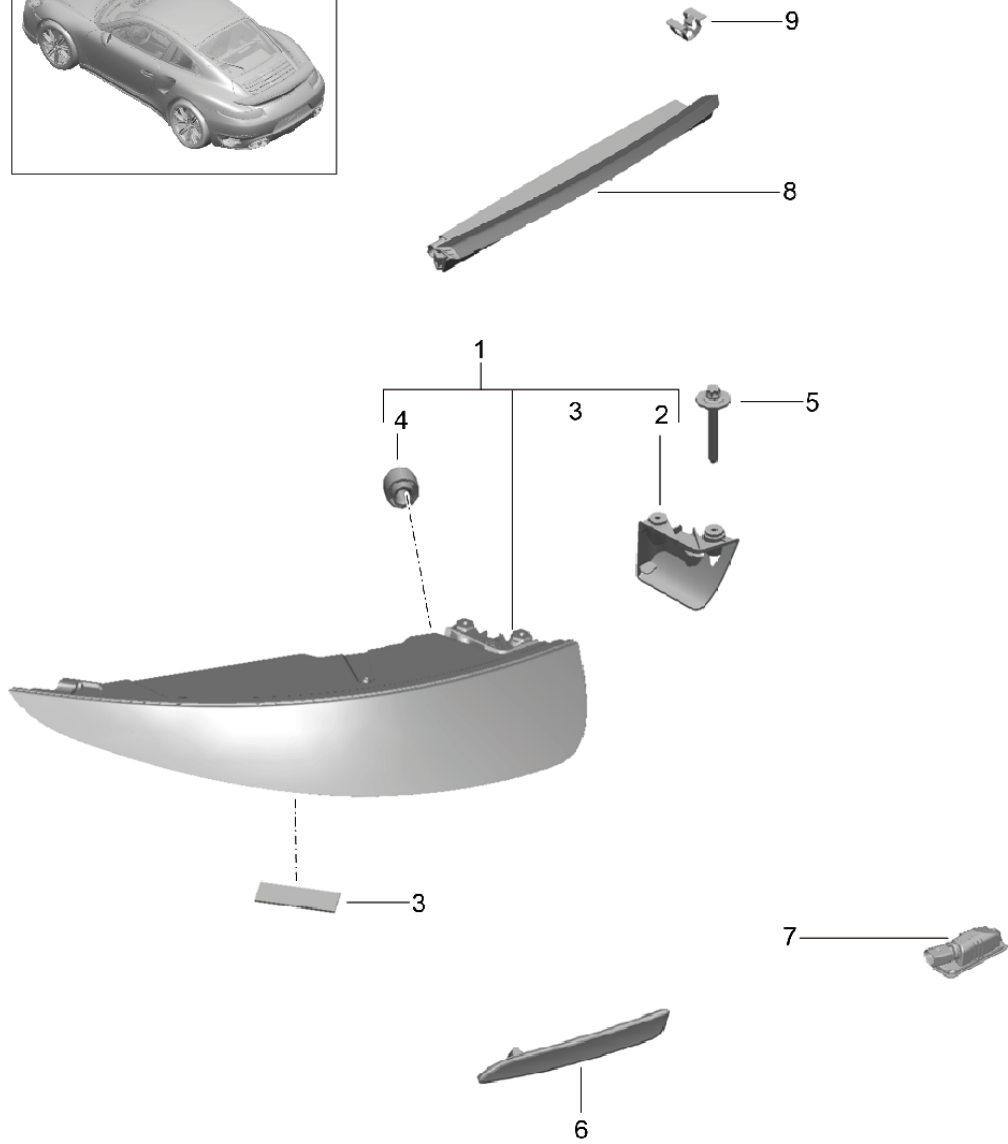
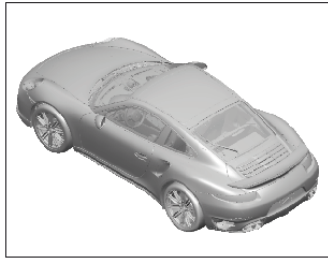
Model: 991T13

Model life 2014>>

Pos	Part Number	Description	Remark	Qty	Model
28	991 631 255 05	6,0 X 18,0 Turn signal repeater	left	1	
(28)	991 631 256 05	Turn signal repeater	right	1	
(28)	991 631 255 81	Turn signal repeater	left	1	
(28)	991 631 256 81	Turn signal repeater	right	1	

Model: 991T13

Model life 2014>>



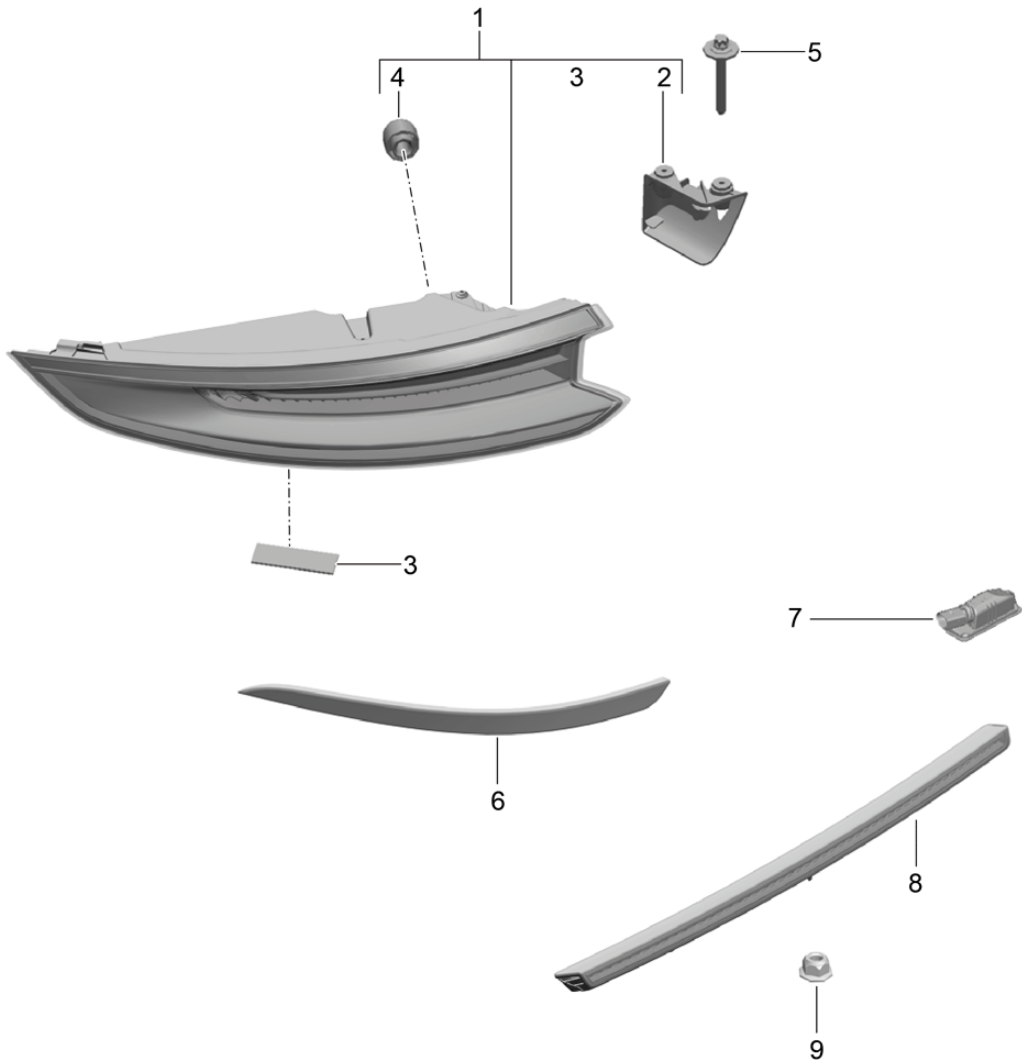
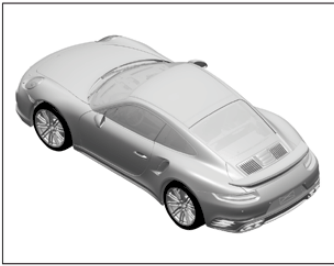
Model: 991T13

Model life 2014>>

Pos	Part Number	Description	Remark	Qty	Model
		Rear light Licence plate light Additional brake light D >> - MJ 2016			
1	991 631 141 12	Rear light	left	1	PR:465
1	991 631 983 00	Rear light	left	1	PR:XXG,465
1	991 631 143 12	Rear light	left	1	PR:-465
1	991 631 985 00	Rear light	left	1	PR:XXG,-465
(1)	991 631 142 12	Rear light	right	1	PR:-466
(1)	991 631 142 13	Rear light	right	1	PR:-466
(1)	991 631 142 14	Rear light	right	1	PR:-466
(1)	991 631 984 00	Rear light	right	1	PR:XXG,-466
(1)	991 631 144 12	Rear light	right	1	PR:466
(1)	991 631 986 00	Rear light	right	1	PR:XXG,466
2	991 631 925 00	repair set Bracket comprising: Bracket Screw Ventilation component	left	1	
(2)	991 631 926 00	repair set Bracket comprising: Bracket Screw Ventilation component	right	1	
3	991 631 481 05	Stop buffer		4	
4	987 631 291 00	Cover cap		6	
5	999 073 551 01	Bolt with washer M 5 X 46		4	
6	991 631 495 01	rear light reflector	left	1	
(6)	991 631 496 01	rear light reflector	right	1	
7	1K8 943 021 C	LED licence plate light		2	
8	991 631 183 01	Additional brake light		2	PR:-XXG
8	991 631 999 00	Additional brake light		2	PR:XXG
9	999 507 584 01	Clamp		4	

Model: 991T13

Model life 2014>>



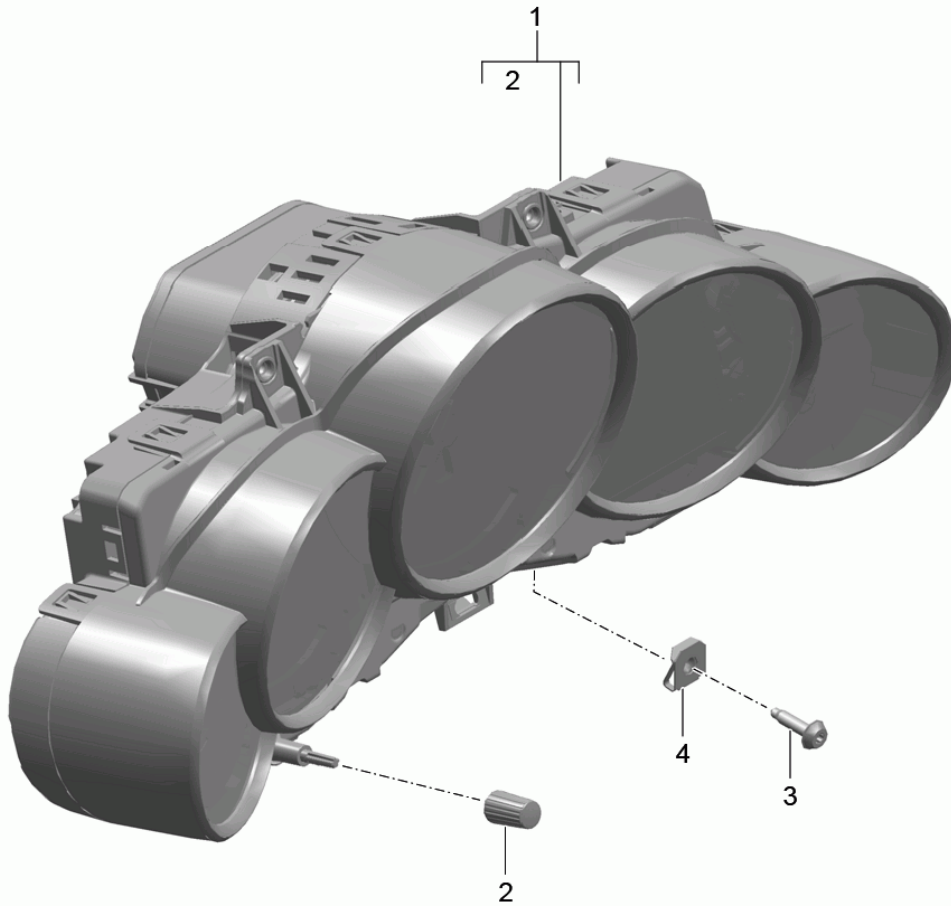
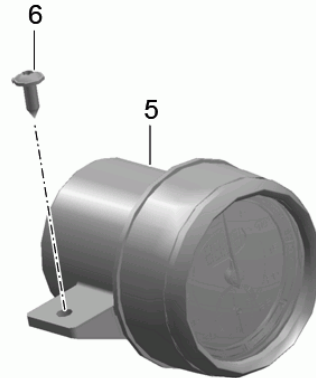
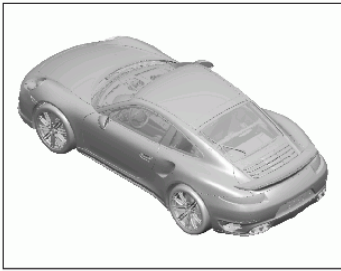
Model: 991T13

Model life 2014>>

Pos	Part Number	Description	Remark	Qty	Model
		Rear light Licence plate light Additional brake light D - MJ 2017>>			
1	991 631 165 04	Rear light	left lhd	1	PR:465,-XXP,
1	991 631 166 04	Rear light	right lhd	1	PR:-466,
1	991 631 167 04	Rear light	left rhd	1	PR:-465,
1	991 631 168 04	Rear light	right rhd	1	PR:466,-XXP,
(1)	991 631 973 02	Rear light	left	1	PR:XXP,465
(1)	991 631 974 02	Rear light	right	1	PR:XXP,465
(1)	991 631 975 02	Rear light	left	1	PR:XXP,466
(1)	991 631 976 02	Rear light	right	1	PR:XXP,466
2	991 631 905 00	repair set Bracket comprising: Bracket Screw Ventilation component	left	1	
(2)	991 631 906 00	repair set Bracket comprising: Bracket Screw Ventilation component	right	1	
3	991 631 481 00	Adhesive film		4	
4	987 631 291 00	Cover cap		6	
5	999 073 551 01	Bolt with washer M 5 X 46		4	
(5)	999 073 554 01	Socket head bolt M 5 X 45		4	
6	991 631 595 03	rear light reflector	left	1	
6	991 631 596 03	rear light reflector	right	1	
7	1K8 943 021 C	LED licence plate light		2	
8	991 631 189 01	Additional brake light		1	
9	N 105 972 01	Hexagon collar nut self-locking		2	

Model: 991T13

Model life 2014>>



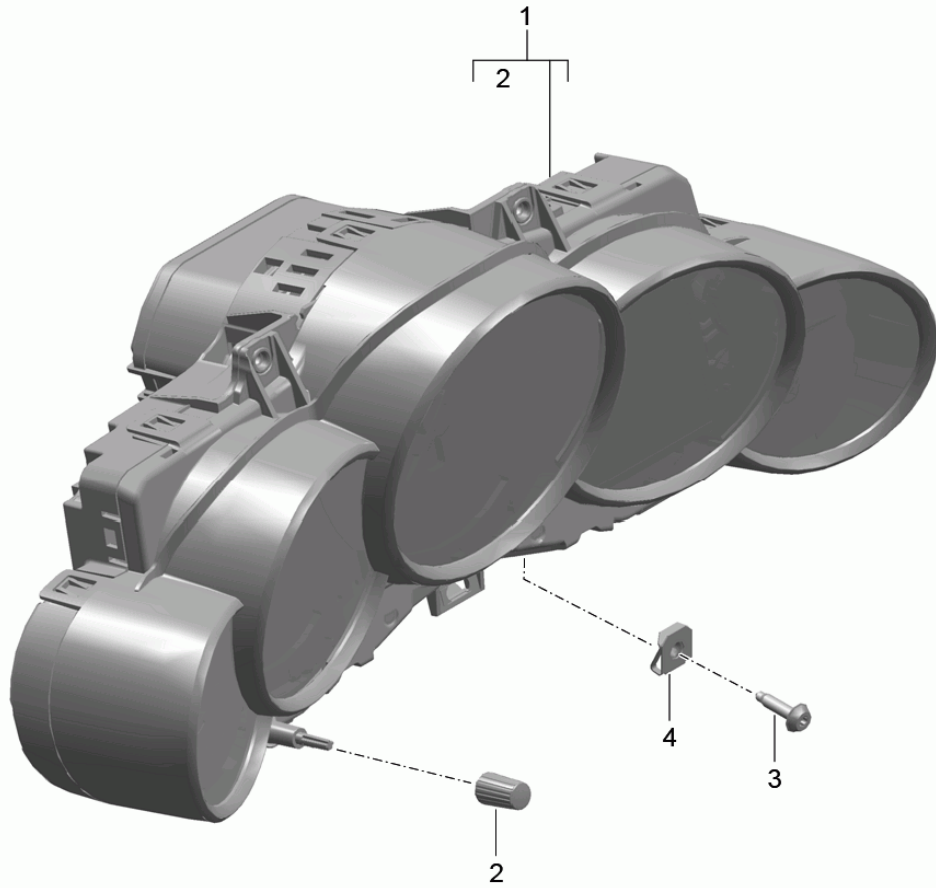
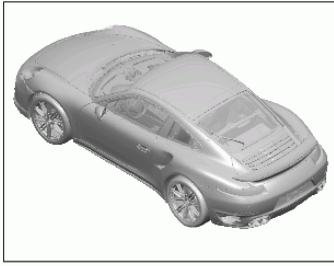
Model: 991T13 Model life 2014>>

Pos	Part Number	Description	Remark	Qty	Model
		Instruments			PR:022
		Stopwatch			
		D >> - MJ 2016			
1	991 641 124 03	Combi-instrument (complete)		1	PR:022,250, -061,-092, -484
	991 641 124 03 A05	Matt black			
1	991 641 128 03	Combi-instrument (complete)		1	PR:022,061, 250,-092
	991 641 128 03 A05	Matt black			
1	991 641 184 03	Combi-instrument (complete)		1	PR:022,092, 250,-061, -484
	991 641 184 03 A05	Matt black			
1	991 641 188 03	Combi-instrument (complete)		1	PR:022,061, 092,250
	991 641 188 03 A05	Matt black			
2	991 641 911 00	Setting knob for daily distance recorder (kilometres or miles)		1	
		throttle control element			
3	999 073 498 01	fillister hd. bolt M 5 X 20		4	
4	999 507 556 01	panel nut		4	
-		Stopwatch			
5	970 641 301 09	Stopwatch		1	PR:025,639, 640
	970 641 301 09 DAP	Matt Black/Galvano Silver			
6	999 073 155 09	panel screw ST 4,2 X 13		2	



Model: 991T13

Model life 2014>>



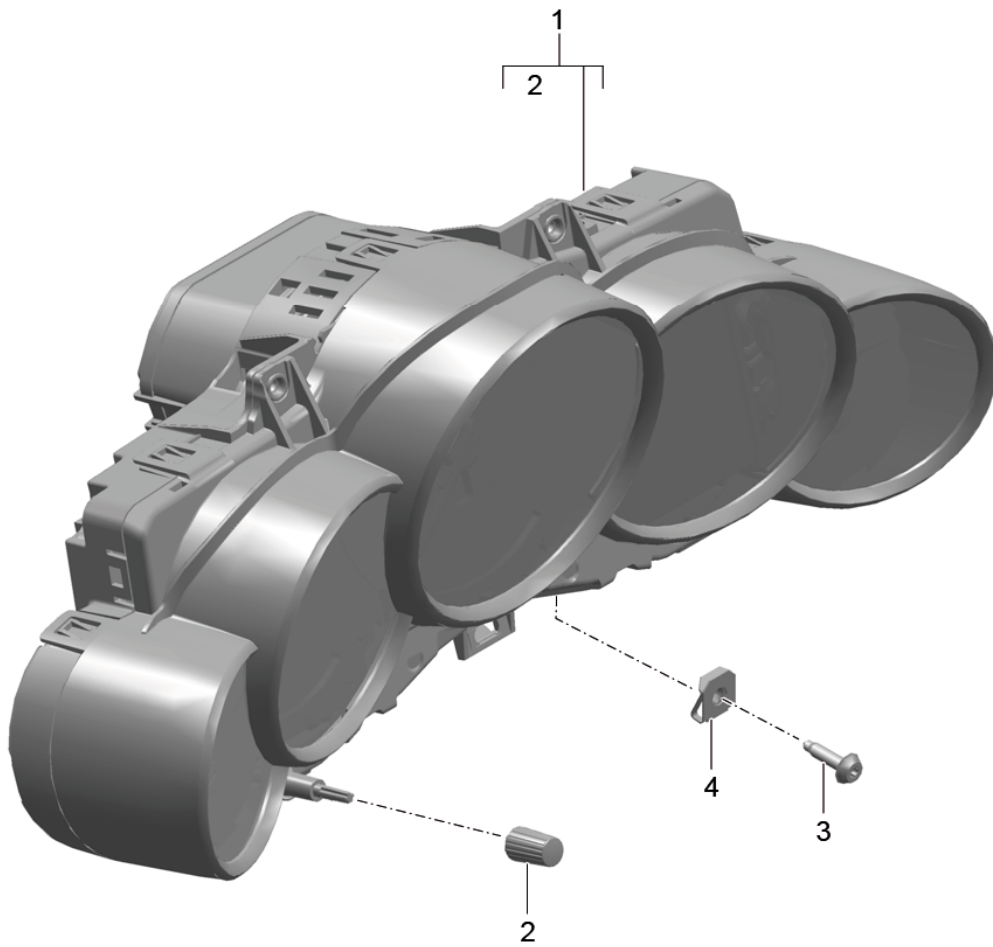
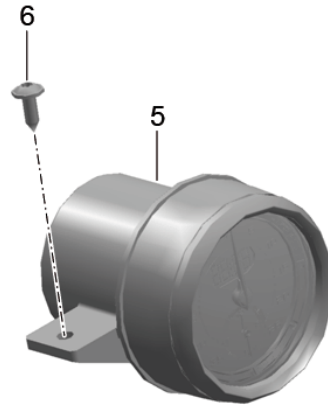
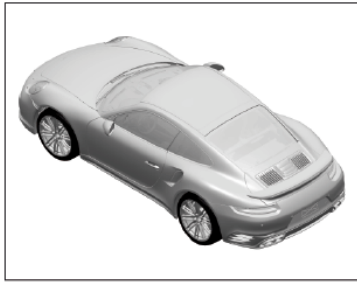
Model: 991T13

Model life 2014>>

Pos	Part Number	Description	Remark	Qty	Model
		Instruments			PR:-022
		Dial			
		Coloured			
		D >> - MJ 2016			
1	991 641 985 14	Combi-instrument (complete)		1	PR:250,-061, -484,XFR, XFJ,XFG,-092
	991 641 985 14 84A	guards red (Porsche)			PR:XFG
	991 641 985 14 C9A	white			PR:XFJ
	991 641 985 14 1S1	Racing Yellow			PR:XFR
	991 641 985 14 6W0	Luxor beige			PR:XFL
1	991 641 985 18	Combi-instrument (complete)		1	PR:250,061, XFG,XFJ,XFR, -092 "GB."
	991 641 985 18 84A	guards red (Porsche)			
	991 641 985 18 C9A	white			
	991 641 985 18 1S1	Racing Yellow			
	991 641 985 18 6W0	Luxor beige			
1	991 641 987 14	Combi-instrument (complete)		1	PR:250,-061, -484,092
	991 641 987 14 84A	guards red (Porsche)			PR:XFG
	991 641 987 14 C9A	white			PR:XFJ
	991 641 987 14 1S1	Racing Yellow			PR:XFR
	991 641 987 14 6W0	Luxor beige			
1	991 641 987 18	Combi-instrument (complete)		1	PR:250,061, XFG,XFJ,XFR, 092 "GB."
	991 641 987 18 84A	guards red (Porsche)			
	991 641 987 18 C9A	white			
	991 641 987 18 1S1	Racing Yellow			
	991 641 987 18 6W0	Luxor beige			
2	991 641 911 00	Setting knob for daily distance recorder (kilometres or miles) throttle control element		1	
3	999 073 498 01	fillister hd. bolt M 5 X 20		4	
4	999 507 556 01	panel nut		4	

Model: 991T13

Model life 2014>>



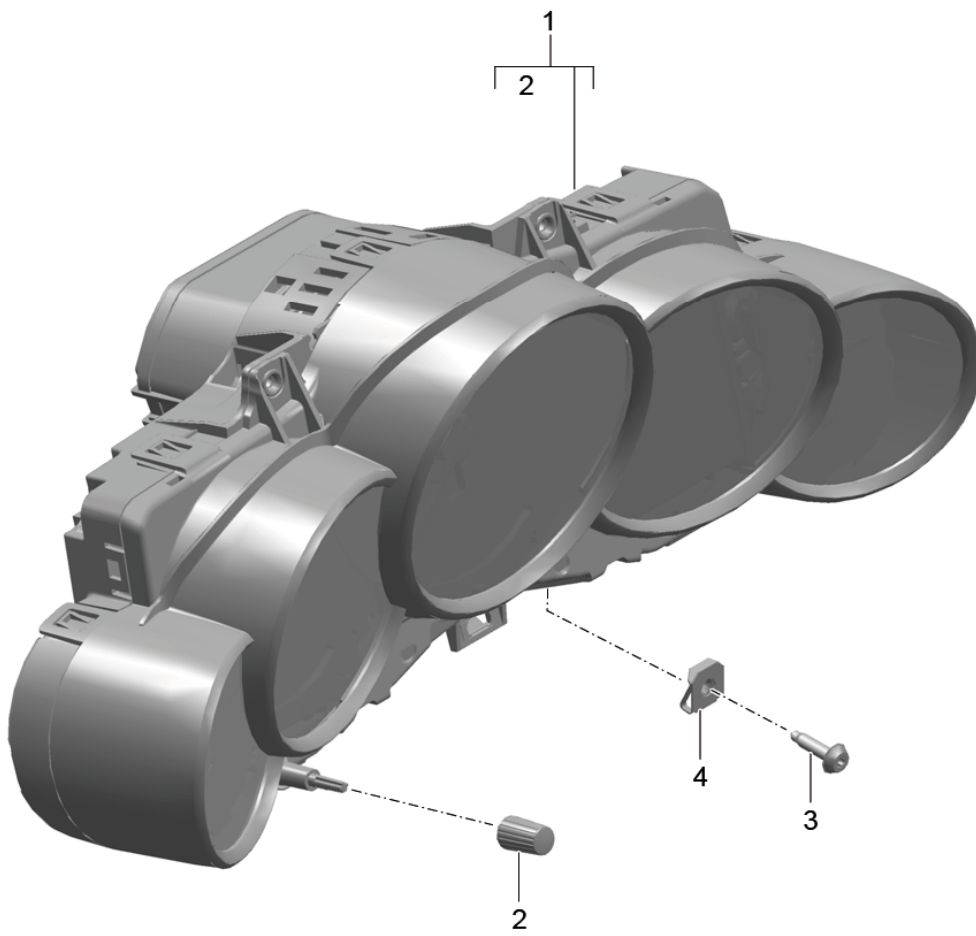
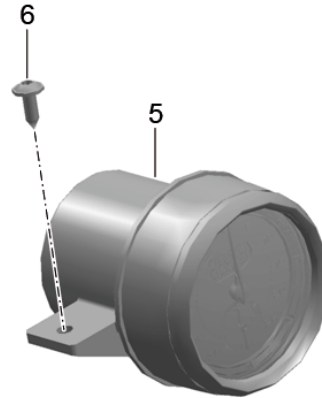
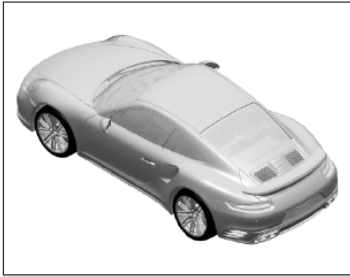
Model: 991T13

Model life 2014>>

Pos	Part Number	Description	Remark	Qty	Model
		Instruments			PR:022
		Stopwatch			
		D - MJ 2017>>			
1	9P1 920 960 K	Combi-instrument (complete)		1	PR:250,-061, -092,-484
	9P1 920 960 K A05	Matt black			
1	9P1 920 980 K	Combi-instrument (complete)		1	PR:061,250, -092
	9P1 920 980 K A05	Matt black			
1	9P1 920 960 L	Combi-instrument (complete)		1	PR:092,250, -061,-484
	9P1 920 960 L A05	Matt black			
1	9P1 920 980 L	Combi-instrument (complete)		1	PR:061,092, 250
	9P1 920 980 L A05	Matt black			
1	9P1 920 610 C	Combi-instrument (complete)		1	PR:250,-061, -484
	9P1 920 610 C A05	Matt black			
1	9P1 920 650 C	Combi-instrument (complete)		1	PR:061,250
	9P1 920 650 C A05	Matt black			
2	991 641 911 00	Setting knob for daily distance recorder (kilometres or miles)		1	
		throttle control element			
3	999 073 498 01	fillister hd. bolt M 5 X 20		4	
4	999 507 556 01	panel nut		4	
-		Stopwatch			
5	9P1 919 203 E	Stopwatch		1	PR:QR5
	9P1 919 203 E DAP	Matt Black/Galvano Silver			
6	999 073 155 09	panel screw ST 4,2 X 13		2	

Model: 991T13

Model life 2014>>



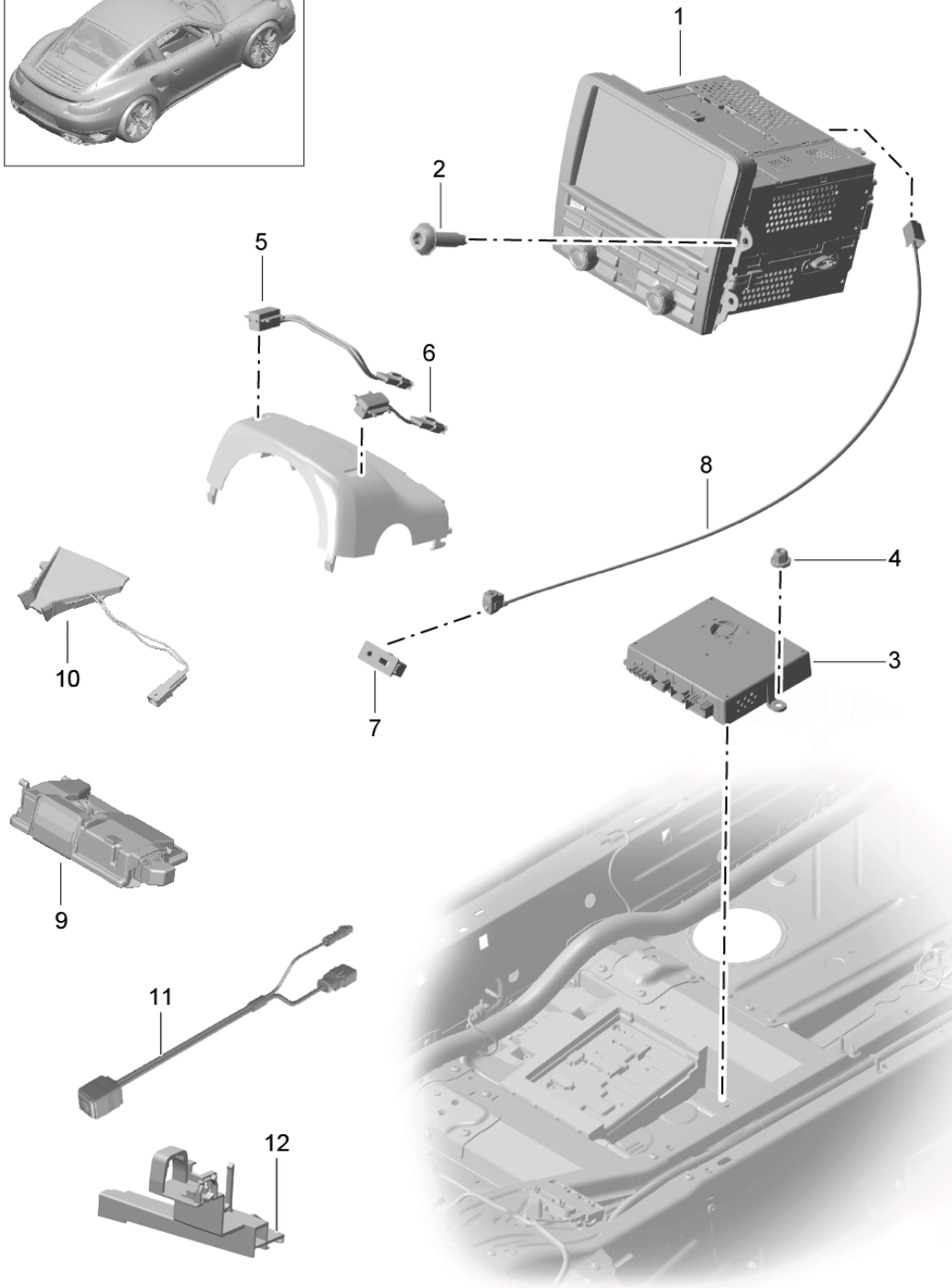
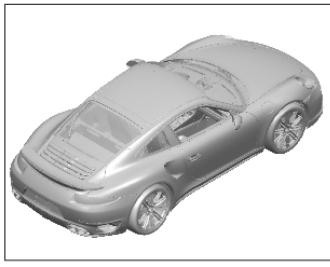
Model: 991T13

Model life 2014>>

Pos	Part Number	Description	Remark	Qty	Model
		Instruments			PR:-022
		Dial			
		Coloured			
		D - MJ 2017>>			
1	9P3 920 960 K	Combi-instrument (complete)		1	PR:250,-061, -484,-092
	9P3 920 960 K 84A	guards red (Porsche)			PR:XFG
	9P3 920 960 K C9A	white			PR:XFJ
	9P3 920 960 K 1S1	Racing Yellow			PR:XFR
	9P3 920 960 K 6W0	Luxor beige			PR:XFL
	9P3 920 960 K OG6	Bordeaux red			PR:XFB
1	9P3 920 980 K	Combi-instrument (complete)		1	PR:250,061, -092
	9P3 920 980 K 84A	guards red (Porsche)			"GB." PR:XFG
	9P3 920 980 K C9A	white			PR:XFJ
	9P3 920 980 K 1S1	Racing Yellow			PR:XFR
	9P3 920 980 K 6W0	Luxor beige			PR:XFL
	9P3 920 980 K OG6	Bordeaux red			PR:XFB
1	9P3 920 960 L	Combi-instrument (complete)		1	PR:250,-061, -484,092
	9P3 920 960 L 84A	guards red (Porsche)			PR:XFG
	9P3 920 960 L C9A	white			PR:XFJ
	9P3 920 960 L 1S1	Racing Yellow			PR:XFR
	9P3 920 960 L 6W0	Luxor beige			PR:XFL
	9P3 920 960 L OG6	Bordeaux red			PR:XFB
1	9P3 920 980 L	Combi-instrument (complete)		1	PR:250,061, 092
	9P3 920 980 L 84A	guards red (Porsche)			"GB." PR:XFG
	9P3 920 980 L C9A	white			PR:XFJ
	9P3 920 980 L 1S1	Racing Yellow			PR:XFR
	9P3 920 980 L 6W0	Luxor beige			PR:XFL
	9P3 920 980 L OG6	Bordeaux red			PR:XFB
1	9P3 920 610 C	Combi-instrument (complete)		1	PR:250
	9P3 920 610 C 84A	guards red (Porsche)			PR:XFG
	9P3 920 610 C C9A	white			PR:XFJ
1	9P3 920 650 C	Combi-instrument (complete)		1	PR:250
	9P3 920 650 C 84A	guards red (Porsche)			"GB." PR:XFG
	9P3 920 650 C C9A	white			PR:XFJ
2	991 641 911 00	Setting knob for daily distance recorder (kilometres or miles)		1	
		throttle control element			
3	999 073 498 01	fillister hd. bolt M 5 X 20		4	
4	999 507 556 01	panel nut		4	
-		Stopwatch			
5	9P3 919 203	Stopwatch		1	PR:QR5,XGK
	9P3 919 203 6W0	Luxor beige			
(5)	9P3 919 203 A	Stopwatch		1	PR:QR5,XGL
	9P3 919 203 A 1S1	Racing Yellow			
(5)	9P3 919 203 B	Stopwatch		1	PR:QR5,XGM
	9P3 919 203 B C9A	white			
(5)	9P3 919 203 C	Stopwatch		1	PR:QR5,XGN
	9P3 919 203 C 84A	guards red (Porsche)			
(5)	9P3 919 203 D	Stopwatch		1	PR:QR5,XGP
	9P3 919 203 D OG6	Bordeaux red			
6	999 073 155 09	panel screw ST 4,2 X 13		2	

Model: 991T13

Model life 2014>>



Model: 991T13 Model life 2014>>

Pos	Part Number	Description	Remark	Qty	Model
-		Control panel Navigation system Radio unit Receiving part TV microphone Reversing camera D >> - MJ 2016			
1	991 642 970 LX	Control panel Only in exchange Control panel D - MJ 2014>> - MJ 2014		1	PR:665,672, -075,-215, -686,-688, -690,-691, -693,IY1
	991 642 970 LX DML	Matt Black/hi-gloss chrome We take back: 991.642.970.11.DML			
1	991 642 970 MX	Control panel D - MJ 2014>> - MJ 2014		1	PR:665,672, -075,-215, -686,-688, -690,-693, IY2
	991 642 970 MX DML	Matt Black/hi-gloss chrome We take back: 991.642.970.12.DML			
1	991 642 970 NX	Control panel D - MJ 2015>> - MJ 2015		1	PR:665,672, -075,-215, -686,-688, -690,-693, IY1
	991 642 970 NX DML	Matt Black/hi-gloss chrome We take back: 991.642.970.13.DML			
1	991 642 970 PX	Control panel D - MJ 2015>> - MJ 2015		1	PR:665,672, -075,-215, -686,-688, -690,-693, IY2
	991 642 970 PX DML	Matt Black/hi-gloss chrome We take back: 991.642.970.14.DML			
1	991 642 970 QX	Control panel D - MJ 2016>>		1	PR:665,672, -075,-215, -686,-688, -690,-693
	991 642 970 QX DML	Matt Black/hi-gloss chrome We take back: 991.642.970.15.DML			
1	991 642 972 LX	Control panel D - MJ 2014>> - MJ 2014		1	PR:665,672, -075,-215, -686,-690, -688,693, -691,IY1
	991 642 972 LX DML	Matt Black/hi-gloss chrome We take back: 991.642.972.11.DML			
1	991 642 972 MX	Control panel D - MJ 2014>> - MJ 2014		1	PR:665,672, -075,-215, -686,-690, -688,693, -691,IY2
	991 642 972 MX DML	Matt Black/hi-gloss chrome			



Model: 991T13 Model life 2014>>

Pos	Part Number	Description	Remark	Qty	Model
1	991 642 972 NX	We take back: 991.642.972.12.DML Control panel D - MJ 2015>> - MJ 2015		1	PR:665,672, -075,-215, -686,-690, -688,693, -691,IY1
	991 642 972 NX DML	Matt Black/hi-gloss chrome			
1	991 642 972 PX	We take back: 991.642.972.13.DML Control panel D - MJ 2015>> - MJ 2015		1	PR:665,672, -075,-215, -686,-690, -688,693, -691,IY2
	991 642 972 PX DML	Matt Black/hi-gloss chrome			
1	991 642 972 QX	We take back: 991.642.972.14.DML Control panel D - MJ 2016>>		1	PR:665,672, -075,-215, -686,-690, -688,693, -691
	991 642 972 QX DML	Matt Black/hi-gloss chrome			
1	991 642 974 LX	We take back: 991.642.972.15.DML Control panel D - MJ 2014>> - MJ 2014		1	PR:075,665, 672,-693,IY1
	991 642 974 LX DML	Matt Black/hi-gloss chrome			
1	991 642 974 MX	We take back: 991.642.974.11.DML Control panel D - MJ 2014>> - MJ 2014		1	PR:075,665, 672,-693,IY2
	991 642 974 MX DML	Matt Black/hi-gloss chrome			
1	991 642 974 NX	We take back: 991.642.974.12.DML Control panel D - MJ 2015>> - MJ 2015		1	PR:075,665, 672,-693,IY1
	991 642 974 NX DML	Matt Black/hi-gloss chrome			
1	991 642 974 PX	We take back: 991.642.974.13.DML Control panel D - MJ 2015>> - MJ 2015		1	PR:075,665, 672,-693,IY2
	991 642 974 PX DML	Matt Black/hi-gloss chrome			
1	991 642 974 QX	We take back: 991.642.974.14.DML Control panel D - MJ 2016>>		1	PR:075,665, 672,-693
	991 642 974 QX DML	Matt Black/hi-gloss chrome			
1	991 642 975 LX	We take back: 991.642.974.15.DML Control panel D - MJ 2014>> - MJ 2014		1	PR:075,665, 672,693,IY1
	991 642 975 LX DML	Matt Black/hi-gloss chrome			
1	991 642 975 MX	We take back: 991.642.975.11.DML Control panel D - MJ 2014>> - MJ 2014		1	PR:075,665, 672,693,IY2
	991 642 975 MX DML	Matt Black/hi-gloss chrome			
1	991 642 975 NX	We take back: 991.642.975.12.DML Control panel D - MJ 2015>> - MJ 2015		1	PR:075,665, 672,693,IY1

Model: 991T13 Model life 2014>>

Pos	Part Number	Description	Remark	Qty	Model
1	991 642 975 NX DML	Matt Black/hi-gloss chrome We take back: 991.642.975.13.DML		1	PR:075,665, 672,693,IY2
	991 642 975 PX	Control panel D - MJ 2015>> - MJ 2015		1	
	991 642 975 PX DML	Matt Black/hi-gloss chrome We take back: 991.642.975.14.DML		1	PR:075,665, 672,693
1	991 642 975 QX	Control panel D - MJ 2016>>		1	
	991 642 975 QX DML	Matt Black/hi-gloss chrome We take back: 991.642.975.15.DML		1	PR:215,665, 672,-693,IY1
1	991 642 976 LX	Control panel D - MJ 2014>> - MJ 2014		1	
	991 642 976 LX DML	Matt Black/hi-gloss chrome We take back: 991.642.976.11.DML		1	PR:215,665, 672,-693,IY2
1	991 642 976 MX	Control panel D - MJ 2014>> - MJ 2014		1	
	991 642 976 MX DML	Matt Black/hi-gloss chrome We take back: 991.642.976.12.DML		1	PR:215,665, 672,-693,IY1
1	991 642 976 NX	Control panel D - MJ 2015>> - MJ 2015		1	
	991 642 976 NX DML	Matt Black/hi-gloss chrome We take back: 991.642.976.13.DML		1	PR:215,665, 672,-693,IY2
1	991 642 976 PX	Control panel D - MJ 2015>> - MJ 2015		1	
	991 642 976 PX DML	Matt Black/hi-gloss chrome We take back: 991.642.976.14.DML		1	PR:215,665, 672,-693
1	991 642 976 QX	Control panel D - MJ 2016>>		1	
	991 642 976 QX DML	Matt Black/hi-gloss chrome We take back: 991.642.976.15.DML		1	PR:215,665, 672,693,IY1
1	991 642 977 LX	Control panel D - MJ 2014>> - MJ 2014		1	
	991 642 977 LX DML	Matt Black/hi-gloss chrome We take back: 991.642.977.11.DML		1	PR:215,665, 672,693,IY2
1	991 642 977 MX	Control panel D - MJ 2014>> - MJ 2014		1	
	991 642 977 MX DML	Matt Black/hi-gloss chrome We take back: 991.642.977.12.DML		1	PR:215,665, 672,693,IY1
1	991 642 977 NX	Control panel D - MJ 2015>> - MJ 2015		1	
	991 642 977 NX DML	Matt Black/hi-gloss chrome We take back: 991.642.977.13.DML		1	PR:215,665, 672,693,IY2
1	991 642 977 PX	Control panel D - MJ 2015>> - MJ 2015		1	
	991 642 977 PX DML	Matt Black/hi-gloss chrome We take back: 991.642.977.14.DML		1	PR:215,665, 672,693
1	991 642 977 QX	Control panel D - MJ 2016>>		1	
	991 642 977 QX DML	Matt Black/hi-gloss chrome We take back: 991.642.977.15.DML		1	

Model: 991T13 Model life 2014>>

Pos	Part Number	Description	Remark	Qty	Model
1	991 642 950 X 991 642 950 X DML	Control panel D - MJ 2014>> - MJ 2014 Matt Black/hi-gloss chrome We take back: 991.642.950.00.DML		1	PR:665,672, 691,-693,IY1
1	991 642 950 AX 991 642 950 AX DML	Control panel D - MJ 2014>> - MJ 2014 Matt Black/hi-gloss chrome We take back: 991.642.950.01.DML		1	PR:665,672, 691,-693,IY2
1	991 642 950 BX 991 642 950 BX DML	Control panel D - MJ 2015>> - MJ 2015 Matt Black/hi-gloss chrome We take back: 991.642.950.02.DML		1	PR:665,672, 691,-693,IY1
1	991 642 950 CX 991 642 950 CX DML	Control panel D - MJ 2015>> - MJ 2015 Matt Black/hi-gloss chrome We take back: 991.642.950.03.DML		1	PR:665,672, 691,-693,IY2
1	991 642 950 DX 991 642 950 DX DML	Control panel D - MJ 2016>> Matt Black/hi-gloss chrome We take back: 991.642.950.04.DML		1	PR:665,672, 691,-693
1	991 642 951 X 991 642 951 X DML	Control panel D - MJ 2014>> - MJ 2014 Matt Black/hi-gloss chrome We take back: 991.642.951.00.DML		1	PR:665,672, 691,693,IY1
1	991 642 951 AX 991 642 951 AX DML	Control panel D - MJ 2014>> - MJ 2014 Matt Black/hi-gloss chrome We take back: 991.642.951.01.DML		1	PR:665,672, 691,693,IY2
1	991 642 951 BX 991 642 951 BX DML	Control panel D - MJ 2015>> - MJ 2015 Matt Black/hi-gloss chrome We take back: 991.642.951.02.DML		1	PR:665,672, 691,693,IY1
1	991 642 951 CX 991 642 951 CX DML	Control panel D - MJ 2015>> - MJ 2015 Matt Black/hi-gloss chrome We take back: 991.642.951.03.DML		1	PR:665,672, 691,693,IY2
1	991 642 951 DX 991 642 951 DX DML	Control panel D - MJ 2016>> Matt Black/hi-gloss chrome We take back: 991.642.951.04.DML		1	PR:665,672, 691,693
1	991 642 952 AX 991 642 952 AX DML	Control panel D - MJ 2014>> - MJ 2014 Matt Black/hi-gloss chrome We take back: 991.642.952.01.DML		1	PR:665,691, -672,-693
1	991 642 952 BX 991 642 952 BX DML	Control panel D - MJ 2015>> - MJ 2015 Matt Black/hi-gloss chrome We take back: 991.642.952.02.DML		1	PR:665,691, -672,-693, IY1
1	991 642 952 CX	Control panel D - MJ 2015>> - MJ 2015		1	PR:665,691, -672,-693,

Model: 991T13 Model life 2014>>

Pos	Part Number	Description	Remark	Qty	Model
	991 642 952 CX DML	Matt Black/hi-gloss chrome We take back: 991.642.952.03.DML			IY2
1	991 642 952 DX	Control panel D - MJ 2016>>		1	PR:665,691, -672,-693
	991 642 952 DX DML	Matt Black/hi-gloss chrome We take back: 991.642.952.04.DML			
1	991 642 953 AX	Control panel D - MJ 2014>> - MJ 2014		1	PR:665,691, 693,-672
	991 642 953 AX DML	Matt Black/hi-gloss chrome We take back: 991.642.953.01.DML			
1	991 642 953 BX	Control panel D - MJ 2015>> - MJ 2015		1	PR:665,691, 693,-672,IY1
	991 642 953 BX DML	Matt Black/hi-gloss chrome We take back: 991.642.953.02.DML			
1	991 642 953 CX	Control panel D - MJ 2015>> - MJ 2015		1	PR:665,691, 693,-672,IY2
	991 642 953 CX DML	Matt Black/hi-gloss chrome We take back: 991.642.953.03.DML			
1	991 642 953 DX	Control panel D - MJ 2016>>		1	PR:665,691, 693,-672
	991 642 953 DX DML	Matt Black/hi-gloss chrome We take back: 991.642.953.04.DML			
1	991 642 954 AX	Control panel D - MJ 2014>> - MJ 2014		1	PR:665,690, -672,-693
	991 642 954 AX DML	Matt Black/hi-gloss chrome We take back: 991.642.954.01.DML			
1	991 642 954 BX	Control panel D - MJ 2015>> - MJ 2015		1	PR:665,690, -672,-693, IY1
	991 642 954 BX DML	Matt Black/hi-gloss chrome We take back: 991.642.954.02.DML			
1	991 642 954 CX	Control panel D - MJ 2015>> - MJ 2015		1	PR:665,690, -672,-693, IY2
	991 642 954 CX DML	Matt Black/hi-gloss chrome We take back: 991.642.954.03.DML			
1	991 642 954 DX	Control panel D - MJ 2016>>		1	PR:665,690, -672,-693
	991 642 954 DX DML	Matt Black/hi-gloss chrome We take back: 991.642.954.04.DML			
1	991 642 955 AX	Control panel D - MJ 2014>> - MJ 2014		1	PR:665,690, 693,-672
	991 642 955 AX DML	Matt Black/hi-gloss chrome We take back: 991.642.955.01.DML			
1	991 642 955 BX	Control panel D - MJ 2015>> - MJ 2015		1	PR:655,690, 693,-672,IY1
	991 642 955 BX DML	Matt Black/hi-gloss chrome We take back: 991.642.955.02.DML			
1	991 642 955 CX	Control panel D - MJ 2015>> - MJ 2015		1	PR:655,690, 693,-672,IY2

Model: 991T13 Model life 2014>>

Pos	Part Number	Description	Remark	Qty	Model
1	991 642 955 CX DML 991 642 955 DX 991 642 955 DX DML	Matt Black/hi-gloss chrome We take back: 991.642.955.03.DML Control panel D - MJ 2016>> Matt Black/hi-gloss chrome We take back: 991.642.955.04.DML Control unit Telephone		1	PR:655,690, 693,-672
-		see illustration:	911-010		
2	999 073 498 01	fillister hd. bolt M 5 X 20		4	
-	7PP 919 855	CD-ROM for electronic driver's logbook		1	PR:641
-	997 642 271 56	DVD-ROM for navigation system for Software D - MJ 2014>>		1	PR:610
-	997 642 271 57	DVD-ROM for navigation system for Software D - MJ 2015>>		1	PR:610
-	997 642 271 58	DVD-ROM for navigation system for Software D - MJ 2016>>		1	PR:610
-	997 642 271 59	DVD-ROM for navigation system for Software D - MJ 2016>>		1	PR:610
-	997 642 275 56	DVD-ROM for navigation system for Software D - MJ 2014>>		1	PR:611
-	997 642 275 57	DVD-ROM for navigation system for Software D - MJ 2015>>		1	PR:611
-	997 642 275 58	DVD-ROM for navigation system for Software D - MJ 2016>>		1	PR:611
-	991 642 287 52	DVD-ROM for navigation system for Software D - MJ 2014>>		1	PR:612
-	991 642 287 57	DVD-ROM for navigation system for Software D - MJ 2015>>		1	PR:612
-	991 642 287 58	DVD-ROM for navigation system for		1	PR:612

Model: 991T13

Model life 2014&gt;&gt;

Pos	Part Number	Description	Remark	Qty	Model
-	997 642 279 56	Software D - MJ 2016>> DVD-ROM for navigation system for		1	PR:613
-	997 642 279 57	Software D - MJ 2014>> DVD-ROM for navigation system for		1	PR:613
-	997 642 279 58	Software D - MJ 2015>> DVD-ROM for navigation system for		1	PR:613
-	997 642 281 56	Software D - MJ 2016>> DVD-ROM for navigation system for		1	PR:614
-	997 642 281 57	Software D - MJ 2014>> DVD-ROM for navigation system for		1	PR:614
-	997 642 281 58	Software D - MJ 2015>> DVD-ROM for navigation system for		1	PR:614
-	997 642 283 56	Software D - MJ 2016>> DVD-ROM for navigation system for		1	PR:616
-	997 642 283 57	Software D - MJ 2014>> DVD-ROM for navigation system for		1	PR:616
-	997 642 283 58	Software D - MJ 2015>> DVD-ROM for navigation system for		1	PR:616
-	970 642 285 55	Software D - MJ 2016>> DVD-ROM for navigation system for		1	PR:617
-	970 642 285 57	Software D - MJ 2014>> DVD-ROM for navigation system for		1	PR:617
-	970 642 285 58	Software D - MJ 2015>> DVD-ROM for navigation system for		1	PR:617
-	991 642 288 56	Software D - MJ 2016>> DVD-ROM for navigation		1	PR:77J

Model: 991T13 Model life 2014>>

Pos	Part Number	Description	Remark	Qty	Model
-	991 642 288 57	system for Software D - MJ 2014>> DVD-ROM for navigation system		1	PR:77J
-	991 642 288 57	for Software D - MJ 2015>> DVD-ROM for navigation system		1	PR:77J
-	991 642 289 56	for Software D - MJ 2016>> DVD-ROM for navigation system		1	PR:77K
-	991 642 289 57	for Software D - MJ 2014>> DVD-ROM for navigation system		1	PR:77K
-	991 642 289 58	for Software D - MJ 2015>> DVD-ROM for navigation system		1	PR:77K
3	7PP 919 148 H	D - MJ 2016>> Receiver unit for TV reception		1	PR:676
4	999 049 033 40	Plastic nut T 6		3	PR:676
5	991 646 305 02	microphone	left	1	PR:680,-619, -666,-671, -675
(5)	991 646 309 02	microphone	left	1	PR:619,680, 682
(5)	991 646 309 02	microphone	left	1	PR:666,680, 682
(5)	991 646 309 02	microphone	left	1	PR:671,680, 682,-619, -666
6	991 646 313 02	microphone	right	1	PR:619,665
(6)	991 646 313 02	microphone	right	1	PR:666
(6)	991 646 313 02	microphone	right	1	PR:671,-619, -666
7	7PP 035 724 D	bush Multimedia interface Glove box		1	PR:665,870
8	991 642 122 01	Connecting line Multimedia interface Control panel		1	PR:665,870
(8)	991 642 123 01	- USB - Connecting line Multimedia interface Control panel		1	PR:665,870, 696
(8)	958 612 642 10	- AUX - Connecting line Control panel		1	
9	7PP 980 653 B	Combi-instrument Camera Windscreen		1	

Model: 991T13

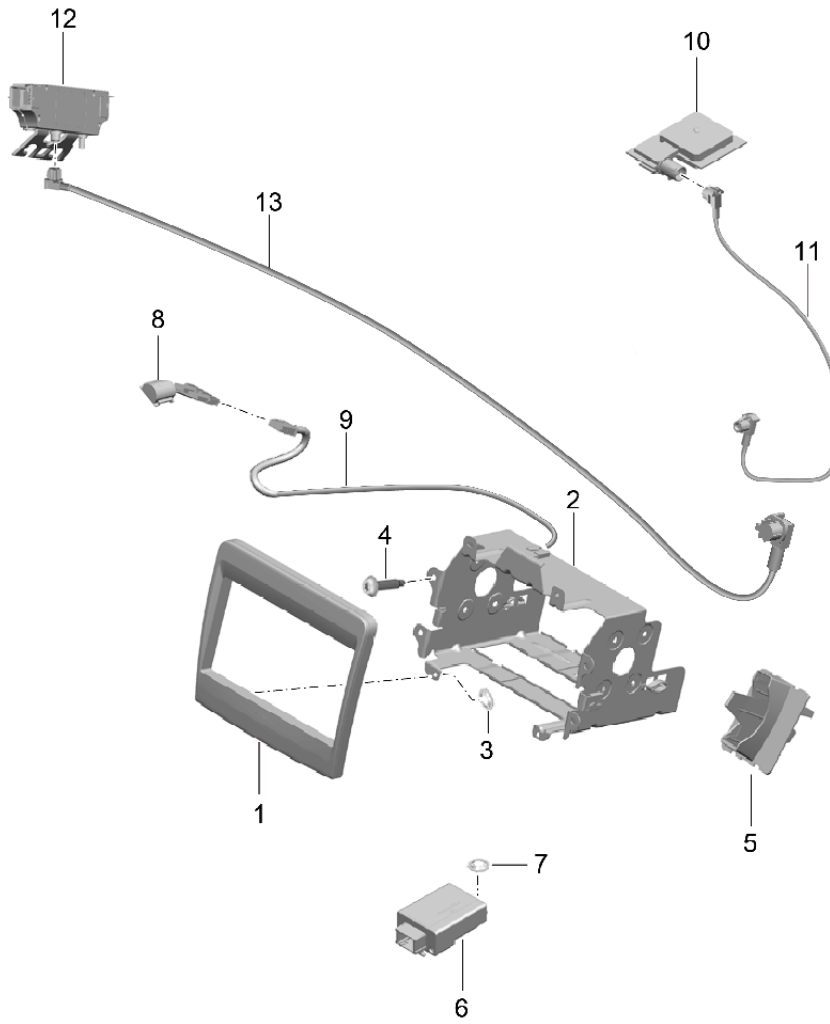
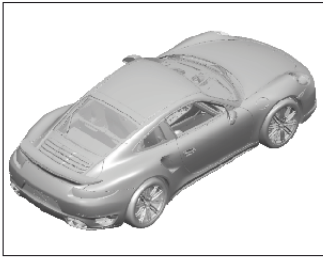
Model life 2014>>

Pos	Part Number	Description	Remark	Qty	Model
10	991 555 715 00	Trim with: heater		1	
11	95B 980 551 E	Reversing camera		1	PR:638
12	991 642 222 00	Support for reversing camera Connector		1	



Model: 991T13

Model life 2014>>

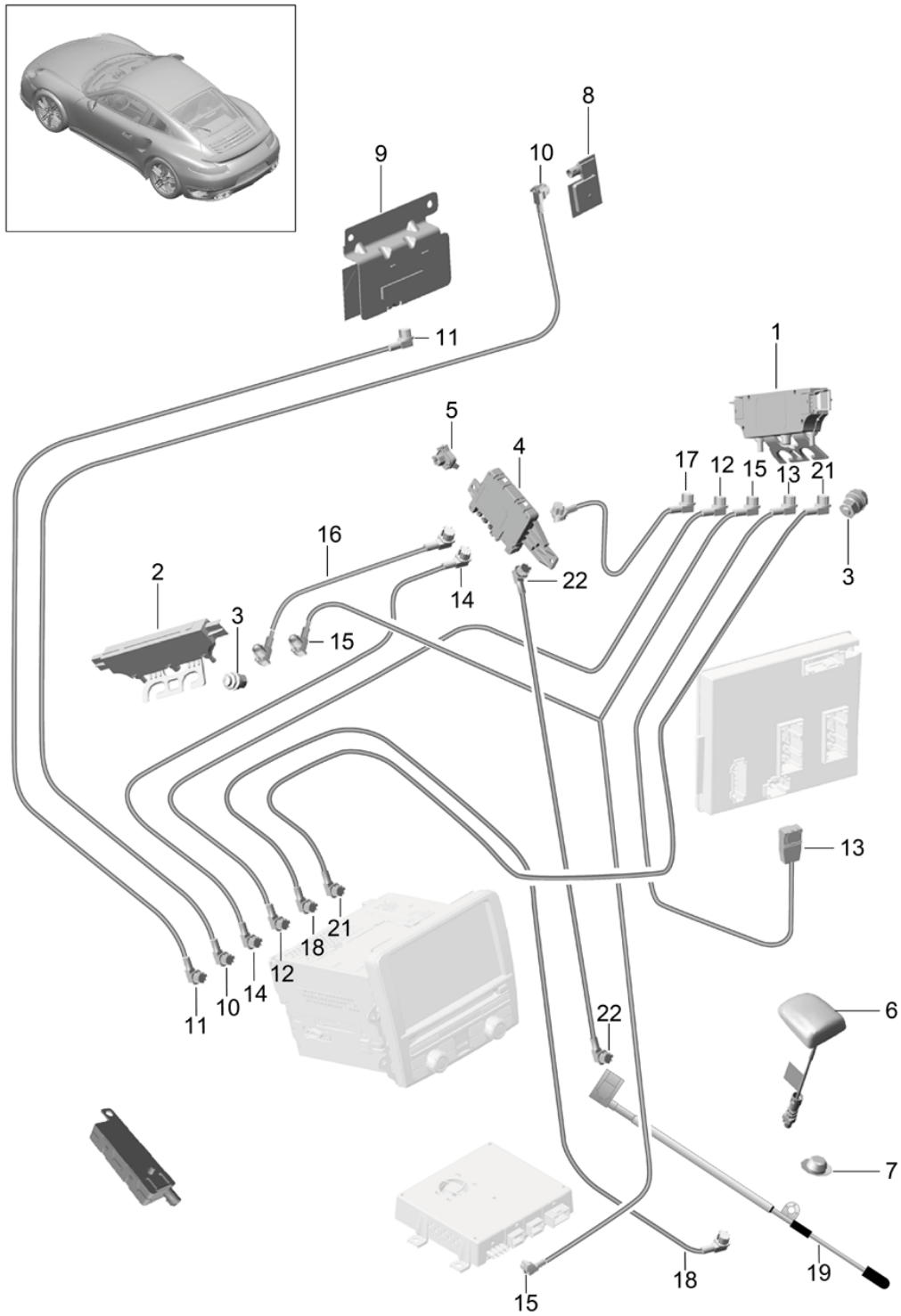


Model: 991T13 Model life 2014>>

Pos	Part Number	Description	Remark	Qty	Model
		Preparation Navigation system Japan D >> - MJ 2016			PR:675
1	991 642 323 00	Front frame		1	PR:675
	991 642 323 00 A05	Matt black			
2	991 642 327 01	Retaining frame		1	PR:675
3	999 591 243 01	Clamping washer		4	PR:675
4	999 073 498 01	fillister hd. bolt M 5 X 20		4	PR:675
5	991 642 329 00	Bracket D >> - MJ 2014		1	PR:675
	991 642 329 00 1E0	Black Card reader Glove box			
5	991 642 333 00	Bracket D - MJ 2015>>		1	PR:675
	991 642 333 00 1E0	Black Card reader Glove box			
-	7PP 035 500	Aerial ETC D >> - MJ 2014		1	PR:675
-	5C5 919 853	'DSRC' antenna S DRC D - MJ 2015>>		1	PR:675
6	7PP 971 324 B	Adapter cable for CAN bus - CAN -		1	PR:675
7	999 591 946 03	Clamping washer		1	PR:675
8	991 646 311 02	microphone		1	PR:675
9	991 612 067 50	Connecting line microphone Control panel		1	PR:675
10	7PP 035 504 A	Aerial Navigation system		1	PR:675
11	991 612 066 50	Aerial connection line Navigation system Control panel		1	PR:675
12	991 647 109 01	Aerial amplifier A-pillar	left	1	PR:675
(12)	991 647 110 01	Aerial amplifier A-pillar	right	1	PR:675
13	991 612 065 00	Connecting line Aerial amplifier Control panel Radio unit	right	1	PR:675
(13)	991 612 062 50	Connecting line Aerial amplifier Control panel	left	1	PR:675
(13)	991 612 063 50	TV Connecting line Aerial amplifier Control panel	left	1	PR:675
(13)	991 612 064 00	TV Connecting line Aerial amplifier Control panel	right	1	PR:675
(13)	997 612 047 25	TV Aerial connection line - VICS BEACON - Control panel		1	PR:675

Model: 991T13

Model life 2014>>



Model: 991T13

Model life 2014>>

Pos	Part Number	Description	Remark	Qty	Model
1	991 647 106 00	Aerial amplifier Aerial Connecting line D >> - MJ 2016 Aerial amplifier	right	1	PR:692,-440
(1)	991 647 118 00	Aerial amplifier A-pillar	right	1	PR:440,665, -676
(1)	991 647 120 01	Aerial amplifier A-pillar	right	1	PR:440,665, 676
2	991 647 117 00	Aerial amplifier A-pillar	left	1	PR:440,665, -676
(2)	991 647 127 00	Aerial amplifier A-pillar	left	1	PR:440,665, 691,-676
(2)	991 647 119 01	Aerial amplifier A-pillar	left	1	PR:440,665, 676
3	999 516 032 01	Hexagon nut		4	
4	991 618 122 00	Control unit		1	PR:440
5	991 647 318 00	Clamp		2	PR:440
6	991 647 150 02	Aerial SDARS primed		1	
7	999 703 462 40	End cap		1	PR:686,690
8	7PP 035 504 A	Aerial GPS		1	PR:672
(8)	991 647 053 01	Aerial GPS		1	PR:674
9	991 647 125 00	Telephone aerial		1	PR:666
(9)	991 647 063 01	Telephone aerial		1	PR:674
(9)	7PP 035 503 A	Telephone aerial		1	
10	991 612 022 50	Aerial connection line GPS To Control panel Navigation system		1	PR:672
10	991 612 037 50	Aerial connection line GPS To Control panel Navigation system		1	PR:674
11	991 612 023 50	Connecting line Aerial Telephone To Control panel Navigation system		1	PR:666
11	991 612 023 75	Connecting line Aerial Telephone To Control panel Navigation system		1	
12	991 612 033 00	Connecting line Radio unit To Aerial amplifier A-pillar	right	1	PR:696,-440
13	991 612 013 00	Connecting line Control unit Electronics Front end To Aerial amplifier	right lhd	1	PR:098,524, 525

Model: 991T13 Model life 2014>>

Pos	Part Number	Description	Remark	Qty	Model
(13)	991 612 013 50	A-pillar Connecting line Control unit Electronics Front end To Aerial amplifier	right rhd	1	PR:099,524, 525
14	991 612 016 00	A-pillar Connecting line Control unit To Control panel Navigation system		1	PR:440,665
15	991 612 027 00	Connecting line Receiving part TV To Aerial amplifier	right lhd left	1	PR:098,676
(15)	991 612 027 50	A-pillar and Connecting line Receiving part TV To Aerial amplifier	right rhd left	1	PR:099,676
16	991 612 014 00	A-pillar and Connecting line Aerial amplifier A-pillar To Control unit	left lhd	1	PR:098,440
(16)	991 612 014 50	Connecting line Aerial amplifier A-pillar To Control unit	left rhd	1	PR:099,440
17	991 612 015 00	Connecting line Aerial amplifier A-pillar To Control unit	right lhd	1	PR:098,440
(17)	991 612 015 50	Connecting line Aerial amplifier A-pillar To Control unit	right rhd	1	PR:099,440
18	991 612 021 00	Aerial connection line  To Control panel Navigation system		1	COUPE PR:686,690
21	991 612 073 50	Connecting line Aerial amplifier Digital Radio unit To Control panel PCM		1	PR:691
22	991 612 038 00	Connecting line Aerial GSM To		1	

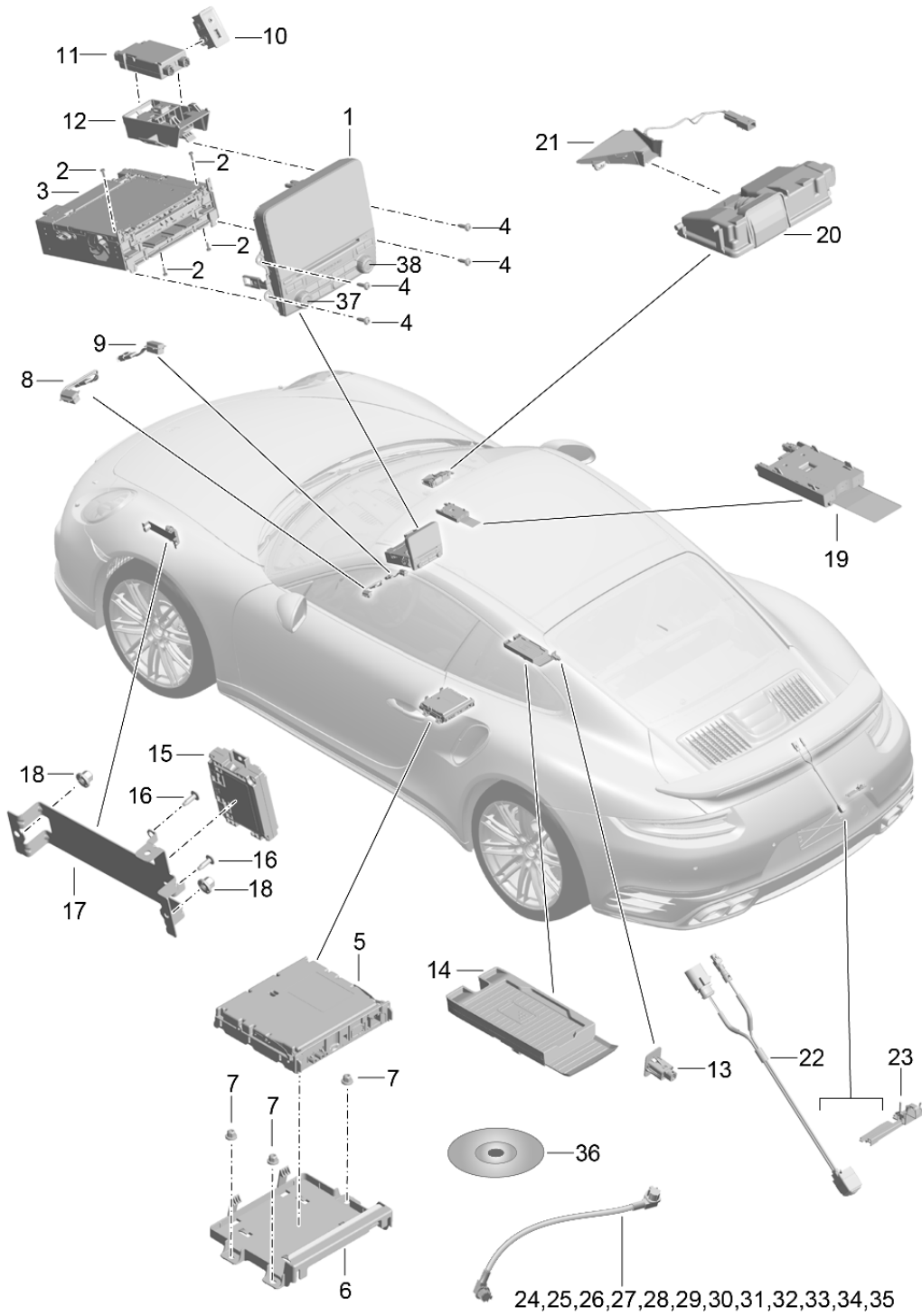
Model: 991T13

Model life 2014>>

Pos	Part Number	Description	Remark	Qty	Model
		Control unit VTS vehicle tracking			

Model: 991T13

Model life 2014>>



Model: 991T13

Model life 2014>>

Pos	Part Number	Description	Remark	Qty	Model
1	9P1 919 606 D	Screen Central computer Navigation TV microphone Multimedia interface Coupler box Camera Connecting line D - MJ 2017>> display		1	PR:I8L,9ZC, 9ZK
(1)	9P1 919 606 D DML 9P1 919 606 X	Matt Black/hi-gloss chrome display		1	PR:I8L,9ZC, 9ZK
(1)	9P1 919 606 X DML 9P1 919 607 B	Matt Black/hi-gloss chrome display		1	PR:I8L,9ZE, 9ZX
(1)	9P1 919 607 B DML 9P1 919 607 X	Matt Black/hi-gloss chrome display		1	PR:I8L,9ZE, 9ZX
2	9P1 919 607 X DML 9A7 008 064 00	Matt Black/hi-gloss chrome flat round head bolt M 2,5 X 10		4	
3	9P1 035 035 D	Central computer		1	PR:ER1,QU1, QV3,9ZC,9ZK
(3)	9P1 035 035 X	Central computer		1	PR:ER1,QU1, QV3,9ZC,9ZK
(3)	9P1 035 036 D	Central computer		1	PR:ER1,QV0, QV1,9ZC,9ZK
(3)	9P1 035 036 X	Central computer		1	PR:ER1,QV0, QV1,9ZC,9ZK
(3)	9P1 035 037 D	Central computer		1	PR:ER1,QU1, QV3,9ZE,9ZX
(3)	9P1 035 037 X	Central computer		1	PR:ER1,QU1, QV3,9ZE,9ZX
(3)	9P1 035 038 D	Central computer		1	PR:ER1,QV0, QV1,9ZE,9ZX
(3)	9P1 035 038 X	Central computer		1	PR:ER1,QV0, QV1,9ZE,9ZX
(3)	9P1 035 039 D	Central computer		1	PR:ER2,QV0, QV1,9ZC,9ZK
(3)	9P1 035 039 X	Central computer		1	PR:ER2,QV0, QV1,9ZC,9ZK
(3)	9P1 035 040 D	Central computer		1	PR:ER2,QV0, QV1,9ZE,9ZX
(3)	9P1 035 040 X	Central computer		1	PR:ER2,QV0, QV1,9ZE,9ZX
(3)	9P1 035 041 D	Central computer		1	PR:ER2,QU1, QV3,9ZC,9ZK
(3)	9P1 035 041 X	Central computer		1	PR:ER2,QU1, QV3,9ZC,9ZK
(3)	9P1 035 868 D	Central computer		1	PR:ER2,QU1, QV3,9ZE,9ZX
(3)	9P1 035 868 X	Central computer		1	PR:ER2,QU1, QV3,9ZE,9ZX
(3)	9P1 035 890 D	Central computer		1	PR:ER3,9ZC, 9ZK
(3)	9P1 035 890 X	Central computer		1	PR:ER3,9ZC, 9ZK
(3)	9P1 035 892 D	Central computer		1	PR:ER3,9ZE, 9ZX
(3)	9P1 035 892 X	Central computer		1	PR:ER3,9ZE, 9ZX



Model: 991T13

Model life 2014>>

Pos	Part Number	Description	Remark	Qty	Model
(3)	9P1 035 893 D	Central computer		1	9ZX PR:ER4,QV0
(3)	9P1 035 893 X	Central computer		1	PR:ER4,QV0
(3)	9P1 035 894 D	Central computer		1	PR:ER6,9ZC, 9ZK
(3)	9P1 035 894 X	Central computer		1	PR:ER6,9ZC, 9ZK
(3)	9P1 035 895 D	Central computer		1	PR:ER6,9ZE, 9ZX
(3)	9P1 035 895 X	Central computer		1	PR:ER6,9ZE, 9ZX
(3)	9P1 035 896 D	Central computer		1	PR:ER8,9ZE, 9ZX
(3)	9P1 035 896 X	Central computer		1	PR:ER8,9ZE, 9ZX
(3)	9P1 035 897 D	Central computer		1	PR:ER5,9ZC, 9ZK
(3)	9P1 035 897 X	Central computer		1	PR:ER5,9ZC, 9ZK
(3)	9P1 035 898 D	Central computer		1	PR:ER5,9ZE, 9ZX
(3)	9P1 035 898 X	Central computer		1	PR:ER5,9ZE, 9ZX
(3)	9P1 035 899 D	Central computer		1	PR:ER7,9ZE, 9ZX
(3)	9P1 035 899 X	Central computer		1	PR:ER7,9ZE, 9ZX
4	999 073 498 01	fillister hd. bolt M5X20		4	
5	9A7 919 191 00	TV tuner TV		1	PR:ER1,ER2, ER8,QU1,QV1
(5)	9A7 919 192 00	TV tuner TV		1	PR:ER6,QU1, QV1
(5)	9A7 919 146 00	TV tuner TV		1	PR:ER7,QU1, QV1
(5)	9A7 919 129 00	TV tuner TV		1	PR:ER5,QU1, QV1
6	9P1 919 159	Bracket Receiving part TV		1	PR:QU1,QV1
7	999 049 033 40	Plastic nut		3	
8	991 646 309 02	microphone	left	1	PR:9VJ,9VL, 9ZC,9ZE,9ZK, 9ZX
9	991 646 313 02	microphone	right	1	PR:I8L
11	9A7 642 222 00	Connection for USB and AUX-IN		1	PR:UI2,-ER5
11	9A7 642 222 00	Connection for USB and AUX-IN		1	PR:UI4,ER5
(11)	9A7 642 222 20	Multimedia interface Connection for USB and AUX-IN		1	PR:UI4-ER5
(10)	9P1 035 222 B	USB connector		1	PR:UI2
11	9A7 642 953 00	USB hub		1	PR:UI2,ER1, ER9
(11)	9A7 642 953 02	USB distributor		1	PR:UI2,ER5
12	9P1 035 925 A	Bracket for USB hub		1	PR:UI2,ER1, ER2,ER3,ER4, ER9
13	9P1 035 222	USB connector		1	PR:UI2
14	9P1 035 502 A	Coupler box		1	PR:9ZC
	9P1 035 502 A 1E0	Black			
15	9A7 646 456 00	Amplifiers Mobile		1	PR:9ZC,9ZE
16	999 073 459 01	fillister hd. bolt		2	
17	9P1 035 205	Cellphone holder		1	PR:9ZC

Model: 991T13

Model life 2014&gt;&gt;

Pos	Part Number	Description	Remark	Qty	Model
18	999 049 033 40	Amplifiers Plastic nut		2	
19	9A7 919 813 00	chip card reader for road toll system		1	PR:ER5
19	9A7 919 813 A	D >> - 15.01.2018 chip card reader for road toll system		1	PR:ER5
20	7PP 980 653 D	Camera Windscreen	9A7 035 504 use also for retrofitting:	1	PR:631,632, 852
21	991 555 715 00	Trim with: heater		1	PR:631,632, 852
22	95B 980 551 K	Reversing camera		1	PR:638
23	991 642 222 00	Support for reversing camera Connector		1	PR:638
24	9P1 979 001	Connecting line Coupler box Centre console 800 MM		1	PR:9ZC
25	9P1 979 002	Connecting line USB adapter Centre console 1025 MM		1	PR:UI2
26	9P1 979 018	Connecting line USB adapter Centre console 600 MM		1	PR:UI2
27	9P3 979 001	Connecting line Combi-instrument Centre console 730 MM		1	/LL PR:UI2,098
28	9P4 979 001	Connecting line Combi-instrument Centre console 1100 MM		1	/RL PR:UI2,099
29	9P1 979 008	Connecting line Reversing camera 1350 MM		1	PR:638
30	9P1 979 016	Connecting line Reversing camera 4100 MM		1	PR:638
31	9P1 979 022	Connecting line Reversing camera Trim 950 MM	rear	1	PR:638
32	9P1 979 004	Connecting line USB adapter USB distributor 850 MM		1	PR:ER1,ER2, ER3,ER4,ER6, ER7,ER8,I8L, UI2
33	9P1 979 005	Connecting line USB adapter Central computer 890 MM		1	PR:ER5
34	9P4 979 022	Connecting line USB distributor Central computer 850 MM		1	PR:ER1,ER2, ER3,ER4,ER6, ER7,ER8,I8L, UI2
35	9P1 970 349	Connecting line Screen Central computer 250 MM		1	

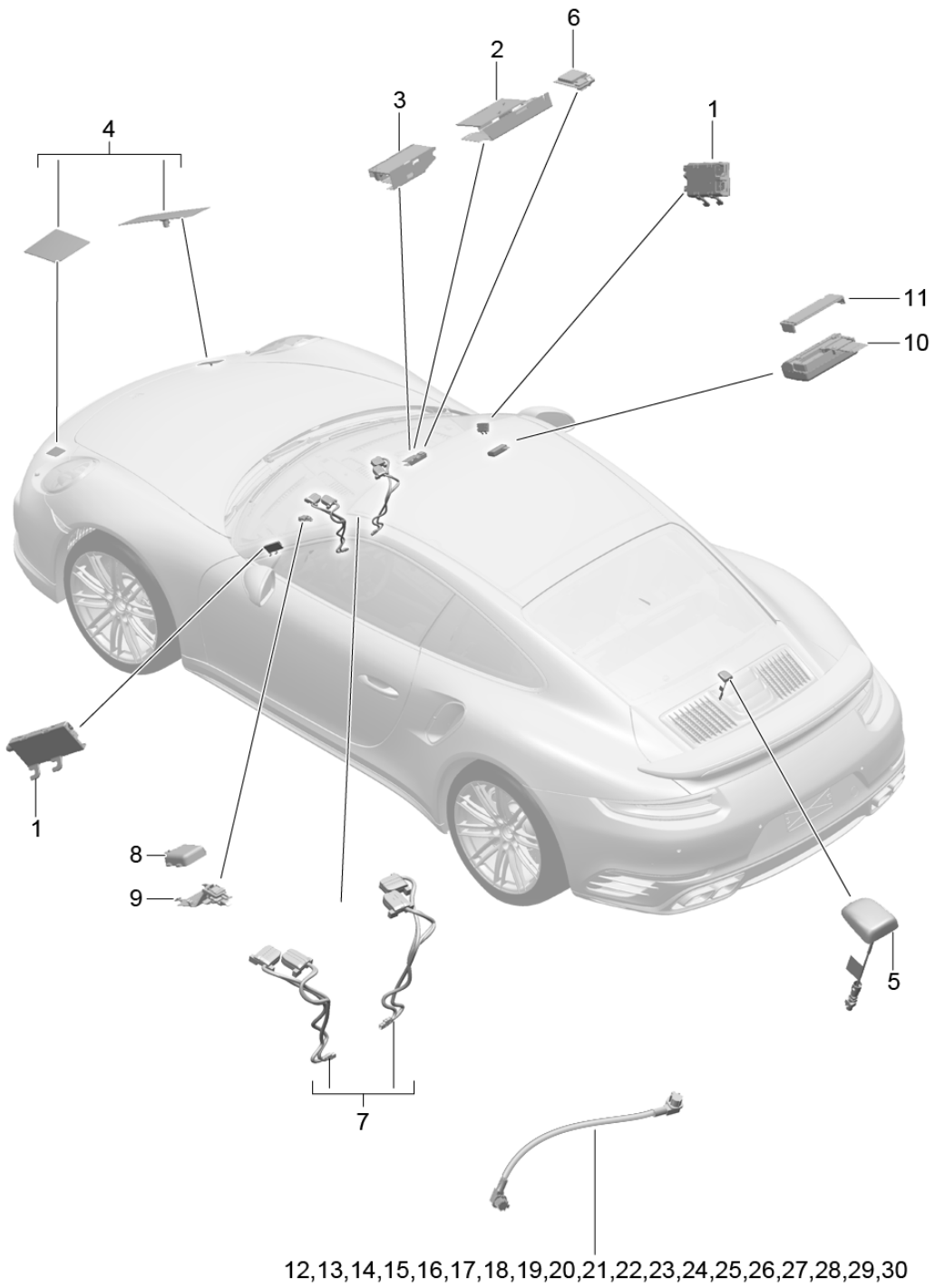
Model: 991T13

Model life 2014&gt;&gt;

Pos	Part Number	Description	Remark	Qty	Model
36	958 919 855 00	CD-ROM for electronic driver's logbook		1	PR:9NY
37	9P1 919 069	Rot. knob Screen	left	1	
38	9P1 919 070	Rot. knob Screen	right	1	

Model: 991T13

Model life 2014>>



Model: 991T13 Model life 2014>>

Pos	Part Number	Description	Remark	Qty	Model
1	9P1 035 225	Aerial Lines D - MJ 2017>> Aerial amplifier A-pillar	right	1	/R PR:ER1,ER2, ER3,ER4,ER6, ER7,ER8,QU8, QV0,QV3
(1)	9P1 035 225 A	Aerial amplifier A-pillar	right	1	/R PR:ER5,QV0
(1)	9P1 035 225 C	Aerial amplifier A-pillar	right	1	/R PR:ER1,ER2, ER3,ER4,ER6, ER7,ER8,QU1, QV1
(1)	9P1 035 225 D	Aerial amplifier A-pillar	right	1	/R PR:ER5,QV1
1	9P1 035 225 B	Aerial amplifier A-pillar	left	1	/L PR:ER1,ER2, ER3,ER4,ER6, ER7,ER8,QU8, QV0,QV3
1	9P1 035 225 E	Aerial amplifier A-pillar	left	1	/L PR:ER1,ER2, ER3,ER4,ER6, ER8,QV1
1	9P1 035 225 F	Aerial amplifier A-pillar	left	1	/L PR:ER5,QV1
1	9P1 035 225 G	Aerial amplifier A-pillar	left	1	/L PR:ER1,ER2, ER3,ER4,ER6, ER8,QU1
2	971 035 503	Telephone aerial		1	PR:9ZC,9ZK, -631,-632,
3	971 035 503 A	Telephone aerial		1	PR:9ZC,9ZK, 631,632,852
4	971 035 510 B	Data Telephone aerial		2	PR:9ZC,-XAS, -XAT
(4)	971 035 510 B	Front apron Telephone aerial		1	PR:9ZK,-XAS, -XAT
5	9P1 035 510	Front apron Aerial Digital Radio unit		1	PR:QU8,789
6	7PP 035 504 A	Aerial Navigation		1	PR:7UG
7	991 647 053 01	Aerial VTS vehicle tracking		1	PR:7G9,7I0, 7I2
8	9A7 647 504 00	Aerial ETC		1	PR:ER5
9	9P1 035 755	Retainer for aerial ETC		1	PR:ER5
10	9A7 647 504 10	Aerial VICS		1	PR:ER5
10	9A7 035 504	D >> - 15.01.2018 Aerial VICS		1	PR:ER5
		use also for retrofitting:	9A7.919.813.A		
11	9A7 647 720 00	D - 16.01.2018>> Retainer for aerial		1	PR:ER5

Model: 991T13 Model life 2014>>

Pos	Part Number	Description	Remark	Qty	Model
12	9P4 979 002	VICS Single wire Aerial		1	PR:ER5
13	9P3 979 008	ETC Single wire Aerial		1	PR:ER5,I8L, QV0
(13)	9P3 979 009	Single wire Aerial	right	1	/R PR:ER5,I8L, QV1
(13)	9P3 979 013	Single wire Aerial	left	1	/L PR:ER5,I8L, QV1
14	9P3 979 023	Single wire Aerial GSM		1	PR:7G9,7I0, 7I2
15	9P4 979 005	Single wire Aerial GPS		1	PR:7UG
16	9P4 979 006	Single wire Aerial GPS		1	PR:7G9,7I0, 7I2
17	9P3 979 007	VTS vehicle tracking Single wire Aerial GSM		1	PR:7G9,7I0, 7I2
18	9P3 979 018	VTS vehicle tracking Single wire Aerial GSM		1	PR:9ZC,9ZK, -631,-632, -852
19	9P3 979 019	Single wire Aerial GSM		1	PR:9ZC,9ZK, 631,632,852
20	9P1 979 010	Single wire Aerial Digital Radio unit		1	PR:QU8
(20)	9P1 979 011	Single wire Aerial Digital Radio unit		1	PR:QU8
21	9P1 979 015	Single wire Aerial Centre console VTS vehicle tracking		1	PR:7G9,7I0, 7I2
22	9P3 979 010	Single wire Aerial		1	PR:ER1,ER2, ER3,ER4,ER6, ER7,ER8,I8L, QU8,QV0,QV3
23	9P3 979 011	Single wire Aerial		1	PR:ER1,ER2, ER3,ER4,ER6, ER8,I8L,QU1, QV1
24	9P3 979 012	Single wire Aerial		1	PR:ER1,ER2, ER3,ER4,ER6, ER8,I8L,QU1
25	9P3 979 014	Single wire Aerial DAB	lhd	1	PR:QV3
25	9P4 979 014	Single wire Aerial DAB	rhd	1	PR:QV3
26	9P3 979 015	Single wire Aerial		1	PR:ER1,ER2, ER3,ER4,ER6,

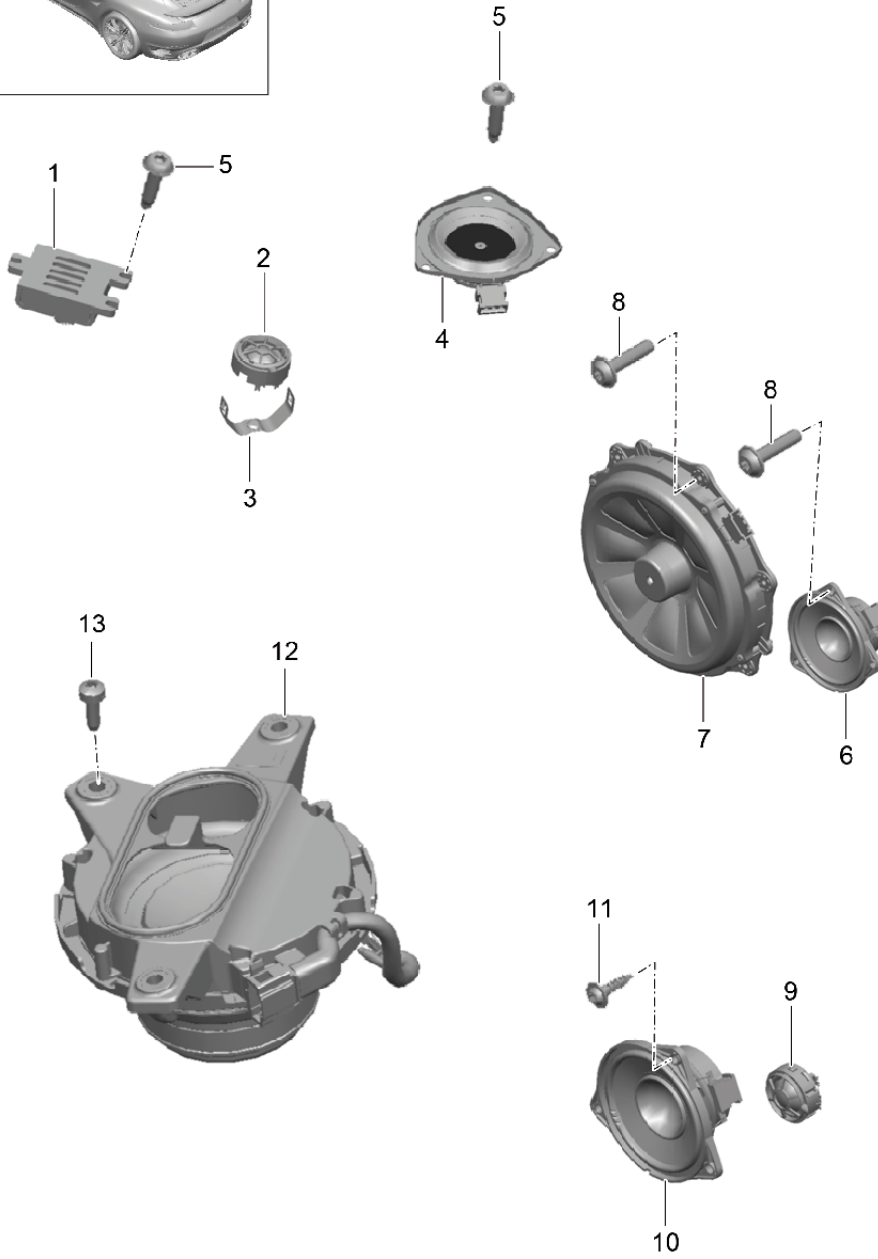
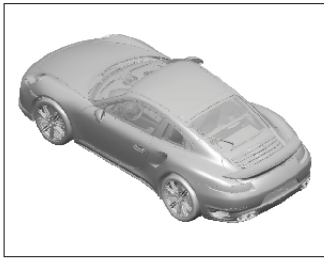
Model: 991T13

Model life 2014>>

Pos	Part Number	Description	Remark	Qty	Model
		without:			ER8, I8L, QV1
27	9P3 979 016	DAB Single wire Aerial		1	PR:9ZC
28	9P3 979 017	FRONT luggage compartment Single wire Aerial Centre console Amplifiers		1	PR:9ZC
29	9P1 979 021	Single wire Aerial Telephone		1	PR:9ZC
30	9P1 979 020	Front apron Single wire Aerial Telephone Front apron		1	PR:9ZC,9ZK

Model: 991T13

Model life 2014>>





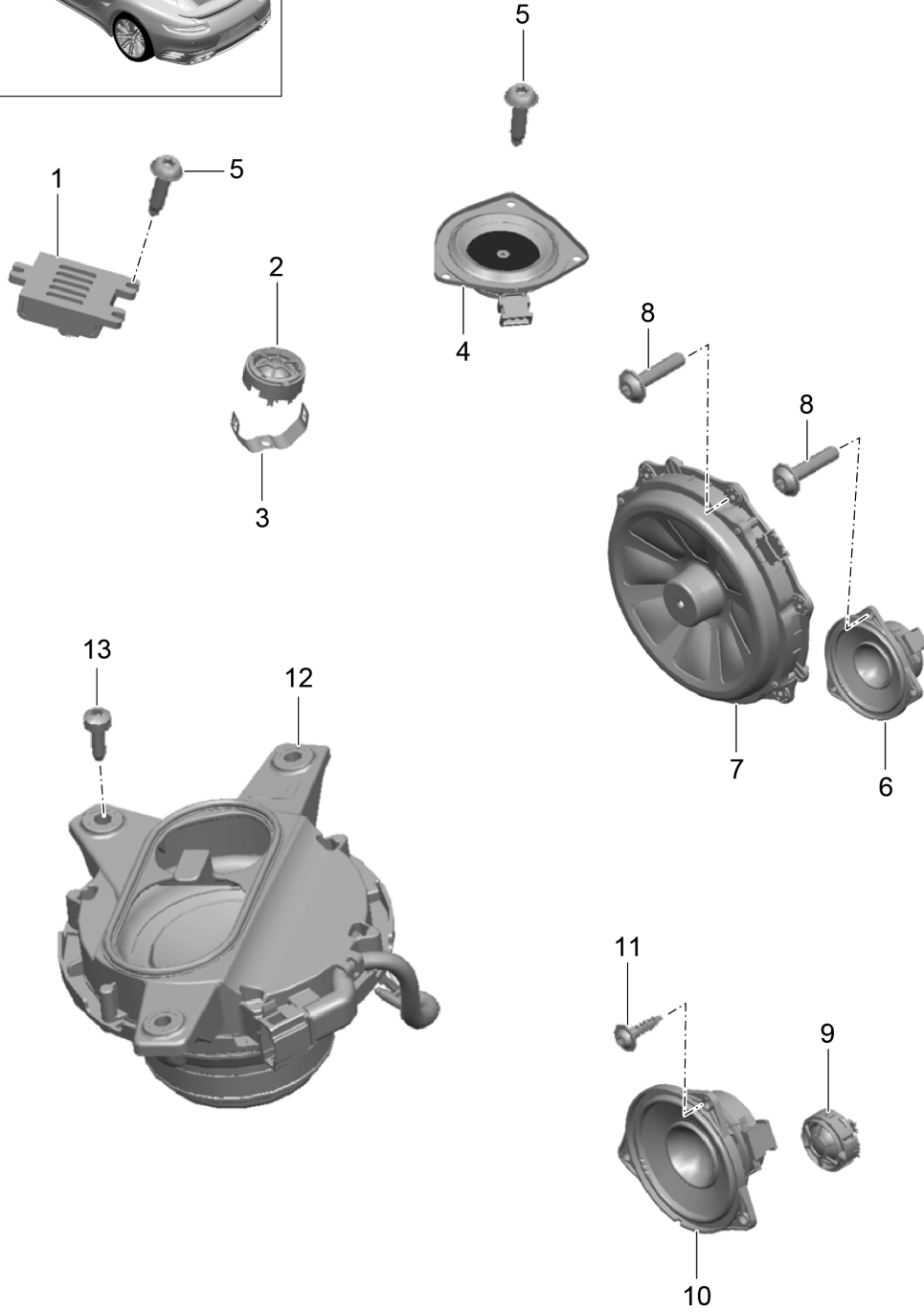
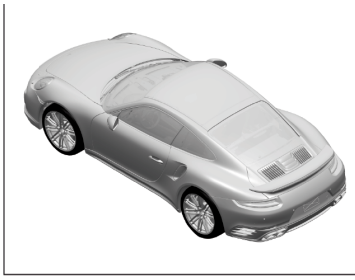
Model: 991T13

Model life 2014>>

Pos	Part Number	Description	Remark	Qty	Model
		Loudspeaker D >> - MJ 2016			
1	7PP 035 411 E	Treble speaker dashboard		2	PR:682
2	7PP 035 411 D	Treble speaker dashboard		2	PR:680
3	991 552 775 00	Retaining bar Treble speaker		2	PR:680
4	7PP 035 828 E	Loudspeaker dashboard	center	1	PR:682
(4)	7PP 035 828 D	Loudspeaker dashboard	center	1	PR:680
5	999 073 557 01	fillister hd. bolt M 5 X 20		7	
6	7PP 035 415 G	Mid tone speaker Door		2	PR:682
(6)	7PP 035 415 F	Mid tone speaker Door		2	PR:680
7	7PP 035 454 H	Bass loudspeaker Door		2	PR:682
(7)	7PP 035 454 K	Bass loudspeaker Door		2	PR:680
(7)	7PP 035 454 P	Bass loudspeaker Door		2	
8	999 919 209 09	fillister hd. bolt 5,0 X 22,0		12	
9	7PP 035 412 A	Treble speaker	rear	2	PR:682
(9)	7PP 035 411 D	Treble speaker	rear	2	PR:680
10	7PP 035 415 G	Mid tone speaker	rear	2	PR:682
(10)	7PP 035 415 F	Mid tone speaker	rear	2	PR:680
11	999 919 250 01	Oval-head screw 4,0 X 16,0		6	
12	991 645 575 00	Subwoofer	lhd	1	PR:098,682
(12)	991 645 565 00	Subwoofer	lhd	1	PR:098,680
(12)	991 645 576 00	Subwoofer	rhd	1	PR:099,682
(12)	991 645 566 00	Subwoofer	rhd	1	PR:099,680
13	999 073 382 01	Bolt with washer M 6 X 20		3	PR:680,682

Model: 991T13

Model life 2014>>



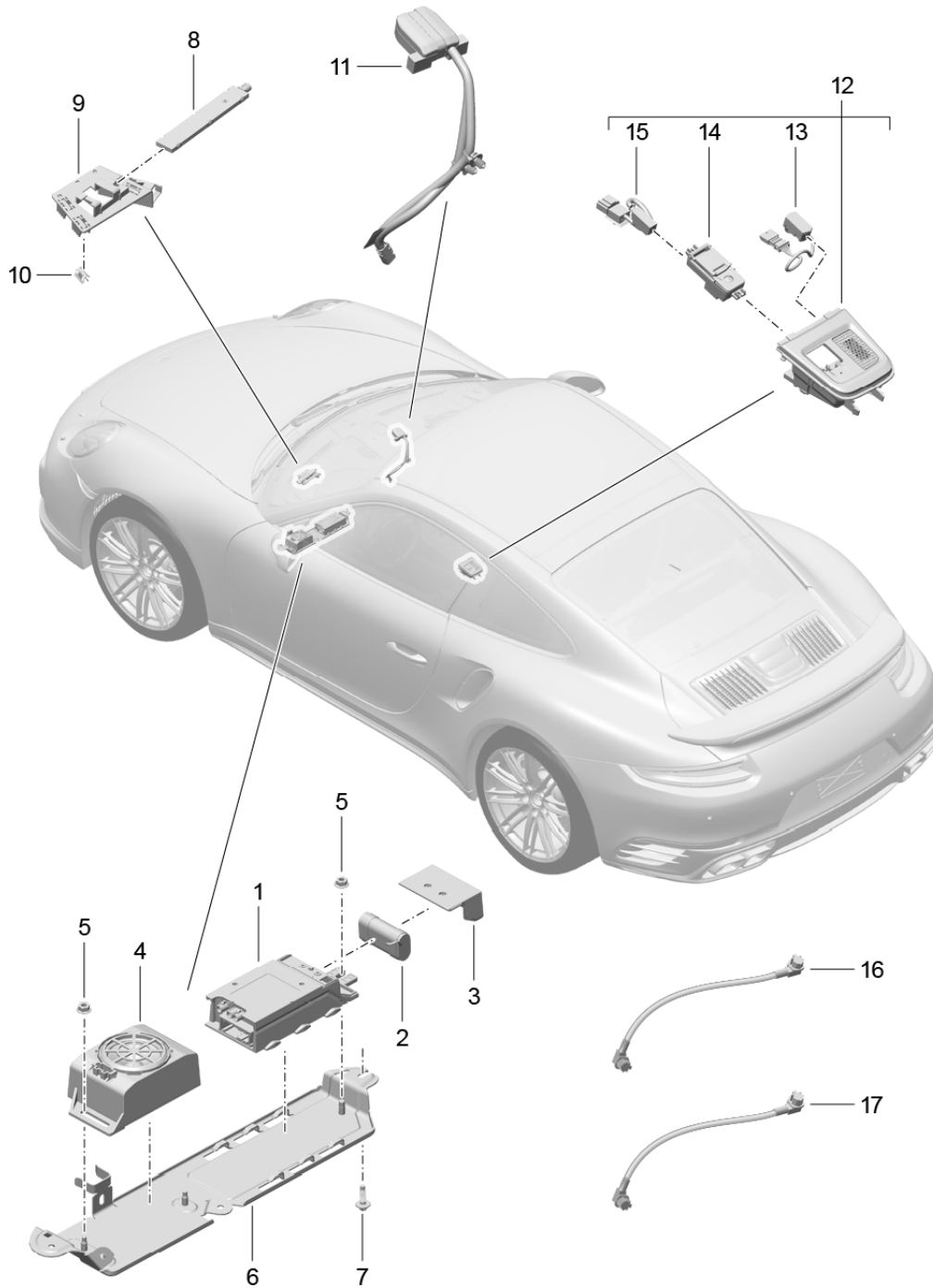
Model: 991T13

Model life 2014>>

Pos	Part Number	Description	Remark	Qty	Model
1	7PP 035 411 E	Loudspeaker D - MJ 2017>> Treble speaker dashboard		2	PR:9VJ
2	7PP 035 411 D	Treble speaker dashboard		2	PR:9VL
3	991 552 775 00	Retaining bar Treble speaker		2	PR:9VL
4	7PP 035 828 E	Loudspeaker dashboard	center	1	PR:9VJ
(4)	7PP 035 828 D	Loudspeaker dashboard	center	1	PR:9VL
5	999 073 498 01	fillister hd. bolt M 5 X 20		9	
6	7PP 035 415 G	Mid tone speaker Door		2	PR:9VJ
(6)	7PP 035 415 F	Mid tone speaker Door		2	PR:9VL
7	7PP 035 454 H	Bass loudspeaker Door		2	PR:9VJ
(7)	9A7 645 555 14	Bass loudspeaker Door		2	PR:9VL
8	999 919 209 09	fillister hd. bolt 5,0 X 22,0		12	
9	7PP 035 411 D	Treble speaker	rear	2	PR:9VL
(9)	7PP 035 411 E	Treble speaker	rear	2	PR:9VJ
10	7PP 035 415 G	Mid tone speaker	rear	2	PR:9VJ
(10)	7PP 035 415 F	Mid tone speaker	rear	2	PR:9VL
11	999 919 250 01	Oval-head screw 4,0 X 16,0		6	
12	991 645 575 00	Subwoofer	lhd	1	PR:098,9VJ
(12)	991 645 565 00	Subwoofer	lhd	1	PR:098,9VL
(12)	991 645 576 00	Subwoofer	rhd	1	PR:099,9VJ
(12)	991 645 566 00	Subwoofer	rhd	1	PR:099,9VL
13	999 073 382 01	Bolt with washer M 6 X 20		3	PR:680,682

Model: 991T13

Model life 2014>>



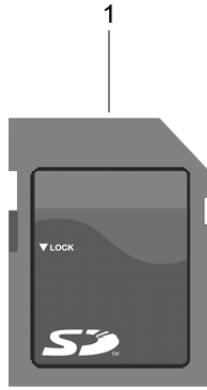
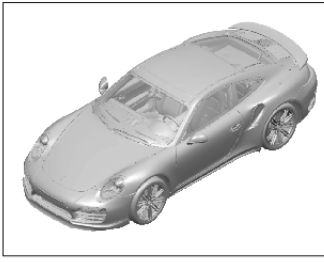
Model: 991T13

Model life 2014>>

Pos	Part Number	Description	Remark	Qty	Model
1	9P1 035 284	Emergency call system control box Communication Box		1	PR:NZ3
2	9P1 915 611	Battery for Communication Box		1	
3	9P1 035 215	Cover for Communication Box		1	
4	7PP 035 709 A	Loudspeaker		1	
5	900 377 010 01	Hexagon nut		4	
6	9P1 035 206	Bracket		4	
7	999 919 278 01	Hexagon head bolt		2	
8	9A7 035 504 00	Aerial GSM		1	
9	9P1 035 525	Retainer for aerial		1	
10	N 107 297 01	U-clip		3	
11	9P1 035 504	Bracket for Aerial GPS		1	
12	982 857 200 982 857 200 A05	Trim for centre console Black	with:	1	PR:-583
13	9P1 035 712	microphone		1	
14	9P1 959 511	Switch		1	
	9P1 959 511 6N3	Black			
15	9P1 971 659	Adapter Line		1	
16	9P1 979 023	Single wire for Aerial GSM 1250 MM Connector housing Black and Connector housing violet		1	
17	9P1 979 024	Single wire for Aerial GPS 1300 MM Connector housing blue and Connector housing Black		1	

Model: 991T13

Model life 2014>>



Model: 991T13

Model life 2014&gt;&gt;

Pos	Part Number	Description	Remark	Qty	Model
1	9P1 909 000 G	SD card For navigation system update D - MJ 2017>> SD memory card for updating the navigation data		1	PR:ER1
1	9P1 909 000 T	D >> - MJ 2017 SD memory card for updating the navigation data		1	PR:ER1
1	9P1 909 000 H	D - MJ 2018>> SD memory card for updating the navigation data		1	PR:ER3,ER4
1	9P1 909 000 AA	D >> - MJ 2017 SD memory card for updating the navigation data		1	PR:ER3,ER4
1	9P1 909 000 J	D - MJ 2018>> SD memory card for updating the navigation data		1	PR:ER2
1	9P1 909 000 AB	D >> - MJ 2017 SD memory card for updating the navigation data		1	PR:ER2
1	9P1 909 000 L	D - MJ 2018>> SD memory card for updating the navigation data		1	PR:ER5
1	9P1 909 000 AD	D >> - MJ 2017 SD memory card for updating the navigation data		1	PR:ER5,IY1
1	9P1 909 000 AH	D - MJ 2018>> - MJ 2018 SD memory card for updating the navigation data		1	PR:ER5,IY2
1	9P1 909 000 N	D - MJ 2018>> - MJ 2018 SD memory card for updating the navigation data		1	PR:ER8
1	9P1 909 000 AF	D >> - MJ 2017 SD memory card for updating the navigation data		1	PR:ER8,IY1
1	9P1 909 000 AK	D - MJ 2018>> - MJ 2018 SD memory card for updating the navigation data		1	PR:ER8,IY2
1	9P1 906 961	D - MJ 2018>> - MJ 2018 SD card Software Central computer		1	PR:ER1,ER2
1	9P1 919 360 B	D >> - MJ 2017 SD card Software Central computer		1	PR:ER1,ER2
1	9P1 906 961 A	D - MJ 2018>> SD card Software Central computer		1	PR:ER3,ER4
1	9P1 919 360 C	D >> - MJ 2017 SD card Software Central computer		1	PR:ER3,ER4
1	9P1 906 961 B	D - MJ 2018>> SD card Software Central computer		1	PR:ER6
1	9P1 919 360	D >> - 08.11.2016 SD card Software Central computer D - 09.11.2016>>		1	PR:ER6

Model: 991T13

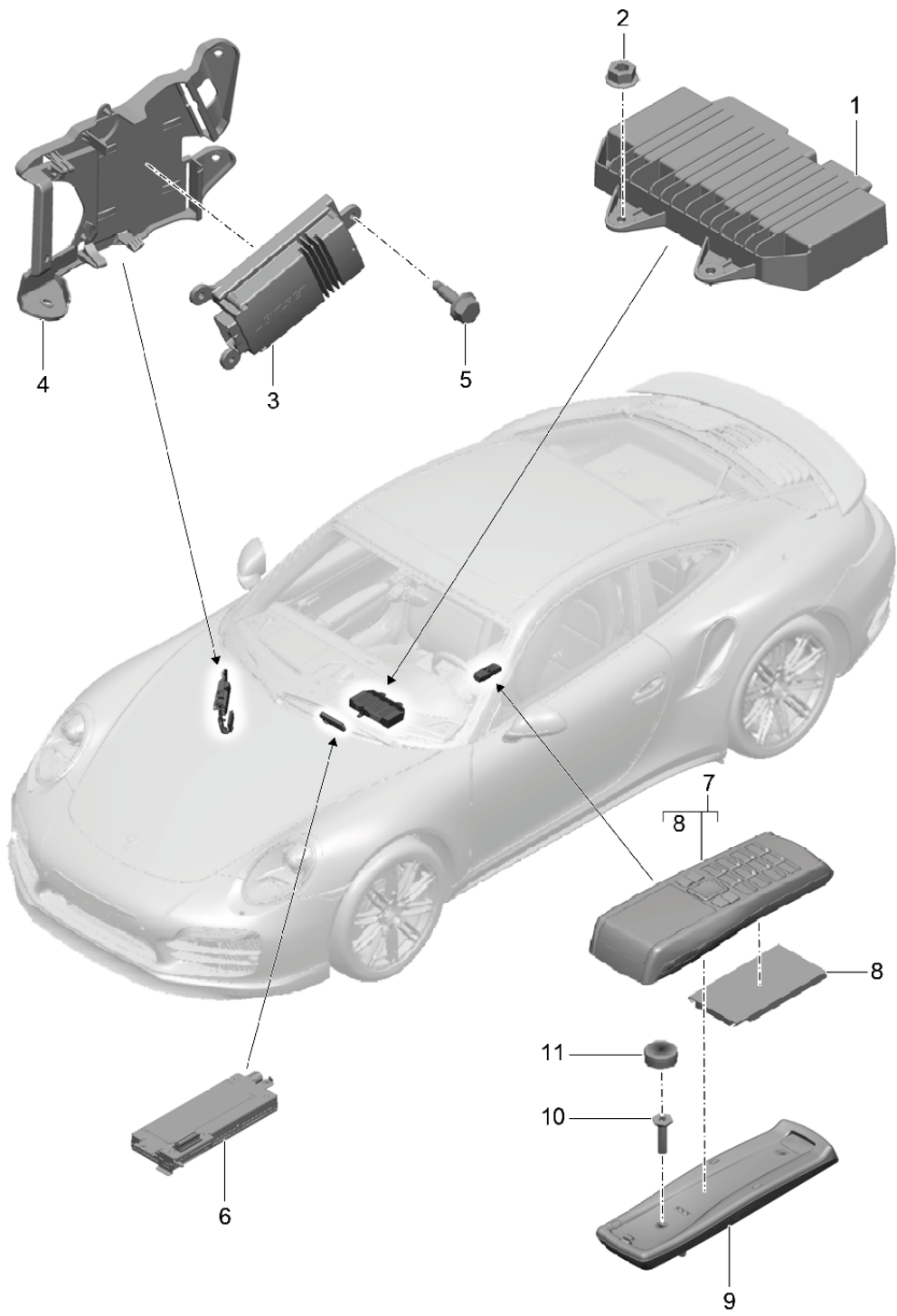
Model life 2014>>

Pos	Part Number	Description	Remark	Qty	Model
1	9P1 919 360 D	D >> - MJ 2017 SD card Software Central computer		1	PR:ER6
1	9P1 919 360 A	D - MJ 2018>> SD card Software Central computer		1	PR:ER5
1	9P1 919 360 E	D >> - MJ 2017 SD card Software Central computer		1	PR:ER5
1	9P1 906 961 D	D - MJ 2018>> SD card Software Central computer		1	PR:ER8
1	9P1 919 360 F	D >> - MJ 2017 SD card Software Central computer		1	PR:ER8
1	9P1 906 961 E	D - MJ 2018>> SD card Software Central computer		1	PR:ER7
1	9P1 919 360 G	D >> - MJ 2017 SD card Software Central computer D - MJ 2018>>		1	PR:ER7



Model: 991T13

Model life 2014>>



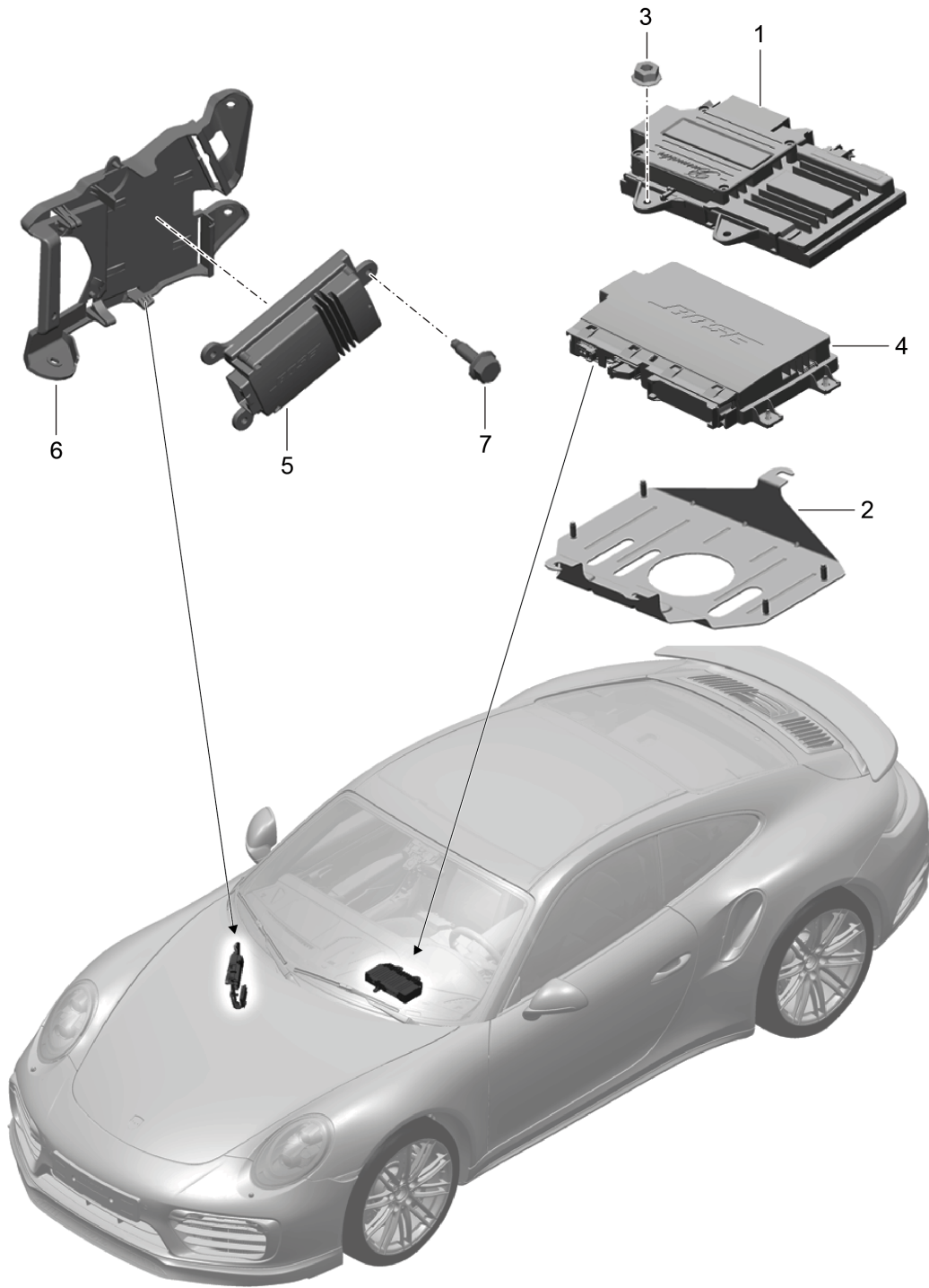
Model: 991T13

Model life 2014>>

Pos	Part Number	Description	Remark	Qty	Model
		Amplifiers Telephone D >> - MJ 2016			
1	7PP 035 223 AA	Amplifiers		1	PR:680,-675, IY2
1	991 645 480 00	Amplifiers		1	PR:675,680
1	991 645 443 02	Amplifiers		1	PR:682
2	999 084 638 01	Hexagon nut M 6		3	
3	991 645 567 00	Additional amplifier Subwoofer		1	PR:680
3	9P1 035 465	Additional amplifier Subwoofer		1	PR:680
(3)	991 645 577 00	Additional amplifier Subwoofer		1	PR:682
4	991 645 521 00	Bracket for subwoofer Additional amplifier	lhd	1	PR:098,680, 682
(4)	991 645 522 00	Bracket for subwoofer Additional amplifier	rhd	1	PR:099,680, 682
5	900 378 317 01	Hexagon bolt M 6 X 25		1	PR:680,682
6	7PP 035 730 B	Control unit for telephone microphone		1	PR:666,IY2
-		see illustration:	911-000		
7	7PP 035 725 C	Telephone controls/receiver		1	PR:669
8	997 646 916 00	Battery		1	PR:669
9	955 646 214 00	Support for cellphone receiver		1	PR:669
10	999 919 230 00	countersunk bolt 3,0 X 10		2	PR:669
11	955 646 311 00	Bungs		2	PR:669

Model: 991T13

Model life 2014>>



Model: 991T13

Model life 2014>>

Pos	Part Number	Description	Remark	Qty	Model
		Amplifiers D - MJ 2017>>			
1	9A7 645 443 10	Amplifiers		1	PR:9VL
2	9P1 035 251 B	Holder for amplifier		1	PR:9VL
3	999 084 638 01	Hexagon nut		4	PR:9VL,9VJ
				3	
4	9P1 035 223 B	Amplifiers		1	PR:9VJ
5	9P1 035 465 A	Additional amplifier Subwoofer		1	PR:9VJ
6	991 645 521 00	Bracket for subwoofer	lhd	1	PR:098,9VJ
(6)	991 645 522 00	Bracket for subwoofer	rhd	1	PR:099,9VJ
		Additional amplifier			
7	900 378 317 01	Hexagon bolt		1	
-		M 6 X 25 microphone			
		see illustration:	911-000		